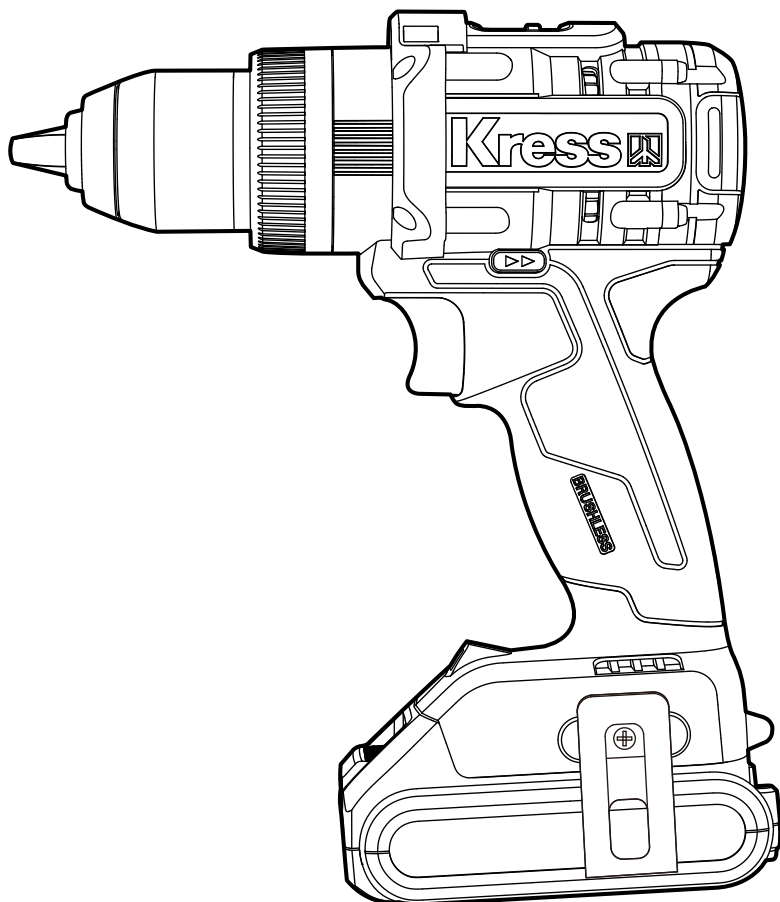


Kress



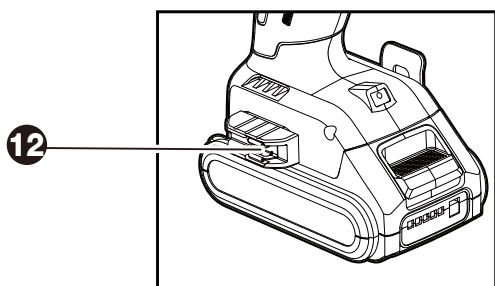
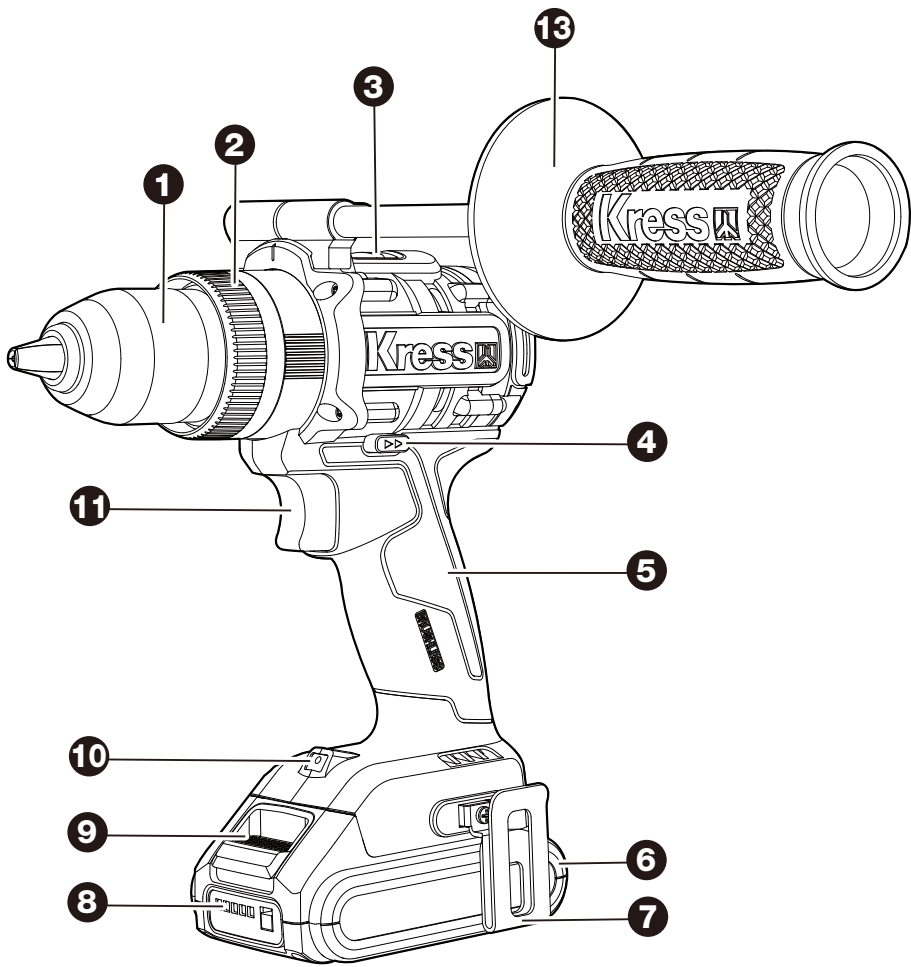
Lithium-Ion brushless impact drill

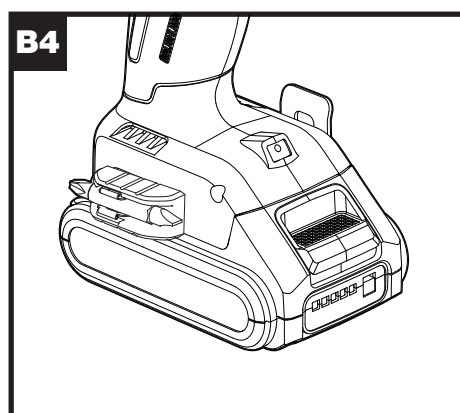
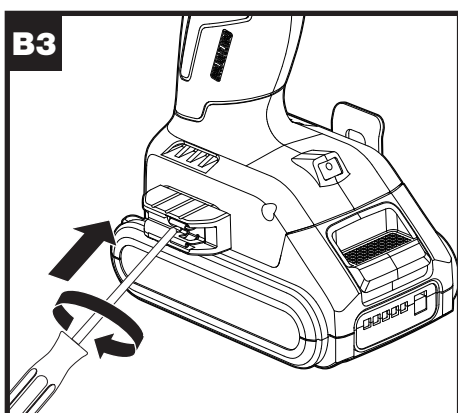
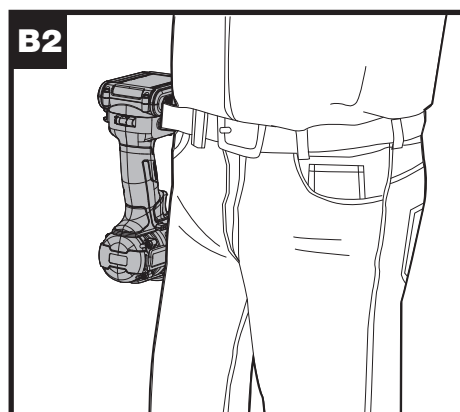
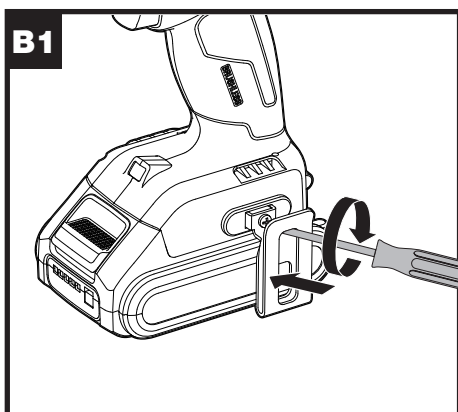
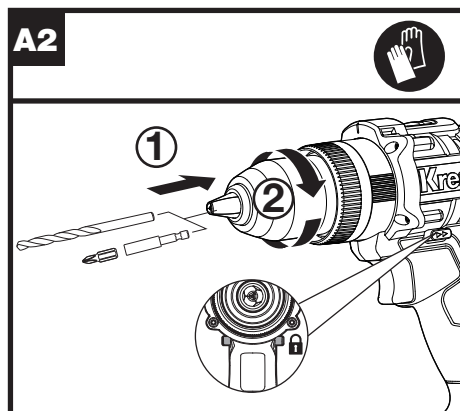
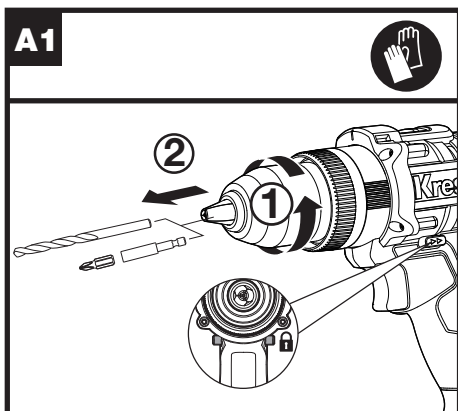
EN P06

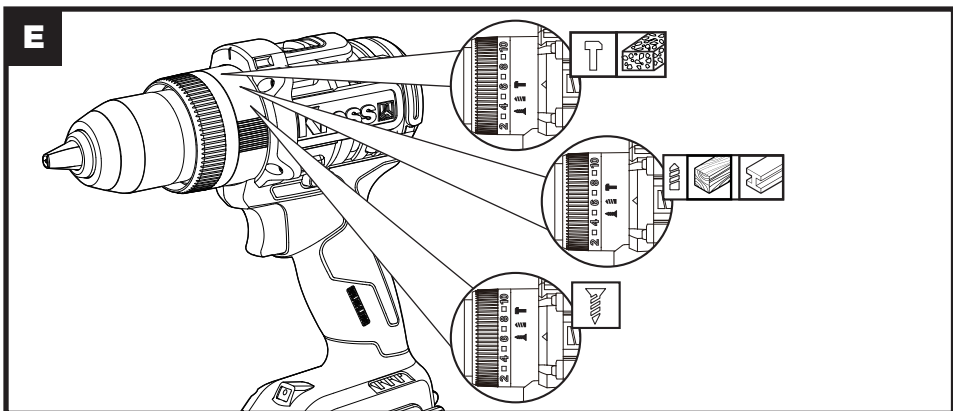
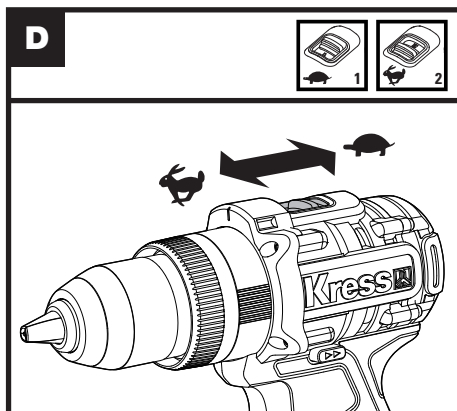
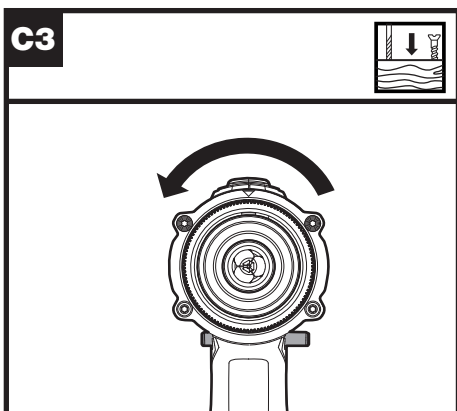
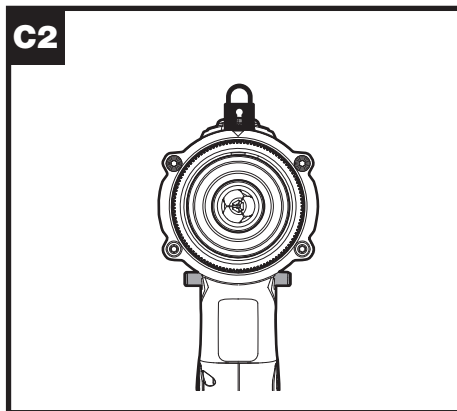
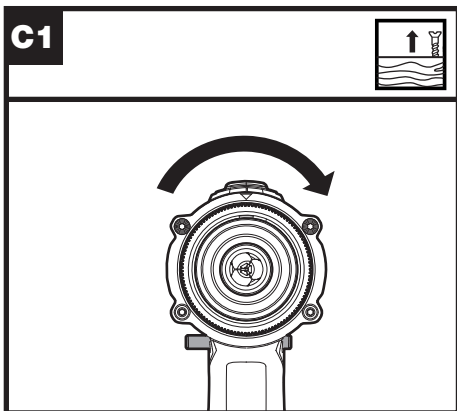
Аккумуляторная ударная дрель-шурупверт

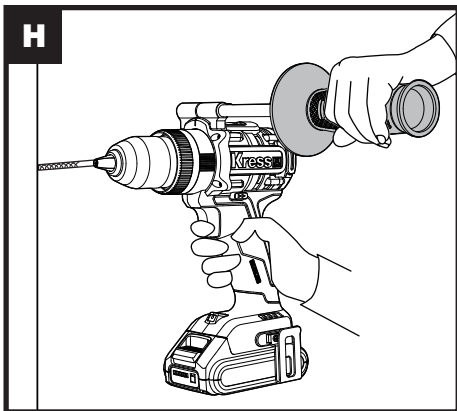
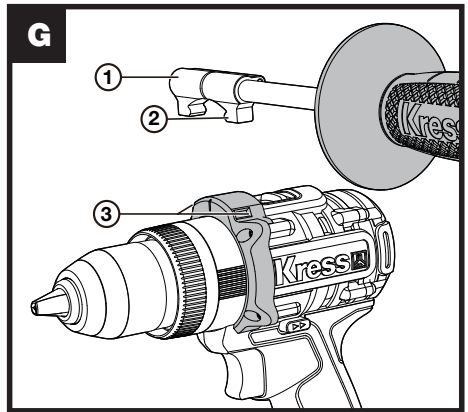
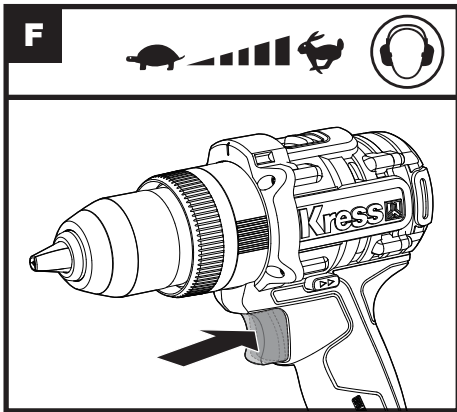
RU P12

KUC33 KUC33.X










ORIGINAL INSTRUCTIONS

PRODUCT SAFETY

GENERAL POWER TOOL

SAFETY WARNINGS

 **WARNING** Read all safety warnings, instructions, illustrations and specifications provided with this power tool. Failure to follow all instructions listed below may result in electric shock, fire and/or serious injury.

Save all warnings and instructions for future reference.

The term "power tool" in the warnings refers to your mains-operated (corded) power tool or battery-operated (cordless) power tool.

1) Work area safety

- a) **Keep work area clean and well lit.** Cluttered or dark areas invite accidents.
- b) **Do not operate power tools in explosive atmospheres, such as in the presence of flammable liquids, gases or dust.** Power tools create sparks which may ignite the dust or fumes.
- c) **Keep children and bystanders away while operating a power tool.** Distractions can cause you to lose control.

2) Electrical safety

- a) **Power tool plugs must match the outlet. Never modify the plug in any way. Do not use any adapter plugs with earthed (grounded) power tools.** Unmodified plugs and matching outlets will reduce risk of electric shock.
- b) **Avoid body contact with earthed or grounded surfaces, such as pipes, radiators, ranges and refrigerators.** There is an increased risk of electric shock if your body is earthed or grounded.
- c) **Do not expose power tools to rain or wet conditions.** Water entering a power tool will increase the risk of electric shock.
- d) **Do not abuse the cord. Never use the cord for carrying, pulling or unplugging the power tool. Keep cord away from heat, oil, sharp edges or moving parts.** Damaged or entangled cords increase the risk of electric shock.
- e) **When operating a power tool outdoors, use an extension cord suitable for outdoor use.** Use of a cord suitable for outdoor use reduces the risk of electric shock.
- f) **If operating a power tool in a damp location is unavoidable, use a residual current device (RCD) protected supply.** Use of an RCD reduces the risk of electric shock.

3) Personal safety

- a) **Stay alert, watch what you are doing and use common sense when operating a power tool. Do not use a power tool while you are tired or under the influence of drugs, alcohol or medication.** A moment of

inattention while operating power tools may result in serious personal injury.

- b) **Use personal protective equipment. Always wear eye protection.** Protective equipment such as dust mask, non-skid safety shoes, hard hat, or hearing protection used for appropriate conditions will reduce personal injuries.
 - c) **Prevent unintentional starting. Ensure the switch is in the off-position before connecting to power source and/or battery pack, picking up or carrying the tool.** Carrying power tools with your finger on the switch or energising power tools that have the switch on invites accidents.
 - d) **Remove any adjusting key or wrench before turning the power tool on.** A wrench or a key left attached to a rotating part of the power tool may result in personal injury.
 - e) **Do not overreach. Keep proper footing and balance at all times.** This enables better control of the power tool in unexpected situations.
 - f) **Dress properly. Do not wear loose clothing or jewellery. Keep your hair and clothing away from moving parts.** Loose clothes, jewellery or long hair can be caught in moving parts.
 - g) **If devices are provided for the connection of dust extraction and collection facilities, ensure these are connected and properly used.** Use of dust collection can reduce dust-related hazards.
 - h) **Do not let familiarity gained from frequent use of tools allow you to become complacent and ignore tool safety principles.** A careless action can cause severe injury within a fraction of a second.
- 4) **Power tool use and care**
 - a) **Do not force the power tool. Use the correct power tool for your application.** The correct power tool will do the job better and safer at the rate for which it was designed.
 - b) **Do not use the power tool if the switch does not turn it on and off.** Any power tool that cannot be controlled with the switch is dangerous and must be repaired.
 - c) **Disconnect the plug from the power source and/or remove the battery pack, if detachable, from the power tool before making any adjustments, changing accessories, or storing power tools.** Such preventive safety measures reduce the risk of starting the power tool accidentally.
 - d) **Store idle power tools out of the reach of children and do not allow persons unfamiliar with the power tool or these instructions to operate the power tool.** Power tools are dangerous in the hands of untrained users.
 - e) **Maintain power tools and accessories. Check for misalignment or binding of moving parts, breakage of parts and any other condition that may affect the power tool's operation. If damaged, have the power tool repaired before use.** Many

accidents are caused by poorly maintained power tools.

- f) **Keep cutting tools sharp and clean.**
Properly maintained cutting tools with sharp cutting edges are less likely to bind and are easier to control.
- g) **Use the power tool, accessories and tool bits etc. in accordance with these instructions, taking into account the working conditions and the work to be performed.** *Use of the power tool for operations different from those intended could result in a hazardous situation.*
- h) **Keep handles and grasping surfaces dry, clean and free from oil and grease.**
Slippery handles and grasping surfaces do not allow for safe handling and control of the tool in unexpected situations.
- 5) **Battery tool use and care**
 - a) **Recharge only with the charger specified by the manufacturer.** *A charger that is suitable for one type of battery pack may create a risk of fire when used with another battery pack.*
 - b) **Use power tools only with specifically designated battery packs.** *Use of any other battery packs may create a risk of injury and fire.*
 - c) **When battery pack is not in use, keep it away from other metal objects, like paper clips, coins, keys, nails, screws or other small metal objects, that can make a connection from one terminal to another.** *Shorting the battery terminals together may cause burns or a fire.*
 - d) **Under abusive conditions, liquid may be ejected from the battery; avoid contact. If contact accidentally occurs, flush with water. If liquid contacts eyes, additionally seek medical help.** *Liquid ejected from the battery may cause irritation or burns.*
 - e) **Do not use a battery pack or tool that is damaged or modified.** *Damaged or modified batteries may exhibit unpredictable behaviour resulting in fire, explosion or risk of injury.*
 - f) **Do not expose a battery pack or tool to fire or excessive temperature.** *Exposure to fire or temperature above 130 °C may cause explosion.*
 - g) **Follow all charging instructions and do not charge the battery pack or tool outside the temperature range specified in the instructions.** *Charging improperly or at temperatures outside the specified range may damage the battery and increase the risk of fire.*
- 6) **Service**
 - a) **Have your power tool serviced by a qualified repair person using only identical replacement parts.** *This will ensure that the safety of the power tool is maintained.*
 - b) **Never service damaged battery packs.** *Service of battery packs should only be performed by the manufacturer or authorized service providers.*

DRILL SAFETY WARNINGS

- 1) **Safety instructions for all operations**
 - a) **Hold the power tool by insulated gripping surfaces, when performing an operation where the cutting accessory or fasteners may contact hidden wiring or its own cord.** *Cutting accessory or fasteners contacting a "live" wire may make exposed metal parts of the power tool "live" and could give the operator an electric shock.*
- 2) **Safety instructions when using long drill bits**
 - a) **Never operate at higher speed than the maximum speed rating of the drill bit. At higher speeds, the bit is likely to bend if allowed to rotate freely without contacting the workpiece, resulting in personal injury.**
 - b) **Always start drilling at low speed and with the bit tip in contact with the workpiece. At higher speeds, the bit is likely to bend if allowed to rotate freely without contacting the workpiece, resulting in personal injury.**
 - c) **Apply pressure only in direct line with the bit and do not apply excessive pressure.** *Bits can bend causing breakage or loss of control, resulting in personal injury.*









SAFETY WARNINGS FOR BATTERY PACK








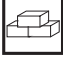




- a) **Do not dismantle, open or shred cells or battery pack.**
- b) **Do not short-circuit a battery pack. Do not store battery packs haphazardly in a box or drawer where they may short-circuit each other or be short-circuited by conductive materials.** *When battery pack is not in use, keep it away from other metal objects, like paper clips, coins, keys, nails, screws or other small metal objects, that can make a connection from one terminal to another. Shorting the battery terminals together may cause burns or a fire.*
- c) **Do not expose battery pack to heat or fire. Avoid storage in direct sunlight.**
- d) **Do not subject battery pack to mechanical shock.**
- e) **In the event of battery leaking, do not allow the liquid to come into contact with the skin or eyes. If contact has been made, wash the affected area with copious amounts of water and seek medical advice.**
- f) **Keep battery pack clean and dry.**
- g) **Wipe the battery pack terminals with a clean dry cloth if they become dirty.**
- h) **Battery pack needs to be charged before use. Always refer to this instruction and use the correct charging procedure.**
- i) **Do not maintain battery pack on charge when not in use.**
- j) **After extended periods of storage, it may be necessary to charge and discharge**

the battery pack several times to obtain maximum performance.

- k) **Recharge only with the charger specified by Kress. Do not use any charger other than that specifically provided for use with the equipment.**
- l) **Do not use any battery pack which is not designed for use with the equipment.**
- m) **Keep battery pack out of the reach of children.**
- n) **Retain the original product literature for future reference.**
- o) **Remove the battery from the equipment when not in use.**
- p) **Dispose of properly.**
- q) **Do not mix cells of different manufacture, capacity, size or type within a device.**
- r) **Keep the battery away from microwaves and high pressure.**
- s) **Warning! Do not use non-rechargeable batteries.**

SYMBOLS

	To reduce the risk of injury, user must read instruction manual
	Warning
	Wear ear protection
	Wear eye protection
	Wear dust mask
	Li-Ion battery This product has been marked with a symbol relating to 'separate collection' for all battery packs and battery pack. It will then be recycled or dismantled in order to reduce the impact on the environment. Battery packs can be hazardous for the environment and for human health since they contain hazardous substances.
	Waste electrical products must not be disposed of with household waste. Please recycle where facilities exist. Check with your local authorities or retailer for recycling advice..
	Do not burn

	Batteries may enter water cycle if disposed improperly, which can be hazardous for ecosystem. Do not dispose of waste batteries as unsorted municipal waste.
	Wear protective gloves
	Screwdriving
	Drilling
	Hammer drilling
	Wood
	Metal
	Brick
	Concrete
	Lock
	High speed
	Low speed

COMPONENT LIST

1. CHUCK
2. TORQUE ADJUSTMENT RING
3. TWO-SPEED GEAR CONTROL
4. FORWARD/REVERSE ROTATION CONTROL
5. SOFT GRIP HANDLE
6. BATTERY PACK *
7. BELT HOOK
8. BATTERY CAPACITY INDICATOR
9. BATTERY PACK RELEASE BUTTON *
10. LED LIGHT
11. ON/OFF SWITCH
12. BIT CLIP
13. AUXILIARY HANDLE

* Not all the accessories illustrated or described are included in standard delivery.

TECHNICAL DATA

Type Designation **KUC33 KUC33.X (C33 - designation of machinery, representative of drill)**

		KUC33 KUC33.X **
Voltage		20V Max ***
No load speed		0-500/0-2000 min
Impact rate		0-8500/0-34000bpm
Number of clutch positions		18+1+1
Max torque		95Nm
Chuck capacity		13mm
Max. drilling capacity	Steel	13mm
	Wood	55mm
	Concrete	16mm
	Brick	16mm
Weight (bare tool)		1.25kg

** X=1-999, A-Z, M1-M9 there are only used for different customers, there are no safe relevant changes between these models

***Voltage measured without workload. Initial battery voltage reaches maximum of 20 volts. Nominal voltage is 18 volts

SUGGESTED BATTERIES AND CHARGERS

Category	Type	Capacity
20V Battery	KAB20	2.0 Ah
	KPB2022	2.0 Ah
	KAB21	4.0 Ah
	KPB2004	4.0 Ah
	KAB24	6.0 Ah
	KAB25	8.0 Ah
20V Charger	KAC20	2.0 A
	KCH2006	2.0 A
	KAC21	6.0 A
	KCH2007	6.0 A
	KAC22	12.0 A

We recommend that you purchase your accessories listed in the above list from the same store that sold you the tool. Refer to the accessory packaging for further details. Store personnel can assist you and offer advice.






OPERATING INSTRUCTIONS



NOTE: Before using the tool, read the instruction book carefully.

Assembly and Operation

ACTION	FIGURE
ASSEMBLY	
CHUCK ADJUSTMENT	
Warning: Always lock off trigger switch and disconnect tool from power source when changing accessories. Always ensure the bit is secure before starting the tool. Damage to the Chuck or a loose bit may cause possible personal injury.	
Removing the bits	See Fig. A1
Inserting the bits	See Fig. A2
Assembling the belt hook and bit clip	See Fig. B1,B2,B3,B4
OPERATION	
Forward/reverse rotation control	
Warning: Never change the direction of rotation when the chuck is rotating, wait until it has stopped!	See Fig. C1, C2, C3

TWO-SPEED GEAR CONTROL	See Fig. D
TORQUE ADJUSTMENT SCREWDRIVING 1-20  DRILLING  HAMMER DRILLING 	See Fig. E
Operating the on/off switch  Warning: Do not operate for long periods at low speed because excess heat will be produced internally.	See Fig. F
LED light indicator Before operation, the LED light will be activated when the On/Off switch is slightly pressed, and will automatically turn off 20 seconds after the On/Off switch is released. The tool and battery are equipped with a protection system. When the LED Light is quickly flashing 3 seconds and turn off, the system will automatically cut off power to the tool to extend battery life. The tool will automatically stop during operation if the tool and/or battery are placed under one of the following conditions: <ul style="list-style-type: none"> • Overloaded: The tool is operated in a manner that causes it to draw an abnormally high current. In this situation, release the Trigger Switch on the tool and stop the application that caused the tool to become overloaded. Then pull the Trigger Switch again to restart. • Overheated: Under the condition above, if the tool does not start, the Tool and Battery are overheated. In this situation, let the Tool and Battery cool before pulling the Trigger Switch again. • Low battery voltage: The remaining Battery capacity is too low and the tool will not operate. In this situation, remove and recharge the Battery.  Warning: To turn on the light, press the On/Off switch and make sure the Forward/Reverse Rotation Control is on right/left position.	

ASSEMBLY

Note: Always power off the tool and remove the battery pack before performing any assembly operations on the tool. Be sure to use the side handle (auxiliary handle) for safe operations.

1. Install the side handle (auxiliary handle) (see fig. G)

Firstly, rotate the handle counterclockwise relative to the outer jaw ① to separate the jaws ②, then hold the outer jaw ①, stick the jaws ② in the grooves ③ on the left and right sides of the reducer, hold the outer jaw ① with one hand, and rotate the handle clockwise relative to the outer jaw ① to tighten it until the jaws ① ② are fixed with the grooves ③ tightly.

2. Remove the side handle (auxiliary handle) (see fig. H)

Place the tool on the workbench, hold the outer jaw ① with one hand, rotate the handle counterclockwise relative to the outer jaw ① until the jaws ② are loose, and then remove them from the reducer grooves ③.

ANTI KICKBACK FUNCTION

The power tool will shut down quickly, when drill body suddenly rotates around the bit due to blockage during drilling. When the quick shutdown function is in effect, the LED light will first flash twice slowly and then flash every 1.5s circularly. Once the On/Off Switch is released, the LED light stops flashing. Press the On/Off Switch again to restart the tool.

ANTI KICKBACK FUNCTION – HOW TO TURN ON/OFF

Plug the battery pack into the tool and place the forward/reverse rotation control lever in the middle position. Press the trigger 5 times within 5 seconds and then the LED light flashes for four times, the anti kickback function is turned off. Repeat the above actions to turn the anti kickback function on/off. But note that: the LED light will flash when the trigger is pressed and held down for the fifth time; and it will go out when the trigger is released. In the process anti kickback function won't be turned on/off.



PROBLEM SOLUTION

1. WHY DOES THE DRILL NOT TURN ON WHEN YOU PRESS THE SWITCH?

The Forward and Reverse Switch, which is on top of the trigger, is positioned in the lock function. Unlock the Forward and Reverse Switch putting it into the required rotation position. Push the trigger and the drill will start to rotate.

2. THE DRILL STOPS BEFORE THE SCREW IS COMPLETELY TIGHTENED. WHY?

Verify the torque position of the Torque Adjustment Ring, you can find the Torque Adjustment Ring between the Chuck and the drill body. Position 1 is the lowest

torque (screw driving force) and position 20 is the highest torque (screw driving force). Position  is for drill operation. Position  is for hammer drill operation. Regulate the Torque Adjustment Ring to a higher position to reach the best result.

3. I CAN NOT FIT THE BATTERY INTO THE BATTERY CHARGER. WHY?

The battery can be inserted into the charger only in one direction. Turn the battery around until it can be inserted into the slot, the red LED Light should turn on when the battery is charging.

4. REASONS FOR DIFFERENT BATTERY PACK WORKING TIMES

Charging time problems, as above, and having not used a Battery Pack for a prolonged time will reduce the Battery Pack working time. This can be corrected after several charge and discharge operations by charging & working with your drill. Heavy working conditions such as large screws into hard wood will use up the Battery Pack energy faster than lighter working conditions. Do not re-charge your Battery Pack below 0°C and above 40°C as this will affect performance.

MAINTENANCE

Remove the battery pack from the tool before carrying out any adjustment, servicing or maintenance.

There are no user serviceable parts in your power tool. Never use water or chemical cleaners to clean your power tool. Wipe clean with a dry cloth. Always store your power tool in a dry place. Keep the motor ventilation slots clean. Keep all working controls free of dust.

FOR BATTERY TOOLS

The operating temperature of tools and battery is -20°C - 60°C.

The storage temperature of tools and battery is 0°C - 45°C.


The recommended ambient temperature range for the charging system during charging is 0°C-40°C.

ENVIRONMENTAL PROTECTION



Waste electrical products must not be disposed of with household waste. Please recycle where facilities exist. Check with your local authorities or retailer for recycling advice.

ORIGINAL INSTRUCTIONS PRODUCT SAFETY ОБЩИЕ ПРАВИЛА ТЕХНИКИ БЕЗОПАСНОСТИ ПРИ РАБОТЕ С ЭЛЕКТРОИНСТРУМЕНТОМ

 **ПРЕДОСТЕРЕЖЕНИЕ!** Внимательно ознакомьтесь с инструкциями и предостережениями по технике безопасности. Невыполнение всех нижеприведенных инструкций и рекомендаций может привести к поражению электрическим током, пожару и серьезным травмам.

Сохраните все предостережения и инструкции для дальнейшего пользования.

В дальнейшем термин "электроинструмент" используется как для работающего от сети (проводного) электроинструмента, так и для электроинструмента, работающего от аккумулятора (беспроводного).

1. БЕЗОПАСНОСТЬ НА РАБОЧЕМ МЕСТЕ

- a) **Содержите рабочее место в чистоте и хорошо освещенным.** Загроможденные и плохо освещенные зоны способствуют возникновению несчастных случаев.
- b) **Не работайте с инструментом во взрывоопасной атмосфере, в присутствии воспламеняемых жидкостей, газов или пыли.** Возникающие при работе электроинструмента искры могут привести к воспламенению горючих веществ.
- c) **При работе с инструментом дети и посторонние должны находиться на безопасном расстоянии.** Отвлечение внимания может привести к потере вами контроля.

2. ЭЛЕКТРОБЕЗОПАСНОСТЬ

- a) **Штепсельные вилки электроинструментов должны соответствовать розеткам. Никогда никоим образом не изменяйте соединительную вилку. При заземленных электроинструментах не используйте никаких переходников.** Неизменные вилки и соответствующие розетки снижают риск поражения электротоком.
- b) **Избегайте физического контакта с заземленными поверхностями, такими, как трубы, радиаторы, плиты и холодильники.** Риск поражения электротоком повышается, если ваше тело будет заземлено.
- c) **Не подвергайте электроинструменты воздействию дождя или высокой влажности.** Попадание воды в

электроинструмент повышает опасность поражения электротоком.

- d) **Правильно обращайтесь с электрокабелем. Никогда не используйте кабель для переноски электроинструмента, а также не тяните за кабель для выключения из розетки.** Держите кабель на безопасном расстоянии от источников тепла, масла, острых кромок и движущихся частей. Поврежденные или запутанные кабели повышают риск поражения электротоком.
- e) **При работе с электроинструментом вне помещений используйте удлинители, которые предназначены для работы на открытом воздухе.** Это снижает риск поражения электротоком.
- f) **При использовании электроинструмента во влажном помещении его необходимо подключать к электросети через устройство защитного отключения (УЗО).** Использование УЗО снижает риск поражения электротоком.

3. ЛИЧНАЯ БЕЗОПАСНОСТЬ

- a) **Будьте внимательны: следите за тем, что вы делаете, и руководствуйтесь здравым смыслом, работая с электроинструментом. Не используйте электроинструмент, если вы устали или находитесь под воздействием сильнодействующих средств, алкоголя или медикаментов.** Потеря внимания даже на короткое мгновение при работе с электроинструментом может привести к серьезным травмам.
- b) **Используйте индивидуальные средства защиты. Всегда надевайте средства защиты глаз.** Такие средства защиты, как респиратор, нескользящая защитная обувь, каска или защитные наушники, используемые в соответствующих условиях, снижают риск получения травм.
- c) **Предотвращайте случайный запуск электроинструмента. Убедитесь, что выключатель находится в положении "Выключено" перед подключением к электросети и / или аккумуляторной батареи, сборкой или переносом электроинструмента.** Переноска инструмента с пальцем на кнопке пуска или включение в сеть электроинструмента с включенным выключателем способствует несчастному случаю.
- d) **Удаляйте все регулировочные приспособления или гаечные ключи перед включением электроинструмента.** Оставленные на вращающихся деталях электроинструмента, они могут привести к травме.
- e) **Не перенапрягайтесь. Постоянно занимайте устойчивое положение и поддерживайте равновесие.** Это позволяет лучше контролировать электроинструмент в непредвиденных ситуациях.

- f) Одевайтесь надлежащим образом. Не надевайте свободную одежду или украшения. Держите волосы, одежду и перчатки на расстоянии от движущихся частей.** Свободную одежду, украшения или длинные волосы может затянуть в движущиеся части.
- g) Используйте предусмотренные средства и устройства для сбора и удаления пыли, если инструмент оснащен таковыми.** Использование таких средств может снизить опасности, связанные с пылью.
- h) Не позволяйте осведомленности, полученной в результате частого использования инструментов, заставить вас расслабиться и игнорировать принципы техники безопасности при работе с инструментом.** Неосторожное действие может привести к серьезным травмам в течение доли секунды.
- 4. ИСПОЛЬЗОВАНИЕ ЭЛЕКТРОИНСТРУМЕНТА И УХОД ЗА НИМ**
- a) Не перегружайте электроинструмент. Используйте подходящий инструмент для каждой определенной цели.** Правильно подобранный электроинструмент выполнит работу лучше и надежнее на уровне, для которого он предназначен.
- b) Не используйте электроинструмент, если выключатель невозможно включить или выключить.** Любой электроинструмент, который невозможно контролировать выключателем, представляет опасность и должен быть отремонтирован.
- c) Отсоедините штепсель от электросети и / или аккумуляторную батарею от электроинструмента перед проведением каких-либо настроек, сменой насадок или хранением электроинструмента.** Подобные предохранительные меры снижают опасность случайного пуска электроинструмента.
- d) Храните не используемые электроинструменты в местах, недоступных для детей. Не разрешайте работать с электроинструментом лицам, которые не знают его особенностей или не ознакомлены с данной инструкцией.** Электроинструменты в руках необученных пользователей представляют опасность.
- e) Поддерживайте электроинструмент в исправном состоянии. Проверяйте инструмент на предмет смещения или заедания движущихся частей, поломки деталей или любых иных неисправностей, могущих повлиять на работу электроинструмента. В случае повреждения следует отремонтировать электроинструмент перед применением.** Многие несчастные случаи вызваны плохим уходом за электроинструментом.
- f) Режущий инструмент должен быть заточенным и чистым.** При поддержании режущих инструментов в надлежащем состоянии и с острыми режущими кромками вероятность их заклинивания уменьшается и ими легче управлять.
- g) Используйте электроинструмент, принадлежности, сверла и т. п. в соответствии с данными инструкциями, спецификой конкретного типа электроинструмента, учитывая условия работы и выполняемую задачу.** Использование электроинструмента для иных операций, помимо тех, для которых он предназначен, может привести к возникновению опасной ситуации.
- h) Ручки и поверхности для захвата должны быть сухими, чистыми и без следов масла и смазки.** Скользкие ручки и поверхности для захвата не позволяют безопасно обращаться с инструментом и контролировать его в непредвиденных ситуациях.
- 5. ИСПОЛЬЗОВАНИЕ АККУМУЛЯТОРНОГО ИНСТРУМЕНТА И УХОД ЗА НИМ**
- a) Производите подзарядку аккумулятора только при помощи оригинального зарядного устройства.** Зарядное устройство, которое подходит для одного типа аккумуляторной батареи, может привести к пожару, когда используется с другим типом аккумуляторной батареи.
- b) Используйте аккумуляторный инструмент только с оригинальными аккумуляторами.** Использование любого другого типа аккумулятора может привести к травме или пожару.
- c) Неиспользуемые аккумуляторные батареи храните отдельно от металлических предметов, таких как скрепки для бумаги, монеты, ключи, гвозди, винты и тому подобное, которые могут замкнуть контакты батареи.** Замыкание контактов аккумуляторной батареи может привести к ожогам или пожару.
- d) В критических ситуациях из аккумулятора может вытекать жидкость – избегайте контакта с ней. Если жидкость все же попала на поверхность кожи, смойте ее большим количеством воды. При попадании жидкости в глаза срочно обратитесь за медицинской помощью.** Жидкость, вытекающая из аккумулятора, может вызвать раздражение или ожоги.
- e) Не используйте аккумуляторную батарею или инструмент, который поврежден или модифицирован.** Поврежденные или модифицированные аккумуляторные батареи могут срабатывать непредсказуемым образом, что может привести к пожару, взрыву или риску получения травмы.

- f) Не подвергайте аккумуляторную батарею или инструмент воздействию огня или чрезмерно высокой температуры.** Воздействие огня или температуры выше 130 °C может привести к взрыву.
- g) Следуйте всем инструкциям по зарядке и не заряжайте аккумулятор или инструмент вне диапазона температур, указанного в инструкциях.** Неправильная зарядка или температура, выходящая за пределы указанного диапазона, может повредить аккумулятор и повысить риск возгорания.

6. СЕРВИСНОЕ ОБСЛУЖИВАНИЕ

- a) Ремонт электроинструмента должен выполняться квалифицированным персоналом с использованием только оригинальных запасных частей.** Это гарантирует безопасность его использования.
- b) Никогда не обслуживайте поврежденные аккумуляторы.** Обслуживание аккумуляторных батарей должно выполняться только производителем или авторизованными поставщиками сервисных услуг.

- c) Прикладывайте усилие только по прямой линии относительно сверла и не надавливайте на инструмент слишком сильно.** *Сверла могут согнуться, вызывая поломку или потерю контроля, что может привести к травме.*

ПРАВИЛА ТЕХНИКИ БЕЗОПАСНОСТИ ДЛЯ АККУМУЛЯТОРНОЙ БАТАРЕИ

- a) Не допускается разбирать, вскрывать, измельчать элементы питания и аккумуляторную батарею.**
- b) Не допускается коротко замыкать элементы питания или аккумулятор. Не допускается беспорядочно хранить элементы питания или аккумулятор в коробке или ящике, где они могут замкнуться друг друга или могут быть замкнуты другими металлическими предметами.** Если аккумуляторная батарея не используется, держите ее подальше от металлических предметов, таких как зажимы, монеты, гвозди, винты и прочие металлические предметы небольшого размера, которые могут соединить клеммы друг с другом. Короткое замыкание клемм батареи может стать причиной ожогов или пожара.
- c) Не допускается подвергать аккумуляторную батарею воздействию высоких температур или пламени. Избегайте хранения аккумуляторной батареи в местах, подверженных воздействию прямого солнечного света.**
- d) Не допускается подвергать аккумуляторную батарею механическим ударам**
- e) В случае протечки аккумуляторной батареи, не допускайте контакта электролита с кожей или глазами. В случае такого контакта необходимо промыть пораженный участок обильным количеством воды и обратиться за медицинской помощью.**
- f) Аккумуляторную батарею необходимо содержать в чистоте и сухости.**
- g) В случае загрязнения контактов аккумуляторной батареи их необходимо протереть чистой сухой тканью.**
- h) Аккумуляторную батарею необходимо заряжать перед использованием. Всегда следуйте данной инструкции и используйте правильный порядок зарядки.**
- i) Не допускается оставлять аккумулятор на зарядном устройстве, если он не используется.**
- j) После продолжительного хранения может потребоваться несколько раз зарядить и разрядить аккумуляторную**


ПРАВИЛА ТЕХНИКИ БЕЗОПАСНОСТИ ПРИ РАБОТЕ С ДРЕЛЬЮ



- 1) Инструкции по безопасности для всех операций с дрелью**
- a) Держите электроинструмент за изолированные поверхности для захвата, когда выполняете операцию, в которой режущая часть может коснуться скрытой проводки или собственного шнура инструмента.** *Режущая часть, контактирующая с проводом под напряжением, может способствовать тому, что металлические детали электроинструмента окажутся под напряжением, и это может привести к поражению электрическим током.*
- 2) Инструкции по безопасности при использовании длинных сверл**
- a) Никогда не работайте на более высокой скорости, чем максимальная скорость вращения сверла.** *На более высоких скоростях сверло может согнуться, если оно свободно вращается, не касаясь заготовки, что может привести к травме.*
- b) Всегда начинайте сверление на малой скорости, при этом наконечник сверла должен соприкоснуться с обрабатываемым изделием.** *На более высоких скоростях сверло может согнуться, если оно свободно вращается, не касаясь заготовки, что может привести к травме.*

- батарею для достижения максимальной эффективности ее работы.
- к) Используйте только зарядные устройства, указанные Kress. Не допускается использовать какие-либо зарядные устройства, за исключением специально предназначенных для данного оборудования.**
- л) Не допускается использовать какие-либо аккумуляторные батареи, не предназначенные для использования с данным оборудованием.**
- м) Храните аккумуляторную батарею в местах, недоступных для детей.**
- н) Следует сохранить оригинальную документацию на изделие для будущего использования.**
- о) По возможности извлекайте аккумуляторную батарею из изделия, если она не используется.**
- р) Утилизируйте аккумуляторную батарею должным образом.**
- q) Не используйте аккумуляторы сторонних производителей**
- р) Берегите аккумулятор от воздействия СВЧ-излучения и высокого давления.**
- с) Предупреждение! Не используйте перезаряжаемые батареи.**

УСЛОВНЫЕ ОБОЗНАЧЕНИЯ

	Для сокращения риска травмы пользователь должен прочитать руководство по эксплуатации инструмента
	Предостережение
	Носите защиту органов слуха
	Носите защиту органов зрения
	Носите пылезащитную маску
	Используйте защитные перчатки
	Запрещается сжигать

	При неправильной утилизации батареи могут попасть в круговорот воды в природе, что может быть опасным для экосистемы. Запрещается утилизировать использованные батареи как несортированные бытовые отходы.
	Литий-ионная аккумуляторная батарея. Этот продукт был отмечен символом, относящимся к «раздельному сбору отходов» для всех аккумуляторов и батарей. Данная батарея должна быть переработана или утилизирована должным образом, чтобы уменьшить воздействие на окружающую среду. Аккумуляторы могут быть опасными для окружающей среды и здоровья человека, поскольку они содержат вредные вещества.
	Отходы электрооборудования запрещается утилизировать вместе с бытовыми отходами. Они должны быть доставлены в местный центр утилизации для надлежащей переработки. Обратитесь к местным органам управления или продавцу за рекомендациями по утилизации.
	Завинчивание
	Сверление
	Ударное сверление
	Дерево
	Металл
	Бетон
	Кирпич
	Замок

	Высокая скорость
	Низкая скорость


ПЕРЕЧЕНЬ КОМПОНЕНТОВ

1. ЗАЖИМНОЙ ПАТРОН
2. КОЛЬЦО РЕГУЛИРОВКИ КРУТЯЩЕГО МОМЕНТА
3. РЕГУЛЯТОР ДВУХСКОРОСТНОГО РЕДУКТОРА
4. ПЕРЕКЛЮЧАТЕЛЬ ВРАЩЕНИЯ ВПЕРЕД / ОБРАТНОГО ВРАЩЕНИЯ
5. РУЧКА В МЯГКОЙ ОБОЛОЧКЕ
6. АККУМУЛЯТОРНАЯ БАТАРЕЯ*
7. КРЮК
8. ИНДИКАТОР ЗАРЯДА АККУМУЛЯТОРНОЙ БАТАРЕИ
9. КНОПКА ВЫСВОБОЖДЕНИЯ АККУМУЛЯТОРНОЙ БАТАРЕИ*
10. СВЕТОДИОДНЫЙ ФОНАРЬ
11. ПЕРЕКЛЮЧАТЕЛЬ ВКЛ./ВЫКЛ.
12. ЗАЖИМ ДЛЯ БИТ
13. ВСПОМОГАТЕЛЬНАЯ РУКОЯТКА

* Не все показанные или описанные аксессуары включены в стандартную поставку.

ТЕХНИЧЕСКИЕ ДАННЫЕ

Обозначение типа: KUC33 KUC33.X (C33 - обозначение машины, представленной дрелью)

	KUC33 KUC33.X**
Номинальное напряжение	20В  Макс.***
Скорость без нагрузки	0-500/0-2000/мин
Частота ударов	0-8500/0-34000уд/мин
Количество положений муфты	18+1+1

Максимальный крутящий момент	95Нм	
Наибольший диаметр изделия, зажимаемого в патроне	13мм	
Макс. глубина сверления	Сталь	13мм
	Дерево	55мм
	Бетон	16мм
	Кирпич	16мм
Вес инструмента (без аккумулятора)	1.25кг	

** X=1-999, A-Z, M1-M9 используются только для разных инструментов. Безопасная соответствующая замена между данными моделями невозможна

***Напряжение измерено без рабочей нагрузки. Первоначальное напряжение аккумулятора достигает максимум 20В. Номинальное напряжение составляет 18В.

РЕКОМЕНДУЕМЫЕ АККУМУЛЯТОРЫ И ЗАРЯДНЫЕ УСТРОЙСТВА

Категория	Тип	Ёмкость
20В Аккумуляторная батарея	KAB20	2.0 Ач
	KPB2022	2.0 Ач
	KAB21	4.0 Ач
	KPB2004	4.0 Ач
	KAB24	6.0 Ач
	KAB25	8.0 Ач
Зарядное устройство 20В	KAC20	2.0 А
	KCH2006	2.0 А
	KAC21	6.0 А
	KCH2007	6.0 А
	KAC22	12.0 А

Мы рекомендуем вам приобрести аксессуары в том же магазине, где вам продали инструмент. Для получения дополнительной информации см. упаковку. Сотрудники магазина смогут помочь вам и дать совет.

ИНСТРУКЦИИ ПО ЭКСПЛУАТАЦИИ



ПРИМЕЧАНИЕ: Перед использованием инструмента внимательно прочитайте инструкцию.

СБОРКА И ЭКСПЛУАТАЦИЯ

ДЕЙСТВИЕ	РИСУНОК
СБОРКА	
РЕГУЛИРОВКА ЗАЖИМНОГО ПАТРОНА ПРЕДОСТЕРЕЖЕНИЕ: При замене аксессуаров всегда блокируйте пусковой выключатель и отсоединяйте инструмент от источника питания. Перед запуском инструмента всегда проверяйте, что сверло надежно закреплено. Повреждение зажимного патрона или слабо зафиксированное сверло может привести к травме.	
--Извлечение сверла	См. Рис. A1
--Вставка сверла	См. Рис. A2
Установка поясного крюка и зажима для бит	См. Рис. B1, B2, B3, B4
ЭКСПЛУАТАЦИЯ	
ПЕРЕКЛЮЧАТЕЛЬ ВРАЩЕНИЯ ВПЕРЕД / ОБРАТНОГО ВРАЩЕНИЯ ПРЕДОСТЕРЕЖЕНИЕ: Запрещается менять направление вращения, когда зажимной патрон вращается. Подождите, пока он остановится!	См. Рис. C1, C2, C3
РЕГУЛЯТОР ДВУХСКОРОСТНОГО РЕДУКТОРА РЕЖИМ ШУРУПОВЕРТА 1-20 РЕЖИМ СВЕРЛЕНИЯ УДАРНОЕ СВЕРЛЕНИЕ	См. Рис. D
ВЫБОР РЕЖИМА РАБОТЫ РЕЖИМ ШУРУПОВЕРТА 1-20 РЕЖИМ СВЕРЛЕНИЯ УДАРНОЕ СВЕРЛЕНИЕ	См. Рис. E
РАБОТА С ПЕРЕКЛЮЧАТЕЛЕМ ВКЛ./ВЫКЛ. ПРЕДОСТЕРЕЖЕНИЕ: Не работайте в течение длительного времени на низкой скорости, потому что внутри инструмента будет вырабатываться избыточное количество тепла.	См. Рис. F

Индикатор подсветки

Перед работой индикатор будет активирован, когда переключатель Вкл./Выкл. слегка нажат, и автоматически выключится через 20 секунд после отпускания переключателя.

Инструмент и аккумуляторная батарея оснащены системой защиты. Когда светодиодный индикатор быстро мигает в течение 3 секунд и гаснет, система автоматически отключает питание инструмента, чтобы продлить срок службы батареи. Инструмент автоматически остановится во время работы, если инструмент и / или аккумуляторная батарея находятся под воздействием одного из следующих условий:

- **Перегрузка:** инструмент работает таким образом, что он потребляет аномально высокий ток. В этом случае отпустите пусковой выключатель на инструменте и прервите операцию, которая вызвала перегрузку инструмента. Затем снова потяните пусковой выключатель, чтобы возобновить работу.
- **Перегрев:** при описанных выше условиях, если инструмент не запускается, это означает, что инструмент и аккумуляторная батарея перегреваются. Дайте инструменту и аккумулятору остыть, прежде чем снова нажимать на пусковой выключатель.
- **Низкое напряжение аккумулятора:** оставшаяся мощность аккумуляторной батареи слишком мала, и инструмент не будет работать. В таком случае, извлеките и зарядите аккумулятор.



ПРЕДОСТЕРЕЖЕНИЕ: чтобы включить подсветку, нажмите на переключатель Вкл./Выкл. и убедитесь, что переключатель вращения вперед / обратного вращения находится в правом / левом положении.

СБОРКА

Примечание: Перед осуществлением каких-либо сборочных операций с инструментом обязательно отключите его от источника тока и извлеките аккумуляторный комплект.

Для обеспечения эксплуатационной безопасности обязательно используйте боковую (вспомогательную) рукоятку.

1. Установка боковой (вспомогательной) рукоятки (см. рис. G)

Сначала поверните рукоятку против часовой стрелки по отношению к внешнему кулачку ①, чтобы разделить кулачки ②, затем придержите внешний кулачок ①, вставьте кулачки ② в пазы ③ с левой и правой стороны редуктора, придержите внешний кулачок ① одной рукой и поворачивайте рукоятку по часовой стрелке по отношению к внешнему кулачку ① для закрепления, пока кулачки ①② плотно не зафиксируются в пазах ③.

2. Снятие боковой (вспомогательной) рукоятки (см. рис. H)

Положите инструмент на рабочий стол, придержите внешний кулачок ① одной рукой, поворачивайте рукоятку против часовой стрелки по отношению к внешнему кулачку ①, пока кулачки ② не ослабнут, после чего извлеките их из пазов на редукторе ③.

ЗАЩИТА ОТ ОТДАЧИ

Электроинструмент быстро отключится, если корпус дрели внезапно начнет вращаться вокруг сверла из-за блокировки во время сверления. При срабатывании функции быстрого отключения светодиодный индикатор сначала медленно мигнет два раза, а затем начнет циклически мигать каждые 1,5 секунды. Если отпустить переключатель Вкл./Выкл., светодиодный индикатор перестанет мигать.

ЗАЩИТА ОТ ОТДАЧИ - ВКЛЮЧЕНИЕ/ ВЫКЛЮЧЕНИЕ

Вставьте аккумулятор в инструмент и установите рычаг управления вращением вперед/назад в среднее положение. Нажмите на курковый выключатель 5 раз в течение 5 секунд; светодиодный индикатор мигнет четыре раза, и функция защита от отдачи будет отключена. Повторите описанные выше действия, чтобы включить или выключить функцию защита от отдачи. Обратите внимание: светодиодный индикатор будет мигать при нажатии и удержании куркового выключателя в пятый раз и погаснет при его отпускании. При этом функция защита от отдачи не будет включаться/выключаться.

УСТРАНЕНИЕ НЕИСПРАВНОСТЕЙ

1. ПОЧЕМУ ДРЕЛЬ НЕ ВКЛЮЧАЕТСЯ ПРИ НАЖАТИИ НА ПЕРЕКЛЮЧАТЕЛЬ?

Переключатель вращения вперед / обратного вращения, расположенный выше пускового рычага, находится в положении блокировки. Разблокируйте переключатель вращения вперед / обратного вращения, установив его в требуемое положение вращения. Нажмите на пусковой рычаг, и дрель начнет вращаться.

2. ДРЕЛЬ ОСТАНАВЛИВАЕТСЯ ДО ПОЛНОЙ ЗАТЯЖКИ ВИНТА. ПОЧЕМУ?

Проверьте положение кольца регулировки крутящего момента, которое расположено между крутящим патроном и корпусом инструмента. Положение 1 - самый низкий крутящий момент (усилие ввертывания винта), а положение 20 - самый высокий крутящий момент (усилие ввертывания винта). Положение 8 предназначено для режима сверления. Положение 9 предназначено для ударного сверления. Установите кольцо регулировки крутящего момента в более высокое положение, чтобы достичь лучшего результата.

3. НЕ ПОЛУЧАЕТСЯ ВСТАВИТЬ АККУМУЛЯТОР В ЗАРЯДНОЕ УСТРОЙСТВО. ПОЧЕМУ?

Аккумуляторная батарея вставляется в зарядное устройство только в одном направлении. Поверните ее так, чтобы можно было вставить батарею в паз. Когда начнется зарядка аккумуляторной батареи, включится красный светодиодный индикатор.

4. Причины непостоянного времени работы батареи.

Проблемы со временем зарядки и работы инструмента, могут возникать из-за длительного простоя аккумулятора. Данную проблему можно исправить после нескольких циклов заряда-разряда аккумулятора и работы с ним. Тяжелые условия работы, такие как заворачивание больших саморезов в дерево, требуют больше энергии от батареи и разряжают ее быстрее, нежели более легкие задачи. Не заряжайте вашу батарею при температуре ниже 0°C и выше 40°C, так как это может отразиться на ее производительности.

ДЛЯ АККУМУЛЯТОРНЫХ ИНСТРУМЕНТОВ

Рабочая температура инструментов и аккумулятора: от -20 °C до +60 °C.

Температура хранения инструментов и аккумулятора: от 0 °C до +45 °C.

Рекомендуемый диапазон температур окружающей среды для зарядной системы во время зарядки - 0°C-40°C.

ЗАЩИТА ОКРУЖАЮЩЕЙ СРЕДЫ



Отходы электрооборудования запрещается утилизировать вместе с бытовыми отходами.

Они должны быть доставлены в местный центр утилизации для надлежащей переработки. Обратитесь к местным органам управления или продавцу за рекомендациями по утилизации.

СТРАНА ТЕЛЕФОН ТЕХПОДДЕРЖКИ

Россия 7 (495) 136-83-96



EAC

Импортер: ООО «КВТ Эксперт»

Адрес: Россия, Москва, 119607, проспект Мичуринский, дом 31, корпус 7, помещение 40/2

Телефон: +7 (495) 107-02-72

Электронная почта kvт@kvтservice.su

Страна производства: КНР

Изготовитель: Позитек Технолоджи (КНР) Ко., Лтд.

Адрес: Номер 18, Донванг Роуд, Сучжоу Индастриал Парк, Цзянсу, КНР

Срок службы изделия: 6 лет

Срок гарантии: 2 года

Дата производства изделия: указана на изделии

Уполномоченное лицо для принятия претензий: ООО «ПОЗИТЕК- ЕВРАЗИЯ»

Адрес: Российская Федерация, 117342, г. Москва, ул. Бутлерова, д. 17, этаж 3 ком 67

Телефон сервисной службы ООО «ПОЗИТЕК- ЕВРАЗИЯ»: +7 (495) 136-83-96

Электронная почта service.ru@positecgroup.com

Kress 