

CONDROL

EN Cross line laser

DE Kreuzlinienlaser

RU Лазерный нивелир

PL Laser krzyżowy

ES Láser de línea en cruz

IT Livello laser



GFX 200/300/360/360³

- EN User manual 1
- DE Bedienungsanleitung 2
- PL Instrukcja obsługi 3
- ES Manual de usuario 4
- IT Manuale dell'utente 5
- RU Руководство по эксплуатации 6

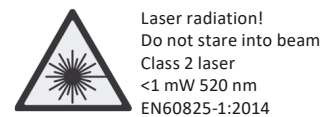
EN Cross line laser
GFX 200/300/360/360³
User manual

Congratulations on your purchase of laser levels GFX 200/GFX 300/GFX 360/GFX 360³ CONDROL. Safety instructions can be found in the end of this user manual and should be carefully read before you use the device for the first time.

1. SAFETY REGULATIONS

The user manual should be read carefully before you use the device for the first time. Unintended use of the device can be dangerous for human's health and cause serious injury. Keep this user manual. If the device is given to somebody for temporary use, be sure to enclose user manual to it.

- Do not misuse the device.
- Do not remove warning signs and protect them from abrasion, because they contain information about safe operation of the device.



- Do not look into the laser beam or its reflection, with unprotected eye or through an optical instrument. Do not point the laser beam at people or animals without the need. You can dazzle them.
- To protect your eyes close them or look aside.
- Always install the product in such a way, so that the laser line is below or above the eye level.
- Do not let unauthorized people enter the zone of product operation.
- Store the product beyond reach of children and unauthorized people.
- It is prohibited to disassemble or repair the product yourself. Entrust product repair to qualified personnel and use original spare parts only.
- Do not use the product in explosive environment, close to flammable materials.

- Avoid heating the batteries to avoid the risk of explosion and electrolyte leakage. In case of liquid contact with skin, wash it immediately with soap and water. In case of contact with eyes, flush with clean water during 10 minutes and consult the doctor.

2. PRODUCT DESCRIPTION

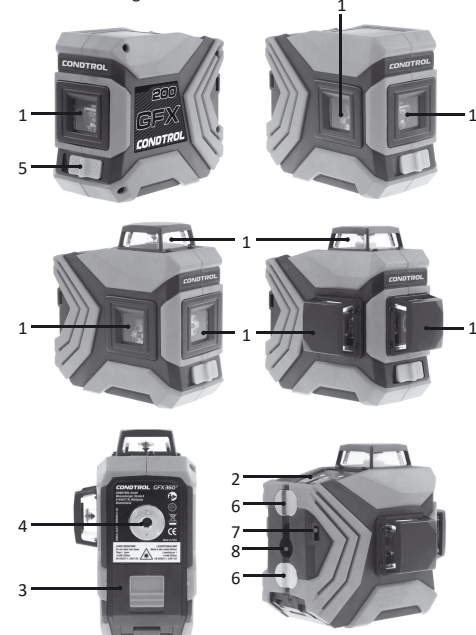
Laser levels GFX 200/GFX 300/GFX 360/GFX 360³ CONDROL are designed for projecting and controlling of vertical and horizontal planes and lines.

The laser levels have 2 operating modes:

- Locked compensator, to project inclined planes and lines;
- Automatic leveling, which allows to automatically compensate irregularities within self-leveling range of $\pm 5^\circ$.

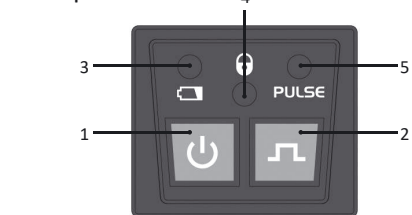
Pulse mode allows to increase working range of the laser level by using the laser receiver or to work when laser is hard to define in bright lighting conditions.

These laser levels are suitable for use at both indoor and outdoor building areas.



- 1 – Laser beam exit windows
- 2 – Control panel
- 3 – Battery door
- 4 – Tripod thread 1/4"
- 5 – Switch bar
- 6 – Magnets for fixing on vertical structures
- 7 – Hole for fixing by the cable tie
- 8 – Hole for fixing on a screw/nail

Control panel



- 1 – Switch on/off the laser lines
- 2 – Switch on off the pulse mode
- 3 – Power indicator
- 4 – Locked mode indicator
- 5 – Pulse mode indicator

3. TECHNICAL SPECIFICATIONS

	GFX200	GFX300	GFX360	GFX360 ³
Working range/with receiver*	20/40m			
Leveling accuracy	± 0.3 mm/m			
Self-leveling range	$\pm 5^\circ$			
Operating temperature	$-10^\circ\text{C} \dots +50^\circ\text{C}$			
Storage temperature	$-20^\circ\text{C} \dots +70^\circ\text{C}$			
Relative humidity	90%			
Dust and water protection rate	IP54			
Tripod thread	1/4"			
Laser	Class II 520nm < 1 mW			

Battery	3.7V 3000 mAh Li-ion rechargeable		
Dimensions	97x50x85 mm	97x50x98 mm	112x64x98 mm
Weight	0.28kg	0.29kg	0.35kg

* The working range may differ from the declared depending on the lighting conditions.

4. DELIVERY PACKAGE

GFX 200/300/360/360³
Laser level, cable tie, battery (3.7V 3000 mAh Li-ion), adapter for batteries, charging cable, bag, user manual.

GFX360 Kit/360³ Kit

Laser level, cable tie, battery (3.7V 3000 mAh Li-ion), adapter for batteries, charging cable, magnetic target, wall mount, glasses, user manual, plastic case.

5. BEFORE START OPERATION

5.1. Power supply

The device is powered via a 3.7V 3000 mAh Li-ion rechargeable battery included in the delivery package.

5.2. Install/charge the Li-ion battery

Install the battery in the battery compartment, observing the polarity.

Use only the battery included in the delivery package. If the power indicator on the control panel becomes red, charge the battery.

The battery should be charged in the following way:

- 1) Remove the battery from the device.
- 2) The battery charging time depends on the current of the adapter used:

#	Current	Charging time
1	500 mA	6 hours
2	1000 mA	3 hours
3	2A	1.5 hours

Note: It is forbidden to use adapters with an output voltage of more than 5V! It may lead to damage of the battery.

- 4) As soon as the charging time runs out, disconnect the charger and put the battery in the battery compartment.

6. OPERATION

Install the device on a firm and stable surface or tripod. Move the switch bar to select the required operation mode:

1) Unlocked mode (self-leveling)

Move the switch bar to position **ON**.

The laser level will switch on.

Short press to switch on required laser lines.

Short press to switch on/off the pulse mode.

Move the switch bar to position **OFF** to switch off the laser level.

2) Locked mode (projection of inclined planes)

The switch bar is in position **OFF**.

Press and hold during 3 seconds to switch on the laser.

Long press to switch on required laser lines.

After all possible combinations of lines are switched on, the next long press will switch off the laser level.

Press and hold during 3 seconds to switch on/off the pulse mode.

Note: To increase the operating time and avoid the risk of unintentional blinding switch on the laser only before start operation.

If operated near objects or airflows different from the environment temperature the laser line may tremble due to heterogeneity of the atmosphere. The longer the distance, the more trembling can be observed.

The width of the laser line increases with the increasing of the operating distance. The marking should be made along the axis of the laser line. For maximum accuracy, use the middle portion of the laser line.

It should be noted that the shape of the laser line on the object's surface (e.g. walls, ceilings) depends on the curvature and slope of the surface relative to the laser plane.

7. ACCURACY CHECK

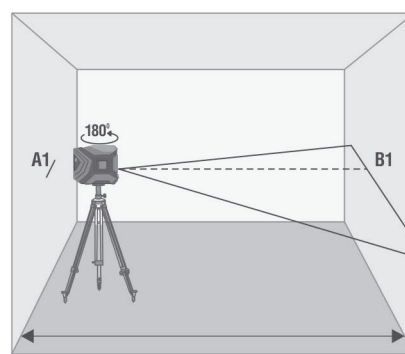
7.1. Check of horizontal line

GFX200/GFX300
Check of horizontal line is carried out by using 2 walls located opposite each other at a 5m distance.

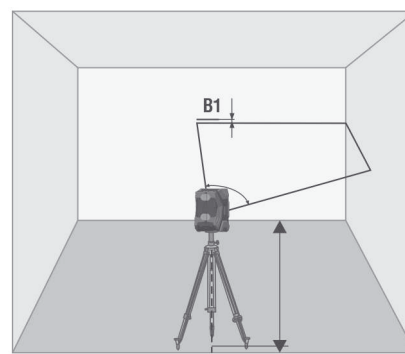
1. Put the laser level as close as possible to the wall so that laser emitters are located opposite the wall.
2. Move the switch bar to position **ON** and switch on the horizontal line.

Mark location of horizontal line on the wall as A1.

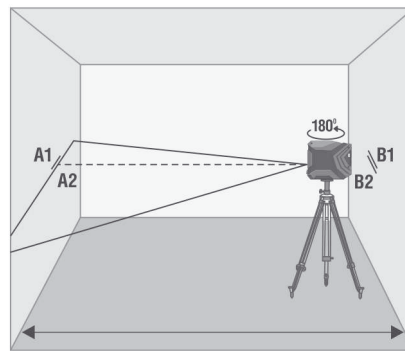
3. Rotate the laser level by 180° and mark location of horizontal line on the opposite wall as B1.



4. Turn the laser level to the right. Measure vertical deviation of the horizontal line from the point B1. If deviation exceeds 1.5 mm, – please contact the service center.
5. Repeat actions described in point 4 by turning the laser level to the left.



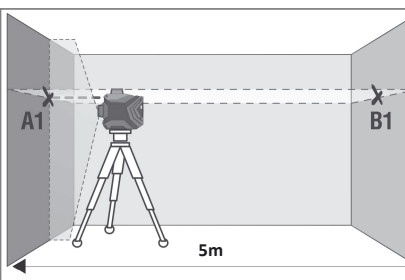
6. Move the laser level closer to the opposite wall. Mark location of horizontal line on the wall as B2.
7. Rotate the laser level by 180° and mark location of horizontal line on the opposite wall as A2.
8. Measure the distance dA, dB between points A1, A2 and B1, B2 accordingly. If the difference between values dA, dB exceeds 3 mm – please contact the service center.



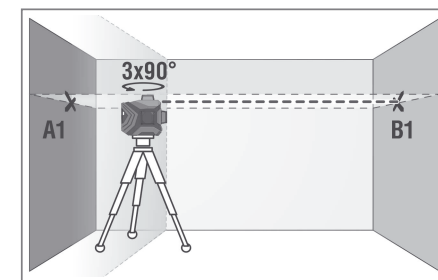
GFX360/GFX360³

Check of horizontal line is carried out by using 2 walls located opposite each other at a 5m distance.

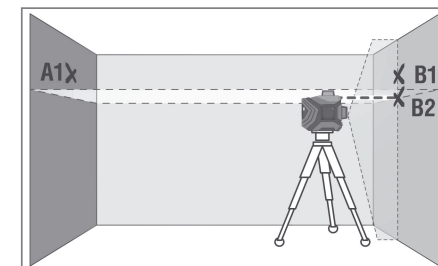
1. Put the laser level to one of the walls as close as possible. Move the switch bar to position **ON** and switch on both vertical and horizontal planes. Rotate the laser level so that laser emitters are located opposite to the near wall and laser lines cross each other. Mark location of laser lines crossing as A1. Mark location of laser lines crossing on another wall as B1.



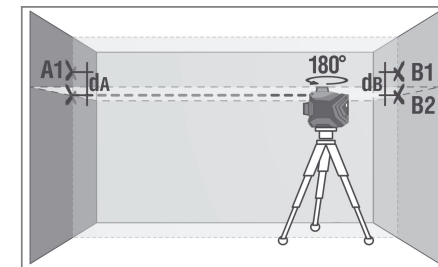
2. Rotate the laser level by 90°, measure deviation of a laser line from point B1. If deviation exceeds 1.5 mm – please contact the service center.



3. Repeat actions described in point 2 twice, rotating the laser level in one direction.
4. Install the laser level closer to the opposite wall. Mark location of laser lines crossing as B2 (points B1, B2 must be located at the same vertical).



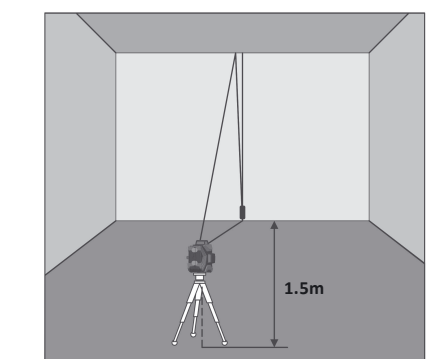
5. Rotate the laser level by 180° and mark location of laser lines crossing on the opposite wall as A2 (points A1, A2 must be located at the same vertical).
6. Measure the distance dA, dB between points A1, A2 and B1, B2 accordingly. If difference between values dA, dB exceeds 3 mm – please contact the service center.



7.2. Check of vertical line

Use a plumb bob as a reference of a vertical line. Put the laser level at 1.5m distance from the plumb bob.

1. Move the switch bar on position **ON**, and align vertical laser line with the low point of plumb bob.
2. If deviation between the laser line and the plumb line exceeds 0,3 mm per 1m of plumb bob length (for a 2.5m plumb bob deviation shouldn't exceed 0.7 mm) – please contact the service center.



8. CARE AND MAINTENANCE

Attention! This laser level is a precise optic-mechanical device and requires careful handling. Before starting work, as well as after mechanical influences (falling, bumps), check the accuracy of the device.

Observation of the following recommendations will extend the life of the device:

- Store the device, spare parts and accessories away from children and unauthorized people.
- Transport the device with locked compensator only.
- Protect the device from bumps, falls, and excessive vibration; do not let moisture, construction dust and foreign objects get inside the device.
- In case moisture gets inside the device, first of all, remove the batteries and then contact the service center.
- Do not store or use the device for a long time in high humidity conditions.
- Check the accuracy of the device occasionally (check the paragraph «Accuracy check»).

- Clean the device with a soft wet cloth. Do not use harsh chemicals, cleaning solvents or cleaning agents.

- Wipe the laser aperture with a soft lint-free cloth and isopropyl alcohol.

- Remove the Li-ion battery or alkaline batteries from the device before connecting the charger, otherwise the device may fail.

Failure to observe the following rules may lead to electrolyte leakage from the batteries and failure of the device:

- Remove the battery from the device, if it's not used for a long time.
- Do not leave discharged battery in the device.

- Avoid heating the batteries to avoid the risk of explosion and electrolyte leakage. In case of liquid contact with skin, wash it immediately with soap and water. In case of contact with eyes, flush with clean water during 10 minutes and consult the doctor.

9. UTILIZATION

Expired tools, accessories and package should be passed for waste recycle. Please send the device to the following address for proper recycle:

CONDROL GmbH
Im Wiegenfeld 4
85570 Markt Schwaben
Germany



Do not throw the device in municipal waste!

According to European directive 2002/96/EC, expired measuring tools and their components must be collected separately and submitted to environmentally friendly recycle of wastes.

10. WARRANTY

All CONDROL GmbH devices go through post-production control and are governed by the following warranty terms. The buyer's right to claim about defects and general provisions of the current legislation do not expire.

- 1) CONDROL GmbH agrees to eliminate all defects in the device, discovered during the warranty period, that represent the defect in material or workmanship in full volume and at its own expense.
- 2) The warranty period is 24 months and starts from the date of purchase by the end customer (see the original supporting document).
- 3) The warranty doesn't cover defects resulting from wear and tear or improper use, malfunction of the device caused by failure to observe the instructions of this user manual, untimely maintenance and service and insufficient care, the use of non-original accessories and spare parts. Modifications in design of the device relieve the seller from responsibility for warranty works. The warranty does not cover cosmetic damage, that doesn't hinder normal operation of the device.
- 4) CONDROL GmbH reserves the right to decide on replacement or repair of the device.
- 5) Other claims not mentioned above, are not covered by the warranty.
- 6) After holding warranty works by CONDROL GmbH warranty period is not renewed or extended.
- 7) CONDROL GmbH is not liable for loss of profit or inconvenience associated with a defect of the device, the rental cost of alternative equipment for the period of repair.

This warranty applies to German law except provision of the United Nations Convention on contracts for the international sale of goods (CISG).

In warranty case please return the device to retail seller or send it with defect description to the following address:

CONDROL GmbH
Im Wiegenfeld 4
85570 Markt Schwaben
Germany

CONDROL GmbH reserves the right to decide on replacement or repair of the device.

Other claims not mentioned above, are not covered by the warranty.

After holding warranty works by CONDROL GmbH warranty period is not renewed or extended.

CONDROL GmbH is not liable for loss of profit or inconvenience associated with a defect of the device, the rental cost of alternative equipment for the period of repair.

This warranty applies to German law except provision of the United Nations Convention on contracts for the international sale of goods (CISG).

In warranty case please return the device to retail seller or send it with defect description to the following address:

CONDROL GmbH
Im Wiegenfeld 4
85570 Markt Schwaben
Germany

DE Kreuzlinienlaser GFX 200/300/360/360³

Bedienungsanleitung

Herzlichen Glückwunsch zum Kauf Ihres Kreuzlinienlasers CONDROL GFX 200/ GFX 300/ GFX 360/ GFX360³. Die Sicherheitshinweise finden Sie am Ende der deutschen Anleitung. Bitte lesen Sie diese sorgfältig durch, bevor Sie das Gerät das erste Mal verwenden.

1. SICHERHEITSHINWEISE

Vorsicht! Die Bedienungsanleitung ist Bestandteil des Gerätes. Vor Gebrauch des Gerätes lesen Sie die beiliegende Bedienungsanleitung sorgfältig durch. Bei der Übergabe des Gerätes zur zeitweiligen Nutzung legen Sie diese Anleitung bei.

- Das Gerät darf nur zweckmäßig verwendet werden.
- Aufkleber und Warnschilder sollen stets am Gerät verbleiben, vermeiden Sie deren Unkenntlichmachung, denn sie enthalten Informationen über eine sichere Verwendung Ihres Gerätes.



Laserstrahlung!
Nicht in den Strahl blicken!
Laserklasse 2
<1 mW 520 nm
EN60825-1:2014

- Blicken Sie nicht in den Laserstrahl oder seine Reflektion, insbesondere mit ungeschütztem Auge und auch nicht mit optischen Instrumenten. Richten Sie den Laserstrahl nicht auf Personen oder Tiere. Ihr Augenlicht ist in Gefahr.

- Aus Sicherheitsgründen Augen schließen oder wegblicken.
- Den Laserstrahl bzw. die Laserebene nicht auf Augenhöhe einrichten.

- Andere Personen dürfen sich nicht in der Arbeitszone befinden.

- Das Gerät soll außerhalb der Reichweite von Kindern und Dritten verwendet und aufbewahrt werden.

- Nehmen Sie das Gerät nicht selbstständig auseinander und reparieren es nicht. Die Reparatur und Wartung darf nur durch qualifiziertes Fachpersonal erfolgen, das originale Ersatzkomponenten einsetzt.

- Verwenden Sie das Gerät nicht in einer explosionsgefährdeten Umgebung, wie in der Nähe von leicht entflammaren Stoffen.

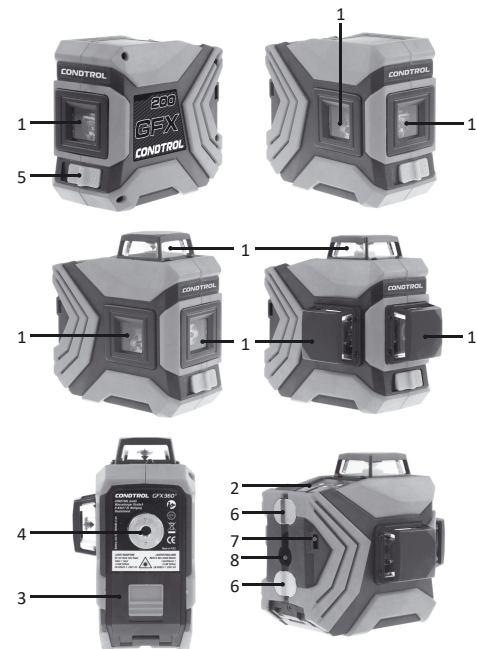
- Vermeiden Sie eine Batterieerhitzung, um das Risiko von Elektrolytaustritt zu reduzieren. Bei Hautkontakt mit Batteriesäure waschen Sie sofort die betroffenen Stellen mit Wasser und Seife. Bei Kontakt der Flüssigkeit mit Augen, reinigen Sie diese mindestens 10 Minuten lang mit klarem Wasser und suchen Sie anschließend einen Arzt auf.

2. PRODUKTBESCHREIBUNG

Die Kreuzlinienlaser GFX 200/ GFX 300/ GFX 360/ GFX360³ CONDROL wurden für Projektion und Überwachung von vertikalen und horizontalen Linien und Ebenen entwickelt. Das Gerät hat 2 Betriebsmodi:

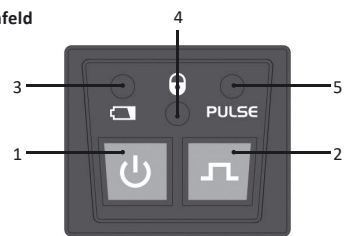
- gesperrter Kompensator zur Projektion von geneigten Ebenen und Linien;
- automatische Nivellierung, die das Ausgleichen von bestehenden Unregelmäßigkeiten innerhalb eines Selbstnivellierungsbereiches bis zu 5° ermöglicht.

Impuls-Modus dient zur Erweiterung des Arbeitsbereiches mit Hilfe des Empfängers und zur Arbeit bei sehr hellen Lichtverhältnissen, wenn es schwer ist, den Laserstrahl zu bestimmen. Das Produkt ist für den Außen- und Innenbereich geeignet.



- 1 - Austrittsöffnung der Laserstrahlen
- 2 - Bedienfeld
- 3 - Batterieklappe
- 4 - Stativ-Gewinde 1/4"
- 5 - Schalter
- 6 - Magnete für Befestigung an den vertikalen Konstruktionen
- 7 - Bohrung für die Befestigung mit einem Kabelbinder
- 8 - Bohrung für die Befestigung mit Schraube / Nagel

Bedienfeld



- 1 - Ein-/Ausschalten der Laserstrahlen
- 2 - Ein-/Ausschalten des Impuls-Modus
- 3 - Betriebsanzeige
- 4 - Anzeige für gesperrten Kompensator
- 5 - Anzeige für Impuls-Modus

3. TECHNISCHE SPEZIFIKATIONEN

	GFX 200	GFX 300	GFX 360	GFX 360 ³
Arbeitsbereich / mit Empfänger*	20 m/40 m			
Nivellierung	±0,3 mm/m			
Selbstnivellierungsbereich	± 5°			
Betriebstemperatur	-10°C ... +50°C			
Lagertemperatur	-20°C ... +70°C			
Relative Luftfeuchtigkeit	90%			
Wasser- und Staubschutz	IP54			
Stativ-Gewinde	1/4"			
Lasertyp	Klasse II 520 nm < 1 mW			
Batterien	3,7 V 3000 mAh Li-Ion Batterie			
Abmessungen	97x50x85 mm	97x50x98 mm	112x64x98 mm	
Gewicht	0,28kg	0,29kg	0,35kg	

* Der Arbeitsbereich kann je nach Lichtverhältnissen vom angegebenen abweichen.

4. LIEFERUMFANG

GFX 200/300/360/360³
Kreuzlinienlaser, Kabelbinder, Akku (3,7 V 3000 mAh Li-ion), Batterieadapter, Ladekabel, Tragetasche, Bedienungsanleitung.

GFX360 Kit/360³ Kit
Kreuzlinienlaser, Kabelbinder, Akku (3,7 V 3000 mAh Li-ion), Batterieadapter, Ladekabel, Magnetische Zieltafel, Wandhalterung, Lasersichtbrille, Tragetasche, Bedienungsanleitung, Kunststoffkoffer.

5. VOR INBETRIEBNAHME

Energieversorgung

Die Energieversorgung des Kreuzlinienlasers erfolgt durch eine mitgelieferte Li-Ion Batterie 3.7V 3000 mAh.

Li-Ion-Batterie aufladen/ einsetzen
Setzen Sie eine Batterie im Batteriefach unter Beachtung der Polarität ein.

Verwenden Sie nur die mitgelieferte Batterie. Wenn die Betriebsanzeige auf dem Bedienfeld rot blinkt, muss die Batterie geladen werden.

Das Ladeverfahren ist wie folgt:

- 1) Nehmen Sie die Batterie aus dem Gerät.
- 2) Schließen Sie die Batterie an die Stromquelle durch das mitgelieferte Ladekabel.
- 3) Die Batterieladezeit hängt von der Stromstärke des verwendbaren Adapters ab:

Nr.	Stromstärke	Ladezeit
1	500 mA	6 Stunden
2	1000 mA	3 Stunden
3	2A	1,5 Stunden

Vorsicht: Es ist verboten, Adapter mit einer Ausgangsspannung höher als 5V zu verwenden! Das kann zu Verletzungen der Batterie führen.

4) Sobald die Batterieanzeige auf dem Bedienfeld grün wird, trennen Sie das Ladegerät und setzen Sie die Batterie im Batteriefach ein.

BETRIEB

Positionieren Sie das Gerät auf einem Stativ oder auf einer stabilen Fläche. Drehen Sie den Schalter und wählen Sie den Modus aus:

1) Automatische Nivellierung

Stellen Sie den Schalter auf die Position ON. Der Laser wird automatisch eingeschaltet.

Drücken kurz Sie kurz die Taste , um die gewünschten Laserstrahlen einzuschalten.

Drücken kurz Sie kurz die Taste , um den Impuls-Modus ein-/auszuschalten.

Stellen Sie den Schalter auf die Position OFF, um das Gerät auszuschalten.

2) Projektion von geneigten Ebenen und Linien

Stellen Sie den Schalter auf die Position OFF.

Drücken Sie und halten die Taste 3 Sekunden gedrückt, um das Gerät einzuschalten.

Drücken Sie und halten die Taste 3 Sekunden mehrmals nacheinander gedrückt, um erforderliche Laserlinien einzuschalten.

Nachdem alle möglichen Kombinationen von Laserlinien aktiviert sind, kann man durch langes Drücken der Taste das Gerät ausschalten.

Drücken Sie und halten die Taste 3 Sekunden gedrückt, um den Impuls-Modus ein-/auszuschalten.

Achtung! Um die Betriebszeit zu erhöhen und das Risiko unbeabsichtigter Blindheit zu vermeiden, wählen Sie die Mindestzahl der erforderlichen eingeschalteten Laserlinien aus.

Wenn Sie in der Nähe von Objekten oder Luftströmen mit der von der Umgebung abweichenden Temperatur arbeiten, kann die Laserlinie aufgrund der Heterogenität der Atmosphäre zittern. Je länger der Abstand ist, desto mehr zittert die Laserlinie.

Die Breite der Laserlinie erhöht sich, sobald auch der Betriebsabstand zunimmt. Das Layout sollte entlang der Achse der Laserlinie erfolgen. Für maximale Genauigkeit verwenden Sie den mittleren Teil der Laserlinie.

Es sollte beachtet werden, dass die Form der Laserlinien auf der Oberfläche des Objektes (z. B. Wände, Decken usw.) von der Krümmung und Neigung der Oberfläche relativ zur Laserlinie abhängt.

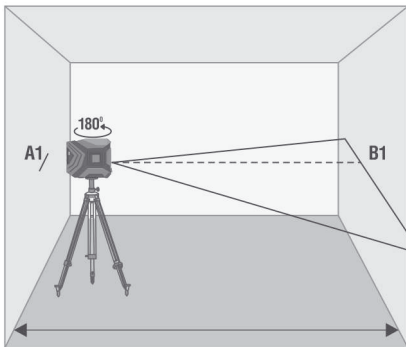
7. GENAUIGKEITSÜBERPRÜFUNG

7.1 Überprüfung der Horizontallinie

GFX 200/ GFX 300

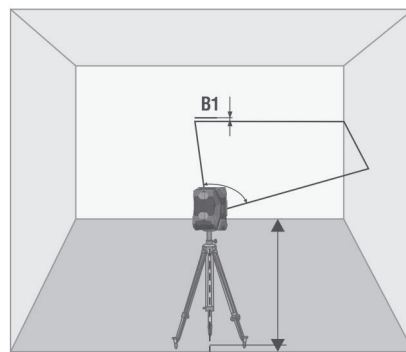
Die Überprüfung der Horizontallinie erfolgt zwischen 2 Wänden, die mindestens 5 m voneinander entfernt sind.

1. Positionieren Sie das Gerät so nahe wie möglich zu einer Wand. Drehen Sie das Gerät auf die nächstliegende Wand.
2. Stellen Sie den Schalter auf die Position ON. Schalten Sie den horizontalen Laserstrahl ein. Markieren Sie die Position des Laserstrahles als Punkt A1.
3. Drehen Sie das Gerät um 180° und markieren Sie die Position des Laserstrahles an der gegenüberliegenden Wand als Punkt B1.



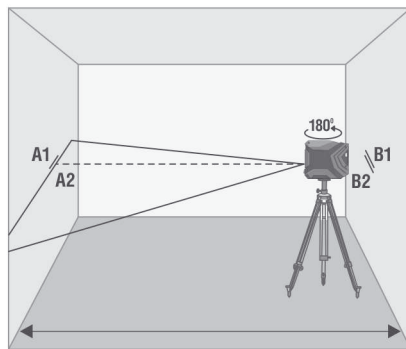
4. Drehen Sie das Gerät nach rechts, messen Sie die vertikale Abweichung der Achse des horizontalen Laserstrahles von dem Punkt B1.

5. Drehen Sie das Gerät nach links, wiederholen Sie Punkt 4 noch ein Mal.



6. Stellen Sie das Gerät zur gegenüberliegenden Wand um, markieren Sie die Position des Laserstrahles als Punkt B2.
7. Drehen Sie das Gerät um 180° und markieren Sie die Position des Laserstrahles an der gegenüberliegenden Wand als Punkt A2.

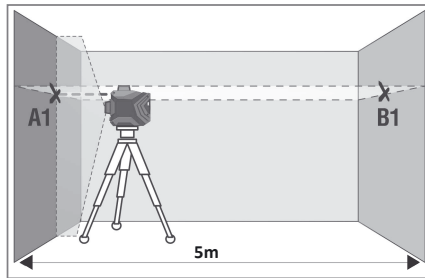
8. Messen Sie den vertikalen Abstand zwischen Punkten A1, A2 und B1, B2. Messen Sie den Abstand dA, dB zwischen Punkten A1, A2 bzw B1, B2. Wenn die Differenz zwischen dA- und dB-Werten 3 mm überschreitet, wenden Sie sich an den Kundenservice.



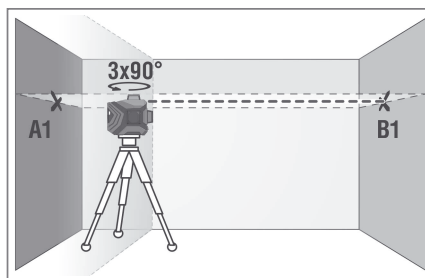
GFX360/GFX360³

Die Überprüfung erfolgt zwischen 2 Wänden, die mindestens 5 m voneinander entfernt sind.

1. Positionieren Sie das Gerät so nahe wie möglich zu einer Wand und schalten den horizontalen und vertikalen Laserstrahl ein. Stellen Sie den Schalter auf die Position ON. Drehen Sie das Gerät und richten den Laserstrahl auf die nächstliegende Wand so, dass die kreuzenden Laserstrahlen gegenüber dem Gerät sind. Markieren Sie die Position der kreuzenden Laserstrahlen als Punkt A1. Markieren Sie die Position der kreuzenden Laserstrahlen an der gegenüberliegenden Wand als Punkt B1.



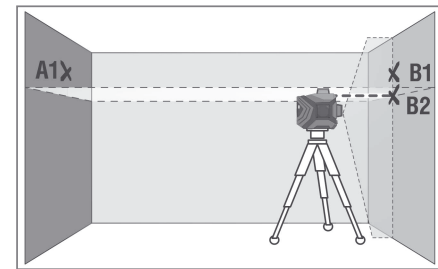
2. Drehen Sie das Gerät um 90° und messen die Abweichung des Laserstrahls vom Punkt B1. Wenn die Abweichung größer als 1,5 mm ist, wenden Sie sich an den Kundenservice.



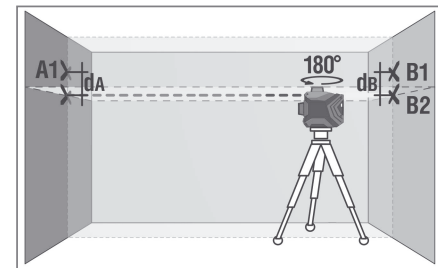
3. Wiederholen Sie den in Punkt 2 beschriebenen Vorgang zweimal durch Drehen des Geräts in einer Richtung.

4. Stellen Sie das Gerät näher an die gegenüberliegende Wand. Markieren Sie die Position der kreuzenden Laserstrahlen als Punkt B2 (Punkte B1, B2 sollen in derselben Vertikalebene liegen).

5. Drehen Sie das Gerät um 180° und markieren die Position der kreuzenden Laserstrahlen an der gegenüberliegenden Wand als Punkt A2 (Punkte A1, A2 sollen in derselben Vertikalebene liegen).



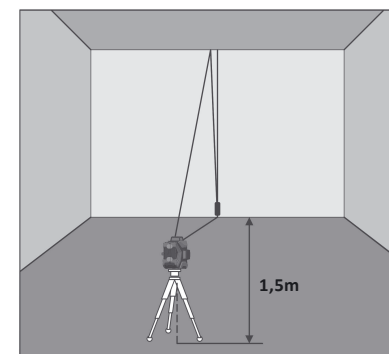
6. Messen Sie den Abstand dA, dB zwischen Punkten A1, A2 bzw B1, B2. Wenn die Differenz zwischen dA- und dB-Werten 3 mm überschreitet, wenden Sie sich an den Kundenservice.



7.2 Überprüfung der Vertikallinie

Verwenden Sie ein Senklot als vertikale Referenzlinie. Positionieren Sie das Gerät ca. 1,5 m von dem Senklot entfernt.

1. Stellen Sie den Schalter auf die Position ON und schalten den vertikalen Laserstrahl ein. Richten Sie vertikale Laserlinie auf den Tiefpunkt des Senklots.
2. Wenn die Abweichung der Laserlinie von der Referenzlinie 0,3 mm per 1 m des Senklots (z.B. maximale Abweichung für ein Senklot mit einer Länge 2,5 m soll nicht größer als 0,7 mm sein) überschreitet, wenden Sie sich an den Kundenservice.



8. PFLEGE

Achtung! Der Kreuzlinienlaser ist ein präzises Gerät und soll stets vorsichtig behandelt werden. Prüfen Sie den Zustand des Gerätes, bevor Sie es verwenden. Überprüfen Sie die Genauigkeit des Gerätes, wenn es gefallen lassen wurde oder anderen mechanischen Belastungen ausgesetzt war.

Die Beachtung der folgenden Vorschriften verlängert die Funktionsdauer des Gerätes:

- Bewahren Sie das Gerät, Ersatz- und Zubehörteile außerhalb der Reichweite von Kindern und fremden Personen auf.
- Das Gerät soll nur mit dem gesperrten Kompensator transportiert werden.
- Vermeiden Sie Stöße, Fälle, starke Vibrationen sowie Eindringen von Flüssigkeit, Baustaub, fremden Gegenständen in das Gerät.
- Im Fall des Wassereindringens in das Gerät entfernen Sie zuerst die Batterie, wenden Sie sich dann an das Servicezentrum.
- Das Gerät darf nicht lange bei starker Feuchtigkeit aufbewahrt und verwendet werden.
- Prüfen Sie regelmäßig die Genauigkeit (siehe Abschnitt «Genauigkeitsüberprüfung»).
- Reinigen Sie das Gerät mit einem weichen feuchten Tuch. Verwenden Sie keine aggressiven Chemikalien, Reinigungslösungen oder ätzenden Mittel.
- Reinigen Sie den Laserstrahlapertur regelmäßig mit einem weichen fusselfreien Tuch, das mit Isopropylalkohol befeuchtet wurde.

Nichtbeachten der folgenden Anweisungen kann zum Elektrolytaustausch und Gerätebeschädigung führen:

- Nehmen Sie die Batterie aus dem Gerät aus, falls es für die lange Zeit nicht eingesetzt wird.
- Lassen Sie im Gerät keine entladenen Batterien.
- Vermeiden Sie eine Batterieerhitzung, um das Risiko von Elektrolytaustritt zu reduzieren. Bei Hautkontakt mit Batteriesäure waschen Sie sofort die betroffenen Stellen mit Wasser und Seife. Bei Kontakt der Flüssigkeit mit Augen, reinigen Sie diese mindestens 10 Minuten lang mit klarem Wasser und suchen Sie anschließend einen Arzt auf.

9. ENTSORGUNG

Geräte, Zubehör und die Verpackung sollen recycelt werden (Wiederverwertung). Zum Recycling schicken Sie das Gerät bitte an:

CONDROL GmbH
Im Wiegenfeld 4
85570 Markt Schwaben
Deutschland



Werfen Sie das Gerät nicht in den Restmüll. Gemäß der Europäischen Richtlinie 2002/96/EG über Altgeräte mit Elektronik und ihrer Umsetzung in nationales Recht sind Sie verpflichtet, nicht mehr gebrauchsfähige Messwerkzeuge getrennt zu sammeln und zu einer Recyclingstelle zu bringen.

10. GARANTIE

Alle Geräte der CONDROL GmbH werden vor dem Verlassen der Produktion geprüft und unterliegen den folgenden Garantiebestimmungen. Mängelhaftungsansprüche des Käufers und gesetzliche Rechte bleiben davon unberührt.

- 1) Die CONDROL GmbH verpflichtet sich zur kostenlosen Behebung der Mängel am Gerät, falls diese nachweislich innerhalb der Garantiezeit auf einen Material- oder Produktionsfehler zurückzuführen sind.
- 2) Die Garantiezeit beträgt 24 Monate bei gewerblichen Produkten und beginnt ab Datum des Kaufs an den ersten Endabnehmer (siehe Originalbeleg). Die Betriebsdauer Ihres Gerätes beträgt 36 Monate.
- 3) Die Garantie trifft nicht für Teile zu, deren Fehlfunktion auf Gebrauch oder Verschleiß zurückzuführen sind. Für Mängel am Gerät, die durch Nichtbeachten der Bedienungsanleitung, nicht bestimmungsgemäßem Gebrauch, unzureichendem Service und Pflege, Verwendung von Nicht-CONDROL GmbH-Zubehör oder Ersatzteilen entstehen, gilt die Garantie nicht. Durch Veränderungen oder Zusätze am Gerät erlischt die Garantie. Für Mängel, die den normalen Gebrauch des Gerätes nicht beeinträchtigen, gilt die Garantie nicht.
- 4) Die CONDROL GmbH behält sich das Recht vor, nach eigener Entscheidung das Gerät zu reparieren oder zu ersetzen.
- 5) Andere Ansprüche als die oben genannten werden nicht über die Garantie abgedeckt.
- 6) Nach Garantieleistungen durch die CONDROL GmbH wird die Garantiezeit nicht erneuert und auch nicht verlängert.
- 7) Die CONDROL GmbH übernimmt keine Verantwortung für Gewinnverlust und andere Umstände, die mit dem defekten Gerät in Verbindung stehen. Die CONDROL GmbH übernimmt keine Kosten für Miet- oder Leihgeräte während der Reparatur. Für die Garantie gilt deutsches Recht. Ausgeschlossen ist das CISG (Übereinkommen der Vereinten Nationen über den internationalen Warenkauf). Änderungen vorbehalten.

11. WARTUNG UND REPARATUR

Falls das Geraet defekt ist, bringen Sie es bitte zu Ihrem Haendler zurueck. Falls Sie das Geraet nicht bei einem Haendler gekauft haben, schicken Sie es mit einer Fehlerbeschreibung bitte an:

CONDROL GmbH
Im Wiegenfeld 4
85570 Markt Schwaben
Deutschland

Waehrend des Transports und der Aufbewahrung sollte das Geraet in seiner Tasche oder Koffer sein. Saeubern Sie besonders die Austrittsfenster der Laserstrahlen und vermeiden Sie die dort Fusselbildung. Die Saeuberung mit Reinigungs- und Loesungsmittel ist untersagt. Verwenden Sie anstelle ein weiches, feuchtes Tuch. Halten Sie das Geraet nicht unter Wasser oder in andere Fluessigkeiten. Das eigenstaendige Oeffnen des Geraets ist untersagt. Es darf nur von einem autorisierten Servicezentrum geoeffnet werden.

Gratulujemy zakupu niwelatora laserowego CONDROL GFX 360/GFX 360³.

Przed pierwszym użyciem produktu prosimy o dokładne zapoznanie się z zaleceniami dotyczącymi bezpieczeństwa znajdującymi się na końcu niniejszej instrukcji.

ZALECENIA DOTYCZĄCE BEZPIECZEŃSTWA

Uwaga! Niniejsza instrukcja obsługi stanowi integralną część urządzenia. Przed rozpoczęciem pracy z urządzeniem należy dokładnie zapoznać się z instrukcją obsługi. Przekazując urządzenie do czasowego użytkownika, należy pamiętać o dołączeniu do niego niniejszej instrukcji.

- Nie należy używać produktu do niewłaściwych celów.
- Nie należy usuwać naklejek i etykiet chroniących przed ścieraniem, ponieważ zawierają one informacje o bezpiecznym użytkowaniu urządzenia.



Promieniowanie laserowe!
Nie kierować w stronę oczu
Laser klasy 2
<1 MW, 520 nm
IEC 60825-1: 2007-03

- Nie należy patrzeć w wiązkę lasera ani w jej odbicie, zarówno niezabezpieczonym okiem, jak i przez urządzenia optyczne. Nie należy niepotrzebnie kierować wiązkę lasera na ludzi lub zwierzęta. Można ich oslepić.
- Ochrona oczu polega zazwyczaj na odwodzeniu wzroku lub zamykanie oczu.
- Urządzenie należy zawsze instalować w taki sposób, aby wiązkę lasera przechodziły powyżej lub poniżej poziomu oczu.
- Nie wolno dopuścić do tego, aby osoby nieupoważnione weszły na teren, na którym urządzenie jest używane.
- Produkt należy przechowywać w miejscu niedostępnym dla dzieci i osób nieupoważnionych.
- Konserwacja i naprawy powinny być powierzane wyłącznie wykwalifikowanym specjalistom i z użyciem oryginalnych części zamiennych.
- Nie należy eksploatować urządzenia w środowisku wybuchowym, w pobliżu materiałów łatwopalnych.
- Nie należy podgrzewać baterii, aby uniknąć ryzyka wybuchu i rozlania elektrolitu. Jeśli na skórę dostanie się płyn, należy natychmiast przepłukać dotknięte miejsce wodą i mydłem. W przypadku kontaktu z oczami przepłukać je czystą wodą przez 10 minut, a następnie zgłosić się do lekarza.

OPIS URZĄDZENIA

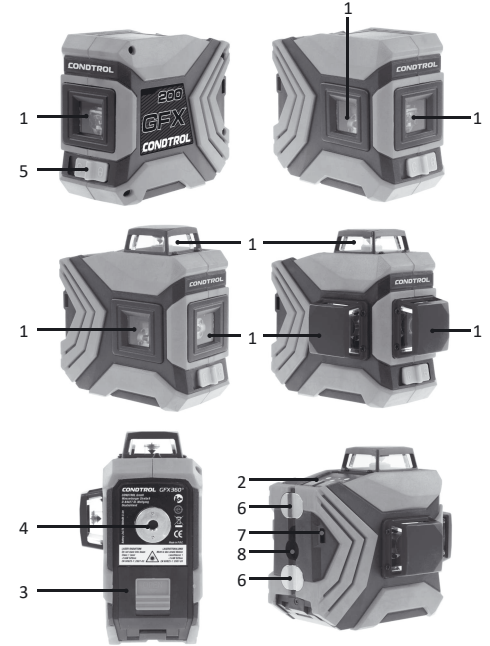
Niwelatory laserowe GFX 360/GFX 360³ CONDROL przeznaczone są do tworzenia i sterowania płaszczyznami, liniami pionowymi i poziomymi.

Urządzenie posiada 2 tryby robocze:

- z zablokowanym kompensatorem, do tworzenia płaszczyzn i linii pod dowolnym kątem;
- z automatyczną kompensacją nachylenia korpusu narzędzia do 5°.

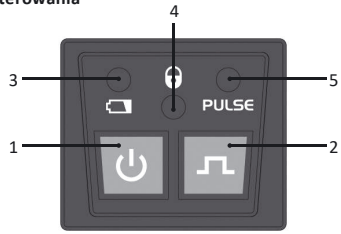
Tryb impulsowy pozwala na zwiększenie zasięgu działania detektora, jak również na pracę z detektorem w dobrych warunkach oświetleniowych, gdy wiązka lasera jest słabo widoczna.

Narzędzie nadaje się zarówno do użytku wewnętrznego, jak i zewnętrznego.



- 1 - Okna emiterów laserowych
- 2 - Panel kontrolny
- 3 - Pokrywa komory baterii
- 4 - Gwint pod statyw 1/4"
- 5 - Suwak blokujący
- 6 - Magnesy do mocowania na pionowych strukturach
- 7 - Otwór do mocowania na obejmie
- 8 - Pętla do mocowania na wkręt/gwóźdź

Panel sterowania



- 1 - Włączanie/wyłączanie emiterów laserowych
- 2 - Włączanie/wyłączanie trybu impulsowego
- 3 - Wskaźnik zasilania
- 4 - Wskaźnik blokady kompensatora
- 5 - Wskaźnik trybu impulsowego

CHARAKTERYSTYKA TECHNICZNA

	GFX200	GFX300	GFX360	GFX360 ³
Zakres roboczy/ z detektorem*	20 m/40 m			
Dokładność samoczynnego poziomowania	±0.3 mm/m			
Zakres samoczynnego poziomowania	± 5°			
Temperatura robocza	-10°C ... +50°C			
Temperatura przechowywania	-20°C ... +70°C			
Wilgotność względna powietrza	90%			
Stożek ochrony przed wilgocią i kurzem	IP54			
Rodzaj gwintu do montażu na statywie	1/4"			
Typ lasera	Klasa II 520 nm < 1 MW			
Źródło zasilania	3.7B 3000 mAh akumulator litowo-jonowy			
Wymiary gabarytowe	97x50x85 mm	112x64x98 mm	112x64x98 mm	
Waga	0.28 kg	0.28 kg	0.35 kg	

*Zakres roboczy może różnić się od podanego w zależności od warunków oświetlenia.

WYPOSAŻENIE

GFX 200/300/360/360³

Laser krzyżowy, opaska kablowa, elementy zasilania (3.7 B 3000 mAh Li-ion), adapter dla baterii, kabel do ładowania, futerał, instrukcja obsługi.

GFX360 Kit/360³ Kit

Laser krzyżowy, opaska kablowa, elementy zasilania (3.7 B 3000 mAh Li-ion), adapter dla baterii, kabel do ładowania, magnetyczne cel laserowy, uchwyty ścienny, okulary laserowe, instrukcja obsługi, obudowa plastikowa.

PRZYGOTOWANIE DO PRACY Z PRZYBOREM

Zasilanie urządzenia

Narzędzie jest zasilane za pomocą dołączonego do zestawu akumulatora litowo-jonowego 3,7 V 3000 mAh.

Instalacja/zamiana baterii/ładowanie litowo-jonowego akumulatora

Włóż baterię do komory baterii, zwracając uwagę na biegunowość.

Używać tylko akumulatora dostarczonego wraz z baterią. Jeśli wskaźnik zasilania na panelu sterowania zmieni kolor na czerwony, należy naładować akumulator.

Ładowanie akumulatora odbywa się w następujący sposób:

- 1) Wyjąć akumulator z przyrządu.
- 2) Za pomocą dołączonego kabla do ładowania należy podłączyć akumulator do zewnętrznego źródła zasilania. Czas ładowania akumulatora zależy od natężenia prądu stosowanego adaptera:

Nr	Natężenie prądu	Czas ładowania
1	500 mA	6 godzin
2	1000 mA	3 godziny
3	2A	1,5 godziny

Uwaga: Zabrania się używania adapterów o napięciu wyjściowym większym niż 5 V! Może to spowodować uszkodzenie baterii.

- 3) Po upływie czasu ładowania należy odłączyć ładowarkę i umieścić akumulator w komorze baterii.

OBSŁUGA NARZĘDZIA

Zamontować narzędzie na twardej, stabilnej powierzchni lub na statywie.

Wybrać tryb pracy za pomocą suwaka blokującego:

Tryb automatycznej kompensacji

Przesunąć suwak blokady w położenie ON. Urządzenie włącza się automatycznie.

Poprzez krótkotrwałe naciśnięcie klawisza włączyć niezbędne do pracy emitory laserowe.

Poprzez krótkotrwałe naciśnięcie klawisza włączyć/wyłączyć tryb pracy z odbiornikiem.

W celu włączenia urządzenia należy przesunąć suwak blokady w położenie OFF.

Tryb tworzenia płaszczyzny nachylonej

Przesunąć suwak blokady w położenie OFF.

Włączyć urządzenie poprzez długotrwałe naciśnięcie klawisza

w ciągu 3 sekund.

Poprzez długie i następujące po sobie naciśnięcia klawisza

w ciągu 3 sekund włączą się niezbędne do pracy emitory laserowe.

Po włączeniu wszystkich możliwych kombinacji linii laserowych długie naciśnięcie klawisza wyłączy urządzenie.

Włączyć/wyłączyć tryb pracy z odbiornikiem długim naciśnięciem przycisku w ciągu 3 sekund.

Uwaga: Aby wydłużyć czas pracy, a także zmniejszyć ryzyko niezamierzonego osłepiania, należy wybrać minimalną wymaganą liczbę włączonych modułów laserowych. Podczas pracy w pobliżu przedmiotów lub strumieni powietrza, które różnią się temperaturą od otoczenia z powodu niejednorodnej atmosfery, linia laserowa może się trząść. Gdy odległość się zwiększa, efekt się wzmacnia. Wraz ze wzrostem odległości zwiększa się szerokość linii laserowej. Oznaczenia powinny być wykonywane wzdłuż osi linii laserowej. Aby uzyskać maksymalną dokładność, należy użyć środkowej części linii laserowej. Należy pamiętać, że kształt linii laserowych na powierzchni obiektu (np. ścian, podłóg, itp.) zależy od krzywizny i nachylenia powierzchni w stosunku do płaszczyzny lasera.

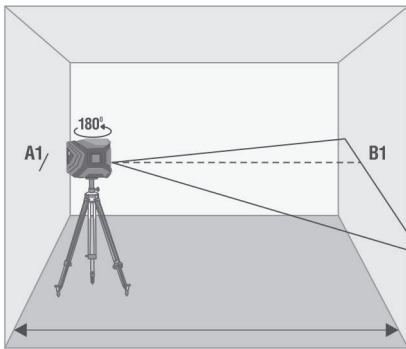
KONTROLA DOKŁADNOŚCI

Sprawdzanie poziomu

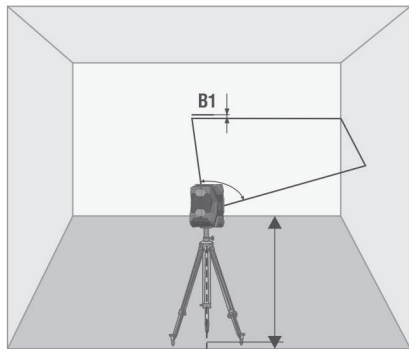
GFX200/GFX300

W celu sprawdzenia potrzebne są 2 równoległe, pionowe ściany, położone naprzeciw siebie w odległości nie mniejszej niż 5 m.

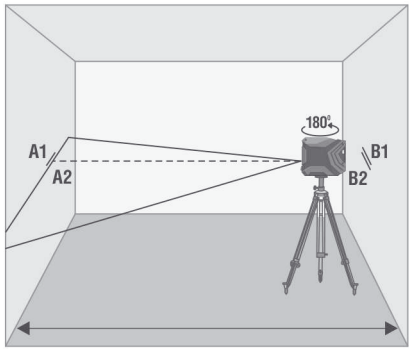
1. Umieścić urządzenie jak najbliższej jednej ze ścian, obrócić urządzenie wraz z emitorami w kierunku jednej ze ścian.
2. Odblokować kompensator, włączyć emiter poziomy, zaznaczyć położenie osi wiązki poziomej na ścianie przy ścianie. – znak A1.
3. Obrócić urządzenie o 180° i zaznaczyć położenie wiązki na drugiej ścianie – znak B1.



4. Obrócić przyrząd w prawo, zmierzyc odchylenie pionowe osi wiązki poziomej od znaku B1. Jeśli odchylenie przekracza 1,5 mm, należy skontaktować się z centrum serwisowym.
5. Powtórzyć punkt 4, przekręcając narzędzie w lewo.



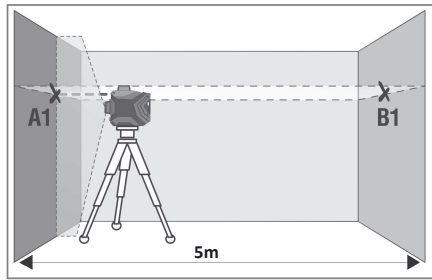
6. Przenieść narzędzie na przeciwną ścianę, zaznaczyć pozycję osi poziomej belki na bliższej ścianie – znak B2.
7. Obrócić narzędzie o 180° i zaznaczyć pozycję osi poziomej wiązki na przeciwną ścianie - znak A2.
8. Zmierzyc pionową odległość między znakami A1, A2 i B1, B2. Zmierzyc odległości dA, dB między oznakowaniami odpowiednio A1, A2 i B1, B2. Jeśli różnica między wartościami dA, dB przekracza 3 mm – należy zwrócić się do centrum serwisowego.



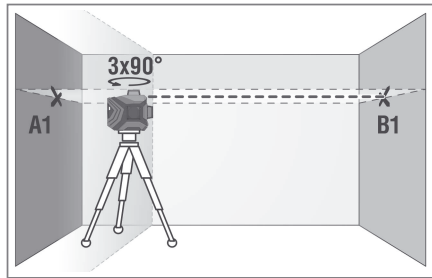
GFX360/GFX360³

W celu sprawdzenia potrzebne są 2 równoległe, pionowe ściany, położone naprzeciw siebie w odległości nie mniejszej niż 5 m.

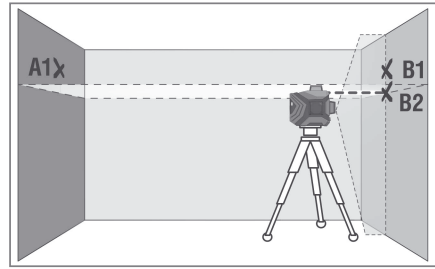
1. Umieścić urządzenie jak najbliższej jednej ze ścian. Włączyć emitory pionowe i poziome i odblokować kompensator. Obrócić przyrząd z promiennikami skierowanymi w stronę ściany, tak aby przecięcie się linii lasera na ścianie znajdowało się naprzeciwko urządzenia. Zaznaczyć pozycję przecięcia linii laserowych A1. Zaznaczyć punkt B1 na ścianie naprzeciwko przyrządu.



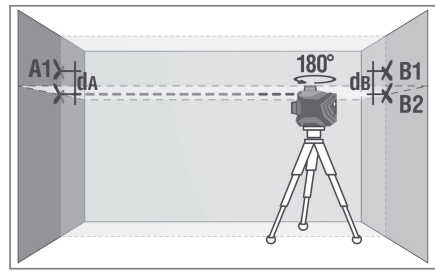
2. Obrócić przyrząd o 90°, zmierzyc odchylenie osi wiązki od znaku B1. Jeśli odchylenie przekracza 1,5 mm – należy zwrócić się do centrum serwisowego.



3. Powtórzyć punkt 2 jeszcze 2 razy, obracając przyrząd w jednym kierunku.
4. Przenieść przyrząd do przeciwną ścianę, zaznaczyć przecięcie linii laserowych znakiem B2 (znaki B1, B2 powinny znajdować się w jednym pionie).



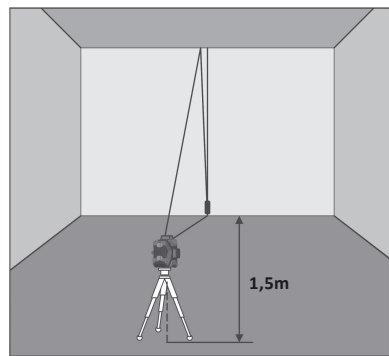
5. Obrócić przyrząd o 180° i zaznaczyć przecięcie linii laserowych na przeciwną ścianę znakiem A2 (znaki A1, A2 muszą znajdować się na tym samym pionie).
6. Zmierzyc odległość dA, dB odpowiednio między znakami A1, A2 i B1, B2. Jeśli różnica między wartościami dA, dB przekracza 3 mm – należy zwrócić się do centrum serwisowego.



Sprawdzanie pionu

Jako odniesienia pionowości należy użyć pionu. Umieść przyrząd w odległości około 1,5 m od pionu.

1. Odblokować kompensator, włączyć emiter pionowy, wyrównać oś pionowej linii lasera z dolnym punktem pionu.
2. Jeśli odchylenie osi linii pionowej od zawieszania przekracza 0,3 mm na 1 m długości zawieszania (np. dla pionu o długości 2,5 m - maksymalne odchylenie nie powinno przekraczać 0,7 mm) - należy skontaktować się z centrum serwisowym.



KONSERWACJA I EKSPLOATACJA

Uwaga! Urządzenie jest precyzyjnym urządzeniem optyczno-mechanicznym i wymaga starannej obsługi. Przed rozpoczęciem pracy, jak również po oddziaływaniach mechanicznych (upadki, uderzenia) należy sprawdzić dokładność urządzenia.

Przestrzeżenie następujących zaleceń przedłuży okres użytkowania urządzenia:

- Produkt, części zamienne i akcesoria należy przechowywać w miejscu niedostępnym dla dzieci i osób nieupoważnionych.
- Przemieszczać urządzenie tylko z zablokowanym kompensatorem.
- Chronić urządzenie przed wstrząsami, upadkami, silnymi wibracjami, wilgocią, pyłem budowlanym i ciałami obcymi.
- W przypadku dostania się wilgoci do urządzenia, należy najpierw wyjąć baterie, a następnie skontaktować się z centrum serwisowym.
- Nie należy przechowywać ani używać urządzenia przez dłuższy czas w wilgotnych warunkach.
- Okresowo sprawdzać urządzenie pod względem dokładności (patrz rozdział «Kontrola dokładności»).
- Urządzenie należy czyścić miękką, wilgotną ściereczką. Nie należy używać agresywnych chemikaliów, rozpuszczalników czyszczących ani detergentów.
- Przynależność lasera należy okresowo przecierać miękką, niestrzępiącą się ściereczką zawierającą alkohol izopropylowy.

Nieprzestrzeżenie następujących zasad może spowodować wyciek elektrolitu z baterii i uszkodzenie urządzenia:

- Wyjmować baterie z urządzenia, jeśli nie było ono używane przez dłuższy czas.
- Nie należy pozostawiać rozładowanych baterii w urządzeniu.
- Nie należy podgrzewać baterii, aby uniknąć ryzyka wybuchu i rozlania elektrolitu. Jeśli na skórę dostanie się płyn, należy natychmiast przepłukać skażone miejsce wodą i mydłem. W przypadku kontaktu z oczami przepłukać je czystą wodą przez 10 minut, a następnie zgłosić się do lekarza.

UTYLIZACJA

Przeterminowane narzędzia, akcesoria i opakowanie powinny być przekazane do recyklingu odpadów. Prosimy o przesłanie urządzenia na następujący adres w celu dokonania właściwego recyklingu:

CONDROL GmbH
Im Wiegenfeld 4
85570 Markt Schwaben
Niemcy



Nie wyrzucać urządzenia do odpadów komunalnych! Zgodnie z dyrektywą europejską 2002/96/WE, zużyte narzędzia pomiarowe i ich części składowe muszą być zbierane oddzielnie i poddawane przyjaznemu dla środowiska recyklingowi odpadów.

GWARANCJA

Wszystkie urządzenia firmy CONDROL GmbH poddawane są kontroli poprodukcyjnej i podlegają następującym warunkom gwarancji. Prawo kupującego do roszczeń z tytułu wad oraz ogólne przepisy obowiązującego prawa nie wygasają.

- 1) CONDROL GmbH zobowiązuje się do usunięcia wszystkich wad urządzenia, ujawnionych w okresie gwarancyjnym, które stanowią wadę materiałową lub wykonawczą w pełnej objętości i na własny koszt.
- 2) Okres gwarancji wynosi 24 miesiące i zaczyna bieg od daty zakupu przez klienta końcowego (patrz oryginalny dokument towarzyszący).
- 3) Gwarancja nie obejmuje uszkodzeń powstałych w wyniku zużycia lub nieprawidłowego użytkownika, wadliwego działania urządzenia spowodowanego nieprzebraniem instrukcji obsługi, nieterminowej konserwacji i serwisu oraz niewystarczającej dbałości, użycia nieoryginalnych akcesoriów i części zamiennych. Zmiany w tworzeniu urządzenia zwalniają sprzedawcę z odpowiedzialności za prace gwarancyjne. Gwarancja nie obejmuje uszkodzeń kosmetycznych, które nie utrudniają normalnej pracy urządzenia.
- 4) CONDROL GmbH zastrzega sobie prawo do podjęcia decyzji o wymianie lub naprawie urządzenia.
- 5) Inne roszczenia, nie wymienione powyżej, nie są objęte gwarancją.
- 6) Po wykonaniu prac gwarancyjnych przez CONDROL GmbH okres gwarancji nie jest odnawiany ani przedłużany.
- 7) CONDROL GmbH nie ponosi odpowiedzialności za utratę zysku lub niedogodności związane z wadą urządzenia, kosztami wypożyczenia sprzętu alternatywnego na okres naprawy.

Niniejsza gwarancja ma zastosowanie do prawa niemieckiego z wyjątkiem postanowień Konwencji Narodów Zjednoczonych o umowach międzynarodowej sprzedaży towarów (CISG).

W przypadku gwarancji prosimy o odesłanie urządzenia do sprzedawcy detalicznego lub przesłanie go z opisem wady na adres:

CONDROL GmbH
Im Wiegenfeld 4
85570 Markt Schwaben
Germany

ES Láser de línea en cruz GFX 200/300/360/360³

Manual de usuario

Le felicitamos por la compra del nivel láser GFX 200/GFX 300/GFX 360/GFX 360³ CONDROL.

Antes de utilizar el aparato por primera vez, lea con atención las precauciones de seguridad que figuran al final de este manual.

1. INSTRUCCIONES DE SEGURIDAD

¡Atención! Estas instrucciones de uso son parte integrante de su aparato. Lea con atención estas instrucciones antes de utilizar el aparato. Adjunte siempre estas instrucciones al aparato cuando lo preste.

- No utilice el aparato para fines distintos de los previstos.
- No retire las pegatinas y calcomanías y guárdelas en un lugar seguro, ya que contienen información sobre el uso seguro del aparato.



¡Radiación láser!
No apunte a los ojos
Láser de clase 2
<1 mW, 520 nm
IEC 60825-1: 2007-03

- No mire al rayo láser ni a su reflejo, ni con los ojos sin protección ni a través de dispositivos ópticos. No apunte el rayo láser hacia personas o animales innecesariamente. Podrías cegarlos.

- La protección de los ojos se consigue normalmente evitando mirada o cerrando los párpados.

- Coloque siempre el instrumento de forma que los rayos láser por encima o por debajo del nivel de los ojos.

- No permita que personas ajenas a la zona de funcionamiento del aparato.

- Mantenga el aparato fuera del alcance de niños y personas ajenas.

- No desmonte ni repare el producto usted mismo. El mantenimiento y las reparaciones sólo deben confiarse a personal cualificado y con el uso de piezas de repuesto originales.

- No utilice la unidad en una atmósfera explosiva, ni cerca de materiales inflamables.

- No permita que las pilas se calienten para evitar el riesgo de explosión y fuga de electrolitos. Si el líquido entra en contacto con la piel, lave inmediatamente el área afectada con agua y jabón. En caso de contacto con los ojos, enjuáguelos con agua limpia durante 10 minutos, luego consulte a un médico.

2. DESCRIPCIÓN DEL PRODUCTO

Niveles láser GFX 200/GFX 300/GFX 360/GFX 360³ CONDROL están diseñados para la construcción y el control de planos y líneas verticales y horizontales.

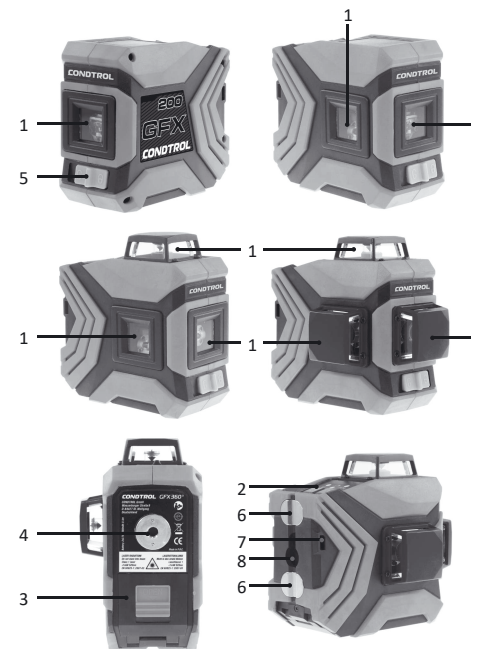
El dispositivo tiene 2 modos de funcionamiento:

- con compensador bloqueado, para construir planos y líneas en ángulos arbitrarios;

- con compensación automática de la inclinación del cuerpo del dispositivo hasta 5°.

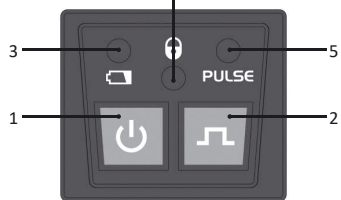
El modo de pulso le permite utilizar el detector para ampliar el alcance y también para operar el detector en condiciones bien iluminadas donde el rayo láser no es fácilmente visible.

La unidad es adecuada para su uso tanto en interiores como en exteriores en obras de construcción.



- 1 - Ventanas del transmisor láser
- 2 - Panel de control
- 3 - Tapa del compartimento de la batería
- 4 - Rosca de trípode 1/4"
- 5 - Brida
- 6 - Imanes para la fijación en estructuras verticales estructuras
- 7 - Orificio de montaje para la sujeción
- 8 - Bisagra para fijar un tornillo autorroscante/clavo

Panel de control



- 1 - Encendido y apagado de los transmisores láser
- 2 - Activación/desactivación del modo de impulsos
- 3 - Indicador de alimentación
- 4 - Indicador de bloqueo del compensador
- 5 - Indicador de modo de pulso

3. ESPECIFICACIONES TÉCNICAS

	GFX200	GFX300	GFX360	GFX360 ³
Alcance/ con detector*	20/40m			
Precisión de nivelación	±0,3 mm/m			
Margen de autonivelación, típico	± 5°			
Temperatura de operación	-10°C ... +50°C			
Temperatura de almacenamiento	-20°C ... +70°C			
Humedad relativa del aire	90%			
Protección de IP	IP54			
Fijación para trípode	1/4"			
Tipo de láser	Clase II 520 nm < 1 mW			
Baterías	3.7 V 3000 mAh batería de iones de litio			
Dimensiones	97x50x85 mm	97x50x98 mm	112x64x98 mm	
Peso	0,28kg	0,29kg	0,35kg	

* El rango de funcionamiento puede diferir del indicado en función de las condiciones de iluminación.

4. MONTAJE

GFX 200/300/360/360³

Nivel láser, brida de cable, batería (3,7V 3000 mAh Li-ion), adaptador para pilas, cable de carga, estuche, manual de usuario.

GFX360 Kit/360³ Kit

Nivel láser, brida de cable, batería (3,7V 3000 mAh Li-ion), adaptador para pilas, cable de carga, blanco magnético, soporte de pared, gafas, manual de usuario, caja de plástico.

5. PREPARACIÓN PARA TRABAJAR CON EL DISPOSITIVO

5.1 Alimentación del instrumento

El instrumento se alimenta de una batería de iones de litio de 3,7 V y 3000 mAh incluida en el juego de suministro.

5.2 Instalación/carga de la batería de iones de litio

Introduzca la pila en el compartimento respetando la polaridad.

Utilice sólo la batería incluida en el paquete.

Si el indicador de encendido del panel de control se pone en rojo, la batería necesita ser descargada.

Cargue la batería de la siguiente manera:

- 1) Retire la batería del instrumento.
- 2) Utilizando el cable de carga suministrado, conecta la batería a una fuente de alimentación externa.
- 3) El tiempo de carga de la batería depende de la corriente del adaptador que se está utilizando:

Nº	Amperaje	Tiempo de carga
1	500 mA	6 horas
2	1000 mA	3 horas
3	2A	1,5 horas

Atención: ¡No utilice adaptadores con una tensión de salida superior a 5 voltios! Puede causar daños a la batería.

- 4) Una vez transcurrido el tiempo de carga, desconecte el cargador y coloque la batería en el compartimento.

6. FUNCIONAMIENTO DEL DISPOSITIVO

Coloque el instrumento sobre una superficie sólida y estable o trípode.

Seleccione el modo de funcionamiento del dispositivo:

1) Modo de compensación automática.

Coloque el interruptor en la posición ON. La unidad se enciende automáticamente.

Active el transmisor láser (GFX 200, GFX 300, GFX 360, GFX 360³) pulsando brevemente la tecla

Pulse brevemente la tecla para activar/desactivar modo con el receptor.

Para apagar el aparato, mueva el control deslizante a la posición OFF.

2) Modo de construcción del plano inclinado.

Coloque el aparato en la posición OFF. Mantenga pulsada la tecla durante 3 segundos para encender el aparato (GFX 200, GFX 300, GFX 360, GFX 360³).

Después de encender todas las combinaciones posibles de líneas láser, una pulsación larga de la tecla apagará la unidad.

Active/desactive el modo de funcionamiento del receptor pulsando la tecla durante 3 segundos.

Atención: Seleccione el número mínimo de módulos láser necesarios para aumentar el tiempo de funcionamiento, así como para reducir el riesgo de cegamiento involuntario.

Cuando se opera cerca de objetos o corrientes de aire con una temperatura diferente a la temperatura ambiente debido a la inhomogeneidad atmosférica, pueden producirse fluctuaciones en la línea láser. El efecto aumenta a medida que se incrementa la distancia.

La anchura de la línea láser aumenta a medida que aumenta la distancia. El marcado debe hacerse a lo largo del eje de la línea láser. Utilice la sección central de la línea láser para obtener la máxima precisión.

Tenga en cuenta que la forma de las líneas láser en la superficie del objeto (por ejemplo, paredes, techos, etc.) depende de la curvatura e inclinación de la superficie en relación con el plano láser.

7. CONTROL DE PRECISIÓN

7.1. Control horizontal

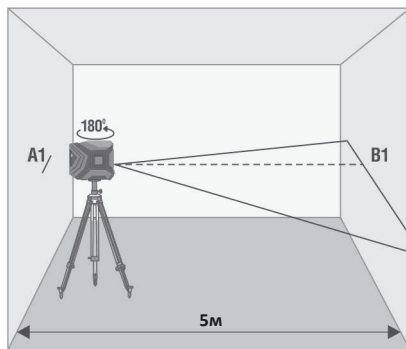
GFX200/GFX300

La prueba requiere de 2 paralelas verticales paredes enfrentadas a una distancia de al menos 5 m.

1. Coloque el aparato lo más cerca posible de una de las paredes, gire el aparato con los radiadores hacia una de las paredes.

2. Desbloquee el compensador, encienda el transmisor horizontal, marque la posición del eje de la horizontal en la pared cercana - marca A1.

3. Gire el instrumento 180° y marque la posición del rayo en el en la pared más lejana - marca B1.



4. Gire el instrumento hacia la derecha, mida la desviación vertical del eje del rayo horizontal desde el punto B1. Si la desviación es superior a 1,5 mm, póngase en contacto con el centro de servicio.

5. Repita el paso 4, girando el instrumento hacia la izquierda.



6. Mueva el instrumento a la pared opuesta, marque la posición del eje del haz horizontal en la pared cercana - marque B2.

7. Gire el instrumento 180° y marque la posición del eje del haz horizontal en la pared opuesta - punto A2.

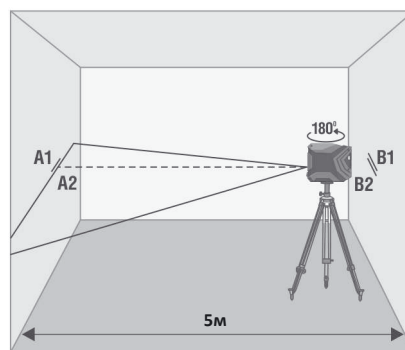
8. Mide la distancia vertical entre las marcas A1, A2 y B1, B2 respectivamente. Si la diferencia entre los valores de dA, dB es superior a 3 mm - póngase en contacto con el centro de servicio.

Mide las distancias dA, dB entre las marcas A1, A2 y B1, B2 respectivamente. Si la diferencia entre los valores de dA, dB es superior a 3 mm - póngase en contacto con el centro de servicio.

Mide las distancias dA, dB entre las marcas A1, A2 y B1, B2 respectivamente. Si la diferencia entre los valores de dA, dB es superior a 3 mm - póngase en contacto con el centro de servicio.

Mide las distancias dA, dB entre las marcas A1, A2 y B1, B2 respectivamente. Si la diferencia entre los valores de dA, dB es superior a 3 mm - póngase en contacto con el centro de servicio.

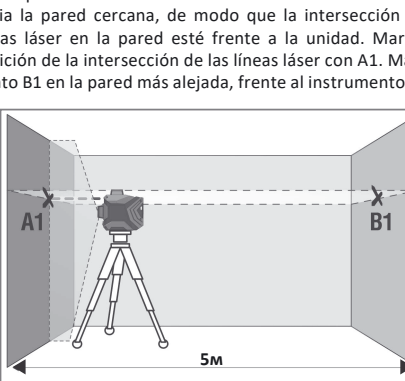
Mide las distancias dA, dB entre las marcas A1, A2 y B1, B2 respectivamente. Si la diferencia entre los valores de dA, dB es superior a 3 mm - póngase en contacto con el centro de servicio.



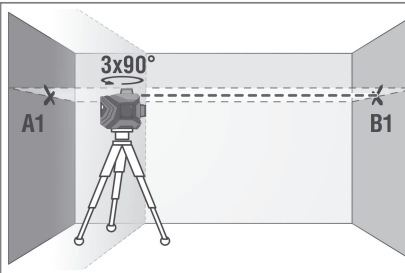
GFX360/GFX360³

La prueba requiere dos paredes verticales paralelas enfrentadas a una distancia de 5 m.

1. Coloque la unidad lo más cerca posible de una de las paredes. Encienda los emisores verticales y horizontales y desbloquee el compensador. Gire la unidad con los emisores orientados hacia la pared cercana, de modo que la intersección de las líneas láser en la pared esté frente a la unidad. Marque la posición de la intersección de las líneas láser con A1. Marque la posición de la intersección de las líneas láser con B1 en la pared más alejada, frente al instrumento.

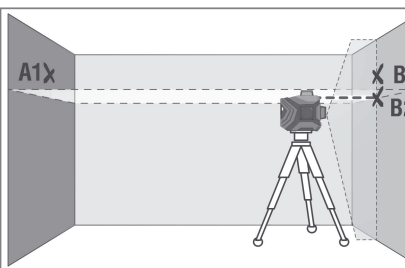


2. Gire el instrumento 90° y mida la desviación del eje del haz con respecto a la marca B1. Si la desviación es superior a 1,5 mm, póngase en contacto con el servicio técnico.



3. Repita el paso 2. 2 veces más, girando el instrumento en la misma dirección.

4. Mueva el instrumento a la pared opuesta, marque la intersección de las líneas láser con B2 (las marcas B1, B2 deben estar en la misma vertical).



5. Gire el instrumento 180° y marque en la pared opuesta la intersección de las líneas láser con A2 (las marcas A1 y A2 deben estar en la misma vertical).

6. Mide las distancias dA, dB entre las marcas A1, A2 y B1, B2 respectivamente. Si la diferencia entre los valores de dA, dB es superior a 3 mm - póngase en contacto con el centro de servicio.

Mide las distancias dA, dB entre las marcas A1, A2 y B1, B2 respectivamente. Si la diferencia entre los valores de dA, dB es superior a 3 mm - póngase en contacto con el centro de servicio.

Mide las distancias dA, dB entre las marcas A1, A2 y B1, B2 respectivamente. Si la diferencia entre los valores de dA, dB es superior a 3 mm - póngase en contacto con el centro de servicio.

Mide las distancias dA, dB entre las marcas A1, A2 y B1, B2 respectivamente. Si la diferencia entre los valores de dA, dB es superior a 3 mm - póngase en contacto con el centro de servicio.

Mide las distancias dA, dB entre las marcas A1, A2 y B1, B2 respectivamente. Si la diferencia entre los valores de dA, dB es superior a 3 mm - póngase en contacto con el centro de servicio.

Mide las distancias dA, dB entre las marcas A1, A2 y B1, B2 respectivamente. Si la diferencia entre los valores de dA, dB es superior a 3 mm - póngase en contacto con el centro de servicio.

Mide las distancias dA, dB entre las marcas A1, A2 y B1, B2 respectivamente. Si la diferencia entre los valores de dA, dB es superior a 3 mm - póngase en contacto con el centro de servicio.

Mide las distancias dA, dB entre las marcas A1, A2 y B1, B2 respectivamente. Si la diferencia entre los valores de dA, dB es superior a 3 mm - póngase en contacto con el centro de servicio.

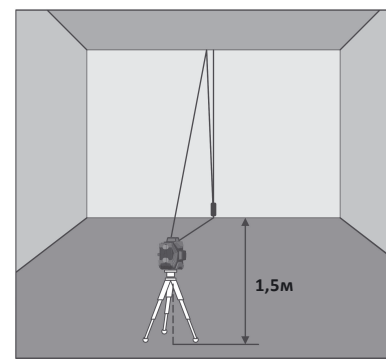
Mide las distancias dA, dB entre las marcas A1, A2 y B1, B2 respectivamente. Si la diferencia entre los valores de dA, dB es superior a 3 mm - póngase en contacto con el centro de servicio.

7.2. Control vertical

Utilice una plomada como referencia vertical.

Coloque el instrumento a una distancia de aproximadamente 1,5 m de la plomada.

1. Desbloquee el compensador, encienda el transmisor vertical, alinee el eje de la línea láser vertical con el punto de plomada inferior.
2. Si la desviación del eje de la línea vertical con respecto a la percha supera los 0,3 mm por cada 1 m de longitud de la percha (por ejemplo, para una línea de plomada de 2,5 m, la desviación máxima no debe superar los 0,7 mm), póngase en contacto con el centro de servicio.



8. CUIDADO Y OPERACIÓN

¡Atención! El aparato es un dispositivo óptico-mecánico de precisión y debe manejarse con cuidado. Compruebe la precisión del dispositivo antes de empezar a trabajar y después de influencias mecánicas (caída, impacto).

La observación de las siguientes recomendaciones prolongará la vida útil del aparato:

- Mantenga el aparato, sus recambios y accesorios fuera del alcance de los niños y de personas no autorizadas.

- Mueva el aparato sólo con el compensador bloqueado.

- Proteja el dispositivo de golpes, caídas, vibraciones fuertes, no deje que la humedad, el polvo de la construcción, los objetos extraños entren en el dispositivo.

- En caso de humedad en el aparato, retire primero las pilas y luego póngase en contacto con el centro de servicio.

- No almacene ni utilice el instrumento durante largos períodos de tiempo en un entorno húmedo.

- Compruebe periódicamente la precisión del instrumento (véase « Control de precisión »).

- Limpie el aparato con un paño suave y húmedo. No utilice productos químicos fuertes, disolventes de limpieza o detergentes.

- Limpie periódicamente la apertura del láser con un paño suave y sin pelusas humedecido con alcohol isopropílico.

- Limpie periódicamente la apertura del láser con un paño suave y sin pelusas humedecido con alcohol isopropílico.

Si no se siguen estas reglas, el electrolito puede salir de las pilas y dañar el instrumento:

- Retire la pila del aparato si no lo va a utilizar durante un largo período de tiempo.

- No deje una batería descargada en el aparato.

- No permita que las baterías se calienten para evitar el riesgo de explosión y de fuga de electrolito. En caso de contacto con la piel, lavar inmediatamente la zona afectada con agua y jabón.

- En caso de contacto con los ojos, lave con agua limpia durante 10 minutos y luego consulte a un médico.

- En caso de contacto con los ojos, lave con agua limpia durante 10 minutos y luego consulte a un médico.

9. UTILIZACIÓN

Las herramientas, los accesorios y el embalaje caducados deben pasarse para su reciclaje. Por favor, envíe el aparato a la siguiente dirección para su correcto reciclaje:

CONDROL GmbH
Im Wiefenfeld 4
85570 Markt Schwaben
Alemania



¡No tire el aparato a la basura municipal!

Según la directiva europea 2002/96/EC, las herramientas de medición caducadas y sus componentes deben recogerse por separado y someterse a un reciclaje de residuos respetuosos con el medio ambiente.

10. GARANTÍA

Todos los aparatos de CONDROL GmbH pasan por un control de postproducción y se rigen por las siguientes condiciones de garantía. El derecho del comprador a reclamar sobre los defectos y las disposiciones generales de la legislación vigente no caducan.

- 1) La empresa CONDROL GmbH se compromete a eliminar todos los defectos del aparato, descubiertos durante el periodo de garantía, que representen un defecto de material o de fabricación en su totalidad y a su cargo.

- 2) El período de garantía es de 24 meses y comienza a partir de la fecha de compra por parte del cliente final (véase el documento justificativo original).

- 3) La garantía no cubre los defectos resultantes del desgaste o del uso inadecuado, el mal funcionamiento del aparato causado por la inobservancia de las instrucciones de este manual de usuario, el mantenimiento y el servicio inoportunos y el cuidado insuficiente, el uso de accesorios y piezas de repuesto no originales. Las modificaciones en el diseño del aparato eximen al vendedor de la responsabilidad de los trabajos en garantía. La garantía no cubre los daños cosméticos que no impidan el funcionamiento normal del aparato.

- 4) CONDROL GmbH se reserva el derecho de decidir sobre la sustitución o reparación del aparato.

- 5) Otras reclamaciones no mencionadas anteriormente, no están cubiertas por la garantía.

- 6) Tras la realización de trabajos de garantía por parte de CONDROL GmbH el periodo de garantía no se renueva ni se amplía.

- 7) CONDROL GmbH no se hace responsable del lucro cesante o de las molestias asociadas a un defecto del aparato, del coste de alquiler de un equipo alternativo durante el periodo de reparación.

Esta garantía se rige por la legislación alemana, excepto las disposiciones de la Convención de las Naciones Unidas sobre los contratos de compraventa internacional de mercaderías (CISG).

En caso de garantía, devuelva el aparato al vendedor minorista o envíelo con la descripción del defecto a la siguiente dirección

CONDROL GmbH
Im Wiefenfeld 4
85570 Markt Schwaben
Alemania

CONDROL GmbH
Im Wiefenfeld 4
85570 Markt Schwaben
Alemania

CONDROL GmbH
Im Wiefenfeld 4
85570 Markt Schwaben
Alemania

CONDROL GmbH
Im Wiefenfeld 4
85570 Markt Schwaben
Alemania

CONDROL GmbH
Im Wiefenfeld 4
85570 Markt Schwaben
Alemania

CONDROL GmbH
Im Wiefenfeld 4
85570 Markt Schwaben
Alemania

CONDROL GmbH
Im Wiefenfeld 4
85570 Markt Schwaben
Alemania

CONDROL GmbH
Im Wiefenfeld 4
85570 Markt Schwaben
Alemania

CONDROL GmbH
Im Wiefenfeld 4
85570 Markt Schwaben
Alemania

CONDROL GmbH
Im Wiefenfeld 4
85570 Markt Schwaben
Alemania

IT Manuale dell'utente GFX 200/300/360/360³

Manuale dell'utente

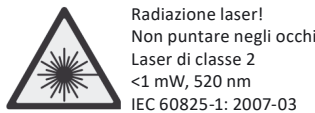
Congratulazioni per l'acquisto di un livello laser CONDROL GFX 200/GFX 300/GFX 360/GFX 360³.

Prima di usare questo dispositivo per la prima volta, per favore, legga attentamente le istruzioni di sicurezza, contenute alla fine di questo manuale dell'utente.

1. ISTRUZIONE DI SICUREZZA

Attenzione! Questo manuale dell'utente è la parte integrante del Suo dispositivo. Leggere attentamente l'istruzione prima di utilizzare il dispositivo. Nel caso di trasferimento del dispositivo in uso temporaneo si assicuri obbligatoriamente di allegare questa istruzione ad esso.

- Non usare il dispositivo in modo diverso da quello previsto.
- Non rimuovere le targhette di avvertimento e proteggerle dall'abrasione perché esse contengono informazioni sull'uso sicuro del dispositivo.



- Non guardare nel raggio laser, né nel riflesso di esso, sia con l'occhio non protetto che attraverso dispositivi ottici. Non puntare inutilmente il raggio laser verso le persone o gli animali. Si può accecarli.

- La protezione degli occhi viene solitamente eseguita allontanando lo sguardo o chiudendo le palpebre.

- Posizionare sempre il dispositivo in modo che i raggi laser passino ad una distanza superiore o inferiore al livello degli occhi.

- Tenere le persone non autorizzate fuori dall'area operativa del dispositivo.

- Tenere il dispositivo fuori dalla portata di bambini e persone non autorizzate.

- Non smontare o riparare il dispositivo da soli. La manutenzione e la riparazione devono essere affidate esclusivamente al personale qualificato e con l'applicazione delle parti di ricambio originali.

- È vietato di utilizzare il dispositivo in un ambiente esplosivo, vicino ai materiali infiammabili.

- Evitare il riscaldamento delle batterie per prevenire il rischio di esplosione e fuoriuscita di elettrolita. In caso di contatto con la pelle, lavare immediatamente l'area interessata con acqua e sapone. In caso di contatto con gli occhi, sciacquarli con acqua pulita per 10 minuti e consultare immediatamente un medico.

2. DESCRIZIONE DEL DISPOSITIVO

Livelli laser GFX 200/GFX 300/GFX 360/GFX 360³ CONDROL sono progettati per la costruzione e il controllo di piani e linee verticali e orizzontali.

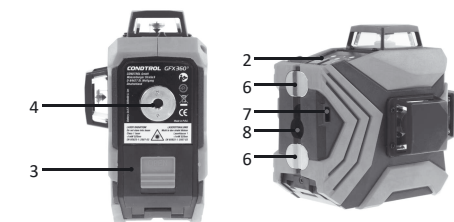
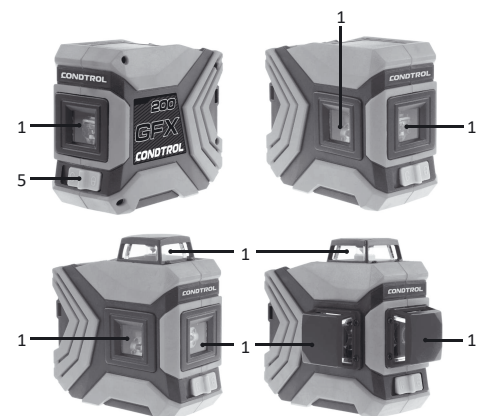
Il dispositivo ha 2 modalità di lavoro:

- con compensatore bloccato, per costruire piani e linee ad angoli arbitrari.

- con compensazione automatica dell'inclinazione del corpo del dispositivo fino a 5°.

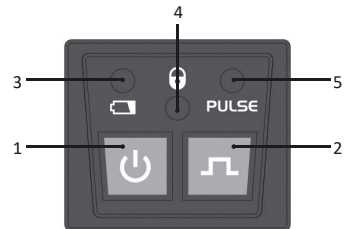
La modalità a impulsi consente di utilizzare il rivelatore per aumentare l'intervallo di funzionamento e di funzionare in condizioni di buona luce quando il raggio laser è scarsamente visibile.

Il dispositivo è adatto sia per l'uso in ambienti chiusi che in cantieri esterni.



- 1 - Finestre di emettitori laser
- 2 - Pannello di comando
- 3 - Coperchio di vano batteria
- 4 - Filettatura per treppiede 1/4"
- 5 - Motorino bloccante
- 6 - Magneti per il fissaggio su strutture verticali
- 7 - Foro per il fissaggio al morsetto
- 8 - Anello per fissaggio a vite autofilettante / chiodo

Pannello di comando



- 1 - Accensione/spengimento di emettitori laser
- 2 - Accensione/spengimento di modalità a impulsi
- 3 - Indicatore di alimentazione
- 4 - Indicatore di bloccaggio di compensatore
- 5 - Indicatore di modalità a impulsi

3. CARATTERISTICHE TECNICHE

	GFX200	GFX300	GFX360	GFX360 ³
Campo di funzionamento/ con rivelatore*	20 m/40 m			
Precisione di autoallineamento	±0,3 mm/m			
Campo di autoallineamento	± 5°			
Temperatura di funzionamento	-10°C ... +50°C			
Temperatura di stoccaggio	-20°C ... +70°C			
Umidità relativa dell'aria	90%			
Livello di protezione contro la polvere e l'umidità	IP54			
Tipo di filettatura di montaggio del treppiede	1/4"			
Tipo di laser	Classe II 520 nm <1 mW			
Batterie	3.7V 3000 mAh accumulatore agli ioni di litio			
Ingombro	97x50x85 mm	97x50x98 mm	112x64x98 mm	
Peso	0,28kg	0,29kg	0,35kg	

* Il campo di lavoro può variare da quello dichiarato a seconda delle condizioni di illuminazione.

4. COMPLETAMENTO

GFX 200/300/360/360³

Livello laser, massetto da cavo, batterie (3.7 V 3000 mAh Li-ion), adattatore per batterie, cavo di ricarica, fodera, manuale dell'utente, contenitore plastico.

GFX360 Kit/3603 Kit

Livello laser, massetto da cavo, batterie (3.7 V 3000 mAh Li-ion), adattatore per batterie, cavo per la ricarica, bersaglio magnetico, fissaggio da parete, occhiali, manuale dell'utente, contenitore plastico.

5. PREPARAZIONE PER IL LAVORO CON IL DISPOSITIVO

5.1. Alimentazione del dispositivo

Il dispositivo viene alimentato tramite un'accumulatore agli ioni di litio da 3.7 V 3000 mAh inclusa nella composizione della fornitura.

5.2. Installazione / ricarica della batteria agli ioni di litio

Installare l'accumulatore nel vano batteria rispettando la polarità.

Utilizzare solo l'accumulatore in dotazione.

Se l'indicatore di alimentazione sul pannello di comando diventerà rosso, è necessario di caricare la batteria.

La ricarica di batteria viene effettuata come segue:

- 1) Rimuovere la batteria dal dispositivo.
- 2) Collegare la batteria a una fonte di alimentazione esterna utilizzando il cavo di ricarica in dotazione.
- 3) Il tempo di ricarica della batteria dipende dall'ampereaggio dell'adattatore utilizzato:

Nº	Amperaggio	Tempo di ricarica
1	500 mA	6 ore
2	1000 mA	3 ore
3	2A	1,5 ore

Attenzione: È vietato di utilizzare adattatori con una tensione all'uscita superiore a 5 volt! Questo può causare il danneggiamento dell'accumulatore.

4) Trascorso il tempo di ricarica, scollegare il caricabatterie e inserire l'accumulatore nel vano batteria.

6. LAVORO CON IL DISPOSITIVO

Installare il dispositivo su una superficie solida e stabile o su un treppiede.

Selezionare la modalità di funzionamento del dispositivo utilizzando il motorino bloccante:

1) Modalità di compensazione automatica

Spostare il motorino bloccante in posizione **ON**. Il dispositivo si accende automaticamente.

Premere brevemente il pulsante per attivare l'emettitore laser (GFX200) /gli emettitori laser (GFX 300, GFX360, GFX 360³).

La modalità di lavoro con il ricevitore si attiva/disattiva, premendo brevemente il pulsante .

Per spegnere il dispositivo, spostare il motorino bloccante in posizione **OFF**.

2) Modalità di costruzione di piani inclinati

Spostare il motorino bloccante in posizione **OFF**.

Accendere il dispositivo premendo continuamente il pulsante per 3 secondi.

Accendere l'emettitore laser (GFX200)/gli emettitori laser (GFX 300, GFX 360, GFX 360³) premendo continuamente il pulsante per 3 secondi.

Dopo l'accensione di tutte le combinazioni possibili di linee laser la pressione continua del pulsante spegnerà il dispositivo.

Accendere/spegnere la modalità di lavoro con il ricevitore premendo continuamente il pulsante per 3 secondi.

Attenzione! Per aumentare il tempo di funzionamento e ridurre il rischio di abbagliamento involontario, è necessario di selezionare il numero minimo di moduli laser accesi.

Quando si lavora vicino a oggetti o correnti d'aria la cui temperatura differisce dall'ambiente a causa della disomogeneità dell'atmosfera, può verificarsi un tremolio della linea laser. All'aumentare della distanza, l'effetto si rafforza.

Con l'aumento della distanza, la larghezza della linea laser cresce. La tracciatura deve essere eseguita sull'asse della linea laser. Per ottenere la precisione massima, utilizzare la sezione centrale della linea laser.

Si noti che la forma delle linee laser sulla superficie dell'oggetto (ad esempio, su pareti, solai, ecc.) dipende dalla curvatura e dall'inclinazione della superficie rispetto al piano laser.

7. CONTROLLO DI PRECISIONE

7.1. Controllo di orizzontale

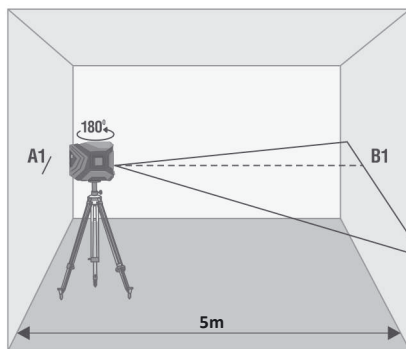
GFX200/GFX300

2 pareti verticali parallele posizionate l'una di fronte all'altra a una distanza non meno di 5 m sono necessarie per il controllo.

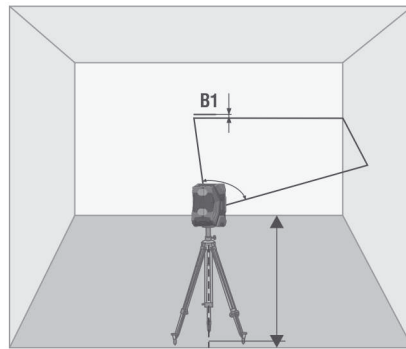
1. Posizionare il dispositivo il più vicino possibile ad una delle pareti, ruotarlo con gli emettitori verso una delle pareti.

2. Sbloccare il compensatore, accendere l'emettitore orizzontale, contrassegnare la posizione dell'asse del raggio laser sulla parete vicina – segno A1.

3. Ruotare il dispositivo di 180° e segnare la posizione del raggio sul muro lontano – segno B1.



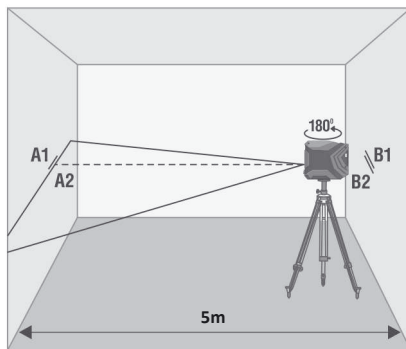
4. Ruotare il dispositivo a destra, misurare la deviazione verticale dell'asse del raggio orizzontale dal punto B1. Se la deviazione supera 1,5 mm, contattare il centro di assistenza.
5. Ripetere il passaggio 4 ruotando il dispositivo a sinistra.



6. Spostare il dispositivo verso la parete opposta, segnare la posizione dell'asse del raggio orizzontale sulla parete vicina – segno B2.

7. Ruotare il dispositivo di 180° e segnare la posizione dell'asse del raggio orizzontale sulla parete opposta – segno A2.

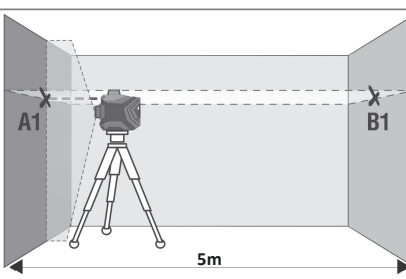
8. Misurare la distanza verticale tra i segni A1, A2 e B1, B2. Misurare la distanza dA, dB tra i segni A1, A2 e B1, B2 rispettivamente. Se la differenza tra i valori dA, dB supera 3 mm – contattare il centro di assistenza.



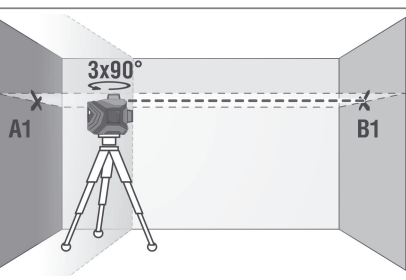
GFX360/GFX360³

2 pareti verticali parallele posizionate l'una di fronte all'altra a una distanza di 5 m sono necessarie per il controllo.

1. Posizionare il dispositivo il più vicino possibile a una delle pareti. Accendere l'emettitore verticale e orizzontale, sbloccare il compensatore. Ruotare il dispositivo con gli emettitori verso la parete vicina in modo che l'intersezione delle linee laser sulla parete sia opposta al dispositivo. Contrassegnare la posizione del punto di intersezione delle linee laser – segno A1. Sulla parete più lontana di fronte al dispositivo, segnare il punto B1.

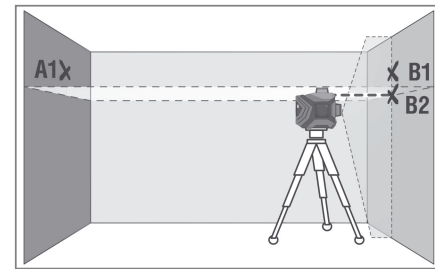


2. Ruotare il dispositivo di 90°, misurare la deviazione dell'asse del raggio dal segno B1. Se la deviazione supera 1,5 mm, contattare il centro di assistenza.



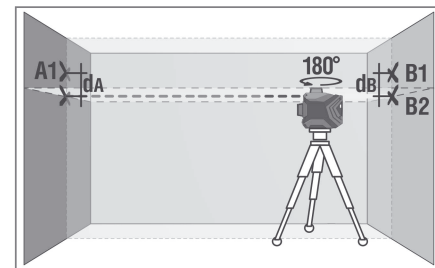
3. Ripetere il punto 2 altre 2 volte, ruotando il dispositivo in una direzione.

4. Spostare il dispositivo verso la parete opposta, contrassegnare le intersezioni delle linee laser con il segno B2 (i segni B1, B2 devono essere sullo stesso verticale).



5. Ruotare il dispositivo di 180° e segnare sulla parete opposta l'intersezione delle linee laser con il segno A2 (i segni A1, A2 devono essere sullo stesso verticale).

6. Misurare le distanze dA, dB tra i segni A1, A2 e B1, B2 rispettivamente. Se la differenza tra i valori dA, dB supera i 3 mm, contattare il centro di assistenza.

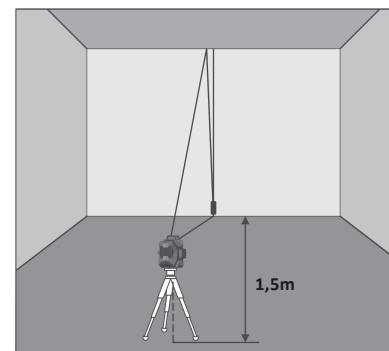


7.2. Controllo di verticale

Utilizzare un piombo come un modello di verticale. Installare il dispositivo ad una distanza di circa 1,5 m dal piombo.

1. Sbloccare il compensatore, accendere l'emettitore verticale, allineare l'asse della linea laser verticale con il punto inferiore del piombo.

2. Se la deviazione dell'asse della linea verticale dalla sospensione supera 0,3 mm per 1 m della lunghezza della sospensione (ad esempio, per un piombo con una lunghezza di 2,5 m – la deviazione massima non deve superare 0,7 mm) – contattare il centro di assistenza.



8. MANUTENZIONE E FUNZIONAMENTO

Attenzione! Questo strumento è un dispositivo preciso ottico-meccanico e deve essere trattato con cura. Prima di iniziare i lavori e anche dopo gli impatti meccanici (cadute, urti), effettuare la verifica della precisione del dispositivo.

L'osservanza delle seguenti raccomandazioni prolungherà la durata del dispositivo:

- Conservare il dispositivo, i pezzi di ricambio e gli accessori fuori dalla portata dei bambini e di persone non autorizzate.
- Spostare il dispositivo solo con il compensatore bloccato.
- Proteggere il dispositivo da urti, cadute, vibrazioni forti, non consentire l'ingresso di umidità, polvere da costruzione, oggetti estranei all'interno del dispositivo.
- Se il liquido entra nel dispositivo, prima rimuovere le batterie, quindi contattare un centro di assistenza.
- Non conservare e non utilizzare il dispositivo per lunghi periodi in ambienti umidi.
- Controllare periodicamente la precisione del dispositivo (vedi paragrafo Controllo di precisione).
- Pulire il dispositivo con un panno morbido e umido. Non utilizzare prodotti chimici aggressivi, solventi o detersivi.
- Pulire periodicamente l'apertura del laser con un panno morbido senza pelo con alcool isopropilico.

La mancata osservanza delle seguenti regole può causare la fuoriuscita di elettroliti dalle batterie e il danneggiamento del dispositivo:

- Rimuovere le batterie dal dispositivo se esso non viene utilizzato per un lungo periodo di tempo.
- Non lasciare le batterie scariche nel dispositivo.
- Evitare il riscaldamento delle batterie per prevenire il rischio di esplosione e fuoriuscita di elettrolita. In caso di contatto con la pelle, lavare immediatamente l'area interessata con acqua e sapone. In caso di contatto con gli occhi, sciacquarli con acqua pulita per 10 minuti e consultare immediatamente un medico.

9. UTILIZZAZIONE

I dispositivi, gli accessori e gli imballaggi non funzionanti devono essere riciclati. Si prega di inviare l'articolo al seguente indirizzo per il riciclaggio corretto:

CONDROL GmbH
Im Wiegenfeld 4
85570 Markt Schwaben
Deutschland



Non smaltire il dispositivo nei rifiuti urbani

In conformità con la Direttiva Europea 2002/96/C, gli strumenti di misura scaduti e i componenti di essi devono essere raccolti separatamente e spediti per il riciclaggio ecologico dei rifiuti.

10. GARANZIA

Tutti i prodotti CONDROL GmbH sono sottoposti a controllo post-produzione e soggetti alle seguenti condizioni di garanzia. Il diritto dell'acquirente di presentare le pretese relative a difetti e disposizioni generali della legge vigente non decadono.

1) L'Azienda CONDROL GmbH si impegna ad eliminare completamente e a proprie spese tutti i difetti del prodotto rilevati durante il periodo di garanzia, che rappresentano un difetto di materiale o di fabbricazione.

2) Il periodo di garanzia è di 24 mesi e decorre dalla data di acquisto da parte del consumatore finale (rif. Originale del documento di accompagnamento).

3) La garanzia non copre i difetti causati dall'usura normale o dall'uso improprio, il malfunzionamento del prodotto causato dal mancato rispetto delle istruzioni contenute nel presente manuale dell'utente, l'assistenza intempestiva e la cura insufficiente, l'uso di accessori e pezzi di ricambio non originali. Le modifiche alla costruzione del prodotto esonerano il venditore dalla responsabilità per il servizio di garanzia. La garanzia non copre i danni estetici che non interferiscono con il funzionamento normale del prodotto.

4) L'Azienda CONDROL GmbH si riserva il diritto di prendere la decisione di sostituzione o riparazione del prodotto.

5) Le pretese diverse da quelle sopra menzionate non sono coperte dalla garanzia.

6) Dopo che CONDROL GmbH ha eseguito i lavori di garanzia, il periodo di garanzia non viene esteso.

7) CONDROL GmbH non è responsabile per mancato guadagno o inconvenienti associati a un difetto del prodotto, il costo del noleggio di apparecchiature alternative per il periodo di riparazione. Questa garanzia si applica alla legge tedesca, escluse le disposizioni della Convenzione sui contratti per la vendita internazionale di beni mobili (CISG).

In caso di garanzia, si prega di restituire l'articolo al rivenditore o inviarlo con la descrizione del difetto al seguente indirizzo:

CONDROL GmbH
Im Wiegenfeld 4
85570 Markt Schwaben
Deutschland

RU Лазерный нивелир GFX 200/300/360/360³

Руководство по эксплуатации

Поздравляем с приобретением лазерного нивелира GFX 200/GFX 300/GFX 360/GFX 360³ CONDROL.

Перед первым использованием прибора, пожалуйста, внимательно ознакомьтесь с указаниями по технике безопасности, приведенными в конце данного руководства по эксплуатации.

1. УКАЗАНИЯ ПО ТЕХНИКЕ БЕЗОПАСНОСТИ

Внимание! Данная инструкция по эксплуатации является неотъемлемой частью Вашего прибора. Прежде чем приступать к работе с прибором, внимательно прочтите инструкцию. При передаче прибора во временное пользование обязательно прилагайте к нему данную инструкцию.

- Не используйте прибор не по назначению.
- Не удаляйте наклейки и таблички и предохраняйте их от стирания, т.к. они содержат информацию по безопасной эксплуатации прибора.



Лазерное излучение!
Не направляйте в глаза
Лазер класса 2
<1 мВт, 520 нм
IEC 60825-1: 2007-03

- Не смотрите в лазерный луч, а также в его отражение, как незащищенным глазом, так и через оптические устройства. Не направляйте лазерный луч на людей и животных без необходимости. Вы можете их ослепить.
- Защита глаз обычно осуществляется путем отведения взгляда или закрытием век.
- Всегда устанавливайте прибор так, чтобы лазерные лучи проходили на расстоянии выше или ниже уровня глаз.
- Не допускайте посторонних лиц в зону эксплуатации прибора.
- Храните прибор вне досягаемости детей и посторонних лиц.
- Не разбирайте и не ремонтируйте прибор самостоятельно. Обслуживание и ремонт следует поручать только квалифицированным специалистам и с применением оригинальных запасных частей.
- Запрещается эксплуатация прибора во взрывоопасной среде, вблизи легковоспламеняющихся материалов.
- Не допускайте нагревания элементов питания во избежание риска взрыва и вытекания электролита. При попадании жидкости на кожу немедленно промойте пораженный участок водой с мылом. В случае попадания в глаза, промойте их чистой водой в течение 10 минут, затем обратитесь к врачу.

2. ОПИСАНИЕ ПРИБОРА

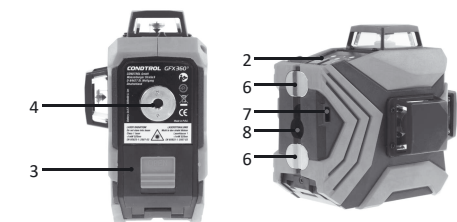
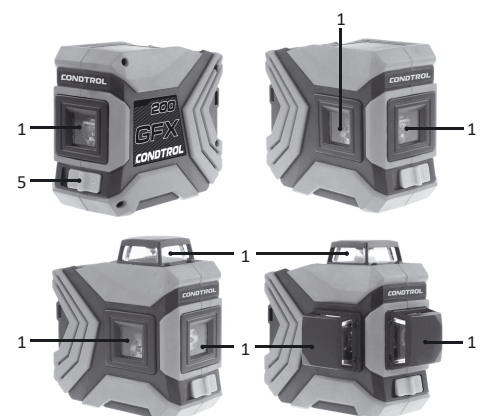
Лазерные нивелиры GFX 200/GFX 300/GFX 360/GFX 360³ CONDROL предназначены для построения и контроля вертикальных и горизонтальных плоскостей и линий.

Прибор имеет 2 режима работы:

- с заблокированным компенсатором, для построения плоскостей и линий под произвольными углами;
- с автоматической компенсацией наклона корпуса прибора до 5°.

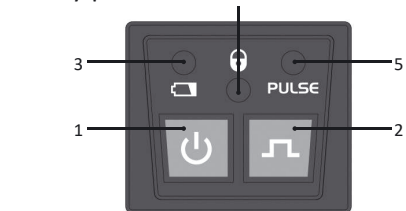
Импульсный режим позволяет использовать детектор для увеличения дальности работы, а также для работы с детектором в условиях хорошей освещенности, когда лазерный луч плохо виден.

Прибор пригоден как для эксплуатации в закрытых помещениях, так и на открытых строительных площадках.



- 1 - Оwnd лазерных излучателей
- 2 - Панель управления
- 3 - Крышка батарейного отсека
- 4 - Резьба под штатив 1/4"
- 5 - Движок блокиратора
- 6 - Магниты для крепления на вертикальных конструкциях
- 7 - Отверстие для крепления на хомуте
- 8 - Петля для крепления на саморез/гвоздь

Панель управления



- 1 - Включение/выключение лазерных излучателей
- 2 - Включение/выключение импульсного режима
- 3 - Индикатор питания
- 4 - Индикатор блокировки компенсатора
- 5 - Индикатор импульсного режима

3. ТЕХНИЧЕСКИЕ ХАРАКТЕРИСТИКИ

	GFX200	GFX300	GFX360	GFX360 ³
Рабочий диапазон/с детектором*	20/40м			
Точность само-выравнивания	±0,3 мм/м			
Диапазон само-выравнивания	± 5°			
Рабочая температура	-10°C ... +50°C			
Температура хранения	-20°C ... +70°C			
Относительная влажность воздуха	90%			
Степень защиты от влаги и пыли	IP54			
Тип резьбы для установки на штатив	1/4"			
Тип лазера	Класс II 520 нм < 1 мВт			
Источник питания	3.7В 3000 мАч литий-ионный аккумулятор			
Габаритные размеры	97x50x85 мм	97x50x98 мм	112x64x98 мм	
Вес	0,28кг	0,29кг	0,35кг	

* Рабочий диапазон может отличаться от заявленного в зависимости от условий освещения.

4. КОМПЛЕКТАЦИЯ

GFX 200/300/360/360³

Лазерный нивелир, кабельная стяжка, элементы питания (3.7 В 3000 мАч Li-ion), адаптер для батареек, кабель для зарядки, чехол, руководство по эксплуатации.

GFX360 Kit/3603 Kit

Лазерный нивелир, кабельная стяжка, элементы питания (3.7 В 3000 мАч Li-ion), адаптер для батареек, кабель для зарядки, магнитная мишень, настенное крепление, очки, руководство по эксплуатации, пластиковый кейс.

5. ПОДГОТОВКА К РАБОТЕ С ПРИБОРОМ

5.1. Питание прибора

Питание прибора осуществляется через литий-ионный аккумулятор 3.7В 3000 мАч, входящий в комплект поставки.

5.2. Установка/зарядка литий-ионного аккумулятора

Установите аккумулятор в батарейный отсек, соблюдая полярность. Используйте только аккумулятор, входящие в комплект поставки.

Если индикатор питания на панели управления станет красным, необходимо зарядить аккумулятор. Зарядка аккумулятора производится следующим образом:

- 1) Удалите аккумулятор из прибора.
- 2) Используя кабель для зарядки, входящий в комплект поставки, подключите аккумулятор к источнику внешнего питания.

3) Время зарядки аккумулятора зависит от силы тока используемого адаптера:

№	Сила тока	Время зарядки
1	500 мА	6 часов
2	1000 мА	3 часа
3	2А	1,5 часа

Внимание: Запрещено использование адаптеров с напряжением на выходе более 5 вольт! Это может привести к порче аккумулятора.

4) По истечении времени зарядки, отключите зарядное устройство и установите аккумулятор в батарейный отсек.

6. РАБОТА С ПРИБОРОМ

Установите прибор на твердую устойчивую поверхность или штатив.

Движком блокиратора выберите режим работы прибора:

1) Режим автоматической компенсации

Переместите движок блокиратора в положение **ON**. Прибор включится автоматически.

Короткими нажатиями клавиши включите лазерный излучатель (GFX 200) / лазерные излучатели (GFX 300, GFX 360, GFX 360³)

Коротким нажатием клавиши включите/выключите режим работы с приемником. Для выключения прибора переместите движок блокиратора в положение **OFF**.

2) Режим построения наклонных плоскостей

Переместите движок блокиратора в положение **OFF**. Включите прибор длительным нажатием клавиши в течение 3 секунд.

Длительным нажатием клавиши в течение 3 секунд включите лазерный излучатель (GFX 200) / лазерные излучатели (GFX 300, GFX 360, GFX 360³).

После включения всех возможных комбинаций лазерных линий длительное нажатие клавиши выключит прибор.

Включите/выключите режим работы с приемником длительным нажатием клавиши в течение 3 секунд.

Внимание: Для увеличения времени работы, а также для уменьшения риска непреднамеренного ослепления следует выбирать минимальное необходимое количество включенных лазерных модулей.

При работе вблизи объектов или воздушных потоков отличающихся по температуре от окружающей среды из-за неоднородности атмосферы возможно дрожание лазерной линии. При увеличении расстояния эффект усиливается.

С увеличением расстояния ширина лазерной линии увеличивается. Разметку следует производить по оси лазерной линии. Для получения максимальной точности используйте средний участок лазерной линии. Следует учитывать, что форма лазерных линий на поверхности объекта (например, на стенах, перекрытиях и пр.) зависит от кривизны и наклона поверхности по отношению к лазерной плоскости.

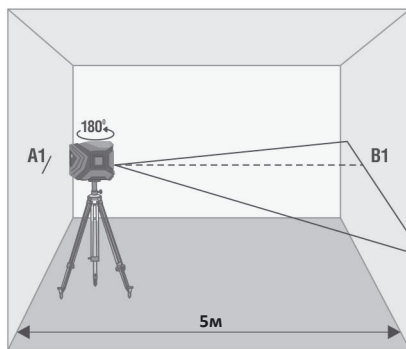
7. ПРОВЕРКА ТОЧНОСТИ

7.1. Проверка горизонтали

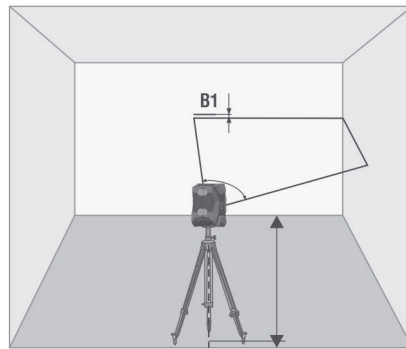
GFX200/GFX300

Для проверки необходимы 2 параллельные вертикальные стены, расположенные друг напротив друга на расстоянии не менее 5 м.

1. Установите прибор максимально близко к одной из стен, разверните прибор излучателями в сторону одной из стен.
2. Разблокируйте компенсатор, включите горизонтальный излучатель, отметьте положение оси горизонтального луча на ближней стене – метка А1.
3. Поверните прибор на 180° и отметьте положение луча на дальней стене – метка В1.



4. Поверните прибор вправо, измерьте вертикальное отклонение оси горизонтального луча от точки В1. Если отклонение превышает 1,5 мм – обратитесь в сервисный центр.
5. Повторите пункт 4, поворачивая прибор влево.



6. Перенесите прибор к противоположной стене, отметьте положение оси горизонтального луча на ближней стене – метка В2.
7. Поверните прибор на 180° и отметьте положение оси горизонтального луча на противоположной стене – точка А2.

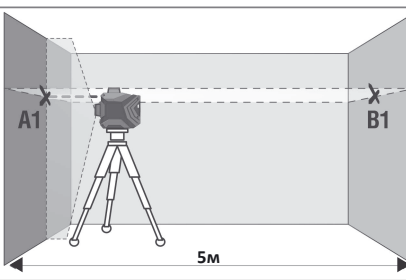
8. Измерьте вертикальное расстояние между метками А1, А2 и В1, В2 соответственно. Если разница между значениями dА, dВ превышает 3 мм – обратитесь в сервисный центр.



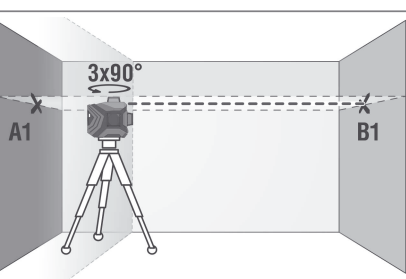
GFX360/GFX360³

Для проверки необходимы 2 параллельные вертикальные стены расположенные друг напротив друга на расстоянии 5 м.

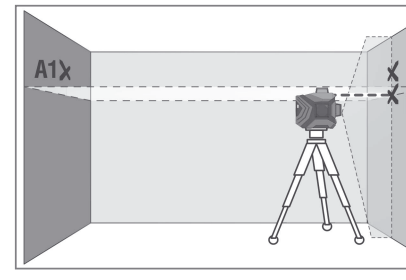
1. Установите прибор максимально близко к одной из стен. Включите вертикальный и горизонтальный излучатели, разблокируйте компенсатор. Разверните прибор излучателями в сторону ближней стены, чтобы пересечение лазерных линий на стене располагалось напротив прибора. Отметьте положение точки пересечения лазерных линий метка А1. На дальней стене напротив прибора отметьте точку В1.



2. Поверните прибор на 90°, измерьте отклонение оси луча от отметки В1. Если отклонение превышает 1,5 мм – обратитесь в сервисный центр.

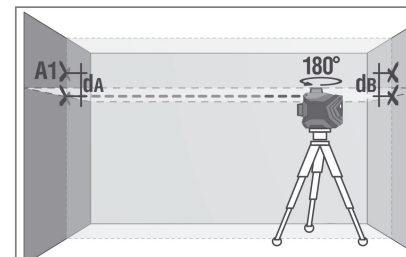


3. Повторите пункт 2 еще 2 раза, поворачивая прибор в одном направлении.
4. Перенесите прибор к противоположной стене, отметьте пересечение лазерных линий меткой В2 (метки В1, В2 должны находиться на одной вертикали).



5. Поверните прибор на 180° и отметьте на противоположной стене пересечение лазерных линий меткой А2 (метки А1, А2 должны находиться на одной вертикали).

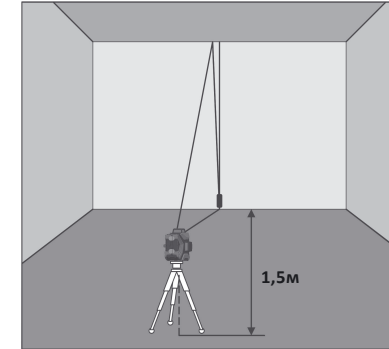
6. Измерьте расстояния dА, dВ между метками А1, А2 и В1, В2 соответственно. Если разница между значениями dА, dВ превышает 3 мм – обратитесь в сервисный центр.



7.2. Проверка вертикали

В качестве эталона вертикали используйте отвес. Установите прибор на расстоянии порядка 1,5 м от отвеса.

1. Разблокируйте компенсатор, включите вертикальный излучатель, совместите ось вертикальной лазерной линии с нижней точкой отвеса.
2. Если отклонение оси вертикальной линии от подвеса превышает 0,3 мм на 1 м длины подвеса (например, для отвеса длиной 2,5 м – максимальное отклонение не должно превышать 0,7 мм) – обратитесь в сервисный центр.



8. УХОД И ЭКСПЛУАТАЦИЯ

Внимание! Прибор является точным оптико-механическим устройством и требует бережного обращения. Перед началом работ, а также после механических воздействий (падение, удары) проводите проверку точности прибора.

Соблюдение следующих рекомендаций продлит срок службы прибора:

- Храните прибор, запасные части и аксессуары к нему вне досягаемости детей и посторонних лиц.
- Перемещайте прибор только с заблокированным компенсатором.
- Оберегайте прибор от ударов, падений, сильных вибраций, не допускайте попадания внутрь прибора влаги, строительной пыли, посторонних предметов.
- В случае попадания в прибор влаги в первую очередь выньте элементы питания, затем обратитесь в сервисный центр.
- Не храните и не используйте прибор в течение длительного времени в условиях повышенной влажности.
- Периодически проверяйте прибор на точность (см. раздел «Проверка точности»).
- Чистку прибора следует проводить мягкой влажной салфеткой. Не используйте агрессивные химикаты, очищающие растворители или моющие средства.
- Апертуру лазера периодически протирайте мягкой салфеткой без ворса и изопропиловым спиртом.

Несоблюдение следующих правил может привести к вытеканию электролита из элементов питания и порче прибора:

- Вынимайте аккумулятор из прибора, если он не используется в течение длительного времени.
- Не оставляйте в приборе разряженный аккумулятор.
- Не допускайте нагревания элементов питания во избежание риска взрыва и вытекания электролита. При попадании жидкости на кожу немедленно промойте пораженный участок водой с мылом. В случае попадания в глаза, промойте их чистой водой в течение 10 минут, затем обратитесь к врачу.

9. ГАРАНТИЙНЫЕ ОБЯЗАТЕЛЬСТВА

Гарантийный период составляет 24 месяца с даты продажи. Срок службы прибора - 36 месяцев.

Гарантия покрывает все расходы по ремонту или замене прибора. Гарантия не покрывает транспортные расходы, связанные с возвратом прибора в ремонт.

Гарантийные обязательства не распространяются на повреждения ставшие результатом механического или иного воздействия, нарушений правил эксплуатации, самостоятельного ремонта, а также на элементы питания.

Гарантийные обязательства не распространяются на случаи потери точности, возникшие в процессе эксплуатации прибора не по причине заводского брака, а также в случае обрыва подвижных цепей питания компенсатора в результате интенсивной эксплуатации или нарушений правил эксплуатации. Расходы по настройке прибора оплачиваются отдельно.

10. УТИЛИЗАЦИЯ

Отслужившие свой срок инструменты, принадлежности и упаковка должны быть утилизированы согласно действующим законам вашей страны.

Не выбрасывайте аккумуляторы/батареи в коммунальный мусор, не бросайте их в огонь или воду. Аккумуляторы/батареи следует собирать и сдавать на рекуперацию или на экологически чистую утилизацию.

Только для стран-членов ЕС:

Не выбрасывайте инструменты в коммунальный мусор! Согласно Европейской Директиве 2002/96/ЕС о старых электрических и электронных инструментах и приборах и ее претворению в национальное право, отслужившие свой срок измерительные инструменты должны собираться отдельно и быть переданы на экологически чистую рекуперацию отходов.

Неисправные или пришедшие в негодность аккумуляторы/батареи должны быть утилизированы согласно Директиве 2006/66/ЕС.

Производитель оставляет за собой право вносить изменения в конструкцию, алгоритмы работы, комплектацию прибора без предварительного уведомления.

11. СЕРВИС И КОНСУЛЬТАЦИОННЫЕ УСЛУГИ

Контакты для связи, консультации можно получить на сайте www.condrol.ru.