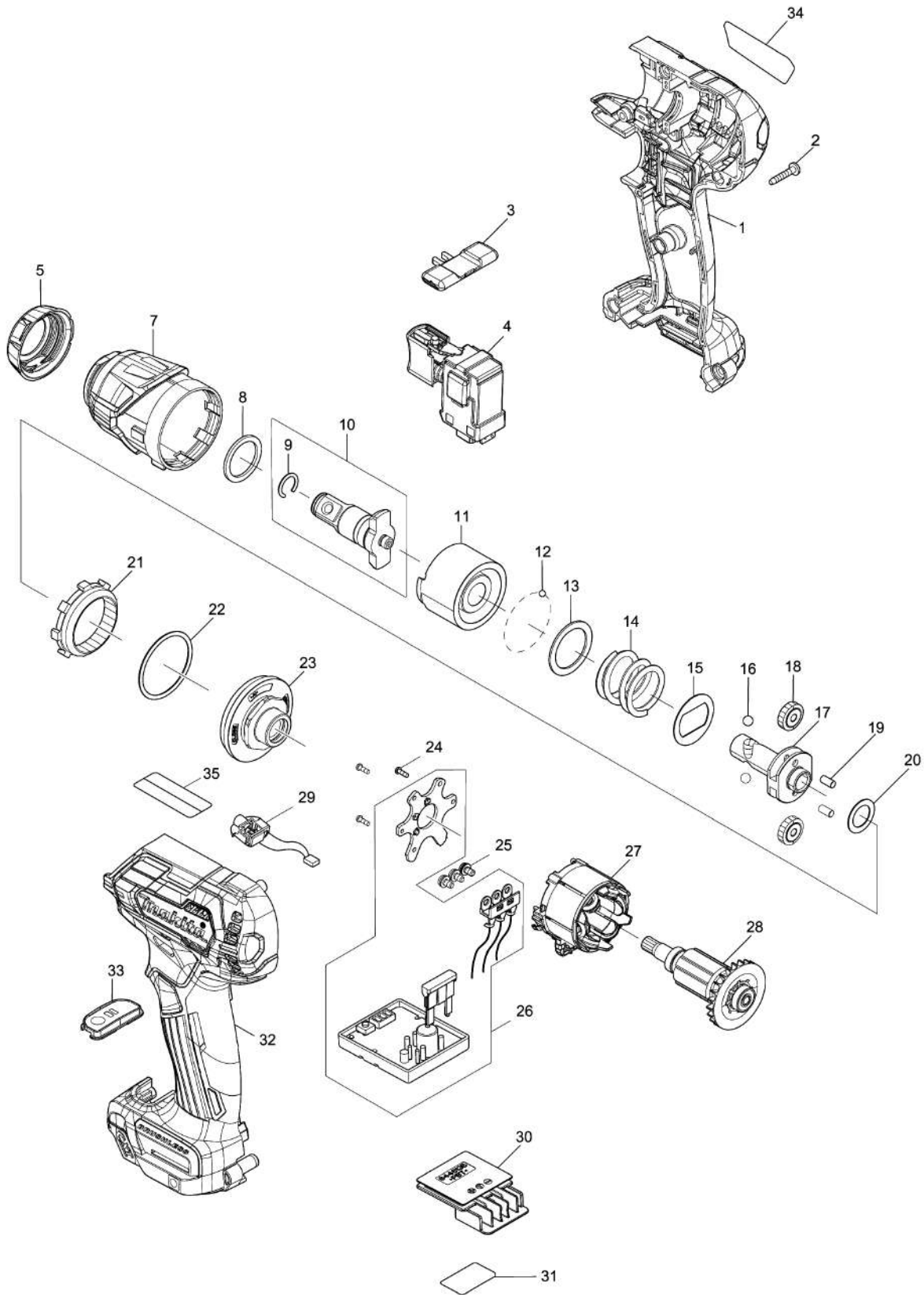


Model No.TW161D CORDLESS IMPACT WRENCH



Model No.TW161D CORDLESS IMPACT WRENCH

| Item  | Parts No. | Description             | I/C | Qty | New/Old | Opt. 1 | Opt. 2 | Note |
|-------|-----------|-------------------------|-----|-----|---------|--------|--------|------|
| 001   | 183L31-7  | HOUSING SET             |     | 1   |         |        |        |      |
| C10   | 263002-9  | RUBBER PIN 4            |     | 2   |         |        |        |      |
| C20   | 252126-6  | HEX. LOCK NUT M4-7      |     | 2   |         |        |        |      |
| D10   |           | INC. 32                 |     |     |         |        |        |      |
| 002   | 266429-2  | TAPPING SCREW 3X16      |     | 9   |         |        |        |      |
| 003   | 455053-8  | F/R CHANGE LEVER        |     | 1   |         |        |        |      |
| 004   | 143975-1  | SWITCH COMPLETE         |     | 1   |         |        |        |      |
| C10   | 424890-1  | SWITCH COVER            |     | 1   |         |        |        |      |
| 005   | 422407-4  | BUMPER                  |     | 1   |         |        |        |      |
| 007   | 140K41-1  | HAMMER CASE COMPLETE    |     | 1   |         |        |        |      |
| C10   | 213882-3  | O-RING 16               |     | 1   |         |        |        |      |
| 008   | 261159-0  | NYLON WASHER 19         |     | 1   |         |        |        |      |
| 009   | 231907-1  | RING SPRING 10          |     | 1   |         |        |        |      |
| 010   | 136030-6  | ANVIL E ASSY            |     | 1   |         |        |        |      |
| D10   |           | INC. 9                  |     |     |         |        |        |      |
| 011   | 327200-0  | HAMMER                  |     | 1   |         |        |        |      |
| 012   | 216019-1  | STEEL BALL 3            |     | 24  |         |        |        |      |
| 013   | 267352-4  | FLAT WASHER 22          |     | 1   |         |        |        |      |
| 014   | 232516-9  | COMPRESSION SPRING 21   |     | 1   |         |        |        |      |
| 015   | 267813-4  | WASHER 21               |     | 1   |         |        |        |      |
| 016   | 216002-8  | STEEL BALL 4.8          |     | 2   |         |        |        |      |
| 017   | 327046-4  | SPINDLE                 |     | 1   |         |        |        |      |
| 018   | 227213-0  | SPUR GEAR 17            |     | 2   |         |        |        |      |
| 019   | 268217-3  | PIN 3.5                 |     | 2   |         |        |        |      |
| 020   | 253052-2  | FLAT WASHER 12          |     | 1   |         |        |        |      |
| 021   | 227316-0  | INTERNAL GEAR 43        |     | 1   |         |        |        |      |
| 022   | 213479-8  | O RING 33               |     | 1   |         |        |        |      |
| 023   | 140G75-0  | BEARING BOX COMPLETE    |     | 1   |         |        |        |      |
| C10   | 213845-9  | O-RING 13               |     | 1   |         |        |        |      |
| 024   | 266490-9  | TAPPING SCREW PT 2X6    |     | 3   |         |        |        |      |
| 025   | 652069-6  | FLAT HEAD SCREW M3X6    |     | 3   |         |        |        |      |
| 026   | 620998-1  | CONTROLLER              |     | 1   |         |        |        |      |
| 027   | 629398-2  | STATOR                  |     | 1   |         |        |        |      |
| 028   | 619491-0  | ROTOR                   |     | 1   | *       |        |        |      |
| 028-1 | 619491-0  | ROTOR                   | O   | 1   |         |        |        |      |
| 029   | 620999-9  | LED CIRCUIT             |     | 1   |         |        |        |      |
| 030   | 644813-5  | TERMINAL                |     | 1   |         |        |        |      |
| 031   | 855S26-9  | TW161D SERIAL NO. LABEL |     | 1   |         |        |        |      |
| 032   | 183L31-7  | HOUSING SET             |     | 1   |         |        |        |      |
| C10   | 263002-9  | RUBBER PIN 4            |     | 2   |         |        |        |      |
| C20   | 252126-6  | HEX. LOCK NUT M4-7      |     | 2   |         |        |        |      |
| D10   |           | INC. 1                  |     |     |         |        |        |      |

Please order the parts with part number.

Print Date 2/9/2020

Model No.TW161D CORDLESS IMPACT WRENCH

| Item   | Parts No. | Description                    | I/C | Qty | New/Old | Opt. 1 | Opt. 2 | Note |
|--------|-----------|--------------------------------|-----|-----|---------|--------|--------|------|
| 033    | 140G52-2  | SWITCH PLATE COMPLETE          |     | 1   |         |        |        |      |
| C10    | 818X19-7  | SWITCH LABEL                   |     | 1   |         |        |        |      |
| 034    | 855S19-6  | TW161D NAME PLATE              |     | 1   |         |        |        |      |
| A01    | 266622-8  | + TRUSS HEAD SCREW M4X12       |     | 1   |         |        |        |      |
| A02    | 346909-5  | HOOK                           |     | 1   |         |        |        |      |
| A03B   | 821549-5  | CONNECTOR PLASTIC CASE (TYPE1) |     | 1   |         |        |        |      |
| C10    | 453974-8  | LATCH                          |     | 4   |         |        |        |      |
| A04B   | ***DC10SB | DC10SB BATTERY CHARGER         |     | 1   |         |        |        |      |
| D10    |           | COMPO-PARTS                    |     |     |         |        |        |      |
| A05B   | 197396-9  | BATTERY BL1021B SET            |     | 2   | *       |        |        |      |
| A05-1B | 197396-9  | BATTERY BL1021B SET            | O   | 2   |         |        |        |      |
| A06B   | 456128-6  | BATTERY COVER                  |     | 1   |         |        |        |      |
| A07B   | 838312-9  | INNER TRAY                     |     | 1   |         |        |        |      |
| A08B   | 819K38-8  | TW161DSAJ INDICATION LABEL     |     | 1   |         |        |        |      |
| A09B   | 819K39-6  | TW161DSAJ PLASTIC CASE LABEL   |     | 2   |         |        |        |      |

Please order the parts with part number.

Print Date 2/9/2020