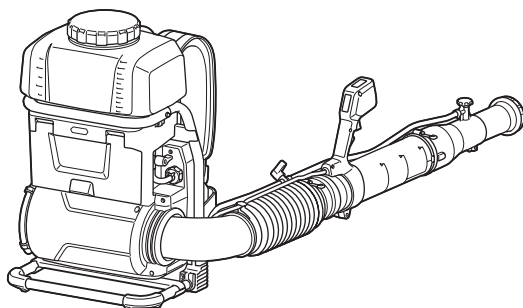




EN	Cordless Backpack Mist Blower	INSTRUCTION MANUAL	10
FR	Pulvérisateur dorsal sans fil	MANUEL D'INSTRUCTIONS	22
DE	Akku-Rucksacksprüngerät	BETRIEBSANLEITUNG	35
IT	Atomizzatore spalleggiato a batteria	ISTRUZIONI PER L'USO	49
NL	Ruggedragen accuvernevelaar	GEBRUIKSAANWIJZING	62
ES	Pulverizador de Mochila Inalámbrico	MANUAL DE INSTRUCCIONES	75
PT	Atomizador a bateria	MANUAL DE INSTRUÇÕES	89
EL	Φορητός νεφελοψεκαστήρας πλάτης	ΕΓΧΕΙΡΙΔΙΟ ΟΔΗΓΙΩΝ	102
TR	Akülü Sırt Tipi İlaçlama Makinası	KULLANMA KILAVUZU	116

PM001G



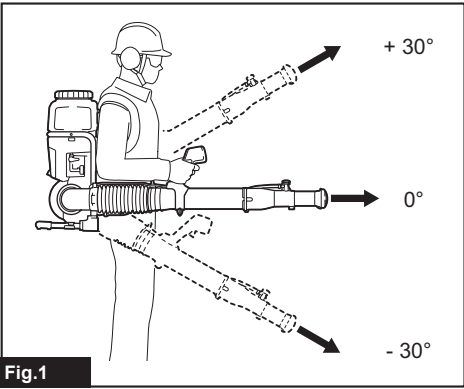


Fig.1

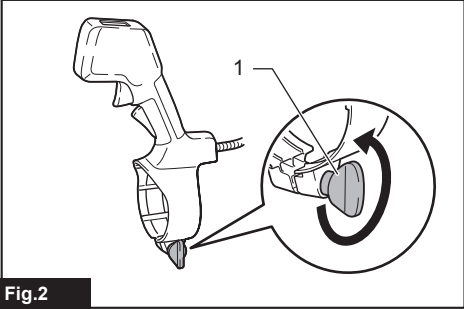


Fig.2

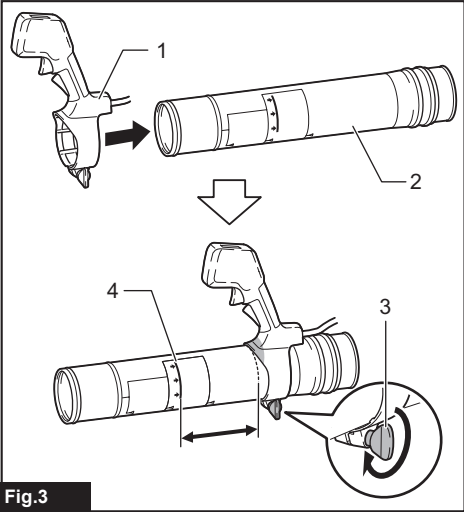


Fig.3

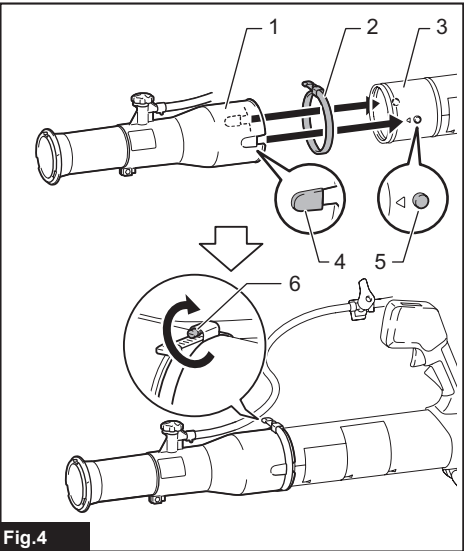


Fig.4

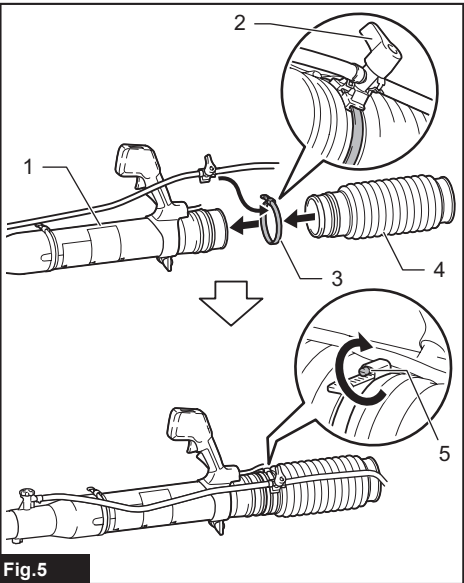
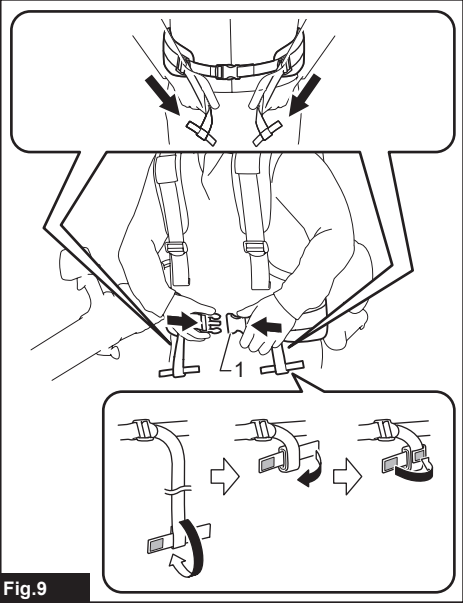
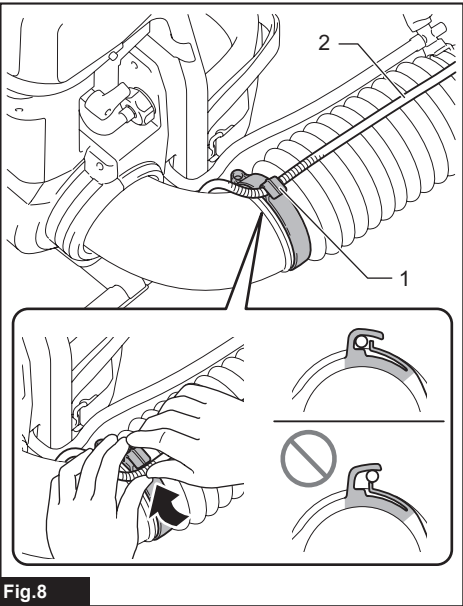
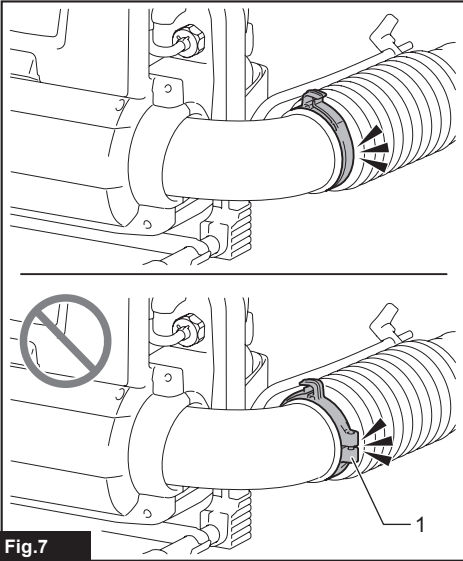
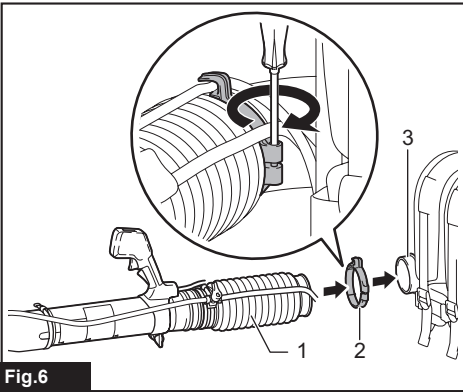


Fig.5



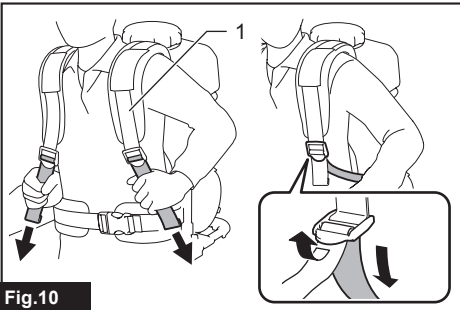


Fig.10

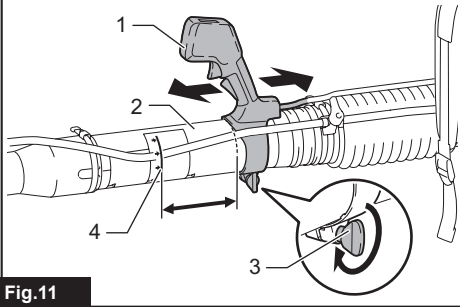


Fig.11

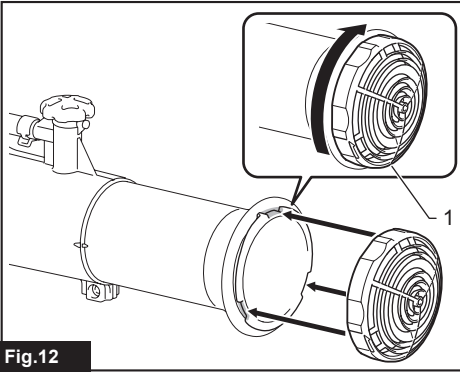


Fig.12

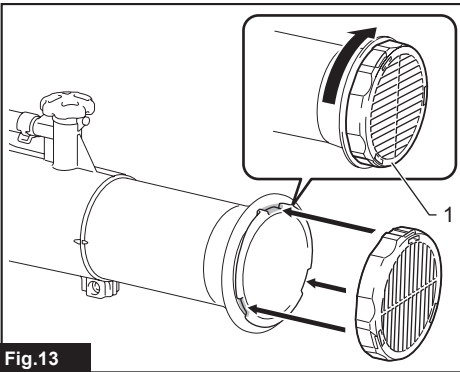


Fig.13

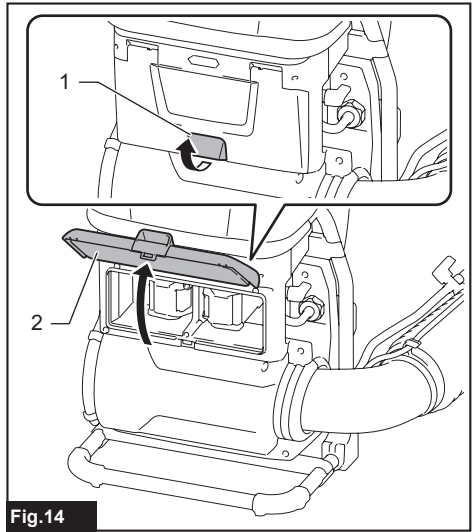


Fig.14

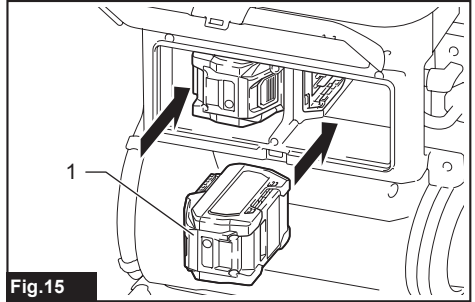


Fig.15

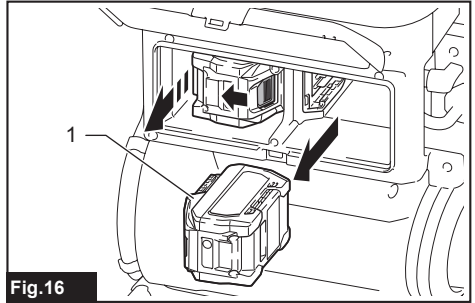


Fig.16

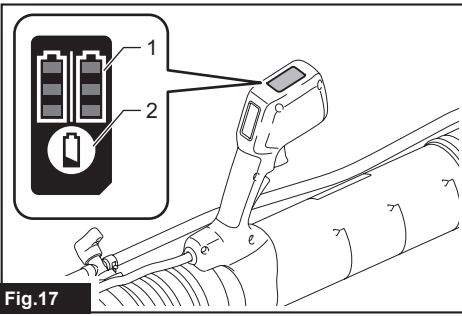


Fig.17

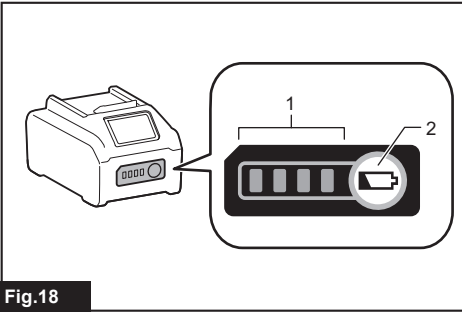


Fig.18

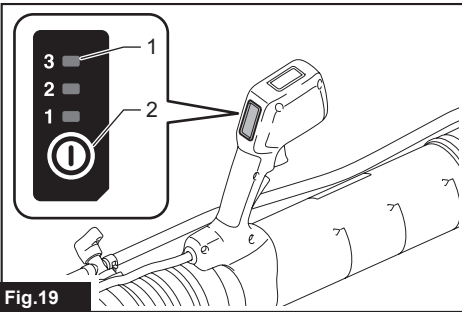


Fig.19

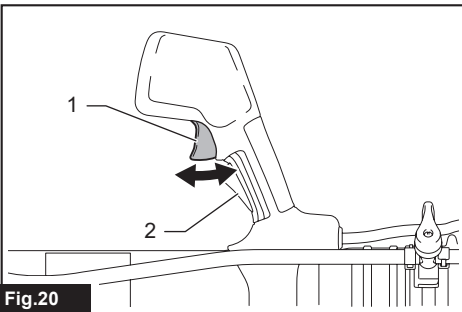


Fig.20

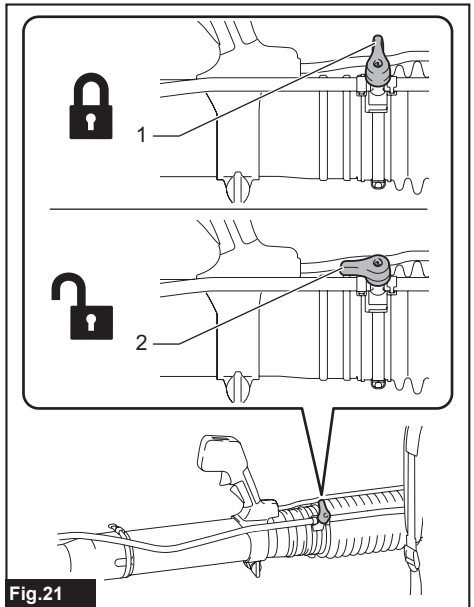


Fig.21

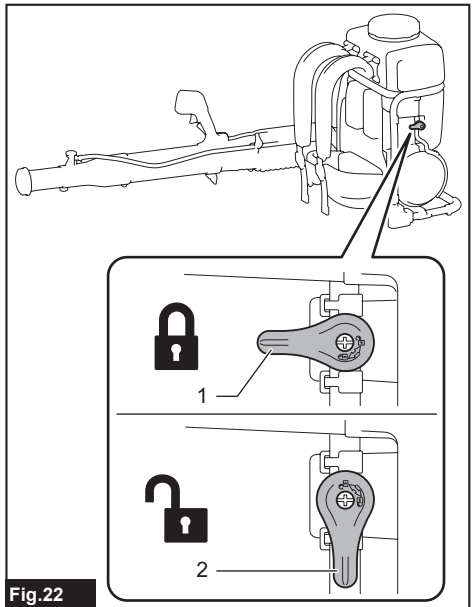


Fig.22

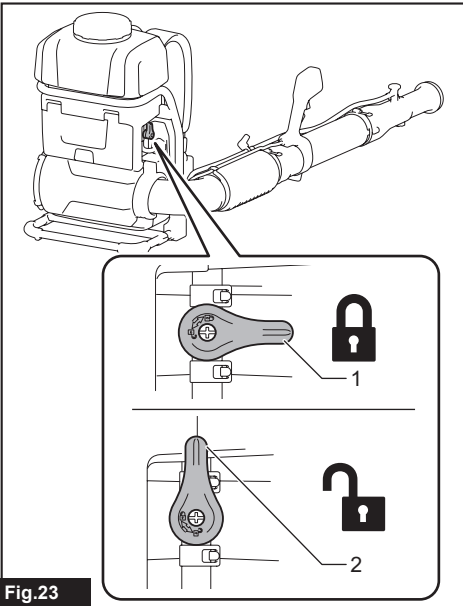


Fig.23

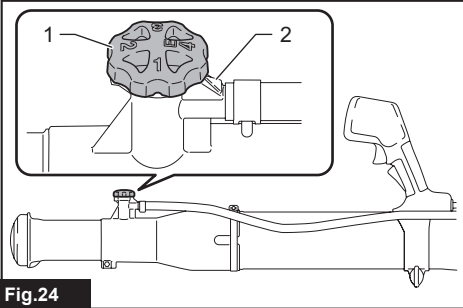


Fig.24

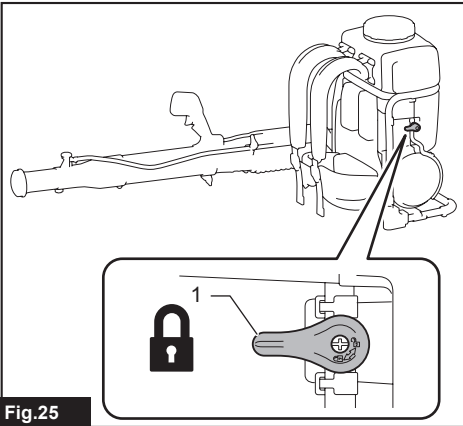


Fig.25

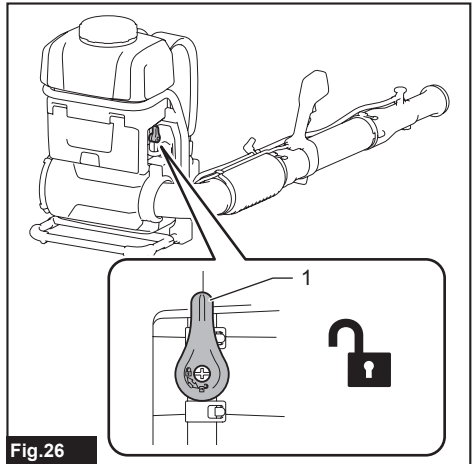


Fig.26

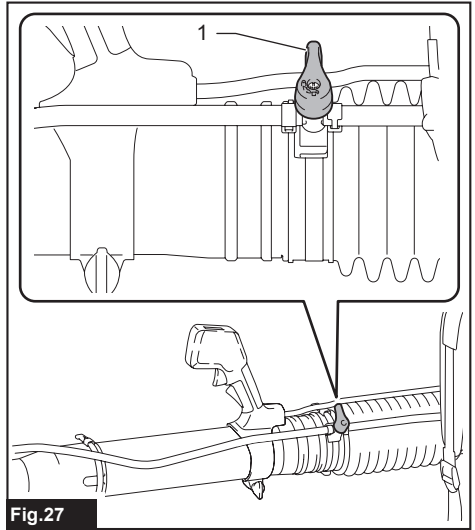


Fig.27

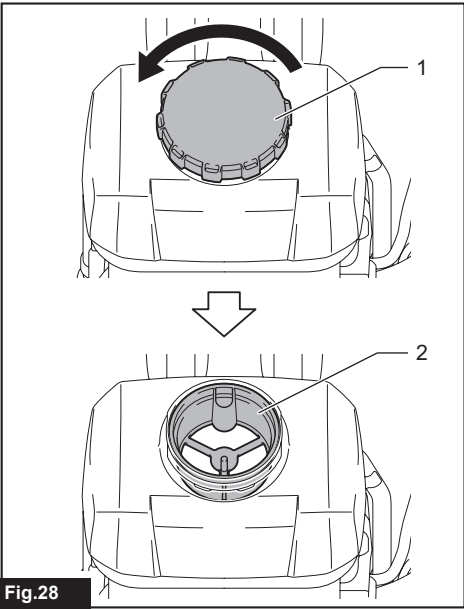


Fig.28

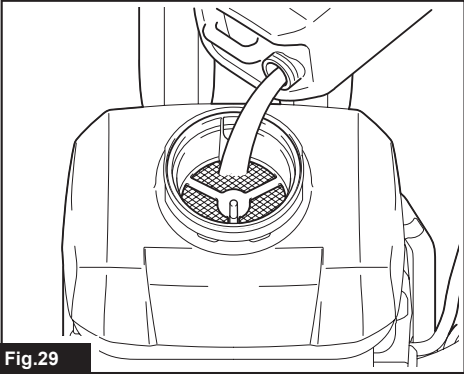


Fig.29

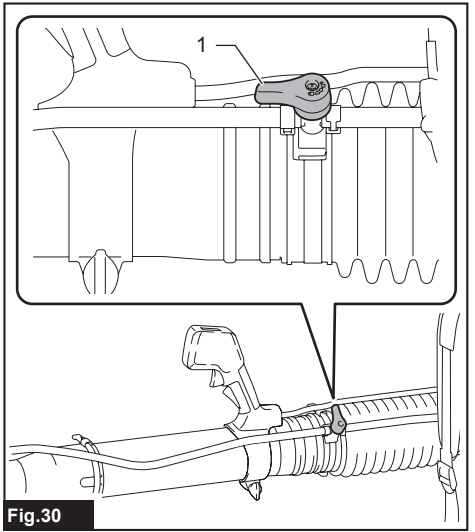


Fig.30

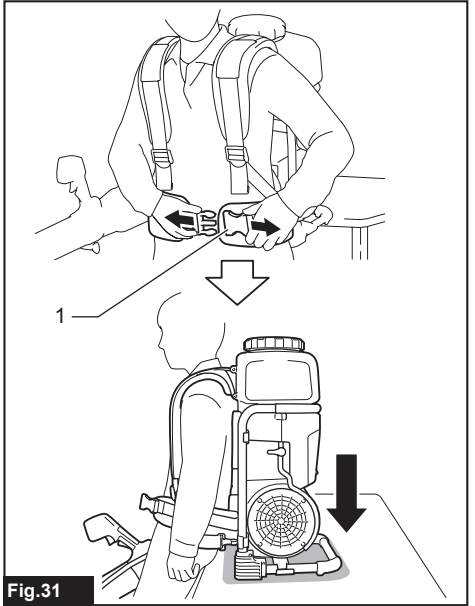


Fig.31

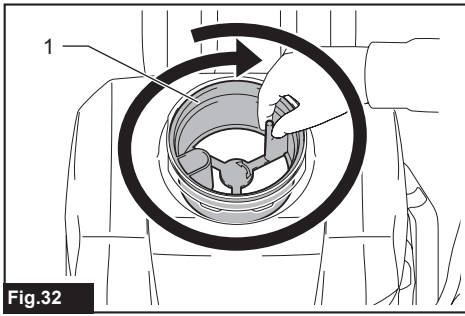


Fig.32

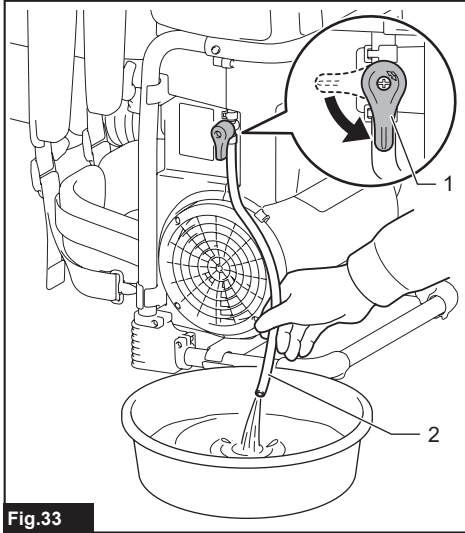


Fig.33

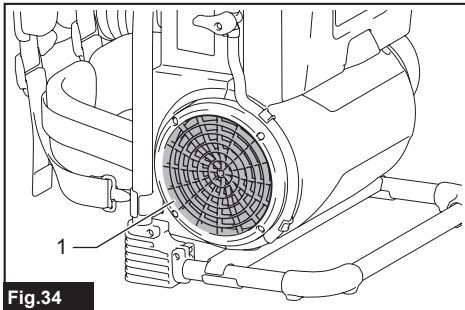


Fig.34

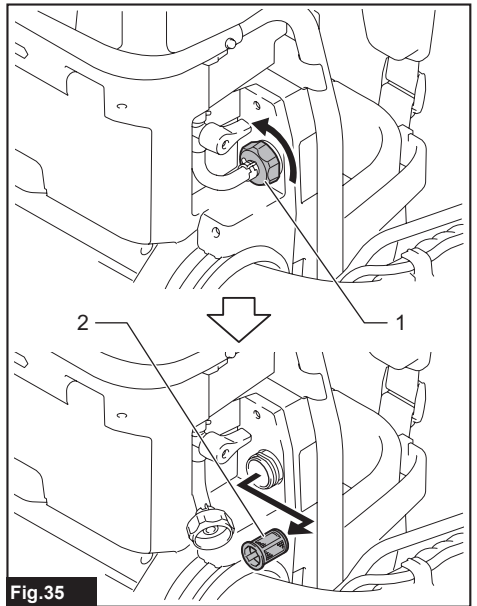


Fig.35

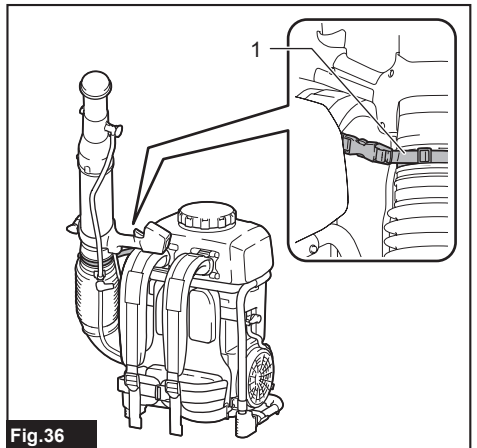


Fig.36

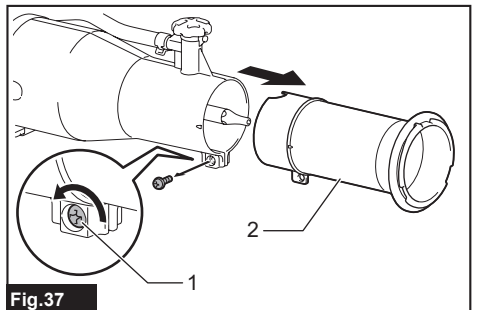
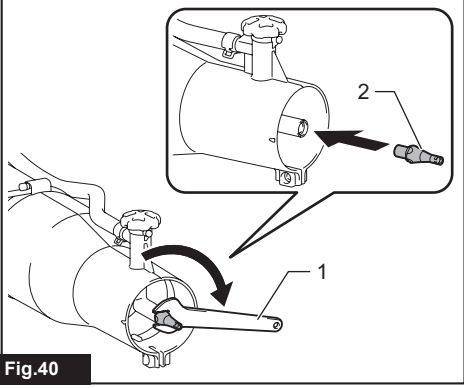
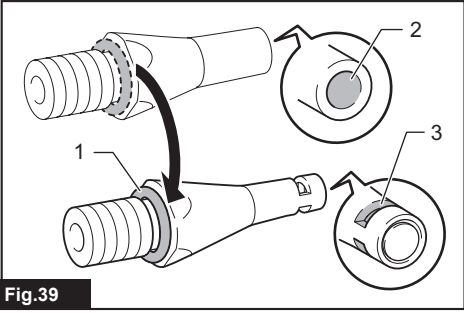
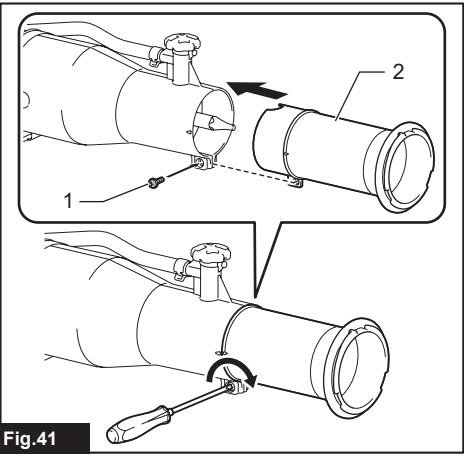
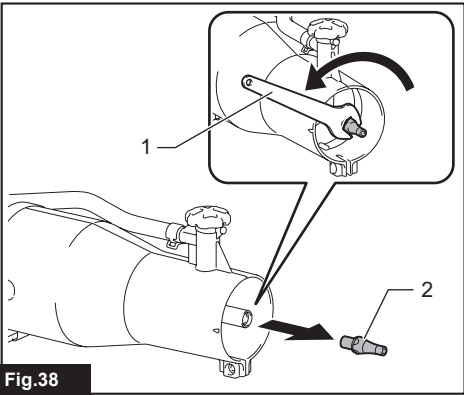


Fig.37



SPECIFICATIONS

Model:		PM001G
Capacities	Air volume	7.4 - 14.3 m ³ /min *1
	Air speed (average)	28.0 - 53.0 m/s
	Air speed (max.)	34.0 - 64.0 m/s
Tank capacity		15 l
Volume of total residual		50 ml or less
Dimensions (L x W x H) (with end nozzle)		320 mm x 600 mm x 690 mm
Rated voltage		D.C. 36 V - 40 V max
Net weight	*2	11.9 kg
	*3	12.8 - 15.7 kg
Protection degree		IPX4

- Due to our continuing program of research and development, the specifications herein are subject to change without notice.
- Specifications may differ from country to country.

*1: Maximum air flow rate is 858 m³/h.

*2: Weight when the tank is empty, without the batteries, with pipes, nozzle and harnesses.

*3: The lightest and heaviest combination of weight, according to EPTA-Procedure 01/2014. The weight may differ depending on the attachment(s), including the battery cartridge(s).

Applicable battery cartridge and charger

Battery cartridge	BL4040F / BL4050F / BL4080F
Charger	DC40RA / DC40RB / DC40RC / DC40WA

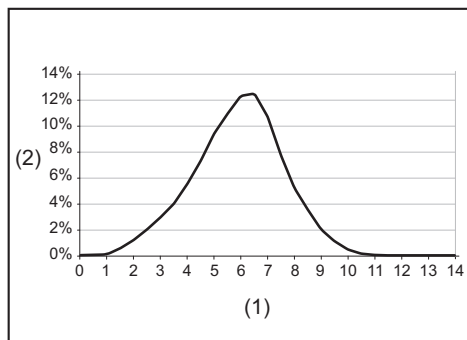
- Some of the battery cartridges and chargers listed above may not be available depending on your region of residence.

⚠ WARNING: Only use the battery cartridges and chargers listed above. Use of any other battery cartridges and chargers may cause injury and/or fire.

⚠ WARNING: Do not use a corded power supply such as portable power pack with this machine.

Spraying specifications

Horizontal spray range



(1) Distance from flow delivery (m) (2) Percentage of medium deposited on the ground

Droplet size

Droplet size with standard nozzle

Adjustment knob setting	Dv 0.1	Dv 0.5	Dv 0.9
1	22 µm	57 µm	112 µm
2	37 µm	102 µm	251 µm
3	40 µm	111 µm	267 µm
4	42 µm	115 µm	280 µm

Droplet size with ULV nozzle

Adjustment knob setting	Dv 0.1	Dv 0.5	Dv 0.9
1 - 4	14 µm	41 µm	85 µm

Discharge rate for working positions

► Fig.1

Discharge rate with standard nozzle

Adjustment knob setting	Nozzle angle		
	- 30°	0°	30°
1	0.23 l/min	0.19 l/min	0.12 l/min
2	1.13 l/min	0.71 l/min	0.34 l/min
3	1.37 l/min	0.95 l/min	0.49 l/min
4	1.55 l/min	1.21 l/min	0.51 l/min

Discharge rate with ULV nozzle

Adjustment knob setting	Nozzle angle		
	- 30°	0°	30°
1 - 4	0.05 l/min	0.04 l/min	0.03 l/min

NOTE: The values in this spraying specifications may differ depending on the working conditions or ambient temperature.

Symbols

The followings show the symbols which may be used for the equipment. Be sure that you understand their meaning before use.

	Take particular care and attention.
	Read instruction manual.
	Wear eye and ear protection.
	Wear respiratory protection.
	Do not expose to moisture.
	Wear sturdy boots with nonslip soles. Steeltoed safety boots are recommended.
	Wear protective gloves.
	Wear protective clothes.
	Keep bystanders away when spraying.
	Keep hands away from rotating parts.
	Long hair may cause entanglement accident.
	Keep bystanders away.
	Weight when the tank is empty.
	Weight when the tank is full.



Only for EU countries

Due to the presence of hazardous components in the equipment, waste electrical and electronic equipment, accumulators and batteries may have a negative impact on the environment and human health. Do not dispose of electrical and electronic appliances or batteries with household waste!

In accordance with the European Directive on waste electrical and electronic equipment and on accumulators and batteries and waste accumulators and batteries, as well as their adaptation to national law, waste electrical equipment, batteries and accumulators should be stored separately and delivered to a separate collection point for municipal waste, operating in accordance with the regulations on environmental protection.

This is indicated by the symbol of the crossed-out wheeled bin placed on the equipment.



Guaranteed sound power level according to EU Outdoor Noise Directive.



Sound power level according to Australia NSW Noise Control Regulation.

Intended use

The machine is intended for blowing mist.

Noise

The typical A-weighted noise level determined according to ISO22868:

Sound pressure level (L_{pA}) : 84.5 dB (A)

Sound power level (L_{WA}) : 103.3 dB (A)

Uncertainty (K) : 2.3 dB(A)

NOTE: The declared noise emission value(s) has been measured in accordance with a standard test method and may be used for comparing one tool with another.

NOTE: The declared noise emission value(s) may also be used in a preliminary assessment of exposure.

⚠ WARNING: Wear ear protection.

⚠ WARNING: The noise emission during actual use of the power tool can differ from the declared value(s) depending on the ways in which the tool is used especially what kind of workpiece is processed.

⚠ WARNING: Be sure to identify safety measures to protect the operator that are based on an estimation of exposure in the actual conditions of use (taking account of all parts of the operating cycle such as the times when the tool is switched off and when it is running idle in addition to the trigger time).

Vibration

The vibration total value (tri-axial vector sum) determined according to ISO22867:

Work mode: operation without load
Vibration emission (a_{rh}): 2.5 m/s² or less
Uncertainty (K): 1.5 m/s²

NOTE: The declared vibration total value(s) has been measured in accordance with a standard test method and may be used for comparing one tool with another.

NOTE: The declared vibration total value(s) may also be used in a preliminary assessment of exposure.

⚠WARNING: The vibration emission during actual use of the power tool can differ from the declared value(s) depending on the ways in which the tool is used especially what kind of workpiece is processed.

⚠WARNING: Be sure to identify safety measures to protect the operator that are based on an estimation of exposure in the actual conditions of use (taking account of all parts of the operating cycle such as the times when the tool is switched off and when it is running idle in addition to the trigger time).

Declarations of Conformity

For European countries only

The Declarations of conformity are included in Annex A to this instruction manual.

SAFETY WARNINGS

General power tool safety warnings

⚠WARNING Read all safety warnings, instructions, illustrations and specifications provided with this power tool. Failure to follow all instructions listed below may result in electric shock, fire and/or serious injury.

Save all warnings and instructions for future reference.

The term "power tool" in the warnings refers to your mains-operated (corded) power tool or battery-operated (cordless) power tool.

Cordless Backpack Mist Blower Safety Instructions

⚠WARNING: Read all safety warnings and all instructions. Failure to follow the warnings and instructions may result in electric shock, fire and/or serious injury.

Save all warnings and instructions for future reference.

General Instructions

1. To ensure correct and safe operation, the user must read, understand and follow this instruction manual to assure familiarity with the handling of the machine. Users insufficiently

informed will risk danger to themselves as well as others due to improper handling.

2. It is recommended to lend the machine only to people who have proven to be experienced with mist blowers.
3. Children and young persons aged under 18 years must not be allowed to operate the machine. Persons over the age of 16 years may however use the machine for the purpose of being trained only while under the direct supervision of a qualified trainer.
4. Only use plant protection products that are specifically approved for use with mist blowers by the manufacturer and that meet all applicable safety regulations, standards, and ordinances.
5. All operating and servicing people should be trained and familiarized with the proper handling procedures for the chemical products being used, as well as with liquid chemical disposal regulations.
6. To reduce the risk of injury when using chemical products, wear proper protective apparel when filling, using and cleaning the mist blower. Always follow all of the chemical manufacturer's instructions with respect to proper eye, skin and respiratory protection.
7. When using toxic chemicals, the operator and any bystanders may need to wear a properly fitted respirator for the chemical being used. Refer to the chemical product label. Breathing toxic chemicals can cause serious or fatal injury.

Intended use of the machine

1. The machine is only intended for spraying liquid chemicals and other liquids to control pests and weeds in fruit, flower and vegetable gardens, on trees and bushes and on other plants, such as coffee, tobacco and cotton. It is also useful for the maintenance of young trees to control the bark beetle and other pests and plant diseases. Never use for any other purposes.

Training

1. Read the instructions carefully. Be familiar with the controls and the correct use of the machine.
2. Never allow children, persons with reduced physical, sensory or mental capabilities or lack of experience and knowledge or people unfamiliar with these instructions to use the machine. Local regulations may restrict the age of the operator.
3. Never operate the machine while people, especially children, or pets are nearby.
4. Keep in mind that the operator or user is responsible for accidents or hazards occurring to other people or their property.

Preparation

1. Always wear substantial footwear and long trousers while operating the machine.
2. Do not wear loose clothing or jewellery that can be drawn into the air inlet. Keep long hair away from the air inlets.

3. To prevent dust irritation the wearing of a face mask is recommended.
4. While operating the machine, always wear non-slip and protective footwear. Non-skid, closed-toed safety boots and shoes will reduce the risk of injury.
5. Always wear rubber/chemical-resistant gloves and rubber/chemical boots when working with the machine.

Handling of chemicals

1. Some chemicals may contain toxic and/or caustic substances. Such chemicals can be dangerous and cause serious or fatal injury to persons and animals and/or severe damage to plants and the environment. Avoid direct contact with chemicals. Follow the chemical manufacturer's instructions with respect to any contact with its product.
2. Read the manufacturer's label and instruction manual each time before mixing or using the chemical and before storing or disposal. Careless or improper use may cause serious or fatal injury.
3. Carefully read the labels on chemical containers before use. Chemicals are classified into categories of toxicity. Each category will have unique handling characteristics. Familiarize yourself with the characteristics for the category of the chemical you are using. Chemicals may be used only by persons trained in their handling and the appropriate first-aid measures.
4. Chemicals may be harmful to persons, animals and the environment if improperly used. It is advisable not to use some chemicals that are caustic, corrosive or poisonous with the machine.
5. Mix only compatible pesticides. Wrong mixtures can produce toxic fumes. When handling and spraying chemicals, make sure you are operating in accordance with your local environmental protection rules and guidelines. Do not spray when it is windy. To help protect the environment, use only the recommended dosage.
6. Avoid opening your mouth such as eating, drinking, or smoking while handling chemicals or while you are spraying. Never blow through nozzles, tubes, pipes or any other component by your mouth. Always handle chemicals in a well-ventilated area while wearing appropriate protective clothing and safety equipment.
7. Do not store or transport chemicals together with food, drink, or medicines, and never reuse a chemical container for any other purposes. Do not transfer liquid chemicals to other containers, especially food and/or drink containers.
8. Keep the product's label ready to read to or show the persons you consult. Clean all chemical spills immediately. In case of accidental contact or ingestion of chemicals or in case of contamination of clothing, stop working and immediately consult the chemical manufacturer's instructions. If doubtful about what to

do, ask a doctor or poison control center for advice immediately.

9. Dispose of any residue observing the laws and regulations of your region of residence.
10. Keep chemicals out of reach of children, other unauthorized people and animals. When not in use, store chemicals in a safe and locked place. Follow the manufacturer's recommendations for proper storage.

Preparing chemicals

1. Prepare chemical solutions following the chemical manufacturer's instructions.
2. Prepare solution only enough for the job at hand so that no solution is left over.
3. Mix chemicals only by following instructions. Wrong mixtures can produce toxic fumes or explosive mixtures.
4. Never spray undiluted chemicals.
5. Prepare solution and fill the container outdoors only in a well-ventilated place.

Storing chemicals

1. Do not store spray solution in the container for more than one day.
2. Always store and transport spray solution only in approved containers.
3. Never store or transport the spray solution in containers intended for foods, drinks or animal feed.
4. Do not store or transport spray solution with foods, drinks or animal feed.
5. Keep spray solution out of the reach of children, other unauthorized people and animals.
6. Store the spray solution in a locked place secured against unauthorized use.

Disposing of chemicals

1. Never dispose of residual chemicals or contaminated rinsing solutions in waterways, drains, sewers, street gutters, manholes or the like.
2. When disposing of contaminated rinse, observe your all applicable laws, regulations and ordinances.
3. Strictly observe the precautionary instructions of the chemical manufacturer.

Filling the tank

1. Make sure that the draining lever and nozzle lever are closed.
2. Before using the mist blower with chemicals, fill the tank with fresh water to assure that you have assembled it properly and practice spraying. Also, check for any leaks at this time. When thoroughly familiar with the mist blower operation, follow normal operating procedures.
3. Fill the tank in well-ventilated areas or outdoors.
4. Do not use flammables in the mist blower, which may cause explosion resulting in serious or fatal injury.
5. Do not use caustic or corrosive materials in the mist blower, which could result in damage to the machine.

6. Do not use liquid with temperature exceeds 50 °C (122 °F) to reduce the risk of scalding and damage to the machine.
7. To fill the tank, place the mist blower on a level surface. To reduce the risk of contaminating the surrounding environment, be careful not to overflow the tank with chemical solution.
8. To reduce the risk of injury, do not fill the tank while wearing the machine on your back.
9. If you fill the solution container with a hose attached to a central water supply, be sure the end of the hose is out of the solution to reduce the risk of backflow.
10. Calculate the correct amount of chemical solution so that it is used up at one time, with no extra solution left over in the tank.
11. After filling, tighten the tank cap firmly.
12. Check for leakage while refilling and during operation. A leak from the tank or a loose fitting could soak your clothing and come into contact with your skin.
13. Fill the tank with liquid according to operator's body size or strength.

Operation

1. Switch off the machine and remove the battery cartridges and make sure that all moving parts have come to a complete stop
 - whenever you leave the machine.
 - before clearing blockages.
 - before checking, cleaning or working on the machine.
 - if the machine starts to vibrate abnormally.
2. Operate the machine only in daylight or in good artificial light.
3. Do not overreach and keep proper balance and footing at all times.
4. Always be sure of your footing on slopes.
5. Walk, never run.
6. Keep all cooling air inlets clear of debris.
7. Never spray in the direction of bystanders.
8. Operate the machine in a recommended position and on a firm surface.
9. Do not operate the machine at high places.
10. Never point the nozzle at anyone in the vicinity when using the machine.
11. Never block suction inlet and/or mist blower outlet.
 - Be careful not to block suction inlet or mist blower outlet with dust or dirt when operating in dusty area.
 - Do not use nozzles other than the nozzles provided by Makita.
12. Do not operate the machine near open window, etc.
13. Operating the machine only at reasonable hours is recommended - not early in the morning or late at night when people might be disturbed.
14. If the machine strikes any foreign objects or should start making any unusual noise or vibration, immediately switch off the machine

- to stop it. Remove the battery cartridges from the machine and inspect the machine for damage before restarting and operating the machine. If the machine is damaged, ask Makita Authorized Service Centers for repair.
15. Do not insert fingers or other objects into suction inlet or mist blower outlet.
16. Prevent unintentional starting. Ensure the switch is in the off-position before inserting battery cartridges, picking up or carrying the machine. Carrying the machine with your finger on the switch or energizing the machine that has the switch on invites accidents.
17. Do not operate the machine near flammable materials.
18. Avoid operating the machine for a long time in low temperature environment.
19. Do not use the machine when there is a risk of lightning.
20. When you use the machine on muddy ground, wet slope, or slippery place, pay attention to your footing.
21. Do not use the machine in bad weather where visibility is limited. Failure to do so may cause fall or incorrect operation due to low visibility.
22. Do not submerge the machine into a puddle.
23. Do not leave the machine unattended outdoors in the rain.
24. Do not use the machine in the snow.
25. During operation, keep the cord away from obstacles. The cord caught by obstacles may cause serious injury.
26. Avoid working in freezing temperatures as the liquid in the tank may freeze.

After operation

1. Always wash yourself thoroughly with soap and water after spraying or handling chemicals. Shower immediately, and wash all protective clothing separately from other items. Follow any additional recommendations of the chemical manufacturer.
2. Empty, rinse and clean the tank and strainer after each use. This helps to prevent the solution from crystallizing, which could later cause clogging and chemical damage to the machine. In addition, residual chemicals may have undesirable effects during subsequent spraying with a different type of chemical (e.g., residual herbicide may damage or kill plants being sprayed with a pesticide).
3. Do not store the machine with spray solution in the tank.

Maintenance and storage

1. Keep all nuts, bolts and screws tight to be sure the machine is in safe working condition.
2. If the parts are worn or damaged, replace them with parts provided by Makita.
3. Store the machine in a dry place out of the reach of children.
4. When you stop the machine for inspection, servicing, storage, or changing accessory, switch off the machine and make sure that all moving parts come to a complete stop, and

remove the battery cartridges. Cool down the machine before making any work on the machine. Maintain the machine with care and keep it clean.

5. Always cool down the machine before storing.
6. Do not expose the machine to rain. Store the machine indoors.
7. When you lift the machine, be sure to bend your knees and be careful not to hurt your back.
8. When washing the machine, do not let water enter the electrical mechanism such as battery, motor, and terminals.
9. When storing the machine, avoid direct sunlight and rain, and store it in a place where it does not get hot or humid.
10. When carrying the machine, be sure to hold the machine firmly.
11. When carrying the machine, be careful not to get the cord caught by obstacles.

Battery tool use and care

1. **Recharge only with the charger specified by the manufacturer.** A charger that is suitable for one type of battery pack may create a risk of fire when used with another battery pack.
2. **Use power tools only with specifically designated battery packs.** Use of any other battery packs may create a risk of injury and fire.
3. **When battery pack is not in use, keep it away from other metal objects, like paper clips, coins, keys, nails, screws or other small metal objects, that can make a connection from one terminal to another.** Shorting the battery terminals together may cause burns or a fire.
4. **Under abusive conditions, liquid may be ejected from the battery; avoid contact. If contact accidentally occurs, flush with water. If liquid contacts eyes, additionally seek medical help.** Liquid ejected from the battery may cause irritation or burns.
5. **Do not use a battery pack or tool that is damaged or modified.** Damaged or modified batteries may exhibit unpredictable behaviour resulting in fire, explosion or risk of injury.
6. **Do not expose a battery pack or tool to fire or excessive temperature.** Exposure to fire or temperature above 130 °C may cause explosion.
7. **Follow all charging instructions and do not charge the battery pack or tool outside the temperature range specified in the instructions.** Charging improperly or at temperatures outside the specified range may damage the battery and increase the risk of fire.

Electrical and battery safety

1. **Do not dispose of the battery(ies) in a fire.** The cell may explode. Check with local codes for possible special disposal instructions.
2. **Do not open or mutilate the battery(ies).** Released electrolyte is corrosive and may cause damage to the eyes or skin. It may be toxic if swallowed.
3. **Do not charge battery in rain, or in wet locations.**

4. **Do not charge the battery outdoors.**
5. **Do not handle charger, including charger plug, and charger terminals with wet hands.**
6. **Do not replace the battery with wet hands.**
7. **Do not replace the battery in the rain.**
8. **Do not wet the terminal of battery with liquid such as water, or submerge the battery. Do not leave the battery in the rain, nor charge, use, or store the battery in a damp or wet place.** If the terminal gets wet or liquid enters inside of battery, the battery may be short circuited and there is a risk of overheating, fire, or explosion.
9. **After removing the battery from the machine or charger, be sure to store it in a dry place.**
10. **If the battery cartridge gets wet, drain the water inside and then wipe it with a dry cloth. Dry the battery cartridge completely in a dry place before use.**

Service

1. **Have your power tool serviced by a qualified repair person using only identical replacement parts.** This will ensure that the safety of the power tool is maintained.
2. **Never service damaged battery packs.** Service of battery packs should only be performed by the manufacturer or authorized service providers.

SAVE THESE INSTRUCTIONS.

⚠WARNING: DO NOT let comfort or familiarity with product (gained from repeated use) replace strict adherence to safety rules for the subject product.

MISUSE or failure to follow the safety rules stated in this instruction manual may cause serious personal injury.

Important safety instructions for battery cartridge

1. **Before using battery cartridge, read all instructions and cautionary markings on (1) battery charger, (2) battery, and (3) product using battery.**
2. **Do not disassemble or tamper with the battery cartridge.** It may result in a fire, excessive heat, or explosion.
3. **If operating time has become excessively shorter, stop operating immediately. It may result in a risk of overheating, possible burns and even an explosion.**
4. **If electrolyte gets into your eyes, rinse them out with clear water and seek medical attention right away. It may result in loss of your eyesight.**
5. **Do not short the battery cartridge:**
 - (1) **Do not touch the terminals with any conductive material.**
 - (2) **Avoid storing battery cartridge in a container with other metal objects such as nails, coins, etc.**
 - (3) **Do not expose battery cartridge to water or rain.**

A battery short can cause a large current

flow, overheating, possible burns and even a breakdown.

6. Do not store and use the tool and battery cartridge in locations where the temperature may reach or exceed 50 °C (122 °F).
7. Do not incinerate the battery cartridge even if it is severely damaged or is completely worn out. The battery cartridge can explode in a fire.
8. Do not nail, cut, crush, throw, drop the battery cartridge, or hit against a hard object to the battery cartridge. Such conduct may result in a fire, excessive heat, or explosion.
9. Do not use a damaged battery.
10. The contained lithium-ion batteries are subject to the Dangerous Goods Legislation requirements.

For commercial transports e.g. by third parties, forwarding agents, special requirement on packaging and labeling must be observed. For preparation of the item being shipped, consulting an expert for hazardous material is required. Please also observe possibly more detailed national regulations.

Tape or mask off open contacts and pack up the battery in such a manner that it cannot move around in the packaging.

11. When disposing the battery cartridge, remove it from the tool and dispose of it in a safe place. Follow your local regulations relating to disposal of battery.
12. Use the batteries only with the products specified by Makita. Installing the batteries to non-compliant products may result in a fire, excessive heat, explosion, or leak of electrolyte.
13. If the tool is not used for a long period of time, the battery must be removed from the tool.
14. During and after use, the battery cartridge may take on heat which can cause burns or low temperature burns. Pay attention to the handling of hot battery cartridges.
15. Do not touch the terminal of the tool immediately after use as it may get hot enough to cause burns.
16. Do not allow chips, dust, or soil stuck into the terminals, holes, and grooves of the battery cartridge. It may cause heating, catching fire, burst and malfunction of the tool or battery cartridge, resulting in burns or personal injury.
17. Unless the tool supports the use near high-voltage electrical power lines, do not use the battery cartridge near high-voltage electrical power lines. It may result in a malfunction or breakdown of the tool or battery cartridge.
18. Keep the battery away from children.

SAVE THESE INSTRUCTIONS.

CAUTION: Only use genuine Makita batteries. Use of non-genuine Makita batteries, or batteries that have been altered, may result in the battery bursting causing fires, personal injury and damage. It will also void the Makita warranty for the Makita tool and charger.

battery life

1. Charge the battery cartridge before completely discharged. Always stop tool operation and charge the battery cartridge when you notice less tool power.
2. Never recharge a fully charged battery cartridge. Overcharging shortens the battery service life.
3. Charge the battery cartridge with room temperature at 10 °C - 40 °C (50 °F - 104 °F). Let a hot battery cartridge cool down before charging it.
4. When not using the battery cartridge, remove it from the tool or the charger.
5. Charge the battery cartridge if you do not use it for a long period (more than six months).

ASSEMBLY

CAUTION: Always be sure that all the battery cartridges are removed before carrying out any work on the machine. Failure to remove all the battery cartridges may result in serious personal injury from accidental start-up.

Assembling blower pipes

1. Loosen the clamp screw.
▶ **Fig.2:** 1. Clamp screw
2. Install the control handle to the swivel pipe and tighten the clamp screw. Be sure not to position the control handle forward beyond the arrow marks.
▶ **Fig.3:** 1. Control handle 2. Swivel pipe 3. Clamp screw 4. Arrow marks
3. Loosen the screw on the hose clamp, and then attach the hose clamp to the end nozzle. Align the grooves on the end nozzle with the protrusions on the swivel pipe, then attach the end nozzle to the swivel pipe, and then tighten the screw on the hose clamp.
▶ **Fig.4:** 1. End nozzle 2. Hose clamp 3. Swivel pipe 4. Groove 5. Protrusion 6. Screw
4. Loosen the screw on the hose clamp, then attach the nozzle lever to the hose clamp, and then attach the hose clamp to the flexible pipe. Attach the swivel pipe to the flexible pipe, and then tighten the screw on the hose clamp.
▶ **Fig.5:** 1. Swivel pipe 2. Nozzle lever 3. Hose clamp 4. Flexible pipe 5. Screw
5. Loosen the screw on the hose clamp, and then attach the hose clamp to the flexible pipe. Attach the flexible pipe to the elbow, and then tighten the screw on the hose clamp.
▶ **Fig.6:** 1. Flexible pipe 2. Hose clamp 3. Elbow

Tips for maintaining maximum

NOTICE: Make sure that the screw on the hose clamp is not facing outward as shown in the figure.

► Fig.7: 1. Screw

6. Clamp the control cable to the cable holders.

► Fig.8: 1. Cable holder 2. Control cable

NOTICE: Make sure that the control cable is securely fixed to the cable holder.

Adjusting the belt and shoulder harness

1. Put on the machine, then lock the buckle of the waist belt, and then adjust the length of the waist belt.

► Fig.9: 1. Buckle

2. Adjust the length of the shoulder harness.

► Fig.10: 1. Shoulder harness

Adjusting the control lever position

Loosen the clamp screw. Move the control handle along the swivel pipe to the most comfortable position, and then tighten the clamp screw.

Do not move the handle beyond the arrow marks.

► Fig.11: 1. Control handle 2. Swivel pipe 3. Clamp screw 4. Arrow marks

Attaching the diffusion cover

You can diffuse the mist by attaching the diffusion cover to the end nozzle as shown in the figure.

► Fig.12: 1. Diffusion cover

Attaching the deflector

Optional accessory

You can discharge the mist upward or downward by attaching the deflector to the end nozzle as shown in the figure.

► Fig.13: 1. Deflector

FUNCTIONAL DESCRIPTION

CAUTION: Always be sure that the machine is switched off and all the battery cartridges are removed before adjusting or checking function on the machine.

Installing or removing battery cartridge

CAUTION: Always switch off the machine before installing or removing of the battery cartridge.

CAUTION: Hold the machine and the battery cartridge firmly when installing or removing battery cartridge. Failure to hold the machine and the battery cartridge firmly may cause them to slip off your hands and result in damage to the machine and battery cartridge and a personal injury.

CAUTION: Make sure that you lock the battery cover before use. Otherwise, mud, dirt, or water may cause damage to the product or the battery cartridge.

CAUTION: Always install the battery cartridge fully until the red indicator cannot be seen. If not, it may accidentally fall out of the machine, causing injury to you or someone around you.

CAUTION: Do not install the battery cartridge forcibly. If the cartridge does not slide in easily, it is not being inserted correctly.

CAUTION: Hold the battery cover firmly when installing or removing the battery cartridge.

To install the battery cartridge;

1. Pull up the locking lever upward, and then open the battery cover.

► Fig.14: 1. Locking lever 2. Battery cover

2. Align the tongue on the battery cartridge with the slot on the machine, and then slide the cartridge until it locks in place with a little click.

► Fig.15: 1. Battery cartridge

3. Close the battery cover and push it until it is latched with the locking lever.

To remove the battery cartridge;

1. Pull up the locking lever and open the battery cover.

2. Pull out the battery cartridge from the machine while sliding the button on the front of the cartridge.






► Fig.16: 1. Battery cartridge


3. Close the battery cover.

Battery check button

You can check the remaining battery capacity by pressing the battery check button.

► Fig.17: 1. Battery indicator 2. Battery check button

Battery indicator status			Remaining battery capacity
 On	 Off	 Blinking	
			50% to 100%
			20% to 50%

Battery indicator status			Remaining battery capacity
On	Off	Blinking	
			0% to 20%

NOTE: The indicator lamp for remaining battery capacity is just for a reference. The actual battery capacity may differ depending on the usage conditions or ambient temperature.

NOTE: While the machine is in operation, the indicator lamp does not light up even if you press the check button.

NOTE: The lamp automatically goes off after a few seconds.

NOTE: If two battery cartridges are installed, the battery installed on the right side is used first.

NOTE: If two battery cartridges are installed, the machine automatically switches the battery when the battery in use becomes empty.

Indicating the remaining battery capacity

Press the check button on the battery cartridge to indicate the remaining battery capacity. The indicator lamps light up for a few seconds.

► **Fig.18:** 1. Indicator lamps 2. Check button

Indicator lamps			Remaining capacity
Lighted	Off	Blinking	
■ ■ ■ ■	□ □ □ □	▧	75% to 100%
■ ■ ■ □	□ □ □ □	▧	50% to 75%
■ ■ □ □	□ □ □ □	▧	25% to 50%
■ □ □ □	□ □ □ □	▧	0% to 25%
▧ □ □ □	□ □ □ □	▧	Charge the battery.
■ ■ □ □	□ □ □ □	▧	The battery may have malfunctioned.
□ □ □ □	□ □ □ □	▧	

NOTE: Depending on the conditions of use and the ambient temperature, the indication may differ slightly from the actual capacity.

NOTE: The first (far left) indicator lamp will blink when the battery protection system works.

Machine/battery protection system

The machine is equipped with a machine/battery protection system. This system automatically cuts off power to the motor to extend machine and battery life.

The machine will automatically stop during operation if the machine or battery is placed under one of the following conditions:

Overload protection

When the machine or battery is operated in a manner that causes it to draw an abnormally high current, the machine automatically stops and the main power lamp blinks in green. In this situation, turn the machine off and stop the application that caused the machine to become overloaded. Then turn the machine on to restart.

Overheat protection

When the machine is overheated, the machine stops automatically and the main power lamp lights up in red. In this case, let the machine and battery cool before turning the machine on again.

NOTE: The main power lamp blinks in red when the battery is overheated.

Overdischarge protection

When the battery capacity is not enough, the machine stops automatically and the main power lamp blinks in red. In this case, remove the battery from the machine and charge the battery or change the battery to fully charged one.

Protections against other causes

Protection system is also designed for other causes that could damage the machine and allows the machine to stop automatically. Take all the following steps to clear the causes, when the machine has been brought to a temporary halt or stop in operation.

1. Turn the machine off, and then turn it on again to restart.
2. Charge the battery(ies) or replace it/them with recharged battery(ies).
3. Let the machine and battery(ies) cool down.

If no improvement can be found by restoring protection system, then contact your local Makita Service Center.

NOTICE: If the machine stops due to a cause not described above, refer to the section for troubleshooting.

Main power switch

WARNING: Always turn off the main power switch when not in use.

To turn on the machine, press the main power switch. The lamps light up in green. To turn off, press and hold the main power switch until the lamps go off.

► **Fig.19:** 1. Speed indicator 2. Main power switch

The speed can be changed in three levels. To change the speed mode, press the main power switch. When you change the speed mode, the corresponding speed indicators light up.

NOTE: The machine employs the auto power-off function. To avoid unintentional start up, the main power switch will automatically shut down when the machine is not operated for a certain period after the main power switch is turned on.

NOTE: If the main power lamp lights up in red or blinks in red or green, refer to the instructions for machine/battery protection system.

Switch action

⚠ WARNING: Before installing the battery cartridge into the machine, always check to see that the switch trigger actuates properly and returns to the "OFF" position when released.

To start the machine, pull the switch trigger while pulling the activation lever. The speed increases by increasing pressure on the switch trigger. Release the switch trigger to stop.

► **Fig.20:** 1. Switch trigger 2. Activation lever

Opening and closing the levers

The machine is equipped with three levers.

Nozzle lever

The nozzle lever is used for blowing mist. Normally, close the nozzle lever, and open the nozzle lever only when blowing mist.

► **Fig.21:** 1. Closed 2. Open

Draining lever

The draining lever is used for draining the liquid in the tank. When operating the machine, always close the lever.

► **Fig.22:** 1. Closed 2. Open

Tank lever

The tank lever is used when replacing the filter. When operating the machine, always open the lever.

► **Fig.23:** 1. Closed 2. Open

Feed amount adjustment knob

You can adjust the amount of liquid fed to the end nozzle. To feed the maximum amount of liquid, turn the knob so that "4" is aligned with the triangular mark. To feed the minimum amount of liquid, turn the knob so that "1" is aligned with the triangular mark.

► **Fig.24:** 1. Feed amount adjustment knob
2. Triangular mark

Electronic function

The machine is equipped with the electronic function for easy operation.

- Constant speed control
The speed control function provides the constant rotation speed regardless of load conditions.
- Feed valve function
The machine is equipped with the feed valve. The

feed valve automatically opens to feed the liquid in the tank when the switch trigger is pulled, and it automatically closes when the switch trigger is released.

Accidental re-start preventive function

When you turn on the machine while pulling the activation lever and switch trigger, the machine does not start and the main power lamp blinks in green. To start the machine, first release the switch trigger, and then turn on the machine.

OPERATION

⚠ CAUTION: When putting on the machine, be sure to put shoulder harness on your both shoulders. Otherwise, the machine may fall when you put on or use the machine, and cause an injury.

⚠ CAUTION: When putting on the machine, be sure to put on the machine on your back. Otherwise, the machine may fall during operation and cause an injury.

⚠ CAUTION: Do not place the machine on the ground while it is running. Sand or dust may enter from suction inlet and cause a malfunction or personal injury.

Before operating the machine, adjust the length of the shoulder harness and the waist belt.

1. Place the machine on a flat and stable surface.
2. Make sure that the levers are in the following positions.

- The draining lever is in the closed position.

► **Fig.25:** 1. Draining lever

- The tank lever is in the open position.

► **Fig.26:** 1. Tank lever

- The nozzle lever is in the closed position.

► **Fig.27:** 1. Nozzle lever

3. Open the tank cap, and then set the strainer.

► **Fig.28:** 1. Tank cap 2. Strainer

4. Pour the liquid into the tank, and then tighten the tank cap.

► **Fig.29**

5. Put on the machine, then lock the buckle of the waist belt.

6. Turn the nozzle lever so that the nozzle lever is in the open position.

► **Fig.30:** 1. Nozzle lever

7. Turn on the machine, and then hold the control handle firmly and perform the mist blowing operation.

After the operation, turn the nozzle lever so that the nozzle lever is in the closed position.

When setting down the machine, unlock the buckle of the waist belt, and then set down the machine slowly.

► **Fig.31:** 1. Buckle

NOTE: You can stir the liquid in the tank by turning the strainer as shown in the figure.

► **Fig.32:** 1. Strainer

MAINTENANCE

⚠ CAUTION: Always be sure that all the battery cartridges are removed from the machine before storing or carrying the machine or attempting to perform inspection or maintenance.

To maintain product SAFETY and RELIABILITY, repairs, any other maintenance or adjustment should be performed by Makita Authorized or Factory Service Centers, always using Makita replacement parts.

Draining the liquid

When draining the liquid in the tank, remove the hose from the main unit, and then drain the liquid in the tank into the container by opening the draining lever. After draining the liquid, be sure to close the draining lever, and attach the hose to the main unit.

► **Fig.33:** 1. Draining lever 2. Hose

NOTE: To empty the tank completely, tilt the main unit slightly toward the outlet of hose.

Cleaning the machine

NOTICE: Never use gasoline, benzine, thinner, alcohol or the like. Discoloration, deformation or cracks may result.

Clean the machine by wiping off dust with a dry cloth or one dipped in soapy water and wrung out.

Remove dust or dirt from the suction inlet.

► **Fig.34:** 1. Suction inlet

Cleaning the filter

Clean the filter regularly. To clean the filter, follow the steps below.

1. Remove the battery cartridges, and then close the

tank lever.

2. Remove the filter cap by turning it counterclockwise, and then remove the filter.

► **Fig.35:** 1. Filter cap 2. Filter

3. Clean the filter with running water.

4. Attach the filter to the main unit, and then tighten the filter cap.

5. Open the tank lever.

Storage

Before storing the machine, perform full maintenance. Store the machine in a place out of the reach of children and not exposed to moisture, rain, or direct sunlight. You can connect the band of the pipe to the machine as shown in the figure to stand up the pipe.

► **Fig.36:** 1. Band

Changing the nozzle

You can change the standard nozzle to the ULV (Ultra Low Volume) nozzle. The ULV nozzle can discharge finer mist than the standard nozzle. To change the nozzle, follow the steps below.

1. Loosen the screw and remove it, and then remove the front side of the end nozzle.

► **Fig.37:** 1. Screw 2. End nozzle

2. Remove the standard nozzle by turning the nozzle counterclockwise using the wrench.

► **Fig.38:** 1. Wrench 2. Standard nozzle

3. Remove the O-ring from the standard nozzle, and then attach it to the ULV nozzle.

► **Fig.39:** 1. O-ring 2. Standard nozzle 3. ULV nozzle

4. Attach the ULV nozzle by turning the nozzle clockwise using the wrench.

► **Fig.40:** 1. Wrench 2. ULV nozzle

NOTICE: Do not tighten the nozzle too much. The recommended tightening torque is approximately 1.0 N·m. Tightening the nozzle too much may damage the mounting part for nozzle.

5. Attach the end nozzle, and then tighten the screw.

► **Fig.41:** 1. Screw 2. End nozzle

TROUBLESHOOTING

Before asking for repairs, conduct your own inspection first. If you find a problem that is not explained in the manual, do not attempt to dismantle the machine. Instead, ask Makita Authorized Service Centers, always using Makita replacement parts for repairs.

State of abnormality	Probable cause (malfunction)	Remedy
Motor does not run.	Battery is not installed.	Install the battery.
	Battery problem (under voltage)	Recharge the battery. If recharging is not effective, replace battery.
	The drive system does not work correctly.	Ask your local authorized service center for repair.

State of abnormality	Probable cause (malfunction)	Remedy
Motor stops running after a little use.	Battery's charge level is low.	Recharge the battery. If recharging is not effective, replace battery.
	Overheating.	Stop using the machine to allow it to cool down.
Mist is not discharged.	Tank is empty.	Fill the tank with liquid.
	Nozzle lever or tank lever is closed.	Open the nozzle lever and tank lever.
	Nozzle is clogged.	Remove the standard nozzle or ULV nozzle, and then clean the nozzle with running water to remove the clogged material.
	Filter is clogged.	Remove the filter, and then clean the filter with running water to remove the clogged material.
The machine does not reach the maximum speed.	Battery is installed improperly.	Install the battery as described in this manual.
	Battery power is dropping.	Recharge the battery. If recharging is not effective, replace battery.
	The drive system does not work correctly.	Ask your local authorized service center for repair.
Abnormal vibration: ⇒ stop the machine immediately!	The drive system does not work correctly.	Ask your local authorized service center for repair.
Motor cannot stop: ⇒ Remove the battery immediately!	Electric or electronic malfunction.	Remove the battery and ask your local authorized service center for repair.

OPTIONAL ACCESSORIES

⚠ CAUTION: These accessories or attachments are recommended for use with your Makita product specified in this manual. The use of any other accessories or attachments might present a risk of injury to persons. Only use accessory or attachment for its stated purpose.

If you need any assistance for more details regarding these accessories, ask your local Makita Service Center.

- Deflector
- Makita genuine battery and charger

NOTE: Some items in the list may be included in the product package as standard accessories. They may differ from country to country.

SPÉCIFICATIONS

Modèle :		PM001G
Capacités	Volume d'air	7,4 - 14,3 m ³ /min *1
	Vitesse de l'air (moyenne)	28,0 - 53,0 m/s
	Vitesse de l'air (max.)	34,0 - 64,0 m/s
Capacité du réservoir		15 l
Volume total de résidus		50 ml ou moins
Dimensions (L x P x H) (buse d'extrémité incluse)		320 mm x 600 mm x 690 mm
Tension nominale		36 V - 40 V c.c. max.
Poids net	*2	11,9 kg
	*3	12,8 - 15,7 kg
Degré de protection		IPX4

- Étant donné l'évolution constante de notre programme de recherche et de développement, les spécifications contenues dans ce manuel sont sujettes à modification sans préavis.
- Les spécifications peuvent varier suivant les pays.

*1 : Le débit d'air maximum est de 858 m³/h.

*2 : Poids avec le réservoir vide, sans les batteries, avec les tuyaux, la buse et les harnais.

*3 : Le poids combiné le plus léger et le plus lourd selon la procédure EPTA 01/2014. Le poids peut être différent selon la ou les pièces complémentaires, notamment la ou les batteries.

Batterie et chargeur applicables

Batterie	BL4040F / BL4050F / BL4080F
Chargeur	DC40RA / DC40RB / DC40RC / DC40WA

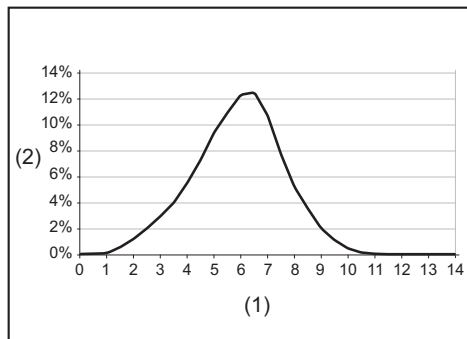
- Certains chargeurs et batteries répertoriés ci-dessus peuvent ne pas être disponibles selon la région où vous résidez.

⚠ AVERTISSEMENT : N'utilisez que les batteries et les chargeurs répertoriés ci-dessus. L'utilisation d'autres batteries et chargeurs peut provoquer des blessures et/ou un incendie.

⚠ AVERTISSEMENT : N'utilisez pas de source d'alimentation câblée comme un support d'alimentation portable avec cette machine.

Spécifications de pulvérisation

Portée horizontale de la pulvérisation



(1) Distance par rapport à la distribution du débit (m)

(2) Pourcentage de substrat déposé au sol

Taille des gouttelettes

Taille des gouttelettes avec la buse standard

Réglage de la molette de réglage	Dv 0.1	Dv 0.5	Dv 0.9
1	22 µm	57 µm	112 µm
2	37 µm	102 µm	251 µm
3	40 µm	111 µm	267 µm
4	42 µm	115 µm	280 µm

Taille des gouttelettes avec la buse ULV

Réglage de la molette de réglage	Dv 0.1	Dv 0.5	Dv 0.9
1 - 4	14 µm	41 µm	85 µm

Débit de pulvérisation pour les positions de travail

► Fig.1

Débit de pulvérisation avec la buse standard

Réglage de la molette de réglage	Angle de la buse		
	-30°	0°	30°
1	0,23 l/min	0,19 l/min	0,12 l/min
2	1,13 l/min	0,71 l/min	0,34 l/min
3	1,37 l/min	0,95 l/min	0,49 l/min
4	1,55 l/min	1,21 l/min	0,51 l/min






Débit de pulvérisation avec la buse ULV

Réglage de la molette de réglage	Angle de la buse		
	-30°	0°	30°
1 - 4	0,05 l/min	0,04 l/min	0,03 l/min

NOTE : Les valeurs de ces spécifications de pulvérisation peuvent être différentes selon les conditions de travail ou la température ambiante.

Symboles

Vous trouverez ci-dessous les symboles susceptibles d'être utilisés pour l'appareil. Veuillez à comprendre leur signification avant toute utilisation.

	Veuillez être prudent et rester attentif.
	Lire le mode d'emploi.
	Porter des lunettes de protection et un serre-tête antibruit.
	Porter une protection respiratoire.
	Ne pas exposer à l'humidité.
	Portez des bottes robustes à semelles antidérapantes. Il est conseillé de porter des chaussures avec embout de sécurité.
	Portez des gants de protection.
	Portez des vêtements de protection.
	Éloignez les badauds pendant la pulvérisation.
	Gardez vos mains à l'écart des pièces en rotation.
	Les cheveux longs risquent de se prendre dans les pièces en mouvement.
	Tenez les personnes à l'écart.
	Poids avec le réservoir vide.



Poids avec le réservoir plein.



Pour les pays de l'Union européenne uniquement
En raison de la présence de composants dangereux dans l'équipement, les déchets d'équipements électriques et électroniques, les accumulateurs et les batteries peuvent avoir un impact négatif sur l'environnement et la santé humaine.

Ne jetez pas les appareils électriques et électroniques ou les batteries avec les ordures ménagères !

Conformément à la directive européenne relative aux déchets d'équipements électriques et électroniques et aux déchets d'accumulateurs et de batteries, ainsi qu'à son adaptation à la législation nationale, les déchets d'équipements électriques, les batteries et les accumulateurs doivent être collectés séparément et déposés dans un point de collecte distinct pour déchets urbains, conformément aux réglementations en matière de protection de l'environnement.

Cela est indiqué par le symbole de la poubelle à roulettes barrée sur l'équipement.



Niveau de puissance sonore garanti selon la directive européenne sur le bruit dans l'environnement.



Niveau de puissance sonore selon la réglementation australienne NSW sur le contrôle du bruit

Utilisations

La machine est conçue pour pulvériser.

Bruit

Niveau de bruit pondéré A typique, déterminé selon ISO22868 :

Niveau de pression sonore (L_{pA}) : 84,5 dB (A)

Niveau de puissance sonore (L_{WA}) : 103,3 dB (A)

Incertitude (K) : 2,3 dB (A)

NOTE : La ou les valeurs d'émission de bruit déclarées ont été mesurées conformément à la méthode de test standard et peuvent être utilisées pour comparer les outils entre eux.

NOTE : La ou les valeurs d'émission de bruit déclarées peuvent aussi être utilisées pour l'évaluation préliminaire de l'exposition.

⚠️ AVERTISSEMENT : Portez un serre-tête antibruit.

⚠️ AVERTISSEMENT : L'émission de bruit lors de l'usage réel de l'outil électrique peut être différente de la ou des valeurs déclarées, suivant la façon dont l'outil est utilisé, particulièrement selon le type de pièce usinée.

⚠️ AVERTISSEMENT : Les mesures de sécurité à prendre pour protéger l'utilisateur doivent être basées sur une estimation de l'exposition dans des conditions réelles d'utilisation (en tenant compte de toutes les composantes du cycle d'utilisation, comme par exemple le moment de sa mise hors tension, lorsqu'il tourne à vide et le moment de son déclenchement).

Vibrations

Valeur totale de vibrations (somme de vecteur triaxial) déterminée selon ISO22867 :

Mode de travail : fonctionnement à vide

Émission de vibrations ($a_{h,r}$) : 2,5 m/s² ou moins

Incertitude (K) : 1,5 m/s²

NOTE : La ou les valeurs de vibration totales déclarées ont été mesurées conformément à la méthode de test standard et peuvent être utilisées pour comparer les outils entre eux.

NOTE : La ou les valeurs de vibration totales déclarées peuvent aussi être utilisées pour l'évaluation préliminaire de l'exposition.

⚠️ AVERTISSEMENT : L'émission de vibrations lors de l'usage réel de l'outil électrique peut être différente de la ou des valeurs déclarées, suivant la façon dont l'outil est utilisé, particulièrement selon le type de pièce usinée.

⚠️ AVERTISSEMENT : Les mesures de sécurité à prendre pour protéger l'utilisateur doivent être basées sur une estimation de l'exposition dans des conditions réelles d'utilisation (en tenant compte de toutes les composantes du cycle d'utilisation, comme par exemple le moment de sa mise hors tension, lorsqu'il tourne à vide et le moment de son déclenchement).

Déclarations de conformité

Pour les pays européens uniquement

Les déclarations de conformité sont fournies en Annexe A à ce mode d'emploi.

CONSIGNES DE SÉCURITÉ

Consignes de sécurité générales pour outils électriques

⚠️ AVERTISSEMENT Veuillez lire toutes les consignes de sécurité, instructions, illustrations et spécifications qui accompagnent cet outil

électrique. Le non-respect de toutes les instructions indiquées ci-dessous peut entraîner une électrocution, un incendie et/ou de graves blessures.

Conservez toutes les mises en garde et instructions pour référence ultérieure.

Le terme « outil électrique » dans les avertissements fait référence à l'outil électrique alimenté par le secteur (avec cordon d'alimentation) ou à l'outil électrique fonctionnant sur batterie (sans cordon d'alimentation).

Consignes de sécurité pour pulvérisateur dorsal sans fil

⚠️ AVERTISSEMENT : Lisez toutes les consignes de sécurité et toutes les instructions. Il y a risque d'électrocution, d'incendie et/ou de graves blessures si les mises en garde et les instructions ne sont pas respectées.

Conservez toutes les mises en garde et instructions pour référence ultérieure.

Instructions générales

1. Pour garantir une utilisation sûre et correcte, l'utilisateur doit lire, comprendre et suivre ce manuel d'instructions pour se familiariser avec la manipulation de la machine. Les utilisateurs mal informés risquent, par des manipulations inappropriées, de se blesser ou de blesser leur entourage.
2. Il est conseillé de ne prêter la machine qu'aux personnes ayant déjà une certaine expérience des pulvérisateurs.
3. Les enfants et les adolescents de moins de 18 ans ne doivent pas être autorisés à utiliser la machine. Les personnes de plus de 16 ans peuvent toutefois utiliser la machine à des fins de formation uniquement sous la supervision directe d'un formateur qualifié.
4. Utilisez uniquement des produits phytopharmaceutiques spécifiquement approuvés par le fabricant pour une utilisation avec des pulvérisateurs et conformes à toutes les réglementations, normes et ordonnances de sécurité applicables.
5. Tout le personnel affecté aux opérations et à l'entretien doit être formé et familiarisé avec les procédures de manipulation appropriées des produits chimiques utilisés, ainsi qu'avec les réglementations relatives à l'élimination des produits chimiques liquides.
6. Pour réduire le risque de blessure lorsque vous utilisez des produits chimiques, portez des vêtements de protection adéquats pour remplir, utiliser et nettoyer le pulvérisateur. Suivez toujours toutes les instructions du fabricant du produit chimique en ce qui concerne la protection des yeux, de la peau et des voies respiratoires.
7. Lors de l'utilisation de produits chimiques toxiques, l'opérateur et toute personne à proximité peuvent avoir besoin de porter un

masque filtrant correctement ajusté pour le produit chimique utilisé. Consultez l'étiquette du produit chimique. L'inhalation de produits chimiques toxiques peut provoquer des blessures graves voire mortelles.

Utilisation prévue de la machine

1. La machine est uniquement destinée à la pulvérisation de produits chimiques liquides et d'autres liquides pour lutter contre les insectes nuisibles et les mauvaises herbes dans les vergers, les potagers et les jardins de fleurs, sur les arbres et les buissons et sur d'autres plantes, comme le café, le tabac et le coton. Elle est également utile pour l'entretien des jeunes arbres afin de contrôler les scolytes et d'autres insectes nuisibles ou maladies des végétaux. Ne l'utilisez jamais à d'autres fins.

Formation

1. Lisez attentivement les instructions. Familiarisez-vous avec les commandes et la bonne utilisation de la machine.
2. Ne laissez en aucun cas les enfants, les personnes aux facultés physiques, sensorielles ou mentales diminuées ou sans expérience ni expertise ou les personnes qui ne sont pas familiarisées avec ces instructions utiliser la machine. Les réglementations locales peuvent limiter l'âge de l'utilisateur.
3. N'utilisez jamais la machine alors que des personnes — et tout particulièrement des enfants — ou des animaux domestiques se trouvent à proximité.
4. Gardez à l'esprit que l'utilisateur est responsable des accidents ou risques encourus par les personnes ou leur propriété.

Préparatifs

1. Portez toujours des chaussures robustes et un pantalon long pendant l'utilisation de la machine.
2. Ne portez pas de vêtements amples ou de bijoux qui peuvent être happés par l'entrée d'air. Maintenez les cheveux longs à l'écart des entrées d'air.
3. Il est recommandé de porter un écran facial pour éviter les irritations dues à la poussière.
4. Pendant l'utilisation de la machine, toujours porter des chaussures antidérapantes et de protection. Porter des bottes ou des chaussures de sécurité fermées et antidérapantes permet de réduire le risque de blessure.
5. Portez toujours des gants en caoutchouc/résistants aux produits chimiques et des bottes en caoutchouc/résistantes aux produits chimiques lorsque vous travaillez avec la machine.

Manipulation des produits chimiques

1. Certains produits chimiques peuvent contenir des substances toxiques et/ou caustiques. Ces produits chimiques peuvent être dangereux et provoquer des blessures graves voire mortelles chez les personnes et les animaux et/ou des dommages graves pour les plantes et l'environnement. Évitez tout contact direct avec des produits chimiques. Suivez les instructions du fabricant du produit chimique en ce qui concerne tout contact avec son produit.

2. Lisez l'étiquette et le manuel d'instructions du fabricant chaque fois que vous mélangez ou utilisez le produit chimique et avant de le stocker ou de le mettre au rebut. L'utilisation négligente ou inadéquate peut être à l'origine de blessures graves voire mortelles.
3. Lisez attentivement les étiquettes sur les récipients des produits chimiques avant de les utiliser. Les produits chimiques sont classés par catégories de toxicité. Chaque catégorie aura des caractéristiques de manipulation propres. Familiarisez-vous avec les caractéristiques pour la catégorie du produit chimique que vous utilisez. Les produits chimiques ne peuvent être utilisés que par des personnes formées à leur manipulation et aux gestes de premiers secours appropriés.
4. Les produits chimiques peuvent être nocifs pour les personnes, les animaux et l'environnement s'ils sont utilisés de manière incorrecte. Il est déconseillé d'utiliser des produits chimiques caustiques, corrosifs ou toxiques avec la machine.
5. Mélangez uniquement des pesticides compatibles. De mauvais mélanges peuvent produire des émanations toxiques. Lors de la manipulation et de la pulvérisation de produits chimiques, assurez-vous de respecter les règles et directives locales en matière de protection de l'environnement. N'effectuez pas de pulvérisation par temps venteux. Pour protéger l'environnement, utilisez uniquement la dose recommandée.
6. Évitez d'ouvrir la bouche, pour manger, boire ou fumer par exemple, lorsque vous manipulez des produits chimiques ou que vous pulvérisez. Ne soufflez jamais dans les buses, les tubes, les tuyaux ou tout autre composant par la bouche. Manipulez toujours les produits chimiques dans un endroit bien aéré en portant des vêtements de protection et des équipements de sécurité appropriés.
7. Ne stockez ni ne transportez de produits chimiques avec des aliments, des boissons ou des médicaments, et ne réutilisez jamais un récipient de produits chimiques à d'autres fins. Ne transférez pas les produits chimiques liquides dans d'autres récipients, en particulier des récipients pour aliments et/ou boissons.
8. Conservez l'étiquette du produit à portée de main pour pouvoir la lire et la montrer aux personnes que vous consultez. Nettoyez immédiatement tout déversement de produits chimiques. En cas de contact accidentel ou d'ingestion de produits chimiques, ou en cas de contamination des vêtements, cessez de travailler et consultez immédiatement les instructions du fabricant du produit chimique. En cas de doute sur la marche à suivre, demandez immédiatement conseil à un médecin ou à un centre antipoison.
9. Éliminez tout résidu en respectant les lois et réglementations de votre région de résidence.
10. Gardez les produits chimiques hors de portée des enfants, d'autres personnes non autorisées et des animaux. Lorsque vous ne les utilisez pas, stockez les produits chimiques dans un endroit sûr et verrouillé. Suivez les

recommandations du fabricant pour un stockage correct.

Préparation des produits chimiques

1. Préparez les solutions chimiques conformément aux instructions du fabricant du produit chimique.
2. Préparez juste assez de solution pour le travail prévu afin qu'il ne reste aucune solution.
3. Mélangez les produits chimiques uniquement en suivant les instructions. De mauvais mélanges peuvent produire des émanations toxiques ou des mélanges explosifs.
4. Ne pulvérisez jamais de produits chimiques non dilués.
5. Préparez la solution et remplissez le récipient à l'extérieur uniquement dans un endroit bien aéré.

Stockage des produits chimiques

1. Ne stockez pas la solution à pulvériser dans le récipient pendant plus d'une journée.
2. Stockez et transportez toujours la solution à pulvériser uniquement dans des récipients approuvés.
3. Ne stockez ni ne transportez jamais la solution à pulvériser dans des récipients destinés à des aliments, des boissons ou de la nourriture pour animaux.
4. Ne stockez ni ne transportez la solution à pulvériser avec des aliments, des boissons ou de la nourriture pour animaux.
5. Gardez la solution à pulvériser hors de portée des enfants, d'autres personnes non autorisées et des animaux.
6. Stockez la solution à pulvériser dans un endroit fermé à clé et protégé contre toute utilisation non autorisée.

Mise au rebut des produits chimiques

1. Ne jetez jamais de résidus de produits chimiques ou de solutions de rinçage contaminées dans les cours d'eau, les canalisations d'égout, les égouts, les gouttières, les trous d'homme ou autres.
2. Lors de l'élimination de l'eau de rinçage contaminée, respectez toutes les lois, réglementations et ordonnances applicables.
3. Respectez scrupuleusement les instructions de précaution du fabricant du produit chimique.

Remplissage du réservoir

1. Assurez-vous que le levier de vidange et le levier de la buse sont fermés.
2. Avant d'utiliser le pulvérisateur avec des produits chimiques, remplissez le réservoir d'eau douce pour vous assurer que vous l'avez correctement assemblé et entraînez-vous à la pulvérisation. Vérifiez également l'absence de fuites à ce stade. Lorsque vous êtes parfaitement familiarisé avec le fonctionnement du pulvérisateur, suivez les procédures de fonctionnement normales.
3. Remplissez le réservoir dans des endroits bien aérés ou à l'extérieur.
4. N'utilisez pas de produits inflammables dans le pulvérisateur sous peine de provoquer une

explosion entraînant des blessures graves voire mortelles.

5. N'utilisez pas de produits caustiques ou corrosifs dans le pulvérisateur sous peine d'endommager la machine.
6. N'utilisez pas de liquide dont la température dépasse 50 °C (122 °F) pour réduire le risque de brûlure et de dommages à la machine.
7. Pour remplir le réservoir, placez le pulvérisateur sur une surface plane. Pour réduire le risque de contamination de l'environnement, veillez à ne pas remplir à ras bord le réservoir de solution chimique.
8. Pour réduire le risque de blessures, ne remplissez pas le réservoir pendant que vous portez la machine sur votre dos.
9. Si vous remplissez le récipient de la solution avec un tuyau fixé à une source d'eau centrale, assurez-vous que l'extrémité du tuyau est hors de la solution afin de réduire le risque de reflux.
10. Calculez la quantité correcte de solution chimique pour qu'elle soit utilisée en une fois, sans excès de solution restant dans le réservoir.
11. Après le remplissage, serrez fermement le bouchon du réservoir.
12. Vérifiez l'absence de fuite lors du remplissage et pendant le fonctionnement. Une fuite au niveau du réservoir ou d'un raccord desserré pourrait traverser vos vêtements et entrer en contact avec votre peau.
13. Remplissez de liquide le réservoir en fonction de la corpulence ou de la force de l'opérateur.

Fonctionnement

1. Éteignez la machine, retirez les batteries et assurez-vous que toutes les pièces mobiles sont parfaitement arrêtées
 - chaque fois que vous laissez la machine sans surveillance ;
 - avant de débloquer l'outil ;
 - avant d'effectuer la vérification, le nettoyage ou l'entretien de la machine ;
 - si la machine se met à vibrer de façon anormale.
2. N'utilisez la machine qu'à la lumière du jour ou sous un bon éclairage artificiel.
3. Ne vous penchez pas trop loin et maintenez constamment une bonne assise et un bon équilibre.
4. Assurez-vous toujours d'être en position stable dans les pentes.
5. Ne courez jamais ; marchez.
6. Assurez-vous que toutes les entrées d'air de refroidissement ne sont pas obstruées par des débris.
7. Ne pulvérisez jamais en direction des personnes.
8. Utilisez la machine dans la position recommandée et sur une surface ferme.
9. N'utilisez pas la machine en hauteur.
10. Ne pointez jamais la buse en direction d'une personne à proximité lorsque vous utilisez la machine.

11. **Ne bloquez jamais l'entrée d'aspiration et/ou la sortie du pulvérisateur.**
 - Prenez garde de ne pas bloquer l'entrée d'aspiration ou la sortie du pulvérisateur avec de la poussière ou de la saleté lorsque vous travaillez dans une zone poussiéreuse.
 - N'utilisez pas de buses autres que celles fournies par Makita.
 12. **N'utilisez pas la machine près de fenêtres ouvertes, etc.**
 13. **Il est recommandé d'utiliser la machine uniquement à des heures raisonnables : pas tôt le matin ni tard le soir lorsque vous risquez de déranger les gens.**
 14. **Si la machine heurte un corps étranger ou démarre en faisant un bruit anormal ou en vibrant, éteignez-la immédiatement pour l'arrêter. Retirez les batteries de la machine et vérifiez l'absence de dommages avant de redémarrer et d'utiliser la machine. Si la machine est endommagée, demandez à votre centre de service après-vente Makita agréé de la réparer.**
 15. **N'insérez pas les doigts ou d'autres objets dans l'entrée d'aspiration ou la sortie du pulvérisateur.**
 16. **Évitez les démarrages intempestifs. Assurez-vous que l'interrupteur est en position d'arrêt avant d'insérer les batteries, de ramasser ou de transporter la machine. Transporter la machine en ayant le doigt sur l'interrupteur ou l'allumer alors que l'interrupteur est en position de marche est source d'accidents.**
 17. **N'utilisez pas la machine à proximité de matériaux inflammables.**
 18. **Évitez d'utiliser la machine pendant une période prolongée dans un environnement à basse température.**
 19. **N'utilisez pas la machine en cas d'orage.**
 20. **Lorsque vous utilisez la machine sur un sol boueux, une pente trempée ou un endroit glissant, faites attention de ne pas perdre l'équilibre.**
 21. **N'utilisez pas la machine par mauvais temps avec une visibilité réduite. Le non-respect de cette précaution pourrait entraîner votre chute ou un fonctionnement incorrect en raison de la faible visibilité.**
 22. **Ne plongez pas la machine dans une flaque.**
 23. **Ne laissez pas la machine sans surveillance à l'extérieur sous la pluie.**
 24. **N'utilisez pas la machine dans la neige.**
 25. **Pendant le fonctionnement, éloignez le cordon des obstacles. Si le cordon est coincé par des obstacles, il peut provoquer de graves blessures.**
 26. **Évitez de travailler à des températures glaciales, car le liquide dans le réservoir peut geler.**
2. **Videz, rincez et nettoyez le réservoir et la crépine après chaque utilisation. Cela permet d'éviter que la solution ne se cristallise, ce qui pourrait entraîner un colmatage et des dommages chimiques à la machine. En outre, les résidus de produits chimiques peuvent avoir des effets indésirables lors des pulvérisations ultérieures avec un autre type de produit chimique (p. ex., des résidus d'herbicide peuvent endommager ou tuer les plantes pulvérisées avec un pesticide).**
 3. **Ne stockez pas la machine avec une solution à pulvériser dans le réservoir.**

Entretien et rangement

1. **Gardez tous les écrous, boulons et vis bien serrés pour assurer le fonctionnement sûr de la machine.**
2. **Si les pièces sont usées ou endommagées, remplacez-les par des pièces fournies par Makita.**
3. **Rangez la machine dans un endroit sec hors de la portée des enfants.**
4. **Lorsque vous arrêtez la machine pour inspection, entretien, rangement ou changement d'accessoire, éteignez-la et assurez-vous que toutes les pièces mobiles sont parfaitement arrêtées, et retirez les batteries. Laissez refroidir la machine avant toute intervention. Entretenez la machine avec soin et gardez-la propre.**
5. **Laissez toujours refroidir la machine avant de la ranger.**
6. **N'exposez pas la machine à la pluie. Rangez la machine à l'intérieur.**
7. **Lorsque vous soulevez la machine, assurez-vous de plier les genoux et prenez soin de ne pas vous blesser le dos.**
8. **Lorsque vous lavez la machine, ne laissez pas l'eau pénétrer dans le mécanisme électrique comme la batterie, le moteur et les bornes.**
9. **Lorsque vous rangez la machine, évitez les endroits exposés aux rayons directs du soleil ou à la pluie, et rangez-la dans un endroit tempéré et sec.**
10. **Lorsque vous transportez la machine, veillez à la tenir fermement.**
11. **Lorsque vous transportez la machine, prenez garde de ne pas coincer le cordon dans des obstacles.**

Utilisation et entretien des outils fonctionnant sur batterie

1. **Rechargez la batterie uniquement avec le chargeur spécifié par le fabricant. Un chargeur qui est adapté à un type spécifique de batterie peut présenter un risque d'incendie s'il est utilisé avec un autre type de batterie.**
2. **Utilisez un outil électrique uniquement avec la batterie spécifiquement indiquée. L'utilisation de toute autre batterie peut présenter un risque de blessure et d'incendie.**
3. **Lorsque vous n'utilisez pas la batterie, tenez-la à l'écart des objets métalliques, comme des trombones, pièces de monnaie, clés, clous, vis ou autres petits objets métalliques, susceptibles de créer une connexion entre deux bornes. Court-circuiter les bornes d'une batterie entre elles peut provoquer des brûlures ou un incendie.**

Après le fonctionnement

1. **Lavez-vous toujours minutieusement au savon et à l'eau après avoir pulvérisé et manipulé des produits chimiques. Douchez-vous immédiatement et lavez l'ensemble de vos vêtements de protection séparément d'autres articles. Suivez toute recommandation supplémentaire du fabricant du produit chimique.**

4. Dans des conditions d'utilisation inadéquate, il peut y avoir une fuite de l'électrolyte de la batterie. Le cas échéant, évitez tout contact avec ce liquide. En cas de contact accidentel, rincez à l'eau. Si le liquide pénètre dans les yeux, consultez par ailleurs un médecin. Le liquide s'échappant de la batterie peut provoquer une irritation ou des brûlures.
5. N'utilisez pas une batterie ou un outil s'ils sont endommagés ou modifiés. Une batterie endommagée ou modifiée peut avoir un comportement imprévisible susceptible d'entraîner un incendie, une explosion ou des blessures.
6. N'exposez pas la batterie ou l'outil au feu ou à une température excessive. L'exposition au feu ou à une température supérieure à 130 °C peut provoquer une explosion.
7. Respectez toutes les instructions de charge et ne chargez pas la batterie ou l'outil en dehors de la plage de température indiquée dans les instructions. Une charge incorrecte ou à une température en dehors de la plage indiquée peut endommager la batterie et augmenter le risque d'incendie.

Sécurité électrique et sécurité des batteries

1. Ne jetez pas la ou les batteries au feu. L'élément de la pile pourrait exploser. Consultez les codes locaux pour de possibles instructions de mise au rebut spéciales.
2. N'ouvrez ni ne manipulez la ou les batteries. L'électrolyte qui s'échappe de la batterie est corrosif et peut irriter la peau ou les yeux. Il peut être toxique en cas d'ingestion.
3. Ne chargez pas la batterie sous la pluie ou dans un endroit mouillé.
4. Ne pas charger la batterie à l'extérieur.
5. Ne manipulez pas le chargeur, y compris la fiche du chargeur et les bornes du chargeur avec les mains mouillées.
6. Ne remplacez pas la batterie avec les mains mouillées.
7. Ne remplacez pas la batterie sous la pluie.
8. Ne mouillez pas la borne de la batterie avec un liquide comme de l'eau, ni ne plongez la batterie dans un liquide. Ne laissez pas la batterie sous la pluie et évitez de charger, utiliser ou ranger la batterie dans un endroit humide ou mouillé. Si la borne est mouillée ou si un liquide pénètre à l'intérieur de la batterie, un court-circuit est possible et risque de provoquer une surchauffe, un incendie ou une explosion.
9. Après avoir retiré la batterie de la machine ou du chargeur, veillez à la ranger dans un endroit sec.
10. Si la batterie est mouillée, videz l'eau à l'intérieur, puis essuyez-la avec un chiffon sec. Séchez complètement la batterie dans un endroit sec avant utilisation.

Dépannage

1. Confiez la réparation de votre outil électrique à un réparateur qualifié qui utilise des pièces de rechange identiques. La sécurité de l'outil électrique sera ainsi préservée.
2. Ne dépannez jamais les batteries endommagées. Le dépannage des batteries doit être effectué uniquement par le fabricant ou un dépanneur agréé.

CONSERVEZ CES INSTRUCTIONS.

⚠ AVERTISSEMENT : NE vous laissez PAS tromper (au fil d'une utilisation répétée) par un sentiment d'aisance et de familiarité avec le produit, en négligeant le respect rigoureux des consignes de sécurité qui accompagnent le produit en question.

La MAUVAISE UTILISATION de l'outil ou l'ignorance des consignes de sécurité indiquées dans ce mode d'emploi peut entraîner de graves blessures.

Consignes de sécurité importantes pour la batterie

1. Avant d'utiliser la batterie, lisez toutes les instructions et précautions relatives (1) au chargeur de batterie, (2) à la batterie, et (3) au produit utilisant la batterie.
2. Ne désassemblez pas et ne modifiez pas la batterie. Cela pourrait entraîner un incendie, une chaleur excessive ou une explosion.
3. Cessez immédiatement l'utilisation si le temps de fonctionnement devient excessivement court. Il y a risque de surchauffe, de brûlures, voire d'explosion.
4. Si l'électrolyte pénètre dans vos yeux, rincez-les à l'eau claire et consultez immédiatement un médecin. Il y a risque de perte de la vue.
5. Ne court-circuitez pas la batterie :
 - (1) Ne touchez les bornes avec aucun matériau conducteur.
 - (2) Évitez de ranger la batterie dans un conteneur avec d'autres objets métalliques, par exemple des clous, des pièces de monnaie, etc.
 - (3) N'exposez pas la batterie à l'eau ou à la pluie.
 Un court-circuit de la batterie peut provoquer une intensité de courant élevée, une surchauffe, parfois des brûlures et même une panne.
6. Ne rangez ni n'utilisez l'outil et la batterie dans un endroit où la température risque d'atteindre ou de dépasser 50 °C.
7. Ne jetez pas la batterie au feu même si elle est sérieusement endommagée ou complètement épuisée. La batterie peut exploser au contact du feu.
8. Abstenez-vous de clouer, couper, écraser, jeter, laisser tomber la batterie, ou de la heurter contre un objet dur. Cela pourrait entraîner un incendie, une chaleur excessive ou une explosion.
9. N'utilisez pas la batterie si elle est endommagée.
10. Les batteries au lithium-ion contenues sont soumises aux exigences de la législation sur les marchandises dangereuses.

Lors du transport commercial par des tiers parties ou des transitaires par exemple, des exigences spécifiques en matière d'étiquetage et d'emballage doivent être respectées.

Pour la préparation de l'article expédié, il est nécessaire de consulter un expert en matériau

dangereux. Veuillez également respecter les réglementations nationales susceptibles d'être plus détaillées.

Recouvrez les contacts exposés avec du ruban adhésif ou du ruban de masquage et emballez la batterie de telle sorte qu'elle ne puisse pas bouger dans l'emballage.

11. **Lors de la mise au rebut de la batterie, retirez-la de l'outil et jetez-la en lieu sûr. Suivez les réglementations locales en matière de mise au rebut des batteries.**
12. **Utilisez les batteries uniquement avec les produits spécifiés par Makita.** L'insertion de batteries dans des produits non conformes peut provoquer un incendie, une chaleur excessive, une explosion ou une fuite de l'électrolyte.
13. **Lorsque vous n'utilisez pas l'outil pendant une période prolongée, la batterie doit être retirée de l'outil.**
14. **Pendant et après l'utilisation, la batterie peut chauffer, ce qui peut entraîner des brûlures, y compris en cas de température relativement basse. Manipulez les batteries chaudes avec précaution.**
15. **Ne touchez pas la borne de l'outil immédiatement après utilisation car elle peut être assez chaude pour provoquer des brûlures.**
16. **Évitez que des copeaux, de la poussière ou du sol adhèrent aux bornes, aux trous et aux rainures de la batterie.** Cela peut provoquer un échauffement, un incendie, une explosion ou un dysfonctionnement de l'outil ou de la batterie, ce qui peut entraîner des brûlures ou des blessures.
17. **À moins que l'outil prenne en charge un tel usage, n'utilisez pas la batterie à proximité de lignes électriques haute tension.** Cela pourrait entraîner un dysfonctionnement ou casser l'outil ou la batterie.
18. **Conservez la batterie hors de portée des enfants.**

CONSERVEZ CES INSTRUCTIONS.

⚠ATTENTION : N'utilisez que des batteries Makita d'origine. L'utilisation de batteries de marque autre que Makita ou de batteries modifiées peut provoquer l'explosion des batteries, ce qui présente un risque d'incendie, de dommages matériels et corporels. Cela annulera également la garantie Makita pour l'outil et le chargeur Makita.

Conseils pour assurer la durée de vie optimale de la batterie

1. **Chargez la batterie avant qu'elle ne soit complètement déchargée. Arrêtez toujours l'outil et rechargez la batterie quand vous remarquez que la puissance de l'outil diminue.**
2. **Ne rechargez jamais une batterie complètement chargée. La surcharge réduit la durée de service de la batterie.**
3. **Chargez la batterie à une température ambiante comprise entre 10 °C et 40 °C. Avant de charger une batterie chaude, laissez-la refroidir.**
4. **Lorsque vous n'utilisez pas la batterie, retirez-la de l'outil ou du chargeur.**

5. **Rechargez la batterie si elle est restée inutilisée pendant une période prolongée (plus de six mois).**

ASSEMBLAGE

⚠ATTENTION : Assurez-vous toujours que toutes les batteries sont retirées avant toute intervention sur la machine. En ne retirant pas toutes les batteries, vous risqueriez de vous blesser grièvement en cas de démarrage accidentel.

Assemblage des tubes du souffleur

1. Desserrez la vis de serrage.
► **Fig.2:** 1. Vis de serrage
2. Installez la manette de commande sur le tube articulé et serrez la vis de serrage. Veillez à ne pas placer la manette de commande vers l'avant au-delà des flèches.
► **Fig.3:** 1. Manette de commande 2. Tube articulé 3. Vis de serrage 4. Flèches

REMARQUE : Prenez soin de ne pas tordre le câble de la manette de commande lorsque vous la fixez sur le tube articulé.

3. Desserrez la vis sur le collier de serrage, puis fixez le collier de serrage sur la buse d'extrémité. Alignez les rainures sur la buse d'extrémité avec les parties saillantes sur le tube articulé, puis fixez la buse d'extrémité sur le tube articulé, et enfin serrez la vis sur le collier de serrage.
► **Fig.4:** 1. Buse d'extrémité 2. Collier de serrage 3. Tube articulé 4. Rainure 5. Partie saillante 6. Vis
4. Desserrez la vis sur le collier de serrage, puis fixez le levier de la buse sur le collier de serrage, et enfin fixez le collier de serrage sur le tuyau flexible. Fixez le tube articulé sur le tuyau flexible, puis serrez la vis sur le collier de serrage.
► **Fig.5:** 1. Tube articulé 2. Levier de la buse 3. Collier de serrage 4. Tuyau flexible 5. Vis
5. Desserrez la vis sur le collier de serrage, puis fixez le collier de serrage sur le tuyau flexible. Fixez le tuyau flexible sur le coude, puis serrez la vis sur le collier de serrage.
► **Fig.6:** 1. Tuyau flexible 2. Collier de serrage 3. Coude

REMARQUE : Assurez-vous que la vis sur le collier de serrage n'est pas orientée vers l'extérieur comme illustré sur la figure.
► **Fig.7:** 1. Vis

6. Attachez le câble de commande au porte-câbles.
► **Fig.8:** 1. Porte-câbles 2. Câble de commande

REMARQUE : Assurez-vous que le câble de commande est solidement fixé sur le porte-câbles.

Réglage de la sangle et de la bandoulière

1. Enfilez la machine, fermez la boucle de la ceinture ventrale, puis ajustez la longueur de la ceinture ventrale.

► Fig.9: 1. Boucle

2. Ajustez la longueur de la bandoulière.

► Fig.10: 1. Bandoulière

Réglage de la position du levier de commande

Desserrez la vis de serrage. Déplacez la manette de commande le long du tube articulé sur la position la plus confortable, puis serrez la vis de serrage.

Ne déplacez pas la manette au-delà des flèches.

► Fig.11: 1. Manette de commande 2. Tube articulé
3. Vis de serrage 4. Flèches

Fixation du couvercle de diffusion

Vous pouvez diffuser la pulvérisation en fixant le couvercle de diffusion sur la buse d'extrémité comme illustré sur la figure.

► Fig.12: 1. Couvercle de diffusion

Fixation du déflecteur

Accessoire en option

Vous pouvez pulvériser vers le haut ou le bas en fixant le déflecteur sur la buse d'extrémité comme illustré sur la figure.

► Fig.13: 1. Déflecteur

DESCRIPTION DU FONCTIONNEMENT

ATTENTION : Assurez-vous toujours que la machine est hors tension et que ses batteries sont retirées avant de l'ajuster ou de vérifier son fonctionnement.

Insertion ou retrait de la batterie

ATTENTION : Éteignez toujours la machine avant de mettre en place ou de retirer la batterie.

ATTENTION : Tenez fermement la machine et la batterie lors de la mise en place ou du retrait de la batterie. Si vous ne tenez pas fermement la machine et la batterie, elles peuvent vous glisser des mains, et s'abîmer ou vous blesser.

ATTENTION : Veillez à verrouiller le couvercle de batterie avant toute utilisation. Autrement, la boue, les saletés ou l'eau risquent d'endommager le produit ou la batterie.

ATTENTION : Insérez toujours la batterie à fond, jusqu'à ce que le voyant rouge ne soit plus visible. Sinon, elle risque de tomber accidentellement de la machine, ce qui peut blesser l'utilisateur ou une autre personne.

ATTENTION : Ne forcez pas pour insérer la batterie. Si elle ne glisse pas facilement, c'est que vous ne l'insérez pas correctement.

ATTENTION : Tenez fermement le couvercle de batterie lors de la mise en place ou du retrait de la batterie.

Pour mettre la batterie en place ;

1. Tirez le levier de verrouillage vers le haut, puis ouvrez le couvercle de batterie.

► Fig.14: 1. Levier de verrouillage 2. Couvercle de batterie

2. Alignez la languette de la batterie sur la fente de la machine, puis faites glisser la batterie jusqu'à ce qu'elle se verrouille en place (vous devez entendre un léger déclic).

► Fig.15: 1. Batterie

3. Fermez le couvercle de batterie et appuyez dessus jusqu'à ce qu'il soit verrouillé par le levier de verrouillage.

Pour retirer la batterie :

1. Tirez le levier de verrouillage vers le haut et ouvrez le couvercle de batterie.

2. Retirez la batterie de la machine en faisant glisser le bouton à l'avant de la batterie.


► Fig.16: 1. Batterie

3. Fermez le couvercle de batterie.

Bouton de vérification de la batterie

Vous pouvez vérifier la charge restante de la batterie en appuyant sur le bouton de vérification de la batterie.

► Fig.17: 1. Témoin de la batterie 2. Bouton de vérification de la batterie

Statut du témoin de la batterie			Charge restante de la batterie
Allumé	Éteint	Clignotant	
			50 % à 100 %

Statut du témoin de la batterie			Charge restante de la batterie
Allumé	Éteint	Clignotant	
			20 % à 50 %
			0 % à 20 %

NOTE : Le voyant lumineux indiquant la charge restante de la batterie est à titre indicatif uniquement. La charge réelle de la batterie peut être différente selon les conditions d'utilisation ou la température ambiante.

NOTE : Pendant le fonctionnement de la machine, le voyant lumineux ne s'allume pas même si vous appuyez sur le bouton de vérification.

NOTE : Le voyant lumineux s'éteint automatiquement au bout de quelques secondes.

NOTE : Si deux batteries sont installées, celle installée à droite est utilisée en premier.

NOTE : Si deux batteries sont installées, la machine change automatiquement de batterie lorsque celle qui est utilisée est épuisée.

Indication de la charge restante de la batterie

Appuyez sur le bouton de vérification sur la batterie pour indiquer la charge restante de la batterie. Les témoins s'allument pendant quelques secondes.

► **Fig.18:** 1. Témoins 2. Bouton de vérification

Témoins			Charge restante
Allumé	Éteint	Clignotant	
			75 % à 100 %
			50 % à 75 %
			25 % à 50 %
			0 % à 25 %
			Chargez la batterie.
			Anomalie possible de la batterie.

NOTE : Selon les conditions d'utilisation et la température ambiante, l'indication peut être légèrement différente de la capacité réelle.

NOTE : Le premier témoin (complètement à gauche) clignotera pendant le fonctionnement du système de protection de la batterie.

Système de protection de la machine/batterie

La machine est dotée d'un système de protection de la machine/batterie. Ce système met automatiquement hors tension le moteur pour accroître l'autonomie de la machine et de la batterie. Si la machine ou la batterie se trouve dans l'une des situations suivantes, la machine cessera automatiquement de fonctionner :

Protection contre la surcharge

Lorsque le mode d'utilisation de la machine ou de la batterie entraîne un appel de courant anormalement élevé, la machine s'arrête automatiquement et le témoin d'alimentation principale clignote en vert. Dans ce cas, éteignez la machine et arrêtez la tâche ayant provoqué sa surcharge. Puis rallumez la machine pour reprendre la tâche.

Protection contre la surchauffe

En cas de surchauffe de la machine, la machine s'arrête automatiquement et le témoin d'alimentation principale s'allume en rouge. Dans ce cas, laissez la machine et la batterie refroidir avant de rallumer la machine.

NOTE : Le témoin d'alimentation principale clignote en rouge lorsque la batterie surchauffe.

Protection contre la décharge totale de la batterie

Si la charge de la batterie est insuffisante, la machine s'arrête automatiquement et le témoin d'alimentation principale clignote en rouge. Dans ce cas, retirez la batterie de la machine et chargez-la, ou bien remplacez la batterie par une batterie complètement chargée.

Protections contre d'autres causes

Le système de protection est également conçu pour d'autres causes qui pourraient endommager la machine et lui permet de s'arrêter automatiquement. Suivez toutes les étapes ci-dessous pour éliminer les causes, lorsque la machine a été arrêtée provisoirement ou a cessé de fonctionner.

1. Éteignez la machine, puis rallumez-la pour la redémarrer.
2. Chargez la ou les batteries ou remplacez-les par des batteries rechargées.
3. Laissez la machine et la ou les batteries refroidir.

En l'absence d'amélioration après avoir rétabli le système de protection, contactez votre centre de service Makita local.

REMARQUE : Si la machine s'arrête en raison d'une cause non décrite ci-dessus, reportez-vous à la section de dépannage.

Interrupteur principal

AVERTISSEMENT : Mettez toujours l'interrupteur principal en position d'arrêt lorsque vous n'utilisez pas l'outil.

Pour allumer la machine, appuyez sur l'interrupteur principal. Les témoins s'allument en vert. Pour l'éteindre, maintenez enfoncé l'interrupteur principal jusqu'à ce que les témoins s'éteignent.

► **Fig.19:** 1. Indicateur de vitesse 2. Interrupteur principal

La vitesse peut être modifiée selon trois niveaux. Pour changer de mode de vitesse, appuyez sur l'interrupteur principal. Lorsque vous changez de mode de vitesse, les indicateurs de vitesse correspondant s'allument.

NOTE : La machine dispose d'une fonction de mise hors tension automatique. Pour éviter tout démarrage intempestif, l'interrupteur principal effectue automatiquement une mise hors tension lorsque la machine n'est pas utilisée pendant un certain temps après actionnement de l'interrupteur principal.

NOTE : Si le témoin d'alimentation principale s'allume en rouge ou clignote en rouge ou en vert, consultez les instructions du système de protection de la machine/batterie.

Fonctionnement de la gâchette

⚠ AVERTISSEMENT : Avant d'insérer la batterie dans la machine, vérifiez toujours que la gâchette fonctionne bien et revient en position d'arrêt lorsqu'elle est relâchée.

Pour démarrer la machine, enclenchez la gâchette tout en tirant sur le levier d'activation. La vitesse augmente à mesure que vous augmentez la pression sur la gâchette. Pour l'arrêter, relâchez la gâchette.

► **Fig.20:** 1. Gâchette 2. Levier d'activation

Ouverture et fermeture des leviers

La machine est équipée de trois leviers.

Levier de la buse

Le levier de la buse sert à pulvériser. Normalement, fermez le levier de la buse et n'ouvrez-le que lorsque vous pulvériserez.

► **Fig.21:** 1. Fermé 2. Ouvert

Levier de vidange

Le levier de vidange sert à vidanger le liquide dans le réservoir. Lorsque vous utilisez la machine, fermez toujours ce levier.

► **Fig.22:** 1. Fermé 2. Ouvert

Levier du réservoir

Le levier du réservoir est utilisé lors du remplacement du filtre. Lorsque vous utilisez la machine, ouvrez toujours ce levier.

► **Fig.23:** 1. Fermé 2. Ouvert

Molette de réglage de la quantité de liquide distribuée

Vous pouvez régler la quantité de liquide distribuée vers la buse d'extrémité. Pour distribuer la quantité maximale de liquide, tournez le bouton de sorte que « 4

» soit aligné sur le repère triangulaire. Pour distribuer la quantité minimale de liquide, tournez le bouton de sorte que « 1 » soit aligné sur le repère triangulaire.

► **Fig.24:** 1. Molette de réglage de la quantité de liquide distribuée 2. Repère triangulaire

Fonction électronique

La machine est munie d'une fonction électronique pour faciliter l'utilisation.

- Contrôle de vitesse constante
La fonction de contrôle de la vitesse offre une vitesse de rotation constante quelles que soient les conditions de charge.
- Fonction de la vanne de distribution
La machine est équipée d'une vanne de distribution. La vanne de distribution s'ouvre automatiquement pour distribuer le liquide dans le réservoir lorsque la gâchette est enclenchée, et elle se ferme automatiquement lorsque la gâchette est relâchée.

Fonction de prévention de redémarrage accidentel

Lorsque vous allumez la machine tout en enclenchant le levier d'activation et la gâchette, elle ne démarre pas et le témoin d'alimentation principale clignote en vert. Pour démarrer la machine, commencez par relâcher la gâchette puis allumez la machine.

UTILISATION

⚠ ATTENTION : Lorsque vous enflez la machine, veillez à placer la bandoulière sur vos deux épaules. Autrement, la machine peut tomber lorsque vous l'enfilez ou l'utilisez, et provoquer des blessures.

⚠ ATTENTION : Lorsque vous enflez la machine, veillez à la placer sur votre dos. Autrement, la machine pourrait tomber pendant l'utilisation et provoquer des blessures.

⚠ ATTENTION : Ne posez pas la machine au sol pendant qu'elle fonctionne. Du sable ou de la poussière pourrait pénétrer par l'entrée d'aspiration et entraîner un dysfonctionnement ou des blessures.

Avant d'utiliser la machine, ajustez la longueur de la bandoulière et de la ceinture ventrale.

1. Posez la machine sur une surface plane et stable.
2. Assurez-vous que les leviers sont dans les positions suivantes.
 - Le levier de vidange est en position fermée.► **Fig.25:** 1. Levier de vidange
- Le levier du réservoir est en position ouverte.
► **Fig.26:** 1. Levier du réservoir
- Le levier de la buse est en position fermée.
► **Fig.27:** 1. Levier de la buse
3. Ouvrez le bouchon du réservoir, puis placez la crépine.

► Fig.28: 1. Bouchon du réservoir 2. Crépine

4. Versez le liquide dans le réservoir, puis serrez le bouchon du réservoir.

► Fig.29

5. Enfilez la machine, puis fermez la ceinture ventrale avec la boucle.

6. Tournez le levier de la buse de sorte qu'il se trouve en position ouverte.

► Fig.30: 1. Levier de la buse

7. Allumez la machine, puis tenez fermement la manette de commande et commencez à pulvériser.

Une fois terminé, tournez le levier de la buse de sorte qu'il se trouve en position fermée.

Lors du retrait de la machine, débloquez la boucle de la ceinture ventrale, puis retirez lentement la machine.

► Fig.31: 1. Boucle

NOTE : Vous pouvez mélanger le liquide dans le réservoir en tournant la crépine comme illustré sur la figure.

► Fig.32: 1. Crépine

ENTRETIEN

⚠ ATTENTION : Assurez-vous toujours que toutes les batteries sont retirées de la machine avant de la ranger, de la transporter ou d'en faire l'inspection ou l'entretien.

Pour assurer la SÉCURITÉ et la FIABILITÉ du produit, toute réparation, tout travail d'entretien ou de réglage doivent être effectués par un centre d'entretien Makita agréé, avec des pièces de rechange Makita.

Vidange du liquide

Lors de la vidange du liquide du réservoir, retirez le tuyau de l'unité principale, puis vidangez le liquide du réservoir dans le récipient en ouvrant le levier de vidange. Après avoir vidangé le liquide, assurez-vous de fermer le levier de vidange et fixez le tuyau à l'unité principale.

► Fig.33: 1. Levier de vidange 2. Tuyau

NOTE : Pour vider complètement le réservoir, inclinez légèrement l'unité principale en direction de la sortie du tuyau.

Nettoyage de la machine

REMARQUE : N'utilisez jamais d'essence, benzine, diluant, alcool ou autre produit similaire. Cela risquerait de provoquer la décoloration, la déformation ou la fissuration de l'outil.

Nettoyez la machine en essuyant la poussière avec un chiffon sec ou un chiffon imbibé d'eau savonneuse bien essoré.

Enlevez la poussière ou la saleté de l'entrée d'aspiration.

► Fig.34: 1. Entrée d'aspiration

Nettoyage du filtre

Nettoyez régulièrement le filtre. Pour nettoyer le filtre, suivez les étapes ci-dessous.

1. Retirez les batteries, puis fermez le levier du réservoir.

2. Retirez le capuchon du filtre en le tournant dans le sens inverse des aiguilles d'une montre, puis retirez le filtre.

► Fig.35: 1. Capuchon du filtre 2. Filtre

3. Nettoyez le filtre à l'eau courante.

4. Fixez le filtre sur l'unité principale, puis serrez le capuchon du filtre.

5. Ouvrez le levier du réservoir.

Rangement

Avant de ranger la machine, procédez à un entretien complet. Rangez la machine dans un endroit hors de portée des enfants et non exposé à l'humidité, la pluie ou aux rayons directs du soleil.

Vous pouvez connecter la lanière du tuyau à la machine comme illustré sur la figure pour redresser le tuyau.

► Fig.36: 1. Lanière

Remplacement de la buse

Vous pouvez remplacer la buse standard par la buse ULV (Ultra Low Volume, volume ultra-bas). La buse ULV peut pulvériser des gouttelettes plus fines que la buse standard. Pour changer de buse, suivez les étapes ci-dessous.

1. Desserrez la vis et retirez-la, puis retirez l'avant de la buse d'extrémité.

► Fig.37: 1. Vis 2. Buse d'extrémité

2. Retirez la buse standard en la tournant dans le sens inverse des aiguilles d'une montre avec la clé.

► Fig.38: 1. Clé 2. Buse standard

3. Retirez le joint torique de la buse standard, puis fixez-le sur la buse ULV.

► Fig.39: 1. Joint torique 2. Buse standard 3. Buse ULV

4. Fixez la buse ULV en la tournant dans le sens des aiguilles d'une montre avec la clé.

► Fig.40: 1. Clé 2. Buse ULV

REMARQUE : Ne serrez pas trop la buse. Le couple de serrage recommandé est d'environ 1,0 N·m. Si vous serrez excessivement la buse, la pièce de fixation de la buse risque d'être endommagée.

5. Fixez la buse d'extrémité, puis serrez la vis.

► Fig.41: 1. Vis 2. Buse d'extrémité

GUIDE DE DÉPANNAGE

Avant de faire une demande de réparation, effectuez d'abord vous-même une inspection. Si vous rencontrez un problème non documenté dans le mode d'emploi, n'essayez pas de démonter la machine. Demandez plutôt à un centre de service après-vente Makita agréé d'effectuer la réparation au moyen de pièces de rechange Makita.

État d'anomalie	Cause probable (dysfonctionnement)	Solution
Le moteur ne tourne pas.	La batterie n'est pas installée.	Mettez les batteries en place.
	Problème de batterie (sous tension)	Rechargez la batterie. Si vous n'arrivez pas à recharger la batterie, remplacez-la.
	Le mécanisme d'entraînement ne fonctionne pas correctement.	Demandez à votre centre de service après-vente local agréé d'effectuer la réparation.
Le moteur s'arrête au bout d'un court moment.	La charge de la batterie est faible.	Rechargez la batterie. Si vous n'arrivez pas à recharger la batterie, remplacez-la.
	Surchauffe.	Arrêtez d'utiliser la machine pour la laisser refroidir.
Rien n'est pulvérisé.	Le réservoir est vide.	Remplissez de liquide le réservoir.
	Le levier de la buse ou le levier du réservoir est fermé.	Ouvrez le levier de la buse et le levier du réservoir.
	La buse est bouchée.	Retirez la buse standard ou la buse ULV, puis nettoyez-la à l'eau courante pour retirer le matériau qui la bouche.
	Le filtre est bouché.	Retirez le filtre, puis nettoyez-le à l'eau courante pour retirer le matériau qui le bouche.
La machine n'atteint pas la vitesse maximale.	La batterie n'est pas bien installée.	Installez les batteries comme décrit dans ce manuel.
	La batterie faiblit.	Rechargez la batterie. Si vous n'arrivez pas à recharger la batterie, remplacez-la.
	Le mécanisme d'entraînement ne fonctionne pas correctement.	Demandez à votre centre de service après-vente local agréé d'effectuer la réparation.
Vibration anormale : ⇒ arrêtez immédiatement la machine !	Le mécanisme d'entraînement ne fonctionne pas correctement.	Demandez à votre centre de service après-vente local agréé d'effectuer la réparation.
Le moteur ne peut pas s'arrêter : ⇒ retirez immédiatement la batterie !	Dysfonctionnement électrique ou électronique.	Retirez la batterie et demandez à votre centre de service après-vente local agréé d'effectuer la réparation.

ACCESSOIRES EN OPTION

⚠ ATTENTION : Ces accessoires ou pièces complémentaires sont recommandés pour l'utilisation avec le produit Makita spécifié dans ce manuel. L'utilisation de tout autre accessoire ou pièce complémentaire peut comporter un risque de blessure. N'utilisez les accessoires ou pièces complémentaires qu'aux fins auxquelles ils ont été conçus.

Pour obtenir plus de détails sur ces accessoires, contactez votre centre d'entretien local Makita.

- Déflecteur
- Batterie et chargeur Makita d'origine

NOTE : Il se peut que certains éléments de la liste soient compris dans l'emballage du produit en tant qu'accessoires standard. Ils peuvent varier d'un pays à l'autre.

TECHNISCHE DATEN

Modell:		PM001G
Kapazitäten	Luftmenge	7,4 - 14,3 m ³ /min *1
	Luftgeschwindigkeit (durchschnittlich)	28,0 - 53,0 m/s
	Luftgeschwindigkeit (maximal)	34,0 - 64,0 m/s
Tankkapazität		15 l
Volumen der gesamten Restmenge		50 ml oder weniger
Abmessungen (L x B x H) (mit Enddüse)		320 mm x 600 mm x 690 mm
Nennspannung		36 V - 40 V Gleichstrom
Nettogewicht	*2	11,9 kg
	*3	12,8 - 15,7 kg
Schutzgrad		IPX4

- Wir behalten uns vor, Änderungen der technischen Daten im Zuge der Entwicklung und des technischen Fortschritts ohne vorherige Ankündigung vorzunehmen.
- Die technischen Daten können von Land zu Land unterschiedlich sein.

*1: Der maximale Luftdurchsatz beträgt 858 m³/h.

*2: Gewicht bei leerem Tank, ohne Akkus, mit Schläuchen, Düse und Tragegurten.

*3: Leichteste und schwerste Gewichtskombination, gemäß EPTA-Verfahren 01/2014. Das Gewicht kann abhängig von dem Aufsatz (den Aufsätzen), einschließlich des (der) Akkus, unterschiedlich sein.

Zutreffende Akkus und Ladegeräte

Akku	BL4040F / BL4050F / BL4080F
Ladegerät	DC40RA / DC40RB / DC40RC / DC40WA

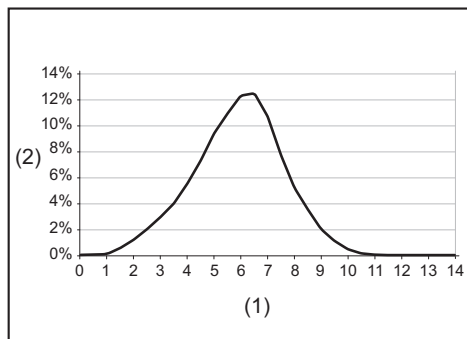
- Einige der oben aufgelisteten Akkus und Ladegeräte sind je nach Ihrem Wohngebiet eventuell nicht erhältlich.

⚠️ WARNUNG: Verwenden Sie nur die oben aufgeführten Akkus und Ladegeräte. Bei Verwendung irgendwelcher anderer Akkus und Ladegeräte besteht Verletzungs- und/oder Brandgefahr.

⚠️ WARNUNG: Verwenden Sie mit dieser Maschine keine kabelgebundenen Netzteile wie rückentragbare Akku-Bänke.

Sprühspezifikationen

Horizontaler Sprühbereich



(1) Abstand von der Flussabgabe (m) (2) Prozentualer Anteil des auf dem Boden abgelagerten Mediums

Tröpfchengröße

Tröpfchengröße mit Standard-Düse

Stellung des Einstellknopfes	Dv 0.1	Dv 0.5	Dv 0.9
1	22 µm	57 µm	112 µm
2	37 µm	102 µm	251 µm
3	40 µm	111 µm	267 µm
4	42 µm	115 µm	280 µm

Tröpfchengröße mit ULV-Düse

Stellung des Einstellknopfes	Dv 0.1	Dv 0.5	Dv 0.9
1 - 4	14 µm	41 µm	85 µm

Abgabegeräte für Arbeitspositionen

- ▶ Abb.1

Abgaberate mit Standard-Düse

Stellung des Einstellknopfes	Düsenwinkel		
	- 30°	0°	30°
1	0,23 l/min	0,19 l/min	0,12 l/min
2	1,13 l/min	0,71 l/min	0,34 l/min
3	1,37 l/min	0,95 l/min	0,49 l/min
4	1,55 l/min	1,21 l/min	0,51 l/min

Abgaberate mit ULV-Düse

Stellung des Einstellknopfes	Düsenwinkel		
	- 30°	0°	30°
1 - 4	0,05 l/min	0,04 l/min	0,03 l/min

HINWEIS: Die Werte in diesen Sprühspezifikationen können je nach den Arbeitsbedingungen oder der Umgebungstemperatur abweichen.

Symbole

Nachfolgend werden Symbole beschrieben, die für das Gerät verwendet werden können. Machen Sie sich unbedingt vor der Benutzung mit ihrer Bedeutung vertraut.

	Besondere Umsicht und Aufmerksamkeit erforderlich.
	Betriebsanleitung lesen.
	Augen- und Gehörschutz tragen.
	Atemschutz tragen.
	Keiner Feuchtigkeit aussetzen.
	Festes Schuhwerk mit rutschfesten Sohlen tragen. Sicherheitsschuhe mit Stahl-Zehenkappen werden empfohlen.
	Schutzhandschuhe tragen.
	Schutzhandschuhe tragen.
	Umstehende beim Sprühen fernhalten.
	Halten Sie Ihre Hände von rotierenden Teilen fern.
	Langes Haar kann einen Unfall durch Erfassen verursachen.
	Halten Sie Umstehende fern.
	Gewicht bei leerem Tank.
	Gewicht bei vollem Tank.



Nur für EU-Länder

Aufgrund des Vorhandenseins gefährlicher Komponenten in der Ausrüstung können Elektro- und Elektronik-Altgeräte, Akkumulatoren und Batterien sich negativ auf die Umwelt und die menschliche Gesundheit auswirken.

Entsorgen Sie Elektro- und Elektronikgeräte oder Batterien nicht mit dem Hausmüll!

In Übereinstimmung mit der Europäischen Richtlinie über Elektro- und Elektronik-Altgeräte, Akkumulatoren und Batterien, verbrauchte Akkumulatoren und Batterien sowie ihrer Anpassung an nationales Recht sollten Elektro-Altgeräte, Batterien und Akkumulatoren gemäß den Umweltschutzbestimmungen getrennt gelagert und zu einer getrennten Sammelstelle für Siedlungsabfälle geliefert werden.

Dies wird durch das am Gerät angebrachte Symbol der durchgestrichenen Abfalltonne auf Rädern angezeigt.



Garantierter Schallleistungspegel gemäß der EU-Richtlinie über Außenlärm.



Schallleistungspegel gemäß der australischen NSW-Lärmschutzverordnung

Vorgesehene Verwendung

Die Maschine ist für das Versprühen von Nebel bestimmt.

Geräusch

Typischer A-bewerteter Geräuschpegel ermittelt gemäß ISO22868:

Schalldruckpegel (L_{pA}): 84,5 dB (A)

Schallleistungspegel (L_{WA}): 103,3 dB (A)

Messunsicherheit (K): 2,3 dB (A)

HINWEIS: Der (Die) angegebene(n) Schallemissionswert(e) wurde(n) im Einklang mit der Standardprüfmethode gemessen und kann (können) für den Vergleich zwischen Werkzeugen herangezogen werden.

HINWEIS: Der (Die) angegebene(n) Schallemissionswert(e) kann (können) auch für eine Vorbewertung des Gefährdungsgrads verwendet werden.

⚠️ WARNUNG: Einen Gehörschutz tragen.

⚠️ WARNUNG: Die Schallemission während der tatsächlichen Benutzung des Elektrowerkzeugs kann je nach der Benutzungsweise des Werkzeugs, und speziell je nach der Art des bearbeiteten Werkstücks, von dem (den) angegebenen Wert(en) abweichen.

⚠️ WARNUNG: Identifizieren Sie Sicherheitsmaßnahmen zum Schutz des Benutzers anhand einer Schätzung des Gefährdungsgrads unter den tatsächlichen Benutzungsbedingungen (unter Berücksichtigung aller Phasen des Arbeitszyklus, wie z. B. Ausschalt- und Leerlaufzeiten des Werkzeugs zusätzlich zur Betriebszeit).

Schwingungen

Schwingungsgesamtwert (Drei-Achsen-Vektorsumme) ermittelt gemäß ISO22867:

Arbeitsmodus: Leerlaufbetrieb

Schwingungsemission (a_h): 2,5 m/s² oder weniger
Messunsicherheit (K): 1,5 m/s²

HINWEIS: Der (Die) angegebene(n) Vibrationsgesamtwert(e) wurde(n) im Einklang mit der Standardprüfmethode gemessen und kann (können) für den Vergleich zwischen Werkzeugen herangezogen werden.

HINWEIS: Der (Die) angegebene(n) Vibrationsgesamtwert(e) kann (können) auch für eine Vorbewertung des Gefährdungsgrads verwendet werden.

⚠️ WARNUNG: Die Vibrationsemission während der tatsächlichen Benutzung des Elektrowerkzeugs kann je nach der Benutzungsweise des Werkzeugs, und speziell je nach der Art des bearbeiteten Werkstücks, von dem (den) angegebenen Emissionswert(en) abweichen.

⚠️ WARNUNG: Identifizieren Sie Sicherheitsmaßnahmen zum Schutz des Benutzers anhand einer Schätzung des Gefährdungsgrads unter den tatsächlichen Benutzungsbedingungen (unter Berücksichtigung aller Phasen des Arbeitszyklus, wie z. B. Ausschalt- und Leerlaufzeiten des Werkzeugs zusätzlich zur Betriebszeit).

Konformitätserklärungen

Nur für europäische Länder

Die Konformitätserklärungen sind in Anhang A dieser Betriebsanleitung enthalten.

SICHERHEITSWARNUNGEN

Allgemeine Sicherheitswarnungen für Elektrowerkzeuge

⚠️ WARNUNG Lesen Sie alle Sicherheitshinweise, Anweisungen, Abbildungen und Spezifikationen, die diesem Elektrowerkzeug beiliegen. Eine Missachtung der unten aufgeführten Anweisungen kann zu einem elektrischen Schlag, Brand und/oder schweren Verletzungen führen.

Bewahren Sie alle Warnungen und Anweisungen für spätere Bezugnahme auf.

Der Ausdruck „Elektrowerkzeug“ in den Warnhinweisen bezieht sich auf Ihr mit Netzstrom (mit Kabel) oder Akku (ohne Kabel) betriebenes Elektrowerkzeug.

Sicherheitsanweisungen für Akku-Rucksacksprüherät

⚠️ WARNUNG: Lesen Sie alle Sicherheitswarnungen und Anweisungen durch. Eine Missachtung der unten aufgeführten Warnungen und Anweisungen kann zu einem elektrischen Schlag, Brand und/oder schweren Verletzungen führen.

Bewahren Sie alle Warnungen und Anweisungen für spätere Bezugnahme auf.

Allgemeine Anweisungen

1. Um einen korrekten und sicheren Betrieb zu gewährleisten, muss der Benutzer diese Betriebsanleitung lesen, verstehen und befolgen, um sich mit der Handhabung der Maschine vertraut zu machen. Unzureichend informierte Benutzer können sich und andere Personen durch unsachgemäßen Gebrauch gefährden.
2. Es wird empfohlen, die Maschine nur an Personen auszuleihen, die nachweislich Erfahrung im Umgang mit Sprüheräten haben.
3. Kinder und Jugendliche unter 18 Jahren dürfen die Maschine nicht in Betrieb nehmen. Personen, die älter als 16 Jahre sind, dürfen die Maschine jedoch nur zum Zweck der Ausbildung und unter direkter Aufsicht eines qualifizierten Ausbilders benutzen.
4. Benutzen Sie nur Pflanzenschutzmittel, die vom Hersteller speziell für die Benutzung mit Sprüheräten zugelassen sind und die alle geltenden Sicherheitsvorschriften, Normen und Verordnungen erfüllen.
5. Alle Personen, die mit dem Betrieb und dem Warten dieses Produkts betraut sind, sollten

geschult und mit dem ordnungsgemäßen Umgang mit den verwendeten chemischen Produkten sowie mit den Vorschriften zur Entsorgung von flüssigen Chemikalien vertraut gemacht werden.

6. Um die Verletzungsgefahr bei der Verwendung von chemischen Produkten zu verringern, tragen Sie beim Befüllen, Benutzen und Reinigen des Sprüherätes geeignete Schutzkleidung. Befolgen Sie stets alle Anweisungen des Chemikalienherstellers in Bezug auf ordnungsgemäßen Augen-, Haut- und Atemschutz.
7. Bei der Benutzung von giftigen Chemikalien müssen der Bediener und die Umstehenden unter Umständen ein ordnungsgemäß angepasstes Atemschutzgerät für die benutzte Chemikalie tragen. Beachten Sie das Etikett des chemischen Produkts. Das Einatmen giftiger Chemikalien kann schwere oder tödliche Verletzungen verursachen.

Verwendungszweck der Maschine

1. Die Maschine ist nur für das Versprühen von flüssigen Chemikalien und anderen Flüssigkeiten zur Schädlings- und Unkrautbekämpfung in Obst-, Blumen- und Gemüsegärten, auf Bäumen und Sträuchern sowie auf anderen Pflanzen wie Kaffee, Tabak und Baumwolle bestimmt. Es ist auch nützlich für die Pflege von jungen Bäumen, um den Borkenkäfer und andere Schädlinge und Pflanzenkrankheiten zu bekämpfen. Benutzen Sie es niemals für andere Zwecke.

Einarbeitung

1. Lesen Sie die Anweisungen sorgfältig durch. Machen Sie sich mit den Bedienelementen und dem korrekten Gebrauch der Maschine vertraut.
2. Lassen Sie niemals zu, dass Kinder, Personen mit verminderten körperlichen, sensorischen oder geistigen Fähigkeiten oder Mangel an Erfahrung und Kenntnissen, oder Personen, die nicht mit diesen Anweisungen vertraut sind, die Maschine benutzen. Örtliche Vorschriften können das Alter der Bedienungsperson einschränken.
3. Betreiben Sie die Maschine keinesfalls, während sich Personen, besonders Kinder, oder Haustiere in der Nähe aufhalten.
4. Beachten Sie, dass der Bediener oder Benutzer für Unfälle oder Gefahren verantwortlich ist, die an anderen Personen oder deren Eigentum auftreten.

Vorbereitung

1. Tragen Sie immer kräftiges Schuhwerk und lange Hosen während der Benutzung der Maschine.
2. Tragen Sie keine losen Kleidungsstücke oder Schmucksachen, die in den Lufterlass eingesaugt werden könnten. Halten Sie langes Haar von den Lufterlässen fern.
3. Um eine Reizung der Atemwege durch Staub zu verhindern, wird das Anlegen einer Atemmaske empfohlen.
4. Tragen Sie während des Betriebs der Maschine

immer rutschfestes und schützendes Schuhwerk. Rutschfeste Sicherheitsstiefel und -schuhe mit geschlossenen Kappen verringern die Verletzungsgefahr.

5. Tragen Sie bei der Arbeit mit der Maschine immer Gummi-/chemikalienbeständige Handschuhe und Gummi-/Chemikalienstiefel.

Handhabung von Chemikalien

1. Einige Chemikalien können giftige und/oder ätzende Stoffe enthalten. Solche Chemikalien können gefährlich sein und schwere oder tödliche Verletzungen bei Menschen und Tieren und/oder schwere Schäden an Pflanzen und der Umwelt verursachen. Vermeiden Sie den direkten Kontakt mit Chemikalien. Befolgen Sie die Anweisungen des Chemikalienherstellers in Bezug auf den Kontakt mit seinem Produkt.
2. Lesen Sie jedes Mal das Etikett und die Gebrauchsanweisung des Herstellers, bevor Sie die Chemikalie mischen oder benutzen und bevor Sie sie lagern oder entsorgen. Unvorsichtige oder unsachgemäße Benutzung kann zu schweren oder tödlichen Verletzungen führen.
3. Lesen Sie vor der Benutzung sorgfältig die Etiketten auf den Chemikalienbehältern. Chemikalien werden in Toxizitätskategorien eingeteilt. Jede Kategorie hat ihre eigenen Handhabungseigenschaften. Machen Sie sich mit den Merkmalen der Kategorie der von Ihnen benutzten Chemikalie vertraut. Chemikalien dürfen nur von Personen benutzt werden, die in ihrer Handhabung und in den entsprechenden Erste-Hilfe-Maßnahmen geschult sind.
4. Falls die Chemikalien unsachgemäß benutzt werden, können sie für Menschen, Tiere und die Umwelt schädlich sein. Es ist ratsam, keine Chemikalien, die ätzend, korrosiv oder giftig sind, mit der Maschine zu verwenden.
5. Mischen Sie nur verträgliche Pestizide. Falsche Mischungen können giftige Dämpfe erzeugen. Achten Sie bei der Handhabung und dem Versprühen von Chemikalien darauf, dass der Betrieb in Übereinstimmung mit den örtlichen Umweltschutzvorschriften und -richtlinien erfolgt. Sprühen Sie nicht, wenn es windig ist. Um die Umwelt zu schützen, verwenden Sie nur die empfohlene Dosierung.
6. Vermeiden Sie es, den Mund zu öffnen, z. B. zu essen, zu trinken oder zu rauchen, während Sie mit Chemikalien umgehen oder sie versprühen. Blasen Sie niemals mit dem Mund durch Düsen, Schläuche, Rohre oder andere Komponenten. Tragen Sie bei der Handhabung von Chemikalien stets geeignete Schutzkleidung und Sicherheitsausrüstung in einem gut belüfteten Bereich.
7. Lagern oder transportieren Sie Chemikalien nicht zusammen mit Lebensmitteln, Getränken oder Medikamenten, und verwenden Sie Chemikalienbehälter niemals für andere Zwecke. Füllen Sie flüssige Chemikalien nicht in andere Behälter um, insbesondere nicht in Lebensmittel- und/oder Getränkebehälter.

8. Halten Sie das Etikett des Produkts bereit, um es den Personen, die Sie beraten, zu zeigen oder vorzulesen. Beseitigen Sie verschüttete Chemikalien unverzüglich. Im Falle eines versehentlichen Kontakts oder Verschluckens von Chemikalien oder im Falle einer Verunreinigung der Kleidung sollten Sie die Arbeit einstellen und sofort die Anweisungen des Chemikalienherstellers konsultieren. Falls Sie unsicher sind, was zu tun ist, fragen Sie sofort einen Arzt oder eine Giftnotrufzentrale um Rat.
9. Entsorgen Sie eventuelle Rückstände unter Beachtung der Gesetze und Vorschriften Ihres Wohnortes.
10. Bewahren Sie Chemikalien außerhalb der Reichweite von Kindern, anderen unbefugten Personen und Tieren auf. Wenn Sie die Chemikalien nicht benutzen, bewahren Sie sie an einem sicheren und verriegelten Ort auf. Beachten Sie die Empfehlungen des Herstellers zur ordnungsgemäßen Lagerung.

Vorbereitung von Chemikalien

1. Bereiten Sie chemische Lösungen gemäß den Anweisungen des Chemikalienherstellers vor.
2. Bereiten Sie nur so viel Lösung vor, wie für den jeweiligen Job erforderlich ist, damit keine Lösung übrig bleibt.
3. Mischen Sie Chemikalien nur unter Beachtung der Anweisungen. Falsche Mischungen können giftige Dämpfe oder explosive Gemische erzeugen.
4. Sprühen Sie niemals unverdünnte Chemikalien.
5. Bereiten Sie die Lösung vor und füllen Sie den Behälter nur im Freien an einem gut belüfteten Ort.

Lagerung von Chemikalien

1. Bewahren Sie die Sprühlösung nicht länger als einen Tag im Behälter auf.
2. Lagern und transportieren Sie die Sprühlösung immer nur in zugelassenen Behältern.
3. Lagern oder transportieren Sie die Sprühlösung niemals in Behältern, die für Lebensmittel, Getränke oder Tierfutter bestimmt sind.
4. Unterlassen Sie die Lagerung oder den Transport der Sprühlösung zusammen mit Lebensmitteln, Getränken oder Tierfutter.
5. Bewahren Sie die Sprühlösung außerhalb der Reichweite von Kindern, anderen unbefugten Personen und Tieren auf.
6. Bewahren Sie die Sprühlösung an einem verriegelten und gegen unbefugte Benutzung gesicherten Ort auf.

Entsorgung von Chemikalien

1. Entsorgen Sie Chemikalienreste oder verunreinigte Spüllösungen niemals in Gewässern, Abflüssen, Abwasserkanälen, Straßenrinnen, Schächten oder dergleichen.
2. Beachten Sie bei der Entsorgung von kontaminierter Spülung alle geltenden Gesetze, Vorschriften und Verordnungen.

3. Beachten Sie unbedingt die Sicherheitshinweise des Chemikalienherstellers.

Befüllen des Tanks

1. Stellen Sie sicher, dass der Ablasshebel und der Düsenhebel geschlossen sind.
2. Bevor Sie das Sprüherät mit Chemikalien benutzen, füllen Sie den Tank mit frischem Wasser, um sich zu vergewissern, dass Sie es ordnungsgemäß montiert haben, und üben Sie das Sprühen. Überprüfen Sie bei dieser Gelegenheit auch, ob undichte Stellen vorhanden sind. Wenn Sie mit dem Betrieb des Sprüheräts gründlich vertraut sind, befolgen Sie die normalen Bedienungsverfahren.
3. Befüllen Sie den Tank in gut belüfteten Räumen oder im Freien.
4. Benutzen Sie keine brennbaren Stoffe im Sprüherät, da diese eine Explosion verursachen können, die zu schweren oder tödlichen Verletzungen führen kann.
5. Benutzen Sie keine ätzenden oder korrosiven Materialien im Sprüherät, da dies zu Schäden an der Maschine führen kann.
6. Verwenden Sie keine Flüssigkeiten mit einer Temperatur von mehr als 50 °C (122 °F), um die Gefahr von Verbrühungen und Schäden an der Maschine zu verringern.
7. Stellen Sie das Sprüherät zum Befüllen des Tanks auf eine ebene Fläche. Um das Risiko einer Verunreinigung der Umgebung zu verringern, sollten Sie darauf achten, den Tank nicht mit der chemischen Lösung zu überfüllen.
8. Um die Verletzungsgefahr zu verringern, sollten Sie den Tank nicht füllen, während Sie die Maschine auf dem Rücken tragen.
9. Wenn Sie den Lösungsbehälter mit einem Schlauch füllen, der an eine zentrale Wasserversorgung angeschlossen ist, achten Sie darauf, dass das Ende des Schlauchs nicht in die Lösung gelangt, um das Risiko eines Rückflusses zu verringern.
10. Berechnen Sie die korrekte Menge der chemischen Lösung, so dass sie auf einmal verwendet wird und keine zusätzliche Lösung im Tank übrig bleibt.
11. Ziehen Sie den Tankdeckel nach dem Befüllen fest an.
12. Prüfen Sie beim Nachfüllen und während des Betriebs, ob undichte Stellen vorhanden sind. Ein Leck im Tank oder eine lockere Armatür könnte Ihre Kleidung durchnässen und mit Ihrer Haut in Berührung kommen.
13. Füllen Sie den Tank mit Flüssigkeit entsprechend der Körpergröße oder Stärke des Bedieners.

Betrieb

1. Schalten Sie die Maschine aus, nehmen Sie den Akku ab, und vergewissern Sie sich, dass alle beweglichen Teile zu einem vollständigen Stillstand gekommen sind,
 - wann immer Sie die Maschine verlassen.
 - bevor Sie Blockierungen beseitigen.
 - bevor Sie die Maschine überprüfen,

- reinigen oder daran arbeiten.
- falls die Maschine ungewöhnlich zu vibrieren beginnt.
2. **Betreiben Sie die Maschine nur bei Tageslicht oder hellem Kunstlicht.**
 3. **Übernehmen Sie sich nicht, und behalten Sie stets Ihr Gleichgewicht und Ihren Stand bei.**
 4. **Achten Sie beim Arbeiten auf Hängen stets auf sicheren Stand.**
 5. **Stets gehen, niemals laufen.**
 6. **Halten Sie alle Kühllufteinlässe frei von Unrat.**
 7. **Sprühen Sie niemals in die Richtung von Umstehenden.**
 8. **Betreiben Sie die Maschine in einer empfohlenen Position und auf einer festen Oberfläche.**
 9. **Betreiben Sie die Maschine nicht an hohen Orten.**
 10. **Richten Sie die Düse während der Benutzung der Maschine niemals auf Personen in der Nähe.**
 11. **Blockieren Sie niemals den Saugeinlass und/oder den Auslass des Sprüherätes.**
 - **Achten Sie beim Betrieb in staubiger Umgebung darauf, dass der Saugeinlass oder der Auslass des Sprüherätes nicht mit Staub oder Schmutz blockiert werden.**
 - **Verwenden Sie keine anderen Düsen außer den von Makita bereitgestellten Düsen.**
 12. **Betreiben Sie die Maschine nicht in der Nähe eines offenen Fensters usw.**
 13. **Es wird empfohlen, die Maschine nur zu normalen Zeiten zu betreiben - nicht früh morgens oder spät abends, wenn Leute gestört werden könnten.**
 14. **Falls die Maschine gegen irgendwelche Fremdkörper stößt oder beginnt, ungewöhnliche Geräusche oder Vibrationen abzugeben, schalten Sie die Maschine unverzüglich aus, um sie anzuhalten. Nehmen Sie die Akkus von der Maschine ab, und überprüfen Sie die Maschine auf Beschädigung, bevor Sie die Maschine wieder starten und in Betrieb nehmen. Falls die Maschine beschädigt ist, wenden Sie sich bezüglich einer Reparatur an ein autorisiertes Makita-Servicecenter.**
 15. **Stecken Sie keine Finger oder andere Gegenstände in den Saugeinlass oder den Auslass des Sprüherätes.**
 16. **Verhüten Sie unbeabsichtigtes Einschalten. Vergewissern Sie sich, dass sich der Schalter in der Aus-Stellung befindet, bevor Sie die Akkus einsetzen bzw. die Maschine aufheben oder tragen. Das Tragen der Maschine mit dem Finger am Schalter oder das Aktivieren der Maschine bei eingeschaltetem Schalter führt zu Unfällen.**
 17. **Betreiben Sie die Maschine nicht in der Nähe von brennbaren Materialien.**
 18. **Vermeiden Sie längeren Betrieb der Maschine in kalten Umgebungen.**
 19. **Benutzen Sie die Maschine nicht, wenn Blitzgefahr besteht.**
 20. **Wenn Sie die Maschine auf schlammigem Boden, auf einem nassen Hang oder an einem schlüpfrigen Ort benutzen, achten Sie auf Ihren Stand.**
 21. **Benutzen Sie die Maschine nicht bei schlechtem Wetter, wo die Sichtverhältnisse eingeschränkt sind. Anderenfalls kann es zu einem Sturz oder falschem Betrieb wegen schlechter Sichtverhältnisse kommen.**
 22. **Tauchen Sie die Maschine nicht in einen Tümpel ein.**
 23. **Lassen Sie die Maschine nicht unbeaufsichtigt im Freien bei Regen stehen.**
 24. **Benutzen Sie die Maschine nicht im Schnee.**
 25. **Halten Sie das Kabel während der Arbeit von Hindernissen fern. Falls das Kabel an Hindernissen hängen bleibt, kann es zu ernsthaften Verletzungen kommen.**
 26. **Vermeiden Sie Arbeiten bei Minustemperaturen, da die Flüssigkeit im Tank einfrieren kann.**
- Nach dem Betrieb**
1. **Waschen Sie sich immer gründlich mit Wasser und Seife, nachdem Sie Chemikalien versprüht oder gehandhabt haben. Duschen Sie sofort und waschen Sie die Schutzkleidung getrennt von anderen Gegenständen. Beachten Sie alle zusätzlichen Empfehlungen des Chemikalienherstellers.**
 2. **Leeren, spülen und reinigen Sie den Tank und das Sieb nach jeder Benutzung. Dadurch wird verhindert, dass die Lösung auskristallisiert, was später zu Verstopfungen und chemischen Schäden an der Maschine führen könnte. Außerdem können chemische Rückstände unerwünschte Auswirkungen haben, wenn anschließend mit einer anderen Art von Chemikalie gesprüht wird (z. B. können Herbizidrückstände Pflanzen schädigen oder abtöten, die mit einem Pestizid besprüht werden).**
 3. **Lagern Sie die Maschine nicht mit Sprühlösung im Tank.**
- Wartung und Lagerung**
1. **Halten Sie alle Muttern, Bolzen und Schrauben fest angezogen, um sicherzugehen, dass sich die Maschine in gutem Betriebszustand befindet.**
 2. **Falls die Teile verschlissen oder beschädigt sind, ersetzen Sie sie durch von Makita bereitgestellte Teile.**
 3. **Bewahren Sie die Maschine an einem trockenen Ort außer Reichweite von Kindern auf.**
 4. **Wenn Sie die Maschine zur Inspektion, Wartung, Lagerung oder zum Wechseln von Zubehör anhalten, schalten Sie die Maschine aus, und vergewissern Sie sich, dass alle beweglichen Teile zum vollständigen Stillstand gekommen sind, bevor Sie die Akkus abnehmen. Lassen Sie die Maschine abkühlen, bevor Sie irgendwelche Arbeiten an der Maschine durchführen. Warten Sie die Maschine mit Sorgfalt, und halten Sie sie sauber.**
 5. **Lassen Sie die Maschine vor der Lagerung**

- immer abkühlen.
6. **Setzen Sie die Maschine keinem Regen aus. Lagern Sie die Maschine in einem Innenraum.**
 7. **Wenn Sie die Maschine hochheben, beugen Sie unbedingt Ihre Knie, und achten Sie darauf, dass Sie Ihren Rücken nicht verletzen.**
 8. **Achten Sie beim Waschen der Maschine darauf, dass kein Wasser in den elektrischen Mechanismus, wie z. B. Akku, Motor und Anschlüsse, eindringt.**
 9. **Lagern Sie die Maschine nicht an einem Ort, der direktem Sonnenlicht und Regen ausgesetzt ist, sondern an einem Ort, an dem es nicht heiß oder feucht wird.**
 10. **Achten Sie beim Tragen der Maschine darauf, dass Sie die Maschine fest halten.**
 11. **Achten Sie beim Tragen der Maschine darauf, dass das Kabel nicht an Hindernissen hängen bleibt.**

Gebrauch und Pflege von Akkuwerkzeugen

1. **Laden Sie den Akku nur mit dem vom Hersteller vorgeschriebenen Ladegerät.** Ein Ladegerät, das für einen Akkutyp geeignet ist, kann bei Verwendung mit einem anderen Akku eine Brandgefahr darstellen.
2. **Benutzen Sie Elektrowerkzeuge nur mit den ausdrücklich vorgeschriebenen Akkus.** Bei Verwendung irgendwelcher anderer Akkus besteht Verletzungs- und Brandgefahr.
3. **Bewahren Sie den Akku bei Nichtgebrauch nicht zusammen mit Metallgegenständen, wie Büroklammern, Münzen, Schlüsseln, Nägeln, Schrauben, und anderen kleinen Metallteilen auf, welche die Kontakte kurzschließen können.** Kurzschließen der Akkukontakte kann Verbrennungen oder einen Brand verursachen.
4. **Bei Missbrauch kann Flüssigkeit aus dem Akku austreten. Vermeiden Sie Kontakt mit dieser Flüssigkeit. Falls Sie versehentlich mit der Flüssigkeit in Berührung kommen, spülen Sie die betroffenen Stellen mit Wasser ab. Falls die Flüssigkeit in die Augen gelangt, suchen Sie zusätzlich ärztliche Hilfe auf.** Die vom Akku austretende Flüssigkeit kann Hautreizungen oder Verätzungen verursachen.
5. **Verwenden Sie keinen Akku und auch kein Werkzeug, der (das) beschädigt oder modifiziert ist.** Beschädigte oder modifizierte Akkus können unvorhersehbares Verhalten zeigen, das zu einem Brand, einer Explosion oder Verletzungsgefahr führen kann.
6. **Setzen Sie einen Akku oder ein Werkzeug nicht Feuer oder übermäßigen Temperaturen aus.** Bei Einwirkung von Feuer oder Temperaturen über 130 °C kann es zu einer Explosion kommen.
7. **Befolgen Sie alle Ladeanweisungen, und laden Sie den Akku bzw. das Werkzeug nicht außerhalb des in den Anweisungen angegebenen Temperaturbereichs.** Wird der Ladevorgang unsachgemäß oder bei Temperaturen außerhalb des angegebenen Bereichs durchgeführt, kann es zu einer Beschädigung des Akkus und erhöhter Brandgefahr kommen.

Sicherheit der Elektrik und des Akkus

1. **Werfen Sie den (die) Akku(s) nicht ins Feuer.** Die Zelle könnte explodieren. Prüfen Sie die örtlichen Vorschriften für mögliche spezielle Entsorgungsanweisungen.
2. **Versuchen Sie nicht, den (die) Akku(s) zu öffnen oder zu verstümmeln.** Freigesetzter Elektrolyt ist korrosiv und kann Schäden an Augen oder Haut verursachen. Falls er verschluckt wird, kann er giftig sein.
3. **Laden Sie den Akku nicht im Regen oder an nassen Orten.**
4. **Laden Sie den Akku nicht im Freien.**
5. **Fassen Sie das Ladegerät, einschließlich des Ladegerätesteckers und der Ladegeräteanschlüsse, nicht mit nassen Händen an.**
6. **Tauschen Sie den Akku nicht mit nassen Händen aus.**
7. **Tauschen Sie den Akku nicht im Regen aus.**
8. **Vermeiden Sie Benetzen der Akkukontakte mit einer Flüssigkeit, wie z. B. Wasser, oder Untertauchen des Akkus. Lassen Sie den Akku nicht im Regen stehen, und unterlassen Sie Laden, Benutzen oder Lagern des Akkus an einem feuchten oder nassen Ort.** Falls die Kontakte nass werden, oder eine Flüssigkeit in den Akku eindringt, kann der Akku kurzgeschlossen werden, und es besteht Überhitzungs-, Brand- oder Explosionsgefahr.
9. **Nachdem Sie den Akku aus der Maschine oder dem Ladegerät genommen haben, sollten Sie ihn an einem trockenen Ort aufbewahren.**
10. **Falls der Akku nass wird, lassen Sie das eingedrungene Wasser ab, und wischen Sie ihn dann mit einem trockenen Tuch ab. Lassen Sie den Akku an einem trockenen Ort vollkommen trocknen, bevor Sie ihn benutzen.**

Wartung

1. **Lassen Sie Ihr Elektrowerkzeug nur unter Verwendung identischer Ersatzteile von einem qualifizierten Wartungstechniker warten.** Dadurch wird die Aufrechterhaltung der Sicherheit des Elektrowerkzeugs gewährleistet.
2. **Beschädigte Akkus dürfen auf keinen Fall gewartet werden.** Die Wartung von Akkus darf nur vom Hersteller oder von einer Vertragswerkstatt durchgeführt werden.

DIESE ANWEISUNGEN AUFBEWAHREN.

⚠️ WARNUNG: Lassen Sie sich NICHT durch Bequemlichkeit oder Vertrautheit mit dem Produkt (durch wiederholten Gebrauch erworben) von der strikten Einhaltung der Sicherheitsregeln für das vorliegende Produkt abhalten.

MISSBRAUCH oder Missachtung der Sicherheitsvorschriften in dieser Anleitung können schwere Verletzungen verursachen.

Wichtige Sicherheitsanweisungen für Akku

1. **Lesen Sie vor der Benutzung des Akkus alle Anweisungen und Warnhinweise, die an (1) Ladegerät, (2) Akku und (3) Akkuwerkzeug angebracht sind.**
2. **Unterlassen Sie Zerlegen oder Manipulieren des Akkus.** Es kann sonst zu einem Brand, übermäßiger Hitzeentwicklung oder einer Explosion kommen.
3. **Falls die Betriebszeit beträchtlich kürzer geworden ist, stellen Sie den Betrieb sofort ein.** Anderenfalls besteht die Gefahr von Überhitzung, möglichen Verbrennungen und sogar einer Explosion.
4. **Falls Elektrolyt in Ihre Augen gelangt, waschen Sie sie mit sauberem Wasser aus, und begeben Sie sich unverzüglich in ärztliche Behandlung.** Anderenfalls können Sie Ihre Sehkraft verlieren.
5. **Der Akku darf nicht kurzgeschlossen werden:**
 - (1) **Die Kontakte dürfen nicht mit leitfähigem Material berührt werden.**
 - (2) **Lagern Sie den Akku nicht in einem Behälter zusammen mit anderen Metallgegenständen, wie z. B. Nägel, Münzen usw.**
 - (3) **Setzen Sie den Akku weder Wasser noch Regen aus.**

Ein Kurzschluss des Akkus verursacht starken Stromfluss, der Überhitzung, mögliche Verbrennungen und einen Defekt zur Folge haben kann.
6. **Lagern und benutzen Sie das Werkzeug und den Akku nicht an Orten, an denen die Temperatur 50 °C erreichen oder überschreiten kann.**
7. **Versuchen Sie niemals, den Akku zu verbrennen, selbst wenn er stark beschädigt oder vollkommen verbraucht ist.** Der Akku kann im Feuer explodieren.
8. **Unterlassen Sie Nageln, Schneiden, Zerquetschen, Werfen, Fallenlassen des Akkus oder Schlagen des Akkus mit einem harten Gegenstand.** Eine solche Handlung kann zu einem Brand, übermäßiger Hitzeentwicklung oder einer Explosion führen.
9. **Benutzen Sie keine beschädigten Akkus.**
10. **Die enthaltenen Lithium-Ionen-Akkus unterliegen den Anforderungen der Gefahrgut-Gesetzgebung.**

Für kommerzielle Transporte, z. B. durch Dritte oder Spediteure, müssen besondere Anforderungen zu Verpackung und Etikettierung beachtet werden.

Zur Vorbereitung des zu transportierenden Artikels ist eine Beratung durch einen Experten für Gefahrgut erforderlich. Bitte beachten Sie möglicherweise ausführlichere nationale Vorschriften. Überkleben oder verdecken Sie offene Kontakte, und verpacken Sie den Akku so, dass er sich in der Verpackung nicht umher bewegen kann.
11. **Entfernen Sie den Akku zum Entsorgen vom Werkzeug, und entsorgen Sie ihn an einem sicheren Ort.** Befolgen Sie die örtlichen Vorschriften bezüglich der Entsorgung von Akkus.
12. **Verwenden Sie die Akkus nur mit den von Makita angegebenen Produkten.** Das Einsetzen der Akkus in nicht konforme Produkte kann zu einem Brand, übermäßiger Hitzebildung, einer Explosion oder Auslaufen von Elektrolyt führen.
13. **Soll das Werkzeug längere Zeit nicht benutzt werden, muss der Akku vom Werkzeug entfernt werden.**
14. **Bei und nach dem Gebrauch kann der Akku heiß werden, was Verbrennungen oder Niedertemperaturverbrennungen verursachen kann.** Beachten Sie die Handhabung von heißen Akkus.
15. **Berühren Sie nicht den Anschlusskontakt des Werkzeugs unmittelbar nach dem Gebrauch, da er heiß genug werden kann, um Verbrennungen zu verursachen.**
16. **Achten Sie darauf, dass sich keine Späne, Staub oder Schmutz in den Anschlusskontakten, Löchern und Nuten des Akkus absetzen.** Es könnte sonst zu Erhitzung, Brandauslösung, Bersten und Funktionsstörungen des Werkzeugs oder des Akkus kommen, was zu Verbrennungen oder Personenschäden führen kann.
17. **Wenn das Werkzeug den Einsatz in der Nähe einer Hochspannungs-Stromleitung nicht unterstützt, benutzen Sie den Akku nicht in der Nähe einer Hochspannungs-Stromleitung.** Dies kann zu einer Funktionsstörung oder Betriebsstörung des Werkzeugs oder des Akkus führen.
18. **Halten Sie die Batterie von Kindern fern.**

DIESE ANWEISUNGEN AUFBEWAHREN.

⚠ VORSICHT: Verwenden Sie nur Original-Makita-Akkus. Die Verwendung von Nicht-Original-Makita-Akkus oder von Akkus, die abgeändert worden sind, kann zum Bersten des Akkus und daraus resultierenden Bränden, Personenschäden und Beschädigung führen. Außerdem wird dadurch die Makita-Garantie für das Makita-Werkzeug und -Ladegerät ungültig.

Hinweise zur Aufrechterhaltung der maximalen Akku-Nutzungsdauer

1. **Laden Sie den Akku, bevor er vollkommen erschöpft ist.** Schalten Sie das Werkzeug stets aus, und laden Sie den Akku, wenn Sie ein Nachlassen der Werkzeugleistung feststellen.
2. **Unterlassen Sie erneutes Laden eines voll aufgeladenen Akkus.** Überladen führt zu einer Verkürzung der Nutzungsdauer des Akkus.
3. **Laden Sie den Akku bei Raumtemperatur zwischen 10 – 40 °C.** Lassen Sie einen heißen Akku abkühlen, bevor Sie ihn laden.
4. **Wenn Sie den Akku nicht benutzen, nehmen**

5. Sie ihn vom Werkzeug oder Ladegerät ab.
Der Akku muss geladen werden, wenn er lange Zeit (länger als sechs Monate) nicht benutzt wird.

MONTAGE

⚠ VORSICHT: Vergewissern Sie sich stets, dass alle Akkus abgenommen sind, bevor Sie irgendwelche Arbeiten an der Maschine ausführen. Wird das Abnehmen aller Akkus unterlassen, kann es zu schweren Personenschäden durch versehentliches Anlaufen kommen.

Zusammenbauen der Blasrohre

- Lösen Sie die Klemmschraube.
▶ **Abb.2:** 1. Klemmschraube
- Installieren Sie den Steuergriff am Schwenkrohr und ziehen Sie die Klemmschraube an. Achten Sie darauf, den Steuergriff nicht vorwärts über die Pfeilmarkierungen hinaus zu positionieren.
▶ **Abb.3:** 1. Steuergriff 2. Schwenkrohr 3. Klemmschraube 4. Pfeilmarkierungen

ANMERKUNG: Achten Sie darauf, das Kabel des Steuergriffs nicht zu verdrehen, wenn Sie den Steuergriff am Schwenkrohr befestigen.

- Lösen Sie die Schraube an der Schlauchklemme und befestigen Sie die Schlauchklemme an der Enddüse. Richten Sie die Nuten an der Enddüse auf die Vorsprünge am Schwenkrohr aus, befestigen Sie die Enddüse am Schwenkrohr, und ziehen Sie dann die Schraube an der Schlauchklemme an.
▶ **Abb.4:** 1. Enddüse 2. Schlauchklemme 3. Schwenkrohr 4. Nut 5. Vorsprung 6. Schraube
- Lösen Sie die Schraube an der Schlauchklemme, befestigen Sie dann den Düsenhebel an der Schlauchklemme, und bringen Sie die Schlauchklemme am flexiblen Rohr an. Bringen Sie das Schwenkrohr am flexiblen Rohr an, und ziehen Sie dann die Schraube an der Schlauchklemme an.
▶ **Abb.5:** 1. Schwenkrohr 2. Düsenhebel 3. Schlauchklemme 4. Flexibles Rohr 5. Schraube
- Lösen Sie die Schraube an der Schlauchklemme, und befestigen Sie die Schlauchklemme an dem flexiblen Rohr. Befestigen Sie das flexible Rohr am Kniestück, und ziehen Sie dann die Schraube an der Schlauchklemme an.
▶ **Abb.6:** 1. Flexibles Rohr 2. Schlauchklemme 3. Kniestück

ANMERKUNG: Achten Sie darauf, dass die Schraube an der Schlauchklemme nicht nach außen zeigt, wie in der Abbildung gezeigt.
▶ **Abb.7:** 1. Schraube

- Sichern Sie den Steuerseilzug an den Seilzughaltern.
▶ **Abb.8:** 1. Seilzughalter 2. Steuerseilzug

ANMERKUNG: Vergewissern Sie sich, dass das Steuerkabel sicher am Kabelhalter befestigt ist.

Einstellen des Gürtels und des Schultergurts

- Legen Sie die Maschine an, verriegeln Sie dann die Schnalle des Hüftgurts, und stellen Sie dann die Länge des Hüftgurts ein.
▶ **Abb.9:** 1. Schnalle
- Stellen Sie die Länge des Schultergurts ein.
▶ **Abb.10:** 1. Schultergurt

Einstellen der Position des Steuerhebels

- Lösen Sie die Klemmschraube. Bewegen Sie den Steuergriff entlang des Schwenkrohrs in die bequemste Position, und ziehen Sie dann die Klemmschraube an. Bewegen Sie den Handgriff nicht über die Pfeilmarkierungen hinaus.
▶ **Abb.11:** 1. Steuergriff 2. Schwenkrohr 3. Klemmschraube 4. Pfeilmarkierungen

Anbringen der Diffusionsabdeckung

- Sie können den Nebel zerstreuen, indem Sie die Diffusionsabdeckung an der Enddüse anbringen, wie in der Abbildung gezeigt.
▶ **Abb.12:** 1. Diffusionsabdeckung

Anbringen des Deflektors

Sonderzubehör

- Sie können den Nebel nach oben oder unten ablenken, indem Sie den Deflektor an der Enddüse anbringen, wie in der Abbildung gezeigt.
▶ **Abb.13:** 1. Deflektor

FUNKTIONSBE-SCHREIBUNG

⚠ VORSICHT: Vergewissern Sie sich vor der Durchführung von Einstellungen oder Funktionsprüfungen der Maschine stets, dass die Maschine ausgeschaltet und alle Akkus abgenommen sind.

Anbringen und Abnehmen des Akkus

⚠ VORSICHT: Schalten Sie die Maschine stets aus, bevor Sie den Akku anbringen oder abnehmen.

⚠ VORSICHT: Halten Sie die Maschine und den Akku beim Anbringen oder Abnehmen des Akkus sicher fest. Wenn Sie die Maschine und den Akku nicht sicher festhalten, können sie Ihnen aus den Händen rutschen, was zu einer Beschädigung der Maschine und des Akkus und zu Personenschäden führen kann.

⚠ VORSICHT: Verriegeln Sie unbedingt die Akkuabdeckung vor Gebrauch. Anderenfalls können Schlamm, Schmutz oder Wasser eine Beschädigung des Produkts oder der Akkus verursachen.

⚠ VORSICHT: Schieben Sie die Akkus stets bis zum Anschlag ein, bis die rote Anzeige nicht mehr sichtbar ist. Anderenfalls kann er versehentlich aus der Maschine herausfallen und Sie oder umstehende Personen verletzen.

⚠ VORSICHT: Unterlassen Sie Gewaltanwendung beim Anbringen der Akkus. Falls die Akkus nicht reibungslos hineingleiten, sind sie nicht richtig ausgerichtet.

⚠ VORSICHT: Halten Sie die Akkuabdeckung fest, wenn Sie den Akku installieren oder entfernen.

Zum Einsetzen der Akkus:

1. Ziehen Sie den Verriegelungshebel nach oben, und öffnen Sie dann die Akkuabdeckung.
▶ **Abb.14:** 1. Verriegelungshebel 2. Akkuabdeckung
2. Richten Sie die Feder am Akku auf den Schlitz an der Maschine aus, und schieben Sie dann den Akku hinein, bis er mit einem leisen Klicken einrastet.
▶ **Abb.15:** 1. Akku
3. Schließen Sie die Akkuabdeckung, und drücken Sie sie an, bis sie mit dem Verriegelungshebel einrastet.

Zum Entfernen des Akkus:

1. Ziehen Sie den Verriegelungshebel hoch, und öffnen Sie die Akkuabdeckung.
2. Ziehen Sie den Akku aus der Maschine heraus, während Sie den Knopf an der Vorderseite des Akkus verschieben.
▶ **Abb.16:** 1. Akku
3. Schließen Sie die Akkuabdeckung.

Akku-Prüftaste

Durch Drücken der Akku-Prüftaste können Sie die verbleibende Akkukapazität überprüfen.

▶ **Abb.17:** 1. Akku-Anzeige 2. Akku-Prüftaste

Status der Akku-Anzeige			Akku-Restkapazität
Ein	Aus	Blinkend	
			50% bis 100%
			20% bis 50%
			0% bis 20%

HINWEIS: Die Anzeigelampe für die Akku-Restkapazität dient lediglich als Referenz. Die tatsächliche Akkukapazität kann abhängig von den Benutzungsbedingungen oder der Umgebungstemperatur abweichen.

HINWEIS: Während des Betriebs der Maschine leuchtet die Anzeigelampe nicht auf, falls Sie die Prüftaste drücken.

HINWEIS: Die Lampe erlischt automatisch nach wenigen Sekunden.

HINWEIS: Falls zwei Akkus installiert sind, wird der auf der rechten Seite installierte Akku zuerst benutzt.

HINWEIS: Falls zwei Akkus installiert sind, wechselt die Maschine automatisch den Akku, wenn der benutzte leer ist.

Anzeigen der Akku-Restkapazität

Drücken Sie die Prüftaste am Akku, um die Akku-Restkapazität anzuzeigen. Die Anzeigelampen leuchten wenige Sekunden lang auf.

▶ **Abb.18:** 1. Anzeigelampen 2. Prüftaste

Anzeigelampen			Restkapazität
Erleuchtet	Aus	Blinkend	
			75% bis 100%
			50% bis 75%
			25% bis 50%
			0% bis 25%
			Den Akku aufladen.
			Möglicherweise liegt eine Funktionsstörung im Akku vor.

HINWEIS: Abhängig von den Benutzungsbedingungen und der Umgebungstemperatur kann die Anzeige geringfügig von der tatsächlichen Kapazität abweichen.

HINWEIS: Die erste (äußerste linke) Anzeigelampe blinkt, wenn das Akku-Schutzsystem aktiv ist.

Maschinen-/Akku-Schutzsystem

Die Maschine ist mit einem Maschinen-/Akku-Schutzsystem ausgestattet. Dieses System schaltet die Stromversorgung des Motors automatisch ab, um die Lebensdauer von Maschine und Akku zu verlängern. Die Maschine bleibt während des Betriebs automatisch stehen, wenn die Maschine oder der Akku einer der folgenden Bedingungen unterliegt:

Überlastschutz

Wird die Maschine oder der Akku auf eine Weise benutzt, die eine ungewöhnlich hohe Stromaufnahme bewirkt, bleibt die Maschine automatisch stehen, und die Hauptbetriebslampe blinkt in Grün. Schalten Sie in dieser Situation die Maschine aus, und brechen Sie die Anwendung ab, die eine Überlastung der Maschine verursacht hat. Schalten Sie dann die Maschine wieder ein, um sie neu zu starten.

Überhitzungsschutz

Wenn die Maschine überhitzt wird, bleibt die Maschine automatisch stehen, und die Hauptbetriebslampe leuchtet in Rot auf. Lassen Sie die Maschine und den Akku in diesem Fall abkühlen, bevor Sie die Maschine wieder einschalten.

HINWEIS: Die Hauptbetriebslampe blinkt in Rot, wenn der Akku überhitzt ist.

Überentladungsschutz

Wenn die Akkukapazität nicht ausreicht, bleibt die Maschine automatisch stehen, und die Hauptbetriebslampe blinkt in Rot. Entfernen Sie in diesem Fall den Akku von der Maschine, und laden Sie den Akku auf, oder tauschen Sie den Akku gegen einen voll aufgeladenen aus.

Schutz gegen andere Ursachen

Das Schutzsystem ist auch für andere Ursachen ausgelegt, die eine Beschädigung der Maschine bewirken könnten, und ermöglicht automatisches Anhalten der Maschine. Führen Sie alle folgenden Schritte aus, um die Ursachen zu beseitigen, wenn die Maschine zu einem vorübergehenden Stillstand oder Betriebsstopp gekommen ist.

1. Schalten Sie die Maschine aus und wieder ein, um sie neu zu starten.
2. Laden Sie den/die Akku(s) auf, oder tauschen Sie ihn/sie gegen einen aufgeladenen Akku/aufgeladene Akkus aus.
3. Lassen Sie die Maschine und den/die Akku(s) abkühlen.

Falls die Wiederherstellung des Schutzsystems keine Besserung bringt, wenden Sie sich an Ihre lokale Makita-Kundendienststelle.

ANMERKUNG: Falls die Maschine wegen einer oben nicht beschriebenen Ursache stehen bleibt, nehmen Sie auf den Abschnitt zur Fehlersuche Bezug.

Hauptbetriebsschalter

⚠️ WARNUNG: Schalten Sie den Hauptbetriebsschalter stets aus, wenn das Werkzeug nicht benutzt wird.

Zum Einschalten der Maschine drücken Sie den Hauptbetriebsschalter. Die Lampen leuchten in Grün auf. Zum Ausschalten halten Sie den Hauptbetriebsschalter gedrückt, bis die Lampen erlöschen.

- **Abb.19:** 1. Drehzahlanzeige
2. Hauptbetriebsschalter

Die Drehzahl kann in drei Stufen verstellt werden. Um den Drehzahlmodus zu ändern, drücken Sie den Hauptbetriebsschalter. Wenn Sie den Drehzahlmodus ändern, leuchten die entsprechenden Drehzahlanzeigen auf.

HINWEIS: Die Maschine verwendet die Abschaltautomatik. Um unbeabsichtigtes Anlaufen zu vermeiden, wird der Hauptbetriebsschalter automatisch abgeschaltet, wenn die Maschine eine bestimmte Zeitlang nach dem Einschalten des Hauptbetriebsschalters nicht betrieben wird.

HINWEIS: Falls die Hauptbetriebslampe in Rot aufleuchtet oder in Rot oder Grün blinkt, nehmen Sie auf die Anweisungen für das Maschinen-/Akku-Schutzsystem Bezug.

Schalterfunktion

⚠️ WARNUNG: Vergewissern Sie sich vor dem Anbringen des Akkus an der Maschine stets, dass der Auslöseschalter ordnungsgemäß funktioniert und beim Loslassen in die AUS-Stellung zurückkehrt.

Um die Maschine zu starten, betätigen Sie den Auslöseschalter, während Sie den Aktivierungshebel ziehen. Die Drehzahl erhöht sich durch verstärkte Druckausübung auf den Auslöseschalter. Zum Anhalten lassen Sie den Auslöseschalter los.

- **Abb.20:** 1. Ein-Aus-Schalter 2. Aktivierungshebel

Öffnen und Schließen der Hebel

Die Maschine ist mit drei Hebeln ausgestattet.

Düsenhebel

Der Düsenhebel wird zum Versprühen von Nebel verwendet. Schließen Sie den Düsenhebel im Normalfall und öffnen Sie ihn nur, wenn Sie Nebel versprühen.

- **Abb.21:** 1. Geschlossen 2. Offen

Ablassehebel

Der Ablassehebel wird zum Ablassen der Flüssigkeit im Tank verwendet. Beim Betrieb der Maschine sollten Sie

den Hebel immer schließen.

► **Abb.22:** 1. Geschlossen 2. Offen

Tankhebel

Der Tankhebel wird beim Auswechseln des Filters verwendet. Beim Betrieb der Maschine sollten Sie den Hebel immer öffnen.

► **Abb.23:** 1. Geschlossen 2. Offen

Fördermengen-Einstellknopf

Sie können die der Enddüse zugeführte Flüssigkeitsmenge einstellen. Um die maximale Flüssigkeitsmenge zuzuführen, drehen Sie den Knopf so, dass die Zahl „4“ auf die Dreiecksmarkierung ausgerichtet ist. Um die minimale Flüssigkeitsmenge zuzuführen, drehen Sie den Knopf so, dass die Zahl „1“ auf die Dreiecksmarkierung ausgerichtet ist.

► **Abb.24:** 1. Fördermengen-Einstellknopf
2. Dreiecksmarkierung

Elektronikfunktionen

Für komfortablen Betrieb ist die Maschine mit einer Elektronikfunktion ausgestattet.

- **Konstantdrehzahlregelung**
Die Drehzahlregelungsfunktion liefert eine konstante Drehzahl ungeachtet der Lastbedingungen.
- **Funktion des Speiseventils**
Die Maschine ist mit einem Speiseventil ausgestattet. Wenn der Auslöseschalter betätigt wird, öffnet sich das Speiseventil automatisch, um die Flüssigkeit im Tank zu leiten, und es schließt sich automatisch, wenn der Auslöseschalter losgelassen wird.

Funktion zur Verhütung eines versehentlichen Wiederanlaufs

Wenn Sie die Maschine einschalten, während Sie den Aktivierungshebel und den Auslöseschalter betätigen, startet die Maschine nicht und die Hauptbetriebslampe blinkt in Grün. Um die Maschine zu starten, lassen Sie zunächst den Auslöseschalter los und schalten Sie dann die Maschine ein.

BETRIEB

▲VORSICHT: Achten Sie beim Anlegen der Maschine darauf, dass der Schultergurt auf beiden Schultern ruht. Andernfalls kann die Maschine beim Anlegen oder Benutzen der Maschine herunterfallen und Verletzungen verursachen.

▲VORSICHT: Achten Sie beim Anlegen der Maschine darauf, dass Sie die Maschine auf Ihrem Rücken anlegen. Andernfalls kann die Maschine während des Betriebs herunterfallen und eine Verletzung verursachen.

▲VORSICHT: Legen Sie die Maschine nicht im laufenden Zustand auf den Boden. Sand oder Staub können durch den Saugeinlass eindringen und eine Funktionsstörung oder Personenschäden verursachen.

Stellen Sie vor dem Betrieb der Maschine die Länge des Schultergurts und des Hüftgurts ein.

1. Stellen Sie die Maschine auf eine ebene und stabile Fläche.
2. Vergewissern Sie sich, dass die Hebel in den folgenden Positionen stehen.
 - Der Ablasshebel ist in der geschlossenen Position.► **Abb.25:** 1. Ablasshebel
 - Der Tankhebel ist in der offenen Position.► **Abb.26:** 1. Tankhebel
 - Der Düsenhebel ist in der geschlossenen Position.► **Abb.27:** 1. Düsenhebel
3. Öffnen Sie den Tankdeckel, und setzen Sie das Sieb ein.
► **Abb.28:** 1. Tankdeckel 2. Sieb
4. Füllen Sie die Flüssigkeit in den Tank ein, und ziehen Sie dann den Tankdeckel an.
► **Abb.29**
5. Legen Sie die Maschine an, und verriegeln Sie die Schnalle des Hüftgurts.
6. Drehen Sie den Düsenhebel so, dass er sich in der offenen Position befindet.
► **Abb.30:** 1. Düsenhebel
7. Schalten Sie die Maschine ein, halten Sie dann den Steuergriff fest, und führen Sie den Sprühbetrieb durch.
Drehen Sie den Düsenhebel nach dem Betrieb so, dass er sich in der geschlossenen Position befindet.
Wenn Sie die Maschine absetzen, entriegeln Sie die Schnalle des Hüftgurts, und setzen Sie dann die Maschine langsam ab.
► **Abb.31:** 1. Schnalle

HINWEIS: Sie können die Flüssigkeit im Tank umrühren, indem Sie das Sieb wie in der Abbildung gezeigt durchdrehen.

► **Abb.32:** 1. Sieb

WARTUNG

⚠ VORSICHT: Vergewissern Sie sich immer, dass alle Akkus aus der Maschine entfernt sind, bevor Sie die Maschine lagern oder transportieren oder sich anschicken, eine Inspektion oder Wartung durchzuführen.

Um die SICHERHEIT und ZUVERLÄSSIGKEIT dieses Produkts zu gewährleisten, sollten Reparaturen und andere Wartungs- oder Einstellarbeiten nur von Makita-Vertragswerkstätten oder Makita-Kundendienstzentren unter ausschließlicher Verwendung von Makita-Originalersatzteilen ausgeführt werden.

Ablassen der Flüssigkeit

Um die Flüssigkeit im Tank abzulassen, entfernen Sie den Schlauch vom Hauptgerät, und lassen Sie dann die Flüssigkeit im Tank durch Öffnen des Ablasshebels in den Behälter ab. Achten Sie nach dem Ablassen der Flüssigkeit darauf, den Ablasshebel zu schließen, und bringen Sie den Schlauch am Hauptgerät an.

► **Abb.33:** 1. Ablasshebel 2. Schlauch

HINWEIS: Um den Tank vollständig zu leeren, kippen Sie das Hauptgerät leicht in Richtung des Auslasses des Schlauchs.

Reinigen der Maschine

ANMERKUNG: Verwenden Sie auf keinen Fall Benzin, Waschbenzin, Verdünnern, Alkohol oder dergleichen. Solche Mittel können Verfärbung, Verformung oder Rissbildung verursachen.

Reinigen Sie die Maschine, indem Sie sie mit einem trockenen oder einem in Seifenwasser getauchten und ausgewringenen Tuch abwischen.

Entfernen Sie Staub oder Schmutz vom Saugeinlass.

► **Abb.34:** 1. Saugeinlass

Reinigen des Filters

Reinigen Sie den Filter regelmäßig. Führen Sie zum Reinigen des Filters die folgenden Schritte aus.

1. Nehmen Sie die Akkus heraus, und schließen Sie dann den Tankhebel.
2. Entfernen Sie den Filterdeckel durch Drehen entgegen dem Uhrzeigersinn, und nehmen Sie den Filter heraus.

► **Abb.35:** 1. Filterdeckel 2. Filter

3. Reinigen Sie den Filter mit fließendem Wasser.
4. Bringen Sie den Filter am Hauptgerät an, und ziehen Sie dann den Filterdeckel an.
5. Öffnen Sie den Tankhebel.

Lagerung

Bevor Sie die Maschine lagern, führen Sie eine vollständige Wartung durch. Lagern Sie die Maschine an einem Ort, der für Kinder unzugänglich ist und weder Feuchtigkeit noch Regen oder direktem Sonnenlicht ausgesetzt ist.

Sie können das Band des Rohrs wie in der Abbildung gezeigt an die Maschine anschließen, um das Rohr aufzurichten.

► **Abb.36:** 1. Band

Austauschen der Düse

Sie können die serienmäßige Düse gegen die ULV-Düse (Ultra Low Volume) austauschen. Die ULV-Düse kann feineren Nebel ausstoßen als die serienmäßige Düse. Führen Sie zum Austauschen der Düse die folgenden Schritte aus.

1. Lösen Sie die Schraube und entfernen Sie sie, und nehmen Sie dann die Vorderseite der Enddüse ab.

► **Abb.37:** 1. Schraube 2. Enddüse

2. Entfernen Sie die serienmäßige Düse durch Drehen entgegen dem Uhrzeigersinn mit Hilfe des Schraubenschlüssels.

► **Abb.38:** 1. Schraubenschlüssel 2. Serienmäßige Düse

3. Entfernen Sie den O-Ring von der serienmäßigen Düse, und bringen Sie ihn dann an der ULV-Düse an.

► **Abb.39:** 1. O-Ring 2. Serienmäßige Düse
3. ULV-Düse

4. Befestigen Sie die ULV-Düse, indem Sie die Düse durch Drehen mit Hilfe des Schraubenschlüssels im Uhrzeigersinn drehen.

► **Abb.40:** 1. Schraubenschlüssel 2. ULV-Düse

ANMERKUNG: Ziehen Sie die Düse nicht zu fest an. Das empfohlene Anzugsdrehmoment beträgt etwa **1,0 N·m**. Durch zu starkes Anziehen der Düse kann das Befestigungsteil für die Düse beschädigt werden.

5. Bringen Sie die Enddüse an, und ziehen Sie dann die Schraube an.

► **Abb.41:** 1. Schraube 2. Enddüse

FEHLERSUCHE

Bevor Sie den Reparaturdienst anrufen, führen Sie zunächst Ihre eigene Inspektion durch. Falls Sie ein Problem finden, das nicht in der Anleitung erläutert wird, versuchen Sie nicht, die Maschine zu zerlegen. Wenden Sie sich stattdessen an autorisierte Makita-Kundendienstzentren, und achten Sie darauf, dass stets Makita-Ersatzteile für Reparaturen verwendet werden.

Zustand der Unregelmäßigkeit	Wahrscheinliche Ursache (Funktionsstörung)	Abhilfemaßnahme
Der Motor läuft nicht.	Es ist kein Akku installiert.	Installieren Sie den Akku.
	Akkustörung (Unterspannung)	Den Akku aufladen. Falls Laden nichts nützt, den Akku austauschen.
	Das Antriebssystem funktioniert nicht korrekt.	Wenden Sie sich bezüglich einer Reparatur an Ihr autorisiertes Kundendienstzentrum.
Der Motor bleibt nach kurzer Zeit stehen.	Der Ladezustand des Akkus ist niedrig.	Den Akku aufladen. Falls Laden nichts nützt, den Akku austauschen.
	Überhitzung.	Brechen Sie die Benutzung der Maschine ab, um sie abkühlen zu lassen.
Es wird kein Nebel versprüht.	Der Tank ist leer.	Füllen Sie den Tank mit Flüssigkeit.
	Der Düsenhebel oder der Tankhebel ist geschlossen.	Öffnen Sie den Düsenhebel und den Tankhebel.
	Die Düse ist verstopft.	Entfernen Sie die serienmäßige Düse oder die ULV-Düse, und reinigen Sie die Düse mit fließendem Wasser, um die Verstopfung zu entfernen.
	Der Filter ist verstopft.	Nehmen Sie den Filter heraus, und reinigen Sie ihn anschließend unter fließendem Wasser, um die Verstopfung zu entfernen.
Die Maschine erreicht die Maximaldrehzahl nicht.	Der Akku ist falsch eingesetzt.	Installieren Sie den Akku gemäß der Beschreibung in dieser Anleitung.
	Die Akkuleistung lässt nach.	Den Akku aufladen. Falls Laden nichts nützt, den Akku austauschen.
	Das Antriebssystem funktioniert nicht korrekt.	Wenden Sie sich bezüglich einer Reparatur an Ihr autorisiertes Kundendienstzentrum.
Ungewöhnliche Vibration: ⇒ Die Maschine unverzüglich stoppen!	Das Antriebssystem funktioniert nicht korrekt.	Wenden Sie sich bezüglich einer Reparatur an Ihr autorisiertes Kundendienstzentrum.
Der Motor bleibt nicht stehen: ⇒ Den Akku unverzüglich entfernen!	Funktionsstörung der Elektrik oder Elektronik.	Entfernen Sie den Akku, und wenden Sie sich bezüglich einer Reparatur an Ihr autorisiertes Kundendienstzentrum.

SONDERZUBEHÖR

⚠ VORSICHT: Die folgenden Zubehörteile oder Vorrichtungen werden für den Einsatz mit dem in dieser Anleitung beschriebenen Makita-Produkt empfohlen. Die Verwendung anderer Zubehörteile oder Vorrichtungen kann eine Verletzungsgefahr darstellen. Verwenden Sie Zubehörteile oder Vorrichtungen nur für ihren vorgesehenen Zweck.

Wenn Sie weitere Einzelheiten bezüglich dieser Zubehörteile benötigen, wenden Sie sich bitte an Ihre Makita-Kundendienststelle.

- Deflektor
- Original-Makita-Akku und -Ladegerät

HINWEIS: Manche Teile in der Liste können als Standardzubehör im Produktpaket enthalten sein. Sie können von Land zu Land unterschiedlich sein.

DATI TECNICI

Modello:		PM001G
Capacità	Volume d'aria	7,4 - 14,3 m ³ /min *1
	Velocità dell'aria (media)	28,0 - 53,0 m/s
	Velocità dell'aria (max.)	34,0 - 64,0 m/s
Capacità del serbatoio		15 l
Volume del residuo totale		Pari o inferiore a 50 ml
Dimensioni (L x P x A) (con bocchetta finale)		320 mm x 600 mm x 690 mm
Tensione nominale		36 V - 40 V CC max
Peso netto	*2	11,9 kg
	*3	Da 12,8 a 15,7 kg
Grado di protezione		IPX4

- A causa del nostro programma continuativo di ricerca e sviluppo, i dati tecnici sono soggetti a modifiche senza preavviso.
- I dati tecnici possono variare da nazione a nazione.

*1: la portata d'aria massima è 858 m³/h.

*2: peso con serbatoio vuoto, senza batterie e con tubi, ugello e imbracature.

*3: la combinazione più leggera e più pesante di peso, in base alla EPTA-Procedure 01/2014. Il peso può variare a seconda dell'accessorio o degli accessori, inclusa la cartuccia o le cartucce delle batterie.

Cartuccia della batteria e caricabatterie applicabili

Cartuccia della batteria	BL4040F / BL4050F / BL4080F
Caricabatterie	DC40RA / DC40RB / DC40RC / DC40WA

- Alcune cartucce delle batterie e alcuni caricabatterie elencati sopra potrebbero non essere disponibili a seconda della propria area geografica di residenza.

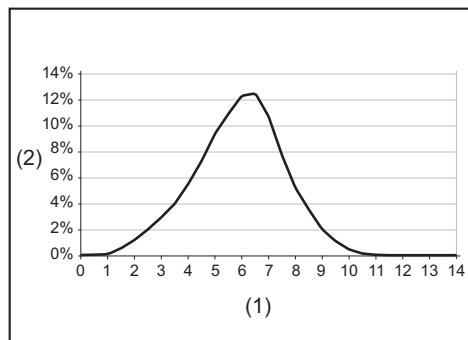
⚠AVVERTIMENTO: Utilizzare solo le cartucce delle batterie e i caricabatterie elencati sopra. L'utilizzo di altre cartucce delle batterie e di altri caricabatterie potrebbe causare lesioni personali e/o un incendio.

⚠AVVERTIMENTO: Non utilizzare un alimentatore con cavo, ad esempio un gruppo di alimentazione portatile, insieme a questa macchina.

Dati tecnici relativi all'irrorazione

(2) Percentuale del mezzo depositata sul suolo

Gittata dello spruzzo in orizzontale



(1) Distanza dall'erogazione del flusso (m)

Dimensione delle goccioline

Dimensione delle goccioline con ugello standard

Impostazione della manopola di regolazione	Dv 0.1	Dv 0.5	Dv 0.9
1	22 µm	57 µm	112 µm
2	37 µm	102 µm	251 µm
3	40 µm	111 µm	267 µm
4	42 µm	115 µm	280 µm

Dimensione delle goccioline con ugello ULV

Impostazione della manopola di regolazione	Dv 0.1	Dv 0.5	Dv 0.9
1 - 4	14 µm	41 µm	85 µm

Velocità di scarico per le posizioni di lavoro

► Fig.1

Velocità di scarico con ugello standard

Impostazione della manopola di regolazione	Angolazione dell'ugello		
	- 30°	0°	30°
1	0,23 l/min	0,19 l/min	0,12 l/min
2	1,13 l/min	0,71 l/min	0,34 l/min
3	1,37 l/min	0,95 l/min	0,49 l/min
4	1,55 l/min	1,21 l/min	0,51 l/min

Velocità di scarico con ugello ULV

Impostazione della manopola di regolazione	Angolazione dell'ugello		
	- 30°	0°	30°
1 - 4	0,05 l/min	0,04 l/min	0,03 l/min

NOTA: I valori in questi dati tecnici di irrorazione possono variare a seconda delle condizioni di lavoro o della temperatura ambiente.

Simboli

Le figure seguenti mostrano i simboli utilizzati per l'apparecchio. Accertarsi di comprenderne il significato prima dell'uso.

	Adottare cura e attenzione particolari.
	Leggere il manuale d'uso.
	Indossare protezioni per gli occhi e le orecchie.
	Indossare una protezione per la respirazione.
	Non esporre all'umidità.
	Indossare stivali robusti con soles antiscivolo. Si consiglia l'utilizzo di stivali antinfurtunistici con puntale in acciaio.
	Indossare guanti protettivi.
	Indossare indumenti protettivi.
	Tenere lontani gli astanti durante l'irrorazione.
	Tenere le mani lontane dalle parti rotanti.
	I capelli lunghi possono causare incidenti restando impigliati.
	Tenere lontani gli astanti.
	Peso con il serbatoio vuoto.



Peso con il serbatoio pieno.



Solo per le nazioni dell'EU
A causa della presenza di componenti pericolosi nelle apparecchiature, i rifiuti di apparecchiature elettriche ed elettroniche, accumulatori e batterie potrebbero produrre un impatto negativo sull'ambiente e sulla salute umana.

Non smaltire elettrodomestici elettrici ed elettronici o batterie insieme ai rifiuti domestici!

In conformità alla direttiva europea sui rifiuti di apparecchiature elettriche ed elettroniche (RAEE), sugli accumulatori e le batterie, nonché sui rifiuti di accumulatori e batterie, e al suo adattamento alle normative nazionali, i rifiuti di apparecchiature elettriche ed elettroniche, batterie e accumulatori vanno conservati separatamente e conferiti a un punto di raccolta separato per i rifiuti comunali, operando in conformità alle normative per la protezione dell'ambiente.

Tale requisito viene indicato mediante il simbolo del bidone della spazzatura con ruote barrato apposto sull'apparecchio.



Livello di potenza sonora garantita in base alla Direttiva rumore macchine all'aperto UE.



Livello di potenza sonora in base alla normativa sul controllo del rumore NSW australiana

Utilizzo previsto

La macchina è destinata alla nebulizzazione.

Rumore

Livello tipico di rumore pesato A determinato in base allo standard ISO22868:

Livello di pressione sonora (L_{pA}) : 84,5 dB (A)

Livello di potenza sonora (L_{WA}) : 103,3 dB (A)

Incertezza (K): 2,3 dB (A)

NOTA: Il valore o i valori dichiarati delle emissioni di rumori sono stati misurati in conformità a un metodo standard di verifica, e possono essere utilizzati per confrontare un utensile con un altro.

NOTA: Il valore o i valori dichiarati delle emissioni di rumori possono venire utilizzati anche per una valutazione preliminare dell'esposizione.

⚠AVVERTIMENTO: Indossare protezioni per le orecchie.

⚠AVVERTIMENTO: L'emissione di rumori durante l'utilizzo effettivo dell'utensile elettrico può variare rispetto al valore o ai valori dichiarati, a seconda dei modi in cui viene utilizzato l'utensile e specialmente a seconda di che tipo di pezzo venga lavorato.

⚠AVVERTIMENTO: Accertarsi di identificare misure di sicurezza per la protezione dell'operatore che siano basate su una stima dell'esposizione nelle condizioni effettive di utilizzo (tenendo conto di tutte le parti del ciclo operativo, ad esempio del numero di spegnimenti dell'utensile e di quando giri a vuoto, oltre al tempo di attivazione).

Vibrazioni

Valore totale delle vibrazioni (somma vettoriale triassiale) determinato in base allo standard ISO22867: Modalità di lavoro: funzionamento a vuoto
Emissione di vibrazioni (a_h): $2,5 \text{ m/s}^2$ o inferiore
Incertezza (K): $1,5 \text{ m/s}^2$

NOTA: Il valore o i valori complessivi delle vibrazioni dichiarati sono stati misurati in conformità a un metodo standard di verifica, e possono essere utilizzati per confrontare un utensile con un altro.

NOTA: Il valore o i valori complessivi delle vibrazioni dichiarati possono venire utilizzati anche per una valutazione preliminare dell'esposizione.

⚠AVVERTIMENTO: L'emissione delle vibrazioni durante l'utilizzo effettivo dell'utensile elettrico può variare rispetto al valore o ai valori dichiarati, a seconda dei modi in cui viene utilizzato l'utensile, specialmente a seconda di che tipo di pezzo venga lavorato.

⚠AVVERTIMENTO: Accertarsi di identificare misure di sicurezza per la protezione dell'operatore che siano basate su una stima dell'esposizione nelle condizioni effettive di utilizzo (tenendo conto di tutte le parti del ciclo operativo, ad esempio del numero di spegnimenti dell'utensile e di quando giri a vuoto, oltre al tempo di attivazione).

Dichiarazioni di conformità

Solo per i paesi europei

Le Dichiarazioni di conformità sono incluse nell'Allegato A al presente manuale d'uso.

AVVERTENZE DI SICUREZZA

Avvertenze generali relative alla sicurezza dell'utensile elettrico

⚠AVVERTIMENTO Leggere tutte le avvertenze di sicurezza, le istruzioni, le illustrazioni e i dati tecnici forniti insieme a questo utensile elettrico. La mancata osservanza di tutte le istruzioni seguenti potrebbe risultare in scosse elettriche, incendi e/o gravi lesioni personali.

Conservare tutte le avvertenze e le istruzioni come riferimento futuro.

Il termine "utensile elettrico" nelle avvertenze si riferisce sia all'utensile elettrico (cablato) nel funzionamento alimentato da rete elettrica che all'utensile elettrico (a batteria) nel funzionamento alimentato a batteria.

Istruzioni di sicurezza relative all'atomizzatore spalleggiato a batteria

⚠AVVERTIMENTO: Leggere tutte le avvertenze relative alla sicurezza e tutte le istruzioni. La mancata osservanza delle avvertenze e delle istruzioni può risultare in scosse elettriche, incendi e/o gravi lesioni personali.

Conservare tutte le avvertenze e le istruzioni come riferimento futuro.

Istruzioni generali

1. Per garantire un funzionamento corretto e sicuro, l'utente deve leggere, comprendere e seguire il presente manuale d'uso, per assicurare la familiarità nel maneggiare la macchina. Gli utenti che non siano sufficientemente informati rischiano di mettere in pericolo se stessi e gli altri maneggiando la macchina in modo improprio.
2. Si consiglia di prestare la macchina esclusivamente a persone di collaudata esperienza con gli atomizzatori.
3. L'utilizzo della macchina non deve essere consentito a bambini e giovani di età inferiore ai 18 anni. Le persone di età superiore a 16 anni, tuttavia, possono utilizzare la macchina allo scopo di essere addestrate, solo sotto la supervisione diretta di un istruttore qualificato.
4. Utilizzare esclusivamente prodotti per la protezione delle piante specificamente approvati dal fabbricante per l'utilizzo con gli atomizzatori, e che soddisfino tutte le normative, gli standard e le ordinanze sulla sicurezza applicabili.
5. Tutto il personale destinato all'uso e all'assistenza deve essere addestrato e deve aver familiarizzato con le procedure appropriate per maneggiare i prodotti chimici utilizzati, nonché con le normative sullo smaltimento dei prodotti chimici liquidi.

6. Per ridurre il rischio di lesioni personali durante l'utilizzo di prodotti chimici, indossare indumenti protettivi appropriati durante il riempimento, l'utilizzo e la pulizia dell'atomizzatore. Attenersi sempre a tutte le istruzioni del fabbricante dei prodotti chimici relativamente alla protezione appropriata per gli occhi, la pelle e la respirazione.
7. Quando si utilizzano prodotti chimici tossici, l'operatore e qualsiasi astante potrebbero dover indossare un respiratore della taglia adeguata per il prodotto chimico utilizzato. Fare riferimento all'etichetta del prodotto chimico. La respirazione di prodotti chimici tossici può causare lesioni personali gravi o letali.

Uso previsto della macchina

1. La macchina è destinata esclusivamente all'irruzione di prodotti chimici liquidi e di altri liquidi per la disinfezione di parassiti ed erbacce nei giardini di frutta, fiori e vegetali, su alberi e cespugli e su altre piante, quali caffè, tabacco e cotone. Inoltre, è utile per la manutenzione degli alberi giovani, per la disinfezione di scolitidi e altri parassiti, nonché per le malattie delle piante. Non utilizzarla mai per altri scopi.

Addestramento

1. Leggere con attenzione le istruzioni. Familiarizzare con i controlli e con l'utilizzo corretto della macchina.
2. Non consentire mai l'utilizzo della macchina a bambini, persone con capacità fisiche, sensoriali o mentali ridotte, o con carenza di esperienza e preparazione, né a persone che non abbiano familiarità con le presenti istruzioni. Le normative locali potrebbero limitare l'età dell'operatore.
3. Non utilizzare mai la macchina mentre nelle vicinanze sono presenti persone, specialmente bambini, o animali.
4. Tenere a mente che l'operatore o l'utente è responsabile per eventuali incidenti o pericoli che si verificano nei confronti di altre persone o delle loro proprietà.

Preparazione

1. Indossare sempre calzature robuste e pantaloni lunghi mentre si utilizza la macchina.
2. Non indossare indumenti abbondanti o gioielli che potrebbero venire attirati nella presa d'aria. Tenere lontani i capelli lunghi dalle prese d'aria.
3. Per evitare l'irritazione dovuta alle polveri, si consiglia di indossare una visiera.
4. Durante l'uso della macchina, indossare sempre calzature antiscivolo e protettive. Stivali e scarpe protettivi antiscivolo a punta chiusa riducono il rischio di lesioni personali.
5. Indossare sempre guanti e stivali di gomma o resistenti ai prodotti chimici, quando si lavora con la macchina.

Come maneggiare i prodotti chimici

1. Alcuni prodotti chimici potrebbero contenere sostanze tossiche e/o caustiche. Tali prodotti chimici possono essere pericolosi e causare lesioni gravi o letali a persone e animali, e/o danni gravi alle piante e all'ambiente. Evitare il

contatto diretto con i prodotti chimici. Seguire le istruzioni del fabbricante dei prodotti chimici relativamente a qualsiasi contatto con il suo prodotto.

2. Leggere l'etichetta e il manuale d'uso del fabbricante ogni volta, prima di miscelare o utilizzare il prodotto chimico e prima di conservarlo o smaltirlo. Un utilizzo negligente o inadeguato potrebbe causare lesioni gravi o letali.
3. Leggere con attenzione le etichette sui contenitori dei prodotti chimici prima dell'uso. I prodotti chimici sono classificati in categorie di tossicità. Ciascuna categoria ha le proprie caratteristiche di utilizzo univoche. Familiarizzare con le caratteristiche della categoria del prodotto chimico che si intende utilizzare. I prodotti chimici possono venire utilizzati esclusivamente da persone addestrate sul loro utilizzo e sulle misure di pronto soccorso appropriate.
4. I prodotti chimici possono essere pericolosi per le persone, gli animali e l'ambiente, se utilizzati in modo errato. Si consiglia di non utilizzare prodotti chimici che siano caustici, corrosivi o velenosi con la macchina.
5. Miscelare solo pesticidi compatibili. Delle miscele errate possono produrre fumi tossici. Quando si intende maneggiare e irrorare prodotti chimici, accertarsi di operare in conformità alle proprie normative e linee guida locali sulla protezione dell'ambiente. Non irrorare in presenza di vento. Per contribuire a proteggere l'ambiente, utilizzare solo le dosi consigliate.
6. Evitare di aprire la bocca, ad esempio per mangiare, bere o fumare, mentre si maneggiano prodotti chimici o durante l'irrorazione. Non soffiare mai attraverso ugelli, tubi, tubazioni o qualsiasi altro componente con la bocca. Maneggiare sempre i prodotti chimici in un'area ben ventilata, mentre si indossano indumenti protettivi e attrezzature di sicurezza appropriati.
7. Non conservare né trasportare prodotti chimici assieme ad alimenti, bevande o medicinali, né riutilizzare mai un contenitore di prodotti chimici per altri scopi. Non trasferire prodotti chimici liquidi in altri contenitori, specialmente in contenitori di alimenti e/o bevande.
8. Tenere l'etichetta del prodotto pronta per la lettura o per mostrarla alle persone che si intende consultare. Pulire immediatamente tutte le fuoriuscite di prodotti chimici. In caso di contatto o ingestione accidentale di prodotti chimici, o in caso di contaminazione degli indumenti, interrompere il lavoro e consultare immediatamente le istruzioni del fabbricante del prodotto chimico. In caso di dubbi su cosa fare, rivolgersi immediatamente a un medico o a un centro antiveleni per richiedere consigli.
9. Smaltire qualsiasi residuo in osservanza delle leggi e delle normative della propria area geografica di residenza.
10. Tenere i prodotti chimici fuori dalla portata di bambini, altre persone non autorizzate e animali. Quando i prodotti chimici non sono utilizzati, conservarli in un luogo sicuro e chiuso a chiave. Per la conservazione corretta, attenersi ai consigli del fabbricante.

Preparazione dei prodotti chimici

1. Preparare le soluzioni dei prodotti chimici attenendosi alle istruzioni del fabbricante dei prodotti chimici.
2. Preparare esclusivamente una quantità di soluzione sufficiente per il lavoro in corso, in modo che non resti soluzione residua.
3. Miscelare i prodotti chimici solo attenendosi alle istruzioni. Delle miscele errate possono produrre fumi tossici o miscele esplosive.
4. Non spruzzare mai prodotti chimici non diluiti.
5. Preparare la soluzione e riempire il contenitore all'aperto, esclusivamente in un'ubicazione ben ventilata.

Conservazione dei prodotti chimici

1. Non conservare la soluzione per irrorazione nel contenitore per più di un giorno.
2. Conservare e trasportare sempre la soluzione per irrorazione esclusivamente in contenitori omologati.
3. Non conservare né trasportare mai la soluzione per irrorazione in contenitori destinati ad alimenti, bevande o mangime per animali.
4. Non conservare né trasportare la soluzione per irrorazione insieme ad alimenti, bevande o mangime per animali.
5. Tenere la soluzione per irrorazione fuori dalla portata di bambini, altre persone non autorizzate e animali.
6. Conservare la soluzione per irrorazione in un'ubicazione chiusa a chiave e protetta dall'utilizzo non autorizzato.

Smaltimento dei prodotti chimici

1. Non smaltire mai i residui chimici di soluzioni di lavaggio contaminate in corsi d'acqua, scarichi, fogne, cunette stradali, tombini o simili.
2. Quando si intende smaltire risciacqui contaminati, attenersi a tutte le leggi, le normative e le ordinanze applicabili.
3. Attenersi rigorosamente alle istruzioni precauzionali del fabbricante del prodotto chimico.

Riempimento del serbatoio

1. Accertarsi che la leva di scarico e la leva dell'ugello siano chiuse.
2. Prima di utilizzare l'atomizzatore con prodotti chimici, riempire il serbatoio con acqua dolce per accertarsi di averlo assemblato correttamente, e fare pratica con l'irrorazione. Inoltre, controllare la presenza di eventuali perdite, in questa fase. Quando si ha la piena familiarità con il funzionamento dell'atomizzatore, attenersi alle normali procedure d'uso.
3. Riempire il serbatoio in aree ben ventilate o all'aperto.
4. Non utilizzare materiali infiammabili nell'atomizzatore, che potrebbero causare un'esplosione e, di conseguenza, lesioni gravi o letali.
5. Non utilizzare materiali caustici o corrosivi nell'atomizzatore, che potrebbero causare il danneggiamento della macchina.
6. Non utilizzare liquidi la cui temperatura superi i 50 °C (122 °F), per ridurre il rischio di scottature e danneggiamento della macchina.

7. Per riempire il serbatoio, appoggiare l'atomizzatore su una superficie piana. Per ridurre il rischio di contaminare l'ambiente circostante, fare attenzione a non riempire eccessivamente il serbatoio con la soluzione chimica.
8. Per ridurre il rischio di lesioni personali, non riempire il serbatoio mentre si indossa la macchina sulla propria schiena.
9. Se si riempie il contenitore della soluzione con un tubo flessibile montato su una fonte di alimentazione dell'acqua centralizzata, accertarsi che l'estremità del tubo flessibile sia fuori dalla soluzione, per ridurre il rischio di riflusso.
10. Calcolare la quantità corretta di soluzione chimica, in modo che venga utilizzata tutta contemporaneamente, senza far restare soluzione in eccesso nel serbatoio.
11. Dopo il riempimento, serrare saldamente il tappo del serbatoio.
12. Controllare l'eventuale presenza di perdite durante il riempimento e durante l'uso. Una perdita dal serbatoio o da un raccordo allentato potrebbe innescare gli indumenti ed entrare in contatto con la pelle dell'utilizzatore.
13. Riempire il serbatoio con liquidi in base alla taglia corporea o alla forza dell'operatore.

Funzionamento

1. Spegnerla macchina e rimuovere le cartucce delle batterie, quindi accertarsi che tutte le parti mobili si siano arrestate completamente
 - ogni volta che si abbandona la macchina.
 - prima di pulire ostruzioni;
 - prima di controllare, pulire o lavorare sulla macchina.
 - qualora la macchina inizi a vibrare in modo anomalo.
2. Far funzionare la macchina solo sotto luce solare o una buona illuminazione artificiale.
3. Non sporgersi, e mantenere un equilibrio e una posizione sui piedi corretti in qualsiasi momento.
4. Accertarsi sempre di mantenere i piedi appoggiati saldamente sui pendii.
5. Camminare, non correre mai.
6. Mantenere tutte le prese d'aria di raffreddamento prive di detriti.
7. Non irrorare mai nella direzione degli astanti.
8. Far funzionare la macchina in una posizione consigliata e su una superficie stabile.
9. Non far funzionare la macchina in ubicazioni elevate.
10. Non puntare mai l'ugello verso alcuna persona nelle vicinanze, quando si sta utilizzando la macchina.
11. Non ostruire mai l'apertura di aspirazione e/o l'apertura di uscita dell'atomizzatore.
 - Fare attenzione a non ostruire l'apertura di aspirazione e l'apertura di uscita dell'atomizzatore con polveri o sporco, quando si lavora in un'area polverosa.
 - Non utilizzare bocchette diverse da quelle fornite da Makita.

12. Non far funzionare la macchina in prossimità di finestre aperte, e così via.
13. Si consiglia di utilizzare la macchina solo in orari ragionevoli, non la mattina presto o la sera tardi, quando si potrebbe arrecare disturbo alle persone.
14. Qualora la macchina colpisca corpi estranei o inizi a produrre rumori o vibrazioni anomali, spegnere immediatamente la macchina per arrestarla. Rimuovere le cartucce delle batterie dalla macchina e ispezionare quest'ultima alla ricerca di eventuali danni, prima di riavviare e utilizzare la macchina. Qualora la macchina sia danneggiata, rivolgersi ai centri di assistenza autorizzati Makita per le riparazioni.
15. Non inserire le dita o altri oggetti nell'apertura di aspirazione o nell'apertura di uscita dell'atomizzatore.
16. Evitare l'avvio accidentale. Accertarsi che l'interruttore sia nella posizione di spegnimento, prima di inserire le cartucce delle batterie e di sollevare o trasportare la macchina. Qualora si trasporti la macchina con il dito sull'interruttore o si eroghi l'alimentazione elettrica alla macchina con l'interruttore attivato, si favoriscono gli incidenti.
17. Non far funzionare la macchina in prossimità di materiali infiammabili.
18. Evitare di far funzionare la macchina per un periodo di tempo prolungato in un ambiente a bassa temperatura.
19. Non utilizzare la macchina quando sussiste il rischio di fulmini.
20. Quando si utilizza la macchina su suolo fangoso, pendii bagnati o ubicazioni scivolose, fare attenzione al proprio appoggio sui piedi.
21. Non utilizzare la macchina in condizioni di tempo avverso in cui la visibilità sia limitata. La mancata osservanza di questa indicazione potrebbe causare cadute o funzionamento errato a causa della scarsa visibilità.
22. Non immergere la macchina in una pozzanghera.
23. Non lasciare la macchina incustodita all'aperto sotto la pioggia.
24. Non utilizzare la macchina nella neve.
25. Durante l'uso, tenere il cavo elettrico lontano dagli ostacoli. Qualora il cavo elettrico si impigli in un ostacolo, potrebbe causare gravi lesioni personali.
26. Evitare di lavorare a temperature gelide, in quanto il liquido nel serbatoio potrebbe congelare.

Dopo l'uso

1. Lavarsi sempre a fondo con acqua e sapone dopo aver irrorato o maneggiato prodotti chimici. Farsi immediatamente una doccia, e lavare tutti gli indumenti protettivi tenendoli separati da altri oggetti. Attenersi a qualsiasi consiglio aggiuntivo del fabbricante del prodotto chimico.
2. Svuotare, sciacquare e pulire il serbatoio e la succhiera dopo ciascun utilizzo. Queste operazioni aiutano a prevenire la cristallizzazione della soluzione, che in seguito potrebbe causare l'intasamento e il danneggiamento chimico della

macchina. Inoltre, i residui di prodotti chimici potrebbero produrre effetti indesiderati durante l'irrorazione successiva con un tipo di prodotto chimico diverso (ad es., i residui di erbicidi potrebbero danneggiare o far morire le piante su cui vengano irrorati dai pesticidi).

3. Non conservare la macchina con la soluzione per irrorazione nel serbatoio.

Manutenzione e conservazione

1. Mantenere tutti i dadi, i bulloni e le viti serrati, per accertarsi che la macchina sia in condizioni di lavoro sicure.
2. Qualora i pezzi siano usurati o danneggiati, sostituirli con pezzi di ricambio forniti da Makita.
3. Conservare la macchina in un luogo asciutto fuori dalla portata dei bambini.
4. Quando si arresta la macchina per ispezionarla, sottoporla a interventi di assistenza, conservarla, o per sostituire un accessorio, spegnerla e accertarsi che tutte le parti mobili si siano arrestate completamente, e rimuovere le cartucce delle batterie. Prima di effettuare qualsiasi lavoro sulla macchina, farla raffreddare. Sottoporre a manutenzione la macchina con cura e mantenerla pulita.
5. Far sempre raffreddare la macchina prima di conservarla.
6. Non esporre la macchina alla pioggia. Conservare la macchina al chiuso.
7. Quando si solleva la macchina, accertarsi di piegare le ginocchia, e fare attenzione a non farsi male alla schiena.
8. Quando si intende lavare la macchina, non lasciar penetrare acqua nell'impianto elettrico, ad esempio nella batteria, nel motore e nei terminali.
9. Quando si intende conservare la macchina, evitare la luce solare diretta e la pioggia, e conservarla in un'ubicazione in cui non sia soggetta a temperature estremamente elevate o umidità.
10. Quando si intende trasportare la macchina, accertarsi di afferrarla saldamente.
11. Quando si trasporta la macchina, fare attenzione a non far restare impigliato il cavo elettrico in ostacoli.

Uso e manutenzione degli strumenti a batterie

1. Ricaricare solo con il caricabatterie specificato dal produttore. Un caricabatterie appropriato per un tipo di batteria potrebbe creare un rischio di incendio, se utilizzato con un'altra batteria.
2. Utilizzare gli utensili elettrici solo con le batterie specificamente designate. L'uso di qualsiasi altra batteria potrebbe creare un rischio di lesioni personali e incendi.
3. Quando la batteria non è in uso, tenerla lontana da altri oggetti metallici, quali graffette, monete, chiavi, chiodi, viti o altri piccoli oggetti metallici, che potrebbero fare contatto tra terminali diversi. Il cortocircuito dei terminali della batteria può causare ustioni o incendi.
4. In condizioni di uso improprio, la batteria potrebbe emettere un liquido: evitare il contatto con tale liquido. Qualora si verifichi un contatto accidentale con il liquido, lavare abbondantemente con acqua. Qualora il

liquido entri in contatto con gli occhi, richiedere anche assistenza medica. Il liquido espulso dalla batteria può causare irritazioni o ustioni.

5. **Non utilizzare una batteria o un utensile che siano danneggiati o che siano stati modificati.** Batterie danneggiate o modificate potrebbero mostrare un comportamento imprevedibile che può risultare in incendi, esplosioni o nel rischio di lesioni personali.
6. **Non esporre una batteria o un utensile al fuoco o a temperature eccessive.** L'esposizione al fuoco o a temperature superiori ai 130 °C potrebbe causare un'esplosione.
7. **Attenersi a tutte le istruzioni relative alla carica e non caricare la batteria o l'utensile al di fuori della gamma di temperature specificata nelle istruzioni.** Una carica inappropriata o a temperatura al di fuori della gamma specificata potrebbe danneggiare la batteria e incrementare il rischio di incendio.

Sicurezza elettrica e della batteria

1. **Non smaltire le batterie nel fuoco.** La cella potrebbe esplodere. Controllare le normative locali per eventuali istruzioni speciali relative allo smaltimento.
2. **Non aprire né fare a pezzi le batterie.** L'elettrolita rilasciato è corrosivo, e potrebbe causare danni agli occhi o alla pelle. Inoltre, potrebbe essere tossico, se inghiottito.
3. **Non caricare la batteria sotto la pioggia o in condizioni di bagnato.**
4. **Non caricare la batteria all'aperto.**
5. **Non maneggiare con le mani bagnate il carica-batterie, inclusa la spina del caricabatterie e i terminali di quest'ultimo.**
6. **Non sostituire la batteria con le mani bagnate.**
7. **Non sostituire la batteria sotto la pioggia.**
8. **Non far bagnare i terminali della batteria con liquidi, ad esempio con acqua, né sommergere la batteria. Non lasciare la batteria sotto la pioggia e non caricarla, utilizzarla o riportarla in un'ubicazione umida o bagnata.** Qualora i terminali si bagnino o del liquido penetri all'interno della batteria, quest'ultima potrebbe venire cortocircuitata, e sussiste il rischio di surriscaldamento, incendio o esplosione.
9. **Dopo aver rimosso la batteria dalla macchina o dal caricabatterie, accertarsi di conservarla in un'ubicazione asciutta.**
10. **Qualora la cartuccia della batteria si bagni, far fuoriuscire tutta l'acqua dall'interno, quindi pulirla con un panno asciutto. Far asciugare completamente la cartuccia della batteria in un luogo asciutto, prima dell'uso.**

Assistenza tecnica

1. **Per l'assistenza tecnica relativa all'utensile elettrico, rivolgersi a un riparatore qualificato che utilizzi solo pezzi di ricambio identici.** In tal modo, si garantisce che la sicurezza dell'utensile elettrico venga preservata.
2. **Non effettuare mai interventi di assistenza su batterie danneggiate.** Gli interventi di assistenza relativi alle batterie vanno effettuati esclusivamente dal produttore o da centri di assistenza autorizzati.

CONSERVARE LE PRESENTI ISTRUZIONI.

AVVERTIMENTO: NON lasciare che la comodità o la familiarità d'uso con il prodotto (acquisita con l'uso ripetuto) sostituiscano la stretta osservanza delle norme di sicurezza.

L'USO IMPROPRIO o la mancata osservanza delle norme di sicurezza riportate nel presente manuale di istruzioni potrebbero causare lesioni personali gravi.

Istruzioni di sicurezza importanti per la cartuccia della batteria

1. **Prima di utilizzare la cartuccia della batteria, leggere tutte le istruzioni e le avvertenze riportate (1) sul caricabatterie, (2) sulla batteria e (3) sul prodotto che utilizza la batteria.**
2. **Non smantellare né manomettere la cartuccia della batteria.** In caso contrario, si potrebbe causare un incendio, calore eccessivo o un'esplosione.
3. **Qualora il tempo di utilizzo si riduca eccessivamente, interrompere immediatamente l'utilizzo dell'utensile. In caso contrario, si può incorrere nel rischio di surriscaldamento, possibili ustioni e persino un'esplosione.**
4. **Qualora l'elettrolita entri in contatto con gli occhi, sciacquarli con acqua pulita e richiedere immediatamente assistenza medica. Questa eventualità può risultare nella perdita della vista.**
5. **Non cortocircuitare la cartuccia della batteria:**
 - (1) Non toccare i terminali con alcun materiale conduttivo.
 - (2) Evitare di conservare la cartuccia della batteria in un contenitore insieme ad altri oggetti metallici quali chiodi, monete, e così via.
 - (3) Non esporre la cartuccia della batteria all'acqua o alla pioggia.

Un cortocircuito della batteria può causare un grande flusso di corrente, un surriscaldamento, possibili ustioni e persino un guasto.

6. **Non conservare e utilizzare l'utensile e la cartuccia della batteria in ubicazioni in cui la temperatura possa raggiungere o superare i 50 °C.**
7. **Non incenerire la cartuccia della batteria anche qualora sia gravemente danneggiata o completamente esaurita. La cartuccia della batteria può esplodere se a contatto con il fuoco.**
8. **Non inchiodare, tagliare, schiacciare, lanciare o far cadere la cartuccia della batteria, né farla urtare con forza contro un oggetto duro.** Questi comportamenti potrebbero risultare in un incendio, calore eccessivo o un'esplosione.
9. **Non utilizzare una batteria danneggiata.**
10. **Le batterie a ioni di litio contenute sono soggette ai requisiti del regolamento sul trasporto di merci pericolose (Dangerous Goods Legislation).**

Per trasporti commerciali, ad esempio da parte di terzi o spedizionieri, è necessario osservare dei requisiti speciali sull'imballaggio e sull'etichetta.

Per la preparazione dell'articolo da spedire, è richiesta la consulenza di un esperto in materiali pericolosi. Attenersi anche alle normative nazionali, che potrebbero essere più dettagliate. Nastrare o coprire i contatti aperti e imballare la batteria in modo tale che non si possa muovere liberamente all'interno dell'imballaggio.

11. **Quando si intende smaltire la cartuccia della batteria, rimuoverla dall'utensile e smaltirla in un luogo sicuro. Attenersi alle normative locali relative allo smaltimento della batteria.**
12. **Utilizzare le batterie esclusivamente con i prodotti specificati da Makita.** L'installazione delle batterie in prodotti non compatibili potrebbe risultare in incendi, calore eccessivo, esplosioni o perdite di liquido elettrolitico.
13. **Se l'utensile non viene utilizzato per un periodo di tempo prolungato, la batteria deve essere rimossa dall'utensile.**
14. **Durante e dopo l'uso, la cartuccia della batteria potrebbe assorbire calore, che può causare ustioni o ustioni a bassa temperatura. Fare attenzione a come si maneggiano le cartucce delle batterie estremamente calde.**
15. **Non toccare i terminali dell'utensile subito dopo l'uso, in quanto potrebbero diventare estremamente caldi al punto da causare ustioni.**
16. **Evitare di far incastrare schegge, polveri o terreno nei terminali, nei fori e nelle scanalature della cartuccia della batteria.** In caso contrario, l'utensile o la cartuccia della batteria potrebbero riscaldarsi, prendere fuoco, scoppiare o guastarsi, causando ustioni o lesioni personali.
17. **A meno che l'utensile supporti l'uso in prossimità di linee elettriche ad alta tensione, non utilizzare la cartuccia della batteria in prossimità di linee elettriche ad alta tensione.** In caso contrario, si potrebbe causare un malfunzionamento o la rottura dell'utensile o della cartuccia della batteria.
18. **Tenere la batteria lontana dai bambini.**

CONSERVARE LE PRESENTI ISTRUZIONI.

⚠ATTENZIONE: Utilizzare solo batterie originali Makita. L'utilizzo di batterie Makita non originali, o di batterie che siano state alterate, potrebbe risultare nello scoppio della batteria, causando incendi, lesioni personali e danni. Inoltre, ciò potrebbe invalidare la garanzia Makita per l'utensile e il caricabatterie Makita.

Suggerimenti per preservare la durata massima della batteria

1. **Caricare la cartuccia della batteria prima che si scarichi completamente. Smettere sempre di utilizzare l'utensile e caricare la cartuccia della batteria quando si nota che la potenza dell'utensile è diminuita.**
2. **Non ricaricare mai una cartuccia della batteria completamente carica. La sovraccarica riduce la vita utile della batteria.**
3. **Caricare la cartuccia della batteria a una temperatura ambiente compresa tra 10 °C e 40 °C.**

Lasciar raffreddare una cartuccia della batteria prima di caricarla.

4. **Quando non si utilizza la cartuccia della batteria, rimuoverla dall'utensile o dal caricabatterie.**
5. **Caricare la cartuccia della batteria se non la si è utilizzata per un periodo di tempo prolungato (più di sei mesi).**

MONTAGGIO

⚠ATTENZIONE: Prima di effettuare qualsiasi intervento sulla macchina, accertarsi sempre che tutte le cartucce delle batterie siano state rimosse. La mancata rimozione di tutte le cartucce delle batterie potrebbe risultare in gravi lesioni personali dovute all'avvio accidentale.

Montaggio dei tubi del soffiatore

1. Allentare la vite di fissaggio.
▶ **Fig.2:** 1. Vite di fissaggio
2. Installare l'impugnatura di controllo sul tubo girevole e serrare la vite di fissaggio. Accertarsi di non posizionare l'impugnatura di controllo più avanti rispetto ai simboli delle frecce.
▶ **Fig.3:** 1. Impugnatura di controllo 2. Tubo girevole 3. Vite di fissaggio 4. Simboli delle frecce

AVVISO: Fare attenzione a non attorcigliare il cavo dell'impugnatura di controllo quando si monta quest'ultima sul tubo girevole.

3. Allentare la vite sulla fascetta stringitubo, quindi montare la fascetta stringitubo sulla bocchetta finale. Allineare le scanalature sulla bocchetta finale con le sporgenze sul tubo girevole, quindi montare la bocchetta finale sul tubo girevole, e infine serrare la vite sulla fascetta stringitubo.
▶ **Fig.4:** 1. Bocchetta finale 2. Fascetta stringitubo 3. Tubo girevole 4. Scanalatura 5. Sporgenza 6. Vite
4. Allentare la vite sulla fascetta stringitubo, quindi montare la leva dell'ugello sulla fascetta stringitubo, e infine montare la fascetta stringitubo sul tubo flessibile. Montare il tubo girevole sul tubo flessibile, quindi serrare la vite sulla fascetta stringitubo.
▶ **Fig.5:** 1. Tubo girevole 2. Leva dell'ugello 3. Fascetta stringitubo 4. Tubo flessibile 5. Vite
5. Allentare la vite sulla fascetta stringitubo, quindi montare quest'ultima sul tubo flessibile. Montare il tubo flessibile sul gomito, quindi serrare la vite sulla fascetta stringitubo.
▶ **Fig.6:** 1. Tubo flessibile 2. Fascetta stringitubo 3. Gomito

AVVISO: Accertarsi che la vite sulla fascetta stringitubo non sia rivolta verso l'esterno, come indicato nella figura.
▶ **Fig.7:** 1. Vite

6. Fissare il cavo di controllo ai fermacavi.

► Fig.8: 1. Fermacavo 2. Cavo di controllo

AVVISO: Accertarsi che il cavo di controllo sia fissato saldamente al fermacavo.

Regolazione della cintura e dell'imbracatura

1. Indossare la macchina, bloccare la fibbia della cintura, quindi regolare la lunghezza della cintura.

► Fig.9: 1. Fibbia

2. Regolare la lunghezza dell'imbracatura.

► Fig.10: 1. Imbracatura

Regolazione della posizione della leva di controllo

Allentare la vite di fissaggio. Spostare l'impugnatura di controllo lungo il tubo girevole sulla posizione più comoda, quindi serrare la vite di fissaggio.

Non spostare l'impugnatura oltre i simboli delle frecce.

► Fig.11: 1. Impugnatura di controllo 2. Tubo girevole
3. Vite di fissaggio 4. Simboli delle frecce

Montaggio della griglia di diffusione

È possibile diffondere la nebbia montando la griglia di diffusione sulla bocchetta finale, come indicato nella figura.

► Fig.12: 1. Griglia di diffusione

Montaggio del deflettore

Accessorio opzionale

È possibile scaricare la nebbia verso l'alto o verso il basso montando il deflettore sulla bocchetta finale, come indicato nella figura.

► Fig.13: 1. Deflettore

DESCRIZIONE DELLE FUNZIONI

ATTENZIONE: Prima di regolare o di controllare il funzionamento della macchina, accertarsi sempre che la macchina sia spenta e che tutte le cartucce delle batterie siano state rimosse.

Installazione o rimozione della cartuccia della batteria

ATTENZIONE: Spegnerne sempre la macchina prima di installare o rimuovere la cartuccia della batteria.

ATTENZIONE: Mantenere saldamente la macchina e la cartuccia della batteria, quando si intende installare o rimuovere quest'ultima. Qualora non si mantengano saldamente la macchina e la cartuccia della batteria, queste ultime potrebbero scivolare dalle mani, con la possibilità di causare un danneggiamento della macchina e della cartuccia della batteria, nonché lesioni personali.

ATTENZIONE: Prima dell'uso, accertarsi di aver bloccato il coperchio batterie. In caso contrario, fango, sporco o acqua potrebbero danneggiare il prodotto o la cartuccia della batteria.

ATTENZIONE: Installare sempre fino in fondo la cartuccia della batteria, fino a quando l'indicatore rosso non è più visibile. In caso contrario, la batteria potrebbe cadere accidentalmente fuori dalla macchina, causando lesioni personali all'operatore o alle persone circostanti.

ATTENZIONE: Non installare forzatamente la cartuccia della batteria. Qualora la batteria non si inserisca scorrendo agevolmente, vuol dire che non viene inserita correttamente.

ATTENZIONE: Mantenere saldamente il coperchio batterie, quando si intende installare o rimuovere la cartuccia della batteria.

Per installare la cartuccia della batteria:

1. Tirare verso l'alto la leva di blocco, quindi aprire il coperchio batterie.

► Fig.14: 1. Leva di blocco 2. Coperchio batterie

2. Allineare la linguetta sulla cartuccia della batteria con l'alloggiamento sulla macchina, quindi far scorrere la cartuccia fino a quando si innesta in sede con un piccolo scatto.

► Fig.15: 1. Cartuccia della batteria

3. Chiudere il coperchio batterie e premerlo fino a quando viene agganciato dalla leva di blocco.

Per rimuovere la cartuccia della batteria:

1. Tirare verso l'alto la leva di blocco, quindi aprire il coperchio batterie.

2. Estrarre la cartuccia della batteria dalla macchina, facendo scorrere allo stesso tempo il pulsante sulla parte anteriore della cartuccia.

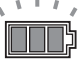
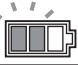
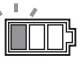
► Fig.16: 1. Cartuccia della batteria

3. Chiudere il coperchio batterie.

Pulsante di controllo delle batterie

È possibile controllare la carica residua delle batterie premendo il pulsante di controllo delle batterie.

► Fig.17: 1. Indicatore della batteria 2. Pulsante di controllo delle batterie

Stato dell'indicatore della batteria			Carica residua della batteria
Acceso	Spento	Lampeggiante	
			Dal 50% al 100%
			Dal 20% al 50%
			Dallo 0% al 20%

NOTA: L'indicatore luminoso della carica residua della batteria rappresenta solo un'indicazione di massima. La carica effettiva della batteria può variare a seconda delle condizioni di utilizzo o della temperatura ambiente.

NOTA: Mentre la macchina è in uso, l'indicatore luminoso non si illumina, anche se si preme il pulsante di controllo.

NOTA: L'indicatore luminoso si spegne automaticamente dopo qualche secondo.













NOTA: Se sono installate due cartucce delle batterie, viene utilizzata prima la batteria installata sul lato destro.

NOTA: Se sono installate due cartucce delle batterie, la macchina commuta automaticamente la batteria, quando quella in uso diventa scarica.

Indicazione della carica residua della batteria

Premere il pulsante di controllo sulla cartuccia della batteria per indicare la carica residua della batteria. Gli indicatori luminosi si illuminano per alcuni secondi.

► **Fig. 18:** 1. Indicatori luminosi 2. Pulsante di controllo

Indicatori luminosi			Carica residua
Illuminato	Spento	Lampeggiante	
			Dal 75% al 100%
			Dal 50% al 75%
			Dal 25% al 50%
			Dallo 0% al 25%
			Caricare la batteria.
  ↑ ↓  			La batteria potrebbe essersi guastata.

NOTA: A seconda delle condizioni d'uso e della temperatura ambiente, l'indicazione potrebbe variare leggermente rispetto alla carica effettiva.

NOTA: Il primo indicatore luminoso (all'estremità sinistra) lampeggia quando il sistema di protezione della batteria è in funzione.

Sistema di protezione della macchina e della batteria

La macchina è dotata di un sistema di protezione della macchina e della batteria. Questo sistema interrompe automaticamente l'alimentazione al motore per prolungare la vita utile della macchina e della batteria. La macchina si arresta automaticamente durante il funzionamento, qualora la macchina o la batteria vengano a trovarsi in una delle condizioni seguenti:

Protezione dal sovraccarico

Quando la macchina o la batteria vengono utilizzate in un modo che causi un assorbimento di corrente elevato in modo anomalo, la macchina si arresta automaticamente e l'indicatore luminoso di accensione principale lampeggia in verde. In questa circostanza, spegnere la macchina e interrompere l'applicazione che ha causato il sovraccarico della macchina. Quindi, accendere la macchina per ricominciare.

Protezione dal surriscaldamento

Quando la macchina è surriscaldata, si arresta automaticamente, e l'indicatore luminoso di accensione principale si illumina in rosso. In tal caso, lasciar raffreddare la macchina e la batteria, prima di riaccendere la macchina.

NOTA: Quando la batteria è surriscaldata, l'indicatore luminoso di accensione principale lampeggia in rosso.

Protezione dalla sovrascarica

Quando la carica della batteria non è sufficiente, la macchina si arresta automaticamente, e l'indicatore luminoso di accensione principale lampeggia in rosso. In questo caso, rimuovere la batteria dalla macchina e caricare la batteria o sostituirla con una completamente carica.

Protezione da altre cause

Il sistema di protezione è progettato anche per altre cause che potrebbero danneggiare la macchina, e consente alla macchina di arrestarsi automaticamente. Adottare tutte le misure seguenti per rimuovere le cause, quando la macchina è stata portata a un'interruzione temporanea o a un arresto del funzionamento.

1. Spegnere la macchina, quindi riaccenderla per ricominciare.
2. Caricare la batteria o le batterie, o sostituirla/sostituirla con una batteria o delle batterie ricaricate.
3. Lasciar raffreddare la macchina e la batteria o le batterie.

Qualora non si riscontri alcun miglioramento ripristinando il sistema di protezione, contattare il proprio centro di assistenza locale Makita.

AVVISO: Qualora la macchina si arresti a causa di un motivo non descritto sopra, fare riferimento alla sezione relativa alla risoluzione dei problemi.

Interruttore di accensione principale

AVVERTIMENTO: Disattivare sempre l'interruttore di accensione principale quando l'utensile non è in uso.

Per accendere la macchina, premere l'interruttore di accensione principale. Gli indicatori luminosi si illuminano in verde. Per spegnerla, premere e tenere premuto l'interruttore di accensione principale fino a quando gli indicatori luminosi si spengono.

► **Fig.19:** 1. Indicatore di velocità 2. Interruttore di accensione principale

È possibile modificare la velocità su tre livelli. Per cambiare la modalità di velocità, premere l'interruttore di accensione principale. Quando si cambia la modalità di velocità, gli indicatori delle velocità corrispondenti si illuminano.

NOTA: La macchina utilizza una funzione di spegnimento automatico. Per evitare l'avvio accidentale, l'interruttore di accensione principale si disattiva automaticamente, quando la macchina non viene fatta funzionare per un determinato periodo di tempo, dopo che l'interruttore di accensione principale è stato attivato.

NOTA: Qualora l'indicatore luminoso di accensione principale si illumina in rosso o lampeggia in rosso o in verde, consultare le istruzioni del sistema di protezione della macchina e della batteria.

Funzionamento dell'interruttore

AVVERTIMENTO: Prima di installare la cartuccia della batteria nella macchina, controllare sempre che l'interruttore a grilletto funzioni correttamente e ritorni sulla posizione di spegnimento quando viene rilasciato.

Per avviare la macchina, premere l'interruttore a grilletto mentre si tiene premuta la leva di attivazione. La velocità aumenta incrementando la pressione sull'interruttore a grilletto. Per arrestare la macchina, rilasciare l'interruttore a grilletto.

► **Fig.20:** 1. Interruttore a grilletto 2. Leva di attivazione

Apertura e chiusura delle leve

La macchina è dotata di tre leve.

Leva dell'ugello

La leva dell'ugello viene utilizzata per nebulizzare. Normalmente, chiudere la leva dell'ugello, quindi aprire la leva dell'ugello solo quando si intende nebulizzare.

► **Fig.21:** 1. Chiusa 2. Aperta

Leva di scarico

La leva di scarico viene utilizzata per scaricare il liquido nel serbatoio. Quando si intende utilizzare la macchina, chiudere sempre la leva.

► **Fig.22:** 1. Chiusa 2. Aperta

Leva del serbatoio

La leva del serbatoio viene utilizzata quando si intende sostituire il filtro. Quando si intende utilizzare la macchina, aprire sempre la leva.

► **Fig.23:** 1. Chiusa 2. Aperta

Manopola di regolazione della quantità di alimentazione

È possibile regolare la quantità di liquido alimentato alla bocchetta finale. Per alimentare la quantità massima di liquido, ruotare la manopola in modo che "4" sia allineato con il simbolo triangolare. Per alimentare la quantità minima di liquido, ruotare la manopola in modo che "1" sia allineato con il simbolo triangolare.

► **Fig.24:** 1. Manopola di regolazione della quantità di alimentazione 2. Simbolo triangolare

Funzione elettronica

La macchina è dotata di una funzione elettronica, per facilitare l'uso.

- **Controllo costante della velocità**
La funzione di controllo della velocità fornisce una velocità di rotazione costante, indipendentemente dalle condizioni di carico.
- **Funzione della valvola di alimentazione**
La macchina è dotata di una valvola di alimentazione. La valvola di alimentazione si apre automaticamente per alimentare il liquido nel serbatoio quando si preme l'interruttore a grilletto, e si chiude automaticamente quando si rilascia l'interruttore a grilletto.

Funzione di prevenzione del riavvio accidentale

Quando si accende la macchina mentre si tengono premuti la leva di attivazione e l'interruttore a grilletto, la macchina non si avvia e l'indicatore luminoso di accensione principale lampeggia in verde. Per avviare la macchina, innanzitutto rilasciare l'interruttore a grilletto, quindi accendere la macchina.

FUNZIONAMENTO

ATTENZIONE: Quando si indossa la macchina, accertarsi di indossare l'imbracatura su entrambe le spalle. In caso contrario, la macchina potrebbe cadere quando la si indossa o la si utilizza, e causare lesioni personali.

ATTENZIONE: Quando si indossa la macchina, accertarsi di indossarla sulla schiena. In caso contrario, la macchina potrebbe cadere durante l'uso e causare lesioni personali.

ATTENZIONE: Non appoggiare a terra la macchina mentre è in funzione. Sabbia o polveri potrebbero penetrare dall'apertura di aspirazione e causare un malfunzionamento o lesioni personali.

Prima di utilizzare la macchina, regolare la lunghezza dell'imbracatura e della cintura.

1. Posizionare la macchina su una superficie piana e stabile.
 2. Accertarsi che le leve siano nelle posizioni seguenti.
 - La leva di scarico è nella posizione chiusa.
- **Fig.25:** 1. Leva di scarico
- La leva del serbatoio è nella posizione aperta.
- **Fig.26:** 1. Leva del serbatoio
- La leva dell'ugello è nella posizione chiusa.
- **Fig.27:** 1. Leva dell'ugello
3. Aprire il tappo del serbatoio, quindi inserire la secchiaruola.
- **Fig.28:** 1. Tappo del serbatoio 2. Secchiaruola- 4. Versare il liquido nel serbatoio, quindi serrare il tappo del serbatoio.

► **Fig.29**

5. Indossare la macchina, quindi bloccare la fibbia della cintura.

6. Ruotare la leva dell'ugello in modo che sia nella posizione aperta.

► **Fig.30:** 1. Leva dell'ugello

7. Accendere la macchina, quindi afferrare saldamente l'impugnatura di controllo ed eseguire l'operazione di nebulizzazione.

Dopo l'uso, ruotare la leva dell'ugello in modo che sia nella posizione chiusa.

Quando si intende appoggiare la macchina, sbloccare la fibbia della cintura, quindi appoggiare la macchina lentamente.

► **Fig.31:** 1. Fibbia

NOTA: È possibile mescolare il liquido nel serbatoio ruotando la succhieruola come indicato nella figura.

► **Fig.32:** 1. Secchiaruola

MANUTENZIONE

⚠ATTENZIONE: Accertarsi sempre di aver rimosso tutte le cartucce delle batterie dalla macchina, prima di riporre o trasportare quest'ultima, oppure prima di tentare di eseguire un intervento di ispezione o di manutenzione.

Per preservare la SICUREZZA e l'AFFIDABILITÀ del prodotto, le riparazioni e qualsiasi altro intervento di manutenzione e di regolazione devono essere eseguiti da un centro di assistenza autorizzato Makita, utilizzando sempre ricambi Makita.

Scaricamento del liquido

Quando si intende scaricare il liquido nel serbatoio, rimuovere il tubo flessibile dall'unità principale, quindi scaricare nel contenitore il liquido presente nel serbatoio aprendo la leva di scarico. Dopo aver scaricato il liquido, accertarsi di chiudere la leva di scarico, quindi montare il tubo flessibile sull'unità principale.

► **Fig.33:** 1. Leva di scarico 2. Tubo flessibile

NOTA: Per svuotare completamente il serbatoio, inclinare leggermente l'unità principale verso l'uscita del tubo flessibile.

Pulizia della macchina

AVVISO: Non utilizzare mai benzina, benzene, solventi, alcol o altre sostanze simili. In caso contrario, si potrebbero causare scolorimenti, deformazioni o crepe.

Pulire la macchina rimuovendo le polveri con un panno asciutto o con uno bagnato in acqua saponata e strizzato.

Rimuovere le polveri o lo sporco dall'apertura di aspirazione.

► **Fig.34:** 1. Apertura di aspirazione

Pulizia del filtro

Pulire il filtro a intervalli regolari. Per pulire il filtro, attenersi alla procedura seguente.

1. Rimuovere le cartucce delle batterie, quindi chiudere la leva del serbatoio.

2. Rimuovere il tappo del filtro ruotandolo in senso antiorario, quindi rimuovere il filtro.

► **Fig.35:** 1. Tappo del filtro 2. Filtro

3. Pulire il filtro con acqua corrente.

4. Montare il filtro sull'unità principale, quindi serrare il tappo del filtro.

5. Aprire la leva del serbatoio.

Conservazione

Prima di conservare la macchina, effettuare la manutenzione completa. Conservare la macchina in un'ubicazione fuori dalla portata dei bambini e non esposta a umidità, pioggia o luce solare diretta.

È possibile collegare la cinghietta del tubo alla macchina come indicato nella figura, per posizionare in verticale il tubo.

► **Fig.36:** 1. Cinghietta

Sostituzione dell'ugello

È possibile sostituire l'ugello standard con l'ugello ULV (Ultra Low Volume, a volume bassissimo). L'ugello ULV può scaricare una nebbia più fine, rispetto all'ugello standard. Per cambiare l'ugello, attenersi alla procedura seguente.

1. Allentare le vite e rimuoverla, quindi rimuovere il lato anteriore della bocchetta finale.

► **Fig.37:** 1. Vite 2. Bocchetta finale

2. Rimuovere l'ugello standard ruotandolo in senso antiorario mediante la chiave.

► **Fig.38:** 1. Chiave 2. Ugello standard

3. Rimuovere la guarnizione circolare dall'ugello standard, quindi montarla sull'ugello ULV.

► **Fig.39:** 1. Guarnizione circolare 2. Ugello standard 3. Ugello ULV

4. Montare l'ugello ULV ruotandolo in senso orario mediante la chiave.

► **Fig.40:** 1. Chiave 2. Ugello ULV

AVVISO: Non serrare eccessivamente l'ugello. La coppia di serraggio consigliata è pari a circa 1,0 N•m. Un serraggio eccessivo dell'ugello potrebbe danneggiare la parte di montaggio dell'ugello.

5. Montare la bocchetta finale, quindi serrare la vite.
 ► Fig.41: 1. Vite 2. Bocchetta finale

RISOLUZIONE DEI PROBLEMI

Prima di richiedere riparazioni, eseguire un'ispezione personalmente. Qualora si rilevi un problema che non sia illustrato nel manuale, non tentare di smontare la macchina. Rivolgersi, invece, ai centri di assistenza autorizzati Makita, utilizzando sempre pezzi di ricambio Makita per le riparazioni.

Stato di anomalia	Causa probabile (guasto)	Azione correttiva
Il motore non funziona.	La batteria non è installata.	Installare la batteria.
	Problema della batteria (sotto tensione)	Ricaricare la batteria. Qualora la ricarica non sia efficace, sostituire la batteria.
	Il sistema di trasmissione non funziona correttamente.	Richiedere la riparazione a un centro di assistenza autorizzato locale.
Il motore si arresta dopo un breve utilizzo.	Il livello di carica della batteria è basso.	Ricaricare la batteria. Qualora la ricarica non sia efficace, sostituire la batteria.
	Surriscaldamento.	Interrompere l'utilizzo della macchina per consentirle di raffreddarsi.
La nebbia non viene scaricata.	Il serbatoio è vuoto.	Riempire il serbatoio con del liquido.
	La leva dell'ugello o la leva del serbatoio è chiusa.	Aprire la leva dell'ugello e la leva del serbatoio.
	L'ugello è intasato.	Rimuovere l'ugello standard o l'ugello ULV, quindi pulire l'ugello con acqua corrente per rimuovere il materiale intasato.
	Il filtro è intasato.	Rimuovere il filtro, quindi pulirlo con acqua corrente per rimuovere il materiale intasato.
La macchina non raggiunge la velocità massima.	La batteria non è installata correttamente.	Installare la batteria come descritto nel presente manuale.
	La carica della batteria si sta esaurendo.	Ricaricare la batteria. Qualora la ricarica non abbia effetto, sostituire la batteria.
	Il sistema di trasmissione non funziona correttamente.	Richiedere la riparazione a un centro di assistenza autorizzato locale.
Vibrazione anomala: ⇒ arrestare immediatamente la macchina!	Il sistema di trasmissione non funziona correttamente.	Richiedere la riparazione a un centro di assistenza autorizzato locale.
Non si riesce ad arrestare il motore: ⇒ rimuovere immediatamente la batteria!	Malfunzionamento elettrico o elettronico.	Rimuovere la batteria e richiedere la riparazione a un centro di assistenza autorizzato locale.

ACCESSORI OPZIONALI

⚠ATTENZIONE: Questi accessori o componenti aggiuntivi sono consigliati per l'uso con il prodotto Makita specificato nel presente manuale. L'utilizzo di qualsiasi altro accessorio o componente aggiuntivo potrebbe presentare il rischio di lesioni alle persone. Utilizzare un accessorio o un componente aggiuntivo solo per lo scopo a cui è destinato.

NOTA: Alcuni articoli nell'elenco potrebbero essere inclusi in dotazione nella confezione dell'utensile come accessori di serie. Tali articoli possono variare da una nazione all'altra.

Per ottenere ulteriori dettagli relativamente a questi accessori, rivolgersi a un centro di assistenza Makita.

- Deflettore
- Batteria e caricabatterie originali Makita

TECHNISCHE GEGEVENS

Model:		PM001G
Capaciteiten	Luchtvolume	7,4 - 14,3 m ³ /min*1
	Luchtsnelheid (gemiddeld)	28,0 - 53,0 m/s
	Luchtsnelheid (maximaal)	34,0 - 64,0 m/s
Inhoud van de tank		15 l
Totaal restvolume		50 ml of minder
Afmetingen (l x b x h) (met eindmondstuk)		320 mm x 600 mm x 690 mm
Nominale spanning		Max. 36 V - 40 V gelijkspanning
Nettogewicht	*2	11,9 kg
	*3	12,8 - 15,7 kg
Beschermingsklasse		IPX4

- In verband met ononderbroken research en ontwikkeling, behouden wij ons het recht voor de bovenstaande technische gegevens zonder voorafgaande kennisgeving te wijzigen.
- De technische gegevens kunnen van land tot land verschillen.

*1: De maximale luchtstroomsnelheid is 858 m³/h.

*2: Gewicht met lege tank, zonder accu's, met pijpen, mondstuk en draagstel.

*3: De lichtste en zwaarste combinatie in gewicht volgens de EPTA-procedure 01/2014. Het gewicht kan verschillen afhankelijk van het/de hulpstuk(ken), waaronder de accu('s).

Toepasselijke accu's en laders

Accu	BL4040F / BL4050F / BL4080F
Lader	DC40RA / DC40RB / DC40RC / DC40WA

- Sommige van de hierboven vermelde accu's en laders zijn mogelijk niet leverbaar afhankelijk van waar u woont.

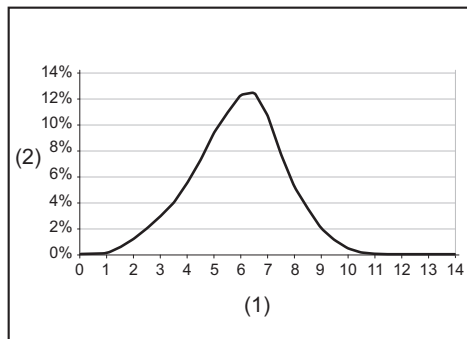
⚠️ WAARSCHUWING: Gebruik uitsluitend de accu's en laders die hierboven worden genoemd. Gebruik van enige andere accu of lader kan leiden tot letsel en/of brand.

⚠️ WAARSCHUWING: Gebruik geen bekabelde voeding, zoals een draagbare voedingseenheid, met dit gereedschap.

Technische gegevens voor spuiten

het middel dat op de grond komt

Horizontaal spuitbereik



Druppelgrootte

Druppelgrootte met standaardsproeier

Stand van de instelknop	Dv 0.1	Dv 0.5	Dv 0.9
1	22 µm	57 µm	112 µm
2	37 µm	102 µm	251 µm
3	40 µm	111 µm	267 µm
4	42 µm	115 µm	280 µm

Druppelgrootte met ULV-sproeier

Stand van de instelknop	Dv 0.1	Dv 0.5	Dv 0.9
1 - 4	14 µm	41 µm	85 µm

Spuihoeveelheid per werkhouding

► Fig.1

Spuithoeveelheid met standaardsproeiër

Stand van de instelknop	Hoek van het mondstuk		
	-30°	0°	30°
1	0,23 l/min	0,19 l/min	0,12 l/min
2	1,13 l/min	0,71 l/min	0,34 l/min
3	1,37 l/min	0,95 l/min	0,49 l/min
4	1,55 l/min	1,21 l/min	0,51 l/min

Spuithoeveelheid met ULV-sproeiër

Stand van de instelknop	Hoek van het mondstuk		
	-30°	0°	30°
1 - 4	0,05 l/min	0,04 l/min	0,03 l/min

OPMERKING: De waarden van deze technische gegevens voor spuiten kunnen verschillen afhankelijk van de werkomstandigheden en omgevingstemperatuur.

Symbolen

Hieronder staan de symbolen die voor het gereedschap kunnen worden gebruikt. Zorg ervoor dat u de betekenis ervan kent voordat u het gereedschap gaat gebruiken.

	Wees vooral voorzichtig en let goed op.
	Lees de gebruiksaanwijzing.
	Draag oog- en gehoorbescherming.
	Gebruik een ademhalingsbeschermingsapparaat.
	Stel het gereedschap niet bloot aan vuur.
	Draag stevige schoenen met antislipzolen. Veiligheidsschoenen met stalen neuzen worden aanbevolen.
	Draag veiligheidshandschoenen.
	Draag veiligheidskleding.
	Houd omstanders uit de buurt tijdens het spuiten.
	Houd uw handen uit de buurt van draaiende delen.
	Lang haar kan verstrikt raken en ongelukken veroorzaken.
	Houd omstanders uit de buurt.
	Gewicht met een lege tank.
	Gewicht met een volle tank.



Alleen voor EU-landen

Als gevolg van de aanwezigheid van schadelijke componenten in het apparaat, kunnen oude elektrische en elektronische apparaten, accu's en batterijen negatieve gevolgen hebben voor het milieu en de gezondheid van mensen.

Gooi elektrische en elektronische apparaten en accu's niet met het huisvuil weg! In overeenstemming met de Europese richtlijn inzake oude elektrische en elektronische apparaten en inzake accu's en batterijen en oude accu's en batterijen, alsmede de toepassing daarvan binnen de nationale wetgeving, dienen oude elektrische apparaten, accu's en batterijen gescheiden te worden opgeslagen en te worden ingeleverd bij een apart inzamelingspunt voor huishoudelijk afval dat de milieubeschermingsvoorschriften in acht neemt.

Dit wordt op het apparaat aangegeven door het symbool van een doorgekruiste afvalcontainer.



Gegarandeerd geluidsvermogeniveau conform EU-richtlijn inzake geluidsemisatie buitenhuis.



Geluidsvermogeniveau conform de Regelgeving Geluidsregeling van NSW, Australië

Gebruiksdoeleinden

Het gereedschap is bedoeld om te vernevelen.

Geluidsniveau

De typische, A-gewogen geluidsniveaus zijn gemeten volgens ISO22868:

Geluidsdrukniveau (L_{pA}): 84,5 dB (A)

Geluidsvermogeniveau (L_{WA}): 103,3 dB (A)

Onzekerheid (K): 2,3 dB (A)

OPMERKING: De opgegeven geluidsemisiewaarde(n) is/zijn gemeten volgens een standaardtestmethode en kan/kunnen worden gebruikt om dit gereedschap te vergelijken met andere gereedschappen.

OPMERKING: De opgegeven geluidsemisiewaarde(n) kan/kunnen ook worden gebruikt voor een beoordeling vooraf van de blootstelling.

WAARSCHUWING: Draag gehoorbescherming.

WAARSCHUWING: De geluidsemisie tijdens het gebruik van het elektrisch gereedschap in de praktijk kan verschillen van de opgegeven waarde(n) afhankelijk van de manier waarop het gereedschap wordt gebruikt, met name van het soort werkstuk waarmee wordt gewerkt.

WAARSCHUWING: Zorg ervoor dat veiligheidsmaatregelen worden getroffen ter bescherming van de gebruiker die zijn gebaseerd op een schatting van de blootstelling onder praktijkomstandigheden (rekening houdend met alle fasen van de bedrijfscyclus, zoals de tijdsduur gedurende welke het gereedschap is uitgeschakeld en stationair draait, naast de ingeschakelde tijdsduur).

Trilling

De totale trillingswaarde (triaxiale vectorsom) zoals vastgesteld volgens ISO22867:

Gebruikstoepassing: onbelaste werking
Trillingsemissie (a_h): 2,5 m/s² of lager
Onzekerheid (K): 1,5 m/s²

OPMERKING: De totale trillingswaarde(n) is/zijn gemeten volgens een standaardtestmethode en kan/kunnen worden gebruikt om dit gereedschap te vergelijken met andere gereedschappen.

OPMERKING: De opgegeven totale trillingswaarde(n) kan/kunnen ook worden gebruikt voor een beoordeling vooraf van de blootstelling.

⚠️ WAARSCHUWING: De trillingsemissie tijdens het gebruik van het elektrisch gereedschap in de praktijk kan verschillen van de opgegeven waarde(n) afhankelijk van de manier waarop het gereedschap wordt gebruikt, met name van het soort werkstuk waarmee wordt gewerkt.

⚠️ WAARSCHUWING: Zorg ervoor dat veiligheidsmaatregelen worden getroffen ter bescherming van de gebruiker die zijn gebaseerd op een schatting van de blootstelling onder praktijkomstandigheden (rekening houdend met alle fasen van de bedrijfscyclus, zoals de tijdsduur gedurende welke het gereedschap is uitgeschakeld en stationair draait, naast de ingeschakelde tijdsduur).

Verklaringen van conformiteit

Alleen voor Europese landen

De verklaringen van conformiteit zijn bijgevoegd in Bijlage A bij deze gebruiksaanwijzing.

VEILIGHEIDSWAARSCHUWINGEN

Algemene veiligheidswaarschuwingen voor elektrisch gereedschap

⚠️ WAARSCHUWING Lees alle veiligheidswaarschuwingen, instructies, afbeeldingen en technische gegevens die bij dit elektrisch gereedschap worden geleverd. Als niet alle onderstaande instructies worden opgevolgd, kan dat leiden tot een elektrische schok, brand en/of ernstig letsel.

Bewaar alle waarschuwingen en instructies om in de toekomst te kunnen raadplegen.

De term "elektrisch gereedschap" in de veiligheidsvoorschriften duidt op gereedschappen die op stroom van het lichtnet werken (met snoer) of gereedschappen met een accu (snoerloos).

Veiligheidswaarschuwingen voor een ruggedragen accuverneelaar

⚠️ WAARSCHUWING: Lees alle veiligheidswaarschuwingen en alle instructies. Het niet volgen van de waarschuwingen en instructies kan leiden tot elektrische schokken, brand en/of ernstig letsel.

Bewaar alle waarschuwingen en instructies om in de toekomst te kunnen raadplegen.

Algemene instructies

1. Om verzekerd te zijn van een correcte en veilige bediening moet de gebruiker deze gebruiksaanwijzing lezen, begrijpen en volgen om vertrouwd te raken met het hanteren van het gereedschap. Gebruikers die onvoldoende geïnformeerd zijn, lopen de kans zichzelf en anderen in gevaar te brengen als gevolg van een verkeerde hantering.
2. Het verdient aanbeveling het gereedschap uitsluitend uit te lenen aan mensen die bewezen hebben ervaren te zijn in het hanteren van een verneelaar.
3. Kinderen en jongeren onder de 18 jaar mogen niet worden toegestaan met het gereedschap te werken. Personen ouder dan 16 jaar mogen echter het gereedschap gebruiken in het kader van opleiding, maar uitsluitend onder rechtstreeks toezicht van een vakbekwame begeleider.
4. Gebruik uitsluitend gewasbeschermingsmiddelen die uitdrukkelijk door de fabrikant zijn goedgekeurd voor gebruik in een verneelaar en die voldoen aan alle toepasselijke veiligheidsregels, normen en verordeningen.
5. Alle gebruikers en onderhoudsmonteurs moeten worden opgeleid en bekend zijn met de correcte hanteringsprocedures voor de chemische middelen die worden gebruikt, en tevens met de regelgeving betreffende het weggoien van vloeibare chemische middelen.
6. Om het risico van letsel bij gebruik van chemische middelen te verkleinen, moet geschikte beschermingsmiddelen worden gedragen tijdens het vullen, gebruiken en reinigen van de verneelaar. Houd u altijd aan alle instructies van de fabrikant van het chemische middel betreffende goede oog-, huid- en ademhalingsbescherming.
7. Wanneer giftige chemische middelen worden gebruikt, moeten de gebruiker en eventuele omstanders mogelijk goed passende ademhalingsapparatuur gebruiken voor de chemische middelen die worden gebruikt. Raadpleeg het etiket van het chemisch middel. Het inademen van giftige chemische middelen kan leiden tot ernstig of fataal letsel.

Bedoeld gebruik van het gereedschap

1. Het gereedschap is uitsluitend bedoeld voor het spuiten van chemische middelen en andere vloeistoffen ter bestrijding van

ongedierte en onkruiden in boomgaarden, bloemperken en groentetuinen, op struiken en bomen, en op gewassen zoals koffie, tabak en katoen. Het is tevens nuttig bij het onderhouden van jonge bomen om de schorskever en ander ongedierte en plantenziekten te bestrijden. Gebruik het nooit voor enig ander doel.

Instructie

1. Lees de instructies aandachtig door. Zorg dat u vertrouwd bent met de bedieningsorganen en het juiste gebruik van het gereedschap.
2. Laat in geen geval kinderen, personen met een verminderd lichamelijk, zintuiglijk of geestelijk vermogen, of gebrek aan kennis en ervaring, en personen die deze gebruiksaanwijzing niet gelezen hebben, het gereedschap gebruiken. De leeftijd van de gebruiker kan landelijk geregelmenteerd zijn.
3. Bedien het gereedschap nooit in de buurt van andere personen, met name kinderen, of huisdieren.
4. Denk eraan dat de gebruiker verantwoordelijk is voor ongevallen en gevaren die personen of hun eigendommen kunnen overkomen.

Vorbereidingen

1. Draag tijdens het gebruik van het gereedschap altijd stevige schoenen en een lange broek.
2. Draag geen losse kleding of sieraden die in de luchtinlaat gezogen kunnen worden. Houd lang haar uit de buurt van de luchtinlaten.
3. Om irritatie door stof te voorkomen, adviseren wij u een gezichtsmasker te dragen.
4. Draag tijdens gebruik van het gereedschap altijd slipvast veiligheidsschoeisel. Slipvaste, dichte veiligheidsschoenen of -laarzen verlagen de kans op letsel.
5. Draag altijd rubberhandschoenen en rubberlaarzen die bestand zijn tegen chemische middelen wanneer u met het gereedschap werkt.

Hanteren van chemische middelen

1. Sommige chemische middelen kunnen giftige en/of bijtende stoffen bevatten. Dergelijke chemische middelen kunnen gevaarlijk zijn en ernstig of fataal letsel veroorzaken bij mensen en dieren, en/of ernstige schade veroorzaken aan planten en het milieu. Vermijd rechtstreekse aanraking van chemische middelen. Volg de instructies van de fabrikant van het chemische middel betreffende aanraking van het middel.
2. Lees het etiket en de gebruiksaanwijzing van de fabrikant elke keer voordat u het chemische middel mengt of gebruikt en vóór u het opbergt of weggooit. Een onzorgvuldige of onjuiste hantering kan leiden tot ernstig of fataal letsel.
3. Lees het etiket op de fles/jerrycan van het chemisch middel voordat u het gebruikt. Chemische middelen zijn geclassificeerd in categorieën van giftigheid. Elke categorie heeft zijn eigen unieke hanteringsvoorwaarden. Maak uzelf bekend met de voorwaarden van de categorie van het chemisch middel dat u gebruikt. Chemische middelen mogen uitsluitend worden gebruikt door personen die

zijn opgeleid in de hantering ervan en in de toepasselijke eerstehulpverlening.

4. Chemische middelen kunnen bij verkeerd gebruik schadelijk zijn voor mensen, dieren en het milieu. Het is verstandig om bepaalde chemische middelen die bijtend, corrosief of giftig zijn niet te gebruiken in dit gereedschap.
5. Meng alleen bestrijdingsmiddelen die compatibel zijn met elkaar. Verkeerde mengsels kunnen giftige dampen veroorzaken. Verzekert u tijdens het hanteren en spuiten van chemische middelen ervan dat u werkt in overeenstemming met de lokale wet- en regelgeving betreffende milieubeschermt. Spuit niet wanneer er veel wind staat. Om het milieu te beschermen, gebruikt u alleen de aanbevolen dosering.
6. Vermijd uw mond te openen, zoals bij eten, drinken of roken, tijdens het hanteren van chemische middelen of tijdens het spuiten. Blaas met uw mond nooit door mondstukken, buizen, pijpen of enig ander onderdeel. Hanteer chemische middelen in een goed geventileerde ruimte en draag daarbij geschikte beschermende kleding en veiligheidsuitrusting.
7. Bewaar of transporteer chemische middelen niet tezamen met voedsel, drinken of medicijnen, en hergebruik een fles/jerrycan van chemische middelen nooit voor enig ander doel. Giet vloeibare chemische middelen niet in een andere fles/jerrycan, met die name voedsel of drinken.
8. Houd het etiket van het middel bij de hand om te lezen of te laten zien aan de persoon die u raadpleegt. Ruim gemorst chemisch middel onmiddellijk op. In het geval een chemisch middel per ongeluk is aangeraakt of ingeslikt, of in het geval uw kleding ermee verontreinigd is geraakt, stopt u onmiddellijk met werken en raadpleegt u de instructies van de fabrikant van het chemisch middel. Als u twijfelt over wat u moet doen, vraagt u een arts of antgiftencentrum om advies.
9. Gooi eventuele restanten weg in overeenstemming met de wet- en regelgeving voor de regio waarin u woont.
10. Houd chemische middelen buiten het bereik van kinderen, onbevoegde personen en dieren. Indien niet in gebruik, bewaar chemische middelen op een veilige en afgesloten plaats. Volg de aanbevelingen van de fabrikant voor correcte bewaring.

Mengsels met chemische middelen bereiden

1. Bereid de chemische oplossing door de instructies van de fabrikant van de chemische middelen te volgen.
2. Bereid slechts voldoende oplossing voor de geplande werkzaamheden zodat geen mengsel overblijft.
3. Meng chemische middelen alleen door de instructies te volgen. Verkeerde mengsels kunnen giftige dampen veroorzaken.
4. Spuit nooit onverdunde chemische middelen.
5. Bereid de oplossing en vul de fles/jerrycan op een goed geventileerde plaats of buitenshuis.

Chemische middelen bewaren

1. Bewaar een spuitoplossing niet langer dan één dag in de fles/jerrycan.
2. Bewaar en transporteer een spuitoplossing altijd in een goedgekeurde fles/jerrycan.
3. Bewaar of transporteer een spuitoplossing nooit in een fles/jerrycan die bedoeld is voor voedsel, drinken of diervoer.
4. Bewaar of transporteer een spuitoplossing niet tezamen met voedsel, drinken of diervoer.
5. Houd een spuitoplossing buiten het bereik van kinderen, onbevoegde personen en dieren.
6. Bewaar een spuitoplossing in een afgesloten ruimte die beveiligd is tegen onbevoegd gebruik.

Chemische middelen weggooien

1. Gooi restanten van chemische middelen of verontreinigde spoeloplossingen nooit weg in een sloot, afvoerkanaal, riool, straatgoot, mangat en dergelijk.
2. Wanneer u een verontreinigd spoeloplossing weggooit, houdt u zich aan alle toepasselijke wet- en regelgeving en verordeningen.
3. Houd u exact aan de voorzorgsmaatregelen in de instructies van de fabrikant van het chemisch middel.

De tank vullen

1. Verzeker u ervan dat de aftapkraan en mondstukkraan dicht staan.
2. Voordat u de vernevelaar met chemische middelen gebruikt, vult u de tank met vers water om er zeker van te zijn dat u het apparaat correct hebt gemonteerd en test het spuiten. Controleer op dat moment tevens op lekkages. Nadat u goed vertrouwd bent met de bediening van de vernevelaar, volgt u de normale bedieningsprocedures.
3. Vul de tank op een goed geventileerde plaats of buitenshuis.
4. Gebruik geen ontvlambare stoffen in de vernevelaar waardoor een explosie kan worden veroorzaakt die kan leiden tot ernstig of fataal letsel.
5. Gebruik geen bijtende of corrosieve materialen in de vernevelaar die het gereedschap kunnen beschadigen.
6. Gebruik geen vloeistof met een temperatuur hoger dan 50 °C om de kans op verbranding en schade aan het gereedschap te verkleinen.
7. Plaats de vernevelaar op een horizontale ondergrond wanneer u de tank gaat vullen. Om het risico van verontreiniging van de omgeving te verkleinen, let u erop de tank niet te ver te vullen met chemische oplossing.
8. Om het risico van letsel te verkleinen, mag u de tank niet vullen terwijl u het gereedschap op uw rug draagt.
9. Als u de fles/jerrycan met de oplossing vult via een slang bevestigd aan een centrale watertoevoer, zorgt u ervoor dat het uiteinde van de slang niet in de oplossing steekt om het risico van terugstromen te verkleinen.
10. Bereken de correcte hoeveelheid benodigde

chemische oplossing zodat deze in één keer volledig wordt opgebruikt zonder dat extra oplossing overblijft in de tank.

11. Draai na het vullen de tankdop stevig vast.
12. Controleer tijdens het vullen en tijdens gebruik op lekkages. Een lek in de tank of een loszittende koppeling kan uw kleding doordrenken met oplossing die in aanraking komt met uw huid.
13. Vul de tank met een hoeveelheid vloeistof die geschikt is voor het lichaamsformaat of de sterkte van de gebruiker.

Bediening

1. Schakel het gereedschap uit, verwijder de accu's en verzeker u ervan dat alle bewegende delen volledig tot stilstand zijn gekomen:
 - iedere keer als u het gereedschap ongebruikt achterlaat;
 - voordat u een verstopping opheft;
 - voordat u het gereedschap controleert, reinigt of er werkzaamheden aan gaat verrichten; of
 - als het gereedschap abnormaal begint te trillen.
2. Gebruik het gereedschap alleen bij daglicht of helder kunstlicht.
3. Reik niet te ver en zorg altijd voor een stevige stand en goede lichaamsbalans.
4. Zorg altijd dat u stevig staat op hellingen.
5. Loop gewoon en ren niet.
6. Zorg ervoor dat alle koelluchtinlaten vrij zijn van vuil.
7. Spuit nooit in de richting van omstanders.
8. Gebruik het gereedschap in een aanbevolen stand en op een stevige ondergrond.
9. Gebruik het gereedschap niet op hoge plaatsen.
10. Richt het mondstuk nooit op iemand in de buurt tijdens het gebruik van het gereedschap.
11. Blokkeer nooit de aanzuigopening en/of de neveluitblaasopening.
 - Wees voorzichtig dat de aanzuigopening of neveluitblaasopening niet verstopt raken met stof of vuil tijdens gebruik op een stoffige plaats.
 - Gebruik geen andere mondstukken dan die worden aanbevolen door Makita.
12. Gebruik het gereedschap niet vlakbij een openstaand raam, enz.
13. Wij adviseren u het gereedschap alleen op redelijke tijdstippen te gebruiken - niet vroeg in de ochtend of laat in de avond wanneer overlast voor anderen kan ontstaan.
14. Als het gereedschap tegen een vreemd voorwerp stoot of een vreemd geluid maakt of begint te trillen, schakelt u het gereedschap onmiddellijk uit. Verwijder de accu's vanaf het gereedschap en inspecteer het gereedschap op beschadigingen voordat u het gereedschap weer start en gebruikt. Als het gereedschap beschadigd is, vraagt u uw erkende Makita-servicecentrum het te repareren.
15. Steek geen vingers of andere voorwerpen in

de aanzuigopening of neveluitblaasopening.

16. **Voorkom onbedoeld starten.** Verzeker u ervan dat de schakelaar in de uit-stand staat alvorens de accu's aan te brengen of het gereedschap op te pakken of te dragen. Door het gereedschap te dragen met uw vinger op de schakelaar, of door het gereedschap op een voeding aan te sluiten terwijl de schakelaar aan staat, neemt de kans op ongevallen sterk toe.
17. **Gebruik het gereedschap niet in de buurt van ontvlambare materialen.**
18. **Vermijd langdurig gebruik van het gereedschap in een koude omgeving.**
19. **Gebruik het gereedschap niet wanneer de kans op bliksem bestaat.**
20. **Als u het gereedschap op een modderige ondergrond, natte helling of gladde plaats gebruikt, let u erop dat u stevig staat.**
21. **Gebruik het gereedschap niet bij slecht weer waarin het zicht beperkt is.** Als u zich hier niet aan houdt, kan dat een val of verkeerde bediening veroorzaken als gevolg van het slechte zicht.
22. **Dompel het gereedschap niet onder in een waterplas.**
23. **Laat het gereedschap niet onbeheerd buiten in de regen staan.**
24. **Gebruik het gereedschap niet in de sneeuw.**
25. **Houd tijdens gebruik de kabel uit de buurt van obstakels.** Als de kabel vast blijft haken achter obstakels, kan ernstig letsel worden veroorzaakt.
26. **Vermijd werken bij vorst omdat de vloeistof in de tank kan bevriezen.**

Na gebruik

1. **Was uzelf altijd grondig met water en zeep na het spuiten of hanteren van chemische middelen.** Ga onmiddellijk onder de douche en was alle beschermende kleding apart van andere kleding. Volg alle aanvullende aanbevelingen van de fabrikant van het chemisch middel.
2. **Leeg, spoel een reinig de tank en zeef na elk gebruik.** Dit helpt voorkomen dat de oplossing kristalliseert, waardoor later verstoppingen en chemische schade aan het gereedschap kunnen ontstaan. Daarnaast kunnen restanten van chemische middelen ongewenste effecten hebben tijdens de volgende spuitwerkzaamheden met een ander soort chemisch middel (bijvoorbeeld restanten van een onkruidverdelgingsmiddel kunnen planten die worden bespoten met een bestrijdingsmiddel beschadigen of doden).
3. **Berg het gereedschap niet op terwijl er nog in de tank zit.**

Onderhoud en opslag

1. **Zorg ervoor dat alle moeren, bouten en schroeven stevig vastgedraaid zijn om er zeker van te zijn dat het gereedschap altijd veilig kan worden gebruikt.**
2. **Als de onderdelen versleten of beschadigd zijn, vervangt u deze door onderdelen geleverd door Makita.**
3. **Berg het gereedschap op een droge plaats op**

buiten het bereik van kinderen.

4. **Wanneer u het gereedschap stopt voor inspectie, onderhoud, opslag of het verwisselen van accessoires, schakelt u het gereedschap uit en verzekert u zich er eerst van dat alle bewegende delen volledig tot stilstand zijn gekomen en verwijdert u daarna de accu's.** Laat het gereedschap afkoelen voordat u enige werkzaamheden aan het gereedschap uitvoert. Onderhoud het gereedschap zorgvuldig en houd het schoon.
5. **Laat het gereedschap altijd eerst afkoelen voordat u het opbergt.**
6. **Stel het gereedschap niet bloot aan regen.** Bewaar het gereedschap binnenshuis.
7. **Wanneer u het gereedschap optilt, moet u uw knieën buigen en bent u voorzichtig uw rug niet te bezeren.**
8. **Wanneer u het gereedschap wast, zorgt u ervoor dat geen water kan binnendringen in de elektrische delen, zoals de accu, motor en aansluitingen.**
9. **Wanneer u het gereedschap opbergt, vermijdt u direct zonlicht en regen, en bergt u het op een plaats op die niet heet of vochtig wordt.**
10. **Wanneer u het gereedschap draagt, verzekert u zich ervan het gereedschap stevig vast te houden.**
11. **Wanneer u het gereedschap draagt, bent u voorzichtig dat de kabel niet blijft haken achter obstakels.**

Gebruik en verzorging van gereedschap dat op een accu werkt

1. **Laad alleen op met de acculader aanbevolen door de fabrikant.** Een acculader die geschikt is voor een bepaald type accu, kan brandgevaar opleveren indien gebruikt met een ander type accu.
2. **Gebruik elektrisch gereedschap uitsluitend met de daarvoor bestemde accu.** Gebruik van andere accu's kan gevaar voor letsel of brandgevaar opleveren.
3. **Als de accu niet wordt gebruikt, houdt u deze uit de buurt van metalen voorwerpen, zoals paperclips, muntgeld, sleutels, spijkers, schroeven en andere kleine metalen voorwerpen die een kortsluiting kunnen veroorzaken tussen de accupolen.** Kortsluiting tussen de accupolen kan leiden tot brandwonden of brand.
4. **Onder zware gebruiksomstandigheden kan vloeistof uit de accu komen. Voorkom aanraking! Als u er per ongeluk mee in aanraking komt, spoelt u het er met water af.** Als de vloeistof in uw ogen komt, raadpleegt u tevens een arts. Vloeistof uit de accu kan irritatie en brandwonden veroorzaken.
5. **Gebruik geen accu of gereedschap dat beschadigd of gewijzigd is.** Beschadigde of gewijzigde accu's kunnen onvoorspelbaar gedrag vertonen dat kan leiden tot brand, explosie of gevaar van letsel.
6. **Stel een accu of gereedschap niet bloot aan vuur of buitensporige temperaturen.** Blootstelling aan vuur of temperaturen hoger dan

130 °C kunnen een explosie veroorzaken.

7. **Volg alle oplaad instructies en laad de accu of het gereedschap niet op buiten het temperatuurbereik opgegeven in de instructies.** Verkeerd opladen of bij een temperatuur buiten het opgegeven bereik kan de accu beschadigen en de kans op brand vergroten.

Elektrische veiligheid en accu

1. **Werp de accu('s) niet in een vuur.** De accu kan exploderen. Raadpleeg de lokale regelgeving voor mogelijke speciale verwerkingsvereisten.
2. **Open of vervorm de accu('s) niet.** Het elektrolyt is agressief en kan letsel toebrengen aan de ogen en huid. Het kan giftig zijn bij inslikken.
3. **Laad de accu niet op in de regen of op een natte plaats.**
4. **Laad de accu niet buitenshuis op.**
5. **Raak de lader, inclusief de stekker en de contacten van de lader, niet met natte handen aan.**
6. **Vervang de accu niet met natte handen.**
7. **Vervang de accu niet in de regen.**
8. **Laat de aansluitpunten van de accu niet nat worden met een vloeistof, zoals water, en dompel de accu niet onder. Laat de accu niet in de regen liggen en laad of berg de accu niet op een vochtige of natte plaats op.** Als de aansluitpunten nat worden of vloeistof binnendringt in de accu, kan kortsluiting ontstaan in de accu en bestaat de kans op oververhitting, brand of explosie.
9. **Nadat de accu vanaf het gereedschap of de acculader is verwijderd, verzekert u zich ervan deze op een droge plaats op te bergen.**
10. **Als de accu nat wordt, laat u het water eruit lopen en veegt u hem af met een droge doek. Laat de accu volledig drogen op een droge plaats voordat u hem gebruikt.**

Reparatie

1. **Laat uw elektrisch gereedschap repareren door een vakbekwame reparateur die gebruik maakt van uitsluitend identieke vervangingsonderdelen.** Zo bent u ervan verzekerd dat de veiligheid van het elektrisch gereedschap behouden blijft.
2. **Repareer nooit een beschadigde accu.** Het repareren van een accu mag uitsluitend worden uitgevoerd door de fabrikant of een erkend servicecentrum.

BEWAAR DEZE VOORSCHRIFTEN.

⚠️ WAARSCHUWING: Laat u NIET misleiden door een vals gevoel van comfort en bekendheid met het gereedschap (na veelvuldig gebruik) en neem alle veiligheidsvoorschriften van het betreffende gereedschap altijd strikt in acht.

VERKEERD GEBRUIK of het niet naleven van de veiligheidsvoorschriften in deze gebruiksaanwijzing kan leiden tot ernstige verwondingen.

Belangrijke veiligheidsinstructies voor een accu

1. **Lees alle voorschriften en waarschuwingen op (1) de acculader, (2) de accu, en (3) het product waarvoor de accu wordt gebruikt, alvorens de accu in gebruik te nemen.**
2. **Haal de accu niet uit elkaar en saboteer hem niet.** Dit kan leiden tot brand, buitensporige hitte of een explosie.
3. **Als de gebruikstijd van een opgeladen accu aanzienlijk korter is geworden, moet u het gebruik ervan onmiddellijk stopzetten. Voortgezet gebruik kan oververhitting, brandwonden en zelfs een ontploffing veroorzaken.**
4. **Als elektrolyt in uw ogen is terechtgekomen, spoelt u uw ogen met schoon water en roept u onmiddellijk de hulp van een dokter in. Elektrolyt in de ogen kan blindheid veroorzaken.**
5. **Voorkom kortsluiting van de accu:**
 - (1) **Raak de accuklemmen nooit aan met een geleidend materiaal.**
 - (2) **Bewaar de accu niet in een bak waarin andere metalen voorwerpen zoals spijkers, munten e.d. worden bewaard.**
 - (3) **Stel de accu niet bloot aan water of regen. Kortsluiting van de accu kan oorzaak zijn van een grote stroomafgifte, oververhitting, brandwonden, en zelfs defecten.**
6. **Bewaar en gebruik het gereedschap en de accu niet op plaatsen waar de temperatuur kan oplopen tot 50 °C of hoger.**
7. **Werp de accu nooit in het vuur, ook niet wanneer hij zwaar beschadigd of volledig versleten is. De accu kan ontploffen in het vuur.**
8. **Laat de accu niet vallen, sla er geen spijker in, snijd er niet in, gooi er niet mee en stoot hem niet tegen een hard voorwerp.** Dergelijke handelingen kunnen leiden tot brand, buitensporige hitte of een explosie.
9. **Gebruik nooit een beschadigde accu.**
10. **De bijgeleverde lithium-ionbatterijen zijn onderhevig aan de vereisten in de wetgeving omtrent gevaarlijke stoffen.**

Voor commercieel transport en dergelijke door derden en transporteurs moeten speciale vereisten ten aanzien van verpakking en etikettering worden nageleefd.

Als voorbereiding van het artikel dat wordt getransporteerd is het noodzakelijk een expert op het gebied van gevaarlijke stoffen te raadplegen. Houd u tevens aan mogelijk strengere nationale regelgeving.

Blootliggende contactpunten moeten worden afgedekt met tape en de accu moet zodanig worden verpakt dat deze niet kan bewegen in de verpakking.
11. **Wanneer u de accu wilt weggooien, verwijdert u de accu vanaf het gereedschap en gooit u hem op een veilige manier weg. Volg bij het weggooien van de accu de plaatselijke voorschriften.**
12. **Gebruik de accu's uitsluitend met de**

gereedschappen die door Makita zijn aanbevolen. Als de accu's worden aangebracht in niet-compatibele gereedschappen, kan dat leiden tot brand, buitensporige warmteontwikkeling, een explosie of lekkage van elektrolyt.

13. Als u het gereedschap gedurende een lange tijd niet denkt te gaan gebruiken, moet de accu vanaf het gereedschap worden verwijderd.
14. Tijdens en na gebruik, kan de accu heet worden waardoor brandwonden of koude brandwonden kunnen worden veroorzaakt. Wees voorzichtig bij het hanteren van een hete accu.
15. Raak de aansluitpunten van het gereedschap niet onmiddellijk na gebruik aan omdat deze heet genoeg kunnen zijn om brandwonden te veroorzaken.
16. Zorg ervoor dat geen steenslag, stof of grond vast komt te zitten op/in de aansluitpunten, openingen en groeven van de accu. Hierdoor kan oververhitting, brand, een barst en een storing in het gereedschap of de accu ontstaan waardoor brandwonden of persoonlijk letsel kunnen ontstaan.
17. Behalve indien gebruik van het gereedschap is toegestaan in de buurt van hoogspanningsleidingen, mag u de accu niet gebruiken in de buurt van een hoogspanningsleiding. Dit kan leiden tot een storing of een defect van het gereedschap of de accu.
18. Houd de accu uit de buurt van kinderen.

BEWAAR DEZE INSTRUCTIES.

⚠️ LET OP: Gebruik uitsluitend originele Makita accu's. Het gebruik van niet-originele accu's, of accu's die zijn gewijzigd, kan ertoe leiden dat de accu ontploft en brand, persoonlijk letsel en schade veroorzaakt. Ook vervalt daarmee de garantie van Makita op het gereedschap en de lader van Makita.

Tips voor een maximale levensduur van de accu

1. Laad de accu op voordat hij volledig ontladen is. Stop het gebruik van het gereedschap en laad de accu op telkens wanneer u vaststelt dat het vermogen van het gereedschap is afgenomen.
2. Laad een volledig opgeladen accu nooit opnieuw op. Te lang opladen verkort de levensduur van de accu.
3. Laad de accu op bij een omgevingstemperatuur tussen 10 °C en 40 °C. Laat een warme accu afkoelen alvorens hem op te laden.
4. Als de accu niet wordt gebruikt, verwijdert u hem vanaf het gereedschap of de lader.
5. Laad de accu op als u deze gedurende een lange tijd (meer dan zes maanden) niet gaat gebruiken.

MONTAGE

⚠️ LET OP: Verzeker u er altijd van dat alle accu's zijn verwijderd voordat u enige werkzaamheden aan de machine gaat uitvoeren. Als u niet alle accu's verwijdert, kan dat leiden tot ernstig persoonlijk letsel als gevolg van onbedoeld starten.

De blaaspipen aanbrengen

1. Draai de klemschroef los.
▶ **Fig.2:** 1. Klemschroef
2. Monteer de bedieningshandgreep aan de zwenkpijp en draai de klemschroef vast. Verzeker u ervan de bedieningshandgreep niet verder naar voren te verplaatsen dan de pijlmarkeringen.
▶ **Fig.3:** 1. Bedieningshandgreep 2. Zwenkpijp 3. Klemschroef 4. Pijlmarkeringen

KENNISGEVING: Wees voorzichtig de kabel van de bedieningshandgreep niet te verdraaien wanneer u de bedieningshandgreep aanbrengt op de zwenkpijp.

3. Draai de schroef van de slangklem los en bevestig daarna de slangklem aan het eindmondstuk. Lijn de groeven op het eindmondstuk uit met de uitsteeksel van de zwenkpijp, bevestig vervolgens het eindmondstuk aan de zwenkpijp en draai ten slotte de schroef van de slangklem vast.
▶ **Fig.4:** 1. Eindmondstuk 2. Slangklem 3. Zwenkpijp 4. Groef 5. Uitsteeksel 6. Schroef
4. Draai de schroef van de slangklem los, bevestig vervolgens de mondstukkraan aan de slangklem en bevestig ten slotte de slangklem aan de flexibele pijp. Bevestig de zwenkpijp aan de flexibele pijp en draai daarna de schroef van de slangklem vast.
▶ **Fig.5:** 1. Zwenkpijp 2. Mondstukkraan 3. Slangklem 4. Flexibele pijp 5. Schroef
5. Draai de schroef van de slangklem los en breng daarna de slangklem aan op de flexibele pijp. Bevestig de flexibele pijp aan de elleboogpijp en draai daarna de schroef van de slangklem vast.
▶ **Fig.6:** 1. Flexibele pijp 2. Slangklem 3. Elleboogpijp

KENNISGEVING: Verzeker u ervan dat de schroef van de slangklem niet naar buiten gericht is, zoals aangegeven in de afbeelding.
▶ **Fig.7:** 1. Schroef

6. Klem de bedieningskabel in de kabelklemmen.
▶ **Fig.8:** 1. Kabelklem 2. Bedieningskabel

KENNISGEVING: Verzeker u ervan dat de bedieningskabel stevig is bevestigd aan de kabelhouder.

De heupgordel en het schouderdragstel afstellen

1. Plaats het gereedschap op uw rug, sluit de gesp van de heupgordel en stel daarna de lengte van de heupgordel af.

► Fig.9: 1. Gesp

2. Stel de lengte van het schouderdraagstel af.

► Fig.10: 1. Schouderdraagstel

De positie van de bedieningshendel afstellen

Draai de klemschroef los. Verplaats de bedieningshandgreep langs de zwenkpijp naar de meest comfortabele positie en draai daarna de klemschroef vast. Verplaats de handgreep niet tot voorbij de pijlmarkeringen.

► Fig.11: 1. Bedieningshandgreep 2. Zwenkpijp 3. Klemschroef 4. Pijlmarkeringen

De diffusor aanbrengen

U kunt de nevel verstrooien door de diffusor aan te brengen op het eindmondstuk, zoals aangegeven in de afbeelding.

► Fig.12: 1. Diffusor

De deflector aanbrengen

Optioneel accessoire

U kunt de nevel naar boven en naar beneden afbuigen door de deflector aan te brengen op het eindmondstuk, zoals aangegeven in de afbeelding.

► Fig.13: 1. Deflector

BESCHRIJVING VAN DE FUNCTIES

⚠ LET OP: Verzeker u er altijd van dat het gereedschap is uitgeschakeld en alle accu's zijn verwijderd alvorens de functies op het gereedschap af te stellen of te controleren.

De accu aanbrengen en verwijderen

⚠ LET OP: Schakel het gereedschap altijd uit voordat u de accu aanbrengt of verwijdert.

⚠ LET OP: Houd het apparaat en de accu stevig vast tijdens het aanbrengen of verwijderen van de accu. Als u het apparaat en de accu niet stevig vasthoudt, kunnen deze uit uw handen glijpen waardoor het apparaat of de accu kan worden beschadigd of persoonlijk letsel kan worden veroorzaakt.

⚠ LET OP: Zorg dat u voor gebruik het accudeksel stevig afsluit. Anders zou er modder, vuil en water in kunnen komen en het gereedschap of de accu kunnen beschadigen.

⚠ LET OP: Schuif de accu altijd volledig naar binnen totdat het rode deel niet meer zichtbaar is. Als u dit niet doet, kan de accu per ongeluk uit het apparaat vallen en letsel veroorzaken bij u of anderen in uw omgeving.

⚠ LET OP: Druk de accu er niet met kracht in. Als de accu er niet soepel in schuift, houdt u die waarschijnlijk in de verkeerde stand.

⚠ LET OP: Houd het accudeksel stevig vast tijdens het aanbrengen of verwijderen van de accu.

De accu aanbrengen:

1. Trek de vergrendelhendel omhoog en open daarna het accudeksel.

► Fig.14: 1. Vergrendelhendel 2. Accudeksel

2. Lijn de lip op de accu uit met de gleuf in het apparaat en schuif daarna de accu erin tot deze met een klikgeluid op zijn plaats wordt vergrendeld.

► Fig.15: 1. Accu

3. Sluit het accudeksel en duw erop totdat hij wordt vergrendeld met de borghendel.

De accu verwijderen:

1. Trek de vergrendelhendel omhoog en open het accudeksel.

2. Trek de accu uit het apparaat terwijl u de knop aan de voorkant van de accu verschuift.





► Fig.16: 1. Accu

3. Sluit het accudeksel.

Accucontroleknop

U kunt de resterende acculading controleren door op de accucontroleknop te drukken.

► Fig.17: 1. Accu-indicatorlampje 2. Accucontroleknop

Toestand van accu-indicator			Resterende acculading
 Aan	 Uit	 Knippert	
			50% tot 100%

Toestand van accu-indicator			Resterende acculading
Aan	Uit	Knippert	
			20% tot 50%
			0% tot 20%

OPMERKING: De indicatorlampjes voor de resterende acculading dienen slechts ter referentie. De daadwerkelijke acculading kan verschillen afhankelijk van de gebruiksomstandigheden en omgevingstemperatuur.

OPMERKING: Tijdens het gebruik van het gereedschap branden de indicatorlampjes niet, ook niet als u op de testknop drukt.

OPMERKING: De indicatorlampjes gaan automatisch na enkele seconden uit.

OPMERKING: Als twee accu's zijn aangebracht, wordt eerst de rechter accu gebruikt.

OPMERKING: Als twee accu's zijn aangebracht, schakelt de machine automatisch over op de andere accu wanneer de eerste accu leeg raakt.

De resterende acculading controleren

Druk op de testknop op de accu om de resterende acculading te zien. De indicatorlampjes branden gedurende enkele seconden.

► Fig. 18: 1. Indicatorlampjes 2. Testknop

Indicatorlampjes			Resterende acculading
Brandt	Uit	Knippert	
			75% tot 100%
			50% tot 75%
			25% tot 50%
			0% tot 25%
			Laad de accu op.
			Er kan een storing zijn opgetreden in de accu.

OPMERKING: Afhankelijk van de gebruiksomstandigheden en de omgevingstemperatuur, is het mogelijk dat de aangegeven acculading verschilt van de werkelijke acculading.

OPMERKING: Het eerste (meest linker) indicatorlampje knippert wanneer het accubeveiligingssysteem in werking is getreden.

Beveiligingssysteem voor gereedschap/accu

Het gereedschap is uitgerust met een beveiligingssysteem voor gereedschap/accu. Dit systeem schakelt automatisch de voeding naar de motor uit om de levensduur van het gereedschap en de accu te verlengen. Het gereedschap kan tijdens het gebruik automatisch stoppen als het gereedschap of de accu aan één van de volgende omstandigheden wordt blootgesteld:

Overbelastingsbeveiliging

Als het gereedschap of accu wordt gebruikt op een manier waardoor een abnormaal hoge stroom wordt getrokken, stopt het gereedschap automatisch en knippert de aan-uitlamp groen. Wanneer dat gebeurt, schakelt u het gereedschap uit en stopt u de toepassing die ertoe leidde dat het gereedschap overbelast raakte. Schakel vervolgens het gereedschap in om het weer te starten.

Oververhittingsbeveiliging

Wanneer het gereedschap oververhit is, stopt het gereedschap automatisch en gaat de aan-uitlamp rood branden. In dat geval laat u het gereedschap en de accu afkoelen, voordat u het gereedschap opnieuw inschakelt.

OPMERKING: Wanneer de accu oververhit is, knippert de aan-uitlamp rood.

Beveiliging tegen te ver ontladen

Als de acculading onvoldoende is, stopt het gereedschap automatisch en knippert de aan-uitlamp rood. Verwijder in dat geval de accu vanaf het gereedschap en laad de accu op of vervang de accu door een volledig opgeladen accu.

Beveiliging tegen andere oorzaken

Het beveiligingssysteem is ook ontworpen voor andere oorzaken die de machine kunnen beschadigen, en zorgt ervoor dat de machine automatisch stopt. Voer alle volgende stappen uit om de oorzaken op te heffen, wanneer de machine tijdelijk is onderbroken of tijdens het gebruik is gestopt.

1. Schakel de machine uit en schakel hem daarna weer in om hem opnieuw te starten.
2. Laad de accu(s) op of vervang hem/ze door (een) opgeladen accu(s).
3. Laat de machine en accu(s) afkoelen.

Als geen verbetering optreedt nadat het beveiligingssysteem is gereset, neemt u contact op met uw lokale Makita-servicecentrum.

KENNISGEVING: Als het gereedschap stopt als gevolg van een oorzaak die niet hierboven wordt beschreven, raadpleegt u het hoofdstuk **Problemen oplossen**.

Hoofdschakelaar

⚠ WAARSCHUWING: Zet altijd de hoofdschakelaar uit indien niet in gebruik.

Om het gereedschap in te schakelen, drukt u op de hoofdschakelaar. De lampjes gaan groen branden. Om uit te schakelen, houdt u de hoofdschakelaar ingedrukt totdat de lampjes uit gaan.

► **Fig.19:** 1. Snelheidslampjes 2. Hoofdschakelaar

De snelheid kan worden ingesteld in drie standen. Om de snelheidsstand te veranderen, drukt u op de hoofdschakelaar. Wanneer u de snelheidsstand verandert, gaat het bijbehorende snelheidslampje branden.

OPMERKING: Het gereedschap maakt gebruik van de automatische uitschakelfunctie. Om onbedoeld starten te voorkomen wordt de hoofdschakelaar automatisch uitgeschakeld wanneer het gereedschap niet wordt bediend binnen een bepaalde tijdsduur nadat de hoofdschakelaar is ingeschakeld.

OPMERKING: Als de aan-uitlamp rood brandt, of rood of groen knippert, raadpleegt u de instructies voor het beveiligingssysteem voor gereedschap/accu.

De trekkerschakelaar gebruiken

⚠ WAARSCHUWING: Alvorens de accu in het gereedschap aan te brengen, controleert u altijd of de trekkerschakelaar correct werkt en na loslaten terugkeert naar de uit-stand.

Om het gereedschap te starten, houdt u de activeringschakelaar ingedrukt en knijpt u de trekkerschakelaar in. De snelheid neemt toe naarmate u meer druk uitoefent op de trekkerschakelaar. Laat de trekkerschakelaar los om te stoppen.

► **Fig.20:** 1. Trekkerschakelaar
2. Activeringsschakelaar

De kranen openen en sluiten

Het gereedschap is uitgerust met drie kranen.

Mondstukkraan

De mondstukkraan wordt gebruikt bij het vernevelen. Normaal gesproken staat de mondstukkraan dicht en opent u de mondstukkraan alleen bij het vernevelen.

► **Fig.21:** 1. Dicht 2. Open

Aftapkraan

De aftapkraan wordt gebruikt om de vloeistof in de tank af te tappen. Tijdens gebruik van het gereedschap moet deze kraan altijd dicht staan.

► **Fig.22:** 1. Dicht 2. Open

Tankkraan

De tankkraan wordt gebruikt bij het vervangen van het filter. Tijdens gebruik van het gereedschap moet deze kraan altijd open staan.

► **Fig.23:** 1. Dicht 2. Open

Toevoerinstelknop

U kunt de hoeveelheid vloeistof instellen die wordt toegevoerd naar het eindmondstuk. Om de maximale hoeveelheid vloeistof toe te voeren, draait u de knop zodat "4" is uitgelijnd met de driehoekmarkering. Om de minimale hoeveelheid vloeistof toe te voeren, draait u de knop zodat "1" is uitgelijnd met de driehoekmarkering.

► **Fig.24:** 1. Toevoerinstelknop 2. Driehoekmarkering

Elektronische functies

Het gereedschap is uitgerust met elektronische aansturing voor een gemakkelijke bediening.

- Constant-toerentalregeling
De toerentalregelfunctie zorgt voor een constant toerental ongeacht de belastingsomstandigheden.
- Werking van de toevoerklep
Het gereedschap is uitgerust met een toevoerklep. De toevoerklep gaat automatisch open om de vloeistof uit de tank toe te voeren wanneer de trekkerschakelaar wordt ingeknepen, en gaat automatisch dicht wanneer de trekkerschakelaar wordt losgelaten.

Beveiliging tegen onopzettelijk herstarten

Als u het gereedschap inschakelt terwijl u de activeringsschakelaar en trekkerschakelaar ingeknepen houdt, start het gereedschap niet en knippert de aan-uitlamp groen. Om het gereedschap te kunnen starten, laat u eerst de trekkerschakelaar los en schakelt u vervolgens het gereedschap in.

BEDIENING

⚠ LET OP: Wanneer u het gereedschap op uw rug plaatst, verzekert u zich ervan dat u het schouderdraagstel om uw beide schouders ligt. Anders kan het gereedschap vallen wanneer u het gereedschap op uw rug plaatst of gebruikt, en letsel veroorzaken.

⚠ LET OP: Wanneer u het gereedschap draagt, verzekert u zich ervan dat u het gereedschap op uw rug plaatst. Anders kan het gereedschap tijdens gebruik vallen en letsel veroorzaken.

⚠ LET OP: Plaats het gereedschap niet op de grond terwijl het in werking is. Zand of stof kan in de aanzuigopening binnendringen en een storing of persoonlijk letsel veroorzaken.

Voordat u het gereedschap bedient, stelt u de lengte van het schouderdraagstel en de heupgordel af.

1. Plaats het gereedschap op een vlakke en stabiele ondergrond.
2. Verzekert u ervan dat de kranen in de volgende standen staan.

- De aftapkraan staat dicht.

► **Fig.25:** 1. Aftapkraan

- De tankkraan staat open.
- ▶ **Fig.26:** 1. Tankkraan
- De mondstukkraan staat dicht.
- ▶ **Fig.27:** 1. Mondstukkraan
- 3. Open de tankdop en plaats de zeef.
- ▶ **Fig.28:** 1. Tankdop 2. Zeef
- 4. Giet de vloeistof in de tank en draai daarna de tankdop erop.
- ▶ **Fig.29**
- 5. Plaats het gereedschap op uw rug en sluit de gesp van de heupgordel.
- 6. Draai de mondstukkraan zodanig dat de mondstukkraan open staat.
- ▶ **Fig.30:** 1. Mondstukkraan
- 7. Schakel het gereedschap in, houd de bedieningshandgreep stevig vast en voer het vernevelen uit.

Draai na gebruik de mondstukkraan zodanig dat de mondstukkraan dicht staat.

Wanneer u het gereedschap wilt neerzetten, maakt u eerst de gesp van de heupgordel los en zet u vervolgens het gereedschap voorzichtig neer.

▶ **Fig.31:** 1. Gesp

OPMERKING: U kunt de vloeistof in de tank roeren door de zeef te draaien, zoals aangegeven in de afbeelding.

▶ **Fig.32:** 1. Zeef

ONDERHOUD

⚠ LET OP: Verzeker u er altijd van dat de accu's uit de machine zijn verwijderd voordat u de machine opbergt of draagt, of voordat u inspectie of onderhoud gaat verrichten.

Om de VEILIGHEID en BETROUWBAARHEID van het gereedschap te handhaven, dienen alle reparaties, onderhoud of afstellingen te worden uitgevoerd bij een erkend Makita-servicecentrum of de Makita-fabriek, en altijd met gebruik van Makita-ervangingsonderdelen.

De vloeistof aftappen

Wanneer u de vloeistof in de tank wilt aftappen, maakt u de slang los van de hoofdeenheid en opent u de aftapkraan om de vloeistof in de tank af te tappen in een opvangbak. Nadat de vloeistof is afgetapt, zet u de aftapkraan dicht en sluit u de slang weer aan op de hoofdeenheid.

▶ **Fig.33:** 1. Aftapkraan 2. Slang

OPMERKING: Om de tank helemaal leeg te maken, kantelt u de hoofdeenheid iets in de richting van de aftapslang.

Het gereedschap reinigen

KENNISGEVING: Gebruik nooit benzine, wasbenzine, thinner, alcohol en dergelijke. Hierdoor kunnen verkleuring, vervormingen en barsten worden veroorzaakt.

Reinig het gereedschap door het stof eraf te vegen met een droge doek of een doek gedoopt in zeepwater en uitgewrongen.

Verwijder stof en vuil vanaf de aanzuigopening.

▶ **Fig.34:** 1. Aanzuigopening

Het filter reinigen

Reinig het filter regelmatig. Om het filter te reinigen, volgt u de onderstaande stappen.

1. Verwijder de accu's en sluit daarna de tankkraan.
2. Verwijder de filterdop door deze linksom te draaien en verwijder daarna het filter.
- ▶ **Fig.35:** 1. Filterdop 2. Filter
3. Reinig het filter met stromend water.
4. Breng het filter aan in de hoofdeenheid en draai daarna de filterdop stevig erop.
5. Open de tankkraan.

Opslag

Alvorens het apparaat op te bergen, voert u alle onderhoudswerkzaamheden uit. Berg het gereedschap op een plaats op die buiten het bereik van kinderen ligt en die niet is blootgesteld aan vocht, regen of direct zonlicht.

U kunt de riem van de pijp vastmaken aan het gereedschap, zoals aangegeven in de afbeelding, om de pijp recht op te zetten.

▶ **Fig.36:** 1. Riem

De sproeier verwisselen

U kunt de standaardsproeier verwisselen met de ULV-sproeier (ULV = Ultra Low Volume). De ULV-sproeier kan een fijnere nevel produceren dan de standaard-sproeier. Om de sproeier te vervangen, volgt u de onderstaande stappen.

1. Draai de schroef los en verwijder hem. Verwijder vervolgens het voorste deel van het eindmondstuk.
- ▶ **Fig.37:** 1. Schroef 2. Eindmondstuk
2. Verwijder de standaard-sproeier door de sproeier met behulp van een steeksleutel linksom te draaien.
- ▶ **Fig.38:** 1. Steeksleutel 2. Standaard-sproeier
3. Verwijder de O-ring vanaf de standaard-sproeier en bevestig deze vervolgens op de ULV-sproeier.
- ▶ **Fig.39:** 1. O-ring 2. Standaard-sproeier 3. ULV-sproeier
4. Verwijder de ULV-sproeier door de sproeier met behulp van een steeksleutel rechtsom te draaien.
- ▶ **Fig.40:** 1. Steeksleutel 2. ULV-sproeier

KENNISGEVING: Draai de sproeier niet te strak aan. Het aanbevolen aanhaalkoppel is ongeveer 1,0 N•m. Als de sproeier te strak wordt aangedraaid, kan het bevestigingsdeel van de sproeier worden beschadigd.

5. Bevestig het eindmondstuk en draai de schroef vast.

► Fig.41: 1. Schroef 2. Eindmondstuk

PROBLEMEN OPLOSSEN

Alvorens om reparatie te verzoeken, voert u eerst zelf een inspectie uit. Als u een probleem ondervindt dat niet in deze gebruiksaanwijzing wordt beschreven, mag u niet proberen het gereedschap uit elkaar te halen. Laat reparaties over aan een erkend Makita-servicecentrum, en altijd met gebruikmaking van originele Makita-ervangingsonderdelen.

Probleemomschrijving	Waarschijnlijke oorzaak (storing)	Oplossing
Motor loopt niet.	De accu is niet aangebracht.	Breng de accu's aan.
	Probleem met de accu (lage spanning).	Laad de accu op. Als het opladen niet helpt, vervangt u de accu.
	De aandrijving werkt niet goed.	Vraag uw plaatselijke, erkende servicecentrum het gereedschap te repareren.
De motor stopt na kort te hebben gedraaid.	De accu is bijna leeg.	Laad de accu op. Als het opladen niet helpt, vervangt u de accu.
	Oververhitting.	Stop het gebruik van het gereedschap en laat het afkoelen.
Er wordt geen nevel geproduceerd.	De tank is leeg.	Vul de tank met vloeistof.
	De mondstukkraan of tankkraan staat dicht.	Open de mondstukkraan en tankkraan.
	De sproeier is verstopt.	Verwijder de standaardsproeier of ULV-sproeier en reinig vervolgens de sproeier met stromend water om het verstoppende materiaal te verwijderen.
	Het filter is verstopt.	Verwijder het filter en reinig vervolgens het filter met stromend water om het verstoppende materiaal te verwijderen.
Het gereedschap bereikt niet de maximumsnelheid.	De accu is niet goed aangebracht.	Breng de accu aan zoals beschreven in deze gebruiksaanwijzing.
	Het accuvermogen neemt af.	Laad de accu op. Als het opladen niet helpt, vervangt u de accu.
	De aandrijving werkt niet goed.	Vraag uw plaatselijke, erkende servicecentrum het gereedschap te repareren.
Abnormale trillingen: ⇒ stop het gereedschap onmiddellijk!	De aandrijving werkt niet goed.	Vraag uw plaatselijke, erkende servicecentrum het gereedschap te repareren.
De motor kan niet stoppen: ⇒ verwijder de accu onmiddellijk!	Elektrische of elektronische storing.	Verwijder de accu en vraag uw plaatselijk erkende servicecentrum het gereedschap te repareren.

OPTIONELE ACCESSOIRES

⚠ LET OP: Deze accessoires of hulpstukken worden aanbevolen voor gebruik met het Makita-product dat in deze gebruiksaanwijzing wordt beschreven. Het gebruik van andere accessoires of hulpstukken kan gevaar voor persoonlijk letsel opleveren. Gebruik de accessoires of hulpstukken uitsluitend voor de aangegeven doeleinden.

- Deflector
- Originele Makita accu's en acculaders

OPMERKING: Sommige items op de lijst kunnen zijn inbegrepen in de doos van het product als standaard toebehoren. Deze kunnen van land tot land verschillen.

Wenst u meer bijzonderheden over deze accessoires, neem dan contact op met het plaatselijke Makita-servicecentrum.

ESPECIFICACIONES

Modelo:		PM001G
Capacidades	Volumen de aire	7,4 - 14,3 m ³ /min *1
	Velocidad del aire (promedio)	28,0 - 53,0 m/s
	Velocidad del aire (máx.)	34,0 - 64,0 m/s
Capacidad del depósito		15 l
Volumen residuos totales		50 ml o menos
Dimensiones (La x An x Al) (con boquilla final)		320 mm x 600 mm x 690 mm
Tensión nominal		CC 36 V - 40 V máx.
Peso neto	*2	11,9 kg
	*3	12,8 - 15,7 kg
Grado de protección		IPX4

- Debido a nuestro continuado programa de investigación y desarrollo, las especificaciones aquí dadas están sujetas a cambios sin previo aviso.
- Las especificaciones pueden ser diferentes de país a país.

*1: El caudal máximo de aire es de 858 m³/h.

*2: Peso cuando el depósito está vacío, sin las baterías, con tubos, boquilla y arneses.

*3: La combinación de peso más ligera y la más pesada de acuerdo con el procedimiento EPTA 01/2014. El peso puede variar dependiendo del accesorio (o accesorios), incluyendo el cartucho (o cartuchos) de batería.

Cartucho de batería y cargador aplicables

Cartucho de batería	BL4040F / BL4050F / BL4080F
Cargador	DC40RA / DC40RB / DC40RC / DC40WA

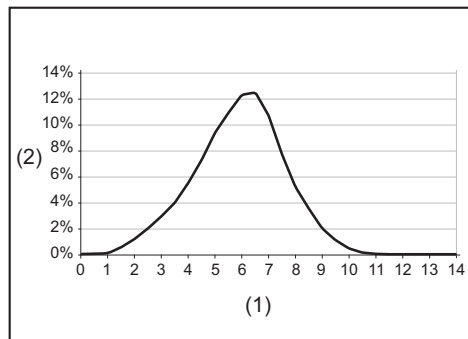
- Algunos de los cartuchos de batería y cargadores indicados arriba puede que no estén disponibles dependiendo de su región de residencia.

⚠ADVERTENCIA: Utilice solamente los cartuchos de batería y cargadores indicados arriba. La utilización de cualquier otro cartucho de batería y cargador puede ocasionar heridas y/o un incendio.

⚠ADVERTENCIA: No utilice un suministro de alimentación con cable tal como una unidad portátil de alimentación eléctrica con esta máquina.

Especificaciones de pulverización

Alcance de la pulverización horizontal



(1) Distancia desde el suministro del caudal (m)

(2) Porcentaje de sustancia depositada en el terreno

Tamaño de las gotitas

Tamaño de las gotitas con boquilla estándar

Ajuste del pomo de regulación	Dv 0.1	Dv 0.5	Dv 0.9
1	22 µm	57 µm	112 µm
2	37 µm	102 µm	251 µm
3	40 µm	111 µm	267 µm
4	42 µm	115 µm	280 µm

Tamaño de las gotitas con la boquilla ULV

Ajuste del pomo de regulación	Dv 0.1	Dv 0.5	Dv 0.9
1 - 4	14 µm	41 µm	85 µm

Tasa de descarga para posiciones de trabajo

► Fig.1

Tasa de descarga con la boquilla estándar

Ajuste del pomo de regulación	Ángulo de la boquilla		
	- 30°	0°	30°
1	0,23 l/min	0,19 l/min	0,12 l/min
2	1,13 l/min	0,71 l/min	0,34 l/min
3	1,37 l/min	0,95 l/min	0,49 l/min
4	1,55 l/min	1,21 l/min	0,51 l/min

Tasa de descarga con la boquilla ULV

Ajuste del pomo de regulación	Ángulo de la boquilla		
	- 30°	0°	30°
1 - 4	0,05 l/min	0,04 l/min	0,03 l/min

NOTA: Los valores en estas especificaciones de pulverización pueden variar en función de las condiciones de trabajo o la temperatura ambiente.

Símbolos

A continuación se muestran los símbolos que pueden ser utilizados para el equipo. Asegúrese de que entienda su significado antes de utilizar.

	Preste cuidado y atención especiales.
	Lea el manual de instrucciones.
	Utilice protección para los ojos y oídos.
	Póngase protección respiratoria.
	No exponga a la humedad.
	Utilice botas robustas con suelas antideslizantes. Se recomienda utilizar botas de seguridad con puntera de acero.
	Póngase guantes de protección.
	Póngase ropa de protección.
	Mantenga a los transeúntes alejados cuando pulverice.
	Mantenga las manos alejadas de las partes giratorias.
	El cabello largo puede enredarse y ocasionar un accidente.
	Mantenga alejados a los transeúntes.
	Peso cuando el depósito está vacío.
	Peso cuando el depósito está lleno.



Sólo para países de la Unión Europea
Debido a la presencia de componentes peligrosos en el equipo, el equipo eléctrico y electrónico, los acumuladores y las baterías desechados pueden tener un impacto negativo para el medioambiente y la salud humana.

¡No tire los aparatos eléctricos y electrónicos ni las baterías junto con los residuos domésticos!

De conformidad con las Directivas Europeas sobre residuos de aparatos eléctricos y electrónicos y sobre acumuladores y baterías y residuos de acumuladores y baterías, así como la adaptación de las mismas a la ley nacional, el equipo eléctrico, las baterías y los acumuladores desechados deberán ser almacenados por separado y trasladados a un punto distinto de recogida de desechos municipales, que cumpla con los reglamentos sobre protección medioambiental.

Esto se indica mediante el símbolo de cubo de basura tachado colocado en el equipo.



Nivel de potencia del sonido garantizado de acuerdo con la Directiva UE sobre ruido ambiental.



Nivel de potencia del sonido de acuerdo con el reglamento para el control de ruido en NSW, Australia

Uso previsto

La máquina ha sido prevista para rociar neblina.

Ruido

El nivel de ruido A-ponderado típico determinado de acuerdo con la norma ISO22868:

Nivel de presión sonora (L_{pA}): 84,5 dB (A)

Nivel de potencia sonora (L_{WA}): 103,3 dB (A)

Error (K): 2,3 dB (A)

NOTA: El valor (o los valores) de emisión de ruido declarado ha sido medido de acuerdo con un método de prueba estándar y se puede utilizar para comparar una herramienta con otra.

NOTA: El valor (o valores) de emisión de ruido declarado también se puede utilizar en una valoración preliminar de exposición.

⚠ADVERTENCIA: Póngase protectores para oídos.

⚠ADVERTENCIA: La emisión de ruido durante la utilización real de la herramienta eléctrica puede variar del valor (o los valores) de emisión declarado dependiendo de las formas en las que la herramienta sea utilizada, especialmente qué tipo de pieza de trabajo se procesa.

⚠ADVERTENCIA: Asegúrese de identificar medidas de seguridad para proteger al operario que estén basadas en una estimación de la exposición en las condiciones reales de utilización (teniendo en cuenta todas las partes del ciclo operativo como las veces cuando la herramienta está apagada y cuando está funcionando en vacío además del tiempo de gatillo).

Vibración

El valor total de la vibración (suma de vectores triaxiales) determinado de acuerdo con la norma ISO22867:

Modo de trabajo: operación sin carga

Emisión de vibración (a_h): 2,5 m/s² o menos

Error (K): 1,5 m/s²

NOTA: El valor (o los valores) total de emisión de vibración declarado ha sido medido de acuerdo con un método de prueba estándar y se puede utilizar para comparar una herramienta con otra.

NOTA: El valor (o los valores) total de emisión de vibración declarado también se puede utilizar en una valoración preliminar de exposición.

⚠ADVERTENCIA: La emisión de vibración durante la utilización real de la herramienta eléctrica puede variar del valor (o los valores) de emisión declarado dependiendo de las formas en las que la herramienta sea utilizada, especialmente qué tipo de pieza de trabajo se procesa.

⚠ADVERTENCIA: Asegúrese de identificar medidas de seguridad para proteger al operario que estén basadas en una estimación de la exposición en las condiciones reales de utilización (teniendo en cuenta todas las partes del ciclo operativo como las veces cuando la herramienta está apagada y cuando está funcionando en vacío además del tiempo de gatillo).

Declaraciones de conformidad

Para países europeos solamente

Las declaraciones de conformidad están incluidas como Anexo A de este manual de instrucciones.

ADVERTENCIAS DE SEGURIDAD

Advertencias de seguridad para herramientas eléctricas en general

⚠ADVERTENCIA Lea todas las advertencias de seguridad, instrucciones, ilustraciones y especificaciones provistas con esta herramienta eléctrica. Si no sigue todas las instrucciones indicadas abajo, podrá resultar en una descarga eléctrica, un incendio y/o heridas graves.

Guarde todas las advertencias e instrucciones para futuras referencias.

El término "herramienta eléctrica" en las advertencias se refiere a su herramienta eléctrica de funcionamiento con conexión a la red eléctrica (con cable) o herramienta eléctrica de funcionamiento a batería (sin cable).

Instrucciones de seguridad para el pulverizador de mochila inalámbrico

⚠️ ADVERTENCIA: Lea todas las advertencias de seguridad y todas las instrucciones. Si no sigue las advertencias e instrucciones podrá resultar en una descarga eléctrica, un incendio y/o heridas graves.

Guarde todas las advertencias e instrucciones para futuras referencias.

Instrucciones generales

1. Para garantizar una operación correcta y segura, el usuario tiene que leer, entender y seguir este manual de instrucciones a fin de asegurar su familiaridad con el manejo de la máquina. Los usuarios insuficientemente informados se pondrán en riesgo de peligro a sí mismos y a otros debido a un manejo incorrecto.
2. Se recomienda prestar la máquina solamente a personas que hayan demostrado tener experiencia con pulverizadores.
3. A los niños y personas jóvenes de menos de 18 años de edad no se les debe permitir utilizar la máquina. Sin embargo, las personas de más de 16 años de edad podrán usar la máquina para el propósito de aprender a usarla pero solo bajo la supervisión directa de un instructor cualificado.
4. Utilice solamente productos de protección de plantas que hayan sido homologados específicamente para ser usados con pulverizadores por el fabricante y que satisfagan todos los reglamentos, normas y ordenanzas de seguridad aplicables.
5. Todas las personas operarias y de servicio deberán estar adiestradas y familiarizadas con los procedimientos de manejo apropiados para los productos químicos que se estén usando, así como con los reglamentos sobre el desecho de productos químicos líquidos.
6. Para reducir el riesgo de heridas cuando utilice productos químicos, póngase ropa de protección apropiada cuando rellene, utilice y limpie el pulverizador. Siga siempre todas las instrucciones del fabricante del producto químico con respecto a la protección de ojos, piel y respiratoria apropiada.
7. Cuando se utilizan productos químicos tóxicos, el operario y cualquier transeúnte pueden necesitar ponerse un respirador debidamente ajustado para el producto químico que se esté usando. Consulte la etiqueta del producto químico. La respiración de productos químicos puede ocasionar heridas graves o fatales.

Uso previsto de la máquina

1. La máquina ha sido prevista solamente para pulverizar productos químicos líquidos y otros líquidos para el control de insectos nocivos y hierbajos en huertos de frutas, flores y

verduras, sobre árboles y arbustos y sobre otras plantas, como de café, tabaco y algodón. También es útil en el mantenimiento de árboles jóvenes para controlar el escarabajo de la corteza y otros insectos nocivos y enfermedades de las plantas. No utilizar nunca para otros propósitos.

Capacitación

1. Lea las instrucciones atentamente. Familiarícese con los controles y el uso correcto de la máquina.
2. No permita nunca que niños, personas con capacidades físicas, sensoriales o mentales reducidas o falta de experiencia y conocimiento o personas no familiarizadas con estas instrucciones utilicen la máquina. Puede que los reglamentos locales restrinjan la edad del operario.
3. No utilice nunca la máquina cuando haya gente, especialmente niños, o animales domésticos cerca.
4. Tenga en cuenta que el operario o usuario es el responsable de los accidentes o riesgos ocasionados a otras personas o a sus propiedades.

Preparación

1. Póngase siempre calzado robusto y pantalones largos mientras utiliza la máquina.
2. No se ponga ropa holgada ni joyas que puedan ser atraídas hacia la entrada de aire. Mantenga el cabello largo alejado de las entradas de aire.
3. Para evitar irritación debida al polvo se recomienda ponerse una máscara.
4. Mientras esté operando la máquina, póngase siempre calzado antideslizante y de protección. Las botas y zapatos de seguridad antideslizantes cerrados reducirán el riesgo de heridas.
5. Póngase siempre guantes de goma/resistentes a los productos químicos y botas de goma/resistentes a los productos químicos cuando trabaje con la máquina.

Manejo de los productos químicos

1. Algunos productos químicos pueden contener sustancias tóxicas y/o cáusticas. Tales productos químicos pueden ser peligrosos y ocasionar heridas graves o fatales a personas y animales y/o graves daños a las plantas y al medioambiente. Evite el contacto directo con los productos químicos. Siga las instrucciones del fabricante del producto químico con respecto a cualquier contacto con su producto.
2. Lea la etiqueta del fabricante y el manual de instrucciones cada vez antes de mezclar o utilizar el producto químico y antes de almacenarlo o desecharlo. Un uso descuidado o incorrecto puede ocasionar heridas graves o fatales.
3. Lea atentamente las etiquetas del recipiente del producto químico antes de utilizar. Los productos químicos están clasificados en categorías de toxicidad. Cada categoría tendrá características de manejo únicas. Familiarícese con las características de la categoría del producto químico que esté

usando. Los productos químicos podrán ser usados solamente por personas capacitadas para su manejo y las medidas de primeros auxilios apropiadas.

4. Los productos químicos pueden ser nocivos para las personas, animales y el medioambiente si se usan incorrectamente. Se aconseja no usar algunos productos químicos que sean cáusticos, corrosivos o venenosos con la máquina.
5. Mezcle solo pesticidas compatibles. Las mezclas incorrectas pueden producir vapores tóxicos. Cuando maneje y pulverice productos químicos, asegúrese de que lo está haciendo de acuerdo con las normas y directrices de protección medioambiental locales. No pulverice cuando el tiempo sea ventoso. Para ayudar a proteger el medioambiente, utilice solamente la dosis recomendada.
6. Evite abrir la boca, como para comer, beber o fumar mientras maneja productos químicos o mientras esté pulverizando. No sople nunca a través de boquillas, tubos, cañerías ni de cualquier otro componente con la boca. Maneje siempre los productos químicos en un área bien ventilada y llevando puesta ropa de protección y equipo de seguridad apropiados.
7. No guarde ni transporte productos químicos junto con alimentos, bebidas o medicinas, y no reutilice nunca un recipiente de producto químico para ningún otro propósito. No transfiera productos químicos líquidos a otros recipientes, especialmente recipientes de alimentos y/o bebidas.
8. Mantenga la etiqueta del producto preparada para leerla o mostrársela a las personas que consulte. Limpie todos los derrames de productos químicos inmediatamente. En caso de un contacto accidental o ingestión de productos químicos o en caso de contaminación de la ropa, deje de trabajar y consulte inmediatamente las instrucciones del fabricante del producto químico. Si tiene dudas sobre qué hacer, pregunte a un médico o centro de información toxicológico para que le aconsejen inmediatamente.
9. Deseche cualquier residuo observando las leyes y reglamentos de su región de residencia.
10. Mantenga los productos químicos alejados del alcance de los niños, otras personas no autorizadas y animales. Cuando no los esté utilizando, guarde los productos químicos en un lugar seguro y cerrado con llave. Siga las recomendaciones del fabricante para el almacenamiento apropiado.

Preparación de los productos químicos

1. Prepare las soluciones químicas siguiendo las instrucciones del fabricante del producto químico.
2. Prepare solución solamente suficiente para el trabajo en cuestión de manera que no sobre solución.
3. Mezcle los productos químicos solamente siguiendo las instrucciones. Las mezclas

incorrectas pueden producir vapores tóxicos o mezclas explosivas.

4. No pulverice nunca productos químicos no diluidos.
5. Prepare la solución y llene el recipiente en exteriores solamente en un lugar bien ventilado.

Almacenamiento de los productos químicos

1. No almacene una solución pulverizante en el recipiente por más de un día.
2. Guarde y transporte siempre la solución pulverizante en recipientes homologados.
3. No guarde ni transporte nunca la solución pulverizante en recipientes previstos para alimentos, bebidas o alimentos para animales.
4. No guarde ni transporte la solución pulverizante con alimentos, bebidas o alimentos para animales.
5. Mantenga la solución pulverizante alejada del alcance de los niños, otras personas no autorizadas y animales.
6. Guarde la solución pulverizante en un lugar cerrado con llave protegido contra un uso no autorizado.

Desecho de los productos químicos

1. No deseche nunca residuos químicos ni soluciones enjuagadas contaminadas en vías fluviales, desagües, alcantarillas, cunetas de la calle, bocas de alcantarillas o similares.
2. Cuando deseche un enjuague contaminado, observe todas las leyes, reglamentos y ordenanzas aplicables.
3. Observe estrictamente las instrucciones de precaución del fabricante del producto químico.

Para rellenar el depósito

1. Asegúrese de que la palanca de drenaje y la palanca de la boquilla están cerradas.
2. Antes de utilizar el pulverizador con productos químicos, llene el depósito con agua dulce para asegurarse de que lo ha ensamblado debidamente y practique pulverizando. Además, compruebe por si hay alguna fuga en este momento. Cuando se haya familiarizado completamente con la operación del pulverizador, siga los procedimientos de operación normales.
3. Llene el depósito en áreas bien ventiladas o en exteriores.
4. No utilice sustancias inflamables en el pulverizador, lo cual podrá ocasionar una explosión y resultar en heridas graves o fatales.
5. No utilice materiales cáusticos o corrosivos en el pulverizador, lo cual podrá resultar en daños a la máquina.
6. No utilice líquido con temperatura que exceda los 50°C (122°F) para reducir el riesgo de escaldamiento y daños a la máquina.
7. Para llenar el depósito, ponga el pulverizador sobre una superficie nivelada. Para reducir el riesgo de contaminación del entorno circundante, tenga cuidado de no llenar en exceso el depósito con la solución química.

8. To reduce el riesgo de heridas, no llene el depósito mientras lleve puesta la máquina en su espalda.
9. Si llena el recipiente de la solución con una manguera colocada en un suministro de agua central, asegúrese de que el extremo de la manguera está fuera de la solución para reducir el riesgo de reflujos.
10. Calcule la cantidad correcta de solución química para que se agote de una sola vez, sin que quede solución sobrante en el depósito.
11. Después de llenar, apriete la tapa del depósito firmemente.
12. Compruebe por si hay fugas mientras rellena y durante la operación. Una fuga en el depósito o un adaptador flojo podrá empapar su ropa y entrar en contacto con la piel.
13. Llene el depósito con líquido de acuerdo con la talla y fuerza del operario.

Operación

1. Apague la máquina y retire los cartuchos de batería y asegúrese de que todas las piezas móviles se han parado completamente
 - siempre que deje la máquina.
 - antes de despejar bloqueos.
 - antes de comprobar o limpiar la máquina, o trabajar en la máquina.
 - si la máquina comienza a vibrar anormalmente.
2. Utilice la máquina solamente en luz diurna o con buena luz artificial.
3. No trabaje donde no alcance y mantenga el equilibrio apropiado y los pies sobre suelo firme en todo momento.
4. Asegúrese siempre de que en pendientes apoya bien los pies.
5. Camine, nunca corra.
6. Mantenga todas las entradas de aire de refrigeración libres de desechos.
7. No pulverice nunca en dirección de los transeúntes.
8. Utilice la máquina adoptando una postura recomendada y sobre una superficie firme.
9. No utilice la máquina en lugares altos.
10. No apunte nunca la boquilla hacia nadie en los alrededores cuando esté utilizando la máquina.
11. No bloquee nunca la boca de succión y/o la salida del pulverizador.
 - Tenga cuidado de no bloquear la boca de succión ni la salida del pulverizador con polvo o suciedad cuando trabaje en una zona polvorienta.
 - No utilice boquillas distintas de las boquillas suministradas por Makita.
12. No utilice la máquina cerca de una ventana abierta, etc.
13. Se recomienda utilizar la máquina solamente a horas razonables -no temprano por la mañana o tarde por la noche cuando la gente pueda ser molestada.
14. Si la máquina golpea algún objeto extraño o si comenzase a hacer algún ruido o vibración

inusual, apague inmediatamente la máquina y párela. Retire los cartuchos de batería de la máquina e inspeccione la máquina por si está dañada antes de volver a encender y operar la máquina. Si la máquina está dañada, pida al centro de servicio autorizado de Makita que le hagan la reparación.

15. No inserte los dedos u otros objetos en la boca de succión ni en la salida del pulverizador.
16. Evite los arranques involuntarios. Asegúrese de que el interruptor está en la posición desactivada antes de insertar los cartuchos de batería, y de recoger o transportar la máquina. Transportar la máquina con el dedo en el interruptor o suministrar energía a la máquina teniendo el interruptor activado es una invitación a accidentes.
17. No utilice la máquina cerca de materiales inflamables.
18. Evite utilizar la máquina durante largo tiempo en un entorno de baja temperatura.
19. No utilice la máquina cuando exista el riesgo de relámpagos.
20. Cuando utilice la máquina en suelo enlodado, pendiente mojada, o lugar resbaladizo, preste atención a donde pisa.
21. No utilice la máquina en mal tiempo donde la visibilidad sea limitada. En caso contrario, podrá ocasionar una caída u operación incorrecta debido a la mala visibilidad.
22. No sumerja la máquina en un charco.
23. No deje la máquina sin atender en exteriores en la lluvia.
24. No utilice la máquina en la nieve.
25. Durante la operación, mantenga el cable alejado de obstáculos. Si el cable se engancha en obstáculos puede ocasionar heridas graves.
26. Evite trabajar a temperaturas bajo cero porque el líquido del depósito se puede congelar.

Después de la operación

1. Lávese siempre meticulosamente con jabón y agua después de pulverizar o manejar productos químicos. Dúchese inmediatamente, y lave toda la ropa de protección sin juntarla con otras prendas. Siga cualquier recomendación adicional del fabricante del producto químico.
2. Vacíe, enjuague y limpie el depósito y el colador después de cada uso. Esto ayudará a evitar que la solución cristalice, lo cual más tarde podría ocasionar un atasco y daño químico a la máquina. Además, los residuos químicos pueden tener efectos no deseados durante la subsiguiente pulverización con un tipo de producto químico diferente (p. ej., el herbicida residual puede dañar o matar las plantas que estén siendo pulverizadas con un pesticida).
3. No guarde la máquina con solución pulverizante en el depósito.

Mantenimiento y almacenamiento

1. Mantenga todas las tuercas, pernos y tornillos apretados para asegurarse de que la máquina está en condiciones de trabajo seguras.
2. Si las piezas están desgastadas o dañadas, reemplácelas con piezas suministradas por

Makita.

3. Guarde la máquina en un lugar seco fuera del alcance de los niños.
4. Cuando pare la máquina para hacerle una inspección, servicio, guardarla o cambiar un accesorio, apague la máquina y asegúrese de que todas las partes móviles se han parado completamente, y retire los cartuchos de batería. Deje enfriar la máquina antes de hacer cualquier trabajo en la máquina. Haga con cuidado el mantenimiento a la máquina y manténgala limpia.
5. Deje enfriar siempre la máquina antes de guardarla.
6. No exponga la máquina a la lluvia. Guarde la máquina en interiores.
7. Cuando levante la máquina, asegúrese de doblar sus rodillas y tenga cuidado de no dañarse la espalda.
8. Cuando lave la máquina, no deje que entre agua en el mecanismo eléctrico como la batería, el motor, y los terminales.
9. Cuando almacene la máquina, evite la luz solar directa y la lluvia, y almacénala en un lugar donde no se caliente o humedezca.
10. Cuando transporte la máquina, asegúrese de sujetarla firmemente.
11. Cuando transporte la máquina, tenga cuidado de que el cable no se enganche en los obstáculos.

Utilización y cuidado de la herramienta a batería

1. **Cargue la batería solamente con el cargador especificado por el fabricante.** Un cargador que es apropiado para un tipo de batería puede crear un riesgo de incendio cuando se utiliza con otra batería.
2. **Utilice las herramientas eléctricas solamente con las baterías designadas específicamente para ellas.** La utilización de cualquier otra batería puede crear un riesgo de heridas o incendio.
3. **Cuando la batería no esté siendo utilizada, guárdela alejada de otros objetos metálicos, como sujetapapeles, monedas, llaves, clavos, tornillos u otros objetos metálicos pequeños, que puedan hacer conexión entre un terminal y el otro.** Si se cortocircuitan entre sí los terminales de la batería podrán producirse quemaduras o un incendio.
4. **En condiciones abusivas, es posible que salga expulsado líquido de la batería; evite el contacto con él.** Si se produce un contacto accidental, enjuague con agua. Si el líquido entra en los ojos, además de enjuagarlos, solicite asistencia médica. El líquido expulsado de la batería puede ocasionar irritación y quemaduras.
5. **No utilice una batería o herramienta que esté dañada o modificada.** Las baterías dañadas o modificadas pueden comportarse de forma impredecible resultando en un incendio, explosión o riesgo de heridas.
6. **No exponga una batería o herramienta al fuego o a temperatura excesiva.** La exposición al fuego o a una temperatura superior a los 130 °C puede ocasionar una explosión.

7. **Siga todas las instrucciones de carga y no cargue la batería o la herramienta fuera del rango de temperatura especificado en las instrucciones.** Cargar incorrectamente o a temperaturas fuera del rango especificado puede dañar la batería y aumentar el riesgo de incendio.

Seguridad eléctrica y de la batería

1. **No deseché la batería(s) arrojándola al fuego.** La célula puede explotar. Compruebe los códigos locales por si hay instrucciones para el posible desecho especial.
2. **No abra o mutile la batería(s).** El electrolito liberado es corrosivo y puede ocasionar daño a los ojos o la piel. Puede ser tóxico si se traga.
3. **No cargue la batería bajo la lluvia, o en lugares mojados.**
4. **No cargue la batería en exteriores.**
5. **No maneje el cargador, incluida la clavija del cargador, y los terminales del cargador con las manos mojadas.**
6. **No reemplace la batería con las manos mojadas.**
7. **No reemplace la batería en la lluvia.**
8. **No moje el terminal de la batería con líquido como agua, ni sumerja la batería. No deje la batería en la lluvia, ni cargue, utilice, o almacene la batería en un lugar húmedo o mojado.** Si el terminal se moja o si entra líquido al interior de la batería, la batería podrá cortocircuitarse y existe el riesgo de recalentamiento, incendio, o explosión.
9. **Después de retirar la batería de la máquina o del cargador, asegúrese de guardarla en un lugar seco.**
10. **Si el cartucho de batería se moja, retire el agua del interior y después límpielo con un paño seco. Seque el cartucho de batería completamente en un lugar seco antes de utilizarlo.**

Servicio

1. **Haga que su herramienta eléctrica sea servida por una persona de reparación cualificada utilizando solamente piezas de repuesto idénticas.** De esta forma la herramienta eléctrica seguirá siendo segura.
2. **No haga nunca el mantenimiento a baterías dañadas.** El mantenimiento de las baterías debe ser realizado solamente por el fabricante o proveedores de servicio autorizados.

GUARDE ESTAS INSTRUCCIONES.

⚠️ ADVERTENCIA: No deje que la comodidad o familiaridad con el producto (a base de utilizarlo repetidamente) sustituya la estricta observancia de las normas de seguridad para el producto en cuestión.

El MAL USO o el no seguir las normas de seguridad establecidas en este manual de instrucciones podrá ocasionar graves heridas personales.

Instrucciones de seguridad importantes para el cartucho de batería

1. Antes de utilizar el cartucho de batería, lea todas las instrucciones e indicaciones de precaución sobre (1) el cargador de baterías, (2) la batería, y (3) el producto con el que se utiliza la batería.
2. No desensamble ni manipule el cartucho de batería. Podrá resultar en un incendio, calor excesivo, o una explosión.
3. Si el tiempo de uso se acorta demasiado, cese la operación inmediatamente. Podría resultar en un riesgo de recalentamiento, posibles quemaduras e incluso una explosión.
4. Si entra electrólito en sus ojos, aclárelos con agua limpia y acuda a un médico inmediatamente. Existe el riesgo de poder perder la vista.
5. No cortocircuite el cartucho de batería:
 - (1) No toque los terminales con ningún material conductor.
 - (2) Evite guardar el cartucho de batería en un cajón junto con otros objetos metálicos, como clavos, monedas, etc.
 - (3) No exponga el cartucho de batería al agua ni a la lluvia.

Un cortocircuito en la batería puede producir una gran circulación de corriente, un recalentamiento, posibles quemaduras e incluso una rotura de la misma.
6. No guarde ni utilice la herramienta y el cartucho de batería en lugares donde la temperatura pueda alcanzar o exceder los 50 °C.
7. Nunca incinere el cartucho de batería incluso en el caso de que esté dañado seriamente o ya no sirva en absoluto. El cartucho de batería puede explotar si se tira al fuego.
8. No clave, corte, aplaste, lance, deje caer el cartucho de batería, ni golpee contra un objeto duro el cartucho de batería. Tal conducta podrá resultar en un incendio, calor excesivo, o una explosión.
9. No utilice una batería dañada.
10. Las baterías de litio-ion contenidas están sujetas a los requisitos de la Legislación para Materiales Peligrosos.

Para transportes comerciales, p.ej., por terceras personas y agentes de transportes, se deberán observar requisitos especiales para el empaquetado y etiquetado.

Para la preparación del artículo que se va a enviar, se requiere consultar con un experto en materiales peligrosos. Por favor, observe también la posibilidad de reglamentos nacionales más detallados.

Cubra con cinta aislante o enmascare los contactos expuestos y empaquete la batería de tal manera que no se pueda mover alrededor dentro del embalaje.
11. Para desechar el cartucho de batería, retírelo de la herramienta y deséchelo en un lugar seguro. Siga los reglamentos locales

referentes al desecho de la batería.

12. Utilice las baterías solamente con los productos especificados por Makita. La instalación de las baterías en productos no compatibles puede resultar en un incendio, calor excesivo, explosión, o fuga de electrólito.
13. Si la herramienta no va a ser utilizada durante un periodo de tiempo largo, la batería deberá ser retirada de la herramienta.
14. Durante y después de la utilización, el cartucho de batería podrá acumular calor, lo cual puede ocasionar quemaduras o quemaduras de baja temperatura. Preste atención al manejo de cartuchos de batería calientes.
15. No toque el terminal de la herramienta inmediatamente después de utilizar, dado que puede calentarse lo suficiente como para ocasionar quemaduras.
16. No permita que virutas, polvo, o tierra se adhieran dentro de los terminales, orificios, y ranuras del cartucho de batería. Esto podría ocasionar calentamiento, que coja fuego, reviente y un mal funcionamiento de la herramienta o el cartucho de batería, resultando en quemaduras o heridas personales.
17. A menos que la herramienta pueda utilizarse cerca de cables eléctricos de alta tensión, no utilice el cartucho de batería cerca de cables eléctricos de alta tensión. Podrá resultar en un mal funcionamiento o rotura de la herramienta o el cartucho de batería.
18. Mantenga la batería alejada de los niños.

GUARDE ESTAS INSTRUCCIONES.

⚠PRECAUCIÓN: Utilice solamente baterías genuinas de Makita. La utilización de baterías no genuinas de Makita, o baterías que han sido alteradas, puede resultar en una explosión de la batería ocasionando incendios, heridas personales y daños. También anulará la garantía de Makita para la herramienta y el cargador de Makita.

Consejos para alargar al máximo la vida de servicio de la batería

1. Cargue el cartucho de batería antes de que se descargue completamente. Detenga siempre la operación y cargue el cartucho de batería cuando note menos potencia en la herramienta.
2. No cargue nunca un cartucho de batería que esté completamente cargado. La sobrecarga acortará la vida de servicio de la batería.
3. Cargue el cartucho de batería a temperatura ambiente de 10 °C - 40 °C. Si un cartucho de batería está caliente, déjelo enfriar antes de cargarlo.
4. Cuando no esté utilizando el cartucho de batería, retírelo de la herramienta o del cargador.
5. Cargue el cartucho de batería si no lo utiliza durante un periodo de tiempo prolongado (más de seis meses).

MONTAJE

⚠PRECAUCIÓN: Asegúrese siempre de que todos los cartuchos de batería han sido retirados antes de realizar cualquier trabajo en la máquina. Si no retira todos los cartuchos de batería, podrá resultar en graves heridas personales a causa de un arranque accidental.

Montaje de los tubos del soplador

1. Afloje el tornillo de fijación.
▶ **Fig.2:** 1. Tornillo de fijación
2. Instale el mango de control en el tubo orientable y apriete el tornillo de fijación. Asegúrese de no poner el mango de control más allá de la posición de las marcas de flecha.
▶ **Fig.3:** 1. Mango de control 2. Tubo orientable 3. Tornillo de fijación 4. Marcas de flecha

AVISO: Tenga cuidado de no retorcer el cable del mango de control cuando coloque el mango de control en el tubo orientable.

3. Afloje el tornillo de la abrazadera de manguera, y después coloque la abrazadera de manguera en la boquilla final. Alinee las ranuras de la boquilla final con las protuberancias del tubo orientable, después coloque la boquilla final en el tubo orientable, y después apriete el tornillo de la abrazadera de manguera.
▶ **Fig.4:** 1. Boquilla final 2. Abrazadera de manguera 3. Tubo orientable 4. Ranura 5. Protuberancia 6. Tornillo
4. Afloje el tornillo de la abrazadera de manguera, después coloque la palanca de la boquilla en la abrazadera de manguera, y después coloque la abrazadera de manguera en el tubo flexible. Coloque el tubo orientable en el tubo flexible, y después apriete el tornillo de la abrazadera de manguera.
▶ **Fig.5:** 1. Tubo orientable 2. Palanca de la boquilla 3. Abrazadera de manguera 4. Tubo flexible 5. Tornillo
5. Afloje el tornillo de la abrazadera de manguera, y después coloque la abrazadera de manguera en el tubo flexible. Coloque el tubo flexible en el codo, y después apriete el tornillo de la abrazadera de manguera.
▶ **Fig.6:** 1. Tubo flexible 2. Abrazadera de manguera 3. Codo

AVISO: Asegúrese de que el tornillo de la abrazadera de manguera no queda hacia fuera como se muestra en la figura.

▶ **Fig.7:** 1. Tornillo

6. Sujete el cable de control en los soportes de cable.
▶ **Fig.8:** 1. Sujetacables 2. Cable de control

AVISO: Asegúrese de que el cable de control está sujetado firmemente en el soporte del cable.

Ajuste de la correa y el arnés de hombro

1. Póngase la máquina, después bloquee la hebilla de la correa de cintura, y después ajuste la longitud de la correa de cintura.
▶ **Fig.9:** 1. Hebilla
2. Ajuste la longitud del arnés de hombro.
▶ **Fig.10:** 1. Arnés de hombro

Ajuste de la posición de la palanca de control

Afloje el tornillo de fijación. Mueva el mango de control a lo largo del tubo orientable hasta la posición más cómoda, y después apriete el tornillo de fijación. No mueva el mango más allá de las marcas de flecha.
▶ **Fig.11:** 1. Mango de control 2. Tubo orientable 3. Tornillo de fijación 4. Marcas de flecha

Colocación de la tapa de difusión

Puede difuminar la neblina colocando la tapa de difusión en la boquilla final como se muestra en la figura.
▶ **Fig.12:** 1. Tapa de difusión

Colocación del deflector

Accesorio opcional

Puede dar salida a la neblina hacia arriba o hacia abajo colocando el deflector en la boquilla final como se muestra en la figura.
▶ **Fig.13:** 1. Deflector

DESCRIPCIÓN DEL FUNCIONAMIENTO

⚠PRECAUCIÓN: Asegúrese siempre de que la máquina está apagada y que todos los cartuchos de batería han sido retirados antes de ajustar o comprobar una función en la máquina.

Instalación o extracción del cartucho de batería

⚠ PRECAUCIÓN: Apague siempre la máquina antes de instalar o retirar el cartucho de batería.

⚠ PRECAUCIÓN: Sujete la máquina y el cartucho de batería firmemente cuando instale o extraiga el cartucho de batería. Si no sujeta la máquina y el cartucho de batería firmemente podrá ocasionar que se deslicen de sus manos y resultar en daños a la máquina y el cartucho de batería y heridas personales.

⚠ PRECAUCIÓN: Asegúrese de que ha bloqueado la tapa de la batería antes de la utilización. De lo contrario, el barro, la suciedad o el agua podrán ocasionar daños a la herramienta o al cartucho de batería.

⚠ PRECAUCIÓN: Instale siempre el cartucho de batería completamente hasta que no pueda verse el indicador rojo. En caso contrario, podrá caerse accidentalmente de la máquina y ocasionarle heridas a usted o a alguien alrededor de usted.

⚠ PRECAUCIÓN: No instale el cartucho de batería empleando fuerza. Si el cartucho no se desliza al interior fácilmente, será porque no está siendo insertado correctamente.

⚠ PRECAUCIÓN: Sujete la tapa de la batería firmemente cuando instale o retire el cartucho de batería.

Para instalar el cartucho de batería;

1. Alce la palanca de bloqueo, y después abra la tapa de la batería.
► **Fig.14:** 1. Palanca de bloqueo 2. Tapa de la batería
2. Alinee la lengüeta del cartucho de batería con la ranura de la máquina y después deslice el cartucho hasta que se bloquee en su sitio con un pequeño chasquido.
► **Fig.15:** 1. Cartucho de batería
3. Cierre la tapa de la batería y presiónela hasta que se quede trincada con la palanca de bloqueo.





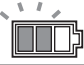

Para retirar el cartucho de batería;

1. Alce la palanca de bloqueo y abra la tapa de la batería.
2. Saque el cartucho de batería de la máquina mientras desliza el botón de la parte frontal del cartucho.
► **Fig.16:** 1. Cartucho de batería
3. Cierre la tapa de la batería.

Botón de comprobación de la batería

Puede comprobar la capacidad de batería restante presionando el botón de comprobación de la batería.

- **Fig.17:** 1. Indicador de batería 2. Botón de comprobación de la batería

Estado del indicador de batería			Capacidad de batería restante
 Encendido	 Apagado	 Parpadeando	
			50% a 100%
			20% a 50%
			0% a 20%

NOTA: La lámpara de indicación para la capacidad de batería restante es solamente para tener una referencia. La capacidad de batería real puede variar dependiendo de las condiciones de utilización o la temperatura ambiente.

NOTA: Mientras la máquina esté en funcionamiento, la lámpara de indicación no se iluminará aunque presione el botón de comprobación.

NOTA: La lámpara se apagará automáticamente tras unos pocos segundos.














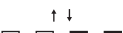




NOTA: Si hay instalados dos cartuchos de batería, la batería instalada en el lado derecho se usa primero.

NOTA: Si hay instalados dos cartuchos de batería, la máquina cambiará automáticamente a la otra batería cuando la batería que se esté usando se vacíe.

Modo de indicar la capacidad de batería restante

Presione el botón de comprobación en el cartucho de batería para indicar la capacidad de batería restante. Las lámparas indicadoras se iluminan durante unos pocos segundos.

- **Fig.18:** 1. Lámparas indicadoras 2. Botón de comprobación

Lámparas indicadoras			Capacidad restante
 Iluminada	 Apagada	 Parpadeando	
			75% a 100%
			50% a 75%
			25% a 50%
			0% a 25%
			Cargue la batería.
 	 	 	Puede que la batería no esté funcionando bien.

NOTA: Dependiendo de las condiciones de utilización y de la temperatura ambiente, la indicación podrá variar ligeramente de la capacidad real.

NOTA: La primera lámpara indicadora (extremo izquierdo) parpadeará cuando el sistema de protección de la batería esté funcionando.

Sistema de protección de la máquina/batería

La máquina está equipada con un sistema de protección de la máquina/batería. Este sistema corta automáticamente la alimentación al motor para alargar la vida útil de la máquina y la batería. La máquina se detendrá automáticamente durante la operación si la máquina o la batería es puesta en una de las condiciones siguientes:

Protección contra sobrecarga

Cuando la máquina o la batería sea utilizada de una manera que dé lugar a que tenga que absorber una corriente anormalmente alta, la máquina se detendrá automáticamente y la lámpara de alimentación principal parpadeará en verde. En esta situación, apague la máquina y detenga la tarea que ocasiona la sobrecarga de la máquina. Después encienda la máquina para volver a empezar.

Protección contra el recalentamiento

Cuando la máquina se recalienta, la máquina se detiene automáticamente y la lámpara de alimentación principal se ilumina en rojo. En este caso, deje que la máquina y la batería se enfríen antes de encender la máquina otra vez.

NOTA: La lámpara de alimentación principal parpadea en rojo cuando la batería se recalienta.

Protección contra descarga excesiva

Cuando la capacidad de batería no sea suficiente, la máquina se detendrá automáticamente y la lámpara de alimentación principal parpadeará en rojo. En este caso, retire la batería de la máquina y cargue la batería o cambie la batería con una completamente cargada.

Protecciones contra otras causas

También hay un sistema de protección diseñado para otras causas que pueden dañar la máquina y permite a la máquina detenerse automáticamente. Realice todos los pasos siguientes para despejar las causas, cuando la máquina haya sido llevada a una pausa temporal o a una parada en la operación.

1. Apague la máquina, y después enciéndala otra vez para volver a empezar.
2. Cargue la(s) batería(s) o reemplácela(s) con una batería(s) recargada(s).
3. Deje que la máquina y la(s) batería(s) se enfríen.

Si no se nota una mejora al restablecer el sistema de protección, póngase en contacto con el centro de servicio Makita local.

AVISO: Si la máquina se detiene debido a una causa no descrita arriba, consulte la sección para solución de problemas.

Interruptor de alimentación principal

ADVERTENCIA: Desactive siempre el interruptor de alimentación principal cuando la herramienta no esté siendo utilizada.

Para encender la máquina, presione el interruptor de alimentación principal. Las lámparas se iluminan en verde. Para apagar, mantenga presionado el interruptor de alimentación principal hasta que las lámparas se apaguen.

► **Fig.19:** 1. Indicador de velocidad 2. Interruptor de alimentación principal

La velocidad se puede cambiar en tres niveles. Para cambiar el modo de velocidad, presione el interruptor de alimentación principal. Cuando cambie el modo de velocidad, los indicadores de velocidad correspondientes se iluminarán.

NOTA: La máquina emplea la función de desconexión automática de la alimentación. Para evitar una puesta en marcha no intencionada, el interruptor de alimentación principal se inhabilitará automáticamente cuando la máquina no sea utilizada durante un cierto periodo de tiempo después de activar el interruptor de alimentación principal.

NOTA: Si la lámpara de alimentación principal se ilumina en rojo o parpadea en rojo o verde, consulte las instrucciones para el sistema de protección de la máquina/batería.

Accionamiento del interruptor

ADVERTENCIA: Antes de instalar el cartucho de batería en la máquina, compruebe siempre para ver que el gatillo interruptor se acciona debidamente y que vuelve a la posición "desactivada" cuando se libera.

Para poner en marcha la máquina, apriete el gatillo interruptor mientras aprieta la palanca de activación. La velocidad incrementa aumentando la presión en el gatillo interruptor. Suelte el gatillo interruptor para parar.

► **Fig.20:** 1. Gatillo interruptor 2. Palanca de activación

Apertura y cierre de las palancas

La máquina está equipada con tres palancas.

Palanca de la boquilla

La palanca de la boquilla se utiliza para rociar neblina. Normalmente, cierre la palanca de la boquilla, y ábrala solamente cuando rocíe neblina.

► **Fig.21:** 1. Cerrada 2. Abierta

Palanca de drenaje

La palanca de drenaje se utiliza para drenar el líquido del depósito. Cuando esté utilizando la máquina, cierre

siempre la palanca.

► **Fig.22:** 1. Cerrada 2. Abierta

Palanca del depósito

La palanca del depósito se utiliza para reemplazar el filtro. Cuando esté utilizando la máquina, abra siempre la palanca.

► **Fig.23:** 1. Cerrada 2. Abierta

Pomo de ajuste de la cantidad de líquido

Puede ajustar la cantidad de líquido que sale por la boquilla final. Para que salga la cantidad máxima de líquido, gire el pomo de forma que "4" esté alineado con la marca triangular. Para que salga la cantidad mínima de líquido, gire el pomo de forma que "1" esté alineado con la marca triangular.

► **Fig.24:** 1. Pomo de ajuste de la cantidad de líquido
2. Marca triangular

Función electrónica

La máquina está equipada con la función electrónica para facilitar la operación.

- Control de velocidad constante
La función de control de velocidad brinda la velocidad de rotación constante independientemente de las condiciones de carga.
- Función de la válvula de distribución
La máquina está equipada con la válvula de distribución. La válvula de distribución se abre automáticamente para suministrar el líquido del depósito cuando se aprieta el gatillo interruptor, y se cierra automáticamente cuando se suelta el gatillo interruptor.

Función de prevención de reinicio de puesta en marcha accidental

Cuando encienda la máquina mientras esté apretando la palanca de activación y el gatillo interruptor, la máquina no se pondrá en marcha y la lámpara de alimentación principal parpadeará en verde. Para poner en marcha la máquina, primero libere el gatillo interruptor, y después encienda la máquina.

OPERACIÓN

⚠PRECAUCIÓN: Cuando se ponga la máquina, asegúrese de poner el arnés de hombro en ambos hombros. De lo contrario, la máquina se podrá caer cuando se la ponga o la utilice, y ocasionará heridas.

⚠PRECAUCIÓN: Cuando se ponga la máquina, asegúrese de ponérsela en la espalda. De lo contrario, la máquina se podrá caer durante la operación y ocasionar heridas.

⚠PRECAUCIÓN: No ponga la máquina en el suelo mientras la misma esté en marcha. Podría entrar arena o polvo por la boca de succión y ocasionar un mal funcionamiento o heridas personales.

Antes de utilizar la máquina, ajuste la longitud del arnés de hombro y de la correa de cintura.

1. Coloque la máquina sobre una superficie plana y estable.

2. Asegúrese de que las palancas están en las siguientes posiciones.

- La palanca de drenaje está en la posición cerrada.

► **Fig.25:** 1. Palanca de drenaje

- La palanca del depósito está en la posición abierta.

► **Fig.26:** 1. Palanca del depósito

- La palanca de la boquilla está en la posición cerrada.

► **Fig.27:** 1. Palanca de la boquilla

3. Abra la tapa del depósito, y después ajuste el colador.

► **Fig.28:** 1. Tapa del depósito 2. Colador

4. Vierta líquido en el depósito, y después apriete la tapa del depósito.

► **Fig.29**

5. Póngase la máquina, después bloquee la hebilla de la correa de cintura.

6. Gire la palanca de la boquilla de manera que quede en la posición abierta.

► **Fig.30:** 1. Palanca de la boquilla

7. Encienda la máquina, y después sujete el mango de control firmemente y realice la operación de rociamiento de neblina.

Después de la operación, gire la palanca de la boquilla de manera que quede en la posición cerrada.

Cuando vaya a poner la máquina en el suelo, desbloquee la hebilla de la correa de cintura, y después ponga la máquina en el suelo despacio.

► **Fig.31:** 1. Hebilla

NOTA: Puede remover el líquido dentro del depósito girando el colador como se muestra en la figura.

► **Fig.32:** 1. Colador

MANTENIMIENTO

⚠ PRECAUCIÓN: Asegúrese siempre de que todos los cartuchos de batería han sido retirados de la máquina antes de almacenar o transportar la máquina o intentar realizar la inspección o el mantenimiento.

Para mantener la SEGURIDAD y FIABILIDAD del producto, las reparaciones, y cualquier otra tarea de mantenimiento o ajuste deberán ser realizadas en centros de servicio o de fábrica autorizados por Makita, empleando siempre repuestos Makita.

Drenaje del líquido

Cuando vaya a drenar el líquido del depósito, retire la manguera de la unidad principal, y después drene el líquido del depósito en un recipiente abriendo la palanca de drenaje. Después de drenar el líquido, asegúrese de cerrar la palanca de drenaje y de colocar la manguera en la unidad principal.

► **Fig.33:** 1. Palanca de drenaje 2. Manguera

NOTA: Para vaciar el depósito completamente, incline ligeramente la unidad principal hacia la boca de la manguera.

Limpieza de la máquina

AVISO: No utilice nunca gasolina, bencina, disolvente, alcohol o similares. Podría producir descoloración, deformación o grietas.

Limpie la máquina quitando el polvo con un paño seco o uno sumergido en agua jabonosa y escurrido.

Retire el polvo y la suciedad de la boca de succión.

► **Fig.34:** 1. Boca de succión

Limpieza del filtro

Limpie el filtro regularmente. Para limpiar el filtro, siga los pasos siguientes.

1. Retire los cartuchos de batería, y después cierre la palanca del depósito.
2. Retire la tapa del filtro girándola hacia la

izquierda, y después retire el filtro.

► **Fig.35:** 1. Tapa del filtro 2. Filtro

3. Limpie el filtro con agua corriente.
4. Coloque el filtro en la unidad principal, y después apriete la tapa del filtro.
5. Abra la palanca del depósito.

Almacenamiento

Antes de almacenar la máquina, realice un mantenimiento completo. Guarde la máquina en un lugar fuera del alcance de los niños y no expuesto a humedad, lluvia ni luz solar directa.

Puede conectar la cinta del tubo a la máquina como se muestra en la figura para mantener vertical el tubo.

► **Fig.36:** 1. Cinta

Cambio de la boquilla

Puede cambiar la boquilla estándar por la boquilla ULV (volumen muy bajo). La boquilla ULV puede rociar neblina más fina que la boquilla estándar. Para cambiar la boquilla, siga los pasos de abajo.

1. Afloje el tornillo y retírelo, y después retire el extremo frontal de la boquilla final.

► **Fig.37:** 1. Tornillo 2. Boquilla final

2. Retire la boquilla estándar girándola hacia la izquierda utilizando una llave.

► **Fig.38:** 1. Llave 2. Boquilla estándar

3. Retire la junta tórica de la boquilla estándar, y después colóquela en la boquilla ULV.

► **Fig.39:** 1. Junta tórica 2. Boquilla estándar
3. Boquilla ULV

4. Coloque la boquilla ULV girándola hacia la derecha utilizando una llave.

► **Fig.40:** 1. Llave 2. Boquilla ULV

AVISO: No apriete demasiado la boquilla. El par de apriete recomendado es aproximadamente 1,0 N·m. Si aprieta demasiado la boquilla podrá dañar la parte de montaje de la boquilla.

5. Coloque la boquilla final, y después apriete el tornillo.

► **Fig.41:** 1. Tornillo 2. Boquilla final

SOLUCIÓN DE PROBLEMAS

Antes de solicitar reparaciones, realice su propia inspección en primer lugar. Si encuentra un problema que no está explicado en el manual, no intente desmontar la máquina. En su lugar, pregunte en los centros de servicio autorizados de Makita, utilizando siempre piezas de repuesto de Makita para la reparación.

Estado de anomalía	Causa probable (mal funcionamiento)	Remedio
El motor no se pone en marcha.	La batería no está instalada.	Instale la batería.
	Problema de batería (poca tensión)	Recargue la batería. Si la recarga no se realiza efectivamente, reemplace la batería.
	El sistema de accionamiento no funciona correctamente.	Pida a su centro de servicio autorizado local que le hagan la reparación.

Estado de anomalía	Causa probable (mal funcionamiento)	Remedio
El motor se para después de usarlo un poco.	El nivel de carga de la batería es bajo.	Recargue la batería. Si la recarga no se realiza efectivamente, reemplace la batería.
	Recalentamiento.	Deje de utilizar la máquina para permitir que se enfríe.
No sale neblina.	El depósito está vacío.	Llene el depósito con líquido.
	La palanca de la boquilla o la palanca del depósito está cerrada.	Abra la palanca de la boquilla o la palanca del depósito.
	La boquilla está atascada.	Retire la boquilla estándar o la boquilla ULV, y después limpie la boquilla con agua corriente para retirar el material atascado.
	El filtro está atascado.	Retire el filtro, y después limpie el filtro con agua corriente para retirar el material atascado.
La máquina no alcanza la velocidad máxima.	La batería está instalada incorrectamente.	Instale la batería como se describe en este manual.
	La potencia de la batería está cayendo.	Recargue la batería. Si la recarga no se realiza efectivamente, reemplace la batería.
	El sistema de accionamiento no funciona correctamente.	Pida a su centro de servicio autorizado local que le hagan la reparación.
Vibración anormal: ⇒ ¡detenga la máquina inmediatamente!	El sistema de accionamiento no funciona correctamente.	Pida a su centro de servicio autorizado local que le hagan la reparación.
El motor no se puede parar: ⇒ ¡Retire la batería inmediatamente!	Mal funcionamiento eléctrico o electrónico.	Retire la batería y pida a su centro de servicio autorizado local que le hagan la reparación.

ACCESORIOS OPCIONALES

⚠PRECAUCIÓN: Estos accesorios o aditamentos están recomendados para utilizar con su producto Makita especificado en este manual. La utilización de cualquier otro accesorio o aditamento puede presentar un riesgo de heridas a personas. Solamente utilice el accesorio o aditamento para su fin específico.

Si necesita cualquier ayuda para más detalles en relación con estos accesorios, pregunte al centro de servicio Makita local.

- Deflector
- Batería y cargador genuinos de Makita

NOTA: Algunos elementos de la lista podrán estar incluidos en el paquete del producto como accesorios estándar. Pueden variar de un país a otro.

ESPECIFICAÇÕES

Modelo:		PM001G
Capacidades	Volume de ar	7,4 - 14,3 m ³ /min *1
	Velocidade do ar (média)	28,0 - 53,0 m/s
	Velocidade do ar (máx.)	34,0 - 64,0 m/s
Capacidade do reservatório		15 l
Volume do total residual		50 ml ou menos
Dimensões (C x L x A) (com bocal final)		320 mm x 600 mm x 690 mm
Tensão nominal		C.C. 36 V - 40 V máx.
Peso líquido	*2	11,9 kg
	*3	12,8 - 15,7 kg
Grau de proteção		IPX4

- Devido a um programa contínuo de pesquisa e desenvolvimento, estas especificações estão sujeitas a alteração sem aviso prévio.
- As especificações podem variar de país para país.

*1: O caudal máximo de ar é 858 m³/h.

*2: Peso quando o reservatório está vazio, sem as baterias, com tubos, bocal e arneses.

*3: A combinação de peso mais leve e mais pesada, de acordo com o Procedimento EPTA 01/2014. O peso poderá diferir em função do(s) acessório(s), incluindo a(s) bateria(s).

Bateria e carregador aplicável

Bateria	BL4040F / BL4050F / BL4080F
Carregador	DC40RA / DC40RB / DC40RC / DC40WA

- Algumas das baterias e carregadores listados acima poderão não estar disponíveis, dependendo da sua região de residência.

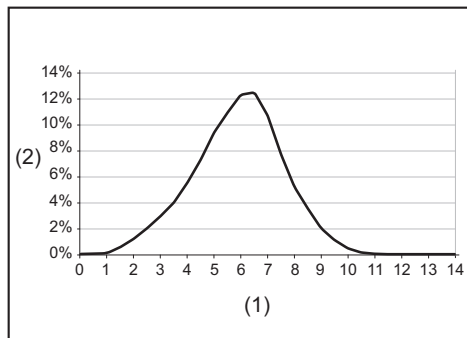
⚠AVISO: Utilize apenas as baterias e carregadores listados acima. A utilização de quaisquer outras baterias e carregadores pode causar ferimentos e/ou um incêndio.

⚠AVISO: Não utilize uma fonte de alimentação com fio como um adaptador da baterias tipo mochila com esta máquina.

Especificações de pulverização

(2) Percentagem de líquido depositado no solo

Alcance de pulverização horizontal



(1) Distância desde a dispensa do fluxo (m)

Tamanho das gotículas

Tamanho das gotículas com bocal padrão

Definição do botão de ajuste	Dv 0.1	Dv 0.5	Dv 0.9
1	22 µm	57 µm	112 µm
2	37 µm	102 µm	251 µm
3	40 µm	111 µm	267 µm
4	42 µm	115 µm	280 µm

Tamanho das gotículas com bocal VUB

Definição do botão de ajuste	Dv 0.1	Dv 0.5	Dv 0.9
1 - 4	14 µm	41 µm	85 µm

Ritmo de descarga para posições de trabalho

► Fig.1

Ritmo de descarga com bocal padrão

Definição do botão de ajuste	Ângulo do bocal		
	- 30°	0°	30°
1	0,23 l/min	0,19 l/min	0,12 l/min
2	1,13 l/min	0,71 l/min	0,34 l/min
3	1,37 l/min	0,95 l/min	0,49 l/min
4	1,55 l/min	1,21 l/min	0,51 l/min












Ritmo de descarga com bocal VUB

Definição do botão de ajuste	Ângulo do bocal		
	- 30°	0°	30°
1 - 4	0,05 l/min	0,04 l/min	0,03 l/min

NOTA: Os valores incluídos nestas especificações de pulverização podem diferir dependendo das condições de trabalho ou da temperatura ambiente.

Símbolos

A seguir são apresentados os símbolos que podem ser utilizados para o equipamento. Certifique-se de que compreende o seu significado antes da utilização.

	Tenha especial cuidado e atenção.
	Leia o manual de instruções.
	Utilizar proteção ocular e auditiva.
	Use proteção respiratória.
	Não expor a humidade.
	Use botas robustas com solas antideslizantes. Recomendamos botas com biqueira de aço.
	Use luvas de proteção.
	Use vestuário de proteção.
	Mantenha as pessoas presentes afastadas quando realizar a pulverização.
	Mantenha as mãos afastadas de peças rotativas.
	O cabelo comprido pode provocar acidentes por ficar enredado.
	Mantenha os espetadores afastados.
	Peso quando o reservatório está vazio.



Peso quando o reservatório está cheio.



Apenas para países da UE
Devido à presença de componentes perigosos no equipamento, os resíduos de equipamentos elétricos e eletrônicos, acumuladores e baterias podem ter um impacto negativo no meio ambiente e na saúde humana.
Não elimine aparelhos elétricos e eletrônicos ou baterias juntamente com resíduos domésticos!
De acordo com a Diretiva europeia relativa aos resíduos de equipamentos elétricos e eletrônicos, acumuladores e baterias, bem como a respetiva adaptação à legislação nacional, os resíduos de equipamentos elétricos e eletrônicos, acumuladores e baterias devem ser armazenados separadamente e entregues num ponto de recolha separado para resíduos municipais, que opere de acordo com os regulamentos de proteção ambiental.
Tal é indicado pelo símbolo de contenedor de lixo com rodas barrado com uma cruz colocado no equipamento.



Nível de potência sonora garantido de acordo com a Diretiva de ruído ambiente da UE.



Nível de potência sonora de acordo com o Regulamento de controlo do ruído de NSW da Austrália

Utilização a que se destina

A máquina serve para soprar névoa.

Ruído

A característica do nível de ruído A determinado de acordo com a ISO22868:

Nível de pressão acústica (L_{pA}) : 84,5 dB (A)

Nível de potência acústica (L_{WA}) : 103,3 dB (A)

Variabilidade (K): 2,3 dB (A)

NOTA: O(s) valor(es) da emissão de ruído indicado(s) foi medido de acordo com um método de teste padrão e pode ser utilizado para comparar duas ferramentas.

NOTA: O(s) valor(es) da emissão de ruído indicado(s) pode também ser utilizado na avaliação preliminar da exposição.

AVISO: Utilize protetores auriculares.

AVISO: A emissão de ruído durante a utilização real da ferramenta elétrica pode diferir do(s) valor(es) indicado(s), dependendo das formas como a ferramenta é utilizada, especialmente o tipo de peça de trabalho que é processada.

AVISO: Certifique-se de identificar as medidas de segurança para proteção do operador que sejam baseadas em uma estimativa de exposição em condições reais de utilização (considerando todas as partes do ciclo de operação, tal como quando a ferramenta está desligada e quando está a funcionar em marcha lenta além do tempo de acionamento).

Vibração

Valor total da vibração (soma vetorial tri-axial) determinado de acordo com a ISO22867:

Modo de trabalho: funcionamento sem carga

Emissão de vibração (a_{h1}): 2,5 m/s² ou menos

Variabilidade (K): 1,5 m/s²

NOTA: O(s) valor(es) total(ais) de vibração indicado(s) foi medido de acordo com um método de teste padrão e pode ser utilizado para comparar duas ferramentas.

NOTA: O(s) valor(es) total(ais) de vibração indicado(s) pode também ser utilizado na avaliação preliminar da exposição.

⚠️AVISO: A emissão de vibração durante a utilização real da ferramenta elétrica pode diferir do(s) valor(es) indicado(s), dependendo das formas como a ferramenta é utilizada, especialmente o tipo de peça de trabalho que é processada.

⚠️AVISO: Certifique-se de identificar as medidas de segurança para proteção do operador que sejam baseadas em uma estimativa de exposição em condições reais de utilização (considerando todas as partes do ciclo de operação, tal como quando a ferramenta está desligada e quando está a funcionar em marcha lenta além do tempo de acionamento).

Declarações de conformidade

Apenas para os países europeus

As Declarações de conformidade estão incluídas no Anexo A deste manual de instruções.

AVISOS DE SEGURANÇA

Avisos gerais de segurança para ferramentas elétricas

⚠️AVISO Leia todos os avisos de segurança, instruções, ilustrações e especificações fornecidos com esta ferramenta elétrica. O incumprimento de todas as instruções abaixo enumeradas pode resultar em choque elétrico, incêndio e/ou ferimentos graves.

Guarde todos os avisos e instruções para futuras referências.

O termo "ferramenta elétrica" nos avisos refere-se às ferramentas elétricas ligadas à corrente elétrica (com cabo) ou às ferramentas elétricas operadas por meio de bateria (sem cabo).

Instruções de segurança do atomizador a bateria

⚠️AVISO: Leia todos os avisos de segurança e todas as instruções. O não cumprimento de todos os avisos e instruções pode originar choque elétrico, incêndio e/ou ferimentos graves.

Guarde todos os avisos e instruções para futuras referências.

Instruções gerais

1. Para garantir o funcionamento correto e seguro, o utilizador deve ler, compreender e cumprir este manual de instruções para assegurar a familiaridade com o manuseamento da máquina. Os utilizadores insuficientemente informados colocam-se em perigo a si próprios e aos outros devido ao manuseamento inapropriado da máquina.
2. Recomenda-se emprestar a máquina apenas a pessoas que provaram ter experiência com atomizadores.
3. As crianças e pessoas jovens com menos de 18 anos não devem ter permissão para operar a máquina. Pessoas com mais de 16 anos podem, contudo, utilizar a máquina para a finalidade exclusiva de receberem formação enquanto se encontram sob supervisão direta de um formador qualificado.
4. Utilize apenas produtos de proteção de plantas que estejam especificamente aprovados pelo fabricante para uso com atomizadores e que cumpram todos os regulamentos de segurança, normas e determinações legais aplicáveis.
5. Todas as pessoas operacionais e de assistência devem receber formação e estar familiarizadas com os procedimentos de manuseamento adequado relativamente aos produtos químicos que são utilizados, bem como com os regulamentos de eliminação de produtos químicos líquidos.
6. Para reduzir o risco de lesão durante a utilização de produtos químicos, use vestuário de proteção adequado durante o enchimento, utilização e limpeza do atomizador. Cumpra sempre todas as instruções do fabricante dos produtos químicos no que diz respeito à proteção ocular, da pele e respiratória adequada.
7. Quando utilizar produtos químicos tóxicos, o operador e quaisquer pessoas presentes podem ter de usar um respirador devidamente equipado para o produto químico que esteja a ser utilizado. Consulte o rótulo do produto químico. Respirar produtos químicos tóxicos pode causar lesões graves ou fatais.

Utilização pretendida da máquina

1. A máquina serve apenas para pulverizar produtos químicos líquidos e outros líquidos para controlar pestes e ervas daninhas em pomares, jardins de flores e hortas, em árvores e arbustos e noutras plantas, tais como café, tabaco e algodão. Também é útil para a

manutenção de árvores novas para controlar o escoltídeo e outras pestes e doenças das plantas. Nunca utilize a máquina para quaisquer outras finalidades.

Formação

1. Leia atentamente as instruções. Familiarize-se com os controlos e a utilização correta da máquina.
2. Nunca permita que crianças, pessoas com capacidades físicas, sensoriais ou mentais reduzidas ou falta de experiência e conhecimento ou pessoas não familiarizadas com estas instruções utilizem a máquina. Os regulamentos locais podem limitar a idade do operador.
3. Nunca opere a máquina enquanto outras pessoas, especialmente crianças, ou animais estão por perto.
4. Tenha em mente que o operador ou utilizador é responsável por acidentes ou perigos que ocorram a outras pessoas ou à respetiva propriedade.

Preparação

1. Use sempre calçado substancial e calças compridas enquanto opera a máquina.
2. Não use vestuário largo ou peças de joalharia que possam ser atirados para a entrada de ar. Afaste o cabelo comprido das entradas de ar.
3. Para evitar irritação ao pé, recomenda-se o uso de uma máscara facial.
4. Use sempre calçado antiderrapante e de proteção enquanto utiliza a máquina. As botas e sapatos de proteção antidescizantes e com biqueira fechada reduzem o risco de lesão.
5. Use sempre luvas de borracha/resistentes a produtos químicos e botas de borracha/para produtos químicos quando trabalhar com a máquina.

Manuseamento de produtos químicos

1. Alguns produtos químicos podem conter substâncias tóxicas e/ou cáusticas. Esses produtos químicos podem ser perigosos e causar lesões graves ou fatais a pessoas e animais e/ou danos graves a plantas e ao meio ambiente. Evite o contacto direto com produtos químicos. Siga as instruções do fabricante dos produtos químicos no que diz respeito a qualquer contacto com o seu produto.
2. Leia sempre o rótulo e o manual de instruções do fabricante antes de misturar ou utilizar o produto químico e antes de armazenar ou eliminar o produto. A utilização descuidada e inadequada pode causar lesões graves ou fatais.
3. Leia atentamente os rótulos nos recipientes dos produtos químicos antes da utilização. Os produtos químicos classificam-se em categorias de toxicidade. Cada categoria terá características de manuseamento únicas. Familiarize-se com as características da categoria do produto químico que esteja a utilizar. Os produtos químicos podem ser utilizados apenas por pessoas com formação no seu manuseamento e nas medidas de

primeiros-socorros adequadas.

4. Os produtos químicos podem ser nocivos para pessoas, animais e o meio ambiente caso sejam utilizados inadequadamente. É aconselhável não utilizar alguns produtos químicos que sejam cáusticos, corrosivos ou venenosos com a máquina.
5. Misture apenas pesticidas compatíveis. Misturas incorretas podem produzir vapores tóxicos. Quando manusear e pulverizar produtos químicos, certifique-se de que está a operar de acordo com as normas e diretrizes de proteção ambiental locais. Não realize a pulverização quando o dia estiver ventoso. Para ajudar a proteger o meio ambiente, utilize apenas a dosagem recomendada.
6. Evite abrir a boca como, por exemplo, comer, beber ou fumar enquanto estiver a manusear produtos químicos ou a realizar a pulverização. Nunca sobre através de bocais, tubos, tubagens ou qualquer outro componente pela boca. Manuseie sempre produtos químicos numa área bem-ventilada enquanto usa vestuário de proteção e equipamento de segurança adequado.
7. Não armazene ou transporte produtos químicos juntamente com alimentos, bebidas ou medicamentos e nunca reutilize um recipiente de produtos químicos para quaisquer outras finalidades. Não transfira produtos químicos líquidos para outros recipientes, especialmente recipientes de alimentos e/ou bebidas.
8. Mantenha o rótulo do produto disponível para ler ou mostrar às pessoas que consulta. Limpe imediatamente todos os derrames de produtos químicos. No caso de contacto accidental ou ingestão de produtos químicos ou no caso de contaminação de vestuário, interrompa o trabalho e consulte imediatamente as instruções do fabricante dos produtos químicos. Em caso de dúvida sobre como proceder, consulte um médico ou centro de controlo toxicológico para obter imediatamente aconselhamento.
9. Elimine quaisquer resíduos, respeitando as leis e regulamentos da sua região de residência.
10. Mantenha os produtos químicos fora do alcance das crianças, outras pessoas não autorizadas e animais. Quando não estiverem a ser utilizados, armazene os produtos químicos num local seguro e fechado. Siga as recomendações do fabricante relativas a um armazenamento adequado.

Preparar produtos químicos

1. Prepare soluções químicas seguindo as instruções do fabricante dos produtos químicos.
2. Prepare solução apenas suficiente para a tarefa em mãos, de modo a não restar solução.
3. Misture os produtos químicos apenas seguindo as instruções. Misturas incorretas podem produzir vapores tóxicos ou misturas explosivas.
4. Nunca pulverize produtos químicos não diluídos.
5. Prepare a solução e encha o recipiente ao ar

livre apenas num local bem-ventilado.

Armazenar produtos químicos

1. Não armazene solução de pulverização no recipiente por mais de um dia.
2. Armazene e transporte sempre solução de pulverização apenas nos recipientes aprovados.
3. Nunca armazene ou transporte a solução de pulverização em recipientes destinados a alimentos, bebidas ou ração animal.
4. Não armazene ou transporte a solução de pulverização com alimentos, bebidas ou ração animal.
5. Mantenha a solução de pulverização fora do alcance das crianças, outras pessoas não autorizadas e animais.
6. Armazene a solução de pulverização num local fechado e protegido contra utilização não autorizada.

Eliminação de produtos químicos

1. Nunca elimine produtos químicos residuais ou soluções de lavagem contaminadas em cursos de água, ralos, canos de esgoto, esgotos de rua, bueiros ou similares.
2. Quando eliminar água de lavagem contaminada, respeite todas as suas leis, regulamentos e determinações legais aplicáveis.
3. Observe rigorosamente as instruções de precauções do fabricante dos produtos químicos.

Encher o reservatório

1. Certifique-se de que a alavanca de drenagem e a alavanca do bocal estão fechadas.
2. Antes de utilizar o atomizador com produtos químicos, encha o reservatório com água limpa para assegurar que realizou uma montagem correta do atomizador e pratique a pulverização. Além disso, verifique eventuais fugas neste momento. Quando estiver completamente familiarizado com o funcionamento do atomizador, siga o procedimento de funcionamento normal.
3. Encha o reservatório em áreas bem-ventiladas ou em espaços exteriores.
4. Não utilize produtos inflamáveis no atomizador que possam causar explosão resultando em lesões graves ou fatais.
5. Não utilize materiais cáusticos ou corrosivos no atomizador que possam resultar em danos para a máquina.
6. Não utilize líquido a uma temperatura que exceda 50 °C (122 °F) para reduzir o risco de queimadura e danos para a máquina.
7. Para encher o reservatório, coloque o atomizador numa superfície nivelada. Para reduzir o risco de contaminar o ambiente envolvente, tenha cuidado para não encher o reservatório excessivamente com solução química.
8. Para reduzir o risco de lesão, não encha o reservatório enquanto estiver a usar a máquina às costas.
9. Se encher o recipiente da solução com uma mangueira ligada a um abastecimento de água central, certifique-se de que a extremidade da mangueira está retirada da solução para

reduzir o risco de retorno.

10. Calcule a quantidade correta de solução química, de modo a utilizá-la na totalidade de uma vez só, sem solução adicional restante no reservatório.
11. Após o enchimento, aperte a tampa do reservatório firmemente.
12. Verifique eventuais fugas durante o reabastecimento e durante o funcionamento. Uma fuga do reservatório ou um encaixe solto pode humedecer a sua roupa e entrar em contacto com a sua pele.
13. Encha o reservatório com líquido de acordo com a altura ou força do operador.

Operação

1. Desligue a máquina e remova as baterias e assegure que todas as peças móveis pararam completamente
 - sempre que deixa a máquina.
 - antes de desimpedir bloqueios.
 - antes de verificar, limpar ou trabalhar na máquina.
 - se a máquina começar a vibrar anormalmente.
2. Opere a máquina só durante o dia ou com boa iluminação artificial.
3. Não tente esticar-se para chegar a locais difíceis e mantenha o equilíbrio e o posicionamento apropriados constantes.
4. Mantenha sempre uma posição firme em declives.
5. Caminhe, nunca corra.
6. Mantenha todas as entradas de ar de arrefecimento livres de resíduos.
7. Nunca pulverize na direção das pessoas presentes.
8. Opere a máquina numa posição recomendada e numa superfície firme.
9. Não opere a máquina em lugares altos.
10. Nunca aponte o bocal para as pessoas nas imediações quando utilizar a máquina.
11. Nunca bloqueie a entrada de sucção e/ou a saída do atomizador.
 - Tenha cuidado para não bloquear a entrada de sucção ou a saída do atomizador com pó ou sujidade quando operar numa área poeirenta.
 - Não utilize bocais diferentes dos bocais fornecidos pela Makita.
12. Não opere a máquina perto de janelas abertas, etc.
13. Recomenda-se operar a máquina apenas a horas aceitáveis - não de manhã cedo nem tarde à noite para não perturbar as pessoas.
14. Se a máquina bater em objetos estranhos ou se começar a fazer ruídos ou vibração incomuns, desligue imediatamente a máquina para parar essas situações. Retire as baterias da máquina e inspecione a máquina quanto a danos antes de reiniciar e operar a máquina. Se a máquina estiver danificada, peça a reparação nos centros de assistência autorizados da Makita.

15. Não insira os dedos ou outros objetos na entrada de sucção ou na saída do atomizador.
16. Evite o arranque não intencional. Assegure que o interruptor está na posição de desligado antes de inserir as baterias, pegar na máquina ou transportá-la. Transportar a máquina com o dedo no interruptor ou alimentar a máquina que tem o interruptor ligado é propício a acidentes.
17. Não utilize a máquina perto de materiais inflamáveis.
18. Evite utilizar a máquina durante muito tempo num ambiente de baixa temperatura.
19. Não utilize a máquina quando existe o risco de relâmpagos.
20. Quando utilizar a máquina em terreno lamacento, declives húmidos ou local escorregadio, preste atenção ao seu posicionamento.
21. Não utilize a máquina em más condições atmosféricas, nas quais a visibilidade seja limitada. O incumprimento desta indicação pode provocar uma queda ou uma operação incorreta devido a baixa visibilidade.
22. Não submerja a máquina numa poça.
23. Não deixe a máquina sem supervisão no exterior à chuva.
24. Não utilize a máquina na neve.
25. Durante a operação, mantenha o cabo afastado de obstáculos. O cabo preso por obstáculos pode provocar ferimentos graves.
26. Evite trabalhar em temperaturas de congelamento, pois o líquido no reservatório pode congelar.

Após a operação

1. Lave-se sempre muito bem com sabão e água após pulverizar ou manusear produtos químicos. Tome banho imediatamente e lave todo o vestuário de proteção separadamente de outros itens. Siga quaisquer recomendações adicionais do fabricante dos produtos químicos.
2. Esvazie, lave e limpe o reservatório e o filtro após cada utilização. Isto ajuda a prevenir a cristalização da solução, o que poderia causar obstrução e danos químicos à máquina. Além disso, os produtos químicos residuais podem ter efeitos indesejáveis durante a pulverização subsequente com um tipo de produto químico diferente (por exemplo, herbicida residual pode danificar ou matar as plantas que estão a ser pulverizadas com um pesticida).
3. Não armazene a máquina com solução de pulverização no reservatório.

Manutenção e armazenamento

1. Mantenha todas as porcas, pernos e parafusos apertados para assegurar que a máquina está em condições de trabalho seguras.
2. Se as peças estiverem gastas ou danificadas, substitua-as por peças fornecidas pela Makita.
3. Guarde a máquina num local seco fora do alcance das crianças.
4. Quando parar a máquina para inspeção, manutenção, armazenamento ou substituição

de um acessório, desligue a máquina e certifique-se de que todas as peças móveis param completamente e retire as baterias. Arrefeça a máquina antes de realizar qualquer trabalho na mesma. Mantenha a máquina com cuidado e limpa.

5. Arrefeça sempre a máquina antes de guardá-la.
6. Não exponha a máquina à chuva. Guarde a máquina num local interior.
7. Quando elevar a máquina, certifique-se de que dobra os joelhos e tenha cuidado para não magoar as costas.
8. Quando lavar a máquina, não deixe entrar água nos mecanismos elétricos, tais como a bateria, o motor e os terminais.
9. Quando guardar a máquina, evite a luz solar direta e a chuva e guarde-a num local onde não fique quente ou húmido.
10. Quando transportar a máquina, certifique-se de que segura a máquina firmemente.
11. Quando transportar a máquina, tenha cuidado para que o cabo não fique preso por obstáculos.

Utilização e cuidados com a ferramenta a bateria

1. Recarregue apenas com o carregador especificado pelo fabricante. Um carregador adequado para um tipo de bateria pode criar um risco de incêndio quando utilizado com outra bateria.
2. Utilize as ferramentas elétricas apenas com as baterias especificamente designadas. A utilização de uma bateria diferente pode criar um risco de ferimentos e de incêndio.
3. Quando a bateria não está a ser utilizada, mantenha-a afastada de outros objetos metálicos, como cliques, moedas, chaves, pregos, parafusos ou outros objetos metálicos pequenos que possam fazer a ligação entre os dois terminais. Colocar os terminais da bateria em curto-circuito um com o outro pode provocar queimaduras ou um incêndio.
4. Em condições abusivas, o líquido pode ser ejetado da bateria; evite o contacto com o mesmo. Se ocorrer um contacto acidental, lave com água. Se o líquido entrar em contacto com os olhos, procure também assistência médica. O líquido ejetado da bateria pode provocar irritações ou queimaduras.
5. Não utilize um conjunto de baterias ou uma ferramenta que se encontrem danificados ou modificados. As baterias danificadas ou modificadas poderão exibir um comportamento imprevisível, resultando em incêndio, explosão ou risco de lesão.
6. Não exponha um conjunto de baterias ou uma ferramenta a incêndio ou temperatura excessiva. A exposição a incêndio ou a uma temperatura superior a 130 °C poderá causar uma explosão.
7. Siga todas as instruções de carregamento e não carregue o conjunto de baterias ou ferramenta fora da amplitude de temperaturas especificada nas instruções. O carregamento impróprio ou a temperaturas fora da amplitude

especificada poderá danificar a bateria e aumentar o risco de incêndio.

Segurança elétrica e da bateria

1. **Não elimine a(s) bateria(s) no fogo.** A célula pode explodir. Verifique com os códigos locais as possíveis instruções de eliminação especiais.
2. **Não abra nem mutile a(s) bateria(s).** O eletrólito libertado é corrosivo e pode provocar danos nos olhos ou na pele. Pode ser tóxico se for engolido.
3. **Não carregue a bateria sob chuva ou em locais húmidos.**
4. **Não carregue a bateria ao ar livre.**
5. **Não toque no carregador, incluindo a ficha do carregador e os terminais do carregador, com as mãos molhadas.**
6. **Não substitua a bateria com as mãos molhadas.**
7. **Não substitua a bateria à chuva.**
8. **Não molhe o terminal da bateria com líquido, tal como água, nem submerja a bateria. Não deixe a bateria à chuva nem carregue, utilize ou guarde a bateria num local húmido ou molhado.** Se o terminal ficar molhado ou entrar líquido para a bateria, a bateria pode entrar em curto-circuito e existe um risco de sobreaquecimento, incêndio ou explosão.
9. **Após remover a bateria da máquina ou do carregador, certifique-se de que a guarda num local seco.**
10. **Se a bateria ficar húmida, drene a água no interior e limpe-a com um pano seco. Seque a bateria completamente num local seco antes de utilizá-la.**

Assistência

1. **A ferramenta elétrica deve receber assistência por parte de pessoal qualificado que utilize apenas peças de substituição idênticas.** Isto garantirá que a segurança da ferramenta elétrica é mantida.
2. **Nunca repare conjuntos de baterias danificados.** A reparação de conjuntos de baterias apenas deve ser realizada pelo fabricante ou por prestadores de serviços autorizados.

GUARDE ESTAS INSTRUÇÕES.

⚠️ AVISO: NÃO permita que o conforto ou a familiaridade com o produto (adquirido com o uso repetido) substitua a adesão estrita às regras de segurança da ferramenta.

A MÁ INTERPRETAÇÃO ou o não seguimento das regras de segurança estabelecidas neste manual de instruções pode causar danos pessoais graves.

Instruções de segurança importantes para a bateria

1. **Antes de utilizar a bateria, leia todas as instruções e etiquetas de precaução no (1) carregador de bateria (2) bateria e (3) produto que utiliza a bateria.**
2. **Não desmonte ou manipule a bateria.** Pode resultar num incêndio, em calor excessivo ou

numa explosão.

3. **Se o tempo de funcionamento se tornar excessivamente curto, pare o funcionamento imediatamente. Pode resultar em sobreaquecimento, possíveis queimaduras e mesmo explosão.**
4. **Se entrar eletrólito nos seus olhos, lave-os com água e consulte imediatamente um médico. Pode resultar em perda de visão.**
5. **Não coloque a bateria em curto-circuito:**
 - (1) **Não toque nos terminais com qualquer material condutor.**
 - (2) **Evite guardar a bateria juntamente com outros objetos metálicos tais como pregos, moedas, etc.**
 - (3) **Não exponha a bateria à água ou chuva. Um curto-circuito pode ocasionar um enorme fluxo de corrente, sobreaquecimento, possíveis queimaduras e mesmo estragar-se.**
6. **Não guarde nem utilize a ferramenta e a bateria em locais onde a temperatura pode atingir ou exceder 50 °C.**
7. **Não queime a bateria mesmo que esteja estragada ou completamente gasta. A bateria pode explodir no fogo.**
8. **Não pregue, corte, esmague, atire, deixe cair a bateria, nem bata a bateria contra um objeto rijo.** Esta conduta pode resultar num incêndio, em calor excessivo ou numa explosão.
9. **Não utilize uma bateria danificada.**
10. **As baterias de íões de lítio contidas na ferramenta são sujeitas aos requisitos da DGL (Dangerous Goods Legislation - Legislação de bens perigosos).**

Para o transporte comercial, por exemplo, por terceiros ou agentes de expedição, têm de ser observados os requisitos referentes à embalagem e etiquetagem.

Para preparação do artigo a ser expedido, é necessário consultar um perito em materiais perigosos. Tenha ainda em conta a possibilidade de existirem regulamentos nacionais mais detalhados.

Coloque fita-cola ou tape os contactos abertos e embale a bateria de tal forma que não possa mover-se dentro da embalagem.
11. **Quando eliminar a bateria, remova-a da ferramenta e elimine-a num local seguro. Siga os regulamentos locais relacionados com a eliminação de baterias.**
12. **Utilize as baterias apenas com os produtos especificados pela Makita.** Instalar as baterias em produtos não-conformes poderá resultar num incêndio, calor excessivo, explosão ou fuga de eletrólito.
13. **Se a ferramenta não for utilizada durante um período de tempo prolongado, a bateria deve ser removida da ferramenta.**
14. **Durante e após a utilização, a bateria pode aquecer, o que pode provocar queimaduras ou queimaduras a baixa temperatura. Preste atenção ao manuseamento de baterias quentes.**
15. **Não toque no terminal da ferramenta imediatamente após a utilização, pois pode**

ficar suficientemente quente para provocar queimaduras.

16. Não permita a adesão de aparas, pó ou sujidade nos terminais, nos orifícios e nas ranhuras da bateria. Poderá fazer com que a ferramenta ou a bateria aqueça, incendeie, rebente e avarie, resultando em queimaduras ou ferimentos corporais.
17. A menos que a ferramenta suporte a utilização perto de linhas elétricas de alta tensão, não utilize a bateria perto de linhas elétricas de alta tensão. Pode resultar no mau funcionamento ou na avaria da ferramenta ou bateria.
18. Mantenha a bateria afastada das crianças.

GUARDE ESTAS INSTRUÇÕES.

⚠️ PRECAUÇÃO: Utilize apenas baterias genuínas da Makita. A utilização de baterias não genuínas da Makita ou de baterias que foram alteradas, pode resultar no rebentamento da bateria provocando incêndios, ferimentos pessoais e danos. Além disso, anulará a garantia da Makita no que se refere à ferramenta e ao carregador Makita.

Conselhos para manter a máxima vida útil da bateria

1. Carregue a bateria antes que esteja completamente descarregada. Pare sempre o funcionamento da ferramenta e carregue a bateria quando notar menos poder na ferramenta.
2. Nunca carregue uma bateria completamente carregada. Carregamento excessivo diminui a vida útil da bateria.
3. Carregue a bateria à temperatura ambiente de 10 °C – 40 °C. Deixe que uma bateria quente arrefeça antes de a carregar.
4. Quando não utilizar a bateria, remova-a da ferramenta ou do carregador.
5. Carregue a bateria se não a utilizar durante um longo período de tempo (mais de seis meses).

MONTAGEM

⚠️ PRECAUÇÃO: Certifique-se sempre de que todas as baterias foram retiradas antes de efetuar qualquer trabalho na máquina. A não remoção de todas as baterias pode resultar em ferimentos pessoais graves devido a um arranque acidental.

Montar os tubos do soprador

1. Solte o parafuso de fixação.
▶ **Fig.2:** 1. Parafuso de aperto
2. Instale a pega de controlo no tubo de articulação e aperte o parafuso de fixação. Certifique-se de que não posiciona a pega de controlo para a frente além das marcas de seta.
▶ **Fig.3:** 1. Pega de controlo 2. Tubo de articulação 3. Parafuso de aperto 4. Marcas de seta

OBSERVAÇÃO: Tenha cuidado para não torcer o cabo da pega de controlo quando prender a pega de controlo no tubo de articulação.

3. Solte o parafuso na braçadeira e, em seguida, instale a braçadeira no bocal final. Alinhe as ranhuras no bocal final com as saliências no tubo de articulação e, em seguida, instale o bocal final no tubo de articulação e, em seguida, aperte o parafuso na braçadeira.
▶ **Fig.4:** 1. Bocal final 2. Braçadeira 3. Tubo de articulação 4. Ranhura 5. Saliência 6. Parafuso

4. Solte o parafuso na braçadeira e, em seguida, instale a alavanca do bocal na braçadeira e, em seguida, instale a braçadeira no tubo flexível. Instale o tubo de articulação no tubo flexível e, em seguida, aperte o parafuso na braçadeira.
▶ **Fig.5:** 1. Tubo de articulação 2. Alavanca do bocal 3. Braçadeira 4. Tubo flexível 5. Parafuso

5. Solte o parafuso na braçadeira e, em seguida, prenda a braçadeira no tubo flexível. Prenda o tubo flexível no cotovelo e, em seguida, aperte o parafuso na braçadeira.
▶ **Fig.6:** 1. Tubo flexível 2. Braçadeira 3. Cotovelo

OBSERVAÇÃO: Certifique-se de que o parafuso na braçadeira não está voltado para fora como apresentado na figura.

▶ **Fig.7:** 1. Parafuso

6. Prenda o cabo de controlo nos suportes do cabo.
▶ **Fig.8:** 1. Suporte do cabo 2. Cabo de controlo

OBSERVAÇÃO: Certifique-se de que o cabo de controlo está firmemente fixo ao suporte de cabos.

Ajustar o cinto e o arnês para o ombro

1. Coloque a máquina, depois feche a fivela do cinto da cintura e, em seguida, regule o comprimento do cinto da cintura.
▶ **Fig.9:** 1. Fivela
2. Regule o comprimento do arnês para o ombro.
▶ **Fig.10:** 1. Arnês para o ombro

Ajustar a posição da alavanca de controlo

Solte o parafuso de fixação. Mova a pega de controlo ao longo do tubo de articulação para a posição mais confortável e, em seguida, aperte o parafuso de fixação.

Não mova a pega além das marcas de seta.

- ▶ **Fig.11:** 1. Pega de controlo 2. Tubo de articulação 3. Parafuso de aperto 4. Marcas de seta

Instalar a tampa de difusão

Pode difundir a névoa ao instalar a tampa de difusão no bocal final como apresentado na figura.

- ▶ **Fig.12:** 1. Tampa de difusão

Instalar o defletor

Acessório opcional

Pode descarregar a névoa para cima ou para baixo ao instalar o defletor no bocal final como apresentado na figura.

► Fig.13: 1. Defletor

DESCRIÇÃO FUNCIONAL

⚠️ PRECAUÇÃO: Certifique-se sempre de que a máquina está desligada e que todas as baterias foram retiradas antes de ajustar ou verificar qualquer função na máquina.

Instalação ou remoção da bateria

⚠️ PRECAUÇÃO: Desligue sempre a máquina antes de instalar ou retirar a bateria.

⚠️ PRECAUÇÃO: Segure firmemente a máquina e a bateria quando instalar ou remover a bateria. Se não segurar firmemente a máquina e a bateria pode fazer com que escorreguem das suas mãos resultando em danos na máquina e na bateria e ferimentos pessoais.

⚠️ PRECAUÇÃO: Certifique-se de que tranca a tampa da bateria antes de utilizar a ferramenta. Caso contrário a lama, sujidade ou água podem provocar danos no produto ou na bateria.

⚠️ PRECAUÇÃO: Instale sempre a bateria até encaixar no lugar, ou seja, até não conseguir ver o indicador vermelho. Caso contrário, pode cair acidentalmente para fora da máquina, causando ferimentos a si ou a alguém próximo de si.

⚠️ PRECAUÇÃO: Não instale a bateria forçando-a. Se a bateria não entrar com facilidade, é porque não está a inseri-la corretamente.

⚠️ PRECAUÇÃO: Segure firmemente a tampa da bateria quando instalar ou remover a bateria.

Para instalar a bateria:

1. Puxe a alavanca de bloqueio para cima e, em seguida, abra a tampa da bateria.

► Fig.14: 1. Alavanca de bloqueio 2. Tampa da bateria

2. Alinhe a lingueta na bateria com a ranhura na máquina e, em seguida, deslize a bateria até bloquear no lugar com um pequeno clique.

► Fig.15: 1. Bateria

3. Feche a tampa da bateria e empurre-a até travar com a alavanca de bloqueio.

Para remover a bateria:

1. Puxe a alavanca de bloqueio para cima e abra a tampa da bateria.

2. Retire a bateria da máquina enquanto desliza o botão na frente da bateria.

► Fig.16: 1. Bateria

3. Feche a tampa da bateria.

Botão de verificação da bateria

Pode verificar a capacidade da bateria restante ao pressionar o botão de verificação da bateria.

► Fig.17: 1. Indicador da bateria 2. Botão de verificação da bateria

Estado dos indicadores da bateria			Capacidade restante da bateria
Aceso	Apagado	A piscar	
			50% a 100%
			20% a 50%
			0% a 20%

NOTA: A luz indicadora para a restante capacidade da bateria serve apenas de referência. A capacidade efetiva da bateria pode diferir em função das condições de utilização ou da temperatura ambiente.

NOTA: Enquanto a máquina estiver em operação, a luz indicadora não acende mesmo que pressione o botão de verificação.

NOTA: A luz apaga automaticamente após alguns segundos.

NOTA: Se estiverem instaladas duas baterias, a bateria instalada no lado direito é utilizada primeiro.

NOTA: Se estiverem instaladas duas baterias, a máquina troca automaticamente a bateria quando a bateria em utilização ficar vazia.

Indicação da capacidade restante da bateria

Prima o botão de verificação na bateria para indicar a capacidade restante da bateria. As luzes indicadoras acendem durante alguns segundos.

► Fig.18: 1. Luzes indicadoras 2. Botão de verificação

Luzes indicadoras			Capacidade restante
Aceso	Apagado	A piscar	
			75% a 100%
			50% a 75%
			25% a 50%
			0% a 25%
			Carregar a bateria.

Luzes indicadoras			Capacidade restante
Aceso	Apagado	A piscar	
			A bateria pode estar avariada.
	 ↑ ↓ 		

NOTA: Dependendo das condições de utilização e da temperatura ambiente, a indicação pode ser ligeiramente diferente da capacidade real.

NOTA: A primeira luz indicadora (extremo esquerdo) pisca quando o sistema de proteção da bateria funciona.

Sistema de proteção da máquina/bateria

A máquina está equipada com um sistema de proteção da máquina/bateria. Este sistema desliga automaticamente a alimentação do motor para prolongar a vida útil da máquina e da bateria. A máquina para automaticamente durante o funcionamento se a máquina ou a bateria for colocada numa das seguintes condições:

Proteção contra sobrecarga

Quando a máquina ou bateria é utilizada de uma forma que causa a absorção de uma corrente anormalmente alta, a máquina para automaticamente e a lâmpada de alimentação principal pisca a verde. Nesta situação, desligue a máquina e pare a aplicação que causou a sobrecarga da máquina. Em seguida, ligue a máquina para reiniciar.

Proteção contra sobreaquecimento

Quando a máquina estiver sobreaquecida, a máquina para automaticamente e a lâmpada de alimentação principal acende a vermelho. Neste caso, deixe a máquina e a bateria arrefecerem antes de ligar novamente a máquina.

NOTA: A lâmpada de alimentação principal pisca a vermelho quando a bateria estiver sobreaquecida.

Proteção contra descarga excessiva

Quando a capacidade da bateria não for suficiente, a máquina para automaticamente e a lâmpada de alimentação principal pisca a vermelho. Neste caso, remova a bateria da máquina e carregue a bateria ou substitua a bateria por uma bateria totalmente carregada.

Proteções contra outras causas

O sistema de proteção foi também concebido para outras causas que possam danificar a máquina e permite à máquina parar automaticamente. Tome todas as medidas que se seguem para eliminar as causas quando a máquina tiver parado ou interrompido temporariamente a operação.

1. Desligue a máquina e, em seguida, volte a ligá-la para reiniciar.
2. Carregue a(s) bateria(s) ou substitua-a(s) por

bateria(s) recarregada(s).

3. Deixe a máquina e a(s) bateria(s) arrefecerem.

Se não for possível constatar qualquer melhoria através do restauro do sistema de proteção, contacte o centro de assistência Makita local.

OBSERVAÇÃO: Se a máquina parar devido a uma causa não descrita acima, consulte a secção de resolução de problemas.

Interruptor de alimentação principal

AVISO: Desligue sempre o interruptor de alimentação principal quando não estiver a ser utilizado.

Para ligar a máquina, pressione o interruptor de alimentação principal. As lâmpadas acendem a verde. Para desligar, pressione e mantenha o interruptor de alimentação principal pressionado até as lâmpadas desligarem.

► **Fig.19:** 1. Indicador de velocidade 2. Interruptor de alimentação principal

A velocidade pode ser mudada em três níveis. Para alterar o modo de velocidade, pressione o interruptor de alimentação principal. Quando altera o modo de velocidade, os indicadores de velocidade correspondentes acendem.

NOTA: A máquina utiliza a função de desconexão automática. Para evitar o arranque não intencional, o interruptor de alimentação principal desliga automaticamente quando a máquina não é operada durante um determinado período de tempo, depois de se ligar o interruptor de alimentação principal.

NOTA: Se a lâmpada de alimentação principal acender a vermelho ou piscar a vermelho ou a verde, consulte as instruções relativas ao sistema de proteção da máquina/bateria.

Ação do interruptor

AVISO: Antes de instalar a bateria na máquina, verifique sempre se o gatilho do interruptor atua devidamente e retorna à posição de desligado quando é solto.

Para efetuar o arranque da máquina, puxe o gatilho do interruptor enquanto puxa a alavanca de ativação. A velocidade aumenta ao aumentar a pressão no gatilho do interruptor. Solte o gatilho do interruptor para parar.

► **Fig.20:** 1. Gatilho 2. Alavanca de ativação

Abriu e fechar as alavancas

A máquina está equipada com três alavancas.

Alavanca do bocal

A alavanca do bocal é utilizada para pulverizar névoa. Normalmente, feche a alavanca do bocal e abra a alavanca do bocal apenas quando pulverizar névoa.

► **Fig.21:** 1. Fechado 2. Aberto

Alavanca de drenagem

A alavanca de drenagem é utilizada para drenar o líquido no reservatório. Quando operar a máquina, feche sempre a alavanca.

► **Fig.22:** 1. Fechado 2. Aberto

Alavanca do reservatório

A alavanca do reservatório é utilizada quando substitui o filtro. Quando operar a máquina, abra sempre a alavanca.

► **Fig.23:** 1. Fechado 2. Aberto

Botão de ajuste da quantidade de alimentação

Pode ajustar a quantidade de líquido alimentado para o bocal final. Para alimentar a quantidade máxima de líquido, rode o botão de modo que "4" fique alinhado com a marca triangular. Para alimentar a quantidade mínima de líquido, rode o botão de modo que "1" fique alinhado com a marca triangular.

► **Fig.24:** 1. Botão de ajuste da quantidade de alimentação 2. Marca triangular

Função eletrônica

A máquina está equipada com a função eletrônica para operação fácil.

- Controlo constante da velocidade
A função de controlo da velocidade assegura a velocidade constante da rotação independentemente das condições de carga.
- Função da válvula de alimentação
A máquina está equipada com a válvula de alimentação. A válvula de alimentação abre automaticamente para alimentar o líquido no reservatório quando o gatilho do interruptor é puxado e fecha automaticamente quando o gatilho do interruptor é solto.

Função de prevenção de reinício acidental

Quando liga a máquina enquanto puxa a alavanca de ativação e o gatilho do interruptor, a máquina não arranca e a lâmpada de alimentação principal pisca a verde. Para arrancar a máquina, solte primeiro o gatilho do interruptor e, em seguida, ligue a máquina.

OPERAÇÃO

⚠PRECAUÇÃO: Quando colocar a máquina, certifique-se de que coloca o arnês para o ombro nos seus dois ombros. Caso contrário, a máquina pode cair quando colocar ou utilizar a máquina, e provocar ferimentos.

⚠PRECAUÇÃO: Quando colocar a máquina, certifique-se de que coloca a máquina nas suas costas. Caso contrário, a máquina pode cair durante a operação e provocar ferimentos.

⚠PRECAUÇÃO: Não coloque a máquina no chão enquanto estiver a funcionar. A areia ou o pó pode entrar a partir da entrada de sucção e causar uma avaria ou ferimentos pessoais.

Antes de operar a máquina, ajuste o comprimento do arnês para o ombro e o cinto da cintura.

1. Coloque a máquina numa superfície plana e estável.

2. Certifique-se de que as alavancas estão nas seguintes posições.

- A alavanca de drenagem está na posição fechada.

► **Fig.25:** 1. Alavanca de drenagem

- A alavanca do reservatório está na posição aberta.

► **Fig.26:** 1. Alavanca do reservatório

- A alavanca do bocal está na posição fechada.

► **Fig.27:** 1. Alavanca do bocal

3. Abra a tampa do reservatório e, em seguida, instale o filtro.

► **Fig.28:** 1. Tampa do reservatório 2. Filtro

4. Verta o líquido no reservatório e, em seguida, aperte a tampa do reservatório.

► **Fig.29**

5. Coloque a máquina e, em seguida, bloqueie a fivela do cinto da cintura.

6. Rode a alavanca do bocal de modo que a alavanca do bocal fique na posição aberta.

► **Fig.30:** 1. Alavanca do bocal

7. Ligue a máquina e, em seguida, segure a pega de controlo firmemente e realize a operação de pulverização de névoa.

Após a operação, rode a alavanca do bocal de modo que a alavanca do bocal fique na posição fechada.

Quando assentar a máquina, abra a fivela do cinto da cintura e, depois, assente a máquina lentamente.

► **Fig.31:** 1. Fivela

NOTA: Pode mexer o líquido no reservatório, rodando o filtro como apresentado na figura.

► **Fig.32:** 1. Filtro

MANUTENÇÃO

⚠️ PRECAUÇÃO: Certifique-se sempre de que todas as baterias estão retiradas da máquina antes de a armazenar ou transportar ou tentar efetuar uma inspeção ou manutenção.

Para manter a SEGURANÇA e a FIABILIDADE do produto, as reparações e qualquer outra manutenção ou ajuste devem ser levados a cabo pelos centros de assistência Makita autorizados ou pelos centros de assistência de fábrica, utilizando sempre peças de substituição Makita.

Drenar o líquido

Quando drenar o líquido no reservatório, remova a mangueira da unidade principal e, em seguida, drene o líquido no reservatório para o recipiente, abrindo a alavanca de drenagem. Após drenar o líquido, certifique-se de que fecha a alavanca de drenagem e instale a mangueira na unidade principal.

► Fig.33: 1. Alavanca de drenagem 2. Mangueira

NOTA: Para esvaziar o reservatório completamente, incline a unidade principal ligeiramente na direção da saída da mangueira.

Limpar a máquina

OBSERVAÇÃO: Nunca utilize gasolina, benzina, diluente, álcool ou produtos semelhantes. Pode ocorrer a descoloração, deformação ou rachaduras.

Limpe a máquina limpando o pó com um pano seco ou um pano embebido em água com sabão e torcido.

Remova o pó ou a sujidade da entrada de sucção.

► Fig.34: 1. Entrada de sucção

Limpar o filtro

Limpe o filtro regularmente. Para limpar o filtro, siga os passos seguintes.

1. Remova as baterias e, em seguida, feche a alavanca do reservatório.

2. Remova a tampa do filtro, rodando-a para a esquerda e, em seguida, remova o filtro.

► Fig.35: 1. Tampa do filtro 2. Filtro

3. Limpe o filtro com água corrente.

4. Instale o filtro na unidade principal e, em seguida, aperte a tampa do filtro.

5. Abra a alavanca do reservatório.

Armazenamento

Antes de armazenar a máquina, efetue a manutenção completa. Guarde a máquina num local fora do alcance das crianças e não exposto à humidade, chuva ou luz solar direta.

Pode ligar a fita do tubo à máquina conforme apresentado na figura para levantar o tubo.

► Fig.36: 1. Fita

Substituir o bocal

Pode substituir o bocal padrão pelo bocal VUB (Volume Ultra Baixo). O bocal VUB pode descarregar névoa mais fina do que o bocal padrão. Para substituir o bocal, siga os passos seguintes.

1. Solte o parafuso e remova-o e, em seguida, remova o lado frontal do bocal final.

► Fig.37: 1. Parafuso 2. Bocal final

2. Remova o bocal padrão, rodando o bocal para a esquerda utilizando a chave.

► Fig.38: 1. Chave 2. Bocal padrão

3. Remova o anel em O do bocal padrão e, em seguida, instale-o no bocal VUB.

► Fig.39: 1. Anel em O 2. Bocal padrão 3. Bocal VUB

4. Prenda o bocal VUB, rodando o bocal para a direita utilizando a chave.

► Fig.40: 1. Chave 2. Bocal VUB

OBSERVAÇÃO: Não aperte o bocal demasiado. O binário de aperto recomendado é de aproximadamente 1,0 N·m. Apertar o bocal demasiado pode danificar a peça de montagem do bocal.

5. Instale o bocal final e, em seguida, aperte o parafuso.

► Fig.41: 1. Parafuso 2. Bocal final

RESOLUÇÃO DE PROBLEMAS

Antes de pedir uma reparação, realize primeiro a sua própria inspeção. Se encontrar um problema que não esteja explicado no manual, não tente desmontar a máquina. Em vez disso, peça as reparações nos centros de assistência autorizados da Makita, usando sempre peças de substituição da Makita.

Estado da anomalia	Causa provável (avaria)	Correção
O motor não funciona.	A bateria não está instalada.	Instale a bateria.
	Problema com a bateria (baixa tensão)	Recarregue a bateria. Se o carregamento não for eficaz, substitua a bateria.
	O sistema de acionamento não funciona corretamente.	Peça a reparação no centro de assistência autorizado local.

Estado da anomalia	Causa provável (avaria)	Correção
O motor para de funcionar após pouco uso.	O nível de carga da bateria está baixo.	Recarregue a bateria. Se o carregamento não for eficaz, substitua a bateria.
	Sobreaquecimento.	Pare a utilização da máquina para que a mesma possa arrefecer.
A névoa não é descarregada.	O reservatório está vazio.	Encha o reservatório com líquido.
	A alavanca do bocal ou a alavanca do reservatório está fechada.	Abra a alavanca do bocal e a alavanca do reservatório.
	O bocal está obstruído.	Remova o bocal padrão ou o bocal VUB e, em seguida, limpe o bocal com água corrente para remover o material obstruído.
	O filtro está obstruído.	Remova o filtro e, em seguida, limpe o filtro com água corrente para remover o material obstruído.
A máquina não atinge a velocidade máxima.	A bateria está mal instalada.	Instale a bateria conforme descrito no presente manual.
	A potência da bateria está a baixar.	Recarregue a bateria. Se o carregamento não for eficaz, substitua a bateria.
	O sistema de acionamento não funciona corretamente.	Peça a reparação no centro de assistência autorizado local.
Vibração anormal: ⇒ pare a máquina imediatamente!	O sistema de acionamento não funciona corretamente.	Peça a reparação no centro de assistência autorizado local.
O motor não consegue parar: ⇒ retire imediatamente a bateria!	Falha de funcionamento elétrica ou eletrónica.	Retire a bateria e peça a reparação no centro de assistência autorizado local.

ACESSÓRIOS OPCIONAIS

⚠PRECAUÇÃO: Estes acessórios ou complementos são recomendados para utilização com o produto Makita especificado neste manual. A utilização de quaisquer outros acessórios ou complementos pode representar risco de ferimentos a pessoas. Utilize apenas acessórios ou complementos para os respetivos fins indicados.

Se necessitar de informações adicionais relativas a estes acessórios, solicite-as ao seu centro de assistência Makita.

- Defletor
- Bateria e carregador genuínos da Makita

NOTA: Alguns itens na lista poderão estar incluídos na embalagem do produto como acessórios padrão. Podem diferir de país para país.

ΠΡΟΔΙΑΓΡΑΦΕΣ

Μοντέλο:		PM001G
Ικανότητες	Όγκος αέρα	7,4 - 14,3 m ³ /min *1
	Ταχύτητα αέρα (μέση)	28,0 - 53,0 m/s
	Ταχύτητα αέρα (μέγ.)	34,0 - 64,0 m/s
Χωρητικότητα δεξαμενής		15 l
Όγκος συνολικού υπολείμματος		50 ml ή λιγότερο
Διαστάσεις (Μ x Π x Υ) (με ακροφύσιο άκρου)		320 mm x 600 mm x 690 mm
Ονομαστική τάση		D.C. 36 V - 40 V μέγ.
Καθαρό βάρος	*2	11,9 kg
	*3	12,8 - 15,7 kg
Βαθμός προστασίας		IPX4

- Λόγω του συνεχιζόμενου προγράμματος έρευνας και ανάπτυξης, οι προδιαγραφές αυτές υπόκεινται σε αλλαγές χωρίς προειδοποίηση.
- Τα τεχνικά χαρακτηριστικά μπορεί να διαφέρουν από χώρα σε χώρα.

*1: Η μέγιστη παροχή αέρα είναι 858 m³/h.

*2: Βάρος όταν η δεξαμενή είναι άδεια, χωρίς τις μπαταρίες, με σωλήνες, ακροφύσιο και καλωδιώσεις.

*3: Ο μικρότερος και μεγαλύτερος συνδυασμός βάρους, σύμφωνα με τη διαδικασία ΕΡΤΑ 01/2014. Το βάρος μπορεί να διαφέρει ανάλογα με τα προσαρτήματα, συμπεριλαμβάνοντας τις κασέτες μπαταριών.

Ισχύουσα κασέτα μπαταριών και φορτιστής

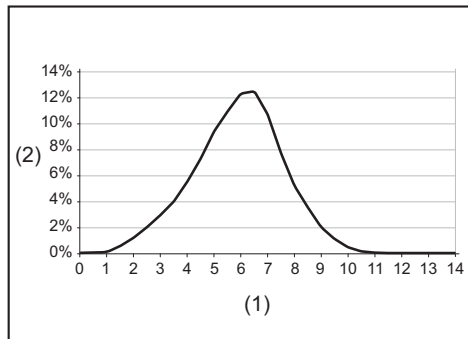
Κασέτα μπαταρίας	BL4040F / BL4050F / BL4080F
Φορτιστής	DC40RA / DC40RB / DC40RC / DC40WA

- Ορισμένες από τις κασέτες και τους φορτιστές μπαταριών που αναγράφονται παραπάνω ίσως να μην είναι διαθέσιμοι, ανάλογα με την τοποθεσία κατοικίας σας.

⚠ ΠΡΟΕΙΔΟΠΟΙΗΣΗ: Να χρησιμοποιείτε μόνο τις κασέτες μπαταριών και τους φορτιστές που παρατίθενται ανωτέρω. Η χρήση οποιασδήποτε άλλης κασέτας μπαταριών ή φορτιστή μπορεί να προκαλέσει τραυματισμό ή/και πυρκαγιά.

⚠ ΠΡΟΕΙΔΟΠΟΙΗΣΗ: Μην χρησιμοποιείτε ενσύρματη ηλεκτρική παροχή, όπως φορητή ηλεκτρική τροφοδότηση, με αυτό το μηχάνημα.

Οριζόντιο εύρος ψεκασμού



(1) Απόσταση από παροχή ροής (m) (2) Ποσοστό του μέσου που εναποτίθεται στο έδαφος

Μέγεθος σταγονιδίου

Μέγεθος σταγονιδίου με τυπικό ακροφύσιο

Ρύθμιση κομβίου προσαρμογής	Dn 0.1	Dn 0.5	Dn 0.9
1	22 μm	57 μm	112 μm
2	37 μm	102 μm	251 μm
3	40 μm	111 μm	267 μm
4	42 μm	115 μm	280 μm

Μέγεθος σταγονιδίου με ακροφύσιο ULV

Ρύθμιση κομβίου προσαρμογής	Dn 0.1	Dn 0.5	Dn 0.9
1 - 4	14 μm	41 μm	85 μm

Ρυθμός εκκένωσης για θέσεις εργασίας

► Εικ. 1

Ρυθμός εκκένωσης με τυπικό ακροφύσιο














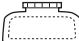
Ρύθμιση κομβίου προσαρμογής	Γωνία ακροφυσίου		
	- 30°	0°	30°
1	0,23 l/min	0,19 l/min	0,12 l/min
2	1,13 l/min	0,71 l/min	0,34 l/min
3	1,37 l/min	0,95 l/min	0,49 l/min
4	1,55 l/min	1,21 l/min	0,51 l/min

Ρυθμός εκκένωσης με ακροφύσιο ULV

Ρύθμιση κομβίου προσαρμογής	Γωνία ακροφυσίου		
	- 30°	0°	30°
1 - 4	0,05 l/min	0,04 l/min	0,03 l/min

ΠΑΡΑΤΗΡΗΣΗ: Οι τιμές σε αυτές τις προδιαγραφές ψεκασμού μπορεί να διαφέρουν ανάλογα με τις συνθήκες εργασίας ή τη θερμοκρασία περιβάλλοντος.

Παρακάτω παρουσιάζονται τα σύμβολα που μπορούν να χρησιμοποιηθούν για τον εξοπλισμό. Βεβαιωθείτε ότι κατανοείτε τη σημασία τους πριν από τη χρήση.

-  Απαιτούνται ιδιαίτερη φροντίδα και προσοχή.
-  Διαβάστε το εγχειρίδιο οδηγιών.
-  Να φοράτε προστασία ματιών και ωτοασπίδες.
-  Φοράτε αναπνευστική προστασία.
-  Μην εκθέτετε σε υγρασία.
-  Να φοράτε ανθεκτικές μπότες με αντι-στατικές σόλες. Συνιστώνται μπότες ασφαλείας με ασφάλινα προστατευτικά για τα δάκτυλα των ποδιών.
-  Να φοράτε προστατευτικά γάντια.
-  Φοράτε προστατευτικά ρούχα.
-  Απομακρύνετε τους παρευρισκόμενους κατά τον ψεκασμό.
-  Να κρατάτε τα χέρια σας μακριά από τα περιστρεφόμενα μέρη.
-  Τα μακριά μαλλιά μπορεί να προκαλέσουν ατύχημα μπλεξιματος.
-  Να απομακρύνετε τυχόν παρευρισκόμενους.
-  Βάρος όταν η δεξαμενή είναι άδεια.
-  Βάρος όταν η δεξαμενή είναι γεμάτη.



Μόνο για τις χώρες της ΕΕ
Λόγω της παρουσίας των επικίνδυνων συστατικών μερών στον εξοπλισμό, ο απόβλητος ηλεκτρικός και ηλεκτρονικός εξοπλισμός, οι συσσωρευτές και οι μπαταρίες μπορεί να έχουν αρνητική επίδραση στο περιβάλλον και την ανθρώπινη υγεία. Μην απορρίπτετε τις ηλεκτρικές και ηλεκτρονικές συσκευές ή μπαταρίες μαζί με τα οικιακά απορρίμματα!
Σύμφωνα με την Ευρωπαϊκή Οδηγία για τον απόβλητο ηλεκτρικό και ηλεκτρονικό εξοπλισμό και για τους συσσωρευτές και μπαταρίες και τους απόβλητους συσσωρευτές και μπαταρίες, καθώς και την προσαρμογή τους στην εθνική νομοθεσία, ο απόβλητος ηλεκτρικός εξοπλισμός, οι μπαταρίες και οι συσσωρευτές θα πρέπει να αποθηκεύονται ξεχωριστά και να παραδίδονται σε ξεχωριστό σημείο συλλογής για δημοτικά απόβλητα, το οποίο λειτουργεί σύμφωνα με τους κανονισμούς για την προστασία του περιβάλλοντος. Αυτό υποδεικνύεται από το σύμβολο του διαγραμμένου τροχοφόρου κάδου που βρίσκεται αναρτημένο επάνω στον εξοπλισμό.



Εγγυημένη στάθμη ηχητικής ισχύος σύμφωνα με την Οδηγία της ΕΕ για την εκπομπή θορύβου σε εξωτερικούς χώρους.



Στάθμη ηχητικής ισχύος σύμφωνα με τον Κανονισμό ελέγχου θορύβου της Νέας Νότιας Ουαλίας της Αυστραλίας

Προοριζόμενη χρήση

Το μηχάνημα προορίζεται για το φύσημα νεφελώματος.

Θόρυβος

Το τυπικό Α επίπεδο καταμετρημένου θορύβου καθορίζεται σύμφωνα με το ISO22868:

Στάθμη ηχητικής πίεσης (L_{pA}): 84,5 dB (A)

Στάθμη ηχητικής ισχύος (L_{WA}): 103,3 dB (A)

Αβεβαιότητα (K): 2,3 dB (A)

ΠΑΡΑΤΗΡΗΣΗ: Η δηλωμένη τιμή(ές) εκπομπής θορύβου έχει μετρηθεί σύμφωνα με την πρότυπη μέθοδο δοκιμής και μπορεί να χρησιμοποιηθεί για τη σύγκριση ενός εργαλείου με κάποιο άλλο.

ΠΑΡΑΤΗΡΗΣΗ: Η δηλωμένη τιμή(ές) εκπομπής θορύβου μπορεί να χρησιμοποιηθεί και στην προκαταρκτική αξιολόγηση της έκθεσης.

⚠️ ΠΡΟΕΙΔΟΠΟΙΗΣΗ: Να φοράτε ωτοασπίδες.

⚠️ ΠΡΟΕΙΔΟΠΟΙΗΣΗ: Η εκπομπή θορύβου κατά τη χρήση του ηλεκτρικού εργαλείου σε πραγματικές συνθήκες μπορεί να διαφέρει από τη δηλωμένη τιμή(ές) ανάλογα με τους τρόπους χρήσης του εργαλείου, ιδιαίτερα το είδος του τεμαχίου εργασίας που υπόκειται επεξεργασία.

⚠️ ΠΡΟΕΙΔΟΠΟΙΗΣΗ: Φροντίστε να λάβετε τα κατάλληλα μέτρα προστασίας του χειριστή βάσει ενός υπολογισμού της έκθεσης σε πραγματικές συνθήκες χρήσης (λαμβάνοντας υπόψη όλες τις συνιστώσες του κύκλου λειτουργίας όπως τους χρόνους που το εργαλείο είναι εκτός λειτουργίας και όταν βρίσκεται σε αδρανή λειτουργία πέραν του χρόνου ενεργοποίησης).

Κραδασμός

Η ολική τιμή δόνησης (άθροισμα τρι-αξονικού διανύσματος) καθορίζεται σύμφωνα με το ISO22867:
Είδος εργασίας: λειτουργία χωρίς φορτίο
Εκπομπή δόνησης (a_{h1}): 2,5 m/s^2 ή λιγότερο
Αβεβαιότητα (K): 1,5 m/s^2

ΠΑΡΑΤΗΡΗΣΗ: Η δηλωμένη τιμή(ές) συνολικών κραδασμών έχει μετρηθεί σύμφωνα με την πρότυπη μέθοδο δοκιμής και μπορεί να χρησιμοποιηθεί για τη σύγκριση ενός εργαλείου με κάποιο άλλο.

ΠΑΡΑΤΗΡΗΣΗ: Η δηλωμένη τιμή(ές) συνολικών κραδασμών μπορεί να χρησιμοποιηθεί και στην προκαταρκτική αξιολόγηση της έκθεσης.

⚠️ ΠΡΟΕΙΔΟΠΟΙΗΣΗ: Η εκπομπή κραδασμών κατά τη χρήση του ηλεκτρικού εργαλείου σε πραγματικές συνθήκες μπορεί να διαφέρει από τη δηλωμένη τιμή(ές) εκπομπής ανάλογα με τους τρόπους χρήσης του εργαλείου, ιδιαίτερα το είδος του τεμαχίου εργασίας που υπόκειται επεξεργασία.

⚠️ ΠΡΟΕΙΔΟΠΟΙΗΣΗ: Φροντίστε να λάβετε τα κατάλληλα μέτρα προστασίας του χειριστή βάσει ενός υπολογισμού της έκθεσης σε πραγματικές συνθήκες χρήσης (λαμβάνοντας υπόψη όλες τις συνιστώσες του κύκλου λειτουργίας όπως τους χρόνους που το εργαλείο είναι εκτός λειτουργίας και όταν βρίσκεται σε αδρανή λειτουργία πέραν του χρόνου ενεργοποίησης).

Δήλωση Συμμόρφωσης

Μόνο για χώρες της Ευρώπης

Οι Δηλώσεις Συμμόρφωσης περιλαμβάνονται στο Παράρτημα Α στο παρόν χειρίδιο οδηγιών.

ΠΡΟΕΙΔΟΠΟΙΗΣΕΙΣ ΑΣΦΑΛΕΙΑΣ

Γενικές προειδοποιήσεις ασφαλείας για το ηλεκτρικό εργαλείο

⚠️ ΠΡΟΕΙΔΟΠΟΙΗΣΗ Διαβάστε όλες τις προειδοποιήσεις ασφαλείας, οδηγίες, εικονογραφίες και προδιαγραφές που παρέχονται με αυτό το ηλεκτρικό εργαλείο. Η μη τήρηση όλων των οδηγιών που αναγράφονται κατωτέρω μπορεί να καταλήξει σε ηλεκτροπληξία, πυρκαγιά ή/και σοβαρό τραυματισμό.

Φυλάξτε όλες τις προειδοποιήσεις και τις οδηγίες για μελλοντική παραπομπή.

Στις προειδοποιήσεις, ο όρος «ηλεκτρικό εργαλείο» αναφέρεται σε ηλεκτρικό εργαλείο που τροφοδοτείται από την κύρια παροχή ηλεκτρικού ρεύματος (με ηλεκτρικό καλώδιο) ή σε ηλεκτρικό εργαλείο που τροφοδοτείται από μπαταρία (χωρίς ηλεκτρικό καλώδιο).

Οδηγίες ασφάλειας για τον φορητό νεφολοψεκαστήρα πλάτης

⚠ ΠΡΟΕΙΔΟΠΟΙΗΣΗ: Διαβάστε όλες τις προειδοποιήσεις για την ασφάλεια και όλες τις οδηγίες. Η μη τήρηση των προειδοποιήσεων και οδηγιών μπορεί να καταλήξει σε ηλεκτροπληξία, πυρκαγιά ή/και σοβαρό τραυματισμό.

Φυλάξτε όλες τις προειδοποιήσεις και τις οδηγίες για μελλοντική παραπομπή.

Γενικές οδηγίες

1. Για να εξασφαλιστεί η σωστή και ασφαλής λειτουργία, ο χρήστης πρέπει να διαβάσει, να κατανοήσει και να ακολουθήσει το εγχειρίδιο οδηγιών για να εξασφαλίσει την οικειότητα με τον χειρισμό του μηχανήματος. Οι χρήστες οι οποίοι δεν διαθέτουν επαρκή ενημέρωση θα θέσουν σε κίνδυνο τους εαυτούς τους και τους άλλους λόγω του ακατάλληλου χειρισμού.
2. Συνιστάται να δανείζετε το μηχάνημα μόνο σε άτομα που έχουν αποδεδειγμένη εμπειρία με νεφελοψεκαστήρες.
3. Δεν πρέπει να επιτρέπεται τα παιδιά και τα νεαρά άτομα κάτω των 18 ετών να λειτουργούν το μηχάνημα. Ωστόσο, άτομα άνω των 16 ετών μπορούν να χρησιμοποιούν το μηχάνημα για τον σκοπό για τον οποίο έχουν εκπαιδευτεί, μόνο υπό την άμεση καθοδήγηση ενός αρμόδιου εκπαιδευτή.
4. Να χρησιμοποιείτε μόνο προϊόντα προστασίας εργοστασίου που έχουν εγκριθεί ειδικά για χρήση με νεφελοψεκαστήρες από τον κατασκευαστή και ικανοποιούν όλους τους ισχύοντες κανονισμούς, πρότυπα και διατάξεις ασφάλειας.
5. Όλα τα άτομα που αναλαμβάνουν τη λειτουργία και το σέρβις θα πρέπει να εκπαιδευτούν και να εξοικειωθούν με τις διαδικασίες σωστού χειρισμού για τα χημικά προϊόντα που χρησιμοποιούνται, καθώς και τους κανονισμούς διάθεσης υγρών χημικών ουσιών.
6. Για να μειωθεί ο κίνδυνος τραυματισμού κατά τη χρήση χημικών προϊόντων, φοράτε σωστό προστατευτικό εξοπλισμό κατά την πλήρωση, χρήση και καθαρισμό του νεφελοψεκαστήρα. Να τηρείτε πάντα όλες τις οδηγίες του κατασκευαστή χημικού προϊόντος όσον αφορά τη σωστή προστασία ματιών, δέρματος και αναπνευστικού συστήματος.
7. Όταν χρησιμοποιείτε τοξικά χημικά, ο χειριστής και οι παρευρισκόμενοι ενδέχεται να απαιτηθεί να φορούν σωστά προσαρμοσμένο αναπνευστήρα για τη χημική ένωση που χρησιμοποιείται. Ανατρέξτε στην ετικέτα του χημικού προϊόντος. Η εισπνοή τοξικών χημικών ουσιών μπορεί να προκαλέσει σοβαρό ή θανατηφόρο τραυματισμό.

Προοριζόμενη χρήση του μηχανήματος

1. Το μηχάνημα προορίζεται μόνο για τον ψεκασμό υγρών χημικών ουσιών και άλλων υγρών

για τον έλεγχο παράσιτων και ζιζανίων σε κήπους με φρούτα, λουλούδια και λαχανικά, σε δέντρα και θάμνους και σε άλλα φυτά, όπως καφέ, καπνό και βαμβάκι. Επίσης, είναι χρήσιμο για τη συντήρηση των νεαρών δέντρων για τον έλεγχο του σκολύτη και άλλων παράσιτων και ασθενειών φυτών. Μην το χρησιμοποιείτε ποτέ για οποιονδήποτε άλλο σκοπό.

Εκπαίδευση

1. Διαβάστε τις οδηγίες προσεκτικά. Εξοικειωθείτε με τα χειριστήρια και τη σωστή χρήση του μηχανήματος.
2. Μην επιτρέπετε ποτέ σε παιδιά, σε άτομα με μειωμένες σωματικές, αισθητήριες ή διανοητικές ικανότητες ή χωρίς πείρα και γνώσεις ή σε άτομα που δεν γνωρίζουν αυτές τις οδηγίες να χρησιμοποιούν αυτό το μηχάνημα. Ενδέχεται να υπάρχουν περιορισμοί ως προς την ηλικία του χειριστή ανάλογα με τους τοπικούς κανονισμούς.
3. Μην χρησιμοποιείτε ποτέ το μηχάνημα όταν άλλα άτομα, ιδιαίτερα παιδιά ή κατοικίδια, βρίσκονται σε κοντινή απόσταση.
4. Να θυμάστε ότι ο χειριστής ή ο χρήστης είναι υπεύθυνος για ατυχήματα ή κινδύνους που υφίστανται άλλα άτομα ή η ιδιοκτησία τους.

Προετοιμασία

1. Κατά τη λειτουργία του μηχανήματος, να φοράτε πάντα κατάλληλα υποδήματα και μακρύ παντελόνι.
2. Μη φοράτε φαρδιά ρούχα ή κοσμήματα που μπορούν να αναρροφηθούν στην είσοδο αέρα. Να διατηρείτε τα μακριά μαλλιά μακριά από τις εισόδους αέρα.
3. Για να αποφευχθεί ο ερεθισμός από τη σκόνη, συνιστάται να φοράτε μάσκα προσώπου.
4. Κατά τη λειτουργία του μηχανήματος, να φοράτε πάντα αντιολισθητικά και προστατευτικά υποδήματα. Οι αντιολισθητικές, κλειστές μπότες και παπούτσια ασφαλείας θα μειώσουν τον κίνδυνο τραυματισμού.
5. Όταν εργάζεστε με το μηχάνημα, να φοράτε πάντα γάντια και μπότες από καουτσούκ, τα οποία είναι ανθεκτικά στα χημικά.

Χειρισμό των χημικών

1. Μερικά χημικά μπορεί να περιέχουν τοξικές ή/και καυστικές ουσίες. Τέτοια χημικά μπορεί να είναι επικίνδυνα και να προκαλούν σοβαρό ή θανατηφόρο τραυματισμό σε άτομα και ζώα ή/και σοβαρή ζημιά σε φυτά και το περιβάλλον. Αποφύγετε την άμεση επαφή με χημικά. Ακολουθήστε τις οδηγίες του κατασκευαστή χημικού προϊόντος όσον αφορά οποιαδήποτε επαφή με το προϊόν του.
2. Διαβάστε την ετικέτα και το εγχειρίδιο οδηγιών του κατασκευαστή κάθε φορά πριν αναμίξετε ή χρησιμοποιήσετε τη χημική ουσία αλλά και πριν την αποθήκευσή ή διάθεσή. Η απρόσεκτη ή λανθασμένη χρήση μπορεί να προκαλέσει σοβαρό ή θανατηφόρο τραυματισμό.
3. Διαβάστε προσεκτικά τις ετικέτες στους περιέκτες των χημικών πριν από τη χρήση. Τα χημικά ταξινομούνται σε κατηγορίες τοξικότητας. Κάθε κατηγορία έχει μοναδικά

χαρακτηριστικά χειρισμού. Εξοικειωθείτε με τα χαρακτηριστικά για την κατηγορία της χημικής ένωσης που χρησιμοποιείτε. Τα χημικά μπορούν να χρησιμοποιηθούν μόνο από άτομα εκπαιδευμένα στον χειρισμό τους και τα κατάλληλα μέτρα πρώτων βοηθειών.

4. Τα χημικά μπορεί να είναι βλαβερά για άτομα, ζώα και το περιβάλλον, αν χρησιμοποιηθούν λανθασμένα. Συνιστάται να μην χρησιμοποιείτε με το μηχάνημα μερικά χημικά που είναι καυστικά, διαβρωτικά ή δηλητηριώδη.
5. Να αναμινγνύεται μόνο συμβατά παρασιποκτόνα. Τα λανθασμένα μείγματα μπορούν να παράγουν τοξικές αναθυμιάσεις. Όταν χειρίζεστε και ψεκάζετε χημικά, βεβαιωθείτε ότι ενεργείτε σύμφωνα με τους τοπικούς σας κανόνες και κατευθυντήριες οδηγίες για την προστασία του περιβάλλοντος. Μην ψεκάζετε όταν έχει άνεμο. Για να συμβάλλετε στην προστασία του περιβάλλοντος, να χρησιμοποιείτε μόνο τη συνιστώμενη δόση.
6. Αποφεύγετε να ανοίγετε το στόμα σας, όπως όταν τρώτε, πίνετε ή καπνίζετε, ενώ χειρίζεστε τα χημικά ή ενώ ψεκάζετε. Μην φυσάτε ποτέ με το στόμα σας μέσα στα ακροφύσια, τους σωλήνες, τους αγωγούς και οποιοδήποτε άλλο συστατικό μέρος. Να χειρίζεστε πάντα τα χημικά σε καλά αεριζόμενη περιοχή ενώ φοράτε κατάλληλο προστατευτικό ρουχισμό και εξοπλισμό ασφαλείας.
7. Μην αποθηκεύετε και μη μεταφέρετε χημικά μαζί με τρόφιμα, ποτά ή φάρμακα, και ποτέ μην επαναχρησιμοποιείτε έναν περιέκτη χημικών για οποιονδήποτε άλλο σκοπό. Μην μεταφέρετε τα υγρά χημικά σε άλλους περιέκτες, ειδικά περιέκτες τροφίμων ή/και ποτών.
8. Να διατηρείτε την ετικέτα του προϊόντος άμεσα διαθέσιμη για ανάγνωση ή να τη δείχνετε στα άτομα που συμβουλευέστε. Καθαρίστε αμέσως όλες τις χημικές εκχύσεις. Σε περίπτωση τυχούς επαφής ή κατάποσης των χημικών ή σε περίπτωση ρύπανσης του ρουχισμού, σταματήστε την εργασία και συμβουλευτείτε αμέσως τις οδηγίες του κατασκευαστή χημικού προϊόντος. Εάν έχετε αμφιβολίες σχετικά με τις ενέργειες που πρέπει να πάρετε, ρωτήστε αμέσως έναν γιατρό ή το κέντρο δηλητηριάσεων για συμβουλές.
9. Απορρίψτε τυχόν υπολείμματα σύμφωνα με τους νόμους και κανονισμούς της περιοχής κατοικίας σας.
10. Να διατηρείτε τα χημικά μακριά από παιδιά, άλλα μη εξουσιοδοτημένα άτομα και ζώα. Όταν δεν χρησιμοποιούνται, αποθηκεύστε τα χημικά σε ασφαλές και κλειδωμένο μέρος. Ακολουθήστε τις συστάσεις του κατασκευαστή για τη σωστή αποθήκευση.

Προετοιμασία χημικών

1. Προετοιμάστε τα χημικά διαλύματα σύμφωνα με τις οδηγίες του κατασκευαστή χημικού προϊόντος.
2. Προετοιμάστε ποσότητα διαλύματος αρκετή μόνο για την εργασία, ώστε να μην απομείνει διάλυμα.
3. Να αναμινγνύετε τα χημικά μόνο σύμφωνα με

τις ακόλουθες οδηγίες. Τα λανθασμένα μείγματα μπορούν να παράγουν τοξικές αναθυμιάσεις ή εκρηκτικά μείγματα.

4. Μην ψεκάζετε ποτέ αδιάλυτα χημικά.
5. Προετοιμάστε ένα διάλυμα και γεμίστε τον περιέκτη μόνο σε εξωτερικό χώρο, σε καλά αεριζόμενη περιοχή.

Αποθήκευση χημικών

1. Μην ψεκάζετε το διάλυμα ψεκασμού μέσα στον περιέκτη για περισσότερο από μία ημέρα.
2. Να αποθηκεύετε και να μεταφέρετε το διάλυμα ψεκασμού μόνο σε εγκεκριμένους περιέκτες.
3. Μην αποθηκεύετε και μη μεταφέρετε ποτέ το διάλυμα ψεκασμού σε περιέκτες που προορίζονται για τρόφιμα, ποτά ή ζωοτροφές.
4. Μην αποθηκεύετε και μη μεταφέρετε το διάλυμα ψεκασμού μαζί με τρόφιμα, ποτά ή ζωοτροφές.
5. Να διατηρείτε το διάλυμα ψεκασμού μακριά από παιδιά, άλλα μη εξουσιοδοτημένα άτομα και ζώα.
6. Να αποθηκεύετε το διάλυμα ψεκασμού σε ένα κλειδωμένο μέρος, ασφαλισμένο από μη εξουσιοδοτημένη χρήση.

Διάθεση των χημικών

1. Μην διαθέτετε ποτέ τα υπολειπόμενα χημικά ή τα ρυπασμένα διαλύματα έκπλυσης σε υδατορεύματα, αποχετεύσεις, υπονόμους, αυλάκια, φρεάτια ή παρόμοια.
2. Όταν διαθέτετε τα ρυπασμένα διαλύματα έκπλυσης, τηρήστε όλους τους ισχύοντες νόμους, κανονισμούς και διατάξεις.
3. Τηρήστε αυστηρά τις οδηγίες προφύλαξης του κατασκευαστή χημικού προϊόντος.

Γέμισμα της δεξαμενής

1. Βεβαιωθείτε ότι ο μοχλός αποστράγγισης και ο μοχλός ακροφυσίου είναι κλειστοί.
2. Πριν χρησιμοποιήσετε τον νεφελοψεκαστήρα με χημικά προϊόντα, γεμίστε τη δεξαμενή με φρέσκο νερό για να βεβαιωθείτε ότι την έχετε συναρμολογήσει σωστά και δοκιμάστε να ψεκάσετε. Επίσης, ελέγξτε και για τυχόν διαρροές. Όταν είστε πλήρως εξοικειωμένοι με τη λειτουργία του νεφελοψεκαστήρα, ακολουθήστε τις κανονικές διαδικασίες λειτουργίας.
3. Γεμίστε τη δεξαμενή σε καλά αεριζόμενες περιοχές ή σε εξωτερικό χώρο.
4. Μην χρησιμοποιείτε εύφλεκτα προϊόντα μέσα στον νεφελοψεκαστήρα, επειδή μπορεί να προκληθεί έκρηξη έχοντας ως αποτέλεσμα σοβαρό ή θανατηφόρο τραυματισμό.
5. Μην χρησιμοποιείτε καυστικά ή διαβρωτικά υλικά στον νεφελοψεκαστήρα, επειδή μπορεί να έχει ως αποτέλεσμα ζημιά στο μηχάνημα.
6. Μην χρησιμοποιείτε υγρό με θερμοκρασίες που ξεπερνούν τους 50°C (122°F), ώστε να μειωθεί ο κίνδυνος πρόκλησης εγκαυμάτων και ζημιάς στο μηχάνημα.
7. Για να γεμίσετε τη δεξαμενή, τοποθετήστε τον νεφελοψεκαστήρα σε επίπεδη επιφάνεια. Για να μειώσετε τον κίνδυνο ρύπανσης του γύρω περιβάλλοντος, προσέχετε να μην γεμίσετε υπερβολικά τη δεξαμενή με χημικό διάλυμα.

8. Για να μειώσετε τον κίνδυνο τραυματισμού, μην γεμίσετε τη δεξαμενή ενώ φοράτε το μηχάνημα στην πλάτη σας.
9. Εάν γεμίσετε τον περιέκτη διαλύματος με έναν εύκαμπτο σωλήνα συνδεδεμένο στην κεντρική παροχή νερού, φροντίστε το άκρο του εύκαμπτου σωλήνα να βρίσκεται εκτός του διαλύματος για να μειώσετε τον κίνδυνο ανάδρομης ροής.
10. Υπολογίστε τη σωστή ποσότητα χημικού διαλύματος, ώστε να καταναλωθεί με τη μία, χωρίς να παραμείνει πρόσθετο διάλυμα στη δεξαμενή.
11. Μετά το γέμισμα, σφίξτε καλά το καπάκι δεξαμενής.
12. Ελέγξτε για διαρροή κατά τον ανεφοδιασμό αλλά και κατά τη διάρκεια της λειτουργίας. Μια διαρροή από τη δεξαμενή ή χαλαρή ένωση μπορεί να διαβρέξει τα ρούχα σας και να έρθει σε επαφή με το δέρμα σας.
13. Γεμίστε τη δεξαμενή με υγρό ανάλογα με το μέγεθος του σώματος ή τη δύναμη του χειριστή.

Λειτουργία

1. Σβήστε το μηχάνημα, βγάλετε την κασέτα μπαταριών και βεβαιωθείτε ότι όλα τα κινούμενα μέρη έχουν ακινητοποιηθεί πλήρως
 - κάθε φορά που απομακρύνετε από το μηχάνημα.
 - πριν καθαρίσετε εμπλοκές.
 - πριν ελέγξετε ή καθαρίσετε το μηχάνημα ή πριν εκτελέσετε εργασίες σε αυτό.
 - αν το μηχάνημα αρχίσει να δονείται μη φυσιολογικά.
2. Να χειρίζεστε το μηχάνημα μόνο όταν έχει ακόμα φως έξω ή με καλό τεχνητό φωτισμό.
3. Μην τεντώνετε υπερβολικά και να διατηρείτε πάντα την ισορροπία και το πάτημά σας.
4. Να είστε πάντα βέβαιοι ότι έχετε καλό πάτημα σε πλαγιές.
5. Να περπατάτε, να μην τρέχετε ποτέ.
6. Να διατηρείτε καθαρές όλες τις εισόδους του αέρα ψύξης.
7. Ποτέ μην ψεκάζετε προς την κατεύθυνση των παρευρισκομένων.
8. Να χειρίζεστε το μηχάνημα από μια συνιστώμενη στάση και σε σταθερή επιφάνεια.
9. Μην θέτετε το μηχάνημα σε λειτουργία από ψηλά μέρη.
10. Μην στρέφετε ποτέ το ακροφύσιο προς άλλα κοντινά άτομα όταν χρησιμοποιείτε το μηχάνημα.
11. Μην φράξετε ποτέ την είσοδο αναρρόφησης ή/και την έξοδο νεφελωκαστήρα.
 - Προσέχετε να μην φράξετε την είσοδο αναρρόφησης ή την έξοδο νεφελωκαστήρα με σκόνη ή βρομιά όταν το χρησιμοποιείτε σε περιοχή με πολλή σκόνη.
 - Μην χρησιμοποιείτε ακροφύσια διαφορετικά από τα ακροφύσια που παρέχει η Makita.
12. Μην χειρίζεστε το μηχάνημα κοντά σε ανοιχτό παράθυρο, κτλ.
13. Συνιστάται η χρήση του μηχανήματος μόνο λογικές ώρες - όχι νωρίς το πρωί ή αργά τη νύχτα όταν οι άνθρωποι μπορεί να ενοχλούνται.
14. Αν το μηχάνημα χτυπήσει κάποιο ξένο αντικείμενο ή αρχίσει να παράγει ασυνήθιστο θόρυβο ή κραδασμούς, σβήστε αμέσως το μηχάνημα για να το σταματήσετε. Βγάλτε τις κασέτες μπαταριών από το μηχάνημα και επιθεωρήστε το μηχάνημα για ζημιά πριν εκκινήσετε ξανά και χειριστείτε το μηχάνημα. Αν το μηχάνημα έχει ζημιά, απευθυνθείτε σε εξουσιοδοτημένα κέντρα σέρβις της Makita για επισκευή.
15. Μην εισαγάγετε τα δάχτυλα ή άλλα αντικείμενα στην είσοδο αναρρόφησης ή στην έξοδο νεφελωκαστήρα.
16. Να αποφεύγετε την αθέλητη ενεργοποίηση του εργαλείου. Βεβαιωθείτε ότι ο διακόπτης βρίσκεται στην ανενεργή θέση πριν τοποθετήσετε τις κασέτες μπαταριών ή σηκώσετε ή μεταφέρετε το μηχάνημα. Αν μεταφέρετε το μηχάνημα με το δάχτυλό σας στο διακόπτη ή αν ενεργοποιήσετε τον ηλεκτρισμό προς το μηχάνημα όταν ο διακόπτης είναι στην ενεργή θέση, μπορεί να προκληθούν ατυχήματα.
17. Μην χειρίζεστε το μηχάνημα κοντά σε εύφλεκτα υλικά.
18. Αποφεύγετε τη λειτουργία του μηχανήματος για μεγάλο χρονικό διάστημα σε περιβάλλον με χαμηλή θερμοκρασία.
19. Μην χρησιμοποιείτε το μηχάνημα όταν υπάρχει κίνδυνος για κεραυνούς.
20. Όταν χρησιμοποιείτε το μηχάνημα σε λασπώδη έδαφος, βρεγμένες κλίσεις ή ολισθηρό μέρος, να προσέχετε το πάτημά σας.
21. Μην χρησιμοποιείτε το μηχάνημα σε άσχημες καιρικές συνθήκες, όταν η ορατότητα είναι περιορισμένη. Αν δεν τηρήσετε αυτή την προειδοποίηση, μπορεί να προκληθεί πτώση ή λανθασμένη λειτουργία λόγω χαμηλής ορατότητας.
22. Μην βυθίζετε το μηχάνημα σε λακούβα.
23. Μην αφήνετε το μηχάνημα χωρίς επιτήρηση σε εξωτερικούς χώρους στη βροχή.
24. Μην χρησιμοποιείτε το μηχάνημα στο χιόνι.
25. Κατά τη λειτουργία, κρατήστε το καλώδιο μακριά από εμπόδια. Το καλώδιο μπορεί να τυλιχτεί στα εμπόδια και να προκληθεί σοβαρός τραυματισμός.
26. Αποφεύγετε την εργασία σε θερμοκρασίες κατάψυξης, επειδή το υγρό στη δεξαμενή μπορεί να παγώσει.

Μετά τη λειτουργία

1. Να πλένετε πάντα τον εαυτό σας σχολαστικά με σαπούνι και νερό, μετά τον ψεκασμό ή τον χειρισμό χημικών. Κάντε αμέσως ντους και πλύντε όλο τον προστατευτικό ρουχισμό ξεχωριστά από άλλα αντικείμενα. Τηρήστε οποιεσδήποτε επιπρόσθετες συστάσεις του κατασκευαστή χημικού προϊόντος.
2. Αδειάστε, ξεπλύντε και καθαρίστε τη δεξαμενή και τον διηθητήρα μετά από κάθε χρήση. Αυτό βοηθάει ώστε να προλαμβάνεται η κρυσταλλοποίηση του διαλύματος, γεγονός που μπορεί αργότερα να προκαλέσει φράξιμο και

χημική ζημιά στο μηχάνημα. Επιπλέον, τα υπολείμματα χημικών μπορεί να έχουν ανεπιθύμητες επιδράσεις κατά τον επακόλουθο ψεκασμό με διαφορετικό τύπο χημικού (π.χ. το υπόλειμμα ζιζανιοκτόνο μπορεί να καταστρέψει ή να σκοτώσει φυτά που ψεκάζονται με παρασιτοκτόνο).

3. Μην αποθηκεύετε το μηχάνημα με διάλυμα ψεκασμού μέσα στη δεξαμενή.

Συντήρηση και αποθήκευση

1. Διατηρήστε όλα τα παζιμάδια, τα μπουλόνια και τις βίδες σφικτά για να εξασφαλίσετε ότι το μηχάνημα βρίσκεται σε ασφαλή κατάσταση λειτουργίας.
2. Αν τα μέρη είναι φθαρμένα ή κατεστραμμένα, αντικαταστήστε τα με μέρη που παρέχει η Makita.
3. Φυλάξτε το μηχάνημα σε ένα στεγνό μέρος μακριά από παιδιά.
4. Όταν διακόπτετε τη λειτουργία του μηχανήματος για επιθεώρηση, σέρβις, αποθήκευση ή αλλαγή εξαρτημάτων, σβήστε το μηχάνημα και βεβαιωθείτε ότι όλα τα κινούμενα μέρη είναι εντελώς ακινητοποιημένα, και βγάλτε τις κασέτες μπαταριών. Να αφήνετε τη θερμοκρασία του μηχανήματος να μειωθεί πριν εκτελέσετε οποιαδήποτε εργασία στο μηχάνημα. Να συντηρείτε το μηχάνημα με προσοχή και να το διατηρείτε καθαρό.
5. Πάντα να αφήνετε το μηχάνημα να κρυώσει πριν την αποθήκευση.
6. Μην εκθέτετε το μηχάνημα στη βροχή. Να αποθηκεύετε το μηχάνημα σε εσωτερικό χώρο.
7. Όταν σηκώνετε το μηχάνημα, φροντίστε να λυγίζετε τα γόνατά σας και προσέξτε να μην χτυπήσετε την πλάτη σας.
8. Όταν πλένετε το μηχάνημα, μην αφήνετε το νερό να εισέλθει στον ηλεκτρικό μηχανισμό, όπως η μπαταρία, το μοτέρ και τους πόλους.
9. Όταν αποθηκεύετε το μηχάνημα, να αποφεύγετε την άμεση ηλιοβολή και τη βροχή, και να το αποθηκεύσετε σε ένα μέρος όπου δεν υπάρχει πολύ ζέση και υγρασία.
10. Όταν μεταφέρετε το μηχάνημα, βεβαιωθείτε να κρατάτε το μηχάνημα σταθερά.
11. Όταν μεταφέρετε το μηχάνημα, προσέχετε να μην πιαστεί το καλώδιο σε εμπόδια.

Χρήση και φροντίδα μπαταριών

1. Να επαναφορτίζετε τις μπαταρίες μόνο με το φορτιστή που καθορίζεται από τον κατασκευαστή. Ένας φορτιστής που είναι κατάλληλος για μια συγκεκριμένη μπαταρία μπορεί να δημιουργήσει κίνδυνο πυρκαγιάς όταν χρησιμοποιείται με μια άλλη μπαταρία.
2. Να χρησιμοποιείτε ηλεκτρικά εργαλεία μόνο με ειδικά καθορισμένες μπαταρίες. Η χρήση κάθε άλλης μπαταρίας μπορεί να δημιουργήσει κίνδυνο τραυματισμού ή πυρκαγιάς.
3. Όταν δεν χρησιμοποιείται η κασέτα μπαταριών, διατηρήστε τη μακριά από άλλα μεταλλικά αντικείμενα, όπως συνδετήρες, κέρματα, κλειδιά, καρφιά, βίδες ή άλλα μικρά μεταλλικά αντικείμενα, με τα οποία μπορεί να δημιουργηθεί σύνδεση από τον έναν ακροδέκτη στον

άλλον. Το βραχυκύκλωμα των ακροδεκτών της μπαταρίας μπορεί να προκαλέσει εγκαύματα ή πυρκαγιά.

4. Υπό συνθήκες κατάχρησης, μπορεί να εξαχθεί υγρό από την μπαταρία. Να αποφεύγετε την επαφή. Εάν συμβεί επαφή κατά λάθος, εκπλύνετε με νερό. Εάν το υγρό έρθει σε επαφή με τα μάτια, αναζητήστε και ιατρική βοήθεια. Το υγρό που εξάγεται από την μπαταρία μπορεί να προκαλέσει ερεθισμό ή εγκαύματα.
5. Μη χρησιμοποιείτε μια κασέτα μπαταριών ή εργαλείο που έχει καταστραφεί ή τροποποιηθεί. Οι κατεστραμμένες ή τροποποιημένες μπαταρίες μπορεί να παρουσιάζουν απρόβλεπτη συμπεριφορά που έχει ως αποτέλεσμα πυρκαγιά, έκρηξη ή κίνδυνο τραυματισμού.
6. Μην εκθέτετε την κασέτα μπαταριών ή το εργαλείο σε πυρκαγιά ή υπερβολικά υψηλή θερμοκρασία. Η έκθεση στην πυρκαγιά ή στη θερμοκρασία άνω των 130 °C μπορεί να προκαλέσει έκρηξη.
7. Ακολουθήστε όλες τις οδηγίες φόρτισης και μην φορτίζετε την κασέτα μπαταριών ή το εργαλείο εκτός του θερμοκρασιακού εύρους που καθορίζεται στις οδηγίες. Η λανθασμένη φόρτιση ή η φόρτιση σε θερμοκρασίες εκτός του καθορισμένου εύρους μπορεί να προκαλέσει ζημιά στην μπαταρία και να αυξήσει τον κίνδυνο πυρκαγιάς.

Ηλεκτρική ασφάλεια και ασφάλεια μπαταρίας

1. Μη απορρίπτετε την μπαταρία(ίες) στη φωτιά. Το καί μπορεί να εκραγεί. Συμβουλευτείτε τους τοπικούς κώδικες για πιθανές ειδικές οδηγίες απόρριψης.
2. Μη απορρίπτετε και μην καταστρέψετε την μπαταρία(ίες). Ο ηλεκτρολύτης που εκλύεται είναι διαβρωτικός και μπορεί να προκαλέσει ζημιά στα μάτια ή στο δέρμα. Σε περίπτωση κατάποσης, μπορεί να είναι τοξικό.
3. Μη φορτίζετε την μπαταρία στη βροχή, αλλά ούτε σε υγρές τοποθεσίες.
4. Μην φορτίζετε τη μπαταρία σε εξωτερικό χώρο.
5. Μην χειρίζεστε τον φορτιστή, συμπεριλαμβανομένου του φινιρίσματος, και τους ακροδέκτες φορτιστή με βρεγμένα χέρια.
6. Μην αλλάζετε την μπαταρία με βρεγμένα χέρια.
7. Μην αλλάζετε την μπαταρία στη βροχή.
8. Μην βρέχετε τον πόλο της μπαταρίας με υγρό, όπως το νερό, και μη βυθίζετε την μπαταρία σε υγρό. Μην αφήνετε την μπαταρία στη βροχή, και μην φορτίζετε, χρησιμοποιείτε ή αποθηκεύετε την μπαταρία σε υγρό ή βρεγμένο μέρος. Αν ο πόλος βρεχτεί ή εισέλθει υγρό στο εσωτερικό της μπαταρίας, η μπαταρία μπορεί να βραχυκυκλώσει και να υπάρχει κίνδυνος υπερθέρμανσης, πυρκαγιάς ή έκρηξης.
9. Αφού αφαιρέσετε την μπαταρία από το μηχάνημα ή τον φορτιστή, φροντίστε να την αποθηκεύσετε σε στεγνό μέρος.
10. Αν η κασέτα μπαταριών βραχεί, αποστραγγίστε το νερό από το εσωτερικό και μετά σκουπίστε την με ένα στεγνό πανί. Στεγνώστε την κασέτα μπαταριών εντελώς σε ένα στεγνό

μέρος πριν τη χρησιμοποιήσετε.

Σέρβις

1. Να φροντίζετε το σέρβις του ηλεκτρικού εργαλείου σας να γίνεται από αρμόδιο επαγγελματία χρησιμοποιώντας μόνο γνήσια ανταλλακτικά. Έτσι θα είστε σίγουροι για τη διατήρηση της ασφάλειας του ηλεκτρικού εργαλείου.
2. Μην εκτελείτε ποτέ εργασίες σέρβις σε κατεστραμμένες κασέτες μπαταριών. Οι εργασίες σέρβις των κασετών μπαταριών θα πρέπει να εκτελούνται μόνο από τον κατασκευαστή ή από εξουσιοδοτημένους παρόχους σέρβις.

ΦΥΛΑΞΤΕ ΤΙΣ ΟΔΗΓΙΕΣ ΑΥΤΕΣ.

▲ ΠΡΟΕΙΔΟΠΟΙΗΣΗ: ΜΗΝ επιτρέψετε στην άνεση ή στην εξοικειωσή σας με το προϊόν (που αποκτήθηκε από επανειλημμένη χρήση) να αντικαταστήσει την αυστηρή τήρηση των κανόνων ασφαλείας του παρόντος εργαλείου.

Η ΛΑΝΘΑΣΜΕΝΗ ΧΡΗΣΗ ή η αμέλεια να ακολουθήσετε τους κανόνες ασφαλείας που διατυπώνονται στο παρόν εγχειρίδιο οδηγιών μπορεί να προκαλέσει σοβαρό προσωπικό τραυματισμό.

Σημαντικές οδηγίες ασφαλείας για κασέτα μπαταριών

1. Πριν χρησιμοποιήσετε την κασέτα μπαταριών, διαβάστε όλες τις οδηγίες και σημειώσεις προφύλαξης (1) στον φορτιστή μπαταριών, (2) στην μπαταρία και (3) στο προϊόν που χρησιμοποιεί την μπαταρία.
2. Μην αποσυναρμολογήσετε ή παραβιάσετε την κασέτα μπαταριών. Μπορεί να έχει ως αποτέλεσμα πυρκαγιά, υπερθέρμανση ή έκρηξη.
3. Εάν ο χρόνος λειτουργίας έχει γίνει υπερβολικά βραχύς, σταματήστε τη λειτουργία αμέσως. Αλλιώς, μπορεί να έχει ως αποτέλεσμα κίνδυνο υπερθέρμανσης, πιθανά εγκαύματα ή ακόμη και έκρηξη.
4. Εάν ηλεκτρολύτης μπει στα μάτια σας, ξεπλύνετε τα με καθαρό νερό και ζητήστε ιατρική φροντίδα αμέσως. Αλλιώς, μπορεί να έχει ως αποτέλεσμα απώλεια της όρασης σας.
5. Μην βραχυκυκλώνετε την κασέτα μπαταριών:
 - (1) Μην αγγίζετε τους πόλους με οτιδήποτε αγώγιμο υλικό.
 - (2) Αποφεύγετε να αποθηκεύετε την κασέτα μπαταριών μέσα σε ένα δοχείο μαζί με άλλα μεταλλικά αντικείμενα όπως καρφιά, νομίσματα, κλπ.
 - (3) Μην εκθέτετε την κασέτα μπαταριών στο νερό ή στη βροχή.Ένα βροχικό κλώμα μπαταρίας μπορεί να προκαλέσει μεγάλη ροή ρεύματος, υπερθέρμανση, πιθανά εγκαύματα ακόμη και σοβαρή βλάβη.
6. Μην αποθηκεύετε και μην χρησιμοποιείτε το εργαλείο και την κασέτα μπαταριών σε τοποθεσίες όπου η θερμοκρασία μπορεί να φτάσει ή να ξεπεράσει τους 50 °C.
7. Μην καίτε την κασέτα μπαταριών ακόμη και εάν έχει σοβαρή ζημιά ή είναι εντελώς

φθαρμένη. Η κασέτα μπαταριών μπορεί να εκραγεί στη φωτιά.

8. Μην καρφώσετε, κόψετε, συνθλίψετε, πετάξετε ή ρίξετε κάτω την κασέτα μπαταριών, ούτε να χτυπήσετε ένα σκληρό αντικείμενο επάνω στην κασέτα μπαταριών. Τέτοια συμπεριφορά μπορεί να έχει ως αποτέλεσμα πυρκαγιά, υπερθέρμανση ή έκρηξη.
9. Μην χρησιμοποιείτε μπαταρία που έχει υποστεί ζημιά.
10. Οι μπαταρίες ιόντων λιθίου που περιέχονται υπόκεινται στις απαιτήσεις της νομοθεσίας για επικίνδυνα αγαθά.

Για εμπορικές μεταφορές, για παράδειγμα από τρίτα μέρη, πρέπει να τηρούνται οι διαεταφορείς, οι ειδικές απαιτήσεις στη συσκευασία και η επισήμανση.

Για προτοιμασία του στοιχείου που αποστέλλεται, είναι απαραίτητο να συμβουλευτείτε έναν ειδικό για επικίνδυνα υλικά. Επίσης, τηρήστε τους πιθανούς, πιο αναλυτικούς εθνικούς κανονισμούς. Καλύψτε με αυτοκόλλητη ταινία ή κρύψτε τις ανοικτές επαφές και συσκευάστε την μπαταρία με τρόπο που να μην μπορεί να μετακινείται μέσα στη συσκευασία.
11. Όταν απορρίπτετε την κασέτα μπαταριών, αφαιρέστε την από το εργαλείο και διαθέστε την σε ένα ασφαλές μέρος. Τηρήστε τους τοπικούς κανονισμούς που σχετίζονται με τη διάθεση της μπαταρίας.
12. Χρησιμοποιήστε τις μπαταρίες μόνο με τα προϊόντα που καθορίζει η Makita. Αν τοποθετήσετε τις μπαταρίες σε μη συμβατά προϊόντα μπορεί να έχει ως αποτέλεσμα πυρκαγιά, υπερβολική θερμότητα, έκρηξη ή διαρροή ηλεκτρολύτη.
13. Αν δεν χρησιμοποιείτε το εργαλείο για μεγάλο χρονικό διάστημα, πρέπει να βγάλετε την μπαταρία από το εργαλείο.
14. Κατά τη διάρκεια και μετά τη χρήση, η κασέτα μπαταριών μπορεί να θερμανθεί, γεγονός που μπορεί να προκαλέσει εγκαύματα ή εγκαύματα από χαμηλή θερμοκρασία. Προσέχετε το χειρισμό των ζεστών κασετών μπαταριών.
15. Μην αγγίζετε τον ακροδέκτη του εργαλείου αμέσως μετά τη χρήση επειδή μπορεί να έχει ζεσταθεί αρκετά για να προκαλέσει εγκαύματα.
16. Μην αφήνετε θραύσματα, σκόνη ή βρομιά να κολλήσει στους ακροδέκτες, τις οπές και τις εγκοπές της κασέτας μπαταριών. Μπορεί να προκαλέσει θέρμανση, φωτιά, έκρηξη και δυσλειτουργία του εργαλείου ή της κασέτας μπαταριών, έχοντας ως αποτέλεσμα εγκαύματα ή προσωπικό τραυματισμό.
17. Εκτός αν το εργαλείο υποστηρίζει τη χρήση κοντά σε ηλεκτρικές γραμμές υψηλής τάσης, μην χρησιμοποιείτε την κασέτα μπαταριών κοντά σε ηλεκτρικές γραμμές υψηλής τάσης. Μπορεί να έχει ως αποτέλεσμα δυσλειτουργία ή στάσιμο του εργαλείου ή της κασέτας μπαταριών.
18. ΚρΦυλάξτε την μπαταρία μακριά από παιδιά.

ΦΥΛΑΞΤΕ ΤΙΣ ΟΔΗΓΙΕΣ ΑΥΤΕΣ.

⚠ ΠΡΟΣΟΧΗ: Να χρησιμοποιείτε μόνο γνήσιες μπαταρίες της Makita. Η χρήση μη γνήσιων μπαταριών Makita, ή μπαταριών που έχουν τροποποιηθεί, μπορεί να έχει ως αποτέλεσμα τη ρήξη της μπαταρίας, προκαλώντας πυρκαγιά, προσωπικό τραυματισμό και βλάβη. Επίσης, θα ακυρωθεί η εγγύηση της Makita για το εργαλείο και φορτιστή Makita.

Συμβουλές για τη διατήρηση της μέγιστης ζωής μπαταρίας

1. Φορτίζετε την κασέτα μπαταριών πριν από την πλήρη αποφόρτιση της. Πάντοτε να σταματάτε τη λειτουργία του εργαλείου και να φορτίζετε την κασέτα μπαταριών όταν παρατηρείτε μειωμένη ισχύ εργαλείου.
2. Ποτέ μην επαναφορτίζετε μια πλήρως φορτισμένη κασέτα μπαταριών. Η υπερφόρτιση μειώνει την ωφέλιμη ζωή της μπαταρίας.
3. Να φορτίζετε την κασέτα μπαταριών σε θερμοκρασία δωματίου, δηλαδή στους 10 °C έως 40 °C. Αφήστε μια θερμή κασέτα μπαταριών να κρυώσει πριν την φορτίσετε.
4. Όταν δεν χρησιμοποιείτε την κασέτα μπαταριών, αφαιρέστε την από το εργαλείο ή τον φορτιστή.
5. Να φορτίζετε την κασέτα μπαταριών εάν δεν τη χρησιμοποιείτε για μεγάλη χρονική περίοδο (περισσότερο από έξι μήνες).

ΣΥΝΑΡΜΟΛΟΓΗΣΗ

⚠ ΠΡΟΣΟΧΗ: Να βεβαιώνεστε πάντα ότι έχετε βγάλει όλες τις κασέτες μπαταριών πριν πραγματοποιείτε οποιαδήποτε εργασία στο μηχανήμα. Αν δεν βγάλετε όλες τις κασέτες μπαταριών, μπορεί να έχει ως αποτέλεσμα σοβαρό προσωπικό τραυματισμό από τυχαία εκκίνηση.

Συναρμολόγηση των σωλήνων φυσητήρα

1. Χαλαρώστε τη βίδα σύσφιξης.
▶ **Εικ.2:** 1. Βίδα σύσφιξης
2. Τοποθετήστε τη λαβή ελέγχου στον στρεπτό σωλήνα και σφίξτε τη βίδα σύσφιξης. Φροντίστε να μην τοποθετήσετε τη λαβή ελέγχου μπροστά πέρα από τις ενδείξεις βελών.
▶ **Εικ.3:** 1. Λαβή ελέγχου 2. Στρεπτός σωλήνας 3. Βίδα σύσφιξης 4. Σημάδια βελών

ΕΙΔΟΠΟΙΗΣΗ: Προσέχετε να μην στρέψετε το καλώδιο της λαβής ελέγχου όταν προσαρτάτε τη λαβή ελέγχου στον στρεπτό σωλήνα.

3. Χαλαρώστε τη βίδα στον σφιγκτήρα σωλήνα και μετά προσαρτήστε τον σφιγκτήρα σωλήνα στο ακροφύσιο άκρου. Ευθυγραμμίστε τις εγκοπές στο ακροφύσιο άκρου με τις προεξοχές στον στρεπτό σωλήνα, μετά προσαρτήστε το ακροφύσιο άκρου στον στρεπτό σωλήνα και μετά σφίξτε τη βίδα στον σφιγκτήρα σωλήνα.

- ▶ **Εικ.4:** 1. Ακροφύσιο άκρου 2. Σφιγκτήρας σωλήνα 3. Στρεπτός σωλήνας 4. Εγκοπή 5. Προεξοχή 6. Βίδα

4. Χαλαρώστε τη βίδα στον σφιγκτήρα σωλήνα, μετά προσαρτήστε τον μοχλό ακροφυσίου στον σφιγκτήρα σωλήνα και μετά προσαρτήστε τον σφιγκτήρα σωλήνα στον ευέλικτο σωλήνα. Προσαρτήστε τον στρεπτό σωλήνα στον ευέλικτο σωλήνα και μετά σφίξτε τη βίδα στον σφιγκτήρα σωλήνα.

- ▶ **Εικ.5:** 1. Στρεπτός σωλήνας 2. Μοχλός ακροφυσίου 3. Σφιγκτήρας σωλήνα 4. Εύκαμπτος σωλήνας 5. Βίδα

5. Χαλαρώστε τη βίδα στον σφιγκτήρα σωλήνα και, στη συνέχεια, προσαρτήστε τον σφιγκτήρα σωλήνα στον εύκαμπτο σωλήνα. Προσαρτήστε τον εύκαμπτο σωλήνα στη γωνία και, στη συνέχεια, σφίξτε τη βίδα στον σφιγκτήρα σωλήνα.

- ▶ **Εικ.6:** 1. Εύκαμπτος σωλήνας 2. Σφιγκτήρας σωλήνα 3. Γωνία

ΕΙΔΟΠΟΙΗΣΗ: Βεβαιωθείτε ότι η βίδα στον σφιγκτήρα σωλήνα δεν είναι στραμμένη προς τα έξω, όπως απεικονίζεται στην εικόνα.

- ▶ **Εικ.7:** 1. Βίδα

6. Συσφίξτε το καλώδιο ελέγχου με τους υποδοχείς σωλήνων.

- ▶ **Εικ.8:** 1. Υποδοχείς καλωδίου 2. Καλώδιο χειρισμού

ΕΙΔΟΠΟΙΗΣΗ: Βεβαιωθείτε ότι το καλώδιο ελέγχου είναι καλά στερεωμένο με τον υποδοχέα καλωδίου.

Ρύθμιση της ζώνης και του ιμάντα ώμου

1. Φορέστε το μηχανήμα, ασφαλίστε την πόρπη της ζώνης μέσης και μετά ρυθμίστε το μήκος της ζώνης μέσης.

- ▶ **Εικ.9:** 1. Πόρπη

2. Ρυθμίστε το μήκος του ιμάντα ώμου.

- ▶ **Εικ.10:** 1. Ιμάντας ώμου

Ρύθμιση της θέσης του μοχλού τσοκ

Χαλαρώστε τη βίδα σύσφιξης. Μετακινήστε τη λαβή ελέγχου κατά μήκος του στρεπτού σωλήνα στην πιο άνετη θέση και, στη συνέχεια, σφίξτε τη βίδα σύσφιξης. Μην μετακινείτε τη λαβή πέρα από τις ενδείξεις βελών.

- ▶ **Εικ.11:** 1. Λαβή ελέγχου 2. Στρεπτός σωλήνας 3. Βίδα σύσφιξης 4. Σημάδια βελών

Προσάρτηση του καλύμματος διάχυσης

Μπορείτε να διαχύσετε το νεφέλωμα προσαρτώντας το κάλυμμα διάχυσης στο ακροφύσιο άκρου όπως απεικονίζεται στην εικόνα.

- ▶ **Εικ.12:** 1. Κάλυμμα διάχυσης

Προσάρτηση του εκτροπέα

Προαιρετικό εξάρτημα

Μπορείτε να εκκενώσετε το νεφέλωμα προς τα πάνω ή προς τα κάτω προσαρτώντας τον εκτροπέα στο ακροφύσιο άκρου όπως απεικονίζεται στην εικόνα.

► **Εικ.13:** 1. Εκτροπέας

ΠΕΡΙΓΡΑΦΗ ΛΕΙΤΟΥΡΓΙΑΣ

▲ ΠΡΟΣΟΧΗ: Να φροντίζετε πάντα για την απενεργοποίηση του μηχανήματος και την αφαίρεση όλων των κασετών μπαταριών, πριν από οποιαδήποτε ρύθμιση ή έλεγχο της λειτουργίας του μηχανήματος.

Τοποθέτηση ή αφαίρεση της κασέτας μπαταριών

▲ ΠΡΟΣΟΧΗ: Να σβήνετε πάντα το μηχάνημα πριν τοποθετήσετε ή αφαιρέσετε την κασέτα μπαταριών.

▲ ΠΡΟΣΟΧΗ: Κρατήστε το μηχάνημα και την κασέτα μπαταριών σταθερά κατά την τοποθέτηση ή την αφαίρεση της κασέτας μπαταριών. Αν δεν κρατάτε σταθερά το μηχάνημα και την κασέτα μπαταριών, μπορεί να γλιστρήσουν από τα χέρια σας και να προκληθεί ζημιά στο μηχάνημα και την κασέτα μπαταριών και τραυματισμός.

▲ ΠΡΟΣΟΧΗ: Βεβαιωθείτε να ασφαλίσετε το κάλυμμα μπαταριών πριν από τη χρήση. Διαφορετικά, η λάσπη, η σκόνη ή το νερό μπορεί να προκαλέσουν ζημιά στο προϊόν ή στην κασέτα μπαταριών.

▲ ΠΡΟΣΟΧΗ: Να τοποθετείτε πάντα την κασέτα μπαταριών πλήρως μέχρι να μην βλέπετε την κόκκινη ένδειξη. Σε αντίθετη περίπτωση, μπορεί να πέσει κατά λάθος από το μηχάνημα και να τραυματίσει εσάς ή κάποιον παρευρισκόμενο.

▲ ΠΡΟΣΟΧΗ: Μην τοποθετείτε την κασέτα μπαταριών με βία. Αν η κασέτα δεν εισέρχεται με ευκολία, δεν είναι τοποθετημένη σωστά.

▲ ΠΡΟΣΟΧΗ: Κρατήστε το κάλυμμα μπαταριών σταθερά κατά την τοποθέτηση ή αφαίρεση της κασέτας μπαταριών.

Για να τοποθετήσετε την κασέτα μπαταριών:

1. Τραβήξτε τον μοχλό ασφάλισης προς τα πάνω και μετά ανοίξτε το κάλυμμα μπαταριών.

► **Εικ.14:** 1. Μοχλός ασφάλισης 2. Κάλυμμα μπαταριών

2. Ευθυγραμμίστε τη γλωττίδα της κασέτας μπαταριών με τη σχισμή στο μηχάνημα, και μετά σύρετε την κασέτα μέχρι να ασφαλίσει στη θέση της με ένα χαρακτηριστικό ήχο.

► **Εικ.15:** 1. Κασέτα μπαταριών

3. Κλείστε το κάλυμμα μπαταριών και ωθήστε το μέχρι να ασφαλίσει με το μοχλό ασφάλισης.

Για να αφαιρέσετε την κασέτα μπαταριών:

1. Τραβήξτε το μοχλό ασφάλισης προς τα πάνω και ανοίξτε το κάλυμμα μπαταριών.

2. Τραβήξτε έξω την κασέτα μπαταριών από το μηχάνημα ενώ σύρετε το κουμπί στο μπροστινό μέρος της κασέτας.







► **Εικ.16:** 1. Κασέτα μπαταριών

3. Κλείστε το κάλυμμα μπαταριών.

Κουμπί ελέγχου μπαταρίας

Μπορείτε να ελέγχετε την υπολειπόμενη χωρητικότητα μπαταρίας εάν πατήσετε το κουμπί ελέγχου μπαταρίας.

► **Εικ.17:** 1. Ένδειξη μπαταρίας 2. Κουμπί ελέγχου μπαταρίας

Κατάσταση ένδειξης μπαταρίας			Υπολειπόμενη χωρητικότητα μπαταρίας
 Αναμμένες	 Σβηστές	 Αναβο-σβήνουν	
			50% έως 100%
			20% έως 50%
			0% έως 20%

ΠΑΡΑΤΗΡΗΣΗ: Η ενδεικτική λυχνία για την υπολειπόμενη χωρητικότητα μπαταρίας προορίζεται μόνο για αναφορά. Η πραγματική χωρητικότητα μπαταρίας μπορεί να διαφέρει ανάλογα με τις συνθήκες χρήσης ή τη θερμοκρασία περιβάλλοντος.

ΠΑΡΑΤΗΡΗΣΗ: Όταν το μηχάνημα βρίσκεται σε λειτουργία, η ενδεικτική λυχνία δεν ανάβει ακόμη κι αν πατήσετε το κουμπί ελέγχου.

ΠΑΡΑΤΗΡΗΣΗ: Η λυχνία σβήνει αυτόματα μετά από λίγα δευτερόλεπτα.

ΠΑΡΑΤΗΡΗΣΗ: Εάν είναι τοποθετημένες δύο κασέτες μπαταριών, η μπαταρία που είναι τοποθετημένη στη δεξιά πλευρά θα χρησιμοποιηθεί πρώτα.

ΠΑΡΑΤΗΡΗΣΗ: Εάν είναι τοποθετημένες δύο κασέτες μπαταριών, το μηχάνημα αλλάζει αυτόματα μπαταρία όταν η μπαταρία που χρησιμοποιείται αδειάσει.

Εμφάνιση υπολειπόμενης χωρητικότητας μπαταρίας

Πιέστε το κουμπί ελέγχου στην κασέτα μπαταριών για να υποδείξετε την υπολειπόμενη χωρητικότητα μπαταρίας. Οι ενδεικτικές λυχνίες ανάβουν για λίγα δευτερόλεπτα.

► **Εικ.18:** 1. Ενδεικτικές λυχνίες 2. Κουμπί ελέγχου

Ενδεικτικές λυχνίες			Υπολει- πόμενη χωρητικότητα
Αναμμένες	Σβηστές	Αναβο- σβήνουν	
■	□	▧	75% έως 100%
■ ■ ■ ■	□ □ □ □	▧ ▧ ▧ ▧	
■ ■ ■ ■	□ □ □ □	▧ ▧ ▧ ▧	50% έως 75%
■ ■ ■ ■	□ □ □ □	▧ ▧ ▧ ▧	25% έως 50%
■ ■ ■ ■	□ □ □ □	▧ ▧ ▧ ▧	0% έως 25%
▧ ▧ ▧ ▧	□ □ □ □	▧ ▧ ▧ ▧	Φορτίστε την μπαταρία.
■ ■ ■ ■	□ □ □ □	▧ ▧ ▧ ▧	Μπορεί να προέκυψε δυσλειτουργ- γία στην μπαταρία.
□ □ □ □	■ ■ ■ ■	▧ ▧ ▧ ▧	

ΠΑΡΑΤΗΡΗΣΗ: Ανάλογα με τις συνθήκες χρήσης και τη θερμοκρασία περιβάλλοντος, η ένδειξη μπορεί να διαφέρει λίγο από την πραγματική χωρητικότητα.

ΠΑΡΑΤΗΡΗΣΗ: Η πρώτη (τέρμα αριστερά) ενδεικτική λυχνία θα αναβοσβήνει όταν λειτουργεί το σύστημα προστασίας μπαταρίας.

Σύστημα προστασίας μηχανήματος/ μπαταρίας

Το μηχανήμα είναι εξοπλισμένο με ένα σύστημα προστασίας μηχανήματος/μπαταρίας. Αυτό το σύστημα αποκόπτει αυτόματα την ισχύ προς το μοτέρ για να παραταθεί η διάρκεια ζωής του μηχανήματος και της μπαταρίας. Το μηχανήμα σταματάει αυτόματα κατά τη διάρκεια της λειτουργίας αν το μηχανήμα ή η μπαταρία βρεθούν κάτω από τις παρακάτω συνθήκες:

Προστασία υπερφόρτωσης

Όταν το μηχανήμα ή η μπαταρία λειτουργεί με τρόπο που προκαλεί την κατανάλωση ασυνήθιστα υψηλού ηλεκτρικού ρεύματος, το μηχανήμα σταματάει αυτόματα και η λυχνία κύριας λειτουργίας αναβοσβήνει με πράσινο χρώμα. Σε αυτή την κατάσταση, απενεργοποιήστε το μηχανήμα και διακόψτε την εφαρμογή που προκαλεί την υπερφόρτωση του μηχανήματος. Μετά, ενεργοποιήστε το μηχανήμα για επανεκκίνηση.

Προστασία υπερθέρμανσης

Όταν το μηχανήμα υπερθερμανθεί, το μηχανήμα σταματάει αυτόματα και η λυχνία κύριας λειτουργίας ανάβει με κόκκινο χρώμα. Σε αυτή την περίπτωση, αφήστε το μηχανήμα και την μπαταρία να κρυώσουν πριν ενεργοποιήσετε ξανά το μηχανήμα.

ΠΑΡΑΤΗΡΗΣΗ: Η λυχνία κύριας λειτουργίας αναβοσβήνει με κόκκινο χρώμα όταν η μπαταρία υπερθερμανθεί.

Προστασία υπερβολικής αποφόρτισης

Όταν η χωρητικότητα μπαταρίας δεν είναι αρκετή, το μηχανήμα σταματάει αυτόματα και η λυχνία κύριας λειτουργίας αναβοσβήνει με κόκκινο χρώμα. Σε αυτή την περίπτωση, βγάλτε την μπαταρία από το μηχανήμα και φορτίστε την μπαταρία ή αλλάξτε την μπαταρία με μια πλήρως φορτισμένη.

Προστασία και από άλλες αιτίες

Το σύστημα προστασίας έχει επίσης σχεδιαστεί για άλλες αιτίες που μπορούν να προκαλέσουν ζημιά στο μηχανήμα και επιτρέπει την αυτόματη διακοπή του μηχανήματος. Λάβετε όλα τα ακόλουθα βήματα για να διορθώσετε τις αιτίες, όταν το μηχανήμα τεθεί σε προσωρινή διακοπή ή διακοπή κατά τη διάρκεια της λειτουργίας.

1. Απενεργοποιήστε το μηχανήμα και, στη συνέχεια, ενεργοποιήστε το ξανά για να επανεκκινήση.
2. Φορτίστε την μπαταρία ή τις μπαταρίες ή αντικαταστήστε τις με επαναφορτιζόμενες μπαταρίες.
3. Αφήστε το μηχανήμα και τις μπαταρίες να ψυχθούν.

Εάν δεν υπάρχει βελτίωση με την επαναφορά του συστήματος προστασίας, επικοινωνήστε με το τοπικό σας κέντρο εξυπηρέτησης της Makita.

ΕΙΔΟΠΟΙΗΣΗ: Αν το μηχανήμα σταματήσει λόγω μιας αιτίας που δεν περιγράφεται ανωτέρω, ανατρέξτε στην ενότητα για την επίλυση προβλημάτων.

Διακόπτης κύριας λειτουργίας

▲ΠΡΟΕΙΔΟΠΟΙΗΣΗ: Να απενεργοποιείτε πάντα το διακόπτη κύριας λειτουργίας όταν δεν χρησιμοποιείτε το εργαλείο.

Για να ενεργοποιήσετε το μηχανήμα, πατήστε το διακόπτη κύριας λειτουργίας. Οι λυχνίες ανάβουν με πράσινο χρώμα. Για απενεργοποίηση, πατήστε παρατεταμένα τον διακόπτη κύριας λειτουργίας μέχρι οι λυχνίες να σβήσουν.

► **Εικ. 19:** 1. Ένδειξη ταχύτητας 2. Διακόπτης κύριας λειτουργίας

Η ταχύτητα μπορεί να αλλάξει σε τρία επίπεδα. Για να αλλάξετε τον τρόπο λειτουργίας ταχύτητας, πατήστε τον διακόπτη κύριας λειτουργίας. Όταν αλλάξετε τον τρόπο λειτουργίας ταχύτητας, οι αντίστοιχες ενδείξεις ταχύτητας ανάβουν.

ΠΑΡΑΤΗΡΗΣΗ: Το μηχανήμα χρησιμοποιεί τη λειτουργία αυτόματης απενεργοποίησης. Για να αποφευχθεί η αθέλητη εκκίνηση, ο διακόπτης κύριας λειτουργίας κλείνει αυτόματα όταν το μηχανήμα δεν λειτουργεί για κάποια καθορισμένη περίοδο μετά την ενεργοποίηση του διακόπτη κύριας λειτουργίας.

ΠΑΡΑΤΗΡΗΣΗ: Αν η λυχνία κύριας λειτουργίας ανάβει με κόκκινο χρώμα ή αναβοσβήνει με κόκκινο ή πράσινο χρώμα, ανατρέξτε στις οδηγίες για το σύστημα προστασίας μηχανήματος/μπαταρίας.

Δράση διακόπτη

⚠ ΠΡΟΕΙΔΟΠΟΙΗΣΗ: Πριν τοποθετείτε την κασέτα μπαταριών στο μηχάνημα, να ελέγχετε πάντα ότι η σκανδάλη διακόπτης ενεργοποιείται κανονικά και επιστρέφει στην «ΑΝΕΝΕΡΓΗ» όταν την αφήνετε.

Για να ξεκινήσετε το μηχάνημα, τραβήξτε τη σκανδάλη διακόπτη ενώ τραβάτε τον μοχλό ενεργοποίησης. Η ταχύτητα αυξάνεται όσο αυξάνετε την πίεση στη σκανδάλη διακόπτη. Για διακοπή της λειτουργίας, αφήστε τη σκανδάλη διακόπτη.

► **Εικ.20:** 1. Σκανδάλη διακόπτης 2. Μοχλός ενεργοποίησης

Άνοιγμα και κλείσιμο των μοχλών

Το μηχάνημα είναι εξοπλισμένο με τρεις μοχλούς.

Μοχλός ακροφυσίου

Ο μοχλός ακροφυσίου χρησιμοποιείται για το φύσημα νεφέλματος. Κανονικά, κλείστε τον μοχλό ακροφυσίου και ανοίξτε τον μοχλό ακροφυσίου μόνο όταν φυσάτε νεφέλωμα.

► **Εικ.21:** 1. Κλειστό 2. Ανοικτό

Μοχλός αποστράγγισης

Ο μοχλός αποστράγγισης χρησιμοποιείται για την αποστράγγιση του υγρού στη δεξαμενή. Όταν λειτουργείτε το μηχάνημα, να κλείνετε πάντα τον μοχλό.

► **Εικ.22:** 1. Κλειστό 2. Ανοικτό

Μοχλός δεξαμενής

Ο μοχλός δεξαμενής χρησιμοποιείται όταν γίνεται αλλαγή του φίλτρου. Όταν λειτουργείτε το μηχάνημα, να ανοίγετε πάντα τον μοχλό.

► **Εικ.23:** 1. Κλειστό 2. Ανοικτό

Κομβίο ρύθμισης ποσότητας τροφodότησης

Μπορείτε να ρυθμίσετε την ποσότητα υγρού που τροφοδοτείται στο ακροφύσιο άκρου. Για την τροφοδότηση της μέγιστης ποσότητας υγρού, γυρίστε το κομβίο ώστε ο αριθμός "4" να ευθυγραμμιστεί με την ένδειξη τριγώνου. Για την τροφοδότηση της ελάχιστης ποσότητας υγρού, γυρίστε το κομβίο ώστε ο αριθμός "1" να ευθυγραμμιστεί με την ένδειξη τριγώνου.

► **Εικ.24:** 1. Κομβίο ρύθμισης ποσότητας τροφοδότησης 2. Τριγωνικό σημάδι

Ηλεκτρονική λειτουργία

Το μηχάνημα είναι εξοπλισμένο με ηλεκτρονική λειτουργία για εύκολη λειτουργία.

- Έλεγχος σταθερής ταχύτητας
Η λειτουργία ελέγχου ταχύτητας παρέχει σταθερή ταχύτητα περιστροφής, ανεξάρτητα από τις συνθήκες φόρτου.
- Λειτουργία βαλβίδας τροφοδότησης
Το μηχάνημα είναι εξοπλισμένο με βαλβίδα

τροφodότησης. Η βαλβίδα τροφοdότησης ανοίγει αυτόματα για να τροφοδοτεί υγρό στη δεξαμενή όταν τραβάτε τη σκανδάλη διακόπτη και κλείνει αυτόματα όταν αφήνετε τη σκανδάλη διακόπτη.

Λειτουργία αποφυγής τυχαίας επανεκκίνησης

Όταν ενεργοποιείτε το μηχάνημα ενώ τραβάτε τον μοχλό ενεργοποίησης και τη σκανδάλη διακόπτη, το μηχάνημα δεν ξεκινάει και η λυχνία κύριας λειτουργίας αναβοσβήνει με πράσινο χρώμα. Για να ξεκινήσετε το μηχάνημα, αφήστε πρώτα τη σκανδάλη διακόπτη και μετά ενεργοποιήστε το μηχάνημα.

ΛΕΙΤΟΥΡΓΙΑ

⚠ ΠΡΟΣΟΧΗ: Όταν φοράτε το μηχάνημα, φροντίστε να τοποθετήσετε τον ιμάντα ώμου και στους δύο ώμους σας. Διαφορετικά, το μηχάνημα μπορεί να πέσει όταν φορέσετε ή χρησιμοποιήσετε το μηχάνημα και να προκληθεί τραυματισμός.

⚠ ΠΡΟΣΟΧΗ: Όταν φοράτε το μηχάνημα, φροντίστε να τοποθετήσετε το μηχάνημα στην πλάτη σας. Διαφορετικά, το μηχάνημα μπορεί να πέσει κατά τη λειτουργία, και να προκληθεί τραυματισμός.

⚠ ΠΡΟΣΟΧΗ: Μην τοποθετείτε το μηχάνημα στο έδαφος ενώ λειτουργεί. Η άμμος ή η σκόνη μπορεί να εισέλθει από την είσοδο αναρρόφησης και να προκαλέσει δυσλειτουργία ή προσωπικό τραυματισμό.

Πριν τη λειτουργία του μηχανήματος, προσαρμόστε το μήκος του ιμάντα ώμου και της ζώνης μέσης.

1. Τοποθετήστε το μηχάνημα σε μια επίπεδη και σταθερή επιφάνεια.
2. Βεβαιωθείτε ότι οι μοχλοί βρίσκονται στις ακόλουθες θέσεις.

- Ο μοχλός αποστράγγισης βρίσκεται στην κλειστή θέση.

► **Εικ.25:** 1. Μοχλός αποστράγγισης

- Ο μοχλός δεξαμενής βρίσκεται στην ανοικτή θέση.

► **Εικ.26:** 1. Μοχλός δεξαμενής

- Ο μοχλός ακροφυσίου βρίσκεται στην κλειστή θέση.

► **Εικ.27:** 1. Μοχλός ακροφυσίου

3. Ανοίξτε το καπάκι δεξαμενής και μετά τοποθετήστε τον διηθητήρα.

► **Εικ.28:** 1. Καπάκι δεξαμενής 2. Διηθητήρας

4. Ρίξτε το υγρό μέσα στη δεξαμενή και μετά σφίξτε το καπάκι δεξαμενής.

► **Εικ.29**

5. Φορέστε το μηχάνημα και μετά ασφαλίστε την πόρπη της ζώνης μέσης.

6. Γυρίστε τον μοχλό ακροφυσίου με τρόπο ώστε ο μοχλός ακροφυσίου να βρίσκεται στην ανοικτή θέση.

► **Εικ.30:** 1. Μοχλός ακροφυσίου

7. Ενεργοποιήστε το μηχάνημα και μετά κρατήστε τη λαβή ελέγχου σταθερά και εκτελέστε τη λειτουργία

φυσήματος νεφελώματος.

Μετά τη λειτουργία, γυρίστε τον μοχλό ακροφυσίου με τρόπο ώστε ο μοχλός ακροφυσίου να βρίσκεται στην κλειστή θέση.

Όταν αφήνετε το μηχάνημα κάτω, απασφαλίστε την πόρπη της ζώνης μέσης και μετά αφήστε το μηχάνημα κάτω αργά.

► **Εικ.31:** 1. Πόρπη

ΠΑΡΑΤΗΡΗΣΗ: Μπορείτε να ανακατέψετε το υγρό στη δεξαμενή γυρίζοντας τον διηθητήρα όπως απεικονίζεται στην εικόνα.

► **Εικ.32:** 1. Διηθητήρας

ΣΥΝΤΗΡΗΣΗ

▲ ΠΡΟΣΟΧΗ: Να βεβαιώνετε πάντα ότι έχετε βγάλει όλες τις κασέτες μπαταριών από το μηχάνημα πριν από την αποθήκευση ή τη μεταφορά του μηχανήματος καθώς και πριν επιχειρήσετε να εκτελέσετε εργασίες επιθεώρησης ή συντήρησης.

Για τη διατήρηση της ΑΣΦΑΛΕΙΑΣ και ΑΞΙΟΠΙΣΤΙΑΣ του προϊόντος, οι επισκευές και οποιαδήποτε άλλη εργασία συντήρησης ή ρύθμισης πρέπει να εκτελούνται από εξουσιοδοτημένα ή εργοστασιακά κέντρα εξυπηρέτησης της Makita, χρησιμοποιώντας πάντοτε ανταλλακτικά της Makita.

Αποστράγγιση του υγρού

Όταν αποστραγγίζετε το υγρό στη δεξαμενή, αφαιρέστε τον εύκαμπτο σωλήνα από την κύρια μονάδα και μετά αποστραγγίστε το υγρό από τη δεξαμενή στον περιέκτη ανοίγοντας τον μοχλό αποστράγγισης. Αφού αποστραγγίσετε το υγρό, βεβαιωθείτε να κλείσετε τον μοχλό αποστράγγισης και να συνδέσετε τον εύκαμπτο σωλήνα στην κύρια μονάδα.

► **Εικ.33:** 1. Μοχλός αποστράγγισης 2. Εύκαμπτος σωλήνας

ΠΑΡΑΤΗΡΗΣΗ: Για να αδειάσετε τη δεξαμενή εντελώς, γείρετε λίγο την κύρια μονάδα προς την έξοδο του εύκαμπτου σωλήνα.

Καθαρισμός του μηχανήματος

ΕΙΔΟΠΟΙΗΣΗ: Μην χρησιμοποιείτε ποτέ βενζίνη, πετρελαϊκό αιθέρα, διαλυτικό, αλκοόλη ή παρόμοιες ουσίες. Μπορεί να προκληθεί αποχρωματισμός, παραμόρφωση ή ρωγμές.

Καθαρίστε το μηχάνημα σκουπίζοντας τη σκόνη με ένα στεγνό πανί ή ένα πανί διαποτισμένο με σαπουνόνερο αφού πρώτα το έχετε στύψει.

Αφαιρέστε τη σκόνη ή τη βρομιά από την είσοδο αναρρόφησης.

► **Εικ.34:** 1. Είσοδος αναρρόφησης

Καθαρισμός φίλτρου

Να καθαρίζετε το φίλτρο τακτικά. Για να καθαρίσετε το φίλτρο, ακολουθήστε τα παρακάτω βήματα.

1. Αφαιρέστε τις κασέτες μπαταριών και μετά κλείστε τον μοχλό δεξαμενής.
2. Αφαιρέστε το καπάκι φίλτρου γυρίζοντας το αριστερόστροφα και μετά αφαιρέστε το φίλτρο.
► **Εικ.35:** 1. Καπάκι φίλτρου 2. Φίλτρο
3. Καθαρίστε το φίλτρο με τρεχούμενο νερό.
4. Προσαρτήστε το φίλτρο στην κύρια μονάδα και μετά σφίξτε το καπάκι φίλτρου.
5. Ανοίξτε τον μοχλό δεξαμενής.

Αποθήκευση

Πριν την αποθήκευση του μηχανήματος, εκτελέστε πλήρη συντήρηση. Αποθηκεύστε το μηχάνημα σε ένα μέρος μακριά από παιδιά, όπου δεν εκτίθεται στην υγρασία, στη βροχή ή στην άμεση ηλιοβολή. Μπορείτε να συνδέσετε τον ιμάντα του σωλήνα με το μηχάνημα όπως απεικονίζεται στην εικόνα, για να φέρετε τον σωλήνα σε όρθια θέση.

► **Εικ.36:** 1. Ιμάντας

Αλλαγή του ακροφυσίου

Μπορείτε να αλλάξετε το τυπικό ακροφύσιο στο ακροφύσιο ULV (Ultra Low Volume - Υπερχαμηλός όγκος). Το ακροφύσιο ULV μπορεί να εκκενώνει λεπτότερο νεφέλωμα από ότι το τυπικό ακροφύσιο. Για να αλλάξετε το ακροφύσιο, ακολουθήστε τα παρακάτω βήματα.

1. Χαλαρώστε τη βίδα και αφαιρέστε την, και μετά αφαιρέστε την μπροστινή πλευρά του ακροφυσίου άκρου.
► **Εικ.37:** 1. Βίδα 2. Ακροφύσιο άκρου
 2. Αφαιρέστε το τυπικό ακροφύσιο γυρίζοντας το ακροφύσιο αριστερόστροφα χρησιμοποιώντας το κλειδί.
► **Εικ.38:** 1. Κλειδί 2. Τυπικό ακροφύσιο
 3. Αφαιρέστε το στρογγυλό δακτύλιο από το τυπικό ακροφύσιο και μετά προσαρτήστε το στο ακροφύσιο ULV.
► **Εικ.39:** 1. Στρογγυλός δακτύλιος 2. Τυπικό ακροφύσιο 3. Ακροφύσιο ULV
 4. Προσαρτήστε το ακροφύσιο ULV γυρίζοντας το ακροφύσιο δεξιόστροφα χρησιμοποιώντας το κλειδί.
► **Εικ.40:** 1. Κλειδί 2. Ακροφύσιο ULV
- ΕΙΔΟΠΟΙΗΣΗ:** Μην σφίξτε το ακροφύσιο υπερβολικά. Η συνιστώμενη ροπή σύσφιξης είναι περίπου 1,0 N·m. Εάν σφίξετε το ακροφύσιο πάρα πολύ, μπορεί να προκληθεί ζημιά στο τμήμα προσαρτήματος για το ακροφύσιο.
5. Προσαρτήστε το ακροφύσιο άκρου και μετά σφίξτε τη βίδα.
► **Εικ.41:** 1. Βίδα 2. Ακροφύσιο άκρου

ΑΝΤΙΜΕΤΩΠΙΣΗ ΠΡΟΒΛΗΜΑΤΩΝ

Πριν ζητήσετε επισκευές, εκτελέστε αρχικά τη δική σας επιθεώρηση. Αν εντοπίσετε πρόβλημα που δεν εξηγείται στο εγχειρίδιο, μην επιχειρήσετε να αποσυναρμολογήσετε το μηχάνημα. Αντ' αυτού, απευθυνθείτε σε εξουσιοδοτημένα κέντρα σέρβις της Makita και χρησιμοποιείτε πάντα ανταλλακτικά της Makita για τις επισκευές.

Κατάσταση προβλήματος	Πιθανή αιτία (δυσλειτουργία)	Αποκατάσταση
Το μοτέρ δεν λειτουργεί.	Η μπαταρία δεν είναι τοποθετημένη.	Τοποθετήστε την μπαταρία.
	Πρόβλημα μπαταριών (μικρή τάση)	Επαναφορτίστε την μπαταρία. Αν η επαναφόρτιση δεν είναι αποτελεσματική, αντικαταστήστε την μπαταρία.
	Το σύστημα μετάδοσης κίνησης δεν λειτουργεί σωστά.	Απευθυνθείτε στο τοπικό εξουσιοδοτημένο κέντρο σέρβις για επισκευή.
Το μοτέρ σταματά να λειτουργεί μετά από μικρή χρήση.	Το επίπεδο φόρτισης μπαταρίας είναι χαμηλό.	Επαναφορτίστε την μπαταρία. Αν η επαναφόρτιση δεν είναι αποτελεσματική, αντικαταστήστε την μπαταρία.
	Υπερθέρμανση.	Σταματήστε να χρησιμοποιείτε το μηχάνημα για να το αφήσετε να κρυώσει.
Το νεφέλωμα δεν εκκενώνεται.	Η δεξαμενή είναι άδεια.	Γεμίστε τη δεξαμενή με υγρό.
	Ο μοχλός ακροφυσίου ή ο μοχλός δεξαμενής είναι κλειστός.	Ανοίξτε τον μοχλό ακροφυσίου και τον μοχλό δεξαμενής.
	Το ακροφύσιο είναι φραγμένο.	Αφαιρέστε το τυπικό ακροφύσιο ή το ακροφύσιο ULV και μετά καθαρίστε το ακροφύσιο με τρεχούμενο νερό για να αφαιρέσετε το υλικό που προκαλεί το φράξιμο.
	Το φίλτρο είναι φραγμένο.	Αφαιρέστε το φίλτρο και μετά καθαρίστε το φίλτρο με τρεχούμενο νερό για να αφαιρέσετε το υλικό που προκαλεί το φράξιμο.
Το μηχάνημα δεν φτάνει τη μέγιστη ταχύτητα.	Η μπαταρία δεν είναι σωστά τοποθετημένη.	Τοποθετήστε την μπαταρία όπως περιγράφεται στο παρόν εγχειρίδιο.
	Η ισχύς της μπαταρίας πέφτει.	Επαναφορτίστε την μπαταρία. Αν η επαναφόρτιση δεν είναι αποτελεσματική, αντικαταστήστε την μπαταρία.
	Το σύστημα μετάδοσης κίνησης δεν λειτουργεί σωστά.	Απευθυνθείτε στο τοπικό εξουσιοδοτημένο κέντρο σέρβις για επισκευή.
<p>Ασυνήθιστοι κραδασμοί:</p> <p>⇒ Σταματήστε αμέσως το μηχάνημα!</p>	Το σύστημα μετάδοσης κίνησης δεν λειτουργεί σωστά.	Απευθυνθείτε στο τοπικό εξουσιοδοτημένο κέντρο σέρβις για επισκευή.
<p>Το μοτέρ δεν μπορεί να σταματήσει:</p> <p>⇒ Βγάλτε αμέσως την μπαταρία!</p>	Ηλεκτρική ή ηλεκτρονική δυσλειτουργία.	Βγάλτε την μπαταρία και απευθυνθείτε στο τοπικό εξουσιοδοτημένο κέντρο σέρβις για επισκευή.

ΠΡΟΑΙΡΕΤΙΚΑ ΕΞΑΡΤΗΜΑΤΑ

⚠ ΠΡΟΣΟΧΗ: Αυτά τα εξαρτήματα ή προσαρτήματα συνιστώνται για χρήση με το προϊόν Makita σας που περιγράφεται στο εγχειρίδιο αυτό. Η χρήση άλλων εξαρτημάτων ή προσαρτημάτων μπορεί να παρουσιάζει κίνδυνο για τραυματισμό ατόμων. Να χρησιμοποιείτε τα εξαρτήματα ή προσαρτήματα μόνο για τη χρήση που προορίζονται.

Εάν χρειάζεστε οποιαδήποτε βοήθεια για περισσότερες πληροφορίες σε σχέση με αυτά τα εξαρτήματα, απευθυνθείτε στο τοπικό σας κέντρο εξυπηρέτησης Makita.

- Εκτροπέας
- Γνήσια μπαταρία και φορτιστής της Makita

ΠΑΡΑΤΗΡΗΣΗ: Μερικά στοιχεία στη λίστα μπορεί να συμπεριλαμβάνονται στη συσκευασία προϊόντος ως στάνταρ εξαρτήματα. Μπορεί να διαφέρουν ανάλογα με τη χώρα.

TEKNİK ÖZELLİKLER

Model:		PM001G
Kapasiteler	Hava hacmi	7,4 - 14,3 m ³ /min *1
	Hava hızı (ortalama)	28,0 - 53,0 m/s
	Hava hızı (maks.)	34,0 - 64,0 m/s
Depo kapasitesi		15 l
Toplam artık hacmi		50 ml veya daha az
Boyutlar (U x G x Y) (uç nozul ile)		320 mm x 600 mm x 690 mm
Anma voltajı		D.C. 36 V - 40 V maks.
Net ağırlık	*2	11,9 kg
	*3	12,8 - 15,7 kg
Koruma sınıfı		IPX4

- Sürekli yapılan araştırma ve geliştirmelerden dolayı, burada belirtilen özellikler önceden bildirilmeksizin değiştirilebilir.
- Özellikler ülkeden ülkeye değişebilir.

*1: Maksimum hava debisi 858 m³/saattir.

*2: Depo boşken, bataryasız, borular, nozul ve askılar takılı iken ölçülen ağırlık.

*3: EPTA Prosedürü 01/2014 uyarınca en hafif ve en ağır ağırlık kombinasyonu. Ağırlık, ekli aksesuar/aksesuarlara ve batarya kartuşuna/kartuşlarına bağlı olarak farklılık gösterebilir.

Geçerli batarya kartuşu ve şarj aleti

Batarya kartuşu	BL4040F / BL4050F / BL4080F
Şarj aleti	DC40RA / DC40RB / DC40RC / DC40WA

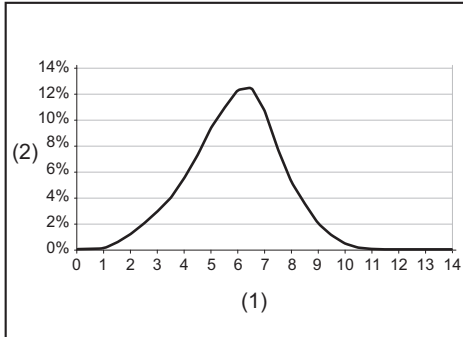
- Yukarıda listelenen batarya kartuşlarının ve şarj aletlerinin bazıları yaşadığınız bölgeye bağlı olarak mevcut olmayabilir.

UYARI: Sadece yukarıda listelenen batarya kartuşlarını ve şarj aletlerini kullanın. Başka batarya kartuşlarının ve şarj aletlerinin kullanılması yaralanma ve/veya yangına neden olabilir.

UYARI: Taşınabilir güç ünitesi gibi kablolu güç kaynaklarını bu makine ile kullanmayın.

Püskürtme teknik özellikleri

Yatay püskürtme menzili



(1) Akış çıkışından olan mesafe (m) (2) Toprağa bırakılan madde yüzdesi

Damlacık boyutu

Standart nozulla damlacık boyutu

Ayarlama düğmesi ayarı	Dv 0.1	Dv 0.5	Dv 0.9
1	22 µm	57 µm	112 µm
2	37 µm	102 µm	251 µm
3	40 µm	111 µm	267 µm
4	42 µm	115 µm	280 µm

ULV nozulla damlacık boyutu

Ayarlama düğmesi ayarı	Dv 0.1	Dv 0.5	Dv 0.9
1 - 4	14 µm	41 µm	85 µm

Çalışma konumlarına göre boşaltma oranı

► Şek.1

Standart nozulla boşaltma oranı

Ayarlama düğmesi ayarı	Nozul açısı		
	-30°	0°	30°
1	0,23 l/min	0,19 l/min	0,12 l/min
2	1,13 l/min	0,71 l/min	0,34 l/min
3	1,37 l/min	0,95 l/min	0,49 l/min
4	1,55 l/min	1,21 l/min	0,51 l/min

ULV nozulla boşaltma oranı

Ayarlama düğmesi ayarı	Nozul açısı		
	-30°	0°	30°
1 - 4	0,05 l/min	0,04 l/min	0,03 l/min

NOT: Bu püskürtme teknik özelliklerinde verilen değerler, çalışma koşullarına veya ortam sıcaklığına bağlı olarak farklılık gösterebilir.

Semboller

Ekipmanı için kullanılacak semboller aşağıda gösterilmiştir. Kullanmadan önce anlamlarını anladığınızdan emin olun.



Çok özenli ve dikkatli kullanın.



El kitabını okuyun.



Koruyucu gözlük ve kulaklık takın.



Solunum koruyucu takın.



Neme maruz bırakmayın.



Altı kaymayan sağlam ayakkabılar giyin.
Çelik burunlu güvenlik ayakkabıları önerilir.



Koruyucu eldiven giyin.



Koruyucu elbise giyin.



Püskürtme yaparken etraftakileri uzak tutun.



Ellerinizi dönen parçalardan uzak tutun.



Uzun saç dolaşma kazasına neden olabilir.



Etrafınızdaki kişileri aletten uzak tutun.



Depo boşken ağırlık.



Depo doluyken ağırlık.



Ni-MH
Li-ion

Sadece AB ülkeleri için
Ekipmanda tehlikeli bileşenler bulunduğundan dolayı atık elektrikli ve elektronik ekipmanlar, aküler ve bataryalar çevre ve insan sağlığı üzerinde olumsuz etkiye yol açabilir.

Elektrikli ve elektronik cihazları veya bataryaları evsel atıklarla birlikte atmayın!
Atık elektrikli ve elektronik ekipmanlar ile akümülatörler ve bataryalar hakkındaki Avrupa Direktifi ve söz konusu direktifin ulusal yasalara uyarlanması gereğince atık elektrikli ekipmanlar, bataryalar ve akümülatörler ayrı olarak depolanmalı ve çevre koruma hakkındaki mevzuata uygun olarak faaliyet gösteren ayrı bir kentsel atık toplama noktasına teslim edilmelidir.
Bu husus, ekipmanın üzerine yerleştirilmiş üzerinde çarpı işareti bulunan tekerlekli çöp kovası simgesi ile belirtilmiştir.



AB Dış Mekan Gürültü Direktifi uyarınca garanti edilen ses gücü seviyesi.



Avustralya NSW Gürültü Kontrol Mevzuatı uyarınca ses gücü seviyesi

Kullanım amacı

Bu makine ilaç püskürtmek için tasarlanmıştır.

Gürültü

Tipik A-ağırlıklı gürültü düzeyi (ISO22868 standardına göre belirlenen):

Ses basınç seviyesi (L_{pA}): 84,5 dB (A)

Ses gücü düzeyi (L_{WA}): 103,3 dB (A)

Belirsizlik (K): 2,3 dB (A)

NOT: Beyan edilen gürültü emisyonu değer(ler)i bir standart test yöntemine uygun şekilde ölçülmüştür ve bir aleti bir başkasıyla karşılaştırmak için kullanılabilir.

NOT: Beyan edilen gürültü emisyonu değer(ler)i bir ön maruz kalma değerlendirmesi olarak da kullanılabilir.

UYARI: Kulak koruyucuları takın.

UYARI: Elektrikli aletin gerçek kullanımı sırasındaki gürültü emisyonu, aletin kullanım biçimlerine, özellikle işlenen iş parçasının türüne bağlı olarak beyan edilen değer(ler)den farklı olabilir.

UYARI: Gerçek kullanım koşullarındaki tahmini maruziyeti baz alan, operatörü koruyacak güvenlik önlemlerini mutlaka belirleyin (çalışma döngüsü içerisinde aletin kapalı olduğu ve aktif durumda olmasının yanı sıra boşta çalıştığı zamanlar gibi, bütün zaman dilimleri göz önünde bulundurarak).

Titreşim

Titreşim toplam değeri (üç eksenli vektör toplamı) (ISO22867 standardına göre hesaplanan):

Çalışma modu: yüksüz çalışma

Titreşim emisyonu (a_h): 2,5 m/s²den az

Belirsizlik (K): 1,5 m/s²

NOT: Beyan edilen titreşim toplam değeri bir standart test yöntemine uygun şekilde ölçülmüştür ve bir aleti bir başkasıyla karşılaştırmak için kullanılabilir.

NOT: Beyan edilen titreşim toplam değeri bir ön maruz kalma değerlendirilmesi olarak da kullanılabilir.

UYARI: Elektrikli aletin gerçek kullanımı sırasındaki titreşim emisyonu, aletin kullanımı biçimlerine, özellikle işlenen iş parçasının türüne bağlı olarak beyan edilen değeri(ler)den farklı olabilir.

UYARI: Gerçek kullanım koşullarındaki tahmini maruziyeti baz alan, operatörü koruyacak güvenlik önlemlerini mutlaka belirleyin (çalışma döngüsü içerisinde aletin kapalı olduğu ve aktif durumda olmasının yanı sıra boşta çalıştığı zamanlar gibi, bütün zaman dilimleri göz önünde bulundurarak).

Uygunluk Beyanları

Sadece Avrupa ülkeleri için

Uygunluk beyanları bu kullanma kılavuzuna Ek A olarak eklenmiştir.

GÜVENLİK UYARILARI

Genel elektrikli alet güvenliği uyarıları

UYARI Bu elektrikli aletle birlikte verilen tüm güvenlik uyarılarını, talimatları, resimli açıklamaları ve teknik özellikleri okuyun. Aşağıda listelenen talimatların herhangi birine uyulmaması elektrik çarpması, yangın ve/veya ciddi yaralanma ile sonuçlanabilir.

Tüm uyarıları ve talimatları ile-ride başvurmak için saklayın.

Uyarılardaki "elektrikli alet" terimi ile ya prizden çalışan (kordonlu) elektrikli aletiniz ya da kendi aküsü ile çalışan (kordonsuz) elektrikli aletiniz kastedilmektedir.

Akülü Sırt Tipi İlaçlama Makinası Güvenlik Talimatları

UYARI: Tüm güvenlik uyarılarını ve tüm talimatları okuyun. Uyarılara ve talimatlara uyulmaması elektrik şoku, yangın ve/veya ciddi yaralanmalar ile sonuçlanabilir.

Tüm uyarıları ve talimatları ile-ride başvurmak için saklayın.

Genel Talimatlar

- Doğru ve güvenli çalışma için kullanıcı, makinenin kullanımına aşina olmak amacıyla bu kullanma kılavuzunu okumalı, anlamalı ve takip etmelidir. Bilgi seviyesi yetersiz kullanıcılar, hatalı kullanımdan dolayı kendilerini ve başkalarını tehlikeye atarlar.
- Makinenin sadece ilaçlama makineleriyle

deneyimli olduklarını ispatlamış kişilere ödünç verilmesi önerilir.

- Çocuklar ve 18 yaş altı gençlerin makineyi kullanmalarına izin verilmemelidir. Bununla birlikte 16 yaş üstü kişiler, doğrudan nitelikli bir eğitmen gözetiminde yalnızca eğitilmek maksadıyla makineyi kullanabilirler.
- Yalnızca üretici tarafından ilaçlama makineleriyle kullanımı özellikle onaylanmış ve ilgili tüm güvenlik düzenlemeleri, standartları ve yönetmelikleri karşılayan bitki koruma ürünlerini kullanın.
- Tüm işletme ve bakım personeli kullanılan kimyasal ürünlerin uygun kullanım prosedürleri ve sıvı kimyasal bertaraf düzenlemeleri konusunda eğitilmeli ve bilgi edinmeleri sağlanmalıdır.
- Kimyasal ürünleri kullanırken yaralanma riskini azaltmak için ilaçlama makinesini doldururken, kullanırken ve temizlerken uygun koruyucu elbise giyin. Uygun göz, cilt ve solunum koruma konusunda her zaman kimyasal madde üreticisinin talimatlarına uyun.
- Zehirli kimyasal maddeler kullanırken operatör ve etraftakilerin kullanılan kimyasal madde için uygun bir şekilde oturtulmuş bir maske takmaları gerekebilir. Kimyasal ürün etiketine bakın. Zehirli kimyasal maddelerin solunması ciddi veya ölümcül yaralanmaya neden olabilir.

Makinenin kullanım amacı

- Makine yalnızca meyve, çiçek ve sebze bahçeleri, ağaçlar ve çalılar ile kahve, tütün ve pamuk gibi diğer bitkilerdeki zararlıları ve yabancı otları kontrol altına almak için sıvı kimyasal maddeleri ve diğer sıvıları püskürtmek için tasarlanmıştır. Kabuk böceği ve diğer zararlılar ile bitki hastalıklarını kontrol altına almak için fidanların bakımı için de kullanışlıdır. Asla başka hiçbir amaçla kullanmayın.

Eğitim

- Talimatları dikkatlice okuyun. Makinenin kontrollerine ve doğru kullanımına aşinalık kazanın.
- Çocukların, fiziksel, duyuşal ya da zihinsel yetenekleri kısıtlı olan veya deneyim ya da bilgileri olmayan kişilerin veya kullanma talimatlarına aşina olmayan insanların makineyi kullanmasına asla izin vermeyin. Yerel yönetmelikler, operatör yaşını kısıtlayabilir.
- Makineyi asla çevresinde insanlar, özellikle de çocuklar veya evcil hayvanlar varken kullanmayın.
- Diğer insanlara ya da mallarına gelecek zararlardan veya kazalardan kullanıcının sorumlu olduğunu unutmayın.

Hazırlık

- Makineyi kullanırken daima sağlam ayakkabılar ve uzun pantolonlar giyin.
- Hava girişine çekilebilecek takılar takmayın ve bol elbiseler giymeyin. Uzun saçlarınızı hava girişlerinden uzak tutun.
- Tozdan rahatsız olmak için toz maskesi takılması tavsiye edilir.
- Makineyi kullanırken daima kaymaz ve

koruyucu ayakkabı giyin. Kaymaz, kapalı topuklu güvenlik botları ve ayakkabıları yaranalanma riskini azaltır.

5. **Makine ile çalışırken daima kauçuk/kimyasal maddelere dayanıklı eldiven ve kauçuk/kimyasal maddelere dayanıklı çizme giyin.**

Kimyasal maddelerle işlem yapılması

1. **Bazı kimyasal maddeler zehirli ve/veya yakıcı maddeler içerebilirler. Bu tür kimyasal maddeler tehlikeli olabilir ve insanlar ve hayvanlarda ciddi veya ölümcül yaranalanmaya ve/veya bitkiler ve çevre üzerinde ciddi zarara yol açabilirler. Kimyasal maddelere doğrudan temas etmekten kaçının. Kimyasal ürünü her türlü temas konusunda kimyasal madde üreticisinin talimatlarına uyun.**
2. **Kimyasal maddeyi karıştırmada veya kullanmadan ya da depolamadan veya bertaraf etmeden önce her seferinde üreticinin ürün etiketini ve talimatını okuyun. Özensiz ve hatalı kullanmak ciddi veya ölümcül yaranalanmaya neden olabilir.**
3. **Kullanmadan önce kimyasal madde kabı üzerindeki etiketleri dikkatlice okuyun. Kimyasal maddeler zehirliliklerine göre kategorilere ayrılırlar. Her kategorinin kendine has işlem yapma özellikleri vardır. Kullandığınız kimyasal maddenin kategorisine ait özellikleri hakkında bilgi edinin. Kimyasal maddeler sadece işlem yapma ve uygun ilk yardım tedbirleri konusunda eğitilmiş kişiler tarafından kullanılabilir.**
4. **Kimyasal maddeler hatalı kullanılırsa insanlar, hayvanlar ve çevreye zararlı olabilirler. Bu makineyle yakıcı, aşındırıcı veya zehirli bazı kimyasal maddelerin kullanılmaması önerilir.**
5. **Sadece uyumlu tarım ilaçlarını karıştırın. Hatalı karışımlar zehirli dumanlar üretebilirler. Kimyasal maddelerle işlem yaparken ve onları püskürtürken yerel çevre koruma kurallarına ve yönergelerine göre çalıştığınızdan emin olun. Rüzgarlı iken püskürtme yapmayın. Çevrenin korunmasına yardımcı olmak için sadece önerilen dozu kullanın.**
6. **Kimyasal maddelerle işlem yaparken ve onları püskürtürken yerken, içerken veya sigara kullanırken olduğu gibi ağızınızı açmaktan kaçının. Nozul, hortum, boru veya başka herhangi bir parçayı asla ağızınızla üflemeysin. Kimyasal maddelere her zaman, uygun koruyucu elbise giyip koruyucu ekipman takarak iyi havalandırılan bir alanda işlem yapın.**
7. **Kimyasal maddeleri yiyecek, içecek veya tıbbi ilaçlarla birlikte depolamayın veya taşımayın ve bir kimyasal madde kabını başka amaçlarla asla yeniden kullanmayın. Sıvı kimyasal maddeleri özellikle yiyecek ve/veya içecek kapları olmak üzere başka kaplara aktarmayın.**
8. **Ürünün etiketini okumak veya danıştığınız kişilere göstermek için hazır bulundurun. Tüm kimyasal madde dökülmelerini hemen temizleyin. Kimyasal maddelere kazara temas edilmesi veya yutulması durumunda veya elbiseye bulaşması halinde çalışmayı kesin ve derhal kimyasal madde üreticisinin talimatlarına bakın. Ne yapılması gerektiği konusunda emin**

değilseniz tavsiye için derhal bir doktora veya zehir kontrol merkezine sorun.

9. **Tüm artıkları ikamet ettiğiniz bölgedeki yasa ve yönetmeliklere uyarak bertaraf edin.**
10. **Kimyasal maddeleri çocukların, başka yetkisz kişilerin ve hayvanların erişemeyeceği yerlerde muhafaza edin. Kimyasal maddeleri kullanımda değilkten güvenli ve kilifli bir yerde saklayın. Uygun depolama için üreticinin önerilerine uyun.**

Kimyasal maddelerin hazırlanması

1. **Kimyasal madde solüsyonlarını kimyasal madde üreticisinin talimatlarına göre hazırlayın.**
2. **Solüsyon artmaması için solüsyonu yalnızca edeki işe yetecek kadar hazırlayın.**
3. **Kimyasal maddeleri yalnızca talimatlara uyarak karıştırın. Hatalı karışımlar zehirli dumanlar veya patlayıcı karışımlar üretebilirler.**
4. **Asla seyreltilmemiş kimyasal maddeleri püskürtmeyin.**
5. **Sadece iyi havalandırılan bir yerde dış meknlarda solüsyon hazırlayın ve kabı doldurun.**

Kimyasal maddelerin saklanması

1. **Püskürtme solüsyonunu kapta bir günden fazla saklamayın.**
2. **Püskürtme solüsyonunu her zaman sadece onaylı kaplarda saklayın ve taşıyın.**
3. **Püskürtme solüsyonunu asla yiyecek, içecek veya hayvan yemi için olan kaplarda saklamayın veya taşımayın.**
4. **Püskürtme solüsyonunu yiyecek, içecek veya hayvan yemi ile birlikte saklamayın veya taşımayın.**
5. **Püskürtme solüsyonunu çocukların, başka yetkisz kişilerin ve hayvanların erişemeyeceği yerlerde muhafaza edin.**
6. **Püskürtme solüsyonunu yetkisz kullanıma karşı emniyete alınmış kilifli bir yerde saklayın.**

Kimyasal maddelerin bertaraf edilmesi

1. **Artık kimyasal maddeleri veya bulaşmış durulama solüsyonlarını asla su yollarına, drenlere, kanalizasyona, sokak oluklarına, rögarlara veya benzerlerine atmayın.**
2. **Bulaşmış durulama suyunu bertaraf ederken ilgili tüm yasa, yönetmelik ve kurallara uyun.**
3. **Kimyasal madde üreticisinin önleyici talimatlarına kesinlikle riayet edin.**

Deponu doldurulması

1. **Boşaltma kolu ve nozul kolunun kapalı olduklarından emin olun.**
2. **İlaçlama makinesini kimyasal maddelerle kullanmadan önce düzgün monte ettiğinizden emin olmak ve püskürtme alıştırması yapmak için depoyu tatlı suyla doldurun. Bu esnada ayrıca herhangi bir sızıntı olup olmadığını kontrol edin. İlaçlama makinesinin kullanımını iyice öğrendikten sonra normal çalıştırma prosedürlerini takip edin.**
3. **Depoyu iyi havalandırılan alanlarda veya dış meknlarda doldurun.**
4. **İlaçlama makinesinde çabuk tutuşan maddeler**

- kullanmayın, bu maddeler patlamaya neden olarak ciddi veya ölümcül yaralanmaya yol açabilirler.
5. İlaçlama makinesinde yakıcı veya aşındırıcı maddeler kullanmayın, bu maddeler makinede hasara neden olabilirler.
 6. Haşlanma ve makinenin hasar görme riskini azaltmak için sıcaklığı 50 °C'yi (122 °F) aşan sıvıları kullanmayın.
 7. Depoyu doldurmak için ilaçlama makinesini düz bir yüzeye yerleştirin. Çevreyi kirlenme riskini azaltmak için depoya aşırı kimyasal madde çözümü doldurmamaya dikkat edin.
 8. Yaralanma riskini azaltmak için makine sırtınızda takılıyken depoyu doldurmayın.
 9. Solüsyon kabını merkezi su kaynağına takılı bir hortumla doldurursanız geri akış riskini azaltmak için hortumun ucunun solüsyonun dışına olduğundan emin olun.
 10. Depoda ekstra solüsyon artmayacak şekilde tek seferde bitmesi için doğru kimyasal madde solüsyonu miktarını hesaplayın.
 11. Doldurduktan sonra deponun kapağını iyice sıkın.
 12. Doldururken ve çalışma sırasında sızıntı olup olmadığını kontrol edin. Depo veya gevşek bir bağlantı elemanından olan sızıntı, elbisenizi ıslatabilir ve cildinize temas edebilir.
 13. Depoya, operatörün beden ölçüsü veya kuvvetine göre sıvı doldurun.

Kullanım

1. Şu durumlarda makineyi kapatın, batarya kartuşlarını çıkarın ve hareket eden tüm parçalarını tamamen durduğundan emin olun:
 - makineyi kullanmayı bıraktığınızda.
 - tıkanıklıkları temizlemeden önce.
 - makineyi kontrol etmeden, temizlemeden veya üzerinde çalışmadan önce.
 - makine anormal bir şekilde titremeye başlarsa.
2. Makineyi sadece gün ışığında ya da iyi aydınlatma sağlayan yapay ışıkta kullanın.
3. Fazla ileriye uzanmaya çalışmayın ve her zaman doğru bir dengeyi koruyun ve yere sağlam basın.
4. Eğimli yerlerde daima adımlarınıza dikkat edin.
5. Yürüyerek kullanın, asla koşmayın.
6. Tüm soğutma hava girişlerini döküntülerden temiz tutun.
7. Hiçbir zaman etraftakilere doğru püskürtmeyin.
8. Makineyi önerilen bir konumda ve sağlam bir yüzeyde çalıştırın.
9. Makineyi yüksek yerlerde çalıştırmayın.
10. Makineyi kullanırken nozulu asla yakınızdaki kişilere doğrultmayın.
11. Emme girişini ve/veya ilaçlama makinesi çıkışı asla tıkamayın.
 - Tozlu alanda çalışırken emme girişinin veya ilaçlama makinesi çıkışının toz veya pislikle tıkanmamasına dikkat edin.
 - Makita tarafından sağlanan nozullar dışında başka nozul kullanmayın.

12. Makineyi açık pencere vb. yanında çalıştırmayın.
13. Makinenin sadece makul saatlerde çalıştırılması tavsiye edilir - sabahın erken saatleri ya da gece geç vakitler gibi insanların rahatsız olabileceği saatlerde çalıştırmayın.
14. Makine herhangi yabancı bir cisme çarparsa veya alışılmamış güürültüler çıkarmaya veya titremeye başlarsa, makineyi durdurmak için hemen kapatın. Yeniden başlatmadan ve çalıştırmadan önce, batarya kartuşlarını makineden çıkarın ve makineyi hasara karşı kontrol edin. Makine hasar görmüşse Makita Yetkili Servis Merkezlerine tamir ettirin.
15. Emme girişine veya ilaçlama makinesi çıkışına parmak ya da başka bir nesne sokmayın.
16. İstem dışı başlatmayı önleyin. Batarya kartuşlarını takmadan, makineyi elinize almadan veya taşımadan önce anahtarın kapalı konumda olduğundan emin olun. Makineyi parmağınız anahtarın üzerindeyken taşımak ya da anahtar açık konumundayken makineye güç vermek kazalara davetiye çıkarır.
17. Makineyi çabuk tutuşan malzemelerin yakınında kullanmayın.
18. Makineyi düşük sıcaklıklı ortamda uzun süre çalıştırmaktan kaçının.
19. Yıldırım riski varken makineyi kullanmayın.
20. Makineyi çamurlu zeminde, ıslak yamaçlarda veya kaygan yerlerde kullanırken dengeye dikkat edin.
21. Makineyi, görüşün sınırlı olduğu kötü havalarda kullanmayın. Aksi takdirde düşük görüş nedeniyle düşmeye veya hatalı çalışmaya neden olabilir.
22. Makineyi su birikintisine sokmayın.
23. Makineyi dışarıda yağmur altında gözetimsiz bırakmayın.
24. Makineyi karda kullanmayın.
25. Kullanım sırasında kabloyu engellerden uzak tutun. Engellere takılan kablo ciddi yaralanmaya neden olabilir.
26. Depodaki sıvı donabileceği için dondurucu sıcaklıklarda çalışmaktan kaçının.

Kullanıldıktan sonra

1. Kimyasal madde püskürttükten veya kimyasal maddelerle işlem yaptıktan sonra daima kendinizi sabun ve suyla iyice yıkayın. Hemen duş alın ve tüm koruyucu elbiseleri başka eşyalardan ayrı olarak yıkayın. Kimyasal madde üreticisinin ilave her türlü önerisine uyun.
2. Her kullanımdan sonra depo ve süzgeci boşaltın, durulayın ve temizleyin. Bu işlemler solüsyonun, daha sonra tıkanmaya ve makinenin kimyasal maddeden hasar görmesine neden olabilecek kristalleşmesini önlemeye yardımcı olur. Ayrıca artık kimyasal maddeler başka tip kimyasal maddeyle bir sonraki püskürtme sırasında istenmeyen etkilere neden olabilirler (örneğin artık bitki öldürücü, tarım ilacı püskürtülmekte olan bitkilere zarar verebilir veya bu bitkileri öldürebilir).
3. Makineyi, depoda püskürtme solüsyonuyla depolamayın.

Bakım ve saklama

1. Makineyi güvenli bir şekilde çalışır durumda tutmak için tüm somunların, civataların ve vidaların sağlam şekilde sıkıldığından emin olun.
2. Parçalar aşınır veya hasar görürse bunları Makita tarafından sağlanan parçalarla değiştirin.
3. Makineyi çocukların ulaşamayacağı kuru bir yerde saklayın.
4. Makineyi kontrol, bakım, saklama veya aksesuar değiştirme maksadıyla durdurduğunuzda makineyi kapatın ve hareketli tüm parçaların tamamını durduğundan emin olun ve batarya kartuşlarını çıkarın. Makine üzerinde herhangi bir işlem yapmadan önce makineyi soğutun. Makineye özenle bakın ve temiz tutun.
5. Saklamadan önce her zaman makinenin soğumasını bekleyin.
6. Makineyi yağmura maruz bırakmayın. Makineyi kapalı yerlerde saklayın.
7. Makineyi kaldırırken mutlaka dizlerinizi kırın ve sırtınızı incitmemeye dikkat edin.
8. Aleti yıkarken batarya, motor ve terminaller gibi elektrik mekanizmasına su girmesine izin vermeyin.
9. Makineyi depolarken doğrudan güneş ışığı ve yağmurdan sakının, ısınmayacak veya nemlenmeyecek bir yerde depolayın.
10. Makineyi taşırken makineyi mutlaka sıkıca tutun.
11. Makineyi taşırken kablolon engellere takılmasına dikkat edin.

Bataryalı aletin kullanımı ve bakımı

1. Sadece üretici tarafından belirtilen şarj aleti ile şarj edin. Bir batarya kutusu için uygun olan şarj cihazı başka bir batarya kutusu ile kullanıldığında yangın riski oluşturabilir.
2. Elektrikli aletleri sadece özel olarak belirtilen batarya kutuları ile kullanın. Başka batarya kutularının kullanımı yaralanma ve yangın riski oluşturabilir.
3. Batarya kutusu kullanılmadığında; iki terminal arasında bağlantı kurulmasına sebep olabilecek ataç, bozuk para, anahtar, çivi, vida gibi metal nesnelere ya da küçük metal objelerden uzak tutun. Batarya terminallerine kısa devre yaptırmak yanıklara ya da yangına yol açabilir.
4. Kötü koşullarda bataryadan sıvı sızabilir; bu sıvıya temas etmeyin. Eğer istemeden bir temas olursa suyla yıkayın. Sıvı göze temas ederse, suyla yıkadıktan sonra tıbbi yardım alın. Bataryadan çıkan sıvı tahrişe ya da yanıklara neden olabilir.
5. Batarya kutusu ya da alet hasar görmüşse ya da üzerinde değişiklik yapılmışsa batarya kutusunu kullanmayın. Hasar görmüş ya da üzerinde değişiklik yapılmış batarya kutuları yangın, patlama ya da yaralanma riski ile sonuçlanan beklenmedik davranışlar sergileyebilir.
6. Batarya kutusunu veya aleti ateşe ya da aşırı sıcaklıklara maruz bırakmayın. Ateşe ya da 130 °C'nin üzerindeki sıcaklıklara maruz bırakmak patlamaya neden olabilir.

7. Tüm şarj talimatlarına uyun ve batarya kutusunu ya da aleti yönergelerde belirtilen sıcaklık aralığının dışındaki sıcaklıklarda şarj etmeyin. Uygun olmayan bir şekilde ya da belirtilen sıcaklık aralığının dışında şarj etmek bataryaya zarar verebilir ve yangın riskini artırabilir.

Elektrik ve batarya güvenliği

1. Bataryayı/bataryaları ateş atmayın. Batarya hücresi patlayabilir. Bertaraf etmeye ilişkin özel talimatlar için yerel yönetmelikleri kontrol edin.
2. Batarya/bataryaları açmayın ya da batarya(lar) üzerinde değişiklik yapmayın. Ortaya çıkan elektrolit aşındırıcıdır ve gözlere ya da cilde zarar verebilir. Yutulduğu takdirde zehirli olabilir.
3. Bataryayı yağmurda veya ıslak yerlerde şarj etmeyin.
4. Bataryayı açık alanda şarj etmeyin.
5. Şarj aleti fişi ve şarj aleti terminalleri dahil şarj aletine ıslak ellerle dokunmayın.
6. Bataryayı ıslak ellerle değiştirmeyin.
7. Bataryayı yağmurda değiştirmeyin.
8. Batarya bağlantı uçlarını su gibi sıvılarla ıslatmayın ya da bataryayı sıvılara sokmayın. Bataryayı yağmurda bırakmayın veya bataryayı nemli ya da ıslak yerlerde şarj etmeyin, kullanmayın veya depolamayın. Bağlantı uçları ıslanır veya bataryanın içine sıvı girerse batarya kısa devre olabilir ve aşırı ısınma, yangın veya patlama riski ortaya çıkar.
9. Bataryayı makine veya şarj aletinden çıkardıktan sonra mutlaka kuru bir yerde saklayın.
10. Batarya kartuşu ısınırsa içinden suyu boşaltın ve ardından kuru bir bezle silin. Kullanmadan önce batarya kartuşunu kuru bir yerde tamamen kurulaştırın.

Servis

1. Elektrikli aletinize nitelikli bir onarım elemanı tarafından orijinal parçaları kullanılarak servis verilmesini sağlayın. Bu, elektrikli aletin güvenli kalmasını temin eder.
2. Hasarlı batarya kutularını asla tamir etmeye çalışmayın. Batarya kutularının tamiri sadece üretici veya yetkili servis sağlayıcıları tarafından yapılmalıdır.

BU TALİMATLARI SAKLAYIN.

⚠UYARI: Ürünü kullanırken (defalarca kullanınca kazanılan) rahatlık ve tanıdıklık duygusunuza ilgili ürünün güvenli kullarına sıkı sıkıya bağlı kalmanın yerine geçmesine İZİN VERMEYİN.

YANLIŞ KULLANIM veya bu kullanma kılavuzunda belirtilen emniyet kurallarına uymama ciddi yaralanmaya neden olabilir.

Batarya kartuşu hakkında önemli güvenlik talimatları

1. Batarya kartuşunu kullanmadan önce, tüm talimatları ve (1) batarya kartuşu, (2) batarya ve (3) ürün üzerindeki tüm uyarı işaretlerini okuyun.
2. Batarya kartuşunu parçalarını ayırmayın veya kurcalamayın. Yangın, aşırı ısı veya patlamaya

neden olabilir.

3. **Çalışma süresi aşırı derecede kısalmışsa kullanmayı derhal bırakın. Aşırı ısınma, yanma riski hatta patlamaya neden olabilir.**
 4. **Gözünüze elektrolit kaçarsa, gözlerinizi temiz suyla durulayın ve hemen tıbbi yardım alın. Görme kaybına yol açabilir.**
 5. **Batarya kartuşuna kısa devre yaptırmayın:**
 - (1) **Terminallere herhangi bir iletken madde değdirmeyin.**
 - (2) **Batarya kartuşunu çiviler, madeni paralar, vb. gibi başka metal nesnelere aynı kaba koymaktan kaçının.**
 - (3) **Batarya kartuşunu yağmura ya da suya maruz bırakmayın.**
- Kısa devre, büyük bir akım akışına, aşırı ısınmaya, olası yanıklara hatta bataryanın bozulmasına yol açabilir.**
6. **Aleti ve batarya kartuşunu sıcaklığın 50 °C ya da daha yükseğe ulaştığı yerlerde saklamayın ve kullanmayın.**
 7. **Aşırı derecede hasar görmüş ya da tamamen kullanılamaz durumda olsa bile batarya kartuşunu yakmayın. Batarya kartuşu ateşe atılırsa patlayabilir.**
 8. **Batarya kartuşunu çivilemeyin, kesmeyin, ezmeyin, fırlatmayın, düşürmeyin ya da batarya kartuşuna sert bir nesne ile vurmayın.** Bu eylemler yangın, aşırı ısı veya patlamaya neden olabilir.
 9. **Hasarlı bataryayı kullanmayın.**
 10. **Aletin içerdiği lityum-iyon bataryalar Tehlikeli Eşyalar Yönetmeliğinin gereksinimlerine tabidir.**

Ticari nakliye işlemleri için, örneğin üçüncü taraflar, nakliye acenteleri tarafından yapılan nakliyelerde, paketleme ve etiketleme gereksinimlerine uyulmalıdır.

Nakliyesi yapılacak ürünün hazırlanması için, tehlikeli maddeler konusunda uzman bir kişiye danışın. Lütfen muhtemelen daha ayrıntılı olan ulusal yönetmeliklere de uyun.

Açık kontakları bantlayın ya da maskeleyin ve bataryayı paketin içinde hareket etmeyecek şekilde paketleyin.
 11. **Batarya kartuşunu bertaraf ederken aletten çıkarın ve güvenli bir yerde bertaraf edin. Bataryanın bertaraf edilmesi ile ilgili yerel düzenlemelere uyunuz.**
 12. **Bataryaları sadece Makita tarafından belirtilen ürünlerle kullanın.** Bataryaların uyumsuz ürünlere takılması; yangın, aşırı ısınma, patlama ya da elektrolit sızıntısına neden olabilir.
 13. **Alet uzun süre kullanılmayacaksa batarya aletten çıkarılmalıdır.**
 14. **Kullanma sırasında ve sonrasında batarya kartuşu ısınarak yanıklara veya düşük sıcaklık yanıklarına yol açabilir. Sıcak batarya kartuşları ile işlem yaparken dikkat edin.**
 15. **Yanıklara neden olabilecek kadar sıcak olabileceğinden kullandıktan hemen sonra aletin terminaline dokunmayın.**
 16. **Batarya kartuşunun terminallerine, deliklerine ve kanallarına micir, toz veya toprak girmesine**

izin vermeyin. Aletin veya batarya kartuşunun ısınmasına, alev almasına, patlamasına ve arızalanmasına neden olarak yanıklara veya yaralanmaya yol açabilir.

17. **Alet yüksek gerilim elektrik güç hatlarında kullanımı desteklemediği sürece batarya kartuşunu yüksek gerilim elektrik güç hatlarının yakınında kullanmayın.** Aletin veya batarya kartuşunun arızalanmasına veya bozulmasına neden olabilir.
18. **Bataryayı çocuklardan uzak tutun.**

BU TALİMATLARI MUHAFAZA EDİNİZ.

⚠DİKKAT: Sadece orijinal Makita bataryalarını kullanın. Orijinal olmayan Makita bataryaları ya da üzerine değişiklik yapılmış bataryaların kullanımı bataryanın patlamasına ve sonuç olarak yangın, kişisel yaralanma ve hasara neden olabilir. Ayrıca Makita aleti ve şarj aletinin Makita tarafından sunulan garantisini geçersiz olur.

Maksimum batarya ömrü için ipuçları

1. **Batarya kartuşunu tamamen boşalmadan önce şarj edin. Aletin gücünün zayıflamaya başladığını fark ettiğinizde aleti durdurun ve batarya kartuşunu şarj edin.**
2. **Tam dolu bir batarya kartuşunu asla yeniden şarj etmeyin. Aşırı şarj etme bataryanın hizmet ömrünü kısaltır.**
3. **Batarya kartuşunu 10 °C - 40 °C oda sıcaklığında şarj edin. Sıcak bir batarya kartuşunu şarj etmeden önce soğumasını bekleyin.**
4. **Batarya kartuşunu kullanılmıyorken aletten veya şarj aletinden çıkarın.**
5. **Uzun bir süre (altı aydan daha fazla) kullanmadığınız durumlarda batarya kartuşunu şarj edin.**

MONTAJ

⚠DİKKAT: Makine üzerinde herhangi bir işlem yapmadan önce tüm batarya kartuşlarını çıkardığınızdan mutlaka emin olun. Tüm batarya kartuşlarının çıkarılması istemsiz olarak aletin başlatılması sonucu ciddi yaralanmalara neden olabilir.

Üfleme makinesi borularının monte edilmesi

1. Sıkıştırma vidasını gevşetin.
▶ **Şek.2:** 1. Sıkıştırma vidası
2. Kumanda kolunu döner boruya takın ve sıkıştırma vidasını sıkın. Kumanda kolunu ok işaretlerini geçecek kadar ileri konumlandırmamaya dikkat edin.
▶ **Şek.3:** 1. Kumanda kolu 2. Döner boru 3. Sıkıştırma vidası 4. Ok işaretleri

ÖNEMLİ NOT: Kumanda kolunu döner boruya takarken kumanda kolunun kablosunu bükme-
meye dikkat edin.

3. Hortum kelepçesindeki vidayı gevşetin ve ardından hortum kelepçesini uç nozula takın. Uç nozul üzerindeki girintileri döner boru üzerindeki çıkıntılarla hizalayın, ardından uç nozulu döner boruya takın ve daha sonra hortum kelepçesindeki vidayı sıkın.

► **Şek.4:** 1. Uç nozul 2. Hortum kelepçesi 3. Döner boru 4. Girinti 5. Çıkıntı 6. Vida

4. Hortum kelepçesindeki vidayı gevşetin, ardından nozul kolunu hortum kelepçesine takın ve daha sonra hortum kelepçesini esnek boruya takın. Döner boruyu esnek boruya takın ve ardından hortum kelepçesindeki vidayı sıkın.

► **Şek.5:** 1. Döner boru 2. Nozul kolu 3. Hortum kelepçesi 4. Esnek boru 5. Vida

5. Hortum kelepçesinin üzerindeki vidayı gevşetin ve ardından hortum kelepçesini esnek boruya takın. Esnek boruyu dirseğe takın ve ardından hortum kelepçesinin üzerindeki vidayı sıkın.

► **Şek.6:** 1. Esnek boru 2. Hortum kelepçesi 3. Dirsek

ÖNEMLİ NOT: Hortum kelepçesindeki vidanın şekilde gösterildiği gibi dışı doğru bakmadığından emin olun.

► **Şek.7:** 1. Vida

6. Kumanda kablosunu kablo tutucularına tutturun.

► **Şek.8:** 1. Kablo tutucu 2. Kontrol kablosu

ÖNEMLİ NOT: Kumanda kablosunun kablo tutucuya sıkıca sabitlendiğinden emin olun.

Kemer ve omuz askısının ayarlanması

1. Makineyi geçirinize takın, daha sonra bel kemerinin tokasını geçirin ve ardından bel kemerinin uzunluğunu ayarlayın.

► **Şek.9:** 1. Toka

2. Omuz askısının uzunluğunu ayarlayın.

► **Şek.10:** 1. Omuz askısı

Kumanda kolu konumunun ayarlanması

Sıkıştırma vidasını gevşetin. Kumanda kolunu döner boru boyunca en rahat konuma getirin ve ardından sıkıştırma vidasını sıkın.

Kolu ok işaretlerinin ötesine geçirmeyin.

► **Şek.11:** 1. Kumanda kolu 2. Döner boru 3. Sıkıştırma vidası 4. Ok işaretleri

Yayma kapağının takılması

Şekilde gösterildiği gibi yayma kapağını uç nozula takarak ilacı yayabilirsiniz.

► **Şek.12:** 1. Yayma kapağı

Saptırıcının takılması

İsteğe bağlı aksesuar

Şekilde gösterildiği gibi deflektörü uç nozula takarak ilacı yukarı veya aşağı doğru püskürtebilirsiniz.

► **Şek.13:** 1. Saptırıcı

İŞLEVSEL NİTELİKLER

⚠DİKKAT: Makine üzerinde ayarlama ya da işle-
yiş kontrolü yapmadan önce makinenin kapalı ve
tüm batarya kartuşlarının çıkarılmış olduğundan
daima emin olun.

Batarya kartuşunun takılması ve çıkarılması

⚠DİKKAT: Batarya kartuşunu takıp çıkarmadan
önce makineyi mutlaka kapatın.

⚠DİKKAT: Batarya kartuşunu takarken veya
çıkartırken makine ve batarya kartuşunu sıkıca
tutun. Makinenin ve batarya kartuşunun sıkıca
tutulmaması bunların düşürülmesine sebep olabilir;
makine ve batarya kartuşunun zarar görmesine ya da
ciddi yaralanmalara yol açabilir.

⚠DİKKAT: Kullanmadan önce batarya kapağını
kilitlediğinizden emin olunuz. Aksi takdirde; çamur,
kir veya su ürüne ya da batarya kartuşuna zarar
verebilir.

⚠DİKKAT: Batarya kartuşunu her zaman kırmızı
gösterge görünmeyecek şekilde tam olarak yerine
oturtun. Aksi takdirde, makineden kayıp düşebilir ve
operatörün veya çevredeki kişilerin yaralanmasına
neden olabilir.

⚠DİKKAT: Batarya kartuşunu zorlayarak tak-
maya çalışmayın. Kartuş kolayca kaymıyorsa doğru
yerleştirilmemiş demektir.

⚠DİKKAT: Batarya kartuşunu takarken veya
çıkartırken batarya kapağını sıkıca tutun.

Batarya kartuşunu takmak için;

1. Kilitleme kolunu yukarı doğru çekin ve ardından batarya kapağını açın.

► **Şek.14:** 1. Kilitleme kolu 2. Batarya kapağı

2. Batarya kartuşunun üzerindeki dili makinenin üzerindeki yuvayla hizalayın ve ardından kartuşu hafif bir tık sesi duyulup yerine kilitlene kadar kaydırın.

► **Şek.15:** 1. Batarya kartuşu

3. Batarya kapağını kapatın ve kilitleme kolu ile iterek kilitlene kadar itin.

Batarya kartuşunu çıkarmak için;

1. Kilitleme kolunu yukarı çekin ve batarya kapağını açın.

2. Kartuşun ön tarafındaki düğmeyi kaydırarak batarya kartuşunu makineden çekip çıkarın.

► **Şek.16:** 1. Batarya kartuşu

3. Batarya kapağını kapatın.

Batarya kontrol düğmesi

Batarya kontrol düğmesine basarak kalan batarya kapasitesini kontrol edebilirsiniz.

► **Şek.17:** 1. Batarya göstergesi 2. Batarya kontrol düğmesi

Batarya göstergesi durumu			Kalan pil kapasitesi
Açık	Kapalı	Yanıp sönüyor	
			%50 ila %100
			%20 ila %50
			%0 ila %20

NOT: Kalan batarya kapasitesi gösterge lambası yalnızca referans amaçlıdır. Gerçek batarya kapasitesi, kullanım koşullarına veya ortam sıcaklığına bağlı olarak değişebilir.

NOT: Makine çalışırken kontrol düğmesine basarsanız bile gösterge lambası yanmaz.

NOT: Lamba birkaç saniye sonra otomatik olarak söner.

NOT: İki batarya kartuşu takılıysa önce sağ tarafa takılı olan batarya kullanılır.

NOT: İki batarya kartuşu takılıysa kullanımda olan batarya boşaldığında makine otomatik olarak batarya değiştirir.

Kalan batarya kapasitesinin gösterilmesi

Kalan batarya kapasitesini göstermesi için batarya kartuşu üzerindeki kontrol düğmesine basın. Gösterge lambaları birkaç saniye yanar.

► **Şek.18:** 1. Gösterge lambaları 2. Kontrol düğmesi

Gösterge lambaları			Kalan kapasite
Yanıyor	Kapalı	Yanıp sönüyor	
			%75 ila %100
			%50 ila %75
			%25 ila %50
			%0 ila %25
			Bataryayı şarj edin.

Gösterge lambaları			Kalan kapasite
Yanıyor	Kapalı	Yanıp sönüyor	
			Batarya arızalanmış olabilir.

NOT: Kullanım koşullarına ve ortam sıcaklığına bağlı olarak, gösterilen değer gerçek kapasiteden biraz farklılık gösterebilir.

NOT: İlk (en soldaki) gösterge lambası, batarya koruma sistemi çalıştığında yanıp söner.

Makine/batarya koruma sistemi

Makine bir makine/batarya koruma sistemi ile donatılmıştır. Bu sistem makine ve batarya ömrünü uzatmak için motorun gücünü otomatik olarak keser. Makine veya batarya için aşağıdaki durumlardan biri söz konusu olduğunda makinenin işleyişi otomatik olarak durur:

Aşırı yük koruması

Makine veya batarya, anormal derecede yüksek akım çekmesine neden olacak şekilde kullanıldığında, makine otomatik olarak durur ve ana güç lambası yeşil yanıp söner. Bu durumda makineyi kapatın ve makinenin aşırı yüklenmesine neden olan uygulamayı kesin. Ardından makineyi açarak yeniden çalıştırın.

Aşırı ısınma koruması

Makine aşırı ısındığında makine otomatik olarak durur ve ana güç lambası kırmızı yanar. Bu durumda, yeniden çalıştırmadan önce makine ve bataryanın soğumasını bekleyin.

NOT: Batarya aşırı ısındığında ana güç lambası kırmızı yanıp söner.

Aşırı deşarj koruması

Batarya kapasitesi yeterli değilse makine otomatik olarak durur ve ana güç lambası kırmızı yanıp söner. Bu durumda, bataryayı makineden çıkarın ve bataryayı şarj edin veya bataryayı tam şarjlı olanla değiştirin.

Diğer nedenlere karşı korumalar

Koruma sistemi, makineye zarar verebilecek diğer nedenler için de tasarlanmıştır ve makinenin otomatik olarak durmasını sağlar. Makine çalışırken geçici duraklama veya durma yaparsa nedenleri ortadan kaldırmak için aşağıdaki tüm adımları uygulayın.

1. Makineyi kapatın ve ardından tekrar açarak yeniden çalıştırın.
2. Bataryaları şarj edin veya şarjlı bataryalarla değiştirin.
3. Makinenin ve bataryaların soğumasını bekleyin.

Koruma sistemi eski haline getirilerek ilerleme kaydedilemezse yerel Makita Servis Merkezimize başvurun.

ÖNEMLİ NOT: Makine yukarıda açıklanmayan bir nedenle durursa sorun giderme kısmına bakın.

Ana güç anahtarı

UYARI: Kullanımda değilken ana güç anahtarını daima kapatın.

Makineyi açmak için, ana güç anahtarına basın. Lambalar yeşil yanar. Kapatmak için lambalar sönene kadar ana güç anahtarına basın ve basılı tutun.

► **Şek.19:** 1. Hız göstergesi 2. Ana güç anahtarı

Hız üç seviyede değiştirilebilir. Hız modunu değiştirmek için ana güç anahtarına basın. Hız modunu değiştirdiğinizde ilgili hız göstergeleri yanar.

NOT: Makine otomatik güç kapama fonksiyonu kullanır. Yanlışlıkla çalışmaları engellemek için ana güç anahtarı açıldıktan sonra belirli bir süre boyunca makine çalıştırılmazsa ana güç anahtarı otomatik olarak kapanır.

NOT: Ana güç lambası kırmızı yanar veya kırmızı ya da yeşil yanıp sönerse makine/batarya koruma sistemi için talimatlara bakın.

Anahtar işlemi

UYARI: Batarya kartuşunu makineye takmadan önce, anahtar tetiğin düzgün çalışıp çalışmadığını ve bırakıldığında kapalı konumuna dönüp dönmediğini daima kontrol edin.

Makineyi başlatmak için çalıştırma kolunu çekerken anahtar tetiği çekin. Hız, anahtar tetiğe uygulanan basınç artırılarak artar. Durdurmak için anahtar tetiği bırakın.

► **Şek.20:** 1. Anahtar tetik 2. Çalıştırma kolu

Kolların açılması ve kapatılması

Makine üç kol ile donatılmıştır.

Nozul kolu

Nozul kolu ilaç püskürtmek için kullanılır. Normal şartlarda nozul kolunu kapatın ve nozul kolunu sadece ilaç püskürtürken açın.

► **Şek.21:** 1. Kapalı 2. Açık

Boşaltma kolu

Boşaltma kolu depodaki sıvıyı boşaltmak için kullanılır. Makineyi çalıştırırken daima kolu kapatın.

► **Şek.22:** 1. Kapalı 2. Açık

Depo kolu

Depo kolu filtreyi değiştirirken kullanılır. Makineyi çalıştırırken daima kolu açın.

► **Şek.23:** 1. Kapalı 2. Açık

Besleme miktarı ayar düğmesi

Uç nozula beslenen sıvının miktarını ayarlayabilirsiniz. Maksimum miktarda sıvı beslemek için düğmeyi, "4"

rakamı üçgen işaretiyle hizalanacak şekilde çevirin. Minimum miktarda sıvı beslemek için düğmeyi, "1" rakamı üçgen işaretiyle hizalanacak şekilde çevirin.

► **Şek.24:** 1. Besleme miktarı ayar düğmesi 2. Üçgen işareti

Elektronik fonksiyonu

Makine, kolay kullanım için elektronik fonksiyonla donatılmıştır.

- Sabit hız kontrolü
Hız kontrol fonksiyonu, yük koşullarından bağımsız olarak sabit devir hızı sağlar.
- Besleme valfi işlevi
Makine besleme valfi ile donatılmıştır. Besleme valfi, anahtar tetik çekildiğinde depodaki sıvıyı beslemek için otomatik olarak açılır ve anahtar tetik bırakıldığında otomatik olarak kapanır.

İstemsiz yeniden başlatma önleyici işlev

Çalıştırma kolu ve anahtar tetiği çekerken makineyi açtığınızda makine çalışmaz ve ana güç lambası yeşil yanıp söner. Makineyi çalıştırmak için önce anahtar tetiği bırakın ve ardından makineyi açın.

KULLANIM

⚠DİKKAT: Makineyi üzerinize takarken omuz askısını her iki omzunuza taktığınızdan emin olun. Aksi takdirde makineyi sırtınıza taktığınızda veya kullanırken makine düşebilir ve yaralanmaya neden olabilir.

⚠DİKKAT: Makineyi üzerinize takarken makineyi sırtınıza taktığınızdan emin olun. Aksi takdirde kullanım sırasında makine düşerek yaralanmaya neden olabilir.

⚠DİKKAT: Makineyi çalışırken yere koymayın. Emme girişinden kum veya toz girerek arıza veya yaralanmaya neden olabilir.

Makineyi çalıştırmadan önce omuz askısı ve bel kemerinin uzunluğunu ayarlayın.

1. Makineyi düz ve dengeli bir yüzeye yerleştirin.
2. Kolların aşağıdaki konumlarda olduklarından emin olun.

• Boşaltma kolu kapalı konumda.

► **Şek.25:** 1. Boşaltma kolu

• Depo kolu açık konumda.

► **Şek.26:** 1. Depo kolu

• Nozul kolu kapalı konumda.

► **Şek.27:** 1. Nozul kolu

3. Depo kapağını açın ve ardından süzgeci yerleştirin.

► **Şek.28:** 1. Depo kapağı 2. Süzgeç

4. Sıvıyı depoya dökün ve ardından depo kapağını sıkın.

► **Şek.29**

5. Makineyi sırtınıza takın, ardından bel kemerinin tokasını kilitleyin.

6. Nozul kolu açık konumda olacak şekilde nozul kolunu çevirin.

► **Şek.30:** 1. Nozul kolu

7. Makineyi açın ve ardından kumanda kolunu sıkıca tutun ve ilaç püskürtme işlemini gerçekleştirin.

Çalışmadan sonra nozul kolu kapalı konumda olacak şekilde nozul kolunu çevirin.

Makineyi bırakırken bel kemerinin tokasını açın ve ardından makineyi yavaşça bırakın.

► **Şek.31:** 1. Toka

NOT: Şekilde gösterildiği gibi süzgeci çevirerek depodaki sıvıyı karıştırabilirsiniz.

► **Şek.32:** 1. Süzgeç

BAKIM

⚠ DİKKAT: Makineyi saklamadan veya taşımadan ya da kontrol veya bakım yapmadan önce tüm batarya kartuşlarının makineden çıkarıldığını daima emin olun.

Aleti EMNİYETLİ ve ÇALIŞMAYA HAZIR durumda tutmak için onarımlar, başka her türlü bakım ve ayarlamalar daima Makita yedek parçaları kullanılarak Makita yetkili servis merkezleri veya Fabrikanın Servis Merkezleri tarafından yapılmalıdır.

Sıvının boşaltılması

Depodaki sıvıyı boşaltırken hortumu ana üniteden çıkarın ve ardından boşaltma kolunu açarak depodaki sıvıyı kaba boşaltın. Sıvıyı boşalttıktan sonra mutlaka boşaltma kolunu kapatın ve hortumu ana üniteye takın.

► **Şek.33:** 1. Boşaltma kolu 2. Hortum

NOT: Depoyu tamamen boşaltmak için ana üniteyi hortumun çıkışına doğru hafifçe yatırın.

Makinenin temizlenmesi

ÖNEMLİ NOT: Benzin, tiner, alkol ve benzeri maddeleri kesinlikle kullanmayın. Renk değişimi, deformasyon veya çatlaklar oluşabilir.

Makineyi kuru bir bezle veya sabunlu suya batırılıp sıkılmış bir bezle silerek tozunu alın.

Emme girişinden toz veya kirleri temizleyin.

► **Şek.34:** 1. Emme girişi

SORUN GİDERME

Onarım için servise gitmeden önce kendi kontrollerinizi yapın. Kılavuzda açıklanmayan bir problemle karşılaşırsanız makineyi demonte etmeyin. Bunun yerine, onarım için daima orijinal Makita yedek parçaları kullanan Makita yetkili servis merkezlerine başvurun.

Filtrenin temizlenmesi

Filtreyi düzenli olarak temizleyin. Filtreyi temizlemek için aşağıdaki adımları izleyin.

1. Batarya kartuşlarını çıkarın ve ardından depo kolunu kapatın.

2. Saatin aksi yönünde çevirerek filtre kapağını çıkarın ve ardından filtreyi çıkarın.

► **Şek.35:** 1. Filtre kapağı 2. Filtre

3. Filtreyi akan su ile temizleyin.

4. Filtreyi ana üniteye takın ve ardından filtre kapağını sıkın.

5. Depo kolunu açın.

Saklama

Makineyi saklamadan önce, tam bir bakım yapın. Makineyi çocukların erişemeyeceği ve nem, yağmur veya doğrudan güneş ışığına maruz kalmayan bir yerde saklayın.

Boruyu dik tutmak için borunun kayışını makineye şekilde gösterildiği gibi bağlayabilirsiniz.

► **Şek.36:** 1. Kayış

Nozulun değiştirilmesi

Standart nozulu ULV (Ultra Düşük Hacimli) nozulla değiştirebilirsiniz. ULV nozul, ilacı standart nozula göre daha ince bir şekilde püskürtebilir. Nozulu değiştirmek için aşağıdaki adımları izleyin.

1. Vidayı gevşetin ve çıkarın ve ardından uç nozulun ön tarafını çıkarın.

► **Şek.37:** 1. Vida 2. Uç nozul

2. Anahtarla nozulu saatin aksi yönünde çevirerek standart nozulu çıkarın.

► **Şek.38:** 1. Anahtar 2. Standart nozul

3. Standart nozuldan O halka contayı çıkarın ve ardından contayı ULV nozula takın.

► **Şek.39:** 1. O halka conta 2. Standart nozul 3. ULV nozul

4. Anahtarla nozulu saat yönünde çevirerek ULV nozulu takın.

► **Şek.40:** 1. Anahtar 2. ULV nozul

ÖNEMLİ NOT: Nozulu çok fazla sıkmayın. Önerilen sıkma torku yaklaşık 1,0 N·m'dir. Nozulun çok fazla sıkılması nozulun montaj kısmına zarar verebilir.

5. Uç nozulu takın ve ardından vidayı sıkın.

► **Şek.41:** 1. Vida 2. Uç nozul

Anormal durum	Olası nedeni (arıza)	Çözümü
Motor çalışmıyor.	Batarya takılı değil.	Bataryayı takın.
	Batarya sorunu (voltaj yetersiz)	Bataryayı şarj edin. Şarj etmek işe yaramıyorsa, bataryayı değiştirin.
	Sürüş sistemi doğru işlemiyor.	Yerel yetkili servis merkezinizden tamir etmelerini isteyin.
Kısa bir kullanımdan sonra motor duruyor.	Bataryanın şarj seviyesi düşük.	Bataryayı şarj edin. Şarj etmek işe yaramıyorsa, bataryayı değiştirin.
	Aşırı ısınma.	Makineyi kullanmayı durdurun ve soğumasını bekleyin.
İlaç püskürtülüyor.	Depo boş.	Depoya sıvı doldurun.
	Nozul kolu veya depo kolu kapalı.	Nozul kolunu ve depo kolunu açın.
	Nozul tıkalı.	Standart nozul veya ULV nozulu çıkarın ve ardından nozulu akan suyla temizleyerek tıkalı malzemeyi çıkarın.
	Filtre tıkalı.	Filtreyi çıkarın ve ardından filtreyi akan suyla temizleyerek tıkalı malzemeyi çıkarın.
Makine maksimum hıza ulaşmıyor.	Batarya düzgün takılmamış.	Bataryayı bu kılavuzda açıklandığı gibi takın.
	Batarya gücü düşüyor.	Bataryayı şarj edin. Şarj etmek işe yaramıyorsa, bataryayı değiştirin.
	Sürüş sistemi doğru işlemiyor.	Yerel yetkili servis merkezinizden tamir etmelerini isteyin.
Olağan dışı titreşim: ⇒ makineyi hemen durdurun!	Sürüş sistemi doğru işlemiyor.	Yerel yetkili servis merkezinizden tamir etmelerini isteyin.
Motor durdurulamıyor: ⇒ Bataryayı hemen çıkarın!	Elektriksel veya elektronik arıza.	Bataryayı çıkarın ve yerel yetkili servis merkezinizden tamir etmelerini isteyin.

İSTEĞE BAĞLI AKSESUARLAR

⚠ DİKKAT: Bu kullanım kılavuzunda belirtilen Makita ürünüyle aşağıdaki aksesuarların ve parçaların kullanılması önerilir. Başka her türlü aksesuar veya ek parça kullanımı yaralanma riski teşkil edebilir. Aksesuar veya ek parçayı mutlaka amacına uygun kullanın.

Bu aksesuarlarla ilgili daha fazla bilgiye ihtiyaç duyar sanız bulunduğunuz yerdeki yetkili Makita servisine başvurun.

- Saptırıcı
- Orijinal Makita batarya ve şarj aleti

NOT: Listedeki bazı kalemler ürünün ambalajında standart aksesuar olarak yer alabilir. Bunlar ülkeden ülkeye değişebilir.

Makita Europe N.V.

Jan-Baptist Vinkstraat 2, 3070 Kortenberg, Belgium

Makita Corporation

3-11-8, Sumiyoshi-cho, Anjo, Aichi 446-8502 Japan

www.makita.com



885A15B999
EN, FR, DE, IT, NL,
ES, PT, EL, TR
20240529