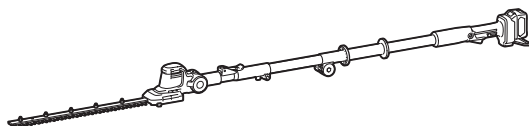




<b>EN</b>	Cordless Pole Hedge Trimmer	<b>INSTRUCTION MANUAL</b>	<b>6</b>
<b>SV</b>	Batteridrivnen stånghäcksax	<b>BRUKSANVISNING</b>	<b>15</b>
<b>NO</b>	Batteridrevet stanghekktrimmer	<b>BRUKSANVISNING</b>	<b>25</b>
<b>FI</b>	Akkukäyttöinen varsipensasleikkuri	<b>KÄYTTÖOHJE</b>	<b>34</b>
<b>DA</b>	Akku stanghækketrimmer	<b>BRUGSANVISNING</b>	<b>43</b>
<b>LV</b>	Bezvadu dzīvžoga griezējs ar kātu	<b>LIETOŠANAS INSTRUKCIJA</b>	<b>53</b>
<b>LT</b>	Akumuliatorinės vamzdinės gyvatvorių žirklys	<b>NAUDOJIMO INSTRUKCIJA</b>	<b>62</b>
<b>ET</b>	Teleskoopvarrega juhtmeta hekilõikur	<b>KASUTUSJUHEND</b>	<b>72</b>
<b>RU</b>	Акумуляторный Штанговый Кусторез	<b>РУКОВОДСТВО ПО ЭКСПЛУАТАЦИИ</b>	<b>81</b>

## UN460WD



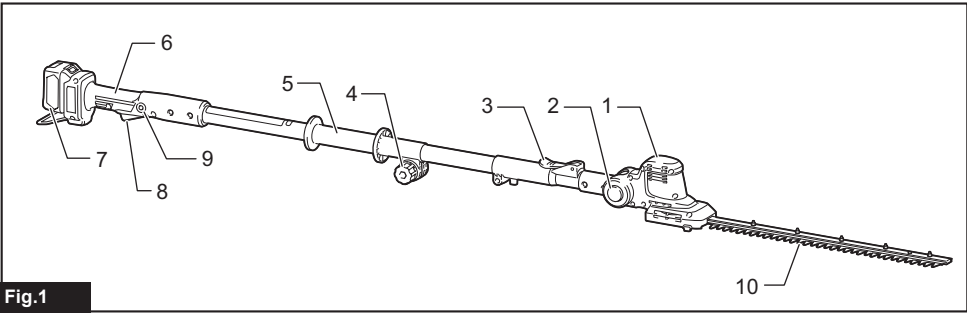


Fig.1

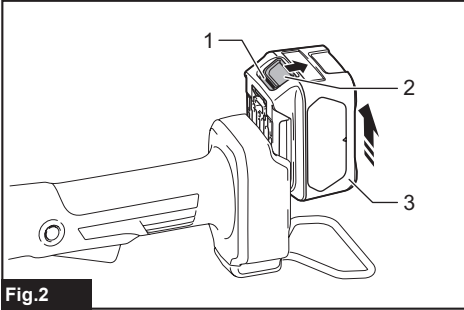


Fig.2

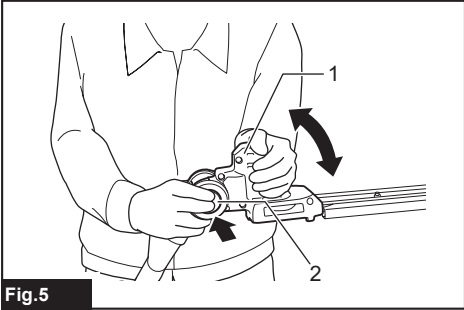


Fig.5

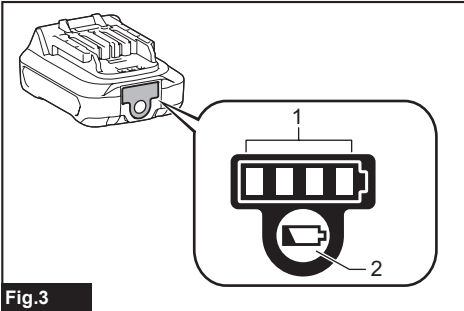


Fig.3

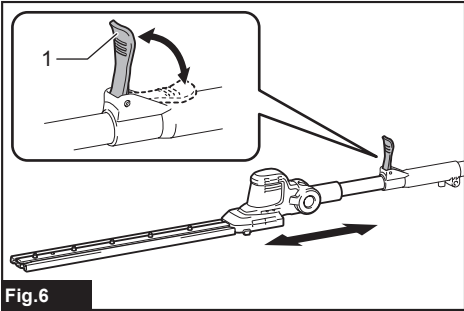


Fig.6

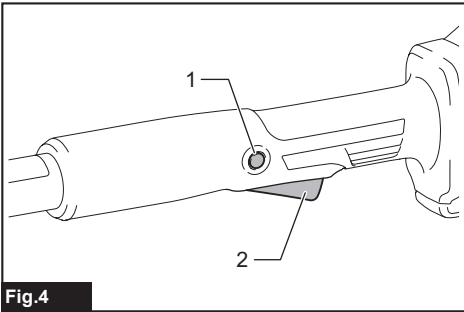


Fig.4

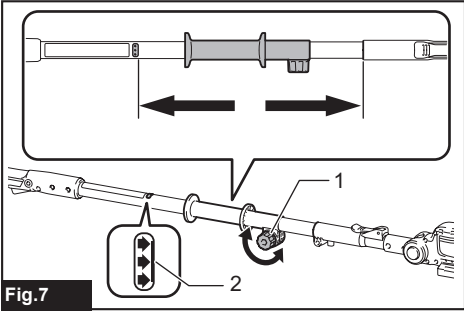
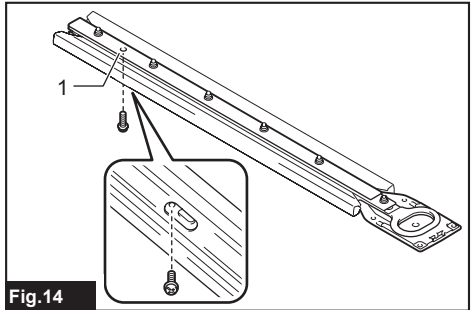
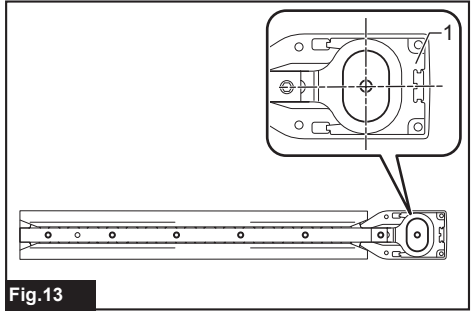
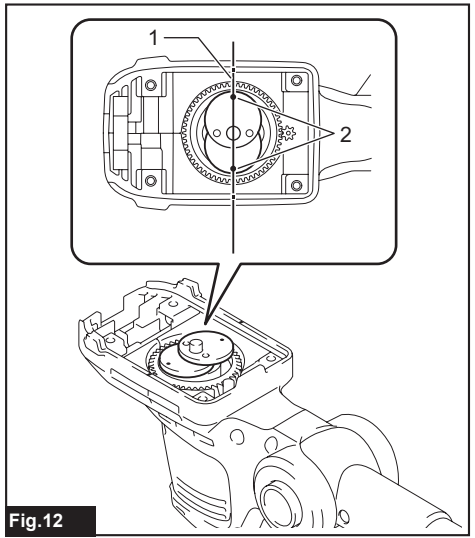
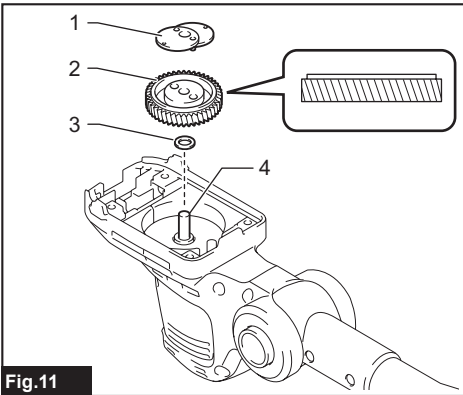
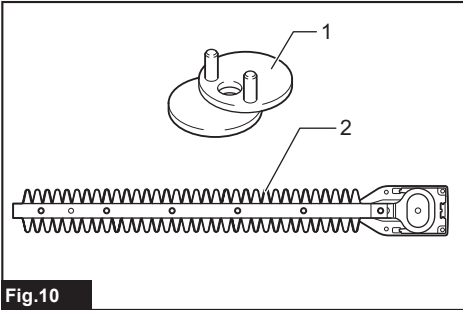
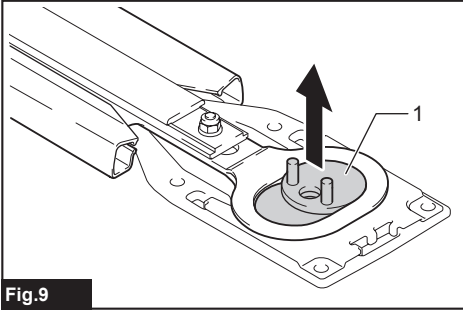
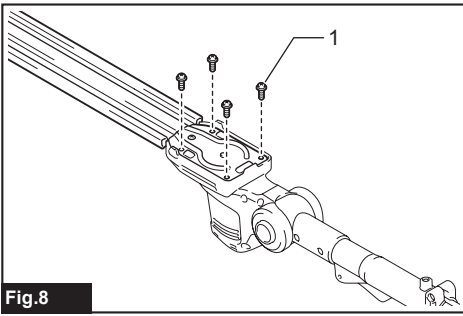


Fig.7



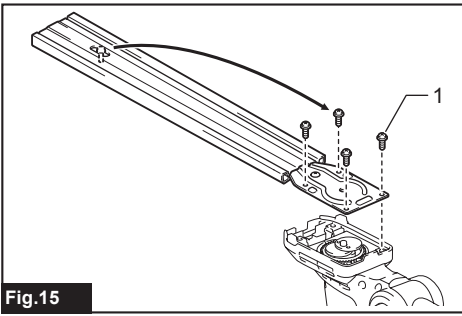


Fig. 15

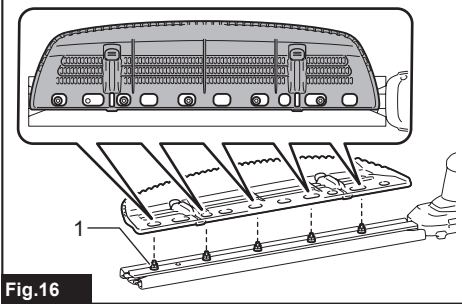


Fig. 16

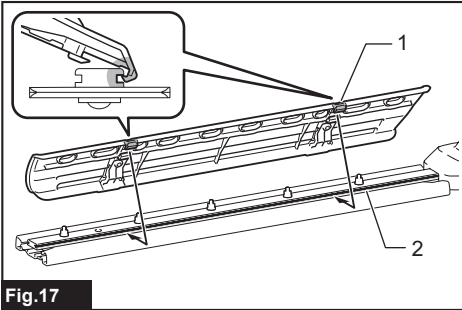


Fig. 17

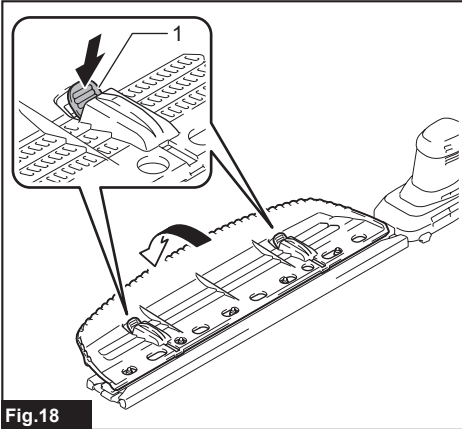


Fig. 18

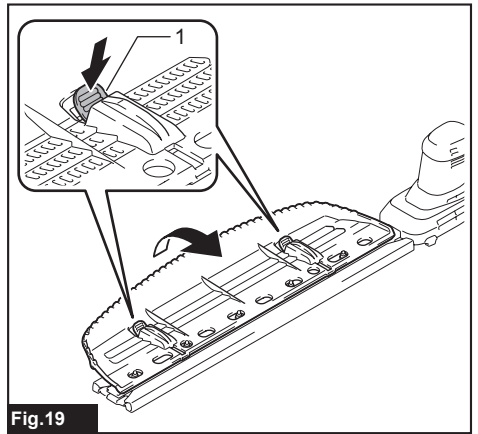


Fig. 19

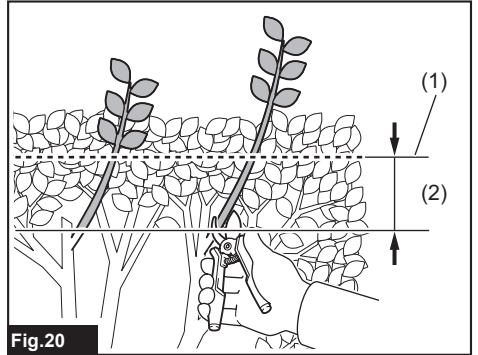


Fig. 20

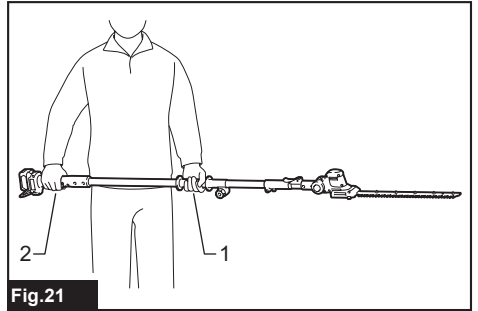


Fig. 21

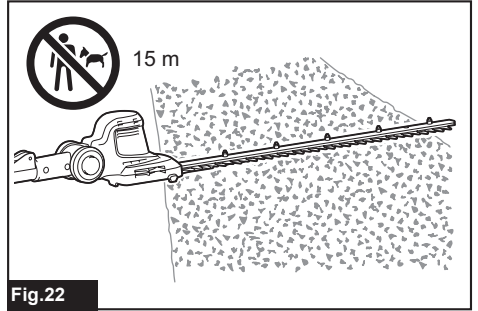
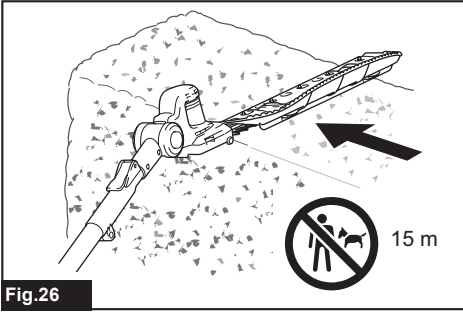
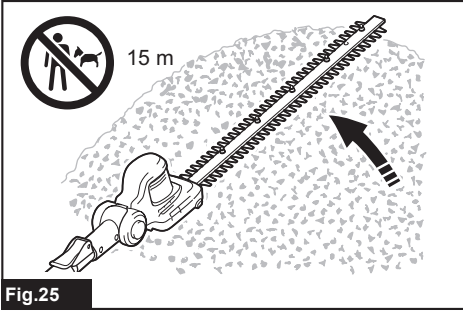
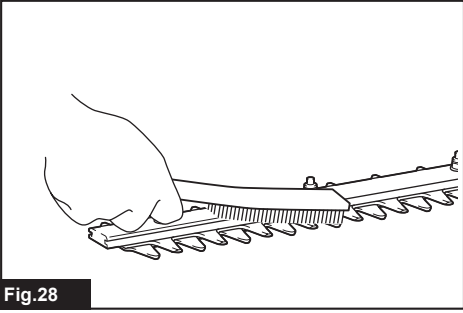
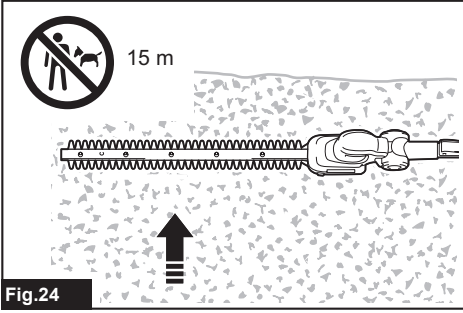
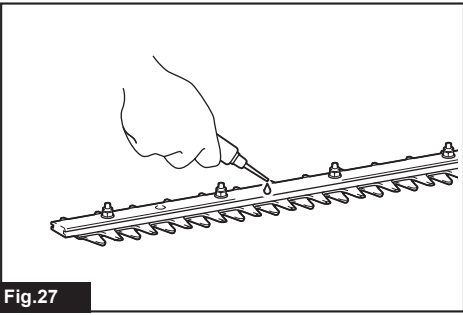
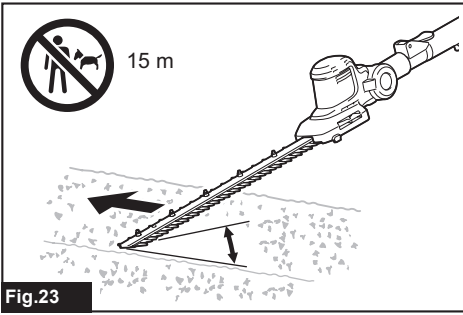


Fig. 22



# SPECIFICATIONS

Model:	UN460WD
Blade length	460 mm
Strokes per minute	3,600 min <sup>-1</sup>
Cutting blade angle	135° (up 60°, down 75°)
Overall length	1,889 - 2,511 mm
Rated voltage	D.C. 10.8 V - 12 V max
Net weight	2.8 - 3.0 kg

- Due to our continuing program of research and development, the specifications herein are subject to change without notice.
- Specifications may differ from country to country.
- The weight may differ depending on the attachment(s), including the battery cartridge. The lightest and heaviest combination, according to EPA-Procedure 01/2014, are shown in the table.

## Applicable battery cartridge and charger





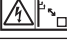

Battery cartridge	BL1016 / BL1021B / BL1041B
Charger	DC10SA / DC10SB / DC10WC / DC10WD / DC18RE

- Some of the battery cartridges and chargers listed above may not be available depending on your region of residence.

**⚠ WARNING: Only use the battery cartridges and chargers listed above.** Use of any other battery cartridges and chargers may cause injury and/or fire.

## Symbols

The followings show the symbols which may be used for the equipment. Be sure that you understand their meaning before use.

	Read instruction manual.
	Do not expose to moisture.
	Wear a helmet, goggles and ear protection.
	DANGER - Keep hands away from blade.
	Beware of electrical lines, risk of electrical shock.
	Keep distance at least 15 m.



Only for EU countries  
 Due to the presence of hazardous components in the equipment, waste electrical and electronic equipment, accumulators and batteries may have a negative impact on the environment and human health. Do not dispose of electrical and electronic appliances or batteries with household waste!

In accordance with the European Directive on waste electrical and electronic equipment and on accumulators and batteries and waste accumulators and batteries, as well as their adaptation to national law, waste electrical equipment, batteries and accumulators should be stored separately and delivered to a separate collection point for municipal waste, operating in accordance with the regulations on environmental protection.

This is indicated by the symbol of the crossed-out wheeled bin placed on the equipment.



Guaranteed sound power level according to EU Outdoor Noise Directive.



Sound power level according to Australia NSW Noise Control Regulation

## Intended use

The tool is intended for trimming hedges.

## Noise

The typical A-weighted noise level determined according to EN62841-4-2:

Sound pressure level ( $L_{pA}$ ) : 74 dB(A)

Uncertainty (K) : 3 dB(A)

The noise level under working may exceed 80 dB (A).

**NOTE:** The declared noise emission value(s) has been measured in accordance with a standard test method and may be used for comparing one tool with another.

**NOTE:** The declared noise emission value(s) may also be used in a preliminary assessment of exposure.

**⚠WARNING:** Wear ear protection.

**⚠WARNING:** The noise emission during actual use of the power tool can differ from the declared value(s) depending on the ways in which the tool is used especially what kind of workpiece is processed.

**⚠WARNING:** Be sure to identify safety measures to protect the operator that are based on an estimation of exposure in the actual conditions of use (taking account of all parts of the operating cycle such as the times when the tool is switched off and when it is running idle in addition to the trigger time).

## Vibration

Applicable standard : EN62841-4-2

Left hand (Front grip)		Right hand (Rear grip)	
$a_h$ (m/s <sup>2</sup> )	Uncertainty K (m/s <sup>2</sup> )	$a_h$ (m/s <sup>2</sup> )	Uncertainty K (m/s <sup>2</sup> )
2.5 m/s <sup>2</sup> or less	1.5	2.5 m/s <sup>2</sup> or less	1.5

**NOTE:** The declared vibration total value(s) has been measured in accordance with a standard test method and may be used for comparing one tool with another.

**NOTE:** The declared vibration total value(s) may also be used in a preliminary assessment of exposure.

**⚠WARNING:** The vibration emission during actual use of the power tool can differ from the declared value(s) depending on the ways in which the tool is used especially what kind of workpiece is processed.

**⚠WARNING:** Be sure to identify safety measures to protect the operator that are based on an estimation of exposure in the actual conditions of use (taking account of all parts of the operating cycle such as the times when the tool is switched off and when it is running idle in addition to the trigger time).

## EC Declaration of Conformity

*For European countries only*

The EC declaration of conformity is included as Annex A to this instruction manual.

## SAFETY WARNINGS

### General power tool safety warnings

**⚠WARNING:** Read all safety warnings, instructions, illustrations and specifications provided with this power tool. Failure to follow all instructions listed below may result in electric shock, fire and/or serious injury.

### Save all warnings and instructions for future reference.

The term "power tool" in the warnings refers to your mains-operated (corded) power tool or battery-operated (cordless) power tool.

## Cordless Pole Hedge Trimmer Safety Warnings

- Keep all parts of the body away from the blade. Do not remove cut material or hold material to be cut when blades are moving.** Blades continue to move after the switch is turned off. A moment of inattention while operating the hedge trimmer may result in serious personal injury.
- Carry the hedge trimmer by the handle with the blade stopped and taking care not to operate any power switch.** Proper carrying of the hedge trimmer will decrease the risk of inadvertent starting and resultant personal injury from the blades.
- When transporting or storing the hedge trimmer, always fit the blade cover.** Proper handling of the hedge trimmer will decrease the risk of personal injury from the blades.
- When clearing jammed material or servicing the unit, make sure all power switches are off and the battery pack is removed or disconnected.** Unexpected actuation of the hedge trimmer while clearing jammed material or servicing may result in serious personal injury.
- Hold the hedge trimmer by insulated gripping surfaces only, because the blade may contact hidden wiring.** Blades contacting a "live" wire may make exposed metal parts of the hedge trimmer "live" and could give the operator an electric shock.

6. **Keep all power cords and cables away from cutting area.** Power cords or cables may be hidden in hedges or bushes and can be accidentally cut by the blade.
7. **Do not use the hedge trimmer in bad weather conditions, especially when there is a risk of lightning.** This decreases the risk of being struck by lightning.
8. **To reduce the risk of electrocution, never use the pole hedge trimmer near any electrical power lines.** Contact with or use near power lines may cause serious injury or electric shock resulting in death.
9. **Always use two hands when operating the pole hedge trimmer.** Hold the pole hedge trimmer with both hands to avoid loss of control.
10. **Always use head protection when operating the pole hedge trimmer overhead.** Falling debris can result in serious personal injury.

## Additional Safety Instructions

### Preparation

1. **THIS HEDGE TRIMMER CAN CAUSE SERIOUS INJURIES.** Read the instructions carefully for the correct handling, preparation, maintenance, starting and stopping of the tool. Become familiar with all controls and the proper use of the tool.
2. **Check the hedges and bushes for foreign objects, such as wire fences or hidden wiring before operating the tool.**
3. **The tool must not be used by children or young persons under 18 years of age.** Young persons over 16 years of age may be exempted from this restriction if they are undergoing training under the supervision of an expert.
4. **In the event of an emergency, switch off the tool and remove the battery cartridge immediately.**
5. **DANGER - Keep hands away from blade.** Contact with blade will result in serious personal injury.
6. **First-time users should have an experienced user show them how to use the tool.**
7. **Before operation, examine the work area for wire fences, stones, or other solid objects. They can damage the blades.**
8. **Use the tool only if you are in good physical condition.** If you are tired, your attention will be reduced. Be especially careful at the end of a working day. Perform all work calmly and carefully. The user is responsible for all damages to third parties.
9. **Before starting work, check to make sure that the tool is in good and safe working order. Ensure guards are fitted properly. The tool must not be used unless fully assembled.**
10. **Avoid dangerous environment. Don't use the tool in damp or wet locations or expose it to rain. Water entering the tool will increase the risk of electric shock.**

### Personal protective equipment

1. **Work gloves of stout leather are part of the basic equipment of the tool and must always be worn when working with it. Also wear sturdy shoes with anti-skid soles.**
2. **Wear ear protection such as ear muffs to prevent hearing loss.**
3. **Wear protective goggles, safety helmet and protective gloves to protect yourself from flying debris or falling objects.**
4. **When touching blades or adjusting the blade angle, wear protective gloves.** Blades can cut bare hands severely.

### Operation

1. **Always use two hands to operate the tool.** Using one hand could cause loss of control and result in serious personal injury.
2. **While operating the tool, always ensure that the operating position is safe and secure. Overreaching with the tool, particularly from a ladder, is extremely dangerous. Do not work from anything wobbly or infirm.**
3. **Do not simultaneously wear multiple belt harnesses and/or shoulder harnesses when operating the tool.**
4. **During operation, keep bystanders or animals at least 15 m away from the tool. Stop the tool as soon as someone approaches.**
5. **If cutting tool strikes any object or the tool starts making unusual noise or vibration, switch off the tool and remove the battery cartridge immediately and allow the tool to stop. And then take the following steps:**
  - inspect for damage
  - check for, and tighten, any loose parts
  - have any damaged parts replaced or repaired with genuine spare parts.
6. **Only use the tool for its intended purpose. Do not use the tool for any other purpose.**
7. **Switch off the tool and remove the battery cartridge before:**
  - cleaning or when clearing a blockage,
  - checking, carrying out maintenance or working on the tool,
  - adjusting the working position of the shear blades,
  - leaving the tool unattended.
8. **Ensure that the tool is correctly located in a designated working position before starting the tool.**
9. **Do not operate the tool with a damaged or excessively worn shear blades.**
10. **Always be aware of your surroundings and stay alert for possible hazards of which you may not be aware due to the noise of the tool.**
11. **Be careful not to accidentally contact a metal fence or other hard objects during operation.** The blade will break and may cause serious injury.
12. **Avoid unintentional starting. Do not carry the tool when the battery cartridge is installed and with finger on the switch. Make sure that the switch is off when installing the battery cartridge.**



13. **Do not grasp the exposed cutting blades or cutting edges when picking up or holding the tool.**
14. **Do not force the tool.** It will do the job better and with less likelihood of a risk of injury at the rate for which it was designed.
15. **Do not use the tool in the rain or in wet or very damp conditions.** The electric motor is not waterproof.
16. **Hold the tool firmly when using the tool.**
17. **Do not operate the tool at no-load unnecessarily.**
18. **Before checking the shear blades, taking care of faults, or removing foreign objects caught in the shear blades, always switch off the tool and remove the battery cartridge.**
19. **Never point the shear blades to yourself or others.**
20. **If the blades stop moving due to the stuck of foreign objects between the blades during operation, switch off the tool and remove the battery cartridge, and then remove the foreign objects using tools such as pliers.** Removing the foreign objects by hand may cause an injury for the reason that the blades may move in reaction to removing the foreign objects.
5. **Check damaged parts.** Before further use of the tool, any part which is damaged should be carefully checked to determine that it will operate properly and perform its intended function. Check for alignment of moving parts, binding of moving parts, breakage of parts, mounting and any other condition that may affect its operation. A guard or other part that is damaged should be properly repaired or replaced by your authorized service center.
6. **Use genuine spare parts only.**
7. **When moving the tool to another location, including during work, always remove the battery cartridge and put the blade cover on the shear blades. Never carry or transport the tool with the blades running. Never grasp the blades with your hands.**
8. **Clean the tool and especially the shear blades after use, and before putting the tool into storage for extended periods.** Lightly oil the shear blades and put on the blade cover.
9. **Do not dispose of the battery(ies) in a fire.** The cell may explode. Check with local codes for possible special disposal instructions.
10. **Do not open or mutilate the battery(ies).** Released electrolyte is corrosive and may cause damage to the eyes or skin. It may be toxic if swallowed.
11. **Do not charge battery in rain, or in wet locations.**

#### Electrical and battery safety

1. **Avoid dangerous environment. Don't use the tool in dump or wet locations or expose it to rain.** Water entering the tool will increase the risk of electric shock.
2. **Do not dispose of the battery(ies) in a fire.** The cell may explode. Check with local codes for possible special disposal instructions.
3. **Do not open or mutilate the battery(ies).** Released electrolyte is corrosive and may cause damage to the eyes or skin. It may be toxic if swallowed.
4. **Do not charge battery in rain, or in wet locations.**
5. **Do not charge the battery outdoors.**
6. **Do not handle charger, including charger plug, and charger terminals with wet hands.**

#### Maintenance and storage

1. **When the tool is stopped for servicing, inspection or storage, switch off the tool and remove the battery cartridge, and make sure all moving parts have come to a stop. Allow the tool to cool before making any inspections, adjustment, etc.**
2. **Always allow the tool to cool down before storing.**
3. **When not in use, attach the blade cover to the tool and store the tool indoors in dry, and high locked-up place, out of reach of children.**
4. **Maintain the tool with care. Keep cutting edge sharp and clean for best performance and to reduce the risk of injury. Follow instructions for lubricating and changing accessories. Keep grips dry, clean, and free from oil and grease.**

## SAVE THESE INSTRUCTIONS.

**⚠WARNING:** DO NOT let comfort or familiarity with product (gained from repeated use) replace strict adherence to safety rules for the subject product. MISUSE or failure to follow the safety rules stated in this instruction manual may cause serious personal injury.

### Important safety instructions for battery cartridge

1. **Before using battery cartridge, read all instructions and cautionary markings on (1) battery charger, (2) battery, and (3) product using battery.**
2. **Do not disassemble or tamper with the battery cartridge.** It may result in a fire, excessive heat, or explosion.
3. **If operating time has become excessively shorter, stop operating immediately. It may result in a risk of overheating, possible burns and even an explosion.**
4. **If electrolyte gets into your eyes, rinse them out with clear water and seek medical attention right away. It may result in loss of your eyesight.**
5. **Do not short the battery cartridge:**
  - (1) **Do not touch the terminals with any conductive material.**
  - (2) **Avoid storing battery cartridge in a container with other metal objects such as nails, coins, etc.**
  - (3) **Do not expose battery cartridge to water or rain.**

A battery short can cause a large current flow, overheating, possible burns and even a breakdown.

6. Do not store and use the tool and battery cartridge in locations where the temperature may reach or exceed 50 °C (122 °F).
7. Do not incinerate the battery cartridge even if it is severely damaged or is completely worn out. The battery cartridge can explode in a fire.
8. Do not nail, cut, crush, throw, drop the battery cartridge, or hit against a hard object to the battery cartridge. Such conduct may result in a fire, excessive heat, or explosion.
9. Do not use a damaged battery.
10. The contained lithium-ion batteries are subject to the Dangerous Goods Legislation requirements.  
For commercial transports e.g. by third parties, forwarding agents, special requirement on packaging and labeling must be observed.  
For preparation of the item being shipped, consulting an expert for hazardous material is required.  
Please also observe possibly more detailed national regulations.  
Tape or mask off open contacts and pack up the battery in such a manner that it cannot move around in the packaging.
11. When disposing of the battery cartridge, remove it from the tool and dispose of it in a safe place. Follow your local regulations relating to disposal of battery.
12. Use the batteries only with the products specified by Makita. Installing the batteries to non-compliant products may result in a fire, excessive heat, explosion, or leak of electrolyte.
13. If the tool is not used for a long period of time, the battery must be removed from the tool.
14. During and after use, the battery cartridge may take on heat which can cause burns or low temperature burns. Pay attention to the handling of hot battery cartridges.

15. Do not touch the terminal of the tool immediately after use as it may get hot enough to cause burns.
16. Do not allow chips, dust, or soil stuck into the terminals, holes, and grooves of the battery cartridge. It may result in poor performance or breakdown of the tool or battery cartridge.
17. Unless the tool supports the use near high-voltage electrical power lines, do not use the battery cartridge near high-voltage electrical power lines. It may result in a malfunction or breakdown of the tool or battery cartridge.
18. Keep the battery away from children.

## SAVE THESE INSTRUCTIONS.

**⚠ CAUTION:** Only use genuine Makita batteries. Use of non-genuine Makita batteries, or batteries that have been altered, may result in the battery bursting causing fires, personal injury and damage. It will also void the Makita warranty for the Makita tool and charger.

## Tips for maintaining maximum battery life

1. Charge the battery cartridge before completely discharged. Always stop tool operation and charge the battery cartridge when you notice less tool power.
2. Never recharge a fully charged battery cartridge. Overcharging shortens the battery service life.
3. Charge the battery cartridge with room temperature at 10 °C - 40 °C (50 °F - 104 °F). Let a hot battery cartridge cool down before charging it.
4. When not using the battery cartridge, remove it from the tool or the charger.

## PARTS DESCRIPTION

► Fig.1

1	Head	2	Angle adjustment button	3	Lock-lever	4	Thumb nut
5	Front grip	6	Rear grip	7	Battery cartridge	8	Switch trigger
9	Lock-off button	10	Shear blades	-	-	-	-

# FUNCTIONAL DESCRIPTION

**CAUTION:** Always be sure that the tool is switched off and the battery cartridge is removed before adjusting or checking function on the tool.

## Installing or removing battery cartridge

**CAUTION:** Always switch off the tool before installing or removing of the battery cartridge.

**CAUTION:** Hold the tool and the battery cartridge firmly when installing or removing battery cartridge. Failure to hold the tool and the battery cartridge firmly may cause them to slip off your hands and result in damage to the tool and battery cartridge and a personal injury.

► **Fig.2:** 1. Red indicator 2. Button 3. Battery cartridge

To remove the battery cartridge, slide it from the tool while sliding the button on the front of the cartridge.

To install the battery cartridge, align the tongue on the battery cartridge with the groove in the housing and slip it into place. Insert it all the way until it locks in place with a little click. If you can see the red indicator as shown in the figure, it is not locked completely.

**CAUTION:** Always install the battery cartridge fully until the red indicator cannot be seen. If not, it may accidentally fall out of the tool, causing injury to you or someone around you.

**CAUTION:** Do not install the battery cartridge forcibly. If the cartridge does not slide in easily, it is not being inserted correctly.

## Indicating the remaining battery capacity

*Only for battery cartridges with the indicator*

► **Fig.3:** 1. Indicator lamps 2. Check button

Press the check button on the battery cartridge to indicate the remaining battery capacity. The indicator lamps light up for a few seconds.

Indicator lamps		Remaining capacity
Lighted	Off	
■ ■ ■ ■	□	75% to 100%
■ ■ ■ □	□	50% to 75%
■ ■ □ □	□	25% to 50%
■ □ □ □	□	0% to 25%

**NOTE:** Depending on the conditions of use and the ambient temperature, the indication may differ slightly from the actual capacity.

## Tool / battery protection system

The tool is equipped with a tool/battery protection system. This system automatically cuts off power to the motor to extend tool and battery life. The tool will automatically stop during operation if the tool or battery is placed under one of the following conditions:

### Overloaded:

The tool is operated in a manner that causes it to draw an abnormally high current. In this situation, turn the tool off and stop the application that caused the tool to become overloaded. Then turn the tool on to restart. If the tool does not start, the battery is overheated. In this situation, let the battery cool before turning the tool on again.

### Low battery voltage:

The remaining battery capacity is too low and the tool will not operate. If you turn the tool on, the motor runs again but stops soon. In this situation, remove and recharge the battery.

## Switch action

**WARNING:** Before installing the battery cartridge into the tool, always check to see that the switch trigger actuates properly and returns to the "OFF" position when released.

**WARNING:** For your safety, this tool is equipped with the lock-off button which prevents the tool from unintended starting. Never use the tool if it starts when you pull the switch trigger without pressing the lock-off button. Ask your local Makita Service Center for repairs.

**WARNING:** Never disable the lock function or tape down the lock-off button.

**NOTICE:** Do not pull the switch trigger forcibly without pressing the lock-off button. The switch may break.

► **Fig.4:** 1. Lock-off button 2. Switch trigger

To prevent the switch trigger from being accidentally pulled, a lock-off button is provided.

To start the tool, press the lock-off button and pull the switch trigger. Release the switch trigger to stop. The lock-off button can be pressed from either the right or left side.

## Adjusting the cutting angle

**CAUTION:** Always be sure that the tool is switched off before folding or unfolding the head.

**CAUTION:** When folding the head for carrying the tool or after using the tool, be sure to attach the blade cover before folding the head.

**CAUTION:** When folding the head, be careful not to pinch your fingers between the head and the tool body.

The angle of the head can be adjusted in 10 steps. To change the angle of the head, follow the steps below.

1. Hold the head and the tool body as shown in the figure.

► **Fig.5:** 1. Head 2. Angle adjustment button

2. Adjust the angle of the head while holding down the angle adjustment button, and then release the angle adjustment button.

3. Move the head slightly until it is locked with a click.

**NOTE:** Make sure that the head is securely locked before operating the tool.

## Adjusting the pipe length

**CAUTION:** Always be sure that the tool is switched off before adjusting the pipe length.

**CAUTION:** When adjusting the pipe length, be sure to attach the blade cover before adjusting the pipe length.

**CAUTION:** When adjusting the pipe length, be careful not to pinch your fingers.

**CAUTION:** Make sure that the lock-lever is locked securely.

**CAUTION:** When adjusting the pipe length, lay the tool on its side. If you stand the tool upright, the head will come down suddenly, which may cause an injury.

Loosen the lock-lever, then adjust the length of the pipe, and then lock the lock-lever.

► **Fig.6:** 1. Lock-lever

## Adjusting the front grip position

**CAUTION:** Always be sure that the tool is switched off before adjusting the position of the front grip.

**CAUTION:** When adjusting the position of the front grip, be careful not to pinch your fingers.

**CAUTION:** Make sure that the thumb nut is tightened securely.

**CAUTION:** Do not move the front grip beyond the arrow mark.

To adjust the position of the front grip, loosen the thumb nut by turning it counterclockwise, then adjust the position of the front grip, and then tighten the thumb nut by turning it clockwise.

► **Fig.7:** 1. Thumb nut 2. Arrow mark

## ASSEMBLY

**CAUTION:** Always be sure that the tool is switched off and the battery cartridge is removed before carrying out any work on the tool.

**CAUTION:** When replacing the shear blades, always wear gloves so that your hands do not directly contact the blades.

## Installing or removing the shear blades

**CAUTION:** Attach the blade cover before removing or installing the shear blades.

**NOTICE:** When replacing the shear blades, do not wipe off grease from the gear and crank.

**NOTE:** Before installing or removing the shear blades, unfold the head of the tool so that the head is straight to the tool body.

1. Place the tool upside down.
2. Remove 4 screws with a screwdriver and remove the shear blades.  
► **Fig.8:** 1. Screw
3. Remove the crank from the shear blades.  
► **Fig.9:** 1. Crank

**NOTE:** The crank may remain in the tool.

4. Prepare the crank and new shear blades.  
► **Fig.10:** 1. Crank 2. Shear blades
5. Remove the blade cover, and then attach it to the new shear blades.
6. Apply a small amount of grease to the periphery of the crank. Attach the washer, gear, and the crank to the pin in order.  
► **Fig.11:** 1. Crank 2. Gear 3. Washer 4. Pin
7. Adjust the crank so that the 2 small holes on the crank are lined up on the alignment line as shown in the figure.  
► **Fig.12:** 1. Alignment line 2. Small hole
8. Slide the shear blades so that the hole on the guide plate is positioned at the center of the rings of blades.  
► **Fig.13:** 1. Guide plate
9. Insert the screw removed in step 2 into the hole on the shear blades through the hole on the blade cover.  
► **Fig.14:** 1. Hole
10. Attach the shear blades to the tool, and then tighten 3 screws with the screwdriver.  
► **Fig.15:** 1. Screw
11. Remove the screw inserted into the hole on the shear blades in step 9, and then tighten it to fix the shear blades.

**NOTICE:** If the shear blades do not operate properly, the blades are not engaging the crank properly. Remove the blades and install them again.

**NOTICE:** If the parts other than the shear blades such as the crank are worn out, ask Makita Authorized Service Centers for parts replacement or repairs.

## Installing or removing the chip receiver

### Optional accessory

**CAUTION:** When installing or removing the chip receiver, always wear gloves so that your hands do not directly contact the shear blades.

**CAUTION:** Attach the blade cover before installing or removing the chip receiver.

The chip receiver gathers discarded leaves and makes clean-up afterward much easier. It can be installed on either side of the tool.

1. Align the holes on the chip receiver with the nuts on the shear blades.

► **Fig.16:** 1. Nut

2. Hook the claws of the chip receiver to the groove on the shear blades.

► **Fig.17:** 1. Claw 2. Groove

3. Press the levers on the chip receiver, and then hook the claws on the other side to the groove on the shear blades.

► **Fig.18:** 1. Lever

To remove the chip receiver, press the levers to release the claws.

► **Fig.19:** 1. Lever

**NOTICE:** Never try to remove the chip receiver by an excessive force with its claws locked in the grooves of the shear blades.

## OPERATION

### Operating the tool

**⚠ WARNING:** Do not use the tool near any electrical power lines. Contacting with power lines or using the tool near power lines may cause serious injury or electric shock resulting in death.

**⚠ WARNING:** Keep hands away from shear blades.

**⚠ WARNING:** Be extremely careful to maintain control of the tool at all times. Do not allow the tool to be deflected toward you or anyone in the work vicinity. Failure to keep control of the tool could result in serious injury to the bystander and the operator.

**⚠ CAUTION:** Avoid operating the tool in very hot weather as much as practicable. When operating the tool, be careful of your physical condition.

**⚠ CAUTION:** Be careful not to accidentally contact a metal fence or other hard objects while trimming. The shear blades may break and cause an injury.

**⚠ CAUTION:** Be careful not to allow the shear blades to contact the ground. The tool may recoil and cause an injury.

**⚠ CAUTION:** Overreaching with a hedge trimmer, particularly from a ladder, is extremely dangerous. Do not work while standing on anything wobbly or infirm.

**NOTICE:** Do not attempt to cut branches thicker than 10 mm in diameter with the tool. Cut branches to 10 cm lower than the cutting height using branch cutters before using the tool.

► **Fig.20:** (1) Cutting height (2) 10 cm

**NOTICE:** Do not cut down dead trees or similar hard objects. Doing so may damage the tool.

**NOTICE:** Do not trim the grass or weeds while using the shear blades. The shear blades may become tangled in the grass or weeds.

Hold the tool with both hands by holding the front grip and the rear grip.

► **Fig.21:** 1. Front grip 2. Rear grip

Pull the switch trigger while pressing the lock-off button, and then move the tool forward.

► **Fig.22**

For basic operation, tilt the shear blades toward the trimming direction and move it calmly and slowly at the speed rate of 3 to 4 seconds per meter.

► **Fig.23**

To cut a hedge side evenly, cut from the bottom to top.

► **Fig.24**

When trimming to make a round shape (trimming boxwood or rhododendron, etc.), trim from the root to the top for a beautiful finish.

► **Fig.25**

If the chip receiver is attached to the shear blades, it gathers discarded leaves and makes clean-up afterward much easier.

► **Fig.26**

## MAINTENANCE

**⚠ CAUTION:** Always be sure that the tool is switched off and the battery cartridge is removed before attempting to perform inspection or maintenance.

**⚠ CAUTION:** When inspecting or maintaining the tool, always put the tool down. Assembling or adjusting the tool in an upright position may result in serious injury.

To maintain product SAFETY and RELIABILITY, repairs, any other maintenance or adjustment should be performed by Makita Authorized or Factory Service Centers, always using Makita replacement parts.

### Cleaning the tool

Clean the tool by wiping off dust with a dry cloth or one dipped in soapy water and wrung out.

**NOTICE:** Never use gasoline, benzene, thinner, alcohol or the like. Discoloration, deformation or cracks may result.

### Shear blade maintenance

Before the operation or once per hour during operation, apply low-viscosity oil (machine oil, or spray-type lubricating oil) to the shear blades.

► **Fig.27**

After operation, remove dust from both sides of the shear blades with a wired brush, wipe it off with a cloth and then apply low-viscosity oil (machine oil, or spray-type lubricating oil) to the shear blades.

► **Fig.28**

**NOTICE:** Do not wash the shear blades in water. Doing so may cause rust or damage to the tool.

**NOTICE:** Dirt and corrosion cause excessive blade friction and shorten the operating time per battery charge.

## Storage

Attach the blade cover to the shear blades so that the blades are not exposed. Store the tool out of the reach of children. Store the tool in a place not exposed to moisture or rain.

# TROUBLESHOOTING

Before asking for repairs, conduct your own inspection first. If you find a problem that is not explained in the manual, do not attempt to dismantle the tool. Instead, ask Makita Authorized Service Centers, always using Makita replacement parts for repairs.

State of abnormality	Probable cause (malfunction)	Remedy
Motor does not run.	Battery cartridge is not installed.	Install the battery cartridge.
	Battery problem (under voltage)	Recharge the battery. If recharging is not effective, replace battery.
	The drive system does not work correctly.	Ask your local authorized service center for repair.
Motor stops running after a little use, or motor does not run.	Battery's charge level is low.	Recharge the battery. If recharging is not effective, replace battery.
	Overheating.	Stop using of tool to allow it to cool down.
Tool does not reach maximum RPM.	Battery is installed improperly.	Install the battery cartridge as described in this manual.
	Battery power is dropping.	Recharge the battery. If recharging is not effective, replace battery.
	The drive system does not work correctly.	Ask your local authorized service center for repair.
Shear blades do not move: ⇒ stop the machine immediately!	Inappropriate angle of shear blades.	Make sure that the head is properly fixed in the operational angle.
	Foreign objects are caught between the shear blades.	Switch off the tool and remove the battery cartridge, and then remove the foreign objects using tools such as pliers.
	The drive system does not work correctly.	Ask your local authorized service center for repair.
Abnormal vibration: ⇒ stop the machine immediately!	Shear blades are broken, bent or worn.	Replace the shear blades.
	The drive system does not work correctly.	Ask your local authorized service center for repair.
Shear blades and motor cannot stop: ⇒ Remove the battery immediately!	Electric malfunction.	Remove the battery and ask your local authorized service center for repair.

## OPTIONAL ACCESSORIES

**CAUTION:** These accessories or attachments are recommended for use with your Makita tool specified in this manual. The use of any other accessories or attachments might present a risk of injury to persons. Only use accessory or attachment for its stated purpose.

If you need any assistance for more details regarding these accessories, ask your local Makita Service Center.

- Shear blade assembly
- Chip receiver
- Grease vessel
- Makita genuine battery and charger

**NOTE:** Some items in the list may be included in the tool package as standard accessories. They may differ from country to country.

## SPECIFIKATIONER

Modell:	UN460WD
Bladets längd	460 mm
Slag per minut	3 600 min <sup>-1</sup>
Skärbladets vinkel	135° (upp 60°, ner 75°)
Total längd	1 889 - 2 511 mm
Märkspänning	10,8 V - 12 V likström max
Nettovikt	2,8 - 3,0 kg

- På grund av vårt pågående program för forskning och utveckling kan dessa specifikationer ändras utan föregående meddelande.
- Specifikationer kan variera mellan olika länder.
- Vikten kan variera beroende på tillbehören, inklusive batterikassett. Den lättaste och den tyngsta kombinationen enligt EPTA-procedur 01/2014 visas i tabellen.

## Tillgänglig batterikassett och laddare





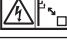

Batterikassett	BL1016 / BL1021B / BL1041B
Laddare	DC10SA / DC10SB / DC10WC / DC10WD / DC18RE

- Vissa av batterikassetterna och laddarna på listan ovan kanske inte finns tillgängliga i din region.

**⚠ VARNING: Använd endast batterikassetter och laddare från listan ovan.** Användning av andra batterikassetter och laddare kan orsaka personskada och/eller brand.

## Symboler

Följande visar symbolerna som kan användas för utrustningen. Se till att du förstår innebörden innan användning.

	Läs igenom bruksanvisningen.
	Utsätt inte verktyget för fukt.
	Använd hjälm, skyddsglasögon och hörselskydd.
	FARA – Håll händerna borta från bladet.
	Akta dig för elledningar, risk för elektrisk stöt.
	Håll ett avstånd på minst 15 m.



Gäller endast inom EU  
P.g.a. förekomsten av farliga komponenter i utrustningen kan avfall innehållande elektrisk och elektronisk utrustning, ackumulatörer och batterier ha negativ inverkan på miljön och människors hälsa.

Kassera inte elektriska och elektroniska apparater eller batterier ihop med hushållsavfall!

I enlighet med EU-direktiven om avfall som utgörs av eller innehåller elektrisk och elektronisk utrustning och om batterier och ackumulatörer och förbrukade batterier och ackumulatörer, och dess införlivande i nationell lagstiftning, bör förbrukad elektrisk och elektronisk utrustning, batterier och ackumulatörer förvaras separat och transporteras till en särskild uppsamlingsplats för kommunalt avfall, som drivs i enlighet med regelverket för miljöskydd. Detta anges av symbolen med den överkryssade soptunnan på hjul som sitter på utrustningen.



Garanterad ljudeffektnivå enligt EU-direktivet för utomhusbuller.



Ljudeffektnivå enligt Australia NSW Noise Control Regulation (Bullerreglering)

## Avsedd användning

Maskinen är avsedd för att trimma häckar.



## Buller

Den normala bullernivån för A-belastning är bestämd enligt EN62841-4-2:

Ljudtrycksnivå ( $L_{pA}$ ): 74 dB (A)

Måttolerans (K): 3 dB (A)

Bullernivån vid arbete kan överstiga 80 dB (A).

**OBS:** Det deklarerade bullervärdet har uppmätts i enlighet med standardtestmetoden och kan användas för jämförandet av en maskin med en annan.

**OBS:** Det deklarerade bulleremissionsvärdet kan också användas i en preliminär bedömning av exponering för vibration.

**⚠ VARNING:** Använd hörselskydd.

**⚠ VARNING:** Bulleremissionen under faktisk användning av maskinen kan skilja sig från det deklarerade värdet, beroende på hur maskinen används och särskilt vilken typ av arbetsstycke som behandlas.

**⚠ VARNING:** Var noga med att identifiera säkerhetsåtgärder för att skydda användaren, vilka är grundade på en uppskattning av graden av exponering för vibrationer under de faktiska användningsförhållandena, (ta, förutom avtryckartiden, med alla delar av användarcykeln i beräkningen, som till exempel tiden då maskinen är avstängd och när den går på tomgång).

## Vibration

Tillämplig standard : EN62841-4-2

Vänster sida (främre handtag)		Höger sida (bakre handtag)	
$a_h$ ( $m/s^2$ )	Måttolerans K ( $m/s^2$ )	$a_h$ ( $m/s^2$ )	Måttolerans K ( $m/s^2$ )
2,5 $m/s^2$ eller lägre	1,5	2,5 $m/s^2$ eller lägre	1,5

**OBS:** Det deklarerade totala vibrationsvärdet har uppmätts i enlighet med standardtestmetoden och kan användas för jämförandet av en maskin med en annan.

**OBS:** Det deklarerade totala vibrationsvärdet kan också användas i en preliminär bedömning av exponering för vibration.

**⚠ VARNING:** Vibrationsemissionen under faktisk användning av maskinen kan skilja sig från det deklarerade värdet, beroende på hur maskinen används och särskilt vilken typ av arbetsstycke som behandlas.

**⚠ VARNING:** Var noga med att identifiera säkerhetsåtgärder för att skydda användaren, vilka är grundade på en uppskattning av graden av exponering för vibrationer under de faktiska användningsförhållandena, (ta, förutom avtryckartiden, med alla delar av användarcykeln i beräkningen, som till exempel tiden då maskinen är avstängd och när den går på tomgång).

## EG-försäkran om överensstämmelse

Gäller endast inom EU

EG-försäkran om överensstämmelse inkluderas som bilaga A till denna bruksanvisning.

## SÄKERHETSVARNINGAR

### Allmänna säkerhetsvarningar för maskiner

**⚠ VARNING:** Läs alla säkerhetsvarningar, anvisningar, illustrationer och specifikationer som medföljer det här maskinen. Underlåtenhet att följa instruktionerna kan leda till elstöt, brand och/eller allvarliga personskador.

### Spara alla varningar och instruktioner för framtida referens.

Termen "maskin" som anges i varningarna hänvisar till din eldrivna maskin (sladdansluten) eller batteridrivna maskin (sladdlös).

## Säkerhetsvarning för batteridrivna stånghäcksax

- Håll alla kroppsdelar borta från skärbladet.** Ta inte bort avklipp material eller håll inte i materialet som ska klippas av när bladen är i rörelse. Bladen fortsätter att rotera efter det att strömbrytaren stängts av. Ett ögonblick av uppmärksamhet när häcksaxen är igång kan resultera i allvarlig personskada.
- Bär häcksaxen i handtaget med bladet stoppat och var noga med att inte aktivera någon strömbrytare.** Om häcksaxen bärs på rätt sätt minskar risken för oavsiktlig uppstart och därmed personskada på grund av bladen.
- När häcksaxen transporteras eller förvaras ska alltid bladskyddet sitta på.** Korrekt hantering av häcksaxen minskar risken för personskador från bladen.
- När du tar bort material som fastnat eller ser var enheten, se då till att alla strömbrytare är avstängda och batteripaketet borttaget eller fränkopplat.** Att oväntat sätta igång häcksaxen medan man håller på att ta bort material som fastnat eller utför service kan orsaka allvarlig personskada.



5. **Håll endast i häcksaxens isolerade grepppytor eftersom skärbladet kan komma i kontakt med dolda kablar.** Om bladen kommer i kontakt med en strömförande ledning blir häcksaxens metall-delar strömförande och kan ge operatören en elektrisk stöt.
6. **Håll alla strömsladdar och kablar borta från skärområdet.** Under användning kan strömsladdar eller kablar ligga dolda i häckar och buskage och oavsiktligt bli avklippta av skärbladet.
7. **Använd inte häcksaxen vid dåliga väderförhållanden, speciellt inte vid risk för åska.** Då minskar risken att bli träffad av blixten.
8. **För att minska risken för elektrisk stöt ska stånghäcksaxen aldrig användas nära elektriska kraftledningar.** Kontakt med eller användning i närheten av kraftledningar kan orsaka allvarlig skada eller elektrisk stöt med dödsfall som följd.
9. **Använd alltid två händer vid användning av stånghäcksaxen.** Håll stånghäcksaxen med båda händerna för att undvika att tappa kontrollen.
10. **Använd alltid skydd för huvudet när du använder stånghäcksaxen höjd över huvudet.** Fallande skräp kan leda till allvarlig personskada.

## Ytterligare säkerhetsinstruktioner

### Förberedelse

1. **DENNA HÄCKSAX KAN ORSAKA ALLVARLIG SKADA.** Läs instruktionerna nog för att se hur du korrekt hanterar, förbereder, underhåller, startar och stannar verktyget. Sätt dig in i alla styrreglage och hur verktyget används korrekt.
2. **Kontrollera häckarna och buskarna avseende främmande föremål, som staket eller dolda kablar innan du använder maskinen.**
3. **Häcksaxen får inte användas av barn eller ungdomar under 18 år.** Undantag kan göras för ungdomar över 16 år som har fått utbildning och träning av en kunnig person.
4. **Stäng genast av verktyget och ta bort batterikassetten i ett nödläge.**
5. **FARA - Håll händerna borta från klingan.** Kontakt med klingan kommer att leda till allvarlig personskada.
6. **Förstagångsanvändare bör låta en erfaren användare visa hur verktyget ska användas.**
7. **Undersök arbetsområdet före användningen, så att det inte finns stenar eller andra fasta föremål. De kan skada bladen.**
8. **Använd endast häcksaxen när du är i god fysisk kondition.** Om du är trött blir du ouppmärksam. Var speciellt försiktig vid arbetsdagens slut. Utför allt arbete noggrant och i lugnt tempo. Användaren är ansvarig för all skada på tredje person.
9. **Kontrollera innan arbetet inleds att häcksaxen är i gott och säkert skick. Säkerställ att skydden sitter fast ordentligt. Häcksaxen får inte användas om den inte är fullständigt monterad.**
10. **Undvik farliga miljöer. Använd inte maskinen på fuktiga eller blöta platser, och utsätt den heller inte för regn. Vatten som kommer in i maskinen ökar risken för elektriska stötar.**

### Personlig skyddsutrustning

1. **Arbetshandskar av kraftigt läder är en del av grundutrustningen för häcksaxen och måste alltid bäras när maskinen används. Använd också kraftiga skor med halksäkra sulor.**
2. **Bär hörselskydd, såsom hörselkåpor för att undvika hörselskador.**
3. **Bär skyddsglasögon, skyddshjälm och skyddshandskar för att skydda dig mot flygande material eller fallande föremål.**
4. **Bär skyddshandskar när du rör vid blad eller justerar bladvinkeln. Bladen kan skära oskyddade händer allvarligt.**

### Användning

1. **Använd alltid två händer för att manövrera verktyget.** Att bara använda en hand kan göra att du tappar kontrollen och leda till allvarlig personskada.
2. **Se alltid till när du använder verktyget att arbetspositionen är säker och trygg. Att sträcka sig för långt med verktyget, särskilt från en stege, är extremt farligt. Arbeta inte om inte underlaget är fast eller stadigt.**
3. **Ha inte på dig flera remmar och/eller axelband samtidigt när du använder verktyget.**
4. **Håll åskådare och djur på minst 15 m avstånd från verktyget under användningen. Stanna verktyget så fort någon närmar sig.**
5. **Om skärverktyget slår emot något föremål eller verktyget börjar ge ifrån sig ovanliga ljud eller vibrera, stäng då genast av verktyget, ta bort batterikassetten och låt verktyget stanna. Vidta sedan följande åtgärder:**
  - kontrollera om skada har uppstått
  - kontrollera om det finns lösa delar och skruva åt dem
  - se till att få eventuella skadade delar utbyta eller reparerade med originalreservdelar.
6. **Använd verktyget endast för dess avsedda syfte. Använd inte verktyget för några andra syften.**
7. **Stäng av verktyget och ta bort batterikassetten innan du**
  - rengör det eller tar bort något som fastnat,
  - kontrollerar, utför underhåll eller arbetar på verktyget,
  - justerar skärbladens arbetsläge,
  - lämnar verktyget utan uppsikt.
8. **Se till att verktyget är korrekt placerat i en särskilt anvisad arbetsposition innan du startar det.**
9. **Använd inte verktyget med skadade eller mycket utslitna skärblad.**
10. **Var alltid medveten om omgivningarna och var uppmärksam på möjliga risker som du kanske inte märker p.g.a. bullret från verktyget.**
11. **Var försiktig så att du inte kommer i kontakt med ett metallstängsel eller andra hårda objekt under körningen. Bladet går av och kan orsaka allvarliga skador.**

12. Undvik att starta verktyget oavsiktligt. Bär inte verktyget när batterikassetten är installerad och du har ett finger på avtryckaren. Se till att strömbrytaren är avstängd när du sätter i batterikassetten.
13. Håll inte i de framskjutande skärbladen eller skärytorna när du tar upp eller håller verktyget.
14. Tryck inte hårt med verktyget. Det gör sitt jobb bättre och med mindre risk för olycka i den fart som det är konstruerat för.
15. Använd inte verktyget i regn eller under våta eller fuktiga förhållanden. Den elektriska motorn är inte vattentät.
16. Håll ett stadigt tag i maskinen när du arbetar.
17. Använd inte maskinen obelastad i onödan.
18. Stäng alltid av verktyget och ta bort batterikassetten innan skärbladen kontrolleras, innan ett fel ska åtgärdas eller innan material tas bort som har fastnat i skärbladen.
19. Rikta aldrig skärbladen mot dig själv eller någon annan.
20. Om klingorna slutar att röra sig på grund av att främmande föremål fastnar mellan klingorna under arbetet, stänger du av verktyget och tar bort batterikassetten. Ta sedan bort de främmande föremålen med hjälp av ett verktyg, såsom en tång. Att ta bort de främmande föremålen för hand kan orsaka skador på grund av att klingorna kan röra sig som en reaktion på att de främmande föremålen tas bort.

#### El- och battersäkerhet

1. Undvik farliga miljöer. Använd inte verktyget på fuktiga eller blöta områden, eller utsätt den för regn. Vatten som kommer in i verktyget ökar risken för elektrisk stöt.
2. Släng inte batteriet/batterierna i öppen eld. Cellen kan explodera. Kontrollera de lokala reglerna för att se eventuell särskild avfallshantering.
3. Öppna inte eller förstör batteriet/batterierna. Elektrolyt som kommer ut är frätande och kan ge ögon- eller hudskador. Det kan vara giftigt vid förtäring.
4. Ladda inte batteriet i regn eller i fuktiga eller våta utrymmen.
5. Ladda inte batteriet utomhus.
6. Hantera inte laddaren, däribland laddarstickproppen, och laddarens kopplingar med våta händer.

#### Underhåll och förvaring

1. När verktyget ska stoppas för service, inspektion eller förvaring, stäng då av det och ta bort batterikassetten, och försäkra dig om att alla rörliga delar har stannat. Låt verktyget svalna innan du gör några inspektioner, justeringar osv.
2. Låt alltid verktyget svalna innan du ställer in det för förvaring.
3. När verktyget inte används ska bladskyddet sättas fast på det och det ska förvaras inomhus på en torr och högt belägen låst plats, utom räckhåll för barn.

4. Underhåll verktyget med omsorg. Håll eggen vass och ren för bästa prestanda och för att minska skaderisken. Följ instruktionerna för smörjning och byte av tillbehör. Håll handtagen torra, rena och fria från olja och fett.
5. Kontrollera eventuella skadade delar. Innan du använder verktyget igen måste du noggrant kontrollera alla delar som är skadade så att de fungerar ordentligt och fyller sin funktion. Kontrollera inriktningen och fästet för rörliga delar, om det finns trasiga delar, montering eller andra förhållanden som kan påverka användningen av maskinen. Ett skydd eller en annan del som är skadad ska repareras ordentligt eller bytas ut av en auktoriserad serviceverkstad.
6. Använd endast originalreservdelar.
7. När verktyget ska flyttas till en annan plats, även under pågående arbete, ska batterikassetten alltid tas bort och bladskyddet fästas på skärbladen. Bär aldrig och transportera aldrig verktyget medan bladen är igång. Ta aldrig i bladen med händerna.
8. Rengör verktyget och speciellt skärbladen efter användning och innan verktyget tas i förvar för en längre period. Smörj skärbladen lätt med olja och trä på bladskyddet.
9. Släng inte batteriet/batterier in i öppen eld. Cellen kan i annat fall explodera. Kontrollera om några speciella lokala föreskrifter föreligger avseende avfallshantering.
10. Öppna inte eller skada/deformera/punktera batteriet/batterierna. Elektrolyten som kommer ut är frätande och kan ge ögon- eller hudskador. Den kan vara giftig vid intag.
11. Ladda inte batteriet i regn eller i fuktiga eller våta utrymmen.

## SPARA DESSA ANVISNINGAR.

**⚠️WARNING: GLÖM INTE** att också fortsättningsvis strikt följa säkerhetsanvisningarna för maskinen även efter att du blivit van att använda den. Vid **FELAKTIG HANTERING** av maskinen eller om inte säkerhetsanvisningarna i denna bruksanvisning följs kan följden bli allvarliga personskador.

### Viktiga säkerhetsanvisningar för batterikassetten

1. Innan batterikassetten används ska alla instruktioner och varningsmärken på (1) batteriladdaren, (2) batteriet och (3) produkten läsas.
2. Montera inte isär eller mixtra med batterikassetten. Det kan leda till brand, överdriven värme eller explosion.
3. Om drifttiden blivit avsevärt kortare ska användningen avbrytas omedelbart. Det kan uppstå överhettning, brännskador och t o m en explosion.
4. Om du får elektrolyt i ögonen ska de sköljas med rent vatten och läkare uppsökas omedelbart. Det finns risk för att synen förloras.

5. **Kortslut inte batterikassetten.**
  - (1) Rör inte vid polerna med något strömförande material.
  - (2) Undvik att förvara batterikassetten tillsammans med andra metallobjekt som t.ex. spikar, mynt o.s.v.
  - (3) Skydda batteriet mot vatten och regn. En batterikortslutning kan orsaka ett stort strömlöflöde, överhettning, brand och maskinhaveri.
6. **Förvara och använd inte verktyget och batterikassetten på platser där temperaturen kan nå eller överstiga 50 °C.**
7. **Bränn inte upp batterikassetten även om den är svårt skadad eller helt utsliten. Batterikassetten kan explodera i öppen eld.**
8. **Spika inte i, krossa, kasta, tappa eller slå batterikassetten mot hårda föremål.** Dylåka händelser kan leda till brand, överdriven värme eller explosion.
9. **Använd inte ett skadat batteri.**
10. **De medföljande litiumjonbatterierna är föremål för kraven i gällande lagstiftning för farligt gods.**  
För kommersiella transporter (av t.ex. tredje parter som speditönsfirmor) måste de särskilda transportkrav som anges på emballaget och etiketter iakttagas.  
För att förbereda den produkt som ska avsändas krävs att du konsulterar en expert på riskmaterial. Var också uppmärksam på att det i ditt land kan finnas ytterligare föreskrifter att följa.  
Tejpa över eller maskera blottade kontakter och packa batteriet på sådant sätt att det inte kan röra sig fritt i förpackningen.
11. **När batterikassetten ska kasseras måste den tas bort från maskinen och kasseras på ett säkert sätt. Följ lokala föreskrifter beträffande avfallshandtering av batteriet.**
12. **Använd endast batterierna med de produkter som specificerats av Makita.** Att använda batterierna med ej godkända produkter kan leda till brand, överdriven värme, explosion eller utläckande elektrolyt.
13. **Om maskinen inte används under en lång tid måste batteriet tas bort från maskinen.**
14. **Under och efter användning kan batterikassetten bli het vilket kan orsaka brännskador eller lättare brännskador. Var uppmärksam på hur du hanterar varma batterikassetter.**
15. **Vidrör inte verktygets kontakter direkt efter användning eftersom de kan bli heta och orsaka brännskador.**
16. **Låt inte flisor, damm eller smuts fastna i kontaktarna, i hål eller spår i batterikassetten.** Det kan leda till dålig prestanda eller till att verktyget eller batterikassetten går sönder.
17. **Såvida inte verktyget stöder arbeten i närheten av högspänningsledning får batterikassetten inte användas i närheten av en högspänningsledning.** Det kan leda till att verktyget eller batterikassetten går sönder eller inte fungerar korrekt.
18. **Förvara batteriet utom räckhåll för barn.**

## SPARA DESSA ANVISNINGAR.

**⚠ FÖRSIKTIGT:** Använda endast äkta Makita-batterier. Användning av oäkta Makita-batterier eller batterier som har manipulerats kan leda till person- och utrustningsskador eller till att batteriet fattar eld. Det upphäver också Makitas garanti för verktyget och laddaren.

## Tips för att uppnå batteriets maximala livslängd

1. **Ladda batterikassetten innan den är helt urladdad. Stanna alltid maskinen och ladda batterikassetten när du märker att maskinen blir svagare.**
2. **Ladda aldrig en fulladdad batterikasset. Överladdning förkortar batteriets livslängd.**
3. **Ladda batterikassetten vid en rumstemperatur på 10 °C - 40 °C. Låt en varm batterikasset svalna innan den laddas.**
4. **När batterikassetten inte används ska den tas bort från verktyget eller laddaren.**

## BESKRIVNING AV DELAR

► Fig.1

1	Huvud	2	Vinkelinställningsknapp	3	Låsspak	4	Lättrad mutter
5	Främre handtaget	6	Bakre handtaget	7	Batterikasset	8	Avtryckare
9	Startspärr	10	Skärblad	-	-	-	-

## FUNKTIONSBESKRIVNING

**⚠ FÖRSIKTIGT:** Se alltid till att maskinen är avstängd och batterikassetten borttagen innan du justerar maskinen eller kontrollerar dess funktioner.

### Montera eller demontera batterikassetten

**⚠ FÖRSIKTIGT:** Stäng alltid av maskinen innan du monterar eller tar bort batterikassetten.

**⚠ FÖRSIKTIGT:** Håll stadigt i maskinen och batterikassetten när du monterar eller tar bort batterikassetten. I annat fall kan det leda till att de glider ur dina händer och orsakar skada på maskinen och batterikassetten samt personskada.

► **Fig.2:** 1. Röd indikator 2. Knapp 3. Batterikassett

Ta bort batterikassetten genom att skjuta ner knappen på kassetten framsida samtidigt som du drar ut batterikassetten.

Sätt in batterikassetten genom att rikta in tungan på batterikassetten mot spåret i höljet och skjut den på plats. Tryck in batterikassetten ordentligt tills den låser fast med ett klick. Om du kan se den röda indikatorn som bilden visar är den inte låst ordentligt.

**⚠ FÖRSIKTIGT:** Sätt alltid in batterikassetten helt tills den röda indikatorn inte längre syns. I annat fall kan den oväntat falla ur verktyget och skada dig eller någon annan.









**⚠ FÖRSIKTIGT:** Montera inte batterikassetten med våld. Om kassetten inte lätt glider på plats är den felinsatt.

### Indikerar kvarvarande batterikapacitet

**Endast för batterikassetter med indikator**

► **Fig.3:** 1. Indikatorlampor 2. Kontrollknapp

Tryck på kontrollknappen på batterikassetten för att se kvarvarande batterikapacitet. Indikatorlamporna lyser i ett par sekunder.

Indikatorlampor		Återstående kapacitet
Upplyst	Av	
		75% till 100%
		50% till 75%
		25% till 50%
		0% till 25%

**OBS:** Beroende på användningsförhållanden och den omgivande temperaturen kan indikationen skilja sig lätt från den faktiska batterikapaciteten.

## Skyddssystem för maskinen/ batteriet

Verktyget är utrustat med ett skyddssystem för verktyget/batteriet. Detta system bryter automatiskt strömmen till motorn för att förlänga verktygets och batteriets livslängd. Verktyget stoppar automatiskt under användningen om verktyget eller batteriet hamnar i en av följande situationer:

### Överbelastning:

Verktyget används på ett sätt som gör att den förbrukar onormalt mycket ström. När detta sker stänger du av verktyget och upphör med arbetet som gjorde att det överbelastades. Starta därefter upp verktyget igen. Om verktyget inte startar är batteriet överhettat. Låt då batteriet svalna innan du startar verktyget igen.

### Batterispänningen faller:

Den kvarvarande batterikapaciteten är för låg och verktyget fungerar inte. Om du trycker in avtryckaren går motorn igång men stannar snart igen. I detta läge tar du bort batteriet och laddar det.

## Avtryckarens funktion

**⚠ WARNING:** Innan du sätter in batterikassetten i maskinen ska du kontrollera att avtryckaren fungerar och återgår till läget "OFF" när du släpper den.

**⚠ WARNING:** Denna maskin är utrustad med en startspärr som förhindrar oavsiktlig start. Använd aldrig maskinen om den startar när du trycker in avtryckaren utan att ha tryckt in startspärren. Kontakta ditt lokala Makita-servicecenter för reparation.

**⚠ WARNING:** Deaktivera aldrig spärren och tejpa aldrig ner startspärren.

**OBSERVERA:** Tryck inte in avtryckaren med våld utan att först ha tryckt in startspärren. Avtryckaren kan gå sönder.

► **Fig.4:** 1. Startspärr 2. Avtryckare

En startspärr förhindrar oavsiktlig aktivering av avtryckaren.

Starta maskinen genom att först trycka in startspärren och sedan avtryckaren. Släpp avtryckaren för att stoppa maskinen. Startspärren kan tryckas in antingen från höger eller vänster sida.

## Inställning av sågvinkeln

**⚠ FÖRSIKTIGT:** Se alltid till att verktyget är avstängt innan du fäller in eller ut huvudet.

**⚠ FÖRSIKTIGT:** När du fäller in huvudet för att bära verktyget eller efter att ha använt verktyget, se då till att fästa bladskyddet innan du fäller in huvudet.

**⚠ FÖRSIKTIGT:** När du fäller in huvudet måste du vara försiktig så att du inte klämmer fingrarna mellan huvudet och verktygsstommen.

Huvudets vinkel kan justeras i 10 steg. Följ stegen nedan för att ändra vinkeln på huvudet.

1. Håll huvudet och verktygsstommen enligt figuren.  
► **Fig.5:** 1. Huvud 2. Vinkelinställningsknapp
2. Justera huvudets vinkel samtidigt som du håller ner vinkelinställningsknappen, och släpp sedan vinkelinställningsknappen.
3. Flytta huvudet lätt tills det låses fast med ett klick.

**OBS:** Se till att huvudet är ordentligt låst innan du använder verktyget.

## Justering av rörlängden

**⚠FÖRSIKTIGT:** Se alltid till att verktyget är avstängt innan du justerar rörlängden.

**⚠FÖRSIKTIGT:** Vid justering av rörlängden, se till att sätta fast bladskyddet innan rörlängden justeras.

**⚠FÖRSIKTIGT:** Var försiktig så du inte klämmer fingrarna när du justerar rörlängden.

**⚠FÖRSIKTIGT:** Se till att låsspaken är säkert låst.

**⚠FÖRSIKTIGT:** Ha verktyget liggande på sidan när rörlängden justeras. Om du ställer verktyget upprätt åker huvudet ner plötsligt, vilket kan orsaka skada.

Lossa låsspaken, justera sedan rörets längd och lås sedan låsspaken.

► **Fig.6:** 1. Låsspak

## Justera det främre handtagets position

**⚠FÖRSIKTIGT:** Se alltid till att verktyget är avstängt innan du justerar det främre handtagets position.

**⚠FÖRSIKTIGT:** Var försiktig så du inte klämmer fingrarna när du justerar det främre handtaget.

**⚠FÖRSIKTIGT:** Se till att den lätttrade muttern är säkert åtdragen.

**⚠FÖRSIKTIGT:** Flytta inte det främre handtaget längre än pilmarkeringen.

För att justera det främre handtagets position lossar du den lätttrade muttern genom att vrida den moturs, sedan justerar du det främre handtagets position, och sedan drar du åt den lätttrade muttern genom att vrida den medurs.

► **Fig.7:** 1. Lätttrad mutter 2. Pil

## MONTERING

**⚠FÖRSIKTIGT:** Se alltid till att maskinen är avstängd och batterikassetten borttagen innan du underhåller maskinen.

**⚠FÖRSIKTIGT:** Bär alltid handskar så att händerna inte kommer i direktkontakt med skärbladen när du byter dem.

## Montering eller borttagning av skärbladen

**⚠FÖRSIKTIGT:** Sätt på bladskyddet innan skärbladen monteras eller demonteras.

**OBSERVERA:** Torka inte av smörjfett från växel och vevhus vid byte av skärblad.

**OBS:** Innan skärbladen installeras eller tas bort, fäll ut huvudet på verktyget så att det är vinkelrätt mot verktygskroppen.

1. Placera maskinen upp och ner.
2. Ta bort de 4 skruvarna med en skruvmejsel och ta bort skärbladen.  
► **Fig.8:** 1. Skruv
3. Ta bort vevhuset från skärbladen.  
► **Fig.9:** 1. Vevhus

**OBS:** Vevhuset kan sitta kvar i maskinen.

4. Förbered vevhuset och de nya skärbladen.  
► **Fig.10:** 1. Vevhus 2. Skärblad
5. Ta av bladskyddet och sätt sedan fast det på de nya skärbladen.
6. Smörj vevhusets ytterkant något med smörjfett. Sätt fast brickan, kugghjulet och vevhuset på stiftet i tur och ordning.  
► **Fig.11:** 1. Vevhus 2. Kugghjul 3. Bricka 4. Stift
7. Justera vevhuset så att de 2 små hålen på vevhuset är inpassade mot grundlinjen enligt figuren.  
► **Fig.12:** 1. Grundlinje 2. Litet hål
8. Skjut skärbladen så att hålet i anhållet är placerat i mitten av bladens ringar.  
► **Fig.13:** 1. Anhåll
9. Sätt in skruven som togs bort i steg 2 i hålet på skärbladen genom hålet på bladskyddet.  
► **Fig.14:** 1. Hål
10. Sätt fast skärbladen på verktyget och dra sedan åt de 3 skruvarna med skruvmejseln.  
► **Fig.15:** 1. Skruv
11. Ta bort skruven som sattes in i hålet på skärbladen i steg 9, och spänn sedan åt den så att skärbladen fästs.

**OBSERVERA:** Om skärbladen inte fungerar som de ska sitter bladen inte ordentligt i vevhuset. Demontera bladen och montera dem på nytt.

**OBSERVERA:** Om andra delar än skärblad slits ut (t.ex. vevhus), kontakta Makitas auktoriserade servicecenter för utbytesdelar eller reparation.

## Montera eller demontera flisuppsamlare

### Extra tillbehör

**⚠ FÖRSIKTIGT:** Bär alltid handskar så att händerna inte kommer i direktkontakt med skärbladen när du installerar eller tar bort flisuppsamlaren.

**⚠ FÖRSIKTIGT:** Sätt fast bladskyddet innan du installerar eller tar bort flisuppsamlaren.

Flisuppsamlaren samlar upp löv och dylikt och gör det lättare att städa upp efter avslutat arbete. Den kan monteras på valfri sida av maskinen.

1. Passa in hålen på flisuppsamlaren med muttrarna på skärbladen.

► **Fig.16:** 1. Mutter

2. Haka fast klorna på flisuppsamlaren i spåret på skärbladen.

► **Fig.17:** 1. Klo 2. Spår

3. Tryck på spakarna på flisuppsamlaren, och haka sedan fast klorna på den andra sidan i spåret på skärbladen.

► **Fig.18:** 1. Spak

För att ta bort flisuppsamlaren trycker du på spakarna så att klorna lossnar.

► **Fig.19:** 1. Spak

**OBSERVERA:** Försök aldrig ta bort flisuppsamlaren med för stor kraft när klorna är fasthakade i spåren på skärbladen.

## ANVÄNDNING

### Användning av verktyget

**⚠ VARNING:** Använd inte verktyget nära några elektriska kraftledningar. Kontakt med kraftledningar eller användning i närheten av dem kan orsaka allvarlig skada eller elektrisk stöt med dödsfall som följd.

**⚠ VARNING:** Håll händerna borta från skärbladen.

**⚠ VARNING:** Var ytterst försiktig så att du alltid behåller kontrollen över maskinen. Låt aldrig maskinen vridas mot dig eller någon annan i närheten. Om du mister kontrollen över maskinen kan detta orsaka allvarliga personskador på åskådare eller dig själv.

**⚠ FÖRSIKTIGT:** Undvik i mesta möjliga mån att använda maskinen i brännande solsken. Var rädd om dig när du använder maskinen.

**⚠ FÖRSIKTIGT:** Var försiktig så att du inte kommer i kontakt med ett metallstängsel eller andra hårda objekt under trimningen. Skärbladen kan gå av och orsaka skada.

**⚠ FÖRSIKTIGT:** Se till att skärbladen inte kommer i kontakt med marken. Maskinen kan då skjuta iväg stenar och dylikt och orsaka skador.

**⚠ FÖRSIKTIGT:** Att sträcka sig för långt med en häcksax, särskilt från en stega, är extremt farligt. Arbeta inte när du står på ett underlag som inte är fast eller stabilt.

**OBSERVERA:** Försök inte att klippa av grenar som är tjockare än 10 mm i diameter med verktyget. Klipp stora grenar till 10 cm lägre än klipphöjden med en grensax innan du använder detta verktyg.

► **Fig.20:** (1) Klipphöjd (2) 10 cm

**OBSERVERA:** Klipp inte ner döda träd eller liknande hårda föremål. Det kan skada maskinen.

**OBSERVERA:** Trimma inte gräs eller ogräs med skärbladen. Skärbladen kan trassla in sig i gräset eller ogräset.

Håll verktyget med båda händerna genom att hålla i det främre och bakre handtaget.

► **Fig.21:** 1. Främre handtaget 2. Bakre handtaget

Tryck in avtryckaren samtidigt som du trycker på säkerhetsknappen, och för sedan verktyget framåt.

► **Fig.22**

För grundläggande användning, luta skärbladen i trimningsriktningen och flytta maskinen lugnt och långsamt med en hastighet på 3 till 4 sekunder per meter.

► **Fig.23**

Klipp underifrån och uppåt för att klippa en häcksida rakt.

► **Fig.24**

För att trimma något i en rund form (t.ex. buxbom eller rhododendron) trimma från rötterna och uppåt för ett vackert resultat.

► **Fig.25**

Om flisuppsamlaren fästs i skärbladen samlar den upp bortklippta löv och gör det lättare att städa upp efter avslutat arbete.

► **Fig.26**

## UNDERHÅLL

**⚠ FÖRSIKTIGT:** Se alltid till att maskinen är avstängd och batterikassetten borttagen innan inspektion eller underhåll utförs.

**⚠ FÖRSIKTIGT:** Lägg alltid ner verktyget när du ska inspektera det eller utföra underhåll. Om du monterar eller justerar verktyget i upprätt läge kan det leda till allvariga skador.

För att upprätthålla produktens SÄKERHET och TILLFÖRLITLIGHET bör allt underhålls- och justeringsarbete utföras av ett auktoriserat Makita servicecenter och med reservdelar från Makita.

### Rengöra maskinen

Rengör maskinen genom att torka av damm med en torr trasa, eller en urvriden trasa fuktad med såpvatten.

**OBSERVERA:** Använd inte bensin, förtunningsmedel, alkohol eller liknande. Missfärgning, deformation eller sprickor kan uppstå.

## Underhåll av skärblad

Innan användning eller en gång i timmen under användning bör skärbladen smörjas med lågviskositetsolja (maskinolja eller smörjolja i sprayform).

► Fig.27

Avlägsna efter användning damm från båda sidorna av skärbladen med en trådborste. Torka av med en trasa och smörj sedan skärbladen med lågviskositetsolja (maskinolja eller smörjolja i sprayform).

► Fig.28

**OBSERVERA:** Tvätta inte skärbladen i vatten. Det kan göra att maskinen rostar eller skadas.

**OBSERVERA:** Smuts och rost orsakar förhöjd friktion i skärbladet och förkortar användningstiden per batteriladdning.

### Förvaring

Sätt på bladskyddet på skärbladen så att bladen inte exponeras och riskerar att skadas. Förvara maskinen utom räckhåll för barn. Förvara maskinen på en plats som inte utsätts för fukt eller regn.

## FELSÖKNING

Innan du ber om reparation ska du först utföra en egen kontroll. Om du hittar ett problem som inte finns förklarat i bruksanvisningen ska du inte försöka att ta isär maskinen. Fråga istället ett auktoriserat servicecenter för Makita, och använd alltid reservdelar från Makita för reparationer.

Feltillstånd	Trolig orsak (felfunktion)	Åtgärd
Motorn går inte.	Batterikassetten har inte satts i.	Sätt i batterikassetten.
	Batteriproblem (underspänning)	Ladda upp batteriet. Om det inte hjälper att ladda batteriet byter du ut det.
	Drivsytetmet fungerar inte som det ska.	Lämna in till ditt lokala auktoriserade servicecenter för reparation.
Motorn stannar efter en kort stunds användning, eller går inte alls.	Batterinivån är låg.	Ladda upp batteriet. Om det inte hjälper att ladda batteriet byter du ut det.
	Överhettning.	Sluta använda maskinen och låt den svalna.
Verktyget når inte det maximala varvtalet.	Batteriet är felaktigt isatt.	Sätt i batterikassetten enligt anvisningarna i denna bruksanvisning.
	Batterinivån sjunker.	Ladda upp batteriet. Om det inte hjälper att ladda batteriet byter du ut det.
	Drivsytetmet fungerar inte som det ska.	Lämna in till ditt lokala auktoriserade servicecenter för reparation.
Skärbladen rör sig inte: ⇒ Stoppa maskinen omedelbart!	Olämplig vinkel för skärbladen.	Se till att huvudet sitter säkert fast i arbetsvinkeln.
	Främmande föremål har fastnat mellan skärbladen.	Stäng av verktyget och ta bort batterikassetten, och ta sedan bort de främmande föremålen med verktyg som t.ex. en lång.
	Drivsytetmet fungerar inte som det ska.	Lämna in till ditt lokala auktoriserade servicecenter för reparation.
Onormal vibration: ⇒ Stoppa maskinen omedelbart!	Skärbladen är brustna, böjda eller slitna.	Byt ut skärbladen.
	Drivsytetmet fungerar inte som det ska.	Lämna in till ditt lokala auktoriserade servicecenter för reparation.
Skärbladen och motorn kan inte stanna: ⇒ Ta omedelbart ur batteriet!	Elektriskt funktionsfel.	Ta ur batteriet och lämna in till ditt lokala auktoriserade servicecenter för reparation.



# VALFRIA TILLBEHÖR

**⚠ FÖRSIKTIGT:** Följande tillbehör eller tillsatser rekommenderas för användning med den Makita-maskin som denna bruksanvisning avser. Om andra tillbehör eller tillsatser används kan det uppstå risk för personskador. Använd endast tillbehören eller tillsatserna för de syften de är avsedda för.

Kontakta ditt lokala Makita servicecenter om du behöver ytterligare information om dessa tillbehör.

- Skärbladstillsats
- Flisuppsamlare
- Fettkärl
- Makitas originalbatteri och laddare

**OBS:** Några av tillbehören i listan kan vara inkluderade i maskinpaketet som standardtillbehör. De kan variera mellan olika länder.



## TEKNISKE DATA

Modell:	UN460WD
Bladlengde	460 mm
Slag per minutt	3 600 min <sup>-1</sup>
Skjærebbladvinkel	135° (opp 60°, ned 75°)
Total lengde	1 889 - 2 511 mm
Merkespenning	DC 10,8 V - 12 V maks
Nettovekt	2,8 - 3,0 kg

- På grunn av vårt kontinuerlige forsknings- og utviklingsprogram kan spesifikasjonene som oppgis i dette dokumentet endres uten varsel.
- Spesifikasjonene kan variere fra land til land.
- Vekten kan variere avhengig av tilbehøret/tilbehørene, inkludert batteriet. Den letteste og tyngste kombinasjonen, i henhold til EPTA-prosedyre 01/2014, vises i tabellen.

## Passende batteri og lader





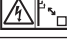

Batteriinnsets	BL1016 / BL1021B / BL1041B
Lader	DC10SA / DC10SB / DC10WC / DC10WD / DC18RE

- Noen av batteriene og laderne som er opplistet ovenfor er kanskje ikke tilgjengelige, avhengig av hvor du bor.

**⚠ ADVARSEL: Bruk kun de batteriene og laderne som er opplistet ovenfor. Bruk av andre batterier og ladere kan føre til personskader og/eller brann.**

## Symboler

Nedenfor ser du symbolene som kan brukes for dette utstyret. Forviss deg om at du forstår hva de betyr, før du begynner å bruke maskinen.

	Les bruksanvisningen.
	Må ikke utsettes for fuktighet.
	Bruk hjelm, vernebriller og hørselsvern.
	FARE – Hold hendene veg fra bladet.
	Pass opp for elektriske ledninger, fare for elektrisk støt.
	Hold en avstand på minst 15 m.



Kun for EU-land

På grunn av forekomst av farlige komponenter i utstyret, kan avfall fra elektrisk og elektronisk utstyr, akkumulatører og batterier ha en negativ innvirkning på miljøet og menneskers helse.

Ikke kast elektriske og elektroniske apparater eller batterier sammen med husholdningsavfall!

I samsvar med det europeiske direktivet om avfall fra elektrisk og elektronisk utstyr og om akkumulatører og batterier samt akkumulatører og batterier skal kastes, samt deres tilpasning til nasjonal lovgivning, skal brukt elektrisk utstyr samt brukte batterier og akkumulatører samles inn separat og leveres til et eget innsamlingssted for kommunalt avfall, som driver virksomhet i samsvar med miljøvernforordningene.

Dette er angitt av symbolet med den overkryssede avfallsbeholderen som er plassert på utstyret.



Garantert lydeffektnivå i henhold til EU-direktivet om støy fra utstyr til utendørs bruk.



Lydeffektnivå i henhold til Australia NSW støykontrollforskrift

## Riktig bruk

Dette verktøyet er kun beregnet på å klippe hekker.

## Støy

Typisk A-vektet lydtrykknivå er bestemt i henhold til EN62841-4-2:

Lydtrykknivå ( $L_{pA}$ ): 74 dB (A)

Usikkerhet (K): 3 dB (A)

Støynivået under arbeid kan overskride 80 dB (A).

**MERK:** Den/de oppgitte verdien(e) for genererte vibrasjoner har blitt målt i henhold til standard testmetoder, og kan bli brukt til å sammenligne ett verktøy med et annet.

**MERK:** Den/de angitte verdien(e) for de genererte vibrasjonene kan også brukes til en foreløpig vurdering av eksponeringen.

**⚠ ADVARSEL:** Bruk hørselsvern.

**⚠ ADVARSEL:** De genererte vibrasjonene ved faktisk bruk av elektroverktøyet kan avvike fra den/de angitte vibrasjonsverdien(e), avhengig av hvordan verktøyet brukes.

**⚠ ADVARSEL:** Sørg for å identifisere vernetiltak for å beskytte operatøren, som er basert på et estimat av eksponeringen under de faktiske bruksforholdene (idet det tas hensyn til alle deler av driftssyklusen, dvs. hvor lenge verktøyet er slått av, hvor lenge det går på tomgang og hvor lenge startbryteren faktisk holdes trykket).

## Vibrasjoner

Gjeldende standard : EN62841-4-2

Venstre hånd (fremre grep)		Høyre hånd (bakre håndtak)	
$a_n$ (m/s <sup>2</sup> )	Usikkerhet K (m/s <sup>2</sup> )	$a_n$ (m/s <sup>2</sup> )	Usikkerhet K (m/s <sup>2</sup> )
2,5 m/s <sup>2</sup> eller mindre	1,5	2,5 m/s <sup>2</sup> eller mindre	1,5

**MERK:** Den/de oppgitte verdien(e) for totalt genererte vibrasjoner har blitt målt i henhold til standard testmetoder, og kan bli brukt til å sammenligne ett verktøy med et annet.

**MERK:** Den/de angitte verdien(e) for totalt genererte vibrasjoner kan også brukes til en foreløpig vurdering av eksponeringen.

**⚠ ADVARSEL:** De genererte vibrasjonene ved faktisk bruk av elektroverktøyet kan avvike fra den/de angitte vibrasjonsverdien(e), avhengig av hvordan verktøyet brukes og spesielt i forhold til arbeidsstykket som blir behandlet.

**⚠ ADVARSEL:** Sørg for å identifisere vernetiltak for å beskytte operatøren, som er basert på et estimat av eksponeringen under de faktiske bruksforholdene (idet det tas hensyn til alle deler av driftssyklusen, dvs. hvor lenge verktøyet er slått av, hvor lenge det går på tomgang og hvor lenge startbryteren faktisk holdes trykket).

## EFs samsvarserklæring

Gjelder kun for land i Europa

EFs samsvarserklæring er lagt til som vedlegg A i denne bruksanvisningen.

## SIKKERHETSADVARSEL

### Generelle advarsler angående sikkerhet for elektroverktøy

**⚠ ADVARSEL:** Les alle sikkerhetsadvarsler, instruksjoner, illustrasjoner og spesifikasjoner som følger med dette elektroverktøyet. Hvis ikke alle instruksjonene nedenfor følges, kan det forekomme elektrisk støt, brann og/eller alvorlig skade.

### Oppbevar alle advarsler og instruksjoner for senere bruk.

Uttrykket «elektrisk verktøy» i advarslene refererer både til elektriske verktøy (med ledning) tilkoblet strømmenettet, og batteridrevne verktøy (uten ledning).

## Sikkerhetsadvarsler for batteridrevet stanghekktrimmer

- Hold alle deler av kroppen borte fra bladet. Ikke forsøk å fjerne kapp eller å holde fast materiale som skal kuttes, mens bladene er i bevegelse.** Bladene fortsetter å bevege seg etter at bryteren slås av. Et øyeblikks uoppmerksomhet mens du bruker hekktrimmeren kan være nok til å forårsake alvorlige personskader.
- Bær hekktrimmeren i hånden med bladet stoppet, og pass på å ikke komme borti noen strømbrytere.** Hvis du bærer hekktrimmeren riktig, reduserer det faren for å starte den utilsiktede slik at bladene forårsaker personskader.
- Før transport eller oppbevaring av hekktrimmeren må bladdekelet alltid settes på.** Korrekt håndtering av hekktrimmeren vil redusere faren for at bladene forårsaker personskader.
- Når du skal fjerne materiale som sitter fast eller utføre service på enheten, må du kontrollere at alle strømbrytere er slått av og at batteripakken er tatt ut eller frakoblet.** Uventet aktivering av hekktrimmeren mens du fjerner materiale som sitter fast eller utfører service, kan forårsake alvorlige personskader.

5. **Hekktrimmeren skal kun holdes i de isolerte håndtakene, ettersom bladet kan komme i kontakt med skjulte ledninger.** Hvis bladene kommer i kontakt med en strømførende ledning, kan metalldelene på hekktrimmeren bli strømførende og føre til at brukeren får støt.
6. **Hold alle strømledninger og kabler unna kappeområdet.** Strømledninger eller kabler kan være skjult i hekker eller busker og utilsikket bli kappet av bladet.
7. **Ikke bruk hekktrimmeren under dårlige værforhold, spesielt hvis det er fare for lyn.** Dette reduserer faren for å bli truffet av lyn.
8. **Stanghekktrimmeren må aldri brukes nær høyspente strømlinjer, etter som det kan føre til død ved elektrisk strøm.** Kontakt med eller nær strømlinjer kan forårsake alvorlige skader eller elektrisk støt som fører til død.
9. **Du må alltid bruke begge hender når du bruker stanghekktrimmeren.** Hold stanghekktrimmeren med begge hender for å unngå å miste kontrollen.
10. **Du må alltid ha på det hodebeskyttelse når du bruker stanghekktrimmeren over hodehøyde.** Gjenstander som faller ned kan forårsake alvorlige personskader.
10. **Unngå farlige omgivelser. Ikke bruk utstyret i fuktige eller våte omgivelser, og ikke utsett det for regn.** Hvis det kommer vann inn i verktøyet, vil risikoen for elektriske støt øke.

#### Personlig verneutstyr

1. **Arbeidshansker av kraftig skinn inngår i det grunnleggende utstyret til hekktrimmeren og må alltid brukes under arbeidet med den.** Bruk også robuste sko med sklisikre såler.
2. **Bruk hørselsvern, f.eks. øreklokker, for å unngå hørselstap.**
3. **Bruk vernebriller, sikkerhetshjelm og vernehansker for å beskytte deg selv mot flygende eller fallende gjenstander.**
4. **Bruk vernehansker når du tar på bladene eller justerer bladvinkelen.** Bladene kan føre til alvorlige kuttskader på ubeskyttede hender.

#### Bruk

1. **Bruk alltid to hender når du bruker verktøyet.** Hvis du bruker én hånd, kan du miste kontrollen og forårsake alvorlige personskader.
2. **Når du bruker verktøyet, må du alltid sørge for at arbeidstillingen er trygg og sikker.** Å leneseg ut over noe med verktøyet, særlig fra en stige, er svært farlig. Når du jobber, må du ikke stå på noe som er ustøtt eller ustabil.
3. **Ikke ha på deg flere belteseler og/eller skulderseler samtidig når du bruker verktøyet.**
4. **Andre personer eller dyr må holdes på minst 15 meters avstand når verktøyet er i bruk.** Stans verktøyet umiddelbart så snart noen nærmer seg.
5. **Hvis skjæreverktøyet treffer en gjenstand eller hvis verktøyet begynner å lage uvanlig støy, slår du av verktøyet og tar ut batteriet umiddelbart, og venter til verktøyet stopper.** Deretter iverksetter du følgende tiltak:
  - inspisert for skader
  - kontroller og stram alle løs deler
  - skift ut eller reparer skadde deler med originale reservedeler.
6. **Verktøyet skal kun brukes til tiltenkt formål.** Ikke bruk verktøyet til andre formål.
7. **Slå av verktøyet, og ta ut batteriet før du:**
  - rengjør eller fjerner en blokkering,
  - kontrollerer, utfører vedlikehold eller jobber på verktøyet,
  - justerer skjærebladenes arbeidsstilling,
  - forlater verktøyet uten tilsyn.
8. **Kontroller at verktøyet er riktig plassert i en angitt arbeidsstilling før du starter verktøyet.**
9. **Ikke bruk er verktøy som er skadet eller hvis skjærebladene er veldig slitte.**
10. **Vær alltid oppmerksom på omgivelsene, og vær årvåken med tanke på mulige farer som du kanskje ikke legger merke til på grunn av støyen fra verktøyet.**
11. **Vær forsiktig så du ikke utilsikket kommer borti et metallgjerde eller andre harde gjenstander under bruk.** Bladet vil brenke og kan forårsake alvorlige personskader.

## Flere sikkerhetsinstruksjoner

### Klargjøring

1. **DENNE HEKKTRIMMEREN KAN FORÅRSAKE ALVORLIGE SKADER.** Les nøye gjennom bruksanvisningen for å finne ut hvordan du bruker, klargjør, vedlikeholder starter og stopper verktøyet på riktig måte. Gjør deg kjent med alle kontrollene, og sett deg inn i hvordan verktøyet fungerer.
2. **Kontroller at det ikke er noen fremmedlegemer i hekkene eller buskene, som piggråd eller skjulte kabler.**
3. **Hekktrimmeren må ikke brukes av barn eller unge under 18 år.** Det kan gjøres unntak for ungdom over 16 år hvis de får opplæring under overoppsyn av en ekspert.
4. **I et nødstilfelle skal verktøyet slås av øyeblikkelig og batteriet tas ut.**
5. **FARE - Hold hendene unna bladet.** Kontakt med bladet vil forårsake alvorlig personskade.
6. **Førstegangsbrukere skal få en erfaren bruker av til å vise dem hvordan verktøyet skal brukes.**
7. **Undersøk området for nettinggjerder, steiner og andre harde gjenstander før du begynner bruken.** De kan ødelegge bladene.
8. **Bruk hekktrimmeren kun hvis du er i god fysisk form.** Trethet fører til uaktsomhet. Vær spesielt forsiktig på slutten av arbeidsdagen. Utfør alt arbeid rolig og forsiktig. Brukeren er ansvarlig for all skader på tredjepart.
9. **Før du begynner å jobbe, må du kontrollere at hekktrimmeren er funksjonsdyktig og i god stand.** Påse at vernene er satt skikkelig på. Hekktrimmeren må ikke brukes med mindre den er satt helt sammen.

12. **Unngå utilsiktet start.** Ikke bær verktøyet med batteriet satt i og med en finger på bryteren. Kontroller at bryteren er slått av før du setter i batteriet.
13. **Ikke grip tak i skjæreblader eller skjærekanten** når du plukker opp eller holder verktøyet.
14. **Ikke bruk makt på verktøyet.** Det vil gjøre jobben bedre og med mindre risiko for skader i den hastigheten det er konstruert for.
15. **Ikke bruk verktøyet når det regner eller når luftfuktigheten er veldig høy.** Den elektriske motoren er ikke vannrett.
16. **Hold verktøyet i et fast grep** når du bruker det.
17. **Ikke bruk verktøyet uten belastning, hvis det ikke er nødvendig.**
18. **Før du kontrollerer skjærebladene, utbedrer feil eller fjerner fremmedlegemer som har satt seg fast i skjærebladene, må du alltid slå av verktøyet og ta ut batteriet.**
19. **Du må aldri rette skjærebladene mot deg selv eller andre.**
20. **Hvis bladene slutter å bevege seg på grunn av fremmedlegemer som sitter fast mellom bladene under drift, må du slå av verktøyet og ta ut batterikassetten, og deretter fjerne fremmedlegemene med et verktøy slik som for eksempel en tang.** Å fjerne greiner eller avfall som har satt seg fast med hendene, kan medføre til en personskaade, da sagbladene kan bevege seg som reaksjon på at fremmedlegemene fjernes.

#### Elektrisk sikkerhet og batterisikkerhet

1. **Unngå farlige omgivelser. Ikke bruk verktøyet i fuktige eller våte omgivelser, og ikke utsett det for regn.** Hvis det kommer vann inn i verktøyet, vil risikoen for elektriske støt øke.
2. **Ikke kast batteriet (batteriene) på åpen ild.** Cellen kan eksplodere. Batterier skal leveres til en forhandler av elektroutstyr eller til et kommunalt avfallsmottak.
3. **Ikke åpne eller ødelegg batteriet (batteriene).** Elektrolytt som lekker ut er korroderende, og kan forårsake skader på øyne og hud. Den kan være giftig hvis den svelges.
4. **Ikke skift batteri når det regner, eller i fuktige omgivelser.**
5. **Ikke lad batteriet utendørs.**
6. **Ikke håndter laderen, inkludert laderstøpselet og laderterminalene, med våte hender.**

#### Vedlikehold og oppbevaring

1. **Når du stopper verktøyet i forbindelse med service, inspeksjon eller oppbevaring, slår du det av og tar ut batteriet, samtidig som du passer på at alle bevegelige deler har stoppet opp.** La verktøyet avkjøles før du inspiserer, justerer, osv.
2. **La alltid verktøyet avkjøles før det settes til oppbevaring.**
3. **Når verktøyet ikke er i bruk, festes bladdekselet på verktøyet, og verktøyet oppbevares tørt og høyt innelåst – utilgjengelig for barn.**

4. **Vær nøye med vedlikeholdet.** Hold skjærekanten skarp og ren for optimal ytelse og for å redusere faren for personskader. Følg instruksjonene for smøring og skifting av tilbehør. Hold grepene tørre, rene og frie for olje og smørefett.
5. **Kontroller skadde deler.** Før videre bruk av verktøyet må du foreta en grundig sjekk av ev. skadde deler for å fastslå om de vil fungere som de skal og fylle sin tiltenkte funksjon. Kontroller at bevegelige deler beveger seg riktig i forhold til hverandre, at bevegelige deler kan bevege seg fritt, om noen deler er brukket, om monteringen er som den skal, eller om andre forhold kan påvirke utstyrets funksjon. Et vern eller en annen del som er skadet, må repareres ordentlig eller skiftes av det autoriserte servicesenteret.
6. **Bruk kun originale reservedeler.**
7. **Når du flytter verktøyet til et annet sted, inkludert under arbeid, må du alltid ta ut batteriet og dekke til skjærebladene med bladdekselet.** Verktøyet må aldri bæres eller transporteres mens bladene er i bevegelse. Grip aldri om bladene med hendene.
8. **Rengjør verktøyet og særlig skjærebladene etter bruk og før du setter bort verktøyet for oppbevaring i en lengre periode.** Olje skjærebladene forsiktig, og sett på bladdekselet.
9. **Ikke kast batteriet (batteriene) på åpen ild.** Cellen kan eksplodere. Batterier skal leveres til en forhandler av elektroutstyr eller til et kommunalt avfallsmottak.
10. **Ikke åpne eller ødelegg batteriet (batteriene).** Elektrolytt som lekker ut er korroderende og kan forårsake skader på øyne og hud. Den kan være giftig hvis den svelges.
11. **Ikke skift batteri når det regner, eller i fuktige omgivelser.**

## TA VARE PÅ DISSE INSTRUKSENE.

**⚠ADVARSEL:** IKKE LA hensynet til hva som er "behagelig" eller det faktum at du kjenner produktet godt (etter mange gangers bruk) gjøre deg mindre oppmerksom på sikkerhetsreglene for bruken av det aktuelle produktet. Ved MISBRUK eller hvis ikke sikkerhetsreglene i denne bruksanvisningen følges, kan det oppstå alvorlig personskaade.

### Viktige sikkerhetsanvisninger for batteriinnsetts

1. **Før du begynner å bruke batteriet, må du lese alle anvisninger og forsiktighetsregler på (1) batteriladeren, (2) batteriet og (3) det produktet batteriet skal brukes i.**
2. **Ikke demonter eller tukle batteriet.** Det kan føre til brann, overoppheting eller eksplosjon.
3. **Hvis driftstiden er blitt vesentlig kortere, må du omgående slutte å bruke maskinen.** Hvis ikke kan resultatet bli overoppheting, mulige forbrenninger eller til og med en eksplosjon.

4. Hvis du får elektrolytt i øynene, må du skylle dem med store mengder rennende vann og oppsøke lege med én gang. Denne typen uhell kan føre til varig blindhet.
5. Ikke kortslutt batteriet:
  - (1) De kan være ekstremt varme og du kan brenne deg.
  - (2) Ikke lagre batteriet i samme beholder som andre metallgjenstander, som for eksempel spiker, mynter osv.
  - (3) Ikke la batteriet komme i kontakt med vann eller regn.

En kortslutning av batteriet kan føre til et kraftig strømstøt, overoppvarming, mulige forbrenninger og til og med til at batteriet går i stykker.
6. Ikke oppbevar og bruk verktøyet og batteriet på steder hvor temperaturen kan komme opp i eller overskride 50 °C.
7. Ikke sett fyr på batteriet, ikke engang om det er sterkt skadet eller helt utslitt. Batteriet kan eksplodere hvis det begynner å brenne.
8. Du må ikke spikre, skjære, klemme, kaste eller miste batteriet, og heller ikke slå en hard gjenstand mot batteriet. En slik oppførsel kan føre til brann, overoppheting eller eksplosjon.
9. Ikke bruk batterier som er skadet.
10. Lithium-ion-batteriene som medfølger er gjenstand for krav om spesialavfall. For kommersiell transport, f.eks av tredjeparter eller speditører, må spesielle krav om pakking og merking følges. Før varen blir sendt, må du forhøre deg med en ekspert på farlig materiale. Ta også hensyn til muligheten for mer detaljerte nasjonale bestemmelser. Bruk teip eller maskeringsteip for å skjule åpne kontakter og pakk inn batteriet på en slik måte at den ikke kan bevege seg rundt i emballasjen.
11. Når du kasserer batteriinnsetsen, må du ta den ut av verktøyet og avhende den på et sikkert sted. Følg lokale bestemmelser for avhending av batterier.
12. Bruk batteriene kun med produkter spesifisert av Makita. Montere batteriene i produkter som ikke er konforme kan føre til brann, overheting eller elektrolyttlekkasje.
13. Hvis verktøyet ikke skal brukes over en lengre periode, må batteriet tas ut av verktøyet.
14. Under og etter bruk kan batteriet bli varmt og før til brannskader. Vær forsiktig med håndteringen av varme batterier.
15. Ikke berør terminalen på verktøyet rett etter bruk, da den kan bli varm og forårsake brannskader.
16. Ikke la spon, støv eller jord sette seg fast i terminalene, hullene og sporene i batteriet. Det kan føre til dårlig ytelse eller at verktøyet eller batteriet slutter å fungere.
17. Med mindre verktøyet støtter bruk nær en høyspent strømlinje, skal ikke batteriet brukes nær en høyspent strømlinje. Det kan føre til en funksjonsfeil eller at verktøyet eller batteriet slutter å fungere.
18. Oppbevar batteriet utilgjengelig for barn.

## TA VARE PÅ DISSE INSTRUKSENE.

**⚠FORSIKTIG:** Bruk kun originale Makita-batterier. Bruk av batterier som har endret seg, eller som ikke er originale Makita-batterier, kan føre til at batteriet sprekker og forårsaker brann, personskader og andre skader. Det vil også ugyldiggjøre garantien for Makita-verktøyet og -laderen.

## Tips for å opprettholde maksimal batterilevetid

1. Lad batteriinnsetsen før den er helt utladet. Stopp alltid driften av verktøyet og lad batteriinnsetsen når du merker at effekten reduseres.
2. Lad aldri en batteriinnsets som er fulladet. Overopplading forkorter batteriets levetid.
3. Lad batteriet i romtemperatur ved 10 °C - 40 °C. Et varmt batteri må kjøles ned før lading.
4. Når batteriet ikke er i bruk, skal det tas ut av verktøyet eller laderen.

## DELEBESKRIVELSE

► Fig.1

1	Hode	2	Vinkeljusteringsknapp	3	Sperrespak	4	Fingermutter
5	Fremre håndtak	6	Bakre håndtak	7	Batteriinnsets	8	Startbryter
9	AV-sperreknapp	10	Skjæreblader	-	-	-	-

# FUNKSJONSBSKRIVELSE

**⚠FORSIKTIG:** Forviss deg alltid om at maskinen er slått av og batteriet tatt ut før du justerer maskinen eller kontrollerer dens mekaniske funksjoner.

## Sette inn eller ta ut batteri

**⚠FORSIKTIG:** Slå alltid av verktøyet før du setter inn eller fjerner batteriet.

**⚠FORSIKTIG:** Hold verktøyet og batteripatronen i et fast grep når du monterer eller fjerner batteripatronen. Hvis du ikke holder verktøyet og batteripatronen godt fast, kan du miste grepet, og dette kan føre til skader på verktøyet og batteripatronen samt personskader.

► **Fig.2:** 1. Rød indikator 2. Knapp 3. Batteriinnsetts

For å ta ut batteriet må du skyve på knappen foran på batteriet og trekke det ut.

Når du skal sette inn batteriet, må du plassere tungen på batteriet på linje med sporet i huset og skyve batteriet på plass. Skyv det helt inn til det går i inngrep med et lite klikk. Hvis du kan se den røde indikatoren som vist i figuren, er det ikke helt løst.

**⚠FORSIKTIG:** Batteriet må alltid settes helt inn, så langt at den røde indikatoren ikke lenger er synlig. Hvis dette ikke gjøres, kan batteriet falle ut av verktøyet og skade deg eller andre som oppholder seg i nærheten.









**⚠FORSIKTIG:** Ikke bruk makt når du setter i batteriet. Hvis batteriet ikke glir lett inn, er det fordi det ikke settes inn på riktig måte.

## Indikere gjenværende batterikapasitet

**Kun for batterier med indikatoren**

► **Fig.3:** 1. Indikatorlamper 2. Kontrollknapp

Trykk på sjekk-knappen på batteriet for vise gjenværende batterikapasitet. Indikatorlampene lyser i et par sekunder.

Indikatorlamper		Gjenværende batterinivå
Tent	Av	
		75% til 100%
		50% til 75%
		25% til 50%
		0% til 25%

**MERK:** Det angitte nivået kan avvike noe fra den faktiske kapasiteten alt etter bruksforholdene og den omgivende temperaturen.

## Batterivernsystem for verktøy/batteri

Verktøyet er utstyrt med et batterivernsystem for verktøy/batteri. Dette systemet kutter automatisk strømmen til motoren for å forlenge verktøyets og batteriets levetid. Verktøyet stopper automatisk under drift hvis verktøyet eller batteriet utsettes for en av følgende tilstander:

### Overbelastning:

Verktøyet brukes på en måte som gjør at det trekker uvanlig mye strøm. Hvis dette skjer, må du slå av verktøyet og avslutte bruken som forårsaket at verktøyet ble overbelastet. Slå deretter verktøyet på for å starte det igjen.

Hvis verktøyet ikke starter, er batteriet overbelastet. I så fall må du la batteriet kjøle seg ned før du slår verktøyet på igjen.

### Lav batterispenning:

Gjenværende batterikapasitet er for lav og verktøyet vil ikke fungere. Når du starter verktøyet, starter motoren, men den stopper like etterpå. I dette tilfellet, fjern og lad batteriet opp igjen.

## Bryterfunksjon

**⚠ADVARSEL:** Før du setter batteriet inn i maskinen, må du alltid kontrollere at startbryteren aktiverer maskinen på riktig måte og går tilbake til «AV»-stilling når den slippes.

**⚠ADVARSEL:** Av hensyn til din egen sikkerhet er dette verktøyet utstyrt med en AV-sperreknapp som forhindrer utilsiktet start av verktøyet. Verktøyet må aldri brukes hvis det begynner å gå bare du trykker på startbryteren, uten at du må trykke på AV-sperreknappen i tillegg. Be nærmeste Makita-servicesenter om å reparere det.

**⚠ADVARSEL:** Du må aldri deaktivere låsefunksjonen eller teipe fast AV-sperreknappen.

**OBS:** Ikke trykk hardt på startbryteren uten å trykke på AV-sperreknappen. Bryteren kan bli ødelagt.

► **Fig.4:** 1. AV-sperreknapp 2. Startbryter

For å unngå at noen drar i startbryteren ved en feiltakelse er verktøyet utstyrt med en AV-sperreknapp. Trykk på AV-sperreknappen og startbryteren for å starte verktøyet. Slipp bryteren når du vil stanse verktøyet. AV-sperreknappen kan trykkes fra enten høyre eller venstre side.

## Justere skjærevinkelen

**⚠FORSIKTIG:** Pass alltid på at verktøyet slås av før foldes sammen eller foldes ut.

**⚠FORSIKTIG:** Når du folder hodet for å bære verktøyet eller etter bruk av verktøyet, må du sette på bladdekselet før du folder hodet.

**⚠FORSIKTIG:** Når du folder hodet, må du passe på at du ikke klemmer fingrene mellom hodet og verktøykroppen.

Hodets vinkel kan justeres i 10 trinn. Følg trinnene nedenfor når du skal endre hodets vinkel.

1. Hold hodet og verktøykroppen som vist i figuren.

► **Fig.5:** 1. Hode 2. Vinkeljusteringsknapp

2. Juster hodets vinkel mens du holder nede vinkeljusteringsknappen, og deretter slipper du vinkeljusteringsknappen.

3. Beveg hodet litt til det låses med et klikk.

**MERK:** Kontroller at hodet sitter godt fast før du bruker verktøyet.

## Justere rørlengden

**⚠FORSIKTIG:** Du må alltid slå av verktøyet før du justerer rørlengden.

**⚠FORSIKTIG:** Når du skal justere rørlengden, må du sette på bladdekslet før du justerer rørlengden.

**⚠FORSIKTIG:** Når du justerer rørlengden, må du være forsiktig så du ikke klemmer fingrene.

**⚠FORSIKTIG:** Kontroller at sperrespaken står i lås.

**⚠FORSIKTIG:** Når du skal justere rørlengden, legger du verktøyet på siden. Hvis du setter verktøyet i stående stilling, vil hodet falle brått ned, og dette kan føre til personskader.

Løsne sperrespaken, juster lengden på røret, og lås deretter sperrespaken.

► **Fig.6:** 1. Sperrespak

## Justere det fremre grepets stilling

**⚠FORSIKTIG:** Du må alltid slå av verktøyet før du justerer det fremre grepets stilling.

**⚠FORSIKTIG:** Når du justerer det fremre grepets stilling, må du være forsiktig så du ikke klemmer fingrene.

**⚠FORSIKTIG:** Kontroller at fingermutteren er trukket godt fast.

**⚠FORSIKTIG:** Ikke flytt det fremre grepet forbi pilmerket.

Når du skal justere det fremre grepets stilling, løsner du fingermutteren ved å dreie den mot klokken. Deretter justerer du det fremre grepets stilling og trekker til fingermutteren ved å dreie den med klokken.

► **Fig.7:** 1. Fingermutter 2. Pilmerke

## MONTERING

**⚠FORSIKTIG:** Forviss deg alltid om at maskinen er slått av og batteriet tatt ut før du utfører noe arbeid på maskinen.

**⚠FORSIKTIG:** Når du skifter ut skjærebladene, må du alltid bruke hansker slik at hendene ikke kommer i direkte kontakt med bladene.

## Montere eller demontere skjærebladene

**⚠FORSIKTIG:** Fest bladdekslet før du fjerner eller monterer skjærebladene.

**OBS:** Når du skifter du skjærebladene, må du ikke tørke fett av giret eller veivakselen.

**MERK:** Før du monterer eller demontere skjærebladene, folder du ut verktøyets hode slik at hodet er rett i forhold til verktøykroppen.

1. Plasser verktøyet opp ned.

2. Fjern 4 skruer med en skrutrekker, og fjern skjærebladene.

► **Fig.8:** 1. Skruer

3. Fjern veivakselen fra skjærebladene.

► **Fig.9:** 1. Veivaksel

**MERK:** Veivakselen kan bli værende i verktøyet.

4. Gjør klar veivakselen og de nye skjærebladene.

► **Fig.10:** 1. Veivaksel 2. Skjæreblader

5. Fjern bladdekslet, og fest det deretter på de nye skjærebladene.

6. Påfør en liten mengde fett på veivakselens ytterflate. Fest skiven, hjulet og veivakselen til splinten i denne rekkefølgen.

► **Fig.11:** 1. Veivaksel 2. Hjul 3. Skive 4. Splint

7. Juster veivakselen slik at de 2 små hullene i veivakselen innrettes med justeringslinjen som vist i figuren.

► **Fig.12:** 1. Justeringslinje 2. Lite hull

8. Skyv skjærebladene slik at hullet i føringsplaten plasseres i midten av bladenes ringer.

► **Fig.13:** 1. Føringsplate

9. Sett skruen som du fjernet i trinn 2 inn i hullet på skjærebladene, gjennom hullet i bladdekslet.

► **Fig.14:** 1. Hull

10. Fest skjærebladene til verktøyet, og trekk deretter til 3 skruer med skrutrekkeren.

► **Fig.15:** 1. Skruer

11. Fjern skruen som ble satt inn i hullet i skjærebladene i trinn 9, og deretter trekker du til for å feste skjærebladene.

**OBS:** Hvis skjærebladene ikke fungerer som de skal, griper bladene ikke riktig inn i veivakselen. Fjern bladene, og monter dem på nytt.

**OBS:** Hvis det er andre deler enn sagbladene som er utslitt, som f.eks. veivakselen, ta kontakt med et autorisert Makita servicesenter for nye deler eller reparasjon.

## Montere eller fjerne flisopsamlern

*Valgfritt tilbehør*

**⚠FORSIKTIG:** Når du monterer eller demonterer flisopsamlern, må du alltid bruke hansker slik at hendene ikke kommer i direkte kontakt med skjærebladene.

**⚠FORSIKTIG:** Sett på bladdekslet før du monterer eller fjerner flisopsamlern.



Flisoppsamleren samler opp løv og gjør oppryddingen i etterkant mye enklere. Den kan monteres på begge sider av verktøyet.

1. Innrett hullene i flisoppsamleren med mutrene på skjærebladene.

► **Fig.16:** 1. Mutter

2. Hekt flisoppsamlerens kroker i skjærebladenes spor.

► **Fig.17:** 1. Krok 2. Spor

3. Trykk på spakene på flisoppsamleren, og hekt deretter krokene på den andre siden i skjærebladenes spor.

► **Fig.18:** 1. Spak

Når du skal fjerne flisoppsamleren, trykker på spakene for å frigjøre krokene.

► **Fig.19:** 1. Spak

**OBS:** Du må aldri forsøke å fjerne flisoppsamleren ved å bruke makt mens krokene er festet i skjærebladenes spor.

## BRUK

### Bruke verktøyet

**⚠ ADVARSEL:** Ikke bruk verktøyet i nærheten av høyspente strømlinjer. Kontakt med strømlinjer eller bruk av verktøyet nær strømlinjer kan forårsake alvorlige personskader eller elektrisk støt som fører til død.

**⚠ ADVARSEL:** Hold hendene unna skjærebladene.

**⚠ ADVARSEL:** Pass ekstremt godt på at du opprettholder kontrollen over maskinen i denne situasjonen. Ikke la verktøyet kastes mot deg eller noen andre i nærheten av arbeidsstedet. Hvis du ikke klarer å holde kontroll på verktøyet, kan det føre til alvorlige personskader på tilskuere og operatøren.

**⚠ FORSIKTIG:** Ungå å bruke verktøyet i svært varmt vær så sant det lar seg gjøre. Ikke bruk verktøyet hvis du føler deg uvel.

**⚠ FORSIKTIG:** Vær forsiktig så du ikke utilsikket kommer borti et metallgjerde eller andre harde gjenstander mens du beskjærer hekken. Skjærebladene kan brette og forårsake personskade.

**⚠ FORSIKTIG:** Ikke la skjærebladene komme i kontakt med bakken. Verktøyet kan slå tilbake og forårsake personskade.

**⚠ FORSIKTIG:** Å lene seg ut over noe med en hekktrimmer, særlig fra en stige, er svært farlig. Når du jobber, må du ikke stå på noe som er ustøtt eller ustabil.

**OBS:** Ikke forsøk å beskjære greiner som er tykkere enn 10 mm i diameter med verktøyet. Kutt greiner til 10 cm lavere enn klippehøyden ved hjelp av en greinsaks før du bruker verktøyet.

► **Fig.20:** (1) klippehøyde (2) 10 cm

**OBS:** Ikke fell trær eller kutt lignende harde gjenstander. Det kan skade verktøyet.

**OBS:** Ikke kutt gress eller ugress med skjærebladene. Skjærebladene kan vikle seg inn i gresset eller ugresset.

Hold verktøyet med begge hender ved å holde i det fremre grepet og det bakre grepet.

► **Fig.21:** 1. Fremre grep 2. Bakre grep

Trekk i startbryteren mens du trykker på AV-sperreknappen, og bevege deretter verktøyet fremover.

► **Fig.22**

En grunnleggende arbeidsoperasjon består i å vippe bladene den veien beskjæringen skal utføres, og bevege trimmeren sakte og rolig med en hastighet på 3 til 4 sekunder per meter.

► **Fig.23**

For å kutte siden av en hekk jevnt, kutter du fra bunnen og opp til toppen.

► **Fig.24**

Når du beskjærer for å lage en rund form (beskjæring av buksbom eller roddendron, osv.), beskjærer du fra roten til toppen for en pen avslutning.

► **Fig.25**

Hvis flisoppsamleren er festet til skjærebladene, samler den opp løv og gjør oppryddingen i etterkant mye enklere.

► **Fig.26**

## VEDLIKEHOLD

**⚠ FORSIKTIG:** Forviss deg alltid om at maskinen er slått av og batteriet tatt ut før du foretar inspeksjon eller vedlikehold.

**⚠ FORSIKTIG:** Legg alltid verktøyet ned når du skal inspisere eller vedlikeholde verktøyet. Hvis du monterer eller justerer verktøyet når det står oppreist, kan det føre til alvorlige personskader.

For å opprettholde produktets SIKKERHET og PÅLITELIGHET, må reparasjoner, vedlikehold og justeringer utføres av autoriserte Makita servicesentre eller fabrikkservicesentre, og det må alltid brukes reservedeler fra Makita.

### Rengjøre verktøyet

Rengjør verktøyet ved å tørke bort støv med en tørr klut eller en klut som er dyppet i såpevann og vridd opp.

**OBS:** Aldri bruk gasolin, bensin, tynner alkohol eller lignende. Det kan føre til misfarging, deformering eller sprekke dannelse.



## Vedlikehold av skjæreblad

Før bruk, eller en gang i timen under bruk, påfører du olje med lav viskositet (maskinolje eller smøroleje fra en sprayflaske) på skjærebladene.

► Fig.27

Etter bruk fjerner du støv fra begge sidene av skjærebladene med en stålborste, tørker det bort med en klut og påfører deretter olje med lav viskositet (maskinolje eller smøroleje fra en sprayflaske) på skjærebladene.

► Fig.28

**OBS:** Ikke vask skjærebladene i vann. Det kan føre til at verktøyet begynner å ruste eller blir skadet.

**OBS:** Smuss og korrosjon forårsaker høy bladfriksjon og forkorter driftstiden per batterilading.

## Lagring

Fest bladdekslet til skjærebladene slik at bladene ikke er utildekket. Oppbevar verktøyet utilgjengelig for barn. Oppbevar verktøyet på et sted som ikke er utsatt for fuktighet eller regn.

## FEILSØKING

Inspiser utstyret selv før du bestiller reparasjon. Ikke prøv å demontere verktøyet hvis du finner et problem som ikke er forklart i brukerveiledningen. I stedet bør du ta kontakt med et av Makitas autoriserte servicesentre, som alltid bruker reservedeler fra Makita til reparasjoner.

Unormal tilstand	Sannsynlig årsak (feil)	Løsning
Motoren går ikke.	Batteriet er ikke satt inn.	Installer batteriet.
	Batteriet er ikke riktig satt inn.	Lad batteriet. Hvis ladingen ikke virker, må batteriet skiftes ut.
	Drivsystemet virker ikke slik det skal.	Kontakt ditt nærmeste autoriserte servicesentre hvis det oppstår behov for reparasjon.
Motoren stanser etter kort tids bruk, eller motoren starter ikke.	Batteriets ladenivå er lavt.	Lad batteriet. Hvis ladingen ikke virker, må batteriet skiftes ut.
	Overoppheting.	Stopp bruken av verktøyet og la det avkjøles.
Verktøyet når ikke maksimalt antall omdreininger per minutt.	Batteriet er ikke riktig satt inn.	Sett inn batteriet som beskrevet i denne håndboken.
	Batterieffekten minsker.	Lad batteriet. Hvis ladingen ikke virker, må batteriet skiftes ut.
	Drivsystemet virker ikke slik det skal.	Kontakt ditt nærmeste autoriserte servicesentre hvis det oppstår behov for reparasjon.
Skjærebladene beveger seg ikke: ⇒ stans maskinen umiddelbart!	Feil vinkel på skjærebladene.	Forsikre deg om at hodet er godt festet i bruksvinkelen.
	Fremmedlegemer sitter fast mellom skjærebladene.	Slå av verktøyet og ta ut batteriet, og deretter fjerner du fremmedlegemene ved hjelp av verktøy som f.eks. en tang.
	Drivsystemet virker ikke slik det skal.	Kontakt ditt nærmeste autoriserte servicesentre hvis det oppstår behov for reparasjon.
Unormale vibrasjoner: ⇒ stans maskinen umiddelbart!	Skjærebladene er knekte, bøyd eller slitte.	Skift ut skjærebladene.
	Drivsystemet virker ikke slik det skal.	Kontakt ditt nærmeste autoriserte servicesentre hvis det oppstår behov for reparasjon.
Skjærebladene og motoren vil ikke stoppe: ⇒ Fjern batteriet umiddelbart!	Elektrisk funksjonsfeil.	Fjern batteriet og kontakt ditt nærmeste autoriserte servicesentre for reparasjon.

## VALGFRITT TILBEHØR

**⚠ FORSIKTIG:** Det anbefales at du bruker dette tilbehøret eller verktøyet sammen med den Makita-maskinen som er spesifisert i denne håndboken. Bruk av annet tilbehør eller verktøy kan forårsake personskader. Tilbehør og verktøy må kun brukes til det formålet det er beregnet på.

- Skjærebladenhet
- Flisopsamler
- Fettbeholder
- Makita originalbatteri og lader

**MERK:** Enkelte elementer i listen kan være inkludert som standardtilbehør i verktøypakken. Elementene kan variere fra land til land.

Ta kontakt med ditt lokale Makita-servicesentre hvis du trenger mer informasjon om dette tilbehøret.

## TEKNISET TIEDOT

Malli:	UN460WD
Terän pituus	460 mm
Iskua minuutissa	3 600 min <sup>-1</sup>
Leikkuuterän kulma	135° (ylös 60°, alas 75°)
Kokonaispituus	1 889–2 511 mm
Nimellisjännite	DC 10,8 V – 12 V maks.
Nettopaino	2,8–3,0 kg

- Jatkuvasta tutkimus- ja kehitystyöstämme johtuen esitetyt tekniset tiedot saattavat muuttua ilman erillistä ilmoitusta.
- Tekniset tiedot voivat vaihdella maittain.
- Paino voi olla erilainen lisävarusteista sekä akusta johtuen. EPTA-menettelytavan 01/2014 mukaisesti, taulukossa on kuvattu kevyin ja painavin laiteyhdistelmä.

## Käytettävä akkupaketti ja laturi





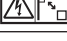

Akkupaketti	BL1016 / BL1021B / BL1041B
Laturi	DC10SA / DC10SB / DC10WC / DC10WD / DC18RE

- Tiettyjä yläpuolella kuvattuja akkuja ja latureita ei ehkä ole saatavana asuinalueestasi johtuen.

**VAROITUS:** Käytä vain edellä eriteltyjä akkupaketteja ja latureita. Muiden akkupakettien ja laturien käyttäminen voi aiheuttaa loukkaantumisen ja/tai tulipalon.

## Symbolit

Laitteessa on mahdollisesti käytetty seuraavia symboleja. Opettele niiden merkitys ennen käyttöä.

	Lue käyttöohje.
	Älä altista laitetta kosteudelle.
	Käytä kypärää, suojalaseja ja kuulosuojaimia.
	VAARA – pidä kädet pois terän tieltä.
	Varo sähköinjoja, sähköiskujen vaara.
	Pidä etäisyys vähintään 15 m:n suuruisena.



Koskee vain EU-maita  
Käytetyillä sähkö- ja elektroniikkalaitteilla, paristoilla ja akuilla voi olla negatiivisia ympäristö- ja terveysvaikutuksia niissä käytettyjen haitallisten osien takia.  
Älä hävitä sähkö- ja elektroniikkalaitteita tai akkuja kotitalousjätteen mukana!  
Vanhoja sähkö- ja elektroniikkalaitteita, paristoja ja akkuja koskevan EU-direktiivin ja sen perusteella laadittujen kansallisten lakien mukaan käytetyt sähkö- ja elektroniikkalaitteet, paristot ja akut on kierrätettävä toimittamalla ne erilliseen, ympäristönsuojelusäädösten mukaisesti toimivaan kierrätyspisteeseen.  
Tämä on ilmaistu laitteessa olevalla ylive-detyn roska-astian symbolilla.



EU:n ulkona käytettävien laitteiden melupäästöjä koskevan direktiivin mukainen taattu äänitehotaso.



Australian Uuden Etelä-Walesin osavaltion melutasolainsäädännön mukainen äänitehotaso

## Käyttötarkoitus

Laitte on tarkoitettu pensasaitojen leikkaamiseen.

## Melutaso

Tyypillinen A-painotettu melutaso määräytyy standardin EN62841-4-2 mukaan:

Äänenpainetaso ( $L_{pA}$ ): 74 dB (A)

Virhemarginaali (K): 3 dB (A)

Työskentelyn aikana melutaso voi ylittää 80 dB (A).

**HUOMAA:** Ilmoitetut melutasoarvot on mitattu standarditestausmenetelmän mukaisesti ja niiden avulla voidaan vertailla työkaluja keskenään.

**HUOMAA:** Ilmoitettuja melutasoarvoja voidaan käyttää myös altistumisen alustavaan arviointiin.

**VAROITUS:** Käytä kuulosuojaimia.

**VAROITUS:** Sähkötyökalun käytön aikana mitattu melutasoarvo voi poiketa ilmoitetuista arvoista laitteen käyttötavan ja erityisesti käsiteltävän työkalun mukaan.

**VAROITUS:** Selvitä käyttäjän suojaamiseksi tarvittavat varoimet todellisissa käyttöolosuhteissa tapahtuvan arvioidun altistumisen mukaisesti (ottaen huomioon käyttöjako kokonaisuudessaan, myös jaksot, joiden aikana laite on sammutettuna tai käy tyhjäkäynnillä).

## Tärinä

Soveltuva standardi : EN62841-4-2

Vasen käsi (etukahva)		Oikea käsi (takakahva)	
$a_h$ ( $m/s^2$ )	Virhemarginaali K ( $m/s^2$ )	$a_h$ ( $m/s^2$ )	Virhemarginaali K ( $m/s^2$ )
2,5 $m/s^2$ tai alhaisempi	1,5	2,5 $m/s^2$ tai alhaisempi	1,5

**HUOMAA:** Ilmoitetut kokonaistärinäarvot on mitattu standarditestausmenetelmän mukaisesti ja niiden avulla voidaan vertailla työkaluja keskenään.

**HUOMAA:** Ilmoitettuja kokonaistärinäarvoja voidaan käyttää myös altistumisen alustavaan arviointiin.

**VAROITUS:** Sähkötyökalun käytön aikana mitattu todellinen tärinäpäästöarvo voi poiketa ilmoitetuista arvoista laitteen käyttötavan ja erityisesti käsiteltävän työkalun mukaan.

**VAROITUS:** Selvitä käyttäjän suojaamiseksi tarvittavat varoimet todellisissa käyttöolosuhteissa tapahtuvan arvioidun altistumisen mukaisesti (ottaen huomioon käyttöjako kokonaisuudessaan, myös jaksot, joiden aikana laite on sammutettuna tai käy tyhjäkäynnillä).

## EY-vaatimustenmukaisuusvakuutus

*Koskee vain Euroopan maita*

EY-vaatimustenmukaisuusvakuutus on liitetty tähän käyttöoppaaseen.

## Akkukäyttöisen varsipensasleikkurin turvallisuusohjeet

- Pidä kaikki kehon osat kaukana terästä. Älä poista leikattua ainesta tai pidä leikattavasta materiaalista kiinni leikkuuterien liikkuesssa.** Terät jatkavat liikkumista senkin jälkeen, kun kytkin sammutetaan. Hetkellinenkin huolimattomuus pensasleikkurin käytön aikana voi aiheuttaa vakavan henkilövahingon.
- Kanna pensasleikkuria kahvasta siten, että terä on pysäytetty, ja älä käytä mitään virta-kytkintä.** Pensasleikkurin kantaminen oikein pienentää riskiä sen vahingossa käynnistymisestä ja henkilövahinkojen aiheutumisesta teristä.
- Aseta teräsuojus paikalleen aina pensasleikkurin kuljetuksen ja varastoinnin ajaksi.** Pensasleikkurin asianmukainen käsittely vähentää terien aiheuttamien henkilövahinkojen mahdollisuutta.
- Kun poistat kiinni jäänyttä leikkuumateriaalia tai huollat laitetta, varmista, että kaikki virta-kytkimet ovat sammutettuja ja että akkupaketti on irrotettu tai kytketty irti.** Pensasleikkurin odottamaton käynnistyminen kiinni jääneen leikkuumateriaalin poistamisen tai huollon yhteydessä voi saada aikaa vakavia henkilövahinkoja.
- Pidä pensasleikkurista kiinni vain sen eristetyistä tartuntapinnoista, sillä terä saattaa osua piilossa oleviin johtoihin.** Jos terä osuu jännitteelliseen johtoon, jännite voi siirtyä pensasleikkurin sähköä johtaviin metalliosiin ja aiheuttaa käyttäjälle sähköiskun.

## TURVAROITUKSET

### Sähkötyökalujen käyttöä koskevat yleiset varoitukset

**VAROITUS:** Tutustu kaikkiin tämän sähkötyökalun mukana toimitettuihin varoituksiin, ohjeisiin, kuviin ja teknisiin tietoihin. Seuraavassa lueteltujen ohjeiden noudattamatta jättäminen saattaa johtaa sähköiskuun, tulipaloon tai vakavaan vammautumiseen.

### Säilytä varoitukset ja ohjeet tulevaa käyttöä varten.

Varoituksissa käytettävällä termillä "sähkötyökalu" tarkoitetaan joko verkkovirtaa käyttävää (johdollista) työkalua tai akkukäyttöistä (johdotonta) työkalua.

6. **Pidä kaikki virtajohdot ja kaapelit poissa leikkuualueelta.** Virtajohdot tai kaapelit voivat jäädä oksien tai pensaiden alle näkymättömiin, jolloin terä voi vahingossa katkaista ne.
7. **Älä käytä pensasleikkuria huonossa säässä, varsinkaan ukkosella salamaniskun vaaran takia.** Näin voit pienentää salamaniskun riskiä.
8. **Sähköiskun riskin pienentämiseksi älä koskaan käytä varsipensasleikkuria korkeajännitelinjojen lähellä.** Kosketukset korkeajännitelinjoihin voivat aiheuttaa vakavia vammoja tai sähköiskuja ja kuoleman.
9. **Varsipensasleikkuria on aina käytettävä kahdella kädellä.** Pidä varsipensasleikkurista kiinni molemmilla käsillä, jotta et menetä sen hallintaa.
10. **Käytä aina päänsuojausta, kun käytät varsipensasleikkuria pääsi yläpuolella.** Lentävät irtoroskat voivat aiheuttaa vakavia vammoja.

## Lisäturvallisuusohjeet

### Valmistelu

1. **TÄMÄ PENSASLEIKKURI VOI AIHEUTTAA VAKAVIA VAMMOJA.** Lue ohjeet huolellisesti, jotta voit käsitellä, valmistella ja huoltaa työkalua oikein sekä käynnistää ja pysäyttää sen oikein. Perehdy työkalun säätimiin ja asianmukaiseen käyttöön.
2. Tarkista ennen laitteen käytön aloittamista, ettei aidoissa tai pensaissa ole muuta kuin oksastoa, kuten verkkoaitaa tai piilossa olevia johtoja.
3. **Pensasleikkuria ei saa käyttää lasten tai alle 18-vuotiaiden nuorten toimesta.** Poikkeustapauksissa käyttö voidaan sallia myös kuusitoista vuotta täytäneille, jos he opettelevat leikkurin käyttöä asiantuntevan aikuisen valvonnassa.
4. **Hätätilanteessa sammuta työkalu välittömästi ja irrota akkupaketti.**
5. **VAARA - Pidä kädet kaukana terästä.** Teräkosketus voi aiheuttaa vakavan henkilövahingon.
6. **Kokemattomien käyttäjien on hyvä pyytää neuvoja kokeneilta työkalun käyttöä koskien.** Tarkista ennen käytön aloittamista, onko työskentelyalueella lanka-aitoja, kiviä tai muita kiinteitä esineitä. Ne voivat vaurioittaa teriä.
8. **Käytä pensasleikkuria vain, jos olet hyvässä fyysisessä kunnossa.** Huomiokyky heikkenee väsymyksen myötä. Noudata erityistä varovaisuutta työpäivän lopulla. Työskentele rauhallisesti ja varovaisesti. Käyttäjä on vastuussa ulkopuolisille aiheutuvista kaikista vahingoista.
9. **Varmista, että pensasleikkuri on asianmukaisessa toimintakunnossa ennen työskentelyn aloittamista.** Varmista, että suojuukset ovat oikein paikoillaan. Pensasleikkuria ei saa käyttää, jos kaikki osat eivät ole paikallaan.
10. **Vältä vaarallisia ympäristöjä.** Älä käytä työkalua kosteissa tai märissä paikoissa äläkä altista sitä sateelle. Työkalun sisään päässyt vesi lisää sähköiskun vaaraa.

### Henkilösuojaimet

1. **Paksut nahkakäsineet ovat osa pensasleikkurin perusvarusteita ja niitä on käytettävä aina laitteen käytön aikana.** Käytä myös tukevia ja luistamattomilla pohjilla varustettuja jalkineita.
2. **Käytä kuulonsuojaimia kuulovaurioiden estämiseksi.**
3. **Suojaa itsesi lentäviltä irtoroskilta ja putoavilta esineiltä suojalaseilla, suojakypärällä ja suojakäsineillä.**
4. **Kun kosketat teriä tai säädät terän kulmaa, käytä suojakäsineitä.** Terät voivat leikata paljaita käsiä pahasti.

### Käyttö

1. **Työkalua on käytettävä aina kahdella kädellä.** Yhdellä kädellä käyttäminen voi saada aikaan sen, että menetät työkalun hallinnan, mikä voi johtaa vakavaan henkilövahinkoon.
2. **Kun käytät työkalua, varmista aina, että alkuasento on turvallinen ja vakaa.** Työkalun kanssa kurkotteleminen, erityisesti tikkailla seisottaessa, on erittäin vaarallista. Älä käytä leikkuria epävakavilla alustoilla.
3. **Älä pidä päälläsi samanaikaisesti useita lantiovöitä tai olkaimia, kun käytät työkalua.**
4. **Kun käytät laitetta, älä anna sivullisten henkilöiden tai eläinten olla alle 15 m:n etäisyydellä työkalusta.** Sammuta työkalu heti, jos joku tulee tätä lähemmäs.
5. **Jos leikkaustyökalu osuu johonkin esineeseen tai työkalu alkaa tehdä epätavallista ääntä tai tärinää kummallisesti, sammuta työkalu, poista akkupaketti heti ja anna työkalun pysähtyä.**  
**Tee sitten seuraavat toimet:**
  - tarkasta vauriot
  - tarkasta ja kiristä löystyneet osat
  - vaihda vahingoittuneet osat tai korjaa ne käyttämällä aitoja varosia.
6. **Käytä työkalua vain siihen tarkoitukseen, jota varten se on valmistettu.** Älä käytä työkalua muihin tarkoituksiin.
7. **Kytke työkalu pois päältä ja irrota akkupaketti ennen seuraavia:**
  - tukosten puhdistamista tai selvittämistä
  - työkalun tarkistamista, huoltamista tai käsittelemistä
  - leikkuuterien työskentelyasennon säätämistä
  - työkalun jättämistä valvomatta.
8. **Varmista, että työkalu on oikeassa työskentelyasennoissa, ennen kuin käynnistät työkalun.**
9. **Älä käytä työkalua, jos sen leikkuuterät ovat vaurioituneet tai erittäin kuluneet.**
10. **Tarkista aina ympäristösi ja pysy valppaana mahdollisten sellaisten vaarojen varalta, joita et ehkä muuten huomaa työkalun äänen vuoksi.**
11. **Huolehdi, ettet vahingossa osu metalliintaan tai muuhun kovaan esineeseen työskentelyn aikana.** Muutoin terä rikkoontuu ja voi aiheuttaa vakavia vammoja.

12. Estä tahaton käynnistyminen. Älä kannata työkalua siten, että akkupaketti on asennettu ja siten, että sormesi on kytkimellä. Varmista, että kytkin on sammutettu, kun asennat akkupakettia.
13. Älä tartu käytössä oleviin leikkausteriin tai leikkausruunoihin, kun nostat tai pitelet työkalua.
14. Älä käytä tarpeetonta voimaa. Laite toimii tarkoituksenmukaisesti ja loukkaantumisvaara pienenee, kun laitetta käytetään sille suunnitellulla teholla.
15. Älä käytä työkalua sateella, märissä tai muutoin kosteissa olosuhteissa. Sähkömoottori ei ole vesitiivis.
16. Pidä laitteesta tukevasti kiinni sen käytön aikana.
17. Älä käytä laitetta tarpeettomasti kuormittamattomana.
18. Sammuta työkalu ja irrota akkupaketti aina, ennen kuin tarkistat leikkuuterät, korjaat vikoja tai poistat leikkuuteriin juuttuneita vieraita esineitä.
19. Älä koskaan suuntaa leikkuuterää itseäsi tai sivullisia kohti.
20. Jos terät lakkaavat liikkumasta, koska niiden väliin juuttuu vierasesine käytön aikana, sammuta laite, irrota sen akkupaketti ja poista sitten vierasesineet asianmukaisella työkalulla, kuten pindeillä. Vierasesineiden poistaminen käsin voi aiheuttaa henkilövahinkoja, koska terät voivat liikkua vierasesineiden poistamisen seurauksena.

#### Sähköturvallisuus ja akku

1. Vältä vaarallisia ympäristöjä. Älä käytä työkalua kosteissa tai märissä paikoissa äläkä altista sitä sateelle. Työkalun sisään päässyt vesi lisää sähköiskun vaaraa.
2. Älä hävitä akkuja polttamalla. Akkukenko voi räjähtää. Tarkista, onko paikallisissa määräyksissä erityisiä laitteita koskevia hävitysohjeita.
3. Älä avaa tai riko akkuja. Akusta mahdollisesti vuotava elektrolyytti on syövyttävää ja saattaa vaurioittaa ihoa tai silmiä. Se saattaa olla myrkyllistä nieltynä.
4. Älä lataa akkua sateessa tai kosteissa olosuhteissa.
5. Älä lataa akkua ulkona.
6. Älä käsittele laturia tai sen liitinosaa ja latausliittimiä märin käsin.

#### Kunnossapito ja säilytys

1. Kun työkalu sammutetaan huoltoon, tarkastusta tai säilytystä varten, sammuta työkalu ja poista sen akkupaketti. Varmista sitten, että kaikki liikkuvat osat ovat pysähtyneet. Anna työkalun jäähtyä, ennen kuin teet mitään tarkistuksia tai säätöjä tai vastaavia.
2. Anna työkalun jäähtyä, ennen kuin siirät sen varastoon.
3. Kun et käytä laitetta, aseta teräsuoja työkalun ja säilytä sitä sisällä kuivassa ja korkeassa, lukitussa paikassa lasten ulottumattomissa.

4. Huolla työkalua huolellisesti. Pidä leikkureuna terävänä ja puhtaana työkalun suorituskyvyn pitämiseksi mahdollisimman hyvänä ja vahinkojen riskin pienentämiseksi. Noudata voitelu- ja lisävarusteiden vaihto-ohjeita. Pidä kahvat kuivina ja puhtaina öljystä ja rasvasta.
5. Tarkista vaurioituneet osat. Ennen kuin jatkat työkalun käyttöä, tarkista vaurioitunut osa huolellisesti ja varmista, että se toimii oikein ja pystyy suorittamaan tehtävänsä. Varmista, että liikkuvat osat ovat oikeissa asennoissa ja pääsevät liikkumaan esteettä. Tarkasta myös osien eheys, kiinnitykset sekä muut toimintaan mahdollisesti vaikuttavat seikat. Suojus tai muu vaurioitunut osa tulee viedä valtuutettuun huolto-liikkeeseen korjattavaksi tai vaihdettavaksi.
6. Käytä vain aitoja varaosia.
7. Irrota akkupaketti ja aseta teräsuojus leikkuuterien päälle aina, kun työkalua siirretään toiseen paikkaan. Älä koskaan kannata työkalua tai siirrä sitä paikasta toiseen, kun terät ovat käynnissä. Älä koskaan tartu teriin käsin.
8. Puhdista työkalu ja erityisesti leikkuuterä käytön jälkeen sekä silloin, kun viet työkalua pitkäksi aikaa säilytykseen. Öljyä leikkuuterät kevyesti ja aseta teräsuojaus paikalleen.
9. Älä hävitä akkua (akkuja) polttamalla. Akkukenko voi räjähtää. Tarkista, onko paikallisissa määräyksissä erityisiä laitetta koskevia hävitysohjeita.
10. Älä avaa tai riko akkua (akkuja). Akusta mahdollisesti vuotava elektrolyytti on syövyttävää ja saattaa vaurioittaa ihoa tai silmiä. Se saattaa olla myrkyllistä nieltynä.
11. Älä lataa akkua sateessa tai kosteissa olosuhteissa.

## SÄILYTÄ NÄMÄ OHJEET.

**VAROITUS:** ÄLÄ anna työkalun helpokäyttöisyyden (toistuvan käytön aikaansaama) johtaa sinua väärään turvallisuuden tunteeseen niin, että laiminlyöt työkalun turvaohjeiden noudattamisen. **VÄÄRINKÄYTTÖ** tai tässä käyttöohjeessa ilmoitettujen turvamääräysten laiminlyönti voi aiheuttaa vakavia henkilövahinkoja.

### Akkupakettia koskevia tärkeitä turvaohjeita

1. Ennen akun käyttöönottoa tutustu kaikkiin laturissa (1), akussa (2) ja akukäyttöisessä tuotteessa (3) oleviin varoitusteksteihin.
2. Älä pura tai peukaloi imuria akkupakettia. Se voi johtaa tulipaloon, ylikuumenemiseen tai räjähdykseen.
3. Jos akun toiminta-aika lyhenee merkittävästi, lopeta akun käyttö. Seurauksena voi olla ylikuumeneminen, palovammoja tai jopa räjähdys.
4. Jos akkunestettä pääsee silmiin, huuhtele puhtaalla vedellä ja hakeudu välittömästi lääkärin hoitoon. Akkuneste voi aiheuttaa näön menetyksen.

5. **Älä oikosulje akkua.**
- (1) Älä koske akun napoihin millään sähköä johtavalla materiaalilla.
  - (2) Vältä akun oikosulkemista äläkä säilytä akkua yhdessä muiden metalliesineiden, kuten naulojen, kolikoiden ja niin edelleen kanssa.
  - (3) Älä aseta akkua alttiiksi vedelle tai sateelle.
- Oikosulku voi aiheuttaa virtapiikin, ylikuumentumista, palovammoja tai laitteen rikkoutumisen.
6. **Älä säilytä ja käytä työkalua ja akkupakettia paikassa, jossa lämpötila voi nousta 50 °C:een (122 °F) tai korkeammaksi.**
7. **Älä hävitä akkua polttamalla, vaikka se olisi pahoin vaurioitunut tai täysin loppuun kulunut. Avotuli voi aiheuttaa akun räjähtämisen.**
8. **Älä naulaa, leikkaa, purista, heitä tai pudota akkupakettia tai iske sitä kovia esineitä vasten.** Tällaiset toimet voivat johtaa tulipaloon, ylikuumentumiseen tai räjähdykseen.
9. **Älä käytä viallista akkua.**
10. **Sisältyviä litium-ioni-akkuja koskevat vaarallisten aineiden lainsäädännön vaatimukset.** Esimerkiksi kolmansien osapuolten huolintaliikkeen tulee kaupallisissa kuljetuksissa noudattaa pakkaamista ja merkintöjä koskevia erityisvaatimuksia. Lähetettävän tuotteen valmistelu edellyttää vaarallisten aineiden asiantuntijan neuvontaa. Huomioi myös mahdollisesti yksityiskohtaisemmat kansalliset määräykset. Akun avoimet liittimet tulee suojata teipillä tai suojuksella ja pakkaaminen tulee tehdä niin, ettei akku voi liikkua pakkauksessa.
11. **Kun akkupaketti on hävitettävä, poista se laitteesta ja hävitä se turvallisesti. Hävitä akku paikallisten määräysten mukaisesti.**
12. **Käytä akkuja vain Makitan ilmoittamien tuotteiden kanssa.** Akkujen asentaminen yhteensopimattomiin tuotteisiin voi aiheuttaa tulipalon, liiallisen ylikuumentumisen, räjähdyksen tai akkunestevuotoja.
13. **Jos laitetta ei käytetä pitkään aikaan, akku on poistettava laitteesta.**
14. **Akkupaketin lämpötila voi käytön aikana ja sen jälkeen nousta niin kuumaksi, että se voi aiheuttaa palovammoja tai lieviä palovammoja. Käsittele kuumia akkupaketteja huolellisesti.**
15. **Älä kosketa työkalun liitintä välittömästi käytön jälkeen, sillä se voi olla riittävän kuuma aiheuttamaan palovammoja.**
16. **Älä päästä lastuja, pölyä tai maata akkupaketin liittimiin, aukkoihin ja uriin.** Se voi heikentää työkalun tai akkupaketin suorituskykyä tai johtaa niiden rikkoutumiseen.
17. **Ellei työkalu tue käyttöä korkeajännitelinjoihin lähellä, älä käytä akkupakettia korkeajännitelinjoihin lähellä.** Se voi johtaa työkalun tai akkupaketin toimintahäiriöön tai rikkoutumiseen.
18. **Pidä akku poissa lasten ulottuvilta.**

## SÄILYTÄ NÄMÄ OHJEET.

**⚠HUOMIO:** Käytä vain alkuperäisiä Makita-akkuja. Muiden kuin aitojen Makita-akkujen, tai mahdollisesti muutettujen akkujen käyttö voi johtaa akun murtumiseen ja aiheuttaa tulipaloja, henkilö- ja omaisuusvahinkoja. Se mitätöi myös Makita-työkalun ja -laturin Makita-takuun.

## Vihjeitä akun käyttöön pidentämiseksi

1. **Lataa akku ennen kuin se purkautuu täysin. Lopeta aina työkalun käyttö ja lataa akku, jos huomaat työkalun tehon vähenevän.**
2. **Älä koskaan lataa uudestaan täysin ladattua akkua. Yliilataaminen lyhentää akun käyttöikää.**
3. **Lataa akku huoneen lämpötilassa välillä 10 °C - 40 °C. Anna kuuman akun jäähtyä ennen lataamista.**
4. **Irrota akkupaketti työkalusta tai laturista, kun sitä ei käytetä.**

## OSIEN KUVAUS

### ► Kuva1

1	Kärkiosa	2	Kulman säätöpainike	3	Lukitusvipu	4	Siipimutteri
5	Etukahva	6	Takakahva	7	Akkupaketti	8	Liipaisinkytkin
9	Lukituspainike	10	Leikkuuterät	-	-	-	-

# TOIMINTOJEN KUVAUS

**⚠HUOMIO:** Varmista aina ennen säätöjä ja tarkastuksia, että työkalu on sammutettu ja akkupaketti irrotettu.

## Akun asentaminen tai irrottaminen

**⚠HUOMIO:** Sammuta työkalu aina ennen akun kiinnittämistä tai irrottamista.

**⚠HUOMIO:** Pidä työkalusta ja akusta tiukasti kiinni, kun irrotat tai kiinnität akkua. Jos akkupaketti tai työkalu putoaa, ne voivat vaurioitua tai aiheuttaa tapaturman.

- **Kuva2:** 1. Punainen ilmaisin 2. Painike  
3. Akkupaketti

Irrota akku painamalla akun etupuolella olevaa painiketta ja vetämällä akku ulos työkalusta.

Akkupaketti asetetaan paikalleen sovittamalla akkupaketin kieleke rungon uraan ja työntämällä se sitten paikalleen. Työnnä se pohjaan asti niin, että kuulet sen napsahdavan paikoilleen. Jos näet kuvan mukaisen punaisen ilmaisimen, lukitus ei ole täysin pitävä.

**⚠HUOMIO:** Työnnä akkupaketti aina pohjaan asti, niin että punainen ilmaisin ei enää näy. Jos akkupaketti ei ole kunnolla paikallaan, se voi pudota työkalusta ja aiheuttaa vammoja joko sinulle tai sivullisille.

**⚠HUOMIO:** Älä käytä voimaa akun asennuksessa. Jos akku ei liu'u paikalleen helposti, se on väärässä asennossa.

## Akun jäljellä olevan varaustason ilmaisin

Vain akkupaketeille ilmaisimella

- **Kuva3:** 1. Merkivalot 2. Tarkistuspainike

Painamalla tarkistuspainiketta saat näkyviin akun jäljellä olevan varauksen. Merkivalot palavat muutaman sekunnin ajan.

Merkivalot		Akussa jäljellä olevan varaus
Palaa	Pois päältä	
		75% - 100%
		50% - 75%
		25% - 50%
		0% - 25%

**HUOMAA:** Ilmoitettu varaustaso voi erota hieman todellisesta varaustasosta sen mukaan, millaisissa oloissa ja missä lämpötilassa laitetta käytetään.

## Työkalun/akun suojausjärjestelmä

Työkalu on varustettu työkalu/akun suojausjärjestelmällä. Tämä järjestelmä pidentää työkalun ja akun käyttöikää katkaisemalla automaattisesti moottorin virran. Työkalu pysähtyy automaattisesti kesken käytön, jos työkalussa tai akussa ilmenee jokin seuraavista tilanteista:

### Ylikuormitus:

Työkalua käytetään tavalla, joka saa sen kuluttamaan epätavallisen paljon virtaa. Katkaise tässä tilanteessa työkalusta virta ja lopeta työkalun ylikuormitustilan aiheuttanut käyttö. Käynnistä sitten työkalu uudelleen kytkemällä siihen virta.

Jos työkalu ei käynnisty, akku on ylikuumentunut. Anna tässä tilanteessa akun jäähtyä, ennen kuin kytket työkaluun virran uudelleen.

### Alhainen akun jännite:

Akkuparasiteetti on liian alhainen eikä riitä työkalun käyttämiseen. Jos kytket työkalun päälle, moottori alkaa toimia, mutta pysähtyy pian. Irrota tässä tilanteessa akku ja lataa se.

## Kytkimen käyttäminen

**⚠VAROITUS:** Tarkista aina ennen akkupaketin asettamista työkaluun, että liipaisinkytkin kytkeytyy oikein ja palaa "OFF"-asentoon, kun se vapautetaan.

**⚠VAROITUS:** Käyttäjän turvallisuuden varmistamiseksi tämä laite on varustettu lukituspainikkeella, joka estää laitteen vahingossa tapahtuvan käynnistämisen. Älä koskaan käytä laitetta, jos se käynnistyy pelkästään liipaisinkytkintä painamalla ilman, että painaisit lukituspainiketta. Pyydä valtuutettua Makita-huoltoilijettä korjaamaan laite.

**⚠VAROITUS:** Älä koskaan poista lukitustoimintoa käytöstä tai teippaa lukituspainiketta kiinni.

**HUOMAUTUS:** Älä paina liipaisinkytkintä voimakkaasti painamatta samalla lukituspainiketta. Kytkin voi vaurioitua.

- **Kuva4:** 1. Lukituspainike 2. Liipaisinkytkin

Estä liipaisinkytkimen tahaton käyttö lukituspainikkeen avulla.

Käynnistä laite painamalla lukituspainike sisään ja vetämällä liipaisinkytkimestä. Pysäytä vapauttamalla liipaisinkytkin. Lukituspainiketta voidaan painaa sisään vasemmalta tai oikealta puolelta.

## Sahauskulman säätäminen

**⚠HUOMIO:** Varmista aina, että työkalu on sammutettu, ennen taitat tai avaat sen kärkeosaa.

**⚠HUOMIO:** Kun taitat työkalun kärkeosaa sen kantamiseksi tai sen käytön jälkeen, muista kiinnittää teräsuoja ennen kärkeosan taittamista.

**⚠HUOMIO:** Kun taivutat kärkeosan, varo, etteivät sormet jää puristuksiin kärkeosan ja työkalun rungon väliin.



Kärkiosan kulmaa voi säätää 10 vaiheessa. Voit säätää kärkiosan kulmaa noudattamalla alla olevia vaihteita.

1. Pidä kärkiosasta ja työkalun rungosta kiinni kuvan osoittamalla tavalla.  
► **Kuva5:** 1. Kärkiosa 2. Kulman säätöpainike

2. Säädä kärkiosan kulmaa pitämällä samalla kulman säätöpainiketta painettuna ja vapauta sitten kulman säätöpainike.

3. Siirrä kärkiosaa hieman, kunnes se lukittuu napsautuksella.

**HUOMAA:** Varmista, että kärkiosa on tiukasti paikallaan, ennen kuin käytät työkalua.

## Varren pituuden säätäminen

**HUOMIO:** Varmista aina, että työkalu on sammutettu, ennen kuin säädät varren pituutta.

**HUOMIO:** Kun säädät varren pituutta, kiinnitä teräsuojus ennen varren pituuden säätämistä.

**HUOMIO:** Varo, etteivät sormesi jää puristuksiin säätäessäsi varren pituutta.

**HUOMIO:** Varmista, että lukitusvipu on lukittu.

**HUOMIO:** Kun säädät varren pituutta, aseta työkalu kyljelleen. Jos pidät työkalua pystyssä, sen pää laskeutuu nopeasti, mikä voi aiheuttaa vammoja.

Löysää lukitusvipua ja säädä varren pituutta ja lukitse sitten lukitusvipu.

► **Kuva6:** 1. Lukitusvipu

## Etukahvan asennon säätäminen

**HUOMIO:** Varmista aina ennen etukahvan asennon säätöä, että työkalu on sammutettu.

**HUOMIO:** Varo, etteivät sormesi jää puristuksiin säätäessäsi etukahvan asentoa.

**HUOMIO:** Varmista, että siipimutteri on tiukasti paikallaan.

**HUOMIO:** Älä liikuta etukahvaa nuolimerkin yli.

Jos haluat säätää etukahvan asentoa, löysää siipimutteriä kiertämällä sitä vastapäivään, säädä sitten etukahvan asentoa ja kiristä siipimutteri kiertämällä sitä myötäpäivään.

► **Kuva7:** 1. Siipimutteri 2. Nuolimerkki

## KOKOONPANO

**HUOMIO:** Varmista aina ennen mitään työkalulle tehtäviä toimenpiteitä, että se on sammutettu ja akku irrotettu.

**HUOMIO:** Leikkuuterän vaihtamisen aikana tulee aina käyttää käsineitä, jotta terä ei pääse kosketuksiin paljaiden käsien kanssa.

## Leikkuuterän kiinnittäminen ja irrottaminen

**HUOMIO:** Kiinnitä teräsuojus paikalleen ennen leikkuuterien irrottamista tai asentamista.

**HUOMAUTUS:** Leikkuuterien vaihdon aikana älä pyyhi rasvaa pois hammaspyöristä ja kammesta.

**HUOMAA:** Avaa työkalun kärkiosa, jotta kärkiosa on työkalun rungon suuntainen, ennen kuin asennat tai irrotat leikkuuteriä.

1. Aseta laite ylösalaisin.
2. Irrota 4 ruuvia ruuvitaltaa käyttämällä ja irrota leikkuuterät.  
► **Kuva8:** 1. Ruuvi
3. Irrota kampi leikkuuteristä.  
► **Kuva9:** 1. Kampi

**HUOMAA:** Kampi voi jäädä laitteeseen.

4. Ota kampi ja uudet leikkuuterät valmiiksi esille.  
► **Kuva10:** 1. Kampi 2. Leikkuuterät
5. Irrota teräsuojus ja liitä se sitten uusiin leikkuuteriin.
6. Levitä pieni määrä rasvaa kammen reunaan. Liitä aluslevy, ratas ja kampi järjestyksessä tappiin.  
► **Kuva11:** 1. Kampi 2. Ratas 3. Aluslaatta 4. Tappi
7. Säädä kampea niin, että sen 2 pientä reikää ovat linjassa kohdistuslinjan kanssa kuvan mukaisesti.  
► **Kuva12:** 1. Kohdistuslinja 2. Pieni reikä
8. Liu'uta leikkuuteriä niin, että ohjainlevyn reikä on sijoitettu terärenkaiden keskelle.  
► **Kuva13:** 1. Ohjainlevy
9. Aseta vaiheessa 2 irrotettu ruuvi leikkuuterien reikään teräsuojuksessa olevan reiän kautta.  
► **Kuva14:** 1. Reikä
10. Kiinnitä leikkuuterät työkaluun ja kiristä 3 ruuvia ruuvitaltalla.  
► **Kuva15:** 1. Ruuvi
11. Irrota vaiheessa 9 leikkuuterien reikään kiinnitetty ruuvi ja kiinnitä sitten leikkuuterät kiristämällä ruuvia.

**HUOMAUTUS:** Jos leikkuuterät eivät toimi oikein, terät eivät ole kytkeytyneet kampeen oikealla tavalla. Irrota terät ja asenna ne uudelleen.

**HUOMAUTUS:** Jos leikkuuterien lisäksi muut osat, kuten kampi, kuluvat, kysy varaosia tai huoltopalveluja valtuutetusta Makita-huoltoliikkeestä.

## Lehdenkerääjän asentaminen ja irrottaminen

Lisävaruste

**HUOMIO:** Käytä aina lehdenkerääjää kiinnittämisen tai irrottamisen aikana käsineitä, jotta leikkuuterä ei pääse kosketuksiin paljaiden käsien kanssa.

**HUOMIO:** Kiinnitä teräsuojus paikalleen ennen lehdenkerääjän asentamista tai irrottamista.



Lehdenkerääjä kerää jättelehdet ja helpottaa siivoamista jälkeensä. Se voidaan asentaa kummalle puolelle laitetta tahansa.

1. Kohdista lehdenkerääjän reiät ja leikkuuterien mutterit keskenään.

► **Kuva16:** 1. Mutteri

2. Kiinnitä lehdenkerääjän leuat leikkuuterien uraan.

► **Kuva17:** 1. Leuka 2. Ura

3. Paina lehdenkerääjän vipuja ja kiinnitä sitten toisella puolella olevat leuat leikkuuterien uraan.

► **Kuva18:** 1. Vipu

Lehdenkerääjä irrotetaan painamalla vipuja leukojen vapauttamiseksi.

► **Kuva19:** 1. Vipu

**HUOMAUTUS:** Älä yritä irrottaa lehdenkerääjää väkisin, kun sen leuat ovat lukittuneina leikkuuterien urissa.

## TYÖSKENTELY

### Työkalun käyttäminen

**VAROITUS:** Älä käytä työkalua korkeajännite-linjoihin lähetyvillä. Kosketukset korkeajännitelinjoihin tai työkalun käyttäminen korkeajännitelinjoihin lähellä voi aiheuttaa vakavia vammoja tai sähköiskuja ja kuoleman.

**VAROITUS:** Pidä kädet poissa leikkuuterän ulottuvilta.

**VAROITUS:** Huolehdi aina, että työkalu pysyy hallinnassasi. Älä anna työkalun ohjautua itseäsi tai muita lähetyvillä olevia ihmisiä kohti. Työkalun hallinnan menettäminen voi aiheuttaa vakavia vammoja sivullisille tai työkalun käyttäjille.

**HUOMIO:** Vältä laitteen käyttämistä erittäin kuumissa sääolosuhteissa. Vältä yllirasittumista, kun käytät laitetta.

**HUOMIO:** Huolehdi, että leikkurin terä ei osu metalliaitaan tai muuhun kovaan esineeseen työskentelyn aikana. Muutoin leikkuuterä voi rikkoutua ja aiheuttaa vammoja.

**HUOMIO:** Älä anna leikkuuterien koskettaa maata laitteen käytön aikana. Laitte voi aiheuttaa takaiskun ja aiheuttaa tapaturmia.

**HUOMIO:** Pensasleikkurin kanssa kurkotteleminen, erityisesti tikkailla seisottaessa on erittäin vaarallista. Älä käytä leikkuria epävakailta alustoilla.

**HUOMAUTUS:** Älä leikkaa tällä leikkurilla halkaisijaltaan yli 10 mm:n oksia. Leikkaa oksat oksaksilla 10 cm alemmaksi kuin itse leikkuukorkeus ennen tämän työkalun käyttämistä.

► **Kuva20:** (1) Leikkuukorkeus (2) 10 cm

**HUOMAUTUS:** Älä leikkaa kuoilleita puita tai mitään vastaavia kovia kohteita. Muussa tapauksessa laite voi vaurioitua.

**HUOMAUTUS:** Älä leikkaa nurmikkoa tai rikkaruohoja leikkuuterällä. Ruoho tai rikkaruohot voivat takertua leikkuuterään.

Tartu työkaluun molemmin käsin pitämällä kiinni etukahvasta ja takakahvasta.

► **Kuva21:** 1. Etukahva 2. Takakahva

Vedä liipaisinkytkimestä samalla, kun painat lukituksen vapautuspainiketta, ja siirrä sitten työkalua eteenpäin.

► **Kuva22**

Perustasoitus tapahtuu siten, että leikkuuterää kallistetaan leikkusuuntaan samalla, kun terää liikutetaan rauhallisesti ja hitaasti eteenpäin nopeudella 3–4 sekuntia/metri.

► **Kuva23**

Leikkaa pensaan sivut tasaiseksi aloittamalla alhaalta ylöspäin.

► **Kuva24**

Leikkattaessa pyöreitä muotoja (puksipuu tai alppiruusu jne.), leikkaa juuresta ylöspäin kauniin lopputuloksen saavuttamiseksi.

► **Kuva25**

Jos lehdenkerääjä on kiinnitetty leikkuuterään, se kerää jättelehdet ja helpottaa siivoamista jälkeensä.

► **Kuva26**

## KUNNOSSAPITO

**HUOMIO:** Varmista aina ennen tarkastusta tai huoltoa, että työkalu on sammutettu ja akku irrotettu.

**HUOMIO:** Aseta työkalu aina maahan, kun tutkit tai huollat sitä. Työkalun kokoaminen tai säätämisen pystyasennossa voi aiheuttaa vakavia vammoja.

Tuotteen TURVALLISUUDEN ja LUOTETTAVUUDEN takaamiseksi korjaukset, muut huoltotyöt ja säädöt on teetettävä Makitan valtuutetussa huoltopisteessä Makitan varaosia käyttäen.

### Laitteen puhdistaminen

Puhdista laite pyyhkimällä pölyt kuivalla liinalla tai kostuta liina saippuaveteen ja rutista kuivaksi.

**HUOMAUTUS:** Älä koskaan käytä bensiiniä, ohenteita, alkoholia tai tms. aineita. Muutoin pinta voi halkeilla tai sen värit ja muoto voivat muuttua. Muutoin laitteeseen voi tulla värjäytyksiä, muodon vääristymiä tai halkeamia.

### Leikkuuterän huolto

Lisää ennen käyttöä ja käytön aikana tunnin välein matalaviskositeettistä öljyä (koneöljyä tai suihkutettavaa voiteluöljyä) leikkuuterään.

► **Kuva27**

Puhdista käytön jälkeen leikkuuterän molemmat puolet pölystä metalliharjalla, pyyhi leikkuuterä rievulla ja levitä terään matalaviskositeettistä öljyä (koneöljyä tai suihkutettavaa voiteluöljyä).

► **Kuva28**

**HUOMAUTUS:** Älä pese leikkuuterää vedellä. Se voi aiheuttaa ruostumista tai vaurioittaa laitetta.

**HUOMAUTUS:** Lika ja korrosio aiheuttavat terien liikkakittaisuuden ja lyhentävät käyttöaikaa jokaisen akun latauksen yhteydessä.

## Säilytys

Käytä teräsuojusta, jotta leikkuuterät eivät ole paljaana. Säilytä laitetta lasten ulottumattomissa. Säilytä laitetta paikassa, missä se ei altistu kosteudelle tai sateelle.

## VIANMÄÄRITYS

Tarkista laite ensin itse, ennen kuin viet sen korjattavaksi. Jos ongelmaan ei löydy ratkaisua käyttöoppaasta, älä kuitenkaan yritä purkaa työkalua osiin. Vie ota sen sijaan yhteyttä Makita-huoltoliikkeeseen. Käytä korjaamiseen aina alkuperäisiä Makita-varaosia.

Epänormaali tila	Todennäköinen syy (toimintahäiriö)	Korjaus
Moottori ei käy.	Akkupakettia ei ole asennettu.	Kiinnitä akku paikalleen.
	Akkuongelma (alijännite)	Lataa akku. Jos lataaminen ei toimi tehokkaasti, vaihda akku.
	Vetojärjestelmä ei toimi oikein.	Pyydä valtuutettua huoltoliikettäsi korjaamaan laite.
Moottori lakkaa käymästä, kun sitä on käytetty hetki, tai ei käynnisty lainkaan.	Akun varaustila on alhainen.	Lataa akku. Jos lataaminen ei toimi tehokkaasti, vaihda akku.
	Ylikuumentuminen.	Lopeta työkalun käyttö ja anna sen jäähtyä.
Työkalu ei saavuta suurinta kierroslukua.	Akkua ei ole asennettu oikein.	Asenna akkupaketti tämän käyttöohjeen ohjeiden mukaan.
	Akun teho laskee.	Lataa akku. Jos lataaminen ei toimi tehokkaasti, vaihda akku.
	Vetojärjestelmä ei toimi oikein.	Pyydä valtuutettua huoltoliikettäsi korjaamaan laite.
Leikkuuterät eivät liiku: ⇒ pysäytä kone välittömästi!	Leikkuuterien kulma on virheellinen.	Varmista, että kärkiosa on tukevasti kiinnitetty työskentelyasentoon.
	Vieraita esineitä on tarttunut leikkuuterien väliin.	Kytke työkalu pois päältä, irrota akkupaketti ja irrota sitten vieraat esineet pihdeillä tai muilla työkaluilla.
	Vetojärjestelmä ei toimi oikein.	Pyydä valtuutettua huoltoliikettäsi korjaamaan laite.
Epänormaali ääninä: ⇒ pysäytä kone välittömästi!	Leikkuuterät ovat rikkiinäisiä, taipuneita tai kuluneita.	Vaihda leikkuuterät.
	Vetojärjestelmä ei toimi oikein.	Pyydä valtuutettua huoltoliikettäsi korjaamaan laite.
Leikkuuterät ja moottori eivät pysähdy: ⇒ Poista akku välittömästi!	Sähkövika.	Poista akku ja pyydä valtuutettua huoltoliikettäsi korjaamaan laite.

## LISÄVARUSTEET

**⚠HUOMIO:** Seuraavia lisävarusteita tai laitteita suositellaan käytettäväksi tässä ohjeessa kuvatun Makita-työkalun kanssa. Muiden lisävarusteiden tai laitteiden käyttö voi aiheuttaa henkilövahinkoja. Käytä lisävarusteita ja -laitteita vain niiden käyttötarkoituksen mukaisesti.

Jos tarvitset apua tai yksityiskohtaisempia tietoja seuraavista lisävarusteista, ota yhteys paikalliseen Makitan huoltoon.

- Leikkuuteräkokonaisuus
- Lehdenkerääjä
- Rasva-annostelija
- Aito Makita-akku ja -laturi

**HUOMAA:** Jotkin luettelossa mainitut varusteet voivat sisältyä työkalun toimitukseen vakiovarusteina. Ne voivat vaihdella maittain.

## SPECIFIKATIONER

Model:	UN460WD
Længde af klinger	460 mm
Antal slag pr. minut	3.600 min <sup>-1</sup>
Vinkel for skærende klinger	135° (op 60°, ned 75°)
Samlet længde	1.889 - 2.511 mm
Mærkespænding	D.C. 10,8 V - 12 V maks.
Nettovægt	2,8 - 3,0 kg

- På grund af vores kontinuerlige forsknings- og udviklingsprogrammer kan hosstående specifikationer blive ændret uden varsel.
- Specifikationer kan variere fra land til land.
- Vægten kan være anderledes afhængigt af tilbehøret, inklusive akkuen. Den letteste og tungeste kombination i henhold til EPTA-procedure 01/2014 er vist i tabellen.

## Anvendelig akku og oplader





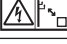

Akku	BL1016 / BL1021B / BL1041B
Oplader	DC10SA / DC10SB / DC10WC / DC10WD / DC18RE

- Nogle af de akkuer og opladere, der er angivet ovenfor, er muligvis ikke tilgængelige, afhængigt af hvilket område du bor i.

**⚠ ADVARSEL: Brug kun de akkuer og opladere, der er angivet ovenfor. Brug af andre akkuer og opladere kan medføre personskade og/eller brand.**

## Symboler

Følgende viser de symboler, der muligvis anvendes til udstyret. Sørg for, at du forstår deres betydning før brugen.

	Læs betjeningsvejledningen.
	Må ikke udsættes for fugt.
	Brug hjelm, beskyttelsesbriller og høreværn.
	FARE - Hold hænder væk fra klingene.
	Pas på elektriske ledninger, risiko for elektrisk stød.
	Hold en afstand på mindst 15 m.



Kun for lande inden for EU  
På grund af tilstedeværelsen af farlige komponenter i udstyret kan affald af elektrisk og elektronisk udstyr, akkumulatører og batterier have en negativ indvirkning på miljøet og folkesundheden.

Bortskaf ikke elektriske og elektroniske apparater eller batterier sammen med husholdningsaffald!  
I overensstemmelse med EF-direktiv om affaldshåndtering af elektrisk og elektronisk udstyr og om akkumulatører og batterier og affaldsakkumulatører og -batterier, og i overensstemmelse med national lovgivning, skal brugt elektrisk udstyr, batterier og akkumulatører opbevares separat og leveres til et separat indsamlingssted for kommunalt affald, der er etableret i henhold til bestemmelserne om miljøbeskyttelse. Dette er angivet ved symbolet på den krydsede skraldespand, der er placeret på udstyret.



Garanteret lydeffektniveau i henhold til EU-direktivet om maskiner til udendørs brug.



Lydeffektniveau i henhold til Australiens NSW forordning om støjemission

## Tilsløget anvendelse

Maskinen er beregnet til at trimme hække.

## Støj

Det typiske A-vægtede støjniveau bestemt i overensstemmelse med EN62841-4-2:

Lydtryksniveau ( $L_{pA}$ ): 74 dB (A)

Usikkerhed (K): 3 dB (A)

Støjniveauet under arbejdet kan overskride 80 dB (A).

**BEMÆRK:** De(n) angivne støjemissionsværdi(er) er målt i overensstemmelse med en standardtestmetode og kan anvendes til at sammenligne en maskine med en anden.

**BEMÆRK:** De(n) angivne støjemissionsværdi(er) kan også anvendes i en præliminær eksponeringsvurdering.

**⚠ ADVARSEL:** Bær høreværn.

**⚠ ADVARSEL:** Støjemissionen under den faktiske anvendelse af maskinen kan være forskellig fra de(n) angivne værdi(er), afhængigt af den måde hvorpå maskinen anvendes, især den type arbejdsemne der behandles.

**⚠ ADVARSEL:** Sørg for at identificere de sikkerhedsforskrifter til beskyttelse af operatøren, som er baseret på en vurdering af eksponering under de faktiske brugsforhold (med hensyntagen til alle dele i brugscykklussen, f.eks. de gange, hvor maskinen er slukket, og når den kører i tomgang i tilgift til afbrydertiden).

## Vibration

Gældende standard : EN62841-4-2

Venstre hånd (forreste greb)		Højre hånd (bageste greb)	
$a_h$ ( $m/s^2$ )	Usikkerhed K ( $m/s^2$ )	$a_h$ ( $m/s^2$ )	Usikkerhed K ( $m/s^2$ )
2,5 $m/s^2$ eller mindre	1,5	2,5 $m/s^2$ eller mindre	1,5

**BEMÆRK:** De(n) angivne totalværdi(er) for vibration er målt i overensstemmelse med en standardtestmetode og kan anvendes til at sammenligne en maskine med en anden.

**BEMÆRK:** De(n) angivne totalværdi(er) for vibration kan også anvendes i en præliminær eksponeringsvurdering.

**⚠ ADVARSEL:** Vibrationsemmissionen under den faktiske anvendelse af maskinen kan være forskellig fra de(n) angivne værdi(er), afhængigt af den måde hvorpå maskinen anvendes, især den type arbejdsemne der behandles.

**⚠ ADVARSEL:** Sørg for at identificere de sikkerhedsforskrifter til beskyttelse af operatøren, som er baseret på en vurdering af eksponering under de faktiske brugsforhold (med hensyntagen til alle dele i brugscykklussen, f.eks. de gange, hvor maskinen er slukket, og når den kører i tomgang i tilgift til afbrydertiden).

## EF-overensstemmelseserklæring

*Kun for lande i Europa*

EF-overensstemmelseserklæringen er inkluderet som Bilag A i denne brugsanvisning.

## SIKKERHEDSADVARSLER

### Almindelige sikkerhedsregler for el-værktøj

**⚠ ADVARSEL:** Læs alle de sikkerhedsadvarsler, instruktioner, illustrationer og specifikationer, der følger med denne maskine. Forsømmelse af at overholde alle nedenstående instruktioner kan medføre elektrisk stød, brand og/eller alvorlig personskade.

### Gem alle advarsler og instruktioner til fremtidig reference.

Ordet "el-værktøj" i advarslerne henviser til det netforsyede (netledning) el-værktøj eller batteriforsyede (akku) el-værktøj.

## Sikkerhedsadvarsler for akku stanghæktrimmer

- Hold alle dele af kroppen væk fra klingerne.** Undlad at fjerne afskåret materiale eller at holde materiale, der skal skæres, når klingerne bevæger sig. Klingerne fortsætter med at bevæge sig, efter der er slukket på afbryderen. Ved brug af hæktrimmeren kan ét øjeblik uopmærksomhed medføre alvorlig personskade.
- Bær hæktrimmeren i håndtaget med klingerne stoppet og pas på ikke at betjene nogen afbryderknop.** Korrekt bæring af hæktrimmeren reducerer risikoen for utilsigtet start og resulterende personskade fra klingerne.
- Ved transport eller opbevaring af hæktrimmeren skal klingedækslet altid sættes på.** Korrekt håndtering af hæktrimmeren reducerer risikoen for personskade fra klingerne.
- Når der fjernes fastklemt materiale, eller enheden serviceres, skal du sørge for, at alle afbryderknapper er slået fra, og at akkuen er fjernet eller frakoblet.** Uventet aktivering af hæktrimmeren mens du fjerner fastklemt materiale eller under eftersyn kan muligvis forårsage alvorlig personskade.

5. **Hold altid kun i hækketrimmeren i de isolerede gribeffader, da klingen kan komme i berøring med skjulte ledninger.** Hvis klinger kommer i kontakt med en strømførende ledning, kan udsatte metaldele på hækketrimmeren blive strømførende, hvorved operatøren kan få elektrisk stød.
6. **Hold alle netledninger væk fra skærområdet.** Netledninger eller kabler kan muligvis være gemt i hække eller buske, og kan ved et uheld skæres over af klingens.
7. **Brug ikke hækketrimmeren i dårligt vejr, især hvis der er risiko for lynnedslag.** Dette reducerer risikoen for at blive ramt af lynnedslag.
8. **For at reducere risikoen dødeligt elektrisk stød må du aldrig anvende stanghækketrimmeren i nærheden af elledninger.** Kontakt med eller brug i nærheden af elledninger kan muligvis forårsage alvorlig tilskadekomst eller elektrisk stød med dødsfald til følge.
9. **Brug altid to hænder, når du betjener stanghækketrimmeren.** Hold stanghækketrimmeren med begge hænder for at undgå tab a kontrol.
10. **Brug altid hovedbeskyttelse, når du betjener stanghækketrimmeren over hovedhøjde.** Nedfaldende rester kan medføre alvorlig personskade.

## Yderligere sikkerhedsinstruktioner

### Forberedelse

1. **DENNE HÆKKETRIMMER KAN FORÅRSAGE ALVORLIGE SKADER.** Læs instruktionerne omhyggeligt for korrekt håndtering, klargøring, vedligeholdelse, start og stop af maskinen. Bliv bekendt med alle kontrollerne og den korrekte brug af maskinen.
2. **Kontrollér hækkene og buskene for fremmedlegemer som f.eks. trådhegn eller skjulte ledninger, før maskinen anvendes.**
3. **Hækketrimmeren må ikke anvendes af børn eller unge på under 18 år.** Unge på over 16 år er muligvis undtaget fra denne begrænsning, hvis de er under oplæring under opsyn af en ekspert.
4. **I tilfælde af en nødsituation skal du med det samme slukke for maskinen og fjerne akkuen.**
5. **FARE - Hold hænderne på afstand af klingens.** Kontakt med klingens vil medføre alvorlig personskade.
6. **Førstegangsbrugere bør få en erfaren bruger til at vise dem, hvordan man bruger maskinen.**
7. **Før brugen skal du kontrollere arbejdsområdet for trådhegn, sten eller andre hårde genstande. De kan beskadige klingerne.**
8. **Brug kun hækketrimmeren, hvis du er i god fysisk form.** Hvis du er træt, vil din opmærksomhed være reduceret. Vær særligt opmærksom sidst på arbejdsdagen. Udfør alt arbejde roligt og omhyggeligt. Brugeren er ansvarlig for enhver skade på tredjepart.
9. **Før du påbegynder arbejdet, skal du kontrollere, at trimmeren er i god og korrekt arbejds-tilstand. Kontroller, at beskyttelseskærme er monteret korrekt. Hækketrimmeren må ikke anvendes, medmindre den er fuldt samlet.**
10. **Undgå farlige miljøer.** Brug ikke maskinen på fugtige eller våde steder, og udsæt den ikke for regn. Hvis der kommer vand ind i maskinen, forøger det risikoen for elektrisk stød.

### Personligt beskyttelsesudstyr

1. **Arbejdshandsker af solidt læder er en del af det grundlæggende udstyr til hækketrimmeren og skal altid bæres, når du arbejder med den. Bær også solide sko med skridsikre såler.**
2. **Bær høreværn som f.eks. høreværn for at forhindre høretab.**
3. **Bær beskyttelsesbriller, sikkerhedshjelm og beskyttelseshandsker som beskyttelse mod flyvende partikler eller faldende genstande.**
4. **Bær beskyttelseshandsker, når du berører klingerne eller justerer vinklen på klingens.** Klinger kan skære bare hænder alvorligt.

### Betjening

1. **Brug altid to hænder til at betjene maskinen.** Brug af én hånd kan medføre at du mister kontrollen og resultere i alvorlig personskade.
2. **Mens du bruger maskinen, skal du sikre dig, at betjeningspositionen er sikker.** Det er ekstremt farligt at strække sig for langt med maskinen, især fra en stige. Undlad at arbejde fra nogen som helst ustabil eller usikker platform.
3. **Anvend ikke flere bæltesele og/eller skuldersele på samme tid, når du anvender maskinen.**
4. **Hold tilskuere og dyr mindst 15 m væk fra maskinen under brugen.** Stop maskinen, så snart nogen nærmer sig.
5. **Hvis skæreværktøjet rammer en genstand, eller maskinen begynder at lave en unormal lyd eller vibrere, skal du slukke for maskinen og straks fjerne akkuen og lade maskinen stoppe. Og følg derefter de følgende trin:**
  - inspicer for beskadigelse
  - kontroller, om der er løse dele, og stram dem i så fald
  - få beskadigede dele udskiftet eller repareret med originale reservedele.
6. **Brug kun maskinen til det, den er beregnet til. Brug ikke maskinen til noget andet formål.**
7. **Sluk for maskinen, og tag akkuen ud, inden:**
  - rengøring eller når du fjerner en hindring,
  - eftersyn, vedligeholdelse af eller arbejde på maskinen,
  - justering af arbejdspositionen af klingerne,
  - maskinen efterlades uden opsyn.
8. **Sørg for at maskinen er korrekt placeret i en designeret arbejdsposition, inden maskinen startes.**
9. **Betjen ikke maskinen med en beskadiget eller meget slidt klinge.**
10. **Vær altid opmærksom på dine omgivelser og opmærksom på mulige risici, som du muligvis ikke er opmærksom på pga. støjen fra maskinen.**
11. **Vær forsigtig med ikke at ramme et metalhegn eller andre hårde genstande ved et uheld under betjening.** Klingens vil gå i stykker og muligvis forårsage alvorlig tilskadekomst.

12. **Undgå utilsigtet start.** Bær ikke maskinen, når akkuen er installeret og med fingeren på afbryderen. Sørg for, at afbryderen er slået fra, når du installerer akkuen.
13. **Tag ikke fat i de blotlagte skærende klinger eller skærekanter, når maskinen løftes eller holdes.**
14. **Undlad at presse maskinen.** Den gør et bedre job og med mindre risiko for personskade ved den hastighed, den er udviklet til.
15. **Brug ikke maskinen i regnvejr eller under våde eller meget fugtige forhold.** Den elektriske motor er ikke vandtæt.
16. **Hold godt fast i maskinen, når du bruger maskinen.**
17. **Betjen ikke maskinen unødigt uden belastning.**
18. **Før du kontrollerer klingerne, udbedrer fejl eller fjerner fremmedlegemer, der sidder fast i klingerne, skal du altid slukke for maskinen og fjerne akkuen.**
19. **Ret aldrig klingerne mod dig selv eller andre.**
20. **Hvis klingerne holder op med at bevæge sig under brugen på grund af fremmedlegemer, der sidder fast mellem klingerne, skal du slukke for maskinen og fjerne akkuen og derefter fjerne fremmedlegemerne ved hjælp af redskaber som f.eks. en tang.** Hvis du fjerner fremmedlegemerne i hånden, kan det medføre personskade, da klingerne kan bevæge sig som reaktion på fjernelsen af fremmedlegemerne.

#### Elektrisk sikkerhed og batterisikkerhed

1. **Undgå farlige miljøer. Brug ikke maskinen på fugtige eller våde steder, og udsæt den ikke for regn.** Hvis der kommer vand ind i maskinen, forøger det risikoen for elektrisk stød.
2. **Undlad at kaste batterierne i åben ild.** Cellen kan eksplodere. Tjek de lokale regler for eventuelle særlige instruktioner vedrørende bortskaffelse.
3. **Undlad at åbne eller mishandle batterierne.** Lækket elektrolyt er ætsende og kan medføre skader på øjnene eller huden. Den kan være giftig, hvis den indtages.
4. **Undlad at oplade batteriet i regnvejr eller under våde forhold.**
5. **Oplad ikke batteriet uden døre.**
6. **Håndter ikke oplader, herunder opladerstik, og opladerterminaler med våde hænder.**

#### Vedligeholdelse og opbevaring

1. **Når maskinen er stoppet med henblik på service, eftersyn eller opbevaring, skal du slukke for maskinen og fjerne akkuen, og sørge for, at alle bevægelige dele er stoppet helt.** Lad maskinen køle af inden du foretager nogen eftersyn, justeringer osv.
2. **Lad altid maskinen køle af, inden den stilles til opbevaring.**
3. **Når den ikke er i brug, skal klingedækslet til maskinen monteres, og maskinen skal opbevares indendørs på et tørt og højtliggende aflåst sted, der er utilgængeligt for børn.**

4. **Vedligehold maskinen omhyggeligt.** Hold den skærende kant skarp og ren for bedst mulig ydeevne og for at reducere risikoen for tilskadekomst. Følg instruktionerne for smøring og udskiftning af tilbehør. Hold grebene tørre og rene, og fri for olie og fedt.
5. **Kontroller beskadigede dele.** Før yderligere brug af maskinen skal enhver del, som er beskadiget, kontrolleres omhyggeligt for at fastslå, om den vil fungere korrekt og udføre sin tilsigtede funktion. Se efter justering af bevægelige dele, binding af bevægelige dele, dele, som er gået i stykker, montering og andre forhold, der kan påvirke deres funktion. En beskyttelsesskærm eller anden del, der er beskadiget, skal repareres eller udskiftes af dit autoriserede servicecenter.
6. **Brug kun originale reservedele.**
7. **Når maskinen flyttes til et andet sted, herunder under arbejde, skal du altid fjerne akkuen og sætte klingedækslet på klingerne.** Du må aldrig bære eller transportere maskinen, mens klingerne kører. Tag aldrig fat i klingerne med hænderne.
8. **Rengør maskinen og især klingerne efter brug, og før maskinen lægges til opbevaring i længere tid.** Smør klingerne let med olie, og sæt klingedækslet på.
9. **Undlad at kaste batterierne i åben ild.** Cellen kan eksplodere. Tjek de lokale regler for eventuelle særlige instruktioner vedrørende bortskaffelse.
10. **Undlad at åbne eller mishandle batterierne.** Lækket elektrolyt er ætsende og kan medføre skader på øjnene eller huden. Den kan være giftig, hvis den indtages.
11. **Undlad at oplade batteriet i regnvejr eller under våde forhold.**

## GEM DENNE BRUGSANVISNING.

**⚠ ADVARSEL:** LAD IKKE bekvemmelighed eller kendskab til produktet (opnået gennem gentagen brug) forhindre, at sikkerhedsforskrifterne for produktet nøje overholdes. MISBRUG eller forsømmelse af at følge de i denne brugsvejledning givne sikkerhedsforskrifter kan føre til, at De kommer alvorligt til skade.

### Vigtige sikkerhedsinstruktioner for akkuen

1. **Læs alle instruktioner og advarselsmærkater på (1) akku-opladeren, (2) akkuen og (3) produktet, som anvender akku.**
2. **Adskil eller ændr ikke akkuen.** Det kan muligvis resultere i en brand, overdreven varme eller eksplosion.
3. **Hold straks op med anvendelsen, hvis brugstiden er blevet stærkt afkortet.** Fortsat anvendelse kan resultere i risiko for overophedning, forbrændinger og endog eksplosion.
4. **Hvis De har fået elektrolytvæske i øjnene, skal De straks skylle den ud med rent vand og derefter øjeblikkeligt søge lægehjælp.** I modsat fald kan De miste synet.

5. Vær påpasselig med ikke at komme til at kortslutte akkuen:
  - (1) Rør ikke ved terminalerne med noget ledende materiale.
  - (2) Undgå at opbevare akkuen i en beholder sammen med andre genstande af metal, for eksempel søm, mønter og lignende.
  - (3) Udsæt ikke akkuen for vand eller regn. Kortslutning af akkuen kan forårsage en kraftig øgning af strømmen, overophedning, mulige forbrændinger og endog værktøjstop.
6. Opbevar og brug ikke maskinen og akkuen på steder, hvor temperaturen muligvis kan nå eller overstige 50 °C.
7. Lad være med at brænde akkuen, selv ikke i tilfælde, hvor den har lidt alvorlig skade eller er fuldstændig udtjent. Akkuen kan eksplodere, hvis man forsøger at brænde den.
8. Slå ikke søm i, skær ikke i, knus, kast, tab ikke akkuen og stød ikke akkuen mod en hård genstand. Sådant adfærd kan muligvis resultere i en brand, overdreven varme eller eksplosion.
9. Anvend ikke en beskadiget akku.
10. De indbyggede litium-ion-batterier er underlagt lovkrav vedrørende farligt gods. Ved kommerciel transport, f.eks. af tredjeparts transportselskaber, skal særlige krav til forpakning og mærkning overholdes. Ved forberedelse af udstyret til forsendelse skal du kontakte en ekspert i farligt gods. Overhold også eventuel mere detaljeret national lovgivning. Tape eller tildæk åbne kontakter, og pak batteriet på en måde, så det ikke kan flytte sig rundt i pakningen.
11. Når akkuen bortskaffes, skal du fjerne den fra maskinen og bortskaffe den på et sikkert sted. Følg de lokale love vedrørende bortskaffelsen af batterier.
12. Brug kun batterierne med de produkter, som Makita specificerer. Hvis batterierne installeres i ikke-kompatible produkter, kan det medføre brand, kraftig varme, eksplosion eller udsivning af elektrolyt.
13. Hvis maskinen ikke skal bruges i længere tid ad gangen, skal du fjerne batteriet fra maskinen.
14. Akkuen kan muligvis under og efter brug være varm, hvilket kan forårsage forbrændinger eller lavtemperaturforbrændinger. Vær påpasselig med håndtering af varme akkuer.
15. Rør ikke terminalen på maskinen straks efter brug, da den bliver varm nok til at forårsage forbrændinger.
16. Sørg for at spåner, støv eller jord ikke sætter sig fast inde i terminalerne, hullerne og rillerne på akkuen. Det kan muligvis medføre dårlig ydelse eller nedbrud af maskinen eller akkuen.
17. Medmindre maskinen understøtter brugen i nærheden af elektriske højspændingsledninger, skal du ikke anvende akkuen i nærheden af elektriske højspændingsledninger. Det kan muligvis medføre funktionsfejl på eller nedbrud af maskinen eller akkuen.
18. Opbevar batteriet utilgængeligt for børn.

## GEM DENNE BRUGSANVISNING.

**⚠ FORSIGTIG:** Brug kun originale batterier fra Makita. Brug af uoriginale Makita-batterier, eller batterier som er blevet ændret, kan muligvis medføre brud på batteriet, hvilket kan forårsage brand, personskade eller beskadigelse. Det ugyldiggør også Makita-garantien for Makita-maskinen og opladeren.

## Tips til opnåelse af maksimal akku-levetid

1. Oplad akkuen, inden den er helt afladet. Stop altid værktøjet, og oplad akkuen, hvis De bemærker, at værktøjeffekten er aftagende.
2. Genoplad aldrig en fuldt opladet akku. Overopladning vil afkorte akkuens levetid.
3. Oplad akkuen ved stuetemperatur ved 10 °C - 40 °C. Lad altid en varm akku få tid til at køle af, inden den oplades.
4. Når du ikke anvender akkuen, skal du fjerne den fra maskinen eller opladeren.

## BESKRIVELSE AF DELENE

► Fig.1

1	Hoved	2	Vinkeljusteringsknap	3	Låsehåndtag	4	Tommelfinger møtrik
5	Forreste greb	6	Bageste greb	7	Akku	8	Afbryderknap
9	Lås fra-knap	10	Klinger	-	-	-	-



## FUNKTIONSBESKRIVELSE

**⚠️FORSIGTIG:** Sørg altid for at maskinen er slukket, og at akkuen er taget ud, før der udføres justering eller kontrol af funktioner på maskinen.

### Isætning eller fjernelse af akkuen

**⚠️FORSIGTIG:** Sluk altid for værktøjet, før De monterer eller fjerner akkuen.

**⚠️FORSIGTIG:** Hold værktøjet og akkuen fast ved montering eller fjernelse af akkuen. Hvis De ikke holder værktøjet og akkuen fast, kan de glide ud af hænderne på Dem og forårsage beskadigelse af værktøjet og akkuen eller personskade.

► **Fig.2:** 1. Rød indikator 2. Knap 3. Akku

Akkuen fjernes ved, at De trækker den ud af værktøjet, idet De skyder knappen på forsiden af akkuen i stilling.

For at montere akkuen skal du justere tungen på akkuen med rillen i huset og skubbe den på plads. Indsæt den hele vejen, indtil den låses på plads med et lille klik. Hvis du kan se den røde indikator, som vist i figuren, er den ikke helt låst.

**⚠️FORSIGTIG:** Monter altid akkuen helt, indtil den røde indikator ikke længere er synlig. Hvis dette ikke gøres, kan den falde ud af værktøjet ved et uheld, hvorved De selv eller personer i nærheden kan komme til skade.

**⚠️FORSIGTIG:** Brug ikke magt ved montering af akkuen. Hvis akkuen ikke glider på plads uden problemer, betyder det, at den ikke sættes i på korrekt vis.

### Indikation af den resterende batteriladning

**Kun til akkuer med indikatoren**

► **Fig.3:** 1. Indikatorlamper 2. Kontrolknap

Tryk på kontrolknappen på akkuen for at få vist den resterende batteriladning. Indikatorlampen lyser i nogle sekunder.

Indikatorlamper		Resterende kapacitet
Tændt	Slukket	
■ ■ ■ ■	□	75% til 100%
■ ■ ■ □	□	50% til 75%
■ ■ □ □	□	25% til 50%
■ □ □ □	□	0% til 25%

**BEMÆRK:** Afhængigt af brugsforholdene og den omgivende temperatur kan indikationen afvige en smule fra den faktiske ladning.

## Beskyttelsessystem til værktøj/batteri

Maskinen er udstyret med et beskyttelsessystem til maskinen/batteriet. Dette system afbryder automatisk strømmen til motoren for at forlænge maskinens og batteriets levetid. Maskinen stopper automatisk under brug, hvis maskinen eller batteriet udsættes for et af følgende forhold:

### Overbelastet:

Maskinen betjenes på en måde, der får den til at bruge unormalt meget strøm. Sluk i så fald for maskinen, og stop den anvendelse, der medførte overbelastningen af maskinen. Tænd derefter for maskinen for at starte igen. Hvis maskinen ikke starter, er batteriet overophedet. Lad i så fald batteriet køle af, før du tænder for maskinen igen.

### Lav spænding på akkuen:

Den resterende batteriladning er for lav, og maskinen vil ikke fungere. Hvis du tænder for maskinen, kører motoren igen, men stopper i løbet af kort tid. I så fald skal batteriet fjernes og genoplades.

## Afbryderbetjening

**⚠️ADVARSEL:** Inden akkuen sættes i maskinen, bør De altid kontrollere, at afbryderknappen fungerer korrekt, og returnerer til "OFF"-positionen, når den slippes.

**⚠️ADVARSEL:** Af hensyn til din sikkerhed er maskinen forsynet med lås fra-knap, der forhindrer, at maskinen starter ved et uheld. Brug aldrig maskinen, hvis den starter, når du trykker på afbryderknappen uden at trykke på lås fra-knappen. Kontakt det lokale Makita servicecenter for reparation.

**⚠️ADVARSEL:** Du må aldrig deaktivere låsefunktionen eller holde lås fra-knappen nede med tape.

**BEMÆRKNING:** Undlad at trykke på afbryderknappen med magt uden at trykke på lås fra-knappen. Kontakten kan gå i stykker.

► **Fig.4:** 1. Lås fra-knap 2. Afbryderknap

For at forhindre, at afbryderknappen trykkes ind ved et uheld, er maskinen udstyret med en aflåseknap. Maskinen startes ved at trykke lås fra-knappen ned og trykke på afbryderknappen. Slip afbryderknappen for at stoppe. Lås fra-knappen kan trykkes ned fra enten højre eller venstre side.

## Justering af skærevinklen

**⚠️FORSIGTIG:** Sørg altid for, at der er slukket for maskinen, inden hovedet foldes sammen eller foldes ud.

**⚠️FORSIGTIG:** Når du folder hovedet sammen for at bære maskinen eller efter brug af maskinen, skal du sørge for at montere klingedækslet, inden du folder hovedet sammen.

**⚠️FORSIGTIG:** Når du folder hovedet sammen, skal du passe på ikke at klemme dine fingre mellem hovedet og maskinens kabinet.

Vinklen på hovedet kan justeres i 10 trin. For at ændre vinklen på hovedet skal du følge trinene nedenfor.

1. Hold hovedet og maskinens kabinet som vist på figuren.

► **Fig.5:** 1. Hoved 2. Vinkeljusteringsknop

2. Juster vinklen på hovedet, mens du holder vinkeljusteringsknappen nede, og slip derefter vinkeljusteringsknappen.

3. Flyt hovedet en lille smule, indtil det låses med et klik.

**BEMÆRK:** Sørg for, at hovedet er ordentligt låst fast, inden du betjener maskinen.

## Justering af rørlængden

**⚠FORSIGTIG:** Sørg altid for, at maskinen er slukket, inden du justerer rørlængden.

**⚠FORSIGTIG:** Ved justering af rørlængden, skal du sørge for at fastgøre klingedækslet, før rørlængden justeres.

**⚠FORSIGTIG:** Pas på ikke at klemme fingrene, når du justerer rørlængden.

**⚠FORSIGTIG:** Sørg for, at låsehåndtaget er låst forsvarligt.

**⚠FORSIGTIG:** Når du justerer rørlængden, skal du lægge maskinen på siden. Når du sætter maskinen på højkant, vil hovedet pludselig falde ned, hvilket kan medføre personskaade.

Løsn låsehåndtaget, juster derefter længden på røret, og lås derefter låsehåndtaget.

► **Fig.6:** 1. Låsehåndtag

## Justering af det forreste grebs position

**⚠FORSIGTIG:** Sørg altid for, at maskinen er slukket, inden du justerer det forreste grebs position.

**⚠FORSIGTIG:** Pas på ikke at klemme fingrene, når du justerer det forreste grebs position.

**⚠FORSIGTIG:** Sørg for, at tommelfinger møtrikken er strammet sikkert.

**⚠FORSIGTIG:** Flyt ikke det forreste greb ud over pilemærket.

For at justere det forreste grebs position skal du løse tommelfinger møtrikken ved at dreje den mod uret, derefter justere positionen på det forreste greb og derefter stramme tommelfinger møtrikken ved at dreje den med uret.

► **Fig.7:** 1. Tommelfinger møtrik 2. Pilemærke

## SAMLING

**⚠FORSIGTIG:** Sørg altid for at maskinen er slukket, og at akkuen er taget ud, før der udføres noget arbejde på maskinen.

**⚠FORSIGTIG:** Ved udskiftning af klingerne skal du altid bære handsker, så dine hænder ikke kommer i direkte kontakt med klingerne.

## Montering eller fjernelse af klingerne

**⚠FORSIGTIG:** Monter klingedækslet, før klingerne fjernes eller monteres.

**BEMÆRKNING:** Ved udskiftning af klingerne må du ikke aftørre fedtstof fra gearet og krumtappen.

**BEMÆRK:** Inden du installerer eller fjerner klingerne, skal du folde hovedet ud på maskinen, så hovedet er lige i forhold til maskinens kabinet.

1. Vend maskinen med bunden i vejret.
2. Fjern 4 skruer med en skruetrækker, og fjern klingerne.  
► **Fig.8:** 1. Skruer
3. Fjern krumtappen fra klingerne.  
► **Fig.9:** 1. Krumtap

**BEMÆRK:** Krumtappen kan blive siddende i maskinen.

4. Forbered krumtappen og de nye klinger.  
► **Fig.10:** 1. Krumtap 2. Klinger
5. Fjern klingedækslet, og monter det derefter på de nye klinger.
6. Påfør en lille smule fedt i krumtappens periferi. Fastgør spændeskiven, tandhjulet og krumtappen til stiften i rækkefølge.  
► **Fig.11:** 1. Krumtap 2. Tandhjul 3. Spændeskive 4. Stift
7. Juster krumtappen, så de 2 små huller på krumtappen er på linje med justeringslinjen, som vist på figuren.  
► **Fig.12:** 1. Justeringslinje 2. Lille hul
8. Skub klingerne, så hullet på ledepladen er placeret midt på ringene på klingerne.  
► **Fig.13:** 1. Ledeplyade
9. Indsæt skruen, der blev fjernet i trin 2, i hullet på klingerne gennem hullet på klingedækslet.  
► **Fig.14:** 1. Hul
10. Fastgør klingerne til maskinen, og stram derefter 3 skruer med skruetrækkeren.  
► **Fig.15:** 1. Skruer
11. Fjern skruen, der blev indsat i hullet på klingerne i trin 9, og stram den derefter for at fastgøre klingerne.

**BEMÆRKNING:** Hvis klingerne ikke fungerer korrekt, griber de ikke korrekt ind i krumtappen. Fjern klingerne, og monter dem igen.

**BEMÆRKNING:** Hvis andre dele end klingerne, f.eks. krumtappen, er slidt, skal du bede et autoriseret Makita-servicecenter om udskiftning af dele eller reparation.

## Montering eller afmontering af spånbakken

### Ekstraudstyr

**⚠FORSIGTIG:** Ved montering eller fjernelse af spånbakken skal du altid bære handsker, så dine hænder ikke kommer i direkte kontakt med klingerne.

**⚠FORSIGTIG:** Fastgør klingedækslet før spånbakken installeres eller fjernes.

Spånbakken opsamler fraskårne blade og gør den efterfølgende rengøring meget lettere. Den kan monteres på begge sider af maskinen.

1. Juster hullerne på spånbakken, så de er på linje med møtrikkerne på klingerne.

► Fig.16: 1. Møtrik

2. Fastgør spånbakkens kløer til klingernes rille.

► Fig.17: 1. Klo 2. Rille

3. Tryk på armene på spånbakken, og fastgør derefter kløerne på den anden side til rillen på klingerne.

► Fig.18: 1. Arm

For at afmontere spånbakken skal du trykke på armene for at frigøre kløerne.

► Fig.19: 1. Arm

**BEMÆRKNING:** Forsøg aldrig at fjerne spånbakken ved at bruge vold, når kløerne er låst fast i rillerne på klingerne.

## ANVENDELSE

### Betjening af maskinen

**⚠ADVARSEL:** Brug ikke maskinen i nærheden af elledninger. Kontakt med elledninger eller brug i nærheden af elledninger kan muligvis forårsage alvorlig tilskadekomst eller elektrisk stød med dødsfald til følge.

**⚠ADVARSEL:** Hold hænderne på afstand af klingerne.

**⚠ADVARSEL:** Vær yderst omhyggelig med at bevare kontrollen over maskinen til enhver tid. Lad ikke maskinen blive slynget tilbage mod dig selv eller andre i arbejdsområdet. Hvis du ikke bevarer kontrollen over maskinen, kan det forårsage alvorlig personskade for tilskueren og operatøren.

**⚠FORSIGTIG:** Undgå så vidt muligt at anvende maskinen i meget varmt vejr. Vær opmærksom på din fysiske tilstand, når du anvender maskinen.

**⚠FORSIGTIG:** Vær forsigtig med ikke at ramme et metalhegn eller andre hårde genstande ved et uheld under trimningen. Klingerne kan gå i stykker og forårsage personskade.

**⚠FORSIGTIG:** Vær forsigtig med ikke at lade klingerne komme i kontakt med jorden. Maskinen kan slå tilbage og forårsage personskade.

**⚠FORSIGTIG:** Det er ekstremt farligt at strække sig for langt med en hæktrimmer, især fra en stige. Undlad at arbejde, mens du står på en ustabil eller usikker platform.

**BEMÆRKNING:** Forsøg ikke at klippe grene, der er tykkere end 10 mm i diameter, med maskinen. Beskær grene til 10 cm under skærehøjden ved hjælp af en grensaks, før du bruger denne maskine.

► Fig.20: (1) Skærehøjde (2) 10 cm

**BEMÆRKNING:** Undlad at beskære døde træer eller lignende hårde genstande. Hvis du gør dette, kan det beskadige maskinen.

**BEMÆRKNING:** Undlad at trimme græs eller ukrudt, mens du bruger klingerne. Klingerne kan blive viklet ind i græsset eller ukrudtet.

Hold maskinen med begge hænder ved at holde i det forreste greb og det bageste greb.

► Fig.21: 1. Forreste greb 2. Bagerste greb

Tryk på afbryderknappen mens du trykker på lås fra-knappen, og bevæg derefter maskinen fremad.

► Fig.22

Ved almindelig brug skal du vippe klingerne i trimningsretningen og flytte den roligt og langsomt med en hastighed på 3 til 4 sekunder pr. meter.

► Fig.23

For at klippe siden af en hæk jævnt skal du klippe fra bunden mod toppen.

► Fig.24

Ved beskæring for at opnå en rund form (trimning af buksbom eller rododendron osv.) skal du trimme fra roden mod toppen for at opnå en flot finish.

► Fig.25

Hvis spånbakken er monteret på klingerne, opsamler den bortskårne blade og gør den efterfølgende oprydning meget lettere.

► Fig.26

## VEDLIGEHOJDELSE

**⚠️ FORSIGTIG:** Vær altid sikker på, at værktøjet er slukket, og at akkuen er taget ud, inden De begynder at udføre inspektion eller vedligeholdelse.

**⚠️ FORSIGTIG:** Ved inspektion eller vedligeholdelse af maskinen skal du altid lægge maskinen ned. Samling eller justering af maskinen i stående position kan medføre alvorlig personskade.

For at opretholde produktets SIKKERHED og PÅLIDELIGHED må reparation, vedligeholdelse eller justering kun udføres af et autoriseret Makita servicecenter eller fabrikksservicecenter med anvendelse af Makita reservedele.

### Rengøring af maskinen

Rengør maskinen ved at aftørre støv med en tør klud eller en klud, der er dyppet i sæbevand og vredet.

**BEMÆRKNING:** Anvend aldrig benzin, rensebenzin, fortynder, alkohol og lignende. Det kan medføre misfarvning, deformation eller revner.

## Vedligeholdelse af klinger

Før brugen eller én gang i timen under brug skal du smøre olie med lav viskositet (maskinolie eller smørelolie af spraytypen) på klingerne.

► Fig.27

Efter brugen skal du fjerne støv fra begge sider af klingerne med en trådbørste, tørre dem af med en klud og derefter smøre olie med lav viskositet (maskinolie eller smørelolie af spraytypen) på klingerne.

► Fig.28

**BEMÆRKNING:** Undgå at vaske klingerne i vand. Dette kan medføre rust eller beskadigelse af maskinen.

**BEMÆRKNING:** Snavs og rust medfører kraftig klinge friktion og forkorter driftstiden mellem batteriopladninger.

### Opbevaring

Monter klingedækslet på klingerne, så klingerne ikke er blottet. Opbevar maskinen utilgængeligt for børn. Opbevar maskinen på et sted, der ikke er udsat for fugt eller regn.

## FEJLFINDING

Udfør selv en inspektion, inden De anmoder om reparation. Hvis De opdager et problem, som ikke er forklaret i brugsanvisningen, må De ikke forsøge at adskille maskinen. Rådfør Dem i stedet med et autoriseret Makita Servicecenter, og brug altid originale Makita udskiftningsdele til reparationer.

Unormal tilstand	Sandsynlig årsag (fejl)	Afhjælpning
Motoren kører ikke.	Akkuen er ikke indsat.	Indsæt akkuen.
	Problem med batteriet (for lav spænding)	Genoplad batteriet. Udskift batteriet, hvis genopladning ikke er effektiv.
	Drevsystemet fungerer ikke korrekt.	Kontakt det lokale autoriserede servicecenter for reparation.
Motoren holder op med at køre efter kort tids brug, eller motoren kører ikke.	Batteriets opladningsniveau er for lavt.	Genoplad batteriet. Udskift batteriet, hvis genopladning ikke er effektiv.
	Overophedning.	Hold op med at bruge maskinen, så den kan køle ned.
Maskinen når ikke maks. antal omdrejninger pr. minut (RPM).	Batteriet er indsat forkert.	Indsæt akkuen som beskrevet i denne brugervejledning.
	Batteriladningen falder.	Genoplad batteriet. Udskift batteriet, hvis genopladning ikke er effektiv.
	Drevsystemet fungerer ikke korrekt.	Kontakt det lokale autoriserede servicecenter for reparation.
Klinger bevæger sig ikke: ⇒ Stop maskinen med det samme!	Forkert vinkel på klinger.	Sørg for, at hovedet er ordentligt fastgjort på betjeningsvinklen.
	Der sidder fremmedlegemer fast mellem klingerne.	Sluk for maskinen og tag akkuen ud, og fjern derefter fremmedlegemer ved hjælp af værktøj som fx tænger.
	Drevsystemet fungerer ikke korrekt.	Kontakt det lokale autoriserede servicecenter for reparation.
Unormal vibration: ⇒ Stop maskinen med det samme!	Klinger er i stykker, bøjet eller slidte.	Udskift klingerne.
	Drevsystemet fungerer ikke korrekt.	Kontakt det lokale autoriserede servicecenter for reparation.
Klinger og motor kan ikke stoppe: ⇒ Fjern batteriet med det samme!	Elektrisk funktionsfejl.	Fjern batteriet, og kontakt det lokale autoriserede servicecenter for reparation.

# EKSTRAUDSTYR

**⚠️ FORSIGTIG:** Det følgende tilbehør og ekstraudstyr er anbefalet til brug med Deres Makita maskine, der er beskrevet i denne brugsanvisning. Anvendelse af andet tilbehør eller ekstraudstyr kan udgøre en risiko for personskade. Anvend kun tilbehør og ekstraudstyr til det beskrevne formål.

Hvis De behøver hjælp ved valg af tilbehør eller ønsker yderligere informationer, bedes De kontakte Deres lokale Makita servicecenter.

- Klingemontering
- Spånbakke
- Fedtbeholder
- Original Makita akku og oplader

**BEMÆRK:** Nogle ting på denne liste kan være inkluderet i værktøjspakken som standardtilbehør. Det kan være forskellige fra land til land.

## SPECIFIKĀCIJAS

Modelis:	UN460WD
Asmens garums	460 mm
Gājienu skaits minūtē	3 600 min <sup>-1</sup>
Griezējasmens leņķis	135° (60° augšup, 75° lejup)
Kopējais garums	1 889–2 511 mm
Nominālais spriegums	Līdzstrāva 10,8 V–12 V maks.
Neto svars	2,8–3,0 kg

- Nepārtrauktās izpētes un izstrādes programmas dēļ šeit uzrādītās specifikācijas var tikt mainītas bez brīdinājuma.
- Atkarībā no valsts specifikācijas var atšķirties.
- Svars var būt atšķirīgs atkarībā no papildierīces(-ēm), tostarp akumulatora kasetnes. Tabulā ir attēlota vieglākā un smagākā kombinācija atbilstoši EPTA procedūrai 01/2014.

## Piemērotā akumulatora kasetne un lādētājs







Akumulatora kasetne	BL1016 / BL1021B / BL1041B
Lādētājs	DC10SA / DC10SB / DC10WC / DC10WD / DC18RE

- Daži no iepriekš norādītajiem lādētājiem un akumulatora kasetnēm var nebūt pieejami atkarībā no jūsu mītnes reģiona.

**BRĪDINĀJUMS:** Izmantojiet vienīgi iepriekš norādītās akumulatora kasetnes un lādētājus. Cita tipa akumulatora kasetņu un lādētāju izmantošana var radīt traumu un/vai aizdegšanās risku.

## Simboli

Tālāk ir attēloti simboli, kas var attiekties uz darbarīka lietošanu. Pirms darbarīka izmantošanas pārlicinieties, vai pareizi izprotat to nozīmi.

	Izlasiet lietošanas rokasgrāmatu.
	Nepakļaujiet mitruma iedarbībai.
	Izmantojiet ķiveri, aizsargbrilles un ausu aizsargus.
	<b>BĪSTAMI!</b> Netuviniet rokas asmenim.
	Uzmanieties no elektrības vadiem, elektrottraumas risks.
	Ieturiet vismaz 15 m attālumu.



Tikai ES valstīm  
Tā kā šajā aprīkojumā ir bīstamas sastāvdaļas, elektrisko un elektronisko iekārtu, akumulatoru un bateriju atkritumi var negatīvi ietekmēt apkārtējo vidi un cilvēka veselību.

Elektroierīces, elektroniskās ierīces un akumulatorus nedrīkst izmest kopā ar mājaismniecības atkritumiem!  
Saskaņā ar Eiropas direktīvu par elektrisko un elektronisko iekārtu atkritumiem, akumulatoriem un baterijām, kā arī akumulatoru un bateriju atkritumiem un šīs direktīvas pielāgošanu valsts tiesību aktiem elektrisko un elektronisko iekārtu, bateriju un akumulatoru atkritumi ir jāglabā atsevišķi un jānogādā uz sadzīves atkritumu dalītās savākšanas vietu, ievērojot attiecīgos vides aizsardzības noteikumus.  
Par to liecina uz iekārtas redzams simbols ar pārsvītrotu atkritumu konteineru uz rīteniem.



Garantētais skaņas jaudas līmenis saskaņā ar ES Direktīvu par troksni ārpus telpām.



Skaņas jaudas līmenis saskaņā ar Austrālijas NSW trokšņu kontroles noteikumiem

## Paredzētā lietošana

Šis darbarīks ir paredzēts dzīvžogu apgriešanai.

## Trokšņa līmenis

Tipiskais A svērtais trokšņa līmenis noteikts saskaņā ar EN62841-4-2:

Skaņas spiediena līmeni ( $L_{pA}$ ): 74 dB (A)

Mainīgums (K): 3 dB (A)

Darbības laikā trokšņa līmenis var pārsniegt 80 dB (A).

**PIEZĪME:** Paziņotā trokšņa emisijas vērtība noteikta atbilstoši standarta pārbaudes metodei, un to var izmantot, lai salīdzinātu vienu darbarīku ar citu.

**PIEZĪME:** Paziņoto trokšņa emisijas vērtību arī var izmantot iedarbības sākotnējā novērtējumā.

**▲BRĪDINĀJUMS:** Lietojiet ausu aizsargus.

**▲BRĪDINĀJUMS:** Trokšņa emisija patiesos darba apstākļos var atšķirties no paziņotās vērtības atkarībā no darbarīka izmantošanas veida un jo īpaši atkarībā no apstrādājamā materiāla veida.

**▲BRĪDINĀJUMS:** Lai aizsargātu lietotāju, nosakiet drošības pasākumus, kas pamatoti ar iedarbību reālos darba apstākļos (ņemot vērā visus ekspluatācijas cikla posmus, piemēram, laiku, kamēr darbarīks ir izslēgts un kad darbojas tukšgaitā, kā arī palaides laiku).

## Vibrācija

Attiecīgais standarts : EN62841-4-2

Kreisais (rokturis priekšā)		Labais (rokturis aizmugurē)	
$a_h$ ( $m/s^2$ )	Nenoteiktība K ( $m/s^2$ )	$a_h$ ( $m/s^2$ )	Nenoteiktība K ( $m/s^2$ )
2,5 $m/s^2$ vai mazāk	1,5	2,5 $m/s^2$ vai mazāk	1,5

**PIEZĪME:** Paziņotā kopējā vibrācijas vērtība noteikta atbilstoši standarta pārbaudes metodei, un to var izmantot, lai salīdzinātu vienu darbarīku ar citu.

**PIEZĪME:** Paziņoto kopējo vibrācijas vērtību arī var izmantot iedarbības sākotnējā novērtējumā.

**▲BRĪDINĀJUMS:** Vibrācijas emisija patiesos darba apstākļos var atšķirties no paziņotās vērtības atkarībā no darbarīka izmantošanas veida un jo īpaši atkarībā no apstrādājamā materiāla veida.

**▲BRĪDINĀJUMS:** Lai aizsargātu lietotāju, nosakiet drošības pasākumus, kas pamatoti ar iedarbību reālos darba apstākļos (ņemot vērā visus ekspluatācijas cikla posmus, piemēram, laiku, kamēr darbarīks ir izslēgts un kad darbojas tukšgaitā, kā arī palaides laiku).

## EK atbilstības deklarācija

*Tikai Eiropas valstīm*

EK atbilstības deklarācija šajā lietošanas rokasgrāmatā ir iekļauta kā A pielikums.

## DROŠĪBAS BRĪDINĀJUMI

### Vispārīgi elektrisko darbarīku drošības brīdinājumi

**▲BRĪDINĀJUMS:** Izlasiet visus drošības brīdinājumus, instrukcijas, apskatiet ilustrācijas un tehniskos datus, kas iekļauti mehanizētā darbarīka komplektācijā. Ja netiek ievēroti visi tālāk minētie noteikumi, var tikt izraisīta elektrotrauma, notikt aizdegšanās un/vai rasties smagas traumas.

### Glabājiet visus brīdinājumus un norādījumus, lai varētu tajos ieskatīties turpmāk.

Termins „elektrisks darbarīks” brīdinājumos attiecas uz tādu elektrisko darbarīku, ko darbina ar elektrību (ar vadu), vai tādu, ko darbina ar akumulatoru (bez vada).

### Drošības noteikumi bezvadu dzīvzoga griezēja ar kātu lietošanai

1. Visas ķermeņa daļas turiet pēc iespējas tālāk no asmens. Kad asmeņi kustas, neņemiet nogrieztu materiālu un neturiet griežamo materiālu. Asmeņi turpina kustēties arī pēc slēdža izslēgšanas. Dzīvzoga griezēja lietošanas laikā īss neuzmanības brīdis var izraisīt nopietnus savainojumus.
2. Pārnēsājiet dzīvzoga griezēju aiz roktura un ar apturētu asmeni, raugoties, lai netiktu nospiests ieslēgšanas/izslēgšanas slēdzis. Pareiza dzīvzoga griezēja pārnēsāšana samazina nejaūšas ieslēgšanas un tās izraisītu savainojumu risku.
3. Transportējot vai glabājot dzīvzoga griezēju, vienmēr uzlieciet asmens apvalku. Pareiza dzīvzoga griezēja izmantošana mazinās asmens izraisītu traumu risku.
4. Tūlīt iestrēgušus materiālus vai apkopjot ierīci, raugoties, lai visi slēdži būtu izslēgti un akumulatora kasetne izņemta vai atvienota. Negaidīta dzīvzoga griezēja iedarbošanās apkopes vai iestrēgušu materiālu tīrīšanas laikā var izraisīt nopietnus savainojumus.
5. Turiet dzīvzoga griezēju tikai pie izolētajām satveršanas virsmām, jo asmens var saskarties ar apslēptu elektroinstalāciju. Asmenim saskaroties ar vadu, kurā ir spriegums, dzīvzoga griezēja ārējās metāla virsmas var vadīt strāvu un radīt lietotājam elektrotraumu.



6. Turiet visus strāvas vadus un kabelus atstātus no griešanas zonas. Krūmos vai dzīvžogos var būt paslēpti vadi, kurus var netīšām pārgriezt ar asmeni.
7. Neizmantojiet dzīvžoga griezeņu sliktos laikapstākļos, jo īpaši laikā, kad iespējams zibens. Tādējādi samazinās zibens trieciena risks.
8. Lai samazinātu elektrotraumas risku, nelietojiet dzīvžoga griezeņu ar kātu elektrības vadu tuvumā. Lietošana elektroliņijas tuvumā vai saskarē ar to var izraisīt nopietnu savainojumu risku vai nāvi elektrotraumas rezultātā.
9. Strādājot ar dzīvžoga griezeņu ar kātu, vienmēr turiet to ar abām rokām. Turiet dzīvžoga griezeņu ar abām rokām, lai nezaudētu kontroli pār to.
10. Strādājot ar dzīvžoga griezeņu ar kātu, vienmēr izmantojiet galvas aizsardzības līdzekļus. Krītošas atlūzas var izraisīt nopietnus savainojumus.

## Papildu drošības norādījumi

### Sagatavošanās

1. **ŠIS DZĪVŽOGA GRIEZĒJS VAR IZRAISĪT NOPIETNUS SAVAINOJUMUS.** Uzmanīgi izlasiet pareizas darbarīka lietošanas, sagatavošanas, apkopes, ieslēgšanas un izslēgšanas norādījumus. Izpriet darbarīka vadības funkcijas un pareizas izmantošanas instrukcijas.
2. Pirms darbarīka lietošanas pārbaudiet, vai dzīvžogā vai krūmos neatrodas traucējoši priekšmeti, piemēram, stieplu žogs vai vadi.
3. Dzīvžoga apgriezējmašīnu nedrīkst izmantot bērni vai jaunieši, kas jaunāki par 18 gadiem. Jauniešus, kam ir vairāk par 16 gadiem, var neiekļaut šajā ierobežojumā, ja tie saņem apmācību speciālista uzraudzībā.
4. Avārijas situācijā nekavējoties izslēdziet darbarīku un izņemiet akumulatora kasetni.
5. **BĪSTAMI** - Netuviniet rokas asmenim. Saskaņoties ar asmeni, varat gūt smagas traumas.
6. Pirmajā lietošanas reizē lietotājiem ir jāpieaicina pieredzējis lietotājs, kas parādītu, kā darbarīks ir jālieto.
7. Pirms darba sākšanas pārbaudiet, vai darba vietā nav stieplu žogu, akmeņu vai citu cietu priekšmetu. Šādi priekšmeti var sabojāt asmeņus.
8. Dzīvžoga apgriezējmašīnu lietojiet tikai, ja esat labā fiziskajā stāvoklī. Ja esat noguris, jūsu uzmanība būs samazināta. Īpaši uzmanīgs esiet darba dienas beigās. Visus darbus veiciet mierīgi un uzmanīgi. Lietotājs ir atbildīgs par visiem bojājumiem trešajai pusei.
9. Pirms darba uzsākšanas pārbaudiet, lai pārliecinātos, ka apgriezējmašīna ir labā un drošā darba kārtībā. Nodrošiniet, lai aizsargi ir uzstādīti atbilstoši. Ja dzīvžoga apgriezējmašīna nav pilnībā salikta, to nedrīkst lietot.
10. Izvairieties no bīstamas vides. Darbarīku neizmantojiet mitrās vai slapjās vietās un lietū. Ja darbarīkā iekļūts ūdens, palielināsies elektrotraumas rašanās draudi.

### Individuālās aizsardzības līdzekļi

1. Dzīvžoga apgriezējmašīnas pamata aprīkojumā ir ietverti izturīgas ādas darba cimdi, un darbarīka lietošanas laikā tie vienmēr ir jāvalkā. Uzvelciet arī stingrus apavus ar neslidošu zoli.
2. Lai novērstu dzirdes bojājumus, lietojiet dzirdes aizsarglīdzekļus, piemēram, aizsargaustiņas.
3. Lietojiet aizsargķiveri, aizsargbrilles un aizsargcimdus, lai sevi pasargātu no lidojošiem zariem vai krītošiem priekšmetiem.
4. Pieskaroties asmenim vai pielāgojot asmens lenķi, vienmēr lietojiet aizsargcimdus. Asmeņi var smagi sagriezt kailas rokas.

### Ekspluatācija

1. Ekspluatācijas laikā obligāti turiet darbarīku ar abām rokām. Darbināšana ar vienu roku var jums likt zaudēt kontroli un izraisīt nopietnus savainojumus.
2. Darbinot darbarīku, vienmēr pārliecinieties, ka darba pozīcija ir droša. Stiepšanās ar darbarīku pārāk tālu, it īpaši no kāpnēm, ir ļoti bīstama. Neveiciet darbu, stāvēt uz objektiem, kas ir nestabili vai ļodzīgi.
3. Darbinot darbarīku, nelietojiet vienlaikus vairākas jostas vai plecu siksnas.
4. Izmantošanas laikā nodrošiniet, lai cilvēki vai dzīvnieki neatrastos tuvāk par 15 m no darbarīka. Izslēdziet darbarīku, tiklīdz kāds tuvojas.
5. Ja darbarīks trāpa pa kādu objektu vai sāk radīt neparastus trokšņus vai vibrācijas, nekavējoties izslēdziet darbarīku, izņemiet akumulatora kasetni un ļaujiet darbarīkam apstāties. Tad veiciet šādas darbības:
  - pārbaudiet, vai nav bojājumu;
  - pārbaudiet, vai nav vaļīgu daļu, un, ja ir, pievelciet tās;
  - bojātas daļas salabojiet vai aizstājiet ar oriģinālajām rezerves daļām.
6. Izmantojiet darbarīku tikai tam paredzētajam nolūkam. Neizmantojiet darbarīku citiem mērķiem.
7. Izslēdziet darbarīku un izņemiet akumulatora kasetni šādos gadījumos:
  - tūrot vai atbrīvojot nosprostojumu;
  - pārbaudot, pārnēsājot vai apkopjot darbarīku;
  - pielāgojot šķēru asmeņu darba pozīciju;
  - atstājot darbarīku bez uzraudzības.
8. Pirms darbarīka iedarbināšanas pārliecinieties, ka tas ir pareizi novietots darba vietā.
9. Nedarbiniet darbarīku ar bojātiem vai pārlieku nodilušiem šķēru asmeņiem.
10. Vienmēr pārbaudiet apkārtni un piesargieties no iespējamiem apdraudējumiem, kurus varat nepamanīt darbarīka trokšņa dēļ.
11. Darbības laikā uzmanieties, lai nejauši nesaskartos ar metāla sētu vai citiem cietiem priekšmetiem. Asmens var salūzt un radīt nopietnus savainojumus.

12. Izvairieties no nejaušas ieslēgšanas. Nepārnēsājiet darbarīku ar uzstādītu akumulatora kasetni vai ar pirkstu uz slēdža. Uzstādot akumulatora kasetni, pārliecinieties, ka slēdžis ir izslēgts.
13. Paceļot vai turot darbarīku, nesatveriet to aiz griešanas asmeņiem vai griezējmalām.
14. Nelietojiet darbarīku ar spēku. Darbs veikšies labāk un ar mazāku traumu bīstamību, ja ierīci izmantosit paredzētajā ātrumā.
15. Nelietojiet darbarīku lietus laikā vai mitros un slapjos apstākļos. Elektromotors nav ūdensizturīgs.
16. Darba laikā stingri turiet darbarīku.
17. Lieki nedarbiniet darbarīku bez slodzes.
18. Pirms šķēru asmeņu pārbaušanas, kļūmju novēršanas vai asmeņos iesprūdušo materiālu izņemšanas vienmēr izslēdziet darbarīku un izņemiet akumulatora kasetni.
19. Nekādā gadījumā nevērsiet šķēru asmeņus pret sevi vai citiem.
20. Ja asmeņi apstājas, jo ekspluatācijas laikā starp asmeņiem iesprūduši svešķermeņi, izslēdziet darbarīku un izņemiet akumulatora kasetni, tad, izmantojot instrumentus, piemēram, knaibles, izņemiet svešķermeņus. Iespējams savainoties, izņemot svešķermeņus ar roku, jo izņemšanas laikā asmeņu darbība var izraisīt asmeņu kustēšanos.
5. Pārbaudiet bojātās detaļas. Pirms darbarīka turpmākās lietošanas jebkura bojātā detaļa rūpīgi jāpārbauda, lai pārliecinātos, ka tā darbosies pareizi un pildīs paredzēto funkciju. Pārbaudiet, vai kustīgās daļas ir pareizi savīzītas, brīvi kustas, nav salūzušas; pārbaudiet to stiprinājumus un citus apstākļus, kas var ietekmēt putekļsūcēja darbību. Bojāts aizsargs vai citas daļas pienācīgi jāsaņemontē vai jānoņem pilnvarotā apkopes centrā.
6. Izmantojiet tikai oriģinālās rezerves daļas.
7. Pārvietojot darbarīku, tostarp darba laikā, vienmēr izņemiet akumulatora kasetni un uzlieciet asmens aizsargu uz šķēru asmeņiem. Nekad nenesiet un nepārvietojiet darbarīku, kamēr asmeņi kustas. Asmeņi nekad nedrīkst satvert ar rokām.
8. Pēc darbarīka lietošanas a pirms novietošanas glabāšanā uz ilgāku laiku vienmēr iztīriet to, it īpaši šķēru asmeņus. Nedaudz ieļļojiet šķēru asmeņus un uzlieciet apvalku.
9. Nemetiet akumulatoru ugunī. Elementi var sprāgt. Skatiet attiecīgos valsts noteikumus, lai uzzinātu īpašus norādījumus izmešanai atkritumos.
10. Akumulatorus nedrīkst atvērt vai sabojāt. Iztecējušais elektrolīts ir kodīgs un var nodarīt kaitējumu acīm vai ādai. Norijot tas var būt toksisks.
11. Nelādējiet akumulatoru lietū vai mitrās vietās.

#### Elektrodrošība un akumulatora drošība

1. Izvairieties no bīstamas vides. Darbarīku neizmantojiet mitrās vai slapjās vietās un lietū. Ja darbarīkā iekļūst ūdens, palielināsies elektriskā trieciena rašanās risks.
2. Neatbrīvojieties no akumulatora(-iem), to(-s) dedzinot. Var rasties eksplozija. Skatiet attiecīgos valsts noteikumus, lai uzzinātu īpašus norādījumus izmešanai atkritumos.
3. Akumulatoru(-s) nedrīkst atvērt vai sabojāt. Iztecējušais elektrolīts ir kodīgs un var nodarīt kaitējumu acīm vai ādai. Norijot tas var būt toksisks.
4. Nelādējiet akumulatoru lietū vai mitrās vietās.
5. Nelādējiet akumulatoru ārpus telpām.
6. Neaiztieciet lādētāju, kā arī lādētāja spraudni vai spaiļes ar slapjām rokām.

#### Apkope un glabāšana

1. Kad darbarīks ir apturēts apkopei, apskatei vai glabāšanai, izslēdziet darbarīku, izņemiet akumulatora kasetni un pārliecinieties, ka visas kustīgās daļas ir apturētas. Pirms apskates, apkopes vai pielāgošanas ļaujiet darbarīkam atdzist.
2. Ļaujiet darbarīkam atdzist arī pirms tā novietošanas glabāšanā.
3. Kad darbarīks netiek izmantots, uzlieciet asmens aizsargu un glabājiet to iekšstelpās, sausā un aizslēgtā vietā, kur nevar piekļūt bērni.
4. Apkopiet darbarīku rūpīgi. Uzturiet griezējmalas asas un tīras, lai darbarīks darbotos vislabāk un lai samazinātu savainojumu risku. Ievērojiet eļļošanas un piederumu maiņas norādījumus. Gādājiet, lai rokturi būtu sausi, tīri un uz tiem nebūtu eļļas un smērvielas.

## SAGLABĀJIET ŠOS NORĀDĪJUMUS.

**▲BRĪDINĀJUMS:** NEPIEĻAUJIET to, ka labu iemaņu vai izstrādājuma labas pārzināšanas (darbarīku atkārtoti ekspluatējot) rezultātā vairs stingri neievērojat šī izstrādājuma drošības noteikumus. NEPAREIZI LIETOJOT darbarīku vai neievērojot šajā instrukciju rokasgrāmatā minētos drošības noteikumus, var tikt gūtas smagas traumas.

### Svarīgi drošības norādījumi par akumulatora kasetni

1. Pirms akumulatora lietošanas izlasiet visus norādījumus un brīdinājumus, kuri attiecas uz (1) akumulatora lādētāju, (2) akumulatoru un (3) ierīci, kurā tiek izmantots akumulators.
2. Akumulatora kasetni nedrīkst ne pārveidot, ne izjaukt. Citādi var tikt izraisīta aizdegšanās, pārmerīgs karstums vai sprādziens.
3. Ja akumulatora darbības laiks kļūva ievērojami īsāks, nekavējoties pārtrauciet to izmantot. Citādi, tas var izraisīt pārkarsējumu, uzliesmojumu vai pat sprādzienu.
4. Ja elektrolīts nonāk acīs, izskalojiet tās ar tīru ūdens un nekavējoties griezieties pie ārsta. Tas var izraisīt redzes zaudēšanu.
5. Neradiet īssavienojumu akumulatora kasetnē:
  - (1) Nepieskarieties spaiļem ar elektrību vadošiem materiāliem.

- (2) Neuzglabājiet akumulatoru kasetni kopā ar citiem metāla priekšmetiem, tādiem kā naglas, monētas u. c.
- (3) Nepakļaujiet akumulatora kasetni ūdens vai lietus iedarbībai.  
Akumulatora issavienojums var radīt spēcīgu strāvas plūsmu, pārkaršanu, uzliesmojumu un pat sabojāt akumulatoru.
6. Neglabājiet un neizmantojiet darbarīku un akumulatora kasetni vietās, kur temperatūra var sasniegt vai pārsniegt 50 °C (122 °F).
7. Nededziniet akumulatora kasetni, pat ja tā ir stipri bojāta vai pilnībā nolietota. Akumulatora kasetne ugunī var eksplodēt.
8. Akumulatora kasetni nedrīkst naglot, griezt, saspīest, mest vai nomest, kā arī pa to nedrīkst sist ar cietu priekšmetu. Šādas darbības var izraisīt aizdegšanos, pārmērīgu karstumu vai sprādzienu.
9. Neizmantojiet bojātu akumulatoru.
10. Uz izmantotajiem litija jonu akumulatoriem attiecas likumdošanas prasības par bīstamiem izstrādājumiem.  
Komerציālā transportēšanā, ko veic, piemēram, trešās puses, transporta uzņēmumi, jāievēro uz iesaiņojuma un marķējuma norādītās īpašās prasības.  
Lai izstrādājumu sagatavotu nosūtīšanai, jāsaziņās ar bīstamo materiālu speciālistu. Ievērojiet arī citus attiecināmos valsts normatīvus.  
Vajējus kontaktus nosedziet ar līmlenti vai citādi pārklājiet, bet akumulatoru iesaiņojiet tā, lai sainī tas nevarētu izkustēties.
11. Lai utilizētu akumulatora kasetni, izņemiet to no darbarīka un likvidējiet drošā vietā. Ievērojiet vietējos noteikumus par akumulatora likvidēšanu.
12. Izmantojiet šos akumulatorus tikai ar izstrādājumiem, kurus norādījis Makita. Ievietojot šos akumulatorus nesaderīgos izstrādājumos, var rasties ugunsgrēks, pārmērīgs karstums, tie var uzsprāgt vai no tiem var izcēlēt elektrolīts.
13. Ja darbarīks netīks lietots ilgu laiku, no tā jāizņem akumulators.
14. Lietošanas laikā vai pēc tās akumulatora kasetne var uzkrāt siltumu, kas var izraisīt apdegumus vai zemas temperatūras apdegumus. Ar karstu akumulatora kasetni apejieties rūpīgi.
15. Nepieskarieties darbarīka izvadām uzreiz pēc lietošanas, jo tas var būt sakarsis un izraisīt apdegumus.
16. Neļaujiet akumulatora kasetnes izvadā, atverēs un rievās uzkrāties skaidām, putekļiem vai augsnei. Tādējādi darbarīks vai akumulatora kasetne var sākt darboties nekvalitatīvi vai tikt sabojāti.
17. Neizmantojiet akumulatora kasetni augstsprieguma līniju tuvumā, izņemot gadījumus, kad darbarīks ir piemērots lietošanai augstsprieguma līniju tuvumā. Citādi darbarīks vai akumulatora kasetne var sākt darboties nepareizi vai tikt sabojāti.
18. Glabājiet akumulatoru bērnēm nepieejamā vietā.

## SAGLABĀJIET ŠOS NORĀDĪJUMUS.

**▲UZMANĪBU:** Lietojiet tikai oriģinālos Makita akumulatorus. Ja lietojat neoriģinālus Makita akumulatorus vai pārveidotus akumulatorus, tie var uzsprāgt un izraisīt aizdegšanos, traumas un materiālos zaudējumus. Tikas anulēta arī Makita darbarīka un lādētāja garantija.

## Ieteikumi akumulatora kalpošanas laika pagarināšanai

1. Uzlādējiet akumulatora kasetni, pirms tā ir pilnībā izlādējusies. Vienmēr, kad ievērojat, ka darbarīks darba jauda zudusi, apturiet darbarīku un uzlādējiet akumulatora kasetni.
2. Nekad neuzlādējiet pilnībā uzlādētu akumulatora kasetni. Pārmērīga uzlāde saīsina akumulatora kalpošanas laiku.
3. Uzlādējiet akumulatora kasetni istabas temperatūrā 10 °C - 40 °C. Karstai akumulatora kasetnei pirms uzlādes ļaujiet atdzist.
4. Kad akumulatora kasetne netiek izmantota, izņemiet to no darbarīka vai lādētāja.

## DETAĻU APRAKSTS

► Att.1

1	Galva	2	Leņķa regulēšanas poga	3	Bloķēšanas svira	4	Spārnuzgrieznis
5	Priekšējais rokturis	6	Aizmugures rokturis	7	Akumulatora kasetne	8	Slēdža mēlīte
9	Atbloķēšanas poga	10	Šķēru asmeņi	-	-	-	-

# FUNKCIJU APRAKSTS

**⚠UZMANĪBU:** Pirms darbarīka regulēšanas vai tā darbības pārbaudes vienmēr pārliecinieties, ka darbarīks ir izslēgts un akumulatora kasetne ir izņemta.

## Akumulatora kasetnes uzstādīšana un izņemšana

**⚠UZMANĪBU:** Vienmēr pirms akumulatora kasetnes uzstādīšanas vai noņemšanas izslēdziet darbarīku.

**⚠UZMANĪBU:** Uzstādot vai izņemot akumulatora kasetni, darbarīku un akumulatora kasetni turiet cieši. Ja darbarīku un akumulatora kasetni netur cieši, tie var izkrist no rokām un radīt bojājumus darbarīkam un akumulatora kasetnei, kā arī izraisīt ievainojumus.

- **Att.2:** 1. Sarkanās krāsas indikators 2. Poga 3. Akumulatora kasetne

Lai izņemtu akumulatora kasetni, izvelciet to no darbarīka, pārīdnot kasetnes priekšpusē esošo pogu.

Lai uzstādītu akumulatora kasetni, salāgojiet akumulatora kasetnes mēlīti ar rievu ietvarā un iebīdīet to vietā. Ievietojiet to līdz galam, līdz tā ar klikšķi nofiksējas. Ja redzams attēlā parādītais sarkanais krāsas indikators, tas nozīmē, ka tas nav pilnīgi nofiksēts.

**⚠UZMANĪBU:** Vienmēr ievietojiet akumulatora kasetni tā, lai sarkanais indikators nebūtu redzams. Pretējā gadījumā tā var nejausī izkrist no darbarīka un izraisīt jums vai apkārtnējiem traumas.

**⚠UZMANĪBU:** Neievietojiet akumulatora kasetni ar spēku. Ja kasetne neslīd ietvarā viegli, tā nav pareizi ielikta.

## Atlikušās akumulatora jaudas indikators

*Tikai akumulatora kasetnēm ar indikatoru*

- **Att.3:** 1. Indikatora lampas 2. Pārbaudes poga

Nospiediet akumulatora kasetnes pārbaudes pogu, lai pārbaudītu akumulatora atlikušo uzlādes līmeni. Indikatoru iedegsies uz dažām sekundēm.

Indikatora lampas		Atlikusī jauda
lededzies	Izslēgts	
		No 75% līdz 100%
		No 50% līdz 75%
		No 25% līdz 50%
		No 0% līdz 25%

**PIEZĪME:** Reālā jauda var nedaudz atšķirties no norādītās atkarībā no lietošanas apstākļiem un apkārtējās temperatūras.

## Darbarīka/akumulatora aizsardzības sistēma

Darbarīkam ir darbarīka/akumulatora aizsardzības sistēma. Šī sistēma automātiski izslēdz strāvas padevi motoram, lai pagarinātu darbarīka un akumulatora darbmūžu. Lietošanas laikā darbarīks automātiski pārstās darboties, ja darbarīku vai akumulatoru pakļaus kādam no šādiem apstākļiem.

**Pārslodze:**

Darbarīku ekspluatācijas laikā lieto tādā veidā, ka tam vajadzīgs pārmērīgi liels strāvas daudzums. Šādā gadījumā izslēdziet darbarīku un pārtrauciet darbību, kas izraisīja darbarīka pārslodzi. Pēc tam ieslēdziet darbarīku, lai atsāktu darbu.

Ja darbarīks neieslēdzas, akumulators ir pārkarsis.

Šādā gadījumā ļaujiet akumulatoram atdzist pirms atkārtotas darbarīka ieslēgšanas.

**Zema akumulatora jauda:**

Atlikusī akumulatora jauda ir pārāk zema, un darbarīks nedarbosies. Ja ieslēgsit darbarīku, motors vēlreiz sāks darboties, taču drīz apstāsies. Šādā gadījumā atvienojiet akumulatoru un uzlādējiet to.

## Slēdža darbība

**⚠BRĪDINĀJUMS:** Pirms akumulatora kasetnes uzstādīšanas darbarīkā vienmēr pārbaudiet, vai slēdža mēlīte darbojas pareizi un pēc atļaišanas atgriežas stāvoklī „OFF” (Izslēgts).

**⚠BRĪDINĀJUMS:** Jūsu drošības nolūkos šis darbarīks ir aprīkots ar atbloķēšanas pogu, kas neļauj darbarīku nejausī iedarbināt. Nekad nelietojiet darbarīku, ja tas ieslēdzas, pavelkot slēdža mēlīti un nespiežot atbloķēšanas pogu. Dodieties uz vietējo Makīta apkopes centru, lai veiktu remontu.

**⚠BRĪDINĀJUMS:** Bloķēšanas funkciju nekādā gadījumā nedrīkst atspējot; nedrīkst ar līmlenti pielīmēt atbloķēšanas pogu nospiegtā pozīcijā.

**IEVĒRĪBA!** Nevelciet slēdža mēlīti ar spēku, nespiežot atbloķēšanas pogu. Slēdzis var salūzt.

- **Att.4:** 1. Atbloķēšanas poga 2. Slēdža mēlīte

Lai novērstu nejausī slēdža mēlītes piespiešanu, darbarīks ir aprīkots ar bloķēšanas pogu.

Lai ieslēgtu darbarīku, nospiediet atbloķēšanas pogu un pavelciet slēdža mēlīti. Lai apturētu darbarīku, atlaidiet slēdža mēlīti. Atbloķēšanas pogu var nospiegt gan no labās, gan kreisās puses.

## Zāģēšanas lenķa pielāgošana

**⚠UZMANĪBU:** Vienmēr, pirms nolokāt vai atlokāt darbarīka galvu, pārliecinieties, ka darbarīks ir izslēgts.

**⚠UZMANĪBU:** Pirms nolokāt galvu pārnēsāšanai vai pēc darbarīka lietošanas, uzlieciet asmens aizsargu.

**⚠UZMANĪBU:** Nolokot galvu, uzmanieties, lai nespiestu pirkstus starp galvu un darbarīka korpusu.

Galvas leņķi var pielāgot 10 pakāpēs. Lai mainītu galvas leņķi, veiciet tālāk aprakstītās darbības.

1. Turiet darbarīka galvu un korpusu, kā parādīts attēlā.  
▶ **Att.5:** 1. Galva 2. Leņķa regulēšanas poga
2. Turot nospiegt leņķa regulēšanas pogu, pielāgojiet darbarīka galvas leņķi, pēc tam atlaidiet leņķa regulēšanas pogu.
3. Viegli pakustiniet galvu, līdz tā nofiksējas ar klikšķi.

**PIEZĪME:** Pirms darbarīka lietošanas pārlicinieties, ka galva ir nofiksēta vietā.

## Caurules garuma regulēšana

**UZMANĪBU:** Pirms regulējat caurules garumu, vienmēr pārlicinieties, ka darbarīks ir izslēgts.

**UZMANĪBU:** Pirms regulējat caurules garumu, obligāti uzstādiet asmens apvalku.

**UZMANĪBU:** Regulējot caurules garumu, raugieties, lai neiespiestu pirkstus.

**UZMANĪBU:** Pārlicinieties, ka bloķēšanas svira ir kārtīgi nofiksēta.

**UZMANĪBU:** Regulējot caurules garumu, nolieciet darbarīku horizontāli. Novietojot to vertikāli, darbarīka galva strauji nokritīs, tāpēc var rasties traumas.

Atbrīvojiet bloķēšanas sviru, noregulējiet caurules garumu un tad nobloķējiet bloķēšanas sviru.

▶ **Att.6:** 1. Bloķēšanas svira

## Priekšējā roktura pozīcijas regulēšana

**UZMANĪBU:** Pirms regulējat priekšējā roktura pozīciju, obligāti pārlicinieties, ka darbarīks ir izslēgts.

**UZMANĪBU:** Regulējot priekšējā roktura pozīciju, raugieties, lai neiespiestu pirkstus.

**UZMANĪBU:** Gādājiet, lai spārnuzgrieznis būtu kārtīgi pievilkts.

**UZMANĪBU:** Nevirziet priekšējo rokturi tālāk par bultiņas atzīmi.

Lai noregulētu priekšējā roktura pozīciju, atskrūvējiet spārnuzgriezni, griežot to pretēji pulkstenrādītāju kustības virzienam, tad pielāgojiet priekšējā roktura pozīciju un pievelciet spārnuzgriezni, griežot to pulkstenrādītāju kustības virzienā.

▶ **Att.7:** 1. Spārnuzgrieznis 2. Bultiņas atzīme

## MONTĀŽA

**UZMANĪBU:** Pirms darbarīka regulēšanas vai apkopes vienmēr pārlicinieties, ka darbarīks ir izslēgts un akumulatora kasetne ir izņemta.

**UZMANĪBU:** Mainot šķēru asmeņus, vienmēr uzvelciet cimdus, lai rokām nebūtu tiešas saskares ar asmeņiem.

## Šķēru asmeņu uzstādīšana vai noņemšana

**UZMANĪBU:** Pirms šķēru asmeņu noņemšanas vai uzstādīšanas uzstādiet asmeņu apvalku.

**IEVĒRĪBAI:** Šķēru asmeņu nomainīšanas gadījumā nenošļaukiet smērvielu no pārvaldmehānisma un palaišanas kloķa.

**PIEZĪME:** Pirms šķēru asmeņu uzstādīšanas vai noņemšanas atloķiet darbarīka galvu, lai tā būtu vienā līnijā ar darbarīka korpusu.

1. Novietojiet darbarīku otrādi.
2. Ar skrūvgriezi atskrūvējiet 4 skrūves un noņemiet šķēru asmeņus.  
▶ **Att.8:** 1. Skrūve
3. No šķēru asmeņiem izņemiet palaišanas kloķi.  
▶ **Att.9:** 1. Palaišanas kloķis

**PIEZĪME:** Palaišanas kloķis var palikt darbarīkā.

4. Sagatavojiet kloķi un jaunus šķēru asmeņus.  
▶ **Att.10:** 1. Palaišanas kloķis 2. Šķēru asmeņi
5. Noņemiet asmens apvalku un uzlieciet to jauna-jiem šķēru asmeņiem.
6. Uzklājiet zonā ap palaišanas kloķi nelielu smērvielas daudzumu. Secīgi uzstādiet tapai paplāksni, zobratu un kloķi.  
▶ **Att.11:** 1. Palaišanas kloķis 2. Zobrats 3. Paplāksne 4. Tapa
7. Noregulējiet kloķi tā, lai 2 kloķa mazās atveres būtu salāgotas ar savietošanas līniju, kā parādīts attēlā.  
▶ **Att.12:** 1. Savietošanas līnija 2. Mazā atvere
8. Pārbīdīet šķēru asmeņus, lai atvere uz vadplāksnes atrastos asmeņu gredzenu centrā.  
▶ **Att.13:** 1. Vadplāksne
9. Caur asmens apvalku atveri ievietojiet 2. darbībā izskrūvēto skrūvi šķēru asmeņu atverē.  
▶ **Att.14:** 1. Atvere
10. Uzstādiet darbarīkam šķēru asmeņus, tad ar skrūvgriezi pievelciet 3 skrūves.  
▶ **Att.15:** 1. Skrūve
11. Izskrūvējiet 9. darbībā šķēru asmeņu atverē ieskrūvēto skrūvi un tad pievelciet to, lai nofiksētu šķēru asmeņus.

**IEVĒRĪBAI:** Ja šķēru asmeņi nedarbojas pareizi, asmeņi nepareizi saslēdzas ar palaišanas kloķi. Noņemiet un vēlreiz uzstādiet asmeņus.

**IEVĒRĪBAI:** Ja ir nolietojušās detaļas, kas nav šķēru asmeņi, piemēram, kloķis, vērsieties Makita pilnvarotos apkopes centros, lai iegūtu rezerves daļas vai veiktu remontu.

## Atgriezumu savācēja uzstādīšana vai noņemšana

### Papildpiezīdumi

**UZMANĪBU:** Uzliekot vai noņemot atgriezumu savācēju, vienmēr uzvelciet cimdus, lai rokām nebūtu tiešas saskares ar šķēru asmeņiem.

**UZMANĪBU:** Pirms atgriezumu savācēja pievienošanas vai noņemšanas uzstādiet asmens apvalku.

Atgriezumu savācējā tiek savāktas apgrieztās lapas, un pēc tam ir daudz vieglāk sakopt darba vietu. To var uzstādīt jebkurā darbarīka pusē.

1. Savietojiet atgriezumu savācēja atveres ar šķēru asmeņu uzgriežņiem.  
► **Att.16:** 1. Uzgrieznis

2. Piestipriniet atgriezumu savācēja fiksatorus šķēru asmeņu rievā.  
► **Att.17:** 1. Fiksators 2. Rieva

3. Nospiediet atgriezumu savācēja sviras, tad pie-  
stipriniet fiksatorus otrā pusē šķēru asmeņu rievā.  
► **Att.18:** 1. Svira

Lai atvienotu atgriezumu savācēju, nospiediet sviras, tadējādi atlaižot fiksatorus.

► **Att.19:** 1. Svira

**IEVĒRĪBAI:** Nemēģiniet noņemt atgriezumu savācēju ar pārmērīgu spēku, ja tā fiksatori ir nofiksēti šķēru asmeņu rievās.

## EKSPLUATĀCIJA

### Darbarīka lietošana

**▲BRĪDINĀJUMS:** Neizmantojiet darbarīku elektrolīnijas tuvumā. Lietošana elektrolīnijas tuvumā vai nonākšana saskarē ar to var izraisīt nopietnu savainojumu risku vai nāvi elektrotraumas rezultātā.

**▲BRĪDINĀJUMS:** Nelieciet rokas šķēru asmeņu tuvumā.

**▲BRĪDINĀJUMS:** Vienmēr īpaši sekojiet, lai nodrošinātu darbarīka vadību. Neļaujiet darbarīkam atlēkt savā vai citu cilvēku virzienā darba vietas tuvumā. Ja zaudē kontroli pār darbarīku, smagas traumas var gūt gan operators, gan cilvēki tuvumā.

**▲UZMANĪBU:** Pēc iespējas nelietojiet darbarīku ļoti karstā laikā. Lietojot darbarīku, ņemiet vērā savu fizisko stāvokli.

**▲UZMANĪBU:** Griešanas laikā uzmanieties, lai nejausi nesaskartos ar metāla sētu vai citiem cietiem priekšmetiem. Šķēru asmeņi var salūzt un izraisīt nopietnus savainojumus.

**▲UZMANĪBU:** Uzmanieties, lai šķēru asmeņi nesaskartos ar zemi. Darbarīks var atsisties un radīt nopietnus savainojumus.

**▲UZMANĪBU:** Stiešanās pāri kaut kam ar dzīvžogu apgriežējmašīnu, it īpaši no pieslienamajām kāpnēm, ir ļoti bīstama. Neveiciet darbu, stāvēt uz nestabiliem un neizturīgiem objektiem.

**IEVĒRĪBAI:** Ar šo darbarīku nemēģiniet nogriezt zarus, kuru diametrs pārsniedz 10 mm. Pirms darbarīka izmantošanas vispirms ar zaru šķērēm nogrieziet zarus 10 cm zemāk nekā griešanas augstums.

► **Att.20:** (1) Griešanas augstums (2) 10 cm

**IEVĒRĪBAI:** Negrieziet nokaltušus kokus vai līdzīgus cietus priekšmetus. Tādējādi varat sabojāt darbarīku.

**IEVĒRĪBAI:** Ar šķēru asmeņiem negrieziet zāli vai nezāles. Šķēru asmeņi var sapīties zālē vai nezālēs.

Turiet darbarīku ar abām rokām, satverot priekšējo rokturi un aizmugures rokturi.

► **Att.21:** 1. Priekšējais rokturis 2. Aizmugures rokturis

Turot nospiestu atbloķēšanas pogu, pavelciet slēdža mēlīti un tad pārvietojiet darbarīku uz priekšu.

► **Att.22**

Pamata darbībai sasveriet šķēru asmeņus griešanas virzienā un lēnām un mierīgi pārvietojiet tos ar ātrumu no 3 līdz 4 sekundēm metrā.

► **Att.23**

Lai līdzeni apgrieztu dzīvžoga sānu daļu, grieziet no apakšas uz augšu.

► **Att.24**

Ja griežat, lai izveidotu apaļu formu (apgriežot bukšus, rododendrus u. c.), grieziet no saknēm līdz galotnei, veidojot pabeigtu formu.

► **Att.25**

Ja pie šķēru asmeņiem ir nostiprināts atgriezumu savācējs, tas savāc apgrieztās lapas, un pēc tam ir daudz vieglāk sakopt darba vietu.

► **Att.26**

## APKOPE

**▲UZMANĪBU:** Pirms darbarīka pārbaudes vai apkopes vienmēr pārlicinieties, ka darbarīks ir izslēgts un akumulatora kasetne ir izņemta.

**▲UZMANĪBU:** Pirms darbarīka pārbaudes vai apkopes vienmēr nolieciet to. Darbarīka salikšana vai regulēšana stateniskā stāvoklī var radīt smagus savainojumus.

Lai saglabātu izstrādājuma DROŠU un UZTICAMU darbību, remontdarbus, apkopi un regulēšanu uzticiet veikt tikai Makita pilnvarotam vai rūpnīcas apkopes centram, un vienmēr izmantojiet tikai Makita rezerves daļas.

### Darbarīka tīrīšana

Tīriet darbarīku, noslaukot putekļus ar sausu drānu vai drānu, kas samērcēta ziepjūdenī un izgriezta.

**IEVĒRĪBAI:** Nekad neizmantojiet gazoļīnu, benzīnu, atšķaidītāju, spirtu vai līdzīgus šķidrumus. Tas var radīt izbalēšanu, deformāciju vai plaisas.

### Šķēru asmens tehniskā apkope

Pirms ekspluatācijas vai reizi stundā ekspluatācijas laikā uzklājiet uz šķēru asmeņiem zemas viskozitātes eļļu (mašīneļļu vai izsmidzināmu smēreļļu).

► **Att.27**

Pēc darba no abām šķēru asmeņu pusēm notīriet putekļus, izmantojot stieplu suku, noslaukiet ar drānu un pēc tam uzklājiet uz šķēru asmeņiem zemas viskozitātes eļļu (mašīneļļu vai izsmidzināmu smēreļļu).

► **Att.28**



**IEVĒRĪBAI:** Nemažgājiet šķēru asmeņus ar ūdeni. Šis norādes neievērošana var izraisīt rūsū vai darbarīka bojājumus.

**IEVĒRĪBAI:** Netīrumi un korozija izraisa pastiprinātu asmeņu berzi un saīsina darbības laiku ar vienu akumulatora uzlādi.

## Glabāšana

Uzlieciet asmeņu apvalku uz šķēru asmeņiem tā, lai asmeņi nebūtu redzami. Darbarīku glabājiet bērniem nepieejamā vietā. Darbarīku glabājiet tādā vietā, kas pasargāta no mitruma un lietus.

## PROBLĒMU NOVĒRŠANA

Pirms nodošanas remontā vispirms veiciet pārbaudi pats. Ja konstatējat kļūmi, kas nav aprakstīta rokasgrāmatā, nemēģiniet darbarīku izjaukt. Dodieties uz Makita pilnvarotū apkopes centru un remontam vienmēr izmantojiet tikai Makita rezerves daļas.

Neatbilstošas darbības stāvoklis	Iespējamais iemesls (kļūme)	Risinājums
Motors nedarbojas.	Nav ievietota akumulatora kasetne.	Ievietojiet akumulatora kasetni.
	Akumulatora kļūme (zems spriegums)	Uzlādējiet akumulatoru. Ja uzlāde neizdodas, nomainiet akumulatoru.
	Piedziņas sistēma nedarbojas pareizi.	Dodieties to remontēt vietējā pilnvarotā apkopes centrā.
Pēc neilgas darbināšanas motors izslēdzas, vai arī motors neieslēdzas.	Akumulatora uzlādes līmenis ir par zemu.	Uzlādējiet akumulatoru. Ja uzlāde neizdodas, nomainiet akumulatoru.
	Darbarīks pārkaršis.	Apturiet darbarīku, lai tas atdzistu.
Darbarīks nesasniedz maksimālo apgriezīgu skaitu minūtē.	Nepareizi ievietota akumulatora kasetne.	Uzstādiet akumulatora kasetni, kā aprakstīts šajā rokasgrāmatā.
	Samazinās akumulatora jauda.	Uzlādējiet akumulatoru. Ja uzlāde neizdodas, nomainiet akumulatoru.
	Piedziņas sistēma nedarbojas pareizi.	Dodieties to remontēt vietējā pilnvarotā apkopes centrā.
Šķēru asmeņi nekustas: ⇒ nekavējoties apturiet mašīnu!	Nepareizs šķēru asmeņu leņķis.	Pārliecinieties, vai galva ir cieši nostiprināta darba stāvoklī.
	Starp šķēru asmeņiem iesprūduši svešķermeņi.	Izslēdziet darbarīku un izņemiet akumulatora kasetni; tad ar instrumentiem, piemēram, knaiblēm, izņemiet ieķērušos zarus vai netīrumus.
	Piedziņas sistēma nedarbojas pareizi.	Dodieties to remontēt vietējā pilnvarotā apkopes centrā.
Pārmērīga vibrācija: ⇒ nekavējoties apturiet mašīnu!	Šķēru asmeņi ir salūzuši, saliekti vai nodiluši.	Nomainiet šķēru asmeņus.
	Piedziņas sistēma nedarbojas pareizi.	Dodieties to remontēt vietējā pilnvarotā apkopes centrā.
Šķēru asmeņus un motoru nevar apturēt: ⇒ nekavējoties izņemiet akumulatoru!	Elektriska kļūme.	Izņemiet akumulatoru un sazinieties ar vietējo pilnvaroto apkopes centru, lai vienos par remontu.

## PAPILDU PIEDERUMI

**⚠UZMANĪBU:** Šādi piederumi un papildierīces tiek ieteiktas lietošanai ar šajā rokasgrāmatā aprakstīto Makita darbarīku. Izmantojot citus piederumus vai papildierīces, var tikt radīta trauma gūšanas bīstamība. Piederumu vai papildierīci izmantojiet tikai paredzētajam mērķim.

Ja jums vajadzīga palīdzība vai precīzāka informācija par šiem piederumiem, vērsieties savā tuvākajā Makita apkopes centrā.

- Šķēru asmens mezgls
- Atgriezumū savācējs

- Smērvielas trauks
- Makita oriģinālais akumulators un lādētājs

**PIEZĪME:** Daži sarakstā norādītie izstrādājumi var būt iekļauti instrumenta komplektācijā kā standarta piederumi. Tie dažādās valstīs var būt atšķirīgi.



## SPECIFIKACIJOS

Modelis:	UN460WD
Ašmenų ilgis	460 mm
Smūgių per minutę	3 600 min <sup>-1</sup>
Pjovimo peilių kampas	135° (aukštyn 60°, žemyn 75°)
Bendras ilgis	1 889–2 511 mm
Vardinė įtampa	Nuol. sr. maks. 10,8–12 V
Grynasis svoris	2,8–3,0 kg

- Atliekame tęsinius tyrimus ir nuolatos tobuliname savo gaminius, todėl čia pateikiamos specifikacijos gali būti keičiamos be įspėjimo.
- Skirtingose šalyse specifikacijos gali skirtis.
- Svoris gali priklausyti nuo priedo (-ų), įskaitant akumulatoriaus kasetę. Lengviausias ir sunkiausias deriniai pagal EPTA 2014 m. sausio mėn. procedūrą yra parodyti lentelėje.

## Tinkama akumulatoriaus kasetė ir (arba) įkroviklis







Akumulatoriaus kasetė	BL1016 / BL1021B / BL1041B
Įkroviklis	DC10SA / DC10SB / DC10WC / DC10WD / DC18RE

- Atsižvelgiant į gyvenamosios vietos regioną, kai kurios pirmiau nurodytos akumulatoriaus kasetės ir įkrovikliai gali būti neprieinami.

**ĮSPĖJIMAS:** Naudokite tik akumulatoriaus kasetes ir įkroviklius, kurie nurodyti anksčiau. Naudojant bet kurias kitas akumulatoriaus kasetes ir įkroviklius, gali kilti sužeidimo ir gaisro pavojus.

## Simboliai

Toliau yra nurodyti simboliai, kurie gali būti naudojami įrangai. Prieš naudodami įsitikinkite, kad suprantate jų reikšmę.

	Perskaitykite instrukcijų vadovą.
	Saugokite nuo drėgmės.
	Naudokite šalną, apsauginius akinius ir klausos apsaugines priemones.
	PAVOJUS. Laikykite rankas atokiau nuo peilio.
	Saugokitės elektros linijų, elektros smūgio pavojus.
	Atstumas turi būti bent 15 m.



Taikoma tik ES šalims  
Kadangi įrangoje yra pavojingų komponentų, panaudota elektrinė ir elektroninė įranga, akumulatoriai ir baterijos gali turėti neigiamo poveikio aplinkai ir žmonių sveikatai.

Nešalinkite elektros ir elektroninių prietaisų ar baterijų kartu su buitinėmis atliekomis! Pagal Europos direktyvą dėl elektros ir elektroninės įrangos atliekų bei akumuliatorių ir baterijų ir panaudotų akumuliatorių ir baterijų bei jos pritaikymą nacionaliniams įstatymams, panaudota elektros ir elektroninė įranga, baterijos ir akumulatoriai turi būti surenkami atskirai ir pristatomi į atskirą buitinių atliekų surinkimo punktą, kuris veikia pagal aplinkos apsaugos taisykles. Tai rodo perbrauktas konteinerio ant ratukų simbolis, pateiktas ant įrangos.



Garantuojamas garso galios lygis pagal ES lauko triukšmo direktyvą.



Garso galios lygis pagal Australijos NSW triukšmo kontrolės reglamentą

## Numatytoji naudojimo paskirtis

Šis įrankis skirtas gyvatvorėms kirpti.

## Triukšmas

Įprastas triukšmo A lygis, nustatytas pagal EN62841-4-2:

Garso slėgio lygis ( $L_{pA}$ ): 74 dB (A)

Paklaida (K): 3 dB (A)

Dirbant triukšmo lygis gali viršyti 80 dB (A).

**PASTABA:** Paskelbta (-os) triukšmo reikšmė (-ės) nustatyta (-os) pagal standartinį testavimo metodą ir jį galima naudoti vienam įrankiui palyginti su kitu.

**PASTABA:** Paskelbta (-os) triukšmo reikšmė (-ės) taip pat gali būti naudojama (-os) norint preliminariai įvertinti triukšmo poveikį.

**⚠️ JSPĖJIMAS:** Dėvėkite ausų apsaugą.

**⚠️ JSPĖJIMAS:** Faktiškai naudojant elektrinį įrankį, keliamo triukšmo dydis gali skirtis nuo paskelbtos (-ų) reikšmės (-ių), priklausomai nuo būdų, kuriais yra naudojamas šis įrankis, ir ypač nuo to, kokio tipo ruošinys apdirbamas.

**⚠️ JSPĖJIMAS:** Siekdami apsaugoti operatorių, būtina įvertinkite saugos priemones, remdamiesi vibracijos poveikio įvertinimu esant faktinėms naudojimui sąlygoms (atsižvelgdami į visas darbo ciklo dalis, pavyzdžiui, ne tik kiek laiko įrankis veikia, bet ir kiek kartų jis yra išjungiamas bei kai jis veikia be apkravų).

## Vibracija

Taikomas standartas : EN62841-4-2

Kairioji ranka (priešinė rankena)		Dešinioji ranka (galinė rankena)	
$a_h$ ( $m/s^2$ )	Paklaida K ( $m/s^2$ )	$a_h$ ( $m/s^2$ )	Paklaida K ( $m/s^2$ )
2,5 $m/s^2$ arba mažiau	1,5	2,5 $m/s^2$ arba mažiau	1,5

**PASTABA:** Paskelbta (-os) vibracijos bendroji (-osios) reikšmė (-ės) nustatyta (-os) pagal standartinį testavimo metodą ir jį galima naudoti vienam įrankiui palyginti su kitu.

**PASTABA:** Paskelbta (-os) vibracijos bendroji (-osios) reikšmė (-ės) taip pat gali būti naudojama (-os) norint preliminariai įvertinti vibracijos poveikį.

**⚠️ JSPĖJIMAS:** Faktiškai naudojant elektrinį įrankį, keliamos vibracijos dydis gali skirtis nuo paskelbtos (-ų) reikšmės (-ių), priklausomai nuo būdų, kuriais yra naudojamos šis įrankis, ir ypač nuo to, kokio tipo ruošinys apdirbamas.

**⚠️ JSPĖJIMAS:** Siekdami apsaugoti operatorių, būtina įvertinkite saugos priemones, remdamiesi vibracijos poveikio įvertinimu esant faktinėms naudojimui sąlygoms (atsižvelgdami į visas darbo ciklo dalis, pavyzdžiui, ne tik kiek laiko įrankis veikia, bet ir kiek kartų jis yra išjungiamas bei kai jis veikia be apkravų).

## EB atitikties deklaracija

*Tik Europos šalis*

EB atitikties deklaracija yra pridedama kaip šio instrukcijos vadovo A priedas.

## SAUGOS ĮSPĖJIMAI

### Bendrieji įspėjimai dirbant elektriniais įrankiais

**⚠️ JSPĖJIMAS:** Perskaitykite visus saugos įspėjimus, instrukcijas, iliustracijas ir techninius duomenis, pateiktus kartu su šiuo elektriniu įrankiu. Nesilaikant visų toliau išvardytų instrukcijų galima patirti elektros smūgį, gali kilti gaisras ir (arba) galima sunkiai susižaloti.

### Išsaugokite visus įspėjimus ir instrukcijas, kad galėtumėte jas peržiūrėti ateityje.

Terminas „elektrinis įrankis“ pateiktuose įspėjimuose reiškia į maitinimo tinklą jungiamą (laidinį) elektrinį įrankį arba akumuliatoriaus maitinamą (belaidį) elektrinį įrankį.

### Saugos įspėjimai dėl akumuliatorinių vamzdinių gyvatvorių žirklių naudojimo

- 1. Visas kūno dalis laikykite toliau nuo peilių.** Nebandykite šalinti nuopjovų ar laikyti pjauamos dalies peiliams judant. Išjungus jungiklį, peiliai vis dar juda. Dirbant gyvatvorės žirkleimis užtenka vienos neatidumo akimirkos ir galima rimtai susižaloti.
- 2. Gyvatvorės žirkles neškite už rankenos, peiliams esant sustabdytiems, ir būkite atsargūs, kad neįjungtumėte jokio maitinimo jungiklio.** Tinkamai nešdami gyvatvorės žirkles, sumažinsite netyčinio įjungimo pavojų ir dėl to kylančių susižalojimo peiliais pavojų.
- 3. Transportuodami ar sandėliuodami gyvatvorės žirkles, visada uždėkite peilių gaubtą.** Tinkamai elgdamiesi su gyvatvorės žirkleimis, sumažinsite susižalojimo peiliais pavojų.
- 4. Šalinami įstrigusias medžiagas arba atlikdami įtaiso techninę priežiūrą, įsitinkinkite, kad visi maitinimo mygtukai išjungti, o akumuliatorius išimtas arba atjungtas.** Netyčia įjungus gyvatvorės žirkles, kol šalinamos įstrigusios medžiagos arba atliekama techninė priežiūra, galima sunkiai susižaloti.

5. **Laikykite gyvatvorės žirkles tik už izoliuotų laikyti skirtų paviršių, nes peiliai gali užkliudyti nematomus laidus.** Peiliams užkliudžius laidą, kuriuo teka srovė, įtampa gali būti perduota neizoliuotoms metalinėms gyvatvorės žirklių dalims ir operatorius gali patirti elektros smūgį.
6. **Visus maitinimo laidus ir kabelius laikykite atokiai nuo pjovimo srities.** Gyvatvorėse ar krūmuose gali būti paslėptų maitinimo laidų ar kabelių, kuriuos galima netyčia nupjauti peiliais.
7. **Nenaudokite gyvatvorės žirklių esant blogam orui, ypač kai gali žaibuoti.** Taip sumažinsite žaibo nutrenkimo pavojų.
8. **Kad sumažintumėte elektros smūgio pavojų, niekada nenaudokite vamzdinių gyvatvorės žirklių šalia jokių elektros maitinimo linijų.** Kludžius maitinimo linijas arba naudojant gaminį šalia jų, galima sunkiai susižaloti arba patirti elektros smūgį ir mirti.
9. **Naudodami vamzines gyvatvorės žirkles, visada dirbkite abiem rankomis.** Vamzines gyvatvorės žirkles laikykite abiem rankomis, kad neprarastumėte kontrolės.
10. **Kai vamzdinėmis gyvatvorės žirklemis dirbate jas iškėlę virš galvos, visada naudokite apsauginį šalimą.** Krintant nuolaužoms, galima sunkiai susižaloti.
10. **Venkite pavojingos aplinkos. Nenaudokite šio įrankio drėgnoje arba šlapioje vietoje; saugokite jį nuo lietaus.** Į šį įrankį patekęs vanduo padidina elektros smūgio pavojų.

#### Asmeninės apsaugos priemonės

1. **Darbinės storos odos pirštinės yra viena pagrindinių gyvatvorės žirklių įrangos dalių ir jas reikia mūvėti viso darbo gyvatvorės žirklemis metu.** Taip pat avėkite tvirtus batus neslystančiais padais.
2. **Užsidėkite ausų apsaugas, pvz., ausines, apsaugančias klausą.**
3. **Užsidėkite apsauginius akinius, šalmą ir apsaugines pirštines, kad apsaugotumėte nuo skrendančių nuolaužų arba krentančių objektų.**
4. **Liesdami peilius arba reguliuodami jų kampa, mūvėkite apsaugines pirštines.** Peiliai gali stipriai įpjauti neapsaugotas rankų vietas.

#### Naudojimas

1. **Įrankiu visada dirbkite abiem rankomis.** Laikydami viena ranka, galite prarasti kontrolę ir sunkiai susižaloti.
2. **Naudodami įrankį, visada įsitikinkite, kad darbinė padėtis yra saugi.** Ypač pavojinga užsimoti įrankiu pernelyg toli, ypač būnant ant kopėčių. Nedirbkite stovėdami ant netviro ar svyruojančio pagrindo.
3. **Dirbdami įrankiu, vienu metu nenaudokite kelių juosmens ir (arba) perptinių diržų.**
4. **Darbo metu aplinkiniai asmenys arba gyvūnai turi būti ne mažesniu kaip 15 m atstumu iki įrankio.** Kam nors artėjant išjunkite įrankį.
5. **Jei pjovimo įrankis atsitrenkia į kokį nors objektą arba ima skeistis neįprastą triukšmą ar vibruoti, nedelsdami išjunkite jį ir išimkite akumulatoriaus kasetę bei palaukite, kol jis sustos.** Tada atlikite toliau nurodytus veiksmus:
  - patikrinkite, ar nėra gedimo;
  - patikrinkite, ar nėra atsilaisvinsusių dalių, ir jas priveržkite;
  - pažeistas dalis pakeiskite arba suremontuokite naudodami originalias atsargines dalis.
6. **Įrankį naudokite tik pagal numatytąją paskirtį. Nenaudokite jo jokiam kitam tikslui.**
7. **Išjunkite įrankį ir išimkite akumulatoriaus kasetę prieš:**
  - valydami arba šalindami įstrigusius objektus;
  - tikrindami, atlikdami techninės priežiūros darbus arba dirbdami įrankiu;
  - reguliuodami darbinę žirklių peilių padėtį;
  - palikdami įrankį be priežiūros.
8. **Prieš įjungdami įrankį, įsitikinkite, kad jis yra nustatytas į tinkamą numatytą darbinę padėtį.**
9. **Nenaudokite įrankio su pažeistais arba pernelyg susidėvėjusiais žirklių peiliais.**
10. **Visada stebėkite savo aplinką ir saugokitės galimų pavojų, apie kuriuos galite nežinoti dėl įrankio skleidžiamo triukšmo.**

## Papildomi nurodymai dėl saugumo

### Pasiruošimas

1. **ŠIOMIS GYVATVORĖS ŽIRKLĖMIS GALIMA SUNKIAI SUSIŽALOTI.** Atidžiai perskaitykite instrukcijas dėl tinkamo įrankio naudojimo, paruošimo, priežiūros, įjungimo ir sustabdymo. Susipažinkite su visais valdikiškais ir išsiaiškinkite, kaip tinkamai naudoti įrankį.
2. **Prieš naudodami įrankį patikrinkite gyvatvoreds ir krūmus, ar nėra pašalinių medžiagų, pvz., vielinių tvorų ar užslėptų vielų.**
3. **Gyvatvorės žirklių neleidžiama naudoti vaikams ir asmenims, jaunesniems nei 18 metų.** Jauniems asmenims (bet vyresniems nei 16) gali būti taikoma išimtis, jei jie yra mokomi dirbti žirklemis, prižiūrint specialistui.
4. **Esant avarinei situacijai nedelsdami išjunkite įrankį ir išimkite akumulatoriaus kasetę.**
5. **PAVOJUS - Rankas laikykite kuo toliau nuo ašmenų.** Prilietę ašmenis galite sunkiai susižaloti.
6. **Pradedantieji naudotojai turi paprašyti patyrusių naudotojų parodyti, kaip naudoti įrankį.**
7. **Prieš darbą apžiūrėkite darbo zoną, ar joje nėra vielinių tvorų, akmenų ar kitų kietų objektų. Jie gali pažeisti peilius.**
8. **Naudokite gyvatvorės žirkles tik būdami geros fizinės būklės.** Jei esate pavargę, jūsų dėmesys bus sumažėjęs. Ypač atsargiai dirbkite darbo dienos pabaigoje. Visus darbus atlikite ramiai ir atidžiai. Vartotojas atsakingas už visą žalą, padarytą trečiajam šaliai.
9. **Prieš pradėdami darbą, įsitikinkite, kad žirkles yra geros, saugiam darbiui tinkamos būklės.** Įsitikinkite, kad apsaugos yra tinkamai pritvirtintos. Gyvatvorių žirkles galima naudoti tik visiškai sukomplektuotas.

11. Dirbdami saugokitės, kad netyčia neužkliudytumėte metalinės tvoros ar kitų kietų objektų. Peiliai nulūš ir jie gali sunkiai sužaloti.
12. Saugokitės, kad įrenginio neįjungtumėte netyčia. Neneškite įrankio su įdėta akumulatoriaus kasete ir laikydami pirštą ant jungiklio. Dėdami akumulatoriaus kasetę, įsitikinkite, kad jungiklis išjungtas.
13. Paimdami arba laikydami įrankį, neimkite už atvirų pjovimo ašmenų ar pjovimo briaunų.
14. Nespauskite įrankio jėga. Naudodami jį numatytu pajėgumu, darbą atlikite geriau ir sumažės tikimybė susižeisti.
15. Nenaudokite įrankio lietuje ir šlapiomis arba labai drėgnomis sąlygomis. Elektros variklis nėra atsparus vandeniui.
16. Darbo metu įrankį laikykite tvirtai.
17. Be reikalo nenaudokite įrankio be apkrovos.
18. Prieš tikrindami žirklių peilius, taisydami gedimus ar šalinami pašalinius objektus, įstrigusius tarp žirklių peilių, visada išjunkite įrankį ir išimkite akumulatoriaus kasetę.
19. Niekada nenukreipkite žirklių peilių į save ar kitus žmones.
20. Jei peiliai nustoja judėti dėl tarp jų darbo metu įstrigusių pašalinių medžiagų, išjunkite įrankį ir išimkite akumulatoriaus kasetę, tada įrankiu, pvz., replėmis, pašalinkite pašalines medžiagas. Ranka šalinant pašalines medžiagas galima susižaloti, kadangi peiliai, reaguodami į šalinamas pašalines medžiagas, gali pajudėti.

#### Elektros ir akumulatoriaus sauga

1. Venkite pavojingos aplinkos. Nenaudokite šio įrankio drėgnoje arba šlapioje vietoje, saugokite jį nuo lietaus. Į įrankį patekęs vanduo padidins elektros smūgio pavojų.
2. Nemeskite akumulatoriaus (-ių) į ugnį. Akumulatoriaus elementas gali sprogti. Pasitikrinkite, ar vietiniai įstatymai nenurodo specialaus išmetimo būdo.
3. Neatidarykite ir neardykite akumulatoriaus (-ių). Ištekėjęs elektrolitas yra ēsdinančioji medžiaga, kuri gali pažeisti akis ar odą. Nurytas jis gali apnuodyti.
4. Nenaudokite akumulatoriaus lyjant arba drėgnose vietose.
5. Nekraukite akumulatoriaus lauke.
6. Neimkite įkroviklio, įskaitant įkroviklio kištuką ir gnybtus, drėgnomis rankomis.

#### Techninė priežiūra ir laikymas

1. Kai įrankis sustabdomas, kad būtų atliekama jo techninė priežiūra, patikra arba ketinant jį laikyti, išjunkite įrankį ir išimkite akumulatoriaus kasetę bei įsitikinkite, kad visos judančios dalys sustojo. Prieš atlikdami bet kokias patikas, koregavimo veiksmus ir pan., palaukite, kol įrankis atvės.
2. Prieš padėdami įrankį į laikymo vietą, visada palaukite, kol jis atvės.
3. Kai įrankio nenaudojate, uždėkite peilių gaubtą ir laikykite įrankį sausoje, rakinamoje patalpoje aukštai padėta, kad jo nepasiektų vaikai.

4. Tinkamai prižiūrėkite įrankį. Norėdami pasiekti geriausių rezultatų ir sumažinti susižalojimo pavojų, pasirūpinkite, kad pjovimo briauna būtų aštri ir švari. Laikykites instrukcijų dėl tepimo ir priedų keitimo. Rankenos turi būti sausas, švarios ir neišteptos tepalu.
5. Patikrinkite pažeistas dalis. Prieš toliau naudodami įrankį, atidžiai patikrinkite visas pažeistas dalis, kad galėtumėte nuspręsti, ar jos tinkamai veiks ir gerai atliks savo funkcijas. Patikrinkite, ar tinkamai sulygiuotos ir suveržtos judančios dalys, ar nėra sulūžusių dalių, ar dalys tinkamai sumontuotos, ir kitas sąlygas, kurios gali turėti įtakos įrankio veikimui. Pažeistą apsauginį įtaisą ar kitą dalį reikia tinkamai pataisyti arba pakeisti įgaliojajame techninės priežiūros centre.
6. Naudokite tik originalias atsargines dalis.
7. Pernešdami įrankį į kitą vietą, taip pat ir darbo metu, visada išimkite akumulatoriaus kasetę ir ant žirklių peilių uždėkite peilių gaubtą. Niekada neneškite ir netransportuokite įrankio peiliais veikiant. Niekada neimkite už peilių rankomis.
8. Panaudoję įrankį ir prieš ketindami sandėliuoti jį ilgesnį laikotarpį, nuvalykite jį, ypač žirklių peilius. Žirklių peilius šiek tiek patepkite alyva ir uždėkite peilių gaubtą.
9. Nemeskite akumulatoriaus (-ių) į ugnį. Akumulatoriaus elementas gali sprogti. Pasitikrinkite, ar vietiniai įstatymai neaprašo specialaus išmetimo būdo.
10. Neatidarykite ir neardykite akumulatoriaus (-ių). Ištekėjęs elektrolitas yra ēdančioji medžiaga, kuri gali pažeisti akis ar odą. Nurytas jis gali apnuodyti.
11. Nenaudokite akumulatoriaus lyjant arba drėgnose vietose.

## SAUGOKITE ŠIAS INSTRUKCIJAS.

**⚠️ ĮSPĖJIMAS:** NELEISKITE, kad patogumas ir gaminio pažinimas (įgyjamas pakartotinai naudojant) susilpnintų griežtą saugos taisyklių, taikytinų šiam gaminiui, laikymąsi. Dėl NETINKAMO NAUDOJIMO arba saugos taisyklių, kurios pateiktos šioje instrukcijoje, nesilaikymo galima rimtai susižeisti.

### Svarbios saugos instrukcijos, taikomos akumulatoriaus kasetei

1. Prieš naudodami akumulatoriaus kasetę, perskaitykite visas instrukcijas ir perspėjimus ant (1) akumulatorių įkroviklio, (2) akumulatorių ir (3) akumulatorių naudojančio gaminio.
2. Neardykite ir negadinkite akumulatoriaus kasetės. Dėl to ji gali užsidegti, per daug įkaisti arba sprogti.
3. Jei įrankio darbo laikas žymiai sutrumpėjo, nedelsdami nutraukite darbą su įrankiu. Tai gali kelti perkaitimo, nudegimų ar net sproginimo pavojų.

4. Jei elektrolitas pateko į akis, plaukite jas tyru vandeniu ir nedelsdami kreipkitės į gydytoją. Gali kilti regėjimo praradimo pavojus.
5. **Neužtrumpinkite akumulatoriaus kasetės:**
  - (1) Nelieskite kontaktų degiomis medžiagomis.
  - (2) Venkite laikyti akumulatoriaus kasetę kartu su kitais metaliniais daiktais, pavyzdžiui, vinimis, monetomis ir pan.
  - (3) Saugokite akumulatoriaus kasetę nuo vandens ir lietaus.

Trumpasis jungimas akumulatoriuje gali sukelti stiprią srovę, perkaitimą, galimus nudegimus ar net akumulatoriaus gedimą.
6. Nelaikykite ir nenaudokite įrankio ir akumulatoriaus kasetės vietose, kur temperatūra gali pasiekti ar viršyti 50 °C (122 °F).
7. Nedeginkite akumulatoriaus kasetės, net jei yra stipriai pažeista ar visiškai susidėvėjusi. Ugnyje akumulatoriaus kasetė gali sprogti.
8. Akumulatoriaus kasetės nekalkite, nepjaustykite ir nemėtykite ir taip pat į ją netrankykite kietu daiktu. Taip elgiantis, ji gali užsidedti, per daug įkaisti arba sprogti.
9. Nenaudokite pažeisto akumulatoriaus.
10. Įdėtoms ličio jonų akumulatoriams taikomi Pavojingų prekių teisės akto reikalavimai. Komercinis transportas, pvz., trečiųjų šalių, prekių vežimo atstovų, turi laikytis specialaus reikalavimo ant pakuotės ir ženklavimo. Norėdami paruošti siųstiną prekę, pasitarkite su pavojingų medžiagų specialistu. Be to, laikykitės galimai išsamesnių nacionalinių reglamentų. Užklijuokite juosta arba padenkite atvirus kontaktus ir supakuokite akumuliatorių taip, kad ji pakuo­ tėje nejudėtų.
11. Kai išmetate akumulatoriaus kasetę, išimkite ją iš įrankio ir išmeskite saugioje vietoje. Vadovaukitės vietos reglamentais dėl akumuliatorių išmetimo.
12. Baterijas naudokite tik su „Makita“ nurodytais gaminiais. Baterijas įdėjus į netinkamus gaminius gali kilti gaisras, gaminys pernelyg kaisti, kilti sproginimas arba pratekėti elektrolitas.
13. Jei įrankis bus ilgą laiką nenaudojamas, akumuliatorių būtina išimti iš įrankio.
14. Darbo metu ir po akumulatoriaus kasetė gali būti įkaitusi ir dėl to nudeginti. Imdami akumulatoriaus kasetes, būkite atsargūs.
15. Tuojau pat po naudojimo nelieskite įrankio gnybtų, nes jie gali būti įkaitę tiek, kad nudegins.
16. Neleiskite, kad į akumulatoriaus kasetės gnybtus, angas ir griovelius patektų drožlių, dulkių ar žemių. Dėl to įrankis ar akumulatoriaus kasetė gali imti prastai veikti ar sugesti.
17. Jeigu įrankis nėra pritaikytas naudoti šalia aukštos įtampos elektros linijų, akumulatoriaus kasetės nenaudokite šalia aukštos įtampos elektros linijų. Dėl to gali sutrikti įrankio ar akumulatoriaus kasetės veikimas arba jie gali sugesti.
18. Laikykite akumuliatorių vaikams nepasiekiamoje vietoje.

## SAUGOKITE ŠIAS INSTRUKCIJAS.

**▲ PERSPĖJIMAS:** Naudokite tik originalų „Makita“ akumuliatorių. Neoriginalaus „Makita“ arba pakeisto akumulatoriaus naudojimas gali nulemti gaisrą, asmens sužalojimą ir pažeidimą. Tai taip pat panaikina „Makita“ suteikiamą „Makita“ įrankio ir įkroviklio garantiją.

## Patarimai, ką daryti, kad akumuliatorius veiktų kuo ilgiau

1. Pakraukite akumulatoriaus kasetę prieš ją visiškai išsikraunant. Visuomet nustokite naudoti įrankį ir pakraukite akumulatoriaus kasetę, kai pastebite, kad įrankio galia sumažėjo.
2. Niekada nekraukite iki galo įkrautos akumulatoriaus kasetės. Perkraunant trumpėja akumulatoriaus eksploatacijos laikas.
3. Akumulatoriaus kasetę kraukite esant kambario temperatūrai 10 - 40 °C. Prieš pradėdami krauti, leiskite įkaitusiai akumulatoriaus kasetei atvėsti.
4. Kai akumulatoriaus kasetės nenaudojate, ją išimkite iš įrankio ar įkroviklio.

## DALIŲ APRAŠYMAS

► Pav.1

1	Galvutė	2	Kampo reguliavimo mygtukas	3	Fiksavimo svirtelė	4	Sparnuotoji veržlė
5	Priekinė rankena	6	Galinė rankena	7	Akumulatoriaus kasetė	8	Gaidukas
9	Užfiksavimo mygtukas	10	Žirklių peiliai	–	–	–	–

# VEIKIMO APRAŠYMAS

**⚠️ PERSPĖJIMAS:** Prieš pradėdami reguliuoti arba tikrinti įrankio veikimą, visuomet būtinai išjunkite įrankį ir išimkite akumulatoriaus kasetę.

## Akumulatoriaus kasetės uždėjimas ir nuėmimas

**⚠️ PERSPĖJIMAS:** Prieš įdėdami arba išimdami akumulatoriaus kasetę, visada išjunkite įrankį.

**⚠️ PERSPĖJIMAS:** Įdėdami arba išimdami akumulatoriaus kasetę, tvirtai laikykite įrankį ir akumulatoriaus kasetę. Jeigu įrankį ir akumulatoriaus kasetę laikysite netvirtai, jie gali išsllysti iš jūsų rankų, todėl įrankis ir akumulatoriaus kasetė gali būti sugadinti, o naudotojas sužalotas.

- **Pav.2:** 1. Raudonas sandariklis (indikatorius) 2. Mygtukas 3. Akumulatoriaus kasetė

Jei norite išimti akumulatoriaus kasetę, ištraukite ją iš įrankio, stumdami mygtuką, esantį kasetės priekyje.

Jei norite įdėti akumulatoriaus kasetę, ant akumulatoriaus kasetės esantį liežuvėlį sutapdinkite su korpuso esančiu grioveliu ir įstumkite į jai skirtą vietą. Įstatykite iki pat galo, kad spragtelėdama užsifikuotų. Jeigu matote raudoną sandariklį (indikatorių), kaip parodyta paveikslėlyje, ji nėra visiškai užfiksuota.

**⚠️ PERSPĖJIMAS:** Akumulatoriaus kasetę visada įkiškite iki galo, kol nebematysite raudono sandariklio (indikatoriaus) Priešingu atveju ji gali atsitiktinai iškristi iš įrankio ir sužeisti jus arba aplinkinius.

**⚠️ PERSPĖJIMAS:** Nekiškite akumulatoriaus kasetės į ją. Jeigu kasetė sunkiai lenda, ją kišate netinkamai.

## Likusios akumulatoriaus galios rodymas

**Tik akumulatoriaus kasetėms su indikatoriumi**

- **Pav.3:** 1. Indikatoriumų lemputės 2. Tikrinimo mygtukas

Paspauskite akumulatoriaus kasetės tikrinimo mygtuką, kad būtų rodoma likusi akumulatoriaus energija. Maždaug trims sekundėms užsidegs indikatoriumų lemputės.

Indikatoriumų lemputės		Likusi galia
Šviečia	Nešviečia	
■ ■ ■ ■	□	75% - 100%
■ ■ ■ □	□	50% - 75%
■ ■ □ □	□	25% - 50%
■ □ □ □	□	0% - 25%

**PASTABA:** Rodmuo gali šiek tiek skirtis nuo faktinės energijos lygio – tai priklauso nuo naudojimo sąlygų ir aplinkos temperatūros.

## Įrankio / akumulatoriaus apsaugos sistema

Įrankyje įrengta įrankio / akumulatoriaus apsaugos sistema. Ši sistema automatiškai atjungia variklio maitinimą, kad įrankis ir akumulatorius ilgiau veiktų. Įrankis automatiškai išsijungs darbo metu esant vienai iš toliau nurodytų įrankio arba akumulatoriaus darbo sąlygų:

### Perkrautas:

Įrankis naudojamas taip, kad jame neįprastai padidėja elektros srovė. Tokiu atveju išjunkite įrankį ir nutraukite darbą, dėl kurio kilo įrankio perkrova. Tada vėl įjunkite įrankį.

Jeigu įrankis neįsijungia, reiškia perkaito akumulatorius. Tokiu atveju palaukite, kol akumulatorius atvės, paskui vėl galite įjungti įrankį.

### Žema akumulatoriaus įtampa:

likusi akumulatoriaus galia per žema, todėl įrankis neveiks. Įjungus įrankį, variklis pradeda veikti, bet netrukus vėl išsijungia. Tokiu atveju išimkite akumulatorių ir jį įkraukite.

## Jungiklio veikimas

**⚠️ PERSPĖJIMAS:** Prieš montuodami akumulatoriaus kasetę įrankyje, visuomet patikrinkite, ar gaidukas tinkamai veikia ir atleistas grįžta į išjungimo padėtį „OFF“.

**⚠️ PERSPĖJIMAS:** Jūsų pačių saugumui šiame įrankyje įrengtas atlaisvinimo mygtukas, kuris neleidžia netyčia įjungti įrankio. Niekada nenaudokite įrankio, jei jis išsijungia nuspaudus gaiduką, tačiau nenuspaudus atlaisvinimo mygtuko. Dėl remonto kreipkitės į vietinį „Makita“ techninės priežiūros centrą.

**⚠️ PERSPĖJIMAS:** Niekada neišjunkite užfiksavimo funkcijos ir neužklijuokite lipnia juostele atlaisvinimo mygtuko.

**PASTABA:** Netraukite svirtinio gaiduko smarkiai, nenuspaudę atlaisvinimo mygtuko. Gaidukas gali nulūžti.

- **Pav.4:** 1. Užfiksavimo mygtukas 2. Gaidukas

Atlaisvinimo mygtukas neleidžia atsitiktinai paspausti gaiduko.

Jei norite įjungti įrankį, paspauskite atlaisvinimo mygtuką ir gaiduką. Norėdami įrankį išjungti, gaiduką atleiskite. Atlaisvinimo mygtuką galima nuspusti iš kairės arba dešinės pusės.

## Pjovimo kampo reguliavimas

**⚠️ PERSPĖJIMAS:** Prieš nulenkdami arba atlenkdami galvutę, visada įsitikinkite, kad įrenginys išjungtas.

**⚠️ PERSPĖJIMAS:** Prieš nulenkdami galvutę, kad galėtumėte nešti įrankį, arba jį panaudoję, būtinai uždėkite peilių gaubtą.

**⚠️ PERSPĖJIMAS:** Nulenkdami galvutę, būkite atsargūs, kad neprisipaustumėte pirštų tarp galvutės ir įrankio korpuso.



Galvutės kampa galima reguliuoti atliekant šiuos 10 veiksmų. Norėdami pakeisti galvutės kampa, atlikite toliau nurodytus veiksmus.

1. Laikykite galvutę ir įrankio korpusą, kaip pavaizduota paveikslėlyje.  
► **Pav.5:** 1. Galvutė 2. Kampo reguliavimo mygtukas
2. Laikydami kampo reguliavimo mygtuką paspausť, sureguliuokite galvutės kampa. Tai padarę, kampo reguliavimo mygtuką atleiskite.
3. Švelniai judinkite galvutę, kol ji spragtelėjusi užsifiksuos.

**PASTABA:** Prieš pradėdami dirbti įrankiu, įsitinkinkite, kad galvutė saugiai užfiksuota.

## Vamzdžio ilgio reguliavimas

▲ **PERSPĖJIMAS:** Prieš reguliuodami vamzdžio ilgį, visada įsitinkinkite, kad įrankis išjungtas.

▲ **PERSPĖJIMAS:** Kai reguliuojate vamzdžio ilgį, būtinai prieš reguliavimą pritvirtinkite peilio gaubtą.

▲ **PERSPĖJIMAS:** Reguliudami vamzdžio ilgį, būkite atsargūs, kad neprispaustumėte pirštų.

▲ **PERSPĖJIMAS:** Įsitinkinkite, kad fiksavimo svirtelė patikimai užfiksuota.

▲ **PERSPĖJIMAS:** Kai reguliuojate vamzdžio ilgį, paguldykite įrankį ant šono. Jei įrankį laikysite statmeną, galvutė staiga nusileis ir gali sužaloti.

Atlaisvinkite fiksavimo svirtelę, sureguliuokite vamzdžio ilgį ir vėl užfiksuokite svirtelę.

► **Pav.6:** 1. Fiksavimo svirtelė

## Priekinės rankenos padėties reguliavimas

▲ **PERSPĖJIMAS:** Prieš reguliuodami priekinės rankenos padėtį, visada įsitinkinkite, kad įrankis išjungtas.

▲ **PERSPĖJIMAS:** Reguliudami priekinės rankenos padėtį, būkite atsargūs, kad neprispaustumėte pirštų.

▲ **PERSPĖJIMAS:** Patikrinkite, ar ratuko veržlė yra patikimai užveržta.

▲ **PERSPĖJIMAS:** Nejudinkite priekinės rankenos už rodyklės žymos.

Norėdami sureguliuoti priekinės rankenos padėtį, sukdamy prieš laikrodžio rodyklę, atlaisvinkite sparnuotąją veržlę, tada sureguliuokite priekinės rankenos padėtį ir, sukdamy pagal laikrodžio rodyklę, užveržkite sparnuotąją veržlę.

► **Pav.7:** 1. Sparnuotoji veržlė 2. Rodyklės žyma

## SURINKIMAS

▲ **PERSPĖJIMAS:** Prieš darydami ką nors įrankiui visada patikrinkite, ar įrenginys išjungtas, o akumuliatorių kasetė – nuimta.

▲ **PERSPĖJIMAS:** Keisdami žirklių peilius, visada mūvėkite pirštines, kad rankos tiesiogiai prie jų neprisiliestų.

## Žirklių peilių uždėjimas ir nuėmimas

▲ **PERSPĖJIMAS:** Prieš montuodami arba nuimdami žirklių peilius, uždėkite peilio gaubtą.

**PASTABA:** Keisdami pjovimo peilius, nenuvalykite tepalo nuo pavaros ir švaistiklio.

**PASTABA:** Prieš uždėdami arba nuimdami žirklių peilius, atlenkite įrankio galvutę, kad ji būtų tiesiai įrankio korpuso atžvilgiu.

1. Padėkite įrenginį apatine puse į viršų.
2. Naudodami atsuktuvą, atsukite 4 varžtus ir nuimkite pjovimo peilius.  
► **Pav.8:** 1. Varžtas
3. Ištraukite iš pjovimo peilių švaistiklį.  
► **Pav.9:** 1. Švaistiklis

**PASTABA:** Švaistiklį galima palikti įrankyje.

4. Paruoškite švaistiklį ir naujus pjovimo peilius.  
► **Pav.10:** 1. Švaistiklis 2. Pjovimo peiliai
5. Nuimkite peilių gaubtą ir uždėkite jį ant naujų žirklių peilių.
6. Patepkite mažu tepalo kiekiu išorinę švaistiklio pusę. Pritvirtinkite poveržlę, įtaisą ir švaistiklį (šia tvarka) prie kaiščio.  
► **Pav.11:** 1. Švaistiklis 2. Įtaisas 3. Poveržlė 4. Kaištis
7. Sureguliuokite švaistiklį, kad ant jo esančios 2 mažos angos būtų vienoje linijoje ant sulyginimo linijos, kaip parodyta paveikslėlyje.  
► **Pav.12:** 1. Sulyginimo linija 2. Maža anga
8. Slinkite pjovimo peilius taip, kad kreiptuvo plokštėje esanti anga būtų peilių žiedų centre.  
► **Pav.13:** 1. Kreiptuvo plokštė
9. Per angą peilio gaubte įkiškite 2 veiksmo metu išsuktą varžtą į angą žirklių peiliuose.  
► **Pav.14:** 1. Anga
10. Pritvirtinkite žirklių peilius prie įrankio ir atsuktuvu priveržkite 3 varžtus.  
► **Pav.15:** 1. Varžtas
11. Išsukite 9 veiksmo metu į žirklių peilių angą įsuktą varžtą ir jį priveržkite, kad pritvirtintumėte žirklių peilius.



**PASTABA:** Jeigu pjovimo peiliai veikia netinkamai, jie nėra tinkamai uždėti ant švaistiklio. Nuimkite peilius ir vėl juos uždėkite.

**PASTABA:** Jei nusidėvėjo dalys, pvz., švaistiklis, išskyrus pjovimo peilius, kreipkitės į „Makita“ įgaliotuosius techninės priežiūros centrus, kad pakeistų dalis ar atliktų remonto darbus.

## Skiedrų gaudyklės uždėjimas ir nuėmimas

### Pasirenkamasis priedas

**⚠ PERSPĖJIMAS:** Uždėdami ar nuimdami skiedrų gaudyklę, visada mūvėkite pirštines, kad rankos tiesiogiai neprisiliestų prie žirklių peilių.

**⚠ PERSPĖJIMAS:** Prieš uždėdami ar nuimdami skiedrų gaudyklę, pritvirtinkite peilio gaubtą.

Skiedrų gaudyklė surenka netinkamus lapus, todėl vėliau valyti tampa daug lengviau. Ją galima uždėti bet kurioje įrankio pusėje.

1. Sulygiuokite angas ant skiedrų gaudyklės su veržlėmis ant žirklių peilių.

► **Pav.16:** 1. Veržlė

2. Pritvirtinkite skiedrų gaudyklės kumštelius prie žirklių peilių griovelio.

► **Pav.17:** 1. Kumštelis 2. Griovelis

3. Paspauskite svirtis ant skiedrų gaudyklės, kitoje pusėje prikabininkite kumštelius prie žirklių peilių griovelio.

► **Pav.18:** 1. Svirtis

Jei norite nuimti skiedrų gaudyklę, paspauskite svirtis, kad atpalaiduotumėte kumštelius.

► **Pav.19:** 1. Svirtis

**PASTABA:** Niekada nebandykite nuimti skiedrų gaudyklės jėga, jos kumšteliams esant įkabinantiems žirklių peilių grioveluose.

## NAUDOJIMAS

### Įrankio naudojimas

**⚠ JSPĖJIMAS:** Nenaudokite įrankio šalia elektros maitinimo linijų. Kludžius maitinimo linijas arba naudojant įrankį šalia jų, galima sunkiai susižaloti arba patirti elektros smūgį ir mirti.

**⚠ JSPĖJIMAS:** Rankas laikykite kuo toliau nuo žirklių peilių.

**⚠ JSPĖJIMAS:** Tuo metu būkite labai atsargūs, kad suvaldytumėte įrankį. Neleiskite, kad įrankis būtų nukreiptas jūsų arba kito, šalia darbo vietos esančio žmogaus, link. Nesuvaldžius įrankio, galima sunkiai susižeisti arba sužeisti šalia esančius žmones ir operatorių.

**⚠ PERSPĖJIMAS:** Jei tik įmanoma, stenkitės nenaudoti šio įrankio labai karštomis oro sąlygomis. Naudodami šį įrankį, atsižvelkite į savo fizinę būklę.

**⚠ PERSPĖJIMAS:** Kirpdami saugokitės, kad neužkabintumėte peiliu metalinės tvoros ar kito kieto daikto. Žirklių peiliai gali nulūžti ir sužeisti.

**⚠ PERSPĖJIMAS:** Būkite atsargūs ir neleiskite, kad pjovimo peiliai liestų žemę. Įrankis gali nulūžti ir sužeisti.

**⚠ PERSPĖJIMAS:** Nepaprastai pavojinga gyvatvorės žirkklėmis užsimoti per toli, ypač nuo kopėčių. Nedirbkite stovėdami ant netvirtu ar svyruojančio pagrindo.

**PASTABA:** Nebandykite šiuo įrankiu pjauti šakelių, storesnių kaip 10 mm skersmens. Šakų pjaustytuvais nupjaustykite šakeles iki 10 cm žemiau pjovimo aukščio, tik tuomet naudokite šį įrankį.

► **Pav.20:** (1) Pjovimo aukštis (2) 10 cm

**PASTABA:** Nepjaukite sudžiūvusių šakų ar panašių kietų daiktų. Taip galite sugadinti įrankį.

**PASTABA:** Nepjaukite žolės ar piktžolių žirklių peiliais. Žirklių peiliai gali įspainioti žolėje arba piktžolėse.

Abiem rankomis laikykite įrankį – laikykite už priekinės ir galinės rankenų.

► **Pav.21:** 1. Priekinė rankena 2. Galinė rankena

Spausdami atlaisvinimo mygtuką, nuspauskite gaiduką ir pastumkite įrankį į priekį.

► **Pav.22**

Paprasčiausias veiksmas yra pakreipti žirklių peilius pjovimo kryptimi, ramiai ir lėtai judinti, įveikiant metrą per 3 – 4 sekundes.

► **Pav.23**

Norėdami tolygiai apipjauti gyvatvorės šonus, pjaukite iš apačios į viršų.

► **Pav.24**

Jei norite išgauti apvalią formą (apkarpančią buksmedžius, rododendrus ir pan.), kirpkite nuo pagrindo į viršų, kad pasiektumėte gerų rezultatų.

► **Pav.25**

Jei prie žirklių peilių pritvirtinama skiedrų gaudyklė, ji surenka netinkamus lapus, todėl vėliau valyti tampa daug lengviau.

► **Pav.26**

# TECHNINĖ PRIEŽIŪRA

**▲ PERSPĖJIMAS:** Visuomet įsitikinkite, ar įrankis yra išjungtas ir akumulatoriaus kasetė yra nuimta prieš atlikdami apžiūrą ir priežiūrą.

**▲ PERSPĖJIMAS:** Kai tikrinate įrankį arba atliekate jo techninės priežiūros darbus, jį visada nuleiskite. Surenkant arba reguliuojant įrankį, nustatytą į vertikalią padėtį, galima sunkiai susižaloti.

Kad gamins būtų SAUGUS ir PATIKIMAS, jį taisyti, apžiūrėti ar vykdyti bet kokią kitą priežiūrą ar derinimą turi įgaliotasis kompanijos „Makita“ techninės priežiūros centras; reikia naudoti tik kompanijos „Makita“ pagamintas atsargines dalis.

## Įrankio valymas

Nuvalykite nuo įrankio dulkes sausu ar muiliniu vandeniui sumirkytu ir nugręžtu skuduru.

**PASTABA:** Niekada nenaudokite gazolino, benzino, tirpiklio, spirito arba panašių medžiagų. Gali atsirasti išblukimų, deformacijų arba įtrūkimų.

## Žirklių peilių priežiūra

Prieš darbą arba kas valandą darbo metu patepkite žirklių peilius mažo klampumo alyva (mašininė alyva ar purškiamo tepimo alyva).

► **Pav.27**

Po darbo vieliniu šepečiu išvalykite dulkes iš abiejų žirklių peilių pusių, nuvalykite juos skudurėliu, o paskui patepkite mažo klampumo alyva (mašininė alyva ar purškiamo tepimo alyva).

► **Pav.28**

**PASTABA:** Neplaukite žirklių peilių vandeniu. Tai gali paskatinti rūdijimą arba sugadinti šį įrankį.

**PASTABA:** Purvas ir korozija sukelia pernelyg didelę trintį ir sutrumpina akumulatoriaus darbo laiką.

## Laikymas

Uždėkite peilio gaubtą ant pjovimo peilių, kad jie būtų uždengti. Saugokite įrankį vaikams nepasiekiamoje vietoje. Laikykite įrankį nuo drėgmės ar lietaus apsaugotoje vietoje.

# GEDIMŲ ŠALINIMAS

Prieš kreipdamiesi dėl remonto darbų, pirmiausia patikrinkite gedimus patys. Kilus problemų, apie kurias nepaaiškinta vartotojo vadove, nemėginkite ardyti įrankio. Kreipkitės į įgaliotuosius „Makita“ techninės priežiūros centrus, kuriuose remontui visuomet naudojamos originalios „Makita“ keičiamosios dalys.

Neįprasta būklė	Tikėtina priežastis (triktis)	Ištaisomoji priemonė
Neveikia variklis.	Neįdėta akumulatoriaus kasetė.	Įdėkite akumulatoriaus kasetę.
	Akumulatoriaus problema (per maža įtampa)	Įkraukite akumuliatorių. Jei įkrauti nepavyksta, akumuliatorių pakeiskite.
	Netinkamai veikia pavaros sistema.	Dėl remonto kreipkitės į vietinį įgaliotąjį techninės priežiūros centrą.
Trumpai panaudojus variklis nustoja veikti arba visai neveikia.	Mažas akumulatoriaus įkrovos lygis.	Įkraukite akumuliatorių. Jei įkrauti nepavyksta, akumuliatorių pakeiskite.
	Perkaitimas.	Nesinaudokite įrankiu ir leiskite jam atvėsti.
Įrankis nepasiekia didžiausių apsisukimų per minutę.	Akumulatorius netinkamai įdėtas.	Akumulatoriaus kasetę įdėkite, kaip aprašyta šioje naudojimo instrukcijoje.
	Mažėjė akumulatoriaus galia.	Įkraukite akumuliatorių. Jei įkrauti nepavyksta, akumuliatorių pakeiskite.
	Netinkamai veikia pavaros sistema.	Dėl remonto kreipkitės į vietinį įgaliotąjį techninės priežiūros centrą.
Žirklių peiliai nejuda: ⇒ nedelsdami sustabdykite įrenginį!	Netinkamas žirklių peilių kampas.	Patikrinkite, ar galvutė tinkamai užfiksuota darbinio kampu.
	Tarp žirklių peilių yra įstrigusių pašalinių objektų.	Išjunkite įrankį ir išimkite akumulatoriaus kasetę, tada tam tikrais įrankiais, pvz., replėmis, pašalinkite pašalinius objektus.
	Netinkamai veikia pavaros sistema.	Dėl remonto kreipkitės į vietinį įgaliotąjį techninės priežiūros centrą.
Neįprasta vibracija: ⇒ nedelsdami sustabdykite įrenginį!	Žirklių peiliai sulūžę, sulinkę arba susidėvėję.	Pakeiskite žirklių peilius.
	Netinkamai veikia pavaros sistema.	Dėl remonto kreipkitės į vietinį įgaliotąjį techninės priežiūros centrą.
Žirklių peiliai ir variklis nesustoja: ⇒ nedelsdami išimkite akumuliatorių!	Elektros gedimas.	Išimkite akumuliatorių ir susisieki su vietiniu įgaliotoju techninės priežiūros centru dėl remonto.

# PASIRENKAMI PRIEDAI

**⚠ PERSPĖJIMAS:** Šiuos papildomus priedus arba įtaisus rekomenduojama naudoti su šioje instrukcijoje nurodytu „Makita“ bendrovės įrankiu. Naudojant bet kokius kitus papildomus priedus arba įtaisus, gali kilti pavojus sužeisti žmones. Naudokite tik nurodytam tikslui skirtus papildomus priedus arba įtaisus.

Jeigu norite daugiau sužinoti apie tuos priedus, kreipkitės į artimiausią „Makita“ techninės priežiūros centrą.

- Peilio mechanizmas
- Skiedrų gaudyklė
- Tepalo indas
- Originalūs „Makita“ akumulatorius ir įkroviklis

**PASTABA:** Kai kurie sąrašė esantys priedai gali būti pateikti įrankio pakuotėje kaip standartiniai priedai. Jie įvairiose šalyse gali skirtis.

## TEHNILISED ANDMED

Mudel:	UN460WD
Tera pikkus	460 mm
Käikude arv minutis	3 600 min <sup>-1</sup>
Lõiketera nurk	135° (üles 60°, alla 75°)
Üldpikkus	1 889–2 511 mm
Nimipinge	Alalisvool 10,8 V – 12 V max
Netokaal	2,8–3,0 kg

- Meie pideva uuringu- ja arendusprogrammi tõttu võidakse tehnilisi andmeid muuta ilma sellest ette teatamata.
- Tehnilised andmed võivad riigiti erineda.
- Kaal võib erineda olenevalt lisaseadistest, kaasa arvatud akukassetist. Kergeim ja raskeim kombinatsioon EPTA-protseduuri 01/2014 kohaselt on toodud tabelis.

### Sobiv akukassett ja laadija





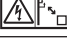

Akukassett	BL1016 / BL1021B / BL1041B
Laadija	DC10SA / DC10SB / DC10WC / DC10WD / DC18RE

- Mõned eespool loetletud akukassetid ja -laadijad ei pruugi olla teie riigis saadaval.

**⚠ HOIATUS:** Kasutage ainult ülalpool loetletud akukasseid ja laadijaid. Muude akukassetide ja laadijate kasutamine võib tekitada vigastusi ja/või tulekahju.

### Sümbolid

Alljärgnevalt kirjeldatakse tingimärke, mida võidakse seadmetel kasutada. Enne seadme kasutamist tehke endale selgeks nende tähendus.

	Lugege juhendit.
	Ärge jätke seadet niiskuse kätte.
	Kandke kiivrit, kaitseprille ja kõrvakaitseid.
	OHT – Hoidke käed terast eemal.
	Ettevaatust elektriliinidega, elektrilöögioht
	Hoidke vähemalt 15 m vahekaugust



Ainult EL-i riikide puhul  
Seadmes sisalduvate ohtlike osade tõttu võivad elektri- ja elektroonikaseadmete jäätmel, akud ja patareid avaldada negatiivset mõju keskkonnale ja inimeste tervisele.  
Elektri- ja elektroonikaseadmeid ega akusid ei tohi kõrvaldada koos olmejäätmetega!  
Euroopa elektri- ja elektroonikaseadmete jäätmel, akude ja patareide ning nende jäätmel direktiivi ja riiklikku õigusesse ülevõtmise kohaselt tuleb elektri- ja elektroonikaseadmete, akude ja patareide jäätmel koguda eraldi ning viia eraldiseisvasse olmejäätmete kogumispunkti, mis tegutseb kooskõlas keskkonnakaitse eeskirjadega. Sellele osutab seadmele paigaldatud läbikriipsutatud ratastega prügikasti sümbol.



Garanteeritud helivõimsustase ELi välis-tingimustes kasutatavate seadmete müra direktiivi kohasel.



Helivõimsustase Austraalia NSW müra-kontrolli määruse kohaselt

### Kavandatud kasutus

Tööriist on ette nähtud heki pügamiseks.

## Müra

Tüüpiline A-korrigeeritud müratase, määratud standardi EN62841-4-2 kohaselt:

Helirõhutase ( $L_{pA}$ ): 74 dB (A)

Määramatus (K): 3 dB (A)

Töötamisel võib müratase ületada 80 dB (A).

**MÄRKUS:** Deklareeritud müra väärtust (väärtuseid) on mõeldud kooskõlas standardse katsemeetodiga ning seda võib kasutada ühe seadme võrdlemiseks teisega.

**MÄRKUS:** Deklareeritud müra väärtust (väärtuseid) võib kasutada ka mürataseme esmaseks hindamiseks.

**⚠️HOIATUS:** Kasutage kõrvakaitsmeid.

**⚠️HOIATUS:** Müratase võib elektritööriista tegelikkuses kasutamise ajal erineda deklareeritud väärtus(t)est olenevalt tööriista kasutusviisidest ja eriti töödeldavast toorikust.

**⚠️HOIATUS:** Rakendage operaatori kaitsmiseks kindlasti piisavaid ohutusabinõusid, mis põhinevad hinnangulisel müratasemel tegelikus tööolukorras (võttes arvesse tööperioodi kõiki osasid, näiteks korrad, kui seade lülitatakse välja ja seade töötab tühikäigul, lisaks tööajale).

## Vibratsioon

Kohaldatav standard : EN62841-4-2

Vasak käsi (eesmine käepide)		Parem käsi (tagumine käepide)	
$a_{h,w}$ (m/s <sup>2</sup> )	Määramatus K (m/s <sup>2</sup> )	$a_{h,w}$ (m/s <sup>2</sup> )	Määramatus K (m/s <sup>2</sup> )
2,5 m/s <sup>2</sup> või vähem	1,5	2,5 m/s <sup>2</sup> või vähem	1,5

**MÄRKUS:** Deklareeritud vibratsiooni koguväärtust (-väärtuseid) on mõeldud kooskõlas standardse katsemeetodiga ning seda võib kasutada ühe seadme võrdlemiseks teisega.

**MÄRKUS:** Deklareeritud vibratsiooni koguväärtust (-väärtuseid) võib kasutada ka mürataseme esmaseks hindamiseks.

**⚠️HOIATUS:** Vibratsioonitase võib elektritööriista tegelikkuses kasutamise ajal erineda deklareeritud väärtus(t)est olenevalt tööriista kasutusviisidest ja eriti töödeldavast toorikust.

**⚠️HOIATUS:** Rakendage operaatori kaitsmiseks kindlasti piisavaid ohutusabinõusid, mis põhinevad hinnangulisel müratasemel tegelikus tööolukorras (võttes arvesse tööperioodi kõiki osasid, näiteks korrad, kui seade lülitatakse välja ja seade töötab tühikäigul, lisaks tööajale).

## EÜ vastavusdeklaratsioon

*Ainult Euroopa riikide puhul*

EÜ vastavusdeklaratsioon sisaldub käesoleva juhendi Lisas A.

## OHUTUSHOIATUSED

### Üldised elektritööriistade ohutushoiatused

**⚠️HOIATUS:** Lugege läbi kõik selle elektritööriistaga kaasas olevad ohutushoiatused, juhised, joonised ja tehnilised andmed. Järgnevate juhiste eiramine võib põhjustada elektrilöögi, süttimise ja/või raske kehavigastuse.

## Hoidke edaspidisteks viide- teks alles kõik hoiatused ja juhtnöörid.

Hoiatustes kasutatud termini „elektritööriist“ all peetakse silmas elektriga töötavaid (juhtmega) elektritööriistu või akuga töötavaid (juhtmeta) elektritööriistu.

## Teleskoopvarrega juhtmeta hekilõikuri ohutusnõuded

- Hoidke kõik kehaosad terast kaugemal. Ärge eemaldage lõikematerjali ega hoidke sellest kinni, kui lõiketerad liiguvad.** Lõiketerad liiguvad edasi ka pärast seda, kui seade välja lülitatakse. Üks hetk tähelepanematust hekilõikuriga töötamisel võib põhjustada tõsiseid vigastusi.
- Kandke hekilõikurit käepidemest, nii et lõiketera on peatunud, ning jälgige, et te ei vajutaks toitelülile.** Hekilõikuri õige kandmine vähendab juhusliku käivitamise ohtu ja sellega lõiketeradest põhjustatud vigastusi.
- Hekilõikuri transportimise või hoiulepaneku ajaks peab lõiketera alati katma.** Hekilõikuri õigesti käsitlemine vähendab lõiketeradest põhjustatud vigastuste ohtu.
- Kinnijäänud materjali eemaldamisel või seadme hooldamisel veenduge, et kõik toitelülid oleks välja lülitatud ning akupakk oleks eemaldatud või lahti ühendatud.** Hekilõikuri ootamatu käivitamine kinnijäänud materjali eemaldamisel või hooldamisel võib põhjustada tõsiseid vigastusi.
- Hoidke hekilõikurit ainult isoleeritud haardepindadest, sest lõiketera võib sattuda kokkupuutesse varjatud juhtmetega.** Terade kokkupuutel võrguga ühendatud elektrijuhtmetega võivad paljustada hekilõikuri metallosad, mille tulemusel võib operaator saada elektrilöögi.

- Hoidke kõik toitejuhtmed ja kaablid lõikamisalast eemal. Toitejuhtmed või kaablid võivad hekkides või pöösastes peidus olla ning lõiketera võib need kogemata läbi lõigata.
- Vältige hekilõikuri kasutamist halva ilmaga, eriti kui valitseb äikeseoht. Sellega vähendate pikselöögiohtu.
- Elektrivooluga hukkumise ohu vähendamiseks ärge kasutage teleskoopvarrega hekilõikurit mitte kunagi elektriliinide lähedal. Elektriliinidega kokkupuutumine või nende lähedal hekilõikuri kasutamine võib põhjustada tõsiseid vigastusi või surmaga lõppevat elektrilööki.
- Hekilõikuriga töötamisel kasutage alati kahte kätt. Hoidke teleskoopvarrega hekilõikurit mõlema käega, et kontrolli mitte kaotada.
- Hekilõikuriga pea kohal töötamisel kasutage alati peakaitset. Langev praht võib põhjustada tõsiseid vigastusi.

## Lisaohutusnõuded

### Ettevalmistus

- HEKILÕIKUR VÕIB PÕHJUSTADA TÕSISEID VIGASTUSI. Lugege tähelepanelikult juhiseid, kuidas tööriista käsitleda, ette valmistada, hooldada, käivitada ja seisata. Õppige põhjalikult tundma tööriista juhtseadiseid ja õiget kasutamist.
- Enne tööriista kasutamist kontrollige hekke ja pöösaid seoses võõrkehadega, näiteks traataiad või varjatud juhtmed.
- Lastel ja alla 18-aastastel noortel on hekitrimmeri kasutamine keelatud. Üle 16-aastased noored võivad olla nimetatud piirangust vabastatud, kui nad läbivad vastava väljaõppe asjatundja juhendamisel.
- Hädaolukorras lülitage tööriist viivitamatult välja ja eemaldage kohe akukassett.
- OHT - Hoidke käed terast eemal. Teraga kokkupuutumine võib põhjustada raske kehavigastuse.
- Algajale peaks kogunud hekilõikuri kasutaja õpetama, kuidas tööriista kasutada.
- Enne töö alustamist uurige, kas tööpiirkonnas leidub traataedu, kive või muid kõvasid esemeid. Need võivad lõiketera kahjustada.
- Kasutage hekitrimmerit vaid siis, kui olete heas füüsilises vormis. Teie tähelepanuvõime väheneb, kui olete väsinud. Olge eriti ettevaatlik tööpäeva lõpul. Töötage alati rahulikult ja ettevaatlikult. Kasutaja on vastutav kõigi kolmandatele osapooltele põhjustatud kahjude eest.
- Enne tööle asumist veenduge, et trimmer oleks heas töökorras ja turvaline. Veenduge, et kaitsmed oleks korralikult kinnitatud. Hekitrimmerit ei tohi kasutada, kui see pole täielikult kokku pandud.
- Vältige ohtlikke piirkondi. Ärge kasutage seadet niisketes või märgades kohtades ega jätke seda vihma kätte. Seadmesse sisse sattunud vesi suurendab elektrilöögiohtu.

### Isikukaitsevahendid

- Tugevast nahast töökindad on osa põhivarusustest ja neid tuleb hekitrimmerit kasutades alati kanda. Samuti kandke vastupidavaid libisemisvastase tallaga jalanõusid.
- Kandke kuulmiskaitsevahendeid, näiteks kõrvarpote, et vältida kuulmiskadu.
- Kandke kaitseprille, -kiivrit ja -kindaid, et kaitsta ennast lendava prahi või kukkuvate esemete eest.
- Lõiketerade puudutamisel või lõiketera nurga reguleerimisel kandke kaitsekindaid. Terad võivad teha kaitsmata kättesse sügavaid sisselõikeid.

### Kasutamine

- Tööriistaga töötamisel kasutage alati kahte kätt. Ühe käega töötamine võib põhjustada kontrolli kadumist ja raskeid vigastusi.
- Tööriista kasutamisel veenduge alati, et tööasend oleks ohutu ja turvaline. Tööriistaga liigne upitamine, eriti redellit, on väga ohtlik. Ärge töötage kõikuval või ebakindlal alusel.
- Tööriistaga töötamisel ärge kandke korraga mitmeid vöö- ja/või õlarakmeid.
- Jälgige, et kõrvalised isikud ja loomad jääksid töötamise ajal seadmest vähemalt 15 m kaugusele. Seisake seade kohe, kui keegi teile läheneb.
- Kui lõiketera läheneb mingi eseme vastu või tööriist hakkab tegema ebatavalist häält või vibreerima, lülitage tööriist välja, eemaldage kohe akukassett ja laske tööriistal seiskuda. Seejärel tehke järgmised toimingud:
  - kontrollige kahjustuste olemasolu;
  - kontrollige osade pingust ja pinguldage lahtised osad;
  - laske kahjustatud osad originaalvaruosadega asendada või parandada.
- Kasutage tööriista ainult ettenähtud otstarbel. Ärge kasutage tööriista mingil muul otstarbel.
- Lülitage tööriist välja ja eemaldage akukassett, enne kui:
  - puhastate või eemaldate ummistust;
  - kontrollite, hooldate tööriista või nokitsete selle kallal;
  - reguleerite lõiketerade tööasendit;
  - jätate tööriista valveta.
- Enne tööriista käivitamist veenduge, et see oleks korrektselt ettenähtud tööasendis.
- Ärge kasutage tööriista kahjustatud või väga kulunud lõiketeradega.
- Jälgige alati oma ümbrust ja pange tähele võimalikke ohtusid, mida te tööriista müra tõttu ei pruugi märgata.
- Olge töötamise ajal ettevaatlik, et tööriist ei puutuks kokku metalliaia ega mõne muu kõva esemega. Tera võib murduda ja põhjustada tõsiseid vigastusi.
- Vältige juhukäivitust. Ärge kandke tööriista, kui akukassett on paigaldatud või kui sõrm on lülitil. Akukassetti paigaldamisel veenduge, et tööriist oleks välja lülitatud.

13. Tööriista töstes või hoides ärge haarake kinni katmata lõiketeradest või -servadest.
14. Ärge rakendage tööriista kasutamisel jõudu. Seadmele ettenähtud töökiirusel toimib seade paremini ja vigastuste tõenäosus on väiksem.
15. Ärge kasutage tööriista vihmaga ega märgades ja väga niisketes tingimustes. Elektrimootor pole veekindel.
16. Töötades hoidke tööriista kindlalt käes.
17. Ärge käituge tööriista tarbetult koormamata olekus.
18. Lülitage tööriist enne lõiketerade kontrollimist, torgete eemaldamist või lõiketerasse kiilunud esemete eemaldamist alati välja ja eemaldage akukasset.
19. Ärge kunagi suunake lõiketerasid enda ega teiste poole.
20. Kui terad ei liigu, kuna nende vahele on töö ajal jäänud võorkehad, lülitage tööriist välja, eemaldage akukasset ja seejärel eemaldage võorkehad sobivate tööriistadega (nt näpitsatega). Võorkehade käitsi eemaldamisel võib käsi saada vigastusi, kui terad võorkehade eemaldamisel liiguvad.

#### Elektriohutus ja aku ohutu talitlus

1. Vältige ohtlikke piirkondi. Ärge kasutage seadet niisketes või märgades kohtades ega jätke seda vihma kätte. Seadmesse sisse sattunud vesi suurendab elektrilöögiohtu.
2. Ärge visake kasutatud akut (akusid) tulle. Element võib plahvatada. Kasutatud akude käitlemise võimalikud erinõuded leiate kohalikest eeskirjadest.
3. Akut (akusid) ei tohi avada ega kahjustada. Väljalavalgunud elektrolüüt on söövitava toimega ning võib kahjustada silmi ja nahka. See võib osutada allaneelamisel mürgiseks.
4. Ärge laadige akut vihma käes ega märjas keskkonnas.
5. Ärge laadige akut välistingimustes.
6. Ärge käsitage laadurit, sh laaduri pistikut ja laadimisternale märgade kätega.

#### Hooldus ja hoiudamine

1. Kui tööriista on vaja hooldada, üle vaadata või hoiudada, lülitage tööriist välja, eemaldage akukasset ja veenduge, et kõik liikuvad osad oleks seiskunud. Enne ülevaatust, reguleerimist jms laske tööriistal jahtuda.
2. Laske tööriistal enne hoiudamist alati maha jahtuda.
3. Kui tööriista ei kasutata, kinnitage terakate tööriistale ning pange tööriist hoiule kuiva ja kõrgel asuvasse lukustatud kohta, kuhu lapsed ligi ei pääse.
4. Hoidke oma tööriista alati korras. Parima jõudluse tagamiseks ja vigastusohu vähendamiseks hoidke lõikeserv terava ja puhtana. Järgige õlitamist ja tarvikute vahetamist puudutavaid juhtnõure. Hoidke käepidemed kuivad, puhtad ning õli- ja rasvavabad.

5. Kontrollige kahjustatud osi. Enne tööriista edasist kasutamist tuleb hoolikalt kontrollida kahjustatud osi, et teha kindlaks, kas tööriist töötab edaspidi nõuetekohaselt ja täidab oma sihtotstarvet. Kontrollige liikuvate osade joondumist, liikuvate osade kokkujooksu, purunenud osi, osade paigaldust ja muid tingimusi, mis võivad mõjutada tolmuimeja funktsioneerimist. Kahjustatud kaitse või muu osa tuleb nõuetekohaselt parandada või vahetada välja volitatud hoolduskeskuses.
6. Kasutage ainult originaalvaruosid.
7. Tööriista asukoha muutmisel, ka töötamise ajal, eemaldage alati akukasset ja paigaldage lõiketeradele terakate. Ärge kandke ega transportige tööriista kunagi nii, et lõiketerad töötavad. Ärge haarake lõiketeradest kunagi kätega.
8. Enne tööriista pikemaks ajaks hoiulepanekut ja pärast iga kasutust puhastage tööriist ja eriti lõiketerad. Õlitage kergelt lõiketerasid ja pange terakate peale.
9. Ärge visake kasutatud akut (akusid) tulle. Element võib plahvatada. Kasutatud akude käitlemise võimalikud erinõuded leiate vastavastavatest kohalikest eeskirjadest.
10. Akut (akusid) ei tohi avada ega vigastada. Väljalavalgunud elektrolüüt on söövitava toimega ning võib kahjustada silmi ja nahka. See võib osutada allaneelamisel mürgiseks.
11. Ärge laadige akut vihma käes ega märjas keskkonnas.

## HOIDKE JUHEND ALLES.

**⚠ HOIATUS:** ÄRGE UNUSTAGE järgida toote ohutusnõudeid mugavuse või toote (korduskasutamise)ga saavutatud hea tundmise tõttu. VALE KASUTUS või kasutusjuhendi ohutuseeskirjade eiramine võib põhjustada tervisekahjustusi.

### Akukassetiga seotud olulised ohutusjuhised

1. Enne akukasseti kasutamist lugege (1) akulaadija, (2) akut ja (3) seadmel olevad juhtnõupid ja hoiatused läbi.
2. Ärge võtke akukassetti lahti ega muutke seda. See võib põhjustada tulekahju, liigset kuumust või plahvatuse.
3. Kui tööaeg järsult lüheneb, siis lõpetage kohe kasutamine. Edasise kasutamise tulemuseks võib olla ülekuumenemine, võimalikud põletused või isegi plahvatust.
4. Kui elektrolüüti satub silma, siis loputage silma puhta veega ja pöörduge koheselt arsti poole. Selline õnnetus võib põhjustada pimedaksjäämist.
5. Ärge tekitage akukassetis lühist:
  - (1) Ärge puutuge klemme elektrijuhtidega.
  - (2) Ärge hoidke akukassetti tööriistakasti koos metallisememetega, nagu naelad, mündid jne.
  - (3) Ärge tehke akukassetti märjaks ega jätke seda vihma kätte.



- Aku lühis võib põhjustada tugevat elektri-  
voolu, ülekuumenemist, põletusi ning ka sea-  
det tõsiselt kahjustada.
- Ärge hoidke ega kasutage tööriista ja akukas-  
setti kohtades, kus temperatuur võib tõusta  
üle 50 °C (122 °F).
  - Ärge põletage akukasetti isegi siis, kui see on  
saanud tõsiselt vigastada või on täiesti kulu-  
nud. Akukasett võib tules plahvatada.
  - Ärge naelutage, löigake, muljuge, visake aku-  
kassetti ega laske sel kukkuda, samuti ärge  
lööge selle pihnta kõva esemega. Selline tegevus  
võib põhjustada tulekahju, liigset kuumust või  
plahvatuse.
  - Ärge kasutage kahjustatud akut.
  - Sisalduvatele liitium-ioonakudele võivad  
kohalduda ohtlike kaupade õigusaktide nõu-  
ded.  
Kaubanduslikul transportimisel, näiteks kolman-  
date poolte või transpordiettevõtete poolt, tuleb  
järgida pakendil ja siltidel toodud erinõudeid.  
Transportimiseks ettevalmistamisel on vajalik  
pidada nõu ohtliku materjali eksperdiga. Samuti  
tuleb järgida võimalike riiklike regulatsioonide  
üksikasjalikumaid nõudeid.  
Katke teibiga või varjake avatud kontaktid ja  
pakendage aku selliselt, et see ei saaks pakendis  
liikuda.
  - Kasutuskõlbmatuks muutunud akukasetti  
kõrvaldamiseks eemaldage see tööriistast ja  
viige selleks ette nähtud kohta. Järgige kasu-  
tuskõlbmatuks muutunud aku kõrvaldamisel  
kohalikke eeskirju.
  - Kasutage akusid ainult Makita heaks kiidetud  
toodetega. Akude paigaldamine selleks mitte  
ettenähtud toodetele võib põhjustada süttimist,  
ülemäärast kuumust, plahvatamist või elektrilöödi  
lekkimist.
  - Kui tööriista ei kasutata pika ajaperioodi jook-  
sul, tuleb aku tööriistast eemaldada.
  - Kasutamise ajal ja pärast kasutamist võib  
akukasett kuumeneda, mis võib põhjustada  
põletusi või madala temperatuuri põletusi.  
Olge kuuma akukasetti kandmisel ettevaatlik.
  - Ärge puudutage tööriista klemmi kohe pärast  
kasutamist, sest see võib olla kuum ja põhjus-  
tada põletusi.
  - Hoidke akukasetti klemmid, avad ja sooned  
tükikestest, tolmust ja mullast puhtad. Muidu  
võib tööriist või akukasett halvasti töötada või  
puruneda.
  - Kui tööriist ei kannata kasutamist kõrgepinge-  
liinide lähedal, ärge kasutage akukasetti  
kõrgepingeliinide lähedal. Muidu võib tööriist või  
akukasett puruneda või sellel tõrge tekkida.
  - Hoidke akut lastele kättesaamatult.

## HOIDKE JUHEND ALLES.

**⚠ETTEVAATUST:** Kasutage ainult Makita  
originaalakusid. Mitte Makita originaalakude või  
muudetud akude kasutamine võib põhjustada akude  
süttimise, kehavigastuse ja kahjustuse. Samuti muu-  
dab see kehtetuks Makita tööriista ja laadija Makita  
garantii.

## Vihjeid aku maksimaalse kasu- tusaja tagamise kohta

- Laadige akukasetti enne selle täielikku  
tühjenemist. Kui märkate, et tööriist töötab  
väiksema võimsusega, peatage töö ja laadige  
akukasetti.
- Ärge laadige täielikult laetud akukasetti.  
Ülelaadimine lühendab akude kasutusiga.
- Laadige akukasetti toatemperatuuril 10 °C -  
40 °C. Enne laadimist laske kuumenenud aku-  
kassetil maha jahtuda.
- Kui te ei kasuta parajasti akukasetti, eemal-  
dage see tööriistast või laadurist.

## OSADE KIRJELDUS

### ► Joon.1

1	Peaosa	2	Nurga reguleerimisnupp	3	Lukustushoob	4	Tiibmutter
5	Eesmine käepide	6	Tagumine käepide	7	Akukasett	8	Lüüti päästik
9	Lukust avamise nupp	10	Lõiketerad	-	-	-	-

# FUNKTSIONAALNE KIRJELDUS

**⚠ETTEVAATUST:** Kandke alati hoolt selle eest, et tööriist oleks enne reguleerimist ja kontrollimist välja lülitatud ja akukassett eemaldatud.

## Akukasseti paigaldamine või eemaldamine

**⚠ETTEVAATUST:** Lülitage tööriist alati enne akukasseti paigaldamist või eemaldamist välja.

**⚠ETTEVAATUST:** Akukasseti paigaldamisel või eemaldamisel tuleb tööriista ja akukassetti kindlalt paigal hoida. Kui tööriista ja akukassetti ei hoita kindlalt paigal, võivad need käest libiseda ning kahjustada tööriista ja akukassetti või põhjustada kehavigastusi.

► **Joon.2:** 1. Punane näidik 2. Nupp 3. Akukassett

Akukasseti eemaldamiseks libistage see tööriista küljest lahti, vajutades kasseti esiküljel paiknevat nuppu alla.

Akukasseti paigaldamiseks joondage akukasseti keel korpuse soonega ja libistage kassett oma kohale. Sisestage see tervenisti, kui see lukustub klõpsuga oma kohale. Kui näete joonisel näidatud punast näidikut, pole see täielikult lukustunud.

**⚠ETTEVAATUST:** Paigaldage akukassett alati täies ulatuses nii, et punast osa ei jääks näha. Muidu võib adapter juhuslikult tööriistast välja kukkuda ning põhjustada teile või läheduses viibivatele isikutele vigastusi.

**⚠ETTEVAATUST:** Ärge rakendage akukasseti paigaldamisel jõudu. Kui kassett ei lähe kergesti sisse, pole see õigesti paigaldatud.

## Aku jääkmahutavuse näit

**Ainult näidikuga akukassettidele**

► **Joon.3:** 1. Märkulambid 2. Kontrollimise nupp

Akukasseti järelejäanud mahutavuse kontrollimiseks vajutage kontrollimise nuppu. Märkulambid süttivad mõneks sekundiks.

Märkulambid	Jääkmahutavus
	75–100%
	50–75%
	25–50%
	0–25%

**MÄRKUS:** Näidatud mahutavus võib veidi erineda tegelikust mahutavusest olenevalt kasutustingimustest ja ümbritseva keskkonna temperatuurist.

## Tööriista/aku kaitsesüsteem

Tööriist on varustatud tööriista või aku kaitsesüsteemiga. Süsteem lülitab mootori automaatselt välja, et pikendada tööriista ja aku tööiga. Tööriist seiskub käitamise ajal automaatselt, kui tööriista või aku kohta kehtib üks järgmistest tingimustest.

### Ülekoormus:

Tööriista kasutatakse viisil, mis põhjustab toitevoolu tugevuse tõusu lubatust kõrgemale. Sel juhul lülitage tööriist välja ja lõpetage tööriista ülekoormuse põhjustanud töö. Pärast seda käivitage tööriist uuesti.

Kui tööriist ei käivitu, on aku ülekuumenenud. Sellises olukorras laske akul maha jahtuda, enne kui tööriista uuesti sisse lülitate.

### Madal akupinge:

aku jääkmahutavus on liiga väike ja tööriist ei hakka tööle. Tööriista sisse lülitades hakkab mootor tööle, kuid seiskub peatselt. Sellisel juhul eemaldage aku ja laadige seda.

## Lüliti funktsioneerimine

**⚠HOIATUS:** Kontrollige alati enne akukasseti tööriista külge paigaldamist, kas lüliti päästik funktsioneerib nõuetekohaselt ja liigub lahtilaskmisel tagasi väljalülitatud asendisse.

**⚠HOIATUS:** Teie ohutuse tagamiseks on tööriist varustatud lukust avamise nupuga, mis hoiab ära tööriista ettekatvemat käivitamist. Ärge kunagi kasutage tööriista, kui see käivitus lüliti päästiku vajutamisel ilma lukust avamise nuppu vajutamata. Pöörduge remontimiseks kohalikku Makita hoolduskeskusesse.

**⚠HOIATUS:** Ärge kunagi inaktiveerige lukustusfunktsiooni ega teipige kinni lukust avamise nuppu.

**TÄHELEPANU:** Ärge vajutage jõuga lüliti päästikut ilma lukust avamise nuppu vajutamata. Lüliti võib puruneda.

► **Joon.4:** 1. Lukust avamise nupp 2. Lüliti päästik

Lüliti päästiku juhusliku vajutamise vältimiseks on tööriistal lahtilukustusnupp.

Tööriista käivitamiseks vajutage lukust avamise nuppu alla ja vajutage lüliti päästikut. Seiskamiseks vabastage lüliti päästik. Lukust avamise nuppu võib vajutada nii paremalt kui ka vasakult.

## Lõikenurga reguleerimine

**⚠ETTEVAATUST:** Enne tööriista peaosa kokku- või lahtipakkimist veenduge alati, et tööriist oleks välja lülitatud.

**⚠ETTEVAATUST:** Kui hakkate enne tööriista kandmist või pärast tööriista kasutamist peaosa kokku pakkima, siis veenduge, et paneksite enne seda terakatte peale.

**⚠ETTEVAATUST:** Peaosa kokkupakkimisel olge ettevaatlik, et sõrmed ei jääks peaosa ja tööriista kere vahele.

Peaosa nurka saab reguleerida 10 sammuga. Peaosa nurga muutmiseks järgige järgnevaid samme.

1. Hoidke peaosa ja tööriista keret nii, nagu joonisel näidatud.

► **Joon.5:** 1. Peaosa 2. Nurga reguleerimisnupp

2. Reguleerige peaosa nurka, hoides samal ajal nurga reguleerimisnuppu all, seejärel laske nurga reguleerimisnupp lahti.

3. Liigutage kergelt peaosa, kuni see klõpsuga lukustub.

**MÄRKUS:** Enne tööriista kasutamist veenduge, et peaosa oleks korralikult lukustunud.

## Toru pikkuse reguleerimine

**⚠ETTEVAATUST:** Enne toru pikkuse reguleerimist veenduge alati, et tööriist oleks välja lülitatud.

**⚠ETTEVAATUST:** Toru pikkuse reguleerimisel kinnitage enne toru pikkuse reguleerimist kindlasti lõiketera kate.

**⚠ETTEVAATUST:** Olge toru pikkuse reguleerimisel ettevaatlik, et te ei jätkaks sõrmi katte ja seadme vahele.

**⚠ETTEVAATUST:** Veenduge, et lukustushoob oleks kindlalt lukustatud.

**⚠ETTEVAATUST:** Toru pikkuse reguleerimisel asetage tööriist küljele. Kui hoiate tööriista püsti, langeb pea korraga alla ja see võib tekitada vigastusi.

Lõdvendage lukustushooba, seejärel reguleerige toru pikkust ja lukustage lukustushoob.

► **Joon.6:** 1. Lukustushoob

## Eesmise käepideme asukoha reguleerimine

**⚠ETTEVAATUST:** Enne eesmise käepideme asukoha reguleerimist veenduge alati, et tööriist oleks välja lülitatud.

**⚠ETTEVAATUST:** Olge eesmise käepideme asukoha reguleerimisel ettevaatlik, et te ei jätkaks sõrmi katte ja seadme vahele.

**⚠ETTEVAATUST:** Veenduge, et tiibmutter oleks kindlalt pingutatud.

**⚠ETTEVAATUST:** Ärge liigutage eesmist käepidet üle noolemärgi.

Eesmise käepideme asukoha reguleerimiseks lõdvendage tiibmutrit, keerates seda vastupäeva, seejärel reguleerige eesmise käepideme asukohta ning pingutage tiibmutrit, keerates seda päripäeva.

► **Joon.7:** 1. Tiibmutter 2. Noolemärk

## KOKKUPANEK

**⚠ETTEVAATUST:** Kandke alati hoolt selle eest, et tööriist oleks enne igasuguseid hooldustöid välja lülitatud ja akukassett eemaldatud.

**⚠ETTEVAATUST:** Lõiketerade paigaldamisel kandke alati kindaid ja olge ettevaatlik, et käed ei satuks teraga otsesesse kontakti.

## Lõiketerade paigaldamine või eemaldamine

**⚠ETTEVAATUST:** Paigaldage enne lõiketerade eemaldamist või paigaldamist terakate.

**TÄHELEPANU:** Lõiketerade asendamisel ärge pühkige hammasrattalt ega vändalt määret maha.

**MÄRKUS:** Enne lõiketerade paigaldamist või eemaldamist pakkige tööriista peaosa lahti, nii et see on tööriista korpuse suhtes sirgelt.

1. Asetage tööriist tagurpidi.
2. Eemaldage kruvikeerajaga 4 kruvi ja eemaldage lõiketerad.  
► **Joon.8:** 1. Kruvi
3. Eemaldage lõiketeradelt vânt.  
► **Joon.9:** 1. Vânt

**MÄRKUS:** Vânt võib jääda tööriista.

4. Valmistage ette vânt ja uued lõiketerad.  
► **Joon.10:** 1. Vânt 2. Lõiketerad
5. Eemaldage terakate ja kinnitage see siis uutele lõiketeradele.
6. Kandke väike kogus määret vända äärtele. Kinnitage seib, ülekanne ja vânt järjekorras tihvti külge.  
► **Joon.11:** 1. Vânt 2. Ülekanne 3. Seib 4. Tihvt
7. Reguleerige vânta, nii et vändal oleval 2 väikest ava oleksid joonusjoone peal, nagu joonisel näidatud.  
► **Joon.12:** 1. Joonusjoon 2. Väike ava
8. Liigutage lõiketerasid, et juhtplaadis olev auk asuks teradel olevate ringide keskel.  
► **Joon.13:** 1. Juhtplaat
9. Sisestage 2. sammus eemaldatud kruvi lõiketeradel olevasse avasse läbi lõiketera kattes oleva ava.  
► **Joon.14:** 1. Ava
10. Kinnitage lõiketerad tööriista külge ja pingutage seejärel 3 kruvi kruvikeerajaga.  
► **Joon.15:** 1. Kruvi
11. Eemaldage 9. sammus lõiketeradel olevasse avasse sisestatud kruvi ja keerake see seejärel kinni, et lõiketerad fikseerida.

**TÄHELEPANU:** Kui lõiketerad ei tööta korralikult, ei haaku terad vändaga õigesti. Eemaldage terad ja paigaldage need uuesti.

**TÄHELEPANU:** Kui lõiketeradest erinevad osad (näiteks vânt) on kulunud, küsige Makita ametlikust teeninduskeskusest varuosi või laske neil teha parandustööd.

## Laastukoguja paigaldamine ja eemaldamine

### Lisatarvik

**⚠ETTEVAATUST:** Laastukoguja paigaldamisel või eemaldamisel kandke alati kindaid ja kandke hoolt selle eest, et käed ei satuks lõiketeradega otsesesse kontakti.

**⚠ETTEVAATUST:** Enne laastukoguja paigaldamist või eemaldamist kinnitage lõiketera kate.

Laastukoguja kogub kõrvaleheidetud lehti ja muudab hilisema puhastamise oluliselt lihtsamaks. Selle saab paigaldada tööriista ükskõik kummale küljele.

1. Joondage laastukogujal olevad avad lõiketeradel olevate mutritega.

► **Joon.16:** 1. Mutter

2. Haakige laastukoguja haaratsid lõiketeradel asuva soone külge.

► **Joon.17:** 1. Haarats 2. Soon

3. Vajutage laastukogujal olevaid hoobasid ja haakige seejärel haaratsid teisel pool lõiketeradel asuva soone külge.

► **Joon.18:** 1. Hoob

Laastukoguja eemaldamiseks vajutage hoobadele, et haaratsid vabastada.

► **Joon.19:** 1. Hoob

**TÄHELEPANU:** Ärge kunagi proovige laastukogujat jõuga eemaldada, kui selle haaratsid on lukustatud lõiketerade soontesse.

## TÖÖRIISTA KASUTAMINE

### Tööriista kasutamine

**⚠HOIATUS:** Ärge kasutage tööriista elektriliinide lähedal. Elektriliinidega kokkupuutumine või tööriista elektriliinide lähedal kasutamine võib põhjustada tõsiseid vigastusi või surmaga lõppevat elektrilööki.

**⚠HOIATUS:** Hoidke käed lõiketeradest eemal.

**⚠HOIATUS:** Olge äärmiselt ettevaatlik ja tagage tööriista üle alati kontroll. Ärge laske tööriistal kalduda enda ega kellegi teise läheduses viibiva isiku poole. Kontrolli kaotamine tööriista üle võib põhjustada kõrvalseisjale ja operaatorile tõsise kehavigastuse.

**⚠ETTEVAATUST:** Vältige nii palju kui võimalik tööriista kasutamist väga kuumas ilmaga. Pidage tööriista kasutamisel silmas oma füüsilist vormi.

**⚠ETTEVAATUST:** Olge lõigates ettevaatlik, et trimmer ei satuks kontakti metalliaia ega mõne muu kõva esemega. Lõiketerad võivad puruneda ja põhjustada kehavigastusi.

**⚠ETTEVAATUST:** Olge ettevaatlik, et lõiketerad ei puutuks vastu maad. Tööriist võib tagasi lüüa ja põhjustada kehavigastusi.

**⚠ETTEVAATUST:** Liigne upitamine hekitrimmeriga, eriti redeliit, on väga ohtlik. Ärge töötage, kui seisate kõikuval ega ebakindlal pinnal.

**TÄHELEPANU:** Ärge püüdke tööriistaga lõigata jämedamaid oksa kui 10 mm. Lõigake enne tööriista kasutamist oksad oksalõikuriga lõikekõrgusest kuni 10 cm madalamaks.

► **Joon.20:** (1) Lõikekõrgus (2) 10 cm

**TÄHELEPANU:** Ärge lõigake maha surnud puid ega sarnaseid kõvasid asju. See võib kahjustada tööriista.

**TÄHELEPANU:** Rohtu ega umbrohtu ei tohi lõiketeradega lõigata. Lõiketerad võivad rohtu või umbrohtu takerduda.

Hoidke tööriista mõlema käega, hoides eesmisest ja tagumisest käepidemest.

► **Joon.21:** 1. Eesmine käepide 2. Tagumine käepide

Tõmmake lukust avamise nupu vajutamisega samal ajal lüliti päästikut ja liigutage tööriista ettepoole.

► **Joon.22**

Tavakasutuseks kallutage lõiketerasid lõikesuunas ning liigutage tööriista rahulikult ja aeglaselt kiirusega 3 kuni 4 sekundit meetri kohta.

► **Joon.23**

Heki ühtlaselt lõikamiseks küljelt lõigake seda alt üles.

► **Joon.24**

Kui soovite lõigata ümarat kuju (pukspuu, rododendron), lõigake kauni tulemuse saamiseks alt üles.

► **Joon.25**

Kui laastukoguja on lõiketeradele kinnitatud, kogub see kõrvaleheidetud lehti ja muudab hilisema puhastamise oluliselt lihtsamaks.

► **Joon.26**

## HOOLDUS

**⚠ETTEVAATUST:** Enne kontroll- või hooldustoimingute tegemist kandke alati hoolt selle eest, et tööriist oleks välja lülitatud ja akukassett korpuse küljest eemaldatud.

**⚠ETTEVAATUST:** Tööriista kontrollides või hooldades asetage tööriist alati maha. Tööriista püstises asendis kokkupanemine või reguleerimine võib põhjustada tõsiseid vigastusi.

Toote OHUTUSE ja TÖÖKINDLUSE tagamiseks tuleb vajalikud remonttööd ning muud hooldus- ja reguleerimistööd lasta teha Makita volitatud teeninduskeskustes või tehase teeninduskeskustes. Alati tuleb kasutada Makita varuosi.

### Tööriista puhastamine

Tööriista puhastamiseks pühkige sellelt kuiva või seebivette kastetud ja välja väänatud lapiga tolm.

**TÄHELEPANU:** Ärge kunagi kasutage bensiini, vedeldit, alkoholi ega midagi muud sarnast. Selle tulemuseks võib olla luitumine, deformatsioon või pragunemine.

## Lõiketera hooldamine

Enne tööle asumist või töö käigus kord tunnis kandke lõiketeradele väikese viskoossusega õli (masinaõli või pihustatav määrdeõli).

► Joon.27

Pärast kasutamist eemaldage lõiketerade mõlemalt küljelt traatharjaga tolm, pühkige see lapiga ära ja seejärel kandke teradele väikese viskoossusega õli (masinaõli või pihustatav määrdeõli).

► Joon.28

**TÄHELEPANU:** Ärge peske lõiketerasid vees.

Eiramise korral võib tööriist roostetada või viga saada.

**TÄHELEPANU:** Mustus ja korrosioon põhjustavad terade ülemäärast hõõrdumist ning lühendada tööaega aku laadimiskorra kohta.

## Hoiustamine

Kinnitage terakate lõiketeradele nii, et terad ei paistaks välja. Hoidke tööriista lastele kättesaamatus kohas. Hoidke tööriista kohas, kuhu ei pääse niiskust ega vihma.

## VEAOTSING

Enne remonditöökotta pöördumist kontrollige niidukit ise. Ärge üritage niidukit lahti võtta, kui leiate probleemi, mida kasutusjuhendis ei kirjeldata. Selle asemel pöörduge Makita volitatud teeninduskeskusesse, kus kasutatakse remonitisel alati Makita tagavaraosi.

Tõrge	Võimalik põhjus (riike)	Lahendus
Mootor ei tööta.	Akukassett ei ole paigaldatud.	Paigaldage akukassett.
	Akuga seotud probleem (alapinge)	Laadige aku. Kui laadimine ei anna tulemust, vahetage aku välja.
	Veosüsteem ei tööta korralikult.	Paluge volitatud teeninduskeskuses teha parandustööd.
Mootor lakkab töötamast pärast vähest kasutamist või mootor ei tööta.	Aku laetustase on madal.	Laadige aku. Kui laadimine ei anna tulemust, vahetage aku välja.
	Ülekuumenemine.	Lõpetage tööriista kasutamine ja laske sel maha jahtuda.
Tööriist ei saavuta maksimaalset pöörlemiskiirust.	Aku ei ole õigesti paigaldatud.	Paigaldage akukassett juhendis kirjeldatud viisil.
	Aku võimsus langeb.	Laadige aku. Kui laadimine ei anna tulemust, vahetage aku välja.
	Veosüsteem ei tööta korralikult.	Paluge volitatud teeninduskeskuses teha parandustööd.
Lõiketerad ei liigu: ⇒ seisake masin viivitamatult!	lõiketerade vale nurk.	Veenduge, et peaosa oleks õige töönurga all korralikult kinnitatud.
	Lõiketerade vahele on jäänud võõrkehi.	Lülitage tööriist välja, eemaldage akukassett ja seejärel eemaldage nt tangidega võõrkehad.
	Veosüsteem ei tööta korralikult.	Paluge volitatud teeninduskeskuses teha parandustööd.
Ebatavaline vibratsioon: ⇒ seisake masin viivitamatult!	Lõiketerad on murdunud, painutatud või kulunud.	Vahetage lõiketerad.
	Veosüsteem ei tööta korralikult.	Paluge volitatud teeninduskeskuses teha parandustööd.
Lõiketerad ja mootor ei seisku: ⇒ eemaldage viivitamatult aku!	elektriline riike.	Eemaldage aku ja paluge kohalikul ametlikul teeninduskeskusel tööriist remontida.

## VALIKULISED TARVIKUD

**▲ETTEVAATUST:** Neid tarvikuid ja lisaseadiseid on soovitatav kasutada koos Makita tööriistaga, mille kasutamist selles kasutusjuhendis kirjeldatakse. Muude tarvikute ja liseseadiste kasutamisega kaasneb vigastada saamise oht. Kasutage tarvikuid ja lisaseadiseid ainult otstarbekohaselt.

- Lõiketera koost
- Laastukoguja
- Aluse määrimine
- Makita algupärane aku ja laadija

**MÄRKUS:** Mõned nimekirjas loetletud tarvikud võivad kuuluda standardvarustusse ning need on lisatud tööriista pakendisse. Need võivad riigiti erineda.

Saate vajaduse korral kohalikust Makita teeninduskeskusest lisateavet nende tarvikute kohta.

## ТЕХНИЧЕСКИЕ ХАРАКТЕРИСТИКИ

Модель:	UN460WD
Длина ножа	460 мм
Рабочая частота	3 600 мин <sup>-1</sup>
Угол режущего лезвия	135° (вверх 60°, вниз 75°)
Общая длина	1 889 - 2 511 мм
Номинальное напряжение	10,8 В – 12 В пост. тока макс.
Масса нетто	2,8 – 3,0 кг

- Благодаря нашей постоянно действующей программе исследований и разработок указанные здесь технические характеристики могут быть изменены без предварительного уведомления.
- Технические характеристики могут различаться в зависимости от страны.
- Масса может отличаться в зависимости от дополнительного оборудования. Обратите внимание, что блок аккумулятора также считается дополнительным оборудованием. В таблице представлены комбинации с наибольшим и наименьшим весом в соответствии с процедурой ЕРТА 01/2014.

### Подходящий блок аккумулятора и зарядное устройство





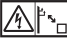
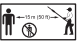
Блок аккумулятора	BL1016 / BL1021B / BL1041B
Зарядное устройство	DC10SA / DC10SB / DC10WC / DC10WD / DC18RE

- В зависимости от региона проживания некоторые блоки аккумуляторов и зарядные устройства, перечисленные выше, могут быть недоступны.

**⚠ ОСТОРОЖНО:** Используйте только перечисленные выше блоки аккумуляторов и зарядные устройства. Использование других блоков аккумуляторов и зарядных устройств может привести к травме и/или пожару.

### Символы

Ниже приведены символы, которые могут использоваться для обозначения оборудования. Перед использованием убедитесь в том, что вы понимаете их значение.

	Прочитайте руководство по эксплуатации.
	Беречь от влаги.
	Надевайте каску, защитные очки и используйте средства защиты слуха.
	ОПАСНО! Держите руки на безопасном расстоянии от режущего диска.
	Остерегайтесь линий электропередач – существует риск поражения электрическим током.
	Соблюдайте дистанцию не менее 15 м.



Только для стран ЕС  
В связи с наличием в оборудовании опасных компонентов отходы электрического и электронного оборудования, аккумуляторы и батареи могут оказывать негативное влияние на окружающую среду и здоровье человека. Не выбрасывайте электрические и электронные устройства или батареи вместе с бытовыми отходами!

В соответствии с директивой ЕС по отходам электрического и электронного оборудования, по аккумуляторам, батареям и отходам аккумуляторов и батарей, а также в соответствии с ее адаптацией к национальному законодательству, отходы электрического оборудования, батареи и аккумуляторы следует хранить отдельно и доставлять на пункт раздельного сбора коммунальных отходов, работающий с соблюдением правил охраны окружающей среды. Это обозначено символом в виде перечеркнутого мусорного контейнера на колесах, нанесенным на оборудование.



Гарантированный уровень звуковой мощности в соответствии с Директивой ЕС по шумам вне помещений.



Уровень звуковой мощности в соответствии с Регламентом Австралии (Новый Южный Уэльс) по контролю за шумом

### Назначение

Инструмент предназначен для подрезки живой изгороди.

## Шум

Типичный уровень взвешенного звукового давления (А), измеренный в соответствии с EN62841-4-2: Уровень звукового давления ( $L_{pA}$ ): 74 дБ (А)  
Погрешность (К): 3 дБ (А)

Уровень шума при выполнении работ может превышать 80 дБ (А).

**ПРИМЕЧАНИЕ:** Заявленное значение распространения шума измерено в соответствии со стандартной методикой испытаний и может быть использовано для сравнения инструментов.

**ПРИМЕЧАНИЕ:** Заявленное значение распространения шума можно также использовать для предварительных оценок воздействия.

**▲ОСТОРОЖНО:** Используйте средства защиты слуха.

**▲ОСТОРОЖНО:** Распространение шума во время фактического использования электроинструмента может отличаться от заявленного значения в зависимости от способа применения инструмента и в особенности от типа обрабатываемой детали.

**▲ОСТОРОЖНО:** Обязательно определите меры безопасности для защиты оператора, основанные на оценке воздействия в реальных условиях использования (с учетом всех этапов рабочего цикла, таких как выключение инструмента, работа без нагрузки и включение).

## Вибрация

Применимый стандарт : EN62841-4-2

Левая рука (передняя рукоятка)		Правая рука (задняя рукоятка)	
$a_h$ ( $m/c^2$ )	Погрешность, К ( $m/c^2$ )	$a_h$ ( $m/c^2$ )	Погрешность, К ( $m/c^2$ )
2,5 $m/c^2$ или менее	1,5	2,5 $m/c^2$ или менее	1,5

**ПРИМЕЧАНИЕ:** Заявленное общее значение распространения вибрации измерено в соответствии со стандартной методикой испытаний и может быть использовано для сравнения инструментов.

**ПРИМЕЧАНИЕ:** Заявленное общее значение распространения вибрации можно также использовать для предварительных оценок воздействия.

**▲ОСТОРОЖНО:** Распространение вибрации во время фактического использования электроинструмента может отличаться от заявленного значения в зависимости от способа применения инструмента и в особенности от типа обрабатываемой детали.

**▲ОСТОРОЖНО:** Обязательно определите меры безопасности для защиты оператора, основанные на оценке воздействия в реальных условиях использования (с учетом всех этапов рабочего цикла, таких как выключение инструмента, работа без нагрузки и включение).

## Декларация о соответствии ЕС

*Только для европейских стран*

Декларация о соответствии ЕС включена в руководство по эксплуатации (Приложение А).

## МЕРЫ БЕЗОПАСНОСТИ

### Общие рекомендации по технике безопасности для электроинструментов

**▲ОСТОРОЖНО:** Ознакомьтесь со всеми представленными инструкциями по технике безопасности, указаниями, иллюстрациями и техническими характеристиками, прилагаемыми к данному электроинструменту. Несоблюдение каких-либо инструкций, указанных ниже, может привести к поражению электрическим током, пожару и/или серьезной травме.

### Сохраните брошюру с инструкциями и рекомендациями для дальнейшего использования.

Термин "электроинструмент" в предупреждениях относится ко всему инструменту, работающему от сети (с проводом) или на аккумуляторах (без провода).

### Правила техники безопасности при эксплуатации аккумуляторного штангового кустореза

1. **Держитесь на расстоянии от лезвия. Не удаляйте срезанные ветки и не придерживайте ветки, которые собираетесь срезать, когда лезвия находятся в движении.** После выключения устройства лезвия продолжают двигаться. Секундная невнимательность при работе с электрическим кусторезом может привести к тяжелой травме.
2. **Переносите электрический кусторез за ручку после полной остановки лезвия и следите за тем, чтобы не нажать выключатель питания.** Соблюдение мер безопасности при переносе электрического кустореза снизит риск непреднамеренного пуска и получения травм от лезвий.



3. При транспортировке или хранении электрического кустореза надевайте на лезвия чехол. Соблюдение мер безопасности при обращении с электрическим кусторезом снизит риск получения травм от лезвий.
4. При удалении застрявших обрезков или обслуживании инструмента убедитесь в том, что все выключатели питания выключены, аккумуляторный блок извлечен или отсоединен. Неожиданное срабатывание электрического кустореза во время удаления застрявших предметов или обслуживания может привести к тяжелым травмам.
5. Держите электрический кусторез только за специальные изолированные поверхности, поскольку при выполнении работ существует риск контакта лезвия со скрытой электропроводкой. Контакт лезвий с находящимся под напряжением проводом приведет к тому, что на металлические детали электрического кустореза также будет подано напряжение, что приведет к поражению оператора электрическим током.
6. Держите все шнуры питания и кабели на расстоянии от места срезания. Труднозаметные в живых изгородях или кустах шнуры или кабели питания можно случайно разрезать лезвием.
7. Не используйте электрический кусторез в неблагоприятных погодных условиях, особенно когда возможны грозовые разряды. Это снизит риск удара молнией.
8. Чтобы уменьшить риск поражения электрическим током, запрещено использовать штанговый электрический кусторез вблизи линий электропередач. Контакт с линиями электропередач или использование устройства вблизи них может привести к тяжелым травмам или поражению электрическим током с летальным исходом.
9. Во время работы штанговый электрический кусторез следует держать двумя руками. Во избежание потери контроля держите штанговый электрический кусторез двумя руками.
10. При работе со штанговым электрическим кусторезом над головой надевайте средства защиты головы. Падающие обломки могут привести к тяжелым травмам.
3. Электрическим кусторезом не должны пользоваться дети или лица, не достигшие 18-летнего возраста. Лица старше 16 лет могут не подпадать под действие этого ограничения в случае, если они проходят обучение под надзором специалиста.
4. При возникновении экстренной ситуации выключите инструмент и немедленно извлеките блок аккумулятора.
5. ОПАСНО - Держите руки на расстоянии от режущего диска. Прикосновение к диску может привести к серьезной травме.
6. В случае использования инструмента впервые необходимо, чтобы опытный специалист показал приемы работы с ним.
7. Перед началом работ убедитесь в отсутствии на рабочем месте проволочных изгородей, камней или других твердых предметов. Они могут повредить лезвия.
8. Используйте электрический кусторез только в том случае, если находитесь в хорошей физической форме. Если вы устали, ваше внимание будет ослаблено. Соблюдайте особую осторожность в конце рабочего дня. Выполняйте все работы спокойно и аккуратно. Пользователь несет ответственность за ущерб, причиненный третьим лицам.
9. Перед началом работы убедитесь, что инструмент находится в исправном состоянии. Проверьте наличие и правильность установки соответствующих защитных ограждений. Электрический кусторез можно использовать только в полностью собранном виде.
10. Избегайте опасных сред. Не используйте инструмент в местах с повышенной влажностью и под дождем. Попавшая в инструмент вода повышает опасность поражения электрическим током.

#### Индивидуальные средства защиты

1. Перчатки из толстой кожи являются обязательной сопутствующей принадлежностью. Обязательно надевайте их при эксплуатации электрического кустореза. Кроме того, обязательно обувайте прочные ботинки с противоскользящими подошвами.
2. Используйте средства защиты органов слуха (например, наушники) во избежание потери слуха.
3. Чтобы защитить себя от разлетающихся обломков и падающих предметов, надевайте защитные очки, шлем и защитные перчатки.
4. Прикасайтесь к лезвиям и регулируйте угол их наклона только в защитных перчатках. Лезвия могут сильно поранить незащищенные руки.

#### Эксплуатация

1. Во время работы инструмент следует держать двумя руками. Удерживание инструмента одной рукой может привести к потере контроля и тяжелой травме.

## Дополнительные инструкции по технике безопасности

### Подготовка

1. ЭЛЕКТРИЧЕСКИЙ КУСТОРЕЗ МОЖЕТ СТАТЬ ПРИЧИНОЙ ТЯЖЕЛЫХ ТРАВМ. Внимательно прочитайте инструкции по эксплуатации, подготовке, техническому обслуживанию, запуску и остановке инструмента. Ознакомьтесь со всеми элементами управления и правилами надлежащего использования инструмента.
2. Перед началом работ с инструментом проверяйте изгороди и кустарники на наличие посторонних предметов, таких как проволочные ограждения или скрытая электропроводка.

2. Во время работы с инструментом всегда следите за тем, чтобы рабочее положение было безопасным и надежным. Не пытайтесь дотянуться инструментом до отдаленных участков, особенно с лестницы. Это очень опасно. Не работайте, стоя на шатких или неустойчивых предметах.
  3. Во время работы с инструментом не используйте одновременно несколько ремней и / или плечевых ремней.
  4. Люди и животные не должны находиться в радиусе 15 м от работающего инструмента. Остановите инструмент, как только увидите, что кто-то подошел ближе.
  5. В случае столкновения режущего узла с каким-либо предметом или возникновении нехарактерного шума или вибрации в инструменте, выключите его, немедленно извлеките блок аккумулятора и подождите, пока движущиеся элементы инструмента останутся. После этого выполните следующие действия:
    - осмотрите устройство на предмет повреждений;
    - проверьте устройство на предмет ослабленных деталей и подтяните их;
    - замените поврежденные детали оригинальными или отремонтируйте их.
  6. Используйте инструмент только по назначению. Не используйте инструмент для каких-либо других целей.
  7. Выключайте инструмент и извлекайте блок аккумулятора:
    - перед очисткой или устранением засорения;
    - перед проверкой, выполнением технического обслуживания или работой с инструментом;
    - перед регулировкой рабочего положения лезвий секатора;
    - перед тем, как оставить инструмент без присмотра.
  8. Перед запуском убедитесь в том, что инструмент расположен правильно в надлежащем положении.
  9. Не используйте инструмент с поврежденными или чрезмерно изношенными лезвиями секатора.
  10. Всегда контролируйте окружающую обстановку и будьте бдительны в отношении возможных опасностей, о которых вы можете не знать из-за шума инструмента.
  11. Во время работы соблюдайте осторожность, чтобы случайно не задеть металлическую ограду или другие твердые предметы. Лезвие сломается и может нанести тяжелые травмы.
  12. Не допускайте случайного запуска. Не переносите инструмент с установленным в него блоком аккумулятора и держа палец на переключателе. При установке блока аккумулятора убедитесь в том, что выключатель выключен.
  13. Поднимая или удерживая инструмент, не беритесь за лезвия или режущие кромки.
  14. Не прилагайте излишних усилий к инструменту. Используя инструмент с расчетной скоростью, вы добьетесь лучших результатов с меньшим риском травмирования.
  15. Не пользуйтесь инструментом во время дождя и в условиях высокой влажности. Электродвигатель не защищен от влаги.
  16. Во время работы крепко удерживайте инструмент.
  17. Не эксплуатируйте инструмент без нагрузки, если в этом нет необходимости.
  18. Перед проверкой лезвий секатора, устранением неисправностей или удалением застрявших в лезвиях секатора посторонних предметов обязательно выключите инструмент и извлеките блок аккумулятора.
  19. Никогда не направляйте лезвия секатора на себя или окружающих.
  20. Если во время работы ножи останавливаются вследствие застревания между ними посторонних предметов, отключите инструмент и извлеките блок аккумулятора, после чего удалите посторонние предметы, например, плоскогубцами. Удаление посторонних предметов руками сопряжено с риском травмирования, поскольку при удалении посторонних предметов ножи могут сместиться.
- Электробезопасность**
1. Избегайте опасных сред. Не используйте инструмент в местах с повышенной влажностью и под дождем. Попавшая в инструмент вода повышает опасность поражения электрическим током.
  2. Не бросайте аккумуляторные блоки в огонь. Они могут взорваться. Уточните местные правила утилизации аккумуляторов.
  3. Не вскрывайте и не разбивайте аккумуляторы. Содержащийся в них электролит очень едкий, вы можете повредить глаза или кожу. При проглатывании это вещество может вызвать отравление.
  4. Не заряжайте аккумулятор под дождем или в местах с повышенной влажностью.
  5. Не заряжайте аккумулятор на улице.
  6. Не касайтесь зарядного устройства, а также штекера и контактов зарядного устройства влажными руками.
- Техническое обслуживание и хранение**
1. В случае остановки инструмента для обслуживания, проверки или для хранения отключите инструмент, извлеките блок аккумулятора и убедитесь в том, что все движущиеся части остановились. Прежде чем проводить какие-либо проверки, выполняйте регулировку и т. д., дайте инструменту остыть.
  2. Перед размещением на хранение дайте инструменту остыть.
  3. Когда инструмент не используется, устанавливайте на лезвие чехол и храните инструмент в сухом запечатом месте на высоте, вне зоны досягаемости детей.

## Важные правила техники безопасности для работы с аккумуляторным блоком

4. Соблюдайте осторожность во время технического обслуживания инструмента. Следите, чтобы режущая кромка была заточенной и чистой для обеспечения максимально эффективной работы и во избежание травм. Следуйте инструкциям по смазке и замене принадлежностей. Рукоятки инструмента всегда должны быть сухими и чистыми, они не должны быть испачканы маслом или смазкой.
5. Проверьте элементы на предмет повреждений. Перед дальнейшим использованием инструмента поврежденную деталь следует тщательно осмотреть, чтобы убедиться в том, что инструмент будет работать нормально и выполнять функции, для которых он предназначен. Убедитесь в соосности, отсутствии повреждений движущихся деталей, надежности крепления и отсутствии других дефектов, которые могут повлиять на работу электроинструмента. Поврежденный кожух или другая деталь должны быть качественно отремонтированы или заменены в авторизованном сервисном центре.
6. Используйте только оригинальные запчасти.
7. Переносите инструмент в другое место (в том числе во время работы), обязательно извлекайте блок аккумулятора и надевайте чехол лезвий на лезвия секатора. Запрещено переносить или перевозить инструмент с движущимися лезвиями. Запрещено брать руками за лезвия.
8. Очищайте инструмент и особенно лезвия секатора после использования, а также перед длительным хранением. Нанесите небольшое количество смазки на лезвия секатора и наденьте на них чехол лезвия.
9. Не бросайте аккумуляторные блоки в огонь. Они могут взорваться. Уточните местные правила утилизации аккумуляторов.
10. Не вскрывайте и не разбирайте аккумуляторы. Содержащийся в них электролит очень едкий, вы можете повредить глаза или кожу. При проглатывании может привести к отравлению.
11. Не заряжайте аккумулятор под дождем или в местах с повышенной влажностью.

## СОХРАНИТЕ ДАННЫЕ ИНСТРУКЦИИ.

**⚠ОСТОРОЖНО:** НЕ ДОПУСКАЙТЕ, чтобы удобство или опыт эксплуатации данного устройства (полученный от многократного использования) доминировали над строгим соблюдением правил техники безопасности при обращении с этим устройством. НЕПРАВИЛЬНОЕ ИСПОЛЬЗОВАНИЕ инструмента или несоблюдение правил техники безопасности, указанных в данном руководстве, может привести к тяжелой травме.

1. Перед использованием аккумуляторного блока прочитайте все инструкции и предупредительные надписи на (1) зарядном устройстве, (2) аккумуляторном блоке и (3) инструменте, работающем от аккумуляторного блока.
2. Не разбирайте блок аккумулятора и не меняйте его конструкцию. Это может привести к пожару, перегреву или взрыву.
3. Если время работы аккумуляторного блока значительно сократилось, немедленно прекратите работу. В противном случае, может возникнуть перегрев блока, что приведет к ожогам и даже к взрыву.
4. В случае попадания электролита в глаза промойте их обильным количеством чистой воды и немедленно обратитесь к врачу. Это может привести к потере зрения.
5. Не замыкайте контакты аккумуляторного блока между собой:
  - (1) Не прикасайтесь к контактам какими-либо токопроводящими предметами.
  - (2) Не храните аккумуляторный блок в контейнере вместе с другими металлическими предметами, такими как гвозди, монеты и т. п.
  - (3) Не допускайте попадания на аккумуляторный блок воды или дождя.Замыкание контактов аккумуляторного блока между собой может привести к возникновению большого тока, перегреву, возможным ожогам и даже поломке блока.
6. Не храните и не используйте инструмент и аккумуляторный блок в местах, где температура может достигать или превышать 50 °C (122 °F).
7. Не бросайте аккумуляторный блок в огонь, даже если он сильно поврежден или полностью вышел из строя. Аккумуляторный блок может взорваться под действием огня.
8. Запрещено вбивать гвозди в блок аккумулятора, резать, ломать, бросать, ронять блок аккумулятора или ударять его твердым предметом. Это может привести к пожару, перегреву или взрыву.
9. Не используйте поврежденный аккумуляторный блок.
10. Входящие в комплект литий-ионные аккумуляторы должны эксплуатироваться в соответствии с требованиями законодательства об опасных товарах. При коммерческой транспортировке, например, третьей стороной или экспедитором, необходимо нанести на упаковку специальные предупреждения и маркировку. В процессе подготовки устройства к отправке обязательно проконсультируйтесь со специалистом по опасным материалам. Также соблюдайте местные требования и нормы. Они могут быть строже. Закройте или закрепите разомкнутые контакты и упакуйте аккумулятор так, чтобы он не перемещался по упаковке.

11. Для утилизации блока аккумулятора извлеките его из инструмента и утилизируйте безопасным способом. Выполняйте требования местного законодательства по утилизации аккумуляторного блока.
12. Используйте аккумуляторы только с продукцией, указанной Makita. Установка аккумуляторов на продукцию, не соответствующую требованиям, может привести к пожару, перегреву, взрыву или утечке электролита.
13. Если инструментом не будет пользоваться в течение длительного периода времени, извлеките аккумулятор из инструмента.
14. Во время и после использования блок аккумулятора может нагреваться, что может стать причиной ожогов или низкотемпературных ожогов. Будьте осторожны при обращении с горячим блоком аккумулятора.
15. Не прикасайтесь к контактам инструмента сразу после использования, поскольку они могут быть достаточно горячими, чтобы вызвать ожоги.
16. Не допускайте, чтобы обломки, пыль или земля прилипали к контактам, отверстиям и пазам на блоке аккумулятора. Это может привести к снижению эксплуатационных параметров, поломке инструмента или блока аккумулятора.
17. Если инструмент не рассчитан на использование вблизи высоковольтных линий электропередач, не используйте блок аккумулятора вблизи высоковольтных линий электропередач. Это может привести к неисправности, поломке инструмента или блока аккумулятора.
18. Храните аккумулятор в недоступном для детей месте.

**▲ВНИМАНИЕ:** Используйте только фирменные аккумуляторные батареи Makita. Использование аккумуляторных батарей, не произведенных Makita, или батарей, которые были подвергнуты модификациям, может привести к взрыву аккумулятора, пожару, травмам и повреждению имущества. Это также автоматически аннулирует гарантию Makita на инструмент и зарядное устройство Makita.

## Советы по обеспечению максимального срока службы аккумулятора

1. Заряжайте блок аккумуляторов перед его полной разрядкой. Обязательно прекратите работу с инструментом и зарядите блок аккумуляторов, если вы заметили снижение мощности инструмента.
2. Никогда не подзаряжайте полностью заряженный блок аккумуляторов. Перезарядка сокращает срок службы аккумулятора.
3. Заряжайте блок аккумуляторов при комнатной температуре в 10 - 40 °C (50 - 104 °F). Перед зарядкой горячего блока аккумуляторов дайте ему остыть.
4. Если блок аккумулятора не используется, извлеките его из инструмента или зарядного устройства.

## СОХРАНИТЕ ДАННЫЕ ИНСТРУКЦИИ.

## ОПИСАНИЕ ДЕТАЛЕЙ

► Рис.1

1	Головка	2	Кнопка регулировки угла	3	Стопорный рычаг	4	Накатная гайка
5	Передняя рукоятка	6	Задняя рукоятка	7	Блок аккумулятора	8	Триггерный переключатель
9	Кнопка разблокировки	10	Лезвие секатора	-	-	-	-

# ОПИСАНИЕ РАБОТЫ

**▲ВНИМАНИЕ:** Перед регулировкой или проверкой функций инструмента обязательно убедитесь, что он выключен и его аккумуляторный блок снят.

## Установка или снятие блока аккумулятора

**▲ВНИМАНИЕ:** Обязательно выключайте инструмент перед установкой и извлечением аккумуляторного блока.

**▲ВНИМАНИЕ:** При установке и извлечении аккумуляторного блока крепко удерживайте инструмент и аккумуляторный блок. Если не соблюдать это требование, они могут выскользнуть из рук, что приведет к повреждению инструмента, аккумуляторного блока и травмированию оператора.

► **Рис.2:** 1. Красный индикатор 2. Кнопка 3. Блок аккумулятора

Для снятия аккумуляторного блока нажмите кнопку на лицевой стороне и извлеките блок.

Для установки блока аккумулятора совместите выступ блока аккумулятора с пазом в корпусе и задвиньте его на место. Устанавливайте блок до упора, чтобы он зафиксировался с небольшим щелчком. Если вы видите красный индикатор, как показано на рисунке, он не зафиксирован полностью.

**▲ВНИМАНИЕ:** Обязательно устанавливайте блок аккумулятора до конца, чтобы красный индикатор не был виден. В противном случае блок аккумулятора может выпасть из инструмента и нанести травму вам или другим людям.

**▲ВНИМАНИЕ:** Не прилагайте чрезмерных усилий при установке аккумуляторного блока. Если блок не двигается свободно, значит он вставлен неправильно.

## Индикация оставшегося заряда аккумулятора

Только для блоков аккумулятора с индикатором

► **Рис.3:** 1. Индикаторы 2. Кнопка проверки

Нажмите кнопку проверки на аккумуляторном блоке для проверки заряда. Индикаторы загорятся на несколько секунд.

Индикаторы		Уровень заряда
Горит	Выкл.	
		от 75 до 100%
		от 50 до 75%
		от 25 до 50%
		от 0 до 25%

**ПРИМЕЧАНИЕ:** В зависимости от условий эксплуатации и температуры окружающего воздуха индикация может незначительно отличаться от фактического значения.

## Система защиты инструмента/аккумулятора

На инструменте предусмотрена система защиты инструмента/аккумулятора. Она автоматически отключает питание двигателя для продления срока службы инструмента и аккумулятора. Инструмент автоматически остановится во время работы в следующих случаях:

### Перегрузка:

В текущем режиме эксплуатации инструмент потребляет очень большой ток. В этом случае выключите инструмент и прекратите работу, из-за которой произошла перегрузка инструмента. Затем включите инструмент для перезапуска.

Если инструмент не выключается, значит, аккумулятор перегрелся. В этом случае дайте аккумулятору остыть перед повторным включением инструмента.

### Низкое напряжение аккумуляторной батареи:

Уровень заряда аккумулятора слишком низкий, и инструмент не работает. При включении инструмента электродвигатель запускается и вскоре останавливается. В этом случае снимите и зарядите аккумулятор.

## Действие выключателя

**▲ОСТОРОЖНО:** Перед установкой аккумуляторного блока в инструмент обязательно убедитесь, что его триггерный переключатель нормально работает и возвращается в положение "OFF" (ВЫКЛ) при отпуске.

**▲ОСТОРОЖНО:** Для обеспечения вашей безопасности данный инструмент оборудован кнопкой разблокировки, которая предотвращает его непреднамеренное включение. Запрещается использовать инструмент, если он включается при простом нажатии на триггерный переключатель без нажатия на кнопку разблокировки. Обратитесь в местный сервисный центр Makita для ремонта.

**▲ОСТОРОЖНО:** Запрещается отключать функцию блокировки или фиксировать кнопку разблокировки в нажатом положении с помощью посторонних предметов.

**ПРИМЕЧАНИЕ:** Не нажимайте на триггерный переключатель до нажатия на кнопку разблокировки. Избегайте излишне сильного нажатия. Переключатель может сломаться.

► **Рис.4:** 1. Кнопка разблокировки 2. Триггерный переключатель

Для предотвращения непреднамеренного включения триггерного переключателя имеется кнопка разблокировки.

Для запуска инструмента, отпустите кнопку блокировки, затем потяните триггерный переключатель. Отпустите триггерный переключатель для остановки. Кнопку разблокировки можно нажимать как с левой, так и с правой стороны.

## Регулировка угла срезания

**ВНИМАНИЕ:** Перед тем, как сложить или разложить головку, убедитесь в том, что инструмент выключен.

**ВНИМАНИЕ:** При складывании головки для переноски инструмента или после его использования не забудьте надеть чехол на лезвие, прежде чем сложить головку.

**ВНИМАНИЕ:** При складывании головки будьте осторожны, чтобы не защемить пальцы между головкой и корпусом инструмента.

Угол головки можно отрегулировать в пределах 10 положений. Для изменения угла головки выполните указанные далее действия.

1. Удерживайте головку и корпус инструмента, как показано на рисунке.

► **Рис.5:** 1. Головка 2. Кнопка регулировки угла

2. Отрегулируйте угол наклона головки, удерживая нажатой кнопку регулировки угла, а затем отпустите кнопку регулировки угла.

3. Слегка сдвиньте головку, пока она не зафиксируется со щелчком.

**ПРИМЕЧАНИЕ:** Перед включением инструмента убедитесь в том, что головка надежно зафиксирована.

## Регулировка длины трубки

**ВНИМАНИЕ:** Перед регулировкой длины трубки убедитесь в том, что инструмент выключен.

**ВНИМАНИЕ:** При регулировке длины трубки не забудьте прикрепить кожух ножа, перед тем как приступить к регулировке длины трубки.

**ВНИМАНИЕ:** При регулировке длины трубки будьте осторожны, чтобы не защемить пальцы.

**ВНИМАНИЕ:** Убедитесь, что стопорный рычаг надежно заблокирован.

**ВНИМАНИЕ:** При регулировке длины трубки положите инструмент на бок. Если инструмент будет находиться в вертикальном положении, его головка может неожиданно опуститься и привести к травме.

Ослабьте стопорный рычаг и отрегулируйте длину трубки, после чего заблокируйте стопорный рычаг.

► **Рис.6:** 1. Стопорный рычаг

## Регулировка положения передней рукоятки

**ВНИМАНИЕ:** Перед регулировкой положения передней рукоятки убедитесь в том, что инструмент выключен.

**ВНИМАНИЕ:** При регулировке положения передней рукоятки будьте осторожны, чтобы не защемить пальцы.

**ВНИМАНИЕ:** Убедитесь в том, что накатная гайка надежно затянута.

**ВНИМАНИЕ:** Не перемещайте переднюю рукоятку за пределы отметки в виде стрелки.

Для регулировки положения передней рукоятки ослабьте накатную гайку, повернув ее против часовой стрелки; отрегулируйте положение передней рукоятки, а затем затяните накатную гайку, повернув ее по часовой стрелке.

► **Рис.7:** 1. Накатная гайка 2. Стрелка

## СБОРКА

**ВНИМАНИЕ:** Перед проведением каких-либо работ с инструментом обязательно убедитесь, что инструмент отключен, а блок аккумулятора снят.

**ВНИМАНИЕ:** При замене лезвий секатора обязательно надевайте перчатки, чтобы не касаться лезвий руками.

## Установка или снятие лезвий секатора

**ВНИМАНИЕ:** Установите чехол лезвия перед тем, как снимать или устанавливать режущие ножи.

**ПРИМЕЧАНИЕ:** При замене режущих ножей не удаляйте смазочный материал с редуктора или кривошипа.

**ПРИМЕЧАНИЕ:** Перед установкой или удалением лезвий секатора разложите головку инструмента таким образом, чтобы она располагалась прямо относительно корпуса инструмента.

1. Переверните инструмент.

2. Открутите 4 винта отверткой и снимите режущие ножи.

► **Рис.8:** 1. Винт

3. Снимите кривошип с режущих ножей.

► **Рис.9:** 1. Кривошип

**ПРИМЕЧАНИЕ:** Кривошип можно оставить в инструменте.

4. Подготовьте кривошип и новые режущие ножи.

► **Рис.10:** 1. Кривошип 2. Режущие ножи



5. Снимите чехол лезвия и наденьте его на новые лезвия секатора.

6. Нанесите немного смазочного материала на внешний край кривошипа. Прикрепите шайбу, зубчатое колесо и кривошип к штифту по порядку.

► **Рис.11:** 1. Кривошип 2. Зубчатое колесо  
3. Шайба 4. Штифт

7. Отрегулируйте кривошип таким образом, чтобы 2 малых отверстия на нем находились на одной линии совмещения, как показано на рисунке.

► **Рис.12:** 1. Линия совмещения 2. Малое отверстие

8. Сдвиньте режущие ножи таким образом, чтобы отверстие на направляющей пластине располагалось по центру колец режущих ножей.

► **Рис.13:** 1. Направляющая пластина

9. Вставьте винт, извлеченный на шаге 2, в отверстие на режущих ножах через отверстие на кожухе ножа.

► **Рис.14:** 1. Отверстие

10. Прикрепите режущие ножи к инструменту, а затем затяните 3 винта отверткой.

► **Рис.15:** 1. Винт

11. Выкрутите винт, вставленный в отверстие на режущих ножах на шаге 9, и затяните, чтобы закрепить режущие ножи.

**ПРИМЕЧАНИЕ:** При неправильной работе режущих ножей они не будут правильным образом взаимодействовать с кривошипом. Снимите режущие ножи и повторно установите их.

**ПРИМЕЧАНИЕ:** В случае износа каких-либо деталей инструмента (кроме лезвий секатора), например кривошипа, обратитесь в авторизованный сервисный центр Makita для их замены или ремонта.

## Установка или снятие сборника обрезков

### Дополнительные принадлежности

**ВНИМАНИЕ:** При установке или снятии сборника обрезков всегда надевайте перчатки, чтобы не касаться лезвий руками.

**ВНИМАНИЕ:** Перед установкой или снятием сборника обрезков прикрепите кожух ножа.

Срезанные листья попадают в сборник обрезков, что облегчает уборку после проведения работ. Его можно установить с любой из двух сторон инструмента.

1. Совместите отверстия на сборнике обрезков с гайками на режущих ножах.

► **Рис.16:** 1. Гайка

2. Закрепите захваты сборника обрезков в канавке на режущих ножах.

► **Рис.17:** 1. Захват 2. Канавка

3. Нажмите на рычаги на сборнике обрезков, а затем закрепите захваты с другой стороны в канавке на режущих ножах.

► **Рис.18:** 1. Рычаг

Для снятия сборника обрезков нажмите на рычаги, чтобы освободить захваты.

► **Рис.19:** 1. Рычаг

**ПРИМЕЧАНИЕ:** Не пытайтесь снять сборник обрезков, применяя излишнее усилие, если захваты вошли в канавки на режущих ножах.

## ЭКСПЛУАТАЦИЯ

### Эксплуатация инструмента

**ОСТОРОЖНО:** Не используйте инструмент вблизи линий электропередач. Контакт с линиями электропередач или использование инструмента вблизи линий электропередач может привести к тяжелым травмам или поражению электрическим током с летальным исходом.

**ОСТОРОЖНО:** Держите руки на расстоянии от лезвий секатора.

**ОСТОРОЖНО:** Соблюдайте особую осторожность, чтобы сохранять контроль над инструментом во время работы. Не допускайте отклонения инструмента по направлению к вам или к другим людям, находящимся поблизости. Несоблюдение данного требования может привести к серьезным травмам посторонних лиц или оператора.

**ВНИМАНИЕ:** По возможности не используйте инструмент в жаркую погоду. При работе с инструментом учитывайте свое физическое состояние.

**ВНИМАНИЕ:** Соблюдайте осторожность, чтобы во время работы случайно не задеть металлическую ограду или другие твердые предметы. Лезвия секатора могут сломаться или нанести серьезную травму.

**ВНИМАНИЕ:** Соблюдайте осторожность, чтобы не допустить соприкосновения режущих ножей с землей. Инструмент может причинить серьезную травму из-за отдачи.

**ВНИМАНИЕ:** Не пытайтесь дотянуться инструментом до отдаленных веток, особенно с лестницы. Это очень опасно. Во время работы не стойте на шатких или неустойчивых предметах.

**ПРИМЕЧАНИЕ:** Не пытайтесь с помощью этого инструмента резать ветки толще 10 мм в диаметре. Перед использованием этого инструмента обрежьте ветки до высоты на 10 см ниже, чем высота срезания, с помощью веткорезов.

► **Рис.20:** (1) Высота срезания (2) 10 см



**ПРИМЕЧАНИЕ:** Не срезайте сухие деревья или аналогичные твердые объекты. Невыполнение этого требования может привести к повреждению инструмента.

**ПРИМЕЧАНИЕ:** Не подрезайте траву или сорняки лезвиями секатора. Лезвия секатора могут запутаться в траве или сорняках.

Держите инструмент двумя руками, удерживая его за переднюю и заднюю рукоятки.

► **Рис.21:** 1. Передняя рукоятка 2. Задняя рукоятка

Нажмите триггерный переключатель, одновременно нажимая кнопку разблокировки, и переместите инструмент вперед.

► **Рис.22**

Для работы в обычном режиме наклоните лезвия секатора в направлении резания, плавно и медленно перемещайте инструмент в направлении резания со скоростью один метр за 3 – 4 секунды.

► **Рис.23**

Чтобы ровно обрезать боковую часть живой изгороди, рекомендуется резать снизу вверх.

► **Рис.24**

Если вы хотите при стрижке придать объекту (например, кусту самшита, рододендрону и т. п.) шарообразную форму, выполняйте стрижку снизу вверх, начиная с основания. Так вам будет легче добиться желаемого результата.

► **Рис.25**

Если к лезвиям секатора присоединен сборник обрезков, то срезанные листья будут скапливаться в нем, что, в свою очередь, облегчит уборку после проведения работ.

► **Рис.26**

## ОБСЛУЖИВАНИЕ

**⚠ ВНИМАНИЕ:** Перед проведением проверки или работ по техобслуживанию всегда проверяйте, что инструмент выключен, а блок аккумуляторов снят.

**⚠ ВНИМАНИЕ:** Во время осмотра или технического обслуживания инструмента обязательно кладите его. Сборка или регулировка инструмента в вертикальном положении может привести к тяжелой травме.

Для обеспечения БЕЗОПАСНОСТИ и НАДЕЖНОСТИ оборудования ремонт, любое другое техобслуживание или регулировку необходимо производить в уполномоченных сервис-центрах Makita или сервис-центрах предприятия с использованием только сменных частей производства Makita.

## Очистка инструмента

При выполнении очистки инструмента требуется вытирать пыль сухой либо смоченной мыльной водой и выжатой тканью.

**ПРИМЕЧАНИЕ:** Запрещается использовать бензин, растворители, спирт и другие подобные жидкости. Это может привести к обесцвечиванию, деформации и трещинам.

## Техническое обслуживание лезвия секатора

Перед началом или после каждого часа эксплуатации наносите смазочный материал низкой вязкости (машинное масло или смазочное масло в виде спрея) на лезвия секатора.

► **Рис.27**

После завершения работ необходимо проволочной щеткой очистить обе стороны лезвий секатора от пыли, протереть их тканью, а затем нанести смазочный материал низкой вязкости (машинное масло или смазочное масло в виде спрея) на лезвия секатора.

► **Рис.28**

**ПРИМЕЧАНИЕ:** Не промывайте лезвия секатора водой. Это может привести к повреждению инструмента или появлению на нем ржавчины.

**ПРИМЕЧАНИЕ:** Грязь и коррозия приводят к чрезмерному трению лезвия и уменьшают срок работы от одного заряда аккумулятора.

## Хранение

Наденьте чехол для лезвия на режущие ножи, чтобы они не подвергались внешним воздействиям. Храните инструмент в недоступном для детей месте. Не допускайте попадания на инструмент воды или дождя.

# ПОИСК И УСТРАНЕНИЕ НЕИСПРАВНОСТЕЙ

Прежде чем обращаться по поводу ремонта, проведите осмотр самостоятельно. Если обнаружена неисправность, не указанная в руководстве, не пытайтесь разобрать инструмент. Обратитесь в один из авторизованных сервисных центров Makita, в которых для ремонта всегда используются оригинальные детали Makita.

Состояние неисправности	Возможная причина (неисправности)	Способ устранения
Не работает электромотор.	Не вставлен блок аккумулятора.	Установите блок аккумулятора.
	Неисправен аккумулятор (под напряжением)	Зарядите аккумулятор. Если перезарядка не помогает, замените аккумулятор.
	Привод работает неправильно.	Обратитесь в местный авторизованный центр для ремонта.
Двигатель останавливается после непродолжительного использования или вовсе не запускается.	Низкий уровень заряда аккумулятора.	Зарядите аккумулятор. Если перезарядка не помогает, замените аккумулятор.
	Перегрев.	Прекратите работу и дайте инструменту остыть.
Инструмент не достигает максимальной частоты вращения.	Неправильно установлен аккумулятор.	Вставьте блок аккумулятора, как описано в этом руководстве.
	Заряд аккумулятора падает.	Зарядите аккумулятор. Если перезарядка не помогает, замените аккумулятор.
	Привод работает неправильно.	Обратитесь в местный авторизованный центр для ремонта.
Лезвия секатора не двигаются: ⇒ немедленно выключите машину!	Недопустимый угол наклона лезвий секатора.	Убедитесь в том, что головка правильно зафиксирована под рабочим углом.
	Посторонние предметы застряли между лезвиями секатора.	Выключите инструмент и извлеките блок аккумулятора, а затем удалите посторонние предметы подходящими инструментами, например плоскогубцами.
	Привод работает неправильно.	Обратитесь в местный авторизованный центр для ремонта.
Сильная вибрация: ⇒ немедленно выключите машину!	Лезвия секатора сломаны, согнуты или изношены.	Замените лезвия секатора.
	Привод работает неправильно.	Обратитесь в местный авторизованный центр для ремонта.
Лезвия секатора и двигатель не останавливаются. ⇒ Немедленно извлеките аккумулятор!	Неисправность электрической части.	Извлеките аккумулятор и обратитесь в местный авторизованный сервисный центр для ремонта.

## ДОПОЛНИТЕЛЬНЫЕ ПРИНАДЛЕЖНОСТИ

**⚠ ВНИМАНИЕ:** Данные принадлежности или приспособления рекомендуются для использования с инструментом Makita, указанным в настоящем руководстве. Использование других принадлежностей или приспособлений может привести к получению травмы. Используйте принадлежность или приспособление только по указанному назначению.

Если вам необходимо содействие в получении дополнительной информации по этим принадлежностям, свяжитесь с вашим сервис-центром Makita.

- Лезвие в сборе
- Сборник обрезков
- Резервуар для смазки
- Оригинальный аккумулятор и зарядное устройство Makita

**ПРИМЕЧАНИЕ:** Некоторые элементы списка могут входить в комплект инструмента в качестве стандартных приспособлений. Они могут отличаться в зависимости от страны.

**Makita Europe N.V.** Jan-Baptist Vinkstraat 2,  
3070 Kortenberg, Belgium

**Makita Corporation** 3-11-8, Sumiyoshi-cho,  
Anjo, Aichi 446-8502 Japan

[www.makita.com](http://www.makita.com)

885883-982  
EN, SV, NO, FI, DA,  
LV, LT, ET, RU  
20210225