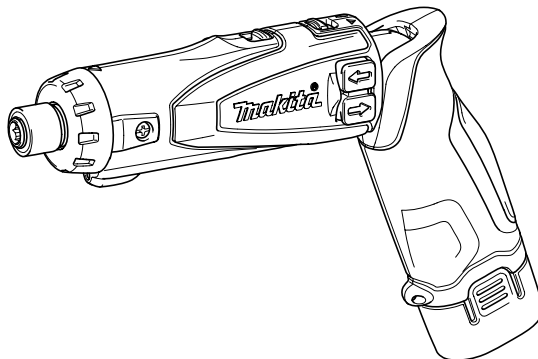
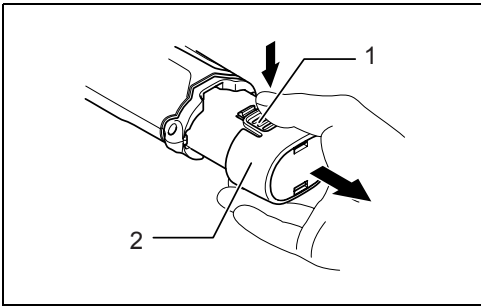




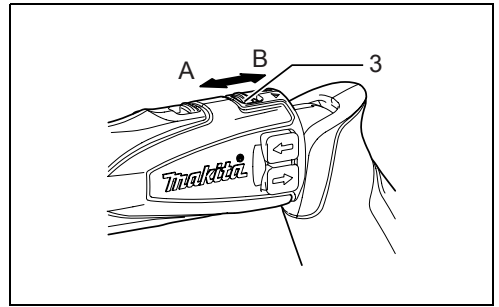
GB	In-line Cordless Driver Drill	Instruction manual
F	Perceuse-visseuse sans fil	Manuel d'instructions
D	Akku-Knickschrauber	Betriebsanleitung
I	Trapano avvitatore in linea a batterie	Istruzioni per l'uso
NL	Rechte accuschroef-boormachine	Gebruiksaanwijzing
E	Taladro-atornillador a batería en línea	Manual de instrucciones
P	Perfuradora sem fios em linha	Manual de instruções
DK	Kabelfri inline-boremaskine	Brugsanvisning
GR	Ευθύ δραπενοκατσάβιδο μπαταρίας	Οδηγίες χρήσης

DF010D

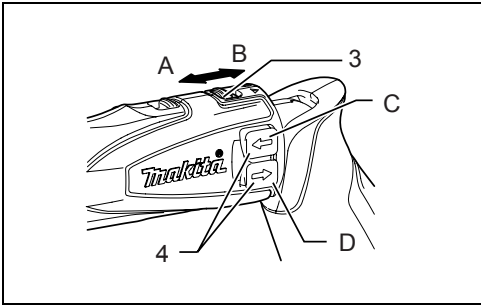




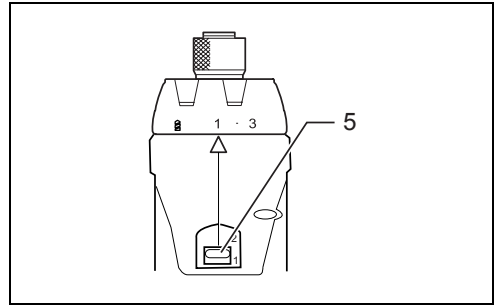
1



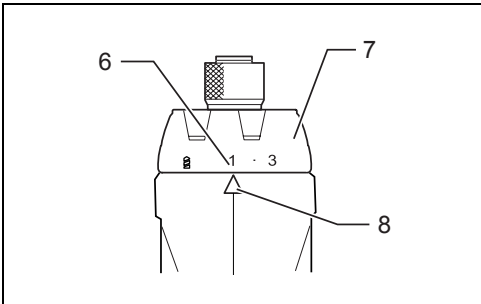
2



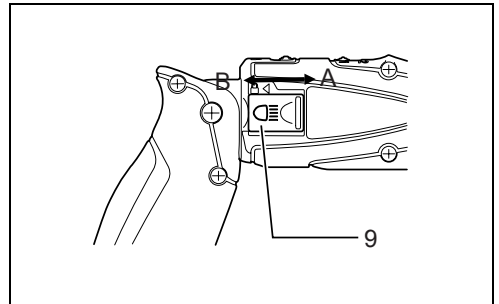
3



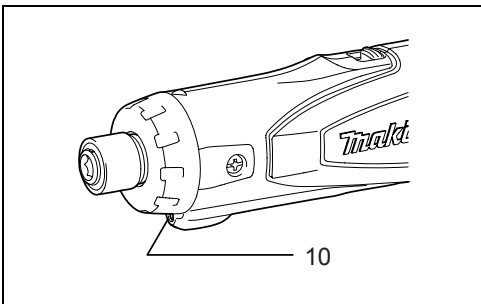
4



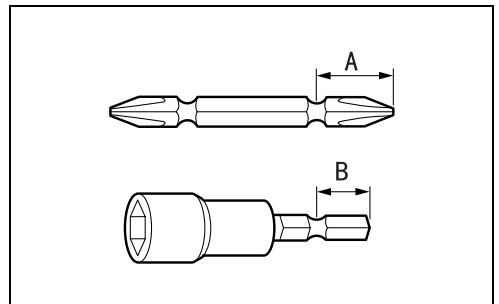
5



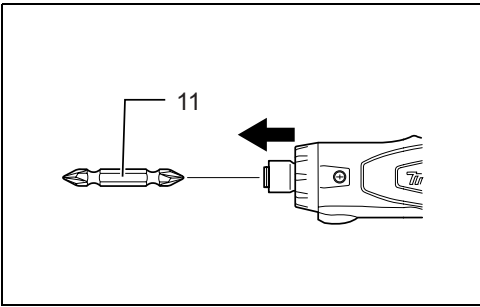
6



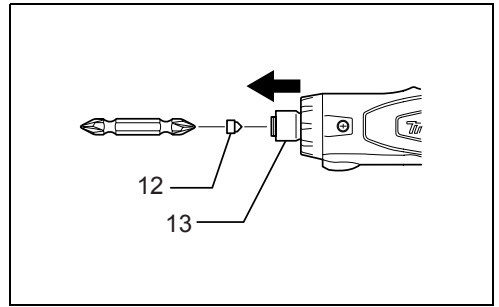
7



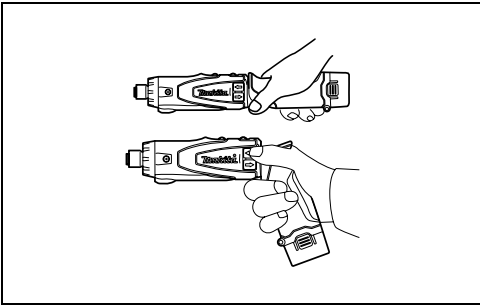
8



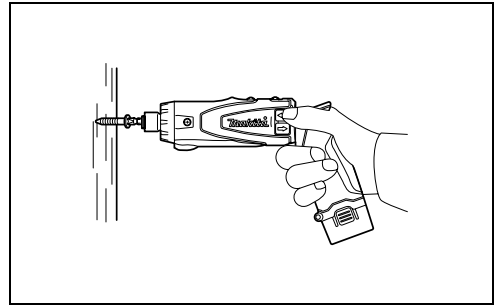
9



10



11



12

Explanation of general view

- | | | |
|-----------------------|-------------------|---------------|
| 1. Button | 6. Graduation | 11. Bit |
| 2. Battery cartridge | 7. Adjusting ring | 12. Bit-piece |
| 3. Lock button | 8. Pointer | 13. Sleeve |
| 4. Switch | 9. Lamp switch | |
| 5. Speed change lever | 10. Lamp | |

SPECIFICATIONS

Model		DF010D
Capacities	Steel	5 mm
	Wood	6 mm
	Wood screw	Φ3.8 mm x 45 mm
	Machine screw	M5
No load speed (min ⁻¹)	High (2)	650
	Low (1)	200
Overall length	Straight type	279 mm
	Pistol type	224 mm
Net weight		0.55 kg
Rated voltage		D.C. 7.2 V

- Due to our continuing programme of research and development, the specifications herein are subject to change without notice.
- Note: Specifications may differ from country to country.

Intended use ENE034-1

The tool is intended for drilling and screw driving in wood, metal and plastic.

SPECIFIC SAFETY RULES GEB002-2

DO NOT let comfort or familiarity with product (gained from repeated use) replace strict adherence to drill safety rules. If you use this power tool unsafely or incorrectly, you can suffer serious personal injury.

1. **Hold power tools by insulated gripping surfaces when performing an operation where the cutting tool may contact hidden wiring or its own cord.** Contact with a “live” wire will make exposed metal parts of the tool “live” and shock the operator.
2. **Always be sure you have a firm footing. Be sure no one is below when using the tool in high locations.**
3. **Hold the tool firmly.**
4. **Keep hands away from rotating parts.**
5. **Do not leave the tool running. Operate the tool only when hand-held.**
6. **Do not touch the drill bit or the workpiece immediately after operation; they may be extremely hot and could burn your skin.**
7. **Some material contains chemicals which may be toxic. Take caution to prevent dust inhalation and skin contact. Follow material supplier safety data.**

SAVE THESE INSTRUCTIONS.

WARNING:

MISUSE or failure to follow the safety rules stated in this instruction manual may cause serious personal injury.

IMPORTANT SAFETY INSTRUCTIONS ENC007-2


FOR BATTERY CARTRIDGE

1. **Before using battery cartridge, read all instructions and cautionary markings on (1) battery charger, (2) battery, and (3) product using battery.**
2. **Do not disassemble battery cartridge.**
3. **If operating time has become excessively shorter, stop operating immediately. It may result in a risk of overheating, possible burns and even an explosion.**
4. **If electrolyte gets into your eyes, rinse them out with clear water and seek medical attention right away. It may result in loss of your eyesight.**
5. **Do not short the battery cartridge:**
 - (1) **Do not touch the terminals with any conductive material.**
 - (2) **Avoid storing battery cartridge in a container with other metal objects such as nails, coins, etc.**
 - (3) **Do not expose battery cartridge to water or rain. A battery short can cause a large current flow, overheating, possible burns and even a breakdown.**

6. **Do not store the tool and battery cartridge in locations where the temperature may reach or exceed 50 °C (122 °F).**
7. **Do not incinerate the battery cartridge even if it is severely damaged or is completely worn out. The battery cartridge can explode in a fire.**
8. **Be careful not to drop or strike battery.**

⇒ D side for the counterclockwise rotation Release the switch to stop.

CAUTION:

- Always check the direction of rotation before operation.
- Change the direction only after the tool comes to a complete stop. Changing the direction of rotation before the tool stops may damage the tool.
- When not operating the tool, always place the lock button in the locked position .

SAVE THESE INSTRUCTIONS.

Tips for maintaining maximum battery life

1. **Charge the battery cartridge before completely discharged. Always stop tool operation and charge the battery cartridge when you notice less tool power.**
2. **Never recharge a fully charged battery cartridge. Overcharging shortens the battery service life.**
3. **Charge the battery cartridge with room temperature at 10 °C - 40 °C (50 °F - 104 °F). Let a hot battery cartridge cool down before charging it.**

Speed change (Fig. 4)

To change the speed, first switch off the tool and then slide the speed change lever to the “2” side for high speed or “1” side for low speed. Be sure that the speed change lever is set to the correct position before operation. Use the right speed for your job.

CAUTION:

- Always set the speed change lever fully to the correct position. If you operate the tool with the speed change lever positioned halfway between the “1” side and “2” side, the tool may be damaged.
- Do not use the speed change lever while the tool is running. The tool may be damaged.

FUNCTIONAL DESCRIPTION


CAUTION:


- Always be sure that the tool is switched off and the battery cartridge is removed before adjusting or checking function on the tool.

Installing or removing battery cartridge (Fig. 1)

- Always switch off the tool before insertion or removal of the battery cartridge.
- To remove the battery cartridge, withdraw it from the tool while pressing the buttons on both sides of the cartridge.
- To insert the battery cartridge, align the tongue on the battery cartridge with the groove in the housing and slip it into place. Always insert it all the way until it locks in place with a little click. If not, it may accidentally fall out of the tool, causing injury to you or someone around you.
- Do not use force when inserting the battery cartridge. If the cartridge does not slide in easily, it is not being inserted correctly.

Adjusting the fastening torque (Fig. 5)

The fastening torque can be adjusted in 21 steps by turning the adjusting ring so that its graduations are aligned with the pointer on the tool body. The fastening torque is minimum when the number 1 is aligned with the pointer, and maximum when the  marking is aligned with the pointer.

The clutch will slip at various torque levels when set at the number 1 to 21. The clutch is designed not to slip at the  marking.

Before actual operation, drive a trial screw into your material or a piece of duplicate material to determine which torque level is required for a particular application.

Lock button (Fig. 2)

When the lock button is in the locked position B, the switch cannot be actuated.

When the lock button is in the unlocked position A, the switch can be actuated.


Switch action (Fig. 3)

CAUTION:

- Before inserting the battery cartridge into the tool, always check to see that the switch actuates properly and returns to the “OFF” position when released.

To start the tool, first move the lock button to the unlocked position A to release the switch. And then simply push the switch on the ⇐ C side for the clockwise rotation and the

Guideline for clutch auto-stop

Work range of clutch auto-stop		Increments on adjusting ring for fastening torque	Fastening torque
High speed	Low speed		
Clutch auto-stop works		1	Approx. 0.3 N·m (Approx. 3 Kgf·cm)
		5	Approx. 0.82 N·m (Approx. 8.4 Kgf·cm)
		9	Approx. 1.35 N·m (Approx. 13.8 Kgf·cm)
		13	Approx. 1.88 N·m (Approx. 19.2 Kgf·cm)
		17	Approx. 2.41 N·m (Approx. 24.6 Kgf·cm)
		21	Approx. 2.9 N·m (Approx. 30 Kgf·cm)
Clutch auto-stop does not work		Low speed Approx. 5 N·m (Approx. 49 Kgf·cm)	
		High speed Approx. 1.5 N·m (Approx. 14.7 Kgf·cm)	

When driving machine screws	Increments	Guideline for machine screw diameter
	1 - 3	2.5 mm
	4 - 8	3 mm
	9 - 18	4 mm
	19 - 21	5 mm

Lighting up the front lamp (Fig. 6 & 7)

CAUTION:

- Do not look in the light or see the source of light directly.

To turn on the light, slide the lamp switch to the A position.
To turn off the light, slide the lamp switch to the B position.
Even if you leave the lamp on, the light will automatically turn off after 5 minutes.

Checking the remaining battery capacity, auto-stop

The lamp signals by flickering when the battery power is almost used up during use.

At this time, recharge the battery or replace the battery with a fully charged one.

ASSEMBLY

CAUTION:

- Always be sure that the lock button is in the locked position B and the battery cartridge is removed before carrying out any work on the tool.

Installing or removing driver bit or socket bit (Fig. 8)

Use only the driver bit or socket bit shown in the figure.

Do not use any other driver bit or socket bit.

For European and North & South American countries, Australia and New Zealand

A=12mm B=9mm	Use only these type of bit. Follow the procedure (1). (Note) Bit-piece is not necessary.
-----------------	---

For other countries

A=17 mm B=14 mm	To install these types of bits, follow the procedure (1). (Note) Makita bits are these types.
A=12 mm B=9 mm	To install these types of bits, follow the procedure (2). (Note) Bit-piece is necessary for installing the bit.

- To install the bit, pull the sleeve in the direction of the arrow and insert the bit into the sleeve as far as it will go. Then release the sleeve to secure the bit. (Fig. 9)
- To install the bit, pull the sleeve in the direction of the arrow and insert the bit-piece and bit into the sleeve as far as it will go. The bit-piece should be inserted into the sleeve with its pointed end facing in. Then release the sleeve to secure the bit. (Fig. 10)

To remove the bit, pull the sleeve in the direction of the arrow and pull the bit out firmly.

NOTE:

- If the bit is not inserted deep enough into the sleeve, the sleeve will not return to its original position and the bit will not be secured. In this case, try re-inserting the bit according to the instructions above.

OPERATION

The tool can be used in two ways; a straight type and a pistol type which is selectable according to the conditions of workplace and screwdriving. (Fig. 11)

Screwdriving operation (Fig. 12)

CAUTION:

- Adjust the adjusting ring to the proper torque level for your work.

Place the point of the driver bit in the screw head and apply pressure to the tool. Then switch the tool on. When the clutch cuts in, the motor will stop automatically. Then release the switch.

CAUTION:


- Make sure that the driver bit is inserted straight in the screw head, or the screw and/or bit may be damaged.

NOTE:

- When driving wood screws, predrill pilot holes to make driving easier and to prevent splitting of the workpiece. See the chart.

Nominal diameter of wood screw (mm)	Recommended size of pilot hole (mm)
3.1	2.0 - 2.2
3.5	2.2 - 2.5
3.8	2.5 - 2.8
4.5	2.9 - 3.2
4.8	3.1 - 3.4
5.1	3.3 - 3.6
5.5	3.7 - 3.9
5.8	4.0 - 4.2
6.1	4.2 - 4.4

Drilling operation

First, turn the adjusting ring so that the pointer points to the  marking. Then proceed as follows.

Drilling in wood

When drilling in wood, the best results are obtained with wood drills equipped with a guide screw. The guide screw makes drilling easier by pulling the bit into the workpiece.

Drilling in metal

To prevent the bit from slipping when starting a hole, make an indentation with a center-punch and hammer at the point to be drilled. Place the point of the bit in the indentation and start drilling.

Use a cutting lubricant when drilling metals. The exceptions are iron and brass which should be drilled dry.

CAUTION:

- Pressing excessively on the tool will not speed up the drilling. In fact, this excessive pressure will only serve to damage the tip of your bit, decrease the tool performance and shorten the service life of the tool.
- There is a tremendous force exerted on the tool/bit at the time of hole break through. Hold the tool firmly and exert care when the bit begins to break through the workpiece.
- A stuck bit can be removed simply by setting the reversing switch to reverse rotation in order to back out. However, the tool may back out abruptly if you do not hold it firmly.
- Always secure small workpieces in a vise or similar hold-down device.
- If the tool is operated continuously until the battery cartridge has discharged, allow the tool to rest for 15 minutes before proceeding with a fresh battery.

Using the tool as a hand screwdriver (Fig. 13)

Switch off the tool.

Move the lock button to the locked position A.

Turn the tool.

NOTE:

- Use the tool with a fastening torque less than 5 Nm (50 kgf.cm).
- This use is convenient for checking the screwdriving.

- Do not use the tool for work requiring excessive force, such as tightening bolt M6 or bolts greater than M6 or removing rusted screws.

MAINTENANCE

CAUTION:

- Always be sure that the tool is switched off and the battery cartridge is removed before attempting to perform inspection or maintenance.

To maintain product SAFETY and RELIABILITY, repairs, any other maintenance or adjustment should be performed by Makita Authorized Service Centers, always using Makita replacement parts.

ACCESSORIES

CAUTION:

- These accessories or attachments are recommended for use with your Makita tool specified in this manual. The use of any other accessories or attachments might present a risk of injury to persons. Only use accessory or attachment for its stated purpose.

If you need any assistance for more details regarding these accessories, ask your local Makita Service Center.

- Drill bits
- Screw bits
- Socket bits
- Bit piece
- Various type of Makita genuine batteries and chargers
- Plastic carrying case

For European countries only

Noise ENG101-1

The typical A-weighted noise level determined according to EN60745-2-1:

Sound pressure level (L_{pA}): 70 dB (A)

Uncertainty (K): 3 dB (A)

The noise level under working may exceed 85 dB (A).

Wear ear protection.

Vibration ENG202-1

The vibration total value (tri-axial vector sum) determined according to EN60745-2-1:

Work mode: drilling into metal

Vibration emission ($a_{h,D}$): 2.5 m/s² or less

EC-DECLARATION OF CONFORMITY

Model; DF010D ENH102-7

We declare under our sole responsibility that this product is in compliance with the following standards of standardized documents:

EN60745, EN55014 in accordance with Council Directives, 2004/108/EC, 98/37/EC.

CE 2007



Tomoyasu Kato
Director

Responsible Manufacturer:

Makita Corporation

3-11-8, Sumiyoshi-cho, Anjo, Aichi, JAPAN

Authorized Representative in Europe:

Makita International Europe Ltd.

Michigan Drive, Tongwell, Milton Keynes, Bucks MK15 8JD, ENGLAND

- | | | |
|------------------------------------|--------------------------|---------------------|
| 1. Bouton | 6. Graduation | 11. Foret |
| 2. Batterie | 7. Bague de réglage | 12. Partie d'embout |
| 3. Bouton de verrouillage | 8. Index | 13. Manchon |
| 4. Interrupteur | 9. Interrupteur de lampe | |
| 5. Levier de changement de vitesse | 10. Lampe | |

SPÉCIFICATIONS

Modèle		DF010D
Capacités	Acier	5 mm
	Bois	6 mm
	Vis à bois	Φ 3,8 mm x 45 mm
	Vis de mécanique	M5
Vitesse à vide (min ⁻¹)	Élevée (2)	650
	Basse (1)	200
Longueur totale	Type droit	279 mm
	Type Pistolet	224 mm
Poids net		0,55 kg
Tension nominale		C.C. 7,2 V

- Était donné l'évolution constante de notre programme de recherche et de développement, les spécifications contenues dans ce manuel sont sujettes à des modifications sans préavis.
- Remarque : Les spécifications peuvent varier d'un pays à l'autre.

Utilisations

ENE004-1

L'outil est conçu pour percer et visser dans le bois, le métal et le plastique.

CONSIGNES DE SÉCURITÉ SPÉCIFIQUES

GEB002-2

NE vous laissez PAS tromper (au fil d'une utilisation répétée) par un sentiment d'aisance et de familiarité avec le produit, en négligeant le respect rigoureux des consignes de sécurité qui accompagnent la perceuse. Si vous n'utilisez pas cet outil électrique de façon sûre ou adéquate, vous courez un risque de blessure grave.

1. Saisissez les outils électriques par leurs surfaces de poigne isolées lorsque vous effectuez une opération au cours de laquelle l'outil tranchant peut entrer en contact avec des fils cachés ou avec son propre cordon d'alimentation. Le contact avec un fil sous tension mettra les parties métalliques exposées de l'outil sous tension, causant ainsi un choc électrique chez l'utilisateur.
2. Assurez-vous toujours d'une bonne position d'équilibre. Assurez-vous que personne ne se trouve dessous lorsque vous utilisez l'outil en position élevée.
3. Tenez l'outil fermement.
4. Gardez les mains éloignées des pièces en rotation.
5. N'abandonnez pas l'outil alors qu'il tourne. Ne faites fonctionner l'outil qu'une fois que vous l'avez bien en main.

6. **Ne touchez ni le foret ni la pièce immédiatement après la coupe ; ils risquent d'être extrêmement chauds et de vous brûler la peau.**
7. Certains matériaux contiennent des produits chimiques qui peuvent être toxiques. Prenez les précautions nécessaires pour ne pas inhaler les poussières qu'ils dégagent et pour éviter tout contact avec la peau. Conformez-vous aux consignes de sécurité du fabricant du matériau.

CONSERVEZ CES INSTRUCTIONS.

AVERTISSEMENT :

Une UTILISATION INCORRECTE de l'outil ou un non-respect des consignes de sécurité indiquées dans ce manuel d'instructions peuvent causer des blessures graves.

CONSIGNES DE SÉCURITÉ IMPORTANTES

ENC007-2

POUR LA BATTERIE

1. Avant d'utiliser la batterie, veuillez lire toutes les instructions et tous les avertissements inscrits sur (1) le chargeur, (2) la batterie et (3) l'appareil alimenté par la batterie.
2. Ne démontez pas la batterie.
3. Cessez immédiatement l'utilisation si le temps de fonctionnement devient excessivement court. Il y

a risque de surchauffe et de brûlures, voire d'explosion.

4. Si l'électrolyte pénètre dans vos yeux, rincez-les à l'eau claire et consultez immédiatement un médecin. Il y a risque de perte de la vue.
5. Évitez de court-circuiter la batterie :
 - (1) Ne toucher les bornes avec aucun matériau conducteur.
 - (2) Éviter de ranger la batterie dans un contenant où se trouvent d'autres objets métalliques tels que clous, pièces de monnaie, etc.
 - (3) N'exposez pas la batterie à l'eau ou à la pluie. Un court-circuit de la batterie risque de provoquer un fort courant, une surchauffe, parfois des brûlures et même une panne.
6. Ne rangez pas l'outil ou la batterie dans des endroits où la température risque d'atteindre ou de dépasser 50 °C (122 °F).
7. Ne jetez pas la batterie au feu même si elle est sérieusement endommagée ou complètement épuisée. La batterie peut exploser au contact du feu.
8. Prenez garde d'échapper ou de heurter la batterie.

CONSERVEZ CES INSTRUCTIONS.

Conseils pour assurer la durée de vie optimale de la batterie

1. Rechargez la batterie avant qu'elle ne soit complètement épuisée. Arrêtez toujours l'outil et rechargez la batterie quand vous constatez que la puissance de l'outil diminue.
2. Ne rechargez jamais une batterie complètement chargée. La surcharge réduit la durée de service de la batterie.
3. Chargez la batterie alors que la température de la pièce se trouve à l'intérieur d'une plage de 10 °C - 40 °C (50 °F - 104 °F). Avant de charger une batterie chaude, laissez-la refroidir.

DESCRIPTION DU FONCTIONNEMENT

ATTENTION :

- Veillez toujours à ce que l'appareil soit éteint et la batterie déposée avant d'effectuer des réglages ou des contrôles sur le fonctionnement de l'appareil.

Installation et retrait de la batterie (Fig. 1)

- Mettez toujours l'outil hors tension avant d'insérer ou de retirer la batterie.
- Pour déposer la batterie, retirez-la de l'outil en appuyant sur les boutons situés de chaque côté de la batterie.
- Pour insérer la batterie, alignez sa languette sur la rainure qui se trouve à l'intérieur du carter, puis glissez la batterie pour la mettre en place. Insérez-la toujours bien à fond, jusqu'à ce qu'elle se verrouille en émettant un léger clic. Sinon, la batterie risque de tomber

accidentellement de l'outil, en vous blessant ou en blessant une personne se trouvant près de vous.

- N'appliquez pas une force excessive lors de l'insertion de la batterie. Si la batterie ne glisse pas aisément, c'est qu'elle n'est pas insérée correctement.

Bouton de verrouillage (Fig. 2)

Quand le bouton de verrouillage est dans la position verrouillée B, la gâchette ne peut pas être activée.

Quand le bouton de verrouillage est dans la position verrouillée A la gâchette peut être activée.

Interrupteur (Fig. 3)

ATTENTION :

- Avant d'insérer la batterie dans l'outil, vérifiez toujours que la gâchette fonctionne bien et revient en position d'arrêt lorsque libérée.

Pour démarrer l'outil, déplacez d'abord le bouton de verrouillage à la position de non-verrouillage A pour libérer la gâchette. Et puis poussez simplement la gâchette sur le ⇐ côté C pour la rotation dans le sens des aiguilles d'une montre et le ⇒ côté D pour la rotation dans le sens contraire des aiguilles d'une montre Libère la gâchette pour s'arrêter.

ATTENTION :

- Vérifiez toujours le sens de rotation avant de mettre l'outil en marche.
- Changez de sens qu'une fois l'outil complètement arrêté. Si vous changez le sens de rotation de l'outil avant l'arrêt de l'outil, vous risquez de l'endommager.
- Quand vous n'utilisez pas l'outil, toujours placez le bouton de verrouillage en position verrouillée B.


Changement de vitesse (Fig. 4)


Pour changer de vitesse, commencez par éteindre l'outil, puis déplacez le levier de changement de vitesse sur le côté "2" pour faire marcher l'outil à grande vitesse, ou sur le côté "1" pour le faire marcher à vitesse réduite. Vérifiez que le levier de changement de vitesse est réglé sur la bonne position avant de commencer le travail. Utilisez la vitesse qui convient pour le travail à effectuer.

ATTENTION :

- Placez toujours parfaitement le levier de changement de vitesse sur la position correcte. Si vous faites fonctionner l'outil avec le levier de changement de vitesse situé à mi-course entre le côté "1" et le côté "2", il risque d'être endommagé.
- N'actionnez pas le levier de changement de vitesse pendant que l'outil fonctionne. Vous pourriez endommager l'outil.


Réglage du couple de serrage (Fig. 5)

Le couple de serrage peut être ajusté sur l'une ou l'autre de 21 positions en tournant la bague de réglage de sorte que ses graduations s'alignent sur l'index du carter de l'outil. Le couple de serrage est minimal lorsque le numéro 1 est aligné sur l'index, et maximal lorsque l'indication  est alignée sur l'index.

L'embrayage glissera à divers niveaux de couple quand réglé au nombre 1 à 21. Il est conçu pour ne pas glisser à la  marque.

Avant de commencer véritablement votre travail, enfoncez une vis d'essai dans le matériau ou dans une pièce similaire afin d'identifier le couple de serrage requis pour une utilisation donnée.

Directive pour la butée auto de l'embrayage

Plage de travail de la butée auto de l'embrayage		Incréments sur la bague de réglage pour le couple de serrage	Couple de serrage
Vitesse élevée	Vitesse faible		
La butée auto de l'embrayage marche		1	Environ 0,3 N·m (environ 3 Kgf·cm)
		5	Environ 0,82 N·m (environ 8,4 Kgf·cm)
		9	Environ 1,35 N·m (environ 13,8 Kgf·cm)
		13	Environ 1,88 N·m (environ 19,2 Kgf·cm)
		17	Environ 2,41 N·m (environ 24,6 Kgf·cm)
La butée auto de l'embrayage ne marche pas		21	Environ 2,9 N·m (environ 30 Kgf·cm)
			Vitesse faible Environ 5 N·m (environ 49 Kgf·cm)
			Vitesse élevée Environ 1,5 N·m (environ 14,7 Kgf·cm)

Quand vous vissez avec la machine	Incréments	Directive pour le diamètre des vis de la machine
	1 - 3	2,5 mm
	4 - 8	3 mm
	9 - 18	4 mm
	19 - 21	5 mm

Allumage de la lampe avant (Fig. 6 et 7)

ATTENTION :

- Ne regardez pas directement la lumière ou la source de lumière.

Pour allumer la lumière, d'abord glisser le commutateur de lampe à la position A. Pour l'éteindre glisser le commutateur de lampe sur la position B.

Même si vous laissez la lampe allumée, la lumière s'éteindra automatiquement après 5 minutes.

Vérification du restant de la capacité de la batterie, arrêt auto

les signaux de la lampe clignotent quand la puissance de la batterie est presque utilisée durant l'utilisation.

A ce moment-là, rechargez la batterie ou remplacez-la par une nouvelle complètement chargée.

ASSEMBLAGE

ATTENTION :

- Assurez-vous toujours que le bouton de verrouillage est dans la position verrouillée B et que la batterie est retirée avant d'effectuer toute intervention sur l'outil.

Pour installer ou retirer l'embout à douille sur le foret (Fig. 8)

N'utilisez que le foret ou l'embout à douille comme indiqué sur la figure.

N'utilisez pas d'autre foret ou embout à douille.

Pour les pays Européens et les Amériques du Nord et du Sud, l'Australie et la Nouvelle-Zélande

A = 12 mm B = 9 mm	N'utilisez que ces types de foret. Suivez la procédure (1). (Remarque) l'embout n'est pas nécessaire.
-----------------------	--

Pour les autres pays

A = 17 mm B = 14 mm	Pour installer ces types de forets, suivez la procédure (1). (Remarque) les forets Makita sont ces types.
A = 12 mm B = 9 mm	Pour installer ces types de forets, suivez la procédure (2). (Remarque) Partie d'embout n'est pas nécessaire pour l'installation du foret

1. Pour installer l'embout tirez le manchon dans le sens de la flèche et insérez l'embout dans le manchon aussi profondément que possible. Relâchez ensuite le manchon pour sécuriser l'embout. (Fig. 9)
2. Pour installer le foret, tirez le manchon dans le sens de la flèche et insérez la partie d'embout dans le manchon aussi profondément que possible. La partie d'embout devrait être insérée dans le manchon avec son extrémité pointue lui faisant face. Puis libérez le manchon pour sécuriser l'embout. (Fig. 10)

Pour retirer l'embout tirez le manchon dans le sens de la flèche et tirez l'embout de façon ferme

REMARQUE :

- Si l'embout n'est pas inséré suffisamment profondément dans le manchon, ce dernier ne retournera pas à sa position d'origine et l'embout ne sera pas sécurisé. Dans ce cas, essayez de ré-insérer l'embout selon les instructions ci-dessus.

UTILISATION

L'outil peut être utilisé de deux façons: un type droit et un type pistolet qui est sélectionné selon les conditions du lieu de travail et le vissage (Fig. 11)

Vissage (Fig. 12)

ATTENTION :

- Ajustez la bague de réglage sur le niveau de couple qui convient au travail à effectuer.

Placez la pointe de l'embout dans la tête de vis et appliquez une pression sur l'outil. Puis mettez sous

tension l'outil. Quand l'embrayage s'active le moteur s'arrêtera automatiquement. Puis libérez le commutateur.

ATTENTION :


- Assurez-vous que l'embout se trouve inséré bien droit dans la tête de vis, faute de quoi la vis et/ou l'embout risquent d'être endommagés.

REMARQUE :

- Quand vous vissez des vis à bois, le perçage de trous-pilotes rendra votre tâche plus aisée et empêchera que le matériau ne se fende. Consultez le tableau.

Diamètre nominal des vis à bois (mm)	Taille recommandée pour les trous-pilotes (mm)
3,1	2,0 - 2,2
3,5	2,2 - 2,5
3,8	2,5 - 2,8
4,5	2,9 - 3,2
4,8	3,1 - 3,4
5,1	3,3 - 3,6
5,5	3,7 - 3,9
5,8	4,0 - 4,2
6,1	4,2 - 4,4

Perçage

Tournez d'abord la bague de réglage de sorte que l'index pointe sur l'indication . Procédez ensuite comme suit.

Perçage du bois

Pour percer dans le bois, vous obtiendrez de meilleurs résultats avec un foret à bois doté d'une vis de guidage. La vis de guidage facilite le perçage en entraînant le foret dans la pièce.

Perçage du métal

Pour que le foret ne glisse pas hors du trou lorsque vous commencez à le percer, faites une entaille à l'aide d'un pointeau et d'un marteau à l'emplacement prévu pour le perçage. Placez la pointe du foret dans l'entaille et commencez à percer.

Lorsque vous percez du métal, utilisez un lubrifiant de coupe. Seuls le fer et le laiton font exception et doivent être percés à sec.

ATTENTION :

- Une pression excessive sur l'outil n'accélère pas le perçage. En fait, une pression excessive endommagera le bout du foret, réduira l'efficacité de l'outil et raccourcira sa durée de vie.
- Une force énorme s'exerce sur l'outil et le foret lorsque ce dernier sort par la face opposée de la pièce. Tenez l'outil fermement et faites bien attention lorsque le foret se met à sortir par la face opposée de la pièce.
- Un foret coincé peut être retiré en réglant simplement l'inverseur sur la rotation inverse pour faire marche arrière. L'outil peut toutefois faire brusquement marche arrière si vous ne le tenez pas fermement.
- Immobilisez toujours les petites pièces à travailler dans un étau ou un dispositif de fixation similaire.
- Si l'outil a fonctionné de façon continue jusqu'à ce que la batterie soit épuisée, laissez-le reposer pendant

15 minutes avant de poursuivre avec une batterie fraîche.

Utilisation de l'outil comme un tournevis à main (Fig. 13)

Mettez sous tension l'outil

Déplacez le bouton de verrouillage à la position verrouillée A

Tournez l'outil

REMARQUE :

- Utilisez l'outil avec un couple inférieur à Nm (50 kgf.cm).
- Cette utilisation est commode pour vérifier le vissage
- N'utilisez pas l'outil pour un travail qui requiert une force excessive tel que le serrage de boulons M6 ou plus grands ou pour l'enlèvement de vis rouillées

MAINTENANCE

ATTENTION :

- Assurez-vous toujours que l'outil est hors tension et que la batterie est retirée avant d'y effectuer tout travail d'inspection ou d'entretien.

Pour assurer la SÉCURITÉ et la FIABILITÉ du produit, toute réparation et tout travail d'entretien ou de réglage doivent être effectués par un Centre de service après-vente agréé Makita, avec des pièces de rechange Makita.

ACCESSOIRES

ATTENTION :

- Ces accessoires ou pièces complémentaires sont recommandés pour l'utilisation avec l'outil Makita spécifié dans ce manuel. L'utilisation de tout autre accessoire ou pièce complémentaire comporte un risque de blessures. Utilisez uniquement l'accessoire ou la pièce complémentaire dans le but spécifié.

Pour obtenir plus de détails sur ces accessoires, contactez un Centre de service après-vente local Makita.

- Forets
- Embouts
- Embouts à douille
- Partie d'embout
- Divers types de batteries et chargeurs de marque Makita.
- Étui en plastique

Pour les pays européens uniquement

Bruit ENG101-1

Les niveaux de bruit pondéré A typiques ont été mesurés selon la norme EN60745-2-1 :

Niveau de pression sonore (L_{pA}) : 70 dB (A)

Incertitude (K) : 3 dB (A)

Le niveau de bruit peut dépasser 85 dB (A) lors de l'utilisation.

Portez des protections auditives.

Vibration ENG202-1

La valeur totale de vibration (somme du vecteur triaxial) déterminée selon EN60745-2-1 :

Mode de fonctionnement : perçage du métal

Emission de vibrations ($a_{h,D}$) : 2,5 m/s² ou moins

DECLARATION DE CONFORMITE CE

Modèle : DF010D ENH102-7

Nous déclarons, sous notre entière responsabilité, que ce produit répond aux normes suivantes de documents normalisés :

EN60745, EN55014 conformément aux Directives du Conseil, 2004/108/EC, 98/37/EC.

CE 2007



Tomoyasu Kato
Directeur

Fabricant responsable :

Makita Corporation

3-11-8, Sumiyoshi-cho, Anjo, Aichi, JAPAN

Représentant agréé en Europe :

Makita International Europe Ltd.

Michigan Drive, Tongwell, Milton Keynes, Bucks MK15

8JD, ENGLAND

8JD, ANGLETERRE

Erklärung der Gesamtdarstellung

- | | | |
|--------------------------|-------------------|--------------------------|
| 1. Taste | 6. Markierung | 11. Einsatzwerkzeug |
| 2. Akkublock | 7. Einstellring | 12. Ausgleichspitze |
| 3. Einschaltverriegelung | 8. Pfeil | 13. Werkzeugverriegelung |
| 4. Schalter | 9. Lampenschalter | |
| 5. Drehzahlumschalter | 10. Lampe | |

TECHNISCHE ANGABEN

Modell		DF010D
Leistungen	Stahl	5 mm
	Holz	6 mm
	Holzschraube	Φ3,8 mm x 45 mm
	Maschinenschraube	M5
Leerlaufdrehzahl (U/min ⁻¹)	Hoch (2)	650
	Niedrig (1)	200
Gesamtlänge	Stabform	279 mm
	Pistolenform	224 mm
Nettogewicht		0,55 kg
Nennspannung		7,2 V Gleichspannung

- Aufgrund unserer weiterführenden Forschungen und Entwicklungen sind Änderungen an den hier angegebenen Technischen Daten ohne Vorankündigung vorbehalten.
- Hinweis: Die Angaben können sich je nach Land unterscheiden.

Verwendungszweck ENE034-1
Das Werkzeug wurde für das Bohren und Schrauben in Holz, Metall und Kunststoff entwickelt.

BESONDERE SICHERHEITSGESETZE GEB002-2

Lassen Sie sich **NIE** durch Bequemlichkeit oder (aus fortwährendem Gebrauch gewonnener) Vertrautheit mit dem Gerät dazu verleiten, die Sicherheitsregeln für das Gerät zu missachten. Wenn dieses Elektrowerkzeug fahrlässig oder nicht ordnungsgemäß verwendet wird, kann es zu schweren Personenschäden kommen.

1. Halten Sie das Elektrowerkzeug an den isolierten Griffflächen, wenn Sie unter Bedingungen arbeiten, bei denen das Schneidwerkzeug versteckt verlegte Verkabelungen oder das eigene Kabel berühren kann. Der Kontakt mit einem Strom führenden Kabel leitet diesen an die metallenen Teile des Werkzeugs weiter und verursacht einen Stromschlag beim Bediener.
2. Achten Sie jederzeit auf einen festen Stand. Achten Sie darauf, dass sich niemand unter Ihnen befindet, wenn Sie das Werkzeug an erhöhten Orten verwenden.
3. Halten Sie das Werkzeug mit festem Griff.
4. Halten Sie Ihre Hände von den beweglichen Teilen fern.
5. Lassen Sie das Werkzeug nicht laufen. Das Werkzeug darf nur dann in Betrieb sein, wenn es festgehalten wird.

6. **Berühren Sie kurz nach dem Betrieb weder den Bohreinsatz noch das Werkstück. Diese können extrem heiß sein und zu Verbrennungen führen.**
7. **Einige Materialien enthalten Chemikalien, die giftig sein können. Vermeiden Sie das Einatmen von Staub und den Kontakt mit der Haut. Befolgen Sie die Sicherheitshinweise des Materialherstellers.**

BEWAHREN SIE DIESE ANWEISUNGEN SORGFÄLTIG AUF.

WARNUNG:
MISSBRAUCH oder Missachtung der in diesem Handbuch enthaltenen Sicherheitshinweise können zu schweren Personenschäden führen.

WICHTIGE SICHERHEITSGESETZE ENC007-2

FÜR DEN AKKUBLOCK

1. Lesen Sie vor der Verwendung des Akkublocks alle Anweisungen und Sicherheitshinweise für das Akkuladegerät (1), den Akku (2) und das Produkt (3), für das der Akku verwendet wird.
2. Der Akkublock darf nicht zerlegt werden.
3. Falls die Betriebsdauer erheblich kürzer wird, beenden Sie den Betrieb umgehend. Andernfalls besteht die Gefahr einer Überhitzung sowie das

Risiko möglicher Verbrennungen und sogar einer Explosion.

4. Falls Elektrolyt in Ihre Augen gerät, waschen Sie diese mit klarem Wasser aus und suchen Sie sofort einen Arzt auf. Andernfalls können Sie Ihr Augenlicht verlieren.
5. Vermeiden Sie einen Kurzschluss des Akkublocks:
 - (1) Die Kontakte dürfen nicht mit leitendem Material in Berührung kommen.
 - (2) Der Akkublock darf nicht in einem Behälter aufbewahrt werden, in dem sich andere metallischen Gegenstände wie beispielsweise Nägel, Münzen usw. befinden.
 - (3) Der Akkublock darf weder Feuchtigkeit noch Regen ausgesetzt werden. Ein Kurzschluss des Akkus kann zu hohem Kriechstrom, Überhitzung, möglichen Verbrennungen und sogar zu einer Zerstörung des Geräts führen.
6. Werkzeug und Akkublock dürfen nicht an Orten aufbewahrt werden, an denen die Temperatur 50 °C (122 °F) oder höher erreichen kann.
7. Selbst wenn der Akkublock schwer beschädigt oder völlig verbraucht ist, darf er nicht angezündet werden. Der Akkublock kann in den Flammen explodieren.
8. Lassen Sie den Akku nicht fallen und vermeiden Sie Schläge gegen den Akku.

BEWAHREN SIE DIESE ANWEISUNGEN SORGFÄLTIG AUF.

Tipps für den Erhalt der maximalen Akku-Lebensdauer

1. Laden Sie den Akkublock auf, bevor er ganz entladen ist. Beenden Sie stets den Betrieb des Werkzeugs und laden Sie den Akkublock auf, sobald Sie eine verringerte Werkzeugleistung bemerken.
2. Ein voll aufgeladener Akkublock darf niemals erneut geladen werden. Durch Überladungen wird die Lebensdauer des Akkus verkürzt.
3. Der Akkublock muss bei einer Zimmertemperatur zwischen 10 °C und 40 °C (50 °F - 104 °F) aufgeladen werden. Lassen Sie einen heißen Akkublock vor dem Aufladen abkühlen.

FUNKTIONSBESCHREIBUNG

ACHTUNG:

- Schalten Sie das Werkzeug stets aus und entfernen Sie den Akkublock, bevor Sie Einstellungen oder eine Funktionsprüfung des Werkzeugs vornehmen.

Montage und Demontage des Akkublocks (Abb. 1)

- Schalten Sie das Werkzeug stets aus, bevor Sie den Akkublock einsetzen oder entfernen.

- Zum Entfernen des Akkublocks müssen Sie diesen aus dem Gerät herausziehen, während Sie die Tasten an beiden Seiten des Blocks drücken.
- Zum Einsetzen des Akkublocks müssen Sie die Zunge des Akkublocks an der Rille im Gehäuse ausrichten und in die gewünschte Position schieben. Setzen Sie den Block immer ganz ein, bis er mit einem Klick einrastet. Andernfalls kann der Block versehentlich aus dem Werkzeug fallen und Sie oder Personen in der Nähe verletzen.

Wenden Sie beim Einsetzen des Akkublocks keine Gewalt an. Wenn der Block nicht leicht hinein gleitet, wurde er nicht richtig eingesetzt.

Einschaltverriegelung (Abb. 2)

Wenn sich die Einschaltverriegelung in der verriegelten Position B befindet, kann der Schalter nicht bedient werden.

Wenn sich die Einschaltverriegelung in der entriegelten Position A befindet, kann der Schalter bedient werden.

Bedienung des Schalters (Abb. 3)

ACHTUNG:

- Achten Sie vor dem Einsetzen des Akkublocks in das Werkzeug darauf, dass sich der Ein/Aus-Schalter korrekt bedienen lässt und beim Loslassen in die Position "OFF" (AUS) zurückkehrt.

Schieben Sie zum Starten des Werkzeugs zuerst die Einschaltverriegelung in die Position A, um den Schalter zu lösen. Drücken Sie dann einfach den Schalter auf der Seite ⇐ C für die Drehrichtung im Uhrzeigersinn und auf der Seite ⇒ D für die Drehrichtung entgegen dem Uhrzeigersinn. Lassen Sie den Schalter zum Stoppen los.

ACHTUNG:

- Überprüfen Sie vor jedem Betrieb immer die Drehrichtung.
- Ändern Sie die Richtung nur, wenn sich das Werkzeug nicht mehr dreht. Wenn Sie die Drehrichtung ändern, solange das Werkzeug noch läuft, kann es beschädigt werden.
- Wenn Sie das Werkzeug nicht benutzen, schieben Sie die Einschaltverriegelung in die verriegelte Position B.

Änderung der Drehzahl (Abb. 4)



Schalten Sie zum Ändern der Drehzahl zunächst das Werkzeug aus, und schieben Sie dann den Drehzahlumschalter auf „2“ (hohe Drehzahl) oder „1“ (niedrige Drehzahl). Überprüfen Sie vor dem Betrieb des Werkzeugs, ob sich der Drehzahlumschalter in der richtigen Position befindet. Verwenden Sie die für Ihre Arbeit geeignete Drehzahl.

ACHTUNG:

- Stellen Sie den Drehzahlumschalter immer ganz in die richtige Position. Wenn Sie das Werkzeug betreiben und sich der Drehzahlumschalter zwischen der Einstellung „1“ und „2“ befindet, kann das Werkzeug beschädigt werden.


- Der Drehzahlumschalter darf nicht betätigt werden, solange das Werkzeug läuft. Andernfalls kann das Werkzeug beschädigt werden.

Einstellen des Anzugsdrehmoments (Abb. 5)

Das Anzugsdrehmoment kann in 21 Stufen eingestellt werden, indem der Einstellring so gedreht wird, dass die Markierungen auf den Pfeil des Werkzeuggehäuses ausgerichtet sind. Das Anzugsdrehmoment ist minimal eingestellt, wenn die Zahl 1 am Pfeil ausgerichtet ist, und maximal, wenn die Markierung  am Pfeil ausgerichtet ist. Wenn eine Zahl zwischen 1 und 21 eingestellt ist, rutscht die Kupplung an den verschiedenen Drehmomenteinstellungen durch. Die Kupplung ist so konzipiert, dass sie an der Markierung  nicht durchrutscht.

Schrauben Sie vor dem eigentlichen Betrieb eine Probeschraube in Ihr Material bzw. in ein Materialduplikat, um zu ermitteln, welche Drehmomentstufe für eine bestimmte Anwendung erforderlich ist.

Richtlinie für Auto-Stopp der Kupplung

Arbeitsbereich für Auto-Stopp der Kupplung		Drehmoment-Einstellstufe	Anzugsmoment
Hohe Drehzahl	Niedrige Drehzahl		
Auto-Stopp der Kupplung greift		1	ca. 0,3 N·m (ca. 3 Kgf·cm)
		5	ca. 0,82 N·m (ca. 8,4 Kgf·cm)
		9	ca. 1,35 N·m (ca. 13,8 Kgf·cm)
		13	ca. 1,88 N·m (ca. 19,2 Kgf·cm)
		17	ca. 2,41 N·m (ca. 24,6 Kgf·cm)
Auto-Stopp der Kupplung greift nicht		21	ca. 2,9 N·m (ca. 30 Kgf·cm)
			Niedrige Drehzahl ca. 5 N·m (ca. 49 Kgf·cm)
			Hohe Drehzahl ca. 1,5 N·m (ca. 14,7 Kgf·cm)

Verschraubung	Drehmoment-einstellstufe	Richtlinie für Durchmesser der Maschinenschraube
	1 - 3	2,5 mm
	4 - 8	3 mm
	9 - 18	4 mm
	19 - 21	5 mm

Einschalten der Frontlampe (Abb. 6 und 7)

ACHTUNG:

- Schauen Sie nicht direkt in das Licht oder in die Lichtquelle.

Schieben Sie zum Einschalten der Lampe den Lampenschalter in die Position A.

Schieben Sie zum Ausschalten der Lampe den Lampenschalter in die Position B.

Auch wenn Sie die Lampe eingeschaltet lassen, erlischt das Licht nach 5 Minuten automatisch.

Überprüfen der verbleibenden Batterieladung, Auto-Stopp

Die Lampe zeigt durch Flackern an, wenn die Batterieleistung während der Verwendung fast aufgebraucht ist.

Laden Sie dann den Akku wieder auf oder ersetzen Sie die Batterie durch eine geladene.

MONTAGE

ACHTUNG:

- Stellen Sie die Einschaltverriegelung stets in die verriegelte Position B und entfernen Sie den Akkublock, bevor Sie Arbeiten am Werkzeug ausführen.

Einsetzen oder Entfernen von Einsatzwerkzeugen (Abb. 8)

Verwenden Sie Schraubendreher oder Steckschlüsseleinsätze nur wie in der Abbildung dargestellt.

Verwenden Sie keine anderen Einsatzwerkzeuge.

Für Europa, Nord- und Süd-Amerika, Australien und Neuseeland

A = 12 mm B = 9 mm	Verwenden Sie nur diese Art von Einsatzwerkzeugen. Befolgen Sie die Vorgehensweise (1). (Hinweis) Ausgleichspitze ist nicht notwendig.
-----------------------	---

Für andere Länder

A = 17 mm B = 14 mm	Zum Einsetzen dieser Art von Einsätzen befolgen Sie die Vorgehensweise (1). (Hinweis) Diese Einsatzwerkzeuge werden von Makita als Originalzubehör angeboten.
A = 12 mm B = 9 mm	Zum Einsetzen dieser Art von Einsätzen befolgen Sie die Vorgehensweise (2). (Hinweis) Ausgleichspitze ist zum Einsetzen des Einsatzes erforderlich.

1. Ziehen Sie die Werkzeugverriegelung zum Einbauen des Einsatzwerkzeugs in Richtung des Pfeils und setzen Sie das Einsatzwerkzeug bis zum Anschlag in die Werkzeugverriegelung ein. Lassen Sie die Werkzeugverriegelung los, um das Einsatzwerkzeug zu sichern. (Abb. 9)

2. Ziehen Sie die Werkzeugverriegelung zum Einbauen des Einsatzwerkzeugs in Richtung des Pfeils und setzen Sie die Ausgleichspitze und das Einsatzwerkzeug bis zum Anschlag in den Werkzeugverriegelung ein. Die Ausgleichspitze muss in die Werkzeugverriegelung mit der Spitze zuerst eingesetzt werden. Lassen Sie die Werkzeugverriegelung los, um das Einsatzwerkzeug zu sichern. (Abb. 10)

Ziehen Sie die Werkzeugverriegelung zum Entfernen des Einsatzwerkzeugs in Pfeilrichtung, und ziehen Sie das Einsatzwerkzeug heraus.

HINWEIS:

- Falls das Einsatzwerkzeug nicht tief genug in die Werkzeugverriegelung eingesetzt wurde, kehrt der Werkzeugverriegelung nicht in seine Ursprungsposition zurück und das Einsatzwerkzeug ist nicht gesichert. Setzen Sie in diesem Fall das Einsatzwerkzeug anhand den obigen Anweisungen erneut ein.

BETRIEB

Das Werkzeug kann auf zweierlei Weise verwendet werden: stabförmig oder pistolenartig, auswählbar je nach den Bedingungen des Arbeitsplatzes und Anforderungen an die Ergonomie. (Abb. 11)

Schraubendreherbetrieb (Abb. 12)

ACHTUNG:

- Stellen Sie den Einstellung auf die für Ihre Arbeit geeignete Drehmomentstufe.

Setzen Sie die Spitze des Einsatzwerkzeugs in den Schraubenkopf, und üben Sie Druck auf das Werkzeug aus. Schalten Sie dann das Werkzeug ein. Wenn die Kupplung anspricht, wird der Motor automatisch gestoppt. Lassen Sie dann den Schalter los.

ACHTUNG:


- Vergewissern Sie sich, dass das Einsatzwerkzeug gerade im Schraubenkopf sitzt. Andernfalls kann die Schraube und/oder das Einsatzwerkzeug beschädigt werden.

HINWEIS:

- Bohren Sie beim Eindrehen von Holzschrauben Löcher für die Schrauben vor, damit das Eindrehen vereinfacht wird und das Werkstück nicht splittet. Siehe Tabelle.

Nenndurchmesser der Holzschraube (mm)	Empfohlene Größe des vorgebohrten Lochs (mm)
3,1	2,0 - 2,2
3,5	2,2 - 2,5
3,8	2,5 - 2,8
4,5	2,9 - 3,2
4,8	3,1 - 3,4
5,1	3,3 - 3,6
5,5	3,7 - 3,9
5,8	4,0 - 4,2
6,1	4,2 - 4,4

Bohrbetrieb

Drehen Sie zunächst den Einstellring so, dass der Pfeil auf die Markierung  gerichtet ist. Gehen Sie anschließend wie folgt vor.

Bohren in Holz

Beim Bohren in Holz werden die besten Ergebnisse mit Holzbohrern erzielt, die mit einem Einzugsgehwinde ausgestattet sind. Das Einzugsgehwinde vereinfacht den Bohrvorgang, indem es den Bohrer in das Werkstück zieht.

Bohren in Metall

Damit der Bohrer beim Beginn einer Bohrung nicht abrutscht, können Sie an dem Punkt, an dem gebohrt werden soll. Setzen Sie die Spitze des Bohrers in die Körnung, und starten Sie den Bohrvorgang. Verwenden Sie beim Bohren in Metall einen Schneidschmierstoff. Ausnahmen sind Stahl und Messing; diese Metalle sollten trocken gebohrt werden.

ACHTUNG:

- Der Bohrvorgang kann durch übermäßigen Druck auf das Werkzeug nicht beschleunigt werden. Dieser übermäßige Druck beschädigt im Gegenteil die Spitze des Bohrers, vermindert die Leistung des Werkzeugs und verkürzt dessen Lebensdauer.
- Beim Austritt des Bohrers aus dem Werkstück wirken enorme Kräfte auf das Werkzeug/den Bohrer. Halten Sie das Werkzeug fest und seien Sie vorsichtig, wenn der Bohrer das Werkstück durchbricht.
- Ein festsitzender Bohrer kann durch Änderung der Drehrichtung wieder gelöst werden. Es kann jedoch zu einem abrupten Rückschlag des Werkzeugs kommen, wenn Sie es nicht ganz fest halten.
- Befestigen Sie kleine Werkstücke immer in einem Schraubstock oder einer ähnlichen Haltevorrichtung.
- Wenn das Werkzeug bis zur vollständigen Entladung des Akkus betrieben wurde, lassen Sie es 15 Minuten liegen, bevor Sie mit einem neuen Akku fortfahren.

Verwenden des Werkzeugs als Handschraubendreher (Abb. 13)

Schalten Sie das Werkzeug aus.

Verschieben Sie die Arretiertaste in die verriegelte Position A.

Drehen Sie das Werkzeug.

HINWEIS:

- Verwenden Sie das Werkzeug mit einem Anzugsdrehmoment unter 5 Nm.
- Dieser ist hilfreich für die Überprüfung des Schraubendrehens.
- Verwenden Sie das Werkzeug nicht für Arbeiten mit übermäßiger Druckerwendung, z.B. zum Festziehen von Schrauben ab M6 oder zum Entfernen verrosteter Schrauben.

WARTUNG

ACHTUNG:

- Schalten Sie das Werkzeug stets aus und entfernen Sie den Akkublock, bevor Sie Inspektionen oder Wartungsarbeiten am Werkzeug vornehmen.

Um die SICHERHEIT und ZUVERLÄSSIGKEIT des Produkts zu gewährleisten, sollten Reparaturen, Wartungsarbeiten und Einstellungen nur durch von Makita autorisierte Servicecenter durchgeführt und immer Makita-Ersatzteile verwendet werden.

ZUBEHÖR

ACHTUNG:

- Die folgenden Zubehör- und Zusatzteile werden für das in diesem Handbuch beschriebene Makita-Werkzeug empfohlen. Die Verwendung anderer Zubehör- und Zusatzteile kann zu Personenschäden führen. Verwenden Sie Zubehör- und Zusatzteile nur für den vorgesehenen Zweck.

Informationen zu diesem Zubehör erhalten Sie bei einem Makita-Servicecenter in Ihrer Nähe.

- Bohreinsätze
- Schraubendrehereinsätze
- Steckschlüsseleinsätze
- Bitteil
- Verschiedene Arten von Makita-Originalakkus und -Ladegeräten
- Transportkoffer

Nur für europäische Länder

Schall

ENG101-1

Typischer A-bewerteter Schallpegel nach EN60745-2-1:

Schalldruckpegel (L_{pA}): 70 dB (A)

Abweichung (K): 3 dB (A)

Unter Arbeitsbedingungen kann der Schallpegel 85 dB (A) überschreiten.

Tragen Sie Gehörschutz.

Schwingung

ENG202-1

Schwingungsgesamtwerte (Vektorsumme dreier Achsen) nach EN60745-2-1:

Arbeitsmodus: Bohren in Metall

Schwingungsbelastung ($a_{h,D}$): 2,5 m/s² oder weniger

EG-KONFORMITÄTSERKLÄRUNG

Modell: DF010D

ENH102-7

Wir erklären in alleiniger Verantwortung, dass sich dieses Produkt in Übereinstimmung mit den folgenden Normen der Normdokumente

EN60745, EN55014 befindet sowie in Übereinstimmung mit den Ratsverordnungen 2004/108/EC, 98/37/EC.

CE 2007



Tomoyasu Kato
Direktor

Verantwortlicher Hersteller:

Makita Corporation

3-11-8, Sumiyoshi-cho, Anjo, Aichi, JAPAN

Autorisierte Vertretung in Europa:

Makita International Europe Ltd.

Michigan Drive, Tongwell, Milton Keynes, Bucks MK15 8JD, ENGLAND

Spiegazione della vista generale

- | | | |
|--|-------------------------------|----------------------------|
| 1. Pulsante | 6. Regolazione | 12. Componente della punta |
| 2. Batteria | 7. Anello di regolazione | 13. Manicotto |
| 3. Pulsante di blocco | 8. Indicatore | |
| 4. Interruttore | 9. Interruttore della lampada | |
| 5. Leva di commutazione della velocità | 10. Lampada | |
| | 11. Punta | |

CARATTERISTICHE TECNICHE

Modello		DF010D
Capacità	Acciaio	5 mm
	Legno	6 mm
	Vite per legno	Φ3,8 mm x 45 mm
	Vite per metallo	M5
Velocità a vuoto (min ⁻¹)	Elevata (2)	650
	Bassa (1)	200
Lunghezza totale	Tipo diritto	279 mm
	Tipo a pistola	224 mm
Peso netto		0,55 kg
Tensione nominale		7,2 V CC

- Le caratteristiche tecniche riportate di seguito sono soggette a modifiche senza preavviso in virtù del nostro programma continuo di ricerca e sviluppo.
- Nota: le caratteristiche tecniche possono differire da paese a paese.

Uso previsto

ENE034-1

Questo utensile è progettato per la foratura e l'avvitatura di viti in materiali come legno, metallo e plastica.

7. **Alcuni materiali contengono prodotti chimici che possono essere tossici. Evitare l'inalazione della polvere e il contatto con la pelle. Attenersi alle istruzioni per la sicurezza del fornitore dei materiali.**

REGOLE SPECIFICHE DI SICUREZZA

GEB002-2

NON lasciare che la familiarità acquisita con il prodotto in seguito all'uso ripetuto sia causa di inosservanza delle regole di sicurezza dell'utensile.

Se l'utensile viene utilizzato in modo improprio o errato, è possibile subire lesioni personali gravi.

- Se si eseguono operazioni in cui l'utensile può toccare fili nascosti o il cavo di alimentazione, impugnare l'utensile utilizzando i punti di presa isolati.** Il contatto con un filo in tensione farà sì che le parti metalliche esposte dell'utensile si trovino anch'esse sotto tensione provocando scosse elettriche all'operatore.
- Accertarsi sempre di avere un equilibrio stabile. Controllare che nessuno si trovi sotto all'utensile quando lo si utilizza in posizioni elevate.**
- Tenere l'utensile in modo saldo.**
- Tenere le mani lontano dalle parti rotanti.**
- Non lasciare l'utensile acceso. Azionare l'utensile solo dopo averlo impugnato.**
- Non toccare la punta e il pezzo in lavorazione subito dopo aver utilizzato l'utensile in quanto possono raggiungere temperature elevate e provocare ustioni.**

CONSERVARE QUESTE ISTRUZIONI.**AVVERTENZA:**

L'USO IMPROPRIO o la mancata osservanza delle norme di sicurezza contenute in questo manuale può provocare lesioni personali gravi.

ISTRUZIONI IMPORTANTI PER LA SICUREZZA

ENC007-2

RELATIVE ALLA BATTERIA

- Prima di utilizzare la batteria, leggere tutte le istruzioni e gli avvisi di sicurezza relativi a (1) caricabatteria, (2) batteria e (3) prodotto utilizzato con la batteria.**
- Non disassemblare la batteria.**
- Se il tempo di funzionamento è diventato eccessivamente breve, non utilizzare l'utensile. Potrebbero verificarsi surriscaldamenti, ustioni o esplosioni.**
- In caso di contatto dell'elettrolita della batteria con gli occhi, sciacquare con acqua fresca e rivolgersi immediatamente a un medico. Potrebbero**

verificarsi danni permanenti alla funzionalità visiva.

5. **Non cortocircuitare la batteria.**
 - (1) **Non toccare i terminali della batteria con materiale in grado di condurre elettricità.**
 - (2) **Evitare di conservare le batterie a contatto con oggetti metallici quali chiodi, monete e così via.**
 - (3) **Non esporre le batterie all'acqua o alla pioggia. Un cortocircuito può provocare un elevato flusso di corrente, surriscaldamento, ustioni o rotture.**
6. **Non conservare l'utensile e la batteria a una temperatura superiore a 50 °C (122 °F).**
7. **Evitare di smaltire le batterie danneggiate o esaurite bruciandole. Se esposte al fuoco, le batterie possono esplodere.**
8. **Evitare di far cadere o di colpire la batteria.**

CONSERVARE QUESTE ISTRUZIONI.

Suggerimenti per il prolungamento della durata della batteria

1. **Caricare le batterie prima di scaricarle completamente. Se si nota una diminuzione di potenza dell'utensile, interrompere il lavoro e caricare la batteria.**
2. **Non ricaricare una batteria già completamente carica. In caso contrario, la durata operativa della batteria potrebbe ridursi.**
3. **Caricare la batteria in ambienti con una temperatura compresa tra 10 °C e 40 °C (50 °F - 104 °F). Prima di caricare una batteria surriscaldata, lasciarla raffreddare.**

DESCRIZIONE FUNZIONALE

ATTENZIONE:

- Accertarsi sempre che l'utensile sia spento e che la batteria sia stata rimossa prima di regolare o controllare le funzioni dell'utensile.

Installazione o rimozione della batteria (Fig. 1)

- Prima di inserire o rimuovere la batteria, spegnere sempre l'utensile.
- Per rimuovere la batteria, estrarla dall'utensile facendo scorrere il pulsante sulla parte frontale della batteria.
- Per inserire la batteria, allineare la linguetta sulla batteria con la scanalatura dell'alloggiamento e farla scorrere fino a raggiungere la posizione corretta. Inserire sempre la batteria fino a quando si blocca in posizione con uno scatto. In caso contrario la batteria può fuoriuscire accidentalmente e provocare lesioni all'operatore o a chi si trova nello spazio vicino.
- Non applicare una forza eccessiva per inserire la batteria. Se la batteria non scorre agevolmente, la manovra di inserimento non è corretta.

Pulsante di blocco (Fig. 2)

Quando il pulsante di blocco è nella posizione di blocco B non è possibile azionare l'interruttore.

Quando il pulsante di blocco è nella posizione di sblocco A è possibile azionare l'interruttore.

Azionamento dell'interruttore (Fig. 3)

ATTENZIONE:

- Prima di inserire la batteria nell'utensile, controllare se l'interruttore funziona correttamente e ritorna alla posizione "SPENTO" una volta rilasciato.

Per avviare l'utensile, portare il pulsante di blocco nella posizione di sblocco A in modo da sbloccare l'interruttore. Premere l'interruttore sul lato ⇐ C per la rotazione in senso orario e sul lato ⇒ D per la rotazione in senso antiorario. Rilasciare l'interruttore per arrestare l'utensile.

ATTENZIONE:

- Prima di azionare l'utensile, controllare sempre la direzione di rotazione impostata.
- Cambiare la direzione solo quando l'utensile è completamente fermo. Modificare la direzione di rotazione prima dell'arresto può danneggiare l'utensile.
- Quando non si usa l'utensile, portare sempre il pulsante di blocco nella posizione di blocco ⏻.

Modifica della velocità (Fig. 4)


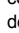
Per modificare la velocità, spegnere l'utensile e far scorrere la leva di regolazione sulla posizione "2" se si desidera una velocità elevata o sulla posizione "1" se si desidera una velocità minore. Prima di azionare l'utensile, accertarsi di aver selezionato la velocità corretta. Utilizzare la velocità più adatta al lavoro da eseguire.

ATTENZIONE:

- Posizionare accuratamente la leva di regolazione della velocità sulla posizione corretta. Se si aziona l'utensile mentre la leva di regolazione si trova in una posizione intermedia tra "1" e "2", l'utensile potrebbe essere danneggiato.
- Non utilizzare la leva di commutazione della velocità mentre si utilizza l'utensile. L'uso in tali condizioni può danneggiare l'utensile.

Regolazione della coppia di serraggio (Fig. 5)

È possibile regolare la coppia di serraggio su 21 posizioni ruotando l'anello di regolazione fino ad allineare la posizione desiderata con l'indicatore presente sul corpo dell'utensile. La coppia di serraggio è minima quando l'indicatore si trova in corrispondenza del numero 1 e massima quando si trova in corrispondenza del simbolo


 Per le posizioni comprese tra 1 e 21, la frizione interverrà a diversi livelli di coppia. Il funzionamento della frizione è concepito in modo da non intervenire in corrispondenza del simbolo .

Prima di iniziare il lavoro, avvitarne una vite nel materiale da utilizzare o in un pezzo di materiale identico per

individuare il livello di coppia più appropriato per la specifica esigenza.

posizione di blocco B e controllare di aver rimosso la batteria.

Linee guida per l'arresto automatico della frizione

Range di lavoro dell'arresto automatico della frizione		Incrementi sull'anello di regolazione per la coppia di serraggio	Coppia di serraggio
Alta velocità	Bassa velocità		
L'arresto automatico della frizione funziona		1	Circa 0,3 N·m (Circa 3 Kgf·cm)
		5	Circa 0,82 N·m (Circa 8,4 Kgf·cm)
		9	Circa 1,35 N·m (Circa 13,8 Kgf·cm)
		13	Circa 1,88 N·m (Circa 19,2 Kgf·cm)
		17	Circa 2,41 N·m (Circa 24,6 Kgf·cm)
L'arresto automatico della frizione non funziona		21	Circa 2,9 N·m (Circa 30 Kgf·cm)
			Bassa velocità Circa 5 N·m (Circa 49 Kgf·cm)
			Alta velocità Circa 1,5 N·m (Circa 14,7 Kgf·cm)

Avvitatura di viti per metallo	Incrementi	Linee guida per il diametro delle viti per metallo
	1 - 3	2,5 mm
	4 - 8	3 mm
	9 - 18	4 mm
	19 - 21	5 mm

Accensione delle lampada frontale (Fig. 6 e 7)

ATTENZIONE:

- Non osservare direttamente la luce o la fonte luminosa.

Per accendere la luce, far scorrere l'interruttore della lampada nella posizione A.

Per spegnere la luce, far scorrere l'interruttore della lampada nella posizione B.

Anche se la lampada rimane accesa, la luce si spegne automaticamente dopo 5 minuti.

Verifica della capacità rimanente della batteria, arresto automatico

Un tremolio della lampada durante l'uso segnala che la batteria sta per scaricarsi.

Sostituire o ricaricare la batteria.

MONTAGGIO

ATTENZIONE:

- Prima di eseguire qualsiasi operazione sull'utensile, verificare sempre che il pulsante di blocco sia nella

Installazione o rimozione della punta per avvitatore o della punta a tubo (Fig. 8)

Utilizzare solo la punta per avvitatore o la punta a tubo mostrate in figura.

Non utilizzare altri tipi di punte per avvitatore o punta a tubo.

Per i paesi europei, dell'America del nord e del sud, dell'Australia e della Nuova Zelanda

A=12mm B=9mm	Usare solo questi tipi di punte. Seguire la procedura (1). (Nota) Il componente della punta non è necessario.
-----------------	--

Per altri paesi

A=17mm B=14mm	Per installare questi tipi di punte, seguire la procedura (1). (Nota) Le punte Makita sono di questi tipi.
A=12mm B=9mm	Per installare questi tipi di punte, seguire la procedura (2). (Nota) Il componente della punta è necessario per l'installazione della punta.

- Per installare la punta, tirare il manicotto nella direzione della freccia e inserire completamente la punta nel manicotto. Quindi rilasciare il manicotto per fissare la punta. (Fig. 9)
- Per installare la punta, tirare il manicotto nella direzione della freccia e inserire completamente il componente della punta e la punta nel manicotto. Il componente della punta deve essere inserito nel manicotto con l'estremità appuntita rivolta verso l'interno. Rilasciare il manicotto per fissare la punta. (Fig. 10)

Per rimuovere la punta, tirare il manicotto in direzione della freccia, quindi estrarre la punta.

NOTA:

- Se la punta non viene inserita nel manicotto a una profondità sufficiente, il manicotto non tornerà nella posizione iniziale e la punta non verrà fissata. In tal caso, provare a reinserire la punta seguendo le istruzioni riportate sopra.

USO

L'utensile può essere utilizzato in due modi, con tipo diritto e con tipo a pistola, effettuando la scelta in base alle condizioni dell'area di lavoro e all'avvitatura. (Fig. 11)

Avvitatura (Fig. 12)

ATTENZIONE:

- Impostare con l'anello di regolazione il livello di coppia appropriato per la specifica esigenza.

Inserire l'estremità della punta nella testa della vite e applicare una pressione all'utensile. Quindi accendere l'utensile. Quando la frizione entra in azione, il motore si arresta automaticamente. A questo punto rilasciare l'interruttore.

ATTENZIONE:


- Accertarsi di aver inserito la punta correttamente nella testa della vite. In caso contrario la punta o la vite potrebbero danneggiarsi.

NOTA:

- Quando si avvitano viti per legno, eseguire preforature per rendere più agevole il lavoro ed evitare fenditure nel pezzo in lavorazione. Vedere la tabella riportata di seguito.

Diametro nominale della vite per legno (mm)	Dimensione consigliata per la preforatura (mm)
3,1	2,0 - 2,2
3,5	2,2 - 2,5
3,8	2,5 - 2,8
4,5	2,9 - 3,2
4,8	3,1 - 3,4
5,1	3,3 - 3,6
5,5	3,7 - 3,9
5,8	4,0 - 4,2
6,1	4,2 - 4,4

Foratura

Regolare innanzitutto l'anello in modo che l'indicatore si trovi in corrispondenza del simbolo . Procedere come indicato di seguito.

Foratura di legno

In questo caso, per ottenere i risultati migliori è consigliabile utilizzare punte da legno dotate di una vite di guida. Quest'ultima agevola la foratura perché guida la punta nel pezzo in lavorazione.

Foratura di metallo

Per impedire lo slittamento della punta all'inizio della foratura, utilizzare un punzone per centri e un martello per creare una cavità nella posizione in cui eseguire il foro. Collocare l'estremità della punta nella cavità e iniziare la foratura.

Se si forano metalli, utilizzare un lubrificante per taglio. Ferro e ottone devono invece essere forati a secco.

ATTENZIONE:

- Se si applica una pressione eccessiva sull'utensile non si accelera la foratura. Al contrario, una pressione eccessiva può danneggiare l'estremità della punta, diminuire l'efficacia dell'utensile e abbreviarne la durata operativa.
- Quando la foratura è al termine, l'utensile e la punta sono soggetti a una forza molto intensa. Impugnare saldamente l'utensile e prestare particolare attenzione quando il foro è quasi completato.
- Per rimuovere una punta inceppata è sufficiente invertire il senso di rotazione dell'utensile ed azionarlo brevemente. Tuttavia, se non si impugna saldamente l'utensile, questo potrebbe arretrare improvvisamente.
- Fissare sempre i pezzi in lavorazione di piccole dimensioni utilizzando una morsa o un dispositivo simile.

- Se si utilizza continuativamente l'utensile fino al completo scaricamento della batteria, attendere 15 minuti prima di continuare a utilizzarlo con una nuova batteria.

Utilizzo dell'utensile come avvitatore manuale (Fig. 13)

Spegnere l'utensile.

Portare il pulsante di blocco nella posizione di blocco A.

Accendere l'utensile.

NOTA:

- Utilizzare l'utensile con una coppia di serraggio inferiore a 5 Nm (50 kgf.cm).
- Questa modalità d'uso è comoda per la verifica dell'avvitatura.
- Non utilizzare l'utensile per lavori che richiedono una forza eccessiva, ad esempio per serrare bulloni M6 o superiori o per la rimozione di viti arrugginite.

MANUTENZIONE

ATTENZIONE:

- Prima di effettuare controlli o operazioni di manutenzione, verificare sempre di aver spento l'utensile e di aver rimosso la batteria.

Per mantenere la SICUREZZA e l'AFFIDABILITÀ del prodotto, le riparazioni e qualsiasi altra operazione di manutenzione o regolazione devono essere eseguiti dai centri di assistenza autorizzati Makita utilizzando sempre parti di ricambio Makita.

ACCESSORI

ATTENZIONE:

- Si raccomanda di usare questi accessori per l'utensile Makita descritto in questo manuale. L'uso di qualsiasi altro accessorio potrebbe provocare lesioni personali. Utilizzare gli accessori esclusivamente per l'uso dichiarato.

Per l'assistenza e ulteriori informazioni su tali accessori, rivolgersi al centro di assistenza Makita più vicino.

- Punte per foratura
- Punte per viti
- Punte a tubo
- Componente della punta
- Diversi modelli di batterie e caricabatteria originali Makita
- Valigetta di trasporto di plastica

Solo per i paesi europei

Rumore ENG101-1

Il tipico livello di rumore ponderato "A" è determinato in conformità con la norma EN60745-2-1:

Livello di pressione sonora (L_{pA}): 70 dB (A)

Variazione (K): 3 dB (A)

Il livello acustico in funzionamento può superare 85 dB (A).

Indossare una protezione acustica.

Vibrazione ENG202-1

Il valore totale della vibrazione (somma vettoriale triassiale) è determinato in conformità con la norma EN60745-2-1:

Modalità di lavoro: foratura metallo

Emissione di vibrazioni ($a_{h,D}$): 2,5 m/s² o inferiore

DICHIARAZIONE DI CONFORMITÀ CE

Modello: DF010D ENH102-7

Dichiariamo sotto nostra esclusiva responsabilità che il presente prodotto è conforme alle seguenti norme o documenti normativi:

EN60745, EN55014 secondo le disposizioni delle direttive del Consiglio, 2004/108/CE, 98/37/CE.

CE 2007



Tomoyasu Kato
Direttore

Produttore responsabile:

Makita Corporation

3-11-8, Sumiyoshi-cho, Anjo, Aichi, GIAPPONE

Rappresentanti autorizzati in Europa:

Makita International Europe Ltd.

Michigan Drive, Tongwell, Milton Keynes, Bucks MK15 8JD, INGHILTERRA

Verklaring van algemene gegevens

- | | | |
|------------------------|--------------------|-----------------|
| 1. Knop | 6. Schaalverdeling | 11. Bit |
| 2. Accu | 7. Instelling | 12. Bit-adapter |
| 3. Vastzetknop | 8. Aanwijspunt | 13. Bus |
| 4. Aan/uit-schakelaar | 9. Lampschakelaar | |
| 5. Snelheidsinstelknop | 10. Lamp | |

TECHNISCHE GEGEVENS

Model		DF010D
Vermogen	Staal	5 mm
	Hout	6 mm
	Houtschroef	Φ 3,8 mm x 45 mm
	Machineschroef	M5
Nullasttoerental (min ⁻¹)	Hoog (2)	650
	Laag (1)	200
Totale lengte	Rechte stand	279 mm
	Haakse stand	224 mm
Netto gewicht		0,55 kg
Nominale spanning		7,2 V gelijkstroom

- Als gevolg van ons doorlopende onderzoeks- en ontwikkelingsprogramma, zijn de technische gegevens van dit gereedschap onderhevig aan veranderingen zonder voorafgaande kennisgeving.
- Opmerking: De technische gegevens kunnen van land tot land verschillen.

Gebruiksdoeleinden ENE034-1
 Het gereedschap is bedoeld voor boren en schroeven in hout, metaal en kunststof.

SPECIFIEKE VEILIGHEIDSVORSCHRIFTEN

GEB002-2

Laat u **NIET** misleiden door een vals gevoel van comfort en bekendheid met het gereedschap (na veelvuldig gebruik) en neem alle veiligheidsvoorschriften van de schroefboormachine altijd strikt in acht. Bij onveilig of verkeerd gebruik van het elektrisch gereedschap, bestaat de kans op ernstig persoonlijk letsel.

1. Houd elektrisch gereedschap vast aan het geïsoleerde oppervlak van de handgrepen wanneer u werkt op plaatsen waar het gereedschap met verborgen bedrading of zijn eigen snoer in aanraking kan komen. Door contact met onder spanning staande draden, zullen de niet-geïsoleerde metalen delen van het gereedschap onder spanning komen te staan zodat de gebruiker een elektrische schok kan krijgen.
2. Zorg er altijd voor dat u stevig staat. Zorg ervoor dat er niemand zich onder u bevindt wanneer u het gereedschap op een hoge plaats gebruikt.
3. Houd het gereedschap stevig vast.
4. Houd uw handen uit de buurt van draaiende delen.
5. Laat het gereedschap niet ingeschakeld liggen. Bedien het gereedschap alleen wanneer u het vasthoudt.

6. Raak het schroef- of boorbit en het werkstuk niet onmiddellijk na gebruik aan. Zij kunnen bijzonder heet zijn en brandwonden op uw huid veroorzaken.
7. Sommige materialen bevatten chemische stoffen die giftig kunnen zijn. Neem voorzorgsmaatregelen tegen het inademen van stof en contact met de huid. Volg de veiligheidsinstructies van de leverancier van het materiaal op.

BEWAAR DEZE INSTRUCTIES

WAARSCHUWING:
VERKEERD GEBRUIK of het niet volgen van de veiligheidsinstructies in deze gebruiksaanwijzing kan leiden tot ernstig persoonlijk letsel.

BELANGRIJKE VEILIGHEIDSVORSCHRIFTEN ENC007-2

VOOR ACCU'S

1. Alvorens de accu in gebruik te nemen, leest u eerst alle instructies en waarschuwingsopdrachten op (1) de acculader, (2) de accu en (3) het apparaat waarin de accu wordt aangebracht.
2. Haal de accu niet uit elkaar.
3. Als de gebruikstijd aanzienlijk korter is geworden, stopt u onmiddellijk met het gebruik. Anders kan

dit leiden tot kans op oververhitting, mogelijke brandwonden en zelfs een explosie.

4. Als de elektrolyt in uw ogen komt, wast u deze uit met schoon water en raadpleegt u onmiddellijk een arts. Dit kan leiden tot verlies van gezichtsvermogen.
5. Sluit de accu niet kort:
 - (1) Raak de accupolen niet aan met enig geleidend materiaal.
 - (2) Bewaar de accu niet op een plaats waar deze in aanraking kan komen met andere metalen voorwerpen, zoals spijkers, munten, enz.
 - (3) Stel de accu niet bloot aan water of regen. Kortsluiting van de accu kan leiden tot een hoge stroomsterke, oververhitting, mogelijke brandwonden en zelfs een defect.
6. Bewaar het gereedschap en de accu niet op plaatsen waar de temperatuur kan oplopen tot 50 °C of hoger.
7. Werp de accu niet in een vuur, zelfs niet als deze al ernstig beschadigd of helemaal versleten is. De accu kan in een vuur exploderen.
8. Wees voorzichtig dat u de accu niet laat vallen of ergens tegenaan stoot.

BEWAAR DEZE INSTRUCTIES

Tips voor een lange levensduur van de accu

1. Laad de accu op voordat deze volledig leeg is. Wanneer u merkt dat het gereedschap minder vermogen heeft, stopt u met het gebruik ervan en laadt u eerst de accu op.
2. Laad nooit een volledig opgeladen accu op. Te lang opladen verkort de levensduur van de accu.
3. Laad de accu op bij een omgevingstemperatuur van 10 °C t/m 40 °C. Laat een warme accu eerst afkoelen voordat u deze oplaadt.

BESCHRIJVING VAN DE FUNCTIES

LET OP:

- Zorg ervoor dat het gereedschap is uitgeschakeld en dat de accu is verwijderd voordat u de werking van het gereedschap aanpast of controleert.

De accu aanbrengen en verwijderen (zie afb. 1)

- Schakel het gereedschap altijd uit voordat u de accu aanbrengt of verwijderd.
- Om de accu te verwijderen, drukt u de knoppen aan beide zijkanen van de accu in en trekt u tegelijkertijd de accu uit het gereedschap.
- Om de accu aan te brengen lijnt u de lip op de accu uit met de groef in de behuizing en duwt u de accu op zijn plaats. Steek de accu zo ver mogelijk in het gereedschap tot u een klikgeluid hoort. Als u dit niet doet, kan de accu per ongeluk uit het gereedschap vallen en u of anderen in uw omgeving verwonden.

- Oefen geen grote kracht uit bij het aanbrengen van de accu. Als de accu niet gemakkelijk in het gereedschap kan worden gestoken, wordt deze niet goed aangebracht.

Vastzetknop (zie afb. 2)

Als de vastzetknop in de vergrendelde stand B staat, kan de aan/uit-schakelaar niet worden bediend.

Als de vastzetknop in de ontgrendelde stand A staat, kan de aan/uit-schakelaar worden bediend.

Aan/uit-schakelaar (zie afb. 3)

LET OP:

- Controleer altijd, voordat u de accu in het gereedschap steekt, of de aan/uit-schakelaar op de juiste manier schakelt en weer terugkeert naar de uit-stand nadat deze is losgelaten.

Om het gereedschap in te schakelen, zet u eerst de vastzetknop in de ontgrendelde stand A om de aan/uitschakelaar te ontgrendelen. Druk daarna gewoon op de ⇐ C-kant van de aan/uit-schakelaar voor rechtsom draaien en op de ⇒ D-kant van de aan/uit-schakelaar voor linksom draaien. Laat de aan/uit-schakelaar los om het draaien te stoppen.

LET OP:

- Controleer altijd de draairichting alvorens het gereedschap te gebruiken.
- Verander de draairichting alleen nadat het gereedschap volledig tot stilstand is gekomen. Als u de draairichting verandert voordat het gereedschap volledig stilstaat, kan het gereedschap worden beschadigd.
- Wanneer u het gereedschap niet bedient, zet u altijd de vastzetknop in de vergrendelde stand B.

De draaisnelheid veranderen (zie afb. 4)


Om de draaisnelheid van het gereedschap te veranderen, schakelt u eerst het gereedschap uit en verschuift u daarna de snelheidsinstelknop naar stand "2" voor een hoge draaisnelheid, of naar stand "1" voor een lage draaisnelheid. Zorg ervoor dat de snelheidsinstelknop in de juiste stand staat alvorens het gereedschap te bedienen. Gebruik de juiste draaisnelheid voor uw klus.


LET OP:

- Zet de snelheidsinstelknop altijd volledig in de gewenste stand. Als u het gereedschap bedient terwijl de snelheidsinstelknop halverwege de standen "1" en "2" staat, kan het gereedschap worden beschadigd.
- Bedien de snelheidsinstelknop niet terwijl het gereedschap draait. Het gereedschap kan hierdoor worden beschadigd.

Het draaikoppel instellen (zie afb. 5)


Het draaikoppel kan in 21 stappen worden ingesteld door de instelling te draaien zodat de gewenste stand op de schaalverdeling is uitgelijnd met de aanwijspunt op de behuizing van het gereedschap. Het draaikoppel is minimaal wanneer stand 1 is uitgelijnd met de

aanwijspunt, en maximaal wanneer het symbool  is uitgelijnd met de aanwijspunt.

In de standen 1 t/m 21 zal de koppeling slippen bij steeds oplopende draaikoppelniveaus. De koppeling is ontworpen om niet te slippen op het symbool .

Bepaal het juiste draaikoppelniveau door bij wijze van proef een schroef in het materiaal of een stuk gelijkwaardig materiaal te draaien, alvorens het gereedschap voor de daadwerkelijke klus te gebruiken.

Gids voor de automatisch slippende koppeling

Werkbereik van de automatisch slippende koppeling		Stapnummer op instelling voor draaikoppel	Draaikoppel
Hoge snelheid	Lage snelheid		
Automatisch slippende koppeling werkt		1	Ong. 0,3 N·m (ong. 3 kgf·cm)
		5	Ong. 0,82 N·m (ong. 8,4 kgf·cm)
		9	Ong. 1,35 N·m (ong. 13,8 kgf·cm)
		13	Ong. 1,88 N·m (ong. 19,2 kgf·cm)
		17	Ong. 2,41 N·m (ong. 24,6 kgf·cm)
Automatisch slippende koppeling werkt niet		21	Ong. 2,9 N·m (ong. 30 kgf·cm)
			Lage snelheid Ong. 5 N·m (ong. 49 kgf·cm)
			Hoge snelheid Ong. 1,5 N·m (ong. 14,7 kgf·cm)

Indraaien van machineschroeven	Stapnummer	Richtlijn voor diameter machineschroef
	1 - 3	2,5 mm
	4 - 8	3 mm
	9 - 18	4 mm
	19 - 21	5 mm

De lamp op de voorkant inschakelen (zie afb. 6 en 7)

LET OP:

- Kijk niet rechtstreeks in het licht of naar de bron van de lamp.

Om de lamp in te schakelen, schuift u de lampschakelaar naar stand A. Om de lamp uit te schakelen, schuift u de lampschakelaar naar stand B.

Zelfs als u de lamp aan laat, zal deze automatisch uitgaan na 5 minuten.

De resterende acculading controleren, autostop

De lamp geeft aan dat de acculading bijna op is door tijdens gebruik te knipperen.

Op dat moment laadt u de accu op of vervangt u de accu door een volledig opgeladen accu.

ONDERDELEN AANBRENGEN/ VERWIJDEREN

LET OP:

- Controleer altijd of de vastzetknop in de vergrendelde stand B staat en de accu is verwijderd alvorens enige werkzaamheden aan het gereedschap te verrichten.

Het schroefbit of dopsleutelbit aanbrengen en verwijderen (zie afb. 8)

Gebruik alleen de boorbijt of dopsleutelbit zoals weergegeven in de afbeelding.

Gebruik geen andere boorbijt of dopsleutelbit.

Voor Europese landen, Noord- en Zuid-Amerikaanse landen, Australië en Nieuw-Zeeland

A = 12 mm B = 9 mm	Gebruik uitsluitend dit type bits. Volg procedure (1). (Opmerking) De bit-adaptor is niet nodig.
-----------------------	---

Voor andere landen

A = 17 mm B = 14 mm	Om deze typen bits te plaatsen, volgt u procedure (1). (Opmerking) Makita-bits zijn van dit type.
A = 12 mm B = 9 mm	Om deze typen bits te plaatsen, volgt u procedure (2). (Opmerking) De bit-adaptor is nodig om het bit te plaatsen.

- Om de bit te plaatsen, trekt u de bus in de richting van de pijl en steekt u de bit zo ver mogelijk in de bus. Laat daarna de bus los om de bit te vergrendelen (**zie afb. 9**).
- Om de bit te plaatsen, trekt u de bus in de richting van de pijl en steekt u de bit-adaptor en de bit zo ver mogelijk in de bus. De bit-adaptor moet met het puntige uiteinde eerst in de bus worden gestoken. Laat daarna de bus los om de bit te vergrendelen (**zie afb. 10**).

Om de bit te verwijderen, trekt u de bus in de richting van de pijl en trekt u de bit met kracht eruit.

OPMERKING:

- Als de bit niet diep genoeg in de bus is gestoken, zal de bus niet terugkeren naar de oorspronkelijke positie en zal de bit niet vastzitten. In dat geval probeert u de bit opnieuw in de bus te steken volgens bovenstaande aanwijzingen.

BEDIENING

Het gereedschap kan op twee manieren worden gebruikt: in de rechte stand en in de haakse stand, te kiezen al naar gelang de omstandigheden van de werklocatie en het schroeven (**zie afb. 11**).

Gebruik als schroevendraaier (zie afb. 12)

LET OP:

- Stel de instelling in op het juiste draaikoppelniveau voor uw klus.

Plaats de punt van het schroefbit in de schroefkop en oefen druk uit op het gereedschap. Schakel daarna het gereedschap in. Zodra de koppeling begint te slippen, zal de motor automatisch stoppen. Laat tenslotte de aan/uitschakelaar los.

LET OP:


- Zorg ervoor dat het schroefbit recht op de schroefkop staat omdat anders de schroef en/of het bit kunnen worden beschadigd.

OPMERKING:

- Bij het schroeven van hout Schroeven moet u de boorgaten voorboren om het schroeven te vergemakkelijken en te voorkomen dat het werkstuk splijt. Zie de tabel.

Nominale diameter van houtschroef (mm)	Aanbevolen diameter voorgeboord gat (mm)
3,1	2,0 - 2,2
3,5	2,2 - 2,5
3,8	2,5 - 2,8
4,5	2,9 - 3,2
4,8	3,1 - 3,4
5,1	3,3 - 3,6
5,5	3,7 - 3,9
5,8	4,0 - 4,2
6,1	4,2 - 4,4

Gebruik als boor

Draai eerst de instelling zodat de pijlpunt op het symbool  staat. Ga daarna als volgt te werk.

Boren in hout

Bij het boren in hout verkrijgt u de beste resultaten met houtboren voorzien van een geleideschroef. De geleideschroef zorgt ervoor dat het boren gemakkelijker verloopt door het bit in het werkstuk te trekken.

Boren in metaal

Om te voorkomen dat bij het beginnen van het boren het bit wegglijdt, maakt u een putje met een centerpons en hamer op het punt waar u wilt boren. Plaats de punt van het bit in het putje en begin te boren.

Gebruik bij het boren in metaal een snijolie als smeermiddel. De uitzonderingen hierop zijn ijzer en messing, die droog moeten worden geboord.

LET OP:

- Het boren zal niet sneller verlopen als u hard op het gereedschap drukt. In feite zal dergelijk duwen alleen maar leiden tot beschadiging van de boor, verlagen van de prestaties van het gereedschap, en verkorten van de levensduur van het gereedschap.
- Op het moment dat het boorgat doorbreekt wordt een enorme kracht uitgeoefend op het gereedschap/bit.

Houd het gereedschap stevig vast en let goed op wanneer het boortje door het werkstuk breekt.

- Een vastgelopen boor kan eenvoudigweg worden verwijderd door de omkeerschakelknop in de stand voor achteruitdraaien te zetten om de boor te verwijderen. Het gereedschap kan echter plotseling achteruit komen als u het niet stevig vasthoudt.
- Zet kleine werkstukken altijd vast in een bankschroef of soortgelijk bevestigingsmiddel.
- Als het gereedschap continu wordt bediend totdat de accu leeg is, laat u het gereedschap gedurende 15 minuten liggen alvorens verder te werken met een volle accu.

Het gereedschap gebruiken als een handschroevendraaier (zie afb. 13)

Schakel het gereedschap uit.

Zet de vastzetknop in de vergrendelde stand A.

Schakel het gereedschap in.

OPMERKING:

- Gebruik het gereedschap met een draaikoppel van minder dan 5 Nm (50 kgf.cm).
- Deze gebruiksmethode is handig voor het controleren van het aandraaien van de schroeven.
- Gebruik het gereedschap niet voor werkzaamheden die buitengewoon veel kracht vereisen, zoals het aandraaien van een bout M6 of grotere bouten, of het losdraaien van vastgeroeste schroeven.

ONDERHOUD

LET OP:

- Zorg er altijd voor dat de machine is uitgeschakeld en de accu is verwijderd, voordat u een inspectie of onderhoud uitvoert.

Om de VEILIGHEID en BETROUWBAARHEID van het gereedschap te handhaven, dienen alle reparaties, onderhoud en afstellingen te worden uitgevoerd door een erkend Makita-servicecentrum, en altijd met gebruikmaking van originele Makita-ervangingsonderdelen.

ACCESSOIRES

LET OP:

- Deze accessoires of hulpstukken worden aanbevolen voor gebruik met het Makita-gereedschap dat in deze gebruiksaanwijzing wordt beschreven. Het gebruik van andere accessoires of hulpstukken kan gevaar voor persoonlijk letsel opleveren. Gebruik de accessoires of hulpstukken uitsluitend voor de aangegeven gebruiksdoeleinden.

Mocht u meer informatie willen hebben over deze accessoires, dan kunt u contact opnemen met uw plaatselijke Makita-servicecentrum.

- Boorbits
- Schroefbits
- Dopsleutelbits
- Bit-adaptor

- Diverse types originele Makita-accu's en acculaders
- Kunststoffen draagdoos

Alleen voor Europese landen

Geluid ENG101-1

Het standaard A-gewogen geluidsniveau zoals vastgesteld conform EN60745-2-1:

Geluidsdrumniveau (L_{pA}): 70 dB (A)

Onzekerheid (K): 3 dB (A)

Het geluidsniveau kan tijdens gebruik hoger worden dan 85 dB (A).

Draag gehoorbescherming

Trilling ENG202-1

De totale trilwaarde (triaxiale vectorsom) zoals vastgesteld volgens EN60745-2-1:

Gebruikstoepassing: boren in metaal

Trillingsemisatie ($a_{h, D}$): 2,5 m/s² of minder

EC-VERKLARING VAN CONFORMITEIT

Model; DF010D ENH102-7

Wij verklaren onder eigen verantwoordelijkheid dat dit product voldoet aan de normen in de volgende documenten:

EN60745, EN55014 in overeenstemming met de richtlijnen van de Raad, 2004/108/EC, 98/37/EC.

CE 2007



Tomoyasu Kato
Directeur

Verantwoordelijke fabrikant:

Makita Corporation

3-11-8, Sumiyoshi-cho, Anjo, Aichi, JAPAN

Erkende vertegenwoordiger voor Europa:

Makita International Europe Ltd.

Michigan Drive, Tongwell, Milton Keynes, Bucks MK15 8JD, ENGLAND

Descripción y visión general

- | | | |
|-----------------------------------|------------------------------|--------------------|
| 1. Botón | 6. Graduación | 11. Broca |
| 2. Cartucho de la batería | 7. Anilla de ajuste | 12. Pieza de punta |
| 3. Botón de bloqueo | 8. Puntero | 13. Camisa |
| 4. Interruptor | 9. Interruptor de la lámpara | |
| 5. Palanca de cambio de velocidad | 10. Lámpara | |

ESPECIFICACIONES

Modelo		DF010D
Capacidades	Acero	5 mm
	Madera	6 mm
	Tornillo para madera	Φ 3,8 mm x 45 mm
	Tornillo para máquinas	M5
Velocidad en vacío (min ⁻¹)	Alta (2)	650
	Baja (1)	200
Longitud total	Tipo recto	279 mm
	Tipo pistola	224 mm
Peso neto		0,55 kg
Tensión nominal		CC de 7,2 V

- Debido a nuestro programa continuo de investigación y desarrollo, las especificaciones aquí descritas están sujetas a cambios sin previo aviso.
- Nota: Las especificaciones pueden ser diferentes de un país a otro.

Uso previsto

ENE034-1

Esta herramienta está diseñada para taladrar y atornillar en madera, metal y plástico.

extremadamente calientes y producir quemaduras en la piel.

7. **Algunos materiales contienen sustancias químicas que pueden ser tóxicas. Procure evitar la inhalación de polvo y el contacto con la piel. Consulte la información de seguridad del proveedor del material.**

NORMAS DE SEGURIDAD ESPECÍFICAS

GEB002-2

NO deje que la comodidad o la familiaridad con el producto (a base de utilizarlo repetidamente) sustituyan la estricta observancia de las normas de seguridad para el taladro. Si utiliza esta herramienta de forma no segura o incorrecta, puede sufrir graves daños corporales.

1. **Sujete las herramientas eléctricas por las superficies de agarre aisladas al realizar una operación en que la herramienta de corte pueda entrar en contacto con cables ocultos o con su propio cable.** Si entra en contacto con un cable con corriente, las piezas metálicas expuestas se cargarán también de corriente y el operario puede recibir una descarga.
2. **Colóquese siempre en una posición bien equilibrada.** Si utiliza la herramienta en una ubicación elevada, asegúrese de que nadie se encuentre debajo.
3. **Sujete con fuerza la herramienta.**
4. **Mantenga las manos alejadas de las partes giratorias.**
5. **No deje la herramienta encendida.** Póngala en marcha solamente cuando la tenga en las manos.
6. **No toque la broca ni la pieza de trabajo inmediatamente después de la tarea; pueden estar**

GUARDE ESTAS INSTRUCCIONES.

ADVERTENCIA:

el **MAL USO** o la no observancia de las normas de seguridad expuestas en este manual de instrucciones pueden ocasionar graves daños corporales.

INSTRUCCIONES DE SEGURIDAD IMPORTANTES

ENC007-2

PARA EL CARTUCHO DE LA BATERÍA

1. **Antes de utilizar el cartucho de la batería, lea todas las instrucciones y referencias de precaución que se encuentran en (1) el cargador de baterías, (2) la batería y (3) el producto que utiliza la batería.**
2. **No desmonte el cartucho de la batería.**
3. **Si el tiempo de funcionamiento es excesivamente corto, deje de utilizar la herramienta de inmediato. De lo contrario, existe el riesgo de**

sobrecalentamiento, quemaduras e incluso explosión.

4. **Si se produce contacto ocular con electrolito, enjuáguese los ojos con agua limpia y acuda de urgencia al médico. Corre el riesgo de perder la visión.**
5. **No cortocircuite el cartucho de la batería:**
 - (1) **No toque los terminales con material conductor.**
 - (2) **Evite guardar el cartucho de la batería en un recipiente con otros objetos metálicos, como clavos, monedas, etc.**
 - (3) **No exponga el cartucho de la batería al agua o a la lluvia. Un cortocircuito puede provocar un elevado flujo de corriente, sobrecalentamiento, quemaduras o incluso una avería.**
6. **No almacene la herramienta ni el cartucho de la batería en lugares donde la temperatura supere los 500 °C (122 °F).**
7. **No queme el cartucho de la batería aunque esté gravemente dañado o completamente gastado. El cartucho de la batería puede explotar si entra en contacto con fuego.**
8. **Procure que la batería no sufra golpes ni caídas.**

GUARDE ESTAS INSTRUCCIONES.

Consejos para conseguir una mayor duración de la batería

1. **Cargue la batería antes de que se descargue por completo. Deje de utilizar siempre la herramienta y cargue el cartucho de la batería cuando observe que tiene menos potencia.**
2. **No recargue nunca un cartucho de batería completamente cargado. La sobrecarga acorta la vida útil de la batería.**
3. **Cargue el cartucho de la batería a una temperatura ambiente que oscile entre 10 °C - 40 °C (50 °F - 104 °F). Antes de cargar un cartucho de batería caliente, deje que se enfríe.**

DESCRIPCIÓN DEL FUNCIONAMIENTO

PRECAUCIÓN:

- Antes de ajustar o de comprobar la herramienta, asegúrese siempre de que está apagada y de que la batería ha sido extraída.

Instalación o extracción del cartucho de la batería (Fig. 1)

- Apague siempre la herramienta antes de insertar o extraer el cartucho de la batería.
- Para extraer el cartucho de la batería, quítelo de la herramienta al mismo tiempo que pulsa los botones situados a ambos lados del cartucho.
- Para insertar el cartucho de la batería, alinee la lengüeta situada en el cartucho de la batería con la ranura del alojamiento e insértela. Insértela

completamente hasta que quede firmemente sujeta y se bloquee con un clic. De lo contrario, el cartucho puede desprenderse accidentalmente de la herramienta y causar lesiones al operario o a alguna persona que se encuentre cerca.

- No haga fuerza al insertar el cartucho de la batería. Si no se inserta suavemente, significa que no lo está instalando correctamente.

Botón de bloqueo (Fig. 2)

Cuando el botón de bloqueo se encuentra en la posición B de bloqueo, no se puede accionar el interruptor.

Cuando el botón de bloqueo se encuentra en la posición A de desbloqueo, se puede accionar el interruptor.

Funcionamiento del interruptor (Fig. 3)

PRECAUCIÓN:

- Antes de insertar el cartucho de la batería en la herramienta, asegúrese siempre de que el interruptor funciona como es debido y que vuelve a la posición "OFF" (apagado) al soltarlo.

Para poner en funcionamiento la herramienta, primero debe colocar el botón de bloqueo en la posición de desbloqueo A para liberar el interruptor. A continuación solamente tiene que pulsar el interruptor en el ⇐ lateral C para el giro en el sentido de las agujas del reloj y el lateral ⇨ D para el giro en el sentido contrario a las agujas del reloj. Suelte el interruptor para detener la herramienta.

PRECAUCIÓN:

- Antes de trabajar, compruebe siempre la dirección del giro.
- Cambie la dirección solamente cuando la herramienta se haya detenido por completo, ya que, de lo contrario, la herramienta podría averiarse.
- Cuando no utilice la herramienta, coloque siempre el interruptor de bloqueo en la posición de bloqueo Ⓑ.

Cambio de velocidad (Fig. 4)

Para cambiar la velocidad, apague primero la herramienta y después deslice la palanca de cambio de velocidad hacia el lado "2" para seleccionar la velocidad rápida o hacia el lado "1" para seleccionar la velocidad lenta.


Antes de trabajar, compruebe que la palanca de cambio de velocidad se encuentre en la posición pertinente. Seleccione la velocidad adecuada en función de la tarea que deba realizar.


PRECAUCIÓN:

- Coloque siempre la palanca de cambio de velocidad completamente en la posición pertinente. Si utiliza la herramienta cuando la palanca de cambio de velocidad se encuentra a medio camino entre el lado "1" y el lado "2", la herramienta puede averiarse.
- No utilice la palanca de cambio de velocidad mientras la herramienta está en funcionamiento, ya que, de lo contrario, la herramienta podría averiarse.

Ajuste del par de apriete (Fig. 5)


El par de apriete puede ajustarse en 21 pasos girando la anilla de ajuste de modo que sus graduaciones queden

alineadas con el puntero del cuerpo de la herramienta. El par de apriete es mínimo cuando el número 1 está alineado con el puntero y máximo cuando la marca  está alineada con el puntero.

El acoplamiento se desplazará por los distintos niveles de apriete cuando está ajustado entre los números 1 y 21. El acoplamiento se ha diseñado para que no se desplace cuando se ajusta en la marca .

Antes de realizar el trabajo propiamente dicho, realice un atornillamiento de prueba en el material o en una pieza que no deba utilizar del mismo material para determinar el nivel de apriete necesario para la tarea.

Directrices para la detención automática del acoplamiento

Intervalo de funcionamiento de la detención automática del acoplamiento		Incrementos de la anilla de ajuste para el par de apriete	Par de apriete
Alta velocidad	Baja velocidad		
La detención automática del acoplamiento funciona		1	Aprox. 0,3 N·m (Aprox. 3 Kgf·cm)
		5	Aprox. 0,82 N·m (Aprox. 8,4 Kgf·cm)
		9	Aprox. 1,35 N·m (Aprox. 13,8 Kgf·cm)
		13	Aprox. 1,88 N·m (Aprox. 19,2 Kgf·cm)
		17	Aprox. 2,41 N·m (Aprox. 24,6 Kgf·cm)
La detención automática del acoplamiento no funciona		21	Aprox. 2,9 N·m (Aprox. 30 Kgf·cm)
			Baja velocidad Aprox. 5 N·m (Aprox. 49 Kgf·cm) Alta velocidad Aprox. 1,5 N·m (Aprox. 14,7 Kgf·cm)

Cuando la herramienta atornilla	Incrementos	Directrices para el diámetro de tornillos para máquinas
	1 - 3	2,5 mm
	4 - 8	3 mm
	9 - 18	4 mm
	19 - 21	5 mm

Encendido de la luz frontal (Fig. 6 y 7)

PRECAUCIÓN:

- No mire hacia la luz ni mire directamente hacia la fuente de luz.

Para encender la luz, deslice el interruptor de la lámpara hasta la posición A.

Para apagar la luz, deslice el interruptor de la lámpara hasta la posición B.

Aunque deje la lámpara encendida, la luz se apagará automáticamente tras 5 minutos.

Comprobación de la capacidad restante de la batería, detención automática

La lámpara indica mediante un parpadeo cuándo está a punto de agotarse la batería durante el uso.

En ese caso, recargue la batería o sustitúyala con una totalmente cargada.

MONTAJE

PRECAUCIÓN:

- Asegúrese siempre de que el botón de bloqueo esté en la posición de bloqueo B y que el cartucho de la batería se haya extraído antes de realizar cualquier trabajo en la herramienta.

Instalación o extracción de la punta del destornillador o de la broca de vaso (Fig. 8)

Utilice únicamente la broca de destornillador o la broca de vaso como se muestra en la figura.

No utilice ninguna otra broca de destornillador o broca de vaso.

Para países de Europa, Norteamérica, Sudamérica, Australia y Nueva Zelanda

A=12 mm B=9 mm	Utilice solamente este tipo de punta. Siga el procedimiento (1). (Nota) La pieza de punta no es necesaria.
-------------------	---

Para otros países

A=17 mm B=14 mm	Para instalar estos tipos de puntas, siga el procedimiento (1). (Nota) Las puntas de Makita son de estos tipos.
A=12 mm B=9 mm	Para instalar estos tipos de puntas, siga el procedimiento (2). (Nota) La pieza de punta es necesaria para instalar la punta.

- Para instalar la punta, tire de la camisa en la dirección de la flecha e inserte la punta en la camisa lo máximo posible. A continuación suelte la camisa para fijar la punta. (Fig. 9)
- Para instalar la punta, tire de la camisa en la dirección de la flecha e inserte la pieza de punta y la punta en la camisa lo máximo posible. La pieza de punta debe insertarse en la camisa con el extremo puntiagudo hacia dentro. A continuación suelte la camisa para fijar la punta. (Fig. 10)

Para extraer la punta, tire de la camisa en la dirección de la flecha y tire firmemente de la punta.

NOTA:

- Si la punta no se ha insertado suficientemente en la camisa, la camisa no volverá a su posición original y la punta no estará fijada. En ese caso, intente volver a insertar la punta de acuerdo con las instrucciones anteriores.

MANEJO

La herramienta se puede usar de una de las siguientes dos formas, como tipo recto y como tipo de pistola, que se puede seleccionar de acuerdo con las condiciones del lugar de trabajo y de atornillamiento. (Fig. 11)

Función de atornillamiento (Fig. 12)

PRECAUCIÓN:

- Fije la anilla de ajuste en el par de apriete adecuado para la tarea que deba realizar.

Coloque la punta del destornillador en la cabeza del tornillo y ejerza presión sobre la herramienta. A continuación, ponga en marcha la herramienta. Cuando se active el embrague, el motor se detendrá automáticamente. En ese momento, suelte el interruptor.

PRECAUCIÓN:


- Asegúrese de insertar la punta del destornillador en la cabeza del tornillo de forma recta, ya que, de lo contrario, el tornillo y/o la punta podrían sufrir daños.

NOTA:

- Cuando utilice tornillos para madera, perfore primero unos orificios a modo de guía para facilitar el atornillamiento y evitar la fragmentación del material. Consulte la figura.

Diámetro nominal de los tornillos para madera (mm)	Tamaño recomendado del orificio guía (mm)
3,1	2,0 - 2,2
3,5	2,2 - 2,5
3,8	2,5 - 2,8
4,5	2,9 - 3,2
4,8	3,1 - 3,4
5,1	3,3 - 3,6
5,5	3,7 - 3,9
5,8	4,0 - 4,2
6,1	4,2 - 4,4

Operación de perforación

En primer lugar, gire la anilla de ajuste de modo que el puntero quede alineado con la marca . A continuación, siga estas indicaciones.

Perforación en madera

Los mejores resultados al realizar una perforación en madera se obtienen con las brocas para madera equipadas con un tornillo guía, ya que facilita la perforación puesto que inserta la broca en la pieza de trabajo.

Perforación en metal

Para evitar que la broca resbale al empezar la perforación, realice una mella con un punzón para marcas y un martillo en el punto exacto de la perforación. Sitúe la broca en la mella y empiece a perforar.

Utilice un lubricante para cortes cuando perfore metales, salvo para el hierro y el bronce, ya que deben perforarse en seco.

PRECAUCIÓN:

- Apretar la herramienta en exceso no acelerará la perforación. De hecho, esta presión excesiva sólo servirá para dañar la punta de la broca, reducir el rendimiento de la herramienta y acortar su vida útil.
- En el momento de realizar el orificio, se ejerce una presión enorme sobre la herramienta y la broca. Sujete firmemente la herramienta y tenga mucho cuidado cuando la broca empieza a perforar el material.
- Para sacar una broca atascada, sólo tiene que ajustar el interruptor de inversión en el giro inverso. Sin embargo, la herramienta puede retroceder bruscamente si no la sujeta con fuerza.
- Sujete siempre las piezas de trabajo pequeñas en una prensa de tornillo o un dispositivo de sujeción similar.
- Si la herramienta se utiliza continuamente hasta que el cartucho de la batería se descarga, deje reposar la herramienta durante 15 minutos antes de continuar con una batería cargada.

Uso de la herramienta como destornillador de mano (Fig. 13)

Apague la herramienta.

Mueva el botón de bloqueo hasta la posición de bloqueo A.

Gire la herramienta.

NOTA:

- Use la herramienta con un par de apriete inferior a 5 Nm (50 kgf.cm).
- Este uso es útil para comprobar el atornillamiento.
- No utilice la herramienta para trabajos que requieran una fuerza excesiva, como el apriete de pernos M6 o pernos superiores a M6 o para extraer tornillos oxidados.

MANTENIMIENTO

PRECAUCIÓN:

- Asegúrese de apagar siempre la herramienta y extraer el cartucho de la batería antes de intentar realizar cualquier trabajo de inspección o mantenimiento en ella.

Para conservar la SEGURIDAD y la FIABILIDAD del producto, los trabajos de reparación y otros trabajos de mantenimiento y ajuste deberán ser realizados en centros de servicio autorizados de Makita, utilizando siempre repuestos Makita.

ACCESORIOS

PRECAUCIÓN:

- Se recomienda el uso de estos accesorios o complementos con la herramienta Makita especificada en este manual. El uso de otros accesorios o complementos puede conllevar el riesgo de ocasionar daños corporales. Utilice los accesorios o complementos solamente para su fin establecido.

Si necesita cualquier ayuda para obtener más información relativa a estos accesorios, pregunte al centro de servicio Makita local.

- Brocas de taladro
- Puntas de destornillador
- Brocas de zócalo
- Pieza de punta
- Diversos tipos de baterías y cargadores originales de Makita
- Maletín de plástico para el transporte

Sólo para los países europeos

Ruido ENG101-1
 Nivel de ruido típico de ponderación A establecido según EN60745-2-1:

Nivel de presión de sonido (L_{pA}): 70 dB (A)
 Incertidumbre (K): 3 dB (A)

El nivel de ruido durante el trabajo puede superar los 85 dB (A).

Utilice protección para los oídos.

Vibración ENG202-1
 Valor total de la vibración (suma de vectores triaxiales) determinada según el estándar EN60745-2-1:

Modo de trabajo: taladrado en metal
 Emisión de vibraciones ($a_{h,D}$): 2,5 m/s² o menos

DECLARACIÓN DE CONFORMIDAD DE LA CE
Modelo; DF010D ENH102-7

Declaramos bajo nuestra exclusiva responsabilidad que este producto cumple con los siguientes estándares de documentos estandarizados; EN60745, EN55014 de acuerdo con las directivas del Consejo, 2004/108/EC, 98/37/EC.

CE 2007



Tomoyasu Kato
 Director

Fabricante responsable:

Makita Corporation
 3-11-8, Sumiyoshi-cho, Anjo, Aichi, JAPÓN
 Representante autorizado en Europa:

Makita International Europe Ltd.
 Michigan Drive, Tongwell, Milton Keynes, Bucks MK15 8JD, ENGLAND

Descrição geral

- | | | |
|--------------------------------------|---------------------------|-----------|
| 1. Botão | 6. Graduação | 12. Ponta |
| 2. Bateria | 7. Anel de ajuste | 13. Manga |
| 3. Botão de bloqueio | 8. Ponteiro | |
| 4. Interruptor | 9. Interruptor da lâmpada | |
| 5. Manípulo de mudança de velocidade | 10. Lâmpada | |
| | 11. Broca | |

ESPECIFICAÇÕES

Modelo		DF010D
Capacidades	Aço	5 mm
	Madeira	6 mm
	Parafuso de madeira	Φ3,8 mm x 45 mm
	Parafuso da máquina	M5
Sem velocidade de rotação em carga (mín. ⁻¹)	Alto (2)	650
	Baixo (1)	200
Comprimento total	Tipo recto	279 mm
	Tipo pistola	224 mm
Peso líquido		0,55 kg
Voltagem nominal		CC 7,2 V

- Devido à pesquisa e desenvolvimento constantes, estas especificações estão sujeitas a alteração sem aviso prévio.
- Nota: estas especificações podem diferir de país para país.

Utilização prevista ENE034-1
 A ferramenta destina-se a perfurar e aparafusar em madeira, metal e plástico.

REGRAS DE SEGURANÇA ESPECÍFICAS

GEB002-2

NÃO deixe que o progressivo à-vontade com o produto (resultante de uma utilização frequente) o faça esquecer o estrito cumprimento das regras de segurança para a funcionalidade de perfuração. Se utilizar a ferramenta incorrectamente ou não respeitar as regras de segurança, poderá ferir-se gravemente.

1. Quando executar operações em que acessórios de corte possam entrar em contacto com fios eléctricos ocultos ou com próprio cabo eléctrico da ferramenta, tenha o cuidado de tocar apenas nas superfícies isoladas desses acessórios. O contacto com um fio eléctrico ligado à corrente pode electrificar as peças de metal da ferramenta e causar um choque.
2. Procure uma posição em pé estável e firme. Se utilizar a ferramenta em locais altos, verifique se não há ninguém por baixo.
3. Segure bem na ferramenta.
4. Afaste as mãos das peças em movimento.
5. Não abandone a ferramenta a funcionar. Ponha-a a funcionar apenas quando estiver a segurá-la.
6. Não toque numa broca ou no material em que tiver estado a trabalhar logo após a operação porque podem estar demasiado quentes.

7. Alguns materiais contêm produtos químicos que podem ser tóxicos. Tenha cuidado para evitar a inalação de pó e contacto com a pele. Siga as instruções de segurança do fornecedor do material.

GUARDE ESTAS INSTRUÇÕES.

AVISO:
 A UTILIZAÇÃO INCORRECTA ou o não cumprimento das regras de segurança fornecidas neste manual de instruções podem provocar ferimentos graves.

INSTRUÇÕES DE SEGURANÇA IMPORTANTES

ENC007-2

RELATIVAS À BATERIA

1. Antes de utilizar a bateria leia as instruções e chamadas de atenção de: (1) o carregador da bateria, (2) a bateria e, (3) o produto que utiliza a bateria.
2. Não desmonte a bateria.
3. Se o tempo de utilização com bateria se tornar demasiado curto, deve parar imediatamente. Se continuar, pode causar sobreaquecimento, fogo e mesmo explosão.
4. Se o electrolito entrar em contacto com os olhos, enxagúe-os com água limpa e consulte imediatamente um médico. Os riscos incluem perda de visão.
5. Não provoque um curto-circuito na bateria:

- (1) Não deixe que quaisquer materiais condutores entrem em contacto com os terminais da bateria.
 - (2) Evite guardar a bateria juntamente com outros objectos de metal como moedas, por exemplo.
 - (3) Não exponha a bateria a água ou chuva. Um curto-circuito na bateria pode criar uma grande carga eléctrica, sobreaquecimento, fogo e uma quebra da corrente.
6. Não guarde a ferramenta e a bateria em locais onde a temperatura possa atingir ou exceder 50 °C.
 7. Não incinere a bateria, nem mesmo que esta se tenha avariado irremediavelmente ou se tenha gasto completamente com o uso. Pode explodir e causar fogo.
 8. Não a deixe cair e evite o choque com outros objectos.

GUARDE ESTAS INSTRUÇÕES.

Dicas para o máximo de tempo de vida da bateria

1. Não espere que a bateria se gaste completamente para voltar a carregá-la. Pare a ferramenta e carregue a bateria sempre que detectar um baixo nível de energia.
2. Nunca volte a carregar uma bateria já completamente carregada. O carregamento excessivo diminui o tempo de vida das baterias.
3. Carregue a bateria a uma temperatura ambiente de 10 °C - 40 °C. Se a bateria estiver quente, deixe-a arrefecer antes de iniciar o carregamento.

DESCRIÇÃO DO FUNCIONAMENTO

PRECAUÇÃO:

- Certifique-se sempre de que a ferramenta está desligada e a bateria foi removida antes de proceder a ajustamentos ou testar acessórios.

Inserir ou retirar a bateria (Fig. 1)

- Sempre que for inserir ou remover a bateria, desligue a ferramenta.
- Para retirar a bateria, puxe-a para fora ao mesmo tempo que prime os botões em ambos os lados do cartucho.
- Para inserir a bateria alinhe-a com a calha recolhida e encaixe-a suavemente. Insira-a completamente até sentir um clique de encaixe. Caso contrário, pode cair da ferramenta e causar ferimentos em si, ou em alguém que esteja perto de si.
- Não exerça força ao inserir a bateria. Se não encaixar facilmente é porque não está correctamente posicionada.

Botão de bloqueio (Fig. 2)

Quando o botão de bloqueio está na posição de bloqueio B, não é possível accionar o interruptor.

Quando o botão de bloqueio está na posição de desbloqueio A, é possível accionar o interruptor.

O gatilho/interruptor (Fig. 3)

PRECAUÇÃO:

- Antes de inserir a pilha na ferramenta, verifique se o gatilho está a funcionar correctamente e se regressa à posição "OFF" quando o solta.

Para ligar a ferramenta, mova primeiro o botão de bloqueio para a posição de desbloqueio A, para soltar o interruptor. De seguida, basta premir o interruptor no lado C ⇔ no sentido dos ponteiros do relógio e o lado ⇨ D para o sentido contrário ao dos ponteiros do relógio. Solte o interruptor para parar.

PRECAUÇÃO:

- Verifique sempre a direcção da rotação antes da operação.
- Mude de direcção unicamente quando a ferramenta estiver completamente parada. Se alterar a direcção da rotação antes da ferramenta ter parado pode avariá-la.
- Quando não utilizar a ferramenta, coloque sempre o botão de bloqueio na posição bloqueada B.

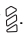
Alteração da velocidade (Fig. 4)


Para alterar a velocidade, primeiro desligue a ferramenta e, em seguida, coloque o manípulo de mudança de velocidade na posição "2" para uma velocidade alta, e na posição "1" para uma velocidade baixa. Certifique-se de que o manípulo de mudança de velocidade está na posição desejada antes de pôr a ferramenta a funcionar. Selezionare a velocidade adequada ao trabalho que vai executar.

PRECAUÇÃO:

- Certifique-se de que o manípulo de mudança de velocidade fica colocado na posição correcta. Se puser a ferramenta a funcionar com o manípulo de mudança de velocidade numa posição indefinida entre as posições "1" e "2", a ferramenta pode avariar-se.
- Não utilize o manípulo de mudança de velocidade com a ferramenta em funcionamento. Pode avariar a ferramenta.


Ajuste da torção (Fig. 5)

O binário de aperto tem 21 posições que podem ser reguladas com o anel de ajuste, alinhando as graduações relativamente ao ponteiro existente no corpo da ferramenta. A posição mínima corresponde ao alinhamento da seta com o número 1, e a posição máxima ao alinhamento do ponteiro com o indicador .

A embraiagem patinará a vários níveis de binário quando o definido no número 1 a 21. A embraiagem foi concebida para não patinar no indicador .

Antes da operação propriamente dita, execute um teste; pode utilizar um pedaço desnecessário do mesmo material para determinar o nível adequado para o caso em particular.

Guia para a paragem automática da embraiagem

Intervalo de trabalho da paragem automática da embraiagem		Incrementos no anel de ajuste para o binário de aperto	Binário de aperto
Velocidade alta	Velocidade baixa		
A paragem automática da embraiagem funciona		1	Aprox. 0,3 N-m (Aprox. 3 Kgf-cm)
		5	Aprox. 0,82 N-m (Aprox. 8,4 Kgf-cm)
		9	Aprox. 1,35 N-m (Aprox. 13,8 Kgf-cm)
		13	Aprox. 1,88 N-m (Aprox. 19,2 Kgf-cm)
		17	Aprox. 2,41 N-m (Aprox. 24,6 Kgf-cm)
A paragem automática da embraiagem não funciona		21	Aprox. 2,9 N-m (Aprox. 30 Kgf-cm)
			Velocidade baixa Aprox. 5 N-m (Aprox. 49 Kgf-cm)
			Velocidade alta Aprox. 1,5 N-m (Aprox. 1,7 Kgf-cm)

Quando apertar parafusos de máquina	Incrementos	Guia para o diâmetro de parafuso de máquina
	1 - 3	2,5 mm
	4 - 8	3 mm
	9 - 18	4 mm
	19 - 21	5 mm

A luz incorporada na ferramenta (Fig. 6 e 7)

PRECAUÇÃO:

- Não olhe directamente para a luz da ferramenta.

Para ligar a luz, deslize primeiro o interruptor da luz para a posição A. Para apagar a luz, deslize o interruptor da luz para a posição B.

Se deixar a lâmpada acesa, a luz desligar-se-á após 5 minutos.

Verificar a capacidade restante da bateria, paragem automática

A lâmpada sinaliza através de intermitência quando a carga da bateria está quase esgotada.

Neste momento, recarregue a bateria ou substitua-a por uma totalmente carregada.

MONTAGEM

PRECAUÇÃO:

- Certifique-se sempre de que o botão de bloqueio está na posição de bloqueio B e que a bateria está removida, antes de efectuar qualquer trabalho na ferramenta.

Instalar ou retirar brocas ou encaixes (Fig. 8)

Utilize apenas as brocas ou encaixes apresentados na figura.

Não utilize qualquer outra broca ou encaixe.

Para os países da Europa, América do Norte e do Sul, Austrália e Nova Zelândia

A=12mm B=9mm	Utilize apenas este tipo de broca. Siga o procedimento (1). (Nota) Não é necessário acessório para brocas.
-----------------	---

Para outros países

A=17mm B=14mm	Para instalar estes tipos de brocas, siga o procedimento (1). (Nota) As brocas Makita são destes tipos.
A=12mm B=9mm	Para instalar estes tipos de brocas, siga o procedimento (2). (Nota) É necessário um acessório para instalar a broca.

1. Para instalar a ponta, puxe a manga na direcção da seta e insira a ponta na manga o máximo possível. De seguida, solte a manga para fixar a ponta. **(Fig. 9)**
2. Para instalar a ponta, puxe a manga na direcção da seta e insira o acessório e a broca na manga, o máximo possível. O acessório para brocas deve ser inserido na manga com a extremidade pontiaguda virada para dentro. De seguida, solte a manga para ficar a broca. **(Fig. 10)**

Para remover a broca, puxe a manga na direcção da seta e puxe a broca para fora com firmeza.

NOTA:

- Se a ponta não estiver suficientemente inserida na manga, esta não volta à posição original e a ponta não fica segura. Neste caso, tente inserir novamente a ponta de acordo com as instruções acima.

FUNCIONAMENTO

A ferramenta pode ser utilizada de duas formas; um tipo recto e um tipo pistola, que é seleccionável de acordo com as condições do local de trabalho e introdução de parafusos. **(Fig. 11)**

Função de aparafusamento (Fig. 12)

PRECAUÇÃO:

- Ajuste o anel para um nível adequado ao trabalho. Coloque o acessório de chave de fendas e aperte. De seguida, ligue a ferramenta. Quando a embraiagem for activada, o motor parará automaticamente. Depois, solte o interruptor.

PRECAUÇÃO:


- Certifique-se de que o acessório está bem colocado, para que não se danifique.

NOTA:

- Em madeira, faça um orifício piloto no ponto pretendido para tornar a perfuração mais fácil e evitar que a madeira estale. Ver gráfico

Diâmetro nominal da perfuração em madeira (mm)	Tamanho recomendado para o orifício piloto (mm)
3,1	2,0 - 2,2
3,5	2,2 - 2,5
3,8	2,5 - 2,8
4,5	2,9 - 3,2
4,8	3,1 - 3,4
5,1	3,3 - 3,6
5,5	3,7 - 3,9
5,8	4,0 - 4,2
6,1	4,2 - 4,4

Função de perfuração

Primeiro ajuste o anel de modo a alinhar o ponteiro com a marca . Depois faça o seguinte.

Perfuração em madeira

Se perfurar madeira, para obter os melhores resultados utilize brocas de madeira com uma ponta de parafuso. A ponta de parafuso torna a perfuração mais fácil, fazendo a broca penetrar o material.

Perfuração em metal

Para evitar que a broca salte ao iniciar a perfuração, crie também um orifício piloto com um cinzel e um martelo, no ponto que deseja perfurar. Coloque a ponta da broca no orifício piloto e inicie a perfuração.

Utilize um lubrificante de corte para perfurar metais.

Excepto em ferro e latão, que devem ser perfurados a seco.

PRECAUÇÃO:

- Exercer muita força sobre a ferramenta não irá aumentar a velocidade de perfuração. Na verdade, o excesso de força acabará apenas por danificar a ponta da broca, reduzir o desempenho da ferramenta e diminuir o seu tempo de vida útil.
- No início da perfuração já é exercida uma enorme força na broca e na própria ferramenta. Mantenha a ferramenta firme e concentre-se no posicionamento da broca.
- Uma broca encravada pode ser retirada com facilidade invertendo o respectivo sentido de rotação através do interruptor de inversão de rotação. No entanto, tenha em atenção que, se não a segurar com firmeza, a ferramenta pode retroceder abruptamente.
- Quando trabalhar em peças pequenas, fixe-as num torno ou num dispositivo semelhante.
- Se mantiver a ferramenta a funcionar ininterruptamente até a bateria se gastar completamente, deixe-a em repouso durante 15 minutos antes de substituir a bateria.

Utilizar a ferramenta como uma chave de fendas manual (Fig. 13)

Desligue a ferramenta.

Desloque o botão de bloqueio para a posição de bloqueio A.

Rode a ferramenta.

NOTA:

- Utilize a ferramenta com um binário de aperto inferior a 5 Nm (50 kgf.cm).
- Esta utilização é conveniente para verificar a introdução de parafusos.
- Não utilize a ferramenta para trabalhos que necessitem de força excessiva, tais como apertar um parafuso M6 ou parafusos superiores a M6 ou remover parafusos enferrujados.

MANUTENÇÃO**PRECAUÇÃO:**

- Certifique-se sempre de que a ferramenta está desligada e a bateria removida antes de efectuar operações de inspecção ou de manutenção.

Para manter os níveis de SEGURANÇA e FIABILIDADE definidos para este produto, reparações, operações de manutenção ou ajustes devem ser executados por centros de assistência Makita autorizados e, no caso de substituição de peças, estas devem ser igualmente Makita.

ACESSÓRIOS**PRECAUÇÃO:**

- Os seguintes acessórios ou extensões são os recomendados para utilizar com a ferramenta Makita especificada neste manual. A utilização de outros acessórios ou extensões podem provocar ferimentos. Utilize cada acessório ou extensão apenas para o fim indicado.

Se precisar de informações adicionais relativas aos acessórios, contacte o centro local de assistência Makita.

- Brocas de perfuração
- Brocas de aparafusamento
- Brocas-chave
- Ponta
- Vários tipos de baterias e carregadores Makita genuínos.
- Mala de transporte de plástico

Apenas para os países europeus

Ruído ENG101-1

Os níveis acústicos ponderados A típicos foram determinados segundo a EN60745-2-1:

Nível de pressão sonora (L_{pA}): 70 dB (A)

Imprecisão (K): 3 dB (A)

O nível de ruído quando em funcionamento pode exceder os 85 dB (A).

Use protecção para os ouvidos.

Vibração ENG202-1

O valor total da vibração (soma triaxial de vectores) foi determinado segundo a EN60745-2-1:

Modo de trabalho: perfuração em metal

Emissão de vibração ($a_{h,D}$): 2,5 m/s² ou menos

DECLARAÇÃO DE CONFORMIDADE CE

Modelo; DF010D ENH102-7

Declaramos, sob a nossa única responsabilidade, que este produto está em conformidade com as seguintes normas de documentos normalizados; EN60745, EN55014 em conformidade com as Directivas do Conselho, 2004/108/CE, 98/37/CE.

CE 2007



Tomoyasu Kato
Administrador

Fabricante responsável:

Makita Corporation

3-11-8, Sumiyoshi-cho, Anjo, Aichi, JAPÃO

Representante autorizado na Europa:

Makita International Europe Ltd.

Michigan Drive, Tongwell, Milton Keynes, Bucks MK15
8JD, INGLATERRA

Forklaring til generel oversigt

- | | | |
|----------------------|-------------------|-----------------|
| 1. Knap | 6. Gradinddeling | 11. Spids |
| 2. Batteripakke | 7. Justeringsring | 12. Spidsstykke |
| 3. Låseknap | 8. Pål | 13. Muffe |
| 4. Kontakt | 9. Lampekontakt | |
| 5. Hastighedshåndtag | 10. Lampe | |

SPECIFIKATIONER

Model		DF010D
Kapaciteter	Stål	5 mm
	Træ	6 mm
	Træskruer	Φ3,8 mm x 45 mm
	Maskinskrue	M5
Hastighed uden belastning (min ⁻¹)	Høj (2)	650
	Lav (1)	200
Længde i alt	Lige type	279 mm
	Pistoltype	224 mm
Nettovægt		0,55 kg
Nominel spænding		7,2 V DC

- På grund af vores løbende forsknings- og udviklingsprogram kan specifikationerne heri ændres uden forudgående varsel.
- Bemærk: Specifikationerne kan variere fra land til land.

Tilsigtet anvendelse ENE034-1

Værktøjet er beregnet til at bore og skrue skrue i træ, metal og plastik.

SPECIFIKKE SIKKERHEDSREGLER

GEB002-2

LAD IKKE tryghed eller kendskab til produktet (fra gentagen brug) føre til, at De ikke strengt overholder sikkerhedsreglerne for boret. Hvis maskinen anvendes på usikker eller forkert vis, kan De komme alvorligt til skade.

1. Hold maskiner i de isolerede gribeblader, når De udfører arbejde, hvor skæreværktøjet kan komme i kontakt med skjulte ledninger eller værktøjets egen ledning. Ved kontakt med strømførende ledninger bliver udsatte metaldele på værktøjet strømførende, hvorved operatøren kan få elektrisk stød.
2. Sørg altid for at have et solidt fodfæste. Sørg for, at der ikke er nogen under Dem, når De benytter værktøjet på højtliggende steder.
3. Hold godt fast i værktøjet.
4. Hold hænderne på afstand af roterende dele.
5. Gå ikke fra værktøjet, mens det kører. Lad kun værktøjet køre, mens De holder det i hænderne.
6. Bør ikke borespidsen eller arbejdsømmet umiddelbart efter brugen. De kan være meget varme og kan forårsage forbrændinger af huden.
7. Nogle materialer indeholder kemikalier, som kan være giftige. Undgå at indånde støv eller at få det på huden. Følg sikkerhedsinstruktionerne fra leverandøren af materialerne.

GEM DISSE INSTRUKTIONER.**ADVARSEL:**

MISBRUG eller manglende overholdelse af sikkerhedsreglerne i denne brugsanvisning kan medføre alvorlig personskade.

VIGTIGE SIKKERHEDSINSTRUKTIONER

ENC007-2

FOR BATTERIPAKKEN

1. Før brugen af batteripakken skal De læse alle instruktioner og advarsler på (1) batteriopladeren, (2) batteriet og (3) det produkt, som batteriet anvendes i.
2. Skil ikke batteripakken ad.
3. Hvis driftstiden bliver betydeligt kortere, skal De straks ophøre med brugen. Brug kan medføre risiko for overophedning, mulige forbrændinger eller endog eksplosion.
4. Hvis De får elektrolyt i øjnene, skal De med det samme rense øjnene med rent vand og søge læge. Dette kan medføre tab af synet.
5. Kortslut ikke batteripakken:
 - (1) Undgå at berøre terminalerne med ledende materiale.
 - (2) Undgå at opbevare batteripakken i en beholder med andre metalgenstande som f.eks. søm, mønter osv.

- (3) **Udsæt ikke batteripakken for vand eller regn.** Hvis batteriet kortsluttes, kan det medføre voldsom strøm, overophedning, mulige forbrændinger og endog nedbrud.
- 6. **Undgå at opbevare værktøjet og batteripakken på steder, hvor temperaturen kan komme op på eller overstige 50 °C (122 °F).**
- 7. **Sæt ikke ild til batteripakken, selvom den er alvorligt beskadiget eller helt udtjent.** Batteripakken kan eksplodere ved brand.
- 8. **Undgå at tabe eller slå på batteriet.**

GEM DISSE INSTRUKTIONER.

Tip til, hvordan De forlænger batteriets levetid

1. **Udskift batteripakken, før den bliver helt afladet.** Ophør med at bruge værktøjet, og oplad batteripakken, hvis strømmen til værktøjet aftager.
2. **Oplad aldrig en fuldt opladet batteripakke.** Overopladning forkorter batteriets levetid.
3. **Oplad batteripakken ved stuetemperatur på 10 °C – 40 °C (50 °F – 104 °F).** Lad batteripakken køle ned, før den oplades, hvis den er varm.

FUNKTIONSBESKRIVELSE

FORSIGTIG:

- Sørg altid for, at værktøjet er slukket, og at batteripakken er taget ud, før De justerer værktøjet eller kontrollerer dets funktion.

Montering eller afmontering af batteripakken (Fig. 1)

- Sluk altid for værktøjet, før De monterer eller afmonterer batteripakken.
- Ved afmontering af batteripakken trækkes den ud af værktøjet, mens der trykkes på knapperne på begge sider af pakken.
- Ved montering af batteripakken justeres tungen på batteripakken med rillen i huset, hvorefter pakken skubbes på plads. Sæt den altid hele vejen ind, indtil den låses på plads med et lille klik. Ellers kan den falde ud af værktøjet og skade Dem eller andre personer i nærheden.
- Brug ikke magt ved montering af batteripakken. Hvis den ikke glider let ind, er den ikke indsat korrekt.

Låseknop (Fig. 2)

Når låseknappen er i den låste position B, kan kontakten ikke reagere.

Når låseknappen er i den ulåste position A, kan kontakten reagere.


Betjening af kontakt (Fig. 3)

FORSIGTIG:

- Før batteripakken sættes i værktøjet, skal De altid kontrollere, at kontakten reagerer korrekt og vender tilbage i "OFF"-stillingen, når De slipper det.

Start værktøjet ved først at flytte låseknappen til den ulåste position A for på den måde at frigøre kontakten. Og drej derefter helt enkelt kontakten på ⇐ C-siden med urets retning og ⇒ D-siden mod uret. Stop ved at slippe kontakten.

FORSIGTIG:

- Kontroller altid rotationsretningen før anvendelsen.
- Vend kun retningen, efter at værktøjet er helt stoppet. Hvis rotationsretningen ændres, når værktøjet ikke er helt stoppet, kan det beskadige værktøjet.
- Når værktøjet ikke betjenes, skal låseknappen altid være i låst position .

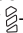
Ændring af hastigheden (Fig. 4)


Hvis De vil ændre hastigheden, skal De først slukke for værktøjet og derefter trække hastighedshåndtaget mod siden "2" for høj hastighed eller mod siden "1" for lav hastighed. Kontroller før anvendelsen, at hastighedshåndtaget er i den korrekte stilling. Brug den rette hastighed til jobbet.

FORSIGTIG:

- Sæt altid hastighedshåndtaget helt ud i den rette stilling. Hvis værktøjet betjenes med hastighedshåndtaget indstillet halvvejs mellem "1" og "2", kan det beskadige værktøjet.
- Betjen ikke hastighedshåndtaget, mens værktøjet kører. Dette kan beskadige værktøjet.


Justering af strammingsmomentet (Fig. 5)

Strammingsmomentet kan indstilles til 21 trin ved at dreje på justeringsringen, så dens gradinddelinger er justeret med pilen på værktøjet. Strammingsmomentet er mindst, når tallet 1 er justeret med pilen, og højest, når -mærket er justeret med pilen.

Koblingen slipper ved de forskellige strammingsmomenter, når det er indstillet til tallene 1 til 21. Koblingen er designet til ikke at slippe ved -indstillingen.

Før den faktiske anvendelse skal De sætte en prøveskrue i arbejdsemnet eller i et stykke lignende materiale for at finde ud af, hvilket moment der kræves til en bestemt anvendelse.

Hjælpelinje for automatisk stop af kobling

Arbejdsrækkevidde af koblingens automatiske stop		Trin på justeringsring til strammingsmoment	Strammingsmoment
Høj hastighed	Lav hastighed		
Koblingens automatiske stop virker		1	Ca. 0,3 N·m (Ca. 3 Kgf·cm)
		5	Ca. 0,82 N·m (Ca. 8,4 Kgf·cm)
		9	Ca. 1,35 N·m (Ca. 13,8 Kgf·cm)
		13	Ca. 1,88 N·m (Ca. 19,2 Kgf·cm)
		17	Ca. 2,41 N·m (Ca. 24,6 Kgf·cm)
Koblings automatiske stop virker ikke		21	Ca. 2,9 N·m (Ca. 30 Kgf·cm)
			Lav hastighed Ca. 5 N·m (Ca. 49 Kgf·cm)
			Høj hastighed Ca. 1,5 N·m (Ca. 14,7 Kgf·cm)

Når boremaskinen skrues	Trin	Hjælpelinje for maskinens skruediameter
	1 - 3	2,5 mm
	4 - 8	3 mm
	9 - 18	4 mm
	19 - 21	5 mm

Tænding af lampen (Fig. 6 og 7)

FORSIGTIG:

- Se ikke direkte ind i lyset eller lyskilden.

Tænd lyset ved først at trække lampekontakten til position A.

Sluk lyset ved at trække lampekontakten til position B.

Hvis De lader lampen være tændt, slukkes lyset automatisk efter 5 minutter.

Kontrol af den resterende batterikapacitet, automatisk stop

Lampen signalerer ved at blinke, når batteriet næsten er brugt op under brug.

Genoplad på dette tidspunkt batteriet, eller udskift det med et, der er fuldt opladet.

MONTERING

FORSIGTIG:

- Sørg altid for, at låseknappen er i den låste position B, og at batteripakken er taget ud, før De udfører nogen form for arbejde på værktøjet.

Montering eller afmontering af drevspidsen eller borholderspidsen (Fig. 8)

Brug kun borespidsen eller borholderspidsen, der er vist på figuren.

Brug ikke nogen anden borespids eller borholderspids.

Gælder lande i Europa og Sydamerika, Australien og New Zealand

A = 12 mm B = 9 mm	Brug kun denne type bit. Følg fremgangsmåden (1). (Bemærk) Spidsstykke er ikke nødvendig.
-----------------------	--

Gældende for andre lande

A = 17 mm B = 14 mm	Installer disse spidstyper ved at følge fremgangsmåden (1). (Bemærk) Makita-spids er af denne type.
A = 12 mm B = 9 mm	Installer disse spidstyper ved at følge fremgangsmåden (2). (Bemærk) Spidsstykke er nødvendig til installation af spidsen.

- Træk muffen i pilens retning, og sæt spidsen så langt ind i muffen, som den kan komme, for at montere spidsen. Slip derefter muffen for at låse spidsen fast. (Fig. 9).
 - Træk muffen i pilens retning, og sæt spidsstykket og spidsen så langt ind i muffen, som den kan komme, for at montere spidsen. Spidsstykket skal sættes ind i muffen med den spidse ende mod den. Slip derefter muffen for at fastgøre spidsen. (Fig. 10).
- Fjern spidsen ved at trække muffen i retning af pilen, og træk spidsen ud med et fast greb.

BEMÆRK:

- Hvis spidsen ikke sidder langt nok ind i muffen, kan muffen ikke vende tilbage i den oprindelige position, og spidsen vil ikke sidde fast. Prøv i så fald at sætte spidsen ind igen i overensstemmelse med ovenstående instruktioner.

BETJENING

Værktøjet kan bruges på to måder: som en lige type og som en pistoltype, og den relevante vælges efter forholdene på arbejdsstedet og skruetrækningen. (Fig. 11).

Betjening som skruetrækker (Fig. 12)

FORSIGTIG:

- Indstil justeringsringen til det rigtige strammingsmoment til formålet.

Placer drevspidsen i skruhovedet, og tryk med værktøjet. Tænd derefter for værktøjet. Når koblingen går i indgreb, stopper motoren automatisk. Slip derefter kontakten.

FORSIGTIG:

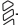
- Sørg for, at drevspidsen sættes lige ned i skruhovedet. I modsat fald kan skruen og/eller spidsen blive beskadiget.

BEMÆRK:

- Ved skruning af træskruer skal De forbore styrehuller for at gøre det lettere at sætte skrueerne i og for at forhindre, at arbejdsemnet flækker. Se diagrammet.

Nominal diameter af træskruer (mm)	Anbefalet størrelse af styrehul (mm)
3,1	2,0 - 2,2
3,5	2,2 - 2,5
3,8	2,5 - 2,8
4,5	2,9 - 3,2
4,8	3,1 - 3,4
5,1	3,3 - 3,6
5,5	3,7 - 3,9
5,8	4,0 - 4,2
6,1	4,2 - 4,4

Anvendelse til boring

Drej først justeringsringen, så pilen peger mod -mærket. Benyt derefter følgende fremgangsmåde.

Boring i træ

Ved boring i træ opnås de bedste resultater med træbor, som er udstyret med en styreskruer. Styreskruen gør det lettere at bore ved at trække spidsen ind i arbejdsemnet.

Boring i metal

Lav en fordybning med en kørner og en hammer på det sted, hvor der skal bores, for at forhindre, at spidsen glider, når De starter på et hul. Placer spidsen i fordybningen, og begynd at bore.

Anvend skæreeolie ved boring i metaller. Undtagelser fra denne regel er jern og messing, der skal bores tørre.

FORSIGTIG:

- Boringen går ikke hurtigere, hvis De trykker hårdt på værktøjet. Det ekstra tryk vil blot beskadige spidsen, så værktøjets ydelse forringes, og dets levetid forkortes.
- Værktøjet og spidsen er under påvirkning af stærke kræfter på det tidspunkt, hvor spidsen bryder igennem. Hold godt fast i værktøjet, og vær opmærksom, når spidsen begynder at bryde igennem arbejdsemnet.
- Hvis bitten sidder fast, kan den tages ud ved blot at indstille skiftekontakten til baglæns rotation for at bakke den ud. Vær imidlertid opmærksom på, at værktøjet kan bakke ud pludseligt, hvis De ikke holder godt fast i det.
- Fastgør altid små arbejdsemner i en skruestik eller lignende udstyr til fastgørelse.
- Hvis værktøjet betjenes konstant, indtil batteripakken er afladet, skal De lade værktøjet hvile i 15 minutter, før De fortsætter med et nyt batteri.

Brug værktøjet som håndskruetrækker (Fig. 13)

Sluk værktøjet.

Flyt låseknappen til den låste position A.

Drej værktøjet.

BEMÆRK:

- Brug værktøjet med et strammingsmoment under 5 Nm (50 kgf.cm).
- Denne brug er praktisk til kontrol af skruetrækningen.
- Brug ikke værktøjet i tilfælde, hvor der skal bruges for meget kraft. Det kunne f.eks. være stramning af en M6-bolt eller bolte større end M6 eller for at fjerne rustede skrueer.

VEDLIGEHOLDELSE**FORSIGTIG:**

- Sørg altid for, at værktøjet er slukket, og at batteripakken er taget ud, før De forsøger at udføre inspektion eller vedligeholdelse.

For at holde produktet SIKKERT og PÅLIDELIGT skal reparationer samt al anden vedligeholdelse eller justering udføres af autoriserede Makita-servicecentre, og der skal altid benyttes Makita-reservedele.

TILBEHØR**FORSIGTIG:**

- Dette tilbehør eller ekstraudstyr anbefales til brug med det Makita-værktøj, som er beskrevet i denne brugsanvisning. Brug af andet tilbehør eller ekstraudstyr kan forårsage personskade. Brug kun tilbehør eller ekstraudstyr til det formål, det er beregnet til.

Henvend Dem til Deres lokale Makita-servicecenter, hvis De har brug for hjælp eller yderligere oplysninger vedrørende tilbehøret.

- Borespidser
- Skruespids
- Muffespids
- Spidsstykke
- Forskellige typer af originale batterier og opladere fra Makita
- Plastikbæretaske

Kun for lande i Europa

Støj ENG101-1

Det typiske A-vægtede lydtrykniveau bestemt i overensstemmelse med EN60745-2-1:

Lydtrykniveau (L_{pA}): 70 dB (A)

Usikkerhed (K): 3 dB (A)

Støjniveauet under arbejdet kan være større end 85 dB (A).

Bær høreværn.

Vibration ENG202-1

Den samlede vibrationsværdi (treaksiel vektorsum) bestemt i overensstemmelse med EN60745-2-1:

Arbejdstilstand: boring i metal

Vibrationsemission ($a_{h,D}$): 2,5 m/s² eller mindre

EU-ERKLÆRING VEDRØRENDE OVERHOLDELSE AF STANDARDER

Model; DF010D ENH102-7

Vi erklærer og tager det fulde ansvar for, at produktet overholder følgende standarder i standardiseringsdokumenterne EN60745, EN55014 i overensstemmelse med Rådets direktiver 2004/108/EF, 98/37/EF.

CE 2007



Tomoyasu Kato
Direktør

Ansvarlig producent:

Makita Corporation

3-11-8, Sumiyoshi-cho, Anjo, Aichi, JAPAN

Autoriseret repræsentant i Europa:

Makita International Europe Ltd.

Michigan Drive, Tongwell, Milton Keynes, Bucks MK15 8JD, ENGLAND

Περιγραφή γενικής όψης

- | | | |
|-----------------------------|-----------------------|-------------------|
| 1. Κουμπί | 6. Διαβάθμιση | 11. Μύτη |
| 2. Μπαταρία | 7. Δακτύλιος ρύθμισης | 12. Τεμάχιο μύτης |
| 3. Κουμπί κλειδώματος | 8. Δείκτης | 13. Περιβλήμα |
| 4. Διακόπτης | 9. Διακόπτης λάμπας | |
| 5. Μοχλός αλλαγής ταχύτητας | 10. Λάμπα | |

ΠΡΟΔΙΑΓΡΑΦΕΣ

Μοντέλο		DF010D
Χωρητικότητα	Ατσάλι	5 εκατοστά
	Ξύλο	6 εκατοστά
	Ξυλόβιδα	Φ 3,8 εκατοστά x 45 εκατοστά
	Μηχανική βίδα	M5
Ταχύτητα χωρίς φορτίο (min ⁻¹)	Υψηλή (2)	650
	Χαμηλή (1)	200
Ολικό μήκος	Ευθύ τύπου	279 εκατοστά
	Τύπος πιστολιού	224 εκατοστά
Καθαρό βάρος		0,55 κιλά
Ονομαστική τιμή τάσης		D.C. 7,2 V

- Λόγω του συνεχόμενου προγράμματος που εφαρμόζουμε για έρευνα και ανάπτυξη, τα τεχνικά χαρακτηριστικά στο παρόν έντυπο υπόκεινται σε αλλαγή χωρίς προειδοποίηση.
- Σημείωση: Τα τεχνικά χαρακτηριστικά ενδέχεται να διαφέρουν ανάλογα με τη χώρα.

Προοριζόμενη χρήση ENE034-1
Το εργαλείο προορίζεται για τρυπάνισμα και βίδωμα σε ξύλο, μέταλλο και πλαστικό.

ΕΙΔΙΚΟΙ ΚΑΝΟΝΕΣ ΑΣΦΑΛΕΙΑΣ

GEB002-2

ΜΗΝ αφήσετε την άνεση ή την εξοικείωσή σας με το προϊόν (που αποκτήθηκε από επανειλημμένη χρήση) να αντικαταστήσει την αυστηρή προσήλωση στους κανόνες ασφάλειας του δραπάνου. Αν χρησιμοποιήσετε το ηλεκτρικό εργαλείο αυτό με ανασφαλές ή λανθασμένο τρόπο, μπορεί να υποστείτε σοβαρό προσωπικό τραυματισμό.

1. **Να κρατάτε τα ηλεκτρικά εργαλεία από τις λαβές με μόνωση όταν εκτελείτε εργασίες κατά τις οποίες το κοπτικό εργαλείο μπορεί να έρθει σε επαφή με κρυμμένα καλώδια ή με το ίδιο του το καλώδιο.** Αν το εργαλείο έρθει σε επαφή με κάποιο ηλεκτροφόρο καλώδιο, μπορεί να εκτεθειμένα μεταλλικά μέρη του εργαλείου να γίνουν κι αυτά ηλεκτροφόρα και να προκληθεί ηλεκτροπληξία στο χειριστή.
2. **Να βεβαιώνετε πάντοτε ότι στέκεστε σταθερά.** Όταν χρησιμοποιείτε το εργαλείο σε υψηλές τοποθεσίες, να βεβαιώνετε ότι δεν βρίσκεται κανένας από κάτω.
3. **Να κρατάτε το εργαλείο σταθερά.**
4. **Μην πλησιάζετε τα χέρια σας σε περιστρεφόμενα μέρη.**

5. **Μην αφήνετε το εργαλείο σε λειτουργία. Το εργαλείο πρέπει να βρίσκεται σε λειτουργία μόνο όταν το κρατάτε.**
6. **Μην αγγίζετε τη μύτη τρυπανίσματος ή το τεμάχιο εργασίας αμέσως μετά τη λειτουργία του εργαλείου. Μπορεί να είναι εξαιρετικά θερμά και να προκληθεί έγκαιμα στο δέρμα σας.**
7. **Μερικά υλικά περιέχουν χημικά που μπορεί να είναι τοξικά. Προσέχετε ώστε να αποφεύγετε την εισπνοή σκόνης και την επαφή με το δέρμα. Ακολουθείτε τις οδηγίες ασφάλειας υλικού που παρέχονται από τον προμηθευτή.**

ΦΥΛΑΞΤΕ ΑΥΤΕΣ ΤΙΣ ΟΔΗΓΙΕΣ.**ΠΡΟΕΙΔΟΠΟΙΗΣΗ:**

Η ΛΑΝΘΑΣΜΕΝΗ ΧΡΗΣΗ ή η αμέλεια στο να ακολουθήσετε τους κανόνες ασφάλειας που διατυπώνονται στο παρόν εγχειρίδιο οδηγιών μπορεί να προκαλέσει σοβαρό προσωπικό τραυματισμό.

ΣΗΜΑΝΤΙΚΕΣ ΟΔΗΓΙΕΣ ΑΣΦΑΛΕΙΑΣ

ENC007-2

ΓΙΑ ΤΗΝ ΜΠΑΤΑΡΙΑ

1. Πριν χρησιμοποιήσετε την μπαταρία, διαβάστε όλες τις οδηγίες και τις ενδείξεις προφύλαξης στο (1) φορτιστή μπαταρίας, (2) την μπαταρία και (3) το προϊόν στο οποίο χρησιμοποιείται η μπαταρία.

2. Μην αποσυναρμολογείτε τη μπαταρία.
3. Αν ο χρόνος λειτουργίας της μπαταρίας είναι υπερβολικά σύντομος, διακόψτε αμέσως τη λειτουργία. Αν συνεχίσετε, μπορεί να έχει ως αποτέλεσμα τον κίνδυνο υπερθέρμανσης, πιθανών εγκαυμάτων ή ακόμη έκρηξης.
4. Αν μπει στα μάτια σας ηλεκτρολύτης, ξεπλύνετε με καθαρό νερό και αναζητήστε αμέσως ιατρική βοήθεια. Μπορεί να χάσετε την όρασή σας.
5. Μην βραχυκυκλώνετε την μπαταρία:
 - (1) Μην αγγίζετε τους ακροδέκτες με αγώγιμο υλικό.
 - (2) Μην αποθηκεύετε την μπαταρία σε δοχείο με άλλα μεταλλικά αντικείμενα, όπως καρφιά, νομίσματα, κτλ.
 - (3) Μην εκθέτετε την μπαταρία σε νερό ή βροχή. Αν βραχυκυκλωθεί η μπαταρία, μπορεί να προκληθεί μεγάλη ροή ηλεκτρικού ρεύματος, υπερθέρμανση, πιθανά εγκαύματα και ακόμη και καταστροφή της μπαταρίας.
6. Μην αποθηκεύετε το εργαλείο και την μπαταρία σε μέρη όπου η θερμοκρασία μπορεί να φτάσει ή να ξεπεράσει τους 50 °C (122 °F).
7. Μην αποτεφρώνετε την μπαταρία ακόμη κι αν παρουσιάζει σοβαρή ζημιά ή είναι εντελώς φθαρμένη. Η μπαταρία μπορεί να εκραγεί σε φωτιά.
8. Να προσέχετε να μη σας πέσει η μπαταρία και να μη συγκρουστεί με κάποιο αντικείμενο.

ΦΥΛΑΞΤΕ ΑΥΤΕΣ ΤΙΣ ΟΔΗΓΙΕΣ.

Συμβουλές για τη διατήρηση της μέγιστης ζωής της μπαταρίας

1. Να φορτίζετε την μπαταρία πριν αποφορτιστεί εντελώς. Πάντοτε να διακόπτετε τη λειτουργία του εργαλείου και να φορτίζετε την μπαταρία όταν παρατηρείται μειωμένη ισχύ του εργαλείου.
2. Ποτέ μην επαναφορτίζετε μια πλήρως φορτισμένη μπαταρία. Αν υπερφορτίσετε την μπαταρία, μειώνεται η ωφέλιμη διάρκεια ζωής της.
3. Να φορτίζετε την μπαταρία σε θερμοκρασία δωματίου, στους 10 °C - 40 °C (50 °F - 104 °F). Αν η μπαταρία είναι θερμή, αφήστε την να ψυχθεί πριν τη φορτίσετε.

ΠΕΡΙΓΡΑΦΗ ΛΕΙΤΟΥΡΓΙΑΣ

ΠΡΟΣΟΧΗ:

- Να βεβαιώνετε πάντοτε ότι έχετε σβήσει το εργαλείο και έχετε βγάλει την μπαταρία πριν ρυθμίσετε ή ελέγξετε κάποια λειτουργία του εργαλείου.

Τοποθέτηση ή αφαίρεση της μπαταρίας (Εικ. 1)

- Πάντοτε να σβήνετε το εργαλείο πριν βάζετε ή βγάξετε την μπαταρία.

- Για να βγάλετε την μπαταρία, τραβήξτε την από το εργαλείο καθώς πιέζετε τα κουμπιά και στις δυο πλευρές της μπαταρίας.
- Για να τοποθετήσετε την μπαταρία, ευθυγραμμίστε τη γλωττίδα στην μπαταρία με την εγκοπή στο περίβλημα και ολισθήστε τη στη θέση της. Πάντοτε να την τοποθετείτε έως το τέρμα, δηλαδή έως ότου ασφαλίσει στη θέση και ακουστεί ένας χαρακτηριστικός ήχος («κλικ»). Σε αντίθετη περίπτωση, μπορεί να πέσει κατά λάθος από το εργαλείο και να τραυματίσει εσάς ή κάποιον παρευρισκόμενο.
- Να μη χρησιμοποιείτε δύναμη όταν τοποθετείτε την μπαταρία. Αν η μπαταρία δεν ολισθαίνει με ευκολία, δεν την εισήγατε σωστά.

Κουμπί κλειδώματος (Εικ. 2)

Όταν το κουμπί κλειδώματος βρίσκεται στην κλειδωμένη θέση Β, δεν μπορεί να ενεργοποιηθεί ο διακόπτης.

Όταν το κουμπί κλειδώματος βρίσκεται στην ξεκλειδωτή θέση Α, ο διακόπτης μπορεί να ενεργοποιηθεί.

Δράση διακόπτη (Εικ. 3)

ΠΡΟΣΟΧΗ:

- Πριν την τοποθέτηση της μπαταρίας στο εργαλείο, πάντοτε να ελέγχετε για να δείτε ότι ο διακόπτης ενεργοποιείται κανονικά και επιστρέφει στη θέση «OFF» όταν τον ελευθερώνετε.

Για να ξεκινήσετε το εργαλείο, πρώτα μετακινήστε το κουμπί κλειδώματος στην ξεκλειδωτή θέση Α για να ελευθερωθεί ο διακόπτης. Στη συνέχεια σπρώξτε απλά το διακόπτη στη ⇐ C πλευρά για δεξιόστροφη περιστροφή και στη ⇒ D πλευρά για αριστερόστροφη περιστροφή. Ελευθερώστε το διακόπτη για να σταματήσει.

ΠΡΟΣΟΧΗ:

- Πριν από τη λειτουργία, να ελέγχετε πάντοτε την κατεύθυνση περιστροφής.
- Αλλάζετε την κατεύθυνση μόνο όταν το εργαλείο είναι εντελώς ακινητοποιημένο. Αν αλλάξετε την κατεύθυνση περιστροφής πριν ακινητοποιηθεί το εργαλείο, μπορεί να προκληθεί βλάβη στο εργαλείο.
- Όταν δεν χειρίζεστε το εργαλείο, πάντοτε να τοποθετείτε το κουμπί κλειδώματος στην κλειδωμένη θέση B.


Αλλαγή ταχύτητας (Εικ. 4)


Για να αλλάξετε την ταχύτητα, σβήστε πρώτα το εργαλείο και κατόπιν σπρώξτε το μοχλό αλλαγής ταχύτητας στην πλευρά «2» για υψηλή ταχύτητα ή στην πλευρά «1» για χαμηλή ταχύτητα. Πριν από τη λειτουργία, βεβαιωθείτε ότι ο μοχλός αλλαγής ταχύτητας είναι ρυθμισμένος στη σωστή θέση. Να χρησιμοποιείτε τη σωστή ταχύτητα, ανάλογα με την εργασία σας.

ΠΡΟΣΟΧΗ:

- Να ρυθμίζετε πάντοτε το μοχλό αλλαγής ταχύτητας πλήρως στη σωστή θέση. Αν χειρίζεστε το εργαλείο με το μοχλό αλλαγής ταχύτητας να βρίσκεται μεταξύ της πλευράς «1» και «2», μπορεί να προκληθεί βλάβη στο εργαλείο.
- Μη χρησιμοποιείτε το μοχλό αλλαγής ταχύτητας όταν λειτουργεί το εργαλείο. Μπορεί να προκληθεί βλάβη στο εργαλείο.


Ρύθμιση της ροπής στερέωσης (Εικ. 5)

Μπορείτε να ρυθμίσετε τη ροπή στερέωσης σε 21 βήματα αν περιστρέψετε το δακτύλιο ρύθμισης με τρόπο ώστε οι διαβαθμίσεις του να ευθυγραμμίζονται με το βέλος του κύριου σώμα του εργαλείου. Η ροπή στερέωσης είναι η ελάχιστη όταν ο αριθμός 1 είναι ευθυγραμμισμένος με το βέλος, ενώ είναι η μέγιστη όταν η ένδειξη  είναι ευθυγραμμισμένη με το βέλος.

Ο σφικτήρας θα ολισθαίνει σε διάφορα επίπεδα ροπής όταν τον ρυθμίζετε σε αριθμό από 1 έως 21. Ο σφικτήρας είναι σχεδιασμένος ώστε να μην ολισθαίνει όταν βρίσκεται στην ένδειξη .

Πριν από τη λειτουργία, να βιδώνετε μια δοκιμαστική βίδα στο υλικό σας ή σε ένα κομμάτι πανομοιότυπου υλικού για να καθορίζετε το επίπεδο ροπής που απαιτείται για τη συγκεκριμένη εφαρμογή.

Οδηγία για την αυτόματη διακοπή του σφικτήρα

Εύρος λειτουργίας της αυτόματης διακοπής του σφικτήρα		Αυξητικά διαστήματα στο δακτύλιο ρύθμισης για την ροπή σύσφιξης	Ροπή σύσφιξης
Υψηλή ταχύτητα	Χαμηλή ταχύτητα		
Λειτουργεί η αυτόματη διακοπή του σφικτήρα		1	Περίπου 0,3 N·m (Περίπου 3 Kgf·cm)
		5	Περίπου 0,82 N·m (Περίπου 8,4 Kgf·cm)
		9	Περίπου 1,35 N·m (Περίπου 13,8 Kgf·cm)
		13	Περίπου 1,88 N·m (Περίπου 19,2 Kgf·cm)
		17	Περίπου 2,41 N·m (Περίπου 24,6 Kgf·cm)
Η αυτόματη διακοπή του σφικτήρα δεν λειτουργεί		21	Περίπου 2,9 N·m (Περίπου 30 Kgf·cm)
			Χαμηλή ταχύτητα Περίπου 5 N·m (Περίπου 49 Kgf·cm) Υψηλή ταχύτητα Περίπου 1,5 N·m (Περίπου 14,7 Kgf·cm)

Κατά το βίδωμα μηχανικών βιδών	Αυξητικά διαστήματα	Οδηγίες για τη διάμετρο της μηχανικής βίδας
	1 - 3	2,5 χιλιοστά
	4 - 8	3 χιλιοστά
	9 - 18	4 χιλιοστά
	19 - 21	5 χιλιοστά

Άναμμα της μπροστινής λάμπας (Εικ. 6 και 7)

ΠΡΟΣΟΧΗ:

- Μην κοιτάτε κατευθείαν μέσα στο φως ή στην πηγή φωτός.

Για να ανάψετε το φως, ολισθείτε το διακόπτη της λάμπας στη θέση Α.

Για να κλείσετε το φως, ολισθείτε το διακόπτη της λάμπας στη θέση Β.

Ακόμη και αν αφήσετε τη λάμπα αναμμένη, το φως θα σβήσει αυτόματα μετά από 5 λεπτά.

Έλεγχος της εναπομένουσας χωρητικότητας της μπαταρίας, αυτόματο σταμάτημα

Όταν η ισχύς της μπαταρίας έχει σχεδόν τελειώσει κατά την χρήση, η λάμπα σας ειδοποιεί αναβοσβήνοντας.

Αυτή τη στιγμή, αναφορτίστε τη μπαταρία ή αντικαταστήστε την με μια πλήρως φορτισμένη.

ΣΥΝΑΡΜΟΛΟΓΗΣΗ

ΠΡΟΣΟΧΗ:

- Να βεβαιώνετε πάντοτε ότι το κουμπί κλειδώματος βρίσκεται στη θέση Β και ότι η μπαταρία έχει αφαιρεθεί πριν εκτελέσετε οποιαδήποτε εργασία πάνω στο εργαλείο.

Τοποθέτηση ή αφαίρεση της μύτης βιδώματος ή της υποδοχής της μύτης (Εικ. 8)

Χρησιμοποιήστε μόνο τη μύτη τρυπανιού ή τη μύτη υποδοχής που δείχνεται στην εικόνα.

Μην χρησιμοποιήσετε οποιαδήποτε άλλη μύτη τρυπανιού ή μύτη υποδοχής.

Για χώρες της Ευρώπης και της Βορείου & Νοτίου Αμερικής, την Αυστραλία και την Νέα Ζηλανδία

A=12 χιλιοστά B=9 χιλιοστά	Χρησιμοποιήστε μόνο αυτών των τύπων τις μύτες. Ακολουθήστε τη διαδικασία (1). (Σημείωση) Δεν είναι απαραίτητο το τεμάχιο μύτης.
-------------------------------	---

Για άλλες χώρες

A=17 χιλιοστά B=14 χιλιοστά	Για να τοποθετήσετε τις μύτες αυτών των τύπων, ακολουθήστε τη διαδικασία (1). (Σημείωση) Οι μύτες της Makita είναι αυτών των τύπων.
A=12 χιλιοστά B=9 χιλιοστά	Για να τοποθετήσετε τις μύτες αυτών των τύπων, ακολουθήστε τη διαδικασία (2). (Σημείωση) Το τεμάχιο της μύτης είναι απαραίτητο για την τοποθέτηση της μύτης.

1. Για να τοποθετήσετε τη μύτη, τραβήξτε το περίβλημα προς την κατεύθυνση του βέλους και βάλτε τη μύτη μέσα στο περίβλημα όσο μέσα μπορεί να μπει. Μετά ελευθερώστε το περίβλημα για να στερεώσετε τη μύτη. **(Εικ. 9)**
2. Για να τοποθετήσετε τη μύτη, τραβήξτε το περίβλημα προς την κατεύθυνση του βέλους και εισάγετε το τεμάχιο της μύτης και τη μύτη μέσα στο περίβλημα όσο μέσα μπορούν να μπουν. Το τεμάχιο της μύτης πρέπει να εισαχθεί μέσα στο περίβλημα με το μυτερό άκρο να βλέπει προς τα μέσα. Μετά ελευθερώστε το περίβλημα για να στερεώσετε τη μύτη. **(Εικ. 10)**

Για να αφαιρέσετε τη μύτη, τραβήξτε το περίβλημα προς την κατεύθυνση του βέλους και τραβήξτε γερά τη μύτη έξω.

ΣΗΜΕΙΩΣΗ:

- Εάν δεν έχει μπει η μύτη αρκετά βαθιά μέσα στο περίβλημα, το περίβλημα θα επιστρέψει στην αρχική του θέση και η μύτη δεν θα στερεωθεί. Σε αυτή την περίπτωση προσπαθήστε να βάλετε την μύτη σύμφωνα με τις παρακάτω οδηγίες.

ΛΕΙΤΟΥΡΓΙΑ

Το εργαλείο μπορεί να χρησιμοποιηθεί με δυο τρόπους, με ένα ευθύ τρόπο και με ένα τρόπο πιστολιού, οι οποίοι επιλέγονται ανάλογα με τις συνθήκες του χώρου εργασίας και του βιδώματος. **(Εικ. 11)**

Λειτουργία βιδώματος (Εικ. 12)

ΠΡΟΣΟΧΗ:

- Θέστε το δακτύλιο ρύθμισης στο σωστό επίπεδο ροπήs για την εργασία σας.

Τοποθετήστε το άκρο της μύτης βιδώματος στην κεφαλή της βίδας και ασκήστε πίεση στο εργαλείο. Μετά ενεργοποιήστε το εργαλείο. Όταν ολισθήσει ο σφικκτήρας, το μοτέρ θα σταματήσει αυτόματα. Κατόπιν ελευθερώστε το διακόπτη.

ΠΡΟΣΟΧΗ:


- Βεβαιωθείτε ότι τοποθετήσατε τη μύτη βιδώματος απευθείας στην κεφαλή της βίδας. Διαφορετικά, μπορεί να προκληθεί βλάβη στη βίδα ή/και στη μύτη.

ΣΗΜΕΙΩΣΗ:

- Όταν βιδώνετε ξυλόβιδες, τρυπανίστε από πριν καθοδηγητικές οπές για να διευκολύνετε το βιδώμα και να αποφεύγετε τη διάσπαση του τεμαχίου εργασίας. Ανατρέξτε στον πίνακα.

Ονομαστική διάμετρος της ξυλόβιδας (χιλιοστά)	Συνιστώμενο μέγεθος καθοδηγητικής οπής (χιλιοστά)
3,1	2,0 - 2,2
3,5	2,2 - 2,5
3,8	2,5 - 2,8
4,5	2,9 - 3,2
4,8	3,1 - 3,4
5,1	3,3 - 3,6
5,5	3,7 - 3,9
5,8	4,0 - 4,2
6,1	4,2 - 4,4

Λειτουργία τρυπανίσματος

Πρώτα, γυρίστε το δακτύλιο ρύθμισης ώστε ο δείκτης να είναι ευθυγραμμισμένος με την ένδειξη . Κατόπιν, συνεχίστε όπως περιγράφεται στη συνέχεια.

Τρυπάνισμα ξύλου

Όταν τρυπανίζετε σε ξύλο, έχετε καλύτερα αποτελέσματα με μύτες για ξύλο εξοπλισμένες με βίδα οδήγησης. Η βίδα οδήγησης κάνει το τρυπάνισμα πιο εύκολο επειδή τραβάει τη μύτη μέσα στο τεμάχιο εργασίας.

Τρυπάνισμα σε μέταλλο

Για να μην ολισθήσει η μύτη όταν ξεκινάτε τη δημιουργία μιας τρύπας, κάντε ένα κοίλωμα με πόντα και σφυρί στο σημείο όπου θα τρυπανίσετε. Τοποθετήστε τη μύτη στο κοίλωμα και ξεκινήστε το τρυπάνισμα.

Όταν τρυπανίζετε μέταλλα, χρησιμοποιήστε λιπαντικό κοπήs. Εξάφαιση αποτελούν ο σίδηρος και ο χάλυβας που θα πρέπει να τρυπανίζονται στεγνοί.

ΠΡΟΣΟΧΗ:

- Δεν θα επιταχυνθεί το τρυπάνισμα αν πιέζετε υπερβολικά το εργαλείο. Στην πραγματικότητα, αυτή η υπερβολική πίεση θα προκαλέσει απλώς βλάβη στο άκρο της μύτης, θα μειώσει την απόδοση του εργαλείου και θα συντομεύσει την ωφέλιμη διάρκεια ζωής του.
- Ασκειται τεράστια δύναμη στο εργαλείο/μύτη τη στιγμή που διαπερνάει η οπή. Κρατήστε το εργαλείο σταθερά και προσέχετε όταν η μύτη ξεκινήσει να διαπερνάει το τεμάχιο εργασίας.
- Μπορείτε να βγάλετε μια μύτη που έχει εμπλακεί ρυθμίζοντας απλώς το αναστροφικό σε αντίστροφη κατεύθυνση περιστροφής ώστε να αποσυρθεί το εργαλείο. Όμως, το εργαλείο μπορεί να αποσυρθεί απότομα αν δεν το κρατάτε σταθερά.

- Να στερεώνετε πάντοτε τα μικρά τεμάχια εργασίας σε μέγερνη ή παρόμοια συσκευή συγκράτησης.
- Αν το εργαλείο λειτουργεί συνεχόμενα έως ότου αποφορτιστεί η μπαταρία, αφήστε το εργαλείο σβηστό για 15 λεπτά πριν συνεχίσετε την εργασία με καινούργια μπαταρία.

Χρήση του εργαλείου ως ένα κατασβίδι χειρός (Εικ. 13)

Απενεργοποιήστε το εργαλείο.

Μετακινήστε το κουμπί κλειδώματος στην κλειδωμένη θέση Α.

Περιστρέψτε το εργαλείο.

ΣΗΜΕΙΩΣΗ:

- Χρησιμοποιήστε το εργαλείο με μια ροπή σύσφιξης μικρότερη από 5 Nm (50 kgf.cm).
- Αυτή η χρήση είναι βολική για τον έλεγχο του βιδώματος.
- Μην χρησιμοποιήσετε το εργαλείο για εργασίες που απαιτούν υπερβολική δύναμη, όπως το σφιξιμο μπουλονιών Μ6 ή μεγαλύτερων από Μ6 ή την αφαίρεση σκουριασμένων βιδών.

ΣΥΝΤΗΡΗΣΗ

ΠΡΟΣΟΧΗ:

- Να βεβαιώνετε πάντοτε ότι έχετε σβήσει το εργαλείο και έχετε βγάλει την μπαταρία πριν εκτελέσετε οποιαδήποτε εργασία ελέγχου ή συντήρησης σε αυτό.

Για να διατηρείται η ΑΣΦΑΛΕΙΑ και η ΑΞΙΟΠΙΣΤΙΑ του προϊόντος, οι εργασίες επισκευής, καθώς και οποιαδήποτε άλλη εργασία συντήρησης ή ρύθμισης, θα πρέπει να εκτελούνται σε εξουσιοδοτημένα κέντρα εξυπηρέτησης της Makita, και πάντοτε με τη χρήση ανταλλακτικών της Makita.

ΑΞΕΣΟΥΑΡ

ΠΡΟΣΟΧΗ:

- Συνιστάται η χρήση των παρακάτω αξεσουάρ και εξαρτημάτων με το εργαλείο της Makita μόνο όπως καθορίζεται στο παρόν εγχειρίδιο. Αν χρησιμοποιήσετε άλλα αξεσουάρ ή εξαρτήματα μπορεί να παρουσιαστεί κίνδυνος για πρόκληση ατομικού τραυματισμού. Να χρησιμοποιείτε τα αξεσουάρ και τα εξαρτήματα μόνο για το σκοπό για τον οποίο προορίζονται.

Αν χρειάζεστε κάποια βοήθεια ή περισσότερες πληροφορίες σχετικά με τα αξεσουάρ αυτά, απευθυνθείτε στο πλησιέστερο κέντρο εξυπηρέτησης της Makita.

- Μύτες τρυπανίσματος
- Μύτες βιδώματος
- Μύτες υποδοχής
- Τεμάχιο μύτες
- Διάφοροι τύποι γνήσιων μπαταριών και φορτιστών της Makita
- Πλαστική θήκη μεταφοράς

Για τις ευρωπαϊκές χώρες μόνο

Θόρυβος

ENG101-1

Το σύνθετος σταθμισμένο επίπεδο θορύβου που έχει καθοριστεί σύμφωνα με την EN60745-2-1:

Επίπεδο ηχητικής πίεσης (L_{pA}): 70 dB (A)

Αβεβιαιότητα (K): 3 dB (A)

Το επίπεδο θορύβου κατά τη λειτουργία ενδέχεται να υπερβεί τα 85 dB (A).

Να φοράτε ωτοασπίδες.

Δόνηση

ENG202-1

Η συνολική τιμή δόνησης (διανυσματικών άθροισμα τριών αξόνων) που έχει καθοριστεί σύμφωνα με την EN60745-2-1:

Κατάσταση λειτουργίας: διάτρηση σε μέταλλο

Εκπομπή δόνησης ($a_{h,D}$): 2,5 m/s^2 ή λιγότερο

EC - ΔΗΛΩΣΗ ΠΙΣΤΟΤΗΤΑΣ

ENH102-7

Μοντέλο, DF010D

Δηλώνουμε με αποκλειστική ευθύνη μας ότι το προϊόν αυτό συμμορφώνεται με τα ακόλουθα πρότυπα των τυποποιημένων εντύπων: EN60745, EN55014 σε συμφωνία με τις Οδηγίες της Επιτροπής, 2004/108/EK, 98/37/EK.

CE 2007



Tomoyasu Kato
Διευθυντής

Υπεύθυνος Κατασκευαστής:

Makita Corporation

3-11-8, Sumiyoshi-cho, Anjo, Aichi, JAPAN

Εξουσιοδοτημένος Αντιπρόσωπος στην Ευρώπη:

Makita International Europe Ltd.

Michigan Drive, Tongwell, Milton Keynes, Bucks MK15 8JD, ΑΓΓΛΙΑ

Makita Corporation
Anjo, Aichi, Japan

884799A990