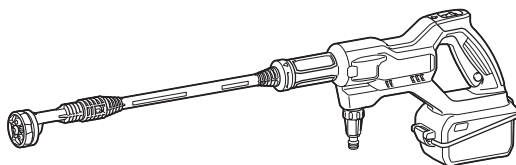




EN	Cordless Pressure Washer	INSTRUCTION MANUAL	8
FR	Nettoyeur haute pression sans fil	MANUEL D'INSTRUCTIONS	19
DE	Akku-Druckreiniger	BETRIEBSANLEITUNG	32
IT	Idropulitrice a pressione a batteria	ISTRUZIONI PER L'USO	46
NL	Accuwaterspuit	GEBRUIKSAANWIJZING	60
ES	Hidrolavadora Inalámbrica de Presión	MANUAL DE INSTRUCCIONES	73
PT	Lavadora de Alta Pressão Portátil a Bateria	MANUAL DE INSTRUÇÕES	86
EL	Φορητό πλυστικό μηχάνημα πίεσης	ΕΓΧΕΙΡΙΔΙΟ ΟΔΗΓΙΩΝ	99
TR	Akülü Basınçlı Yıkama Makinası	KULLANMA KILAVUZU	113
ZHTW	充電式清洗機	使用說明書	124

DHW180



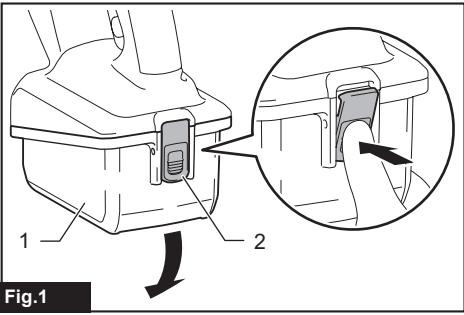


Fig.1



Fig.2

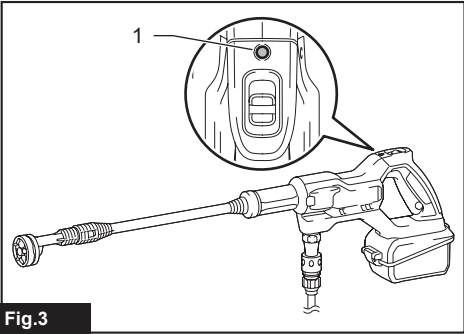


Fig.3

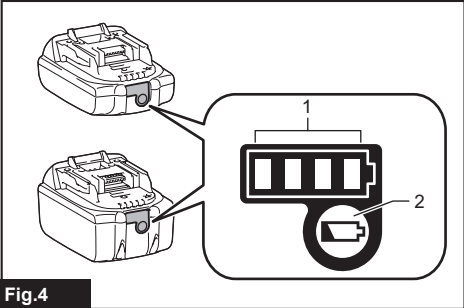


Fig.4

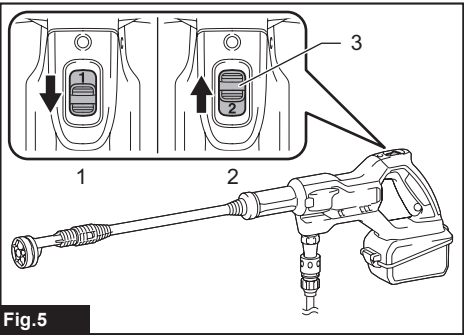


Fig.5

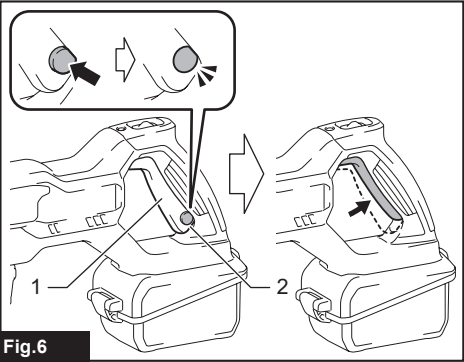


Fig.6

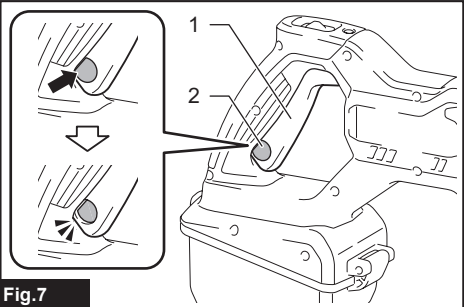


Fig.7

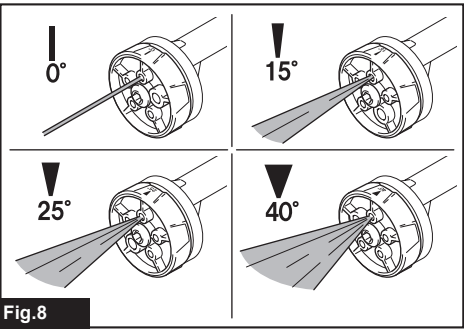


Fig.8

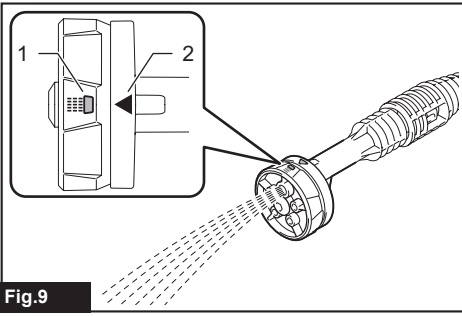


Fig.9

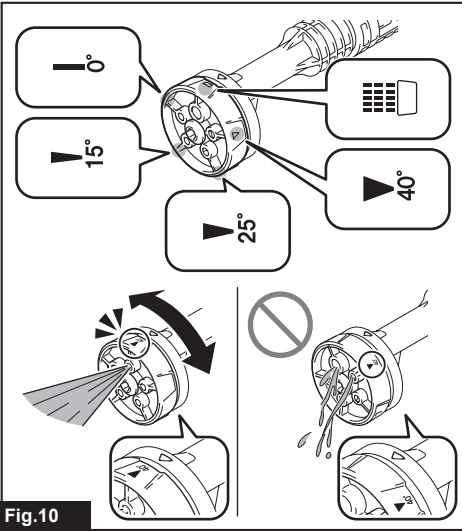


Fig.10

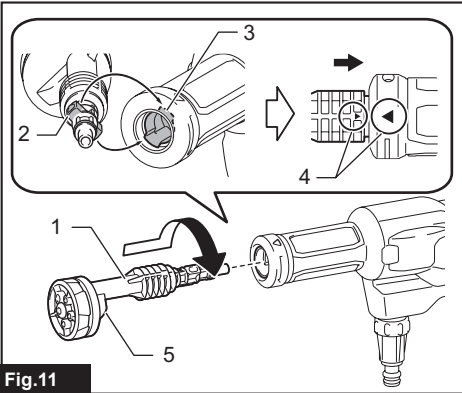


Fig.11

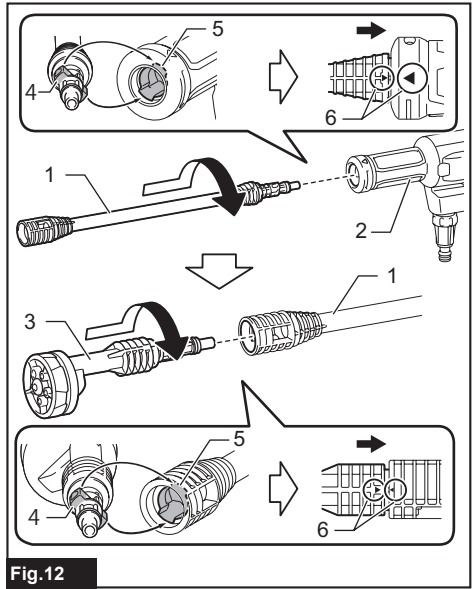


Fig.12

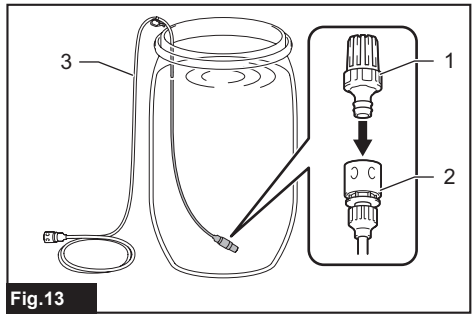


Fig.13

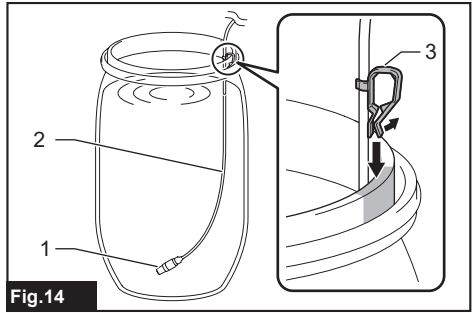
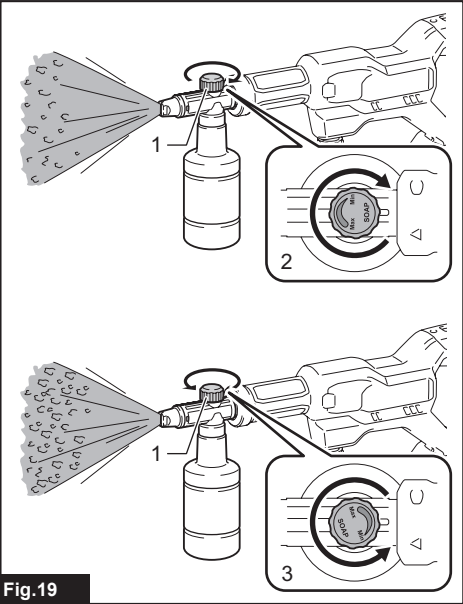
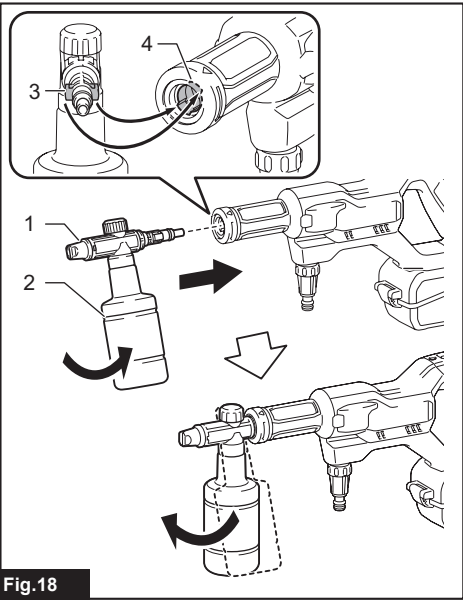
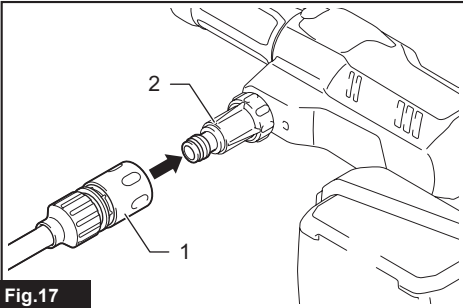
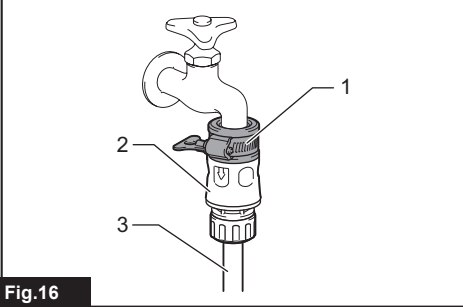
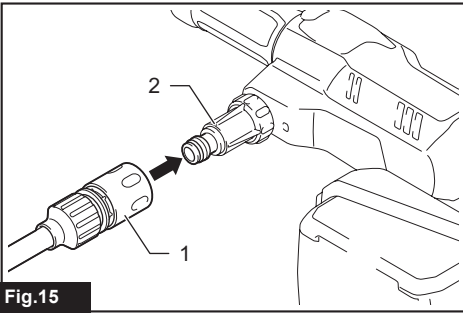


Fig.14



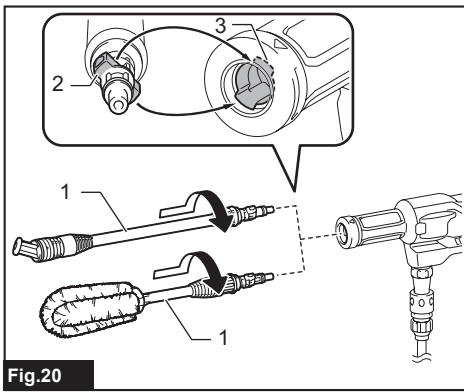


Fig.20

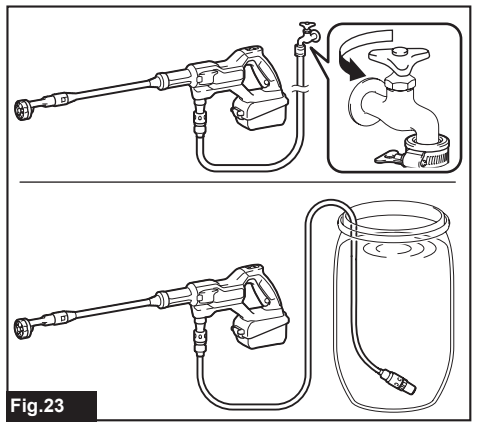


Fig.23

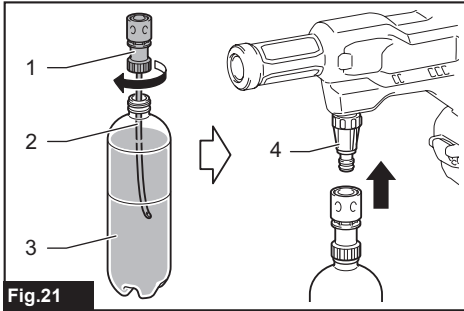


Fig.21

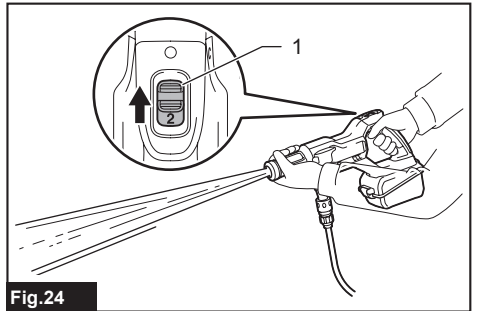


Fig.24

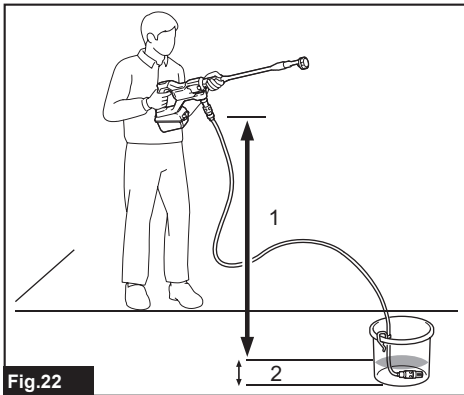


Fig.22

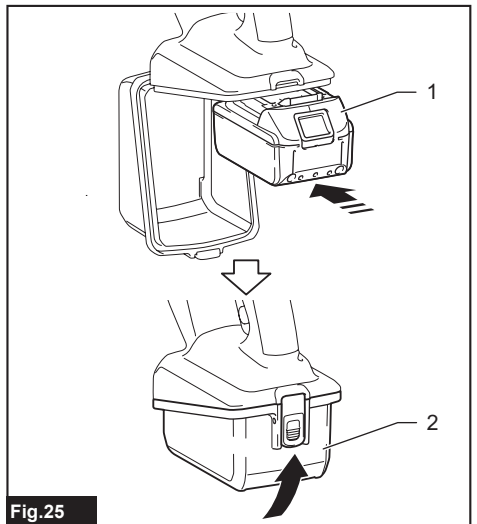


Fig.25

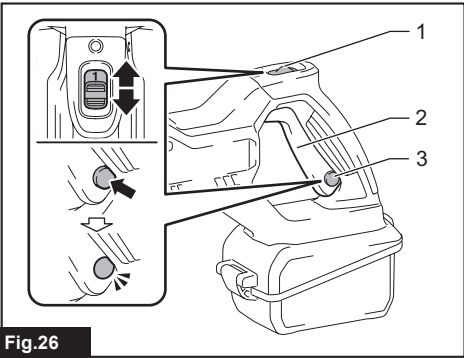


Fig.26

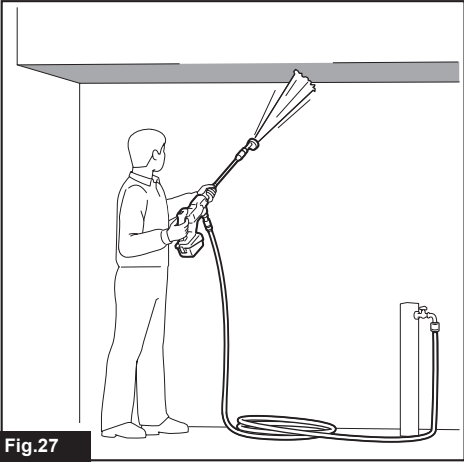


Fig.27

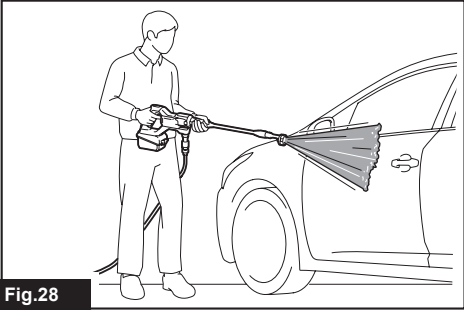


Fig.28

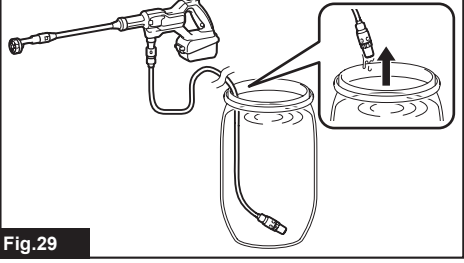
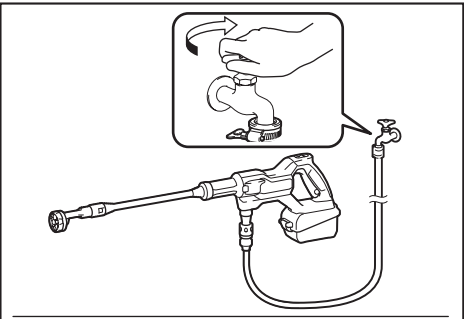


Fig.29

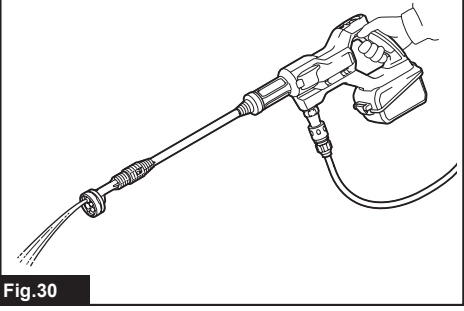


Fig.30

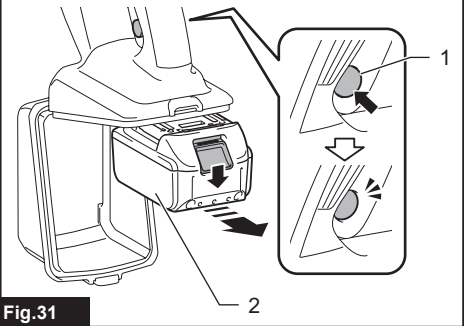
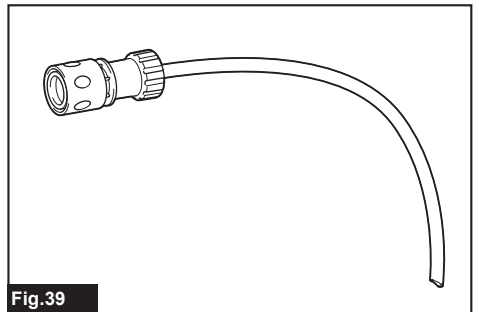
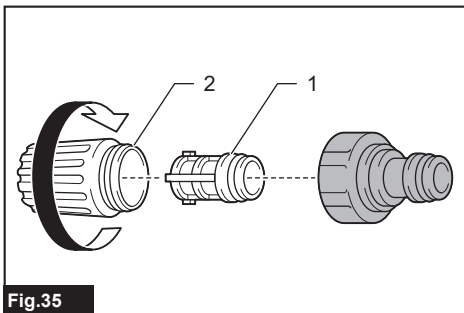
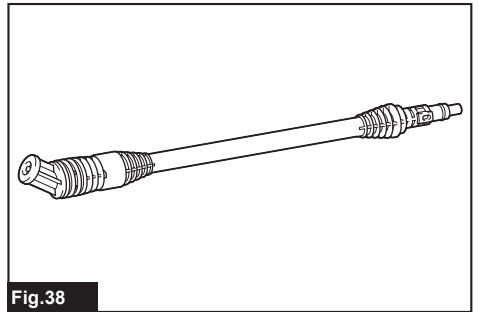
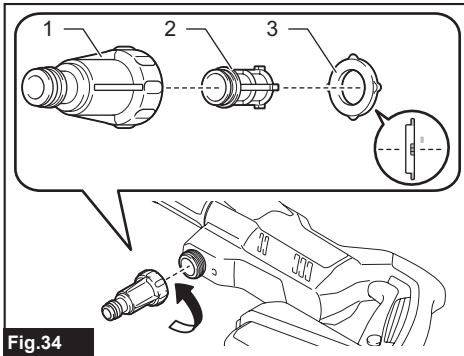
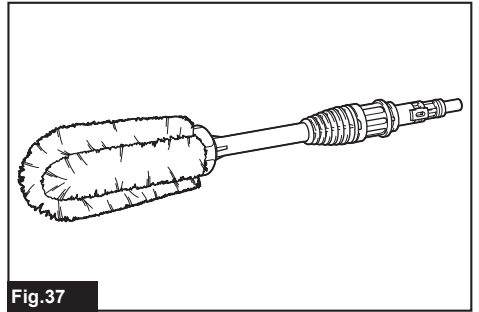
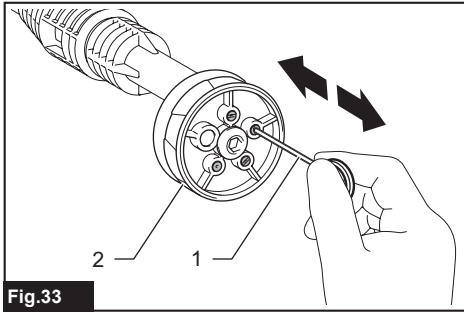
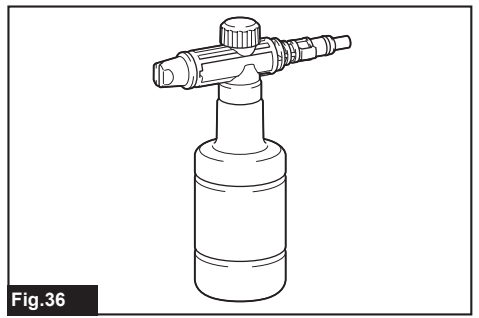
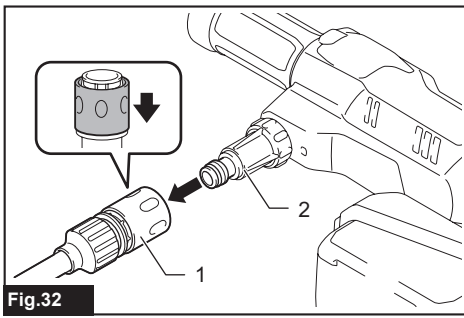


Fig.31



WARNING

- Appliance shall not be used by children. Children should be supervised to ensure that they do not play with the appliance.
- This appliance is not intended for use by persons (including children) with reduced physical, sensory or mental capabilities, or lack of experience and knowledge, unless they have been given supervision or instruction concerning use of the appliance by a person responsible for their safety.
- Pressure water must not be directed at persons, live electrical equipment or the appliance itself.
- Always be sure that the appliance is switched off and battery cartridge is removed before carrying out any work on the tool.
- Do not use the appliance if important parts of the appliance are damaged, e.g. safety devices, pressure hoses.
- Read instructions in the maintenance section for the appropriate details of precautions during user maintenance.
- Learn the normal temperature range for charging battery. Read safety instructions for battery cartridge to learn precautions of handling batteries.
- Read instructions in the assembly section for the appropriate details of precautions during installation of the appliance.
- Learn the maximum inlet water pressure. Read information in the specifications section for the appropriate details on connection to water mains.
- Always use the hose-sets supplied with the appliance. Read instructions in the assembly section to learn precautions for connection to water mains.
- The water filling aperture should not be opened during use. Follow the instructions in the assembly section to maintain water pressure.
- Do not use in swimming pools containing water.
- Comply with the requirements of the local water supply company.
- For European countries:
According to EN12729 (BA), the appliance can also be

connected to the mains drinking water supply if a backflow preventer valve with drain facility is installed in the supply hose.

SPECIFICATIONS

Model:		DHW180
Max. flow rate ^{*1} [Tank water supply / Mains water supply]		3.0 / 5.3 L/min
Water flow rate ^{*2}	High mode	2.5 L/min
	Low mode	1.5 L/min
Max. working pressure		2.4 MPa
Working pressure ^{*2}	High mode [Tank water supply / Mains water supply]	2.0 / 2.2 MPa
	Low mode [Tank water supply / Mains water supply]	0.8 / 0.8 MPa
Max. feed pressure		0.5 MPa
Max. feed temperature		40°C
Max. suction height		2.0 m
Rated voltage		D.C. 18 V
Dimensions ^{*3} [L x W x H]		888 mm x 99 mm x 239 mm
Weight		2.3 - 2.7kg

*1 : Without nozzle

*2 : Spray pattern 15°

*3 : With 5in1 nozzle and extension

- Due to our continuing program of research and development, the specifications herein are subject to change without notice.
- Specifications may differ from country to country.
- The weight may differ depending on the attachment(s), including the battery cartridge. The lightest and heaviest combination are shown in the table.

Applicable battery cartridge and charger

Battery cartridge	BL1815N / BL1820B / BL1830B / BL1840B / BL1850B / BL1860B
Charger	DC18RC / DC18RD / DC18RE / DC18SD / DC18SE / DC18SF / DC18SH / DC18WC

- Some of the battery cartridges and chargers listed above may not be available depending on your region of residence.

⚠ WARNING: Only use the battery cartridges and chargers listed above. Use of any other battery cartridges and chargers may cause injury and/or fire.

⚠ WARNING: Do not use a corded power supply such as battery adapter or portable power pack with this machine. The cable of such power supply may hinder the operation and result in personal injury.

Symbols



Take particular care and attention.

The followings show the symbols which may be used for the equipment. Be sure that you understand their meaning before use.



Read the instruction manual.



Only for EU countries
Due to the presence of hazardous components in the equipment, waste electrical and electronic equipment, accumulators and batteries may have a negative impact on the environment and human health. Do not dispose of electrical and electronic appliances or batteries with household waste!

In accordance with the European Directive on waste electrical and electronic equipment and on accumulators and batteries and waste accumulators and batteries, as well as their adaptation to national law, waste electrical equipment, batteries and accumulators should be stored separately and delivered to a separate collection point for municipal waste, operating in accordance with the regulations on environmental protection.

This is indicated by the symbol of the crossed-out wheeled bin placed on the equipment.



Do not connect to a potable water faucet.



Do not direct the jet at people including yourself, animals, and live electrical equipment.

Intended use

This tool is intended to clean dirt by using water jet for household use. By offering selectable spray type, the tool functions to improve your washing as well as lawn and garden watering.

SAFETY WARNINGS

IMPORTANT SAFETY WARNINGS

WARNING: Read all safety warnings and all instructions. Failure to follow the warnings and instructions may result in electric shock, fire and/or serious injury.

Save all warnings and instructions for future reference.

WARNING – When using this product, basic precautions should always be followed, including the following:

Work area safety

1. Keep operating area clear of all persons.
2. Do not overreach or stand on unstable supports. Keep good footing and balance at all times.
3. Always place the pressure washer body on a level and stable surface. Avoid areas where the ejected water will run or pool.
4. Before cleaning, check the surroundings and objects to be cleaned. Pressure jets can scrape away paint or other surface treatments including toxic chemicals. Take the preventive

measures if necessary.

5. Be careful not to trip over by the hose of the pressure washer. Always be aware of the configuration of the hose during operation.
6. During use, a small amount of water will come out from the bottom of the pressure washer. Be careful not to operate the tool above the areas where you do not want them to be wet.

Personal safety

1. To protect against the jet and objects by the jet, operators should wear appropriate clothing such as safety boots, safety gloves, safety helmets with visors, hearing protection, etc.
2. Wear personal protective equipment. Depending on application, use face shield, safety goggles or safety glasses as eye protection is capable of stopping flying debris generated by various operations.
3. Do not use the pressure washer within range of persons unless they wear protective clothing.
4. To reduce the risk of injury, close supervision is necessary when the product is used near children.
5. If connection is made to a potable water system, the system shall be protected against backflow.
6. Water that has flowed through backflow preventer is considered to be non-potable.

Electrical safety

1. Never touch battery cartridges with wet hands.
2. Do not use the appliance if the important parts of the appliance are damaged, e.g. safety devices, pressure hoses.
3. Avoid dangerous environment. Don't use the tool in damp or wet locations or expose it to rain. Water entering the tool will increase the risk of electric shock.

Power tool use and care

1. Read all the instructions before using the product.
2. Know how to stop the pressure washer and bleed pressures quickly. Be thoroughly familiar with the controls.
3. Do not spray flammable and/or toxic liquids. This may cause an explosion, intoxication, or damage to the appliance.
4. Do not direct the jet against yourself or others in order to clean clothes or footwear.
5. Pressure hoses, fittings and couplings are important for the safety of the appliance. Use only hoses, fittings and couplings recommended by the manufacturer.
6. Follow the instructions when changing accessories.
7. Keep handles dry, clean, and free of oil or grease.
8. Stay alert – watch what you are doing.
9. Do not operate the product when fatigued or under the influence of alcohol or drugs.
10. Do not run the pressure washer without water for longer than one minute. It will damage the motor, resulting in malfunction.

11. **Always turn off the power and shut off the water mains when leaving the pressure washer unattended.**
12. **Be wary of the kickback. The appliance recoils when the pressure jet is ejected from the nozzle. Hold the appliance firmly to prevent accidental injuries.**
13. **Check for damaged or worn parts before use. Also make sure that the hose is properly connected and there is no leakage during operation. Operating the appliance with functional defects may cause an accident.**
14. **Do not pull the hose to move the pressure washer body. This will damage the hose and connecting parts and result in a short circuit or functional defects.**
15. **Do not put heavy objects on the hose or let vehicles drive over it.**
16. **Always discharge the residual pressure in the appliance before disconnecting the hose.**
17. **When connecting the hose to the water mains, observe the instructions of your local waterworks department or company.**
18. **If the pressure washer is dropped or hits against a hard object, be sure to check for damage and crack. Using the pressure washer damaged may generate smoke, fire, or cause electric shock, which result in personal injury.**
19. **Prevent unintentional starting. Ensure the switch is in the off-position before connecting to battery pack, picking up or carrying the appliance. Carrying the appliance with your finger on the switch or energizing appliance that have the switch on invites accidents.**
20. **Disconnect the battery pack from the appliance before making any adjustments, changing accessories, or storing appliance. Such preventive safety measures reduce the risk of starting the appliance accidentally.**
21. **Do not modify or attempt to repair the appliance or the battery pack except as indicated in the instructions for use and care.**
22. **WARNING – Risk of Injection or Injury– Do Not Direct Discharge Stream At Persons.**
23. **Be sure that an object or area to be cleaned is durable against watering. Otherwise may cause damage to the item or site resulting in personal injury.**

Battery tool use and care

1. **Recharge only with the charger specified by the manufacturer.** A charger that is suitable for one type of battery pack may create a risk of fire when used with another battery pack.
2. **Use power tools only with specifically designated battery packs.** Use of any other battery packs may create a risk of injury and fire.
3. **When battery pack is not in use, keep it away from other metal objects, like paper clips, coins, keys, nails, screws or other small metal objects, that can make a connection from one terminal to another.** Shorting the battery terminals together may cause burns or a fire.
4. **Under abusive conditions, liquid may be ejected from the battery; avoid contact. If**

contact accidentally occurs, flush with water. If liquid contacts eyes, additionally seek medical help. Liquid ejected from the battery may cause irritation or burns.

5. **Do not use a battery pack or tool that is damaged or modified.** Damaged or modified batteries may exhibit unpredictable behaviour resulting in fire, explosion or risk of injury.
6. **Do not expose a battery pack or tool to fire or excessive temperature.** Exposure to fire or temperature above 130 °C may cause explosion.
7. **Follow all charging instructions and do not charge the battery pack or tool outside the temperature range specified in the instructions.** Charging improperly or at temperatures outside the specified range may damage the battery and increase the risk of fire.

Service

1. **Follow the maintenance instructions specified in the manual.**
2. **To ensure appliance safety, use only original spare parts from the manufacturer or approved by the manufacturer.**
3. **Have your pressure washer serviced by a qualified repair person using only identical replacement parts. This will ensure that the safety of the pressure washer is maintained.**
4. **In case of breakdown or malfunction of the pressure washer, immediately switch it off and remove the battery cartridge(s). Contact your local dealer or service center.**

Additional safety warnings

1. **Do not use the tool when there is a risk of lightning.**
2. **When you use the tool on muddy ground, wet slope, or slippery place, pay attention to your footing.**
3. **Avoid working in poor environment where increased user fatigue is expected.**
4. **Do not replace the battery in the rain.**
5. **Do not submerge the tool into a puddle.**
6. **When storing the tool, avoid direct sunlight and rain, and store it in a place where it does not get hot or humid.**
7. **After using the tool, remove the adhered dirt and dry the tool completely before storing.** Depending on the season or the area, there is a risk of malfunction due to freezing.
8. **Do not wet the terminal of battery with liquid such as water, or submerge the battery. Do not leave the battery in the rain, nor charge, use, or store the battery in a damp or wet place.** If the terminal gets wet or liquid enters inside of battery, the battery may be short circuited and there is a risk of overheat, fire, or explosion.
9. **After removing the battery from the tool or charger, be sure to attach the battery cover to the battery and store it in a dry place.**
10. **Do not replace the battery with wet hands.**
11. **If the appliance is frozen due to cold weather, contact an authorized service center for repairs.**
12. **Do not use a corded power supply such as**

battery adapter or portable power pack with this appliance. The cable of such power supply may hinder the operation and result in personal injury.

SAVE THESE INSTRUCTIONS.

⚠WARNING: DO NOT let comfort or familiarity with product (gained from repeated use) replace strict adherence to safety rules for the subject product.

MISUSE or failure to follow the safety rules stated in this instruction manual may cause serious personal injury.

Important safety instructions for battery cartridge

1. Before using battery cartridge, read all instructions and cautionary markings on (1) battery charger, (2) battery, and (3) product using battery.
2. Do not disassemble or tamper with the battery cartridge. It may result in a fire, excessive heat, or explosion.
3. If operating time has become excessively shorter, stop operating immediately. It may result in a risk of overheating, possible burns and even an explosion.
4. If electrolyte gets into your eyes, rinse them out with clear water and seek medical attention right away. It may result in loss of your eyesight.
5. Do not short the battery cartridge:
 - (1) Do not touch the terminals with any conductive material.
 - (2) Avoid storing battery cartridge in a container with other metal objects such as nails, coins, etc.
 - (3) Do not expose battery cartridge to water or rain.

A battery short can cause a large current flow, overheating, possible burns and even a breakdown.

6. Do not store and use the tool and battery cartridge in locations where the temperature may reach or exceed 50 °C (122 °F).
7. Do not incinerate the battery cartridge even if it is severely damaged or is completely worn out. The battery cartridge can explode in a fire.
8. Do not nail, cut, crush, throw, drop the battery cartridge, or hit against a hard object to the battery cartridge. Such conduct may result in a fire, excessive heat, or explosion.
9. Do not use a damaged battery.
10. The contained lithium-ion batteries are subject to the Dangerous Goods Legislation requirements.

For commercial transports e.g. by third parties, forwarding agents, special requirement on packaging and labeling must be observed.

For preparation of the item being shipped, consulting an expert for hazardous material is required. Please also observe possibly more detailed

national regulations.

Tape or mask off open contacts and pack up the battery in such a manner that it cannot move around in the packaging.

11. When disposing the battery cartridge, remove it from the tool and dispose of it in a safe place. Follow your local regulations relating to disposal of battery.
12. Use the batteries only with the products specified by Makita. Installing the batteries to non-compliant products may result in a fire, excessive heat, explosion, or leak of electrolyte.
13. If the tool is not used for a long period of time, the battery must be removed from the tool.
14. During and after use, the battery cartridge may take on heat which can cause burns or low temperature burns. Pay attention to the handling of hot battery cartridges.
15. Do not touch the terminal of the tool immediately after use as it may get hot enough to cause burns.
16. Do not allow chips, dust, or soil stuck into the terminals, holes, and grooves of the battery cartridge. It may cause heating, catching fire, burst and malfunction of the tool or battery cartridge, resulting in burns or personal injury.
17. Unless the tool supports the use near high-voltage electrical power lines, do not use the battery cartridge near high-voltage electrical power lines. It may result in a malfunction or breakdown of the tool or battery cartridge.
18. Keep the battery away from children.

SAVE THESE INSTRUCTIONS.

⚠CAUTION: Only use genuine Makita batteries. Use of non-genuine Makita batteries, or batteries that have been altered, may result in the battery bursting causing fires, personal injury and damage. It will also void the Makita warranty for the Makita tool and charger.

Tips for maintaining maximum battery life

1. Charge the battery cartridge before completely discharged. Always stop tool operation and charge the battery cartridge when you notice less tool power.
2. Never recharge a fully charged battery cartridge. Overcharging shortens the battery service life.
3. Charge the battery cartridge with room temperature at 10 °C - 40 °C (50 °F - 104 °F). Let a hot battery cartridge cool down before charging it.
4. When not using the battery cartridge, remove it from the tool or the charger.
5. Charge the battery cartridge if you do not use it for a long period (more than six months).

FUNCTIONAL DESCRIPTION

CAUTION: Always be sure that the tool is switched off and the battery cartridge is removed before adjusting or checking function on the tool.

Installing or removing battery cartridge

CAUTION: Always switch off the tool before installing or removing of the battery cartridge.

CAUTION: Hold the tool and the battery cartridge firmly when installing or removing battery cartridge. Failure to hold the tool and the battery cartridge firmly may cause them to slip off your hands and result in damage to the tool and battery cartridge and a personal injury.

CAUTION: Be careful not to pinch your fingers when opening or closing the battery cover.

Open the cover while pushing the lock lever.

► **Fig.1:** 1. Cover 2. Lock lever

Align the tongue on the battery cartridge with the groove in the housing and slip it into place. Insert it all the way until it locks in place with a little click. If you can see the red indicator as shown in the figure, it is not locked completely.

► **Fig.2:** 1. Red indicator 2. Button 3. Battery cartridge

After installing or removing the battery cartridges, be sure to close the cover.

To remove the battery cartridge, open the cover, slide the battery cartridge off the tool while pushing down the button on front, then close the cover.

CAUTION: Always install the battery cartridge fully until the red indicator cannot be seen. If not, it may accidentally fall out of the tool, causing injury to you or someone around you.

CAUTION: Do not install the battery cartridge forcibly. If the cartridge does not slide in easily, it is not being inserted correctly.

CAUTION: Be sure to lock the cover before operating.

Tool / battery protection system

The tool is equipped with a tool/battery protection system. This system automatically cuts off power to the motor to extend tool and battery life. The tool will automatically stop with indication if the tool or battery is placed under one of the following conditions:

► **Fig.3:** 1. Indicator

Overload protection

When the tool or battery is operated in a manner that causes it to draw an abnormally high current, the tool automatically stops and the red indicator lights up. In this situation, turn the tool off and stop the application

that caused the tool to become overloaded. Then turn the tool on to restart.

Overheat protection

When the tool or battery is overheated, the tool stops automatically and the red indicator lights up. In this situation, let the tool cool down before turning the tool on again.

Overdischarge protection

When the battery capacity becomes low, the red indicator blinks. When the battery becomes close to empty, the tool stops automatically and the red indicator lights up. In this case, remove the battery from the tool and charge the battery.

Protections against other causes

Protection system is also designed for other causes that could damage the tool and allows the tool to stop automatically. Take all the following steps to clear the causes, when the tool has been brought to a temporary halt or stop in operation.

1. Turn the tool off, and then turn it on again to restart.
2. Charge the battery(ies) or replace it/them with recharged battery(ies).
3. Let the tool and battery(ies) cool down.

If no improvement can be found by restoring protection system, then contact your local Makita Service Center.



















NOTICE: If the tool stops due to a cause not described above, refer to the section for troubleshooting.

Indicating the remaining battery capacity

Only for battery cartridges with the indicator

Press the check button on the battery cartridge to indicate the remaining battery capacity. The indicator lamps light up for a few seconds.

► **Fig.4:** 1. Indicator lamps 2. Check button

Indicator lamps			Remaining capacity
 Lighted	 Off	 Blinking	
			75% to 100%
			50% to 75%
			25% to 50%
			0% to 25%
			Charge the battery.
 	 ↑ ↓ 	 	The battery may have malfunctioned.

NOTE: Depending on the conditions of use and the ambient temperature, the indication may differ slightly from the actual capacity.

NOTE: The first (far left) indicator lamp will blink when the battery protection system works.

Pressure mode switch

Select your desired pressure mode by sliding the switch lever forwards and backwards.

Pull the lever backwards for low pressure mode so a number symbol "1" reads on the switch.

Push the lever forwards for high pressure mode so a number symbol "2" reads on the switch.

► **Fig.5:** 1. Low pressure mode (1) 2. High pressure mode (2) 3. Pressure mode switch lever

Switch trigger

The pressure washer employs a safety lock on the trigger. To release the trigger lock, depress the lock button into the trigger so the trigger surface becomes flat.

Pull the switch trigger to eject a water jet. The jet continues as long as the trigger is squeezed.

► **Fig.6:** 1. Switch trigger 2. Lock button

Push the lock button back out from inside the trigger to engage the trigger lock.

Be sure to lock the trigger when the pressure washer is not in use.

► **Fig.7:** 1. Switch trigger 2. Lock button

Nozzle functions

Multi-pattern (5-in-1) spray nozzle features a range of spray patterns that you can adjust depending on your washing needs. By combining five of the most-used spray patterns in one nozzle, no more switching from one to the next, simply dial in the right spray pattern for your task.

Simple changeover of nozzles, 0°, 15°, 25°, 40° and shower

► **Fig.8**

► **Fig.9:** 1. Spray pattern symbol 2. Triangle mark

Turn the nozzle head left or right to your desired spray pattern position. Correctly align the spray pattern symbol you want to select with the triangle mark so that the nozzle head locks with a click.

► **Fig.10**

NOTICE: Be careful not to set the nozzle head in an unclicked position. The tool may otherwise create irregular spray patterns resulting in water leaks.

CAUTION: Try not to rotate the nozzle body together as you change spray patterns. The nozzle may come off from the tool body and cause personal injury.

Safety valve

This tool is equipped with a safety valve that prevents undue overpressure.

CAUTION: Do not tamper with or adjust the safety valve setting.

ASSEMBLY

CAUTION: Always be sure that the tool is switched off and the battery cartridge is removed before carrying out any work on the tool.

Installing nozzle and lance extension

CAUTION: Always lock the switch trigger while attaching/detaching a nozzle and extension.

Nozzle

Align the guide projections on the nozzle end with the locking slots in the tool housing. Push the nozzle all the way in until the two triangle marks on the nozzle and housing face to each other. Then turn the nozzle in the direction shown in the figure to engage the lock. Having installed the nozzle, try pulling it back to ensure it is securely held in place.

► **Fig.11:** 1. Nozzle 2. Guide projection 3. Locking slot 4. Triangle marks 5. Pelvic-fin-like outline

NOTE: Make sure to turn a pelvic-fin-like outline facing downwards.

To detach the nozzle, push and hold the nozzle towards the tool housing, and then turn it counter-wise until the two triangle marks face to each other. Pull the nozzle apart from the tool housing after it becomes unlocked.

Lance extension

Watering any hard-to-reach spots. Install the lance extension in between the tool housing and nozzle by following the same steps as described for nozzle installation.

► **Fig.12:** 1. Lance extension 2. Tool housing 3. Nozzle 4. Guide projections 5. Locking slots 6. Triangle marks

To detach the attachments, push and hold the tip attachment towards the mount attachment/housing, and then turn it counter-wise until the two triangle marks face to each other. Pull the tip attachment apart from the mount attachment/housing after it becomes unlocked.

Connecting to tank water supply

NOTICE: Always use the pressure hose and strainer supplied with this tool to supply water.

NOTICE: Always keep 2.0 m or less in height between the inlet of the pressure washer and the water surface. Otherwise, the pressure washer will be unable to take the water up into the pump.

NOTICE: Be sure to fill a water container more than 25 mm thick from the bottom and to submerge the strainer in water completely.

Water can be supplied from a tank/container/reservoir of any size.

A tank supplied watering addresses such pressure washing situations, e.g., car washing and gardening etc., where water is not available and has to be transported to the washing area or site.

1. Attach the strainer to one end of the pressure hose.

Insert the strainer outlet into the coupling sleeve and push it through until the strainer is secured in place.

► **Fig.13:** 1. Strainer 2. Coupling sleeve 3. Pressure hose

2. Leave the strainer on the bottom of the water container.

► **Fig.14:** 1. Strainer 2. Pressure hose 3. Hose hook

NOTE: Hang the hose along the opening using a supplied hose hook so that the strainer sits still at the bottom of the container.

3. Attach the other end of the hose to the water hose connector on the pressure washer.

Place the coupling sleeve over the inlet of the connector and push it through until the coupling sleeve is secured in place.

► **Fig.15:** 1. Coupling sleeve 2. Water hose connector

CAUTION: Make sure that the pressure hose is securely connected. A loose connection may blow the pressure hose off, resulting in a personal injury.

NOTICE: Introduce water into the pressure washer and hose beforehand whenever you are to lift water from a certain depth in the high pressure mode.

Connecting to mains water supply

CAUTION: Always use the pressure hose supplied with this tool to supply water.

NOTICE: If you connect to the mains for drinking water, use a backflow preventer valve which meets the regulations in your region.

NOTICE: Maintain a feed pressure of the inlet water less than 0.5 MPa for fine feed. Do not exceed the maximum feed pressure as it may cause water leaks when the tool stops working.

Water can be supplied from mains water that is available at the washing area or site.

A continuous water supply allows you not to mind refilling water and enables your efficient home cleaning and gardening, such as spot cleaning, rinsing, and watering on the vast area of lawn or vegetation.

1. Connect the pressure hose to the faucet.

Apply a suitable fitting such as water tap joint to secure the hose end with the faucet.

► **Fig.16:** 1. Water tap joint 2. Coupling sleeve 3. Pressure hose

NOTE: The type of fitting depends on the shape of the faucet to which you connect. Prepare a suitable commercially purchased fitting.

2. Attach the other end of the hose to the water hose connector on the pressure washer.

Place the coupling sleeve over the inlet of the connector and push it through until the coupling sleeve is secured in place.

► **Fig.17:** 1. Coupling sleeve 2. Water hose connector

Installing foam nozzle

Optional accessory

CAUTION: Always lock the switch trigger while attaching/detaching optional attachments.

NOTICE: Use only neutral detergents. Do not use household detergents, acid detergents, alkaline detergents, bleaches, solvents, flammable material, or industrial grade solutions, which may damage the tool or your property. Prepare cleaning solution as instructed on the solution bottle, and always test it in an inconspicuous place in advance.

NOTICE: If a highly viscous detergent is used, the nozzle is likely to clog. When using the high viscosity detergent, dilute the detergent by adding water to the bottle before use.

NOTE: When using the foam nozzle, the detergent in the bottle is diluted with the water supplied by the tool and sprayed. You do not have to dilute the concentration of detergent in the bottle more than necessary. Adjust the concentration of detergent while checking the usage conditions.

NOTE: If the foam nozzle is tipped on its side, the detergent may spill.

Prepare detergent before using the foam nozzle.

1. Fill the tank with detergent. Attach the nozzle onto the tank and securely tighten the lid.

2. Tilt the foam nozzle to align its guide projections with the locking slots in the tool housing. Push the nozzle all the way in and hold it in place. Then turn the foam nozzle in the direction shown in the figure to engage the lock.

► **Fig.18:** 1. Foam nozzle 2. Tank 3. Guide projection 4. Locking slot

Having installed the nozzle, try pulling it back to ensure it is securely held in place.

3. Turn the detergent dial to adjust the suction volume of the detergent solution.

- **Fig.19:** 1. Detergent dial 2. Dial to minimum 3. Dial to maximum

Installing optional nozzles

Optional accessory

CAUTION: Always lock the switch trigger while attaching/detaching optional attachments.

Align the guide projections on an optional nozzle with the locking slots in the tool housing. Push the nozzle all the way in and hold it in place. Then turn the nozzle in the direction shown in the figure to engage the lock. Having installed the nozzle, try pulling it back to ensure it is securely held in place.

- **Fig.20:** 1. Nozzles 2. Guide projection 3. Locking slot

To detach the nozzle, push and hold the nozzle towards the tool housing, and then turn it counter-wise to release the lock. Pull the nozzle apart from the pressure washer after it becomes unlocked.

Installing plastic bottle adapter

Optional accessory

CAUTION: Always lock the switch trigger while attaching/detaching optional attachments.

CAUTION: Be sure to attach the plastic bottle adapter securely to the pressure washer and plastic bottle. Failure to do so may cause the bottle to fall resulting in personal injury.

NOTE: Some kinds of plastic bottles cannot be attached.

(Use the plastic bottle with a screw outer diameter of 28 mm (1-1/8").)

NOTE: A use of 2-liter (half-gallon) plastic bottle can be favored for containing water.

1. Fill water in a plastic bottle.
2. Throw the suction pipe down through the bottle opening.
3. Attach the adapter to the bottle by threading the nut of the coupling sleeve.
4. Attach the plastic bottle adapter to the water hose connector on the pressure washer.

Place the coupling sleeve over the inlet of the connector and push it through until the coupling sleeve is secured in place.

- **Fig.21:** 1. Plastic bottle adapter 2. Suction pipe 3. Plastic bottle 4. Water hose connector

OPERATION

WARNING: Do not touch the water jet or direct it toward yourself or others. The water jet is dangerous and can hurt you or others.

WARNING: When shooting the water jet, never hold the object that you are cleaning or place your hands and feet near the water jet.

CAUTION: Do not run the pressure washer without water for longer than 1 minute(s).

CAUTION: Do not operate the pressure washer for an extended period of time. This may cause overheating or fire. Also, long-term use may cause vibration disorder.

CAUTION: Be aware of the direction of the wind. If the detergent gets into your eyes or mouth, rinse with fresh water immediately and seek medical attention if necessary.

NOTICE: To protect the mechanism of the pressure washer, do not use water hotter than 40°C (104°F).

NOTICE: Do not use an untreated water supply, such as river water, pond water, and sandy or muddy water. Unfiltered dirty water may cause deposition of undesired material in the pump resulting in malfunction.

Water lifting height

A vertical height from the water source to water suction inlet of the pressure washer requires to be within 2.0 m.

Pooled water depth

Fill a water container more than 25 mm thick from the bottom.

- **Fig.22:** 1. Water lifting height 2. Pooled water depth

Steps in basic operation

1. Connect the water hose inlet to the water supply.
 2. Connect the water hose outlet to the pressure washer.
- **Fig.23**
3. If the remaining water in the pressure washer has been discharged since it was last used, introduce water into the pressure hose and pressure washer.

Let water run through the hose and washer until any air in them is released.

- (1) Remove the nozzle from the pressure washer.
 - (2) Install the battery cartridge into the pressure washer.
 - (3) Select the high pressure mode.
 - (4) Unlock the switch trigger.
 - (5) Pull and hold the switch trigger until the pressure washer generates a stable water jet.
- **Fig.24:** 1. Pressure mode switch lever

After allowing air locks out of the pressure washer and hose, release the switch trigger.

Remove the battery cartridge from the pressure washer, and attach the nozzle suitable for your purpose.

4. Open the cover and install the battery cartridge into the pressure washer and then lock the cover.

► Fig.25: 1. Battery cartridge 2. Cover

CAUTION: Be careful not to pinch your fingers when opening or closing the battery cover.

5. Select your desired pressure mode. Then unlock the switch trigger.

► Fig.26: 1. Pressure mode switch lever 2. Switch trigger 3. Lock button

6. Point the nozzle head at watering area or site. Squeeze the switch trigger.

The water jet continues as long as the trigger is squeezed.

► Fig.27

► Fig.28

CAUTION: Hold the pressure washer firmly. The tool recoils when you pull the switch trigger.

CAUTION: Always hold the pressure washer by the grip and barrel when ejecting water jet.

After use

CAUTION: After operating the pressure washer, always perform the procedure described in this manual. Residual pressure in the pressure washer can cause personal injury or damage to the pump inside.

1. Release the switch trigger and lock it using the lock button.

2. Disconnect the water hose from the water supply.

► Fig.29

3. Unlock the switch trigger and squeeze it until the remaining water in the pressure washer and hose is discharged.

► Fig.30

NOTICE: Do not run the motor for longer than 1 minute(s).

4. Release the switch trigger and lock it using the lock button. Then remove the battery from the pressure washer.

► Fig.31: 1. Lock button 2. Battery cartridge

5. Disconnect the pressure hose from the pressure

washer.

► Fig.32: 1. Coupling sleeve 2. Water hose connector

NOTICE: To prevent the pressure hose from being damaged, remove the remaining water in the hose before storing.

MAINTENANCE

CAUTION: Always be sure that the tool is switched off and battery cartridge is removed before attempting to perform inspection or maintenance.

NOTICE: Never use gasoline, benzine, thinner, alcohol or the like. Discoloration, deformation or cracks may result.

To maintain product SAFETY and RELIABILITY, repairs, any other maintenance or adjustment should be performed by Makita Authorized or Factory Service Centers, always using Makita replacement parts.

Cleaning nozzles

Use the cleaner pin, a tiny file type finger, to remove clogged dirt from the nozzle openings.

► Fig.33: 1. Cleaner pin 2. Nozzle

NOTE: To maintain the optimal performance, clean the nozzle periodically.

NOTICE: Do not remove dirt or debris forcibly. This may result in personal injury or damage to the ejection hole causing deviated jet angles or poor performance.

Cleaning filters

Detach the water hose connector from the pressure washer. Remove dust or dirt adhered to the filter.

► Fig.34: 1. Water hose connector 2. Filter 3. Sealing ring

Disassemble the strainer by unthreading the filter case. Remove dust or dirt adhered to the filter.

► Fig.35: 1. Filter 2. Filter case

NOTE: To maintain the optimal performance, clean the filter periodically.

TROUBLESHOOTING

Before asking for repairs, conduct your own inspection first. If you find a problem that is not explained in the manual, do not attempt to dismantle the tool. Instead, ask Makita Authorized Service Centers, always using Makita replacement parts for repairs.

State of abnormality	Probable cause (malfunction)	Remedy
The washer does not start.	No electricity	Install charged battery cartridge.
	The switch trigger is locked.	Unlock the switch trigger.
	Damaged battery or electric circuit	Contact an authorized service center for repairs.

State of abnormality	Probable cause (malfunction)	Remedy
No water jet / weak water jet	No water supply	Make sure that the faucet is open. If connecting to tank water supply, introduce water into the pressure washer and hose.
	Poor water supply	Turn on the faucet.
	Poor water hose connection	Check the connection between the pressure washer and water supply.
	Deformed or worn water hose	Straighten the hose. Replace the damaged water hose with new one.
	Clogged hose or nozzle	Unclog the hose or nozzle.
	Clogged filters	Remove dust or dirt adhered to the filters in the strainer and the water hose connector.
	Waste/contaminated water	Clean the water system and refill with clean water.
	Damaged or worn nozzle	Replace the nozzle.
	Pump or valve malfunction	Contact an authorized service center for repairs.
	Loose water joint	Secure the connection between water hose and coupling sleeves.
	Leaks from water supply connection	Re-tighten the connection between the water hose and water supply.
	Insufficiently installed strainer	Submerge the strainer into the water completely.
Low pressure mode in use	Select the high pressure mode.	
Unstable water jet	Clogged nozzle	Unclog on the ejection hole of the nozzle using the cleaner pin.
	Poor water suction	Check the water hose for any leakage or clogs.
	The water is too hot.	Supply cooler water.
	Valve malfunction	Contact an authorized service center for repairs.
Abnormal sound	The water is too hot.	Supply cooler water.
Water leakage	Poor connection	Check the connection between the pressure washer and water supply.
	Poor nozzle installation	Push the nozzle all the way in. Then turn the nozzle until it is locked securely.
	Nozzle head stays in an incorrect position	Set the nozzle head in a clicked position with a spray pattern symbol clearly visible.
	Worn out sealings	Contact an authorized service center for repairs.

OPTIONAL ACCESSORIES

⚠ CAUTION: These accessories or attachments are recommended for use with your Makita tool specified in this manual. The use of any other accessories or attachments might present a risk of injury to persons. Only use accessory or attachment for its stated purpose.

If you need any assistance for more details regarding these accessories, ask your local Makita Service Center.

NOTE: Some items in the list may be included in the tool package as standard accessories. They may differ from country to country.

Foam nozzle

► Fig.36

Detergent can be sprayed as foam.

Washing brush

► Fig.37

A nozzle equipped with a brush. Useful for washing out dirt while scrubbing with brush.

Angle nozzle

► Fig.38

An angled nozzle head can rotate 360 degrees, allowing for maneuverability and coverage without any dead angles.

Plastic bottle adapter

► Fig.39

Pump bottled water and easily extract it from a plastic bottle. A water bottle can serve as a water source.

AVERTISSEMENT

- L'appareil ne doit pas être utilisé par des enfants. Les enfants doivent faire l'objet d'une surveillance afin d'éviter qu'ils ne jouent avec l'appareil.
- Cet appareil n'est pas prévu pour être utilisé par des personnes (dont les enfants) aux capacités physiques, sensorielles ou mentales réduites ou qui manquent d'expérience et de connaissances, à moins qu'ils aient fait l'objet d'une supervision ou d'une formation à l'utilisation de l'appareil par une personne responsable de leur sécurité.
- L'eau sous pression ne doit pas être dirigée vers des personnes, un équipement électrique sous tension ou l'appareil lui-même.
- Assurez-vous toujours que l'appareil est éteint et que la batterie est retirée avant de procéder à n'importe quelle tâche sur l'outil.
- N'utilisez pas l'appareil si des pièces importantes de l'appareil sont endommagées, à savoir les dispositifs de sécurité, les tuyaux haute pression.
- Lisez les instructions de la section Entretien pour des précautions détaillées pendant l'entretien à la charge de l'utilisateur.
- Apprenez la plage de température normale pour la charge de la batterie. Lisez les instructions de sécurité pour la batterie afin de connaître les précautions relatives à la manipulation des batteries.
- Lisez les instructions de la section Assemblage pour des précautions détaillées pendant l'installation de l'appareil.
- Apprenez la pression d'entrée de l'eau maximum. Lisez la section Spécifications pour des informations détaillées sur la connexion à l'arrivée d'eau.
- Utilisez toujours le jeu de tuyaux fourni avec l'appareil. Lisez les instructions de la section Assemblage pour connaître les précautions relatives à la connexion à l'arrivée d'eau.
- L'ouverture de remplissage de l'eau ne doit pas être ouverte pendant l'utilisation. Suivez les instructions dans la section Assemblage pour conserver la pression de l'eau.
- Ne l'utilisez pas dans des piscines remplies d'eau.

- Respectez les exigences de la compagnie des eaux locale.
- Pour les pays européens :
Selon EN12729 (BA), l'appareil peut également être raccordé à l'arrivée d'eau potable si un disconnecteur hydraulique avec dispositif de vidange est installé sur le tuyau d'alimentation.

SPÉCIFICATIONS

Modèle :		DHW180
Débit volumétrique max. ^{*1} [Approvisionnement en eau d'un réservoir / Approvisionnement via l'arrivée d'eau]		3,0 / 5,3 L/min
Débit volumétrique d'eau ^{*2}	Mode haute pression	2,5 L/min
	Mode basse pression	1,5 L/min
Pression de fonctionnement max.		2,4 MPa
Pression de fonctionnement ^{*2}	Mode haute pression [Approvisionnement en eau d'un réservoir / Approvisionnement via l'arrivée d'eau]	2,0 / 2,2 MPa
	Mode basse pression [Approvisionnement en eau d'un réservoir / Approvisionnement via l'arrivée d'eau]	0,8 / 0,8 MPa
Pression d'alimentation max.		0,5 MPa
Température d'alimentation max.		40 °C
Hauteur d'aspiration max.		2,0 m
Tension nominale		18 V CC
Dimensions ^{*3} [L x P x H]		888 mm x 99 mm x 239 mm
Poids		2,3 - 2,7kg

*1 : Sans buse

*2 : Motif de pulvérisation 15°

*3 : Avec la buse 5-en-1 et le tuyau prolongateur

- Étant donné l'évolution constante de notre programme de recherche et de développement, les spécifications contenues dans ce manuel sont sujettes à modification sans préavis.
- Les spécifications peuvent varier suivant les pays.
- Le poids peut être différent selon le ou les accessoires, notamment la batterie. Les associations la plus légère et la plus lourde sont indiquées dans le tableau.

Batterie et chargeur applicables

Batterie	BL1815N / BL1820B / BL1830B / BL1840B / BL1850B / BL1860B
Chargeur	DC18RC / DC18RD / DC18RE / DC18SD / DC18SE / DC18SF / DC18SH / DC18WC

- Certains chargeurs et batteries répertoriés ci-dessus peuvent ne pas être disponibles selon la région où vous résidez.

⚠ AVERTISSEMENT : N'utilisez que les batteries et les chargeurs répertoriés ci-dessus. L'utilisation d'autres batteries et chargeurs peut provoquer des blessures et/ou un incendie.

⚠ AVERTISSEMENT : N'utilisez pas de source d'alimentation câblée comme un adaptateur de batterie ou un support d'alimentation portable avec cette machine. Le câble de ce type de source d'alimentation pourrait gêner le fonctionnement et provoquer des blessures corporelles.

Symboles

Vous trouverez ci-dessous les symboles susceptibles d'être utilisés pour l'appareil. Veuillez à comprendre leur signification avant toute utilisation.



Lire le mode d'emploi.



Veuillez être prudent et rester attentif.



Ni-MH
Li-Ion

Pour les pays de l'Union européenne uniquement
En raison de la présence de composants dangereux dans l'équipement, les déchets d'équipements électriques et électroniques, les accumulateurs et les batteries peuvent avoir un impact négatif sur l'environnement et la santé humaine.
Ne jetez pas les appareils électriques et électroniques ou les batteries avec les ordures ménagères !
Conformément à la directive européenne relative aux déchets d'équipements électriques et électroniques et aux déchets d'accumulateurs et de batteries, ainsi qu'à son adaptation à la législation nationale, les déchets d'équipements électriques, les batteries et les accumulateurs doivent être collectés séparément et déposés dans un point de collecte distinct pour déchets urbains, conformément aux réglementations en matière de protection de l'environnement.
Cela est indiqué par le symbole de la poubelle à roulettes barrée sur l'équipement.



Ne raccordez pas la machine à un robinet d'eau potable.



Ne dirigez pas le jet vers vous-même ou d'autres personnes, des animaux et des appareils électriques sous tension.

Utilisations

Cet outil est conçu pour nettoyer la saleté au moyen d'un jet d'eau dans le cadre d'une utilisation domestique. En offrant un type de pulvérisation sélectionnable, l'outil permet d'améliorer le lavage ainsi que l'arrosage des pelouses et jardins.

CONSIGNES DE SÉCURITÉ

CONSIGNES DE SÉCURITÉ IMPORTANTES

AVERTISSEMENT : Lisez toutes les consignes de sécurité et toutes les instructions. Il y a risque d'électrocution, d'incendie et/ou de graves blessures si les mises en garde et les instructions ne sont pas respectées.

Conservez toutes les mises en

garde et instructions pour référence ultérieure.

AVERTISSEMENT - Lors de l'utilisation de ce produit, certaines précautions élémentaires doivent toujours être prises, dont les suivantes :

Sécurité de la zone de travail

1. **Éloignez les personnes de la zone d'utilisation.**
2. **Ne vous penchez pas trop loin, ni ne vous tenez sur une base instable. Maintenez constamment une bonne assise et un bon équilibre.**
3. **Placez toujours le corps du nettoyeur haute pression sur une surface plane et stable. Évitez les endroits où l'eau projetée s'écoulera ou s'accumulera.**
4. **Avant le nettoyage, inspectez les environs et les objets à nettoyer. Les jets à pression peuvent décoller la peinture ou les autres traitements de surface, y compris les produits chimiques toxiques. Prenez les mesures de prévention requises.**
5. **Prenez garde de ne pas trébucher sur le tuyau du nettoyeur haute pression. Soyez toujours attentif à la configuration du tuyau pendant l'utilisation.**
6. **Pendant l'utilisation, une petite quantité d'eau s'échappera du bas du nettoyeur haute pression. Prenez soin de ne pas utiliser l'outil au-dessus d'endroits où vous ne souhaitez pas qu'ils soient mouillés.**

Sécurité personnelle

1. **Pour se protéger du jet et des objets propulsés par le jet, l'utilisateur doit porter des vêtements appropriés comme des chaussures de sécurité, des gants de sécurité, un casque de chantier avec visière, des protège-tympans, etc.**
2. **Portez un équipement de protection individuelle.** Selon l'application, l'utilisation d'un écran facial, de lunettes de sécurité ou de lunettes à coques comme protection oculaire permet d'arrêter les projections de débris générées par différentes opérations.
3. **N'utilisez pas le nettoyeur haute pression à portée des personnes à moins qu'elles ne portent des vêtements protecteurs.**
4. **Afin de réduire le risque de blessure, il est nécessaire de redoubler d'attention lors de l'utilisation du produit à proximité d'enfants.**
5. **En cas de connexion à un réseau d'eau potable, une protection contre les reflux est nécessaire.**
6. **L'eau ayant circulé à travers un disconnecteur hydraulique n'est pas considérée potable.**

Sécurité électrique

1. **Ne touchez jamais les batteries avec les mains mouillées.**
2. **N'utilisez pas l'appareil si des pièces importantes de l'appareil sont endommagées, à savoir les dispositifs de sécurité, les tuyaux haute pression.**
3. **Évitez les environnements dangereux.**

N'utilisez pas l'outil dans un endroit humide, ni ne l'exposez à la pluie. Le risque d'électrocution augmente si de l'eau pénètre dans l'outil.

Utilisation et entretien des outils électriques

1. Lisez toutes les instructions avant d'utiliser le produit.
2. Vous devez savoir comment rapidement arrêter le nettoyeur haute pression et abaisser la pression. Vous devez bien vous familiariser avec les commandes.
3. Ne pulvérisez pas de liquides inflammables et/ou toxiques. Cela pourrait provoquer une explosion, une intoxication ou des dégâts à l'appareil.
4. Ne dirigez pas le jet vers vous-même ou d'autres personnes pour nettoyer les vêtements ou les chaussures.
5. Les tuyaux haute pression, les raccords et les manchons sont importants pour la sécurité de l'appareil. N'utilisez que les tuyaux, raccords et manchons recommandés par le fabricant.
6. Suivez les instructions lors du remplacement des accessoires.
7. Gardez les poignées sèches, propres et sans trace d'huile ou de graisse.
8. Restez vigilant - surveillez vos gestes.
9. N'utilisez pas le produit si vous êtes fatigué ou sous l'emprise de drogues, de médicaments ou d'alcool.
10. Ne faites pas fonctionner le nettoyeur haute pression sans eau pendant plus d'une minute. Cela endommagera le moteur, provoquant un dysfonctionnement.
11. Éteignez toujours le nettoyeur haute pression et coupez l'arrivée d'eau lorsque vous le laissez sans surveillance.
12. Faites attention au recul. L'appareil a un mouvement de recul lorsque le jet à pression sort de la buse. Tenez fermement l'appareil pour prévenir les blessures accidentelles.
13. Vérifiez que les pièces ne sont pas abîmées ou usées avant utilisation. Assurez-vous également que le tuyau est correctement branché et qu'il n'y a pas de fuite pendant le fonctionnement. Utiliser l'appareil alors qu'il présente des défauts de fonctionnement peut provoquer un accident.
14. Ne tirez pas sur le tuyau pour déplacer le corps du nettoyeur haute pression. Cela endommagera le tuyau et les éléments d'assemblage et provoquera un court-circuit ou des défauts de fonctionnement.
15. Ne placez pas d'objets lourds sur le tuyau, ni ne laissez de véhicules rouler dessus.
16. Videz toujours la pression résiduelle dans l'appareil avant de débrancher le tuyau.
17. Lorsque vous branchez le tuyau à l'arrivée d'eau, respectez les instructions du service ou de la compagnie des eaux de votre localité.
18. Si le nettoyeur haute pression tombe ou cogne contre un objet dur, vérifiez bien l'absence de dommages et de fissures. L'utilisation du nettoyeur haute pression endommagé peut générer de la fumée, un incendie, ou provoquer

une électrocution, ce qui présente un risque de blessures.

19. **Évitez les démarrages intempestifs. Assurez-vous que l'interrupteur est en position d'arrêt avant de connecter la batterie, de ramasser ou de transporter l'appareil.** Transporter l'appareil en ayant le doigt sur l'interrupteur ou le brancher alors que l'interrupteur est en position de marche est source d'accidents.
20. **Débranchez la batterie de l'appareil avant de procéder à des réglages, de changer d'accessoire ou de ranger l'appareil.** Ces mesures de sécurité préventives réduiront les risques de démarrage accidentel de l'appareil.
21. **Ne modifiez pas, ni n'essayez de réparer l'appareil ou la batterie sauf comme indiqué dans les instructions d'utilisation et d'entretien.**
22. **AVERTISSEMENT - Risque d'injection ou de blessures - Ne dirigez pas le jet vers des personnes.**
23. **Assurez-vous que l'objet ou la zone à nettoyer supportera l'arrosage.** Vous risqueriez autrement d'endommager l'élément ou le site et de vous blesser.

Utilisation et entretien des outils fonctionnant sur batterie

1. **Rechargez la batterie uniquement avec le chargeur spécifié par le fabricant.** Un chargeur qui est adapté à un type spécifique de batterie peut présenter un risque d'incendie s'il est utilisé avec un autre type de batterie.
2. **Utilisez un outil électrique uniquement avec la batterie spécifiquement indiquée.** L'utilisation de toute autre batterie peut présenter un risque de blessure et d'incendie.
3. **Lorsque vous n'utilisez pas la batterie, tenez-la à l'écart des objets métalliques, comme des trombones, pièces de monnaie, clés, clous, vis ou autres petits objets métalliques, susceptibles de créer une connexion entre deux bornes.** Court-circuiter les bornes d'une batterie entre elles peut provoquer des brûlures ou un incendie.
4. **Dans des conditions d'utilisation inadéquates, il peut y avoir une fuite de l'électrolyte de la batterie. Le cas échéant, évitez tout contact avec ce liquide. En cas de contact accidentel, rincez à l'eau. Si le liquide pénètre dans les yeux, consultez par ailleurs un médecin.** Le liquide s'échappant de la batterie peut provoquer une irritation ou des brûlures.
5. **N'utilisez pas une batterie ou un outil s'ils sont endommagés ou modifiés.** Une batterie endommagée ou modifiée peut avoir un comportement imprévisible susceptible d'entraîner un incendie, une explosion ou des blessures.
6. **N'exposez pas la batterie ou l'outil au feu ou à une température excessive.** L'exposition au feu ou à une température supérieure à 130 °C peut provoquer une explosion.
7. **Respectez toutes les instructions de charge et ne chargez pas la batterie ou l'outil en dehors de la plage de température indiquée dans les instructions.** Une charge incorrecte ou à une température en dehors de la plage indiquée peut

endommager la batterie et augmenter le risque d'incendie.

Dépannage

1. Suivez les instructions d'entretien spécifiées dans le mode d'emploi.
2. Pour garantir la sécurité de l'appareil, utilisez uniquement des pièces de rechange d'origine fournies par le fabricant ou approuvées par celui-ci.
3. Confiez la réparation de votre nettoyeur haute pression à un réparateur qualifié qui utilise uniquement des pièces de rechange identiques. Cela assurera le maintien de la sécurité du nettoyeur haute pression.
4. En cas de panne ou de dysfonctionnement du nettoyeur haute pression, éteignez-le immédiatement et retirez la ou les batteries. Contactez le revendeur ou le centre de service après-vente local.

Consignes de sécurité supplémentaires

1. N'utilisez pas l'outil en cas d'orage.
2. Lorsque vous utilisez l'outil sur un sol boueux, une pente trempée ou un endroit glissant, faites attention de ne pas perdre l'équilibre.
3. Évitez de travailler dans un piètre environnement susceptible d'accroître la fatigue de l'utilisateur.
4. Ne remplacez pas la batterie sous la pluie.
5. Ne plongez pas l'outil dans une flaque.
6. Lorsque vous rangez l'outil, évitez les endroits exposés aux rayons directs du soleil ou à la pluie, et rangez-le dans un endroit tempéré et sec.
7. Après avoir utilisé l'outil, retirez la saleté collée et séchez-le complètement avant de le ranger. Selon la saison ou la région, le gel peut présenter un risque de dysfonctionnement.
8. Ne mouillez pas la borne de la batterie avec un liquide comme de l'eau, ni ne plongez la batterie dans un liquide. Ne laissez pas la batterie sous la pluie et évitez de charger, utiliser ou ranger la batterie dans un endroit humide ou mouillé. Si la borne est mouillée ou si un liquide pénètre à l'intérieur de la batterie, un court-circuit est possible et risque de provoquer une surchauffe, un incendie ou une explosion.
9. Après avoir retiré la batterie de l'outil ou du chargeur, veillez à fixer le couvercle de batterie sur la batterie et à la ranger dans un endroit sec.
10. Ne remplacez pas la batterie avec les mains mouillées.
11. Si l'appareil est gelé par temps froid, contactez un centre de service après-vente agréé pour les réparations.
12. N'utilisez pas de source d'alimentation câblée comme un adaptateur de batterie ou un support d'alimentation portable avec cet appareil. Le câble de ce type de source d'alimentation pourrait gêner le fonctionnement et provoquer des blessures corporelles.

CONSERVEZ CES

INSTRUCTIONS.

⚠ AVERTISSEMENT : NE vous laissez PAS tromper (au fil d'une utilisation répétée) par un sentiment d'aisance et de familiarité avec le produit, en négligeant le respect rigoureux des consignes de sécurité qui accompagnent le produit en question.

La MAUVAISE UTILISATION de l'outil ou l'ignorance des consignes de sécurité indiquées dans ce mode d'emploi peut entraîner de graves blessures.

Consignes de sécurité importantes pour la batterie

1. Avant d'utiliser la batterie, lisez toutes les instructions et précautions relatives (1) au chargeur de batterie, (2) à la batterie, et (3) au produit utilisant la batterie.
2. Ne désassemblez pas et ne modifiez pas la batterie. Cela pourrait entraîner un incendie, une chaleur excessive ou une explosion.
3. Cessez immédiatement l'utilisation si le temps de fonctionnement devient excessivement court. Il y a risque de surchauffe, de brûlures, voire d'explosion.
4. Si l'électrolyte pénètre dans vos yeux, rincez-les à l'eau claire et consultez immédiatement un médecin. Il y a risque de perte de la vue.
5. Ne court-circuitiez pas la batterie :
 - (1) Ne touchez les bornes avec aucun matériau conducteur.
 - (2) Évitez de ranger la batterie dans un conteneur avec d'autres objets métalliques, par exemple des clous, des pièces de monnaie, etc.
 - (3) N'exposez pas la batterie à l'eau ou à la pluie.Un court-circuit de la batterie peut provoquer une intensité de courant élevée, une surchauffe, parfois des brûlures et même une panne.
6. Ne rangez ni n'utilisez l'outil et la batterie dans un endroit où la température risque d'atteindre ou de dépasser 50 °C.
7. Ne jetez pas la batterie au feu même si elle est sérieusement endommagée ou complètement épuisée. La batterie peut exploser au contact du feu.
8. Abstenez-vous de clouer, couper, écraser, jeter, laisser tomber la batterie, ou de la heurter contre un objet dur. Cela pourrait entraîner un incendie, une chaleur excessive ou une explosion.
9. N'utilisez pas la batterie si elle est endommagée.
10. Les batteries au lithium-ion contenues sont soumises aux exigences de la législation sur les marchandises dangereuses.
Lors du transport commercial par des tiers parties ou des transitaires par exemple, des exigences spécifiques en matière d'étiquetage et

d'emballage doivent être respectées.
Pour la préparation de l'article expédié, il est nécessaire de consulter un expert en matériau dangereux. Veuillez également respecter les réglementations nationales susceptibles d'être plus détaillées.
Recouvrez les contacts exposés avec du ruban adhésif ou du ruban de masquage et emballez la batterie de telle sorte qu'elle ne puisse pas bouger dans l'emballage.

11. **Lors de la mise au rebut de la batterie, retirez-la de l'outil et jetez-la en lieu sûr. Suivez les réglementations locales en matière de mise au rebut des batteries.**
12. **Utilisez les batteries uniquement avec les produits spécifiés par Makita.** L'insertion de batteries dans des produits non conformes peut provoquer un incendie, une chaleur excessive, une explosion ou une fuite de l'électrolyte.
13. **Lorsque vous n'utilisez pas l'outil pendant une période prolongée, la batterie doit être retirée de l'outil.**
14. **Pendant et après l'utilisation, la batterie peut chauffer, ce qui peut entraîner des brûlures, y compris en cas de température relativement basse. Manipulez les batteries chaudes avec précaution.**
15. **Ne touchez pas la borne de l'outil immédiatement après utilisation car elle peut être assez chaude pour provoquer des brûlures.**
16. **Évitez que des copeaux, de la poussière ou du sol adhèrent aux bornes, aux trous et aux rainures de la batterie.** Cela peut provoquer un échauffement, un incendie, une explosion ou un dysfonctionnement de l'outil ou de la batterie, ce qui peut entraîner des brûlures ou des blessures.
17. **À moins que l'outil prenne en charge un tel usage, n'utilisez pas la batterie à proximité de lignes électriques haute tension.** Cela pourrait entraîner un dysfonctionnement ou casser l'outil ou la batterie.
18. **Conservez la batterie hors de portée des enfants.**

CONSERVEZ CES INSTRUCTIONS.

⚠ATTENTION : N'utilisez que des batteries Makita d'origine. L'utilisation de batteries de marque autre que Makita ou de batteries modifiées peut provoquer l'explosion des batteries, ce qui présente un risque d'incendie, de dommages matériels et corporels. Cela annulera également la garantie Makita pour l'outil et le chargeur Makita.

Conseils pour assurer la durée de vie optimale de la batterie

1. **Chargez la batterie avant qu'elle ne soit complètement déchargée. Arrêtez toujours l'outil et rechargez la batterie quand vous remarquez que la puissance de l'outil diminue.**
2. **Ne rechargez jamais une batterie complètement chargée. La surcharge réduit la durée de service de la batterie.**

3. **Chargez la batterie à une température ambiante comprise entre 10 °C et 40 °C. Avant de charger une batterie chaude, laissez-la refroidir.**
4. **Lorsque vous n'utilisez pas la batterie, retirez-la de l'outil ou du chargeur.**
5. **Rechargez la batterie si elle est restée inutilisée pendant une période prolongée (plus de six mois).**

DESCRIPTION DU FONCTIONNEMENT

⚠ATTENTION : Assurez-vous toujours que l'outil est hors tension et que sa batterie est retirée avant de l'ajuster ou de vérifier son fonctionnement.

Insertion ou retrait de la batterie

⚠ATTENTION : Éteignez toujours l'outil avant de mettre en place ou de retirer la batterie.

⚠ATTENTION : Tenez fermement l'outil et la batterie lors de la mise en place ou du retrait de la batterie. Si vous ne tenez pas fermement l'outil et la batterie, ils peuvent vous glisser des mains, et s'abîmer ou vous blesser.

⚠ATTENTION : Veillez à ne pas vous pincer les doigts lors de l'ouverture ou de la fermeture du couvercle de la batterie.

Ouvrez le couvercle tout en poussant le levier de verrouillage.

► Fig.1: 1. Couvercle 2. Levier de verrouillage

Alignez la languette sur la batterie avec la rainure sur le compartiment et insérez-la. Insérez-la à fond jusqu'à ce qu'un léger déclin se fasse entendre. Si vous pouvez voir l'indicateur rouge comme illustré sur la figure, c'est qu'elle n'est pas bien verrouillée.

► Fig.2: 1. Indicateur rouge 2. Bouton 3. Batterie

Après avoir installé ou retiré les batteries, refermez bien le couvercle.

Pour retirer la batterie, ouvrez le couvercle, faites glisser la batterie hors de l'outil tout en appuyant sur le bouton à l'avant, puis refermez le couvercle.

⚠ATTENTION : Insérez toujours complètement la batterie jusqu'à ce que l'indicateur rouge ne soit plus visible. Sinon, elle pourrait tomber accidentellement de l'outil, au risque de vous blesser ou de blesser quelqu'un se trouvant près de vous.

⚠ATTENTION : N'insérez pas la batterie de force. Si elle ne glisse pas facilement, c'est que vous ne l'insérez pas correctement.

⚠ATTENTION : Veillez à verrouiller le couvercle avant toute utilisation.

Système de protection de l'outil/la batterie

L'outil est équipé d'un système de protection de l'outil/la batterie. Ce système coupe automatiquement l'alimentation vers le moteur pour prolonger la durée de vie de l'outil et de la batterie. L'outil s'arrêtera automatiquement avec une indication si l'outil ou la batterie se trouve dans l'une des situations suivantes :

► **Fig.3:** 1. Témoin

Protection contre la surcharge

Lorsque l'outil ou la batterie est utilisé d'une manière provoquant un appel de courant anormalement élevé, l'outil s'arrête automatiquement et l'indicateur rouge s'allume. Dans cette situation, éteignez l'outil et arrêtez la tâche ayant provoqué la surcharge de l'outil. Puis rallumez l'outil pour reprendre la tâche.

Protection contre la surchauffe

En cas de surchauffe de l'outil ou de la batterie, l'outil s'arrête automatiquement et l'indicateur rouge s'allume. Dans ce cas, laissez l'outil refroidir avant de le rallumer.

Protection contre la décharge totale de la batterie

Lorsque la charge restante de la batterie devient faible, l'indicateur rouge clignote. Lorsque la batterie est presque vide, l'outil s'arrête automatiquement et l'indicateur rouge s'allume. Dans ce cas, retirez la batterie de l'outil et chargez-la.

Protections contre d'autres causes

Le système de protection est également conçu pour d'autres causes qui pourraient endommager l'outil et lui permet de s'arrêter automatiquement. Suivez toutes les étapes ci-dessous pour éliminer les causes, lorsque l'outil a été arrêté provisoirement ou a cessé de fonctionner.

1. Éteignez l'outil, puis rallumez-le pour le redémarrer.
2. Chargez la ou les batteries ou remplacez-les par des batteries rechargées.
3. Laissez l'outil et la ou les batteries refroidir.

En l'absence d'amélioration après avoir rétabli le système de protection, contactez votre centre de service Makita local.

REMARQUE : Si l'outil s'arrête en raison d'une cause non décrite ci-dessus, reportez-vous à la section de dépannage.

Indication de la charge restante de la batterie

Uniquement pour les batteries avec voyant lumineuse

Appuyez sur le bouton de vérification sur la batterie pour indiquer la charge restante de la batterie. Les témoins s'allument pendant quelques secondes.

► **Fig.4:** 1. Témoins 2. Bouton de vérification

Témoins			Charge restante
Allumé	Éteint	Clignotant	
			75 % à 100 %
			50 % à 75 %
			25 % à 50 %
			0 % à 25 %
			Chargez la batterie.
			Anomalie possible de la batterie.

NOTE : Selon les conditions d'utilisation et la température ambiante, l'indication peut être légèrement différente de la capacité réelle.

NOTE : Le premier témoin (complètement à gauche) clignote pendant le fonctionnement du système de protection de la batterie.

Commutateur du mode de pression

Sélectionnez le mode de pression de votre choix en faisant glisser le levier du commutateur en avant et en arrière.

Tirez le levier vers l'arrière pour le mode basse pression de sorte que le symbole du numéro « 1 » apparaisse sur le commutateur.

Poussez le levier vers l'avant pour le mode haute pression de sorte que le symbole du numéro « 2 » apparaisse sur le commutateur.

► **Fig.5:** 1. Mode basse pression (1) 2. Mode haute pression (2) 3. Levier du commutateur du mode de pression

Gâchette

Le nettoyeur haute pression est équipé d'un verrouillage de sécurité sur la gâchette. Pour libérer le verrouillage de la gâchette, enfoncez le bouton de verrouillage sur la gâchette pour que la surface de la gâchette devienne plate.

Enclenchez la gâchette pour propulser un jet d'eau. Le jet continue tant que la gâchette est enfoncée.

► **Fig.6:** 1. Gâchette 2. Bouton de verrouillage

Appuyez de nouveau sur le bouton de verrouillage pour qu'il sorte de la gâchette pour engager le verrouillage de la gâchette.

Veillez à verrouiller la gâchette lorsque le nettoyeur haute pression n'est pas utilisé.

► **Fig.7:** 1. Gâchette 2. Bouton de verrouillage

Fonctions de la buse

La buse de pulvérisation à motif multiple (5-en-1) offre une plage de motifs de pulvérisation que vous pouvez

ajuster selon vos besoins de lavage. En combinant cinq des motifs de pulvérisation les plus utilisés dans une seule buse, il n'est plus nécessaire de passer de l'un à l'autre, il suffit de tourner le cadran sur le bon motif de pulvérisation pour votre tâche.

Changement simple de buses, 0°, 15°, 25°, 40° et douche

► Fig.8

- **Fig.9:** 1. Symbole du motif de pulvérisation
2. Repère triangulaire

Tournez la tête de la buse à gauche ou à droite sur la position du motif de pulvérisation souhaité. Alignez correctement le symbole du motif de pulvérisation que vous souhaitez avec le repère triangulaire de sorte que la tête de la buse se verrouille avec un déclic.

► Fig.10

REMARQUE : Prenez soin de ne pas régler la tête de la buse sur une position non cliquée. L'outil pourrait autrement créer des motifs de pulvérisation irréguliers, ce qui entraîne des fuites d'eau.

ATTENTION : Essayez de ne pas faire tourner le corps de la buse à mesure que vous changez de motifs de pulvérisation. La buse risquerait de se détacher du corps de l'outil et de vous blesser.

Soupape de sûreté

Cet outil est équipé d'une soupape de sûreté qui empêche une pression excessive.

ATTENTION : Ne modifiez ni n'ajustez le réglage de la soupape de sûreté.

ASSEMBLAGE

ATTENTION : Assurez-vous toujours que l'outil est hors tension et que sa batterie est retirée avant d'effectuer toute tâche dessus.

Installation de la buse et de la rallonge de lance

ATTENTION : Verrouillez toujours la gâchette pendant que vous fixez ou retirez une buse et un tuyau prolongateur.

Buse

Alignez les parties saillantes du guide sur l'extrémité de la buse avec les fentes de blocage dans le carter de l'outil. Enfoncez la buse à fond jusqu'à ce que les deux repères triangulaires sur la buse et le carter se fassent mutuellement face. Ensuite, tournez la buse dans le sens indiqué sur la figure pour engager le verrouillage. Après avoir installé la buse, essayez de la tirer vers l'arrière pour vous assurer qu'elle est bien maintenue en place.

- **Fig.11:** 1. Buse 2. Partie saillante du guide 3. Fente de blocage 4. Repères triangulaires

5. Contour ressemblant à une nageoire pelvienne

NOTE : Veillez à tourner le contour ressemblant à une nageoire pelvienne vers le bas.

Pour retirer la buse, poussez et maintenez la buse vers le carter de l'outil, puis tournez-la dans le sens inverse jusqu'à ce que les deux repères triangulaires se fassent mutuellement face. Séparez la buse de carter de l'outil après qu'elle s'est déverrouillée.

Rallonge de lance

Arrosage d'endroits difficiles d'accès. Installez la rallonge de lance entre le carter de l'outil et la buse en suivant les mêmes étapes que celles de l'installation de la buse.

- **Fig.12:** 1. Rallonge de lance 2. Carter de l'outil 3. Buse 4. Parties saillantes du guide 5. Fentes de blocage 6. Repères triangulaires

Pour retirer les accessoires, poussez et maintenez la pointe accessoire vers la fixation accessoire/le logement, puis tournez-la dans le sens inverse jusqu'à ce que les deux repères triangulaires se fassent mutuellement face. Écartez la pointe accessoire de la fixation accessoire/du logement après qu'elle s'est déverrouillée.

Connexion à l'alimentation en eau d'un réservoir

REMARQUE : Utilisez toujours le tuyau haute pression et la crépine fournis avec cet outil pour l'alimentation en eau.

REMARQUE : Maintenez toujours une hauteur de 2,0 m ou moins entre l'entrée du nettoyeur haute pression et la surface de l'eau. Autrement, le nettoyeur haute pression ne sera pas capable d'aspirer l'eau dans la pompe.

REMARQUE : Veillez à remplir un récipient d'eau de plus de 25 mm d'épaisseur à partir du bas et d'immerger complètement la crépine dans l'eau.

L'eau peut être alimentée depuis un réservoir/récipient/bac de n'importe quelle taille.

L'arrosage fourni via un réservoir répond à des situations de lavage à pression, par exemple le lavage d'une voiture, le jardinage, etc., où l'eau n'est pas disponible et doit être transportée jusqu'à l'endroit ou le site de lavage.

1. Fixez la crépine à l'une des extrémités du tuyau haute pression.

Insérez la sortie de la crépine dans le manchon de raccordement et enfoncez-la jusqu'à ce que la crépine soit maintenue en place.

- **Fig.13:** 1. Crépine 2. Manchon de raccordement 3. Tuyau haute pression

2. Laissez la crépine au bas du récipient d'eau.

- **Fig.14:** 1. Crépine 2. Tuyau haute pression 3. Crochet du tuyau

NOTE : Accrochez le tuyau le long de l'ouverture au moyen du crochet du tuyau fourni de sorte que la crépine reste au bas du récipient.

- Fixez l'autre extrémité du tuyau au raccord du tuyau d'eau sur le nettoyeur haute pression.

Placez le manchon de raccordement sur l'entrée du connecteur et enfoncez-le jusqu'à ce que le manchon de raccordement soit maintenu en place.

- **Fig.15:** 1. Manchon de raccordement 2. Raccord du tuyau d'eau

ATTENTION : Assurez-vous que le tuyau haute pression est solidement branché. Un branchement lâche peut projeter le tuyau haute pression et provoquer des blessures corporelles.

REMARQUE : Introduisez l'eau au préalable dans le nettoyeur haute pression et le tuyau quand vous devez amener l'eau depuis une certaine profondeur en mode haute pression.

Connexion au réseau de distribution d'eau

ATTENTION : Utilisez toujours le tuyau haute pression fourni avec cet outil pour l'alimentation en eau.

REMARQUE : Si vous raccordez le tuyau à l'arrivée d'eau potable, utilisez un disconnecteur hydraulique répondant aux réglementations de votre région.

REMARQUE : Maintenez une pression d'alimentation de l'eau entrée inférieure à 0,5 MPa pour une bonne alimentation. Ne dépassez pas la pression d'alimentation maximum sous peine de provoquer des fuites d'eau lorsque l'outil cesse de fonctionner.

L'eau peut être alimentée depuis le réseau de distribution disponible à l'endroit ou au site de lavage.

Une alimentation en eau continue vous permet de ne pas vous soucier de devoir vous réapprovisionner en eau et garantit un nettoyage et un jardinage efficaces de votre maison, comme le nettoyage des taches, le rinçage et l'arrosage de vastes étendues de pelouse ou de végétation.

1. Branchez le tuyau haute pression au robinet.

Appliquez un raccord adapté comme un joint de robinet d'eau pour fixer l'extrémité du tuyau au robinet.

- **Fig.16:** 1. Joint de robinet d'eau 2. Manchon de raccordement 3. Tuyau haute pression

NOTE : Le type de raccord dépend de la forme du robinet de raccordement. Préparez un raccord adapté en vente dans le commerce.

2. Fixez l'autre extrémité du tuyau au raccord du tuyau d'eau sur le nettoyeur haute pression.

Placez le manchon de raccordement sur l'entrée du connecteur et enfoncez-le jusqu'à ce que le manchon de raccordement soit maintenu en place.

- **Fig.17:** 1. Manchon de raccordement 2. Raccord du

Installation du canon à mousse

Accessoire en option

ATTENTION : Verrouillez toujours la gâchette pendant que vous fixez ou retirez les accessoires en option.

REMARQUE : Utilisez uniquement des détergents neutres. N'utilisez pas de détergents ménagers, de détergents acides ou alcalins, d'eau de javel, de solvants, de matériaux inflammables ou de solutions de qualité industrielle, qui pourraient endommager l'outil ou votre propriété. Préparez la solution de nettoyage comme indiqué sur sa bouteille et testez-la toujours au préalable dans un endroit peu visible.

REMARQUE : Si un détergent très visqueux est utilisé, la buse risque de se boucher. Lors de l'utilisation d'un détergent à haute viscosité, diluez-le en ajoutant de l'eau dans la bouteille avant utilisation.

NOTE : Lorsque vous utilisez le canon à mousse, le détergent dans la bouteille est dilué avec l'eau fournie par l'outil et pulvérisé. Il n'est pas nécessaire de diluer la concentration de détergent dans la bouteille plus que nécessaire. Ajustez la concentration de détergent tout en vérifiant les conditions d'utilisation.

NOTE : Si le canon à mousse est incliné sur le côté, le détergent peut se répandre.

Préparez un détergent avant d'utiliser le canon à mousse.

1. Remplissez le réservoir de détergent. Fixez la buse sur le réservoir et serrez solidement le couvercle.
2. Inclinez le canon à mousse pour aligner ses parties saillantes du guide sur les fentes de blocage dans le carter de l'outil. Enfoncez à fond la buse et maintenez-la en place. Ensuite, tournez le canon à mousse dans le sens indiqué sur la figure pour engager le verrouillage.

- **Fig.18:** 1. Canon à mousse 2. Réservoir 3. Partie saillante du guide 4. Fente de blocage

Après avoir installé la buse, essayez de la tirer vers l'arrière pour vous assurer qu'elle est bien maintenue en place.

3. Tournez le cadran de détergent pour ajuster le volume d'aspiration de la solution de détergent.

- **Fig.19:** 1. Cadran de détergent 2. Tourner vers le minimum 3. Tourner vers le maximum

Installation des buses en option

Accessoire en option

ATTENTION : Verrouillez toujours la gâchette pendant que vous fixez ou retirez les accessoires en option.

Alignez les parties saillantes du guide sur une buse en option avec les fentes de blocage dans le carter de l'outil. Enfoncez à fond la buse et maintenez-la en

place. Ensuite, tournez la buse dans le sens indiqué sur la figure pour engager le verrouillage.

Après avoir installé la buse, essayez de la tirer vers l'arrière pour vous assurer qu'elle est bien maintenue en place.

- **Fig.20:** 1. Buses 2. Partie saillante du guide
3. Fente de blocage

Pour retirer la buse, poussez et maintenez la buse vers le carter de l'outil, puis tournez-la dans le sens inverse pour libérer le verrouillage. Séparez la buse du nettoyeur haute pression après qu'elle s'est déverrouillée.

Installation d'un adaptateur pour bouteille en plastique

Accessoire en option

ATTENTION : Verrouillez toujours la gâchette pendant que vous fixez ou retirez les accessoires en option.

ATTENTION : Veillez à fixer solidement l'adaptateur pour bouteille en plastique sur le nettoyeur haute pression et la bouteille en plastique. Le non-respect de cette précaution pourrait provoquer la chute de la bouteille ce qui entraînerait des blessures corporelles.

NOTE : Certains types de bouteilles en plastique ne peuvent pas être fixés.

(Utilisez une bouteille en plastique dont le diamètre externe de la vis est de 28 mm (1-1/8").)

NOTE : L'utilisation d'une bouteille en plastique de 2 litres (demi-gallon) peut être préférée comme récipient d'eau.

1. Remplissez d'eau une bouteille en plastique.
2. Insérez le tube d'aspiration dans l'ouverture de la bouteille.
3. Fixez l'adaptateur à la bouteille en vissant l'écrou du manchon de raccordement.
4. Fixez l'adaptateur pour bouteille en plastique au raccord du tuyau d'eau sur le nettoyeur haute pression.

Placez le manchon de raccordement sur l'entrée du connecteur et enfoncez-le jusqu'à ce que le manchon de raccordement soit maintenu en place.

- **Fig.21:** 1. Adaptateur pour bouteille en plastique
2. Tube d'aspiration 3. Bouteille en plastique
4. Raccord du tuyau d'eau

UTILISATION

AVERTISSEMENT : Ne touchez pas le jet d'eau ni ne le dirigez vers vous-même ou d'autres personnes. Le jet d'eau est dangereux et peut vous blesser ainsi que d'autres personnes.

AVERTISSEMENT : Lorsque vous lancez le jet d'eau, ne tenez jamais l'objet que vous nettoyez ni ne placez vos mains et pieds près du jet d'eau.

ATTENTION : Ne faites pas fonctionner le nettoyeur haute pression sans eau pendant plus d'1 minute.

ATTENTION : Ne faites pas fonctionner le nettoyeur haute pression pendant une période prolongée. Cela présente un risque de surchauffe ou d'incendie. De plus, une utilisation prolongée peut provoquer des vibrations.

ATTENTION : Soyez attentif au sens du vent. Si le détergent pénètre dans vos yeux ou votre bouche, rincez-les immédiatement à l'eau claire et consultez un médecin si nécessaire.

REMARQUE : Pour protéger le mécanisme du nettoyeur haute pression, n'utilisez pas de l'eau plus chaude que 40 °C (104 °F).

REMARQUE : N'utilisez pas de l'eau non traitée, comme l'eau d'une rivière, d'un mare et de l'eau sablonneuse ou boueuse. Une eau insalubre non filtrée peut provoquer un dépôt de matière indésirable dans la pompe et entraîner un dysfonctionnement.

Hauteur d'élevation de l'eau

La hauteur verticale de la source d'eau jusqu'à l'entrée d'aspiration de l'eau du nettoyeur haute pression doit être inférieure à 2,0 m.

Profondeur de l'eau accumulée

Remplissez un récipient d'eau de plus de 25 mm d'épaisseur depuis le bas.

- **Fig.22:** 1. Hauteur d'élevation de l'eau
2. Profondeur de l'eau accumulée

Étapes du fonctionnement de base

1. Raccordez l'entrée du tuyau d'eau à l'alimentation en eau.

2. Raccordez la sortie du tuyau d'eau au nettoyeur haute pression.

► **Fig.23**

3. Si l'eau restant dans le nettoyeur haute pression a été vidée depuis la dernière utilisation, versez de l'eau dans le tuyau haute pression et le nettoyeur haute pression.

Laissez l'eau s'écouler à travers le tuyau et le nettoyeur jusqu'à ce que tout l'air qu'ils contiennent soit libéré.

(1) Retirez la buse du nettoyeur haute pression.

(2) Insérez la batterie dans le nettoyeur haute pression.

(3) Sélectionnez le mode haute pression.

(4) Déverrouillez la gâchette.

(5) Enclenchez et maintenez la gâchette jusqu'à ce que le nettoyeur haute pression génère un jet d'eau stable.

- **Fig.24:** 1. Levier du commutateur du mode de pression

Après avoir permis que l'air soit bloqué dans le nettoyeur haute pression et le tuyau, relâchez la gâchette.

Retirez la batterie du nettoyeur haute pression et fixez la buse convenant à votre utilisation.

4. Ouvrez le couvercle et mettez la batterie en place dans le nettoyeur haute pression, puis verrouillez le couvercle.

► **Fig.25:** 1. Batterie 2. Couvercle

⚠ATTENTION : Veillez à ne pas vous pincer les doigts lors de l'ouverture ou de la fermeture du couvercle de la batterie.

5. Sélectionnez le mode de pression de votre choix. Puis, déverrouillez la gâchette.

► **Fig.26:** 1. Levier du commutateur du mode de pression 2. Gâchette 3. Bouton de verrouillage

6. Dirigez la tête de la buse sur l'endroit ou le site d'arrosage. Enfoncez la gâchette.

Le jet d'eau continue tant que la gâchette est enfoncée.

► **Fig.27**

► **Fig.28**

⚠ATTENTION : Tenez fermement le nettoyeur haute pression. L'outil a un mouvement de recul lorsque vous enclenchez la gâchette.

⚠ATTENTION : Tenez toujours le nettoyeur haute pression par la poignée et le barillet lorsque vous projetez le jet d'eau.

Après l'utilisation

⚠ATTENTION : Après avoir utilisé le nettoyeur haute pression, procédez toujours comme décrit dans ce mode d'emploi. La pression résiduelle dans le nettoyeur haute pression peut provoquer des blessures corporelles ou endommager l'intérieur de la pompe.

1. Relâchez la gâchette et verrouillez-la au moyen du bouton de verrouillage.

2. Déconnectez le tuyau d'eau de l'alimentation en eau.

► **Fig.29**

3. Déverrouillez la gâchette et enfoncez-la jusqu'à ce que l'eau restant dans le nettoyeur haute pression et le tuyau soit évacuée.

► **Fig.30**

REMARQUE : Ne faites pas tourner le moteur pendant plus d'1 minute.

4. Relâchez la gâchette et verrouillez-la au moyen du bouton de verrouillage. Puis retirez la batterie du nettoyeur haute pression.

► **Fig.31:** 1. Bouton de verrouillage 2. Batterie

5. Retirez le tuyau haute pression du nettoyeur haute pression.

► **Fig.32:** 1. Manchon de raccordement 2. Raccord du tuyau d'eau

REMARQUE : Pour éviter d'abîmer le tuyau haute pression, retirez l'eau restant dans le tuyau avant de le ranger.

ENTRETIEN

⚠ATTENTION : Assurez-vous toujours que l'outil est hors tension et la batterie retirée avant d'effectuer tout travail d'inspection ou d'entretien.

REMARQUE : N'utilisez jamais d'essence, benzine, diluant, alcool ou autre produit similaire. Cela risquerait de provoquer la décoloration, la déformation ou la fissuration de l'outil.

Pour assurer la SÉCURITÉ et la FIABILITÉ du produit, toute réparation, tout travail d'entretien ou de réglage doivent être effectués par un centre d'entretien Makita agréé, avec des pièces de rechange Makita.

Nettoyage des buses

Utilisez l'épingle de nettoyage, une tige minuscule de type lime pour retirer la saleté qui bouche les ouvertures de la buse.

► **Fig.33:** 1. Épingle de nettoyage 2. Buse

NOTE : Pour maintenir une performance optimale, nettoyez régulièrement la buse.

REMARQUE : Ne retirez pas la saleté ou les débris avec force. Vous risqueriez de vous blesser ou d'endommager l'orifice d'éjection provoquant la déviation de l'angle du jet ou une médiocre performance.

Nettoyage des filtres

Retirez le raccord du tuyau d'eau du nettoyeur haute pression. Retirez la poussière ou la saleté qui colle au filtre.

► **Fig.34:** 1. Raccord du tuyau d'eau 2. Filtre 3. Bague d'étanchéité

Démontez la crépine en dévissant le boîtier de filtre. Retirez la poussière ou la saleté qui colle au filtre.

► **Fig.35:** 1. Filtre 2. Boîtier de filtre

NOTE : Pour maintenir une performance optimale, nettoyez régulièrement le filtre.

GUIDE DE DÉPANNAGE

Avant de faire une demande de réparation, effectuez d'abord vous-même une inspection. Si vous rencontrez un problème non documenté dans le mode d'emploi, n'essayez pas de démonter l'outil. Demandez plutôt à un centre de service après-vente Makita agréé d'effectuer la réparation au moyen de pièces de rechange Makita.

État d'anomalie	Cause probable (dysfonctionnement)	Solution
Le nettoyeur ne démarre pas.	Pas d'électricité	Installez une batterie chargée.
	La gâchette est verrouillée.	Déverrouillez la gâchette.
	Batterie ou circuit électrique endommagés	Contactez un centre de service après-vente agréé pour les réparations.
Pas de jet d'eau/jet d'eau faible	Pas d'alimentation en eau	Assurez-vous que le robinet est ouvert. En cas de connexion à l'alimentation en eau d'un réservoir, versez l'eau dans le nettoyeur haute pression et le tuyau.
	Faible alimentation en eau	Ouvrez le robinet.
	Mauvais raccordement du tuyau d'eau	Vérifiez le raccordement entre le nettoyeur haute pression et l'alimentation en eau.
	Tuyau d'eau déformé ou usé	Redressez le tuyau. Remplacez un tuyau d'eau endommagé par un neuf.
	Tuyau ou buse bouchés	Débouchez le tuyau ou la buse.
	Filtres bouchés	Retirez la poussière ou la saleté collées aux filtres dans la crépine et le raccord du tuyau d'eau.
	Eau usée/contaminée	Nettoyez le système d'eau et remplissez d'eau propre.
	Buse endommagée ou usée	Remplacez la buse.
	Dysfonctionnement de la pompe ou de la soupape	Contactez un centre de service après-vente agréé pour les réparations.
	Raccord d'eau desserré	Assurez la connexion entre le tuyau d'eau et les manchons de raccordement.
	Fuite du raccordement de l'alimentation en eau	Resserrez le raccordement entre le tuyau d'eau et l'alimentation en eau.
	Crépine mal installée	Immergez complètement la crépine dans l'eau.
	Mode basse pression utilisé	Sélectionnez le mode haute pression.
Jet d'eau instable	Buse bouchée	Débouchez l'orifice d'éjection de la buse avec l'épingle de nettoyage.
	Faible aspiration de l'eau	Vérifiez l'absence de fuite ou d'obstruction sur le tuyau d'eau.
	L'eau est trop chaude.	Fournissez de l'eau plus froide.
	Dysfonctionnement de la soupape	Contactez un centre de service après-vente agréé pour les réparations.
Bruit inhabituel	L'eau est trop chaude.	Fournissez de l'eau plus froide.
Fuite d'eau	Mauvais raccordement	Vérifiez le raccordement entre le nettoyeur haute pression et l'alimentation en eau.
	Mauvaise installation de la buse	Enfoncez la buse à fond. Puis tournez la buse jusqu'à ce qu'elle soit solidement verrouillée.
	La tête de la buse reste dans une position incorrecte	Réglez la tête de la buse sur une position cliquée avec un symbole de motif de pulvérisation clairement visible.
	Joint usés	Contactez un centre de service après-vente agréé pour les réparations.

ACCESSOIRES EN OPTION

⚠ ATTENTION : Ces accessoires ou pièces complémentaires sont recommandés pour l'utilisation avec l'outil Makita spécifié dans ce mode d'emploi. L'utilisation de tout autre accessoire ou pièce complémentaire peut comporter un risque de blessure. N'utilisez les accessoires ou pièces complémentaires qu'aux fins auxquelles ils ont été conçus.

contactez votre centre d'entretien local Makita.

NOTE : Il se peut que certains éléments de la liste soient compris dans l'emballage de l'outil en tant qu'accessoires standard. Ils peuvent varier d'un pays à l'autre.

Canon à mousse

► Fig.36

Le détergent peut être pulvérisé sous la forme de mousse.

Pour obtenir plus de détails sur ces accessoires,

Brosse de lavage

► Fig.37

Une buse pourvue d'une brosse. Pratique pour nettoyer la saleté tout en frottant avec la brosse.

Buse en angle

► Fig.38

La tête de la buse en angle peut tourner de 360°, permettant une manœuvrabilité et une couverture sans angle mort.

Adaptateur pour bouteille en plastique

► Fig.39

Pompez l'eau en bouteille et extrayez-la facilement d'une bouteille en plastique. Une bouteille d'eau peut faire office de source d'eau.

WARNUNG

- Das Gerät darf nicht von Kindern verwendet werden. Kinder sollten beaufsichtigt werden, um sicherzugehen, dass sie nicht mit dem Gerät spielen.
- Dieses Gerät ist nicht für den Gebrauch durch Personen (einschließlich Kindern) mit verminderten körperlichen, sensorischen oder geistigen Fähigkeiten oder mangelnder Erfahrung und Kenntnis vorgesehen, es sei denn, sie haben eine Betreuung oder Unterweisung im Gebrauch des Gerätes von einer Person erhalten, die für ihre Sicherheit verantwortlich ist.
- Druckwasser darf nicht auf Personen, stromführende Elektrogeräte oder das Gerät selbst gerichtet werden.
- Vergewissern Sie sich immer, dass das Gerät ausgeschaltet und der Akku entfernt ist, bevor Sie Arbeiten an diesem Werkzeug ausführen.
- Verwenden Sie das Gerät nicht, falls wichtige Teile des Geräts beschädigt sind, z. B. Sicherheitsvorrichtungen, Druckschläuche.
- Lesen Sie die Anweisungen im Abschnitt „Wartung“, um die entsprechenden Details zu den Vorsichtsmaßnahmen bei der Wartung durch den Benutzer zu erfahren.
- Erfahren Sie mehr über den normalen Temperaturbereich für das Aufladen von Akkus. Lesen Sie die Sicherheitsanweisungen für den Akku, um sich mit den Vorsichtsmaßnahmen bei der Handhabung von Batterien vertraut zu machen.
- Lesen Sie die Anweisungen im Abschnitt „Montage“, um die entsprechenden Details zu den Vorsichtsmaßnahmen bei der Installation des Geräts zu erfahren.
- Erfahren Sie mehr über den maximalen Einlass-Wasserdruck. Lesen Sie die Informationen im Abschnitt „Technische Daten“, um die entsprechenden Details zum Anschluss an das Wassernetz zu erfahren.
- Verwenden Sie immer die mit dem Gerät gelieferten Schlauchsätze. Lesen Sie die Anweisungen im Abschnitt „Montage“, um sich über die Vorsichtsmaßnahmen für den

Anschluss an das Wassernetz zu informieren.

- Die Wassereinfüllöffnung darf während der Benutzung nicht geöffnet werden. Befolgen Sie die Anweisungen im Abschnitt „Montage“, um den Wasserdruck aufrechtzuerhalten.
- Nicht in Schwimmbecken verwenden, die Wasser enthalten.
- Halten Sie die Anforderungen des örtlichen Wasserversorgers ein.
- Für europäische Länder:
Gemäß EN12729 (BA) kann das Gerät auch an die Trinkwasserversorgung angeschlossen werden, wenn in dem Zulaufschlauch ein Ventil mit Rückflussverhinderer und Ablaufvorrichtung installiert ist.

TECHNISCHE DATEN

Modell:		DHW180
Max. Durchflussmenge ^{*1} [Wasserversorgung aus dem Tank / Wasserversorgung aus dem Netz]		3,0 / 5,3 L/min
Wasserdurchfluss ^{*2}	Modus „Hoch“	2,5 L/min
	Modus „Niedrig“	1,5 L/min
Maximaler Betriebsdruck		2,4 MPa
Arbeitsdruck ^{*2}	Modus „Hoch“ [Wasserversorgung aus dem Tank / Wasserversorgung aus dem Netz]	2,0 / 2,2 MPa
	Modus „Niedrig“ [Wasserversorgung aus dem Tank / Wasserversorgung aus dem Netz]	0,8 / 0,8 MPa
Max. Förderdruck		0,5 MPa
Max. Fördertemperatur		40°C
Max. Saughöhe		2,0 m
Nennspannung		18 V Gleichstrom
Abmessungen ^{*3} [L x B x H]		888 mm x 99 mm x 239 mm
Gewicht		2,3 - 2,7kg

*1 : ohne Düse

*2 : Sprühmuster 15°

*3 : Mit 5in1-Düse und Verlängerungsrohr

- Wir behalten uns vor, Änderungen der technischen Daten im Zuge der Entwicklung und des technischen Fortschritts ohne vorherige Ankündigung vorzunehmen.
- Die technischen Daten können von Land zu Land unterschiedlich sein.
- Das Gewicht kann abhängig von dem Aufsatz (den Aufsätzen), einschließlich des Akkus, unterschiedlich sein. Die leichteste und die schwerste Kombination sind in der Tabelle angegeben.

Zutreffende Akkus und Ladegeräte

Akku	BL1815N / BL1820B / BL1830B / BL1840B / BL1850B / BL1860B
------	---

- Einige der oben aufgelisteten Akkus und Ladegeräte sind je nach Ihrem Wohngebiet eventuell nicht erhältlich.

⚠️ WARNUNG: Verwenden Sie nur die oben aufgeführten Akkus und Ladegeräte. Bei Verwendung irgendwelcher anderer Akkus und Ladegeräte besteht Verletzungs- und/oder Brandgefahr.

⚠️ WARNUNG: Verwenden Sie keine verkabelte Stromversorgung, wie z. B. einen Akku-Adapter oder eine rückentragbare Akku-Bank, mit dieser Maschine. Anderenfalls kann das Kabel einer solchen Stromversorgung den Betrieb behindern und Personenschäden verursachen.

Symbole

Nachfolgend werden Symbole beschrieben, die für das Gerät verwendet werden können. Machen Sie sich unbedingt vor der Benutzung mit ihrer Bedeutung vertraut.



Betriebsanleitung lesen.



Besondere Umsicht und Aufmerksamkeit erforderlich.



Nur für EU-Länder
Aufgrund des Vorhandenseins gefährlicher Komponenten in der Ausrüstung können Elektro- und Elektronik-Altgeräte, Akkumulatoren und Batterien sich negativ auf die Umwelt und die menschliche Gesundheit auswirken.
Entsorgen Sie Elektro- und Elektronikgeräte oder Batterien nicht mit dem Hausmüll!
In Übereinstimmung mit der Europäischen Richtlinie über Elektro- und Elektronik-Altgeräte, Akkumulatoren und Batterien, verbrauchte Akkumulatoren und Batterien sowie ihrer Anpassung an nationales Recht sollten Elektro-Altgeräte, Batterien und Akkumulatoren gemäß den Umweltschutzbestimmungen getrennt gelagert und zu einer getrennten Sammelstelle für Siedlungsabfälle geliefert werden.
Dies wird durch das am Gerät angebrachte Symbol der durchgestrichenen Abfalltonne auf Rädern angezeigt.



Nicht an einen Trinkwasserhahn anschließen.



Richten Sie den Strahl nicht auf Personen, einschließlich sich selbst, Tiere und Strom führende Elektrogeräte.

Vorgesehene Verwendung

Dieses Werkzeug ist für die Reinigung von Schmutz mittels Wasserstrahl zur Benutzung im Haushalt vorgesehen. Dieses Werkzeug bietet wählbare Sprühtypen und verbessert so die Reinigung sowie die Bewässerung von Rasen und Garten.

SICHERHEITSWARNUNGEN

WICHTIGE SICHERHEITSWARNUNGEN

⚠️ WARNUNG: Lesen Sie alle Sicherheitswarnungen und Anweisungen durch. Eine Missachtung der unten aufgeführten Warnungen und Anweisungen kann zu einem elektrischen Schlag, Brand und/oder schweren Verletzungen führen.

Bewahren Sie alle Warnungen und Anweisungen für spätere Bezugnahme auf.

WARNUNG - Bei der Verwendung dieses Produkts sind grundsätzliche Vorsichtsmaßnahmen, einschließlich der folgenden, stets zu beachten:

Sicherheit im Arbeitsbereich

1. Halten Sie den Arbeitsbereich völlig frei von Personen.
2. Übernehmen Sie sich nicht, und stellen Sie sich auch nicht auf instabile Stützen. Achten Sie stets auf sicheren Stand und gute Balance.
3. Stellen Sie das Hochdruckreiniger-Hauptgerät immer auf eine waagerechte und stabile Oberfläche. Vermeiden Sie Bereiche, wo das ausgestoßene Wasser fließen oder sich ansammeln kann.
4. Überprüfen Sie vor der Reinigung die Umgebung und die zu reinigenden Gegenstände. Hochdruckstrahlen können Lack oder andere Oberflächenbehandlungen, einschließlich giftiger Chemikalien, abschaben. Treffen Sie nötigenfalls Vorbeugungsmaßnahmen.
5. Achten Sie darauf, dass Sie nicht über den Schlauch des Hochdruckreinigers stolpern. Achten Sie während der Arbeit stets auf die Konfiguration des Schlauchs.
6. Während der Benutzung tritt eine kleine Menge Wasser aus dem Boden des Hochdruckreinigers aus. Achten Sie darauf, das Werkzeug nicht über den Bereichen zu betreiben, die nicht nass werden sollen.

Persönliche Sicherheit

1. Um sich selbst vor dem Strahl und

- weggeschleuderten Gegenständen zu schützen, sollten Bediener geeignete Kleidung, wie Sicherheitsstiefel, Schutzhandschuhe, Schutzhelm mit Visier, Gehörschutz usw. tragen.
2. **Tragen Sie persönliche Schutzausrüstung.** Verwenden Sie je nach Anwendung einen Gesichtsschutz, eine Sicherheitsbrille oder eine Schutzbrille als Augenschutz, um umherfliegende Fremdkörper, die bei verschiedenen Operationen entstehen, abzuwehren.
 3. **Benutzen Sie den Hochdruckreiniger nicht innerhalb des Bereichs von Personen, wenn sie keine Schutzkleidung tragen.**
 4. **Um die Verletzungsgefahr zu reduzieren, ist strenge Überwachung notwendig, wenn das Produkt in der Nähe von Kindern verwendet wird.**
 5. **Wird ein Anschluss an ein Trinkwassersystem vorgenommen, muss das System vor Rückfluss geschützt werden.**
 6. **Wasser, das durch den Rückflussverhinderer geflossen ist, wird als nicht trinkbar betrachtet.**

Elektrische Sicherheit

1. **Berühren Sie Akkus niemals mit nassen Händen.**
 2. **Verwenden Sie das Gerät nicht, falls wichtige Teile des Geräts, z. B. Sicherheitsvorrichtungen, Druckschläuche, beschädigt sind.**
 3. **Vermeiden Sie gefährliche Umgebungen. Benutzen Sie das Werkzeug nicht an feuchten oder nassen Orten, und setzen Sie es auch keinem Regen aus. Wasser, das in das Werkzeug eindringt, erhöht die Stromschlaggefahr.**
- #### Gebrauch und Pflege von Elektrowerkzeugen
1. **Lesen Sie alle Anweisungen vor Gebrauch des Produkts.**
 2. **Sie sollten wissen, wie Sie den Hochdruckreiniger anhalten und den Druck schnell ablassen können. Machen Sie sich mit den Bedienelementen gründlich vertraut.**
 3. **Versprühen Sie keine brennbaren und/oder giftigen Flüssigkeiten. Es könnte sonst zu einer Explosion, einer Vergiftung oder einer Beschädigung des Geräts kommen.**
 4. **Richten Sie den Strahl nicht auf sich selbst oder andere, um Kleidungsstücke oder Schuhwerk zu reinigen.**
 5. **Druckschläuche, Armaturen und Kupplungen sind wichtig für die Sicherheit des Geräts. Verwenden Sie nur vom Hersteller empfohlene Schläuche, Armaturen und Kupplungen.**
 6. **Befolgen Sie die Anweisungen beim Auswechseln von Zubehör.**
 7. **Halten Sie die Handgriffe trocken, sauber und frei von Öl oder Fett.**
 8. **Bleiben Sie wachsam - achten Sie auf Ihre Handlungen.**
 9. **Betreiben Sie das Produkt nicht, wenn Sie müde sind oder unter dem Einfluss von Alkohol oder Medikamenten stehen.**
10. **Lassen Sie den Hochdruckreiniger nicht länger als eine Minute ohne Wasser laufen. Anderenfalls wird der Motor beschädigt, was zu einer Funktionsstörung führt.**
 11. **Schalten Sie stets die Stromversorgung aus, und stellen Sie die Wasserversorgung ab, wenn Sie den Hochdruckreiniger unbeaufsichtigt lassen.**
 12. **Seien Sie vor Rückschlag auf der Hut. Das Gerät prallt zurück, wenn der Druckstrahl aus der Düse ausgestoßen wird. Halten Sie das Gerät fest, um versehentliche Verletzungen zu verhindern.**
 13. **Prüfen Sie vor Gebrauch nach, ob beschädigte oder verschlissene Teile vorhanden sind. Vergewissern Sie sich auch, dass der Schlauch ordnungsgemäß angeschlossen ist, und dass während des Betriebs keine Leckage auftritt. Der Betrieb des Geräts mit funktionalen Mängeln kann einen Unfall verursachen.**
 14. **Ziehen Sie nicht am Schlauch, um das Hochdruckreiniger-Hauptgerät zu bewegen. Dies verursacht eine Beschädigung von Schlauch und Verbindungsteilen und führt zu einem Kurzschluss oder funktionalen Defekten.**
 15. **Stellen Sie keine schweren Gegenstände auf den Schlauch, und lassen Sie auch keine Fahrzeuge darüber fahren.**
 16. **Lassen Sie immer den Restdruck im Gerät ab, bevor Sie den Schlauch trennen.**
 17. **Beachten Sie die Anweisungen Ihres lokalen Wasserversorgungsamts oder Wasserwerks, wenn Sie den Schlauch an die Hauptwasserleitung anschließen.**
 18. **Falls der Hochdruckreiniger fallen gelassen wird oder gegen ein hartes Objekt stößt, überprüfen Sie ihn unbedingt auf Beschädigungen und Risse. Wird der Hochdruckreiniger in beschädigtem Zustand benutzt, können Rauch und ein Brand erzeugt oder ein elektrischer Schlag verursacht werden, was zu Personenschäden führen kann.**
 19. **Verhüten Sie unbeabsichtigtes Einschalten. Vergewissern Sie sich, dass sich der Schalter in der Aus-Stellung befindet, bevor Sie den Akku anschließen bzw. das Gerät aufheben oder tragen. Das Tragen des Gerätes mit dem Finger am Schalter oder das Anschließen bei eingeschaltetem Schalter führt zu Unfällen.**
 20. **Trennen Sie den Akku vom Gerät, bevor Sie Einstellungen vornehmen, Zubehörteile austauschen oder das Gerät lagern. Solche vorbeugenden Sicherheitsmaßnahmen reduzieren die Gefahr eines versehentlichen Einschaltens des Gerätes.**
 21. **Unterlassen Sie jegliche Modifizierung oder Versuche, das Gerät oder den Akku zu reparieren, außer wie in den Anweisungen für Gebrauch und Pflege angegeben.**
 22. **WARNUNG - Injektions- oder Verletzungsgefahr - Den Reinigungsstrahl nicht auf Personen richten.**
 23. **Vergewissern Sie sich, dass ein zu reinigendes Objekt oder eine zu reinigende Fläche gegen**

Wasser beständig ist. Andernfalls kann es zu Schäden am Objekt oder am Standort kommen, die zu Personenschäden führen.

Gebrauch und Pflege von Akkuwerkzeugen

1. **Laden Sie den Akku nur mit dem vom Hersteller vorgeschriebenen Ladegerät.** Ein Ladegerät, das für einen Akkutyp geeignet ist, kann bei Verwendung mit einem anderen Akku eine Brandgefahr darstellen.
2. **Benutzen Sie Elektrowerkzeuge nur mit den ausdrücklich vorgeschriebenen Akkus.** Bei Verwendung irgendwelcher anderer Akkus besteht Verletzungs- und Brandgefahr.
3. **Bewahren Sie den Akku bei Nichtgebrauch nicht zusammen mit Metallgegenständen, wie Büroklammern, Münzen, Schlüsseln, Nägeln, Schrauben, und anderen kleinen Metallteilen auf, welche die Kontakte kurzschließen können.** Kurzschließen der Akkukontakte kann Verbrennungen oder einen Brand verursachen.
4. **Bei Missbrauch kann Flüssigkeit aus dem Akku austreten. Vermeiden Sie Kontakt mit dieser Flüssigkeit. Falls Sie versehentlich mit der Flüssigkeit in Berührung kommen, spülen Sie die betroffenen Stellen mit Wasser ab. Falls die Flüssigkeit in die Augen gelangt, suchen Sie zusätzlich ärztliche Hilfe auf.** Die vom Akku austretende Flüssigkeit kann Hautreizungen oder Verätzungen verursachen.
5. **Verwenden Sie keinen Akku und auch kein Werkzeug, der (das) beschädigt oder modifiziert ist.** Beschädigte oder modifizierte Akkus können unvorhersehbares Verhalten zeigen, das zu einem Brand, einer Explosion oder Verletzungsgefahr führen kann.
6. **Setzen Sie einen Akku oder ein Werkzeug nicht Feuer oder übermäßigen Temperaturen aus.** Bei Einwirkung von Feuer oder Temperaturen über 130 °C kann es zu einer Explosion kommen.
7. **Befolgen Sie alle Ladeanweisungen, und laden Sie den Akku bzw. das Werkzeug nicht außerhalb des in den Anweisungen angegebenen Temperaturbereichs.** Wird der Ladevorgang unsachgemäß oder bei Temperaturen außerhalb des angegebenen Bereichs durchgeführt, kann es zu einer Beschädigung des Akkus und erhöhter Brandgefahr kommen.

Wartung

1. **Befolgen Sie die in der Anleitung angegebenen Wartungsanweisungen.**
2. **Um die Sicherheit des Geräts zu gewährleisten, verwenden Sie nur Originalersatzteile vom Hersteller oder vom Hersteller zugelassene Teile.**
3. **Lassen Sie Ihren Hochdruckreiniger nur unter Verwendung identischer Ersatzteile von einem qualifizierten Wartungstechniker warten.** Dadurch wird die Aufrechterhaltung der Sicherheit des Hochdruckreinigers gewährleistet.
4. **Schalten Sie den Hochdruckreiniger im Falle einer Betriebsstörung oder Fehlfunktion sofort aus und entfernen Sie den (die) Akku(s). Wenden Sie sich an einen Händler oder ein Service-Center in Ihrer Nähe.**

Zusätzliche Sicherheitswarnungen

1. **Benutzen Sie das Werkzeug nicht, wenn Blitzgefahr besteht.**
2. **Wenn Sie das Werkzeug auf schlammigem Boden, auf einem nassen Hang oder an einem schlüpfrigen Ort benutzen, achten Sie auf Ihren Stand.**
3. **Vermeiden Sie Arbeiten in ungünstiger Umgebung, wo mit erhöhter Benutzerermüdung zu rechnen ist.**
4. **Tauschen Sie den Akku nicht im Regen aus.**
5. **Tauchen Sie das Werkzeug nicht in einen Tümpel ein.**
6. **Lagern Sie das Werkzeug nicht an einem Ort, der direktem Sonnenlicht und Regen ausgesetzt ist, sondern an einem Ort, an dem es nicht heiß oder feucht wird.**
7. **Nachdem Sie das Werkzeug benutzt haben, entfernen Sie den anhaftenden Schmutz, und lassen Sie das Werkzeug vor der Lagerung vollständig trocknen.** Je nach Jahreszeit oder Gebiet besteht die Gefahr einer Funktionsstörung durch Gefrieren.
8. **Vermeiden Sie Benetzen der Akkukontakte mit einer Flüssigkeit, wie z. B. Wasser, oder Untertauchen des Akkus. Lassen Sie den Akku nicht im Regen stehen, und unterlassen Sie Laden, Benutzen oder Lagern des Akkus an einem feuchten oder nassen Ort.** Falls die Kontakte nass werden, oder eine Flüssigkeit in den Akku eindringt, kann der Akku kurzgeschlossen werden, und es besteht Überhitzungs-, Brand- oder Explosionsgefahr.
9. **Nachdem Sie den Akku vom Werkzeug oder Ladegerät entfernt haben, bringen Sie unbedingt die Akkuabdeckung am Akku an, und lagern Sie ihn an einem trockenen Ort.**
10. **Tauschen Sie den Akku nicht mit nassen Händen aus.**
11. **Falls das Gerät aufgrund kalter Witterung eingefroren ist, wenden Sie sich für Reparaturen an ein autorisiertes Service-Center.**
12. **Verwenden Sie keine verkabelte Stromversorgung, wie z. B. einen Akku-Adapter oder eine rückentragbare Akku-Bank, mit diesem Gerät.** Andernfalls kann das Kabel einer solchen Stromversorgung den Betrieb behindern und Personenschäden verursachen.

DIESE ANWEISUNGEN AUFBEWAHREN.

⚠️ WARNUNG: Lassen Sie sich NICHT durch Bequemlichkeit oder Vertrautheit mit dem Produkt (durch wiederholten Gebrauch erworben) von der strikten Einhaltung der Sicherheitsregeln für das vorliegende Produkt abhalten.

MISSBRAUCH oder Missachtung der Sicherheitsvorschriften in dieser Anleitung können schwere Verletzungen verursachen.

Wichtige Sicherheitsanweisungen für Akku

1. **Lesen Sie vor der Benutzung des Akkus alle Anweisungen und Warnhinweise, die an (1) Ladegerät, (2) Akku und (3) Akkuwerkzeug angebracht sind.**
2. **Unterlassen Sie Zerlegen oder Manipulieren des Akkus.** Es kann sonst zu einem Brand, übermäßiger Hitzeentwicklung oder einer Explosion kommen.
3. **Falls die Betriebszeit beträchtlich kürzer geworden ist, stellen Sie den Betrieb sofort ein.** Anderenfalls besteht die Gefahr von Überhitzung, möglichen Verbrennungen und sogar einer Explosion.
4. **Falls Elektrolyt in Ihre Augen gelangt, waschen Sie sie mit sauberem Wasser aus, und begeben Sie sich unverzüglich in ärztliche Behandlung.** Anderenfalls können Sie Ihre Sehkraft verlieren.
5. **Der Akku darf nicht kurzgeschlossen werden:**
 - (1) **Die Kontakte dürfen nicht mit leitfähigem Material berührt werden.**
 - (2) **Lagern Sie den Akku nicht in einem Behälter zusammen mit anderen Metallgegenständen, wie z. B. Nägel, Münzen usw.**
 - (3) **Setzen Sie den Akku weder Wasser noch Regen aus.**

Ein Kurzschluss des Akkus verursacht starken Stromfluss, der Überhitzung, mögliche Verbrennungen und einen Defekt zur Folge haben kann.
6. **Lagern und benutzen Sie das Werkzeug und den Akku nicht an Orten, an denen die Temperatur 50 °C erreichen oder überschreiten kann.**
7. **Versuchen Sie niemals, den Akku zu verbrennen, selbst wenn er stark beschädigt oder vollkommen verbraucht ist.** Der Akku kann im Feuer explodieren.
8. **Unterlassen Sie Nageln, Schneiden, Zerquetschen, Werfen, Fallenlassen des Akkus oder Schlagen des Akkus mit einem harten Gegenstand.** Eine solche Handlung kann zu einem Brand, übermäßiger Hitzeentwicklung oder einer Explosion führen.
9. **Benutzen Sie keine beschädigten Akkus.**
10. **Die enthaltenen Lithium-Ionen-Akkus unterliegen den Anforderungen der Gefahrgut-Gesetzgebung.**

Für kommerzielle Transporte, z. B. durch Dritte oder Spediteure, müssen besondere Anforderungen zu Verpackung und Etikettierung beachtet werden.

Zur Vorbereitung des zu transportierenden Artikels ist eine Beratung durch einen Experten für Gefahrgut erforderlich. Bitte beachten Sie möglicherweise ausführlichere nationale Vorschriften. Überkleben oder verdecken Sie offene Kontakte, und verpacken Sie den Akku so, dass er sich in der Verpackung nicht umher bewegen kann.
11. **Entfernen Sie den Akku zum Entsorgen vom Werkzeug, und entsorgen Sie ihn an einem sicheren Ort.** Befolgen Sie die örtlichen Vorschriften bezüglich der Entsorgung von Akkus.
12. **Verwenden Sie die Akkus nur mit den von Makita angegebenen Produkten.** Das Einsetzen der Akkus in nicht konforme Produkte kann zu einem Brand, übermäßiger Hitzebildung, einer Explosion oder Auslaufen von Elektrolyt führen.
13. **Soll das Werkzeug längere Zeit nicht benutzt werden, muss der Akku vom Werkzeug entfernt werden.**
14. **Bei und nach dem Gebrauch kann der Akku heiß werden, was Verbrennungen oder Niedertemperaturverbrennungen verursachen kann.** Beachten Sie die Handhabung von heißen Akkus.
15. **Berühren Sie nicht den Anschlusskontakt des Werkzeugs unmittelbar nach dem Gebrauch, da er heiß genug werden kann, um Verbrennungen zu verursachen.**
16. **Achten Sie darauf, dass sich keine Späne, Staub oder Schmutz in den Anschlusskontakten, Löchern und Nuten des Akkus absetzen.** Es könnte sonst zu Erhitzung, Brandauslösung, Bersten und Funktionsstörungen des Werkzeugs oder des Akkus kommen, was zu Verbrennungen oder Personenschäden führen kann.
17. **Wenn das Werkzeug den Einsatz in der Nähe einer Hochspannungs-Stromleitung nicht unterstützt, benutzen Sie den Akku nicht in der Nähe einer Hochspannungs-Stromleitung.** Dies kann zu einer Funktionsstörung oder Betriebsstörung des Werkzeugs oder des Akkus führen.
18. **Halten Sie die Batterie von Kindern fern.**

DIESE ANWEISUNGEN AUFBEWAHREN.

⚠ VORSICHT: Verwenden Sie nur Original-Makita-Akkus. Die Verwendung von Nicht-Original-Makita-Akkus oder von Akkus, die abgeändert worden sind, kann zum Bersten des Akkus und daraus resultierenden Bränden, Personenschäden und Beschädigung führen. Außerdem wird dadurch die Makita-Garantie für das Makita-Werkzeug und -Ladegerät ungültig.

Hinweise zur Aufrechterhaltung der maximalen Akku-Nutzungsdauer

1. **Laden Sie den Akku, bevor er vollkommen erschöpft ist.** Schalten Sie das Werkzeug stets aus, und laden Sie den Akku, wenn Sie ein Nachlassen der Werkzeugleistung feststellen.
2. **Unterlassen Sie erneutes Laden eines voll aufgeladenen Akkus.** Überladen führt zu einer Verkürzung der Nutzungsdauer des Akkus.
3. **Laden Sie den Akku bei Raumtemperatur zwischen 10 – 40 °C.** Lassen Sie einen heißen Akku abkühlen, bevor Sie ihn laden.
4. **Wenn Sie den Akku nicht benutzen, nehmen**

- Sie ihn vom Werkzeug oder Ladegerät ab.
5. Der Akku muss geladen werden, wenn er lange Zeit (länger als sechs Monate) nicht benutzt wird.

FUNKTIONSBE-SCHREIBUNG

⚠ VORSICHT: Vergewissern Sie sich vor der Durchführung von Einstellungen oder Funktionsprüfungen des Werkzeugs stets, dass das Werkzeug ausgeschaltet und der Akku abgenommen ist.

Anbringen und Abnehmen des Akkus

⚠ VORSICHT: Schalten Sie das Werkzeug stets aus, bevor Sie den Akku anbringen oder abnehmen.

⚠ VORSICHT: Halten Sie das Werkzeug und den Akku beim Anbringen oder Abnehmen des Akkus sicher fest. Wenn Sie das Werkzeug und den Akku nicht sicher festhalten, können sie Ihnen aus der Hand rutschen, was zu einer Beschädigung des Werkzeugs und des Akkus und zu Körperverletzungen führen kann.

⚠ VORSICHT: Achten Sie beim Öffnen oder Schließen der Akkuabdeckung darauf, dass Sie sich nicht die Finger klemmen.

Öffnen Sie die Abdeckung, indem Sie den Sperrhebel drücken.

► **Abb.1:** 1. Abdeckung 2. Sperrhebel

Richten Sie die Führungsfeder des Akkus auf die Führungsnut im Gehäuse aus, und schieben Sie den Akku hinein. Schieben Sie ihn vollständig ein, bis er mit einem hörbaren Klicken einrastet. Wenn Sie die rote Anzeige sehen können, wie in der Abbildung gezeigt, ist der Akku nicht vollständig verriegelt.

► **Abb.2:** 1. Rote Anzeige 2. Knopf 3. Akku

Denken Sie unbedingt daran, die Abdeckung nach dem Einsetzen oder Abnehmen der Akkus zu schließen.

Um den Akku zu entfernen, öffnen Sie die Abdeckung, ziehen Sie den Akku vom Werkzeug ab, während Sie den Knopf auf der Vorderseite drücken, und schließen Sie dann die Abdeckung.

⚠ VORSICHT: Schieben Sie den Akku stets bis zum Anschlag ein, bis die rote Anzeige nicht mehr sichtbar ist. Anderenfalls kann er aus dem Werkzeug herausfallen und Sie oder umstehende Personen verletzen.

⚠ VORSICHT: Unterlassen Sie Gewaltanwendung beim Anbringen des Akkus. Falls der Akku nicht reibungslos hineingeleitet, ist er nicht richtig ausgerichtet.

⚠ VORSICHT: Verriegeln Sie unbedingt die Abdeckung vor dem Betrieb.

Werkzeug/Akku-Schutzsystem

Das Werkzeug ist mit einem Werkzeug/Akku-Schutzsystem ausgestattet. Dieses System schaltet die Stromversorgung des Motors automatisch ab, um die Lebensdauer von Werkzeug und Akku zu verlängern. Das Werkzeug hält automatisch mit Anzeige an, falls das Werkzeug oder der Akku einer der folgenden Bedingungen ausgesetzt ist:

► **Abb.3:** 1. Anzeige

Überlastschutz

Wird das Werkzeug oder der Akku auf eine Weise betrieben, die eine anormale Stromaufnahme verursacht, hält das Werkzeug automatisch an und die rote Anzeige leuchtet auf. Schalten Sie in dieser Situation das Werkzeug aus, und brechen Sie die Anwendung ab, die eine Überlastung des Werkzeugs verursacht hat. Schalten Sie dann das Werkzeug wieder ein, um es neu zu starten.

Überhitzungsschutz

Bei Überhitzung des Werkzeugs oder des Akkus hält das Werkzeug automatisch an und die rote Anzeige leuchtet auf. Lassen Sie das Werkzeug in dieser Situation abkühlen, bevor Sie es wieder einschalten.

Überentladungsschutz

Wenn die Akkukapazität zu gering wird, blinkt die rote Anzeige. Wenn der Akku fast leer ist, hält das Werkzeug automatisch an und die rote Anzeige leuchtet auf. Nehmen Sie in diesem Fall den Akku vom Werkzeug ab, und laden Sie ihn auf.

Schutz gegen andere Ursachen

Das Schutzsystem ist auch für andere Ursachen ausgelegt, die eine Beschädigung des Werkzeugs bewirken könnten, und ermöglicht automatisches Anhalten des Werkzeugs. Führen Sie alle folgenden Schritte aus, um die Ursachen zu beseitigen, wenn das Werkzeug zu einem vorübergehenden Stillstand oder Betriebsstopp gekommen ist.

1. Schalten Sie das Werkzeug aus und wieder ein, um es neu zu starten.
2. Laden Sie den/die Akku(s) auf, oder tauschen Sie ihn/sie gegen einen aufgeladenen Akku/aufgeladene Akkus aus.
3. Lassen Sie das Werkzeug und den/die Akku(s) abkühlen.

Falls die Wiederherstellung des Schutzsystems keine Besserung bringt, wenden Sie sich an Ihre lokale Makita-Kundendienststelle.

ANMERKUNG: Falls das Werkzeug wegen einer oben nicht beschriebenen Ursache stehen bleibt, nehmen Sie auf den Abschnitt zur Fehlersuche Bezug.









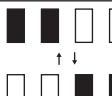
Anzeigen der Akku-Restkapazität

Nur für Akkus mit Anzeige

Drücken Sie die Prüftaste am Akku, um die Akku-Restkapazität anzuzeigen. Die Anzeigelampen leuchten

wenige Sekunden lang auf.

► **Abb.4:** 1. Anzeigelampen 2. Prüftaste

Anzeigelampen			Restkapazität
 Erleuchtet	 Aus	 Blinkend	
			75% bis 100%
			50% bis 75%
			25% bis 50%
			0% bis 25%
			Den Akku aufladen.
			Möglicherweise liegt eine Funktionsstörung im Akku vor.

HINWEIS: Abhängig von den Benutzungsbedingungen und der Umgebungstemperatur kann die Anzeige geringfügig von der tatsächlichen Kapazität abweichen.

HINWEIS: Die erste (äußerste linke) Anzeigelampe blinkt, wenn das Akku-Schutzsystem aktiv ist.

Druckmodusschalter

Wählen Sie den gewünschten Druckmodus, indem Sie den Schalthebel vorwärts und rückwärts schieben. Ziehen Sie den Hebel für den Niederdruckmodus nach hinten, so dass ein Zahlensymbol „1“ auf dem Schalter erscheint.

Schieben Sie den Hebel für den Hochdruckmodus nach vorne, so dass ein Zahlensymbol „2“ auf dem Schalter erscheint.

- **Abb.5:**
1. Niederdruckmodus (1)
 2. Hochdruckmodus (2)
 3. Druckmodus-Schalthebel

Auslöseschalter

Der Hochdruckreiniger verfügt über eine Sicherheitsverriegelung am Auslöser. Um die Auslösersperre zu lösen, drücken Sie den Sperrknopf in den Auslöser, so dass die Oberfläche des Auslösers flach wird.

Betätigen Sie den Auslöseschalter, um einen Wasserstrahl abzugeben. Der Strahl wird abgegeben, solange der Auslöser gedrückt gehalten wird.

► **Abb.6:** 1. Auslöseschalter 2. Sperrknopf

Drücken Sie den Sperrknopf, so dass er aus dem Auslöser herausragt, um die Auslösersperre zu aktivieren.

Verriegeln Sie den Auslöser unbedingt, wenn Sie den Hochdruckreiniger nicht benutzen.

► **Abb.7:** 1. Auslöseschalter 2. Sperrknopf

Düsenfunktionen

Die Multisprühdüse (5-in-1) verfügt über eine Reihe von Sprühmustern, die Sie je nach Waschbedarf einstellen können. Durch das Kombinieren von fünf der meistverwendeten Sprühmuster in einer Düse müssen Sie nicht mehr von einer Düse zu einer anderen wechseln, sondern wählen einfach das richtige Sprühmuster für Ihre Aufgabe aus.

Einfaches Umschalten der Düsen, 0°, 15°, 25°, 40° und Dusche

► **Abb.8**

► **Abb.9:** 1. Sprühmuster-Symbol 2. Dreieckszeichen

Drehen Sie den Düsenkopf nach links oder rechts in die gewünschte Position für das Sprühmuster. Richten Sie das zu wählende Sprühmuster-Symbol korrekt auf die Dreiecksmarkierung aus, damit der Düsenkopf mit einem Klick einrastet.

► **Abb.10**

ANMERKUNG: Achten Sie darauf, dass Sie den Düsenkopf nicht auf eine nicht eingerastete Position einstellen. Dieses Werkzeug kann andernfalls unregelmäßige Sprühmuster erzeugen, die zu Wasserlecks führen.

AVORSICHT: Achten Sie darauf, den Düsenkörper beim Ändern der Sprühmuster nicht mitzudrehen. Die Düse könnte sich sonst vom Werkzeugkörper lösen und Personenschäden verursachen.

Sicherheitsventil

Dieses Werkzeug ist mit einem Sicherheitsventil ausgestattet, das einen unzulässigen Überdruck verhindert.

AVORSICHT: Unterlassen Sie Manipulieren oder Verändern der Sicherheitsventil-Einstellung.

MONTAGE

AVORSICHT: Vergewissern Sie sich vor der Ausführung von Arbeiten am Werkzeug stets, dass das Werkzeug ausgeschaltet und der Akku abgenommen ist.

Installieren von Düse und Lanzenverlängerung

AVORSICHT: Verriegeln Sie immer den Auslöseschalter, wenn Sie eine Düse und eine Verlängerung anbringen/abnehmen.

Düse

Richten Sie die Führungsvorsprünge am Düsenende auf die Verriegelungsschlitze im Werkzeuggehäuse aus. Drücken Sie die Düse ganz hinein, bis die beiden Dreiecksmarkierungen an der Düse und am Gehäuse einander gegenüberstehen. Drehen Sie dann die

Düse in die in der Abbildung gezeigte Richtung, um die Verriegelung zu aktivieren.

Wenn Sie die Düse installiert haben, ziehen Sie sie zurück, um sicherzustellen, dass sie sicher platziert ist.

- **Abb.11:** 1. Düse 2. Führungsvorsprung
3. Verriegelungsschlitz
4. Dreiecksmarkierung
5. Bauchflossenähnlicher Umriss

HINWEIS: Vergewissern Sie sich, dass Sie einen bauchflossenähnlichen Umriss nach unten drehen.

Um die Düse zu lösen, drücken und halten Sie die Düse in Richtung des Werkzeuggehäuses und drehen Sie sie dann gegen den Uhrzeigersinn, bis die beiden Dreiecksmarkierungen aufeinander ausgerichtet sind. Ziehen Sie die Düse vom Werkzeuggehäuse ab, nachdem sie entriegelt worden ist.

Langenverlängerung

Bewässerung von schwer zugänglichen Stellen. Installieren Sie die Langenverlängerung zwischen Werkzeuggehäuse und Düse, indem Sie die gleichen Schritte befolgen, wie bei der Installation der Düse beschrieben.

- **Abb.12:** 1. Langenverlängerung
2. Werkzeuggehäuse 3. Düse
4. Führungsvorsprung
5. Verriegelungsschlitz
6. Dreiecksmarkierung

Um die Aufsätze zu lösen, drücken und halten Sie den Spitzenaufsatz in Richtung des Halterungsaufsatzes/Gehäuses und drehen Sie ihn dann gegen den Uhrzeigersinn, bis die beiden Dreiecksmarkierungen einander gegenüberstehen. Ziehen Sie den Spitzenaufsatz vom Halterungsaufsatz/Gehäuse ab, nachdem er entriegelt worden ist.

Anschließen an die Tankwasserversorgung

ANMERKUNG: Verwenden Sie für die Wasserzufuhr immer den Druckschlauch und das Sieb, die mit diesem Werkzeug geliefert werden.

ANMERKUNG: Halten Sie zwischen dem Einlass des Hochdruckreinigers und dem Wasserspiegel immer einen Abstand von 2,0 m oder weniger ein. Anderenfalls ist der Hochdruckreiniger nicht in der Lage, das Wasser in die Pumpe anzusaugen.

ANMERKUNG: Achten Sie darauf, einen Wasserbehälter bis zu einer Höhe von mindestens 25 mm über dem Boden zu füllen und das Sieb vollständig in Wasser zu tauchen.

Das Wasser kann aus einem Tank/Container/Behälter beliebiger Größe geliefert werden.

Eine Bewässerung mit Tankversorgung eignet sich für solche Druckwäschen, z. B. Autowäsche, Gartenarbeit usw., bei denen kein Wasser zur Verfügung steht und zum Waschplatz oder zur Arbeitsstelle transportiert werden muss.

1. Bringen Sie das Sieb an einem Ende des Druckschlauchs an.

Führen Sie den Siebauslass in die Kupplungsmuffe ein und drücken Sie ihn durch, bis das Sieb gesichert ist.

- **Abb.13:** 1. Sieb 2. Kupplungsmuffe
3. Druckschlauch

2. Lassen Sie das Sieb auf dem Boden des Wasserbehälters.

- **Abb.14:** 1. Sieb 2. Druckschlauch
3. Schlauchhaken

HINWEIS: Hängen Sie den Schlauch mit dem mitgelieferten Schlauchhaken entlang der Öffnung auf, so dass das Sieb ruhig auf dem Boden des Behälters sitzt.

3. Bringen Sie das andere Ende des Schlauchs am Wasserschlauchverbinder des Hochdruckreinigers an. Platzieren Sie die Kupplungsmuffe über den Einlass des Verbinders und drücken Sie sie durch, bis sie gesichert ist.

- **Abb.15:** 1. Kupplungsmuffe
2. Wasserschlauchverbinder

⚠VORSICHT: Vergewissern Sie sich, dass der Hochdruckschlauch sicher angeschlossen ist. Bei einer lockeren Verbindung kann der Hochdruckschlauch weggeschleudert werden, was zu einem Personenschaden führen kann.

ANMERKUNG: Füllen Sie Wasser in den Hochdruckreiniger und den Schlauch, wann immer Sie im Hochdruckmodus Wasser aus einer bestimmten Tiefe heben wollen.

Anschließen an die Wasserversorgung

⚠VORSICHT: Verwenden Sie für die Wasserzufuhr immer den mit diesem Werkzeug mitgelieferten Druckschlauch.

ANMERKUNG: Wenn Sie das Gerät an die Trinkwasserversorgung anschließen, verwenden Sie ein Rückflussverhinderungsventil, das die Vorschriften in Ihrer Region erfüllt.

ANMERKUNG: Halten Sie den Förderdruck des Wassers im Einlass unter 0,5 MPa für die Feindosierung. Überschreiten Sie nicht den maximalen Förderdruck, da dies Wasserlecks verursachen kann, wenn das Werkzeug anhält.

Die Wasserversorgung kann über das am Waschplatz oder auf dem Gelände vorhandene Leitungswasser erfolgen.

Dank der kontinuierlichen Wasserversorgung brauchen Sie das Nachfüllen von Wasser nicht zu beachten und können Ihre Hausreinigung und Gartenarbeit effizient durchführen, z. B. Fleckenreinigung, Spülung und Bewässerung der großen Rasenfläche oder der Vegetation.

1. Schließen Sie den Druckschlauch an den Wasserhahn an.

Wenden Sie ein geeignetes Anschlussstück an, z. B. eine Wasserhahnkupplung, um das Schlauchende am Wasserhahn zu sichern.

- **Abb.16:** 1. Wasserhahnkupplung
2. Kupplungsmuffe 3. Druckschlauch

HINWEIS: Die Art des Anschlussstücks hängt von der Form des Wasserhahns ab, an den Sie anschließen. Bereiten Sie ein geeignetes, im Handel erhältliches Anschlussstück vor.

2. Bringen Sie das andere Ende des Schlauchs am Wasserschlauchverbinder des Hochdruckreinigers an.

Platzieren Sie die Kupplungsmuffe über den Einlass des Verbinders und drücken Sie sie durch, bis sie gesichert ist.

- **Abb.17:** 1. Kupplungsmuffe
2. Wasserschlauchverbinder

Installieren der Schaumdüse

Sonderzubehör

⚠ VORSICHT: Verriegeln Sie immer den Auslöseschalter, wenn Sie optionale Aufsätze anbringen/abnehmen.

ANMERKUNG: Verwenden Sie nur neutrale Reinigungsmittel. Verwenden Sie keine haushaltsüblichen Reinigungsmittel, säurehaltigen oder alkalischen Reinigungsmittel, Bleichmittel, Lösungsmittel, entflammables Material oder Lösungen industrieller Qualität, die das Werkzeug oder Ihr Eigentum beschädigen könnten. Bereiten Sie die Reinigungslösung gemäß den Anweisungen auf der Flasche zu und testen Sie sie vorher immer an einer unauffälligen Stelle.

ANMERKUNG: Falls ein hochviskoses Reinigungsmittel verwendet wird, besteht die Gefahr, dass die Düse verstopft. Wenn Sie ein hochviskoses Reinigungsmittel verwenden, verdünnen Sie es vor der Benutzung, indem Sie Wasser in die Flasche geben.

HINWEIS: Bei der Benutzung der Schaumdüse wird das Reinigungsmittel in der Flasche mit dem vom Werkzeug gelieferten Wasser verdünnt und versprüht. Sie brauchen die Konzentration des Reinigungsmittels in der Flasche nicht mehr als nötig zu verdünnen. Passen Sie die Konzentration des Reinigungsmittels an und überprüfen Sie die Nutzungsbedingungen.

HINWEIS: Falls die Schaumdüse auf die Seite gekippt wird, kann das Reinigungsmittel verschüttet werden.

Bereiten Sie ein Reinigungsmittel vor, bevor Sie die Schaumdüse verwenden.

1. Füllen Sie den Tank mit Reinigungsmittel. Bringen Sie die Düse am Tank an und ziehen Sie den Deckel sicher an.
2. Neigen Sie die Schaumdüse, um ihre Führungsvorsprünge auf die Verriegelungsschlitze im Werkzeuggehäuse auszurichten. Drücken Sie die Düse bis zum Anschlag hinein und halten Sie sie in dieser Position. Drehen Sie dann die Schaumdüse in die in der Abbildung gezeigte Richtung, um die Verriegelung zu aktivieren.

- **Abb.18:** 1. Schaumdüse 2. Tank
3. Führungsvorsprung
4. Verriegelungsschlitz

Wenn Sie die Düse installiert haben, ziehen Sie sie zurück, um sicherzustellen, dass sie sicher platziert ist.

3. Drehen Sie das Reinigungsmittel-Einstellrad, um die Ansaugmenge der Reinigungslösung einzustellen.
► **Abb.19:** 1. Reinigungsmittel-Einstellrad 2. Drehen auf Minimum 3. Drehen auf Maximum

Installieren von optionalen Düsen

Sonderzubehör

⚠ VORSICHT: Verriegeln Sie immer den Auslöseschalter, wenn Sie optionale Aufsätze anbringen/abnehmen.

Richten Sie die Führungsvorsprünge an einer optionalen Düse auf die Verriegelungsschlitze im Werkzeuggehäuse aus. Drücken Sie die Düse bis zum Anschlag hinein und halten Sie sie in dieser Position. Drehen Sie dann die Düse in die in der Abbildung gezeigte Richtung, um die Verriegelung zu aktivieren. Wenn Sie die Düse installiert haben, ziehen Sie sie zurück, um sicherzustellen, dass sie sicher platziert ist.

- **Abb.20:** 1. Düsen 2. Führungsvorsprung
3. Verriegelungsschlitz

Um die Düse zu lösen, drücken und halten Sie die Düse in Richtung des Werkzeuggehäuses und drehen Sie sie dann gegen den Uhrzeigersinn, um sie zu entriegeln. Ziehen Sie die Düse vom Hochdruckreiniger ab, nachdem sie entriegelt worden ist.

Installieren des Plastikflaschenadapters

Sonderzubehör

⚠ VORSICHT: Verriegeln Sie immer den Auslöseschalter, wenn Sie optionale Aufsätze anbringen/abnehmen.

⚠ VORSICHT: Achten Sie darauf, den Plastikflaschenadapter sicher am Hochdruckreiniger und an der Plastikflasche anzubringen. Anderenfalls kann die Flasche herunterfallen, was zu Personenschäden führen kann.

HINWEIS: Einige Arten von Plastikflaschen lassen sich nicht anbringen.

(Benutzen Sie die Plastikflasche mit einem Schraubenaußendurchmesser von 28 mm (1-1/8").)

HINWEIS: Die Verwendung einer 2-Liter-(Halbgallonen)-Plastikflasche kann für die Aufnahme von Wasser bevorzugt werden.

1. Füllen Sie Wasser in eine Plastikflasche.
2. Werfen Sie das Saugrohr durch die Flaschenöffnung nach unten.
3. Bringen Sie den Adapter an der Flasche an, indem Sie die Mutter der Kupplungsmuffe einschrauben.
4. Bringen Sie den Plastikflaschenadapter am Wasserschlauchverbinder des Hochdruckreinigers an.

Platzieren Sie die Kupplungsmuffe über den Einlass des Verbinders und drücken Sie sie durch, bis sie gesichert ist.

- **Abb.21:** 1. Plastikflaschenadapter

2. Saugrohr 3. Plastikflasche
4. Wasserschlauchverbinder

BETRIEB

⚠️ WARNUNG: Berühren Sie den Wasserstrahl nicht, und richten Sie ihn auch nicht auf sich selbst oder andere. Der Wasserstrahl ist gefährlich und kann Sie oder andere verletzen.

⚠️ WARNUNG: Wenn Sie den Wasserstrahl abgeben, halten Sie den zu reinigenden Gegenstand niemals mit der Hand, und bringen Sie auch nicht Ihre Hände und Füße in die Nähe des Wasserstrahls.

⚠️ VORSICHT: Lassen Sie den Hochdruckreiniger nicht länger als 1 Minute ohne Wasser laufen.

⚠️ VORSICHT: Betreiben Sie den Hochdruckreiniger nicht über einen längeren Zeitraum hinweg. Dies kann zu Überhitzung oder einem Brand führen. Außerdem kann langfristige Benutzung Gefährdung durch Vibrationen mit sich bringen.

⚠️ VORSICHT: Achten Sie auf die Windrichtung. Falls das Reinigungsmittel in Ihre Augen oder Ihren Mund gelangt, spülen Sie die betroffenen Stellen sofort mit Frischwasser ab, und suchen Sie nötigenfalls ärztliche Behandlung auf.

ANMERKUNG: Um den Mechanismus des Hochdruckreinigers zu schützen, darf kein Wasser verwendet werden, das heißer ist als 40°C (104°F).

ANMERKUNG: Verwenden Sie kein unbehandeltes Wasser, wie Flusswasser, Teichwasser, sandiges oder schlammiges Wasser. Ungefiltertes schmutziges Wasser kann Ablagerungen von unerwünschten Stoffen in der Pumpe verursachen, die zu Fehlfunktionen führen.

Höhe der Wasserhebung

Die vertikale Höhe von der Wasserquelle bis zum Saugeinlass des Hochdruckreinigers muss innerhalb von 2,0 m liegen.

Tiefe des gefüllten Wassers

Füllen Sie einen Wasserbehälter bis zu einer Höhe von mindestens 25 mm über dem Boden.

► **Abb.22:** 1. Höhe der Wasserhebung 2. Tiefe des gefüllten Wassers

Schritte des grundlegenden Betriebs

1. Schließen Sie den Wasserschlauch-Einlass an die Wasserversorgung an.

2. Verbinden Sie den Wasserschlauch-Auslass mit dem Hochdruckreiniger.

► **Abb.23**

3. Falls das restliche Wasser im Hochdruckreiniger seit der letzten Benutzung abgeflossen ist, leiten Sie Wasser in den Druckschlauch und den Hochdruckreiniger.

Lassen Sie Wasser durch den Schlauch und den Hochdruckreiniger laufen, bis die Luft darin entwichen ist.

- (1) Entfernen Sie die Düse vom Hochdruckreiniger.
 - (2) Setzen Sie den Akku in den Hochdruckreiniger ein.
 - (3) Wählen Sie den Hochdruckmodus.
 - (4) Entriegeln Sie den Auslöseschalter.
 - (5) Halten Sie den Auslöseschalter so lange gedrückt, bis der Hochdruckreiniger einen stabilen Wasserstrahl erzeugt.
- **Abb.24:** 1. Druckmodus-Schalthebel

Nachdem Sie die Luft aus dem Hochdruckreiniger und dem Schlauch abgelassen haben, lassen Sie den Auslöseschalter los.

Entfernen Sie den Akku aus dem Hochdruckreiniger, und bringen Sie die für Ihren Zweck geeignete Düse an.

4. Öffnen Sie die Abdeckung, installieren Sie den Akku in den Hochdruckreiniger, und verriegeln Sie dann die Abdeckung.

► **Abb.25:** 1. Akku 2. Abdeckung

⚠️ VORSICHT: Achten Sie beim Öffnen oder Schließen der Akkuabdeckung darauf, dass Sie sich nicht die Finger klemmen.

5. Wählen Sie den gewünschten Druckmodus. Entriegeln Sie dann den Auslöseschalter.

► **Abb.26:** 1. Druckmodus-Schalthebel
2. Auslöseschalter 3. Sperrknopf

6. Richten Sie den Düsenkopf auf die Bewässerungsfläche oder das Gelände. Drücken Sie den Auslöseschalter.

Der Wasserstrahl wird so lange abgegeben, wie der Auslöser gedrückt wird.

► **Abb.27**

► **Abb.28**

⚠️ VORSICHT: Halten Sie den Hochdruckreiniger fest. Das Werkzeug prallt zurück, wenn Sie den Auslöseschalter betätigen.

⚠️ VORSICHT: Halten Sie den Hochdruckreiniger beim Ausstoßen des Wasserstrahls immer am Griff und am Zylinder fest.

Nach der Benutzung

⚠️ VORSICHT: Führen Sie nach dem Betrieb des Hochdruckreinigers immer das in dieser Anleitung beschriebene Verfahren durch. Restdruck im Hochdruckreiniger kann Personenschäden oder Schäden an der Pumpe im Inneren verursachen.

1. Lassen Sie den Auslöseschalter los, und verriegeln Sie ihn mit dem Sperrknopf.
2. Trennen Sie den Wasserschlauch von der Wasserversorgung.
► **Abb.29**
3. Entriegeln Sie den Auslöseschalter und

drücken Sie ihn so lange, bis das restliche Wasser im Hochdruckreiniger und im Schlauch abgelassen ist.

► **Abb.30**

ANMERKUNG: Lassen Sie den Motor nicht länger als 1 Minute laufen.

4. Lassen Sie den Auslöseschalter los, und verriegeln Sie ihn mit dem Sperrknopf. Entfernen Sie dann den Akku vom Hochdruckreiniger.

► **Abb.31:** 1. Sperrknopf 2. Akku

5. Trennen Sie den Druckschlauch vom Hochdruckreiniger.

► **Abb.32:** 1. Kupplungsmuffe
2. Wasserschlauchverbinder

ANMERKUNG: Um eine Beschädigung des Druckschlauchs zu verhindern, entfernen Sie vor der Lagerung das restliche Wasser aus dem Schlauch.

WARTUNG

⚠ VORSICHT: Vergewissern Sie sich vor der Durchführung von Inspektions- oder Wartungsarbeiten stets, dass das Werkzeug ausgeschaltet und der Akku abgenommen ist.

ANMERKUNG: Verwenden Sie auf keinen Fall Benzin, Waschbenzin, Verdünnern, Alkohol oder dergleichen. Solche Mittel können Verfärbung, Verformung oder Rissbildung verursachen.

Um die SICHERHEIT und ZUVERLÄSSIGKEIT dieses

Produkts zu gewährleisten, sollten Reparaturen und andere Wartungs- oder Einstellarbeiten nur von Makita-Vertragswerkstätten oder Makita-Kundendienstzentren unter ausschließlicher Verwendung von Makita-Originalersatzteilen ausgeführt werden.

Reinigen der Düsen

Verwenden Sie den Reinigungsstift, einen kleinen feilenartigen Finger, um festsitzenden Schmutz aus den Düsenöffnungen zu entfernen.

► **Abb.33:** 1. Reinigungsstift 2. Düse

HINWEIS: Um die optimale Leistung aufrechtzuerhalten, reinigen Sie die Düse regelmäßig.

ANMERKUNG: Entfernen Sie Schmutz oder Unrat nicht gewaltsam. Dies kann zu Personenschäden oder Beschädigung der Austrittsöffnung führen, wodurch abgewichene Strahlwinkel oder schlechte Leistung verursacht werden können.

Reinigen der Filter

Lösen Sie den Wasserschlauchverbinder vom Hochdruckreiniger. Entfernen Sie am Filter haftenden Staub oder Schmutz.

► **Abb.34:** 1. Wasserschlauchverbinder 2. Filter
3. Dichtungsring

Demontieren Sie das Sieb, indem Sie das Filtergehäuse abschrauben. Entfernen Sie am Filter haftenden Staub oder Schmutz.

► **Abb.35:** 1. Filter 2. Filtergehäuse

HINWEIS: Um die optimale Leistung aufrechtzuerhalten, reinigen Sie den Filter regelmäßig.

FEHLERSUCHE

Bevor Sie den Reparaturdienst anrufen, führen Sie zunächst Ihre eigene Inspektion durch. Falls Sie ein Problem finden, das nicht in der Anleitung erläutert wird, versuchen Sie nicht, das Werkzeug zu zerlegen. Wenden Sie sich stattdessen an autorisierte Makita-Kundendienstzentren, und achten Sie darauf, dass stets Makita-Ersatzteile für Reparaturen verwendet werden.

Zustand der Unregelmäßigkeit	Wahrscheinliche Ursache (Funktionsstörung)	Abhilfemaßnahme
Der Reiniger startet nicht.	Kein Strom	Setzen Sie einen geladenen Akku ein.
	Der Auslöseschalter ist verriegelt.	Entriegeln Sie den Auslöseschalter.
	Akku oder Stromkreis beschädigt	Wenden Sie sich bezüglich einer Reparatur an ein autorisiertes Service-Center.

Zustand der Unregelmäßigkeit	Wahrscheinliche Ursache (Funktionsstörung)	Abhilfemaßnahme
Kein Wasserstrahl / schwacher Wasserstrahl	Keine Wasserversorgung	Stellen Sie sicher, dass der Wasserhahn offen ist. Falls Sie an die Tankwasserversorgung anschließen, leiten Sie Wasser in den Hochdruckreiniger und den Schlauch.
	Schlechte Wasserversorgung	Drehen Sie den Wasserhahn auf.
	Schlechter Wasserschlauchanschluss	Überprüfen Sie die Verbindung zwischen dem Hochdruckreiniger und der Wasserversorgung.
	Verformter oder verschlissener Wasserschlauch	Richten Sie den Schlauch gerade. Ersetzen Sie den beschädigten Wasserschlauch durch einen neuen.
	Schlauch oder Düse verstopft	Beseitigen Sie Verstopfungen im Schlauch oder in der Düse.
	Verstopfte Filter	Entfernen Sie Staub oder Schmutz, der an den Filtern im Sieb und dem Wasserschlauchverbinder haftet.
	Abfall-/Schmutzwasser	Reinigen Sie das Wassersystem und füllen Sie es mit sauberem Wasser auf.
	Düse beschädigt oder verschlissen	Ersetzen Sie die Düse.
	Funktionsstörung von Pumpe oder Ventil	Wenden Sie sich bezüglich einer Reparatur an ein autorisiertes Service-Center.
	Lose Wasserverbindung	Sichern Sie die Verbindung zwischen Wasserschlauch und Kupplungsmuffen.
	Leckagen an der Verbindung zur Wasserversorgung	Ziehen Sie die Verbindung zwischen dem Wasserschlauch und der Wasserversorgung wieder an.
	Unzureichend installiertes Sieb	Tauchen Sie das Sieb vollständig in das Wasser ein.
Niederdruckmodus wird verwendet	Wählen Sie den Hochdruckmodus.	
Instabiler Wasserstrahl	Düse verstopft	Beseitigen Sie die Verstopfung der Austrittsöffnung der Düse mit dem Reinigungsstift.
	Schlechte Wasseransaugung	Überprüfen Sie den Wasserschlauch auf Undichtigkeiten oder Verstopfungen.
	Das Wasser ist zu heiß.	Führen Sie kühleres Wasser zu.
	Funktionsstörung des Ventils	Wenden Sie sich bezüglich einer Reparatur an ein autorisiertes Service-Center.
Anormales Geräusch	Das Wasser ist zu heiß.	Führen Sie kühleres Wasser zu.
Wasserleckage	Schlechte Verbindung	Überprüfen Sie die Verbindung zwischen dem Hochdruckreiniger und der Wasserversorgung.
	Schlechte Installation der Düse	Drücken Sie die Düse bis zum Anschlag hinein. Drehen Sie dann die Düse, bis sie sicher verriegelt ist.
	Der Düsenkopf bleibt in einer falschen Position	Stellen Sie den Düsenkopf in eine Rastposition, in der das Symbol für das Sprühmuster gut sichtbar ist.
	Verschlissene Dichtungen	Wenden Sie sich bezüglich einer Reparatur an ein autorisiertes Service-Center.

SONDERZUBEHÖR

⚠ VORSICHT: Die folgenden Zubehörteile oder Vorrichtungen werden für den Einsatz mit dem in dieser Anleitung beschriebenen Makita-Werkzeug empfohlen. Die Verwendung anderer Zubehörteile oder Vorrichtungen kann eine Verletzungsgefahr darstellen. Verwenden Sie Zubehörteile oder Vorrichtungen nur für ihren vorgesehenen Zweck.

Wenn Sie weitere Einzelheiten bezüglich dieser Zubehörteile benötigen, wenden Sie sich bitte an Ihre Makita-Kundendienststelle.

HINWEIS: Manche Teile in der Liste können als Standardzubehör im Werkzeugsatz enthalten sein. Sie können von Land zu Land unterschiedlich sein.

Schaumdüse

► Abb.36

Reinigungsmittel kann als Schaum versprüht werden.

Waschbürste

► Abb.37

Eine mit einer Bürste ausgestattete Düse. Praktisch zum Auswaschen von Schmutz bei gleichzeitigem Schrubben mit der Bürste.

Winkeldüse

► Abb.38

Der abgewinkelte Düsenkopf kann um 360 Grad gedreht werden und ermöglicht so Manövrierbarkeit und Abdeckung ohne toten Winkel.

Plastikflaschenadapter

► Abb.39

Abgefülltes Wasser wird abgepumpt und lässt sich einfach aus einer Plastikflasche entnehmen. Eine Wasserflasche kann als Wasserquelle dienen.

AVVERTENZA

- L'elettrodomestico non deve essere utilizzato dai bambini. I bambini vanno tenuti sotto controllo per assicurare che non giochino con l'elettrodomestico.
- Questo elettrodomestico non è destinato all'utilizzo da parte di persone (inclusi i bambini) con capacità fisiche, sensoriali o mentali ridotte, o con carenza di esperienza e preparazione, a meno che siano state fornite loro supervisione o istruzioni relative all'utilizzo dell'elettrodomestico da una persona responsabile per la loro sicurezza.
- L'acqua sotto pressione non deve essere rivolta verso persone, apparecchi elettrici sotto tensione o l'elettrodomestico stesso.
- Prima di effettuare qualsiasi operazione sull'elettrodomestico, accertarsi sempre che l'elettrodomestico sia spento e che la cartuccia della batteria sia stata rimossa.
- Non utilizzare l'elettrodomestico qualora parti importanti di quest'ultimo siano danneggiate, ad esempio dispositivi di sicurezza o tubi flessibili a pressione.
- Per i dettagli appropriati relativi alle precauzioni durante la manutenzione da parte dell'utente, leggere le istruzioni nella sezione relativa alla manutenzione.
- Apprendere qual è l'intervallo di temperatura normale per la carica della batteria. Leggere le istruzioni per la sicurezza relative alla cartuccia della batteria per apprendere le precauzioni relative alla gestione delle batterie.
- Per i dettagli appropriati relativi alle precauzioni durante l'installazione dell'elettrodomestico, leggere le istruzioni nella sezione relativa all'assemblaggio.
- Apprendere la pressione massima dell'acqua in entrata. Per i dettagli appropriati sul collegamento alla conduttura principale dell'acqua, leggere le informazioni nella sezione relativa ai dati tecnici.
- Utilizzare sempre la serie di tubi flessibili fornita in dotazione con l'elettrodomestico. Per apprendere le precauzioni relative al collegamento alla conduttura principale dell'acqua, leggere le

istruzioni nella sezione relativa all'assemblaggio.

- L'apertura di riempimento dell'acqua non va aperta durante l'uso. Per mantenere la pressione dell'acqua, attenersi alle istruzioni nella sezione di assemblaggio.
- Non utilizzare in piscine contenenti acqua.
- Conformarsi ai requisiti dell'azienda locale di distribuzione dell'acqua.
- Per le nazioni europee:
In base allo standard EN12729 (BA), l'elettrodomestico può anche venire collegato alla rete pubblica di distribuzione dell'acqua potabile, qualora si installi sul tubo flessibile di alimentazione una valvola antiriflusso (disconnettore idrico) con funzione di scarico.

DATI TECNICI

Modello:		DHW180
Portata acqua massima ^{*1} [Alimentazione acqua da serbatoio/Alimentazione acqua da condotta principale]		3,0/5,3 L/min
Portata acqua ^{*2}	Modalità alta	2,5 L/min
	Modalità bassa	1,5 L/min
Pressione di esercizio max		2,4 MPa
Pressione di esercizio ^{*2}	Modalità alta [Alimentazione acqua da serbatoio/Alimentazione acqua da condotta principale]	2,0/2,2 MPa
	Modalità bassa [Alimentazione acqua da serbatoio/Alimentazione acqua da condotta principale]	0,8/0,8 MPa
Pressione massima di alimentazione		0,5 MPa
Temperatura massima di alimentazione		40°C
Altezza massima di aspirazione		2,0 m
Tensione nominale		18 V CC
Dimensioni ^{*3} [L x P x A]		888 mm x 99 mm x 239 mm
Peso		2,3 - 2,7kg

*1: ugello escluso

*2: con schema di spruzzatura a 15°

*3: con ugello 5in1 e tubo di prolunga

- A causa del nostro programma continuativo di ricerca e sviluppo, i dati tecnici sono soggetti a modifiche senza preavviso.
- I dati tecnici possono variare da nazione a nazione.
- Il peso può variare a seconda dell'accessorio o degli accessori, inclusa la cartuccia della batteria. La combinazione più leggera e quella più pesante sono indicate nella tabella.

Cartuccia della batteria e caricabatterie applicabili

Cartuccia della batteria	BL1815N / BL1820B / BL1830B / BL1840B / BL1850B / BL1860B
--------------------------	---

- Alcune cartucce delle batterie e alcuni caricabatterie elencati sopra potrebbero non essere disponibili a seconda della propria area geografica di residenza.

⚠AVVERTIMENTO: Utilizzare solo le cartucce delle batterie e i caricabatterie elencati sopra. L'utilizzo di altre cartucce delle batterie e di altri caricabatterie potrebbe causare lesioni personali e/o un incendio.

⚠AVVERTIMENTO: Non utilizzare un alimentatore con cavo, ad esempio un adattatore per batterie o un gruppo di alimentazione portatile, insieme a questa macchina. Il cavo di alimentatori di questo tipo potrebbe interferire con il funzionamento e risultare in lesioni personali.

Simboli

Le figure seguenti mostrano i simboli utilizzati per l'apparecchio. Accertarsi di comprenderne il significato prima dell'uso.



Leggere il manuale d'uso.



Adottare cura e attenzione particolari.



Solo per le nazioni dell'EU
A causa della presenza di componenti pericolosi nelle apparecchiature, i rifiuti di apparecchiature elettriche ed elettroniche, accumulatori e batterie potrebbero produrre un impatto negativo sull'ambiente e sulla salute umana.
Non smaltire elettrodomestici elettrici ed elettronici o batterie insieme ai rifiuti domestici!
In conformità alla direttiva europea sui rifiuti di apparecchiature elettriche ed elettroniche (RAEE), sugli accumulatori e le batterie, nonché sui rifiuti di accumulatori e batterie, e al suo adattamento alle normative nazionali, i rifiuti di apparecchiature elettriche ed elettroniche, batterie e accumulatori vanno conservati separatamente e conferiti a un punto di raccolta separato per i rifiuti comunali, operando in conformità alle normative per la protezione dell'ambiente.
Tale requisito viene indicato mediante il simbolo del bidone della spazzatura con ruote barrato apposto sull'apparecchio.



Non collegare a un rubinetto di acqua potabile.



Non dirigere il getto verso persone, incluso l'utilizzatore stesso, animali e apparecchi elettrici sotto tensione.

Utilizzo previsto

Questo utensile è destinato alla pulizia dello sporco utilizzando un getto d'acqua per l'utilizzo domestico. Il funzionamento dell'utensile, che offre un tipo di spruzzatura selezionabile, consente di migliorare il lavaggio, nonché l'innaffiamento di prati e giardini.

AVVERTENZE DI SICUREZZA

AVVERTENZE DI SICUREZZA IMPORTANTI

⚠AVVERTIMENTO: Leggere tutte le avvertenze relative alla sicurezza e tutte le istruzioni. La mancata osservanza delle avvertenze e delle istruzioni può risultare in scosse elettriche, incendi e/o gravi lesioni personali.

Conservare tutte le avvertenze e le istruzioni come riferimento futuro.

AVVERTENZA - quando si utilizza questo prodotto, è necessario attenersi sempre alle precauzioni di base, incluse le seguenti:

Sicurezza dell'area di lavoro

1. **Mantenere l'area di utilizzo libera da qualsiasi persona.**
2. **Non sporgersi né salire su supporti instabili. Mantenere una posizione sui piedi e un equilibrio saldi in qualsiasi momento.**
3. **Posizionare sempre il corpo dell'idropulitrice a pressione su una superficie piana e stabile. Evitare le aree in cui l'acqua espulsa possa scorrere via o creare pozze.**
4. **Prima della pulizia, controllare gli ambienti circostanti e gli oggetti da pulire. I getti a pressione possono raschiare via la vernice o altri trattamenti delle superfici, incluse sostanze chimiche tossiche. Se necessario, adottare delle misure preventive.**
5. **Fare attenzione a non inciampare sul tubo flessibile dell'idropulitrice a pressione. Tenere sempre presente la configurazione del tubo flessibile durante l'uso.**
6. **Durante l'uso, una piccola quantità d'acqua fuoriesce dal lato inferiore dell'idropulitrice a pressione. Fare attenzione a non far funzionare l'utensile al di sopra di aree che non si desidera bagnare.**

Sicurezza personale

1. **Per proteggersi dal getto e dagli oggetti colpiti dal getto, gli operatori dovrebbero indossare indumenti appropriati, quali stivali di**

sicurezza, guanti di sicurezza, caschi di sicurezza con visiere, protezioni per l'udito, e così via.

2. **Indossare un'attrezzatura di protezione personale.** A seconda dell'applicazione, utilizzare una visiera, occhiali di sicurezza oppure occhiali di sicurezza, poiché la protezione per gli occhi consente di arrestare i detriti volanti generati da svariate operazioni.
3. **Non utilizzare l'idropulitrice a pressione in prossimità di persone, a meno che indossino indumenti protettivi.**
4. **Per ridurre il rischio di lesioni personali, è necessaria una supervisione ravvicinata quando il prodotto viene utilizzato in prossimità di bambini.**
5. **Qualora venga effettuato un collegamento a un sistema di acqua potabile, il sistema deve essere protetto dal reflusso.**
6. **L'acqua che è passata attraverso un rompivuoto è considerata non potabile.**

Sicurezza elettrica

1. **Non toccare mai le cartucce delle batterie con le mani bagnate.**
2. **Non utilizzare l'elettrodomestico qualora le parti importanti di quest'ultimo siano danneggiate, ad esempio dispositivi di sicurezza o tubi flessibili a pressione.**
3. **Evitare gli ambienti pericolosi. Non utilizzare l'utensile in luoghi umidi o bagnati né esporlo alla pioggia. La penetrazione di acqua nell'utensile incrementa il rischio di scosse elettriche.**

Uso e cura dell'utensile elettrico

1. **Leggere tutte le istruzioni prima di utilizzare il prodotto.**
2. **Apprendere come arrestare l'idropulitrice a pressione e far sfiatare le pressioni rapidamente. Familiarizzare a fondo con i controlli.**
3. **Non spruzzare liquidi infiammabili e/o tossici. In caso contrario, si potrebbe causare un'esplosione, un'intossicazione o danni all'elettrodomestico.**
4. **Non dirigere il getto contro se stessi o altri per pulire indumenti o calzature.**
5. **Tubi flessibili a pressione, raccordi e giunti sono importanti per la sicurezza dell'elettrodomestico. Utilizzare solo tubi flessibili, raccordi e giunti consigliati dal produttore.**
6. **Seguire le istruzioni quando si intende cambiare gli accessori.**
7. **Mantenere le maniglie asciutte, pulite e prive di olio o grasso.**
8. **Restare vigili: fare attenzione a cosa si sta facendo.**
9. **Non far funzionare il prodotto quando si è stanchi o sotto l'influenza di alcool o droghe.**
10. **Non far funzionare l'idropulitrice a pressione senz'acqua per più di un minuto. In caso contrario, si danneggia il motore, causando un malfunzionamento.**
11. **Spegnerne sempre l'apparecchio e chiudere la conduttura principale dell'acqua, quando**

si intende lasciare l'idropulitrice a pressione incustodita.

12. **Fare attenzione ai contraccolpi. L'elettrodomestico rincula quando il getto a pressione viene espulso dall'ugello. Mantenere saldamente l'elettrodomestico per evitare lesioni personali accidentali.**
13. **Prima dell'uso, controllare l'eventuale presenza di parti danneggiate o usurate. Inoltre, accertarsi che il tubo flessibile sia collegato correttamente e che non siano presenti perdite durante l'uso. L'utilizzo dell'elettrodomestico con difetti funzionali potrebbe causare un incidente.**
14. **Non tirare il tubo flessibile per spostare il corpo dell'idropulitrice a pressione. In caso contrario, si danneggiano il tubo flessibile e le parti di collegamento, causando un cortocircuito o difetti funzionali.**
15. **Non collocare oggetti pesanti sul tubo flessibile né consentire a veicoli di passarvi sopra.**
16. **Scaricare sempre la pressione residua presente nell'elettrodomestico prima di scollegare il tubo flessibile.**
17. **Quando si intende collegare il tubo flessibile alla conduttura principale dell'acqua, osservare le istruzioni del proprio acquedotto locale o della propria azienda.**
18. **Qualora l'idropulitrice a pressione venga fatta cadere o colpisca un oggetto duro, accertarsi di controllare la presenza di eventuali danni e spaccature. L'utilizzo di un'idropulitrice a pressione danneggiata potrebbe generare fumo, incendi o causare scosse elettriche, che potrebbero risultare in lesioni personali.**
19. **Evitare l'avvio accidentale. Accertarsi che l'interruttore sia nella posizione di spegnimento prima di effettuare il collegamento alla batteria e di sollevare o trasportare l'elettrodomestico. Il trasporto dell'elettrodomestico con il dito appoggiato sull'interruttore o il collegamento all'alimentazione elettrica di un elettrodomestico con l'interruttore di accensione attivato favoriscono gli incidenti.**
20. **Scollegare la batteria dall'elettrodomestico prima di effettuare eventuali regolazioni, cambiare gli accessori o riporre gli elettrodomestici. Tali misure di sicurezza preventive riducono il rischio di avvio accidentale dell'elettrodomestico.**
21. **Non modificare né tentare di riparare l'elettrodomestico o la batteria, tranne per quanto indicato nelle istruzioni per l'uso e la manutenzione.**
22. **AVVERTENZA - rischio di iniezione o lesioni personali; non dirigere il flusso di scarico verso le persone.**
23. **Accertarsi che un oggetto o un'area da pulire resistano all'innaffiamento. In caso contrario, si potrebbero causare danni all'oggetto o alla sede, con conseguenti lesioni personali.**

Uso e manutenzione degli strumenti a batterie

1. **Ricaricare solo con il caricabatterie specificato dal produttore.** Un caricabatterie appropriato per un tipo di batteria potrebbe creare un rischio di incendio, se utilizzato con un'altra batteria.

2. **Utilizzare gli utensili elettrici solo con le batterie specificamente designate.** L'uso di qualsiasi altra batteria potrebbe creare un rischio di lesioni personali e incendi.
3. **Quando la batteria non è in uso, tenerla lontana da altri oggetti metallici, quali graffette, monete, chiavi, chiodi, viti o altri piccoli oggetti metallici, che potrebbero fare contatto tra terminali diversi.** Il cortocircuito dei terminali della batteria può causare ustioni o incendi.
4. **In condizioni di uso improprio, la batteria potrebbe emettere un liquido: evitare il contatto con tale liquido. Qualora si verifichi un contatto accidentale con il liquido, lavare abbondantemente con acqua. Qualora il liquido entri in contatto con gli occhi, richiedere anche assistenza medica.** Il liquido espulso dalla batteria può causare irritazioni o ustioni.
5. **Non utilizzare una batteria o un utensile che siano danneggiati o che siano stati modificati.** Batterie danneggiate o modificate potrebbero mostrare un comportamento imprevedibile che può risultare in incendi, esplosioni o nel rischio di lesioni personali.
6. **Non esporre una batteria o un utensile al fuoco o a temperature eccessive.** L'esposizione al fuoco o a temperature superiori ai 130 °C potrebbe causare un'esplosione.
7. **Attenersi a tutte le istruzioni relative alla carica e non caricare la batteria o l'utensile al di fuori della gamma di temperature specificata nelle istruzioni.** Una carica inappropriata o a temperature al di fuori della gamma specificata potrebbe danneggiare la batteria e incrementare il rischio di incendio.

Assistenza

1. **Attenersi alle istruzioni di manutenzione specificate nel manuale.**
2. **Per garantire la sicurezza dell'elettrodomestico, utilizzare solo pezzi di ricambio originali del produttore o approvati dal produttore.**
3. **Gli interventi di manutenzione sull'idropulitrice a pressione devono essere effettuati da un tecnico qualificato utilizzando solo parti di ricambio identiche.** Ciò assicura che la sicurezza dell'idropulitrice a pressione venga preservata.
4. **In caso di guasto o malfunzionamento dell'idropulitrice a pressione, spegnerla immediatamente e rimuovere la cartuccia della batteria o le cartucce delle batterie. Contattare il proprio rivenditore o centro di assistenza locale.**

Avvertenze aggiuntive per la sicurezza

1. **Non utilizzare l'utensile quando sussiste il rischio di fulmini.**
2. **Quando si utilizza l'utensile su suolo fangoso, pendii bagnati o ubicazioni scivolose, fare attenzione al proprio appoggio sui piedi.**
3. **Evitare di lavorare in un ambiente inadeguato in cui si preveda un maggiore affaticamento per l'utente.**
4. **Non sostituire la batteria sotto la pioggia.**
5. **Non immergere l'utensile in una pozzanghera.**
6. **Quando si intende riporre l'utensile, evitare**

la luce solare diretta e la pioggia, e riporlo in un'ubicazione in cui non sia soggetto a temperature estremamente elevate o umidità.

7. **Dopo aver utilizzato l'utensile, rimuoverlo lo sporco che si è depositato e far asciugare completamente l'utensile prima di riporlo.** A seconda della stagione o della zona, sussiste il rischio di malfunzionamento dovuto a congelamento.
8. **Non far bagnare i terminali della batteria con liquidi, ad esempio con acqua, né sommergere la batteria. Non lasciare la batteria sotto la pioggia e non caricarla, utilizzarla o riporla in un'ubicazione umida o bagnata.** Qualora i terminali si bagnino o del liquido penetri all'interno della batteria, quest'ultima potrebbe venire cortocircuitata, e sussiste il rischio di surriscaldamento, incendio o esplosione.
9. **Dopo aver rimosso la batteria dall'utensile o dal caricabatteria, accertarsi di applicare il cappuccio della batteria su quest'ultima e di riporre la batteria in un'ubicazione asciutta.**
10. **Non sostituire la batteria con le mani bagnate.**
11. **Qualora l'elettrodomestico si congeli a causa di condizioni meteorologiche fredde, contattare un centro di assistenza autorizzato per le riparazioni.**
12. **Non utilizzare un alimentatore con cavo, ad esempio un adattatore per batterie o un gruppo di alimentazione portatile, insieme a questo elettrodomestico.** Il cavo di un alimentatore di questo tipo potrebbe interferire con il funzionamento e risultare in lesioni personali.

CONSERVARE LE PRESENTI ISTRUZIONI.

AVVERTIMENTO: NON lasciare che la comodità o la familiarità d'uso con il prodotto (acquisita con l'uso ripetuto) sostituiscano la stretta osservanza delle norme di sicurezza.

L'USO IMPROPRIO o la mancata osservanza delle norme di sicurezza riportate nel presente manuale di istruzioni potrebbero causare lesioni personali gravi.

Istruzioni di sicurezza importanti per la cartuccia della batteria

1. **Prima di utilizzare la cartuccia della batteria, leggere tutte le istruzioni e le avvertenze riportate (1) sul caricabatteria, (2) sulla batteria e (3) sul prodotto che utilizza la batteria.**
2. **Non smantellare né manomettere la cartuccia della batteria.** In caso contrario, si potrebbe causare un incendio, calore eccessivo o un'esplosione.
3. **Qualora il tempo di utilizzo si riduca eccessivamente, interrompere immediatamente l'utilizzo dell'utensile.** In caso contrario, si può incorrere nel rischio di surriscaldamento, possibili ustioni e persino un'esplosione.
4. **Qualora l'elettrolita entri in contatto con gli occhi, sciacquarli con acqua pulita e**

richiedere immediatamente assistenza medica. Questa eventualità può risultare nella perdita della vista.

5. **Non cortocircuitare la cartuccia della batteria:**

- (1) **Non toccare i terminali con alcun materiale conduttivo.**
- (2) **Evitare di conservare la cartuccia della batteria in un contenitore insieme ad altri oggetti metallici quali chiodi, monete, e così via.**
- (3) **Non esporre la cartuccia della batteria all'acqua o alla pioggia.**

Un cortocircuito della batteria può causare un grande flusso di corrente, un surriscaldamento, possibili ustioni e persino un guasto.

6. **Non conservare e utilizzare l'utensile e la cartuccia della batteria in ubicazioni in cui la temperatura possa raggiungere o superare i 50°C.**
7. **Non incenerire la cartuccia della batteria anche qualora sia gravemente danneggiata o completamente esaurita. La cartuccia della batteria può esplodere se a contatto con il fuoco.**
8. **Non inchiodare, tagliare, schiacciare, lanciare o far cadere la cartuccia della batteria, né farla urtare con forza contro un oggetto duro. Questi comportamenti potrebbero risultare in un incendio, calore eccessivo o un'esplosione.**
9. **Non utilizzare una batteria danneggiata.**
10. **Le batterie a ioni di litio contenute sono soggette ai requisiti del regolamento sul trasporto di merci pericolose (Dangerous Goods Legislation).**
Per trasporti commerciali, ad esempio da parte di terzi o spedizionieri, è necessario osservare dei requisiti speciali sull'imballaggio e sull'etichetta. Per la preparazione dell'articolo da spedire, è richiesta la consulenza di un esperto in materiali pericolosi. Attenersi anche alle normative nazionali, che potrebbero essere più dettagliate. Nastrire o coprire i contatti aperti e imballare la batteria in modo tale che non si possa muovere liberamente all'interno dell'imballaggio.
11. **Quando si intende smaltire la cartuccia della batteria, rimuoverla dall'utensile e smaltirla in un luogo sicuro. Attenersi alle normative locali relative allo smaltimento della batteria.**
12. **Utilizzare le batterie esclusivamente con i prodotti specificati da Makita.** L'installazione delle batterie in prodotti non compatibili potrebbe risultare in incendi, calore eccessivo, esplosioni o perdite di liquido elettrolitico.
13. **Se l'utensile non viene utilizzato per un periodo di tempo prolungato, la batteria deve essere rimossa dall'utensile.**
14. **Durante e dopo l'uso, la cartuccia della batteria potrebbe assorbire calore, che può causare ustioni o ustioni a bassa temperatura. Fare attenzione a come si maneggiano le cartucce delle batterie estremamente calde.**
15. **Non toccare i terminali dell'utensile subito dopo l'uso, in quanto potrebbero diventare estremamente caldi al punto da causare ustioni.**
16. **Evitare di far incastrare schegge, polveri o**

terreno nei terminali, nei fori e nelle scanalature della cartuccia della batteria. In caso contrario, l'utensile o la cartuccia della batteria potrebbero riscaldarsi, prendere fuoco, scoppiare o guastarsi, causando ustioni o lesioni personali.

17. **A meno che l'utensile supporti l'uso in prossimità di linee elettriche ad alta tensione, non utilizzare la cartuccia della batteria in prossimità di linee elettriche ad alta tensione.** In caso contrario, si potrebbe causare un malfunzionamento o la rottura dell'utensile o della cartuccia della batteria.

18. **Tenere la batteria lontana dai bambini.**

CONSERVARE LE PRESENTI ISTRUZIONI.

ATTENZIONE: Utilizzare solo batterie originali Makita. L'utilizzo di batterie Makita non originali, o di batterie che siano state alterate, potrebbe risultare nello scoppio della batteria, causando incendi, lesioni personali e danni. Inoltre, ciò potrebbe invalidare la garanzia Makita per l'utensile e il caricabatterie Makita.

Suggerimenti per preservare la durata massima della batteria

1. **Caricare la cartuccia della batteria prima che si scarichi completamente. Smettere sempre di utilizzare l'utensile e caricare la cartuccia della batteria quando si nota che la potenza dell'utensile è diminuita.**
2. **Non ricaricare mai una cartuccia della batteria completamente carica. La sovraccarica riduce la vita utile della batteria.**
3. **Caricare la cartuccia della batteria a una temperatura ambiente compresa tra 10 °C e 40 °C. Lasciar raffreddare una cartuccia della batteria prima di caricarla.**
4. **Quando non si utilizza la cartuccia della batteria, rimuoverla dall'utensile o dal caricabatterie.**
5. **Caricare la cartuccia della batteria se non la si è utilizzata per un periodo di tempo prolungato (più di sei mesi).**

DESCRIZIONE DELLE FUNZIONI

ATTENZIONE: Accertarsi sempre che l'utensile sia spento e che la cartuccia della batteria sia stata rimossa prima di regolare o di controllare il funzionamento dell'utensile.

Installazione o rimozione della cartuccia della batteria

⚠ATTENZIONE: Spegnerne sempre l'utensile prima di installare o rimuovere la cartuccia della batteria.

⚠ATTENZIONE: Mantenere saldamente lo strumento e la batteria quando si intende installare o rimuovere la cartuccia della batteria. Qualora non si mantengano saldamente lo strumento e la cartuccia della batteria, questi ultimi potrebbero scivolare dalle mani, con la possibilità di causare un danneggiamento dello strumento e della cartuccia della batteria, nonché una lesione personale.

⚠ATTENZIONE: Fare attenzione a non far restare incastrate le dita durante l'apertura o la chiusura della copertura della batteria.

Aprire la copertura mentre si tiene premuta la leva di blocco.

► **Fig.1:** 1. Sportellino 2. Leva di blocco

Allineare la linguetta sulla cartuccia della batteria con la scanalatura nell'alloggiamento, quindi far scivolare la batteria in sede. Inserirla completamente fino a quando si innesta in sede con un piccolo scatto. Se è possibile vedere l'indicatore rosso, come indicato nella figura, non è bloccata completamente.

► **Fig.2:** 1. Indicatore rosso 2. Pulsante 3. Cartuccia della batteria

Dopo aver installato o rimosso le cartucce delle batterie, accertarsi di chiudere lo sportellino.

Per rimuovere la cartuccia della batteria, aprire la copertura, far scorrere via la cartuccia della batteria dall'utensile mentre si tiene premuto il pulsante sul lato anteriore, quindi chiudere la copertura.

⚠ATTENZIONE: Installare sempre fino in fondo la cartuccia della batteria, fino a quando l'indicatore rosso non è più visibile. In caso contrario, la batteria potrebbe cadere accidentalmente dall'utensile, causando lesioni personali all'operatore o a chi gli è vicino.

⚠ATTENZIONE: Non installare forzatamente la cartuccia della batteria. Qualora la batteria non si inserisca scorrendo agevolmente, vuol dire che non viene inserita correttamente.

⚠ATTENZIONE: Prima dell'uso, accertarsi di aver bloccato lo sportellino.

Sistema di protezione strumento/batteria

L'utensile è dotato di un sistema di protezione dell'utensile e della batteria. Questo sistema interrompe automaticamente l'alimentazione al motore per prolungare la vita utile dell'utensile e della batteria. L'utensile si arresta automaticamente con un'indicazione, qualora l'utensile o la batteria vengano a trovarsi in una delle condizioni seguenti:

► **Fig.3:** 1. Indicatore

Protezione dal sovraccarico

Quando l'utensile o la batteria vengono fatti funzionare in modo da causare un assorbimento di corrente elevato in modo anomalo, l'utensile si arresta automaticamente e l'indicatore rosso si illumina. In questa circostanza, spegnere l'utensile e interrompere l'applicazione che ha causato il sovraccarico dell'utensile. Quindi, accendere l'utensile per ricominciare.

Protezione dal surriscaldamento

Quando l'utensile o la batteria sono surriscaldati, l'utensile si arresta automaticamente e l'indicatore rosso si illumina. In questa situazione, lasciar raffreddare l'utensile prima di riaccenderlo.

Protezione dalla sovrascarica

Quando la carica della batteria diventa bassa, l'indicatore rosso lampeggia. Quando la batteria si avvicina all'esaurimento completo, l'utensile si arresta automaticamente e l'indicatore rosso si illumina. In questo caso, rimuovere la batteria dall'utensile e caricarla.

Protezione da altre cause

Il sistema di protezione è progettato anche per altre cause che potrebbero danneggiare l'utensile, e consente all'utensile di arrestarsi automaticamente. Adottare tutte le misure seguenti per rimuovere le cause, quando l'utensile è stato portato a un'interruzione temporanea o a un arresto del funzionamento.

1. Spegnerne l'utensile, quindi riaccenderlo per ricominciare.
2. Caricare la batteria o le batterie, o sostituirla/sostituirla con una batteria o delle batterie ricaricate.
3. Lasciar raffreddare l'utensile e la batteria o le batterie.

Qualora non si riscontri alcun miglioramento ripristinando il sistema di protezione, contattare il proprio centro di assistenza locale Makita.

AVVISO: Qualora l'utensile si arresti a causa di un motivo non descritto sopra, fare riferimento alla sezione relativa alla risoluzione dei problemi.

Indicazione della carica residua della batteria

Solo per cartucce delle batterie dotate di indicatore

Premere il pulsante di controllo sulla cartuccia della batteria per indicare la carica residua della batteria. Gli indicatori luminosi si illuminano per alcuni secondi.

► **Fig.4:** 1. Indicatori luminosi 2. Pulsante di controllo

Indicatori luminosi			Carica residua
■ Illuminato	□ Spento	▬ Lampeggiante	
■ ■ ■ ■			Dal 75% al 100%
■ ■ ■ □			Dal 50% al 75%

Indicatori luminosi			Carica residua
■	□	▲	
Illuminato	Spento	Lampeggiante	
■ ■ □ □			Dal 25% al 50%
■ □ □ □			Dallo 0% al 25%
▲ □ □ □			Caricare la batteria.
■ ■ □ □			La batteria potrebbe essersi guastata.
□ □ ■ ■	↑ ↓		

NOTA: A seconda delle condizioni d'uso e della temperatura ambiente, l'indicazione potrebbe variare leggermente rispetto alla carica effettiva.

NOTA: Il primo indicatore luminoso (all'estremità sinistra) lampeggia quando il sistema di protezione della batteria è in funzione.

Commutatore della modalità di pressione

Selezionare la modalità di pressione desiderata facendo scorrere la leva dell'interruttore avanti e indietro.

Tirare la leva all'indietro per la modalità a bassa pressione, in modo che il simbolo del numero "1" si legga sul commutatore.

Spingere la leva in avanti per la modalità ad alta pressione, in modo che il simbolo del numero "2" si legga sul commutatore.

► **Fig.5:** 1. Modalità a bassa pressione (1) 2. Modalità ad alta pressione (2) 3. Leva del commutatore della modalità di pressione

Interruttore a grilletto

L'idropulitrice a pressione utilizza un blocco di sicurezza sul grilletto. Per rilasciare il blocco del grilletto, premere il pulsante di blocco per farlo rientrare nel grilletto, in modo che la superficie di quest'ultimo diventi piatta.

Premere l'interruttore a grilletto per espellere un getto d'acqua. Il getto prosegue fintanto che il grilletto viene tenuto schiacciato.

► **Fig.6:** 1. Interruttore a grilletto 2. Pulsante di blocco

Premere il pulsante di blocco facendolo fuoriuscire di nuovo dall'interno del grilletto per attivare il blocco del grilletto.

Accertarsi di bloccare il grilletto quando l'idropulitrice a pressione non è in uso.

► **Fig.7:** 1. Interruttore a grilletto 2. Pulsante di blocco

Funzioni dell'ugello

L'ugello di spruzzatura a schema multiplo (5-in-1) offre una gamma di schemi di spruzzatura che possono venire regolati a seconda delle esigenze di lavaggio dell'utente. Grazie alla combinazione di cinque degli

schemi di spruzzatura più utilizzati in un unico ugello, non è più necessario passare dall'uno all'altro: è sufficiente selezionare mediante una rotazione lo schema di spruzzatura idoneo per l'operazione da eseguire.

Commutazione semplice degli ugelli: 0°, 15°, 25°, 40° e a pioggia

► **Fig.8**

► **Fig.9:** 1. Simbolo dello schema di spruzzatura
2. Simbolo del triangolo

Ruotare la testa dell'ugello verso sinistra o verso destra sulla posizione dello schema di spruzzatura desiderato. Allineare correttamente il simbolo dello schema di spruzzatura che si desidera selezionare con il simbolo del triangolo, in modo che la testa dell'ugello si blocchi con uno scatto.

► **Fig.10**

AVVISO: Fare attenzione a non impostare la testa dell'ugello in una posizione in cui non produca uno scatto. In caso contrario, l'utensile potrebbe creare degli schemi di spruzzatura irregolari, causando perdite d'acqua.

ATTENZIONE: Provare a non far girare anche il corpo dell'ugello, mentre si cambiano gli schemi di spruzzatura. L'ugello potrebbe staccarsi dal corpo dell'utensile e causare lesioni personali.

Valvola di sicurezza

Questo utensile è dotato di una valvola di sicurezza che evita una sovrappressione eccessiva.

ATTENZIONE: Non alterare né regolare l'impostazione della valvola di sicurezza.

MONTAGGIO

ATTENZIONE: Accertarsi sempre che l'utensile sia spento e che la cartuccia della batteria sia stata rimossa, prima di effettuare qualsiasi intervento sull'utensile.

Installazione dell'ugello e della prolunga per lancia

ATTENZIONE: Bloccare sempre l'interruttore a grilletto mentre si monta o si smonta un ugello e un tubo di prolunga.

Ugello

Allineare le sporgenze guida sull'estremità dell'ugello con gli alloggiamenti di bloccaggio nella carcassa dell'utensile. Spingere fino in fondo l'ugello, fino a quando i due simboli dei triangoli sull'ugello e sulla carcassa sono rivolti l'uno verso l'altro. Quindi, ruotare l'ugello nella direzione indicata nella figura per attivare il blocco. Dopo aver installato l'ugello, provare a tirarlo all'indietro per accertarsi che sia fissato saldamente in sede.

► **Fig.11:** 1. Ugello 2. Sporgenza guida
3. Alloggiamento di bloccaggio 4. Simboli

dei triangoli 5. Profilo simile a una pinna pelvica

NOTA: Accertarsi di ruotare il profilo simile a una pinna pelvica rivolgendolo verso il basso.

Per staccare l'ugello, premere e tenere premuto l'ugello verso la carcassa dell'utensile, quindi ruotarlo in senso antiorario fino a quando i due simboli dei triangoli sono rivolti l'uno verso l'altro. Tirare l'ugello per separarlo dalla carcassa dell'utensile dopo averlo sbloccato.

Prolunga per lancia

Consente l'innaffiamento di eventuali punti difficili da raggiungere. Installare la prolunga per lancia tra la carcassa dell'utensile e l'ugello attenendosi alla stessa procedura descritta per l'installazione dell'ugello.

► **Fig.12:** 1. Prolunga per lancia 2. Carcassa dell'utensile 3. Ugello 4. Sporgenze guida 5. Alloggiamenti di bloccaggio 6. Simboli dei triangoli

Per staccare gli accessori, premere e tenere premuto l'accessorio punta verso l'attacco dell'accessorio/la carcassa, quindi ruotarlo in senso antiorario fino a quando i due simboli dei triangoli sono rivolti l'uno verso l'altro. Tirare l'accessorio punta per staccarlo dall'attacco per accessori/dalla carcassa dopo che è stato sbloccato.

Collegamento al serbatoio di alimentazione dell'acqua

AVVISO: Utilizzare sempre il tubo flessibile a pressione e la succhieruola forniti in dotazione con questo utensile per alimentare l'acqua.

AVVISO: Mantenere sempre un'altezza di 2,0 m o inferiore tra l'entrata dell'idropulitrice a pressione e la superficie dell'acqua. In caso contrario, l'idropulitrice a pressione non è in grado di far salire l'acqua per immetterla nella pompa.

AVVISO: Accertarsi di riempire un contenitore d'acqua di spessore superiore a 25 mm dal fondo e immergere completamente la succhieruola nell'acqua.

L'acqua può venire alimentata da un serbatoio, un contenitore o una cisterna di qualsiasi dimensione.

Un innaffiamento alimentato da un serbatoio risolve situazioni di lavaggio a pressione quali, ad esempio, lavaggio di macchine e giardinaggio, e così via, in cui l'acqua non è disponibile e deve essere trasportata nell'area o nella sede di lavaggio.

1. Montare la succhieruola su un'estremità del tubo flessibile a pressione.

Inserire l'uscita della succhieruola nel giunto di raccordo e spingerla a fondo fino a quando la succhieruola è fissata in sede.

► **Fig.13:** 1. Succhieruola 2. Giunto di raccordo 3. Tubo flessibile a pressione

2. Lasciare la succhieruola sul fondo del contenitore dell'acqua.

► **Fig.14:** 1. Succhieruola 2. Tubo flessibile a pressione 3. Gancio del tubo flessibile

NOTA: Appendere il tubo flessibile lungo l'apertura utilizzando un gancio per tubo flessibile fornito in dotazione, in modo che la succhieruola resti ferma sul fondo del contenitore.

3. Montare l'altra estremità del tubo flessibile sul raccordo per il tubo flessibile dell'acqua presente nell'idropulitrice a pressione.

Applicare il giunto di raccordo sull'entrata del raccordo e spingerlo a fondo, fino a quando il giunto di raccordo viene fissato in sede.

► **Fig.15:** 1. Giunto di raccordo 2. Raccordo per il tubo flessibile dell'acqua

ATTENZIONE: Accertarsi che il tubo flessibile ad alta pressione sia collegato in modo saldo. Un raccordo allentato potrebbe far staccare con violenza il tubo flessibile ad alta pressione, causando lesioni personali.

AVVISO: Introdurre anticipatamente dell'acqua nell'idropulitrice a pressione e nel tubo flessibile ogni volta che si deve sollevare l'acqua da una determinata profondità in modalità ad alta pressione.

Collegamento all'alimentazione dell'acqua da condotta principale

ATTENZIONE: Utilizzare sempre il tubo flessibile a pressione fornito in dotazione con questo utensile per alimentare l'acqua.

AVVISO: Qualora si effettui il collegamento alla condotta dell'acqua potabile, utilizzare una valvola rompivuoto che soddisfi le normative della propria area geografica.

AVVISO: Mantenere una pressione di alimentazione dell'acqua in entrata inferiore a 0,5 MPa, per un'alimentazione precisa. Non superare la pressione massima di alimentazione, in quanto questo potrebbe causare perdite d'acqua quando l'utensile smette di lavorare.

L'acqua può venire fornita dall'acqua della condotta principale disponibile presso l'area o la sede del lavaggio.

Un'alimentazione dell'acqua continua consente di non doversi preoccupare del rabbocco dell'acqua, e consente lavori di pulizia e giardinaggio domestici efficienti, ad esempio pulizia di macchie, lavaggio e innaffiamento di ampie aree di prato o vegetazione.

1. Collegare il tubo flessibile a pressione al rubinetto.

Applicare un raccordo idoneo, ad esempio un raccordo per rubinetto dell'acqua, per fissare l'estremità del tubo flessibile al rubinetto.

► **Fig.16:** 1. Raccordo per rubinetto dell'acqua 2. Giunto di raccordo 3. Tubo flessibile a pressione

NOTA: Il tipo di raccordo dipende dalla forma del rubinetto a cui si intende effettuare il collegamento. Preparare un raccordo idoneo acquistato sul mercato.

2. Montare l'altra estremità del tubo flessibile sul

raccordo per il tubo flessibile dell'acqua presente nell'idropulitrice a pressione.

Applicare il giunto di raccordo sull'entrata del raccordo e spingerlo a fondo, fino a quando il giunto di raccordo viene fissato in sede.

► **Fig.17:** 1. Giunto di raccordo 2. Raccordo per il tubo flessibile dell'acqua

Installazione dell'ugello schiumogeno

Accessorio opzionale

ATTENZIONE: Bloccare sempre l'interruttore a grilletto mentre si montano o si smontano gli accessori opzionali.

AVVISO: Utilizzare solo detersivi neutri. Non utilizzare detersivi per la casa, detersivi acidi, detersivi alcalini, candeggine, solventi, materiali infiammabili o soluzioni per uso industriale, che potrebbero danneggiare l'utensile o le proprietà dell'utente. Preparare la soluzione di pulizia seguendo le istruzioni riportate sulla bottiglia della soluzione, ed effettuare sempre anticipatamente una prova in un punto non visibile.

AVVISO: Se si utilizza un detersivo molto viscoso, è probabile che l'ugello si otturi. Quando si intende utilizzare un detersivo ad alta viscosità, diluirlo aggiungendo acqua nella bottiglia prima dell'uso.

NOTA: Quando si utilizza l'ugello schiumogeno, il detersivo nella bottiglia viene diluito con l'acqua fornita dall'utensile e spruzzato. Non si deve diluire la concentrazione del detersivo nella bottiglia più del necessario. Regolare la concentrazione del detersivo mentre si controllano le condizioni d'uso.

NOTA: Qualora l'ugello schiumogeno venga rovesciato sul fianco, il detersivo potrebbe fuoriuscire.

Preparare un detersivo prima di utilizzare l'ugello schiumogeno.

1. Riempire il serbatoio con il detersivo. Montare l'ugello sul serbatoio e serrare saldamente il coperchio.

2. Inclinare l'ugello schiumogeno per allineare le sue sporgenze guida con gli alloggiamenti di bloccaggio nella carcassa dell'utensile. Spingere l'ugello fino in fondo e mantenerlo in sede. Quindi, ruotare l'ugello schiumogeno nella direzione indicata nella figura per innestare il blocco.

► **Fig.18:** 1. Ugello schiumogeno 2. Serbatoio 3. Sporgenza guida 4. Alloggiamento di bloccaggio

Dopo aver installato l'ugello, provare a tirarlo all'indietro per accertarsi che sia fissato saldamente in sede.

3. Ruotare il selettore del detersivo per regolare il volume di aspirazione della soluzione detergente.

► **Fig.19:** 1. Selettore del detersivo 2. Ruotare per la quantità minima 3. Ruotare per la quantità massima

Installazione di ugelli opzionali

Accessorio opzionale

ATTENZIONE: Bloccare sempre l'interruttore a grilletto mentre si montano o si smontano gli accessori opzionali.

Allineare le sporgenze guida su un ugello opzionale con gli alloggiamenti di bloccaggio nella carcassa dell'utensile. Spingere l'ugello fino in fondo e mantenerlo in sede. Quindi, ruotare l'ugello nella direzione indicata nella figura per attivare il blocco.

Dopo aver installato l'ugello, provare a tirarlo all'indietro per accertarsi che sia fissato saldamente in sede.

► **Fig.20:** 1. Ugelli 2. Sporgenza guida 3. Alloggiamento di bloccaggio

Per staccare l'ugello, premere e tenere premuto l'ugello verso la carcassa dell'utensile, quindi ruotarlo in senso antiorario per rilasciare il blocco. Tirare l'ugello per separarlo dall'idropulitrice a pressione dopo averlo sbloccato.

Installazione dell'adattatore per bottiglia di plastica

Accessorio opzionale

ATTENZIONE: Bloccare sempre l'interruttore a grilletto mentre si montano o si smontano gli accessori opzionali.

ATTENZIONE: Accertarsi di montare saldamente l'adattatore per bottiglia di plastica sull'idropulitrice a pressione e sulla bottiglia di plastica. La mancata osservanza di questa indicazione potrebbe causare la caduta della bottiglia, con conseguenti lesioni personali.

NOTA: Non è possibile montare alcuni tipi di bottiglie di plastica.

(Utilizzare una bottiglia di plastica con un diametro esterno di avvitamento pari a 28 mm (1-1/8").)

NOTA: Potrebbe essere preferibile l'utilizzo di una bottiglia di plastica da 2 litri (mezzo gallone) per contenere l'acqua.

1. Riempire d'acqua una bottiglia di plastica.
2. Lanciare il tubo di aspirazione verso il basso attraverso l'apertura della bottiglia.
3. Montare l'adattatore sulla bottiglia avvitando il dado del giunto di raccordo.
4. Montare l'adattatore per bottiglia di plastica sul raccordo per il tubo flessibile dell'acqua presente nell'idropulitrice a pressione.

Applicare il giunto di raccordo sull'entrata del raccordo e spingerlo a fondo, fino a quando il giunto di raccordo viene fissato in sede.

► **Fig.21:** 1. Adattatore per bottiglia di plastica 2. Tubo di aspirazione 3. Bottiglia di plastica 4. Raccordo per il tubo flessibile dell'acqua

FUNZIONAMENTO

⚠AVVERTIMENTO: Non toccare il getto d'acqua e non dirigerlo verso se stessi o altri. Il getto d'acqua è pericoloso e può ferire l'utilizzatore o altri.

⚠AVVERTIMENTO: Quando si spara il getto d'acqua, non tenere mai in mano l'oggetto che si intende pulire, né posizionare le mani e i piedi in prossimità del getto d'acqua.

⚠ATTENZIONE: Non far funzionare l'idropulitrice a pressione senz'acqua per più di 1 minuto.

⚠ATTENZIONE: Non utilizzare l'idropulitrice a pressione per periodi di tempo prolungati. In caso contrario, si potrebbe causare un surriscaldamento o un incendio. Inoltre, l'utilizzo a lungo termine potrebbe causare malesseri dovuti alle vibrazioni.

⚠ATTENZIONE: Fare attenzione alla direzione del vento. Qualora il detergente penetri negli occhi o in bocca, sciacquare immediatamente con acqua dolce e richiedere assistenza medica, se necessario.

AVVISO: Per proteggere il meccanismo dell'idropulitrice a pressione, non utilizzare acqua a temperature superiori a 40°C (104°F).

AVVISO: Non utilizzare una fonte d'acqua non trattata, ad esempio acqua di fiume, acqua di lago e acqua sabbiosa o fangosa. Acqua sporca non filtrata potrebbe causare il deposito di materiali indesiderati nella pompa, causando un malfunzionamento.

Altezza di sollevamento dell'acqua

È necessario che l'altezza verticale dalla fonte dell'acqua all'entrata di aspirazione dell'acqua dell'idropulitrice a pressione non sia superiore a 2,0 m.

Profondità della pozza d'acqua

Riempire un contenitore d'acqua con uno spessore superiore a 25 mm dal fondo.

► **Fig.22:** 1. Altezza di sollevamento dell'acqua
2. Profondità della pozza d'acqua

Procedura nel funzionamento di base

1. Collegare l'entrata del tubo flessibile dell'acqua alla fonte di alimentazione dell'acqua.

2. Collegare l'uscita del tubo flessibile dell'acqua all'idropulitrice a pressione.

► **Fig.23**

3. Se l'acqua restante nell'idropulitrice a pressione è stata scaricata dall'ultima volta che è stata utilizzata, introdurre dell'acqua nel tubo flessibile a pressione e nell'idropulitrice a pressione.

Lasciar scorrere l'acqua attraverso il tubo flessibile e l'idropulitrice fino a quando tutta l'aria contenuta al loro interno venga rilasciata.

(1) Rimuovere l'ugello dall'idropulitrice a pressione.

(2) Installare la cartuccia della batteria nell'idropulitrice a pressione.

(3) Selezionare la modalità ad alta pressione.

(4) Sbloccare l'interruttore a grilletto.

(5) Premere e tenere premuto l'interruttore a grilletto

fino a quando l'idropulitrice a pressione generi un getto d'acqua stabile.

► **Fig.24:** 1. Leva del commutatore della modalità di pressione

Dopo aver fatto fuoriuscire l'aria dall'idropulitrice a pressione e dal tubo flessibile, rilasciare l'interruttore a grilletto.

Rimuovere la cartuccia della batteria dall'idropulitrice a pressione e montare l'ugello idoneo al proprio scopo.

4. Aprire la copertura e installare la cartuccia della batteria nell'idropulitrice a pressione, quindi bloccare la copertura.

► **Fig.25:** 1. Cartuccia della batteria 2. Sportellino

⚠ATTENZIONE: Fare attenzione a non far restare incastrate le dita durante l'apertura o la chiusura della copertura della batteria.

5. Selezionare la modalità di pressione desiderata. Quindi, sbloccare l'interruttore a grilletto.

► **Fig.26:** 1. Leva del commutatore della modalità di pressione 2. Interruttore a grilletto
3. Pulsante di blocco

6. Puntare la testa dell'ugello verso l'area o la sede di innaffiamento. Schiacciare l'interruttore a grilletto.

Il getto d'acqua prosegue fintanto che il grilletto viene schiacciato.

► **Fig.27**

► **Fig.28**

⚠ATTENZIONE: Mantenere saldamente l'idropulitrice a pressione. L'utensile rincula quando si preme l'interruttore a grilletto.

⚠ATTENZIONE: Mantenere sempre l'idropulitrice a pressione per l'impugnatura e per la canna, durante l'espulsione del getto d'acqua.

Dopo l'uso

⚠ATTENZIONE: Dopo aver utilizzato l'idropulitrice a pressione, eseguire sempre la procedura descritta nel presente manuale. La pressione residua nell'idropulitrice a pressione può causare lesioni personali o danni alla pompa interna.

1. Rilasciare l'interruttore a grilletto e bloccarlo utilizzando il pulsante di blocco.

2. Scollegare il tubo flessibile dell'acqua dalla fonte di alimentazione dell'acqua.

► **Fig.29**

3. Sbloccare l'interruttore a grilletto e schiacciarlo fino a quando l'acqua restante nell'idropulitrice a pressione e nel tubo flessibile viene scaricata.

► **Fig.30**

AVVISO: Non far girare il motore per più di 1 minuto.

4. Rilasciare l'interruttore a grilletto e bloccarlo utilizzando il pulsante di blocco. Quindi, rimuovere la batteria dall'idropulitrice a pressione.

► **Fig.31:** 1. Pulsante di blocco 2. Cartuccia della

batteria

5. Scollegare il tubo flessibile a pressione dall'idropulitrice a pressione.

► **Fig.32:** 1. Giunto di raccordo 2. Raccordo per il tubo flessibile dell'acqua

AVVISO: Per evitare che il tubo flessibile a pressione si danneggi, rimuovere l'acqua residua nel tubo flessibile prima di riporlo.

MANUTENZIONE

ATTENZIONE: Prima di tentare di eseguire interventi di ispezione o manutenzione, accertarsi sempre che l'utensile sia spento e che la cartuccia della batteria sia stata rimossa.

AVVISO: Non utilizzare mai benzina, benzene, solventi, alcol o altre sostanze simili. In caso contrario, si potrebbero causare scolorimenti, deformazioni o crepe.

Per preservare la SICUREZZA e l'AFFIDABILITÀ del prodotto, le riparazioni e qualsiasi altro intervento di manutenzione e di regolazione devono essere eseguiti da un centro di assistenza autorizzato Makita, utilizzando sempre ricambi Makita.

Pulizia degli ugelli

Utilizzare lo spillo di pulizia, un bastoncino simile a una minuscola lima, per rimuovere lo sporco intasato dalle aperture degli ugelli.

► **Fig.33:** 1. Spillo di pulizia 2. Ugello

NOTA: Per mantenere prestazioni ottimali, pulire a intervalli regolari l'ugello.

AVVISO: Non rimuovere con la forza sporco o detriti. In caso contrario, si potrebbero causare lesioni personali o danni al foro di espulsione, causando angolazioni deviate del getto o prestazioni scadenti.

Pulizia dei filtri

Rimuovere il raccordo per il tubo flessibile dell'acqua dall'idropulitrice a pressione. Rimuovere polveri o sporco aderiti al filtro.

► **Fig.34:** 1. Raccordo per il tubo flessibile dell'acqua 2. Filtro 3. Anello di guarnizione

Smontare la succhieruola svitando il contenitore del filtro. Rimuovere polveri o sporco aderiti al filtro.

► **Fig.35:** 1. Filtro 2. Contenitore del filtro

NOTA: Per mantenere prestazioni ottimali, pulire a intervalli regolari il filtro.

RISOLUZIONE DEI PROBLEMI

Prima di richiedere riparazioni, eseguire un'ispezione personalmente. Qualora si rilevi un problema che non è illustrato nel manuale, non tentare di smontare l'utensile. Rivolgersi, invece, a un centro di assistenza autorizzato Makita, utilizzando sempre pezzi di ricambio Makita per le riparazioni.

Stato di anomalia	Causa probabile (guasto)	Azione correttiva
L'idropulitrice non si avvia.	Elettricità assente	Installare una cartuccia della batteria carica.
	L'interruttore a grilletto è bloccato.	Sbloccare l'interruttore a grilletto.
	Batteria o circuito elettrico danneggiati	Contattare un centro di assistenza autorizzato per richiedere le riparazioni.

Stato di anomalia	Causa probabile (guasto)	Azione correttiva
Getto d'acqua assente o debole	Alimentazione dell'acqua assente	Accertarsi che il rubinetto sia aperto. Se si intende effettuare il collegamento a un'alimentazione dell'acqua da serbatoio, introdurre acqua nell'idropulitrice a pressione e nel tubo flessibile.
	Alimentazione dell'acqua insufficiente	Aprire il rubinetto.
	Collegamento scadente del tubo flessibile dell'acqua	Controllare il collegamento tra l'idropulitrice a pressione e l'alimentazione dell'acqua.
	Tubo flessibile dell'acqua deformato o usurato	Raddrizzare il tubo flessibile. Sostituire il tubo flessibile dell'acqua danneggiato con uno nuovo.
	Tubo flessibile o ugello ostruiti	Disostruire il tubo flessibile o l'ugello.
	Filtri ostruiti	Rimuovere le polveri o lo sporco aderiti ai filtri nella succhieruola e nel raccordo per il tubo flessibile dell'acqua.
	Acqua di scarico o contaminata	Pulire il sistema dell'acqua e riempire con acqua pulita.
	Ugello danneggiato o usurato	Sostituire l'ugello.
	Guasto della pompa o della valvola	Contattare un centro di assistenza autorizzato per richiedere le riparazioni.
	Giunto dell'acqua allentato	Fissare il collegamento tra il tubo flessibile dell'acqua e i giunti di raccordo.
	Perdite dal collegamento di alimentazione dell'acqua	Serrare nuovamente il collegamento tra il tubo flessibile dell'acqua e l'alimentazione dell'acqua.
	Succhieruola installata in modo insufficiente	Immergere completamente la succhieruola nell'acqua.
Modalità a bassa pressione in uso	Selezionare la modalità ad alta pressione.	
Getto d'acqua instabile	Ugello ostruito	Disostruire il foro di espulsione dell'ugello utilizzando lo spillo di pulizia.
	Aspirazione dell'acqua insufficiente	Controllare l'eventuale presenza di perdite o intasamenti del tubo flessibile dell'acqua.
	L'acqua è troppo calda.	Alimentare acqua più fredda.
	Guasto della valvola	Contattare un centro di assistenza autorizzato per richiedere le riparazioni.
Rumore anomalo	L'acqua è troppo calda.	Alimentare acqua più fredda.
Perdita d'acqua	Collegamento scadente	Controllare il collegamento tra l'idropulitrice a pressione e l'alimentazione dell'acqua.
	Installazione imperfetta dell'ugello	Premere l'ugello fino in fondo. Quindi, ruotare l'ugello fino a quando è bloccato saldamente.
	La testa dell'ugello resta in una posizione errata	Impostare la testa dell'ugello in una posizione in cui faccia clic con il simbolo di uno schema di spruzzatura chiaramente visibile.
	Guarnizioni usurate	Contattare un centro di assistenza autorizzato per richiedere le riparazioni.

ACCESSORI OPZIONALI

⚠ATTENZIONE: Questi accessori o componenti aggiuntivi sono consigliati per l'uso con l'utensile Makita specificato nel presente manuale. L'impiego di altri accessori o componenti aggiuntivi può costituire un rischio di lesioni alle persone. Utilizzare gli accessori o i componenti aggiuntivi solo per il loro scopo prefissato.

Per ottenere ulteriori dettagli relativamente a questi accessori, rivolgersi a un centro di assistenza Makita.

NOTA: Alcuni articoli nell'elenco potrebbero essere inclusi nell'imballaggio dell'utensile come accessori standard. Tali articoli potrebbero variare da nazione a nazione.

Ugello schiumogeno

► Fig.36

È possibile spruzzare del detergente sotto forma di schiuma.

Spazzola di lavaggio

► Fig.37

Ugello dotato di spazzola. Utile per lavare via lo sporco mentre si scrosta con la spazzola.

Ugello ad angolo

► Fig.38

Una testa con ugello ad angolo può ruotare di 360 gradi, consentendo la manovrabilità e la copertura senza angoli morti.

Adattatore per bottiglia di plastica

► Fig.39

Consente di pompare acqua imbottigliata ed estrarla facilmente da una bottiglia di plastica. Una bottiglia d'acqua può fungere da fonte dell'acqua.

WAARSCHUWING

- Het apparaat mag niet door kinderen worden gebruikt. Kinderen dienen onder toezicht te staan om ervoor te zorgen dat zij niet met het apparaat spelen.
- Het apparaat is niet geschikt voor gebruik door personen (waaronder kinderen) met een verminderd lichamelijk, zintuiglijk of geestelijk vermogen, of gebrek aan kennis en ervaring, behalve indien zij instructies hebben gehad en onder toezicht staan van een persoon die verantwoordelijk is voor hun veiligheid.
- De waterstraal mag niet worden gericht op personen, stroomvoerende elektrische apparaten en dit apparaat zelf.
- Controleer altijd of het apparaat is uitgeschakeld en de accu is verwijderd alvorens enige werkzaamheden aan het gereedschap te verrichten.
- Gebruik het apparaat niet wanneer belangrijke onderdelen van het apparaat beschadigd zijn, bijvoorbeeld een veiligheidsinrichting of de waterslangen.
- Lees de instructies in het hoofdstuk over het onderhoud voor de benodigde informatie over de voorzorgsmaatregelen tijdens het onderhoud door de gebruiker.
- Onthoud het normale temperatuurbereik voor het opladen van de accu. Lees de veiligheidsinstructies voor de accu om bekend te worden met de voorzorgsmaatregelen bij het hanteren van accu's.
- Lees de instructies in het hoofdstuk over de montage voor de benodigde informatie over de voorzorgsmaatregelen tijdens de montage door de gebruiker.
- Onthoud de maximale inlaatwaterdruk. Lees de informatie in het hoofdstuk over de technische gegevens voor de juiste informatie over het aansluiten op het waterleidingnetwerk.
- Gebruik altijd de slangenset die bij het apparaat werd geleverd. Lees de instructies in het hoofdstuk over de montage om bekend te worden met de voorzorgsmaatregelen bij het aansluiten op het waterleidingnetwerk.
- De watervulopening mag niet worden geopend tijdens gebruik.

Volg de instructies in het hoofdstuk over de montage om de waterdruk te handhaven.

- Gebruik het apparaat niet in een zwembad gevuld met water.
- Voldoe aan de vereisten van het lokale waterleidingbedrijf.
- Voor Europese landen:
Conform EN12729 (BA) mag het apparaat tevens worden aangesloten op het hoofddrinkwaterleidingnet in het geval een terugstroomkeerlep met aftapinrichting is gemonteerd in de aanvoerslang.

TECHNISCHE GEGEVENS

Model:		DHW180
Maximale waterstroomsnelheid ^{*1} [Tankwatertoevoer / waterleidingtoevoer]		3,0 / 5,3 l/min
Waterstroomsnelheid ^{*2}	Hogedrukfunctie	2,5 l/min
	Lagedrukfunctie	1,5 l/min
Max. bedrijfsdruk		2,4 MPa
Bedrijfsdruk ^{*2}	Hogedrukfunctie [Tankwatertoevoer / waterleidingtoevoer]	2,0 / 2,2 MPa
	Lagedrukfunctie [Tankwatertoevoer / waterleidingtoevoer]	0,8 / 0,8 MPa
Max. aanvoerdruk		0,5 MPa
Max. aanvoertemperatuur		40 °C
Max. aanzuighoogte		2,0 m
Nominale spanning		18 V gelijkspanning
Afmetingen ^{#3} [l x b x h]		888 mm x 99 mm x 239 mm
Gewicht		2,3 - 2,7 kg

*1: Zonder spuitlans

*2: Spuitpatroon 15°

*3: Met 5-in-1-spuitlans en verlengstuk

- In verband met ononderbroken research en ontwikkeling, behouden wij ons het recht voor de bovenstaande technische gegevens zonder voorafgaande kennisgeving te wijzigen.
- De technische gegevens kunnen van land tot land verschillen.
- Het gewicht kan verschillen afhankelijk van de hulpstukken, waaronder de accu. De lichtste en zwaarste combinaties worden vermeld in de tabel.

Toepasselijke accu's en laders

Accu	BL1815N / BL1820B / BL1830B / BL1840B / BL1850B / BL1860B
Lader	DC18RC / DC18RD / DC18RE / DC18SD / DC18SE / DC18SF / DC18SH / DC18WC

- Sommige van de hierboven vermelde accu's en laders zijn mogelijk niet leverbaar afhankelijk van waar u woont.

⚠ WAARSCHUWING: Gebruik uitsluitend de accu's en laders die hierboven worden genoemd. Gebruik van enige andere accu of lader kan leiden tot letsel en/of brand.

⚠️ WAARSCHUWING: Gebruik geen bekabelde voeding, zoals een accuadapter of draagbare voedingseenheid met dit gereedschap. De kabel van een dergelijke voeding kan het gebruik hinderen waardoor persoonlijk letsel wordt veroorzaakt.

Symbolen

Hieronder staan de symbolen die voor het gereedschap kunnen worden gebruikt. Zorg ervoor dat u de betekenis ervan kent voordat u het gereedschap gaat gebruiken.



Lees de gebruiksaanwijzing.



Wees vooral voorzichtig en let goed op.



Alleen voor EU-landen
Als gevolg van de aanwezigheid van schadelijke componenten in het apparaat, kunnen oude elektrische en elektronische apparaten, accu's en batterijen negatieve gevolgen hebben voor het milieu en de gezondheid van mensen.
Gooi elektrische en elektronische apparaten en accu's niet met het huisvuil weg! In overeenstemming met de Europese richtlijn inzake oude elektrische en elektronische apparaten en inzake accu's en batterijen, alsmede de toepassing daarvan binnen de nationale wetgeving, dienen oude elektrische apparaten, accu's en batterijen gescheiden te worden opgeslagen en te worden ingeleverd bij een apart inzamelingspunt voor huishoudelijk afval dat de milieubeschermingsvoorschriften in acht neemt.
Dit wordt op het apparaat aangegeven door het symbool van een doorgekruiste afvalcontainer.



Sluit niet aan op een drinkwaterkraan.



Richt de straal niet op personen, inclusief uzelf, dieren en stroomvoerende elektrische apparaten.

Gebruiksdoelinden

Dit gereedschap is bedoeld om vuil te verwijderen met behulp van een waterstraal voor huishoudelijk gebruik. Door de verschillende spuitpatronen kan met dit gereedschap het wassen, maar ook het sproeien van uw tuin worden verbeterd.

VEILIGHEIDSWAARSCHUWINGEN

BELANGRIJKE VEILIGHEIDSWAARSCHUWINGEN

⚠️ WAARSCHUWING: Lees alle veiligheids-waarschuwingen en alle instructies. Het niet volgen van de waarschuwingen en instructies kan leiden tot elektrische schokken, brand en/of ernstig letsel.

Bewaar alle waarschuwingen en instructies om in de toekomst te kunnen raadplegen.

WAARSCHUWING - Bij het gebruik van dit apparaat, moeten basisverzorgingsmaatregelen altijd worden genomen, waaronder de volgende:

Veiligheid op de werkplek

1. Houd iedereen weg uit het werkgebied.
2. Reik niet te ver en sta niet op een onstabiele ondergrond. Zorg altijd voor een goede stand en lichaamsbalans.
3. Plaats de waterspuit altijd op een horizontale en stabiele ondergrond. Vermijd daarbij plaatsen waar het spuitwater wegloopt of zich verzamelt.
4. Alvorens te reinigen, controleert u de omgeving en voorwerpen die moeten worden gereinigd. De waterstraal kan een verlaag of andere oppervlaktebehandeling verwijderen, waaronder giftige chemicaliën. Tref zo nodig preventieve maatregelen.
5. Wees voorzichtig dat u niet over de slang van de waterspuit struikelt. Houd tijdens gebruik altijd in de gaten waar de slang ligt.
6. Tijdens gebruik komt er een kleine hoeveelheid water uit de onderkant van de waterspuit. Wees voorzichtig het gereedschap niet te gebruiken boven plaatsen waarvan u niet wilt dat deze nat worden.

Persoonlijke veiligheid

1. Als bescherming tegen de straal en weggespoten voorwerpen moeten gebruikers geschikte beschermingsmiddelen gebruiken, zoals beschermende kleding, veiligheidsschoenen, veiligheidshandschoenen, een veiligheidshelm met vizier, gehoorbescherming, enz.
2. Gebruik persoonlijke-beschermingsmiddelen. Afhankelijk van de toepassing gebruikt u een spatscherm of veiligheidsbril aangezien oogbescherming in staat is om rondvliegend vuil tegen te houden dat door diverse werkzaamheden kan worden gegenereerd.
3. Gebruik de waterspuit niet binnen bereik van personen, behalve indien zij beschermende

- kleding dragen.
4. Om de kans op letsel te verkleinen, dient streng toezicht te worden gehouden wanneer het apparaat in de buurt van kinderen wordt gebruikt.
 5. Als wordt aangesloten op het drinkwaterleidingnet, dient dit beveiligd te zijn tegen terugstromen.
 6. Water dat via de terugstroomkeerlep eruit stroomt, wordt geacht niet drinkbaar te zijn.

Elektrische veiligheid

1. Raak de accu's nooit met natte handen aan.
2. Gebruik het apparaat niet wanneer de belangrijke onderdelen van het apparaat beschadigd zijn, bijvoorbeeld een veiligheidsinrichting of de waterslangen.
3. Vermijd gevaarlijke omgevingen. Gebruik het gereedschap niet op vochtige of natte plaatsen en stel het niet bloot aan regen. Als water binnendringt in het gereedschap, wordt de kans op een elektrische schok groter.

Gebruik en verzorging van het elektrisch gereedschap

1. Lees alle instructies voordat u het apparaat gebruikt.
2. Weet hoe u de waterspuit moet stoppen en snel de druk kunt aflaten. Zorg dat u grondig vertrouwd bent met de bedieningsorganen.
3. Spuit geen brandbare en/of giftige vloeistoffen. Dit kan leiden tot een explosie, vergiftiging of schade aan het apparaat.
4. Richt de straal niet op uzelf of anderen om kleding of schoeisel te reinigen.
5. De waterslang, aansluitingen en koppelingen zijn belangrijk voor de veiligheid van het apparaat. Gebruik uitsluitend slangen, aansluitingen en koppelingen die worden aanbevolen door de fabrikant.
6. Volg de instructies wanneer u accessoires verwisselt.
7. Houd de handgrepen droog, schoon en vrij van olie en vet.
8. Blijf opletten - Kijk waar u mee bezig bent.
9. Gebruik het gereedschap niet wanneer u vermoeid bent of onder invloed van alcohol of drugs.
10. Schakel de waterspuit niet in zonder dat water wordt toegevoerd gedurende langer dan één minuut. Hierdoor zal de motor beschadigd worden waardoor een storing optreedt.
11. Schakel het apparaat altijd uit en sluit de watertoevoer wanneer u de waterspuit ongeheerd achterlaat.
12. Wees bedacht op de terugslag. Het apparaat slaat terug wanneer de waterstraal uit de spuitmond komt. Houd het apparaat stevig vast om letsel te voorkomen.
13. Controleer op beschadigde of versleten onderdelen vóór gebruik. Verzeker u er tevens van dat de slang correct is aangesloten en tijdens gebruik niet lekt. Het gebruik van een gebrekkig werkend apparaat, kan leiden tot ongevallen.

14. Trek niet aan de slang om de waterspuit te verplaatsen. Hierdoor zal de slang en aangesloten onderdelen worden beschadigd, en zal kortsluiting of een defect ontstaan.
15. Plaats geen zware voorwerpen op de slang en laat er geen voertuigen over rijden.
16. Laat altijd de restdruk in het apparaat af voordat u de slang loskoppelt.
17. Wanneer u de slang aansluit op het waterleidingnet, houdt u zich aan de instructies van het waterleidingbedrijf.
18. Als de waterspuit valt of tegen een hard voorwerp wordt gestoten, moet u hem controleren op beschadigingen en barsten. Het gebruik van een beschadigde waterspuit kan leiden tot rookontwikkeling, brand of een elektrische schok, waardoor persoonlijk letsel kan ontstaan.
19. Voorkom onbedoeld starten. Controleer of de schakelaar in de uit-stand staat alvorens de accu aan te brengen, het apparaat op te pakken of te dragen. Door het apparaat te dragen met uw vinger op de schakelaar, of door het apparaat op een voeding aan te sluiten terwijl de schakelaar aan staat, neemt de kans op ongevallen sterk toe.
20. Haal de accu uit het apparaat voordat u afstellingen maakt, hulpstukken vervangt, of het apparaat opbergt. Dergelijke preventieve veiligheidsmaatregelen verkleinen de kans dat het apparaat per ongeluk wordt ingeschakeld.
21. Probeer niet het apparaat of de accu te wijzigen of te repareren, behalve zoals aangegeven in de instructies voor gebruik en verzorging.
22. **WAARSCHUWING** - Gevaar van inspuiting of letsel - Richt de waterstraal niet op personen.
23. Verzeker u er altijd van dat een voorwerp of oppervlak dat u wilt reinigen bestand is tegen de waterstraal. Anders kan het voorwerp of oppervlak worden beschadigd wat kan leiden tot persoonlijk letsel.

Gebruik en verzorging van gereedschap dat op een accu werkt

1. **Laad alleen op met de acculader aanbevolen door de fabrikant.** Een acculader die geschikt is voor een bepaald type accu, kan brandgevaar opleveren indien gebruikt met een ander type accu.
2. **Gebruik elektrisch gereedschap uitsluitend met de daarvoor bestemde accu.** Gebruik van andere accu's kan gevaar voor letsel of brandgevaar opleveren.
3. **Als de accu niet wordt gebruikt, houdt u deze uit de buurt van metalen voorwerpen, zoals paperclips, muntgeld, sleutels, spijkers, schroeven en andere kleine metalen voorwerpen die een kortsluiting kunnen veroorzaken tussen de accupolen.** Kortsluiting tussen de accupolen kan leiden tot brandwonden of brand.
4. **Onder zware gebruiksomstandigheden kan vloeistof uit de accu komen. Voorkom aanraking!** Als u er per ongeluk mee in aanraking komt, spoelt u het er met water af. Als de vloeistof in uw ogen komt, raadpleegt u tevens een arts. Vloeistof uit de accu kan irritatie en brandwonden veroorzaken.

5. **Gebruik geen accu of gereedschap dat beschadigd of gewijzigd is.** Beschadigde of gewijzigde accu's kunnen onvoorspelbaar gedrag vertonen dat kan leiden tot brand, explosie of gevaar van letsel.
6. **Stel een accu of gereedschap niet bloot aan vuur of buitensporige temperaturen.** Blootstelling aan vuur of temperaturen hoger dan 130 °C kunnen een explosie veroorzaken.
7. **Volg alle oplaadinstructies en laad de accu of het gereedschap niet op buiten het temperatuurbereik opgegeven in de instructies.** Verkeerd opladen of bij een temperatuur buiten het opgegeven bereik kan de accu beschadigen en de kans op brand vergroten.

Onderhoud en reparatie

1. **Volg de onderhoudsinstructies die in deze gebruiksaanwijzing worden gegeven.**
2. **Om de veiligheid van het apparaat te waarborgen, gebruikt u uitsluitend reserveonderdelen van de fabrikant of goedgekeurd door de fabrikant.**
3. **Laat uw waterspuit repareren door een vakbekwame reparateur met gebruikmaking van uitsluitend identieke vervangingsonderdelen.** Zo bent u ervan verzekerd dat de veiligheid van de waterspuit behouden blijft.
4. **In geval van een defect of storing van de waterspuit, schakelt u deze onmiddellijk uit en verwijdt u de accu('s).** Neem contact op met u uw plaatselijke dealer of servicecentrum.

Aanvullende veiligheidsvoorschriften

1. **Gebruik het gereedschap niet wanneer de kans op bliksem bestaat.**
2. **Als u het gereedschap op een modderige ondergrond, natte helling of gladde plaats gebruikt, let u erop dat u stevig staat.**
3. **Vermijd werken in een ongunstige omgeving waarin een verhoogde vermoeidheid van de gebruiker kan worden verwacht.**
4. **Vervang de accu niet in de regen.**
5. **Dompel het gereedschap niet onder in een waterplas.**
6. **Wanneer u het gereedschap opbergt, vermijdt u direct zonlicht en regen, en bergt u het op een plaats op die niet heet of vochtig wordt.**
7. **Nadat u het gereedschap hebt gebruikt, verwijdt u het aanklevende vuil en laat u het gereedschap volledig drogen voordat u hem opbergt.** Afhankelijk van het seizoen of gebied, bestaat de kans op een storing als gevolg van bevriezing.
8. **Laat de aansluitpunten van de accu niet nat worden met een vloeistof, zoals water, en dompel de accu niet onder. Laat de accu niet in de regen liggen en laad of berg de accu niet op een vochtige of natte plaats op.** Als de aansluitpunten nat worden of vloeistof binnendringt in de accu, kan kortsluiting ontstaan in de accu en bestaat de kans op oververhitting, brand of explosie.
9. **Nadat de accu vanaf het gereedschap of de acculader is verwijderd, vergeet u niet het accudeksel op de accu te bevestigen en deze**

op een droge plaats op te bergen.

10. **Vervang de accu niet met natte handen.**
11. **Als het apparaat bevroren is als gevolg van koud weer, neemt u contact op met een erkend servicecentrum voor reparatie.**
12. **Gebruik geen bekabelde voeding, zoals een accuadapter of draagbare voedingseenheid met dit apparaat.** De kabel van een dergelijke voeding kan het gebruik hinderen waardoor persoonlijk letsel wordt veroorzaakt.

BEWAAR DEZE VOORSCHRIFTEN.

⚠️WAARSCHUWING: Laat u NIET misleiden door een vals gevoel van comfort en bekendheid met het gereedschap (na veelvuldig gebruik) en neem alle veiligheidsvoorschriften van het betreffende gereedschap altijd strikt in acht. **VERKEERD GEBRUIK** of het niet naleven van de veiligheidsvoorschriften in deze gebruiksaanwijzing kan leiden tot ernstige verwondingen.

Belangrijke veiligheidsinstructies voor een accu

1. **Lees alle voorschriften en waarschuwingen op (1) de acculader, (2) de accu, en (3) het product waarvoor de accu wordt gebruikt, alvorens de accu in gebruik te nemen.**
2. **Haal de accu niet uit elkaar en saboteer hem niet.** Dit kan leiden tot brand, buitensporige hitte of een explosie.
3. **Als de gebruikstijd van een opgeladen accu aanzienlijk korter is geworden, moet u het gebruik ervan onmiddellijk stopzetten.** Voortgezet gebruik kan oververhitting, brandwonden en zelfs een ontploffing veroorzaken.
4. **Als elektrolyt in uw ogen is terechtgekomen, spoelt u uw ogen met schoon water en roept u onmiddellijk de hulp van een dokter in.** Elektrolyt in de ogen kan blindheid veroorzaken.
5. **Vorkom kortsluiting van de accu:**
 - (1) **Raak de accuklemmen nooit aan met een geleidend materiaal.**
 - (2) **Bewaar de accu niet in een bak waarin andere metalen voorwerpen zoals spijkers, munten e.d. worden bewaard.**
 - (3) **Stel de accu niet bloot aan water of regen.** Kortsluiting van de accu kan oorzaak zijn van een grote stroomafgifte, oververhitting, brandwonden, en zelfs defecten.
6. **Bewaar en gebruik het gereedschap en de accu niet op plaatsen waar de temperatuur kan oplopen tot 50 °C of hoger.**
7. **Werp de accu nooit in het vuur, ook niet wanneer hij zwaar beschadigd of volledig versleten is. De accu kan ontploffen in het vuur.**
8. **Laat de accu niet vallen, sla er geen spijker in, snijd er niet in, gooi er niet mee en stoot hem niet tegen een hard voorwerp.** Dergelijke handelingen kunnen leiden tot brand, buitensporige hitte of een explosie.

9. **Gebruik nooit een beschadigde accu.**
10. **De bijgeleverde lithium-ionbatterijen zijn onderhevig aan de vereisten in de wetgeving omtrent gevaarlijke stoffen.**
 Voor commercieel transport en dergelijke door derden en transporteurs moeten speciale vereisten ten aanzien van verpakking en etikettering worden nageleefd.
 Als voorbereiding van het artikel dat wordt getransporteerd is het noodzakelijk een expert op het gebied van gevaarlijke stoffen te raadplegen. Houd u tevens aan mogelijk strengere nationale regelgeving.
 Blootliggende contactpunten moeten worden afgedekt met tape en de accu moet zodanig worden verpakt dat deze niet kan bewegen in de verpakking.
11. **Wanneer u de accu wilt weggooien, verwijdert u de accu vanaf het gereedschap en gooit u hem op een veilige manier weg. Volg bij het weggooien van de accu de plaatselijke voorschriften.**
12. **Gebruik de accu's uitsluitend met de gereedschappen die door Makita zijn aanbevolen.** Als de accu's worden aangebracht in niet-compatibele gereedschappen, kan dat leiden tot brand, buitensporige warmteontwikkeling, een explosie of lekkage van elektrolyt.
13. **Als u het gereedschap gedurende een lange tijd niet denkt te gaan gebruiken, moet de accu vanaf het gereedschap worden verwijderd.**
14. **Tijdens en na gebruik, kan de accu heet worden waardoor brandwonden of koude brandwonden kunnen worden veroorzaakt. Wees voorzichtig bij het hanteren van een hete accu.**
15. **Raak de aansluitpunten van het gereedschap niet onmiddellijk na gebruik aan omdat deze heet genoeg kunnen zijn om brandwonden te veroorzaken.**
16. **Zorg ervoor dat geen steenslag, stof of grond vast komt te zitten op/in de aansluitpunten, openingen en groeven van de accu.** Hierdoor kan oververhitting, brand, een barst en een storing in het gereedschap of de accu ontstaan waardoor brandwonden of persoonlijk letsel kunnen ontstaan.
17. **Behalve indien gebruik van het gereedschap is toegestaan in de buurt van hoogspanningsleidingen, mag u de accu niet gebruiken in de buurt van een hoogspanningsleiding.** Dit kan leiden tot een storing of een defect van het gereedschap of de accu.
18. **Houd de accu uit de buurt van kinderen.**

BEWAAR DEZE INSTRUCTIES.

⚠ LET OP: Gebruik uitsluitend originele Makita accu's. Het gebruik van niet-originele accu's, of accu's die zijn gewijzigd, kan ertoe leiden dat de accu ontploft en brand, persoonlijk letsel en schade veroorzaakt. Ook vervalt daarmee de garantie van Makita op het gereedschap en de lader van Makita.

Tips voor een maximale levensduur van de accu

1. **Laad de accu op voordat hij volledig ontladen is. Stop het gebruik van het gereedschap en laad de accu op telkens wanneer u vaststelt dat het vermogen van het gereedschap is afgenomen.**
2. **Laad een volledig opgeladen accu nooit opnieuw op. Te lang opladen verkort de levensduur van de accu.**
3. **Laad de accu op bij een omgevingstemperatuur tussen 10 °C en 40 °C. Laat een warme accu afkoelen alvorens hem op te laden.**
4. **Als de accu niet wordt gebruikt, verwijdert u hem vanaf het gereedschap of de lader.**
5. **Laad de accu op als u deze gedurende een lange tijd (meer dan zes maanden) niet gaat gebruiken.**

BESCHRIJVING VAN DE FUNCTIES

⚠ LET OP: Zorg altijd dat het gereedschap is uitgeschakeld en de accu ervan is verwijderd alvorens de functies op het gereedschap af te stellen of te controleren.

De accu aanbrengen en verwijderen

⚠ LET OP: Schakel het gereedschap altijd uit voordat u de accu aanbrengt of verwijdert.

⚠ LET OP: Houd het gereedschap en de accu stevig vast tijdens het aanbrengen of verwijderen van de accu. Als u het gereedschap en de accu niet stevig vasthoudt, kunnen deze uit uw handen glijpen en het gereedschap of de accu beschadigen, of kan persoonlijk letsel worden veroorzaakt.

⚠ LET OP: Wees voorzichtig bij het sluiten of openen van het accudeksel dat uw vingers niet bekneld raken.

Houd op de vergrendelknop ingedrukt en open het deksel.

► Fig.1: 1. Deksel 2. Vergrendelknop

Lijn de lip op de accu uit met de groef in de behuizing en duw de accu op zijn plaats. Steek hem helemaal erin tot hij op zijn plaats wordt vergrendeld met een klikgeluid. Wanneer het rode deel zichtbaar is, zoals aangegeven in de afbeelding, is de accu niet geheel vergrendeld.

► Fig.2: 1. Rood deel 2. Knop 3. Accu

Na het aanbrengen of verwijderen van de accu's, vergeet u niet het deksel te sluiten.

Om de accu te verwijderen, opent u het deksel, houdt u de knop op de voorkant van de accu ingedrukt en schuift u de accu van het gereedschap af. Sluit daarna het deksel.

⚠ LET OP: Breng de accu altijd helemaal aan totdat het rode deel niet meer zichtbaar is. Als u dit niet doet, kan de accu per ongeluk uit het gereedschap vallen en u of anderen in uw omgeving verwonden.

⚠ LET OP: Breng de accu niet met kracht aan. Als de accu niet gemakkelijk in het gereedschap kan worden geschoven, wordt deze niet goed aangebracht.

⚠ LET OP: Vergeet niet het deksel te vergrendelen voordat u het apparaat gebruikt.

Gereedschap-/accubeveiligingssysteem

Het gereedschap is voorzien van een gereedschap-/accubeveiligingssysteem. Dit systeem schakelt automatisch de voeding naar de motor uit om de levensduur van het gereedschap en de accu te verlengen. Het gereedschap kan automatisch stoppen en dit aangeven als het gereedschap of de accu aan één van de volgende omstandigheden wordt blootgesteld:

► Fig.3: 1. Indicator

Overbelastingsbeveiliging

Wanneer het gereedschap of de accu wordt gebruikt op een manier waardoor een abnormaal hoge stroom wordt getrokken, stopt het gereedschap automatisch en brandt de rode indicator. Schakel in die situatie het gereedschap uit en stop het gebruik dat ertoe leidde dat het gereedschap overbelast raakte. Schakel vervolgens het gereedschap in om het weer te starten.

Oververhittingsbeveiliging

Wanneer het gereedschap of de accu oververhit is, stopt het gereedschap automatisch en brandt de rode indicator. In die situatie laat u het gereedschap eerst afkoelen voordat u het gereedschap opnieuw inschakelt.

Beveiliging tegen te ver ontladen

Als de acculading laag is, knippert de rode indicator. Wanneer de accu bijna leeg is, stopt het gereedschap automatisch en brandt de rode indicator. Verwijder in dat geval de accu vanaf het gereedschap en laad de accu op.

Beveiliging tegen andere oorzaken

Het beveiligingssysteem is ook ontworpen voor andere oorzaken die het gereedschap kunnen beschadigen, en zorgt ervoor dat het gereedschap automatisch stopt. Voer alle volgende stappen uit om de oorzaken op te heffen, wanneer het gereedschap tijdelijk is onderbroken of tijdens het gebruik is gestopt.

1. Schakel het gereedschap uit en schakel het daarna weer in om het opnieuw te starten.
2. Laad de accu(s) op of vervang hem/ze door (een) opgeladen accu(s).
3. Laat het gereedschap en de accu(s) afkoelen.

Als geen verbetering optreedt nadat het beveiligingssysteem is gereset, neemt u contact op met uw lokale

Makita-servicecentrum.

KENNISGEVING: Als het gereedschap stopt als gevolg van een oorzaak die niet hierboven wordt beschreven, raadpleegt u het hoofdstuk **Problemen oplossen**.

De resterende acculading controleren

Alleen voor accu's met indicatorlampjes

Druk op de testknop op de accu om de resterende acculading te zien. De indicatorlampjes branden gedurende enkele seconden.

► Fig.4: 1. Indicatorlampjes 2. Testknop

Indicatorlampjes			Resterende acculading
Brandt	Uit	Knippert	
■	□	▩	75% tot 100%
■	■	□	50% tot 75%
■	□	□	25% tot 50%
■	□	□	0% tot 25%
▩	□	□	Laad de accu op.
■	■	□	Er kan een storing zijn opgetreden in de accu.
□	□	■	

OPMERKING: Afhankelijk van de gebruiksomstandigheden en de omgevingstemperatuur, is het mogelijk dat de aangegeven acculading verschilt van de werkelijke acculading.

OPMERKING: Het eerste (meest linker) indicatorlampje knippert wanneer het accubeveiligingssysteem in werking is getreden.

Waterdrukfunctieschakelaar

Selecteer de gewenste waterdrukfunctie door de schakelaar naar voren of achteren te verschuiven. Schuif de schakelaar naar achteren voor de lagedrukfunctie zodat het cijfer "1" zichtbaar is op de schakelaar. Schuif de schakelaar naar voren voor de hogedrukfunctie zodat het cijfer "2" zichtbaar is op de schakelaar.

► Fig.5: 1. Lagedrukfunctie (1) 2. Hogedrukfunctie (2) 3. Waterdrukfunctieschakelaar

Trekverschakelaar

De waterspuit is uitgerust met een veiligheidsvergrendeling op de trekker. Om de vergrendeling van de trekker op te heffen, duwt u de vergrendelknop in de trekker zodat deze vlak ligt met het oppervlak van de trekker.

Knijp de trekverschakelaar in om een waterstraal te spuiten. De straal wordt continu gespoten zo lang de trekker ingeknepen wordt gehouden.

► **Fig.6:** 1. Trekkerschakelaar 2. Vergrendelknop

Duw de vergrendelknop van binnenin de trekker naar buiten om de trekker te vergrendelen. Verzeker u ervan de trekker te vergrendelen wanneer de waterspuit niet in gebruik is.

► **Fig.7:** 1. Trekkerschakelaar 2. Vergrendelknop

Spuitlansfuncties

De 5-in-1-spuitlans heeft verschillende spuitpatronen om uit te kiezen afhankelijk van wat u wilt schoonspuiten. Door de vijf meestgebruikte spuitpatronen te combineren in één spuitlans, hoeft u niet meer de ene door de andere te vervangen. Draai hem gewoon naar het gewenste spuitpatroon voor uw taak.

Eenvoudig wisselen tussen spuitpatronen: 0°, 15°, 25°, 40° en broes

► **Fig.8**

- **Fig.9:** 1. Symbool van spuitpatroon
2. Driehoek-markering

Draai de kop van de spuitlans linksom of rechtsom naar de stand van het gewenste spuitpatroon. Lijn het symbool van het gewenste spuitpatroon nauwkeurig uit met de driehoek-markering zodat de kop van de spuitlans met een klik wordt vergrendeld.

► **Fig.10**

KENNISGEVING: Wees voorzichtig de kop van de spuitlans niet tussen twee klikstops in te zetten. Het gereedschap kan in dat geval een onregelmatig spuitpatroon geven waardoor waterlekage ontstaat.

LET OP: Probeer om de spuitlans zelf niet te draaien wanneer u de kop van de spuitlans draait naar een gewenst spuitpatroon. Hierdoor kan de spuitlans los raken van het gereedschap en persoonlijk letsel veroorzaken.

Veiligheidsventiel

Dit gereedschap is uitgerust met een veiligheidsventiel die ongewenste overdruk voorkomt.

LET OP: Probeer niet het veiligheidsventiel te manipuleren, en verander de instelling ervan niet.

MONTAGE

LET OP: Zorg altijd dat het gereedschap is uitgeschakeld en de accu ervan is verwijderd alvorens enig werk aan het gereedschap uit te voeren.

De spuitlans en het verlengstuk aanbrengen

LET OP: Vergrendel altijd de trekkerschakelaar voordat u een spuitlans of verlengstuk aanbrengt/verwijdert.

Spuitlans

Lijn de uitsteeksel op het uiteinde van de spuitlans uit met de vergrendel sleuven in het gereedschapshuis. Duw de spuitlans helemaal erin tot de twee driehoek-markeringen op de spuitlans en het gereedschapshuis tegenover elkaar staan. Draai daarna de spuitlans in de richting aangegeven in de afbeelding om hem te vergrendelen.

Nadat u de spuitlans hebt aangebracht, probeert u hem terug te trekken om er zeker van te zijn dat hij goed op zijn plaats is vergrendeld.

- **Fig.11:** 1. Spuitlans 2. Uitsteeksel
3. Vergrendelsleuf 4. Driehoekmarkeringen
5. 'Buikvin'-vormig uitsteeksel

OPMERKING: Zorg ervoor dat het 'buikvin'-vormig uitsteeksel naar onderen is gericht.

Om de spuitlans te verwijderen, duwt u de spuitlans in de richting van het gereedschapshuis en draait u het linksom tot de twee driehoekmarkering tegenover elkaar staan. Trek de spuitlans van het gereedschapshuis af nadat deze is ontgrendeld.

Verlengstuk voor de spuitlans

Water geven op moeilijk bereikbare plaatsen. Breng het verlengstuk voor de spuitlans aan tussen het gereedschapshuis en de spuitlans door dezelfde stappen te volgen zoals beschreven voor het aanbrengen van de spuitlans.

- **Fig.12:** 1. Verlengstuk voor de spuitlans
2. Gereedschapshuis 3. Spuitlans
4. Uitsteeksel 5. Vergrendelsleuven
6. Driehoekmarkeringen

Om het verlengstuk/de spuitlans te verwijderen, duwt u het verlengstuk/de spuitlans in de richting van het verlengstuk/gereedschapshuis en draait u hem linksom tot de twee driehoekmarkering tegenover elkaar staan. Trek het verlengstuk/de spuitlans van het gereedschapshuis/verlengstuk af nadat deze is ontgrendeld.

Aansluiten op tankwatertoevoer

KENNISGEVING: Gebruik altijd de waterslang en inlaatzeef die bij dit gereedschap werden geleverd voor het toevoeren van water.

KENNISGEVING: Zorg ervoor dat de inlaatzeef van de waterspuit 2,0 m of minder lager staat dan het wateroppervlak. Anders zal de waterspuit niet in staat zijn het water aan te zuigen naar de pomp.

KENNISGEVING: Verzeker u ervan dat de watertank is gevuld met minimaal 25 mm water en dat de inlaatzeef volledig onder water ligt.

Het water kan worden aangevoerd vanuit een tank/bak/reservoir van elk formaat.

Het toevoeren van water uit een tank is van toepassing in situaties, zoals het wassen van uw auto, sproeien

van uw tuin, enz., waarin u de waterspuit wilt gebruiken zonder dat water ter plaatse beschikbaar is, maar van elders moet worden aangevoerd.

1. Bevestig de inlaatzeef aan één uiteinde van de waterslang.

Steek de uitlaat van de inlaatzeef in het koppelstuk en duw hem erin totdat de inlaatzeef op zijn plaats wordt vergrendeld.

► **Fig.13:** 1. Inlaatzeef 2. Koppelstuk 3. Waterslang

2. Leg de inlaatzeef op de bodem van de watertank.

► **Fig.14:** 1. Inlaatzeef 2. Waterslang 3. Slanghaak

OPMERKING: Hang de waterslang aan de rand van de tank met behulp van de bijgeleverde slanghaak zodat de inlaatzeef stil blijft liggen op de bodem van de watertank.

3. Sluit het andere uiteinde van de waterslang aan op de waterslangaansluiting van de waterspuit.

Steek het koppelstuk over de inlaat van de waterslangaansluiting en duw hem erop totdat het koppelstuk op zijn plaats wordt vergrendeld.

► **Fig.15:** 1. Koppelstuk 2. Waterslangaansluiting

⚠ALLET OP: Verzeker u ervan dat de hogedrukslang stevig aangesloten is. Bij een losse aansluiting kan de hogedrukslang eraf geperst worden waardoor persoonlijk letsel kan ontstaan.

KENNISGEVING: Vul de waterslang en waterspuit van tevoren met water in gevallen waarin water vanaf een bepaalde diepte moet worden aangezogen in de hogedrukfunctie.

Aansluiten op het waterleidingnetwerk

⚠ALLET OP: Gebruik altijd de waterslang die bij dit gereedschap werd geleverd voor het toevoeren van water.

KENNISGEVING: Als u aansluit op het drinkwaterleidingnet, gebruikt u een terugstroomkeerklep die voldoet aan de regelgeving in uw land.

KENNISGEVING: Zorg voor een toevoerdruk van het inlaatwater van minder dan 0,5 MPa voor een goede toevoer. Overschrijdt de maximale toevoerdruk niet omdat hierdoor waterlekage kan ontstaan nadat het gereedschap is uitgeschakeld.

Water kan worden toegevoerd vanuit het waterleidingnetwerk dat beschikbaar is op de plaats waar u het gereedschap gebruikt.

Een continue watertoevoer zorgt ervoor dat u niet steeds een watertank hoeft bij te vullen en u efficiënt kunt reinigen en sproeien, bijvoorbeeld lokaal reinigen, afspoelen en sproeien van een groot oppervlak grasveld of siertuin.

1. Sluit de waterslang aan op de kraan.

Gebruik een geschikte bevestiging, zoals een kraanaansluiting, om het uiteinde van de waterslang te bevestigen aan de kraan.

► **Fig.16:** 1. Kraanaansluiting 2. Koppelstuk 3. Waterslang

OPMERKING: Het type bevestiging is afhankelijk van de vorm van de kraan waaraan de waterslang wordt bevestigd. Bereid een geschikte, in de winkel verkrijgbare, bevestiging voor.

2. Sluit het andere uiteinde van de waterslang aan op de waterslangaansluiting van de waterspuit.

Steek het koppelstuk over de inlaat van de waterslangaansluiting en duw hem erop totdat het koppelstuk op zijn plaats wordt vergrendeld.

► **Fig.17:** 1. Koppelstuk 2. Waterslangaansluiting

De schuimsproeier aanbrengen

Optioneel accessoire

⚠ALLET OP: Vergrendel altijd de trekkerschakelaar voordat u een optioneel hulpstuk aanbrengt/verwijdert.

KENNISGEVING: Gebruik uitsluitend een neutraal reinigingsmiddel. Gebruik geen huishoudreinigingsmiddelen, zure reinigingsmiddelen, alkalische reinigingsmiddelen, bleekmiddelen, oplosmiddelen, ontvlambare materialen of industriële oplossingen omdat deze uw gereedschap of eigendommen kunnen beschadigen. Bereid de reinigingsoplossing voor aan de hand van de instructies op reinigingsmiddelfles en test dit altijd van tevoren op een onopvallende plaats.

KENNISGEVING: Als een uiterst viskeus reinigingsmiddel wordt gebruikt, zal de spuitmond waarschijnlijk verstopt raken. Bij gebruik van een reinigingsmiddel met een hoge viscositeit, verdunt u het reinigingsmiddel door vóór gebruik water toe te voegen aan de fles.

OPMERKING: Wanneer u de schuimsproeier gebruikt, wordt het reinigingsmiddel in de fles verdund met water dat door het gereedschap wordt toegevoerd en gespoten. U hoeft het geconcentreerde reinigingsmiddel in de fles niet te verdunnen als dat niet nodig is. Pas de concentratie van het reinigingsmiddel aan overeenkomstig de gebruiksomstandigheden.

OPMERKING: Als de schuimsproeier op zijn zij wordt gehouden, kan het reinigingsmiddel eruit lopen.

Bereid het reinigingsmiddel voor voordat u de schuimsproeier gebruikt.

1. Vul de fles van de schuimsproeier met reinigingsmiddel. Bevestig de sproeikop op de fles met reinigingsmiddel en draai hem stevig vast.

2. Kantel de schuimsproeier om zijn uitsteeksels uit te lijnen met de vergrendelsleuven in het gereedschapshuis. Duw de schuimsproeier helemaal erin en houd hem op zijn plaats. Draai daarna de schuimsproeier in de richting aangegeven in de afbeelding om hem te vergrendelen.

► **Fig.18:** 1. Schuimsproeier 2. Fles 3. Uitsteeksel 4. Vergrendelsleuf

Nadat u de schuimsproeier hebt aangebracht, probeert u hem terug te trekken om er zeker van te zijn dat hij goed op zijn plaats is vergrendeld.

3. Draai de reinigingsmiddelknop om het aangezogen volume reinigingsmiddel aan te passen.

► **Fig.19:** 1. Reinigingsmiddelknop 2. Knop naar minimum 3. Knop naar maximum

Een optionele spuitlans aanbrengen

Optioneel accessoire

▲LET OP: Vergrendel altijd de trekkerschakelaar voordat u een optioneel hulpstuk aanbrengt/verwijdert.

Lijn de uitsteeksels van een optionele spuitlans uit met de vergrendelsleuven in het gereedschapshuis. Duw de schuimsproeier helemaal erin en houd hem op zijn plaats. Draai daarna de spuitlans in de richting aangegeven in de afbeelding om hem te vergrendelen.

Nadat u de spuitlans hebt aangebracht, probeert u hem terug te trekken om er zeker van te zijn dat hij goed op zijn plaats is vergrendeld.

► **Fig.20:** 1. Spuitlans 2. Uitsteeksel 3. Vergrendelsleuf

Om de spuitlans te verwijderen, duwt u de spuitlans in de richting van het gereedschapshuis en draait u het linksom om de vergrendeling te ontgrendelen. Trek de spuitlans van de waterspuit af nadat deze is ontgrendeld.

De adapter voor een plastic fles aanbrengen

Optioneel accessoire

▲LET OP: Vergrendel altijd de trekkerschakelaar voordat u een optioneel hulpstuk aanbrengt/verwijdert.

▲LET OP: Verzeker u ervan de adapter voor een plastic fles stevig te bevestigen op de waterspuit en de plastic fles. Als u dit niet doet kan de fles vallen, waardoor persoonlijk letsel kan ontstaan.

OPMERKING: Sommige soorten plastic flessen kunnen niet worden aangebracht.

(Gebruik een plastic fles met schroefdraad met een buitendiameter van 28 mm (1-1/8").)

OPMERKING: Gebruik bij voorkeur een plastic fles van 2 liter (een halve gallon) voor het toevoeren van water.

1. Vul de plastic fles met water.
2. Steek de aanzuigslang in de opening van de plastic fles.
3. Bevestig de adapter op de fles door de moer van het koppelstuk erop te draaien.
4. Bevestig de adapter voor een plastic fles op de waterslangaansluiting van de waterspuit.

Steek het koppelstuk over de inlaat van de waterslangaansluiting en duw hem erop totdat het koppelstuk op zijn plaats wordt vergrendeld.

► **Fig.21:** 1. Adapter voor een plastic fles
2. Aanzuigslang 3. Plastic fles
4. Waterslangaansluiting

BEDIENING

▲WAARSCHUWING: Raak de hogedrukstraal niet aan en richt deze niet op uzelf of anderen. De hogedrukstraal is gevaarlijk en kan u of anderen pijn doen.

▲WAARSCHUWING: Houd nooit het voorwerp dat u wilt reinigen vast in uw handen terwijl u de hogedrukstraal erop richt, en houd uw handen en voeten uit de buurt van de hogedrukstraal.

▲LET OP: Schakel de waterspuit niet in zonder dat water wordt toegevoerd gedurende langer dan 1 minuut.

▲LET OP: Gebruik de waterspuit niet gedurende een lange tijd achter elkaar. Hierdoor kan oververhitting of brand ontstaan. Bovendien kan langdurig gebruik leiden tot letsel door trillingen.

▲LET OP: Let op de windrichting. Als het reinigingsmiddel in uw ogen of mond terecht komt, spoelt u deze onmiddellijk uit met schoon water en raadpleegt u zo nodig een arts.

KENNISGEVING: Om het mechanisme van de waterspuit te beschermen, mag u geen water warmer dan 40 °C (104°F) gebruiken.

KENNISGEVING: Gebruik geen ongezuiverd water, zoals rivierwater of vijverwater, en ook geen zanderig of modderig water. Ongefilterd, vuil water kan leiden tot afzetting van ongewenste materialen binnenin de pomp waardoor een storing kan ontstaan.

Wateropvoerhoogte

De verticale hoogte vanaf de waterbron tot aan de waterslangaansluiting van de waterspuit dient maximaal 2,0 meter te zijn.

Diepte van watervolume

Vul een watertank met een watervolume van meer dan 25 mm diep.

► **Fig.22:** 1. Wateropvoerhoogte 2. Diepte van watervolume

Basisbedieningsstappen

1. Sluit de inlaat van de waterslang aan op de watertoevoer.
 2. Sluit de uitlaat van de waterslang aan op de waterspuit.
- **Fig.23**

3. Als het restwater in de waterspuit eruit is gelopen sinds deze voor het laatst werd gebruikt, vult u eerst de waterslang en waterspuit met water.

Laat het water door de waterslang en de waterspuit lopen totdat alle lucht eruit is.

- (1) Verwijder de spuitlans vanaf de waterspuit.
- (2) Breng de accu aan op de waterspuit.
- (3) Selecteer de hogedrukfunctie.
- (4) Ontgrendel de trekkerschakelaar.
- (5) Houd de trekkerschakelaar ingeknepen totdat een stabiele waterstraal uit de waterspuit komt.

► **Fig.24:** 1. Waterdrukfunctieschakelaar

Nadat ingesloten lucht uit de waterspuit en waterslang zijn verdreven, laat u de trekkerschakelaar los.

Verwijder de accu vanaf de waterspuit en breng de spuitlans aan die geschikt is voor uw doel.

4. Open het deksel en breng de accu aan in de waterspuit en vergrendel daarna het deksel.

► **Fig.25:** 1. Accu 2. Deksel

⚠ LET OP: Wees voorzichtig bij het sluiten of openen van het accudeksel dat uw vingers niet bekneld raken.

5. Selecteer de gewenste waterdrukfunctie. Ontgrendel daarna de trekkerschakelaar.

► **Fig.26:** 1. Waterdrukfunctieschakelaar
2. Trekkerschakelaar 3. Vergrendelknop

6. Richt de kop van de spuitlans op de plaats waar u wilt spuiten of sproeien. Knijp de trekkerschakelaar in.

De waterstraal wordt continu gespoten zo lang de trekker ingeknepen wordt gehouden.

► **Fig.27**

► **Fig.28**

⚠ LET OP: Houd de waterspuit stevig vast. Het gereedschap genereert een terugslag zodra u de trekkerschakelaar inknijpt.

⚠ LET OP: Houd tijdens het spuiten van de hogedrukstraal de waterspuit altijd vast aan de handgreep en aan de loop.

Na gebruik

⚠ LET OP: Voer na gebruik van de waterspuit altijd de procedure uit die in deze gebruiksaanwijzing wordt beschreven. Restdruk in de waterspuit kan leiden tot persoonlijk letsel of beschadiging van de pomp.

1. Laat de trekkerschakelaar los en vergrendel deze met behulp van de vergrendelknop.

2. Koppel de waterslang los van de watertoevoer.

► **Fig.29**

3. Laat de trekkerschakelaar los en knijp deze in totdat al het restwater in de waterspuit en waterslang eruit is gelopen.

► **Fig.30**

KENNISGEVING: Laat de motor niet langer dan 1 minuut draaien.

4. Laat de trekkerschakelaar los en vergrendel deze met behulp van de vergrendelknop. Verwijder daarna

de accu vanaf de waterspuit.

► **Fig.31:** 1. Vergrendelknop 2. Accu

5. Koppel de waterslang los van de waterspuit.

► **Fig.32:** 1. Koppelstuk 2. Waterslangaansluiting

KENNISGEVING: Om te voorkomen dat de waterslang beschadigd raakt, laat u het achtergebleven water uit de slang lopen voordat u deze opbergt.

ONDERHOUD

⚠ LET OP: Zorg er altijd voor dat het gereedschap is uitgeschakeld en de accu is verwijderd voordat u een inspectie of onderhoud uitvoert.

KENNISGEVING: Gebruik nooit benzine, wasbenzine, thinner, alcohol en dergelijke. Hierdoor kunnen verkleuring, vervormingen en barsten worden veroorzaakt.

Om de VEILIGHEID en BETROUWBAARHEID van het gereedschap te handhaven, dienen alle reparaties, onderhoud of afstellingen te worden uitgevoerd bij een erkend Makita-servicecentrum of de Makita-fabriek, en altijd met gebruik van Makita-vervangingsonderdelen.

De spuitlans reinigen

Gebruik de reinigingsprikker, een zeer dunne ronde vijl, om opgehoopt vuil te verwijderen uit de spuitopeningen.

► **Fig.33:** 1. Reinigingsprikker 2. Spuitlans

OPMERKING: Om optimale prestaties te behouden, reinigt u de spuitlans regelmatig.

KENNISGEVING: Verwijder vuil of afval niet met grote kracht. Hierdoor kan persoonlijk letsel ontstaan of de spuitmond worden beschadigd waardoor de hogedrukstraal onder een afwijkende hoek wordt gespoten of de prestaties verslechteren.

De filters reinigen

Maak de waterslangaansluiting los van de waterspuit. Verwijder stof en vuil dat vastzit op het filter.

► **Fig.34:** 1. Waterslangaansluiting 2. Filter
3. Afdichtingsring

Haal de inlaatzeef uit elkaar door het filterhuis eruit te draaien. Verwijder stof en vuil dat vastzit op het filter.

► **Fig.35:** 1. Filter 2. Filterhuis

OPMERKING: Om optimale prestaties te behouden, reinigt u het filter regelmatig.

PROBLEMEN OPLOSSEN

Alvorens u verzoekt om reparatie, kunt u zelf als volgt het probleem opsporen en oplossen. Als u met een probleem kampt dat in deze handleiding niet wordt beschreven, probeer dan niet het gereedschap te demonteren. Laat reparaties over aan een erkend Makita-servicecentrum, uitsluitend met gebruik van originele

Probleemomschrijving	Waarschijnlijke oorzaak (storing)	Oplossing
Hogedrukreiniger start niet.	Geen elektriciteit	Breng een opgeladen accu aan.
	De trekkerschakelaar is vergrendeld.	Ontgrendel de trekkerschakelaar.
	Accu of elektrische circuit is beschadigd	Neem contact op met een erkend servicecentrum voor reparatie.
Geen/zwakke waterstraal	Geen aanvoerwater.	Zorg ervoor dat de kraan open staat. Als is aangesloten op tankwatertoevoer, vult u eerst de waterslang en waterspuit met water.
	Slecht aanvoer van water	Draai de kraan open.
	Slechte waterslangaansluiting	Controleer de aansluiting tussen de waterspuit en de waterkraan.
	Vervormde of versleten waterslang	Maak de slang recht. Vervang de beschadigde waterslang door een nieuwe.
	Verstopte waterslang of spuitlans	Ontstop de waterslang of spuitlans.
	Verstopte filters	Verwijder stof en vuil dat vastzit op de filters in de inlaatzeef en de waterslangaansluiting.
	Afvalwater/verontreinigd water	Reinig het watersysteem en vul het vervolgens met schoon water.
	Beschadigde of versleten spuitlans	Vervang de spuitlans.
	Pomp of ventiel defect	Neem contact op met een erkend servicecentrum voor reparatie.
	Loszittende waterkoppeling	Zet de verbinding tussen de waterslang en de koppelstukken vast.
	Lekkage bij de aansluiting op de watertoevoer	Zet de aansluiting tussen de waterslang en de waterkraan opnieuw vast.
	Onvoldoende aangebrachte inlaatzeef	Dompel de inlaatzeef volledig onderwater.
	Lagedrukfunctie in gebruik	Selecteer de hogedrukfunctie.
Instabiele hogedrukstraal	Verstopte spuitmond	Ontstop de spuitmond van de spuitlans met behulp van de reinigingsprikker.
	Slechte aanzuiging van water	Controleer de waterslang op eventuele lekkage of verstopping.
	Water is te heet.	Voer kouder water aan.
	Defect ventiel	Neem contact op met een erkend servicecentrum voor reparatie.
Abnormaal geluid	Water is te heet.	Voer kouder water aan.
Waterlekkage	Slechte aansluiting.	Controleer de aansluiting tussen de waterspuit en de waterkraan.
	Slechte bevestiging van de spuitlans	Dus de spuitlans helemaal erin. Draai daarna de spuitlans tot deze stevig is vergrendeld.
	De kop van de spuitlans staat in de verkeerde stand	Draai de kop van de spuitlans tot aan een klikstop waarbij een spuitpatroonsymbool duidelijk zichtbaar is.
	Versleten afdichtingen	Neem contact op met een erkend servicecentrum voor reparatie.

OPTIONELE ACCESSOIRES

⚠ LET OP: Deze accessoires of hulpstukken worden aanbevolen voor gebruik met het Makita gereedschap dat in deze gebruiksaanwijzing is beschreven. Bij gebruik van andere accessoires of hulpstukken bestaat het gevaar van persoonlijke letsel. Gebruik de accessoires of hulpstukken uitsluitend voor hun bestemde doel.

Wenst u meer bijzonderheden over deze accessoires, neem dan contact op met het plaatselijke Makita-servicecentrum.

OPMERKING: Sommige items op de lijst kunnen zijn inbegrepen in de doos van het gereedschap als standaard toebehoren. Deze kunnen van land tot land verschillen.

Schuimsproeier

► Fig.36

Reinigingsmiddel kan als een schuim worden gespoten.

Wasborstel

► Fig.37

Een lans uitgerust met een borstel. Dit is handig bij het gelijktijdig schrobben met de borstel en het afspoelen van vuil.

Schuine spuitlans

► Fig.38

Een schuine kop van de spuitlans kan 360 graden roteren en biedt manoeuvreerbaarheid en bereik zonder dode hoeken.

Adapter voor een plastic fles

► Fig.39

Pomp water gemakkelijk uit een plastic fles. Een plastic fles met water erin kan dienen als een waterbron.

ADVERTENCIA

- Los niños no deben usar el aparato. Los niños pequeños deberán ser supervisados para asegurarse de que no juegan con el aparato.
- Este aparato no ha sido previsto para ser utilizado por personas (incluidos niños) con capacidades físicas, sensoriales o mentales reducidas, o falta de experiencia y conocimiento, a menos que hayan sido supervisados e instruidos por una persona responsable de su seguridad sobre el uso del aparato.
- El agua a presión no deberá ser dirigida hacia personas, equipos eléctricos conectados a la corriente ni hacia el propio aparato.
- Asegúrese siempre de que el aparato está apagado y que el cartucho de batería ha sido retirado antes de realizar cualquier trabajo en el aparato.
- No utilice el aparato si partes importantes del mismo están dañadas, por ejemplo, dispositivos de seguridad, mangueras de presión, etc.
- Consulte las instrucciones de la sección de mantenimiento para ver los detalles apropiados de las precauciones durante el mantenimiento hecho por el usuario.
- Conozca el rango normal de temperatura para cargar la batería. Lea las instrucciones de seguridad para el cartucho de batería a fin de conocer las precauciones sobre el manejo de las baterías.
- Consulte las instrucciones de la sección de montaje para ver los detalles apropiados de las precauciones durante la instalación del aparato.
- Conozca la presión máxima del agua de entrada. Lea la información de la sección de especificaciones para ver los detalles apropiados sobre la conexión a la red de distribución de agua.
- Utilice siempre los juegos de manguera suministrados con el aparato. Lea las instrucciones de la sección de montaje para conocer las precauciones sobre la conexión a la red de distribución de agua.
- El orificio para llenado de agua no debe estar abierto durante la

utilización. Siga las instrucciones de la sección de montaje para mantener la presión del agua.

- No utilizar en piscinas que contengan agua.
- Cumpla con los requisitos de la compañía de suministro de agua local.
- Para países europeos:
De acuerdo con la normativa EN12729 (BA), el aparato también se puede conectar a la red de distribución de agua potable si a la manguera de suministro se conecta una válvula bloqueadora de reflujo con facilidad de drenaje.

ESPECIFICACIONES

Modelo:		DHW180
Caudal máximo ^{*1} [Agua de tanque / Agua de la red de distribución de agua]		3,0 / 5,3 L/min
Caudal de agua ^{*2}	Modo alto	2,5 L/min
	Modo bajo	1,5 L/min
Presión de trabajo máxima		2,4 MPa
Presión de trabajo ^{*2}	Modo alto [Agua de tanque / Agua de la red de distribución de agua]	2,0 / 2,2 MPa
	Modo bajo [Agua de tanque / Agua de la red de distribución de agua]	0,8 / 0,8 MPa
Presión de alimentación máxima		0,5 MPa
Temperatura de alimentación máxima		40°C
Altura de succión máxima		2,0 m
Tensión nominal		CC 18 V
Dimensiones ^{*3} [La x An x Al]		888 mm x 99 mm x 239 mm
Peso		2,3 - 2,7kg

*1 : Sin boquilla

*2 : Patrón de pulverización 15°

*3 : Con boquilla 5in1 y extensión

- Debido a nuestro continuado programa de investigación y desarrollo, las especificaciones aquí dadas están sujetas a cambios sin previo aviso.
- Las especificaciones pueden ser diferentes de país a país.
- El peso puede variar en función del accesorio o los accesorios, incluyendo el cartucho de batería. La combinación menos pesada y la más pesada se muestran en la tabla.

Cartucho de batería y cargador aplicables

Cartucho de batería	BL1815N / BL1820B / BL1830B / BL1840B / BL1850B / BL1860B
Cargador	DC18RC / DC18RD / DC18RE / DC18SD / DC18SE / DC18SF / DC18SH / DC18WC

- Algunos de los cartuchos de batería y cargadores indicados arriba puede que no estén disponibles dependiendo de su región de residencia.

⚠ ADVERTENCIA: Utilice solamente los cartuchos de batería y cargadores listados arriba. La utilización de cualquier otro cartucho de batería y cargador puede ocasionar heridas y/o un incendio.

⚠️ ADVERTENCIA: No utilice un suministro de alimentación con cable como un adaptador de batería o unidad portátil de alimentación eléctrica con esta máquina. El cable de tal suministro de alimentación puede dificultar la operación y resultar en heridas personales.

Símbolos

A continuación se muestran los símbolos que pueden ser utilizados para el equipo. Asegúrese de que entiende su significado antes de utilizar.



Lea el manual de instrucciones.



Preste cuidado y atención especiales.



Sólo para países de la Unión Europea
Debido a la presencia de componentes peligrosos en el equipo, el equipo eléctrico y electrónico, los acumuladores y las baterías desechados pueden tener un impacto negativo para el medioambiente y la salud humana.

¡No tire los aparatos eléctricos y electrónicos ni las baterías junto con los residuos domésticos!

De conformidad con las Directivas Europeas sobre residuos de aparatos eléctricos y electrónicos y sobre acumuladores y baterías, así como la adaptación de las mismas a la ley nacional, el equipo eléctrico, las baterías y los acumuladores desechados deberán ser almacenados por separado y trasladados a un punto distinto de recogida de desechos municipales, que cumpla con los reglamentos sobre protección medioambiental.

Esto se indica mediante el símbolo de cubo de basura tachado colocado en el equipo.



No conecte a un grifo de agua potable.



No dirija el chorro hacia personas, incluyéndose a usted, animales, y equipos eléctricos conectados a la corriente.

Uso previsto

Esta herramienta ha sido prevista para uso en hogares en la eliminación de suciedad con chorro de agua. Al ofrecer un tipo de pulverización seleccionable, la herramienta se puede usar tanto para mejorar la limpieza como para irrigar el césped y el jardín.

ADVERTENCIAS DE SEGURIDAD

ADVERTENCIAS DE SEGURIDAD IMPORTANTES

⚠️ ADVERTENCIA: Lea todas las advertencias de seguridad y todas las instrucciones. Si no sigue las advertencias e instrucciones podrá resultar en una descarga eléctrica, un incendio y/o heridas graves.

Guarde todas las advertencias e instrucciones para futuras referencias.

ADVERTENCIA - Cuando utilice este producto, deberá observar siempre unas precauciones básicas, incluyendo lo siguiente:

Seguridad en el área de trabajo

1. Mantenga el área de operación despejada de todas las personas.
2. No trabaje donde no alcance o se ponga sobre soportes inestables. Mantenga los pies sobre suelo firme y el equilibrio en todo momento.
3. Ponga siempre el cuerpo de la hidrolavadora sobre una superficie nivelada y estable. Evite las áreas donde el agua eyectada fluya o se empoe.
4. Antes de limpiar, compruebe los alrededores y los objetos que va a limpiar. Los chorros a presión pueden levantar la pintura u otros tratamientos de la superficie, incluso productos químicos tóxicos. Tome medidas preventivas si es necesario.
5. Tenga cuidado de no tropezar con la manguera de la hidrolavadora. Sea siempre consciente del tendido de la manguera durante la operación.
6. Durante la utilización, saldrá una pequeña cantidad de agua por la parte inferior de la hidrolavadora. Tenga cuidado de no manejar la herramienta por encima de zonas que no quiera que se mojen.

Seguridad personal

1. Para protegerse contra el chorro y objetos lanzados por el chorro, los operarios deberán ponerse ropa apropiada tal como botas de seguridad, guantes de seguridad, cascos de seguridad con visor, protección para los oídos, etc.
2. Póngase equipo de protección personal. En función de la tarea, utilice pantalla facial, gafas de protección o gafas de seguridad, ya que la protección de los ojos permite detener los restos que salen volando generados en diversas

operaciones.

3. No utilice la hidrolavadora dentro del alcance de personas que no lleven puesta ropa de protección.
4. Para reducir el riesgo de heridas, será necesaria una supervisión estrecha cuando el producto sea utilizado cerca de niños.
5. Si la conexión se hace a un sistema de agua potable, el sistema deberá estar protegido contra el reflujo.
6. El agua que ha fluido a través del bloqueador de reflujo está considerada como no potable.

Seguridad eléctrica

1. No toque nunca los cartuchos de batería con las manos mojadas.
2. No utilice el aparato si las partes importantes del mismo están dañadas, por ejemplo, dispositivos de seguridad, mangueras de presión, etc.
3. Evite los entornos peligrosos. No utilice la herramienta en lugares húmedos o mojados ni la esponja a la lluvia. La entrada de agua en la herramienta aumentará el riesgo de que se produzca una descarga eléctrica.

Utilización y cuidado de la herramienta eléctrica

1. Lea todas las instrucciones antes de utilizar el producto.
2. Sepa cómo detener la hidrolavadora y purgar las presiones rápidamente. Familiarícese completamente con los controles.
3. No rocíe líquidos inflamables o tóxicos. Esto podrá ocasionar una explosión, intoxicación o daños al aparato.
4. No dirija el chorro contra usted mismo u otras personas con objeto de limpiar las ropas o el calzado.
5. Las mangueras de presión, los aditamentos y acopladores son importantes para la seguridad del aparato. Utilice solamente mangueras, aditamentos y acopladores recomendados por el fabricante.
6. Siga las instrucciones cuando cambie accesorios.
7. Mantenga los mangos secos, limpios, y libres de aceite o grasa.
8. Esté alerta - observe lo que está haciendo.
9. No opere el producto cuando esté fatigado o bajo la influencia de alcohol o drogas.
10. No haga funcionar la hidrolavadora sin agua durante más de un minuto. Ello dañará el motor, resultando en un mal funcionamiento.
11. Desconecte siempre la alimentación y cierre el grifo de la red de distribución de agua cuando deje la hidrolavadora desatendida.
12. Tenga cuidado con los retrocesos bruscos. El aparato recula cuando la boquilla eyecta el chorro a presión. Sujete el aparato firmemente para evitar heridas accidentales.
13. Compruebe por si hay partes dañadas o desgastadas antes de la utilización. Asegúrese también de que la manguera está conectada debidamente y que no hay fugas durante la operación. La operación del aparato con

defectos de funcionamiento puede ocasionar un accidente.

14. No tire de la manguera para mover el cuerpo de la hidrolavadora. Esto dañará la manguera y las partes de conexión y resultará en un cortocircuito o defectos de funcionamiento.
15. No ponga objetos pesados encima de la manguera o deje que vehículos pasen sobre ella.
16. Libere siempre la presión residual del aparato antes de desconectar la manguera.
17. Cuando conecte la manguera a la red de distribución de agua, observe las instrucciones del departamento o compañía de abastecimiento de agua local.
18. Si la hidrolavadora se cae o golpea contra un objeto duro, asegúrese de comprobar por si hay daños y grietas. La utilización de la hidrolavadora dañada puede generar humo, un incendio u ocasionar una descarga eléctrica, lo cual puede resultar en heridas personales.
19. Evite los arranques involuntarios. Asegúrese de que el interruptor está en la posición desactivada antes de conectar a la batería, y recoger o transportar el aparato. Transportar el aparato con el dedo en el interruptor o suministrar energía al aparato teniendo el interruptor activado es una invitación a accidentes.
20. Desconecte la batería del aparato antes de hacer cualquier ajuste, cambiar accesorios o almacenar el aparato. Tales medidas preventivas de seguridad reducirán el riesgo de que el aparato pueda ser puesto en marcha accidentalmente.
21. No modifique o intente reparar el aparato o la batería excepto como se indica en las instrucciones para la utilización y cuidado.
22. ADVERTENCIA - Riesgo de inyección o heridas- No dirigir el chorro de descarga hacia personas.
23. Asegúrese de que el objeto o zona que va a limpiar puede resistir la irrigación. De lo contrario, podrá ocasionar daños al objeto o a la zona y resultar en heridas personales.

Utilización y cuidado de la herramienta a batería

1. Cargue la batería solamente con el cargador especificado por el fabricante. Un cargador que es apropiado para un tipo de batería puede crear un riesgo de incendio cuando se utiliza con otra batería.
2. Utilice las herramientas eléctricas solamente con las baterías designadas específicamente para ellas. La utilización de cualquier otra batería puede crear un riesgo de heridas o incendio.
3. Cuando la batería no esté siendo utilizada, guárdela alejada de otros objetos metálicos, como sujetapapeles, monedas, llaves, clavos, tornillos u otros objetos metálicos pequeños, que puedan hacer conexión entre un terminal y el otro. Si se cortocircuitan entre sí los terminales de la batería podrán producirse quemaduras o un incendio.
4. En condiciones abusivas, es posible que salga expulsado líquido de la batería; evite el contacto con él. Si se produce un contacto accidental, enjuague con agua. Si el líquido entra

en los ojos, además de enjuagarlos, solicite asistencia médica. El líquido expulsado de la batería puede ocasionar irritación y quemaduras.

5. **No utilice una batería o herramienta que esté dañada o modificada.** Las baterías dañadas o modificadas pueden comportarse de forma impredecible resultando en un incendio, explosión o riesgo de heridas.
6. **No exponga una batería o herramienta al fuego o a temperatura excesiva.** La exposición al fuego o a una temperatura superior a los 130 °C puede ocasionar una explosión.
7. **Siga todas las instrucciones de carga y no cargue la batería o la herramienta fuera del rango de temperatura especificado en las instrucciones.** Cargar incorrectamente o a temperaturas fuera del rango especificado puede dañar la batería y aumentar el riesgo de incendio.

Servicio

1. **Siga las instrucciones de mantenimiento especificadas en el manual.**
2. **Para garantizar la seguridad del aparato, utilice solamente piezas de repuesto originales del fabricante u homologadas por el fabricante.**
3. **Haga que la hidrolavadora sea servida por un reparador técnico cualificado utilizando solamente piezas de repuesto idénticas.** Esto garantizará que se mantendrá la seguridad de la hidrolavadora.
4. **En caso de rotura o mal funcionamiento de la hidrolavadora, inmediatamente apáguela y retire el cartucho (o los cartuchos) de batería. Póngase en contacto con el distribuidor o centro de servicio local.**

Advertencias de seguridad adicionales

1. **No utilice la herramienta cuando haya riesgo de relámpagos.**
2. **Cuando utilice la herramienta en suelo enlodado, pendiente mojada, o lugar resbaladizo, preste atención a donde pisa.**
3. **Evite trabajar en un entorno poco adecuado donde se espere que la fatiga del usuario aumente.**
4. **No reemplace la batería en la lluvia.**
5. **No sumerja la herramienta en un charco.**
6. **Cuando almacene la herramienta, evite la luz solar directa y la lluvia, y almacénela en un lugar donde no se caliente o humedezca.**
7. **Después de utilizar la herramienta, retire la suciedad adherida y seque la herramienta completamente antes de almacenarla.** Dependiendo de la estación del año o el área, existe el riesgo de un mal funcionamiento debido a la congelación.
8. **No moje el terminal de la batería con líquido como agua, ni sumerja la batería. No deje la batería en la lluvia, ni cargue, utilice, o almacene la batería en un lugar húmedo o mojado.** Si el terminal se moja o si entra líquido al interior de la batería, la batería podrá cortocircuitarse y existe el riesgo de recalentamiento, incendio, o explosión.
9. **Después de retirar la batería de la herramienta**

o el cargador, asegúrese de colocar la tapa de la batería en la batería y de guardarla en un lugar seco.

10. **No reemplace la batería con las manos mojadas.**
11. **Si el aparato se congela debido al clima frío, póngase en contacto con un centro de servicio autorizado para la reparación.**
12. **No utilice un suministro de alimentación con cable como un adaptador de batería o unidad portátil de alimentación eléctrica con este aparato.** El cable de tal suministro de alimentación puede dificultar la operación y resultar en heridas personales.

GUARDE ESTAS INSTRUCCIONES.

⚠ADVERTENCIA: NO deje que la comodidad o familiaridad con el producto (a base de utilizarlo repetidamente) sustituya la estricta observancia de las normas de seguridad para el producto en cuestión.

El MAL USO o el no seguir las normas de seguridad establecidas en este manual de instrucciones podrá ocasionar graves heridas personales.

Instrucciones de seguridad importantes para el cartucho de batería

1. **Antes de utilizar el cartucho de batería, lea todas las instrucciones e indicaciones de precaución sobre (1) el cargador de baterías, (2) la batería, y (3) el producto con el que se utiliza la batería.**
2. **No desensamble ni manipule el cartucho de batería.** Podrá resultar en un incendio, calor excesivo, o una explosión.
3. **Si el tiempo de uso se acorta demasiado, cese la operación inmediatamente.** Podrá resultar en un riesgo de recalentamiento, posibles quemaduras e incluso una explosión.
4. **Si entra electrolito en sus ojos, aclárelos con agua limpia y acuda a un médico inmediatamente.** Existe el riesgo de poder perder la vista.
5. **No cortocircuite el cartucho de batería:**
 - (1) **No toque los terminales con ningún material conductor.**
 - (2) **Evite guardar el cartucho de batería en un cajón junto con otros objetos metálicos, como clavos, monedas, etc.**
 - (3) **No exponga el cartucho de batería al agua ni a la lluvia.****Un cortocircuito en la batería puede producir una gran circulación de corriente, un recalentamiento, posibles quemaduras e incluso una rotura de la misma.**
6. **No guarde ni utilice la herramienta y el cartucho de batería en lugares donde la temperatura pueda alcanzar o exceder los 50 °C.**
7. **Nunca incinere el cartucho de batería incluso**

en el caso de que esté dañado seriamente o ya no sirva en absoluto. El cartucho de batería puede explotar si se tira al fuego.

8. **No clave, corte, aplaste, lance, deje caer el cartucho de batería, ni golpee contra un objeto duro el cartucho de batería.** Tal conducta podrá resultar en un incendio, calor excesivo, o una explosión.
9. **No utilice una batería dañada.**
10. **Las baterías de litio-ion contenidas están sujetas a los requisitos de la Legislación para Materiales Peligrosos.**

Para transportes comerciales, p.ej., por terceras personas y agentes de transportes, se deberán observar requisitos especiales para el empaquetado y etiquetado.

Para la preparación del artículo que se va a enviar, se requiere consultar con un experto en materiales peligrosos. Por favor, observe también la posibilidad de reglamentos nacionales más detallados.

Cubra con cinta aislante o enmascare los contactos expuestos y empaquete la batería de tal manera que no se pueda mover alrededor dentro del embalaje.
11. **Para desechar el cartucho de batería, retírelo de la herramienta y deséchelo en un lugar seguro. Siga los reglamentos locales referentes al desecho de la batería.**
12. **Utilice las baterías solamente con los productos especificados por Makita.** La instalación de las baterías en productos no compatibles puede resultar en un incendio, calor excesivo, explosión, o fuga de electrolito.
13. **Si la herramienta no va a ser utilizada durante un periodo de tiempo largo, la batería deberá ser retirada de la herramienta.**
14. **Durante y después de la utilización, el cartucho de batería podrá acumular calor, lo cual puede ocasionar quemaduras o quemaduras de baja temperatura. Preste atención al manejo de cartuchos de batería calientes.**
15. **No toque el terminal de la herramienta inmediatamente después de utilizar, dado que puede calentarse lo suficiente como para ocasionar quemaduras.**
16. **No permita que virutas, polvo, o tierra se adhieran dentro de los terminales, orificios, y ranuras del cartucho de batería.** Esto podría ocasionar calentamiento, que coja fuego, reviente y un mal funcionamiento de la herramienta o el cartucho de batería, resultando en quemaduras o heridas personales.
17. **A menos que la herramienta pueda utilizarse cerca de cables eléctricos de alta tensión, no utilice el cartucho de batería cerca de cables eléctricos de alta tensión.** Podrá resultar en un mal funcionamiento o rotura de la herramienta o el cartucho de batería.
18. **Mantenga la batería alejada de los niños.**

GUARDE ESTAS INSTRUCCIONES.

⚠PRECAUCIÓN: Utilice solamente baterías genuinas de Makita. La utilización de baterías no genuinas de Makita, o baterías que han sido alteradas, puede resultar en una explosión de la batería ocasionando incendios, heridas personales y daños. También anulará la garantía de Makita para la herramienta y el cargador de Makita.

Consejos para alargar al máximo la vida de servicio de la batería

1. **Cargue el cartucho de batería antes de que se descargue completamente. Detenga siempre la operación y cargue el cartucho de batería cuando note menos potencia en la herramienta.**
2. **No cargue nunca un cartucho de batería que esté completamente cargado. La sobrecarga acortará la vida de servicio de la batería.**
3. **Cargue el cartucho de batería a temperatura ambiente de 10 °C - 40 °C. Si un cartucho de batería está caliente, déjelo enfriar antes de cargarlo.**
4. **Cuando no esté utilizando el cartucho de batería, retírelo de la herramienta o del cargador.**
5. **Cargue el cartucho de batería si no lo utiliza durante un periodo de tiempo prolongado (más de seis meses).**

DESCRIPCIÓN DEL FUNCIONAMIENTO

⚠PRECAUCIÓN: Asegúrese siempre de que la herramienta está apagada y el cartucho de batería retirado antes de realizar cualquier ajuste o comprobación en la herramienta.

Instalación o extracción del cartucho de batería

⚠PRECAUCIÓN: Apague siempre la herramienta antes de instalar o retirar el cartucho de batería.

⚠PRECAUCIÓN: Sujete la herramienta y el cartucho de batería firmemente cuando instale o retire el cartucho de batería. Si no sujeta la herramienta y el cartucho de batería firmemente podrán caerse de las manos y resultar en daños a la herramienta y al cartucho de batería y heridas personales.

⚠PRECAUCIÓN: Tenga cuidado de no pillarse los dedos cuando abra o cierre la cubierta de la batería.

Abra la cubierta mientras presiona la palanca de bloqueo.

► Fig.1: 1. Cubierta 2. Palanca de bloqueo

Alinee la lengüeta del cartucho de batería con la acanaladura del alojamiento y deslícelo al interior hasta encajarlo en su sitio. Insértelo a tope hasta que se bloquee

en su sitio con un pequeño chasquido. Si puede ver el indicador rojo como se muestra en la figura, no estará bloqueado completamente.

► **Fig.2:** 1. Indicador rojo 2. Botón 3. Cartucho de batería

Después de instalar o desmontar los cartuchos de batería, asegúrese de cerrar la cubierta.

Para retirar el cartucho de batería, abra la cubierta, deslice el cartucho de batería fuera de la herramienta mientras presiona el botón de la parte delantera, después cierre la cubierta.

PRECAUCIÓN: Instale siempre el cartucho de batería completamente hasta que no pueda verse el indicador rojo. En caso contrario, podrá caerse accidentalmente de la herramienta y ocasionarle heridas a usted o a alguien que esté cerca de usted.

PRECAUCIÓN: No instale el cartucho de batería empleando fuerza. Si el cartucho no se desliza al interior fácilmente, será porque no está siendo insertado correctamente.

PRECAUCIÓN: Asegúrese de bloquear la cubierta antes de la operación.

Sistema de protección de la herramienta / batería

La herramienta está equipada con un sistema de protección de la herramienta/batería. Este sistema corta automáticamente la alimentación del motor para alargar la vida útil de la herramienta y la batería. La herramienta se detendrá automáticamente con una indicación si la herramienta o la batería es puesta en una de las condiciones siguientes:

► **Fig.3:** 1. Indicador

Protección contra sobrecarga

Cuando la herramienta o la batería sea operada de manera que se tenga que absorber una corriente anormalmente alta, la herramienta se detendrá automáticamente y el indicador rojo se encenderá. En esta situación, apague la herramienta y detenga la tarea que ocasiona la sobrecarga de la herramienta. Después encienda la herramienta para volver a empezar.

Protección contra el recalentamiento

Cuando la herramienta o la batería se recalienta, la herramienta se detiene automáticamente y el indicador rojo se enciende. En esta situación, deje que la herramienta se enfríe antes de encenderla otra vez.

Protección contra descarga excesiva

Cuando la capacidad de batería es baja, el indicador rojo parpadea. Cuando la batería está casi vacía, la herramienta se detiene automáticamente y el indicador rojo se enciende. En este caso, retire la batería de la herramienta y cárguela.

Protecciones contra otras causas

También hay un sistema de protección diseñado para otras causas que pueden dañar la herramienta y

permite a la herramienta detenerse automáticamente. Realice todos los pasos siguientes para despejar las causas, cuando la herramienta haya sido llevada a una pausa temporal o a una parada en la operación.

1. Apague la herramienta, y después enciéndala otra vez para volver a empezar.
2. Cargue la(s) batería(s) o reemplácela(s) con una batería(s) recargada(s).
3. Deje que la herramienta y la batería(s) se enfríen.

Si no se nota una mejora al restablecer el sistema de protección, póngase en contacto con el centro de servicio Makita local.

AVISO: Si la herramienta se detiene debido a una causa no descrita arriba, consulte la sección para solución de problemas.

Modo de indicar la capacidad de batería restante

Solamente para cartuchos de batería con el indicador

Presione el botón de comprobación en el cartucho de batería para indicar la capacidad de batería restante. Las lámparas indicadoras se iluminan durante unos pocos segundos.

► **Fig.4:** 1. Lámparas indicadoras 2. Botón de comprobación

Lámparas indicadoras			Capacidad restante
Iluminada	Apagada	Parpadeando	
■	□	▧	75% a 100%
■	■	□	50% a 75%
■	■	□	25% a 50%
■	□	□	0% a 25%
▧	□	□	Cargue la batería.
■	□	□	Puede que la batería no esté funcionando bien.
□	□	■	

NOTA: Dependiendo de las condiciones de utilización y de la temperatura ambiente, la indicación podrá variar ligeramente de la capacidad real.

NOTA: La primera lámpara indicadora (extremo izquierdo) parpadeará cuando el sistema de protección de la batería esté funcionando.

Conmutador de modo de presión

Seleccione el modo de presión que desee deslizando la palanca del conmutador hacia delante y hacia atrás. Empuje la palanca hacia atrás para el modo de baja presión, dejando ver el símbolo de número "1" en el conmutador.

Empuje la palanca hacia delante para el modo de alta presión, dejando ver el símbolo de número "2" en el conmutador.

► **Fig.5:** 1. Modo de baja presión (1) 2. Modo de alta presión (2) 3. Palanca del conmutador de modo de presión

Gatillo interruptor

La hidrolavadora cuenta con un bloqueo de seguridad en el gatillo. Para liberar el bloqueo del gatillo, meta el botón de bloqueo en el gatillo de forma que la superficie del gatillo quede plana.

Apriete el gatillo interruptor para eyectar un chorro de agua. El chorro continuará saliendo mientras tenga apretado el gatillo.

► **Fig.6:** 1. Gatillo interruptor 2. Botón de bloqueo

Vuelva a sacar el botón de bloqueo del gatillo presionándolo para accionar el bloqueo del gatillo. Asegúrese de bloquear el gatillo cuando la hidrolavadora no esté siendo usada.

► **Fig.7:** 1. Gatillo interruptor 2. Botón de bloqueo

Funciones de la boquilla

La boquilla de pulverización multi-patrón (5-in-1) ofrece una gama de patrones de pulverización que usted puede escoger en función de sus necesidades de lavado. Con la combinación de los cinco patrones de pulverización más usados en una sola boquilla, se acabó el cambiar de una a la siguiente, basta con girar para elegir el patrón de pulverización correcto para su tarea.

Conversión fácil de boquillas, 0°, 15°, 25°, 40° y ducha

► **Fig.8**

► **Fig.9:** 1. Símbolo de patrón de pulverización 2. Marca triangular

Gire la cabeza de la boquilla hacia la izquierda o derecha hasta la posición de patrón de pulverización que quiera. Alinee correctamente el símbolo de patrón de pulverización que quiera seleccionar con la marca triangular de manera que la cabeza de la boquilla se bloquee con un chasquido.

► **Fig.10**

AVISO: Tenga cuidado de no ajustar el cabezal de la boquilla en una posición que no chasquee. De otro modo, la herramienta podrá crear patrones de pulverización irregulares, resultando en fugas de agua.

PRECAUCIÓN: Intente no girar el cuerpo de la boquilla también al cambiar los patrones de pulverización. La boquilla podría caerse de del cuerpo de la herramienta y causar heridas personales.

Válvula de seguridad

Esta herramienta está equipada con una válvula de seguridad que impide una sobrepresión excesiva.

PRECAUCIÓN: No manipule o regule el ajuste de la válvula de seguridad.

MONTAJE

PRECAUCIÓN: Asegúrese siempre de que la herramienta está apagada y el cartucho de batería retirado antes de realizar cualquier trabajo en la herramienta.

Instalación de la boquilla y la extensión de lanza

PRECAUCIÓN: Bloquee siempre el gatillo interruptor mientras coloca o retira una boquilla y la extensión.

Boquilla

Alinee los salientes de orientación del extremo de la boquilla con las ranuras de bloqueo de la carcasa de la herramienta. Introduzca la boquilla a tope hasta que las dos marcas triangulares de la boquilla y de la carcasa queden una frente a la otra. Después gire la boquilla en la dirección mostrada en la figura para accionar el bloqueo.

Una vez instalada la boquilla, intente volver a sacarla para asegurarse de que está sujeta firmemente en su sitio.

► **Fig.11:** 1. Boquilla 2. Saliente de orientación 3. Ranura de bloqueo 4. Marcas triangulares 5. Contorno en forma de aleta ventral

NOTA: Asegúrese de orientar un contorno en forma de aleta ventral hacia abajo.

Para retirar la boquilla, manténgala presionada hacia la carcasa de la herramienta, y después gírela hacia la izquierda hasta que las dos marcas triangulares queden una frente a la otra. Extraiga la boquilla de la carcasa de la herramienta una vez que se desbloquee.

Extensión de lanza

Irrigación de cualquier punto de difícil acceso. Instale la extensión de lanza entre la carcasa de la herramienta y la boquilla siguiendo los mismos pasos que los descritos para la instalación de la boquilla.

► **Fig.12:** 1. Extensión de lanza 2. Carcasa de la herramienta 3. Boquilla 4. Salientes de orientación 5. Ranuras de bloqueo 6. Marcas triangulares

Para retirar los aditamentos, mantenga presionado el aditamento del extremo contra el aditamento o carcasa de montura, y después gírela hacia la izquierda hasta que las dos marcas triangulares queden una frente a la otra. Extraiga el aditamento del extremo del aditamento o carcasa de montura una vez que se desbloquee.

Conexión a tanque de agua

AVISO: Utilice siempre la manguera de presión y el colador suministrados con esta herramienta para suministrar agua.

AVISO: Mantenga siempre 2,0 m o menos de altura entre la entrada de la hidrolavadora y la superficie del agua. De lo contrario, la hidrolavadora no podrá elevar el agua hasta la bomba.

AVISO: Asegúrese de rellenar un recipiente de agua más de 25 mm desde el fondo y de sumergir el colador completamente en el agua.

El agua se puede suministrar desde un tanque, recipiente o depósito de cualquier tamaño.

Una irrigación suministrada desde un tanque satisface situaciones de presión para como, por ejemplo, lavar un automóvil y en jardinería, etc., en las que no hay agua disponible y hay que transportarla hasta el lugar de lavado o zona de irrigación.

1. Coloque el colador en un extremo de la manguera de presión.

Inserte la salida del colador en el manguito de acoplamiento y empújela completamente hasta que el colador esté sujeto en su sitio.

► **Fig.13:** 1. Colador 2. Manguito de acoplamiento 3. Manguera de presión

2. Ponga el colador en el fondo del recipiente de agua.

► **Fig.14:** 1. Colador 2. Manguera de presión 3. Gancho de manguera

NOTA: Cuelgue la manguera a lo largo de la abertura usando un gancho para manguera suministrado de modo que el colador quede reposado en el fondo del recipiente.

3. Coloque el otro extremo de la manguera en el conector de la manguera de agua de la hidrolavadora.

Coloque el manguito de acoplamiento en la entrada del conector y empújelo completamente hasta que se sujete en su sitio.

► **Fig.15:** 1. Manguito de acoplamiento 2. Conector de la manguera de agua

PRECAUCIÓN: Asegúrese de que la manguera de alta presión está conectada firmemente. Una conexión floja puede hacer que se suelte la manguera de alta presión, resultando en heridas personales.

AVISO: Introduzca agua en la hidrolavadora y en la manguera previamente siempre que vaya a elevar agua desde cierta profundidad en el modo de alta presión.

Conexión a la red de distribución de agua

PRECAUCIÓN: Utilice siempre la manguera de presión suministrada con esta herramienta para suministrar agua.

AVISO: Si conecta a la red de distribución de agua potable, utilice una válvula bloqueadora de reflujo que cumpla con los reglamentos de su región.

AVISO: Mantenga una presión del flujo de agua de entrada de menos de 0,5 MPa para un flujo adecuado. No exceda la presión máxima del flujo porque podrá causar fugas de agua cuando pare la herramienta.

El agua se puede suministrar desde la red de distribución de agua disponible en la zona o lugar de lavado. Un suministro continuo de agua permite no tener que rellenar el recipiente de agua y posibilita una eficiente limpieza de la casa e irrigación del jardín, tal como limpieza puntual, aclarado y regado de una zona grande de césped o vegetación.

1. Conecte la manguera de presión al grifo.

Coloque un aditamento apropiado, como un acoplador de toma de agua, para sujetar el extremo de la manguera en el grifo.

► **Fig.16:** 1. Acoplador de toma de agua 2. Manguito de acoplamiento 3. Manguera de presión

NOTA: El tipo de aditamento dependerá de la forma del grifo al que conecte. Prepare un aditamento apropiado de venta en el comercio.

2. Coloque el otro extremo de la manguera en el conector de la manguera de agua de la hidrolavadora.

Coloque el manguito de acoplamiento en la entrada del conector y empújelo completamente hasta que se sujete en su sitio.

► **Fig.17:** 1. Manguito de acoplamiento 2. Conector de la manguera de agua

Instalación de una boquilla de espuma

Accesorios opcionales

PRECAUCIÓN: Bloquee siempre el gatillo interruptor mientras coloca o retira aditamentos opcionales.

AVISO: Utilice solamente detergentes neutros. No utilice detergentes domésticos, detergentes ácidos, detergentes alcalinos, lejías, disolventes, material inflamable ni soluciones de grado industrial, los cuales pueden dañar la herramienta o la propiedad. Prepare la solución de limpieza como se indica en la botella de la solución, y siempre pruébela previamente en un lugar discreto.

AVISO: Si se utiliza un detergente muy viscoso, es probable que la boquilla se atasque. Cuando utilice un detergente muy viscoso, diluya el detergente añadiendo agua a la botella antes de utilizarlo.

NOTA: Cuando se utiliza la boquilla de espuma, el detergente de la botella se diluye y se pulveriza con el agua que se suministra a la herramienta. No hay que diluir la concentración de detergente de la botella más de lo necesario. Ajuste la concentración de detergente mientras comprueba las condiciones de uso.

NOTA: Si la boquilla de espuma está inclinada en su costado, el detergente podrá derramarse.

Prepare un detergente antes de utilizar la boquilla de espuma.

1. Llene el tanque con detergente. Coloque la boquilla en el tanque y apriete firmemente la tapa.

2. Incline la boquilla de espuma para alinear sus salientes de orientación con las ranuras de bloqueo de la carcasa de la herramienta. Introduzca la boquilla a tope y sujétela en su sitio. Después gire la boquilla de espuma en la dirección mostrada en la figura para accionar el bloqueo.

► **Fig.18:** 1. Boquilla de espuma 2. Tanque 3. Saliente de orientación 4. Ranura de bloqueo

Una vez instalada la boquilla, intente volver a sacarla para asegurarse de que está sujeta firmemente en su sitio.

3. Gire el dial de detergente para ajustar el volumen de succión de la solución de detergente.

► **Fig.19:** 1. Dial de detergente 2. Girar para mínimo 3. Girar para máximo

Instalación de boquillas opcionales

Accesorios opcionales

PRECAUCIÓN: Bloquee siempre el gatillo interruptor mientras coloca o retira aditamentos opcionales.

Alinee los salientes de orientación de una boquilla opcional con las ranuras de bloqueo de la carcasa de la herramienta. Introduzca la boquilla a tope y sujétela en su sitio. Después gire la boquilla en la dirección mostrada en la figura para accionar el bloqueo.

Una vez instalada la boquilla, intente volver a sacarla para asegurarse de que está sujeta firmemente en su sitio.

► **Fig.20:** 1. Boquillas 2. Saliente de orientación 3. Ranura de bloqueo

Para retirar la boquilla, mantenga presionada la boquilla hacia la carcasa de la herramienta, y después gírela hacia la izquierda para liberar el bloqueo. Extraiga la boquilla de la hidrolavadora una vez que se desbloquee.

Instalación de un adaptador de botella de plástico

Accesorios opcionales

PRECAUCIÓN: Bloquee siempre el gatillo interruptor mientras coloca o retira aditamentos opcionales.

PRECAUCIÓN: Asegúrese de colocar el adaptador de botella de plástico firmemente en la hidrolavadora y en la botella de plástico. En caso contrario, podrá ocasionar que la botella se caiga y resultar en heridas personales.

NOTA: Algunos tipos de botellas de plástico no se pueden colocar.

(Utilice una botella de plástico con un diámetro exterior de rosca de 28 mm (1-1/8").

NOTA: El uso de una botella de plástico de 2 litros (medio galón) puede ser preferible para contener el agua.

1. Llene una botella de plástico con agua.

2. Introduzca el tubo de succión en la botella.

3. Coloque el adaptador en la botella enroscando la tuerca del manguito de acoplamiento.

4. Coloque el adaptador de botella de plástico en el conector de la manguera de agua de la hidrolavadora.

Coloque el manguito de acoplamiento en la entrada del conector y empújelo completamente hasta que se sujete en su sitio.

► **Fig.21:** 1. Adaptador de botella de plástico 2. Tubo de succión 3. Botella de plástico 4. Conector de la manguera de agua

OPERACIÓN

ADVERTENCIA: No toque el chorro de agua o lo dirija hacia usted u otras personas. El chorro de agua es peligroso y puede herirle a usted u otras personas.

ADVERTENCIA: Cuando dispare el chorro de agua, no sujete nunca el objeto que está limpiando o coloque las manos y piernas cerca del chorro de agua.

PRECAUCIÓN: No haga funcionar la hidrolavadora sin agua durante más de 1 minuto.

PRECAUCIÓN: No maneje la hidrolavadora durante largos periodos de tiempo. Esto puede ocasionar recalentamiento o un incendio. Además, la utilización durante largo tiempo puede ocasionar trastornos de vibración.

PRECAUCIÓN: Sea consciente de la dirección del aire. Si el detergente entra en sus ojos o la boca, aclare con agua corriente inmediatamente y solicite atención médica si es necesario.

AVISO: Para proteger el mecanismo de la hidrolavadora, no utilice agua más caliente de 40°C (104°F).

AVISO: No utilice un suministro de agua no tratada, como agua de río, agua de estanque, o agua con arena o turbia. El agua sucia sin filtrar puede causar sedimentación de material no deseado en la bomba y resultar en un mal funcionamiento.

Altura de elevación de agua

La altura vertical máxima desde la procedencia del agua hasta la entrada de succión de agua de la hidrolavadora deberá ser de 2,0 m.

Profundidad del agua acumulada

Rellene el recipiente de agua más de 25 mm desde el fondo.

- **Fig.22:** 1. Altura de elevación de agua
2. Profundidad del agua acumulada

Pasos de la operación básica

1. Conecte la entrada de la manguera de agua al suministro de agua.
2. Conecte la salida de la manguera de agua a la hidrolavadora.
► **Fig.23**
3. Si el agua que queda en la hidrolavadora se ha vaciado desde la última vez que la usó, introduzca agua en la manguera de presión y en la hidrolavadora.

Deje que el agua corra a través de la manguera y la hidrolavadora hasta que salga todo el aire de ellas.

- (1) Retire la boquilla de la hidrolavadora.
- (2) Instale el cartucho de batería en la hidrolavadora.
- (3) Seleccione el modo de alta presión.
- (4) Desbloquee el gatillo interruptor.
- (5) Mantenga apretado el gatillo interruptor hasta que la hidrolavadora genere un chorro de agua estable.

- **Fig.24:** 1. Palanca del conmutador de modo de presión

Después de dejar que el aire bloqueado salga de la hidrolavadora y la manguera, suelte el gatillo interruptor.

Retire el cartucho de batería de la hidrolavadora, y coloque la boquilla apropiada para su tarea.

4. Abra la cubierta e instale el cartucho de batería en la hidrolavadora y después bloquee la cubierta.

- **Fig.25:** 1. Cartucho de batería 2. Cubierta

PRECAUCIÓN: Tenga cuidado de no pillarse los dedos cuando abra o cierre la cubierta de la batería.

5. Seleccione el modo de presión que desee. Después desbloquee el gatillo interruptor.

- **Fig.26:** 1. Palanca del conmutador de modo de presión 2. Gatillo interruptor 3. Botón de bloqueo

6. Apunte el cabezal de la boquilla hacia la zona o lugar de irrigación. Apriete el gatillo interruptor.

El chorro de agua continuará saliendo mientras tenga apretado el gatillo.

- **Fig.27**

► Fig.28

PRECAUCIÓN: Sujete la hidrolavadora firmemente. La herramienta reculará cuando apriete el gatillo interruptor.

PRECAUCIÓN: Sujete siempre la hidrolavadora por la empuñadura y el barril cuando eyecte el chorro de agua.

Después de la utilización

PRECAUCIÓN: Después de utilizar la hidrolavadora, realice siempre el procedimiento descrito en este manual. La presión residual en la hidrolavadora puede ocasionar heridas personales o dañar la bomba interior.

1. Libere el gatillo interruptor y bloquéelo con el botón de bloqueo.
2. Desconecte la manguera de agua del suministro de agua.

- **Fig.29**

3. Desbloquee el gatillo interruptor y apriételo hasta que el agua que queda en la hidrolavadora y la manguera se haya vaciado.

- **Fig.30**

AVISO: No haga funcionar el motor durante más de 1 minuto.

4. Libere el gatillo interruptor y bloquéelo con el botón de bloqueo. Después retire la batería de la hidrolavadora.

- **Fig.31:** 1. Botón de bloqueo 2. Cartucho de batería

5. Desconecte la manguera de presión de la hidrolavadora.

- **Fig.32:** 1. Manguito de acoplamiento 2. Conector de la manguera de agua

AVISO: Para evitar que la manguera de presión se dañe, retire el agua que queda en ella antes de guardarla.

MANTENIMIENTO

PRECAUCIÓN: Asegúrese siempre de que la herramienta está apagada y el cartucho de batería ha sido retirado antes de intentar hacer una inspección o mantenimiento.

AVISO: No utilice nunca gasolina, bencina, disolvente, alcohol o similares. Podría producir descoloración, deformación o grietas.

Para mantener la SEGURIDAD y FIABILIDAD del producto, las reparaciones, y cualquier otra tarea de mantenimiento o ajuste deberán ser realizadas en centros de servicio o de fábrica autorizados por Makita, empleando siempre repuestos Makita.

Limpieza de las boquillas

Utilice la varilla de limpieza, una diminuta lima tipo dedo, para retirar la suciedad atascada en las aberturas de la boquilla.

► **Fig.33:** 1. Varilla de limpieza 2. Boquilla

NOTA: Para mantener el rendimiento óptimo, limpie la boquilla con regularidad.

AVISO: No retire la suciedad o los residuos a la fuerza. Esto podrá resultar en heridas personales o daños al agujero de eyección ocasionando ángulos de chorro desviados o mal rendimiento.

Limpieza de los filtros

Retire el conector de la manguera de agua de la hidrolavadora. Retire el polvo o suciedad adherido al filtro.

► **Fig.34:** 1. Conector de la manguera de agua 2. Filtro 3. Anillo obturador

Desmunte el colador desenroscando la caja del filtro. Retire el polvo o suciedad adherido al filtro.

► **Fig.35:** 1. Filtro 2. Caja del filtro

NOTA: Para mantener el rendimiento óptimo, limpie el filtro periódicamente.

SOLUCIÓN DE PROBLEMAS

Antes de solicitar reparaciones, realice su propia inspección en primer lugar. Si encuentra un problema que no está explicado en el manual, no intente desmontar la herramienta. En su lugar, pregunte en los centros de servicio autorizados Makita, utilizando siempre piezas de recambio Makita para las reparaciones.

Estado de anomalía	Causa probable (mal funcionamiento)	Remedio
La hidrolavadora no se pone en marcha.	No hay electricidad	Instale un cartucho de batería cargado.
	El gatillo interruptor está bloqueado.	Desbloquee el gatillo interruptor.
	Batería o circuito eléctrico dañado	Póngase en contacto con un centro de servicio autorizado para hacer reparaciones.
No hay chorro de agua / chorro de agua débil	No hay suministro de agua	Asegúrese de que el grifo está abierto. Si está conectando a agua de tanque, introduzca agua en la hidrolavadora y en la manguera.
	Mal suministro de agua	Abra el grifo.
	Mala conexión de la manguera de agua	Compruebe la conexión entre la hidrolavadora y el suministro de agua.
	Manguera de agua deformada o desgastada	Enderece la manguera. Sustituya la manguera de agua dañada con una nueva.
	Manguera o boquilla atascada	Desatasque la manguera o la boquilla.
	Filtros atascados	Retire el polvo o la suciedad adherido a los filtros del colador y del conector de la manguera de agua.
	Agua residual o contaminada	Limpie el sistema de agua y vuelva a llenar con agua limpia.
	Boquilla dañada o desgastada	Reemplace la boquilla.
	Mal funcionamiento de la bomba o la válvula	Póngase en contacto con un centro de servicio autorizado para hacer reparaciones.
	Junta de agua floja	Afiance la conexión entre la manguera de agua y los manguitos de acoplamiento.
	Fugas en la conexión del suministro de agua	Vuelva a apretar la conexión entre la manguera de agua y el suministro de agua.
	Colador mal instalado	Sumerja el colador en el agua completamente.
	Se está usando el modo de baja presión	Seleccione el modo de alta presión.
Chorro de agua inestable	Boquilla atascada	Desatasque el agujero de eyección de la boquilla utilizando una varilla de limpieza.
	Mala succión de agua	Compruebe la manguera de agua por si hay fugas u obturaciones.
	El agua está muy caliente.	Suministre agua más fría.
	Mal funcionamiento de la válvula	Póngase en contacto con un centro de servicio autorizado para hacer reparaciones.
Sonido anormal	El agua está muy caliente.	Suministre agua más fría.

Estado de anomalía	Causa probable (mal funcionamiento)	Remedio
Fuga de agua	Mala conexión	Compruebe la conexión entre la hidrolavadora y el suministro de agua.
	Boquilla mal instalada	Introduzca la boquilla a tope. Después gire la boquilla hasta que se bloquee firmemente.
	El cabezal de la boquilla queda en posición incorrecta	Ponga el cabezal de la boquilla en una posición de chasquido con símbolo de patrón de pulverizado claramente visible.
	Obturadores desgastados	Póngase en contacto con un centro de servicio autorizado para hacer reparaciones.

ACCESORIOS OPCIONALES

⚠ PRECAUCIÓN: Estos accesorios o aditamentos están recomendados para su uso con la herramienta Makita especificada en este manual. El uso de cualquier otro accesorio o aditamento puede suponer un riesgo de heridas personales. Utilice el accesorio o aditamento solamente con la finalidad indicada para el mismo.

Si necesita cualquier ayuda para más detalles en relación con estos accesorios, pregunte al centro de servicio Makita local.

NOTA: Algunos elementos de la lista podrán estar incluidos en el paquete de la herramienta como accesorios estándar. Pueden variar de un país a otro.

Boquilla de espuma

► Fig.36

El detergente se puede rociar como espuma.

Cepillo de limpieza

► Fig.37

Una boquilla equipada con cepillo. Útil para retirar la suciedad a la vez que se restriega con cepillo.

Ángulo de la boquilla

► Fig.38

El cabezal en ángulo de la boquilla puede girar 360 grados, lo que permite una maniobrabilidad y ámbito de aplicación sin ángulos muertos.

Adaptador de botella de plástico

► Fig.39

Bombea agua embotellada y la extrae fácilmente de una botella de plástico. Una botella de plástico puede servir como procedencia de agua.

AVISO

- O aparelho não deve ser utilizado por crianças. As crianças devem ser supervisionadas, de modo a assegurar que não brincam com o aparelho.
- Este aparelho não se destina a utilização por pessoas (incluindo crianças) com capacidades físicas, sensoriais ou mentais reduzidas ou falta de experiência e conhecimento, salvo tenham recebido supervisão ou instrução relativamente à utilização do aparelho por uma pessoa responsável pela sua segurança.
- A água a alta pressão não deve ser direcionada para pessoas, equipamento elétrico sob tensão ou para o próprio aparelho.
- Certifique-se sempre de que o aparelho está desligado e que a bateria foi removida antes de efetuar quaisquer trabalhos na ferramenta.
- Não utilize o aparelho se peças importantes do aparelho estiverem danificadas, por exemplo, dispositivos de segurança, mangueiras de pressão.
- Leia as instruções na secção de manutenção para obter as informações adequadas sobre as precauções a ter durante a manutenção pelo utilizador.
- Informe-se sobre a gama de temperaturas normais para carregar a bateria. Leia as instruções de segurança da bateria para se informar sobre as precauções de manuseamento das baterias.
- Leia as instruções na secção de montagem para obter as informações adequadas sobre as precauções a ter durante a instalação do aparelho.
- Informe-se sobre a pressão máxima da água de entrada. Leia as informações na secção das especificações para obter as informações adequadas sobre a ligação à rede de distribuição de água.
- Utilize sempre os conjuntos de mangueiras fornecidos com o aparelho. Leia as instruções na secção de montagem para se informar sobre as precauções a ter na ligação à rede de distribuição de água.

- A abertura de enchimento de água não deve ser aberta durante a utilização. Siga as instruções na secção de montagem para manter a pressão da água.
- Não utilize em piscinas que contenham água.
- Cumpre os requisitos da empresa de fornecimento de água local.
- Para países europeus:
De acordo com a EN12729 (BA), o aparelho também pode ser ligado à rede de abastecimento de água potável se uma válvula anti-retorno com escoamento estiver instalada na mangueira de fornecimento.

ESPECIFICAÇÕES

Modelo:		DHW180
Caudal máx. *1 [Abastecimento de água do tanque/abastecimento de água da rede de distribuição pública]		3,0/5,3 l/min
Caudal de água *2	Modo Alta	2,5 l/min
	Modo Baixa	1,5 l/min
Pressão de funcionamento máx.		2,4 MPa
Pressão de funcionamento *2	Modo Alta [Abastecimento de água do tanque/abastecimento de água da rede de distribuição pública]	2,0/2,2 MPa
	Modo Baixa [Abastecimento de água do tanque/abastecimento de água da rede de distribuição pública]	0,8/0,8 MPa
Pressão máx. de alimentação		0,5 MPa
Temperatura máx. de alimentação		40°C
Altura máx. de sucção		2,0 m
Voltagem nominal		CC 18 V
Dimensões *3 [C x L x A]		888 mm x 99 mm x 239 mm
Peso		2,3 - 2,7kg

*1: Sem bocal

*2: Padrão de pulverização 15°

*3: Com bocal 5 em 1 e tubo de extensão

- Devido a um programa contínuo de pesquisa e desenvolvimento, estas especificações estão sujeitas a alteração sem aviso prévio.
- As especificações podem variar de país para país.
- O peso poderá diferir em função do(s) acessório(s), incluindo a bateria. A combinação mais leve e a mais pesada são apresentadas na tabela.

Bateria e carregador aplicável

Bateria	BL1815N / BL1820B / BL1830B / BL1840B / BL1850B / BL1860B
Carregador	DC18RC / DC18RD / DC18RE / DC18SD / DC18SE / DC18SF / DC18SH / DC18WC

- Algumas das baterias e carregadores listados acima poderão não estar disponíveis, dependendo da sua

região de residência.

AVISO: Utilize apenas as baterias e carregadores listados acima. A utilização de quaisquer outras baterias e carregadores pode causar ferimentos e/ou um incêndio.

AVISO: Não utilize uma fonte de alimentação com fio como um adaptador da bateria ou adaptador de baterias tipo mochila com esta máquina. O cabo de tal fonte de alimentação pode impedir a operação e resultar em ferimentos pessoais.

Símbolos

A seguir são apresentados os símbolos que podem ser utilizados para o equipamento. Certifique-se de que compreende o seu significado antes da utilização.



Leia o manual de instruções.



Tenha especial cuidado e atenção.



NI-MH
Li-Ion

Apenas para países da UE
Devido à presença de componentes perigosos no equipamento, os resíduos de equipamentos elétricos e eletrônicos, acumuladores e baterias podem ter um impacto negativo no meio ambiente e na saúde humana.
Não elimine aparelhos elétricos e eletrônicos ou baterias juntamente com resíduos domésticos!
De acordo com a Diretiva europeia relativa aos resíduos de equipamentos elétricos e eletrônicos, acumuladores e baterias, bem como a respetiva adaptação à legislação nacional, os resíduos de equipamentos elétricos e eletrônicos, acumuladores e baterias devem ser armazenados separadamente e entregues num ponto de recolha separado para resíduos municipais, que opere de acordo com os regulamentos de proteção ambiental.
Tal é indicado pelo símbolo de contentor de lixo com rodas barrado com uma cruz colocado no equipamento.



Não ligue a uma torneira de água potável.



Não direcione o jato para pessoas, incluindo você mesmo, animais e equipamentos elétricos sob tensão.

Utilização a que se destina

Esta ferramenta destina-se a limpar sujidade através da utilização de jato de água para utilização doméstica. Ao oferecer o tipo de pulverização selecionável, a ferramenta funciona para melhorar a sua lavagem e a rega de relvados e jardins.

AVISOS DE SEGURANÇA

AVISOS DE SEGURANÇA IMPORTANTES

AVISO: Leia todos os avisos de segurança e todas as instruções. O não cumprimento de todos os avisos e instruções pode originar choque elétrico, incêndio e/ou ferimentos graves.

Guarde todos os avisos e instruções para futuras referências.

AVISO - Quando utilizar este produto, deve seguir sempre as precauções básicas, incluindo as seguintes:

Segurança da área de trabalho

1. Mantenha a área operacional sem pessoas.
2. Não tente esticar-se nem permaneça sobre suportes instáveis. Mantenha sempre um bom posicionamento e equilíbrio.
3. Coloque sempre o corpo da lavadora de alta pressão sobre uma superfície nivelada e estável. Evite áreas nas quais a água ejetada escorra ou acumule.
4. Antes de limpar, verifique os arredores e os objetos a limpar. Os jatos de alta pressão podem raspar tinta ou outros tratamentos de superfície, incluindo produtos químicos tóxicos. Adote as medidas preventivas, se necessário.
5. Tenha cuidado para não tropeçar na mangueira da lavadora de alta pressão. Tenha sempre atenção à configuração da mangueira durante a operação.
6. Durante a utilização, uma pequena quantidade de água sairá do fundo da lavadora de alta pressão. Tenha cuidado para não operar a ferramenta acima das áreas que não pretende que sejam molhadas.

Segurança pessoal

1. Para se protegerem contra o jato e os objetos soprados pelo jato, os operadores devem usar vestuário apropriado, tal como botas de segurança, luvas de proteção, capacetes de proteção com viseiras, proteção auditiva, etc.
2. Use equipamento de proteção pessoal. Dependendo da aplicação, utilize protetor facial, óculos de segurança ou óculos de proteção, dado que a proteção ocular é capaz de impedir detritos projetados gerados por várias operações.
3. Não utilize a lavadora de alta pressão dentro do alcance de pessoas, exceto se estas

- estiverem a usar equipamento de proteção pessoal.
4. Para reduzir o risco de lesão, é necessária uma supervisão rigorosa quando o produto estiver a ser utilizado próximo de crianças.
 5. Se a ligação for estabelecida a um sistema de água potável, o sistema deve estar protegido contra retorno.
 6. A água que fluiu através da válvula anti-retorno é considerada imprópria para consumo.

Segurança elétrica

1. Nunca toque nas baterias com as mãos molhadas.
2. Não utilize o aparelho se as peças importantes do aparelho estiverem danificadas, por exemplo, dispositivos de segurança, mangueiras de pressão.
3. Evite ambientes perigosos. Não utilize a ferramenta em locais húmidos ou molhados, nem a exponha à chuva. A água que entra na ferramenta aumenta o risco de choque elétrico.

Utilização e conservação da ferramenta elétrica

1. Leia todas as instruções antes de utilizar o produto.
2. Saiba como parar a lavadora de alta pressão e purgar rapidamente as pressões. Familiarize-se completamente com os controles.
3. Não pulverize líquidos inflamáveis e/ou tóxicos. Isto poderá causar uma explosão, intoxicação ou danos no aparelho.
4. Não direcione o jato contra si próprio ou contra outros para lavar roupas ou calçado.
5. As mangueiras de pressão, os acessórios e os acoplamentos são importantes para a segurança do aparelho. Utilize apenas mangueiras, acessórios e acoplamentos recomendados pelo fabricante.
6. Siga as instruções quando substituir acessórios.
7. Mantenha as pegas secas, limpas e sem óleo ou gordura.
8. Mantenha-se alerta - esteja atento ao trabalho.
9. Não opere o produto quando estiver cansado ou sob a influência de álcool ou medicamentos.
10. Não opere a lavadora de alta pressão sem água durante mais de um minuto. Isso causará danos no motor, resultando em anomalia.
11. Desligue sempre a alimentação elétrica e desligue o abastecimento de água quando deixar a lavadora de alta pressão sem supervisão.
12. Tenha cuidado com o retorno. O aparelho recua quando o jato de pressão é ejetado do bocal. Segure firmemente o aparelho para evitar lesões acidentais.
13. Verifique se existem peças danificadas ou gastas antes de utilizar o aparelho. Além disso, certifique-se de que a mangueira está ligada corretamente e que não ocorrem fugas durante a operação. Operar o aparelho com defeitos funcionais poderá causar um acidente.

14. Não puxe a mangueira para mover o corpo da lavadora de alta pressão. Tal danificará a mangueira e as peças de ligação, resultando num curto-circuito ou em defeitos funcionais.
15. Não coloque objetos pesados na mangueira nem permita que veículos passem sobre esta.
16. Alivie sempre a pressão residual no aparelho antes de desligar a mangueira.
17. Quando ligar a mangueira à rede de abastecimento de água, cumpra as instruções do departamento ou empresa de abastecimento de água local.
18. Se a lavadora de alta pressão cair ou bater contra um objeto rijo, certifique-se de que verifica se existem danos e fendas. A utilização da lavadora de alta pressão danificada pode gerar fumo ou incêndio ou causar choque elétrico, o que provoca ferimentos pessoais.
19. Previna o arranque não intencional. Assegure que o interruptor está na posição de desligado antes de ligar à bateria, pegar no aparelho ou transportá-lo. Transportar o aparelho com o dedo no interruptor ou dar energia a um aparelho que tenha o interruptor ligado pode dar origem a acidentes.
20. Desligue a bateria do aparelho antes de realizar quaisquer ajustes, mudar os acessórios ou guardar o aparelho. Estas medidas preventivas de segurança reduzem o risco de pôr o aparelho a funcionar acidentalmente.
21. Não modifique ou tente reparar o aparelho ou a bateria, exceto conforme indicado nas instruções de utilização e conservação.
22. AVISO - Risco de injeção ou ferimentos - Não direcione o fluxo de descarga para pessoas.
23. Certifique-se de que um objeto ou área a limpar é resistente a humedecimento. Caso contrário, pode causar danos no item ou local que resultam em ferimentos pessoais.

Utilização e cuidados com a ferramenta a bateria

1. Recarregue apenas com o carregador especificado pelo fabricante. Um carregador adequado para um tipo de bateria pode criar um risco de incêndio quando utilizado com outra bateria.
2. Utilize as ferramentas elétricas apenas com as baterias especificamente designadas. A utilização de uma bateria diferente pode criar um risco de ferimentos e de incêndio.
3. Quando a bateria não está a ser utilizada, mantenha-a afastada de outros objetos metálicos, como cliques, moedas, chaves, pregos, parafusos ou outros objetos metálicos pequenos que possam fazer a ligação entre os dois terminais. Colocar os terminais da bateria em curto-circuito um com o outro pode provocar queimaduras ou um incêndio.
4. Em condições abusivas, o líquido pode ser ejetado da bateria; evite o contacto com o mesmo. Se ocorrer um contacto acidental, lave com água. Se o líquido entrar em contacto com os olhos, procure também assistência médica. O líquido ejetado da bateria pode provocar irritações ou queimaduras.
5. Não utilize um conjunto de baterias ou uma

ferramenta que se encontrem danificados ou modificados. As baterias danificadas ou modificadas poderão exibir um comportamento imprevisível, resultando em incêndio, explosão ou risco de lesão.

6. **Não exponha um conjunto de baterias ou uma ferramenta a incêndio ou temperatura excessiva.** A exposição a incêndio ou a uma temperatura superior a 130 °C poderá causar uma explosão.
7. **Siga todas as instruções de carregamento e não carregue o conjunto de baterias ou ferramenta fora da amplitude de temperaturas especificada nas instruções.** O carregamento impróprio ou a temperaturas fora da amplitude especificada poderá danificar a bateria e aumentar o risco de incêndio.

Assistência

1. **Siga as instruções de manutenção especificadas no manual.**
2. **Para garantir a segurança do aparelho, utilize apenas peças sobresselentes originais do fabricante ou aprovadas pelo fabricante.**
3. **Solicite assistência por um técnico de reparação qualificado para a sua lavadora de alta pressão utilizando apenas peças de substituição idênticas.** Isso irá assegurar que a segurança da lavadora de alta pressão é mantida.
4. **No caso de avaria ou anomalia da lavadora de alta pressão, desligue-a imediatamente e remova a(s) bateria(s).** Contacte o seu distribuidor local ou centro de assistência.

Avisos adicionais de segurança

1. **Não utilize a ferramenta quando existe o risco de relâmpagos.**
2. **Quando utilizar a ferramenta em terreno lamacento, declives húmidos ou local escorregadio, preste atenção ao seu posicionamento.**
3. **Evite trabalhar num ambiente adverso no qual se preveja um aumento da fadiga do utilizador.**
4. **Não substitua a bateria à chuva.**
5. **Não submerja a ferramenta numa poça.**
6. **Quando guardar a ferramenta, evite a luz solar direta e a chuva e guarde-a num local onde não fique quente ou húmido.**
7. **Após utilizar a ferramenta, remova a sujidade aderida e seque a ferramenta completamente antes de guardá-la.** Dependendo da estação do ano ou da área, existe um risco de avaria devido a congelamento.
8. **Não molhe o terminal da bateria com líquido, tal como água, nem submerja a bateria.** Não deixe a bateria à chuva nem carregue, utilize ou guarde a bateria num local húmido ou molhado. Se o terminal ficar molhado ou entrar líquido para a bateria, a bateria pode entrar em curto-circuito e existe um risco de sobreaquecimento, incêndio ou explosão.
9. **Após remover a bateria da ferramenta ou do carregador, certifique-se de que prende a tampa da bateria à bateria e guarde-a num local seco.**
10. **Não substitua a bateria com as mãos molhadas.**

11. **Se o aparelho estiver congelado devido ao tempo frio, contacte um centro de assistência autorizado para reparações.**
12. **Não utilize uma fonte de alimentação com fio como um adaptador da bateria ou adaptador de baterias tipo mochila com este aparelho.** O cabo de tal fonte de alimentação pode impedir a operação e resultar em ferimentos pessoais.

GUARDE ESTAS INSTRUÇÕES.

⚠️AVISO: NÃO permita que o conforto ou a familiaridade com o produto (adquirido com o uso repetido) substitua a adesão estrita às regras de segurança da ferramenta.

A MÁ INTERPRETAÇÃO ou o não seguimento das regras de segurança estabelecidas neste manual de instruções pode causar danos pessoais graves.

Instruções de segurança importantes para a bateria

1. **Antes de utilizar a bateria, leia todas as instruções e etiquetas de precaução no (1) carregador de bateria (2) bateria e (3) produto que utiliza a bateria.**
2. **Não desmonte ou manipule a bateria.** Pode resultar num incêndio, em calor excessivo ou numa explosão.
3. **Se o tempo de funcionamento se tornar excessivamente curto, pare o funcionamento imediatamente.** Pode resultar em sobreaquecimento, possíveis queimaduras e mesmo explosão.
4. **Se entrar eletrólito nos seus olhos, lave-os com água e consulte imediatamente um médico.** Pode resultar em perda de visão.
5. **Não coloque a bateria em curto-circuito:**
 - (1) Não toque nos terminais com qualquer material condutor.
 - (2) Evite guardar a bateria juntamente com outros objetos metálicos tais como pregos, moedas, etc.
 - (3) Não exponha a bateria à água ou chuva. Um curto-circuito pode ocasionar um enorme fluxo de corrente, sobreaquecimento, possíveis queimaduras e mesmo estragar-se.
6. **Não guarde nem utilize a ferramenta e a bateria em locais onde a temperatura pode atingir ou exceder 50 °C.**
7. **Não queime a bateria mesmo que esteja estragada ou completamente gasta.** A bateria pode explodir no fogo.
8. **Não pregue, corte, esmague, atire, deixe cair a bateria, nem bata a bateria contra um objeto rijo.** Esta conduta pode resultar num incêndio, em calor excessivo ou numa explosão.
9. **Não utilize uma bateria danificada.**
10. **As baterias de íões de lítio contidas na ferramenta são sujeitas aos requisitos da DGL (Dangerous Goods Legislation - Legislação de bens perigosos).**
Para o transporte comercial, por exemplo, por

terceiros ou agentes de expedição, têm de ser observados os requisitos referentes à embalagem e etiquetagem.

Para preparação do artigo a ser expedido, é necessário consultar um perito em materiais perigosos. Tenha ainda em conta a possibilidade de existirem regulamentos nacionais mais detalhados.

Coloque fita-cola ou tape os contactos abertos e embale a bateria de tal forma que não possa mover-se dentro da embalagem.

11. **Quando eliminar a bateria, remova-a da ferramenta e elimine-a num local seguro. Siga os regulamentos locais relacionados com a eliminação de baterias.**
12. **Utilize as baterias apenas com os produtos especificados pela Makita.** Instalar as baterias em produtos não-conformes poderá resultar num incêndio, calor excessivo, explosão ou fuga de eletrólito.
13. **Se a ferramenta não for utilizada durante um período de tempo prolongado, a bateria deve ser removida da ferramenta.**
14. **Durante e após a utilização, a bateria pode aquecer, o que pode provocar queimaduras ou queimaduras a baixa temperatura. Preste atenção ao manuseamento de baterias quentes.**
15. **Não toque no terminal da ferramenta imediatamente após a utilização, pois pode ficar suficientemente quente para provocar queimaduras.**
16. **Não permita a adesão de aparas, pó ou sujidade nos terminais, nos orifícios e nas ranhuras da bateria.** Poderá fazer com que a ferramenta ou a bateria aqueça, incendeie, rebente e avarie, resultando em queimaduras ou ferimentos corporais.
17. **A menos que a ferramenta suporte a utilização perto de linhas elétricas de alta tensão, não utilize a bateria perto de linhas elétricas de alta tensão.** Pode resultar no mau funcionamento ou na avaria da ferramenta ou bateria.
18. **Mantenha a bateria afastada das crianças.**

GUARDE ESTAS INSTRUÇÕES.

⚠️PRECAUÇÃO: Utilize apenas baterias genuínas da Makita. A utilização de baterias não genuínas da Makita ou de baterias que foram alteradas, pode resultar no rebentamento da bateria provocando incêndios, ferimentos pessoais e danos. Além disso, anulará da garantia da Makita no que se refere à ferramenta e ao carregador Makita.

Conselhos para manter a máxima vida útil da bateria

1. **Carregue a bateria antes que esteja completamente descarregada. Pare sempre o funcionamento da ferramenta e carregue a bateria quando notar menos poder na ferramenta.**
2. **Nunca carregue uma bateria completamente carregada. Carregamento excessivo diminui a vida útil da bateria.**
3. **Carregue a bateria à temperatura ambiente de 10 °C – 40 °C. Deixe que uma bateria quente**

arrefeça antes de a carregar.

4. **Quando não utilizar a bateria, remova-a da ferramenta ou do carregador.**
5. **Carregue a bateria se não a utilizar durante um longo período de tempo (mais de seis meses).**

DESCRIÇÃO FUNCIONAL

⚠️PRECAUÇÃO: Certifique-se sempre de que a ferramenta está desligada e a bateria foi retirada antes de regular ou verificar qualquer função na ferramenta.

Instalação ou remoção da bateria

⚠️PRECAUÇÃO: Desligue sempre a ferramenta antes de colocar ou retirar a bateria.

⚠️PRECAUÇÃO: Segure firmemente a ferramenta e a bateria quando instalar ou remover a bateria. Se não segurar firmemente a ferramenta e a bateria pode fazer com que escorreguem das suas mãos resultando em danos na ferramenta e na bateria e ferimentos pessoais.

⚠️PRECAUÇÃO: Tenha cuidado para não prender os dedos quando abrir ou fechar a tampa da bateria.

Abra a tampa enquanto empurra a alavanca de bloqueio.

► **Fig.1:** 1. Tampa 2. Alavanca de bloqueio

Alinhe a lingueta na bateria com a ranhura no compartimento e deslize-a para a posição correta. Insira-a completamente até bloquear na posição correta com um pequeno clique. Se conseguir ver o indicador vermelho conforme apresentado na figura, não está completamente bloqueada.

► **Fig.2:** 1. Indicador vermelho 2. Botão 3. Bateria

Certifique-se de que fecha a tampa após instalar ou remover as baterias.

Para remover a bateria, abra a tampa, deslize a bateria para fora da ferramenta enquanto pressiona o botão na frente e, em seguida, feche a tampa.

⚠️PRECAUÇÃO: Instale sempre a bateria até ao fim, até deixar de ver o indicador vermelho. Caso contrário, a bateria poderá cair da ferramenta acidentalmente e provocar ferimentos em si mesmo ou em alguém próximo.

⚠️PRECAUÇÃO: Não instale a bateria à força. Se a bateria não deslizar facilmente é porque não foi colocada corretamente.

⚠️PRECAUÇÃO: Certifique-se de que bloqueia a tampa antes da operação.

Sistema de proteção da ferramenta/bateria

A ferramenta está equipada com um sistema de proteção da ferramenta/bateria. Este sistema desliga

automaticamente a alimentação do motor para prolongar a vida útil da ferramenta e da bateria. A ferramenta para automaticamente com indicação se a ferramenta ou a bateria for colocada numa das seguintes condições:

► **Fig.3:** 1. Indicador

Proteção contra sobrecarga

Quando a ferramenta ou a bateria é operada de tal forma que a faça retirar uma corrente anormalmente alta, a ferramenta para automaticamente e o indicador vermelho acende. Nesta situação, desligue a ferramenta e pare a aplicação que causou a sobrecarga da ferramenta. Em seguida, ligue a ferramenta para reiniciar.

Proteção contra sobreaquecimento

Quando a ferramenta ou a bateria estiver sobreaquecida, a ferramenta para automaticamente e o indicador vermelho acende. Nesta situação, deixe a ferramenta arrefecer antes de voltar a ligar a ferramenta.

Proteção contra descarga excessiva

Quando a capacidade da bateria ficar fraca, o indicador vermelho pisca. Quando a bateria estiver quase esgotada, a ferramenta para automaticamente e o indicador vermelho acende. Neste caso, remova a bateria da ferramenta e carregue-a.

Proteções contra outras causas

O sistema de proteção foi também concebido para outras causas que possam danificar a ferramenta e permite à ferramenta parar automaticamente. Tome todas as medidas que se seguem para eliminar as causas quando a ferramenta tiver parado ou interrompido temporariamente a operação.

1. Desligue a ferramenta e, em seguida, volte a ligá-la para reiniciar.
2. Carregue a(s) bateria(s) ou substitua-a(s) por bateria(s) recarregada(s).
3. Deixe a ferramenta e a(s) bateria(s) arrefecerem.

Se não for possível constatar qualquer melhoria através do restauro do sistema de proteção, contacte o centro de assistência Makita local.

OBSERVAÇÃO: Se a ferramenta parar devido a uma causa não descrita acima, consulte a secção de resolução de problemas.

Indicação da capacidade restante da bateria

Apenas para baterias com indicador

Prima o botão de verificação na bateria para indicar a capacidade restante da bateria. As luzes indicadoras acendem durante alguns segundos.

► **Fig.4:** 1. Luzes indicadoras 2. Botão de verificação

Luzes indicadoras			Capacidade restante
Acenso	Apagado	A piscar	
■ ■ ■ ■			75% a 100%
■ ■ ■ □			50% a 75%
■ ■ □ □			25% a 50%
■ □ □ □			0% a 25%
▣ □ □ □			Carregar a bateria.
■ ■ □ □			A bateria pode estar avariada.
□ □ ■ ■	↑ ↓		

NOTA: Dependendo das condições de utilização e da temperatura ambiente, a indicação pode ser ligeiramente diferente da capacidade real.

NOTA: A primeira luz indicadora (extremo esquerdo) pisca quando o sistema de proteção da bateria funciona.

Interruptor do modo de pressão

Selecione o modo de pressão pretendido, deslizando a alavanca do interruptor para a frente e para trás. Puxe a alavanca para trás para o modo de baixa pressão para que o símbolo de um número "1" seja indicado no interruptor.

Empurre a alavanca para a frente para o modo de alta pressão para que o símbolo de um número "2" seja indicado no interruptor.

► **Fig.5:** 1. Modo de baixa pressão (1) 2. Modo de alta pressão (2) 3. Alavanca do interruptor do modo de pressão

Gatilho do interruptor

A lavadora de alta pressão aplica um bloqueio de segurança no gatilho. Para soltar o bloqueio do gatilho, pressione o botão de bloqueio no gatilho, de modo que a superfície do gatilho fique plana.

Puxe o gatilho do interruptor para ejetar um jato de água. O jato continua enquanto o gatilho é apertado.

► **Fig.6:** 1. Gatilho do interruptor 2. Botão de bloqueio

Empurre o botão de bloqueio para trás para fora do interior do gatilho para engatar o bloqueio do gatilho. Certifique-se de que bloqueia o gatilho quando a lavadora de alta pressão não está a ser utilizada.

► **Fig.7:** 1. Gatilho do interruptor 2. Botão de bloqueio

Funções do bocal

O bocal de pulverização multipadrão (5 em 1) dispõe de uma gama de padrões de pulverização que pode ajustar dependendo das suas necessidades de lavagem. Ao combinar cinco dos padrões de pulverização mais utilizados num bocal, deixa de ser necessário trocar de

bocal, bastando marcar o padrão de pulverização correto para a sua tarefa.

Troca simples dos bocais, 0°, 15°, 25°, 40° e chuveiro

► Fig.8

- Fig.9: 1. Símbolo do padrão de pulverização
2. Marca triangular

Rode a cabeça do bocal para a esquerda ou para a direita para a posição pretendida de padrão de pulverização. Alinhe corretamente o símbolo do padrão de pulverização que pretende selecionar com a marca triangular para que a cabeça do bocal bloqueie com um clique.

► Fig.10

OBSERVAÇÃO: Tenha cuidado para não colocar a cabeça do bocal numa posição não encaixada. Caso contrário, a ferramenta poderá criar padrões de pulverização irregulares resultando em fugas de água.

PRECAUÇÃO: Tente não rodar o corpo do bocal em conjunto enquanto altera os padrões de pulverização. O bocal pode sair do corpo da ferramenta e causar uma lesão física.

Válvula de segurança

Esta ferramenta está equipada com uma válvula de segurança que evita a ocorrência de pressão excessiva indevida.

PRECAUÇÃO: Não modifique ou ajuste a definição da válvula de segurança.

MONTAGEM

PRECAUÇÃO: Certifique-se sempre de que a ferramenta está desligada e a bateria retirada antes de executar qualquer trabalho na ferramenta.

Instalar o bocal e a extensão da lança

PRECAUÇÃO: Bloqueie sempre o gatilho do interruptor enquanto prende/desprende um bocal e tubo de extensão.

Bocal

Alinhe as projeções de guia na extremidade do bocal com as ranhuras de bloqueio na caixa da ferramenta. Empurre o bocal completamente para dentro até que as duas marcas triangulares no bocal e a caixa fiquem voltadas entre si. Em seguida, rode o bocal na direção apresentada na figura para acionar o bloqueio. Tendo instalado o bocal, tente puxá-lo para trás para garantir que está firmemente fixado na devida posição.

- Fig.11: 1. Bocal 2. Projeção de guia 3. Ranhura de bloqueio 4. Marcas triangulares 5. Contorno tipo barbatana pélvica

NOTA: Certifique-se de que roda um contorno tipo barbatana pélvica voltado para baixo.

Para desprender o bocal, pressione e mantenha o bocal na direção da caixa da ferramenta e, em seguida, rode-o no sentido contrário até que as duas marcas triangulares fiquem voltadas entre si. Separe o bocal da caixa da ferramenta após desbloquear.

Extensão da lança

Humedecer pontos de difícil acesso. Instale a extensão da lança entre a caixa da ferramenta e o bocal seguindo os mesmos passos descritos para a instalação do bocal.

- Fig.12: 1. Extensão da lança 2. Caixa da ferramenta 3. Bocal 4. Projeções de guia 5. Ranhuras de bloqueio 6. Marcas triangulares

Para desprender os acessórios, pressione e mantenha o acessório da ponta na direção do acessório do suporte/da caixa e, em seguida, rode-o no sentido contrário até que as duas marcas triangulares fiquem voltadas entre si. Separe o acessório da ponta do acessório do suporte/da caixa após desbloquear.

Ligar ao abastecimento de água do tanque

OBSERVAÇÃO: Utilize sempre a mangueira de pressão e o filtro fornecidos com esta ferramenta para abastecer água.

OBSERVAÇÃO: Mantenha sempre um intervalo de 2,0 m ou inferior em altura entre a entrada da lavadora de alta pressão e a superfície da água. Caso contrário, a lavadora de alta pressão não conseguirá absorver a água para a bomba.

OBSERVAÇÃO: Certifique-se de que enche um recipiente de água a mais de 25 mm de espessura do fundo e submerja o filtro completamente na água.

A água pode ser abastecida a partir de um tanque/recipiente/reservatório de qualquer tamanho.

O humedecimento fornecido por um tanque atende a tais situações de humedecimento a pressão, por exemplo, lavagem de viaturas e jardinagem, etc., em que a água não está disponível e tem de ser transportada para a área ou local de lavagem.

1. Prenda o filtro numa extremidade da mangueira de pressão.

Insira a saída do filtro na bucha de acoplamento e empurre-a até que o filtro esteja fixado na devida posição.

- Fig.13: 1. Filtro 2. Bucha de acoplamento 3. Mangueira de pressão

2. Deixe o filtro no fundo do recipiente de água.

- Fig.14: 1. Filtro 2. Mangueira de pressão 3. Gancho da mangueira

NOTA: Pendure a mangueira ao longo da abertura, utilizando um gancho de mangueira fornecido de modo que o filtro assente no fundo do recipiente.

3. Prenda a outra extremidade da mangueira ao

conector da mangueira de água na lavadora de alta pressão.

Coloque a bucha de acoplamento sobre a entrada do conector e empurre-a até que a bucha de acoplamento fique fixa na devida posição.

► **Fig.15:** 1. Bucha de acoplamento 2. Conector da mangueira de água

⚠PRECAUÇÃO: Certifique-se de que a mangueira de alta pressão está firmemente ligada. Uma ligação solta poderá causar a ejeção da mangueira de alta pressão, resultando em lesão física.

OBSERVAÇÃO: Insira água na lavadora de alta pressão e na mangueira previamente sempre que pretender obter água a partir de uma certa profundidade no modo de alta pressão.

Ligar ao abastecimento de água da rede

⚠PRECAUÇÃO: Utilize sempre a mangueira de pressão fornecida com esta ferramenta para abastecer água.

OBSERVAÇÃO: Se ligar à rede de abastecimento para água potável, utilize uma válvula anti-retorno que cumpra os normas na sua região.

OBSERVAÇÃO: Mantenha uma pressão de alimentação da água de entrada inferior a 0,5 MPa para alimentação precisa. Não exceda a pressão de alimentação máxima pois pode causar fugas quando a ferramenta interromper o funcionamento.

A água pode ser abastecida a partir da rede de abastecimento de água que esteja disponível na área ou local de lavagem.

Um abastecimento de água contínuo permite que não se importe de reabastecer água e permite efetuar uma limpeza doméstica e jardinagem mais eficientes, tal como limpeza localizada, lavagem e rega numa vasta área de relvado ou vegetação.

1. Ligue a mangueira de pressão à torneira.

Aplice um acessório adequado, tal como uma junta da torneira de água, para fixar a extremidade da mangueira na torneira.

► **Fig.16:** 1. Junta da torneira de água 2. Bucha de acoplamento 3. Mangueira de pressão

NOTA: O tipo de acessório depende da forma da torneira à qual estabelece ligação. Prepare um acessório comercializado adequado.

2. Prenda a outra extremidade da mangueira ao conector da mangueira de água na lavadora de alta pressão.

Coloque a bucha de acoplamento sobre a entrada do conector e empurre-a até que a bucha de acoplamento fique fixa na devida posição.

► **Fig.17:** 1. Bucha de acoplamento 2. Conector da mangueira de água

Instalar o bocal de espuma

Acessório opcional

⚠PRECAUÇÃO: Bloqueie sempre o gatilho do interruptor enquanto prende/desprende acessórios opcionais.

OBSERVAÇÃO: Utilize apenas detergentes neutros. Não utilize detergentes domésticos, detergentes ácidos, detergentes alcalinos, lixívia, solventes, material inflamável ou soluções para fins industriais que possam danificar a ferramenta ou a sua propriedade. Prepare a solução de limpeza conforme instruções indicadas na garrafa da solução e teste-a sempre antes num local discreto.

OBSERVAÇÃO: Se for utilizado um detergente altamente viscoso, é provável que o bocal fique entupido. Quando utilizar o detergente de alta viscosidade, dilua o detergente adicionando água ao frasco antes da utilização.

NOTA: Quando utilizar o bocal de espuma, o detergente na garrafa é diluído com a água fornecida pela ferramenta e pulverizado. Não tem de diluir a concentração de detergente na garrafa além do necessário. Ajuste a concentração de detergente enquanto verifica as condições de utilização.

NOTA: Se o bocal de espuma for inclinado na lateral, o detergente pode derramar.

Prepare um detergente antes de utilizar o bocal de espuma.

1. Encha o tanque com detergente. Prenda o bocal ao tanque e aperte a tampa firmemente.

2. Incline o bocal de espuma para alinhar as respetivas projeções de guia com as ranhuras de bloqueio na caixa da ferramenta. Empurre o bocal completamente para dentro e segure-o na devida posição. Em seguida, rode o bocal de espuma na direção apresentada na figura para acionar o bloqueio.

► **Fig.18:** 1. Bocal de espuma 2. Tanque 3. Projeção de guia 4. Ranhura de bloqueio

Tendo instalado o bocal, tente puxá-lo para trás para garantir que está firmemente fixado na devida posição.

3. Rode o botão rotativo de detergente para ajustar o volume de sucção da solução de detergente.

► **Fig.19:** 1. Botão rotativo de detergente 2. Botão rotativo para mínimo 3. Botão rotativo para máximo

Instalar bocais opcionais

Acessório opcional

⚠PRECAUÇÃO: Bloqueie sempre o gatilho do interruptor enquanto prende/desprende acessórios opcionais.

Alinhe as projeções de guia num bocal opcional com as ranhuras de bloqueio na caixa da ferramenta. Empurre o bocal completamente para dentro e segure-o na devida posição. Em seguida, rode o bocal na direção apresentada na figura para acionar o bloqueio.

Tendo instalado o bocal, tente puxá-lo para trás para garantir que está firmemente fixado na devida posição.

► **Fig.20:** 1. Bocais 2. Projeção de guia 3. Ranhura de bloqueio

Para desprender o bocal, pressione e mantenha o bocal na direção da caixa da ferramenta e, em seguida, rode-o no sentido contrário para soltar o bloqueio. Separe o bocal da lavadora de alta pressão após desbloquear.

Instalar o adaptador de garrafas de plástico

Acessório opcional

⚠PRECAUÇÃO: Bloqueie sempre o gatilho do interruptor enquanto prende/desprende acessórios opcionais.

⚠PRECAUÇÃO: Certifique-se de que prende o adaptador de garrafas de plástico firmemente na lavadora de alta pressão e na garrafa de plástico. Caso contrário, poderá causar a queda da garrafa, resultando em ferimentos.

NOTA: Alguns tipos de garrafas de plástico não podem ser presos.

(Utilize a garrafa de plástico com um diâmetro exterior de parafuso de 28 mm (1-1/8").)

NOTA: A utilização de uma garrafa de plástico de 2 litros (meio galão) pode ser preferível para conter água.

1. Encha água numa garrafa de plástico.
2. Lance o tubo de sucção através da abertura da garrafa.
3. Prenda o adaptador à garrafa enroscando a porca da bucha de acoplamento.
4. Prenda o adaptador de garrafas de plástico ao conector da mangueira de água na lavadora de alta pressão.

Coloque a bucha de acoplamento sobre a entrada do conector e empurre-a até que a bucha de acoplamento fique fixa na devida posição.

► **Fig.21:** 1. Adaptador de garrafas de plástico
2. Tubo de sucção 3. Garrafa de plástico
4. Conector da mangueira de água

OPERAÇÃO

⚠AVISO: Não toque no jato de água nem direcione o jato para si ou para outras pessoas. O jato de água é perigoso e pode magoá-lo a si ou a outros.

⚠AVISO: Quando disparar o jato de água, nunca segure o objeto que estiver a limpar nem coloque as mãos e os pés próximo do jato de água.

⚠PRECAUÇÃO: Não opere a lavadora de alta pressão sem água durante mais de 1 minuto(s).

⚠PRECAUÇÃO: Não opere a lavadora de alta pressão por um período prolongado. Isso poderá causar sobreaquecimento ou incêndio. Além disso, a utilização a longo prazo poderá causar transtorno de vibração.

⚠PRECAUÇÃO: Tenha cuidado com a direção do vento. Se o detergente entrar para os seus olhos ou boca, lave imediatamente com água limpa e procure cuidados médicos, se necessário.

OBSERVAÇÃO: Para proteger o mecanismo da lavadora de alta pressão, não utilize água com temperatura superior a 40°C (104°F).

OBSERVAÇÃO: Não utilize um abastecimento de água não tratada como, por exemplo, água de rio, água de tanque e água arenosa ou lamacenta. A água suja não filtrada pode provocar a acumulação de materiais indesejados na bomba dando origem a avarias.

Altura de elevação da água

A altura vertical desde a fonte de água até à entrada de sucção da água da lavadora de alta pressão tem de estar dentro de 2,0 m.

Profundidade da água de poço

Encha um recipiente de água a mais de 25 mm de espessura do fundo.

► **Fig.22:** 1. Altura de elevação da água
2. Profundidade da água de poço

Passos de funcionamento básico

1. Ligue a entrada da mangueira de água ao abastecimento de água.
 2. Ligue a saída da mangueira de água à lavadora de alta pressão.
- **Fig.23**
3. Se a água residual na lavadora de alta pressão tiver sido descarregada desde a última utilização, insira água na mangueira de pressão e na lavadora de alta pressão.

Deixe a água fluir na mangueira e na lavadora até que qualquer ar retido nestas seja libertado.

- (1) Remova o bocal da lavadora de alta pressão.
- (2) Instale a bateria na lavadora de alta pressão.
- (3) Selecione o modo de alta pressão.
- (4) Desbloqueie o gatilho do interruptor.
- (5) Aperte e mantenha o gatilho do interruptor até que a lavadora de alta pressão gere um jato de água estável.

► **Fig.24:** 1. Alavanca do interruptor do modo de pressão

Após permitir a saída de bloqueios de ar da lavadora de alta pressão e da mangueira, solte o gatilho do interruptor.

Remova a bateria da lavadora de alta pressão e prenda o bocal adequado para a sua finalidade.

4. Abra a tampa e instale a bateria na lavadora de alta pressão e, em seguida, bloqueie a tampa.

► **Fig.25:** 1. Bateria 2. Tampa

⚠️PRECAUÇÃO: Tenha cuidado para não prender os dedos quando abrir ou fechar a tampa da bateria.

5. Selecione o modo de pressão pretendido. Em seguida, desbloqueie o gatilho do interruptor.
▶ **Fig.26:** 1. Alavanca do interruptor do modo de pressão 2. Gatilho do interruptor 3. Botão de bloqueio
6. Aponte a cabeça do bocal na direção da área ou local de humedecimento. Aperte o gatilho do interruptor. O jato de água continua enquanto o gatilho é apertado.
▶ **Fig.27**
▶ **Fig.28**

⚠️PRECAUÇÃO: Mantenha a lavadora de alta pressão firmemente. A ferramenta recua quando puxa o gatilho do interruptor.

⚠️PRECAUÇÃO: Segure sempre a lavadora de alta pressão pelo punho e pelo cano quando ejetar um jato de água.

Após a utilização

⚠️PRECAUÇÃO: Após operar a lavadora de alta pressão, realize sempre o procedimento descrito neste manual. A pressão residual na lavadora de alta pressão pode causar lesão física ou danos no interior da bomba.

1. Solte o gatilho do interruptor e bloqueie-o utilizando o botão de bloqueio.
2. Desligue a mangueira de água do abastecimento de água.
▶ **Fig.29**
3. Desbloqueie o gatilho do interruptor e aperte-o até que a água residual na lavadora de alta pressão e na mangueira seja descarregada.
▶ **Fig.30**

⚠️OBSERVAÇÃO: Não opere o motor durante mais de 1 minuto(s).

4. Solte o gatilho do interruptor e bloqueie-o utilizando o botão de bloqueio. Em seguida, remova a bateria da lavadora de alta pressão.
▶ **Fig.31:** 1. Botão de bloqueio 2. Bateria
5. Desligue a mangueira de pressão da lavadora de alta pressão.
▶ **Fig.32:** 1. Bucha de acoplamento 2. Conector da mangueira de água

⚠️OBSERVAÇÃO: Para impedir que a mangueira de pressão sofra danos, remova a água residual na mangueira antes de guardá-la.

MANUTENÇÃO

⚠️PRECAUÇÃO: Certifique-se sempre de que a ferramenta está desligada e que a bateria foi removida antes de tentar realizar qualquer inspeção ou manutenção.

⚠️OBSERVAÇÃO: Nunca utilize gasolina, benzina, diluente, álcool ou produtos semelhantes. Pode ocorrer a descoloração, deformação ou rachaduras.

Para manter a SEGURANÇA e a FIABILIDADE do produto, as reparações e qualquer outra manutenção ou ajuste devem ser levados a cabo pelos centros de assistência Makita autorizados ou pelos centros de assistência de fábrica, utilizando sempre peças de substituição Makita.

Limpar os bocais

Utilize o pino de limpeza, um dedo do tipo lima pequeno, para remover sujidade obstruída das aberturas dos bocais.

▶ **Fig.33:** 1. Pino de limpeza 2. Bocal

NOTA: Para manter o desempenho ideal, limpe o bocal periodicamente.

⚠️OBSERVAÇÃO: Não remova sujidade ou resíduos à força. Isso poderá resultar em lesão física ou danos no orifício de ejeção, causando ângulos de jato divergentes ou fraco desempenho.

Limpar os filtros

Desprenda o conector da mangueira de água da lavadora de alta pressão. Remova o pó ou sujidade aderidos no filtro.

▶ **Fig.34:** 1. Conector da mangueira de água 2. Filtro 3. Anel vedante

Desmonte o filtro desenroscando a caixa do filtro. Remova o pó ou sujidade aderidos no filtro.

▶ **Fig.35:** 1. Filtro 2. Caixa do filtro

NOTA: Para manter um desempenho otimizado, limpe o filtro periodicamente.

RESOLUÇÃO DE PROBLEMAS

Antes de pedir uma reparação, realize primeiro a sua própria inspeção. Se encontrar um problema que não esteja explicado no manual, não tente desmontar a ferramenta. Em vez disso, peça as reparações nos centros de assistência técnica autorizados da Makita, usando sempre peças de substituição da Makita.

Estado da anomalia	Causa provável (avaria)	Correção
A lavadora não arranca.	Sem eletricidade	Instale a bateria carregada.
	O gatilho do interruptor está bloqueado.	Desbloqueie o gatilho do interruptor.
	Bateria danificada ou circuito elétrico danificado	Contacte um centro de assistência autorizado para reparações.
Sem jato de água / jato de água fraco	Sem abastecimento de água	Certifique-se de que a torneira está aberta. Se ligar ao abastecimento de água do tanque, insira água na lavadora de alta pressão e na mangueira.
	Fraco abastecimento de água	Ligue a torneira.
	Fraca ligação da mangueira de água	Verifique a ligação entre a lavadora de alta pressão e o abastecimento de água.
	Mangueira de água deformada ou gasta	Endireite a mangueira. Substitua a mangueira de água danificada por uma nova.
	Mangueira ou bocal entupidos	Desentupa a mangueira ou o bocal.
	Filtros obstruídos	Remova o pó ou sujidade aderidos aos filtros no filtro e o conector da mangueira de água.
	Resíduos/água contaminada	Limpe o sistema de água e reabasteça com água limpa.
	Bocal danificado ou gasto	Substitua o bocal.
	Anomalia na bomba ou válvula	Contacte um centro de assistência autorizado para reparações.
	Junta de água solta	Fixe a ligação entre a mangueira de água e as buchas de acoplamento.
	Fugas da ligação de abastecimento de água	Reaperte a ligação entre a mangueira de água e o abastecimento de água.
	Instalação insuficiente do filtro	Submerja o filtro completamente na água.
Jato de água instável	Modo de baixa pressão em utilização	Selecione o modo de alta pressão.
	Bocal entupido	Desentupa o orifício de ejeção do bocal utilizando o pino de limpeza.
	Fraca sucção de água	Verifique a mangueira de água quanto a fuga ou entupimentos.
	A água está demasiado quente.	Abasteça água mais fria.
Som anormal	Anomalia da válvula	Contacte um centro de assistência autorizado para reparações.
	A água está demasiado quente.	Abasteça água mais fria.
Fuga de água	Ligação fraca	Verifique a ligação entre a lavadora de alta pressão e o abastecimento de água.
	Má instalação do bocal	Empurre o bocal completamente para dentro. Em seguida, rode o bocal até que esteja bloqueado firmemente.
	A cabeça do bocal permanece numa posição incorreta	Coloque a cabeça do bocal numa posição de encaixe com o símbolo de um padrão de pulverização claramente visível.
	Vedantes gastos	Contacte um centro de assistência autorizado para reparações.

ACESSÓRIOS OPCIONAIS

⚠️ PRECAUÇÃO: Estes acessórios ou peças são recomendados para utilização com a ferramenta Makita especificada neste manual. A utilização de outros acessórios ou peças pode ser perigosa para as pessoas. Utilize apenas acessórios ou peças para os fins indicados.

Se necessitar de informações adicionais relativas a estes acessórios, solicite-as ao seu centro de

assistência Makita.

NOTA: Alguns itens da lista podem estar incluídos na embalagem da ferramenta como acessórios padrão. Eles podem variar de país para país.

Bocal de espuma

► Fig.36

O detergente pode ser pulverizado como espuma.

Escova de lavar

► Fig.37

Um bocal equipado com uma escova. Útil para lavar

sujidade enquanto esfrega com a escova.

Bocal angular

► Fig.38

A cabeça de um bocal angular pode rodar 360 graus, permitindo a manobrabilidade e cobertura sem ângulos mortos.

Adaptador de garrafas de plástico

► Fig.39

Bombeie água engarrafada e extraia-a facilmente de uma garrafa de plástico. Uma garrafa de água pode servir de fonte de água.

ΠΡΟΕΙΔΟΠΟΙΗΣΗ

- Η συσκευή δεν πρέπει να χρησιμοποιείται από παιδιά. Τα παιδιά θα πρέπει να επιτηρούνται για να εξασφαλιστεί ότι δεν παίζουν με τη συσκευή.
- Η συσκευή αυτή δεν προορίζεται για χρήση από οποιοδήποτε άτομο (περιλαμβανομένων των παιδιών) με μειωμένες σωματικές, αισθητήριες ή διανοητικές ικανότητες, ή από άτομο που δεν έχει πείρα και γνώσεις, εκτός αν επιτηρείται ή αν του έχουν δοθεί οδηγίες για τη χρήση της συσκευής από άτομο το οποίο είναι υπεύθυνο για την ασφάλειά του.
- Το νερό υπό πίεση δεν πρέπει να κατευθύνεται σε άτομα, σε ηλεκτροφόρο ηλεκτρικό εξοπλισμό ή στην ίδια τη συσκευή.
- Να βεβαιώνετε πάντα ότι έχετε σβήσει τη συσκευή και έχετε βγάλει την κασέτα μπαταριών πριν εκτελέσετε οποιαδήποτε εργασία στο εργαλείο.
- Μην χρησιμοποιείτε τη συσκευή αν είναι καεστραμμένα σημαντικά μέρη της συσκευής, π.χ. διατάξεις ασφάλειας, εύκαμπτοι σωλήνες πίεσης.
- Διαβάστε τις οδηγίες στο κεφάλαιο «Συντήρηση» για τις κατάλληλες λεπτομέρειες των προφυλάξεων κατά τη διάρκεια της συντήρησης από τον χρήστη.
- Μάθετε το φυσιολογικό εύρος θερμοκρασίας για τη φόρτιση της μπαταρίας. Διαβάστε τις οδηγίες ασφάλειας για την κασέτα μπαταριών για να μάθετε τις προφυλάξεις για τον χειρισμό των μπαταριών.
- Διαβάστε τις οδηγίες στο κεφάλαιο «Συναρμολόγηση» για τις κατάλληλες λεπτομέρειες των προφυλάξεων κατά τη διάρκεια της εγκατάστασης της συσκευής.
- Μάθετε τη μέγιστη πίεση του νερού εισόδου. Διαβάστε τις πληροφορίες στο κεφάλαιο «Προδιαγραφές» για τις κατάλληλες λεπτομέρειες σχετικά με τη σύνδεση στην κεντρική παροχή νερού.
- Να χρησιμοποιείτε πάντα τα σετ εύκαμπτου σωλήνα που παρέχονται με τη συσκευή. Διαβάστε τις οδηγίες στο κεφάλαιο «Συναρμολόγηση» για να μάθετε τις προφυλάξεις για τη σύνδεση με την κεντρική παροχή νερού.

- Δεν πρέπει να ανοίξετε την οπή πλήρωσης νερού κατά τη διάρκεια της χρήσης. Ακολουθήστε τις οδηγίες στο κεφάλαιο «Συναρμολόγηση» για να διατηρήσετε την πίεση νερού.
- Μην χρησιμοποιείτε σε πισίνες που περιέχουν νερού.
- Συμμορφωθείτε με τις απαιτήσεις της τοπικής εταιρίας παροχής νερού.
- Για ευρωπαϊκές χώρες:
Σύμφωνα με το πρότυπο EN12729 (BA), η συσκευή μπορεί επίσης να συνδεθεί με την κεντρική παροχή πόσιμου νερού εάν τοποθετηθεί βαλβίδα αποφυγής αντίστροφης ροής με δυνατότητα αποστράγγισης στον εύκαμπτο σωλήνα παροχής.

ΠΡΟΔΙΑΓΡΑΦΕΣ

Μοντέλο:		DHW180
Μέγιστη παροχή νερού *1 [Παροχή νερού δοχείου / Κεντρική παροχή νερού]		3,0 / 5,3 L/min
Παροχή νερού *2	Τρόπος υψηλής λειτουργίας	2,5 L/min
	Τρόπος χαμηλής λειτουργίας	1,5 L/min
Μέγ. πίεση εργασίας		2,4 MPa
Πίεση εργασίας *2	Τρόπος υψηλής λειτουργίας [Παροχή νερού δοχείου / Κεντρική παροχή νερού]	2,0 / 2,2 MPa
	Τρόπος χαμηλής λειτουργίας [Παροχή νερού δοχείου / Κεντρική παροχή νερού]	0,8 / 0,8 MPa
Μέγ. πίεση τροφοδοσίας		0,5 MPa
Μέγ. θερμοκρασία τροφοδοσίας		40°C
Μέγ. ύψος αναρρόφησης		2,0 m
Ονομαστική τάση		D.C. 18 V
Διαστάσεις *3 [Μ x Π x Υ]		888 mm x 99 mm x 239 mm
Βάρος		2,3 - 2,7kg

*1: Χωρίς ακροφύσιο

*2: Μοτίβο ψεκασμού 15°

*3: Με ακροφύσιο 5-σε-1 και προέκταση

- Λόγω του συνεχιζόμενου προγράμματος έρευνας και ανάπτυξης, οι προδιαγραφές αυτές υπόκεινται σε αλλαγές χωρίς προειδοποίηση.
- Τα τεχνικά χαρακτηριστικά μπορεί να διαφέρουν από χώρα σε χώρα.
- Το βάρος μπορεί να διαφέρει ανάλογα με τα προσαρτήματα, συμπεριλαμβάνοντας την κασέτα μπαταριών. Ο ελαφρύτερος και βαρύτερος συνδυασμός απεικονίζονται στον πίνακα.

Ισχύουσα κασέτα μπαταριών και φορτιστής

Κασέτα μπαταρίας	BL1815N / BL1820B / BL1830B / BL1840B / BL1850B / BL1860B
Φορτιστής	DC18RC / DC18RD / DC18RE / DC18SD / DC18SE / DC18SF / DC18SH / DC18WC

- Ορισμένες από τις κασέτες και τους φορτιστές μπαταριών που αναγράφονται παραπάνω ίσως να μην είναι διαθέσιμοι, ανάλογα με την τοποθεσία κατοικίας σας.

⚠️ ΠΡΟΕΙΔΟΠΟΙΗΣΗ: Να χρησιμοποιείτε μόνο τις κασέτες μπαταριών και τους φορτιστές που παρατίθενται ανωτέρω. Η χρήση οποιασδήποτε άλλης κασέτας μπαταριών ή φορτιστή μπορεί να προκαλέσει τραυματισμό ή/και πυρκαγιά.

⚠️ ΠΡΟΕΙΔΟΠΟΙΗΣΗ: Μην χρησιμοποιείτε ηλεκτρική παροχή με καλώδιο, όπως προσαρμογέα μπαταριών ή φορητή ηλεκτρική τροφοδότηση, με αυτό το μηχανήμα. Το καλώδιο τέτοιας ηλεκτρικής παροχής μπορεί να δυσκολεύει τη λειτουργία και να προκαλέσει τραυματισμό.

Σύμβολα

Παρακάτω παρουσιάζονται τα σύμβολα που μπορούν να χρησιμοποιηθούν για τον εξοπλισμό. Βεβαιωθείτε ότι κατανοείτε τη σημασία τους πριν από τη χρήση.



Διαβάστε το εγχειρίδιο οδηγιών.



Απαιτούνται ιδιαίτερη φροντίδα και προσοχή.



Μόνο για τις χώρες της ΕΕ
Λόγω της παρουσίας των επικίνδυνων συστατικών μερών στον εξοπλισμό, ο απόβλητος ηλεκτρικός και ηλεκτρονικός εξοπλισμός, οι συσσωρευτές και οι μπαταρίες μπορεί να έχουν αρνητική επίδραση στο περιβάλλον και την ανθρώπινη υγεία. Μην απορρίπτετε τις ηλεκτρικές και ηλεκτρονικές συσκευές ή μπαταρίες μαζί με τα οικιακά απορρίμματα!

Σύμφωνα με την Ευρωπαϊκή Οδηγία για τον απόβλητο ηλεκτρικό και ηλεκτρονικό εξοπλισμό και για τους συσσωρευτές και μπαταρίες και τους απόβλητους συσσωρευτές και μπαταρίες, καθώς και την προσαρμογή τους στην εθνική νομοθεσία, ο απόβλητος ηλεκτρικός εξοπλισμός, οι μπαταρίες και οι συσσωρευτές θα πρέπει να αποθηκεύονται ξεχωριστά και να παραδίδονται σε ξεχωριστό σημείο συλλογής για δημοτικά απόβλητα, το οποίο λειτουργεί σύμφωνα με τους κανονισμούς για την προστασία του περιβάλλοντος.

Αυτό υποδεικνύεται από το σύμβολο του διαγραμμένου τροχοφόρου κάδου που βρίσκεται αναρτημένο επάνω στον εξοπλισμό.



Μη συνδέετε σε βρύση πόσιμου νερού.



Μην κατευθύνετε τη δέσμη προς άτομα, συμπεριλαμβανομένου και του εαυτού σας, ζώων και ηλεκτροφόρου ηλεκτρικού εξοπλισμού.

Προοριζόμενη χρήση

Το παρόν εργαλείο προορίζεται για τον καθαρισμό βρομιάς με τη χρήση δέσμης νερού για οικιακή χρήση. Επειδή προσφέρεται επιλέξιμος τύπος ψεκασμού, το εργαλείο λειτουργεί για να βελτιώσει την πλύση καθώς και το πότισμα του γκαζόν και κήπου.

ΠΡΟΕΙΔΟΠΟΙΗΣΕΙΣ ΑΣΦΑΛΕΙΑΣ

ΣΗΜΑΝΤΙΚΕΣ ΠΡΟΕΙΔΟΠΟΙΗΣΕΙΣ ΑΣΦΑΛΕΙΑΣ

⚠️ ΠΡΟΕΙΔΟΠΟΙΗΣΗ: Διαβάστε όλες τις προειδοποιήσεις για την ασφάλεια και όλες τις οδηγίες. Η μη τήρηση των προειδοποιήσεων και οδηγιών μπορεί να καταλήξει σε ηλεκτροπληξία, πυρκαγιά ή/και σοβαρό τραυματισμό.

Φυλάξτε όλες τις προειδοποιήσεις και τις οδηγίες για μελλοντική παραπομπή.

ΠΡΟΕΙΔΟΠΟΙΗΣΗ - Όταν χρησιμοποιείτε αυτό το προϊόν, πρέπει πάντα να τηρείτε τις βασικές προφυλάξεις, περιλαμβάνοντας τις εξής:

Ασφάλεια στο χώρο εργασίας

1. Να κρατάτε όλα τα άτομα μακριά από την περιοχή εργασίας.
2. Μην τεντώνετε υπερβολικά και μην στέκεστε επάνω σε ασταθή στηρίγματα. Να κρατάτε πάντα καλό πάτημα και την ισορροπία σας.
3. Να τοποθετείτε πάντα το κυρίως τμήμα του πλυστικού μηχανήματος πίεσης σε επίπεδη και σταθερή επιφάνεια. Να αποφεύγετε τις περιοχές όπου το εκτοξευμένο νερό θα τρέξει ή θα λιμνάσει.
4. Πριν τον καθαρισμό, ελέγξτε τον περιβάλλοντα χώρο και τα αντικείμενα προς καθαρισμό. Οι δέσμες πίεσης μπορούν να αποξέσουν βαφές ή άλλες επιφανειακές επεξεργασίας, συμπεριλαμβανοντας τοξικά χημικά. Λάβετε προληπτικά μέτρα, αν απαιτείται.
5. Προσέχετε να μη σκοντάψετε στον εύκαμπτο σωλήνα του πλυστικού μηχανήματος πίεσης. Να γνωρίζετε πάντα τη διαμόρφωση του εύκαμπτου σωλήνα κατά τη λειτουργία.
6. Κατά τη χρήση, θα βγει μια μικρή ποσότητα νερού από το κάτω μέρος του πλυστικού μηχανήματος πίεσης. Προσέχετε να μην θέτετε το εργαλείο σε λειτουργία πάνω από περιοχές που δεν θέλετε να βραχούν.

Προσωπική ασφάλεια

1. Για προστασία από τη δέσμη και τα αντικείμενα που εκτοξεύονται από τη δέσμη, οι χειριστές θα πρέπει να φορούν κατάλληλο ρουχισμό, όπως μπότες ασφαλείας, γάντια ασφαλείας, κράνη ασφαλείας με προσωπίδα, προστασία ακοής, κτλ.

2. **Να φοράτε εξοπλισμό ατομικής προστασίας.** Ανάλογα με την εφαρμογή, χρησιμοποιήστε προσωπίδα, προστατευτικά γυαλιά ή γυαλιά προστασίας επειδή η προστασία ματιών μπορεί να σταματήσει ιπτάμενα σωματίδια που παράγονται από διάφορες εργασίες.
3. **Μη χρησιμοποιείτε το πλυστικό μηχάνημα πίεσης κοντά σε ανθρώπους, εκτός αν αυτοί φορούν προστατευτικό ρουχισμό.**
4. **Για να μειώσετε τον κίνδυνο τραυματισμού, απαιτείται στενή επιτήρηση όταν το προϊόν χρησιμοποιείται κοντά σε παιδιά.**
5. **Αν γίνει σύνδεση με σύστημα πόσιμου νερού, το σύστημα πρέπει να προστατεύεται από την αντίστροφη ροή.**
6. **Το νερό που έχει περάσει από το μηχανισμό αποτροπής αντίστροφης ροής θεωρείται μη πόσιμο.**

Ηλεκτρική ασφάλεια

1. **Μην αγγίζετε ποτέ τις κασέτες μπαταριών με βρεγμένα χέρια.**
2. **Μην χρησιμοποιείτε τη συσκευή αν είναι κατεστραμμένα σημαντικά μέρη της συσκευής, π.χ. διατάξεις ασφάλειας, εύκαμπτοι σωλήνες πίεσης.**
3. **Να αποφεύγετε τα επικίνδυνα περιβάλλοντα. Μη χρησιμοποιείτε το εργαλείο σε υγραμένο ή υγρό χώρο ούτε να το εκθέτετε στη βροχή. Η είσοδος νερού στο εργαλείο μπορεί να αυξήσει τον κίνδυνο πρόκλησης ηλεκτροπληξίας.**

Χρήση και φροντίδα ηλεκτρικού εργαλείου

1. **Διαβάστε όλες τις οδηγίες πριν χρησιμοποιήσετε το προϊόν.**
2. **Να γνωρίζετε πώς να διακόπτετε το πλυστικό μηχάνημα πίεσης και να εκτονώνετε την πίεση γρήγορα. Να είστε εκτενώς εξοικειωμένοι με τα χαρακτηριστήρια.**
3. **Μην ψεκάζετε εύφλεκτα ή/και τοξικά υγρά. Αυτό μπορεί να προκαλέσει έκρηξη, δηλητηρίαση ή ζημιά στη συσκευή.**
4. **Μην κατευθύνετε τη δέση επάνω σας ή προς άλλους, για να καθαρίσετε ρούχα ή υποδήματα.**
5. **Οι εύκαμπτοι σωλήνες πίεσης, οι συνδέσεις και οι συζεύξεις είναι σημαντικό για την ασφάλεια της συσκευής. Να χρησιμοποιείτε μόνο εύκαμπτους σωλήνες, συνδέσεις και συζευκτήρες που συνιστά ο κατασκευαστής.**
6. **Ακολουθήστε τις οδηγίες όταν αλλάζετε εξαρτήματα.**
7. **Να φροντίζετε ώστε οι χειρολαβές να διατηρούνται στεγνές, καθαρές και χωρίς λάδι ή γράσο.**
8. **Να είστε σε ετοιμότητα - προσέχετε τι κάνετε.**
9. **Μη χρησιμοποιείτε το προϊόν όταν είσατε κουρασμένοι ή υπό την επήρεια αλκοόλ ή ναρκωτικών ουσιών.**
10. **Μη λειτουργείτε το πλυστικό μηχάνημα πίεσης χωρίς νερό για περισσότερο από ένα λεπτό. Θα προκληθεί ζημιά στο μοτέρ, έχοντας ως αποτέλεσμα τη δυσλειτουργία.**
11. **Να απενεργοποιείτε πάντα την ηλεκτρική ισχύ και να κλείνετε την κεντρική παροχή νερού**

όταν αφήνετε το πλυστικό μηχάνημα υψηλής πίεσης ανεπιτήρητο.

12. **Να προσέχετε για τυχόν κλότσημα. Η συσκευή αναπηδά όταν εκτοξεύεται δέση πίεσης από το ακροφύσιο. Κρατήστε σταθερά τη συσκευή για να αποφευχθούν οι τραυματισμοί κατά λάθος.**
13. **Ελέγξτε για κατεστραμμένα ή φθαρμένα μέρη πριν από τη χρήση. Επίσης, βεβαιωθείτε ότι ο εύκαμπτος σωλήνας είναι σωστά συνδεδεμένος και δεν υπάρχει διαρροή κατά τη λειτουργία. Η λειτουργία της συσκευής με λειτουργικά ελαττώματα μπορεί να προκαλέσει ατύχημα.**
14. **Μην τραβάτε τον εύκαμπτο σωλήνα να με μεταφέρετε το κυρίως τμήμα του πλυστικού μηχανήματος πίεσης. Αυτό θα προκαλέσει ζημιά στον εύκαμπτο σωλήνα και τα συνδεδετικά μέρη και θα έχει ως αποτέλεσμα το βραχυκύκλωμα ή τα λειτουργικά ελαττώματα.**
15. **Μην τοποθετείτε βαριά αντικείμενα επάνω στον εύκαμπτο σωλήνα και μην αφήνετε τα οχήματα να οδηγούν επάνω από αυτόν.**
16. **Να εκτονώνετε πάντα την παραμένουσα πίεση στη συσκευή πριν αποσυνδέσετε τον εύκαμπτο σωλήνα.**
17. **Όταν συνδέετε τον εύκαμπτο σωλήνα στην κεντρική παροχή νερού, να τηρείτε τις οδηγίες της τοπικής σας αρχής ή επιχείρησης ύδρευσης.**
18. **Αν το πλυστικό μηχάνημα πίεσης πέσει κάτω ή χτυπήσει επάνω σε ένα σκληρό αντικείμενο, βεβαιωθείτε να ελέγξετε για ζημιά και ραγίσματα. Αν χρησιμοποιήσετε το πλυστικό μηχάνημα πίεσης όταν έχει υποστεί ζημιά, μπορεί να παραχθεί καπνός, πυρκαγιά ή να προκληθεί ηλεκτροπληξία, γεγονός που έχει ως αποτέλεσμα προσωπικό τραυματισμό.**
19. **Να αποφεύγετε την αθέλητη ενεργοποίηση του εργαλείου. Βεβαιωθείτε ότι ο διακόπτης βρίσκεται στην ανενεργή θέση πριν συνδέσετε την κασέτα μπαταριών ή σηκώσετε ή μεταφέρετε τη συσκευή. Αν μεταφέρετε τη συσκευή με το δάχτυλό σας στο διακόπτη ή αν ενεργοποιήσετε τη συσκευή όταν ο διακόπτης είναι στην ενεργή θέση, μπορεί να προκληθούν ατυχήματα.**
20. **Να αποσυνδέετε την κασέτα μπαταριών από τη συσκευή πριν κάνετε οποιοσδήποτε ρυθμίσεις ή αλλαγές εξαρτημάτων και πριν αποθηκεύετε τη συσκευή. Τέτοια προληπτικά μέτρα ασφάλειας μειώνουν τον κίνδυνο τυχαίας ενεργοποίησης της συσκευής.**
21. **Μην τροποποιήσετε και μην επιχειρήσετε να επισκευάσετε τη συσκευή ή την κασέτα μπαταριών, εκτός αν υποδεικνύεται στις οδηγίες χρήσης και φροντίδας.**
22. **ΠΡΟΕΙΔΟΠΟΙΗΣΗ - Κίνδυνος έγχυσης ή τραυματισμού - Μη κατευθύνετε την εκροή ατμού σε ανθρώπους.**
23. **Βεβαιωθείτε ότι ένα αντικείμενο ή περιοχή προς καθαρισμό είναι ανθεκτικό στο νερό. Διαφορετικά, μπορεί να προκαλέσει ζημιά στο αντικείμενο ή στην περιοχή έχοντας ως αποτέλεσμα προσωπικό τραυματισμό.**

Χρήση και φροντίδα μπαταριών

1. **Να επαναφορτίζετε τις μπαταρίες μόνο με το**

- φορτιστή που καθορίζεται από τον κατασκευαστή.** Ένας φορτιστής που είναι κατάλληλος για μια συγκεκριμένη μπαταρία μπορεί να δημιουργήσει κίνδυνο πυρκαγιάς όταν χρησιμοποιείται με μια άλλη μπαταρία.
2. **Να χρησιμοποιείτε ηλεκτρικά εργαλεία μόνο με ειδικά καθορισμένες μπαταρίες.** Η χρήση κάθε άλλης μπαταρίας μπορεί να δημιουργήσει κίνδυνο τραυματισμού ή πυρκαγιάς.
 3. **Όταν δεν χρησιμοποιείται η κασέτα μπαταριών, διατηρήστε τη μακριά από άλλα μεταλλικά αντικείμενα, όπως συνδετήρες, κέρματα, κλειδιά, καρφιά, βίδες ή άλλα μικρά μεταλλικά αντικείμενα, με τα οποία μπορεί να δημιουργηθεί σύνδεση από τον έναν ακροδέκτη στον άλλον.** Το βραχυκύκλωμα των ακροδεκτών της μπαταρίας μπορεί να προκαλέσει εγκαύματα ή πυρκαγιά.
 4. **Υπό συνθήκες κατάχρησης, μπορεί να εξαχθεί υγρό από την μπαταρία.** Να αποφεύγετε την επαφή. Εάν συμβεί επαφή κατά λάθος, εκπλύνετε με νερό. Εάν το υγρό έρθει σε επαφή με τα μάτια, αναζητήστε και ιατρική βοήθεια. Το υγρό που εξάγεται από την μπαταρία μπορεί να προκαλέσει ερεθισμό ή εγκαύματα.
 5. **Μη χρησιμοποιείτε μια κασέτα μπαταριών ή εργαλείο που έχει καταστραφεί ή τροποποιηθεί.** Οι κατεστραμμένες ή τροποποιημένες μπαταρίες μπορεί να παρουσιάζουν απρόβλεπτη συμπεριφορά που έχει ως αποτέλεσμα πυρκαγιά, έκρηξη ή κίνδυνο τραυματισμού.
 6. **Μην εκθέτετε την κασέτα μπαταριών ή το εργαλείο σε πυρκαγιά ή υπερβολικά υψηλή θερμοκρασία.** Η έκθεση στην πυρκαγιά ή στη θερμοκρασία άνω των 130 °C μπορεί να προκαλέσει έκρηξη.
 7. **Ακολουθήστε όλες τις οδηγίες φόρτισης και μην φορτίσετε την κασέτα μπαταριών ή το εργαλείο εκτός του θερμοκρασιακού εύρους που καθορίζεται στις οδηγίες.** Η λανθασμένη φόρτιση ή η φόρτιση σε θερμοκρασίες εκτός του καθορισμένου εύρους μπορεί να προκαλέσει ζημιά στην μπαταρία και να αυξήσει τον κίνδυνο πυρκαγιάς.
 2. **Όταν χρησιμοποιείτε το εργαλείο σε λασπώδη έδαφος, βρεγμένες κλίσεις ή ολισθηρό μέρος, να προσέχετε το πάτημά σας.**
 3. **Αποφεύγετε να εργάζεστε σε κακό περιβάλλον, όπου αναμένεται αυξημένη κόπωση του χρήστη.**
 4. **Μην αλλάζετε την μπαταρία στη βροχή.**
 5. **Μην βυθίζετε το εργαλείο σε λακκούβα.**
 6. **Όταν αποθηκεύετε το εργαλείο, να αποφεύγετε την άμεση ηλιοβολή και τη βροχή, και να το αποθηκεύσετε σε ένα μέρος όπου δεν υπάρχει πολύ ζέστη και υγρασία.**
 7. **Μετά τη χρήση του εργαλείου, αφαιρέστε το προσκολλημένο χώμα και στεγνώστε το εργαλείο εντελώς πριν την αποθήκευση.** Ανάλογα με την εποχή ή την περιοχή, υπάρχει κίνδυνος δυσλειτουργίας λόγω παγώματος.
 8. **Μην βρέχετε τον πόλο της μπαταρίας με υγρό, όπως το νερό, και μη βυθίζετε την μπαταρία σε υγρό. Μην αφήνετε την μπαταρία στη βροχή, και μην φορτίζετε, χρησιμοποιείτε ή αποθηκεύετε την μπαταρία σε υγρό ή βρεγμένο μέρος.** Αν ο πόλος βρεχτεί ή εισέλθει υγρό στο εσωτερικό της μπαταρίας, η μπαταρία μπορεί να βραχυκυκλώσει και να υπάρχει κίνδυνος υπερθέρμανσης, πυρκαγιάς ή έκρηξης.
 9. **Αφού αφαιρέσετε την μπαταρία από το εργαλείο ή τον φορτιστή, φροντίστε να συνδέσετε το κάλυμμα μπαταριών στην μπαταρία και να την αποθηκεύσετε σε στεγνό μέρος.**
 10. **Μην αλλάζετε την μπαταρία με βρεγμένα χέρια.**
 11. **Εάν η συσκευή είναι παγωμένη λόγω κρύου καιρού, επικοινωνήστε με εξουσιοδοτημένο κέντρο σέρβις για επισκευή.**
 12. **Μην χρησιμοποιείτε ηλεκτρική παροχή με καλώδιο, όπως προσαρμογέα μπαταριών ή φορητή ηλεκτρική τροφοδότηση, με αυτή τη συσκευή.** Το καλώδιο μιας τέτοιας ηλεκτρικής παροχής μπορεί να δυσκολέψει τη λειτουργία και να έχει ως αποτέλεσμα ατομικό τραυματισμό.

Σέρβις

1. Να τηρείτε τις οδηγίες συντήρησης που καθορίζονται στο εγχειρίδιο.
2. Για να διατηρήσετε την ασφάλεια της συσκευής, να χρησιμοποιείτε μόνο γνήσια ανταλλακτικά από τον κατασκευαστή ή ανταλλακτικά που έχει εγκρίνει ο κατασκευαστής.
3. Να φροντίζετε ώστε το σέρβις του πλαστικού μηχανήματος πίεσης που διαθέτετε να γίνεται από αρμόδιο επαγγελματία χρησιμοποιώντας μόνο γνήσια ανταλλακτικά. Έτσι θα είστε σίγουροι για τη διατήρηση της ασφάλειας του πλαστικού μηχανήματος πίεσης.
4. Στην περίπτωση βλάβης ή δυσλειτουργίας του πλαστικού μηχανήματος πίεσης, απενεργοποιήστε το αμέσως και βγάλτε την(ις) κασέτα(ες) μπαταριών. Επικοινωνήστε με τον τοπικό σας αντιπρόσωπο ή κέντρο εξυπηρέτησης.

Πρόσθετες προειδοποιήσεις ασφάλειας

1. **Μην χρησιμοποιείτε το εργαλείο όταν υπάρχει κίνδυνος για κεραυνούς.**

ΦΥΛΑΞΤΕ ΤΙΣ ΟΔΗΓΙΕΣ ΑΥΤΕΣ.

▲ΠΡΟΕΙΔΟΠΟΙΗΣΗ: ΜΗΝ επιτρέψετε στην άνεση ή στην εξοικειωσή σας με το προϊόν (που αποκτήθηκε από επανειλημμένη χρήση) να αντικαταστήσει την αυστηρή τήρηση των κανόνων ασφαλείας του παρόντος εργαλείου.

Η ΛΑΝΘΑΣΜΕΝΗ ΧΡΗΣΗ ή η αμέλεια να ακολουθήσετε τους κανόνες ασφαλείας που διατυπώνονται στο παρόν εγχειρίδιο οδηγιών μπορεί να προκαλέσει σοβαρό προσωπικό τραυματισμό.

Σημαντικές οδηγίες ασφάλειας για κασέτα μπαταριών

1. Πριν χρησιμοποιήσετε την κασέτα μπαταριών, διαβάστε όλες τις οδηγίες και σημειώσεις προφύλαξης (1) στον φορτιστή μπαταριών, (2) στην μπαταρία και (3) στο προϊόν που χρησιμοποιεί την μπαταρία.
2. **Μην αποσυναρμολογήσετε ή παραβιάσετε την κασέτα μπαταριών.** Μπορεί να έχει ως αποτέλεσμα πυρκαγιά, υπερθέρμανση ή έκρηξη.

3. Εάν ο χρόνος λειτουργίας έχει γίνει υπερβολικά βραχύς, σταματήστε τη λειτουργία αμέσως. Αλλιώς, μπορεί να έχει ως αποτέλεσμα κίνδυνο υπερθέρμανσης, πιθανά εγκαύματα ή ακόμη και έκρηξη.
4. Εάν ηλεκτρολύτης μπει στα μάτια σας, ξεπλύνετε τα με καθαρό νερό και ζητήστε ιατρική φροντίδα αμέσως. Αλλιώς, μπορεί να έχει ως αποτέλεσμα απώλεια της όρασης σας.
5. **Μη βραχυκυκλώνετε την κασέτα μπαταριών:**
 - (1) Μην αγγίζετε τους πόλους με οτιδήποτε αγωγίμο υλικό.
 - (2) Αποφεύγετε να αποθηκεύετε την κασέτα μπαταριών μέσα σε ένα δοχείο μαζί με άλλα μεταλλικά αντικείμενα όπως καρφιά, νομίσματα, κλπ.
 - (3) Μην εκθέτετε την κασέτα μπαταριών στο νερό ή στη βροχή.

Ένα βροχυκόκλωμα μπαταρίας μπορεί να προκαλέσει μεγάλη ροή ρεύματος, υπερθέρμανση, πιθανά εγκαύματα ακόμη και σοβαρή βλάβη.

6. Μην αποθηκεύετε και μην χρησιμοποιείτε το εργαλείο και την κασέτα μπαταριών σε τοποθεσίες όπου η θερμοκρασία μπορεί να φτάσει ή να ξεπεράσει τους 50°C.
7. Μην καίτε την κασέτα μπαταριών ακόμη και εάν έχει σοβαρή ζημιά ή είναι εντελώς φθαρμένη. Η κασέτα μπαταριών μπορεί να εκραγεί στη φωτιά.
8. Μην καρφώσετε, κόψετε, συνθλίψετε, πετάξετε ή ρίξετε κάτω την κασέτα μπαταριών, ούτε να χτυπήσετε ένα σκληρό αντικείμενο επάνω στην κασέτα μπαταριών. Τέτοια συμπεριφορά μπορεί να έχει ως αποτέλεσμα πυρκαγιά, υπερθέρμανση ή έκρηξη.
9. **Μη χρησιμοποιείτε μπαταρία που έχει υποστεί ζημιά.**
10. **Οι μπαταρίες ιόντων λιθίου που περιέχονται υποκείνται στις απαιτήσεις της νομοθεσίας για επικίνδυνα αγαθά.**

Για εμπορικές μεταφορές, για παράδειγμα από τρίτα μέρη, πρέπει να τηρούνται οι διαμεταφορείς, οι ειδικές απαιτήσεις στη συσκευασία και η επισήμανση.

Για προετοιμασία του στοιχείου που αποστέλλεται, είναι απαραίτητο να συμβουλευτείτε έναν ειδικό για επικίνδυνα υλικά. Επίσης, τηρήστε τους πιθανούς, πιο αναλυτικούς εθνικούς κανονισμούς. Καλύψτε με αυτοκόλλητη ταινία ή κρύψτε τις ανοικτές επαφές και συσκευάστε την μπαταρία με τρόπο που να μην μπορεί να μετακινείται μέσα στη συσκευασία.

11. **Όταν απορρίπτετε την κασέτα μπαταριών, αφαιρέστε την από το εργαλείο και διαθέστε την σε ένα ασφαλές μέρος.** Τηρήστε τους τοπικούς κανονισμούς που σχετίζονται με τη διάθεση της μπαταρίας.
12. **Χρησιμοποιήστε τις μπαταρίες μόνο με τα προϊόντα που καθορίζει η Makita.** Αν τοποθετήσετε τις μπαταρίες σε μη συμβατά προϊόντα μπορεί να έχει ως αποτέλεσμα πυρκαγιά, υπερβολική θερμότητα, έκρηξη ή διαρροή ηλεκτρολύτη.
13. **Αν δεν χρησιμοποιείτε το εργαλείο για μεγάλο χρονικό διάστημα, πρέπει να βγάλετε την**

μπαταρία από το εργαλείο.

14. Κατά τη διάρκεια και μετά τη χρήση, η κασέτα μπαταριών μπορεί να θερμανθεί, γεγονός που μπορεί να προκαλέσει εγκαύματα ή εγκαύματα από χαμηλή θερμοκρασία. Προσέχετε το χειρισμό των ζεστών κασετών μπαταριών.
15. **Μην αγγίζετε τον ακροδέκτη του εργαλείου αμέσως μετά τη χρήση επειδή μπορεί να έχει ζεσταθεί αρκετά για να προκαλέσει εγκαύματα.**
16. **Μην αφήνετε θραύσματα, σκόνη ή βρομιά να κολλήσει στους ακροδέκτες, τις σπές και τις ελλοπές της κασέτας μπαταριών.** Μπορεί να προκαλέσει θέρμανση, φωτιά, έκρηξη και δυσλειτουργία του εργαλείου ή της κασέτας μπαταριών, έχοντας ως αποτέλεσμα εγκαύματα ή προσωπικό τραυματισμό.
17. **Εκτός αν το εργαλείο υποστηρίζει τη χρήση κοντά σε ηλεκτρικές γραμμές υψηλής τάσης, μην χρησιμοποιείτε την κασέτα μπαταριών κοντά σε ηλεκτρικές γραμμές υψηλής τάσης.** Μπορεί να έχει ως αποτέλεσμα δυσλειτουργία ή στάσιμο του εργαλείου ή της κασέτας μπαταριών.
18. **ΚρΦυλάξτε την μπαταρία μακριά από παιδιά.**

ΦΥΛΑΞΤΕ ΤΙΣ ΟΔΗΓΙΕΣ ΑΥΤΕΣ.

▲ΠΡΟΣΟΧΗ: Να χρησιμοποιείτε μόνο γνήσιες μπαταρίες της Makita. Η χρήση μη γνήσιων μπαταριών Makita, ή μπαταριών που έχουν τροποποιηθεί, μπορεί να έχει ως αποτέλεσμα τη ρήξη της μπαταρίας, προκαλώντας πυρκαγιά, προσωπικό τραυματισμό και βλάβη. Επίσης, θα ακυρωθεί η εγγύηση της Makita για το εργαλείο και φορτιστή Makita.

Συμβουλές για τη διατήρηση της μέγιστης ζωής μπαταρίας

1. **Φορτίζετε την κασέτα μπαταριών πριν από την πλήρη αποφόρτισή της.** Πάντοτε να σταματάτε τη λειτουργία του εργαλείου και να φορτίζετε την κασέτα μπαταριών όταν παρατηρείτε μειωμένη ισχύ εργαλείου.
2. **Ποτέ μην επαναφορτίζετε μια πλήρως φορτισμένη κασέτα μπαταριών.** Η υπερφόρτιση μειώνει την ωφέλιμη ζωή της μπαταρίας.
3. **Να φορτίζετε την κασέτα μπαταριών σε θερμοκρασία δωματίου, δηλαδή στους 10 °C έως 40 °C.** Αφήστε μια θερμή κασέτα μπαταριών να κρυώσει πριν την φορτίσετε.
4. **Όταν δεν χρησιμοποιείτε την κασέτα μπαταριών, αφαιρέστε την από το εργαλείο ή τον φορτιστή.**
5. **Να φορτίζετε την κασέτα μπαταριών εάν δεν τη χρησιμοποιείτε για μεγάλη χρονική περίοδο (περισσότερο από έξι μήνες).**

ΠΕΡΙΓΡΑΦΗ ΛΕΙΤΟΥΡΓΙΑΣ

▲ ΠΡΟΣΟΧΗ: Να φροντίζετε πάντα για την απενεργοποίηση του εργαλείου και την αφαίρεση της κασέτας μπαταρίας, πριν από οποιαδήποτε ρύθμιση ή έλεγχο της λειτουργίας του.

Τοποθέτηση ή αφαίρεση της κασέτας μπαταριών

▲ ΠΡΟΣΟΧΗ: Να σβήνετε πάντα το εργαλείο πριν τοποθετήσετε ή αφαιρέσετε την κασέτα μπαταριών.

▲ ΠΡΟΣΟΧΗ: Κρατήστε το εργαλείο και την κασέτα μπαταριών σταθερά κατά την τοποθέτηση ή αφαίρεση της κασέτας μπαταριών. Εάν δεν κρατάτε το εργαλείο και την κασέτα μπαταριών σταθερά μπορεί να γλιστρήσουν από τα χέρια σας και να προκληθεί βλάβη στο εργαλείο και την κασέτα μπαταριών και προσωπικός τραυματισμός.

▲ ΠΡΟΣΟΧΗ: Προσέχετε να μην πιάσετε τα δάχτυλά σας όταν ανοίγετε ή κλείνετε το κάλυμμα μπαταριών.

Ανοίξτε το κάλυμμα ενώ σπρώχνετε τον μοχλό ασφάλισης.

► **Εικ.1:** 1. Κάλυμμα 2. Μοχλός ασφάλισης

Ευθυγραμμίστε τη γλωττίδα στην κασέτα μπαταριών με την αυλάκωση στο περίβλημα και σύρετέ τη στη θέση της. Τοποθετήστε την μέχρι τέρμα μέχρι να ασφαλίσει στη θέση της, γεγονός που υποδεικνύεται με ένα χαρακτηριστικό ήχο. Αν μπορείτε να δείτε τον κόκκινο δείκτη όπως απεικονίζεται στην εικόνα, δεν έχει κλειδωθεί τελείως.

► **Εικ.2:** 1. Κόκκινος δείκτης 2. Κουμπί 3. Κασέτα μπαταριών

Αφού τοποθετήσετε ή αφαιρέσετε τις κασέτες μπαταριών, φροντίστε να κλείσετε το κάλυμμα.

Για να αφαιρέσετε την κασέτα μπαταριών, ανοίξτε το κάλυμμα, σύρετε και βγάλτε την κασέτα μπαταριών από το εργαλείο ενώ πατάτε το κουμπί στο μπροστινό μέρος. Μετά, κλείστε το κάλυμμα.

▲ ΠΡΟΣΟΧΗ: Να τοποθετείτε πάντα την κασέτα μπαταριών πλήρως μέχρι να μη βλέπετε τον κόκκινο δείκτη. Εάν δεν ασφαλιστεί, μπορεί να πέσει από το εργαλείο τυχαία, προκαλώντας σωματική βλάβη σε εσάς ή κάποιον άλλο γύρω σας.

▲ ΠΡΟΣΟΧΗ: Μην τοποθετείτε την κασέτα μπαταριών με βία. Εάν η κασέτα δεν ολισθαίνει με ευκολία, τότε δεν έχει τοποθετηθεί κατάλληλα.

▲ ΠΡΟΣΟΧΗ: Φροντίστε να κλειδώσετε το κάλυμμα πριν τη λειτουργία.

Σύστημα προστασίας εργαλείου/ μπαταρίας

Το εργαλείο είναι εξοπλισμένο με σύστημα προστασίας εργαλείου/μπαταρίας. Αυτό το σύστημα αποκόπτει

αυτόματα την ισχύ προς το μοτέρ για να παραταθεί η διάρκεια λειτουργίας του εργαλείου και της μπαταρίας. Το εργαλείο σταματάει αυτόματα με ένδειξη αν το εργαλείο ή η μπαταρία βρεθούν κάτω από τις παρακάτω συνθήκες:

► **Εικ.3:** 1. Ένδειξη

Προστασία υπερφόρτωσης

Αν χειριστείτε το εργαλείο ή την μπαταρία με τρόπο που να τραβά αφύσικα υψηλό ρεύμα, το εργαλείο θα σταματήσει αυτόματα και ο κόκκινος δείκτης θα ανάψει. Σε αυτή την κατάσταση, απενεργοποιήστε το εργαλείο και διακόψτε την εφαρμογή που προκαλεί την υπερφόρτωση του εργαλείου. Μετά, ενεργοποιήστε το εργαλείο για επανεκκίνηση.

Προστασία υπερθέρμανσης

Όταν το εργαλείο ή η μπαταρία υπερθερμανθεί, η λειτουργία του εργαλείου σταματάει αυτόματα και ο κόκκινος δείκτης ανάβει. Σε αυτή την κατάσταση, αφήστε να μειωθεί η θερμοκρασία του εργαλείου πριν ενεργοποιήσετε ξανά το εργαλείο.

Προστασία υπερβολικής αποφόρτισης

Όταν η χωρητικότητα μπαταρίας είναι χαμηλή, αναβοσβήνει ο κόκκινος δείκτης. Όταν η μπαταρία έχει σχεδόν εξαντληθεί, η λειτουργία του εργαλείου σταματάει αυτόματα και ο κόκκινος δείκτης ανάβει. Σε αυτή την περίπτωση, βγάλτε την μπαταρία από το εργαλείο και φορτίστε την μπαταρία.

Προστασία και από άλλες αιτίες

Το σύστημα προστασίας έχει επίσης σχεδιαστεί για άλλες αιτίες που μπορούν να προκαλέσουν ζημιά στο εργαλείο και επιτρέπει την αυτόματη διακοπή του εργαλείου. Λάβετε όλα τα ακόλουθα βήματα για να διορθώσετε τις αιτίες, όταν το εργαλείο τεθεί σε προσωρινή διακοπή ή διακοπή κατά τη διάρκεια της λειτουργίας.

1. Απενεργοποιήστε το εργαλείο και, στη συνέχεια, ενεργοποιήστε το ξανά για να επανεκκινήσει.
2. Φορτίστε την μπαταρία ή τις μπαταρίες ή αντικαταστήστε τις με επαναφορτιζόμενες μπαταρίες.
3. Αφήστε το εργαλείο και τις μπαταρίες να ψυχθούν.

Εάν δεν υπάρχει βελτίωση με την επαναφορά του συστήματος προστασίας, επικοινωνήστε με το τοπικό σας κέντρο εξυπηρέτησης της Makita.

ΕΙΔΟΠΟΙΗΣΗ: Αν το εργαλείο σταματήσει λόγω μιας αιτίας που δεν περιγράφεται ανωτέρω, ανατρέξτε στην ενότητα στην επίλυση προβλημάτων.

Εμφάνιση υπολειπόμενης χωρητικότητας μπαταρίας

Μόνο για κασέτες μπαταρίας με την ενδεικτική λυχνία

Πιέστε το κουμπί ελέγχου στην κασέτα μπαταριών για να υποδείξετε την υπολειπόμενη χωρητικότητα μπαταρίας. Οι ενδεικτικές λυχνίες ανάβουν για λίγα δευτερόλεπτα.

► **Εικ.4:** 1. Ενδεικτικές λυχνίες 2. Κουμπί ελέγχου

Ενδεικτικές λυχνίες			Υπολειπόμενη χωρητικότητα
Αναμμένες	Σβηστές	Αναβοσβήνουν	
■	□	◐	75% έως 100%
■ ■ ■ ■			50% έως 75%
■ ■ □ □			25% έως 50%
■ □ □ □			0% έως 25%
◐ □ □ □			Φορτίστε την μπαταρία.
■ ■ □ □	↑ ↓		Μπορεί να προέκυψε δυσλειτουργία στην μπαταρία.
□ □ ■ ■			

ΠΑΡΑΤΗΡΗΣΗ: Ανάλογα με τις συνθήκες χρήσης και τη θερμοκρασία περιβάλλοντος, η ένδειξη μπορεί να διαφέρει λίγο από την πραγματική χωρητικότητα.
ΠΑΡΑΤΗΡΗΣΗ: Η πρώτη (τέρμη αριστερά) ενδεικτική λυχνία θα αναβοσβήνει όταν λειτουργεί το σύστημα προστασίας μπαταρίας.

Διακόπτης τρόπου λειτουργίας πίεσης

Επιλέξτε τον επιθυμητό σας τρόπο λειτουργίας πίεσης σύροντας τον μοχλό διακόπτη προς τα μπροστά και πίσω.
 Τραβήξτε τον μοχλό προς τα πίσω για τρόπο λειτουργίας χαμηλής πίεσης, ώστε στον διακόπτη να εμφανίζεται το αριθμητικό σύμβολο «1».
 Σπρώξτε τον μοχλό προς τα μπροστά για τρόπο λειτουργίας υψηλής πίεσης, ώστε στον διακόπτη να εμφανίζεται το αριθμητικό σύμβολο «2».

- **Εικ.5:** 1. Τρόπος λειτουργίας χαμηλής πίεσης (1)
 2. Τρόπος λειτουργίας υψηλής πίεσης (2)
 3. Μοχλός διακόπτη τρόπου λειτουργίας πίεσης

Σκανδάλη διακόπτης

Το πλυστικό μηχανήμα πίεσης διαθέτει ένα κλειδωμα ασφαλείας στη σκανδάλη. Για να απελευθερώσετε το κλειδωμα σκανδάλης, πατήστε το κουμπί ασφάλισης μέσα στη σκανδάλη για να γίνει η επιφάνεια της σκανδάλης επίπεδη.
 Τραβήξτε τη σκανδάλη διακόπτη για να εκτοξεύσετε μια δέσμη νερού. Η δέσμη νερού συνεχίζεται όσο πατάτε τη σκανδάλη.

- **Εικ.6:** 1. Σκανδάλη διακόπτης 2. Κουμπί ασφάλισης

Σπρώξτε το κουμπί ασφάλισης ξανά προς τα έξω, από το εσωτερικό της σκανδάλης, για να δεσμεύσετε το κλειδωμα σκανδάλης.
 Βεβαιωθείτε να κλειδώσετε τη σκανδάλη όταν το πλυστικό μηχανήμα πίεσης δεν χρησιμοποιείται.

► **Εικ.7:** 1. Σκανδάλη διακόπτης 2. Κουμπί ασφάλισης

Λειτουργίες ακροφυσίου

Το ακροφύσιο ψεκασμού πολλαπλών μοτίβων (5-σε-1) διαθέτει μια ποικιλία μοτίβων ψεκασμού που μπορείτε να προσαρμόσετε ανάλογα με τις ανάγκες πλυσίματός σας. Συνδυάζοντας πέντε από τα πιο χρησιμοποιούμενα μοτίβα ψεκασμού σε ένα ακροφύσιο, χωρίς να αλλάζετε από το ένα στο επόμενο, απλώς ασφαλίστε το μοτίβο ψεκασμού που είναι κατάλληλο για την εργασία σας.

Απλή αλλαγή ακροφυσίων, 0°, 15°, 25°, 40° και ντους

- **Εικ.8**

- **Εικ.9:** 1. Σύμβολο μοτίβου ψεκασμού 2. Ένδειξη τριγώνου

Γυρίστε την κεφαλή ακροφυσίου προς τα αριστερά ή δεξιά στη θέση του επιθυμητού σας μοτίβου ψεκασμού. Ευθυγραμμίστε σωστά το σύμβολο μοτίβου ψεκασμού που θέλετε να επιλέξετε με την ένδειξη τριγώνου, ώστε η κεφαλή ακροφυσίου να ασφαλίσει με έναν χαρακτηριστικό ήχο.

- **Εικ.10**

ΕΙΔΟΠΟΙΗΣΗ: Προσέχετε να μην θέσετε την κεφαλή ακροφυσίου σε μια θέση που δεν έχει ασφαλιστεί. Διαφορετικά, το εργαλείο μπορεί να παράγει ακανόνιστα μοτίβα ψεκασμού, έχοντας ως αποτέλεσμα διαρροές νερού.

▲ΠΡΟΣΟΧΗ: Προσπαθήστε να μην περιστρέψετε μαζί και το κυρίως τμήμα του ακροφυσίου καθώς αλλάζετε τα μοτίβα ψεκασμού. Το ακροφύσιο μπορεί να βγει από το κυρίως τμήμα και να προκαλέσει προσωπικό τραυματισμό.

Βαλβίδα ασφαλείας

Αυτό το εργαλείο είναι εξοπλισμένο με βαλβίδα ασφαλείας που εμποδίζει την υπερβολική πίεση.

▲ΠΡΟΣΟΧΗ: Μην παραβιάζετε και μην αλλάζετε τη ρύθμιση της βαλβίδας ασφαλείας.

ΣΥΝΑΡΜΟΛΟΓΗΣΗ

▲ΠΡΟΣΟΧΗ: Να βεβαιώνεστε πάντα ότι το εργαλείο είναι σβηστό και η κασέτα μπαταρίας έχει αφαιρεθεί πριν εκτελέσετε κάποια εργασία στο εργαλείο.

Τοποθέτηση του ακροφυσίου και της επέκτασης λόγχης

▲ΠΡΟΣΟΧΗ: Να ασφαλίσετε πάντα τη σκανδάλη διακόπτη ενώ συνδέετε/αποσυνδέετε ένα ακροφύσιο και προέκταση.

Ακροφύσιο

Ευθυγραμμίστε τις προεξοχές οδηγού στο άκρο

ακροφύσιο με τις εσοχές ασφάλισης στο περίβλημα εργαλείου. Σπρώξτε το ακροφύσιο μέχρι τέρμα μέχρι οι δύο ενδείξεις τριγώνου στο ακροφύσιο και το περίβλημα να είναι στραμμένες μεταξύ τους. Στη συνέχεια, περιστρέψτε το ακροφύσιο προς την κατεύθυνση που απεικονίζεται στην εικόνα για να δεσμεύσετε την ασφάλιση. Αφού εγκαταστήσετε το ακροφύσιο, δοκιμάστε να το τραβήξετε προς τα πίσω για να εξασφαλίσετε ότι συγκρατείται καλά στη θέση του.

- **Εικ.11:** 1. Ακροφύσιο 2. Προεξοχή οδηγού
3. Εσοχή ασφάλισης 4. Ένδειξη τριγώνου
5. Περιγράμμα σχήματος πτερυγίου

ΠΑΡΑΤΗΡΗΣΗ: Βεβαιωθείτε να περιστρέψετε το περίγραμμα σχήματος πτερυγίου ώστε να είναι στραμμένο προς τα κάτω.

Για να αποσυνδέσετε το ακροφύσιο, σπρώξτε και κρατήστε το ακροφύσιο προς το περίβλημα του εργαλείου και, στη συνέχεια, περιστρέψτε το αριστερόστροφα μέχρι οι δύο ενδείξεις τριγώνου να είναι στραμμένες μεταξύ τους. Τραβήξτε και βγάλτε το ακροφύσιο από το περίβλημα εργαλείου αφού απασφαλίσει.

Επέκταση λόγχης

Πόσιμα τυχόν δυσπρόσιτων σημείων. Τοποθετήστε την επέκταση λόγχης μεταξύ του περιβλήματος εργαλείου και του ακροφυσίου ακολουθώντας τα ίδια βήματα που περιγράφονται κατά την τοποθέτηση του ακροφυσίου.

- **Εικ.12:** 1. Επέκταση λόγχης 2. Περιβλήμα εργαλείου 3. Ακροφύσιο 4. Προεξοχές οδηγού
5. Εσοχές ασφάλισης 6. Ένδειξη τριγώνου

Για να αποσυνδέσετε τα προσάρτηματα, σπρώξτε και κρατήστε το προσάρτημα μύτης προς το προσάρτημα/περίβλημα στήριξης και, στη συνέχεια, περιστρέψτε το αριστερόστροφα μέχρι οι δύο ενδείξεις τριγώνου να είναι στραμμένες μεταξύ τους. Τραβήξτε και βγάλτε το προσάρτημα μύτης από το προσάρτημα/περίβλημα στήριξης αφού απασφαλίσει.

Σύνδεση στην παροχή νερού δοχείου

ΕΙΔΟΠΟΙΗΣΗ: Να χρησιμοποιείτε πάντα τον εύκαμπτο σωλήνα πίεσης και τον διηθητήρα που παρέχονται με αυτό το εργαλείο για να παρέχετε νερό.

ΕΙΔΟΠΟΙΗΣΗ: Να διατηρείτε πάντα ύψος 2,0 m ή λιγότερο μεταξύ της εισόδου στο πλυστικό μηχάνημα πίεσης και της επιφάνειας νερού. Διαφορετικά, το πλυστικό μηχάνημα πίεσης δεν θα μπορεί να μεταφέρει το νερό στην αντλία.

ΕΙΔΟΠΟΙΗΣΗ: Βεβαιωθείτε να γεμίσετε το δοχείο νερού περισσότερο από 25 mm ύψος από τον πυθμένα και να βυθίσετε εντελώς τον διηθητήρα στο νερό.

Η παροχή του νερού μπορεί να γίνεται από ένα δοχείο/περιέκτη/ρεζερβουάρ οποιουδήποτε μεγέθους. Η παροχή νερού από δοχείο αντιμετωπίζει καταστάσεις πλύσης με πίεση, π.χ. πλύσιμο αυτοκινήτων, κηπουρική κ.λπ., όπου το νερό δεν είναι διαθέσιμο και πρέπει να μεταφερθεί στην περιοχή ή τοποθεσία πλύσης.

1. Συνδέστε τον διηθητήρα στο ένα άκρο του εύκαμπτου σωλήνα πίεσης.

Εισαγάγετε την έξοδο διηθητήρα στο χιτώνιο συνδέσμου και σπρώξτε τον να περάσει μέχρι ο διηθητήρας να ασφαλίσει στη θέση του.

- **Εικ.13:** 1. Διηθητήρας 2. Χιτώνιο συνδέσμου
3. Εύκαμπτος σωλήνας πίεσης

2. Αφήστε τον διηθητήρα στον πυθμένα του δοχείου νερού.

- **Εικ.14:** 1. Διηθητήρας 2. Εύκαμπτος σωλήνας πίεσης 3. Γάντζος εύκαμπτου σωλήνα

ΠΑΡΑΤΗΡΗΣΗ: Αναρτήστε τον εύκαμπτο σωλήνα κατά μήκος του ανοίγματος χρησιμοποιώντας τον παρεχόμενο γάντζο εύκαμπτου σωλήνα, ώστε ο διηθητήρας να κάθεται ακίνητος στον πυθμένα του δοχείου.

3. Προσαρτήστε το άλλο άκρο του εύκαμπτου σωλήνα με τον συνδετήρα εύκαμπτου σωλήνα νερού στο πλυστικό μηχάνημα πίεσης.

Τοποθετήστε το χιτώνιο συνδέσμου πάνω από την είσοδο του συνδετήρα και σπρώξτε το μέχρι το χιτώνιο συνδέσμου να ασφαλιστεί στη θέση του.

- **Εικ.15:** 1. Χιτώνιο συνδέσμου 2. Συνδετήρας εύκαμπτου σωλήνα νερού

▲ΠΡΟΣΟΧΗ: Βεβαιωθείτε ότι ο εύκαμπτος σωλήνας υψηλής πίεσης είναι συνδεδεμένος με ασφάλεια. Μια χαλαρή σύνδεση μπορεί να εκτινάξει τον εύκαμπτο σωλήνα υψηλής πίεσης, έχοντας ως αποτέλεσμα προσωπικό τραυματισμό.

ΕΙΔΟΠΟΙΗΣΗ: Εισαγάγετε νερό στο πλυστικό μηχάνημα πίεσης και εύκαμπτο σωλήνα από πριν, όπως πρόκειται να ανυψώσετε νερό από ένα ορισμένο βάθος στον τρόπο λειτουργίας υψηλής πίεσης.

Σύνδεση με κεντρική παροχή νερού

▲ΠΡΟΣΟΧΗ: Να χρησιμοποιείτε πάντα τον εύκαμπτο σωλήνα πίεσης που παρέχεται με αυτό το εργαλείο για να παρέχετε νερό.

ΕΙΔΟΠΟΙΗΣΗ: Αν συνδέσετε την κεντρική παροχή για πόσιμο νερό, χρησιμοποιήστε μια βαλβίδα αποτροπής αντίστροφης ροής που ικανοποιεί τους κανονισμούς της περιοχής σας.

ΕΙΔΟΠΟΙΗΣΗ: Διατηρήστε μια πίεση τροφοδοσίας του νερού εισόδου μικρότερη από 0,5 MPa για λεπτή τροφοδοσία. Μην υπερβαίνετε τη μέγιστη πίεση τροφοδοσίας επειδή μπορούν να προκληθούν διαρροές νερού όταν το εργαλείο σταματήσει να λειτουργεί.

Το νερό μπορεί να παρέχεται από την κεντρική παροχή νερού που διατίθεται στην περιοχή ή τοποθεσία πλύσης.

Μια συνεχή παροχή νερού σας επιτρέπει να μην ενοχλείστε με την επαναπλήρωση νερού και επιτρέπει αποδοτικό καθαρισμό του σπιτιού και κηπουρική, όπως σημακόος καθαρισμός, ξέβγαλμα και πόσιμα σε μια μεγάλη περιοχή γκαζόν ή βλάστησης.

1. Συνδέστε τον εύκαμπτο σωλήνα πίεσης με τη βρύση.

Εφαρμόστε μια κατάλληλη σύνδεση, όπως ένωση

κάνουλας νερού για να ασφαλίσετε το άκρο του εύκαμπτου σωλήνα με τη βρύση.

► **Εικ.16:** 1. Ένωση κάνουλας νερού 2. Χιτώνιο συνδέσμου 3. Εύκαμπτος σωλήνας πίεσης

ΠΑΡΑΤΗΡΗΣΗ: Ο τύπος της σύνδεσης εξαρτάται από το εχέμα της βρύσης στην οποία γίνεται η σύνδεση. Προετοιμάστε μια κατάλληλη σύνδεση που προμηθευθήκατε στο εμπόριο.

2. Προσαρτήστε το άλλο άκρο του εύκαμπτου σωλήνα με τον συνδετήρα εύκαμπτου σωλήνα νερού στο πλυστικό μηχάνημα πίεσης.

Τοποθετήστε το χιτώνιο συνδέσμου πάνω από την είσοδο του συνδετήρα και σπρώξτε το μέχρι το χιτώνιο συνδέσμου να ασφαλιστεί στη θέση του.

► **Εικ.17:** 1. Χιτώνιο συνδέσμου 2. Συνδετήρας εύκαμπτου σωλήνα νερού

Τοποθέτηση ακροφυσίου αφρού

Προαιρετικό εξάρτημα

▲ΠΡΟΣΟΧΗ: Να ασφαρίζετε πάντα τη σκανδάλη διακόπτη ενώ συνδέετε/αποσυνδέετε προαιρετικά προσαρτήματα.

ΕΙΔΟΠΟΙΗΣΗ: Να χρησιμοποιείτε μόνο ουδέτερα απορρυπαντικά. Μην χρησιμοποιείτε οικιακά απορρυπαντικά, όξινα απορρυπαντικά, αλκαλικά απορρυπαντικά, λευκαντικά, διαλύτες, εύφλεκτο υλικό ή διαλύματα βιομηχανικού τύπου, τα οποία μπορεί να προκαλέσουν ζημιά στο εργαλείο ή την ιδιοκτησία σας. Προετοιμάστε ένα διάλυμα καθαρισμού σύμφωνα με τις οδηγίες στο μπουκάλι διαλύματος και να δοκιμάζετε πάντα σε ένα κρυφό σημείο προκαταβολικά.

ΕΙΔΟΠΟΙΗΣΗ: Αν χρησιμοποιηθεί καθαριστικό με υψηλό ιζώδες, είναι πιθανό το ακροφύσιο να φράξει. Όταν χρησιμοποιείτε καθαριστικό με υψηλό ιζώδες, αραιώστε το καθαριστικό προσθέτοντας νερό στο μπουκάλι πριν από τη χρήση.

ΠΑΡΑΤΗΡΗΣΗ: Όταν χρησιμοποιείτε το ακροφύσιο αφρού, το απορρυπαντικό στο μπουκάλι αραιώνεται με το νερό που παρέχεται από το εργαλείο και ψεκάζετε. Δεν πρέπει να αραιώσετε τη συγκέντρωση του απορρυπαντικού στο μπουκάλι περισσότερο από ότι απαιτείται. Ρυθμίστε τη συγκέντρωση του απορρυπαντικού ενώ ελέγχετε τις συνθήκες χρήσης.

ΠΑΡΑΤΗΡΗΣΗ: Αν το ακροφύσιο αφρού γείρει στο πλάι, μπορεί να χυθεί το καθαριστικό.

Προετοιμάστε απορρυπαντικό πριν χρησιμοποιήσετε το ακροφύσιο αφρού.

1. Γεμίστε το δοχείο με απορρυπαντικό. Προσαρτήστε το ακροφύσιο στο δοχείο και σφίξτε καλά το καπάκι.

2. Γείρτε το ακροφύσιο αφρού για να ευθυγραμμίσετε τις προεξοχές οδηγού με τις εσοχές ασφάλισης στο περίβλημα εργαλείου. Σπρώξτε το ακροφύσιο μέχρι τέρμα και κρατήστε το στη θέση του. Στη συνέχεια, περιστρέψτε το ακροφύσιο αφρού προς την κατεύθυνση που απεικονίζεται στην εικόνα για να δεσμεύσετε την ασφάλιση.

► **Εικ.18:** 1. Ακροφύσιο αφρού 2. Δοχείο 3. Προεξοχή

οδηγού 4. Εσοχή ασφάλισης

Αφού εγκαταστήσετε το ακροφύσιο, δοκιμάστε να το τραβήξετε προς τα πίσω για να εξασφαλίσετε ότι συγκρατείται καλά στη θέση του.

3. Περιστρέψτε το καντράν απορρυπαντικού για να ρυθμίσετε τον όγκο αναρρόφησης του διαλύματος απορρυπαντικού.

► **Εικ.19:** 1. Καντράν απορρυπαντικού 2. Καντράν στο ελάχιστο 3. Καντράν στο μέγιστο

Τοποθέτηση προαιρετικών ακροφυσίων

Προαιρετικό εξάρτημα

▲ΠΡΟΣΟΧΗ: Να ασφαρίζετε πάντα τη σκανδάλη διακόπτη ενώ συνδέετε/αποσυνδέετε προαιρετικά προσαρτήματα.

Ευθυγραμμίστε τις προεξοχές οδηγού σε ένα προαιρετικό ακροφύσιο με τις εσοχές ασφάλισης στο περίβλημα εργαλείου. Σπρώξτε το ακροφύσιο μέχρι τέρμα και κρατήστε το στη θέση του. Στη συνέχεια, περιστρέψτε το ακροφύσιο προς την κατεύθυνση που απεικονίζεται στην εικόνα για να δεσμεύσετε την ασφάλιση.

Αφού εγκαταστήσετε το ακροφύσιο, δοκιμάστε να το τραβήξετε προς τα πίσω για να εξασφαλίσετε ότι συγκρατείται καλά στη θέση του.

► **Εικ.20:** 1. Ακροφύσια 2. Προεξοχή οδηγού 3. Εσοχή ασφάλισης

Για να αποσυνδέσετε το ακροφύσιο, σπρώξτε και κρατήστε το ακροφύσιο προς το περίβλημα του εργαλείου και, στη συνέχεια, περιστρέψτε το αριστερόστροφα για να ελευθερώσετε την ασφάλιση. Τραβήξτε και βγάλτε το ακροφύσιο από το πλυστικό μηχάνημα πίεσης αφού απασφαλίσει.

Τοποθέτηση του προσαρμογέα πλαστικού μπουκαλιού

Προαιρετικό εξάρτημα

▲ΠΡΟΣΟΧΗ: Να ασφαρίζετε πάντα τη σκανδάλη διακόπτη ενώ συνδέετε/αποσυνδέετε προαιρετικά προσαρτήματα.

▲ΠΡΟΣΟΧΗ: Βεβαιωθείτε να συνδέσετε καλά τον προσαρμογέα πλαστικού μπουκαλιού στο πλυστικό μηχάνημα πίεσης και το πλαστικό μπουκάλι. Αν δεν το κάνετε αυτό, μπορεί να προκληθεί η πτώση του μπουκαλιού έχοντας ως αποτέλεσμα προσωπικό τραυματισμό.

ΠΑΡΑΤΗΡΗΣΗ: Μερικά είδη πλαστικών μπουκαλιών δεν μπορούν να προσαρτηθούν.

(Χρησιμοποιήστε το πλαστικό μπουκάλι με βιδωτή εξωτερική διάμετρο 28 mm (1-1/8").)

ΠΑΡΑΤΗΡΗΣΗ: Να προτιμηθεί η χρήση ενός πλαστικού μπουκαλιού 2 λίτρων (μισό γαλόνι) για την αποθήκευση νερού.

1. Ρίξτε νερό σε ένα πλαστικό μπουκάλι.
2. Περάστε τον σωλήνα αναρρόφησης μέσα από το άνοιγμα του μπουκαλιού.

3. Συνδέστε τον προσαρμογέα στο μπουκάλι βιδώνοντας το παξιμάδι του χιτωνίου συνδέσμου.

4. Συνδέστε τον προσαρμογέα πλαστικού μπουκαλιού στον συνδετήρα εύκαμπτου σωλήνα νερού στο πλυστικό μηχανήμα πίεσης.

Τοποθετήστε το χιτώνιο συνδέσμου πάνω από την είσοδο του συνδετήρα και σπρώξτε το μέχρι το χιτώνιο συνδέσμου να ασφαλιστεί στη θέση του.

► **Εικ.21:** 1. Προσαρμογέας πλαστικού μπουκαλιού 2. Σωλήνας αναρρόφησης 3. Πλαστικό μπουκάλι 4. Συνδετήρας εύκαμπτου σωλήνα νερού

ΛΕΙΤΟΥΡΓΙΑ

▲ ΠΡΟΕΙΔΟΠΟΙΗΣΗ: Μην αγγίζετε τη δέσμη νερού και μην την κατευθύνετε προς το μέρος σας ή προς άλλους. Η δέσμη νερού είναι επικίνδυνη και μπορεί να βλάψει εσάς ή άλλους.

▲ ΠΡΟΕΙΔΟΠΟΙΗΣΗ: Όταν εκτοξεύετε τη δέσμη νερού, μην κρατάτε ποτέ το αντικείμενο που καθαρίζετε και μην τοποθετείτε τα χέρια και τα πόδια σας κοντά στη δέσμη νερού.

▲ ΠΡΟΣΟΧΗ: Μη λειτουργείτε το πλυστικό μηχανήμα υψηλής πίεσης χωρίς νερό για περισσότερες από 1 λεπτό.

▲ ΠΡΟΣΟΧΗ: Μη λειτουργείτε το πλυστικό μηχανήμα πίεσης για μεγάλη χρονική περίοδο. Μπορεί να προκληθεί υπερθέρμανση ή πυρκαγιά. Επίσης, η μακροχρόνια χρήση μπορεί να προκαλέσει κραδασμούς.

▲ ΠΡΟΣΟΧΗ: Προσέξτε την κατεύθυνση του ανέμου. Αν το απορρυπαντικό μπει στα μάτια ή στο στόμα σας, ξεπλύντε αμέσως με φρέσκο νερό και, αν απαιτείται, ζητήστε αμέσως ιατρική φροντίδα.

ΕΙΔΟΠΟΙΗΣΗ: Για να προστατέψετε το μηχανισμό του πλυστικού μηχανήματος πίεσης, μη χρησιμοποιείτε νερό με θερμοκρασία άνω των 40°C (104°F).

ΕΙΔΟΠΟΙΗΣΗ: Μην χρησιμοποιείτε ακατέργαστη παροχή νερού, όπως νερό ποταμιού, νερό λίμνης και αμμώδες ή λασπωμένο νερό. Το αφιλτράριστο βρόμικο νερό μπορεί να προκαλέσει επικαθίσεις ανεπιθύμητου υλικού στην αντλία, έχοντας ως αποτέλεσμα δυσλειτουργία.

Βάρος ανύψωσης νερού

Το κάθετο ύψος από την πηγή νερού μέχρι την είσοδο αναρρόφησης νερού του πλυστικού μηχανήματος πίεσης πρέπει να είναι μέχρι 2,0 m.

Βάθος λιμνάζοντος νερού

Γεμίστε ένα δοχείο νερού περισσότερο από 25 mm ύψος από τον πυθμένα.

► **Εικ.22:** 1. Ύψος ανύψωσης νερού 2. Βάθος λιμνάζοντος νερού

Βήματα στη βασική λειτουργία

1. Συνδέστε την είσοδο του εύκαμπτου σωλήνα νερού στην παροχή νερού.

2. Συνδέστε την έξοδο εύκαμπτου σωλήνα νερού με το πλυστικό μηχανήμα πίεσης.

► **Εικ.23**

3. Αν το υπόλοιπο νερό στο πλυστικό μηχανήμα πίεσης έχει εκκενωθεί από την τελευταία χρήση, ρίξτε νερό μέσα στον εύκαμπο σωλήνα πίεσης και πλυστικό μηχανήμα πίεσης.

Αφήστε νερό να τρέξει μέσα από τον εύκαμπο σωλήνα και πλυστικό μηχανήμα μέχρι να εκκενωθεί τυχόν αέρας μέσα σε αυτά.

(1) Αφαιρέστε το ακροφύσιο από το πλυστικό μηχανήμα πίεσης.

(2) Τοποθετήστε την κασέτα μπαταριών στο πλυστικό μηχανήμα πίεσης.

(3) Επιλέξτε τον τρόπο λειτουργίας υψηλής πίεσης.

(4) Απασφαλίστε τη σκανδάλη διακόπτη.

(5) Τραβήξτε και κρατήστε πατημένη τη σκανδάλη διακόπτη μέχρι το πλυστικό μηχανήμα πίεσης να παράγει μια σταθερή δέσμη νερού.

► **Εικ.24:** 1. Μοχλός διακόπτη τρόπου λειτουργίας πίεσης

Αφού απομακρύνετε τον αέρα από το πλυστικό μηχανήμα και τον εύκαμπο σωλήνα, αφήστε τη σκανδάλη διακόπτη.

Αφαιρέστε την κασέτα μπαταριών από το πλυστικό μηχανήμα πίεσης και συνδέστε το ακροφύσιο που είναι κατάλληλο για τον σκοπό σας.

4. Ανοίξτε το κάλυμμα και τοποθετήστε την κασέτα μπαταριών στο πλυστικό μηχανήμα πίεσης και, στη συνέχεια, ασφαλίστε το κάλυμμα.

► **Εικ.25:** 1. Κασέτα μπαταριών 2. Κάλυμμα

▲ ΠΡΟΣΟΧΗ: Προσέχετε να μην πιάσετε τα δάχτυλά σας όταν ανοίγετε ή κλείνετε το κάλυμμα μπαταριών.

5. Επιλέξτε τον επιθυμητό σας τρόπο λειτουργίας πίεσης. Στη συνέχεια, απασφαλίστε τη σκανδάλη διακόπτη.

► **Εικ.26:** 1. Μοχλός διακόπτη τρόπου λειτουργίας πίεσης 2. Σκανδάλη διακόπτη 3. Κουμπί ασφάλισης

6. Στρέψτε την κεφαλή ακροφυσίου στην περιοχή ή τοποθεσία πλύσης. Πιέστε τη σκανδάλη διακόπτη.

Η δέσμη νερού συνεχίζεται όσο πατάτε τη σκανδάλη.

► **Εικ.27**

► **Εικ.28**

▲ ΠΡΟΣΟΧΗ: Κρατήστε το πλυστικό μηχανήμα πίεσης σταθερά. Το εργαλείο αναπηδά όταν τραβάτε τη σκανδάλη διακόπτη.

▲ ΠΡΟΣΟΧΗ: Να κρατάτε πάντα το πλυστικό μηχανήμα πίεσης από τη λαβή και κάννη όταν εκτινάξετε δέσμη νερού.

Μετά τη χρήση

⚠ ΠΡΟΣΟΧΗ: Μετά τη λειτουργία του πλυστικού μηχανήματος πίεσης, να εκτελείτε πάντα τη διαδικασία που περιγράφεται στο παρόν εγχειρίδιο. Η παραμένουσα πίεση στο πλυστικό μηχανήμα πίεσης μπορεί να προκαλέσει προσωπικό τραυματισμό ή ζημιά στην εσωτερική αντλία.

1. Αφήστε τη σκανδάλη διακόπτη και ασφαλίστε τη χρησιμοποιώντας το κουμπί ασφάλισης.
2. Αποσυνδέστε τον εύκαμπτο σωλήνα νερού από την παροχή νερού.
▶ **Εικ.29**
3. Απασφαλίστε τη σκανδάλη διακόπτη και τραβήξτε τη μέχρι το υπόλοιπο νερό στο πλυστικό μηχανήμα πίεσης και εύκαμπτο σωλήνα να εκκενωθεί.
▶ **Εικ.30**

ΕΙΔΟΠΟΙΗΣΗ: Μη θέτετε το μοτέρ σε λειτουργία για περισσότερο από 1 λεπτό.

4. Αφήστε τη σκανδάλη διακόπτη και ασφαλίστε τη χρησιμοποιώντας το κουμπί ασφάλισης. Στη συνέχεια, αφαιρέστε την μπαταρία από το πλυστικό μηχανήμα πίεσης.
▶ **Εικ.31:** 1. Κουμπί ασφάλισης 2. Κασέτα μπαταριών
5. Αποσυνδέστε τον εύκαμπτο σωλήνα πίεσης από το πλυστικό μηχανήμα πίεσης.
▶ **Εικ.32:** 1. Χιτώνιο συνδέσμου 2. Συνδετήρας εύκαμπτου σωλήνα νερού

ΕΙΔΟΠΟΙΗΣΗ: Για να αποφευχθεί η πρόκληση ζημιών στον εύκαμπτο σωλήνα πίεσης, αφαιρέστε το εναπομένον νερό στον εύκαμπτο σωλήνα πριν την αποθήκευση.

ΣΥΝΤΗΡΗΣΗ

⚠ ΠΡΟΣΟΧΗ: Να βεβαιώνετε πάντα ότι το εργαλείο είναι σβηστό και ότι έχετε βγάλει την κασέτα μπαταριών πριν εκτελέσετε οποιαδήποτε εργασία επιθεώρησης ή συντήρησης σε αυτό.

ΕΙΔΟΠΟΙΗΣΗ: Μην χρησιμοποιείτε ποτέ βενζίνη, πετρελαϊκό αιθέρα, διαλυτικό, αλκοόλη ή παρόμοιες ουσίες. Μπορεί να προκληθεί αποχρωματισμός, παραμόρφωση ή ρυγμές.

Για τη διατήρηση της ΑΣΦΑΛΕΙΑΣ και ΑΞΙΟΠΙΣΤΙΑΣ του προϊόντος, οι επισκευές και οποιαδήποτε άλλη εργασία συντήρησης ή ρύθμισης πρέπει να εκτελούνται από εξουσιοδοτημένα ή εργοστασιακά κέντρα εξυπηρέτησης της Makita, χρησιμοποιώντας πάντοτε ανταλλακτικά της Makita.

Καθαρισμός των ακροφυσίων

Χρησιμοποιήστε τον καθαριστικό πείρο, δηλαδή μια μικρή ακίδα σαν λίμα, για να αφαιρέσετε τη φραγμένη βρομιά από τα ανώγιμα των ακροφυσίων.

▶ **Εικ.33:** 1. Πείρος καθαριστικού 2. Ακροφύσιο

ΠΑΡΑΤΗΡΗΣΗ: Για να διατηρείτε τη βέλτιστη απόδοση, να καθαρίζετε το ακροφύσιο περιοδικά.

ΕΙΔΟΠΟΙΗΣΗ: Μην αφαιρείτε τη βρομιά ή τα υπολείμματα με βία. Αυτό μπορεί να έχει ως αποτέλεσμα τον προσωπικό τραυματισμό ή τη ζημιά στην οπή εξαγωγής, προκαλώντας παρεκκλινόμενες γωνίες δέσμης ή ανεπαρκή απόδοση.

Καθαρισμός φίλτρων

Αποσυνδέστε τον συνδετήρα εύκαμπτου σωλήνα νερού από το πλυστικό μηχανήμα πίεσης. Αφαιρέστε τη σκόνη ή τη βρομιά που είναι προσκολλημένη στο φίλτρο.

▶ **Εικ.34:** 1. Συνδετήρας εύκαμπτου σωλήνα νερού 2. Φίλτρο 3. Σφραγιστικός δακτύλιος

Αποσυαρμολογήστε τον διηθητήρα ξεβιδώνοντας τη θήκη φίλτρου. Αφαιρέστε τη σκόνη ή τη βρομιά που είναι προσκολλημένη στο φίλτρο.

▶ **Εικ.35:** 1. Φίλτρο 2. Θήκη φίλτρου

ΠΑΡΑΤΗΡΗΣΗ: Για να διατηρείτε τη βέλτιστη απόδοση, να καθαρίζετε το φίλτρο περιοδικά.

ΑΝΤΙΜΕΤΩΠΙΣΗ ΠΡΟΒΛΗΜΑΤΩΝ

Πριν ζητήσετε επισκευές, εκτελέστε αρχικά τη δική σας επιθεώρηση. Αν εντοπίσετε πρόβλημα που δεν επεξηγείται στο εγχειρίδιο, μην επιχειρήσετε να αποσυαρμολογήσετε το εργαλείο. Αντ' αυτού, ζητήστε βοήθεια από εξουσιοδοτημένα κέντρα εξυπηρέτησης της Makita και πάντοτε να χρησιμοποιείτε γνήσια ανταλλακτικά της Makita.

Κατάσταση προβλήματος	Πιθανή αιτία (δυσλειτουργία)	Αποκατάσταση
Το πλυστικό μηχανήμα δεν ξεκινά.	Δεν υπάρχει ηλεκτρισμός	Τοποθετήστε φορτισμένη κασέτα μπαταριών.
	Η σκανδάλη διακόπτη είναι ασφαλισμένη.	Απασφαλίστε τη σκανδάλη διακόπτη.
	Κατεστραμμένη μπαταρία ή ηλεκτρικό κύκλωμα	Απευθυνθείτε σε εξουσιοδοτημένο κέντρο εξυπηρέτησης για επισκευή.

Κατάσταση προβλήματος	Πιθανή αιτία (δυσλειτουργία)	Αποκατάσταση
Δεν υπάρχει δέσμη νερού / η δέσμη νερού είναι ασθενής	Δεν υπάρχει παροχή νερού	Βεβαιωθείτε ότι η βρύση είναι ανοικτή. Εάν συνδέσετε σε παροχή νερού από δοχείο, ρίξτε νερό μέσα στο πλυστικό μηχάνημα πίεσης και τον εύκαμπτο σωλήνα.
	Ανεπαρκής παροχή νερού	Ανοίξτε τη βρύση.
	Ανεπαρκής σύνδεση εύκαμπτου σωλήνα νερού	Ελέγξτε τη σύνδεση μεταξύ του πλυστικού μηχανήματος πίεσης και της παροχής νερού.
	Παραμορφωμένος ή φθαρμένος εύκαμπτος σωλήνας νερού	Ισιώστε τον εύκαμπτο σωλήνα. Αντικαταστήστε τον κατεστραμμένο εύκαμπτο σωλήνα νερού με έναν καινούριο.
	Φραγμένος εύκαμπτος σωλήνας ή ακροφύσιο	Ξεφράξτε τον εύκαμπτο σωλήνα ή το ακροφύσιο.
	Φραγμένα φίλτρα	Αφαιρέστε τη σκόνη και τη βρομιά που είναι προσκολλημένες στα φίλτρα στον διηθητήρα και τον συνδετήρα εύκαμπτου σωλήνα νερού.
	Απόβλητο/ρουπασμένο νερό	Καθαρίστε το σύστημα νερού και επαναπληρώστε με καθαρό νερό.
	Κατεστραμμένο ή φθαρμένο ακροφύσιο	Αντικαταστήστε το ακροφύσιο.
	Δυσλειτουργία αντλίας ή βαλβίδας	Απευθυνθείτε σε εξουσιοδοτημένο κέντρο εξυπηρέτησης για επισκευή.
	Χαλαρός σύνδεσμος νερού	Ασφαλίστε τη σύνδεση μεταξύ του εύκαμπτου σωλήνα νερού και των χιτωνίων συνδέσμου.
	Διαρροές από σύνδεση παροχής νερού	Σφίξτε ξανά τη σύνδεση μεταξύ του εύκαμπτου σωλήνα νερού και της παροχής νερού.
	Ανεπαρκώς τοποθετημένος διηθητήρας	Βυθίστε εντελώς τον διηθητήρα μέσα στο νερό.
Τρόπος λειτουργίας χαμηλής πίεσης σε χρήση	Επιλέξτε τον τρόπο λειτουργίας υψηλής πίεσης.	
Ασταθής δέσμη νερού	Φραγμένο ακροφύσιο	Ξεφράξτε την οπή εξαγωγής του ακροφυσίου χρησιμοποιώντας τον πείρο καθαριστικού.
	Ανεπαρκής αναρόφηση νερού	Ελέγξτε τον εύκαμπτο σωλήνα νερού για τυχόν διαρροές ή φραξίματα.
	Το νερό είναι πολύ ζεστό.	Παράσχετε πιο κρύο νερό.
	Δυσλειτουργία βαλβίδας	Απευθυνθείτε σε εξουσιοδοτημένο κέντρο εξυπηρέτησης για επισκευή.
Μη φυσιολογικός ήχος	Το νερό είναι πολύ ζεστό.	Παράσχετε πιο κρύο νερό.
Διαρροή νερού	Κακή σύνδεση	Ελέγξτε τη σύνδεση μεταξύ του πλυστικού μηχανήματος πίεσης και της παροχής νερού.
	Κακή τοποθέτηση ακροφυσίου	Σπρώξτε το ακροφύσιο τέρμα μέσα. Στη συνέχεια, περιστρέψτε το ακροφύσιο μέχρι να ασφαλίσει καλά.
	Η κεφαλή ακροφυσίου παραμένει σε λανθασμένη θέση	Θέστε την κεφαλή ακροφυσίου σε μια ασφαλισμένη θέση με το σύμβολο μοτίβου ψεκασμού εντελώς ορατό.
	Φθαρμένες στεγανοποιήσεις	Απευθυνθείτε σε εξουσιοδοτημένο κέντρο εξυπηρέτησης για επισκευή.

ΠΡΟΑΙΡΕΤΙΚΑ ΕΞΑΡΤΗΜΑΤΑ

⚠ ΠΡΟΣΟΧΗ: Αυτά τα εξαρτήματα ή προσαρτήματα συνιστώνται για χρήση με το εργαλείο Makita που περιγράφηκε στις οδηγίες αυτές. Η χρήση οποιωνδήποτε άλλων εξαρτημάτων ή προσαρτημάτων μπορεί να προκαλέσει κίνδυνο τραυματισμού σε άτομα. Να χρησιμοποιείτε τα εξαρτήματα ή προσαρτήματα μόνο για την χρήση που προορίζονται.

Εάν χρειάζεστε οποιαδήποτε βοήθεια για περισσότερες πληροφορίες σε σχέση με αυτά τα εξαρτήματα,

αποταναθείτε στο τοπικό σας κέντρο εξυπηρέτησης Makita.

ΠΑΡΑΤΗΡΗΣΗ: Μερικά στοιχεία στη λίστα μπορεί να συμπεριλαμβάνονται στη συσκευασία εργαλείου ως στάνταρ εξαρτήματα. Μπορεί να διαφέρουν ανάλογα με τη χώρα.

Ακροφύσιο αφρού

► Εικ.36

Το απορρυπαντικό μπορεί να ψεκαστεί ως αφρός.

Βούρτσα πλυσίματος

► Εικ.37

Ακροφύσιο εξοπλισμένο με βούρτσα. Χρήσιμη για το πλύσιμο βρομιάς ενώ τρίβετε με τη βούρτσα.

Ακροφύσιο γωνίας

► Εικ.38

Μια κεφαλή ακροφυσίου γωνίας μπορεί να περιστρέφεται 360 μοίρες, επιτρέποντας ελιγμούς και κάλυψη χωρίς οποιεσδήποτε νεκρές γωνίες.

Προσαρμογέας πλαστικού μπουκαλιού

► Εικ.39

Αντλήστε νερό από μπουκάλι και εξαγάγετέ το εύκολα από πλαστικό μπουκάλι. Ένα μπουκάλι νερό μπορεί να εξυπηρετήσει ως πηγή νερού.

UYARI

- Cihaz çocuklar tarafından kullanılmamalıdır. Araçla oynamadıklarından emin olmak için çocuklar kontrol altında bulundurulmalıdır.
- Bu cihaz, güvenliklerinden sorumlu kişi tarafından nezaret edilmediği veya cihazın kullanımına ilişkin eğitim verilmediği takdirde çocuklar da dahil olmak üzere fiziksel, duyuşsal veya zihinsel engelli ya da tecrübe ve bilgisi olmayan kişiler tarafından kullanılmamalıdır.
- Basınçlı su insanlara, akım çeken elektrikli cihazlara veya cihazın kendisine doğrultulmamalıdır.
- Cihaz üzerinde herhangi bir işlem yapmadan önce cihazın kapalı ve batarya kartuşunun çıkartılmış olduğundan daima emin olun.
- Cihazın örneğın güvenlik aygıtları, basınç hortumları gibi önemli parçaları hasarlıysa cihazı kullanmayın.
- Kullanıcı bakımı sırasındaki uygun önlem bilgileri için bakım bölümündeki talimatları okuyun.
- Bataryayı şarj etmek için normal sıcaklık aralığını öğrenin. Bataryaların kullanımı ile ilgili önlemleri öğrenmek için batarya kartuşu güvenlik talimatlarını okuyun.
- Cihazın montajı sırasındaki uygun önlem bilgileri için montaj bölümündeki talimatları okuyun.
- Maksimum su giriş basıncını öğrenin. Su şebekesine bağlantı ile ilgili uygun ayrıntılar için teknik özellikler bölümündeki bilgileri okuyun.
- Daima cihazla verilen hortum setlerini kullanın. Su şebekesine bağlantı ile ilgili önlem bilgilerini öğrenmek için montaj bölümündeki talimatları okuyun.
- Kullanım sırasında su doldurma açıklığı açılmamalıdır. Su basıncını korumak için montaj bölümündeki talimatlara uyun.
- Su içeren yüzme havuzlarında kullanmayın.
- Yerel su tedarik şirketinin gereksinimlerine uyun.
- Avrupa ülkeleri için:
EN12729'a göre (Tip BA), tedarik hortumuna drenaj özellikli bir geri akış önleme valfi takılırsa, alet içme suyu şebekesine de

bağlanabilir.

TEKNİK ÖZELLİKLER

Model:	DHW180	
Maks. debi ^{*1} [Tank su beslemesi / Şebeke su beslemesi]	3,0 / 5,3 L/dak	
Su debisi ^{*2}	Yüksek mod	2,5 L/dak
	Düşük mod	1,5 L/dak
Maks. çalışma basıncı	2,4 MPa	
Çalışma basıncı ^{*2}	Yüksek mod [Tank su beslemesi / Şebeke su beslemesi]	2,0 / 2,2 MPa
	Düşük mod [Tank su beslemesi / Şebeke su beslemesi]	0,8 / 0,8 MPa
Maks. besleme basıncı	0,5 MPa	
Maks. besleme sıcaklığı	40°C	
Maks. emme yüksekliği	2,0 m	
Anma voltajı	D.C. 18 V	
Boyutlar ^{*3} [U x G x Y]	888 mm x 99 mm x 239 mm	
Ağırlık	2,3 - 2,7kg	

*1 : Nozul olmadan

*2 : Püskürtme deseni 15°

*3 : 5'i 1 arada nozul ve uzatma borusu ile

- Sürekli yapılan araştırma ve geliştirmelerden dolayı, burada belirtilen özellikler önceden bildirilmeksizin değiştirilebilir.
- Özellikler ülkeden ülkeye değişebilir.
- Ağırlık, ekli aksesuara/aksesuarlara ve batarya kartuşuna bağlı olarak farklılık gösterebilir. En hafif ve en ağır kombinasyon tabloda gösterilmiştir.

Geçerli batarya kartuşu ve şarj aleti

Batarya kartuşu	BL1815N / BL1820B / BL1830B / BL1840B / BL1850B / BL1860B
Şarj aleti	DC18RC / DC18RD / DC18RE / DC18SD / DC18SE / DC18SF / DC18SH / DC18WC

- Yukarıda listelenen batarya kartuşlarının ve şarj aletlerinin bazıları yaşadığımız bölgeye bağlı olarak mevcut olmayabilir.

⚠UYARI: Sadece yukarıda listelenen batarya kartuşlarını ve şarj aletlerini kullanın. Başka batarya kartuşlarının ve şarj aletlerinin kullanılması yaralanma ve/veya yangına neden olabilir.

⚠UYARI: Batarya adaptörü veya taşınabilir güç ünitesi gibi kablolu güç kaynaklarını bu makine ile kullanmayın. Bu tür güç kaynaklarının kablosu çalışmayı engelleyebilir ve yaralanmaya neden olabilir.

Semboller

Ekipmanı için kullanılabilecek semboller aşağıda gösterilmiştir. Kullanmadan önce anlamlarını anladığınızdan emin olun.



El kitabını okuyun.



Çok özenli ve dikkatli kullanın.



Sadece AB ülkeleri için
Ekipmanda tehlikeli bileşenler bulunduğundan dolayı atık elektrikli ve elektronik ekipmanlar, aküler ve bataryalar çevre ve insan sağlığı üzerinde olumsuz etkiye yol açabilir.

Elektrikli ve elektronik cihazları veya bataryaları evsel atıklarla birlikte atmayın!
Atık elektrikli ve elektronik ekipmanlar ile akümülatörler ve bataryalar hakkındaki Avrupa Direktifi ve söz konusu direktifin ulusal yasalara uyarlanması gereğince atık elektrikli ekipmanlar, bataryalar ve akümülatörler ayrı olarak depolanmalı ve çevre koruma hakkındaki mevzuata uygun olarak faaliyet gösteren ayrı bir kesim atık toplama noktasına teslim edilmelidir.
Bu husus, ekipmanın üzerine yerleştirilmiş üzerinde çarpı işareti bulunan tekerlekli çöp kovası simgesi ile belirtilmiştir.



İçilir su musluğuna bağlamayın.



Jeti kendiniz dahil insanlara, hayvanlara ve akım çeken elektrikli cihazlara doğrultmayın.

Kullanım amacı

Bu alet, evde kullanım için su jeti kullanarak kirleri temizlemek amacıyla tasarlanmıştır. Seçilebilir püskürtme tipi sunan alet, yıkama ve çim ve bahçe sulamaları için geliştirilmiştir.

GÜVENLİK UYARILARI

ÖNEMLİ GÜVENLİK UYARILARI

⚠️ UYARI: Tüm güvenlik uyarılarını ve tüm talimatları okuyun. Uyarılara ve talimatlara uyulmaması elektrik şoku, yangın ve/veya ciddi yaralanmalar ile sonuçlanabilir.

Tüm uyarıları ve talimatları iletide başvurmak için saklayın.

UYARI - Bu ürünü kullanılırken aşağıdakiler de dahil olmak üzere temel önlemler mutlaka takip edilmelidir:

Çalışma alanı güvenliği

1. Tüm insanları çalışma alanından uzak tutun.
2. Dengesiz desteklerin üzerinden uzanmayın veya bunların üzerinde durmayın. Daima sağlam ve dengeli basın.
3. Basınçlı yıkama makinasının gövdesini daima düz ve sabit bir yüzeye koyun. Püskürtülen suyun akacağı veya birikeceği alanlardan kaçının.
4. Temizleme öncesinde etrafı ve temizlenecek nesnelere kontrol edin. Basınçlı jetler zehirli kimyasallar içeren boya veya diğer yüzey kaplamalarını kazıyarak çıkarabilir. Gerekirse önleyici tedbirler alın.
5. Basınçlı yıkama makinasının hortumuna

takılarak düşmemeye dikkat edin. Çalışma sırasında hortumun yerleşiminin daima farkında olun.

6. Kullanım sırasında basınçlı yıkama makinasının alt kısmından az miktarda su çıkar. Aleti, ıslanmasını istemediğiniz alanların üzerinde çalıştırmamaya dikkat edin.

Kişisel güvenlik

1. Jete ve jetin fırlattığı nesnelere karşı korunmak için operatörler güvenlik ayakkabısı, güvenlik eldiveni, vizörlü güvenlik kaskı, kulak tıkacı, vb. uygun giysi giymeli ve koruyucu ekipman takmalıdır.
2. Kişisel koruyucu ekipman kullanın. Uygulamaya bağlı olarak yüz siperi, emniyet gözlüğü veya koruyucu gözlük kullanın; çünkü göz koruyucu çeşitli işlemlerin neden olduğu uçuşan çer çöpü durdurabilir.
3. Basınçlı yıkama makinasını, koruyucu giysi giymiyorsa insanlara erişebilecek mesafede kullanmayın.
4. Yaralanma riskini azaltmak için ürün çocukların yanında kullanırken yakın nezaret gereklidir.
5. İçilir su sistemine bağlantı yapılırsa sistem, geri akışa karşı korunmalıdır.
6. Geri akış engelleyicisi üzerinden akan su, güvenli olmayan su olarak değerlendirilir.

Elektrik güvenliği

1. Batarya kartuşlarına asla ıslak elle ellemeyin.
2. Cihazın örneğin güvenlik aygıtları, basınç hortumları gibi önemli parçaları hasarlıysa cihazı kullanmayın.
3. Tehlikeli ortamlardan kaçının. Aleti nemli ya da ıslak yerlerde kullanmayın ve yağmura maruz bırakmayın. Makinenin içine su girmesi elektrik çarpması riskini arttıracaktır.

Elektrikli aletlerin kullanımı ve bakımı

1. Ürünü kullanmadan önce tüm talimatları okuyun.
2. Basınçlı yıkama makinasını ve basınç kaçaklarını hızlı bir şekilde nasıl durduracağınızı bilin. Kumandaları ayrıntılıyla tanıyın.
3. Yanıcı ve/veya zehirli sıvıları püskürtmeyin. Patlamaya, zehirlenmeye veya cihazın hasar görmesine neden olabilir.
4. Giysi veya ayakkabıları temizlemek için jeti kendinize veya diğer insanlara doğrultmayın.
5. Basınç hortumları, bağlantı parçaları ve rakorlar cihazın güvenliğini için önemlidir. Yalnızca üretici tarafından önerilen hortumları, bağlantı parçalarını ve rakorları kullanın.
6. Aksesuarları değiştirirken talimatları izleyin.
7. Makinenin tutamaklarını kuru, temiz ve yağ veya greslen temiz tutun.
8. Dikkatli olun - ne yaptığınızı dikkat edin.
9. Yorgunken veya alkol ya da ilaçların etkisi altındayken ürünü kullanmayın.
10. Basınçlı yıkama makinasını susuz bir dakikadan daha uzun çalıştırmayın. Motora hasar verecek arızayla sonuçlanabilir.
11. Basınçlı yıkama makinasını gözetimsiz bırakırken daima gücü ve su şebekesini kapatın.

12. Geri tepmeye karşı uyanık olun. Basınçlı jet nozuldan püskürtülürken cihaz geri teper. Kazara yaralanmaları engellemek için cihazı sıkıca tutun.
13. Kullanmadan önce hasarlı veya eskimiş parça olup olmadığını kontrol edin. Ayrıca hortumun düzgün bir şekilde bağlandığından ve çalışma sırasında kaçak olmadığından emin olun. Cihazın fonksiyonel kusurlarla çalıştırılması kazaya neden olabilir.
14. Basınçlı yıkama makinasının gövdesini taşımak için hortumu çekmeyin. Bu işlem hortuma ve bağlantı parçalarına hasar verir ve kısa devreye veya fonksiyonel kusurlara neden olur.
15. Hortumun üzerine ağır nesnelere koymayın veya araçların üzerinden geçmesine izin vermeyin.
16. Hortumu ayırmadan önce cihazdaki artık basıncı mutlaka boşaltın.
17. Hortum su şebekesine bağlarken yerel su idaresinin veya firmasının talimatlarına uyun.
18. Basınçlı yıkama makinasını düşürülür veya sert bir nesneye çarpılırsa mutlaka hasar ve çatlama karşı kontrol edin. Basınçlı yıkama makinasının hasarlı kullanılması yaralanmaya yol açacak duman, alev üretilebilir veya elektrik çarpmasına neden olabilir.
19. İstem dışı çalışmayı önleyin. Batarya kutusuna takmadan, cihazı elinize almadan veya taşımadan önce düğmenin kapalı konumunda olduğundan emin olun. Cihazı parmağınızın düğmenin üzerindeyken taşıma ya da düğme açık konumundayken cihaza güç verme kazalara davetiye çıkarır.
20. Herhangi bir ayarlama yapmadan, aksesuar değiştirmeden ya da cihazı saklamadan önce batarya kutusunu cihazdan ayırın. Bu önleyici güvenlik önlemleri cihazı kazayla çalıştırma riskini azaltır.
21. Cihazı veya batarya kutusunu, kullanım ve bakım talimatlarında belirtilenler dışında modifiye etmeyin ya da onarmaya çalışmayın.
22. UYARI - Enjeksiyon veya Yaralanma Riski - Çıkan Su Akımını İnsanlara Doğrultmayın.
23. Temizlenecek nesne veya alanın sulamaya karşı dayanıklı olduğundan emin olun. Aksi takdirde eşya veya sahaya zarar vererek yaralanmaya yol açabilir.

Bataryalı aletin kullanımı ve bakımı

1. Sadece üretici tarafından belirtilen şarj aleti ile şarj edin. Bir batarya kutusu için uygun olan şarj cihazı başka bir batarya kutusu ile kullanıldığında yangın riski oluşturabilir.
2. Elektrikli aletleri sadece özel olarak belirtilen batarya kutuları ile kullanın. Başka batarya kutularının kullanımı yaralanma ve yangın riski oluşturabilir.
3. Batarya kutusu kullanılmadığında; iki terminal arasında bağlantı kurulmasına sebep olabilecek ataç, bozuk para, anahtar, çivi, vida gibi metal nesnelere ya da küçük metal objelerden uzak tutun. Batarya terminallerine kısa devre yaptırmak yanıklara ya da yangına yol açabilir.
4. Kötü koşullarda bataryadan sıvı sızabilir; bu

sıvıya temas etmeyin. Eğer istemeden bir temas olursa suyla yıkayın. Sıvı göze temas ederse, suyla yıkadıktan sonra tıbbi yardım alın. Bataryadan çıkan sıvı tahrişe ya da yanıklara neden olabilir.

5. Batarya kutusu ya da alet hasar görmüşse ya da üzerinde değişiklik yapılmış batarya kutusunu kullanmayın. Hasar görmüş ya da üzerinde değişiklik yapılmış batarya kutuları yangın, patlama ya da yaralanma riski ile sonuçlanan beklenmedik davranışlar sergileyebilir.
6. Batarya kutusunu veya aleti ateşe ya da aşırı sıcaklıklara maruz bırakmayın. Ateşe ya da 130 °C'nin üzerindeki sıcaklıklara maruz bırakmak patlamaya neden olabilir.
7. Tüm şarj talimatlarına uyun ve batarya kutusunu ya da aleti yönergelerde belirtilen sıcaklık aralığının dışındaki sıcaklıklarda şarj etmeyin. Uygun olmayan bir şekilde ya da belirtilen sıcaklık aralığının dışında şarj etmek bataryaya zarar verebilir ve yangın riskini artırabilir.

Servis

1. Kılavuzda belirtilen bakım talimatlarını izleyin.
2. Cihaz güvenliğini sağlamak için sadece üreticinin orijinal yedek parçalarını veya üretici onaylı yedek parçaları kullanın.
3. Basınçlı yıkama makinasını, sadece orijinal yedek parçaları kullanarak kalifiye onarım personeline tamir ettirin. Bu, basınçlı yıkama makinasının güvenliğini korumasını sağlar.
4. Basınçlı yıkama makinasının bozulması veya arızalanması durumunda derhal makineyi kapatın ve batarya kartuşunu(kartuşlarını) çıkarın. Yerel bayi veya servis merkezine başvurun.

Ek güvenlik uyarıları

1. Yıldırım riski varken aleti kullanmayın.
2. Aleti çamurlu zeminde, ıslak yamaçlarda veya kaygan yerlerde kullanırken dengenize dikkat edin.
3. Yüksek kullanıcı yorgunluğunun beklendiği kötü ortamlarda çalışmaktan kaçının.
4. Bataryayı yağmurda değiştirmeyin.
5. Aleti su birikintisine sokmayın.
6. Aleti depolarken doğrudan güneş ışığı ve yağmurdan sakının, ısınmayacak veya nemlenmeyecek bir yerde depolayın.
7. Aleti kullandıktan sonra yapılan pislikleri temizleyin ve depolamadan önce aleti tamamen kurutun. Mevsim veya bölgeye bağlı olarak donma kaynaklı arıza riski vardır.
8. Batarya bağlantı uçlarını su gibi sıvılarla ıslatmayın ya da bataryayı sıvılara sokmayın. Bataryayı yağmurda bırakmayın veya bataryayı nemli ya da ıslak yerlerde şarj etmeyin, kullanmayın veya depolamayın. Bağlantı uçları ıslanır veya bataryanın içine sıvı girerse batarya kısa devre olabilir ve aşırı ısınma, yangın veya patlama riski ortaya çıkar.
9. Bataryayı alet veya şarj aletinden çıkardıktan sonra mutlaka bataryaya batarya kapağını takın ve kuru bir yerde depolayın.
10. Bataryayı ıslak ellerle değiştirmeyin.

11. Cihaz soğuk hava nedeniyle donarsa tamir için yetkili servise merkezine başvurun.
12. Bu cihazla batarya adaptörü veya taşınabilir güç ünitesi gibi kablolu güç kaynağı kullanmayın. Bu tür güç kaynaklarının kablosu çalışmayı engelleyebilir ve yaralanmaya neden olabilir.

BU TALİMATLARI SAKLAYIN.

⚠UYARI: Ürünü kullanırken (defalarca kullanınca kazanılan) rahatlık ve tanıdıklık duygusunun ilgili ürünün güvenlik kurallarına sıkı sıkıya bağlı kalmanızı yerine geçmesini İZİN VERMEYİN.

YANLIŞ KULLANIM veya bu kullanma kılavuzunda belirtilen emniyet kurallarına uymama ciddi yaralanmaya neden olabilir.

Batarya kartuşu hakkında önemli güvenlik talimatları

1. Batarya kartuşunu kullanmadan önce, tüm talimatları ve (1) batarya kartuşu, (2) batarya ve (3) ürün üzerindeki tüm uyarı işaretlerini okuyun.
2. Batarya kartuşunu parçalarına ayırmayın veya kurcalamayın. Yangın, aşırı ısı veya patlamaya neden olabilir.
3. Çalışma süresi aşırı derecede kısalmışsa kullanmayı derhal bırakın. Aşırı ısınma, yanma riski hatta patlamaya neden olabilir.
4. Gözünüze elektrolit kaçarsa, gözlerinizi temiz suyla durulayın ve hemen tıbbi yardım alın. Görme kaybına yol açabilir.
5. Batarya kartuşuna kısa devre yaptırmayın:
 - (1) Terminalere herhangi bir iletken madde değdirmeyin.
 - (2) Batarya kartuşunu çiviler, madeni paralar, vb. gibi başka metal nesnelere aynı kaba koymaktan kaçının.
 - (3) Batarya kartuşunu yağmura ya da suya maruz bırakmayın.
6. Aleti ve batarya kartuşunu sıcaklığın 50°C ya da daha yükseğe ulaştığı yerlerde saklamayın ve kullanmayın.
7. Aşırı derecede hasar görmüş ya da tamamen kullanılmaz durumda olsa bile batarya kartuşunu yakmayın. Batarya kartuşu ateşe atılırsa patlayabilir.
8. Batarya kartuşunu çivilemeyin, kesmeyin, ezmeyin, fırlatmayın, düşürmeyin ya da batarya kartuşuna sert bir nesne ile vurmeyin. Bu eylemler yangın, aşırı ısı veya patlamaya neden olabilir.
9. Hasarlı bataryayı kullanmayın.
10. Aletin içerdiği lityum-iyon bataryalar Tehlikeli Eşyalar Yönetmeliğinin gereksinimlerine tabidir.

Ticari nakliye işlemleri için, örneğin üçüncü taraflar, nakliye acenteleri tarafından yapılan nakliyelerde, paketlenme ve etiketleme gereksinimlerine uyulmalıdır.

Nakliyesi yapılacak ürünün hazırlanması için,

tehlikeli maddeler konusunda uzman bir kişiye danışın. Lütfen muhtemelen daha ayrıntılı olan ulusal yönetmeliklere de uyun.

Açık kontakları bantlayın ya da maskeleyin ve bataryayı paketin içinde hareket etmeyecek şekilde paketleyin.

11. Batarya kartuşunu bertaraf ederken aletten çıkarın ve güvenli bir yerde bertaraf edin. Bataryanın bertaraf edilmesi ile ilgili yerel düzenlemelere uyunuz.
12. Bataryaları sadece Makita tarafından belirtilen ürünlerle kullanın. Bataryaların uyumsuz ürünlere takılması; yangın, aşırı ısınma, patlama ya da elektrolit sızıntısına neden olabilir.
13. Alet uzun süre kullanılmıyacaksa batarya aletten çıkarılmalıdır.
14. Kullanma sırasında ve sonrasında batarya kartuşu ısınarak yanıklara veya düşük sıcaklık yanıklarına yol açabilir. Sıcak batarya kartuşları ile işlem yaparken dikkat edin.
15. Yanıklara neden olabilecek kadar sıcak olabileceğinden kullandıktan hemen sonra aletin terminaline dokunmayın.
16. Batarya kartuşunun terminallerine, deliklerine ve kanallarına micir, toz veya toprak girmesine izin vermeyin. Aletin veya batarya kartuşunun ısınmasına, alev almasına, patlamasına ve arızalanmasına neden olarak yanıklara veya yaralanmaya yol açabilir.
17. Alet yüksek gerilim elektrik güç hatları yakınında kullanımı desteklemediği sürece batarya kartuşunu yüksek gerilim elektrik güç hatlarının yakınında kullanmayın. Aletin veya batarya kartuşunun arızalanmasına veya bozulmasına neden olabilir.
18. Bataryayı çocuklardan uzak tutun.

BU TALİMATLARI MUHAFAZA EDİNİZ.

⚠DİKKAT: Sadece orijinal Makita bataryalarını kullanın. Orijinal olmayan Makita bataryaları ya da üzerine değişiklik yapılmış bataryaların kullanımı bataryanın patlamasına ve sonuç olarak yangın, kişisel yaralanma ve hasara neden olabilir. Ayrıca Makita aleti ve şarj aletinin Makita tarafından sunulan garantisi de geçersiz olur.

Maksimum batarya ömrü için ipuçları

1. Batarya kartuşunu tamamen boşalmadan önce şarj edin. Aletin gücünün zayıflamaya başladığını fark ettiğinizde aleti durdurun ve batarya kartuşunu şarj edin.
2. Tam dolu bir batarya kartuşunu asla yeniden şarj etmeyin. Aşırı şarj etme bataryanın hizmet ömrünü kısaltır.
3. Batarya kartuşunu 10 °C - 40 °C oda sıcaklığında şarj edin. Sıcak bir batarya kartuşunu şarj etmeden önce soğumasını bekleyin.
4. Batarya kartuşunu kullanılmıyorken aletten veya şarj aletinden çıkarın.
5. Uzun bir süre (altı aydan daha fazla) kullanmadığınız durumlarda batarya kartuşunu şarj

edin.

İŞLEVSEL NİTELİKLER

⚠️ DİKKAT: Alet üzerinde ayarlama veya işleyiş kontrolü yapmadan önce aletin kapalı ve batarya kartuşunun ayrılmış olduğundan daima emin olun.

Batarya kartuşunun takılması ve çıkarılması

⚠️ DİKKAT: Batarya kartuşunu takmadan ya da çıkarmadan önce aleti daima kapatın.

⚠️ DİKKAT: Batarya kartuşunu takarken veya çıkarırken aleti ve batarya kartuşunu sıkıca tutun. Aletin ve batarya kartuşunun sıkıca tutulmaması bunların düşürülmesine sebep olabilir ve alet ve batarya kartuşunun zarar görmesine ya da ciddi yaralanmasına yol açabilir.

⚠️ DİKKAT: Batarya kapağını açıp kapatırken parmaklarınızı sıkıştırmamaya dikkat edin.

Kilitleme mandalını ittirerek kapağı açın.

► **Şek.1:** 1. Kapak 2. Kilitleme mandalı

Batarya kartuşu üstündeki dili yuvadaki kanallara hizalayın ve yerine kaydırın. Hafif bir tık sesi duyulana kadar itip yerine tam oturmasını sağlayın. Şekilde gösterildiği gibi kırmızı göstereyi görebiliyorsanız tam olarak oturmamış demektir.

► **Şek.2:** 1. Kırmızı gösterge 2. Düğme 3. Batarya kartuşu

Batarya kartuşlarını taktıktan veya çıkardıktan sonra kapağı mutlaka kapatın.

Batarya kartuşunu çıkarmak için kapağı açın, ön kısım-daki düğmeyi aşağı bastırarak batarya kartuşunu kaydırıp aletten çıkarın, ardından kapağı kapatın.

⚠️ DİKKAT: Batarya kartuşunu daima kırmızı gösterge görünmeyecek şekilde tam olarak takın. Yerine tam oturmazsa, aletten yanlışlıkla düşebilir, sizin ya da çevrenizdeki kişilerin yaralanmasına neden olabilir.

⚠️ DİKKAT: Batarya kartuşunu zorlayarak takmayın. Kartuş kolay bir şekilde kaymıyorsa doğru yerleştirilmemiş demektir.

⚠️ DİKKAT: Çalıştırmadan önce kapağı mutlaka kilitleyin.

Alet/batarya koruma sistemi

Bu alet bir alet/batarya koruma sistemi ile donatılmıştır. Bu sistem motora giden gücü otomatik olarak keserek uzun alet ve batarya ömrü sağlar. Alet veya batarya için aşağıdaki durumlardan biri söz konusu olduğunda alet, gösterge ile otomatik olarak durur:

► **Şek.3:** 1. Gösterge

Aşırı yük koruması

Alet veya batarya, anormal yüksek akım çekmesine neden olacak şekilde çalıştırılırsa alet otomatik olarak durur ve kırmızı gösterge yanar. Bu durumda, aleti kapatın ve aletin aşırı yüklenmesine neden olan uygulamayı durdurun. Daha sonra aleti yeniden çalıştırmak için açın.

Aşırı ısınma koruması

Alet veya batarya aşırı ısındığında alet otomatik olarak durur ve kırmızı gösterge yanar. Bu durumda, aleti yeniden çalıştırmadan önce aletin soğumasını bekleyin.

Aşırı deşarj koruması

Batarya kapasitesi düştüğünde kırmızı gösterge yanıp söner. Batarya bitmek üzereyken alet otomatik olarak durur ve kırmızı gösterge yanar. Bu durumda, bataryayı aletten çıkarın ve bataryayı şarj edin.

Diğer nedenlere karşı korumalar

Koruma sistemi, alete zarar verebilecek diğer nedenler için de tasarlanmıştır ve aletin otomatik olarak durmasını sağlar. Alet çalışırken geçici duraklama veya durma yaparsa nedenleri ortadan kaldırmak için aşağıdaki tüm adımları uygulayın.

1. Aleti kapatın ve ardından tekrar açarak yeniden çalıştırın.
2. Bataryaları şarj edin veya şarjlı bataryalarla değiştirin.
3. Cihazın ve bataryaların soğumasını bekleyin.

Koruma sistemi eski haline getirilerek ilerleme kaydedilemezse yerel Makita Servis Merkezimize başvurun.

ÖNEMLİ NOT: Alet yukarıda açıklanmayan bir nedenle durursa sorun giderme kısmına bakın.




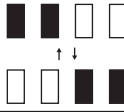
Kalan batarya kapasitesinin gösterilmesi

Sadece göstergeli batarya kartuşları için

Kalan batarya kapasitesini göstermesi için batarya kartuşu üzerindeki kontrol düğmesine basın. Gösterge lambaları birkaç saniye yanar.

► **Şek.4:** 1. Gösterge lambaları 2. Kontrol düğmesi

Gösterge lambaları			Kalan kapasite
Yanıyor	Kapalı	Yanıp sönmüyor	
■	□	◐	
■ ■ ■ ■			%75 ila %100
■ ■ ■ □			%50 ila %75
■ ■ □ □			%25 ila %50
■ □ □ □			%0 ila %25
◐ □ □ □			Bataryayı şarj edin.

Gösterge lambaları			Kalan kapasite
 Yanıyor	 Kapalı	 Yanıp sönyör	
			Batarya arızalanmış olabilir.

NOT: Kullanım koşullarına ve ortam sıcaklığına bağlı olarak, gösterilen değer gerçek kapasiteden biraz farklılık gösterebilir.

NOT: İlk (en soldaki) gösterge lambası, batarya koruma sistemi çalıştığında yanıp söner.

Basınç modu anahtarı

Anahtar kolunu ileri ve geri kaydırarak istediğiniz basınç modunu seçin.

Düşük basınç modu için kolu geri çekin, böylece anahtarın üzerinde "1" rakamı gözüksün.

Yüksek basınç modu için kolu ileri itin, böylece anahtarın üzerinde "2" rakamı gözüksün.

► **Şek.5:** 1. Düşük basınç modu (1) 2. Yüksek basınç modu (2) 3. Basınç modu anahtarı kolu

Anahtar tetik

Basınçlı yıkama makinası, tetiğin üzerinde bir güvenlik kilidi kullanır. Tetik kilidini açmak için sabitleme düğmesini tetiğin içine bastırarak tetik yüzeyinin düz olmasını sağlayın.

Su jeti püskürtmek için anahtar tetiği çekin. Tetik çekili olduğu sürece jet devam eder.

► **Şek.6:** 1. Anahtar tetik 2. Sabitleme düğmesi

Tetik kilidini devreye almak için sabitleme düğmesini tetiğin içinden geri ittirin.

Basınçlı yıkama makinası kullanımda değilken tetiği mutlaka kilitleyin.

► **Şek.7:** 1. Anahtar tetik 2. Sabitleme düğmesi

Nozul fonksiyonları

Çok desenli (5'i 1 arada) püskürtme nozulu, yıkama ihtiyaçlarınıza göre ayarlayabileceğiniz bir dizi püskürtme deseni içerir. En çok kullanılan püskürtme desenlerinden beşini tek bir nozulda birleştirir, böylece bir nozulu değiştirip başka bir nozula geçmeye gerek kalmaz; çevirerek işiniz için doğru püskürtme desenini seçmeniz yeterlidir.

Basit nozul değişimi 0°, 15°, 25°, 40° ve duş

► **Şek.8**

► **Şek.9:** 1. Püskürtme deseni simgesi 2. Üçgen işaret

Nozul başlığını sola veya sağa, istediğiniz püskürtme deseni konumuna çevirin. Nozul başlığının bir tık sesi ile kilitlemesi için seçmek istediğiniz püskürtme deseni simgesini üçgen işaretiyle düzgün bir şekilde hizalayın.

► **Şek.10**

ÖNEMLİ NOT: Nozul başlığını tık sesi ile yerine kilitlememiş bir konuma ayarlamamaya dikkat edin. Aksi takdirde alet düzensiz püskürtme desenleri oluşturarak su sızıntılarına neden olabilir.

⚠DİKKAT: Püskürtme desenlerini değiştirirken nozul gövdesini birlikte çevirmemeye çalışın. Nozul aletin gövdesinden çıkabilir ve yaralanmaya neden olabilir.

Güvenlik vanası

Bu alet, aşırı fazla basıncı engellemek için bir güvenlik vanası ile donatılmıştır.

⚠DİKKAT: Güvenlik vanası ayarını kurcalamayın veya ayarlamayın.

MONTAJ

⚠DİKKAT: Alet üzerinde herhangi bir iş yapmadan önce aletin kapalı ve batarya kartuşunun ayrılmış olduğundan daima emin olun.

Nozul ve boru uzatmasının takılması

⚠DİKKAT: Nozul ve uzatma borusunu takarken mutlaka anahtar tetiği kilitleyin.

Nozul

Nozul ucundaki kılavuz çıkıntıları, aletin gövdesindeki kilitleme yuvaları ile hizalayın. Nozulun üzerindeki iki üçgen işareti ve gövde birbirine bakana dek nozulu sonuna kadar içeri ittirin. Ardından kilidi devreye almak için nozulu şekilde gösterilen yönde çevirin. Nozul taktıktan sonra yerinde sıkıca tutulduğundan emin olmak için geri çekmeye çalışın.

► **Şek.11:** 1. Nozul 2. Kılavuz çıkıntı 3. Kilitleme yuvası 4. Üçgen işaretleri 5. Karın yüzgeci benzeri ana hat

NOT: Karın yüzgeci benzeri ana hattı aşağı bakacak şekilde çevirdiğinizden emin olun.

Nozulu çıkarmak için nozulu aletin gövdesine doğru ittirip o şekilde tutun ve ardından iki üçgen işareti birbirine bakana kadar saatin aksi yönünde çevirin. Kilidi açıldıktan sonra nozulu aletin gövdesinden çekip ayırın.

Boru uzatması

Ulaşılması zor noktaların sulanması. Boru uzatmasını, nozulun takılması kısmında anlatılan aynı adımları izleyerek aletin gövdesi ile nozulun arasına takın.

► **Şek.12:** 1. Boru uzatması 2. Aletin gövdesi 3. Nozul 4. Kılavuz çıkıntıları 5. Kilitleme yuvaları 6. Üçgen işaretleri

Ek parçaları çıkarmak için uç ek parçasını kulak ek parçasına/aletin gövdesine doğru ittirip o şekilde tutun ve ardından iki üçgen işareti birbirine bakana kadar saatin aksi yönünde çevirin. Kilidi açıldıktan sonra uç ek parçasını kulak ek parçasından/aletin gövdesinden

çekip ayırın.

Tank su beslemesine bağlama

ÖNEMLİ NOT: Su beslemek için her zaman bu aletle birlikte verilen basınç hortumunu ve süzgeci kullanın.

ÖNEMLİ NOT: Basınçlı yıkama makinasının girişi ile su yüzeyi arasında her zaman en fazla 2,0 m yükseklik farkını koruyun. Aksi takdirde basınçlı yıkama makinası suyu pompaya çekemez.

ÖNEMLİ NOT: Mutlaka bir su kabını alttan en az 25 mm dolu olacak şekilde doldurun ve süzgeci suya tümüyle batırın.

Her türlü boyutta bir tank/kap/su deposundan su beslenebilir.

Tanktan beslemeli sulama, suyun mevcut olmadığı ve yıkama alanına veya sahasına taşınması gerektiği araba yıkama ve bahçe işleri gibi basınçlı yıkama durumlarında kullanışlıdır.

1. Süzgeci basınç hortumunun bir ucuna takın.

Süzgeç çıkışı bağlantı manşonuna sokun ve süzgeç yerine oturana kadar içeri ittirin.

► **Şek.13:** 1. Süzgeç 2. Bağlantı manşonu 3. Basınç hortumu

2. Süzgeci su kabının alt kısmında bırakın.

► **Şek.14:** 1. Süzgeç 2. Basınç hortumu 3. Hortum kancası

NOT: Süzgeç hala kabin alt kısmında oturacak şekilde, verilen bir hortum kancasını kullanarak hortumu kabin ağzına asın.

3. Hortumun diğer ucunu basınçlı yıkama makinasındaki su hortumu rakoruna takın.

Bağlantı manşonunu rakorun girişine yerleştirin ve bağlantı manşonu yerine oturana dek içeri ittirin.

► **Şek.15:** 1. Bağlantı manşonu 2. Su hortumu rakoru

⚠DİKKAT: Yüksek basınç hortumunun sağlam bir şekilde bağlandığından emin olun. Gevşek bağlantı yüksek basınç hortumunu fırlatarak yaralanmaya neden olabilir.

ÖNEMLİ NOT: Yüksek basınç modunda belirli bir derinlikten su çekeceğiniz her durumda önceden basınçlı yıkama makinasına ve hortuma su çekin.

Şebeke su beslemesinin bağlanması

⚠DİKKAT: Su beslemek için her zaman bu aletle birlikte verilen basınç hortumunu kullanın.

ÖNEMLİ NOT: İçme suyu şebekesine bağlayacaksanız bölgenizdeki mevzuatı karşılayan bir geri akış engelleme vanası kullanın.

ÖNEMLİ NOT: İnce besleme için 0,5 MPa'dan daha az bir su girişi besleme basıncını koruyun. Alet çalışmayı durdurduğunda su sızıntılarına neden olabileceği için maksimum besleme basıncını aşmayın.

Yıkama alanında veya sahasında mevcut şebeke suyundan su beslenebilir.

Kesintisiz su beslemesi, tekrar su doldurmayı düşünmemeni sağlar ve nokta temizlik, durulama ve geniş çim veya sebze alanlarını sulama gibi verimli ev temizliği ve bahçe işleri yapmanızı sağlar.

1. Basınç hortumunu musluğa bağlayın.

Hortumun ucunu musluğa sabitlemek için musluk rakoru gibi uygun bir bağlantı parçası kullanın.

► **Şek.16:** 1. Musluk rakoru 2. Bağlantı manşonu 3. Basınç hortumu

NOT: Bağlantı parçasının tipi, bağlayacağınız musluğun şekline bağlıdır. Piyasadan alınan uygun bir bağlantı parçası hazırlayın.

2. Hortumun diğer ucunu basınçlı yıkama makinasındaki su hortumu rakoruna takın.

Bağlantı manşonunu rakorun girişine yerleştirin ve bağlantı manşonu yerine oturana dek içeri ittirin.

► **Şek.17:** 1. Bağlantı manşonu 2. Su hortumu rakoru

Köpük nozulunun takılması

İsteğe bağlı aksesuar

⚠DİKKAT: İsteğe bağlı ek parçaları takarken/çıkarırken mutlaka anahtar tetiği kilitleyin.

ÖNEMLİ NOT: Sadece nötr deterjanlar kullanın. Alete veya malınıza zarar verebilecek ev tipi deterjanlar, asitli deterjanlar, alkali deterjanlar, ağartıcılar, solventler, yanıcı maddeler veya endüstri sınıfı solüsyonlar kullanmayın. Temizlik solüsyonunu solüsyon şişesinin üzerinde belirtildiği gibi hazırlayın ve göze çarpmayan bir yerde mutlaka önceden test edin.

ÖNEMLİ NOT: Yüksek kıvamlı bir deterjan kullanırsa nozul tıkanabilir. Yüksek kıvamlı deterjan kullanırken kullanmadan önce şişeye su ekleyerek deterjanı seyreltin.

NOT: Köpük nozulunu kullanırken şişedeki deterjan, alet tarafından beslenen suyla seyreltilerek püskürtülür. Şişedeki deterjan konsantrasyonunu gerekenden daha fazla seyreltmeniz gerekmez. Kullanım şartlarını kontrol ederek deterjan konsantrasyonunu ayarlayın.

NOT: Köpük nozulu yan yatırılırsa deterjan dökülebilir.

Köpük nozulunu kullanmadan önce bir deterjan hazırlayın.

1. Tankı deterjanla doldurun. Nozulu tanka takın ve kapağı sıkıca kapatın.

2. Köpük nozulunu yatırıncaya kadar kılavuz çıkıntılarını aletin gövdesindeki kilitleme yuvaları ile hizalayın. Nozulu sonuna kadar içeri sokun ve bu şekilde tutun. Ardından kilidi devreye almak için köpük nozulunu şekilde gösterilen yönde çevirin.

► **Şek.18:** 1. Köpük nozulu 2. Tank 3. Kılavuz çıkıntı 4. Kilitleme yuvası

Nozulu taktıktan sonra yerinde sıkıca tutulduğundan emin olmak için geri çekmeye çalışın.

3. Deterjan solüsyonunun emme hacmini ayarlamak için deterjan düğmesini çevirin.

- **Şek.19:** 1. Deterjan düğmesi 2. Minimuma çevirin
3. Maksimuma çevirin

İsteğe bağlı nozulların takılması

İsteğe bağlı aksesuar

⚠DİKKAT: İsteğe bağlı ek parçaları takarken/
çıkartırken mutlaka anahtar tetiği kilitleyin.

İsteğe bağlı nozuldaki kılavuz çıkıntıları, aletin gövdesindeki kilitleme yuvaları ile hizalayın. Nozulu sonuna kadar içeri sokun ve bu şekilde tutun. Ardından kilidi devreye almak için nozulu şekilde gösterilen yönde çevirin.

Nozulu taktikten sonra yerinde sıkıca tutulduğundan emin olmak için geri çekmeye çalışın.

- **Şek.20:** 1. Nozullar 2. Kılavuz çıkıntı 3. Kilitleme yuvası

Nozulu çıkarmak için nozulu aletin gövdesine doğru ittirip o şekilde tutun ve ardından saatin aksi yönünde çevirerek kilidi açın. Kilidi açıldıktan sonra nozulu basınçlı yıkama makinasından çekip ayırın.

Plastik şişe adaptörünün takılması

İsteğe bağlı aksesuar

⚠DİKKAT: İsteğe bağlı ek parçaları takarken/
çıkartırken mutlaka anahtar tetiği kilitleyin.

⚠DİKKAT: Plastik şişe adaptörünü basınçlı yıkama makinasına ve plastik şişeye sıkıca taktığınızdan emin olun. Aksi takdirde şişenin düşmesine neden olarak yaralanmaya yol açabilir.

NOT: Bazı plastik şişe türleri takılamaz.

(Vida dış çapı 28 mm (1-1/8") olan plastik şişe kullanın.)

NOT: Su koymak için 2 litrelik (yarım galon) bir plastik şişe kullanılması tercih edilebilir.

1. Suyu bir plastik şişeye doldurun.
2. Emme borusunu şişenin ağzından sokun.
3. Bağlantı manşonunun somununu çevirerek adaptörü şişeye takın.
4. Plastik şişe adaptörünü basınçlı yıkama makinasındaki su hortumu rakoruna takın.

Bağlantı manşonunu rakorun girişine yerleştirin ve bağlantı manşonu yerine oturana dek içeri ittirin.

- **Şek.21:** 1. Plastik şişe adaptörü 2. Emme hortumu
3. Plastik şişe 4. Su hortumu rakoru

KULLANIM

⚠UYARI: Su jetine dokunmayın veya kendinize ya da başkalarına doğru doğrultmayın. Su jeti tehlikelidir ve size veya başkalarına zarar verebilir.

⚠UYARI: Su jetini kullanırken asla temizlediğiniz nesneyi tutmayın veya ellerinizi ve ayaklarınızı su jetinin yanına koymayın.

⚠DİKKAT: Basınçlı yıkama makinasını susuz 1 dakikadan daha uzun çalıştırmayın.

⚠DİKKAT: Basınçlı yıkama makinasını uzun süre çalıştırmayın. Aşırı ısınmaya veya yangına neden olabilir. Ayrıca uzun süreli kullanım titreşim hastalığına neden olabilir.

⚠DİKKAT: Rüzgarın yönüne dikkat edin.

Deterjan gözünüze veya ağınıza kaçarsa derhal temiz su ile yıkayın ve gerekirse doktora başvurun.

ÖNEMLİ NOT: Basınçlı yıkama makinasının mekanizmasını korumak için 40°C'den (104°F) daha sıcak su kullanmayın.

ÖNEMLİ NOT: Nehir suyu, gölet suyu ve kumlu veya çamurlu su gibi artırmamış su kaynağı kullanmayın. Filtrelenmemiş kirli su, pompanın içinde istenmeyen maddelerin birikmesine neden olarak arızaya yol açabilir.

Su çekme yüksekliği

Su kaynağından basınçlı yıkama makinasının su emme girişine olan dikey yükseklik 2,0 m dahilinde olmalıdır.

Havuzlanmış su derinliği

Bir su kabını alttan en az 25 mm dolu olacak şekilde doldurun.

- **Şek.22:** 1. Su çekme yüksekliği 2. Havuzlanmış su derinliği

Temel kullanım adımları

1. Su hortumu girişini su beslemesine takın.
 2. Su hortumu çıkışını basınçlı yıkama makinasına takın.
- **Şek.23**

3. Son kez kullanıldıktan sonra basınçlı yıkama makinasında kalan su boşaltıldıysa basınç hortumuna ve basınçlı yıkama makinasına su çekin.

İçlerindeki hava boşalana kadar hortum ve yıkama makinasından suyun akmasını sağlayın.

- (1) Nozulu basınçlı yıkama makinasından çıkarın.
- (2) Batarya kartuşunu basınçlı yıkama makinasına takın.
- (3) Yüksek basınç modunu seçin.
- (4) Anahtar tetiğinin kilidini açın.
- (5) Anahtar tetiği çekin ve basınçlı yıkama makinası istikrarlı bir su jeti üretene kadar çekili tutun.

- **Şek.24:** 1. Basınç modu anahtarı kolu

Basınçlı yıkama makinası ve hortumda sıkışan havanın boşalmasını sağladıktan sonra anahtar tetiği bırakın.

Batarya kartuşunu basınçlı yıkama makinasından çıkarın ve amacınıza uygun nozulu takın.

4. Kapağı açın ve batarya kartuşunu basınçlı yıkama makinasına takın, ardından kapağı kilitleyin.

- **Şek.25:** 1. Batarya kartuşu 2. Kapak

⚠DİKKAT: Batarya kapağını açıp kapatırken parmaklarınızı sıkıştırmamaya dikkat edin.

5. İsteddiğiniz basınç modunu seçin. Ardından anahtar tetiğinin kilidini açın.

- **Şek.26:** 1. Basınç modu anahtarı kolu 2. Anahtar tetik 3. Sabitleme düğmesi

6. Nozul başlığını sulama alanına veya sahasına doğru tutun. Anahtar tetiği çekin.

Tetik çekili olduğu sürece su jeti devam eder.

► **Şek.27**

► **Şek.28**

⚠DİKKAT: Basınçlı yıkama makinasını sıkıca tutun. Alet, anahtar tetiği çektiğinizde geri teper.

⚠DİKKAT: Su jeti püskürtürken basınçlı yıkama makinasını daima kabzasından ve namlusundan tutun.

Kullanım sonrası

⚠DİKKAT: Basınçlı yıkama makinasını kullandıktan sonra bu kılavuzda anlatılan prosedürü mutlaka uygulayın. Basınçlı yıkama makinasındaki artık basınç yaranalmaya veya içerideki pompanın hasar görmesine neden olabilir.

1. Anahtar tetiği bırakın ve sabitleme düğmesini kullanarak kilitleyin.

2. Su hortumunu su beslemesinden ayırın.

► **Şek.29**

3. Anahtar tetiğin kilidini açın ve basınçlı yıkama makinası ve hortumda kalan su boşalana kadar tetiği çekin.

► **Şek.30**

ÖNEMLİ NOT: Motoru 1 dakikadan daha uzun çalıştırmayın.

4. Anahtar tetiği bırakın ve sabitleme düğmesini kullanarak kilitleyin. Ardından bataryayı basınçlı yıkama makinasından çıkarın.

► **Şek.31:** 1. Sabitleme düğmesi 2. Batarya kartuşu

5. Basınç hortumunu, basınçlı yıkama makinasından ayırın.

► **Şek.32:** 1. Bağlantı manşonu 2. Su hortumu rakoru

ÖNEMLİ NOT: Basınç hortumunun zarar görmesini engellemek için depolamadan önce hortumda kalan suyu boşaltın.

BAKIM

⚠DİKKAT: Alet üzerinde kontrol veya bakım işlemlerine başlamadan önce mutlaka aletin kapalı ve batarya kartuşunun çıkarılmış olduğundan emin olun.

ÖNEMLİ NOT: Benzin, tiner, alkol ve benzeri maddeleri kesinlikle kullanmayın. Renk değişimi, deformasyon veya çatlaklar oluşabilir.

Aleti EMNİYETLİ ve ÇALIŞMAYA HAZIR durumda tutmak için onarımlar, başka her türlü bakım ve ayarlamalar daima Makita yedek parçaları kullanılarak Makita yetkili servis merkezleri veya Fabrikanın Servis Merkezleri tarafından yapılmalıdır.

Nozulların temizlenmesi

Nozul deliklerinden tıkanan kirleri çıkarmak için küçük bir eğe tipi çubuk olan temizleme iğnesini kullanın.

► **Şek.33:** 1. Temizleme iğnesi 2. Nozul

NOT: En uygun performansı korumak için nozulu düzenli olarak temizleyin.

ÖNEMLİ NOT: Kir veya pisliği zorla gidermeyin. Yaralanmaya veya sapmış jet açıkları ya da düşük performansla yol açacak şekilde püskürtme deliğinin hasar görmesine neden olabilir.

Filtrelerin temizlenmesi

Su hortumu rakorunu, basınçlı yıkama makinasından ayırın. Filtreye yapışmış olan toz veya kiri temizleyin.

► **Şek.34:** 1. Su hortumu rakoru 2. Filtre 3. Conta

Filtre mahfazasını çevirip açarak süzgeci çıkarın.

Filtreye yapışmış olan toz veya kiri temizleyin.

► **Şek.35:** 1. Filtre 2. Filtre mahfazası

NOT: En uygun performansı korumak için filtreyi düzenli olarak temizleyin.

SORUN GİDERME

Onarım için servise gitmeden önce kontrolleri yapın. Kılavuzda açıklanmayan bir problemle karşılaşırsanız aleti demonte etmeyin. Bunun yerine, Makita Yetkili Servis Merkezlerine başvurun ve daima orijinal Makita yedek parçaları kullanın.

Anormal durum	Olası nedeni (arıza)	Çözümü
Yıkama makinası çalışmıyor.	Elektrik yok	Şarjlı batarya kartuşunu takın.
	Anahtar tetik kilittir.	Anahtar tetiğin kilidini açın.
	Hasarlı batarya veya elektrik devresi	Onarım için yetkili servise başvurun.

Anormal durum	Olası nedeni (arıza)	Çözümü
Su jeti yok / zayıf su jeti	Su beslemesi yok	Musluğun açık olduğundan emin olun. Tank su beslemesine bağlıyorsanız basınçlı yıkama makinasına ve hortuma su çekin.
	Zayıf su beslemesi	Musluğu açın.
	Kötü su hortumu bağlantısı	Basınçlı yıkama makinası ile su beslemesi arasındaki bağlantıyı kontrol edin.
	Deforme olmuş veya aşınmış su hortumu	Hortumu düzeltin. Hasarlı su hortumunu yenisiyle değiştirin.
	Tıkalı hortum veya nozul	Hortum veya nozulu tıkanıklığını açın.
	Tıkalı filtreler	Süzgecin içindeki filtrele ve su hortumu rakoruna yapışan toz veya kiri temizleyin.
	Atık/kirli su	Su sistemini temizleyin ve temiz suyla doldurun.
	Hasarlı veya aşınmış nozul	Nozulu değiştirin.
	Pompa veya vana arızası	Onarım için yetkili servise başvurun.
	Gevşek su bağlantısı	Su hortumu ile bağlantı manşonları arasındaki bağlantıyı sağlamlaştırın.
	Su besleme bağlantısından kaçaklar	Su hortumu ile su beslemesi arasındaki bağlantıyı yeniden sıkın.
	Yetersiz şekilde takılmış süzgeç	Süzgeci suyun içine tümüyle daldırın.
Düşük basınç modu kullanılıyor	Yüksek basınç modunu seçin.	
Istikrarsız su jeti	Tıkalı nozul	Temizleme iğnesini kullanarak nozulu püskürtme deliğini açın.
	Zayıf su emmesi	Su hortumunu her türlü kaçak veya tıkanıklığa karşı kontrol edin.
	Su çok sıcak.	Daha soğuk su sağlayın.
	Vana arızası	Onarım için yetkili servise başvurun.
Anormal ses	Su çok sıcak.	Daha soğuk su sağlayın.
Su kaçağı	Kötü bağlantı	Basınçlı yıkama makinası ile su beslemesi arasındaki bağlantıyı kontrol edin.
	Hatalı takılan nozul	Nozulu sonuna kadar içeri ittirin. Ardından sıkıca kilitlene kadar nozulu çevirin.
	Nozul başlığı hatalı konumda kalıyor	Nozul başlığını, püskürtme deseni simgesi net bir şekilde görünür durumda tik sesi ile yerine kilitlenmiş bir konuma ayarlayın.
	Aşınmış contalar	Onarım için yetkili servise başvurun.

İSTEĞE BAĞLI AKSESUARLAR

⚠ DİKKAT: Bu aksesuarlar ve ek parçalar bu el kitabında belirtilen Makita aletiniz ile kullanılmak için tavsiye edilmektedir. Herhangi başka bir aksesuar ya da ek parça kullanılması insanlar için bir yaralanma riski getirebilir. Aksesuarları ya da ek parçaları yalnızca belirtilmiş olan kullanım amaçlarına uygun olarak kullanın.

Bu aksesuarlarla ilgili daha fazla bilgiye ihtiyaç duyarsanız bulunduğunuz yerdeki yetkili Makita servisine başvurun.

NOT: Listedeki parçaların bazıları alet paketi içerisinde standart aksesuar olarak dahil edilmiş olabilir. Bunlar ülkeden ülkeye farklılık gösterebilir.

Köpük nozulu

► Şek.36

Deterjan, köpük şeklinde püskürtülebilir.

Yıkama fırçası

► Şek.37

Fırça ile donatılmış bir nozul. Kiri fırça ile fırçalayarak gidermek için kullanışlıdır.

Köşeli nozul

► Şek.38

Köşeli nozul başlığı 360 derece dönebilir ve böylece manevra kabiliyeti ve hiçbir ölü aç olmaksızın kapsama sağlar.

Plastik şişe adaptörü

► Şek.39

Şişedeki suyu pompalayın ve plastik şişeden kolayca çıkarın. Bir su şişesi, su kaynağı işlevi görebilir.

警告

- 禁止兒童使用本器具。應監督兒童，確保他們不會將本器具當成玩具。
- 本器具不適用於身體、感官或智力缺陷者，或缺乏使用經驗與知識者（包括兒童），除非由負責這些人員安全的監護人監督或指導如何安全使用器具。
- 壓力水不得朝向人、通電設備或器具本身。
- 在工具上進行任何作業前，請務必關閉器具電源開關並取下電池組。
- 若器具重要零件受損，例如安全裝置、壓力軟管，請勿使用器具。
- 如需保養工作期間相關注意事項的詳細資料，請閱讀「保養」章節中的說明。
- 瞭解充電電池的正常溫度範圍。閱讀電池組的安全須知，以瞭解處理電池的注意事項。
- 如需器具安裝期間相關注意事項的詳細資料，請閱讀組裝章節中的說明。
- 瞭解最大入口水壓。如需供水管道連接的詳細資料，請閱讀規格章節中的說明。
- 務必使用器具隨附的軟管組。閱讀組裝章節中的說明，以瞭解供水管道連接的注意事項。
- 使用期間注水口不應開啟。依組裝章節中的說明維持水壓。
- 請勿在有水的游泳池中使用。
- 遵守當地自來水公司規定。
- 歐洲地區：
依據 EN12729 (BA)，若供水軟管內安裝具有排水功能的防止回流閥，則本器具亦可連接飲用水管道。

規格

型號：	DHW180	
最大水流速率 ^{*1} [供水箱／主供水器]	3.0 / 5.3 L/min	
水流速率 ^{*2}	高壓模式	2.5 L/min
	低壓模式	1.5 L/min
最大工作壓力	2.4 MPa	
工作壓力 ^{*2}	高壓模式 [供水箱／主供水器]	2.0 / 2.2 MPa
	低壓模式 [供水箱／主供水器]	0.8 / 0.8 MPa
最大給料壓力	0.5 MPa	
最大給料溫度	40° C	
最大抽吸高度	2.0 m	
額定電壓	D.C. 18 V	
尺寸 ^{*3} [長 x 寬 x 高]	888 mm x 99 mm x 239 mm	
重量	2.3 - 2.7kg	

*1：不含噴嘴

*2：噴灑模式 15°

*3：含 5 合 1 噴嘴與延伸管

- 生產者保留變更規格不另行通知之權利。
- 規格可能因銷往國家之不同而異。
- 重量可能有所不同，視附件（包含電池組）而定。表格顯示最輕及最重組合。

適用的電池組與充電器

電池組	BL1815N / BL1820B / BL1830B / BL1840B / BL1850B / BL1860B
充電器	DC18RC / DC18RD / DC18RE / DC18SD / DC18SE / DC18SF / DC18SH / DC18WC

- 上述某些電池組與充電器可能會因居住地區而無法使用。

⚠警告：務必使用上述的電池組與充電器。使用任何其他電池組與充電器可能會導致人員受傷和／或火災。

⚠警告：本機器請勿搭配腰掛式電池轉接座或背負式電池搭載器等有線電源使用。有線電源的纜線可能會阻礙操作，並導致人員受傷。

符號



特別小心和注意。

以下顯示本設備可能使用的符號。在使用工具前，請務必理解其涵義。



請仔細閱讀使用說明書。



僅用於歐盟國家

由於本設備中存有危險組件，廢棄電氣與電子設備、蓄電池與電池可能會對環境與人體健康產生負面影響。請勿將電氣與電子器具或電池和家庭廢棄物一同處理！根據針對廢棄電氣與電子設備、蓄電池與電池及廢棄蓄電池與電池制訂的歐洲指令及其對本國法律的修改版，應依照環境保護法規個別存放廢棄電氣設備、電池與蓄電池，並將其送至都市垃圾獨立回收點。這類設備會在設備上以打叉的滑輪垃圾桶作為符號標示。



請勿連接至飲用水龍頭。



請勿將噴槍朝向人，包括您自己、動物和通電的設備。

用途

此工具適用於透過噴射水柱清潔髒汙，供居家使用。工具可供選擇噴灑類型，能改善您的清洗及草坪和花園灑水效果。

安全警告

重要安全警告

警告：請仔細讀完下列安全警告以及安全事項。未按照以下列舉的警告和安全事項而使用或操作可能導致觸電、火災和/或嚴重傷害。

妥善保存所有的警告和安全事項說明以備將來參考。

警告 - 使用本產品時，請務必遵守下列基本安全注意事項：

工作場地安全

1. 確保操作區域無人。
2. 請勿延伸過長或站立在不平穩的支撐物上。使用時請雙腳站穩，隨時保持平衡。
3. 請務必將清洗機置於平穩的表面上。請

避開在噴水會流經或溢流的區域。

4. 在清潔之前，請確認周圍是否有多餘物品。噴射水流可擦除油漆或其他表面處理物，包括毒性化學物質。如有必要，請採取預防措施。
5. 請小心切勿被清洗機的軟管絆倒。操作期間，請務必注意軟管的配置。
6. 在使用期間，會有少量的水從清洗機底部流出。請注意，不要在您不想弄濕的區域操作工具。

人身安全

1. 保護噴射頭及物品，操作人員應穿戴適當的衣物，如安全靴、安全手套、含面罩的安全帽、耳朵防護裝備等。
2. 請穿戴個人安全裝備。根據應用情況，請使用防護面具、安全護鏡或護目鏡，保護眼睛防止各種操作所產生的飛濺碎片。
3. 除非人員皆穿戴防護裝備，否則請勿在有人的範圍內使用清洗機。
4. 若要減少受傷的風險，在兒童附近使用產品時，請務必確實執行監督。
5. 如果連接至飲用水系統，應對系統進行回流保護。
6. 經由防止回流設備流出的水，視為非飲用水。

電氣安全

1. 切勿用濕手觸摸電池組。
2. 若器具重要零件受損，例如安全裝置、壓力軟管，請勿使用器具。
3. 避免危險的環境。請勿在潮濕或淋雨環境中使用工具。若有水進入工具將增加觸電危險。

電動工具使用和注意事項

1. 使用產品前，請詳閱所有說明。
2. 瞭解如何停止清洗機及快速洩壓。請徹底熟悉控制方式。
3. 請勿噴灑易燃及/或毒性液體。否則會造成爆炸、中毒或器具損壞。
4. 請勿將噴射水流朝向您或他人，以清潔衣物或鞋子。
5. 壓力軟管、接頭和聯結器都是確保器具安全的重要零件。僅限使用製造商建議的軟管、接頭和聯結器。
6. 更換配件時，請遵循說明。
7. 把手務必保持乾燥、清潔，且不沾油脂。
8. 保持警覺 - 注意您現在的動作。
9. 請勿在疲倦或受酒精或藥物影響下操作

產品。

10. 請勿在沒水時，操作清洗機超過一分鐘。這會破壞馬達，而導致故障。
11. 請務必在不使用清洗機時，關閉電源並關閉供水管道。
12. 請小心反作用力。壓力噴射水流從噴嘴噴出時，器具會反彈。請緊握器具，以防止意外受傷。
13. 先檢查零件是否受損或磨損後再使用。另請確定軟管是否正確連接，且在操作期間未出現洩漏情形。操作功能故障的器具可能會發生意外。
14. 請勿拉扯軟管移動清洗機本體。這會破壞軟管及連接零件，並導致短路或功能故障。
15. 請勿在軟管上擺放重物或讓車輛碾壓。
16. 請務必先洩放器具中的殘留壓力，再中斷連接軟管。
17. 連接軟管至供水管道時，請遵守您當地水利工程部門或水公司的指示。
18. 如果清洗機摔落或撞到堅硬物體，務必檢查是否損壞及破裂。使用受損的清洗機可能會造成冒煙、起火或引起觸電，而導致人員受傷。
19. 避免意外起動。在接上電池組及拿起或搬運器具之前，請先確保開關位於關閉位置。搬運器具時手指放在開關上，或在開關處於開啟位置時將器具通電，皆可能會引發事故。
20. 在進行任何調整、更換配件或存放器具之前，請將電池組從器具上取下。此類防護性安全措施會降低器具意外起動的風險。
21. 除使用及注意事項說明指示外，請勿改裝或嘗試維修器具或電池組。
22. 警告 – 有噴射或受傷的風險 – 請勿將排放水流朝向人。
23. 確定要清潔的物體或區域能夠承受灑水。否則可能會造成物品或場所損壞，而導致人員受傷。

用電池驅動的電動工具的使用和注意事項

1. 僅使用製造商指定的充電器進行充電。使用適用於某一類型電池組的充電器給其他電池組充電可能會引起火災。
2. 僅使用專門設計的電池組給電動工具供電。使用任何其他電池組可能會造成人身傷害及火災。
3. 不使用電池組時請將其遠離紙夾、硬幣、鑰匙、釘子、螺絲或其他小型金屬物體放置。這些物體可能會使電池端子

短路。短接電池端子可能會引起燃燒或起火。

4. 使用過度時，電池中可能溢出液體；請避免接觸。如果意外接觸到電池漏液，請用水沖洗。如果液體接觸到眼睛，請就醫。電池漏液可能會導致過敏發炎或灼傷。
5. 請勿使用損壞或經修改過的電池組或工具。損壞或經修改過的電池可能會出現無法預料的運作情形，而引發火災、爆炸或人員受傷風險。
6. 請勿將電池組或工具暴露於火源或高溫環境。暴露於火源或 130 °C 以上的高溫可能會發生爆炸。
7. 請遵守所有充電說明，並勿於說明中指定之溫度範圍外進行電池組或工具充電。以錯誤的方式或於指定之溫度範圍外進行充電，可能會損壞電池，並增加火災風險。

維修

1. 遵守手冊中指定的保養說明。
2. 為確保器具安全，僅限使用原廠或經製造商認可的備用零件。
3. 請將清洗機送交專業維修人員修理，且必須使用相同的備件進行更換。這樣將確保所維修的清洗機的安全性。
4. 如清洗機發生破損或故障，請立即關閉電源並取下電池組。請聯絡當地經銷商或維修中心。

附加安全警告

1. 請勿在有雷擊的風險下，使用本工具。
2. 在泥濘地面、潮濕斜坡或濕滑地點使用本工具時，請格外注意立足點。
3. 避免在預期會增加使用者疲勞的不良環境中作業。
4. 請勿在雨中更換電池。
5. 請勿將本工具浸泡在水坑中。
6. 存放機器時，請避免直接暴露於陽光及雨水，並存放在不會過熱或潮濕的場所。
7. 使用本工具後，請清除附著的泥土，並待其徹底乾燥後再進行存放。視季節或地區而定，可能有因結冰而發生故障的風險。
8. 請勿使水等液體弄濕電池端子，或將電池浸泡在液體中。請勿將電池置於雨中，或在潮濕的環境充電、使用或存放電池。若電池端子潮濕或液體滲入電池內部，電池可能會短路並發生過熱、起火或爆炸危險。

9. 取出工具或充電器中的電池後，請確定裝上電池蓋並存放在乾燥的場所。
10. 請勿用濕手更換電池。
11. 如果器具因天氣寒冷而凍結，請聯絡授權服務中心進行維修。
12. 本器具請勿搭配腰掛式電池轉接座或背負式電池搭載器等有線電源使用。此類有線電源的纜線可能會阻礙操作，並導致人員受傷。

妥善保存這些手冊。

警告： 請勿為圖方便或因對產品足夠熟悉（因重複的使用）而不嚴格遵循產品的安全規則。

使用不當或不遵循本說明書中的安全規則會導致嚴重的人身傷害。

電池組的重要安全須知

1. 使用電池組之前，請閱讀（1）充電器、（2）電池和（3）使用電池的產品上的所有指示說明和注意標識。
2. 請勿拆解或改裝電池組。以免引發火災、過熱或爆炸。
3. 如果工具運行時間極短，請立即停止使用。否則可能會導致過熱、起火甚至爆炸。
4. 如果電解液進入眼睛，請立即用清水沖洗並就醫。這種情況可能會導致失明。
5. 請勿短接電池組：
 - (1) 請勿用任何導電材料觸碰電池端子。
 - (2) 避免將電池組與釘子、硬幣等金屬物品存放在同一容器中。
 - (3) 請勿將電池組置於水中或使其淋雨。

電池短路會產生較大的電流、導致過熱並可能引起起火甚至擊穿。

6. 請勿在溫度可能達到或超過 50°C 的場所存放或使用工具和電池組。
7. 請勿焚燒電池組，即使其已嚴重損壞或徹底磨損。電池組會在火中爆炸。
8. 請勿釘牢、切割、輾壓、丟擲、摔落電池組，或使電池組撞擊硬物。這類行為可能會引發火災、過熱或爆炸。
9. 請勿使用損壞的電池。
10. 本工具附帶的鋰離子電池需符合危險品法規要求。
第三方或轉運代理在進行商業運輸時，應遵循包裝和標識方面的特殊要求。

有關運輸項目的準備作業，諮詢危險品方面的專業人士。同時，請遵守可能更詳盡的國家法規。

請使用膠帶保護且勿遮掩表面的聯絡資訊，並牢固封裝電池，使電池在包裝內不可動。

11. 廢棄電池須移出工具並安全地棄置。關於如何處理廢棄的電池，請遵循當地法規。
12. 電池僅可用於 **Makita**（牧田）規定產品。將電池裝入非相容產品中可能會導致起火、過熱、爆炸或電解液滲漏情形。
13. 若工具長期間不使用，電池須從工具移出。
14. 使用期間和之後，電池組可能會發燙，因而造成燙傷或低溫灼傷。處理發燙的電池組時，請多加小心。
15. 使用後請勿立即觸碰工具的端子，因為端子溫度極高，足以造成燙傷。
16. 請勿讓碎屑或塵土卡在電池組的端子、孔洞和溝槽。否則可能會造成工具或電池組過熱、起火、爆炸及故障，導致燙傷或人員受傷。
17. 除非工具支援在高電壓電氣線路附近使用，否則請勿在高電壓電氣線路附近使用電池組。以免造成工具或電池組失常或故障。
18. 將電池置於孩童無法觸及之處。

妥善保存這些手冊。

小心： 請僅使用原裝 **Makita**（牧田）電池。使用非原裝 **Makita**（牧田）電池或經過改裝的電池可能會導致電池爆炸，從而造成火災、人身傷害或物品受損。同時也會導致牧田工具和充電器的牧田保修服務失效。

保持電池最大使用壽命的提示

1. 要在電池組完全放電前對其充電。當發現工具動力不足時，一定要停止使用工具並對電池組進行充電。
2. 切勿對已經充滿的電池組再次充電。過度充電會縮短電池的使用壽命。
3. 要在室溫為 10 °C – 40 °C 的條件下對電池組充電。請在充電前使處於發熱狀態的電池組冷卻。
4. 不使用電池組時，請將其從工具或充電器取下。
5. 如果電池組長時間（超過六個月）未使

用，請給其充電。

功能描述

⚠️ 小心：調節或檢查工具功能之前，請務必關閉工具電源開關並取下電池組。

安裝或拆卸電池組

⚠️ 小心：安裝或拆卸電池組前，請務必關閉工具電源。

⚠️ 小心：安裝或拆卸電池組時請握緊工具和電池組。未握緊工具和電池組可能會導致它們從您的手中滑落，損壞工具和電池組，造成人身傷害。

⚠️ 小心：開啟或關閉電池蓋時，請小心不要夾傷手指。

在推動鎖定桿的同時開啟護蓋。

▶ **圖片1:** 1. 外蓋 2. 鎖定桿

將電池組上的舌片對準外殼上的槽溝並滑入。將其插到底，直到聽見喀嗒聲鎖入定位為止。如果您能看見圖中所示的紅色指示器，則表示尚未完全鎖定。

▶ **圖片2:** 1. 紅色指示器 2. 按鈕 3. 電池組安裝或取下電池組後，務必關上外蓋。

若要取下電池組，請打開護蓋、從工具滑出電池組同時按壓前方的按鈕，然後關上護蓋。

⚠️ 小心：務必將電池組完全插入，直至看不見紅色指示器為止。否則其可能會意外從工具中脫落出來從而造成自身或他人受傷。

⚠️ 小心：請勿過度用力安裝電池組。如果電池組滑動不平滑，可能是插入不當。

⚠️ 小心：開始操作前，務必鎖上外蓋。

工具／電池組保護系統

本工具配備工具／電池保護系統。此系統可自動切斷馬達電源，延長工具和電池使用壽命。若本工具或電池出現下列任一情況，工具將自動停止運轉並顯示指示：

▶ **圖片3:** 1. 指示燈

過載保護

以導致電流異常增高的情形下操作工具或電池時，工具會自動停止且紅色指示器會亮

起。在此情況下，請關閉工具電源並停止會導致工具過載的操作方式。之後再開啟工具電源，重新啟動工具。

過熱保護

工具或電池過熱時，工具會自動停止運轉，且紅色指示器會亮起。在此情況下，請待工具冷卻後，再重新開啟工具電源。

過放電保護

電池電量變低時，紅色指示器會閃爍。電池快要沒電時，工具會自動停止運轉且紅色指示器會亮起。此時，請取出工具中的電池並進行充電。

其他原因保護

保護系統也設計用於防止可能損壞工具的其他原因，並可讓工具自動停止運轉。當工具暫時停止或停止運作時，請執行所有下列步驟以解決原因。

1. 關閉工具電源並重新開啟，以重新啟動。
2. 對電池進行充電，或更換為已充電的電池。
3. 等待工具和電池冷卻。

如果恢復保護系統運作後，情況沒有任何改善，請洽詢當地 **Makita**（牧田）維修服務中心。

注意：如果工具因非上述原因而停止，請參閱故障排除章節。









顯示電池的剩餘電量

僅適用於帶指示燈的電池組

按下電池組上的檢查按鈕顯示剩餘電池電量。指示燈將亮起數秒。

▶ **圖片4:** 1. 指示燈 2. 檢查按鈕

指示燈			剩餘電量
亮起	關閉	閃爍	
■	□	▨	75%至100%
■ ■ ■ ■	□		50%至75%
■ ■ □ □	□		25%至50%
■ □ □ □	□		0%至25%

指示燈			剩餘電量
亮起	關閉	閃爍	
			請對電池進行充電。
			
			電池可能存在故障。
			

注：根據使用條件和環境溫度，指示電量可能於實際電量有稍許不同。

注：電池保護系統運作時，第一個（最左側）指示燈將閃爍。

壓力模式開關

將開關桿前後滑動，選擇所需的壓力模式。將桿往後拉為低壓模式，開關上顯示數字符號「1」。

將桿往前推為高壓模式，開關上顯示數字符號「2」。

► 圖片5: 1. 低壓模式 (1) 2. 高壓模式 (2) 3. 壓力模式開關桿

開關扳機

清洗機的扳機有配置安全鎖。若要釋放扳機鎖，請將鎖定按鈕壓入扳機，使扳機表面變平。

扣動開關扳機噴射水柱。只要緊壓扳機將一直噴射水柱。

► 圖片6: 1. 開關扳機 2. 鎖定按鈕

將鎖定按鈕從扳機內推出可接合扳機鎖。不使用清洗機時，務必鎖定扳機。

► 圖片7: 1. 開關扳機 2. 鎖定按鈕

噴嘴功能

多模式（5合1）噴嘴提供多種噴灑模式，可視您的清洗需求調整。單一噴嘴整合了五種最常使用的噴灑模式，無須再更換噴嘴，只需根據您的工作切換適合的噴灑模式即可。

輕鬆切換噴嘴，0°、15°、25°、40°及淋浴

► 圖片8

► 圖片9: 1. 噴灑模式符號 2. 三角形標誌

將噴嘴頭往左或往右轉到所需的噴灑模式位

置。將要選擇使用的噴灑模式符號與三角形標誌對齊，使噴嘴頭發出喀嗒聲鎖入定位。

► 圖片10

注意：小心不要將噴嘴頭切換到未卡入的位置。否則工具可能出現不規律的噴灑模式，而導致漏水。

小心：變更噴灑模式時，盡量不要同時轉動噴嘴本體。噴嘴可能會脫離工具機身並造成人員受傷。

安全閥

本工具配備安全閥，可防止不正常的過大壓力。

小心：請勿竄改或調整安全閥設定。

裝配

小心：在對工具進行任何裝配操作之前，請務必關閉工具電源開關並取下電池組。

安裝噴嘴和延伸管

小心：安裝/拆卸噴嘴和延伸管時，務必鎖定開關扳機。

噴嘴

將噴嘴末端的導板突出部分對齊工具外殼的鎖定槽。將噴嘴推入到底，直到噴嘴和外殼上的兩個三角形標誌彼此相對。然後依圖示方向轉動噴嘴接合鎖扣。

安裝噴嘴後，試圖將其拉回，確保其可確實固定於定位。

► 圖片11: 1. 噴嘴 2. 導板突出部分 3. 鎖定槽 4. 三角形標誌 5. 腹鰭狀輪廓

注：確定將腹鰭狀輪廓朝下。

若要拆開噴嘴，請將噴嘴朝向工具外殼推動並按住，然後逆時針轉動，直到兩個三角形標誌彼此相對。解鎖後，請將噴嘴拉出工具外殼。

延伸管

在任何難以接觸的區域灑水。依照噴嘴安裝所述的相同步驟，在工具外殼與噴嘴之間安裝延伸管。

► 圖片12: 1. 延伸管 2. 工具外殼 3. 噴嘴 4. 導板突出部分 5. 鎖定槽 6. 三

角形標誌

若要拆開附件，請將尖端附件朝向安裝附件／外殼推動並按住，然後逆時針轉動，直到兩個三角形標誌彼此相對。解鎖後，請將尖端附件拉出安裝附件／外殼。

連接供水箱

注意：務必使用本工具隨附的壓力軟管和過濾器供水。

注意：清洗機入口與水面之間的高度務必維持在 **2.0 m** 以下。否則清洗機將無法讓水進入泵浦。

注意：請確保水容器的水位距離底部至少 **25 mm** 以上，並將過濾器完全浸入水中。

可從任何尺寸的水箱／容器／水槽供水。供水箱用於解決像是洗車、園藝澆灌等壓力清洗情況，這些情況下用水不便，需要將水運送到清洗區域或現場。

1. 將過濾器安裝至壓力軟管的一端。

將過濾器出口插入連接套筒並穿過，直到過濾器卡入定位。

► **圖片13:** 1. 過濾器 2. 連接套筒 3. 壓力軟管

2. 將過濾器保持在水容器的底部。

► **圖片14:** 1. 過濾器 2. 壓力軟管 3. 軟管掛鉤

注：使用隨附的軟管掛鉤將軟管掛在開口，使過濾器保持在容器的底部。

3. 將軟管的另一端裝到清洗機上的水管接頭。

將連接套筒置於接頭入口上並穿過，直到連接套筒卡入定位。

► **圖片15:** 1. 連接套筒 2. 水管接頭

小心：確定高壓軟管已確實連接。鬆脫的連線可能會噴出高壓軟管，導致人員受傷。

注意：每當您準備在高壓模式下從一定深度提水時，請事先將水導入清洗機和軟管。

連接主供水器

小心：務必使用本工具隨附的壓力軟管供水。

注意：若您連接至飲用水管道，請使用符合您所在地區規範的防止回流閥。

注意：將入口的進水壓力保持在低於 **0.5 MPa**，確保精確給水。不可超過最大給水壓力，否則工具停止運作時可能導致漏水。

可從可用於清洗區域或現場的供水管道供水。

持續供水讓您不必擔心補水，並可實現高效的家居清潔和園藝澆灌，例如局部清潔、沖洗以及在廣闊的草坪或植被上灑水。

1. 將壓力軟管連接至水龍頭。

套用適當的接頭，如水龍頭接頭，以固定軟管末端與水龍頭。

► **圖片16:** 1. 水龍頭接頭 2. 連接套筒 3. 壓力軟管

注：接頭類型視您連接水龍頭的形狀而定。備妥適用的市售接頭。

2. 將軟管的另一端裝到清洗機上的水管接頭。

將連接套筒置於接頭入口上並穿過，直到連接套筒卡入定位。

► **圖片17:** 1. 連接套筒 2. 水管接頭

安裝泡沫噴嘴

選購配件

小心：安裝／拆卸選購附件時，務必鎖定開關扳機。

注意：務必使用中性清潔劑。請勿使用家庭清潔劑、酸性清潔劑、鹼性清潔劑、漂白水、溶劑、可燃性物質或工業級溶液，這類物質可能會損壞工具或您的財產。依照溶液瓶上的指示準備清潔溶液，且務必事先在不顯眼的地方進行測試。

注意：若使用高黏度清潔劑，噴嘴很可能會堵塞。使用高黏度清潔劑時，應在使用前加水至瓶中稀釋清潔劑。

注：使用泡沫噴嘴時，瓶中的清潔劑會利用工具提供的水稀釋後再噴出。您不必將瓶中清潔劑的濃度過度稀釋。確認使用狀況，同時調整清潔劑濃度。

注：若泡沫噴嘴的側邊傾斜，清潔劑可能會溢出。

使用泡沫噴嘴前，請先備妥清潔劑。

1. 請以清潔劑充填儲液箱。將噴嘴裝到儲

液箱並確實鎖緊蓋子。

2. 傾斜泡沫噴嘴，將其導板突出部分對齊工具外殼中的鎖定槽。將噴嘴推入到底並固定於定位。然後依圖示方向轉動泡沫噴嘴接合鎖扣。

► **圖片18:** 1. 泡沫噴嘴 2. 集塵槽 3. 導板突出部分 4. 鎖定槽

安裝噴嘴後，試圖將其拉回，確保其可確實固定於定位。

3. 轉動清潔劑旋鈕，調整清潔劑溶液的吸入量。

► **圖片19:** 1. 清潔劑旋鈕 2. 轉到最小 3. 轉到最大

安裝選購噴嘴

選購配件

⚠️小心：安裝／拆卸選購附件時，務必鎖定開關扳機。

將選購噴嘴上的導板突出部分對齊工具外殼的鎖定槽。將噴嘴推入到底並固定於定位。然後依圖示方向轉動噴嘴接合鎖扣。安裝噴嘴後，試圖將其拉回，確保其可確實固定於定位。

► **圖片20:** 1. 噴嘴 2. 導板突出部分 3. 鎖定槽

若要拆開噴嘴，請將噴嘴朝向工具外殼推動並按住，然後逆時針轉動解開鎖扣。解鎖後，請將噴嘴拉出清洗機。

安裝塑膠瓶轉接頭

選購配件

⚠️小心：安裝／拆卸選購附件時，務必鎖定開關扳機。

⚠️小心：務必將塑膠瓶轉接頭確實安裝至清洗機和塑膠瓶。否則可能會造成瓶蓋掉落，而造成人員受傷。

注：部分類型的塑膠瓶無法安裝。
(請使用螺絲外徑為 28 mm (1-1/8") 的塑膠瓶。)

注：建議使用 2 公升 (0.5 加侖) 的塑膠瓶盛裝水。

1. 將水注入塑膠瓶內。
2. 將吸管從瓶口放入瓶中。
3. 鎖上連接套筒的螺帽，將轉接頭裝到塑膠瓶上。

4. 將塑膠瓶轉接頭裝到清洗機上的水管接頭。

將連接套筒置於接頭入口上並穿過，直到連接套筒卡入定位。

► **圖片21:** 1. 塑膠瓶轉接頭 2. 吸管 3. 塑膠瓶 4. 水管接頭

操作

⚠️警告：請勿觸碰噴頭，或直接朝您或他人的方向噴灑。噴頭十分危險，並會造成您或他人受傷。

⚠️警告：噴水時，切勿抓住您正在清潔的物品，或靠近您的雙手和雙腳。

⚠️小心：請勿在沒水時，操作清洗機超過 1 分鐘。

⚠️小心：請勿長時間操作清洗機。這可能會造成機器過熱或起火。此外，長時間使用會造成震動失調。

⚠️小心：請注意風向。若清潔劑進入您的眼中或口中，請立即用清水沖洗並視需要就醫。

注意：若要保護清洗機的機械裝置，請勿使用水溫超過 40° C (104° F) 的水。

注意：請勿使用未經處理的水源，如河水、池塘水以及含有沙子或泥土的水。未經過濾的髒水可能會在泵浦內沉積不必要的物質而造成故障。

提水高度

從水源到清洗機吸水入口的垂直高度需在 2.0 m 以內。

集水深度

水容器的水位距離底部至少 25 mm 以上。

► **圖片22:** 1. 提水高度 2. 集水深度

基本操作的步驟

1. 將水管入口連接至供水系統。
2. 將水管出口連接至清洗機。

► **圖片23**

3. 如果自上次使用之後清洗機中剩餘的水已經排出，請將水導入壓力軟管和清洗機。讓水通過軟管和清洗機，直到釋放任何空氣。

- (1) 將噴嘴從清洗機拆下。
- (2) 將電池組安裝至清洗機。

- (3) 選擇高壓模式。
- (4) 解鎖開關扳機。
- (5) 扣住開關扳機，直到清洗機產生穩定水柱。

► **圖片24:** 1. 壓力模式開關桿

排出清洗機和軟管中的空氣後，鬆開開關扳機。

從清洗機取出電池組，並根據用途安裝適合的噴嘴。

4. 打開外蓋並將電池組安裝至清洗機，然後鎖上外蓋。

► **圖片25:** 1. 電池組 2. 外蓋

⚠️小心： 開啟或關閉電池蓋時，請小心不要夾傷手指。

5. 選擇所需的壓力模式。接著解鎖開關扳機。

► **圖片26:** 1. 壓力模式開關桿 2. 開關扳機 3. 鎖定按鈕

6. 將噴嘴頭指向清洗區域或現場。按壓開關扳機。

只要緊壓扳機將一直噴射水柱。

► **圖片27**

► **圖片28**

⚠️小心： 緊握清洗機。工具會在扣動開關扳機時反彈。

⚠️小心： 請務必在噴水時，緊握清洗機握把與圓筒。

使用後

⚠️小心： 在操作清洗機後，請務必執行本手冊中說明的程序。清洗機中的殘留壓力會造成人員受傷或內部泵浦受損。

1. 釋放開關扳機並使用鎖定按鈕將其鎖定。
2. 從供水系統拆開水管。
► **圖片29**
3. 解鎖開關扳機並按壓，直到清洗機和軟管中剩餘的水排出為止。
► **圖片30**

注意： 請勿在沒水時，運轉馬達超過 1 分鐘。

4. 釋放開關扳機並使用鎖定按鈕將其鎖定。然後將電池從清洗機拆下。

► **圖片31:** 1. 鎖定按鈕 2. 電池組

5. 中斷連接清洗機的壓力軟管。

► **圖片32:** 1. 連接套筒 2. 水管接頭

注意： 若要防止壓力軟管受損，請先清除軟管中的殘餘水分再存放。

保養

⚠️小心： 檢查或保養工具之前，請務必關閉工具電源開關並拆下電池組。

注意： 切勿使用汽油、苯、稀釋劑、酒精或類似物品清潔工具。否則可能會導致工具變色、變形或出現裂縫。

為了保證產品的安全與可靠性，任何維修或其他維修保養工作需由Makita（牧田）授權的或工廠維修服務中心來進行。務必使用Makita（牧田）的更換部件。

清潔噴嘴

使用清潔銷，一種小型的銼刀型手指工具，清除噴嘴開口堵塞的髒汙。

► **圖片33:** 1. 清潔銷 2. 噴嘴

注： 若要維持最佳性能，請定期清潔噴嘴。

注意： 請勿用力清除污垢或碎屑。這會導致人員受傷或噴孔受損，造成噴射角度偏移或性能下降。

清潔濾清器

拆開清洗機的水管接頭。清除附著在濾清器上的灰塵或髒汙。

► **圖片34:** 1. 水管接頭 2. 濾網 3. 密封環

旋開濾清器外殼，拆開過濾器。清除附著在濾清器上的灰塵或髒汙。

► **圖片35:** 1. 濾網 2. 濾清器外殼

注： 若要維持最佳性能，請定期清潔濾網。

故障排除

請求維修之前先自行檢查。如果您發現本手冊中未作說明的問題，請勿拆解工具。應詢問 Makita（牧田）授權的維修服務中心。務必使用 Makita（牧田）的更換部件進行維修。

異常狀態	可能原因（故障）	糾正措施
清洗機無法啟動。	沒電	安裝充滿電的電池組。
	開關扳機鎖定。	解鎖開關扳機。
	電池或電路受損	請聯絡授權維修服務中心進行維修。
沒有噴水 / 噴水力道微弱	無供水	確定水龍頭打開。如果連接供水箱，請將水導入清洗機和軟管。
	供水情形不良	請打開水龍頭。
	水管連線不良	檢查清洗機與供水系統之間的連接。
	水管變形或磨損	拉直軟管。將受損的水管換新。
	軟管或噴嘴阻塞	清除軟管或噴嘴阻塞。
	濾清器阻塞	清除附著在過濾器和水管接頭的濾清器中的灰塵或髒汙。
	廢水 / 汙水	清潔供水系統並添加乾淨的水。
	噴嘴受損或磨損	更換噴嘴。
	泵浦或閥故障	請聯絡授權維修服務中心進行維修。
	水接頭鬆動	固定水管與連接套筒之間的連接。
	供水系統連接漏水	重新鎖緊水管與供水系統之間的連接。
	過濾器安裝不當	將過濾器完全浸入水中。
	使用低壓模式	選擇高壓模式。
噴水不穩定	噴嘴阻塞	使用清潔銷清除噴嘴噴出孔中的阻塞物。
	抽水情形不佳	檢查水管是否有任何漏水或阻塞情形。
	水溫過高。	請降低水溫。
	閥故障	請聯絡授權維修服務中心進行維修。
有異音	水溫過高。	請降低水溫。
漏水	連線不佳	檢查清洗機與供水系統之間的連接。
	噴嘴安裝不良	將噴嘴推入到底。然後轉動噴嘴直到確實鎖定為止。
	噴嘴頭的位置錯誤	將噴嘴頭切換到卡入位置，並確保能清楚看見噴灑模式符號。
	密封磨損	請聯絡授權維修服務中心進行維修。

選購附件

⚠️小心： 這些附件或裝置建議使用於本說明書所指定的**Makita**（牧田）工具。如使用其他廠牌附件或裝置，可能導致傷人的危險。僅可將選購附件或裝置用於規定目的。

如您需要瞭解更多關於這些選購附件的信息，請諮詢當地的**Makita**（牧田）維修服務中心。

注： 本列表中的一些部件可能作為標準配件包含於工具包裝內。規格可能因銷往國家之不同而異。

泡沫噴嘴

► 圖片36

可將清潔劑當成泡沫噴灑。

清洗刷

► 圖片37

配備有刷子的噴嘴。適合用於清洗污垢，同時透過刷子刷洗。

彎曲噴嘴

► 圖片38

彎曲噴嘴頭可旋轉 360 度，提升了操作性與涵蓋範圍，而且不具任何死角。

塑膠瓶轉接頭

► 圖片39

汲取瓶裝水，且可輕鬆將其從塑膠瓶中抽出。水瓶可當作水源。

Makita Europe N.V.

Jan-Baptist Vinkstraat 2, 3070 Kortenberg, Belgium

Makita Corporation

3-11-8, Sumiyoshi-cho, Anjo, Aichi 446-8502 Japan

www.makita.com



DHW180-EU9-
HK(CE)-2412
EN, FR, DE, IT, NL,
ES, PT, EL, TR,
ZHTW
20250117