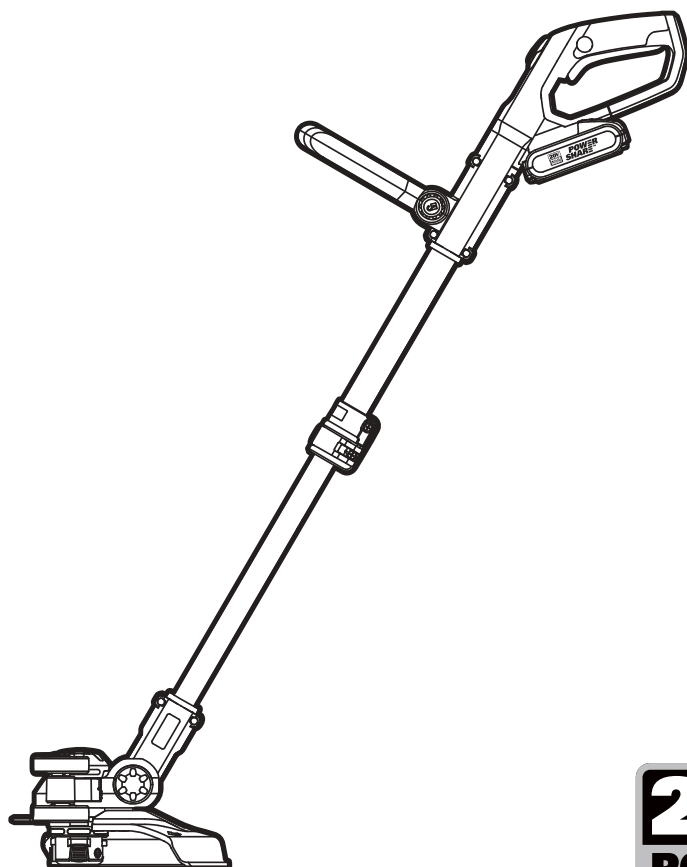


WORX®



2-in-1 Grass Trimmer/Edger

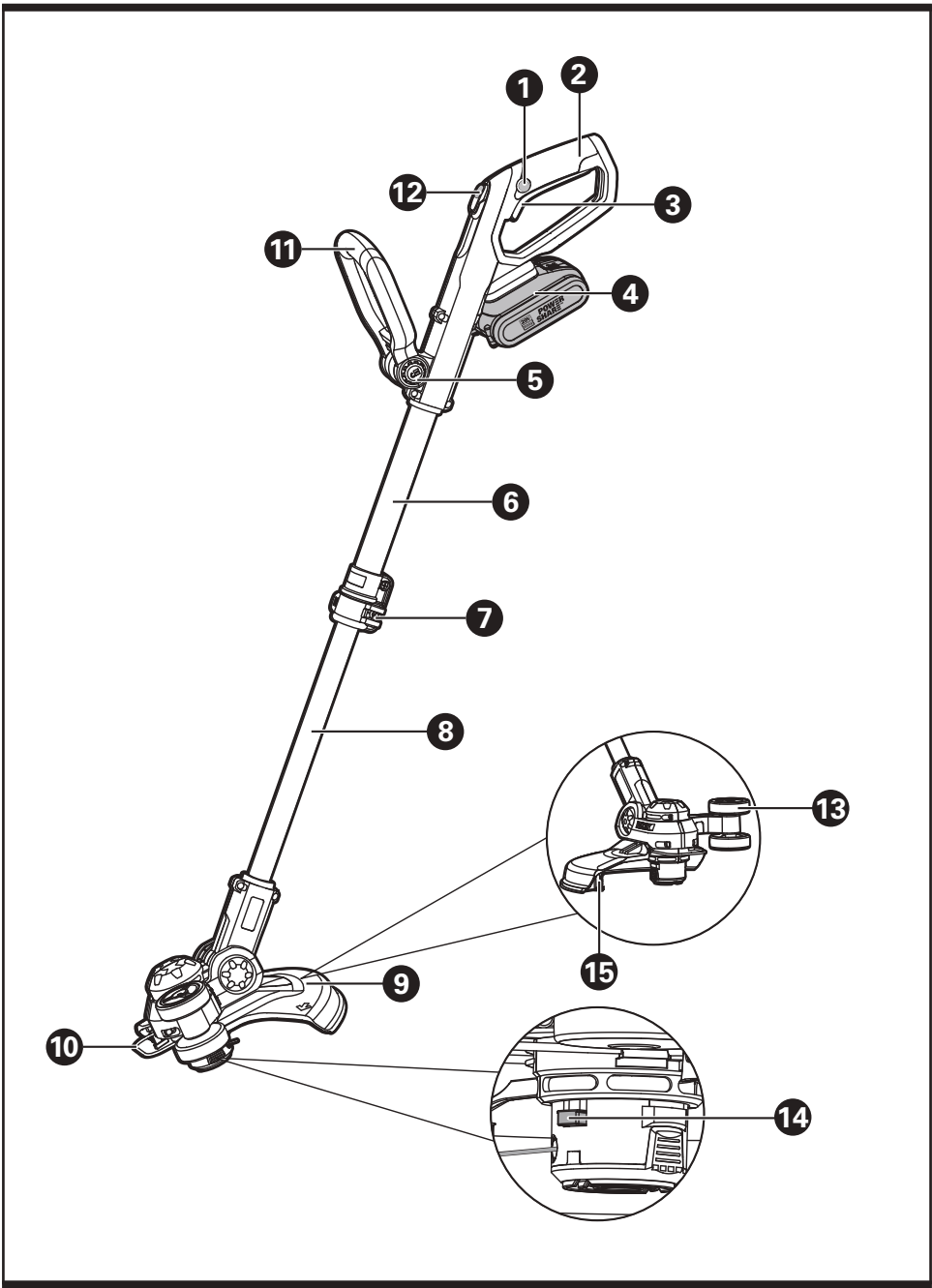
EN P09

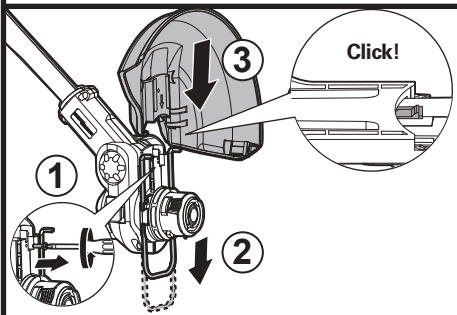
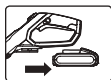
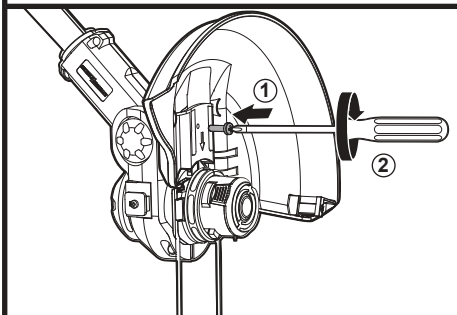
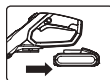
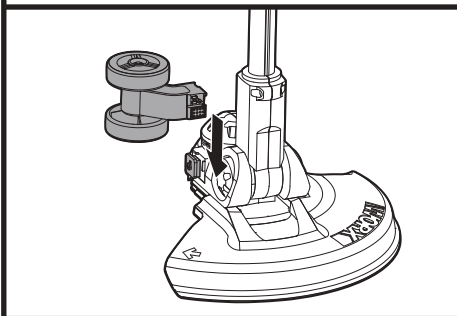
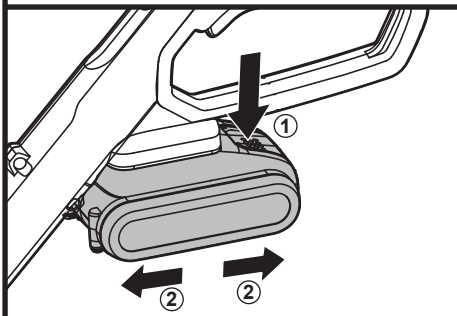
2-в-1 Триммер

RU P18

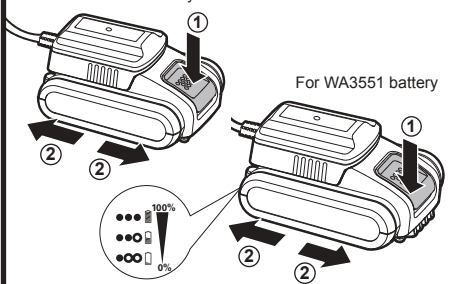
WG163E WG163E.1 WG163E.9





A1**A2****B****C****D1**

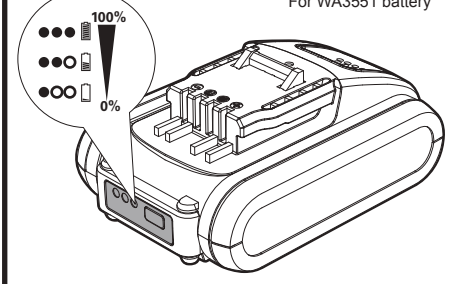
For WA3551.1 battery

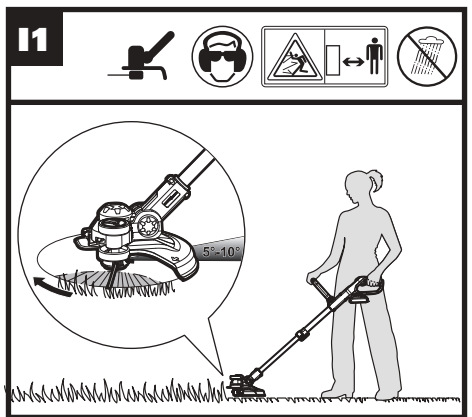
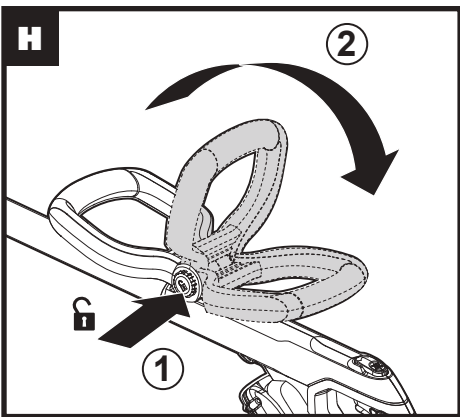
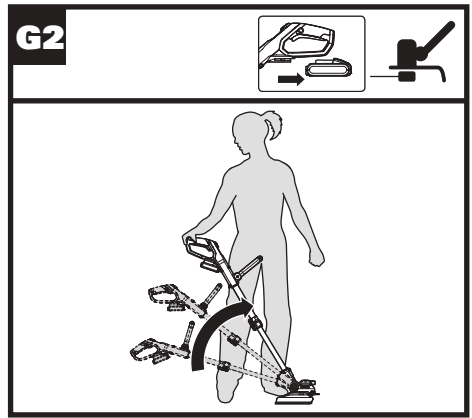
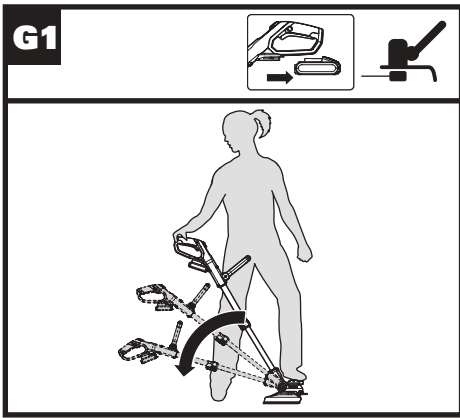
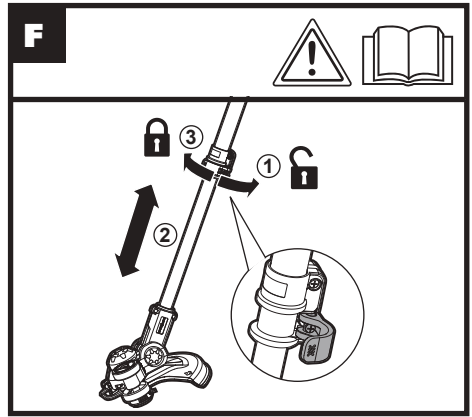
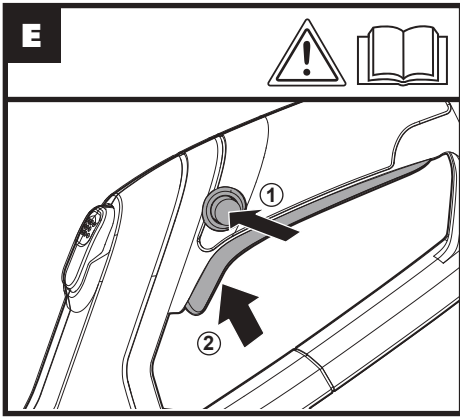


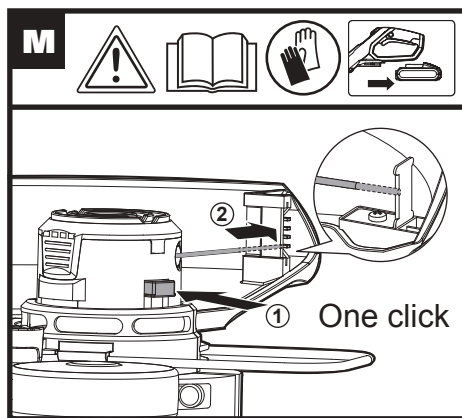
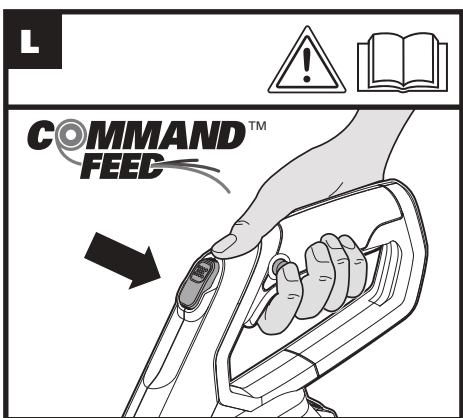
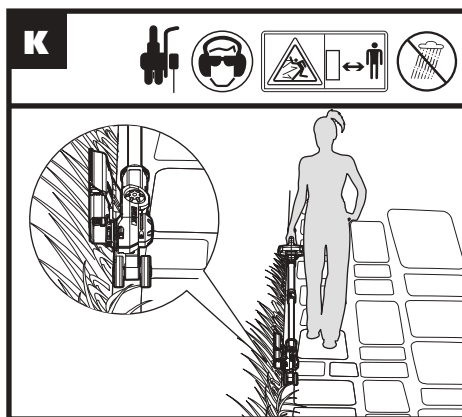
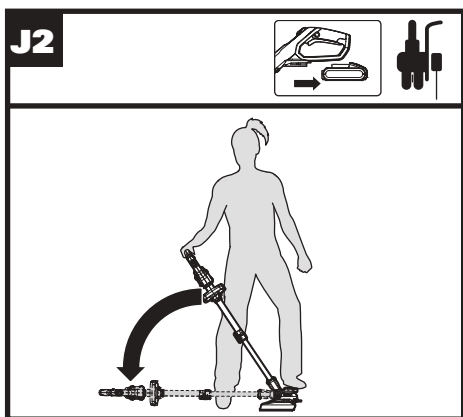
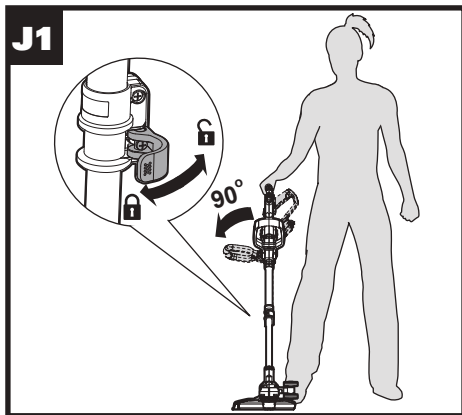
For WA3551 battery

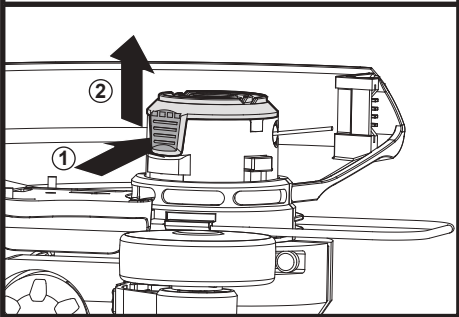
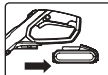
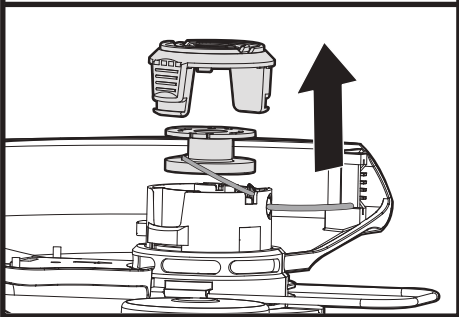
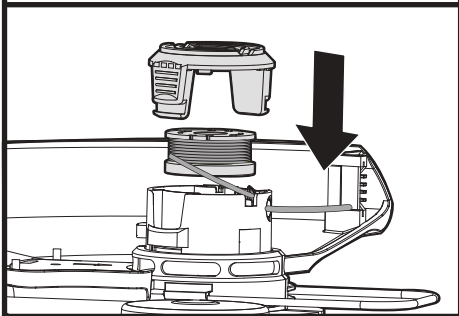
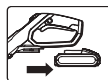
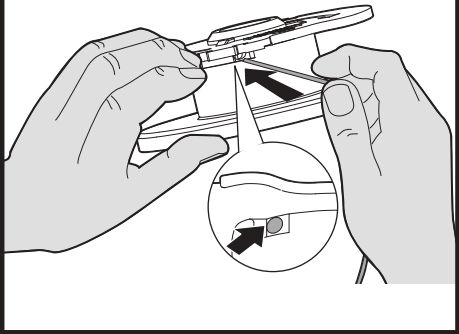
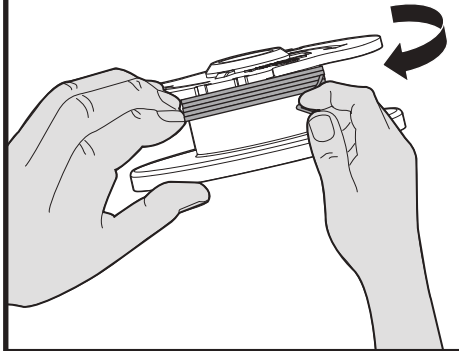
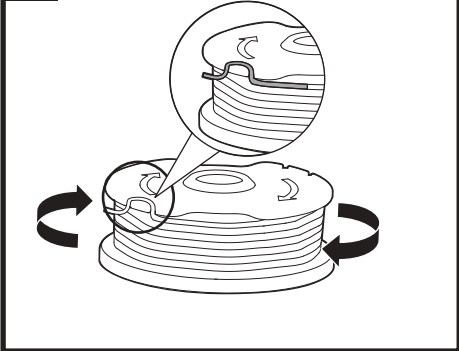
D2

For WA3551 battery

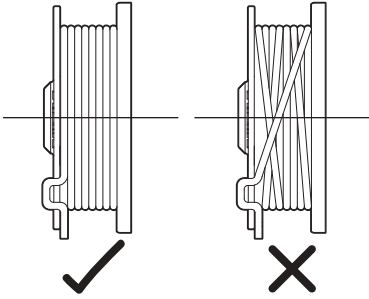







N1**N2****N3****01****02****03**

04



ORIGINAL INSTRUCTIONS

PRODUCT SAFETY GENERAL SAFETY WARNINGS

 **WARNING: Read all safety warnings and all instructions.** Failure to follow the warnings and instructions may result in electric shock, fire and/or serious injury.

Save all warnings and instructions for future reference.

The appliance is only to be used with the power supply unit provided with the appliance.

IMPORTANT READ CAREFULLY BEFORE USE KEEP FOR FUTURE REFERENCE

SAFE OPERATING PRACTICES

1. TRAINING

- a) Read the instructions carefully. Be familiar with the controls and the correct use of the machine.
- b) Never allow children, persons with reduced physical, sensory or mental capabilities or lack of experience and knowledge

or people unfamiliar with these instructions to use the machine, local regulations may restrict the age of the operator.

- c) Keep in mind that the operator or user is responsible for accidents or hazards occurring to other people or their property.

2. PREPARATION

- a) Before use, always visually inspect the machine for damaged, missing or misplaced guards or shields.
- b) Never operate the machine while people, especially children, or pets are nearby.

3. OPERATION

- a) Wear eye protection, long trousers and stout shoes at all times while operating the machine.
- b) Avoid using the machine in bad weather conditions especially when there is a risk of lightning.
- c) Use the machine only in daylight or good artificial light.
- d) Never operate the machine with damaged guards or shields or without guards or shields in place.

- e) Switch on the motor only when the hands and feet are away from the cutting means.
- f) Always disconnect the machine from the power supply (e.g. remove the battery pack from the machine)
- 1) whenever the machine is left unattended;
 - 2) before clearing a blockage;
 - 3) before checking, cleaning or working on the machine;
 - 4) after striking a foreign object;
 - 5) whenever the machine starts vibrating abnormally.
- g) Take care against injury to feet and hands from the cutting means. h) Always ensure that the ventilation openings are kept clear of debris.
- i) Never fit metal cutting elements.
- j) Always be sure of your footing on slopes.
- k) Walk, never run.
- l) Not overreach and keep the balance at all times.
- m) Not to touch moving hazardous parts before removing the battery pack from the machine and the

moving hazardous parts have come to a complete stop.

4. MAINTENANCE AND STORAGE

- a) Disconnect the machine from the power supply (e.g. remove the battery pack from the machine) before carrying out maintenance or cleaning work.
- b) Use only the manufacturer's recommended replacement parts and accessories.
- c) Inspect and maintain the machine regularly. Have the machine repaired only by an authorized repairer.
- d) When not in use, store the machine out of the reach of children.

SAFETY WARNINGS FOR BATTERY PACK






- a) Do not dismantle, open or shred cells or battery pack.**
- b) Do not short-circuit a battery pack. Do not store battery packs haphazardly in a box or drawer where they may short-circuit each other or be short-circuited by conductive materials.**
- When battery pack is not

- in use, keep it away from other metal objects, like paper clips, coins, keys, nails, screws or other small metal objects, that can make a connection from one terminal to another. Shorting the battery terminals together may cause burns or a fire.
- c) Do not expose battery pack to heat or fire. Avoid storage in direct sunlight.**
 - d) Do not subject battery pack to mechanical shock.**
 - e) In the event of battery leaking, do not allow the liquid to come into contact with the skin or eyes. If contact has been made, wash the affected area with copious amounts of water and seek medical advice.**
 - f) Seek medical advice immediately if a cell or battery pack has been swallowed.**
 - g) Keep battery pack clean and dry.**
 - h) Wipe the battery pack terminals with a clean dry cloth if they become dirty.**
 - i) Battery pack needs to be charged before use. Always refer to this instruction and use the correct charging procedure.**
 - j) Do not maintain battery pack on charge when not in use.**
 - k) After extended periods of storage, it may be necessary to charge and discharge the battery pack several times to obtain maximum performance.**
 - l) Battery pack gives its best performance when it is operated at normal room temperature (20°C ± 5°C).**
 - m) When disposing of battery packs, keep battery packs of different electrochemical systems separate from each other.**
 - n) Recharge only with the charger specified by WORX. Do not use any charger other than that specifically provided for use with the equipment.**
A charger that is suitable for one type of battery pack may create a risk of fire when

used with another battery pack.

- o) Do not use any battery pack which is not designed for use with the equipment.**
- p) Keep battery pack out of the reach of children.**
- q) Retain the original product literature for future reference.**
- r) Remove the battery from the equipment when not in use.**
- s) Dispose of properly.**

SYMBOL

	Read operator's manual
	Do not expose to rain or water
	Do not burn
	Wear eye and ear protection
	Keep bystanders away

	Do not expose to rain
	Wear protective gloves
	Waste electrical products must not be disposed of with household waste. Please recycle where facilities exist. Check with your local authorities or retailer for recycling advice.
	Edging
	Trimming
	Make sure the battery is removed prior to changing accessories.
	Lock
	Unlock
	Do not dispose of batteries, Return exhausted batteries to your local collection or recycling point.
	

1. LOCK OFF BUTTON
2. REAR HANDLE
3. ON/OFF SWITCH
4. BATTERY PACK *
5. HANDLE UNLOCK BUTTON
6. UPPER SHAFT
7. LOCKING COLLAR
8. LOWER SHAFT
9. SAFETY GUARD
10. FLOWER GUARD
11. AUXILIARY HANDLE
12. COMMAND FEED BUTTON
13. EDGER WHEEL
14. LINE FEED BUTTON
15. LINE CUTTER

* Not all the accessories illustrated or described are included in standard delivery.


TECHNICAL DATA

Type **WG163E WG163E.1 WG163E.9**
(1-designation of machinery, representative of Battery- powered Lawn Trimmer)

	WG163E WG163E.1	WG163E.9
Voltage	20V \equiv MAX**	
No load speed	7600/min	
Cutting diameter	30cm	
Line diameter	1.65mm	
Charging time	5hr	/
Machine weight	2.4kg	2kg

**Voltage measured without workload. Initial battery voltage reaches maximum of 20 volts. Nominal voltage is 18 volts.

NOISE DATA

A weighted sound pressure	$L_{pA} = 74dB(A)$
K_{pA}	3.0dB(A)
A weighted sound power	$L_{wA} = 90dB(A)$
Wear ear protection	

VIBRATION INFORMATION

Vibration emission value	$a_h < 1.8m/s^2$
Uncertainty	$K = 1.5m/s^2$

The declared vibration total value may be used for comparing one tool with another, and may also be used in a preliminary assessment of exposure.

! WARNING! The vibration emission value during actual use of the power tool can differ from the declared value depending on the ways in which the tool is used dependant on the following examples and other variations on how the tool is used: How the tool is used and the materials being cut or drilled.

The tool being in good condition and well maintained. The use the correct accessory for the tool and ensuring it is sharp and in good condition.

The tightness of the grip on the handles and if any anti vibration accessories are used.

And the tool is being used as intended by its design and these instructions.

This tool may cause hand-arm vibration syndrome if its use is not adequately managed.

! WARNING! To be accurate, an estimation of exposure level in the actual conditions of use should also take account of all parts of the operating cycle such as the times when the tool is switched off and when it is running idle but not actually doing the job. This may significantly reduce the exposure level over the total working period. Helping to minimize your vibration exposure risk. ALWAYS use sharp chisels, drills and blades. Maintain this tool in accordance with these instructions and keep well lubricated (where appropriate). If the tool is to be used regularly then invest in anti vibration accessories. Plan your work schedule to spread any high vibration tool use across a number of days.

ACCESSORIES

	WG163E	WG163E.1	WG163E.9
Flower guard	1	1	1
Charger	1 (WA3760)	1 (WA3760)	/
Battery pack	2 (WA3551.1)	1 (WA3551)	/
Spool (WA0004)	1	1	1
Safety guard	1	1	1
Edger wheel	1	1	1

We recommend that you purchase your accessories from the same store that sold you the tool. Refer to the accessory packaging for further details. Store personnel can assist you and offer advice.

ASSEMBLY AND OPERATION



NOTE: Before using the tool, read the instruction book carefully.

Intended Use

The machine is intended for the cutting of grass and weeds under bushes, as well as on slopes and edges that can not be reached with the lawn mower.



WARNING! The charger and battery pack are specially designed to work together so do not attempt to use any other devices. Never insert or allow metallic objects into your charger or battery pack connections because of an electrical failure and hazard will occur.



WARNING! Always wear the eye protection. Never lean over the trimmer head. Rocks or debris can ricochet or be thrown into eyes and face and cause blindness or other serious injury. When operating unit, check for the following:
Wear eye protection and heavy clothing. Hold front handle with one hand and auxiliary handle with the other hand. Keep unit below waist level. Work only from your right to your left to ensure debris is thrown away from you. Without bending over, keep line near and parallel to the ground (perpendicular when edging) and not crowded into material being cut.



WARNING! Make sure that line is fed out before operation. Make sure motor is up to full speed before trimming or edging.



WARNING! Only use 1.65mm diameter cutting line. Other sizes of line will not feed properly and will result in improper cutting head function or can cause serious injury. Do not use other

material such as wire, string, rope, etc. Wire can break off during cutting and become a dangerous projectile that can cause serious injury.

ASSEMBLY & OPERATION

Action	Figure
Assembly	
Assembling the Safety Guard	See Fig. A1, A2
Mounting the Edger Wheel WARNING! Make Sure the ON/OFF Switch is Locked Off to Prevent Accidental Starting.	See Fig. B
Installing and Removing the Battery Pack	See Fig. C
Charging the battery pack More details can be found in charger's manual	See Fig. D1
Checking the battery condition (Only for WG163E.1)	See Fig. D2
Operation	
Safety ON/OFF Switch WARNING! The cutting head continues to rotate after the trimmer has been switched off; wait until it has completely stopped then lay down the tool.	See Fig. E
Trimming	
- Adjusting the Shaft WARNING! Make Sure the ON/OFF Switch is Locked Off to Prevent Accidental Starting.	See Fig. F
- Adjusting the Trimmer Head	See Fig. G1, G2
- Adjusting the Auxiliary handle	See Fig. H
- Trimming	See Fig. I1
- Using the Flower Guard	See Fig. I2
Edging	
- Changing the tool into the Edging mode	See Fig. J1, J2
- Edging	See Fig. K
Command feeding the line	See Fig. L
Manually feeding the line	See Fig. M

Replacing the trimmer Spool	See Fig. N1, N2, N3
Manually winding the line	See Fig. O1, O2, O3, O4

ENVIRONMENTAL PROTECTION



Waste electrical products must not be disposed of with household waste. Please recycle where facilities exist. Check with your local authorities or retailer for recycling advice.

WORKING HINTS

1. AUTOMATIC LINE FEED SYSTEM

When initially switching on the trimmer, a small length of line is fed out.

A 'clattering' noise will be heard when the lines hit the Line Cutter. DO NOT BE ALARMED. This is quite normal. After about 5 seconds the line will be cut to the correct length and the noise will reduce as the motor gains full speed.

If the noise of the line being cut can't be heard, more line will need to be fed out.

To feed more line, it is first necessary to allow the trimmer to stop completely; it must come to a complete rest, then restart, allowing the motor to reach full speed.

Repeat above until you hear the line hitting against the Line Cutter.

2. (See Fig. L)

Your grass trimmer is equipped with a Command Feed System. Just press the button while the machine is running, new line will feed out and then stop when you hear the 'clattering' noise of the new line being cut. The motor stops briefly when the Command Feed button is pressed, and restarts when released. This process enables the machine to automatically feed out new line.

3. MANUALLY FEEDING THE LINE (See Fig. M)

Press and release manual line feed button (14), whilst gently pull out the lines until the lines reaches the line cutter.

If the line extends past the line cutter, too much line has been fed out.

If too much line is fed out, remove the cutting head cover and rotate the spool anti-clockwise until the line is at the desired length.

MAINTENANCE

After use, disconnect the battery from the tool and check for damage.

Your power tool requires no additional lubrication or maintenance. There are no user serviceable parts in your power tool. Never use water or chemical cleaners to clean your power tool. Wipe clean with a dry cloth. Always store your power tool in a dry room temperature location. Keep the motor ventilation slots clean. Keep all working controls free of dust.

TROUBLESHOOTING

The following table gives problems and actions that you can perform if your machine does not operate correctly.



WARNING: Switch the machine off and remove the battery prior to any troubleshooting.

Problems	Possible Causes	Corrective Action
Trimmer fails to operate.	Battery discharged. Battery too hot/cold. Motor is broken. Internal wiring of machine damaged.	Recharge battery; also see the content in charger manual. Allow to cool/warm. Contact Service Agent. Contact Service Agent.
Trimmer runs intermittently.	Motor is broken. Battery not fully charged. On/Off switch defective.	Contact Service Agent. Recharge battery. Contact Service Agent.
Excessive vibrations/noise.	Machine defective. Line spool is not wound well.	Contact Service Agent. Rewind the line. See "MANUALLY WINDING THE LINE" (Fig. O1, O2, O3, O4).
Cutting time per battery charge too short.	Battery has not been used for long period or only charged for short term. Grass too high. Battery defective.	Recharge battery; also see the content in charger manual. Cut in stages. Replace the battery.
Machine does not cut.	Line broken. Battery not fully charged. Motor is broken (speed is too low). Grass entangled around cutting head.	Replace the line. Recharge battery; also see the content in charger manual. Contact Service Agent. Remove grass.
Continuous lighting of the battery charge indicator.No charging procedure possible.	Battery not (properly) inserted. Battery contacts contaminated. Battery defective.	Properly insert battery into battery charger. Clean the battery contacts or replace the battery. Replace the battery.
Battery charge indicator does not light up.	Plug of battery charger not plugged in (properly). Socket outlet, mains cable or battery charger defective.	Insert mains plug (fully) into the socket outlet. Check the mains voltage; have the battery charger checked by an authorized after-sales service agent.
Auto Feed/Command feed does not work	Cutting line is not wound well. The line is tangled. Line is used up.	Manually feed the line, if still cannot feed out, remove the Spool out and rewind the line. Replace with a new spool of line.

DECLARATION OF CONFORMITY

We,
POSITEC Germany GmbH
Grüner Weg 10, 50825 Cologne, Germany

Declare that the product
Description **Battery-powered Grass Trimmer**
Type **WG163E WG163E.1 WG163E.9**
(1-designation of machinery, representative of Battery- powered Lawn Trimmer)
Function **Cutting grass and similar soft vegetation and for trimming grass edges**

Complies with the following Directives:
2006/42/EC, 2014/30/EU, 2011/65/EU, 2000/14/EC amended by 2005/88/EC

2000/14/EC amended by 2005/88/EC:
- Conformity Assessment Procedure as per **Annex VI**
- Measured Sound Power Level **86dB(A)**
- Declared Guaranteed Sound Power Level **90dB(A)**

The notified body involved
Name: **Intertek Testing & Certification Ltd (notified body 0359)**
Address: **Davy Avenue, Knowlhill, Milton Keynes, MK5 8NL**

Standards conform to
EN 60335-1
EN 50636-2-91
EN 62233
EN ISO 3744
EN 55014-1
EN 55014-2

17

The person authorized to compile the technical file,
Name Marcel Filz
Address Positec Germany GmbH
Grüner Weg 10, 50825 Cologne, Germany



2018/01/10
Allen Ding
Deputy Chief Engineer, Testing & Certification
Positec Technology (China) Co., Ltd
18, Dongwang Road, Suzhou Industrial
Park, Jiangsu 215123, P. R. China

ПЕРЕВОД ОРИГИНАЛЬНЫХ ИНСТРУКЦИЙ

ПРАВИЛА ТЕХНИКИ БЕЗОПАСНОСТИ ОБЩИЕ ПРАВИЛА ТЕХНИКИ БЕЗОПАСНОСТИ



ПРЕДУПРЕЖДЕНИЕ!

**Внимательно
ознакомьтесь с
инструкциями.**

Невыполнение всех нижеприведенных инструкций и рекомендаций может привести к поражению электрическим током, пожару и серьезным травмам.

СОХРАНИТЕ ЭТИ ИНСТРУКЦИИ

Данное изделие должно использоваться только с входящим в комплект поставки блоком питания.

**ВНИМАНИЕ
ВНИМАТЕЛЬНО
ПРОЧИТАТЕ ПЕРЕД ТЕМ,
КАК ИСПОЛЬЗОВАТЬ
УСТРОЙСТВО
СОХРАНИТЕ
НАСТОЯЩУЮ
ИНСТРУКЦИЮ, ТАК
КАК ОНА МОЖЕТ
ПОНАДОБИТЬСЯ ВАМ В
БУДУЩЕМ**

ПРАВИЛА БЕЗОПАСНОЙ ЭКСПЛУАТАЦИИ УСТРОЙСТВА

1. ОБУЧЕНИЕ

- a) Внимательно прочитайте инструкцию. Ознакомьтесь с регуляторами и правильным использованием оборудования
- b) Не позволяйте детям, лицам с ограниченными физическими или умственными способностями, лицам с недостаточным опытом и знаниями, а также лицам, не ознакомленным с этой инструкцией, пользоваться этим устройством; кроме того, местные законы могут ограничивать возраст оператора.
- c) Оператор или пользователь ответственен за несчастные случаи и ущерб, нанесенный другим лицам или их имуществу.

2. ПОДГОТОВКА

- a) Перед использованием всегда визуально проверьте оборудование на предмет повреждений, отсутствующих или защитных кожухов или щитков.

b) Никогда не пользуйтесь триммером, если поблизости находятся другие люди, в особенности дети, или домашние животные.

3. ЭКСПЛУАТАЦИЯ

- a) В процессе работы с оборудованием надевайте защиту для глаз, длинные брюки и прочную обувь.
- b) Не работайте с триммером при плохих погодных условиях, в частности, когда собирается гроза.
- c) Работайте только при дневном освещении или хорошем искусственном освещении.
- d) Никогда не работайте с триммером, если отсутствуют или повреждены крышки или защитные приспособления или если они неправильно установлены.
- e) Включайте садовый инструмент, только когда Ваши руки и ноги находятся на достаточном расстоянии от режущих ножей.
- f) Всегда отключайте оборудование от источника электропитания (т. е. вытащите вилку из розетки)

- 1) Всегда перед тем, как оставить садовый инструмент без присмотра;
- 2) Перед устранением засорений;
- 3) Перед очисткой или работами на триммере;
- 4) После столкновения с посторонним предметом;
- 5) Если оборудование начинает необычно вибрировать.
- g) Примите меры по предотвращению травм ног и рук режущими устройствами.
- h) Постоянно следите за чистотой вентиляционных шлицев.
- i) Никогда не используйте металлические режущие элементы для этого триммера.
- j) Будьте осторожны на склонах.
- k) Не бегайте с триммером
- l) Всегда сохраняйте устойчивое положение и равновесие. Не перенапрягайтесь.
- m) Не прикасайтесь к опасным движущимся частям до того, как оборудование будет отключено от источника электропитания и опасные движущиеся части

полностью не останутся.

4. ТЕХОБСЛУЖИВАНИЕ И ХРАНЕНИЕ

- a) Перед тем, как проводить техническое обслуживание или чистку оборудования, отключайте его от источника электропитания (т. е. вытаскивайте вилку из розетки).
- b) Используйте только рекомендованные производителем запасные части и принадлежности.
- c) Регулярно проверяйте триммер и выполняйте работы по его техобслуживанию. Отдавайте триммер в ремонт только в авторизированные сервисные мастерские.
- d) Если Вы не пользуетесь триммером, храните его в недоступном для детей месте.

ПРАВИЛА ТЕХНИКИ БЕЗОПАСНОСТИ ДЛЯ АККУМУЛЯТОРНОЙ БАТАРЕИ

- a) **Не допускается разбирать, вскрывать,**

измельчать элементы питания и аккумуляторную батарею.

- b) **Не допускается замыкать элементы питания или аккумулятор. Не допускается беспорядочно хранить элементы питания или аккумулятор в коробке или ящике, где они могут замкнуть друг друга или могут быть замкнуты другими металлическими предметами.** Если аккумуляторная батарея не используется, держите ее подальше от металлических предметов, таких как зажимы, монеты, гвозди, винты и прочие металлические предметы небольшого размера, которые могут соединить клеммы друг с другом. Короткое замыкание клемм батареи может стать причиной ожогов или пожара.

- c) **Не допускается подвергать аккумуляторную батарею воздействию**

- высоких температур или пламени. Избегайте хранения аккумуляторной батареи в местах, подверженных воздействию прямого солнечного света.**
- d) Не допускается подвергать аккумуляторную батарею механическим ударам**
- e) В случае протечки аккумуляторной батареи, не допускайте контакта электролита с кожей или глазами. В случае такого контакта необходимо промыть пораженный участок обильным количеством воды и обратиться за медицинской помощью.**
- f) В случае проглатывания элемента питания или аккумулятора необходимо незамедлительно обратиться за медицинской помощью.**
- g) Аккумуляторную батарею необходимо содержать в чистоте и сухости.**
- h) В случае загрязнения контактов аккумуляторной батареи их необходимо протереть чистой сухой тканью.**
- i) Аккумуляторную батарею необходимо заряжать перед использованием. Всегда следуйте данной инструкции и используйте правильный порядок зарядки.**
- j) Не допускается оставлять аккумулятор на зарядном устройстве, если он не используется.**
- k) После продолжительного хранения может потребоваться несколько раз зарядить и разрядить аккумуляторную батарею для достижения максимальной эффективности ее работы.**

l) Аккумуляторная батарея работает наиболее эффективно при нормальной комнатной температуре (20°С ±5°С).

m) При утилизации аккумуляторных батарей держите их отдельно от других электромеханических изделий.

n) Используйте только зарядные устройства, указанные WORX. Не допускается использовать какие-либо зарядные устройства, за исключением специально предназначенных для данного оборудования.

Зарядное устройство, которое подходит для одной аккумуляторной батареи, может стать причиной пожара при использовании с другой аккумуляторной батареей.

o) Не допускается использовать какие-либо аккумуляторные батареи, не предназначенные для использования с данным

оборудованием.

- p) Храните аккумуляторную батарею в местах, недоступных для детей.
- q) Следует сохранить оригинальную документацию на изделие для будущего использования.
- r) По возможности извлекайте аккумуляторную батарею из изделия, если она не используется.
- s) Утилизируйте аккумуляторную батарею должным образом.

УСЛОВНЫЕ ОБОЗНАЧЕНИЯ

	Прочтите инструкцию
	Не подвергать воздействию дождя или воды
	Не поджигать
	Надевайте защиту для глаз и ушей
	Надевайте защитные рукавицы


	Держите посторонних на расстоянии
	Не оставляйте под дождем
	Отходы электротехнической продукции не следует утилизировать с бытовыми отходами. Они должны быть доставлены в местный центр утилизации для надлежащей переработки
	Обработка кромок
	Подрезание
	Перед сменой принадлежностей убедитесь, что аккумулятор извлечен
	Блокировка
	Разблокировка
 Li-Ion 	Не выбрасывайте аккумуляторы. Возвратите использованные аккумуляторы на местный пункт сбора или утилизации.

1. КНОПКА СНЯТИЯ БЛОКИРОВКИ
2. ЗАДНЯЯ РУКОЯТКА
3. ВЫКЛЮЧАТЕЛЬ ПИТАНИЯ
4. АККУМУЛЯТОР*
5. КНОПКА ФИКСАЦИИ РУЧКИ
6. ВЕРХНЯЯ ШТАНГА
7. СОЕДИНИТЕЛЬНАЯ МУФТА
8. НИЖНЯЯ ШТАНГА
9. ЗАЩИТНЫЙ КОЖУХ
10. ОГРАНИЧИТЕЛЬ ДЛЯ ЗАЩИТЫ ЦВЕТОВ
11. ДОПОЛНИТЕЛЬНАЯ РУКОЯТКА
12. КНОПКА ПОДАЧИ ЛЕСКИ
13. КРОМОЧНОЕ КОЛЕСО
14. КНОПКА СЪЕМА ГОЛОВКИ
15. РЕЗАК ЛЕСКИ

*Не все принадлежности, показанные или описанные выше включены в стандартную поставку.

ТЕХНИЧЕСКИЕ ХАРАКТЕРИСТИКИ

Моделей **WG163E WG163E.1 WG163E.9**
(1-обозначение инструмента
Аккумуляторный триммер газонов)

	WG163E WG163E.1	WG163E.9
Номинальное напряжение	20В  Макс.**	
Скорость без нагрузки	7600об/мин	
Диаметр круга резки	30см	
Диаметр лески	1.65мм	
Время зарядки	~ 5 часов	/
Вес	2.4кг	2кг

** Напряжение измерено без рабочей нагрузки. Первоначальное напряжение аккумулятора достигает максимум 20 В. Номинальное напряжение составляет 18 В.

ХАРАКТЕРИСТИКИ ШУМА И ВИБРАЦИИ

Звуковое давление $L_{pA} = 74\text{dB(A)}$

K_{pA} 3.0dB(A)

Акустическая мощность $L_{wA} = 90\text{dB(A)}$

Наденьте защиту слуха.



ХАРАКТЕРИСТИКИ ВИБРАЦИИ

Измеренная вибрация $a_h < 1.8\text{m/s}^2$

Погрешность $K = 1.5\text{m/s}^2$

Заявленное общее значение вибрации может использоваться для сравнения инструментов между собой, а также для предварительной оценки воздействия.

ВНИМАНИЕ: Вибрация, производимая при работе механизированного инструмента, может отличаться от заявленных значений в зависимости от способов использования устройства. Ниже перечислены некоторые условия, от которых зависит интенсивность вибрации:

Способ использования инструмента и свойства обрабатываемого материала.
Состояние инструмента и уровень техобслуживания.
Тип используемых принадлежностей и их техническое состояние.
Сила удержания рукояток и наличие противовибрационных средств.
Используемые рабочие инструменты, соответствие применения инструментов их назначению.

При неправильном обращении данное устройство может стать причиной тремора рук.

ВНИМАНИЕ: Для точной оценки воздействия вибрации во время эксплуатации необходимо также учитывать все этапы рабочего процесса, включая время, когда устройство выключено или включено, но бездействует. Эти перерывы значительно снижают общее влияние вибрации в ходе всего рабочего цикла.

Следующие рекомендации помогут снизить опасность воздействия вибрации при работе.
Проводите техобслуживание в соответствии с указаниями, тщательно смазывайте устройство в соответствующих местах.
Если устройство используется регулярно, приобретите

противовибрационные средства.
Распределите задачи так, чтобы работы, сопровождающиеся высоким уровнем вибрации, проводились через большие промежутки времени.

ПРИНАДЛЕЖНОСТИ

	WG163E	WG163E.1	WG163E.9
Защита Цветов	1	1	1
Зарядное Устройство	1 (WA3760)	1 (WA3760)	/
Аккумулятор	2 (WA3551.1)	1 (WA3551)	/
Бобина(WA0004)	1	1	1
Защитный Кожух	1	1	1
Кромочное Колесо	1	1	1

Рекомендуется приобретать все принадлежности в том же магазине, где был приобретен инструмент. За более подробной информацией обратитесь к разделу «Рекомендации по использованию» в этой инструкции или сведениям на упаковке принадлежностей. Помощь и консультацию можно также получить у продавца.

СБОРКА И ЭКСПЛУАТАЦИЯ

ВНИМАНИЕ: Перед использованием инструмента, внимательно прочитайте руководство по эксплуатации.

Применение по назначению

Настоящий инструмент предназначен для стрижки травы и сорняков под кустами, а также на склонах и для обработки кромок, до которых не добраться газонокосилкой.

ПРЕДУПРЕЖДЕНИЕ! Зарядное устройство и аккумулятор сконструированы специально для работы вместе, поэтому не пытайтесь использовать какие-либо иные устройства. Не вставляйте и не допускайте попадания металлических предметов в зарядное устройство или на контакты аккумулятора, т. к. это может привести к повреждению электрооборудования и травмам оператора.

ПРЕДУПРЕЖДЕНИЕ! Всегда надевайте защитные средства для глаз. Никогда не наклоняйтесь к головке подрезчика. Камни или мусор могут отскочить рикошетом или могут быть отброшены устройством и попасть в глаза или лицо,

стать причиной потери зрения или других серьезных травм. При эксплуатации устройства выполняйте следующие действия:

Используйте средства защиты глаз и прочную одежду. Одной рукой держите переднюю ручку, а другой – вспомогательную ручку. При работе рукоятки устройства должны находиться на уровне не выше талии. Подрезайте траву только справа налево, чтобы мусор летел в противоположную от вас сторону. Держите плоскость подрезки на небольшой высоте параллельно земле без наклона (перпендикулярно грунту при обработке кромок), избегайте куч срезанной травы.

⚠ ПРЕДУПРЕЖДЕНИЕ! Перед эксплуатацией убедитесь, что подача обеих лесок работает. Перед началом кошения убедитесь в том, что двигатель работает на полную мощность.

⚠ ПРЕДУПРЕЖДЕНИЕ! Используйте только леску диаметром 1.65 мм. Леска с другими размерами будет плохо подаваться, что приведет к неправильной работе режущей головки или получению серьезных повреждений. Не используйте другой материал, например, проволоку, струны, веревки и т.д. Проволока может порваться во время резки и, отлетев, нанести серьезные травмы.

Действие	Рисунок
СБОРКА	
Сборка защитного кожуха	См. рис. A1, A2
Установка диска для подрезки краев газона ⚠ ПРЕДУПРЕЖДЕНИЕ: Для предотвращения случайного пуска зафиксируйте защитный выключатель.	См. рис. B
Снятие и установка аккумуляторной батареи	См. рис. C
ЗАРЯДКА АККУМУЛЯТОРНОЙ БАТАРЕИ Более подробная информация содержится в инструкции зарядного устройства	См. рис. D1
Проверка уровня заряда аккумуляторной батареи (только для WG163E.1)	См. рис. D2

ЭКСПЛУАТАЦИЯ

ВЫКЛЮЧАТЕЛЬ ⚠ ПРЕДУПРЕЖДЕНИЕ: Режущая головка продолжает вращаться после выключения подрезчика; подождите, пока режущая головка остановится, после чего положите инструмент.	См. рис. E
---	------------

ПОДРЕЗАНИЕ

-РЕГУЛИРОВКА ТЕЛЕСКОПИЧЕСКОЙ ШТАНГИ ⚠ ПРЕДУПРЕЖДЕНИЕ: Для предотвращения случайного пуска зафиксируйте защитный выключатель.	См. рис. F
-Регулировка головки триммера	См. рис. G1, G2
-Регулировка вспомогательной ручки	См. рис. H
-Подрезание	См. рис. I1
-Использование рамки для защиты цветов	См. рис. I2

ОБРАБОТКА КРОМК

-Переключение инструмента в режим подрезчика краев газона	См. рис. J1, J2
-Обработка кромок	См. рис. K
Управляемая подача режущей лески	См. рис. L
Выполните следующие действия для подачи лески вручную	См. рис. M
Замена катушки триммера	См. рис. N1, N2, N3
Как смотать леску вручную	См. рис. O1, O2, O3, O4

СОВЕТЫ ПО РАБОТЕ

1. АВТОМАТИЧЕСКАЯ СИСТЕМА ПОДАЧИ ЛЕСКИ

При первом включении подрезчика подается немного лески.

Слышен трещащий звук, когда леска попадает в резак лески. **НЕ ВОЛНУЙТЕСЬ**, так и должно быть. Через 5 секунд длина лески будет уменьшена в соответствии с требуемым размером и шум уменьшится, т.к. двигатель начнет работать на максимальной скорости.

Если шум отрезаемой лески не слышен, подается больше лески.

Для подачи большего количества лески сначала нужно, чтобы подрезчик полностью остановился,

затем требуется повторно включить устройство, чтобы двигатель работал на максимальной скорости. Повторите эту процедуру более раз, пока не услышите, как леска задевает резак лески.



2. **COMMAND FEED** (СМ. РИС. L)

Триммер оснащен системой управляемой подачи режущей лески. При работающей машине нажмите кнопку подачи куска режущей лески и, услышав звук щелчков, издаваемый новой леской в процессе резки, остановите подачу. При нажатии кнопки подачи новой лески двигатель приостанавливается и, когда кнопка отпущена, возобновляет работу. Этот процесс позволяет машине автоматически подавать новую леску.



3. ВЫПОЛНИТЕ СЛЕДУЮЩИЕ ДЕЙСТВИЯ ДЛЯ ПОДАЧИ ЛЕСКИ ВРУЧНУЮ(СМ. РИС. M)

Для этого нажмите и отпустите кнопку подачи лески вручную (14), при этом осторожно вытаскивая леску, пока конец лески не дотянется до резака лески. В этом случае снимите колпак бобины и подмотайте леску, вращая бобину против часовой стрелки, пока леска не достигнет нужной длины.

ТЕХНИЧЕСКОЕ ОБСЛУЖИВАНИЕ

После завершения работы обязательно извлекайте аккумуляторную батарею из триммера. Данный электроинструмент не требует дополнительной смазки или технического обслуживания. В инструменте отсутствуют детали, подлежащие обслуживанию пользователем. Никогда не используйте воду или химические чистящие средства для чистки электроинструмента. Протирайте его сухой тканью. Всегда храните электроинструмент в сухом месте. Содержите в чистоте вентиляционные отверстия двигателя. Очищайте от пыли все рабочие органы управления.

ЗАЩИТА ОКРУЖАЮЩЕЙ СРЕДЫ

 Отходы электротехнической продукции не следует утилизировать с бытовыми отходами.  Они должны быть доставлены в местный центр утилизации для надлежащей переработки.

ДЕКЛАРАЦИЯ СООТВЕТСТВИЯ

Мы,
POSITEC Germany GmbH
Grüner Weg 10, 50825 Cologne, Germany

Заявляем, что продукция,
Марки **Battery-powered Grass Trimmer**
Моделей **WG163E WG163E.1 WG163E.9**
(1-обозначение инструмента
Аккумуляторный триммер газонов)
Функции **стрижка травы и другой мягкой растительности, а также подравнивание кромки газона**

Соответствует положениям Директив,
2006/42/ЕС, 2014/30/EU, 2011/65/EU,
2000/14/ЕС с дополнением2005/88/ЕС

2000/14/ЕС с дополнением2005/88/ЕС:
-Процедура оценки совместимости согласно **Annex VI**
-Измеренный уровень силы звука **86 дБ (А)**
-Заявленный гарантированный уровень силы звука **90 дБ (А)**

Информация предоставлена
Имя: Intertek Testing & Certification Ltd
(notified body 0359)
Адрес: Davy Avenue, Knowlhill, Milton Keynes, MK5 8NL

Истандарта,
EN 60335-1
EN 50636-2-91
EN 62233
EN ISO 3744
EN 55014-1
EN 55014-2

Лицо с правом компилирования данного технического файла,
имя Marcel Filz
Адрес Positec Germany GmbH
Grüner Weg 10, 50825 Cologne, Germany



2018/01/10
Allen Ding
Заместитель главного инженера, Тестирование и сертификация
Positec Technology (China) Co., Ltd
18, Dongwang Road, Suzhou Industrial Park, Jiangsu 215123, P. R. China

ПОИСК И УСТРАНЕНИЕ НЕИСПРАВНОСТЕЙ

В следующей таблице представлены неисправности и меры по их устранению.

⚠ ВНИМАНИЕ: ПЕРЕД НАЧАЛОМ ПОИСКА И УСТРАНЕНИЯ НЕИСПРАВНОСТЕЙ ОТКЛЮЧИТЕ ПИТАНИЕ УСТРОЙСТВА И ИЗВЛЕКИТЕ БАТАРЕЮ.

Неисправность	Возможные причины	Способ устранения
Триммер не работает.	Разряжена батарея. Перегрев/переохлаждение батареи. Вышел из строя двигатель. Повреждение внутренней проводки устройства.	Зарядите батарею; также см. "ЗАРЯДКА БАТАРЕИ". Подождите, пока не остынет/нагреется батарея. Обратитесь в сервисный центр. Обратитесь в сервисный центр.
Триммер работает прерывисто.	Вышел из строя двигатель. Частичная разрядка батареи. Неисправность выключателя питания.	Обратитесь в сервисный центр. Зарядите батарею. Обратитесь в сервисный центр.
Слишком сильная вибрация/шум.	Дефект газонокосилки. Плохо намотана леска на бобину.	Обратитесь в сервисный центр. Перемотайте леску. См. «КАК СМОТАТЬ ЛЕСКУ ВРУЧНУЮ» (См. рис. O1, O2, O3, O4)
Слишком короткое время кошения на заряд батареи.	Батарея длительно не использовалась или недостаточно заряжалась. Слишком высокая трава. Неисправность батареи.	Полностью зарядите батарею; также см. "ЗАРЯДКА БАТАРЕИ". Косите траву поэтапно. Замените батарею.
Устройство не косит траву.	Повреждение лески. Частичная разрядка батареи. Вышел из строя двигатель (слишком низкая скорость). Вокруг режущей головки обмотана трава.	Замените леску. Зарядите батарею; также см. "ЗАРЯДКА БАТАРЕИ". Обратитесь в сервисный центр. Удалите траву.
Постоянно горит индикатор зарядки батареи.	Батарея не вставлена (вставлена не полностью). Окислились контакты батареи. Неисправность батареи.	Хорошо вставьте батарею в зарядное устройство. Зачистите контакты батареи или замените батарею. Замените батарею.
Не горит индикатор зарядки батареи.	Не (полностью) вставлена вилка зарядного устройства для батареи. Неисправность сетевой розетки, сетевого шнура или зарядного устройства для батареи.	Вставьте (полностью) вилку в розетку. Проверьте напряжение в сети; отнесите зарядное устройство для батареи на проверку в авторизованный сервисный центр.
Не работает автоподача лески	Плохо намотана режущая леска. Запуталась леска. Износ лески.	Передвиньте леску вручную. Если подача не возобновляется, извлеките бобину и заново намотайте леску. Замените на новую бобину с леской.

СТРАНА**ТЕЛЕФОН ТЕХПОДДЕРЖКИ****АВТОРИЗОВАННЫЙ СЕРВИСНЫЙ ЦЕНТР**

Россия

+ 7(495) 221-4625 доб.106, 107,108

Ленинградское ш., вл.29г,г.Химки, Московская обл., 141408, Россия

**EAC**

Производитель:	Место производства
Позитек Германия ГМБХ, Грюнер Вег 10, 50825 Кёльн, Германия	
Позитек Технолоджи КНР Ко.Лтд Номер 18 Донванг Роуд, Сучжоу Индастриал Парк, Сучжоу, Джиангсу, КНР	√

Импортер: ООО «Дистрибьюторский Центр Юнисоо», Ленинградское ш., вл. 29Г, г.Химки, Московская обл., 141408, Россия

Срок службы 6 лет.

WORX
it's your nature

www.worx.com

Copyright © 2018, Positec. All Rights Reserved.
AR01343401