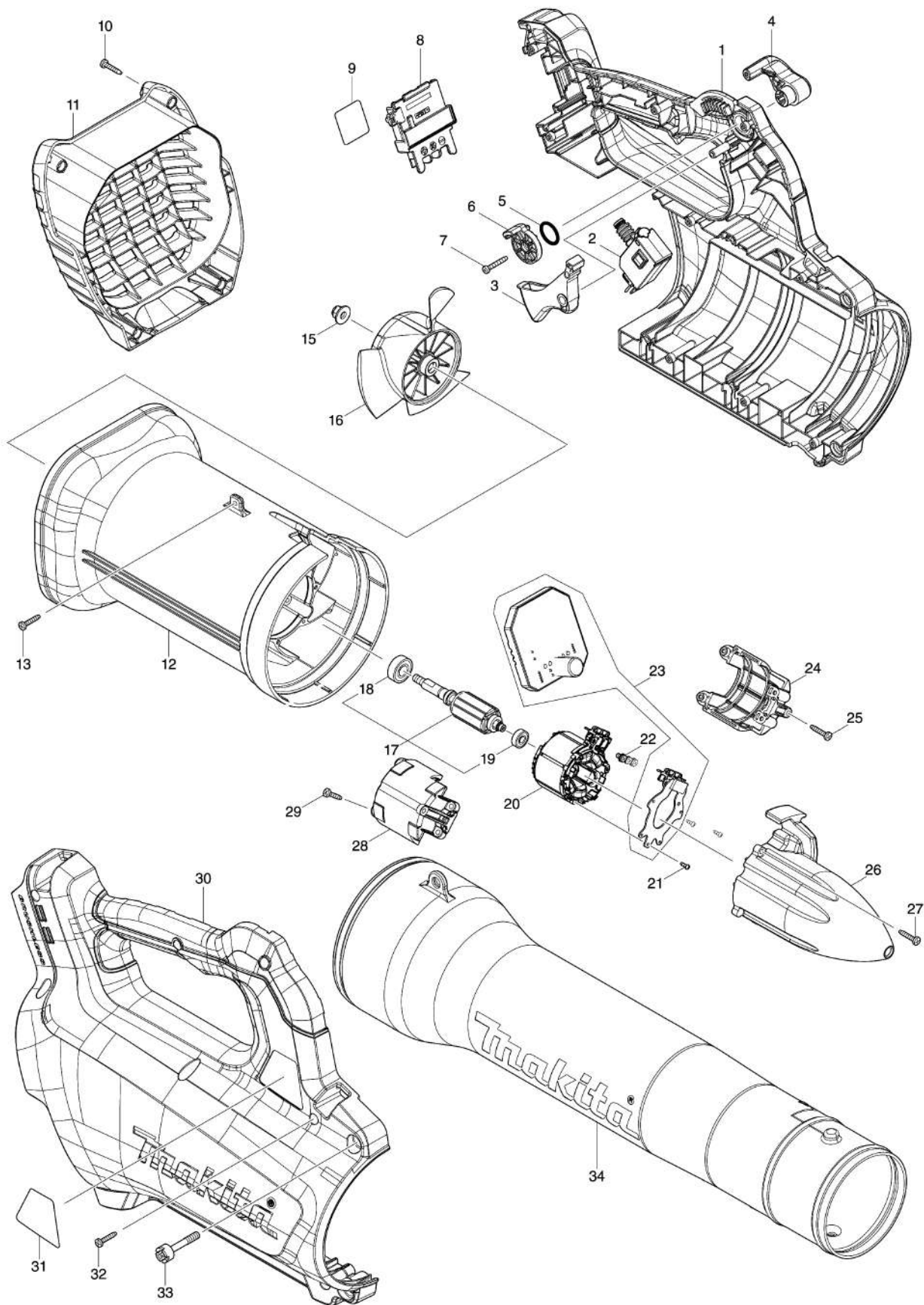


Model No.DUB184 CORDLESS BLOWER



Model No.DUB184 CORDLESS BLOWER

Item	Parts No.	Description	I/C	Qty	New/Old	Opt. 1	Opt. 2	Note
001	183M74-5	HOUSING SET		1				
C10	263005-3	RUBBER PIN 6		2				
C20	806D81-4	CAUTION LABEL		1				
D10		INC. 30						
002	651395-0	SWITCH C3JW-6B-PA6N		1				
003	459696-8	SWITCH LEVER		1				
004	459697-6	CONTROL LEVER		1				
005	213154-6	O RING 14		1				
006	459698-4	LINK		1				
007	266127-8	+ TAPPING SCREW PT 3X20		1				
008	643874-2	TERMINAL		1				
009	856D78-3	DUB184 SERIAL NO. LABEL		1				
010	266130-9	TAPPING SCREW BIND PT 3X16		4				
011	459699-2	REAR COVER		1				
012	459695-0	FAN HOUSING		1				
013	266130-9	TAPPING SCREW BIND PT 3X16		3				
015	252286-4	COLLARED HEX.LOCK NUT M5-8		1				
016	240177-1	FAN 110		1				
017	519580-0	ROTOR ASS'Y		1				
D10		INC. 18,19						
018	210040-2	BALL BEARING 698LLU		1				
019	211157-4	BALL BEARING 695ZZ		1				
020	629292-8	STATOR		1				
021	266490-9	TAPPING SCREW PT 2X6		3				
022	652069-6	FLAT HEAD SCREW M3X6		3				
023	620B77-7	CONTROLLER		1				
024	183M64-8	MOTOR HOUSING SET		1				
D10		INC. 28						
025	266130-9	TAPPING SCREW BIND PT 3X16		2				
026	459700-3	CAP		1				
027	266130-9	TAPPING SCREW BIND PT 3X16		3				
028	183M64-8	MOTOR HOUSING SET		1				
D10		INC. 24						
029	266130-9	TAPPING SCREW BIND PT 3X16		4				
030	183M74-5	HOUSING SET		1				
C10	263005-3	RUBBER PIN 6		2				
C20	806D81-4	CAUTION LABEL		1				
D10		INC. 1						
031	856D71-7	DUB184 NAME PLATE		1				

Please order the parts with part number.

Print Date 19/8/2019

Model No.DUB184 CORDLESS BLOWER

Item	Parts No.	Description	I/C	Qty	New/Old	Opt. 1	Opt. 2	Note
032	266130-9	TAPPING SCREW BIND PT 3X16		9				
033	251570-4	HEX.SOCKET HEAD BOLT M5X30		2				
034	459701-1	FRONT NOZZLE		1				
A01	783202-0	HEX. WRENCH 4		1				
A02	166094-6	SHOULDER BELT		1				
A03	456957-7	EXTENSION NOZZLE		1				
A04	456958-5	FLAT NOZZLE		1				
A05	191B21-6	ADAPTER PIPE 80-72 SET		1				
A07B	***DC18RC	DC18RC FAST CHARGER		1				
D10		COMPO-PARTS						
A08B	197280-8	BATTERY BL1850B SET		1				
E01	807811-2	SOUND 96DB LABEL		1				

Please order the parts with part number.

Print Date 19/8/2019