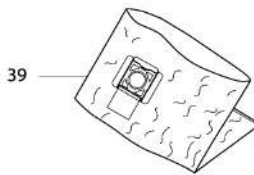
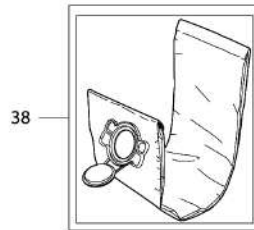
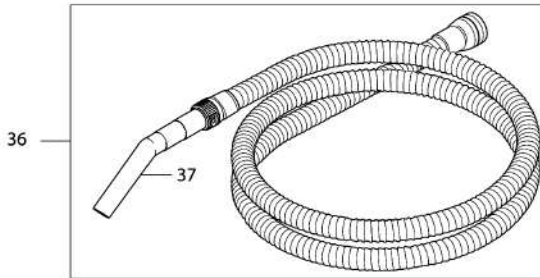
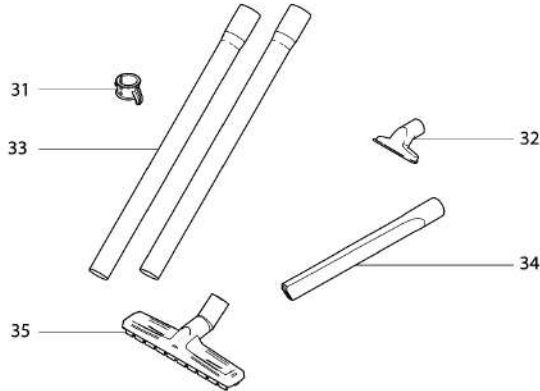
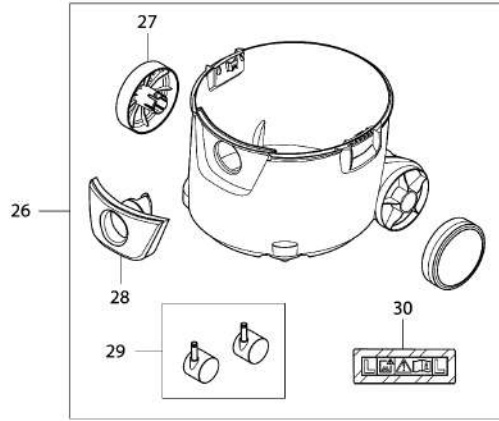
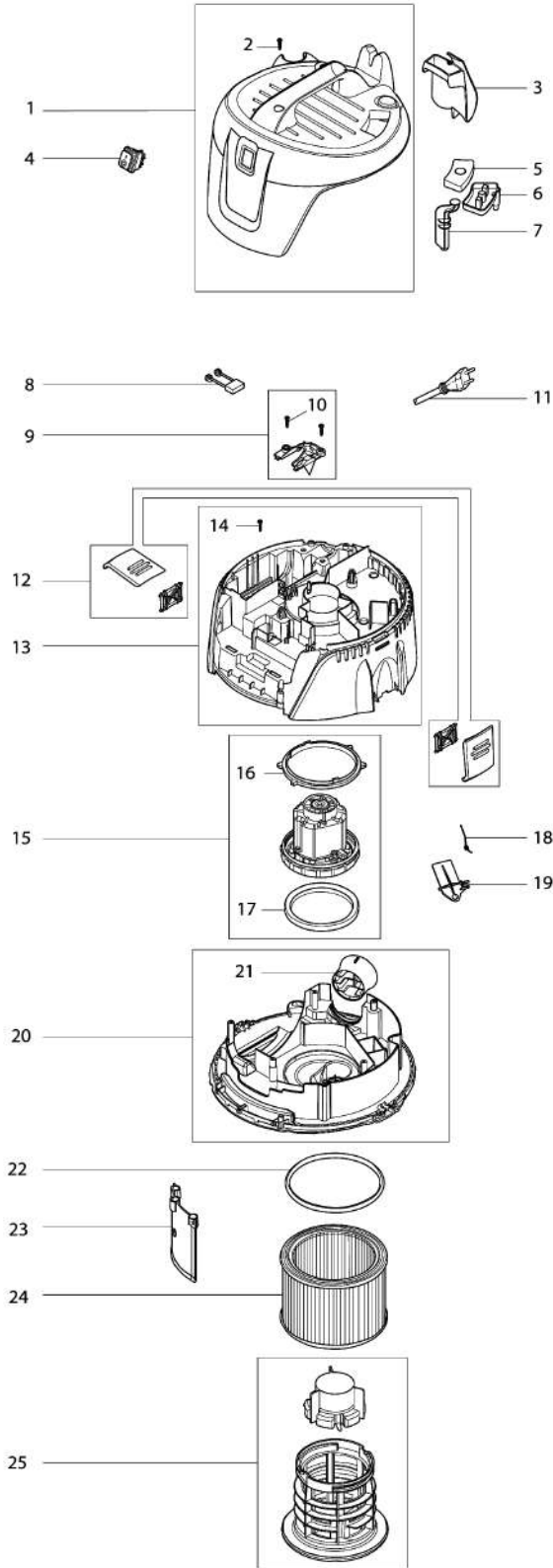


Model No.VC2000L VACUUM CLEANER



Model No.VC2000L VACUUM CLEANER

| Item | Parts No. | Description | I/C | Qty | New/Old | Opt. 1 | Opt. 2 | Note |
|-------|------------|--------------------------------|-----|-----|---------|--------|--------|------|
| 001 | W107419618 | COVER | | 1 | | | | |
| D10 | | INC. 2 | | | | | | |
| 002 | W302003704 | SCREW 5X18 TX20 | | 2 | * | | | |
| 002-1 | W302004029 | SCREW 5X18 TX20 | O | 2 | | | | |
| 003 | W107409981 | HOSE AND CABLE HOOK | | 1 | | | | |
| 004 | W107404540 | SWITCH O-I | | 1 | | | | |
| 005 | W107409183 | DEDUSTING KNOB | | 1 | | | | |
| 006 | W107409127 | P&C DRAIN HOUSING | | 1 | | | | |
| 007 | W107409128 | DEDUTING ROD | | 1 | | | | |
| 008 | W107404542 | CAPACITOR 0.1 MICRO FARAD | | 1 | | | | |
| 009 | W107409125 | CABLE OUTLET | | 1 | | | | |
| D10 | | INC. 10 | | | | | | |
| 010 | W302003704 | SCREW 5X18 TX20 | | 2 | * | | | |
| 010-1 | W302004029 | SCREW 5X18 TX20 | O | 2 | | | | |
| 011 | W302002394 | POWER CORD CEE 7/7 | | 1 | | | | |
| 012 | W107409130 | KIT LOCKING CLAMP | | 2 | | | | |
| 013 | W107409132 | CLAMPING PLATE | | 1 | | | | |
| D10 | | INC. 14 | | | | | | |
| 014 | W302003704 | SCREW 5X18 TX20 | | 6 | * | | | |
| 014-1 | W302004029 | SCREW 5X18 TX20 | O | 6 | | | | |
| 015 | W107409160 | MOTOR 220-240V 1000 W | | 1 | | | | |
| D10 | | INC. 16,17 | | | | | | |
| 016 | W107409163 | UPPER MOTOR SEALING | | 1 | | | | |
| 017 | W107409164 | LOWER MOTOR SEALING | | 1 | | | | |
| 018 | W909100083 | TORSION SPRING | | 1 | | | | |
| 019 | W107409129 | DEDUSTING FLAP | | 1 | | | | |
| 020 | W107409166 | BASE PLATE WITH AIR OUTLET | | 1 | | | | |
| D10 | | INC. 21 | | | | | | |
| 021 | W107409167 | AIR OUTLET | | 1 | | | | |
| 022 | W107409165 | SEALING FILTER | | 1 | | | | |
| 023 | W107409159 | DEFLECTOR SHIELD | | 1 | | | | |
| 024 | P-70219 | FILTER ELEMENT | | 1 | | | | |
| 025 | W107402646 | KIT FILTER SUPPORT CAGE +FLOAT | | 1 | | | | |
| 026 | W107419619 | MAKITA CONTAINER 20L | | 1 | | | | |
| D10 | | INC. 27-30 | | | | | | |
| 027 | W107409170 | WHEEL D130 | | 2 | | | | |
| 028 | W107409169 | INLET FITTING >VC2512L< | | 1 | | | | |
| 029 | W140642250 | KIT CASTOR WHEELS 50MM | | 1 | | | | |
| 030 | W302004200 | LABEL >DUST CLASS L< | | 1 | | | | |
| 031 | W107409979 | TUBE HOLDER KIT | | 1 | | | | |
| 032 | W000014295 | NOZZLE UNIVERSAL | | 1 | | | | |

Please order the parts with part number.

Print Date 5/11/2020

Model No.VC2000L VACUUM CLEANER

| Item | Parts No. | Description | I/C | Qty | New/Old | Opt. 1 | Opt. 2 | Note |
|------|------------|---------------------------------|-----|-----|---------|--------|--------|------|
| 033 | P-72942 | SUCTION TUBE 35X520MM 2PCS. | | 1 | | | | |
| 034 | W000029541 | CREVICE NOZZLE | | 1 | | | | |
| 035 | W107402706 | FLOOR NOZZLE 36X260MM | | 1 | | | | |
| 036 | P-81739 | SUCTION HOSE D32X3500 W/TUBE | | 1 | | | | |
| D10 | | INC. 37 | | | | | | |
| 037 | W107413340 | HAND TUBE WITH REGULATION | | 1 | | | | |
| 038 | P-72899 | FILTER BAG | | 1 | | | | |
| 039 | P-70297 | DISPOSAL BAG | | 1 | | | | |

Please order the parts with part number.

Print Date 5/11/2020