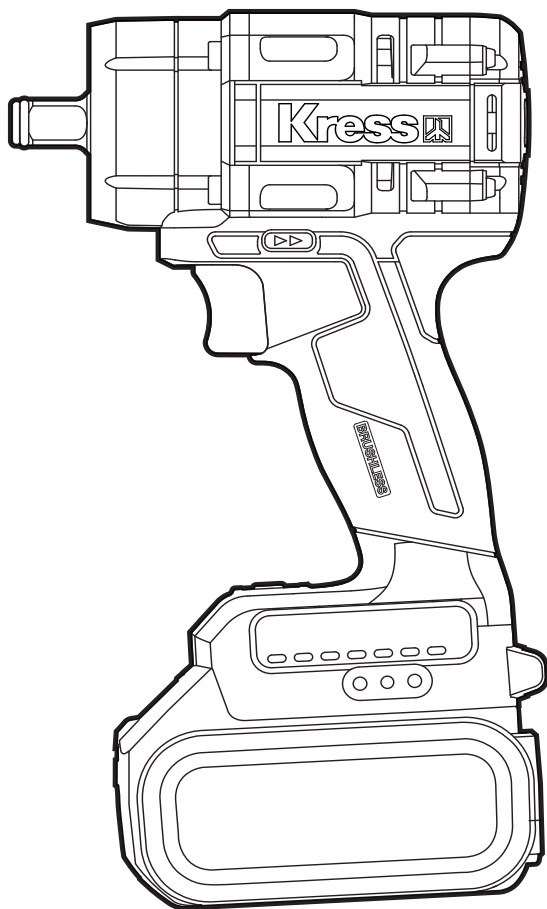


# Kress



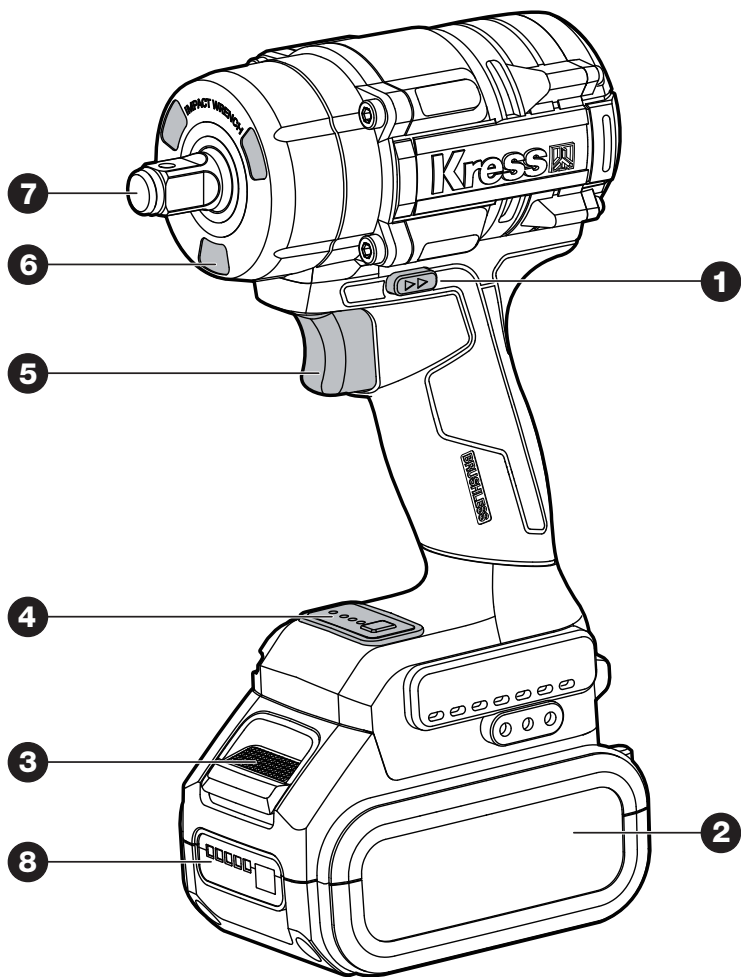
Lithium-Ion brushless impact wrench

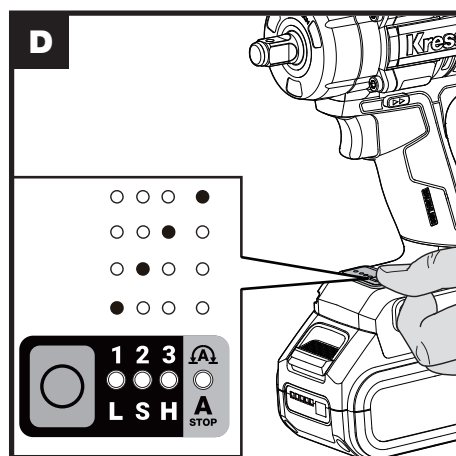
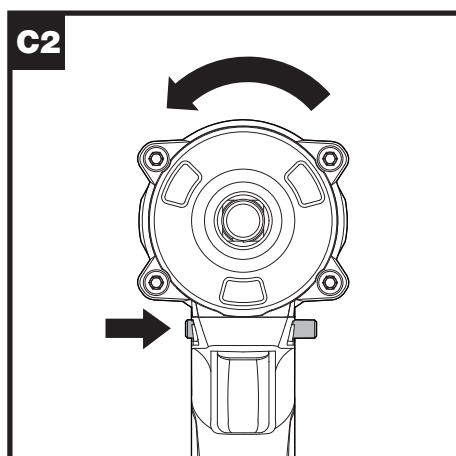
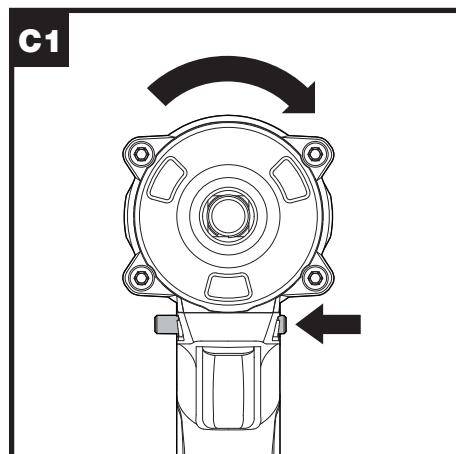
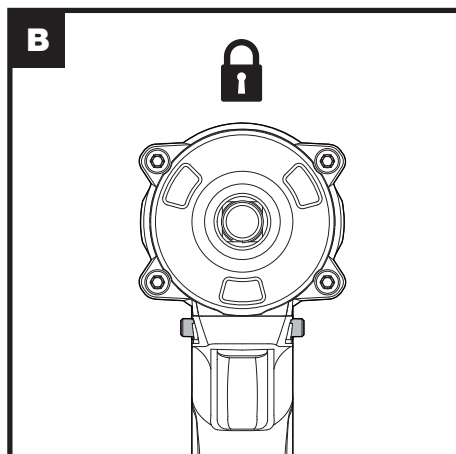
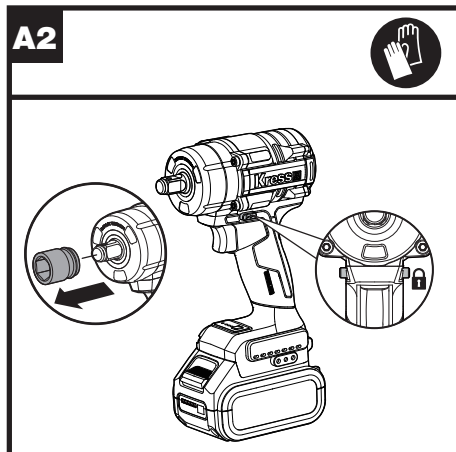
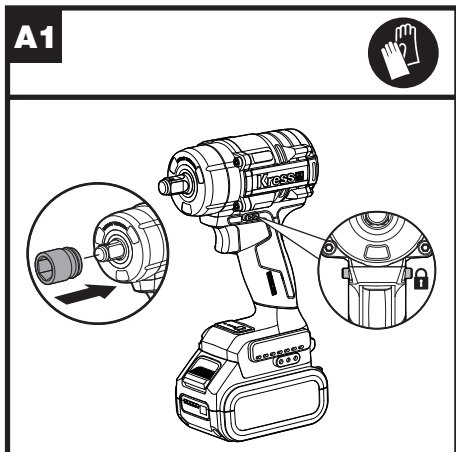
EN P05

Аккумуляторный бесщеточный ударный гайковерт

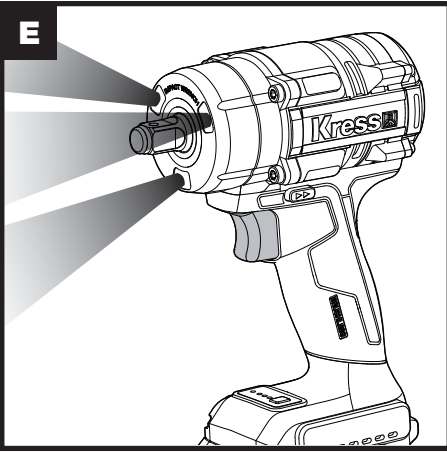
RU P10

**KH276 KH276.X**





E




# ORIGINAL INSTRUCTIONS

## PRODUCT SAFETY

### GENERAL POWER TOOL

### SAFETY WARNINGS

 **WARNING** Read all safety warnings, instructions, illustrations and specifications provided with this power tool. Failure to follow all instructions listed below may result in electric shock, fire and/or serious injury.

#### Save all warnings and instructions for future reference.

The term "power tool" in the warnings refers to your mains-operated (corded) power tool or battery-operated (cordless) power tool.

#### 1) Work area safety

- a) **Keep work area clean and well lit.** Cluttered or dark areas invite accidents.
- b) **Do not operate power tools in explosive atmospheres, such as in the presence of flammable liquids, gases or dust.** Power tools create sparks which may ignite the dust or fumes.
- c) **Keep children and bystanders away while operating a power tool.** Distractions can cause you to lose control.

#### 2) Electrical safety

- a) **Power tool plugs must match the outlet. Never modify the plug in any way. Do not use any adapter plugs with earthed (grounded) power tools.** Unmodified plugs and matching outlets will reduce risk of electric shock.
- b) **Avoid body contact with earthed or grounded surfaces, such as pipes, radiators, ranges and refrigerators.** There is an increased risk of electric shock if your body is earthed or grounded.
- c) **Do not expose power tools to rain or wet conditions.** Water entering a power tool will increase the risk of electric shock.
- d) **Do not abuse the cord. Never use the cord for carrying, pulling or unplugging the power tool. Keep cord away from heat, oil, sharp edges or moving parts.** Damaged or entangled cords increase the risk of electric shock.
- e) **When operating a power tool outdoors, use an extension cord suitable for outdoor use.** Use of a cord suitable for outdoor use reduces the risk of electric shock.
- f) **If operating a power tool in a damp location is unavoidable, use a residual current device (RCD) protected supply.** Use of an RCD reduces the risk of electric shock.

#### 3) Personal safety

- a) **Stay alert, watch what you are doing and use common sense when operating a power tool. Do not use a power tool while you are tired or under the influence of drugs, alcohol or medication.** A moment of

inattention while operating power tools may result in serious personal injury.

- b) **Use personal protective equipment. Always wear eye protection.** Protective equipment such as dust mask, non-skid safety shoes, hard hat, or hearing protection used for appropriate conditions will reduce personal injuries.
- c) **Prevent unintentional starting. Ensure the switch is in the off-position before connecting to power source and/or battery pack, picking up or carrying the tool.** Carrying power tools with your finger on the switch or energising power tools that have the switch on invites accidents.
- d) **Remove any adjusting key or wrench before turning the power tool on.** A wrench or a key left attached to a rotating part of the power tool may result in personal injury.
- e) **Do not overreach. Keep proper footing and balance at all times.** This enables better control of the power tool in unexpected situations.
- f) **Dress properly. Do not wear loose clothing or jewellery. Keep your hair and clothing away from moving parts.** Loose clothes, jewellery or long hair can be caught in moving parts.
- g) **If devices are provided for the connection of dust extraction and collection facilities, ensure these are connected and properly used.** Use of dust collection can reduce dust-related hazards.
- h) **Do not let familiarity gained from frequent use of tools allow you to become complacent and ignore tool safety principles.** A careless action can cause severe injury within a fraction of a second.
- 4) **Power tool use and care**
  - a) **Do not force the power tool. Use the correct power tool for your application.** The correct power tool will do the job better and safer at the rate for which it was designed.
  - b) **Do not use the power tool if the switch does not turn it on and off.** Any power tool that cannot be controlled with the switch is dangerous and must be repaired.
  - c) **Disconnect the plug from the power source and/or remove the battery pack, if detachable, from the power tool before making any adjustments, changing accessories, or storing power tools.** Such preventive safety measures reduce the risk of starting the power tool accidentally.
  - d) **Store idle power tools out of the reach of children and do not allow persons unfamiliar with the power tool or these instructions to operate the power tool.** Power tools are dangerous in the hands of untrained users.
  - e) **Maintain power tools and accessories. Check for misalignment or binding of moving parts, breakage of parts and any other condition that may affect the power tool's operation. If damaged, have the power tool repaired before use.** Many

accidents are caused by poorly maintained power tools.

- f) **Keep cutting tools sharp and clean.**  
Properly maintained cutting tools with sharp cutting edges are less likely to bind and are easier to control.
- g) **Use the power tool, accessories and tool bits etc. in accordance with these instructions, taking into account the working conditions and the work to be performed.** Use of the power tool for operations different from those intended could result in a hazardous situation.
- h) **Keep handles and grasping surfaces dry, clean and free from oil and grease.**  
Slippery handles and grasping surfaces do not allow for safe handling and control of the tool in unexpected situations.

#### 5) Battery tool use and care

- a) **Recharge only with the charger specified by the manufacturer.** A charger that is suitable for one type of battery pack may create a risk of fire when used with another battery pack.
  - b) **Use power tools only with specifically designated battery packs.** Use of any other battery packs may create a risk of injury and fire.
  - c) **When battery pack is not in use, keep it away from other metal objects, like paper clips, coins, keys, nails, screws or other small metal objects, that can make a connection from one terminal to another.**  
Shorting the battery terminals together may cause burns or a fire.
  - d) **Under abusive conditions, liquid may be ejected from the battery; avoid contact. If contact accidentally occurs, flush with water. If liquid contacts eyes, additionally seek medical help.** Liquid ejected from the battery may cause irritation or burns.
  - e) **Do not use a battery pack or tool that is damaged or modified.** Damaged or modified batteries may exhibit unpredictable behaviour resulting in fire, explosion or risk of injury.
  - f) **Do not expose a battery pack or tool to fire or excessive temperature.** Exposure to fire or temperature above 130 °C may cause explosion.
  - g) **Follow all charging instructions and do not charge the battery pack or tool outside the temperature range specified in the instructions.** Charging improperly or at temperatures outside the specified range may damage the battery and increase the risk of fire.
- 6) **Service**
- a) **Have your power tool serviced by a qualified repair person using only identical replacement parts.** This will ensure that the safety of the power tool is maintained.
  - b) **Never service damaged battery packs.** Service of battery packs should only be performed by the manufacturer or authorized service providers.

## SCREWDRIVER AND IMPACT WRENCH SAFETY WARNING










- 1. **Hold power tool by insulated gripping surfaces, when performing an operation where the fastener may contact hidden wiring. Fasteners contacting a "live" wire may make exposed metal parts of the power tool "live" and could give the operator an electric shock.**

## SAFETY WARNINGS FOR BATTERY PACK

- a) **Do not dismantle, open or shred cells or battery pack.**
- b) **Do not short-circuit a battery pack. Do not store battery packs haphazardly in a box or drawer where they may short-circuit each other or be short-circuited by conductive materials.** When battery pack is not in use, keep it away from other metal objects, like paper clips, coins, keys, nails, screws or other small metal objects, that can make a connection from one terminal to another. Shorting the battery terminals together may cause burns or a fire.
- c) **Do not expose battery pack to heat or fire. Avoid storage in direct sunlight.**
- d) **Do not subject battery pack to mechanical shock.**
- e) **In the event of battery leaking, do not allow the liquid to come into contact with the skin or eyes. If contact has been made, wash the affected area with copious amounts of water and seek medical advice.**
- f) **Keep battery pack clean and dry.**
- g) **Wipe the battery pack terminals with a clean dry cloth if they become dirty.**
- h) **Battery pack needs to be charged before use. Always refer to this instruction and use the correct charging procedure.**
- i) **Do not maintain battery pack on charge when not in use.**
- j) **After extended periods of storage, it may be necessary to charge and discharge the battery pack several times to obtain maximum performance.**
- k) **Recharge only with the charger specified by Kress. Do not use any charger other than that specifically provided for use with the equipment.**
- l) **Do not use any battery pack which is not designed for use with the equipment.**
- m) **Keep battery pack out of the reach of children.**
- n) **Retain the original product literature for future reference.**
- o) **Remove the battery from the equipment when not in use.**
- p) **Dispose of properly.**
- q) **Do not mix cells of different manufacture, capacity, size or type within a device.**
- r) **Keep the battery away from microwaves**

- and high pressure.  
 s) **Warning! Do not use non-rechargeable batteries.**

## SYMBOLS


	To reduce the risk of injury, user must read instruction manual
	Warning
	Wear ear protection
	Wear eye protection
	Wear dust mask
	Do not burn
	Batteries may enter water cycle if disposed improperly, which can be hazardous for ecosystem. Do not dispose of waste batteries as unsorted municipal waste.
	Wear protective gloves
	Li-Ion battery This product has been marked with a symbol relating to 'separate collection' for all battery packs and battery pack. It will then be recycled or dismantled in order to reduce the impact on the environment. Battery packs can be hazardous for the environment and for human health since they contain hazardous substances.

## COMPONENT LIST

1. FORWARD/REVERSE ROTATION CONTROL
2. BATTERY PACK \*
3. BATTERY PACK RELEASE BUTTON \*
4. SPEED ADJUSTMENT BUTTON
5. ON/OFF SWITCH
6. LED LIGHT
7. COLLET LOCKING SLEEVE
8. BATTERY CAPACITY INDICATOR

\* Not all the accessories illustrated or described are included in standard delivery.

## TECHNICAL DATA

	KH276 KH276.X**
Voltage	20V  MAX***
Rated no load speed	0-1800/2400/2900/min
Rated impact rate	0-2000/2700/3300bpm
Max torque	700Nm/850Nm
Chuck capacity	1/2" (12.7mm)
Machine weight	1.3kg

\*\* X – ranges from 1 to 99, indicating variations in accessories. Key specifications remain unchanged.  
 \*\*\* Voltage measured without workload. Initial battery voltage reaches maximum of 20 volts. Nominal voltage is 18 volts

## SUGGESTED BATTERIES AND CHARGERS

Category	Type	Capacity
20V Battery	KAB34	4.0Ah
	KAB35	5.0Ah
	KAB24	6.0Ah
20V Charger	KAC20	2A
	KAC21	6A



We recommend that you purchase your accessories listed in the above list from the same store that sold you the tool. Refer to the accessory packaging for further details. Store personnel can assist you and offer advice.

# OPERATING INSTRUCTIONS



**NOTE:** Before using the tool, read the instruction book carefully.

## Assembly and Operation

ACTION	FIGURE
<b>ASSEMBLY</b>	
Inserting and Removing Socket	See Fig. A1,A2
<b>OPERATION</b>	
Forward/reverse rotation control  <b>Warning: Never change the direction of rotation when the chuck is rotating, wait until it has stopped!</b>	See Fig. B, C1, C2
<b>Intelligent Mode</b> <b>L:</b> Low Speed <b>S:</b> Slow speed after loosened (Reverse deceleration) <b>H:</b> High Speed  <b>Reverse deceleration:</b> When the machine is in reverse deceleration gear, the machine will automatically reduce its speed and the nut will slowly retract the moment the nut is loosened; <b>Reverse self-stop:</b> When the machine is in reverse self-stop gear, the machine stops automatically the moment the nut is loosened. <b>Forward rotation self-stop:</b> When the machine is in forward rotation self-stop gear, the machine stops automatically the moment the nut is tightened.	See Fig. D
Operating the on/off switch  <b>Warning: Do not operate for long periods at low speed because excess heat will be produced internally.</b>	See Fig. E

## LED light indicator

The LED will be lit when the switch is pressed. When the switch is released, the LED will automatically go out in 15 seconds.

This tool and the battery are both provided with the auto power-off protection system. In case of any fault, the LED will flicker regularly. In this case, the protection system actuates and system will disconnect the power supply automatically to extend the service life of the battery.

Any of the following conditions may trigger the auto power-off protection:

- **Overloaded:** Tools are overloaded when they are running, the current is too high. In this case, release the switch, stop the operation leading to tool overload, and restart the switch.
- **Overheat:** In the case above, if the tool is not started, the tool and battery may be overheated. In this case, cool the tool and battery pack before starting the switch again.
- **Low battery voltage:** The tool does not work when the remaining capacity is too low. In this case, dismantle and replace the battery pack.



**Warning:** To turn on the light, press the On/Off switch and make sure the Forward/Reverse Rotation Control is on right/left position.

## PROBLEM SOLUTION

### 1. REASONS FOR DIFFERENT BATTERY PACK WORKING TIMES

Charging time problems, as above, and having not used a Battery Pack for a prolonged time will reduce the Battery Pack working time. This can be corrected after several charge and discharge operations by charging & working with your drill. Heavy working conditions such as large screws into hard wood will use up the Battery Pack energy faster than lighter working conditions. Do not re-charge your Battery Pack below 0°C and above 40°C as this will affect performance.

## MAINTENANCE

**Remove the battery pack from the tool before carrying out any adjustment, servicing or maintenance.**

There are no user serviceable parts in your power tool. Never use water or chemical cleaners to clean your power tool. Wipe clean with a dry cloth. Always store your power tool in a dry place. Keep the motor ventilation slots clean. Keep all working controls free of dust.

## FOR BATTERY TOOLS

The operating temperature of tools and battery is -20°C - 60°C.

The storage temperature of tools and battery is 0°C - 45°C.

The recommended ambient temperature range for the charging system during charging is 0°C-40°C.


## ENVIRONMENTAL PROTECTION



### **Disposal**

The machine, its accessories and packaging materials should be sorted for environmentally friendly recycling. The plastic components are labeled for categorized recycling.

# ORIGINAL INSTRUCTIONS PRODUCT SAFETY ОБЩИЕ ПРАВИЛА ТЕХНИКИ БЕЗОПАСНОСТИ ПРИ РАБОТЕ С ЭЛЕКТРОИНСТРУМЕНТОМ

 **ПРЕДОСТЕРЕЖЕНИЕ!** Внимательно ознакомьтесь с инструкциями и предостережениями по технике безопасности. Невыполнение всех нижеприведенных инструкций и рекомендаций может привести к поражению электрическим током, пожару и серьезным травмам.

**Сохраните все предостережения и инструкции для дальнейшего пользования.**

В дальнейшем термин "электроинструмент" используется как для работающего от сети (проводного) электроинструмента, так и для электроинструмента, работающего от аккумулятора (беспроводного).

## 1. БЕЗОПАСНОСТЬ НА РАБОЧЕМ МЕСТЕ

- a) **Содержите рабочее место в чистоте и хорошо освещенным.** Загроможденные и плохо освещенные зоны способствуют возникновению несчастных случаев.
- b) **Не работайте с инструментом во взрывоопасной атмосфере, в присутствии воспламеняемых жидкостей, газов или пыли.** Возникающие при работе электроинструмента искры могут привести к воспламенению горючих веществ.
- c) **При работе с инструментом дети и посторонние должны находиться на безопасном расстоянии.** Отвлечение внимания может привести к потере вами контроля.

## 2. ЭЛЕКТРОБЕЗОПАСНОСТЬ

- a) **Штепсельные вилки электроинструментов должны соответствовать розеткам. Никогда никоим образом не изменяйте соединительную вилку. При заземленных электроинструментах не используйте никаких переходников.** Неизменные вилки и соответствующие розетки снижают риск поражения электротоком.
- b) **Избегайте физического контакта с заземленными поверхностями, такими, как трубы, радиаторы, плиты и холодильники.** Риск поражения электротоком повышается, если ваше тело будет заземлено.
- c) **Не подвергайте электроинструменты воздействию дождя или высокой влажности.** Попадание воды в электроинструмент повышает опасность

поражения электротоком.

- d) **Правильно обращайтесь с электрокабелем. Никогда не используйте кабель для переноски электроинструмента, а также не тяните за кабель для выключения из розетки. Держите кабель на безопасном расстоянии от источников тепла, масла, острых кромок и движущихся частей.** Поврежденные или запутанные кабели повышают риск поражения электротоком.
- e) **При работе с электроинструментом вне помещений используйте удлинители, которые предназначены для работы на открытом воздухе.** Это снижает риск поражения электротоком.
- f) **При использовании электроинструмента во влажном помещении его необходимо подключать к электросети через устройство защитного отключения (УЗО).** Использование УЗО снижает риск поражения электротоком.

## 3. ЛИЧНАЯ БЕЗОПАСНОСТЬ

- a) **Будьте внимательны: следите за тем, что вы делаете, и руководствуйтесь здравым смыслом, работая с электроинструментом. Не используйте электроинструмент, если вы устали или находитесь под воздействием сильнодействующих средств, алкоголя или медикаментов.** Потеря внимания даже на короткое мгновение при работе с электроинструментом может привести к серьезным травмам.
- b) **Используйте индивидуальные средства защиты. Всегда надевайте средства защиты глаз.** Такие средства защиты, как респиратор, нескользящая защитная обувь, каска или защитные наушники, используемые в соответствующих условиях, снижают риск получения травм.
- c) **Предотвращайте случайный запуск электроинструмента. Убедитесь, что выключатель находится в положении "Выключено" перед подключением к электросети и / или аккумуляторной батарее, сборкой или переносом электроинструмента.** Переноска инструмента с пальцем на кнопке пуска или включение в сеть электроинструмента с включенным выключателем способствует несчастному случаю.
- d) **Удаляйте все регулировочные приспособления или гаечные ключи перед включением электроинструмента.** Оставленные на вращающихся деталях электроинструмента, они могут привести к травме.
- e) **Не перенапрягайтесь. Постоянно занимайте устойчивое положение и поддерживайте равновесие.** Это позволяет лучше контролировать электроинструмент в непредвиденных ситуациях.
- f) **Одевайтесь надлежащим образом. Не надевайте свободную одежду**

или украшения. Держите волосы, одежду и перчатки на расстоянии от движущихся частей. Свободную одежду, украшения или длинные волосы может затянуть в движущиеся части.

- g) **Используйте предусмотренные средства и устройства для сбора и удаления пыли, если инструмент оснащен таковыми.** Использование таких средств может снизить опасности, связанные с пылью.
- h) **Не позволяйте осведомленности, полученной в результате частого использования инструментов, заставить вас расслабиться и игнорировать принципы техники безопасности при работе с инструментом.** Неосторожное действие может привести к серьезным травмам в течение доли секунды.

#### 4. ИСПОЛЬЗОВАНИЕ ЭЛЕКТРОИНСТРУМЕНТА И УХОД ЗА НИМ

- a) **Не перегружайте электроинструмент. Используйте подходящий инструмент для каждой определенной цели.** Правильно подобранный электроинструмент выполнит работу лучше и надежнее на уровне, для которого он предназначен.
- b) **Не используйте электроинструмент, если выключатель невозможно включить или выключить.** Любой электроинструмент, который невозможно контролировать выключателем, представляет опасность и должен быть отремонтирован.
- c) **Отсоедините штепсель от электросети и / или аккумуляторную батарею от электроинструмента перед проведением каких-либо настроек, сменой насадок или хранением электроинструмента.** Подобные предохранительные меры снижают опасность случайного пуска электроинструмента.
- d) **Храните не использующиеся электроинструменты в местах, недоступных для детей. Не разрешайте работать с электроинструментом лицам, которые не знают его особенностей или не ознакомлены с данной инструкцией.** Электроинструменты в руках необученных пользователей представляют опасность.
- e) **Поддерживайте электроинструмент в исправном состоянии. Проверяйте инструмент на предмет смещения или заедания движущихся частей, поломки деталей или любых иных неисправностей, могущих повлиять на работу электроинструмента. В случае повреждения следует отремонтировать электроинструмент перед применением.** Многие несчастные случаи вызваны плохим уходом за электроинструментом.
- f) **Режущий инструмент должен быть заточенным и чистым.** При поддержании

режущих инструментов в надлежащем состоянии и с острыми режущими кромками вероятность их заклинивания уменьшается и ими легче управлять.

- g) **Используйте электроинструмент, принадлежности, сверла и т. п. в соответствии с данными инструкциями, специфичной конкретного типа электроинструмента, учитываемая условия работы и выполняемую задачу.** Использование электроинструмента для иных операций, помимо тех, для которых он предназначен, может привести к возникновению опасной ситуации.
  - h) **Ручки и поверхности для захвата должны быть сухими, чистыми и без следов масла и смазки.** Скользкие ручки и поверхности для захвата не позволяют безопасно обращаться с инструментом и контролировать его в непредвиденных ситуациях.
- #### 5. ИСПОЛЬЗОВАНИЕ АККУМУЛЯТОРНОГО ИНСТРУМЕНТА И УХОД ЗА НИМ
- a) **Производите подзарядку аккумулятора только при помощи оригинального зарядного устройства.** Зарядное устройство, которое подходит для одного типа аккумуляторной батареи, может привести к пожару, когда используется с другим типом аккумуляторной батареи.
  - b) **Используйте аккумуляторный инструмент только с оригинальными аккумуляторами.** Использование любого другого типа аккумулятора может привести к травме или пожару.
  - c) **Неиспользуемые аккумуляторные батареи храните отдельно от металлических предметов, таких как скрепки для бумаги, монеты, ключи, гвозди, винты и тому подобное, которые могут замкнуть контакты батареи.** Замыкание контактов аккумуляторной батареи может привести к ожогам или пожару.
  - d) **В критических ситуациях из аккумулятора может вытекать жидкость – избегайте контакта с ней. Если жидкость все же попала на поверхность кожи, смойте ее большим количеством воды. При попадании жидкости в глаза срочно обратитесь за медицинской помощью.** Жидкость, вытекающая из аккумулятора, может вызвать раздражение или ожоги.
  - e) **Не используйте аккумуляторную батарею или инструмент, который поврежден или модифицирован.** Поврежденные или модифицированные аккумуляторные батареи могут срабатывать непредсказуемым образом, что может привести к пожару, взрыву или риску получения травмы.
  - f) **Не подвергайте аккумуляторную батарею или инструмент воздействию огня или чрезмерно высокой температуры.** Воздействие огня или

температуры выше 130 °C может привести к взрыву.

- g) Следуйте всем инструкциям по зарядке и не заряжайте аккумулятор или инструмент вне диапазона температур, указанного в инструкциях.** Неправильная зарядка или температура, выходящая за пределы указанного диапазона, может повредить аккумулятор и повысить риск возгорания.

## **6. СЕРВИСНОЕ ОБСЛУЖИВАНИЕ**

- a) Ремонт электроинструмента должен выполняться квалифицированным персоналом с использованием только оригинальных запасных частей.** Это гарантирует безопасность его использования.
- b) Никогда не обслуживайте поврежденные аккумуляторы.** Обслуживание аккумуляторных батарей должно выполняться только производителем или авторизованными поставщиками сервисных услуг.

# **МЕРЫ ПРЕДОСТОРОЖНОСТИ ПРИ РАБОТЕ С ШУРУПОВЕРТОМ И УДАРНЫМ ГАЙКОВЕРТОМ**

- 1. Во время выполнения работ, при которых средства крепления могут коснуться скрытой проводки, держите электроинструмент за изолированные поверхности. При контакте средств крепления с проводами под напряжением открытые металлические детали электроинструмента могут оказывать под напряжением, что способно стать причиной поражения электрическим током.**

# **ПРАВИЛА ТЕХНИКИ БЕЗОПАСНОСТИ ДЛЯ АККУМУЛЯТОРНОЙ БАТАРЕИ**

- a) Не допускается разбирать, вскрывать, измельчать элементы питания и аккумуляторную батарею.**
- b) Не допускается накоротко замыкать элементы питания или аккумулятор. Не допускается беспорядочно хранить элементы питания или аккумулятор в коробке или ящике, где они могут замкнуть друг друга или могут быть замкнуты другими металлическими предметами. Если аккумуляторная батарея**

не используется, держите ее подальше от металлических предметов, таких как зажимы, монеты, гвозди, винты и прочие металлические предметы небольшого размера, которые могут соединить клеммы друг с другом. Короткое замыкание клемм батареи может стать причиной ожогов или пожара.

- c) Не допускается подвергать аккумуляторную батарею воздействию высоких температур или пламени. Избегайте хранения аккумуляторной батареи в местах, подверженных воздействию прямого солнечного света.**
- d) Не допускается подвергать аккумуляторную батарею механическим ударам**
- e) В случае протечки аккумуляторной батареи, не доускайте контакта электролита с кожей или глазами. В случае такого контакта необходимо промыть пораженный участок обильным количеством воды и обратиться за медицинской помощью.**
- f) Аккумуляторную батарею необходимо содержать в чистоте и сухости.**
- g) В случае загрязнения контактов аккумуляторной батареи их необходимо протереть чистой сухой тканью.**
- h) Аккумуляторную батарею необходимо заряжать перед использованием. Всегда следуйте данной инструкции и используйте правильный порядок зарядки.**
- i) Не допускается оставлять аккумулятор на зарядном устройстве, если он не используется.**
- j) После продолжительного хранения может потребоваться несколько раз зарядить и разрядить аккумуляторную батарею для достижения максимальной эффективности ее работы.**
- k) Используйте только зарядные устройства, указанные Kress. Не допускается использовать какие-либо зарядные устройства, за исключением специально предназначенных для данного оборудования.**
- l) Не допускается использовать какие-либо аккумуляторные батареи, не предназначенные для использования с данным оборудованием.**
- m) Храните аккумуляторную батарею в местах, недоступных для детей.**
- n) Следует сохранить оригинальную документацию на изделие для будущего использования.**
- o) По возможности извлекайте аккумуляторную батарею из изделия, если она не используется.**
- p) Утилизируйте аккумуляторную батарею должным образом.**
- q) Не используйте аккумуляторы сторонних производителей**
- r) Берегите аккумулятор от воздействия**

- с) СВЧ-излучения и высокого давления.  
**Предупреждение! Не используйте перезаряжаемые батареи.**

## УСЛОВНЫЕ ОБОЗНАЧЕНИЯ

	Для сокращения риска травмы пользователь должен прочитать руководство по эксплуатации инструмента
	Предостережение
	Носите защиту органов слуха
	Носите защиту органов зрения
	Носите пылезащитную маску
	Запрещается сжигать
	При неправильной утилизации батареи могут попасть в круговорот воды в природе, что может быть опасным для экосистемы. Запрещается утилизировать использованные батареи как несортированные бытовые отходы.
	Используйте защитные перчатки
	Литий-ионная аккумуляторная батарея. Этот продукт был отмечен символом, относящимся к «раздельному сбору отходов» для всех аккумуляторов и батарей. Данная батарея должна быть переработана или утилизирована должным образом, чтобы уменьшить воздействие на окружающую среду. Аккумуляторы могут быть опасными для окружающей среды и здоровья человека, поскольку они содержат вредные вещества.

## ПЕРЕЧЕНЬ КОМПОНЕНТОВ

1. ПЕРЕКЛЮЧАТЕЛЬ ВРАЩЕНИЯ ВПЕРЕД / ОБРАТНОГО ВРАЩЕНИЯ
2. АККУМУЛЯТОРНАЯ БАТАРЕЯ\*
3. КНОПКА ВЫСВОБОЖДЕНИЯ АККУМУЛЯТОРНОЙ БАТАРЕИ\*
4. КНОПКА РЕГУЛИРОВКИ СКОРОСТИ
5. ПЕРЕКЛЮЧАТЕЛЬ ВКЛ./ВЫКЛ.
6. СВЕТОДИОДНЫЙ СВЕТ
7. ФИКСИРУЮЩАЯ ВТУЛКА ЦАНГОВОГО ЗАЖИМА
8. ИНДИКАТОР ЗАРЯДА АККУМУЛЯТОРНОЙ БАТАРЕИ

\* Не все показанные или описанные аксессуары включены в стандартную поставку.

## ТЕХНИЧЕСКИЕ ДАННЫЕ

	КН276 КН276.X **
Номинальное напряжение	20V  Макс.***
Скорость без нагрузки	0-1800/2400/2900/мин
Скорость ударного воздействия	0-2000/2700/3300уд/мин
Максимальный крутящий момент	700Нм/850Нм
Наибольший диаметр изделия, зажимаемого в патроне	1/2" (12.7мм)
Вес инструмента (без аккумулятора)	1.3кг

\*\* X – варьируется от 1 до 99, указывая на различия в аксессуарах. Ключевые характеристики остаются неизменными.

\*\*\* Напряжение измеряется без нагрузки. Начальное напряжение аккумулятора достигает максимум 20 вольт. Номинальное напряжение - 18 вольт.

# РЕКОМЕНДУЕМЫЕ АККУМУЛЯТОРЫ И ЗАРЯДНЫЕ УСТРОЙСТВА

Категория	Тип	Ёмкость
20В Аккумуляторная батарея	KAB34	4.0Ah
	KAB35	5.0Ah
	KAB24	6.0Ah
Зарядное устройство 20В	KAC20	2А
	KAC21	6А

Мы рекомендуем вам приобрести аксессуары в том же магазине, где вам продали инструмент. Для получения дополнительной информации см. упаковку. Сотрудники магазина смогут помочь вам и дать совет.

## ИНСТРУКЦИИ ПО ЭКСПЛУАТАЦИИ



**ПРИМЕЧАНИЕ:** Перед использованием инструмента внимательно прочитайте инструкцию.

### СБОРКА И ЭКСПЛУАТАЦИЯ

ДЕЙСТВИЕ	РИСУНОК
<b>СБОРКА</b>	
Установка и снятие патрона	См. Рис. А1, А2
<b>ЭКСПЛУАТАЦИЯ</b>	
Переключатель вращения вперед / обратного вращения <b>ПРЕДОСТЕРЕЖЕНИЕ:</b> Запрещается менять направление вращения, когда зажимной патрон вращается. Подождите, пока он остановится!	См. Рис. В, С1, С2

### Интеллектуальный режим

**L:** низкая скорость

**S:** медленная скорость после ослабления (обратное замедление:)

**H:** высокая скорость

### Замедление при обратном

**вращении:** когда инструмент находится в режиме замедления при обратном вращении, он автоматически снижает скорость, и гайка начинает медленно отворачиваться в момент ее ослабления;

**Автоматическая остановка в режиме реверса:** когда инструмент находится в режиме автоматической остановки при реверсивном вращении, он автоматически останавливается в момент ослабления гайки.

**Автоматическая остановка при вращении вперед:** когда инструмент находится в режиме автоматической остановки при вращении вперед, он автоматически останавливается в момент завершения затяжки гайки.

См. Рис. D

Работа с переключателем вкл./выкл.




**ПРЕДОСТЕРЕЖЕНИЕ:**  
Не работайте в течение длительного времени на низкой скорости, потому что внутри инструмента будет вырабатываться избыточное количество тепла.

См. Рис. E

### Индикатор подсветки

Индикатор горит при нажатом переключателе. При отпускании переключателя индикатор автоматически гаснет через 15 секунд. Этот инструмент и аккумулятор оснащены системой защиты от автоматического отключения питания. В случае неисправности индикатор регулярно мигает. В этом случае срабатывает система защиты, которая автоматически отключает питание, чтобы продлить срок службы аккумулятора. Причины срабатывания системы защиты от автоматического отключения питания:

- **Перегрузка:** инструмент работает таким образом, что он потребляет аномально высокий ток. В этом случае отпустите пусковой выключатель на инструменте и прервите операцию, которая вызвала перегрузку инструмента. Затем снова потяните пусковой выключатель, чтобы возобновить работу.
- **Перегрев:** при описанных выше условиях, если инструмент не запускается, это означает, что инструмент и аккумуляторная батарея перегреваются. Дайте инструменту и аккумулятору остыть, прежде чем снова нажимать на пусковой выключатель.
- **Низкое напряжение аккумулятора:** оставшаяся мощность аккумуляторной батареи слишком мала, и инструмент не будет работать. В таком случае, извлеките и зарядите аккумулятор.

 **ПРЕДОСТЕРЕЖЕНИЕ:** чтобы включить подсветку, нажмите на переключатель Вкл./Выкл. и убедитесь, что переключатель вращения вперед / обратного вращения находится в правом / левом положении.

## УСТРАНЕНИЕ НЕИСПРАВНОСТЕЙ

### 1. Причины непостоянного времени работы батареи.

Проблемы со временем зарядки и работы инструмента, могут возникать из-за длительного простоя аккумулятора. Данную проблему можно исправить после нескольких циклов заряда-разряда аккумулятора и работы с ним. Тяжелые условия работы, такие как заворачивание больших саморезов в дерево, требуют больше энергии от батареи и разряжают ее быстрее, нежели более легкие задачи. Не заряжайте вашу батарею при температуре ниже 0°C и выше 40°C, так как это может отразиться на ее производительности.

## ТЕХНИЧЕСКОЕ ОБСЛУЖИВАНИЕ

### Снимите аккумуляторную батарею с инструмента перед выполнением любых наладочных работ, технического обслуживания или ремонта.

В электроинструменте отсутствуют детали, подлежащие обслуживанию пользователем. Никогда не используйте воду или химические чистящие средства для чистки электроинструмента. Протирайте его сухой тканью. Всегда храните электроинструмент в сухом месте. Содержите в чистоте вентиляционные отверстия двигателя. Очищайте от пыли все рабочие органы управления.

## ДЛЯ АККУМУЛЯТОРНЫХ ИНСТРУМЕНТОВ

Рабочая температура инструментов и аккумулятора: от -20 °C до +60 °C.

Температура хранения инструментов и аккумулятора: от 0 °C до +45 °C.

Рекомендуемый диапазон температур окружающей среды для зарядной системы во время зарядки - 0°C-40°C.

## ОХРАНА ОКРУЖАЮЩЕЙ СРЕДЫ



### Переработка отходов

Машина, ее аксессуары и упаковочные материалы должны быть отсортированы для экологически чистой переработки. Пластиковые компоненты имеют маркировку для вторичной переработки.

---

**СТРАНА ТЕЛЕФОН ТЕХПОДДЕРЖКИ**

---

Россия 7 (495) 136-83-96



---

**EAC**

Импортер: ООО «КВТ Эксперт»

Адрес: 117246, г. Москва, вн. тер. г. Муниципальный округ Черемушки, проезд Научный, д. 19, помещ. 5Т

Телефон: +7 (499) 371-03-73

Электронная почта: [kvt@kvt-expert.ru](mailto:kvt@kvt-expert.ru)

Страна производства: КНР

Изготовитель: Позитек Технолоджи (КНР) Ко., Лтд.

Изготовитель: Positec Technology (China) Co., Ltd.

Адрес: Номер 18, Донванг Роуд, Сучжоу Индастриал Парк, Цзянсу, КНР

Адрес: No. 18, Dongwang Road, Suzhou Industrial Park, Jiangsu, P.R.China

Срок службы изделия: 6 лет

Срок гарантии: 2 года

Дата производства изделия: указана на изделии

Уполномоченное лицо для принятия претензий: ООО «ПОЗИТЕК- ЕВРАЗИЯ»

Адрес: Российская Федерация, 117342, г. Москва, ул. Бутлерова, д. 17, этаж 3 ком 67

Телефон сервисной службы ООО «ПОЗИТЕК- ЕВРАЗИЯ»: +7 (495) 136-83-96

Электронная почта: [service.ru@positecgroup.com](mailto:service.ru@positecgroup.com)

**Kress**