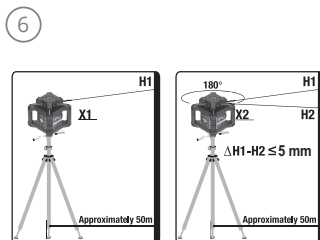
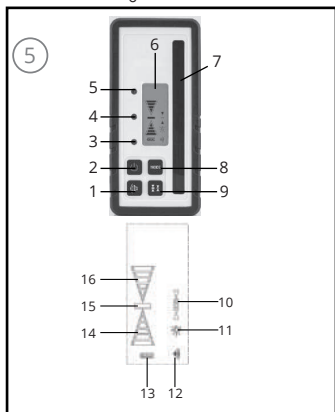
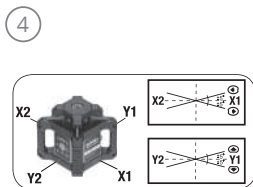
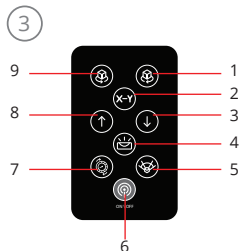
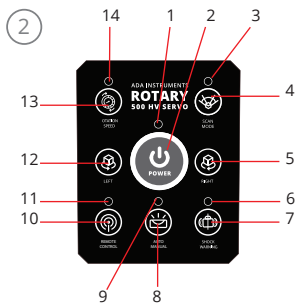
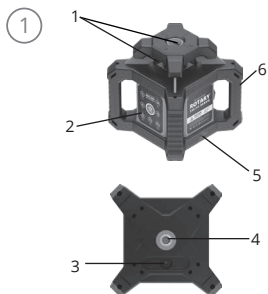




OPERATING MANUAL

ROTARY 500 HV SERVO / ROTARY 500 HV-G SERVO

Laser level



THE MANUFACTURE RESERVES THE RIGHT TO MAKE CHANGES (NOT HAVING AN IMPACT ON THE SPECIFICATIONS) TO THE DESIGN, COMPLETE SET WITHOUT GIVING PRIOR WARNING.

APPLICATION

ROTARY 500 HV Servo / ROTARY 500 HV - G Servo has been designed for use in most areas of construction, for example:

Laying foundations

Wall and fence construction

Laying sloped water and sewerage lines

Laying flooring

Hanging acoustic ceilings

Installing partitions and drywall

SPECIFICATIONS

Horizontal/Vertical

Beam accuracy± 0.1 mm/m

Self-leveling range±5°

Dust/water protectionIP65

Recommended working range

(diameter).....500 m diameter with laser detector

Laser source.....635 nm (500 HV SERVO)

520 nm (500 HV-G SERVO)

Laser class.....II

Tripod mount 2x5/8"

Rotational Speed (rpm)0 (stationary point), 120, 300, 600

Scanning function	0° (stationary point), 10°,45°, 90°,180°
Remote control distance	100 m
Remote control power supply	2 x AAA 1,5V batteries
Laser power supply	4xAA NI-MH batteries / 4xAA alkaline batteries / power supply DC 5.6V 700mA
Laser battery life	Approx. 18-20 hours of continu ous use
Laser detector power supply	1x9V alkaline battery
Laser detector battery life	50 hours of continuous use
Weight	2.4 kg with batteries
Dimensions (L x W x H), mm	200 x 200 x 200

①

LASER LEVEL

1. Laser output window
2. Keypad
3. Battery cover
4. 5/8" tripod thread
5. Battery charger jack
6. Handle

②

KEYPAD

1. Power Indicator
2. On/Off button
3. Scan mode Indicator
4. Scan mode
5. Clockwise Rotation button
6. Shock warning Indicator
7. Shock warning button
8. Auto/Manual button
9. Manual Indicator

10. On/Off button for remote operation
11. Remote operation Indicator
12. Counterclockwise Rotation button
13. Speed button
14. Speed indicator

FEATURES

1. Self-leveling electronic mechanism on slopes of $\pm 5^\circ$
2. 360° rotation generates a horizontal or vertical level plane
3. Generates an inclined plane of any angle in both the X and Y planes (manual mode)
4. Four variable speeds (0 /120/300/600 rpm)
5. Adjustable scan modes create visible laser lines
6. Plumb Down/Plumb Up lines
7. Standard tripod thread (5/8") for vertical or horizontal use, and for attachment to angle bracket
8. Work-site tough rubber bumpers and ergonomic handle
9. Remote Control and Laser Detector included
10. Remote control and laser detector

3

USING THE REMOTE CONTROL

The laser can be operated by remote control. The effective range of the remote control is 328 ft (100m). Press On/Off button both on the device and remote to start operation from the remote control.

1. Clockwise Rotation button
2. X/Y axis button
3. TILT button
4. Auto/Manual button
5. Scan Mode
6. On/Off button
7. Speed button
8. TILT button
9. Counterclockwise rotation button

OPERATING INSTRUCTIONS

To get the most out of your ROTARY 500 HV Servo / ROTARY 500 HV-G Servo, please adhere carefully to the following instructions.

NOTE: Avoid setting up the laser near heavy machinery or sources of vibration that may adversely affect the leveling of the Laser.

HORIZONTAL PLANE (AUTOMATIC MODE)

1. Place the instrument on a horizontal surface. Set up the tool on the tripod using a thread 5/8" on the bottom part of the device. The tool can compensate for up to $\pm 5^\circ$ from the horizontal plane.
2. Press On/Off button (№2 pic.2). The Power Indicator (№1 pic.2) will light up. If the instrument is out of range ($\pm 5^\circ$) the Manual indicator (№9, pic.2). will blink, the laser beams with not be projected and rotation will not begin. Turn off the tool and set up again.
3. Verify that the instrument is in automatic mode – the Manual indicator (№9, pic.2) will blink while self-levelling.
4. The tool is ready for work when the Power indicator (№1 pic.2) is lit, the Manual indicator (№9 pic.2) has stopped blinking, and the laser beams are projected. The instrument is now leveled and the laser head rotates clockwise at 600 rpm.
5. To make the beam more visible, change the rotating speed using the speed key (№13 pic.2), or use the Laser Detector to detect the laser beam.
6. Press Shock warning button (№7 pic.2) to automatically stop the laser beams while the unit is self-leveling. The laser beams will automatically restart when the unit is leveled.
7. You can use the remote control to control the instrument
8. To turn the instrument off, press On/Off button (№2 pic.2).

VERTICAL PLANE (AUTOMATIC MODE)

The tool can be set up to create a vertical laser line.

Note: To project a vertical plane in the automatic mode place the tool with the keypad up.

1. Place the tool on its side on the ground. Set up the tool on the tripod using a thread 5/8" on the side part of the device. Level the tool by adjusting the tripod legs. The device can compensate for a variance of up to $\pm 5^\circ$ from

the vertical plane.

2. Press the On/Off button (№2 pic.2). The Power indicator (№1 pic.2) will light up. If the tool is out of range ($\pm 5^\circ$) the Manual indicator (№9 pic.2) will start frequently blinking, the laser beams will not be projected and rotation will not begin. Please turn off the tool and set up it again.
3. Verify that the tool is in automatic mode – the Manual indicator (№9 pic.2) will be blinking during automatic self-leveling.
4. The tool is ready for operation when the Power indicator (№1 pic.2) is ON. The Manual indicator (№9 pic.2) has stopped blinking, and the laser beams are projected. The tool is now leveled and the laser head rotates clockwise at 600 rpm.
5. To make the beam more visible, change the rotating speed using the speed button (№13 pic.2), or use the laser detector to detect the laser beam.
6. Press Shock warning button (№7 pic.2) when the tool is inclined. There is no self-leveling in such mode and laser beams are not projected.
7. Use remote control to operate the tool at large distance.
8. Press On/Off button (№2 pic.2) to switch off the tool.

4 INCLINED PLANE (MANUAL MODE)

1. The tool can be set up to create inclined plane along one or two axis. Axis tilt control is possible only with the remote control. This is very helpful for laying inclined concrete surfaces, ensuring run-off from pathways, and laying water and sewage lines. Set up the instrument on the flat horizontal surface.
2. Press On/Off button (№2 pic.2). The power indicator (№1 pic.2) will light up.
3. Press the Auto/Manual button (№8 pic.2). When the Manual Indicator lights (№9 pic.2), the tool is in manual mode.
4. Press On/Off button (№2 pic.2) for remote operation. Remote operation indicator (№11 pic.2) lights up.
5. Press On/Off button on the remote control (№6 pic.3).
6. Choose the X & Y direction by pressing the X/Y axis button (№2 pic.3) on the remote control. The selected axis will be shown on the display of the remote.
7. Using the X-Axis and Y-Axis arrows (№8,3 pic.3), adjust the slope of the unit until it suits your requirements.
8. To make the beam more visible, change the rotating speed, change scanning mode, or use the laser detector to detect the laser beam.
9. To return to Automatic mode, press the Auto/Manual key (8 pic.2). The

Manual Indicator (№9 pic.2) will turn off.

10. To turn the instrument off, press On/Off button (№2 pic.2).

ROTATION SPEED CHANGE

The laser beam is more visible when the rotating speed is slow. Change the speed of the rotating laser head by pressing the Speed button. The default speed is 600 rpm. By pressing the Speed button (№13 pic.2) you can change the speed as follows: 0-120-300-600 rpm.

SCAN FUNCTION

The Scan function is used to limit the area covered by the laser beam, for safety reasons or to improve visibility and sensitivity. The smaller the scanned segment, the better it is visible. The default mode is 360°, which is provided by the horizontal or inclined beam throughout the work area or room. The Scan button (№4 pic.2) changes the mode as follows: 0°- 10°- 45°-90°- 180° .

1. Press the Scan button (№4 pic.2) to change the scan width.
2. The scan mark can be accurately positioned using the Clockwise (№5 pic.2) and Counterclockwise rotation buttons (№12 pic.2).

⑤ LASER DETECTOR

Laser detector increases the measurement range of the tool. Use the detector when the laser beam is poorly visible, e.g. outdoor or in bright light. When operating with the rod, set the detector on the rod with the help of mount.

1. Sound On/Off
2. ON/OFF power
3. Line over the Zero level Indicator
4. LED indicator - Zero level
5. Line below the Zero level Indicator
6. LCD display
7. Detector sensor
8. Backlight On/Off
9. Selection of detection accuracy
10. Accurate mode symbol
11. On/Off backlight symbol
12. On/Off sound symbol
13. Power indicator

14. Up direction indicator
15. Middle mark
16. Down direction indicator

USING THE LASER DETECTOR

Press the On/Off button (№2 pic.5) to turn on the detector.

Select the measurement mode (№2 pic.5). The symbol of the selected mode (№10 pic5) will be shown on the display: ± 1 mm, ± 2.5 mm, ± 5 mm.

Select the mute or sound mode (№1 pic.5). The sound symbol (№12 pic.5) will be shown on the display.

Turn the detection window (№7 pic.5) towards the laser beam and move the detector up and down following the direction of the arrow (№14, 16 pic. 5) on the LCD.

Lower the laser detector (№16 pic.5) if the arrow points down. You will hear a sound alarm.

Raise the laser detector if the arrow points up (№14 pic5.). You will hear a sound alarm.

The level marks on the sides of the laser detector are leveled with the laser beam when the mid mark is displayed on the display (№15 pic.5). You will hear a continuous sound alarm.

CARE AND CLEANING

- Store in a clean dry place, between 5°F – 131°F (-15°C – 55°C)
- Before moving or transporting the unit, ensure that it is turned off.
- If the instrument is wet, dry off with a dry cloth. Do not seal the laser in the carrying case until completely dry.
- Do not attempt to dry the instrument with fire or with an electric dryer.
- Do not drop the instrument, avoid rough treatment, and avoid constant vibration.
- Periodically check the calibration of the instrument.
- Clean with a soft cloth, slightly dampened with a soap and water solution. Do not use harsh chemicals, cleaning solvents or strong detergents.
- Keep the laser aperture clean by wiping it gently with a soft lintfree cloth.
- Keep the detection window of the Laser Detector clean by wiping it with a soft cloth moistened with glass cleaner.
- Remove batteries from the instrument during lengthy periods of non-use, and store in carrying case.
- Ensure that the tool is turned off before removing batteries.

6 HORIZONTAL PLANE CALIBRATION TEST

1. Set up the instrument approximately 150ft (50m) from a wall or a measuring staff.
2. Level the instrument as accurately as possible.
3. Position it so that the X-axis is pointing in the direction of the measuring staff or wall.
4. Turn on the tool.
5. Mark the height of the laser beam on the measuring staff or make a mark on the wall.
6. Rotate the instrument by 180°.
7. Mark the height of the laser beam on the measuring staff or make a new mark on the wall. The difference between the heights or marks should not exceed 15 mm.
8. Repeat this procedure for the Y axis.

POWER SUPPLY

ROTARY 500 HV SERVO / ROTARY 500 HV-G SERVO is supplied with rechargeable batteries and battery charger (AC/DC Converter).

Warning: Do not use ordinary batteries together with the charger. This may cause a malfunction.

1. Charge the rechargeable batteries when the power indicator flashes on the keypad.
2. Insert the plug of the battery charger into the battery charger jack (№5 pic1).
3. The indicator on the battery charger lights up in orange when charging. The indicator lights up in green when the battery is fully charged.
4. The batteries can be removed from the tool by unscrewing the screws of the battery compartment cover (№3 pic.1).

NOTE: The instrument can be operated while recharging.

LASER DETECTOR

1. Press the battery compartment lock and remove the battery compartment cover.
2. Remove the 9V alkaline battery.
3. Replace with a new 9V alkaline battery.

REMOTE CONTROL

The battery compartment is located in the back part of the remote control.

1. Slide off the battery compartment cover.
2. Remove the batteries.
3. Replace them with new "AAA" batteries.
4. Close the battery compartment cover.

WARRANTY

This product is warranted by the manufacturer to the original purchaser to be free from defects in material and workmanship under normal use for a period of two (2) years from the date of purchase.

During the warranty period, and upon proof of purchase, the product will be repaired or replaced (with the same or similar model at manufacturer's option), without charge for either parts or labour.

In case of a defect please contact the dealer where you originally purchased this product. The warranty will not apply to this product if it has been misused, abused or altered. Without limiting the foregoing, leakage of the battery, bending or dropping the unit are presumed to be defects resulting from misuse or abuse.

EXEMPTIONS FROM RESPONSIBILITY

The user of this product is expected to follow the instructions given in the operating manual. Although all instruments leave our warehouse in perfect condition and adjustment the user is expected to carry out periodic checks of the product's accuracy and general performance.

The manufacturer, or its representatives, assumes no responsibility for results of a faulty or intentional usage or misuse including any direct, indirect, consequential damage, and loss of profits. The manufacturer, or its representatives, assumes no responsibility for consequential damage, and loss of profits by any disaster (earthquake, storm, flood ...), fire, accident, or an act of a third party and/or a usage in other than usual conditions.

The manufacturer, or its representatives, assumes no responsibility for any damage, and loss of profits due to a change of data, loss of data and

interruption of business etc., caused by using the product or an unusable product. The manufacturer, or its representatives, assumes no responsibility for any damage, and loss of profits caused by usage other than explained in the operating manual.

The manufacturer, or its representatives, assumes no responsibility for damage caused by wrong movement or action due to connecting with other products.

WARRANTY DOESN'T EXTEND TO FOLLOWING GASES:

1. If the standard or serial product number will be changed, erased, removed or will be unreadable.
2. Periodic maintenance, repair or changing parts as a result of their normal runout.
3. All adaptations and modifications with the purpose of improvement and expansion of normal sphere of product application, mentioned in the service instruction, without tentative written agreement of the expert provider.
4. Service by anyone other than an authorized service center.
5. Damage to products or parts caused by misuse, including, without limitation, misapplication or negligence of the terms of service instruction.
6. Power supply units, chargers, accessories, wearing parts.
7. Products, damaged from mishandling, faulty adjustment, maintenance with low-quality and non-standard materials, presence of any liquids and foreign objects inside the product.
8. Acts of God and/or actions of third persons.
9. In case of unwarranted repair till the end of warranty period because of damages during the operation of the product, it's transportation and storing, warranty doesn't resume.

ПРОИЗВОДИТЕЛЬ ОСТАВЛЯЕТ ЗА СОБОЙ ПРАВО ВНОСИТЬ ИЗМЕНЕНИЯ НЕ ВЛИЯЮЩИЕ НА ТЕХНИЧЕСКИЕ ХАРАКТЕРИСТИКИ В КОНСТРУКЦИЮ, ВНЕШНИЙ ВИД И КОМПЛЕКТАЦИЮ БЕЗ УВЕДОМЛЕНИЯ

ПРИМЕНЕНИЕ

ROTARY 500 HV SERVO / 500 HV-G SERVO - это строительный ротационный нивелир оборудованный электронным компенсатором на сервоприводах. Используется для разметки при выполнении следующих работ:

Закладка фундамента

Возведение стен, перегородок и забора

Прокладка канализации

Укладка пола

Установка подвесных потолков

Прокладка коммуникаций и т.д.

ТЕХНИЧЕСКИЕ ДАННЫЕ

Точность горизонтального/

вертикального луча± 0.1мм/м

Диапазон самовыравнивания±5°

Класс пыли/влагозащитыIP65

Рабочий диапазон (диаметр)500 м диаметр с детектором

Лазерные излучатели.....635 нм (500 HV SERVO)

520 nm (500 HV-G SERVO)

Класс лазера.....II

Резьба под штатив.....2x5/8"

Скорость вращения (об/мин)0 (стационарная точка), 120,

300, 600

Функция сканирования	0° (стационарная точка), 10°,45°, 90°,180°
Расстояние работы пульта ДУ	100 м
Источник лазерного прибора	4xAA NI-MH батареи / 4xAA алкалиновые батареи / зарядное устройство DC 5.6V 700mA
Источник питания пульта	2xAAA 1,5B
Продолжительность работы	Приблизительно 18-20 часов непрерывной работы
Источник питания лазерного приемника	1x9B алкалиновая батарея
Продолжительность работы лазерного приемника	50 часов непрерывной работы
Вес	2.4 кг с батареями
Размеры (Д x Ш x В), мм	200 x 200 x 200

① **ЛАЗЕРНЫЙ УРОВЕНЬ**

1. Окно лазерного излучателя
2. Клавишная панель
3. Крышка батарейного отсека
4. Резьба под штатив 5/8"
5. Разъем для заряда батареи
6. Ручка

2 КЛАВИШНАЯ ПАНЕЛЬ

1. Индикация включения
2. Кнопка Вкл/Выкл.
3. Индикация включения режима сканирования
4. Режим сканирования
5. Кнопка вращения по часовой стрелке
6. Индикация отключения автоматического выравнивания после разгоризонтирования
7. Кнопка отключения автоматического выравнивания после разгоризонтирования
8. Кнопка Ручного/Автоматического режима работы
9. Индикация ручного режима управления
10. Кнопка вкл/выкл управления с пульта ду
11. Индикация включения управления с пульта ду
12. Кнопка вращения против часовой стрелки
13. Кнопка выбора скорости вращения
14. Индикатор выбора скорости вращения

ФУНКЦИОНАЛЬНЫЕ ХАРАКТЕРИСТИКИ ПРИБОРА

- Самовыравнивающийся электронный механизм на уклонах $\pm 5^\circ$
- При вращении лазера на 360° образуется горизонтальная или вертикальная плоскость
- Образование наклонной плоскости любого угла в плоскостях X и Y (ручной режим работы)
- 4 скорости (0 /120/300/600 об/мин)
- Настраиваемые режимы сканирования создают видимые лазерные линии

- Точка лазерного отвеса
- Стандартная резьба под штатив (5/8") для вертикального или горизонтального применения
- Защитные резиновые прокладки и эргономичная ручка
- Пульт ДУ и детектор лазерного излучения

3 ИСПОЛЬЗОВАНИЕ ПУЛЬТА ДУ

Ротационным лазерным нивелиром можно управлять с помощью пульта ДУ. Рабочее расстояние пульта ДУ составляет 100 м. Для начала работы с пультом нажмите кнопки «вкл/выкл. управления с пульта ДУ» на клавишной панели прибора (№10 рис.2) и пульта ДУ (№6 рис.3).

1. Кнопка вращения по часовой стрелке
2. Кнопка выбора осей X/Y
3. Кнопка направления наклона
4. Кнопка ручного/автоматического режима работы
5. Режим сканирования
6. Кнопка вкл/выкл. пульта ДУ
7. Кнопка выбора скорости вращения
8. Кнопка направления наклона
9. Кнопка вращения против часовой стрелки

РЕЖИМЫ РАБОТЫ

ГОРИЗОНТАЛЬНАЯ ПЛОСКОСТЬ (АВТОМАТИЧЕСКИЙ РЕЖИМ)

1. Установите прибор на горизонтальную поверхность. Для установки на штатив используйте резьбу 5/8" в нижней части прибора. Инструмент может компенсировать уклон от горизонтальной поверхности до $\pm 5^\circ$.
2. Нажмите на кнопку Вкл. (№2 рис.2). Загорится индикатор включения (№1 рис.2). Если инструмент установлен за пределы компенсации $\pm 5^\circ$ начинает часто мигать индикация ручного режима управления (№9, рис.2). Лазерные лучи перестают излучаться и вращение не начинается. Выключите ротационный нивелир и устраните наклон больше $\pm 5^\circ$.

3. Убедитесь, что включен автоматический режим работы. Индикация ручного режима работы (№9 рис.2) будет мигать, пока происходит автоматическое выравнивание.
4. Прибор готов к работе. Когда индикатор питания включен (№1 рис.2), индикация ручного режима работы (№9 рис.2) прекращает мигать и прибор излучает лазерные лучи. Теперь прибор выровнен и головка лазерного излучения вращается по часовой стрелке со скоростью 600 об/мин.
5. Чтобы лазерный луч был лучше виден, поменяйте скорость вращения при помощи кнопки изменения скорости (№13 рис.2), или используйте приемник лазерного излучения для обнаружения лазерного луча.
6. Нажмите на кнопку отключения автоматического выравнивания после разгоризонтирования (№7 рис.2). В этом режиме прибор не будет выравниваться при случайном разгоризонтировании и лазерные лучи перестают излучаться.
7. Для управления ротационным нивелиром на расстоянии вы можете использовать пульт ДУ.
8. Чтобы выключить ротационный нивелир, нажмите на кнопку Вкл/Выкл (№2 рис.2).

ВЕРТИКАЛЬНАЯ ПЛОСКОСТЬ (АВТОМАТИЧЕСКИЙ РЕЖИМ)

1. Ротационный лазерный нивелир может использоваться для создания вертикальной линии.
Внимание: для проецирования вертикальной плоскости в автоматическом режиме прибор нужно установить клавишной панелью вверх.
2. Поместите ротационный нивелир на поверхность боковой стороной. Для установки на штатив используйте резьбу 5/8" на боковой части прибора. Выровняйте инструмент с помощью ножек штатива. Ротационный нивелир может компенсировать уклон от вертикальной плоскости до $\pm 5^\circ$.
3. Нажмите на кнопку Вкл/Выкл. (№2 рис.2). Загорается индикация включения (№1 рис.2). Если инструмент установлен за пределы компенсации $\pm 5^\circ$ начинает часто мигать индикация ручного

- режима управления (№9 рис.2). Лазерные лучи перестают излучаться и вращение не начинается. Выключите ротационный нивелир и устраните наклон больше $\pm 5^\circ$.
4. Убедитесь, что включен автоматический режим работы. Индикация ручного режима работы (№9 рис.2) будет мигать, пока происходит автоматическое выравнивание.
 5. Прибор готов к работе, когда индикатор питания (№1 рис.2) включен. Индикация ручного режима работы (№9 рис.2) прекращает мигать и прибор излучает лазерные лучи. Теперь прибор выровнен и головка лазерного излучения вращается по часовой стрелке со скоростью 600 об/мин.
 6. Чтобы лазерный луч был лучше виден, поменяйте скорость вращения при помощи кнопки изменения скорости (№13 рис.2), или используйте приемник лазерного излучения для обнаружения лазерного луча.
 7. Нажмите на кнопку отключения автоматического выравнивания после разгоризонтирования (№7 рис.2). В этом режиме прибор не будет выравниваться при случайном разгоризонтировании и лазерные лучи перестают излучаться.
 8. Для управления ротационным нивелиром на расстоянии вы можете использовать пульт ДУ.
 9. Чтобы выключить ротационный нивелир, нажмите на кнопку Вкл/Выкл. (№2 рис.2).

4 НАКЛОННАЯ ПЛОСКОСТЬ (РУЧНОЙ РЕЖИМ РАБОТЫ)

1. Ротационный лазерный нивелир может создавать наклонную плоскость по одной или сразу двум осям. Управление наклона по осям возможно только с пульта ДУ. Используйте эту функцию при заливке бетона на наклонных поверхностях, при создании канализационного водостока. Установите прибор на ровную горизонтальную поверхность.
2. Нажмите на кнопку Вкл/Выкл. (№2 рис.2). Загорается индикация включения (№1 рис.2).
3. Нажмите на кнопку Автом/Ручного режима работы (№8 рис.2). Когда индикация ручного управления загорается (№9 рис.2) - ротационный нивелир находится в ручном режиме работы.
4. Нажмите кнопку вкл/выкл управления с пульта ДУ (№10 рис.2). При включении загорится индикатор включения управления с пульта ДУ (№11 рис.2).

5. На пульте ДУ нажмите кнопку включения (№6 рис.3).
6. Выберите направление X или Y, нажав на кнопку выбора осей (№2 рис.3) на пульте ДУ. На экране пульта отобразится выбранная ось.
7. С помощью стрелок «вверх и вниз» (№8,3 рис.3) настройте наклон прибора согласно вашим требованиям.
8. Чтобы лазерный луч был лучше виден, поменяйте скорость вращения, измените режим сканирования или используйте детектор лазерного излучения.
9. Для возврата в автоматический режим работы, нажмите на кнопку Автом/Ручной режим работы (8 рис.2). Индикация ручного управления погаснет (№9 рис.2).
10. Чтобы выключить ротационный нивелир, нажмите на кнопку Вкл/Выкл. (№2 рис.2).

ИЗМЕНЕНИЕ СКОРОСТИ ВРАЩЕНИЯ

Лазерный луч лучше виден, если скорость вращения низкая. Изменяйте скорость вращения лазерной головки с помощью кнопки Скорость вращения (№13 рис.2). Скорость по умолчанию 600 об/мин. Нажимая на кнопку Скорость вращения вы изменяете скорость следующим образом: 0-120-300-600 об/мин.

ФУНКЦИЯ СКАНИРОВАНИЯ

Функция сканирования применяется для ограничения области, покрытой лазерным лучом, для улучшения видимости и чувствительности. Чем меньше сканируемый сегмент, тем лучше он виден. По умолчанию сканирование составляет 360°, которое создает горизонтальный или наклонный луч по рабочей области или комнате. Кнопка Сканирование (№4 рис.2) изменяет сектор вращения: 0°-10°-45°-90°-180°.

1. Нажмите на кнопку Сканирование (№4 рис.2), чтобы изменить сектор сканирования.
2. Перемещайте отметку сканирования с помощью кнопок вращения По часовой (№5 рис.2) или Против часовой стрелки (№12 рис.2).

5 ДЕТЕКТОР ЛАЗЕРНОГО ИЗЛУЧЕНИЯ

Дальность измерения ротационного лазерного нивелира увеличива-

ется, если вы используете детектор лазерного излучения. Используйте детектор при плохой видимости лазерного луча. Например на улице или при ярком освещении. При работе с рейкой установите детектор на ней при помощи креплений.

1. Вкл/выкл звука
2. Вкл/Выкл прибора
3. Светодиодная индикация линия выше нулевого уровня
4. Светодиодная индикация нулевой уровень
5. Светодиодная индикация линия ниже нулевого уровня
6. ЖК-дисплей
7. Датчик приемника
8. Вкл/Выкл подсветки
9. Выбор точности обнаружения
10. Значок выбранной точности
11. Значок вкл/выкл подсветки дисплея
12. Значок включения вкл/выкл динамика
13. Индикатор заряда батареи
14. Указатель направления движения вверх
15. Указатель нулевой отметки
16. Указатель направления движения вниз

ИСПОЛЬЗОВАНИЕ ЛАЗЕРНОГО ДЕТЕКТОРА

Нажмите на кнопку Вкл/Выкл (№2 рис.5), чтобы включить детектор. Выберите точность измерения (№8 рис.5). На дисплее отобразится значок выбранного вами режима (№10 рис5) для поиска луча: ± 1 мм, ± 2.5 мм, ± 5 мм.

Выберите звуковой или бесшумный режим (№1 рис.5) При выборе звукового режима на дисплее отображается значок включенного динамика (№12 рис.5).

Поверните окошко обнаружения (№7 рис.5) по направлению к лазерному лучу и двигайте детектор вверх и вниз по направлению стрелок на дисплее (№14, 16 рис. 5). Опустите детектор, если стрелка указывает положение вниз (№16 рис.5). Раздается звуковой сигнал. Поднимите детектор, если стрелка указывает направление вверх (№14 рис5.)

Раздается звуковой сигнал.

Отметки на боковых сторонах детектора выравниваются с лазерным лучом, когда отметка середины отображается на дисплее (№15 рис.5). Раздается продолжительный звуковой сигнал.

ТЕХНИЧЕСКОЕ ОБСЛУЖИВАНИЕ И УКАЗАНИЯ

- Храните прибор в чистом сухом месте при температуре от -15°C до 55°C.
- Перед транспортировкой прибора убедитесь, что он выключен.
- Если прибор влажный, вытрите его насухо сухой тряпкой.
- Помещайте прибор в кейс только в сухом виде.
- Не сушите прибор с помощью огня или электрических приборов.
- Не кидайте и не роняйте прибор, избегайте постоянных вибраций.
- Регулярно проверяйте калибровку лазерного прибора.
- Протирайте прибор мягкой тряпкой, слегка смоченной мыльной водой. Не используйте агрессивные химикаты, очищающие растворители или очищающие моющие средства.
- Содержите апертуру лазера в чистоте. Протирайте ее мягкой тканью без ворса.
- Содержите окно обнаружения на лазерном детекторе в чистоте. Протирайте его мягкой тканью, увлажненной моющей жидкостью для стекла.
- Вынимайте батареи из прибора, если вы не будете его использовать долгое время, или собираетесь хранить в транспортировочном кейсе.
- Перед тем, как вынуть батареи, убедитесь, что прибор выключен.

КАЛИБРОВКА

Ротационный лазерный нивелир калибруется на заводе. Проверяйте калибровку всякий раз, когда вы уронили прибор или неправильно с ним обращались.

6 ПРОВЕРКА ГОРИЗОНТАЛЬНОЙ ПЛОСКОСТИ

1. Установите прибор на расстоянии 50 м от стены или измерительной рейки.
2. Как можно точнее выровняйте прибор.
3. Расположите его так, чтобы ось X была направлена на стену или измерительную рейку.
4. Включите прибор.
5. Отметьте высоту лазерного луча на рейке или сделайте отметку на стене.

6. Поверните прибор на 180°.
7. Отметьте высоту лазерного луча на рейке или сделайте отметку на стене. Разница в отметках высоты не должна превышать 15 мм.
8. Повторите эту же процедуру для оси Y.

ИСТОЧНИК ПИТАНИЯ

В комплект ротационного лазерного нивелира входят перезаряжаемые батареи и зарядное устройство (AC/DC Converter).

Внимание: Не используйте одновременно перезаряжаемые батареи и зарядное устройство. Это может привести к поломке прибора.

1. Зарядите перезаряжаемые батареи, если индикация питания мигает (№1 рис.2).
2. Подсоедините зарядное устройство в розетку.
3. Вставьте разъем в контактное гнездо (№5 рис1).
4. Индикатор на зарядном устройстве горит оранжевым светом, когда идет зарядка. Если перезаряжаемая батарея полностью заряжена, загорится зеленый индикатор.
5. Батареи можно вынуть из прибора, открутив винты в крышке батарейного отсека (№3 рис.1).

ВАЖНО: Вы можете работать с прибором во время его зарядки.

ЗАМЕНА БАТАРЕИ В ЛАЗЕРНОМ ДЕТЕКТОРЕ

1. Нажмите на фиксатор в батарейном отсеке и снимите крышку батарейного отсека.
2. Выньте батареи 9В.
3. Замените старые батареи на новые 9В.

ЗАМЕНА БАТАРЕЙ В ПУЛЬТЕ ДУ

Батарейный отсек располагается на обратной стороне пульта ДУ.

1. Снимите крышку батарейного отсека.
2. Выньте батареи.
3. Замените старые батареи на новые батареи типа "AAA".

4. Закройте крышку батарейного отсека.

ГАРАНТИЯ

Производитель предоставляет гарантию на продукцию покупателю в случае дефектов материала или качества его изготовления во время использования оборудования с соблюдением инструкции пользователя на срок 2 года со дня покупки. Во время гарантийного срока, при предъявлении доказательства покупки, прибор будет починен или заменен на такую же или аналогичную модель бесплатно. Гарантийные обязательства также распространяются и на запасные части.

В случае дефекта, пожалуйста, свяжитесь с дилером, у которого вы приобрели прибор. Гарантия не распространяется на продукт, если повреждения возникли в результате деформации, неправильного использования или ненадлежащего обращения.

Все вышеизложенные безо всяких ограничений причины, а также утечка батареи, деформация прибора являются дефектами, которые возникли в результате неправильного использования или плохого обращения.

ОСВОБОЖДЕНИЕ ОТ ОТВЕТСТВЕННОСТИ

Пользователю данного продукта необходимо следовать инструкциям, которые приведены в руководстве по эксплуатации. Даже, несмотря на то, что все приборы проверены производителем, пользователь должен проверять точность прибора и его работу.

Производитель или его представители не несут ответственности за прямые или косвенные убытки, упущенную выгоду или иной ущерб, возникший в результате неправильного обращения с прибором. Производитель или его представители не несут ответственности за косвенные убытки, упущенную выгоду, возникшие в результате катастроф (землетрясение, шторм, наводнение и т.д.), пожара, несчастных случаев, действия третьих лиц и/или использование прибора в необычных условиях.

Производитель или его представители не несут ответственности за косвенные убытки, упущенную выгоду, возникшие в результате изменения данных, потери данных и временной приостановки бизнеса и т.д., вызванных применением прибора.

Производитель или его представители не несут ответственности

за косвенные убытки, упущенную выгоду, возникшие в результате использования прибора не по инструкции.

ГАРАНТИЙНЫЕ ОБЯЗАТЕЛЬСТВА НЕ РАСПРОСТРАНЯЮТСЯ НА СЛЕДУЮЩИЕ СЛУЧАИ:

1. Если будет изменен, стерт, удален или будет неразборчив типовой или серийный номер на изделии;
2. Периодическое обслуживание и ремонт или замену запчастей в связи с их нормальным износом;
3. Любые адаптации и изменения с целью усовершенствования и расширения обычной сферы применения изделия, указанной в инструкции по эксплуатации, без предварительного письменного соглашения специалиста поставщика;
4. Ремонт или разборка, произведенная самостоятельно или уполномоченным на то сервисным центром;
5. Ущерб в результате неправильной эксплуатации, включая, но не ограничиваясь этим, следующее: использование изделия не по назначению или не в соответствии с инструкцией по эксплуатации на прибор;
6. На элементы питания, зарядные устройства, комплектующие, быстроснашиваемые и запасные части;
7. Изделия, поврежденные в результате небрежного отношения, неправильной регулировки, ненадлежащего технического обслуживания с применением некачественных и нестандартных расходных материалов, попадания жидкостей и посторонних предметов внутрь.
8. Воздействие факторов непреодолимой силы и/или действие третьих лиц;
9. В случае негарантийного ремонта прибора до окончания гарантийного срока, произошедшего по причине полученных повреждений в ходе эксплуатации, транспортировки или хранения, и не возобновляется.

ГАРАНТИЙНЫЙ ТАЛОН

Наименование изделия и модель _____

Серийный номер _____ Дата продажи _____

Наименование торговой организации _____

Штамп торговой организации мп.

Гарантийный срок эксплуатации приборов составляет 24 месяца со дня продажи.

В течении гарантийного срока владелец имеет право на бесплатный ремонт изделия по неисправностям, являющимся следствием производственных дефектов.

Гарантийные обязательства действительны только по предъявлении оригинального талона, заполненного полностью и четко (наличие печати и штампа с наименованием и формой собственности продавца обязательно).

Техническое освидетельствование приборов (дефектация) на предмет установления гарантийного случая производится только в авторизованной мастерской.

Производитель не несет ответственности перед клиентом за прямые или косвенные убытки, упущенную выгоду или иной ущерб, возникшие в результате выхода из строя приобретенного оборудования.

Правовой основой настоящих гарантийных обязательств является действующее законодательство, в частности, Федеральный закон РФ "О защите прав потребителя" и Гражданский кодекс РФ ч.II ст. 454-491. Товар получен в исправном состоянии, без видимых повреждений, в полной комплектности, проверен в моем присутствии, претензий по качеству товара не имею. С условиями гарантийного обслуживания ознакомлен и согласен.

Подпись получателя _____

Перед началом эксплуатации внимательно ознакомьтесь с инструкцией по эксплуатации!

По вопросам гарантийного обслуживания и технической поддержки обращаться к продавцу данного товара



ADA International Group Ltd., No.6 Building, Hanjiang West Road #128,
Changzhou New District, Jiangsu, China

Made In China

adainstruments.com

