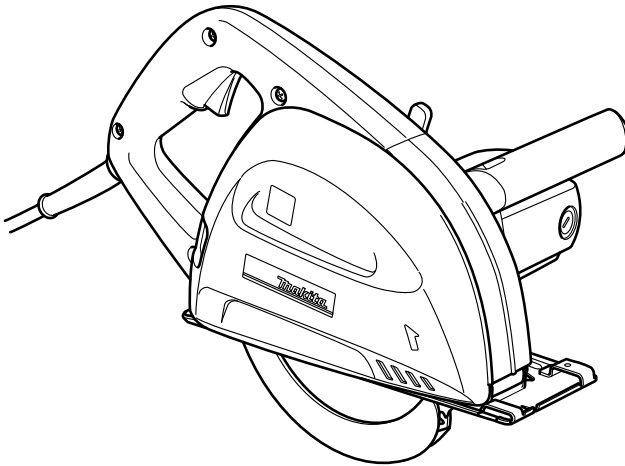
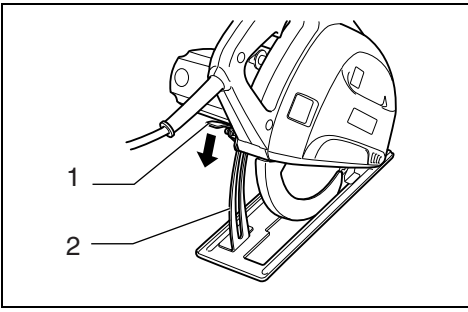




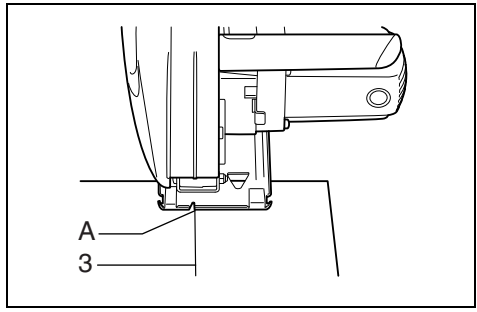
GB	Metal cutter	Instruction Manual
F	Scie Circulaire à Métaux	Manuel d'instructions
D	Metall-Handkreissäge	Betriebsanleitung
I	Troncatrice per metallo	Istruzioni per l'uso
NL	Metaalzaag	Gebruiksaanwijzing
E	Cortador de Metal	Manual de instrucciones
P	Cortadora de Metal	Manual de instruções
DK	Metalskæremaskine	Brugsanvisning
GR	Κόπτης μετάλλων	Οδηγίες χρήσεως

4131

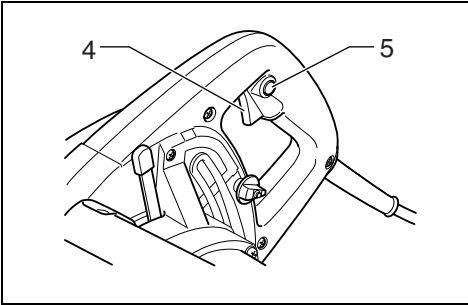




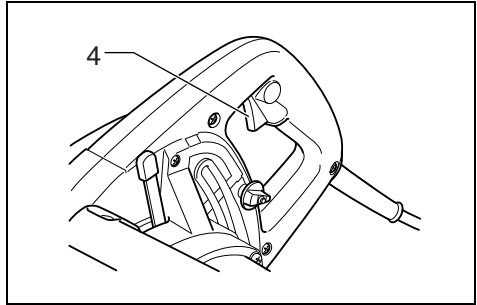
1 005344



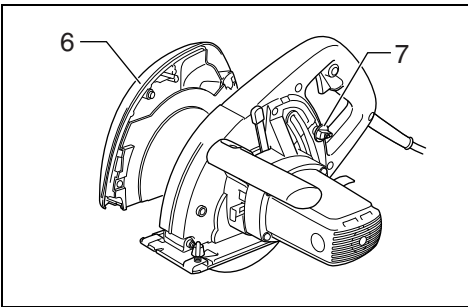
2 005345



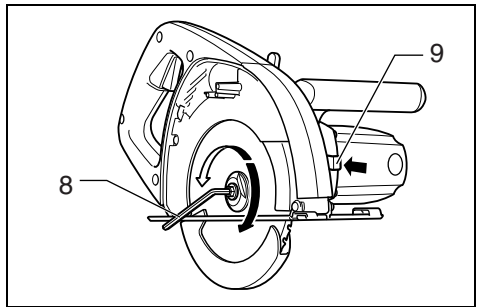
3 005346



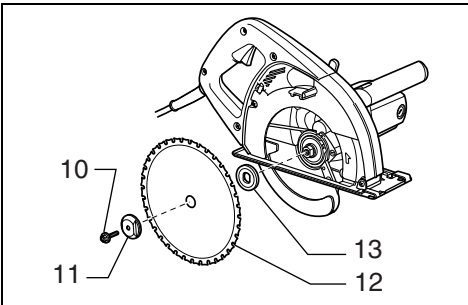
4 015655



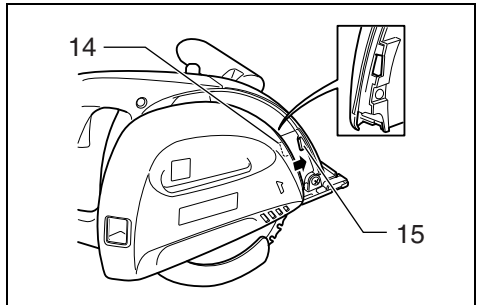
5 005347



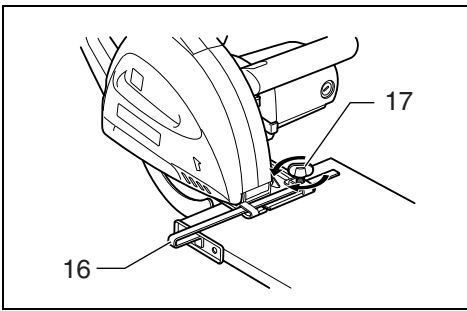
6 005348



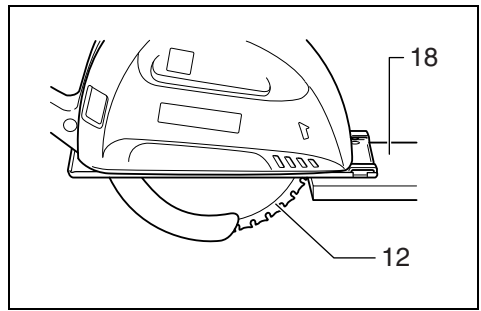
7 005349



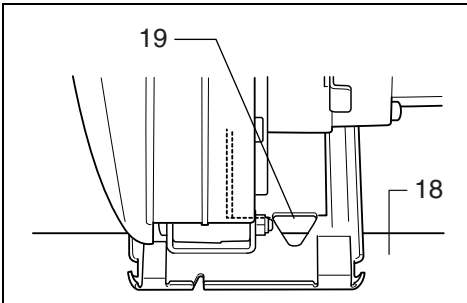
8 005350



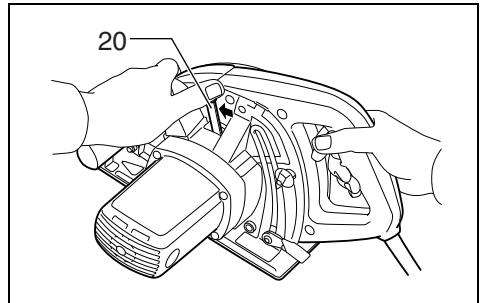
9 005351



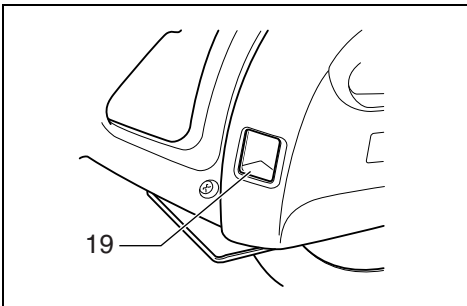
10 005352



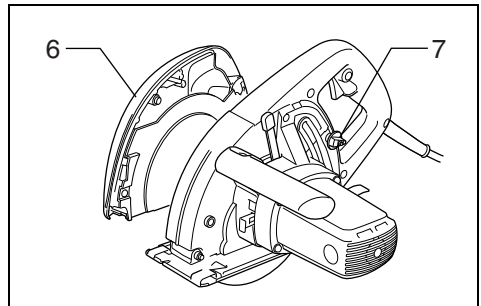
11 005353



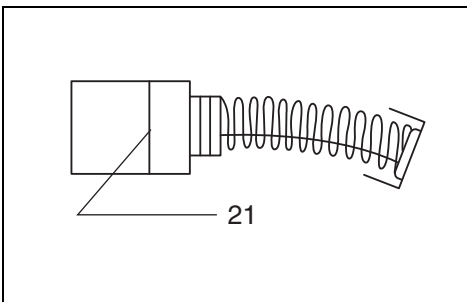
12 005354



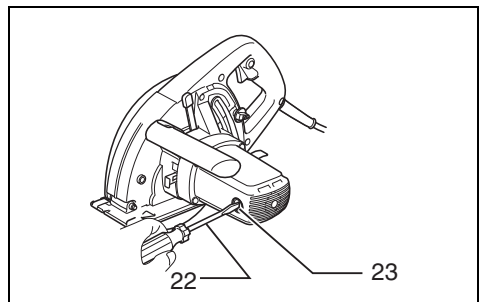
13 005355



14 005347



15 001145



16 005356

Symbols

The following show the symbols used for the equipment. Be sure that you understand their meaning before use.

Symboles

Nous donnons ci-dessous les symboles utilisés pour l'équipement. Assurez-vous que vous en avez bien compris la signification avant d'utiliser l'outil.

Simbolo

Die folgenden Symbole werden für das Gerät verwendet. Machen Sie sich vor der Benutzung unbedingt mit ihrer Bedeutung vertraut.

Simboli

Per questa apparecchiatura vengono usati i simboli seguenti. Bisogna capire il loro significato prima di usare l'utensile.

Symbolen

Voor dit apparaat worden de volgende symbolen gebruikt. Zorg ervoor dat u de betekenis van deze symbolen begrijpt alvorens het gereedschap te gebruiken.

Símbolos

A continuación se muestran los símbolos utilizados con este aparato. Asegúrese de que entienda su significado antes de usarlo.

Símbolos

O seguinte mostra os símbolos utilizados para os aparelho. Certifique-se de que compreende o seu significado antes da utilização.

Symboler

I det følgende vises de symboler, som anvendes til udstyret. Vær sikker på, at De har forstået symbolernes betydning, før maskinen anvendes.

Σύμβολα

Ta ακόλουθα δείχνουν τα σύμβολα που χρησιμοποιούνται για τον εξοπλισμό. Βεβαιωθείτε ότι καταλαβαίνετε τη σημασία τους πριν από τη χρήση.



- Read instruction manual.
- Lire le mode d'emploi.
- Bitte Bedienungsanleitung lesen.
- Leggete il manuale di istruzioni.
- Lees de gebruiksaanwijzing.

- Lea el manual de instrucciones.
- Leia o manual de instruções.
- Læs brugsanvisningen.
- Διαβάστε τις οδηγίες χρήσης.



- DOUBLE INSULATION
- DOUBLE ISOLATION
- DOPPELT SCHUTZISOLIERT
- DOPPIO ISOLAMENTO
- DUBBELE ISOLATIE

- DOBLE AISLAMIENTO
- DUPLO ISOLAMENTO
- DOBBELT ISOLERET
- ΔΙΠΛΗ ΜΟΝΩΣΗ



- Wear safety glasses.
- Portez des lunettes de sécurité.
- Schutzbrille tragen.
- Indossare occhiali di sicurezza.
- Draag een veiligheidsbril.

- Ρόngase gafas de seguridad.
- Use óculos de segurança.
- Bær sikkerhedsbriller.
- Φοράτε γυαλιά ασφαλείας.



- Pay attention! It may become too hot.
- Prenez garde ! Il y a risque de brûlure.
- Achtung! Kann sehr heiß werden.
- Attenzione! Può diventare estremamente caldo.
- Let op! Kan zeer heet zijn.

- ¡Preste atención! Podrá calentarse mucho.
- Tenha cuidado! Pode ficar muito quente.
- Vær agtpågivende! Den kan blive for varm.
- Προσέχετε! Μπορεί να υπερθερμανθεί.



- Only for EU countries

Due to the presence of hazardous components in the equipment, used electrical and electronic equipment may have a negative impact on the environment and human health.

Do not dispose of electrical and electronic appliances with household waste!

In accordance with the European Directive on waste electrical and electronic equipment and its adaptation to national law, used electrical and electronic equipment should be collected separately and delivered to a separate collection point for municipal waste, operating in accordance with the environmental protection regulations.

This is indicated by the symbol of the crossed-out wheeled bin placed on the equipment.

- Pour les pays de l'Union européenne uniquement

En raison de la présence de composants dangereux dans l'équipement, les équipements électriques et électroniques usagés peuvent avoir un impact négatif sur l'environnement et la santé humaine. Ne jetez pas les appareils électriques et électroniques avec les ordures ménagères ! Conformément à la directive européenne relative aux déchets d'équipements électriques et électroniques et à son adaptation à la législation nationale, les équipements électriques et électroniques usagés doivent être collectés séparément et déposés dans un point de collecte distinct pour déchets urbains, conformément aux réglementations en matière de protection de l'environnement. Cela est indiqué par le symbole de la poubelle à roulettes barrée sur l'équipement.

- Nur für EU-Länder

Aufgrund des Vorhandenseins gefährlicher Komponenten in der Ausrüstung können Elektro- und Elektronik-Altgeräte sich negativ auf die Umwelt und die menschliche Gesundheit auswirken. Entsorgen Sie Elektro- und Elektronikgeräte nicht mit dem Hausmüll! In Übereinstimmung mit der Europäischen Richtlinie über Elektro- und Elektronik-Altgeräte und ihrer Anpassung an nationales Recht sollten Elektro- und Elektronik-Altgeräte gemäß den Umweltschutzbestimmungen getrennt gesammelt und zu einer getrennten Sammelstelle für Siedlungsabfälle geliefert werden. Dies wird durch das am Gerät angebrachte Symbol der durchgestrichenen Abfalltonne auf Rädern angezeigt.

- Solo per le nazioni dell'EU

A causa della presenza di componenti pericolosi nelle apparecchiature, le apparecchiature elettriche ed elettroniche usate potrebbero produrre un impatto negativo sull'ambiente e sulla salute umana. Non smaltire elettrodomestici elettrici ed elettronici insieme ai rifiuti domestici! In conformità alla direttiva europea sui rifiuti di apparecchiature elettriche ed elettroniche (RAEE), e al suo adattamento alle normative nazionali, le apparecchiature elettriche ed elettroniche usate vanno sottoposte a raccolta differenziata e conferite a un punto di raccolta separato per i rifiuti comunali, operando in conformità alle normative per la protezione dell'ambiente. Tale requisito viene indicato mediante il simbolo del bidone della spazzatura con ruote barrato apposto sull'apparecchio.

- Alleen voor EU-landen

Als gevolg van de aanwezigheid van schadelijke componenten in het apparaat, kunnen gebruikte elektrische en elektronische apparaten negatieve gevolgen hebben voor het milieu en de gezondheid van mensen. Gooi elektrische en elektronische apparaten niet met het huisvuil weg! In overeenstemming met de Europese richtlijn inzake oude elektrische en elektronische apparaten en de toepassing daarvan binnen de nationale wetgeving, dienen gebruikte elektrische en elektronische apparaten gescheiden te worden ingezameld en te worden ingeleverd bij een apart inzamelingspunt voor huishoudelijk afval dat de milieubeschermingsvoorschriften in acht neemt. Dit wordt op het apparaat aangegeven door het symbool van een doorgekruste afvalcontainer.

- Sólo para países de la Unión Europea

Debido a la presencia de componentes peligrosos en el equipo, el equipo eléctrico y electrónico desechado puede tener un impacto negativo para el medioambiente y la salud humana. ¡No tire los aparatos eléctricos y electrónicos junto con los residuos domésticos! De conformidad con las Directivas Europeas sobre residuos de aparatos eléctricos y electrónicos, y su adaptación a la ley nacional, el equipo eléctrico y electrónico desechado deberá ser recogido por separado y trasladado a un punto distinto de recogida de desechos municipales, que cumpla con los reglamentos de protección medioambiental. Esto se indica mediante el símbolo de cubo de basura tachado colocado en el equipo.

- Apenas para países da UE

Devido à presença de componentes perigosos no equipamento, o equipamento elétrico e eletrônico usado pode ter um impacto negativo no meio ambiente e na saúde humana. Não elimine aparelhos elétricos e eletrônicos juntamente com resíduos domésticos! De acordo com a Diretiva europeia relativa aos resíduos de equipamentos elétricos e eletrônicos e a respetiva adaptação à legislação nacional, os equipamentos elétricos e eletrônicos usados devem ser recolhidos separadamente e entregues num ponto de recolha separado para resíduos municipais, que opere de acordo com os regulamentos de proteção ambiental. Tal é indicado pelo símbolo de contentor de lixo com rodas barrado com uma cruz colocado no equipamento.

- Kun for lande inden for EU

Brugt elektrisk og elektronisk udstyr kan have en negativ indvirkning på miljøet og folkesundheden på grund af tilstedeværelsen af farlige komponenter i udstyret.

Bortskaf ikke elektriske og elektroniske apparater sammen med husholdningsaffald!

I overensstemmelse med EF-direktiv om affaldshåndtering af elektrisk og elektronisk udstyr, og i overensstemmelse med national lovgivning, skal brugt elektrisk og elektronisk udstyr opbevares separat og leveres til et separat indsamlingssted til kommunalt affald, der er etableret i henhold til bestemmelserne om miljøbeskyttelse.

Dette er angivet ved symbolet på den krydsede skraldespand, der er placeret på udstyret.

- Μόνο για τις χώρες της ΕΕ

Λόγω της παρουσίας των επικίνδυνων συστατικών μερών στον εξοπλισμό, ο χρησιμοποιημένος ηλεκτρικός και ηλεκτρονικός εξοπλισμός μπορεί να έχει αρνητική επίδραση στο περιβάλλον και την ανθρώπινη υγεία.

Μην απορρίπτετε τις ηλεκτρικές και ηλεκτρονικές συσκευές μαζί με τα οικιακά απορρίμματα!

Σύμφωνα με την Ευρωπαϊκή Οδηγία για τον απόβλητο ηλεκτρικό και ηλεκτρονικό εξοπλισμό, καθώς και την προσαρμογή της στην εθνική νομοθεσία, ο χρησιμοποιημένος ηλεκτρικός και ηλεκτρονικός εξοπλισμός θα πρέπει να συλλέγεται ξεχωριστά και να παραδίδεται σε ξεχωριστό σημείο συλλογής για δημοτικά απόβλητα, το οποίο λειτουργεί σύμφωνα με τους κανονισμούς προστασίας του περιβάλλοντος.

Αυτό υποδεικνύεται από το σύμβολο του διαγραμμένου τροχοφόρου κάδου που βρίσκεται αναρτημένο επάνω στον εξοπλισμό.

Explanation of general view

1 Lever	9 Shaft lock	17 Screw
2 Depth guide	10 Hex socket head bolt	18 Workpiece
3 Cutting line	11 Outer flange	19 Sight window
4 Switch trigger	12 Carbide-tipped saw blade	20 Retracting lever
5 Lock-off button	13 Inner flange	21 Limit mark
6 Dust cover	14 Slot	22 Screwdriver
7 Knob	15 Rib	23 Brush holder cap
8 Hex wrench	16 Rip fence (Guide rule)	

SPECIFICATIONS

Model	4131
Blade diameter	185 mm
Max. cutting capacity	63 mm
No load speed (min ⁻¹)	3,500
Overall length	358 mm
Net weight	4.8 kg
Safety class	II/III

- Due to our continuing program of research and development, the specifications herein are subject to change without notice.
- Specifications may differ from country to country.
- Weight according to EPTA-Procedure 01/2014

ENE022-1

Intended use

The tool is intended for cutting in mild steel.

ENF002-2

Power supply

The tool should be connected only to a power supply of the same voltage as indicated on the nameplate, and can only be operated on single-phase AC supply. They are double-insulated and can, therefore, also be used from sockets without earth wire.

GEA010-2

General power tool safety warnings

⚠ WARNING: Read all safety warnings, instructions, illustrations and specifications provided with this power tool. Failure to follow all instructions listed below may result in electric shock, fire and/or serious injury.

Save all warnings and instructions for future reference.

The term "power tool" in the warnings refers to your mains-operated (corded) power tool or battery-operated (cordless) power tool.

GEB155-1

METAL CUTTER SAFETY WARNINGS

Cutting procedures

1. **⚠ DANGER: Keep hands away from cutting area and the blade. Keep your second hand on auxiliary handle, or motor housing.** If both hands are holding the saw, they cannot be cut by the blade.

2. **Do not reach underneath the workpiece.** The guard cannot protect you from the blade below the workpiece.
3. **Adjust the cutting depth to the thickness of the workpiece.** Less than a full tooth of the blade teeth should be visible below the workpiece.
4. **Never hold the workpiece in your hands or across your leg while cutting. Secure the workpiece to a stable platform.** It is important to support the work properly to minimise body exposure, blade binding, or loss of control.
5. **Hold the power tool by insulated gripping surfaces, when performing an operation where the cutting tool may contact hidden wiring or its own cord.** Contact with a "live" wire will also make exposed metal parts of the power tool "live" and could give the operator an electric shock.
6. **When ripping, always use a rip fence or straight edge guide.** This improves the accuracy of cut and reduces the chance of blade binding.
7. **Always use blades with correct size and shape (diamond versus round) of arbour holes.** Blades that do not match the mounting hardware of the saw will run off-centre, causing loss of control.
8. **Never use damaged or incorrect blade washers or bolt.** The blade washers and bolt were specially designed for your saw, for optimum performance and safety of operation.

Kickback causes and related warnings

- kickback is a sudden reaction to a pinched, jammed or misaligned saw blade, causing an uncontrolled saw to lift up and out of the workpiece toward the operator;
- when the blade is pinched or jammed tightly by the kerf closing down, the blade stalls and the motor reaction drives the unit rapidly back toward the operator;
- if the blade becomes twisted or misaligned in the cut, the teeth at the back edge of the blade can dig into the top surface of the workpiece causing the blade to climb out of the kerf and jump back toward the operator.

Kickback is the result of saw misuse and/or incorrect operating procedures or conditions and can be avoided by taking proper precautions as given below.

1. **Maintain a firm grip with both hands on the saw and position your arms to resist kickback forces. Position your body to either side of the blade, but not in line with the blade.** Kickback could cause the saw to jump backwards, but kickback forces can be controlled by the operator, if proper precautions are taken.

2. When blade is binding, or when interrupting a cut for any reason, release the trigger and hold the saw motionless in the material until the blade comes to a complete stop. Never attempt to remove the saw from the work or pull the saw backward while the blade is in motion or kickback may occur. Investigate and take corrective actions to eliminate the cause of blade binding.
3. When restarting a saw in the workpiece, centre the saw blade in the kerf so that the saw teeth are not engaged into the material. If a saw blade binds, it may walk up or kickback from the workpiece as the saw is restarted.
4. Support large panels to minimise the risk of blade pinching and kickback. Large panels tend to sag under their own weight. Supports must be placed under the panel on both sides, near the line of cut and near the edge of the panel.
5. Do not use dull or damaged blades. Unsharpened or improperly set blades produce narrow kerf causing excessive friction, blade binding and kickback.
6. Blade depth and bevel adjusting locking levers must be tight and secure before making the cut. If blade adjustment shifts while cutting, it may cause binding and kickback.
7. Use extra caution when sawing into existing walls or other blind areas. The protruding blade may cut objects that can cause kickback.
8. ALWAYS hold the tool firmly with both hands. NEVER place your hand, leg or any part of your body under the tool base or behind the saw, especially when making cross-cuts. If kickback occurs, the saw could easily jump backwards over your hand, leading to serious personal injury.
9. Never force the saw. Push the saw forward at a speed so that the blade cuts without slowing. Forcing the saw can cause uneven cuts, loss of accuracy, and possible kickback.

Lower guard function

1. Check the lower guard for proper closing before each use. Do not operate the saw if the lower guard does not move freely and close instantly. Never clamp or tie the lower guard into the open position. If the saw is accidentally dropped, the lower guard may be bent. Raise the lower guard with the retracting handle and make sure it moves freely and does not touch the blade or any other part, in all angles and depths of cut.
2. Check the operation of the lower guard spring. If the guard and the spring are not operating properly, they must be serviced before use. Lower guard may operate sluggishly due to damaged parts, gummy deposits, or a build-up of debris.
3. The lower guard may be retracted manually only for special cuts such as “plunge cuts” and “compound cuts”. Raise the lower guard by the retracting handle and as soon as the blade enters the material, the lower guard must be released. For all other sawing, the lower guard should operate automatically.
4. Always observe that the lower guard is covering the blade before placing the saw down on bench or floor. An unprotected, coasting blade will cause the saw to walk backwards, cutting whatever is in its path. Be aware of the time it takes for the blade to stop after switch is released.

5. To check lower guard, open lower guard by hand, then release and watch guard closure. Also check to see that retracting handle does not touch tool housing. Leaving blade exposed is VERY DANGEROUS and can lead to serious personal injury.

Additional safety warnings

1. Do not stop the blades by lateral pressure on the saw blade.
2. DANGER: Do not attempt to remove cut material when blade is moving. CAUTION: Blades coast after turn off.
3. Place the wider portion of the saw base on that part of the workpiece which is solidly supported, not on the section that will fall off when the cut is made. If the workpiece is short or small, clamp it down. DO NOT TRY TO HOLD SHORT PIECES BY HAND!
4. Never attempt to make a cut with the tool held upside down in a vise. This is extremely dangerous and can lead to serious accidents.
5. Wear safety goggles and hearing protection during operation.
6. Do not use any abrasive wheels.
7. Only use the saw blade with the diameter that is marked on the tool or specified in the manual. Use of an incorrectly sized blade may affect the proper guarding of the blade or guard operation which could result in serious personal injury.
8. Always use the saw blade intended for cutting the material that you are going to cut.
9. Only use the saw blades that are marked with a speed equal or higher than the speed marked on the tool.

SAVE THESE INSTRUCTIONS.

⚠ WARNING:

DO NOT let comfort or familiarity with product (gained from repeated use) replace strict adherence to safety rules for the subject product. MISUSE or failure to follow the safety rules stated in this instruction manual may cause serious personal injury.

FUNCTIONAL DESCRIPTION

⚠ CAUTION:

- Always be sure that the tool is switched off and unplugged before adjusting or checking function on the tool.

Adjusting the depth of cut (Fig. 1)

Loosen the lever on the depth guide and move the base up or down. At the desired depth of cut, secure the base by tightening the lever.

⚠ CAUTION:

- After adjusting the depth of cut, always tighten the lever securely.

Sighting (Fig. 2)

When cutting, align the A position on the front of the base with your cutting line on the workpiece.

Switch action

⚠ CAUTION:

- Before plugging in the tool, always check to see that the switch trigger actuates properly and returns to the “OFF” position when released.

For tool with lock-off button (Fig. 3)

To prevent the switch trigger from being accidentally pulled, a lock-off button is provided.

To start the tool, push in the lock-off button and pull the switch trigger. Release the switch trigger to stop.

CAUTION:

- Do not pull the switch trigger hard without pressing in the lock-off button. This can cause switch breakage.

For tool without lock-off button (Fig. 4)

To start the tool, simply pull the switch trigger. Release the switch trigger to stop.

ASSEMBLY

CAUTION:

- Always be sure that the tool is switched off and unplugged before carrying out any work on the tool.

Installing or removing saw blade

CAUTION:

- Use only the Makita wrench provided to install or remove the blade. Failure to do so may result in over-tightening or insufficient tightening of the hex bolt. This could cause serious injury to the operator.
- Do not touch the blade with your bare hand immediately after cutting, it may be extremely hot and could burn your skin. Put on pair of gloves when removing a hot blade.

To remove the blade, first push and turn the knob which secures the dust cover clockwise to the ○ symbol and remove the dust cover. Press the shaft lock so that the blade cannot revolve and use the hex wrench to loosen the hex bolt counterclockwise. Then remove the outer flange and blade. (Fig. 5 & 6)

To install the blade, follow the removal procedure in reverse. Always install the blade so that the arrow on the blade points in the same direction as the arrow on the blade case.

BE SURE TO TIGHTEN THE HEX BOLT SECURELY. (Fig. 7)

After installing the blade, replace the dust cover. Slide the dust cover carefully so that the slot of its front fits the rib of the blade case. Make sure the dust cover fits properly then push and turn the knob counterclockwise to the ● symbol. (Fig. 8)

Blade guard cleaning

When changing blade, make sure to also clean the upper and lower blade guards of accumulated metal chips as discussed in the Maintenance section. Such efforts do not replace the need to check lower guard operation before each use.

Rip fence (guide rule) (Accessory) (Fig. 9)

The handy rip fence (guide rule) allows you to do extra-accurate straight cuts. Simply slide the rip fence up snugly against the side of the workpiece and secure it in position with the clamp screw on the front of the base. It also makes repeated cuts of uniform width possible.

OPERATION

CAUTION:

- Never twist or force the tool in the cut. This may cause motor overload and/or a dangerous kickback, resulting in serious injury to the operator.

Hold the tool firmly with both hand. Set the base plate on the workpiece to be cut without the blade making any contact. Then turn the tool on and wait until the blade attains full speed. Move the tool forward over the workpiece surface, keeping it flat and advancing smoothly until the cutting is completed. Keep your cutting line straight and your speed of advance uniform. (Fig. 10)

The sight window in the base makes it easy to check the distance between the front edge of the saw blade and the workpiece whenever the blade is set to the maximum depth of cut. (Fig. 11)

NOTE:

- When making a miter cuts etc., sometimes the lower guard does not move easily. At that time, use the retracting lever to raise the lower guard for starting cut and as soon as blade enters the material, release the retracting lever. (Fig. 12)

CAUTION:

- Do not use a deformed or cracked blade. Replace it with a new one.
- Do not stack materials when cutting them.
- Do not cut hardened steel, stainless steel, aluminum, wood, plastics, concrete, tile, etc. **Cut only mild steel.**
- Do not touch the saw blade, workpiece or cutting chips with your bare hand immediately after cutting, they may be extremely hot and could burn your skin.
- **Always use the carbide-tipped saw blades appropriate for your job.** The use of inappropriate saw blades may cause a poor cutting performance and/or present a risk of personal injury.

Chip disposal

CAUTION:

- Always be sure that the tool is switched off and unplugged before removing or installing the dust cover.
- The dust cover may become hot due to hot chips. Do not touch the cutting chips or dust cover with your bare hand.

When the cutting chips are visible through the sight window, dispose of them. (Fig. 13)

Push and turn the knob clockwise to the ○ symbol and remove the dust cover. Dispose of the cutting chips accumulated inside the dust cover. (Fig. 14)

CAUTION:

- Do not turn the tool upside down. The cutting chips accumulated inside the dust cover may fall out of the dust cover.
- Handle the dust cover carefully so that it will not be deformed or damaged.

MAINTENANCE

CAUTION:

- Always be sure that the tool is switched off and unplugged before attempting to perform inspection or maintenance.
- **Clean out the upper and lower guards to ensure there is no accumulated metal chips which may impede the operation of the lower guarding system.** A dirty guarding system may limit the proper operation which could result in serious personal injury. **When using compressed air to blow metal chips out of the guards, wear a proper eye and breathing protection.**
- Never use gasoline, benzene, thinner, alcohol or the like. Discoloration, deformation or cracks may result.

Inspecting saw blade

- Check the blade carefully for cracks or damage before and after each use. Replace a cracked or damaged blade immediately.
- Continuing to use a dull blade may cause a dangerous kickback and/or motor overload. Replace with a new blade as soon as it no longer cuts effectively.
- **Carbide-tipped saw blades for metal cutter cannot be re-sharpened.**

Replacing carbon brushes (Fig. 15 & 16)

Remove and check the carbon brushes regularly. Replace when they wear down to the limit mark. Keep the carbon brushes clean and free to slip in the holders. Both carbon brushes should be replaced at the same time. Use only identical carbon brushes.

Use a screwdriver to remove the brush holder caps. Take out the worn carbon brushes, insert the new ones and secure the brush holder caps.

To maintain product SAFETY and RELIABILITY, repairs, any other maintenance or adjustment should be performed by Makita Authorized Service Centers, always using Makita replacement parts.

OPTIONAL ACCESSORIES

⚠ CAUTION:

- These accessories or attachments are recommended for use with your Makita tool specified in this manual. The use of any other accessories or attachments might present a risk of injury to persons. Only use accessory or attachment for its stated purpose.

If you need any assistance for more details regarding these accessories, ask your local Makita Service Center.

- Rip fence (Guide rule)
- Recommended Carbide-tipped saw blades & work-piece ranges

NOTE:

- Some items in the list may be included in the tool package as standard accessories. They may differ from country to country.

Carbide-Tipped Metal Blades for Many Applications

Size (mm)	Applications													
	METAL SHEET		C-STUD		ANGLE-STUD		METAL STUD		REBAR	PIPE			CORRUGATED SHEET	
	t=1.5	t=3.0	50x100 t=1.6	45x90 t=3.2	50x50 t=4	50x50 t=6	t=0.56 25Ga	t=1.6 16Ga	∅20	50x100 t=3.2	∅25 t=1.2	∅60 t=3.8	t=0-0.9	t=1.0- 2.0
185x36T	✗	○	✗	○	○	○	○	✗	○	○	△	○	✗	✗
185x38T	△	○	△	○	○	○	○	△	○	○	○	○	✗	✗
185x48T	○	○	○	○	△	○	○	○	△	○	○	△	✗	△
185x70T	○	△	✗	✗	✗	✗	△	✗	✗	✗	✗	✗	○	△

005705

○ Excellent ○ Good △ Fair ✗ Not Applicable

⚠ CAUTION:

- Always use carbide-tipped saw blades appropriate for your job. Do not cut aluminum, wood, plastics, concrete, tiles, etc.
- Carbide-tipped saw blades for metal cutting saw are not to be re-sharpened.

ENG905-1

Noise

The typical A-weighted noise level determined according to EN62841-2-5:

Sound pressure level (L_{pA}): 105 dB (A)

Sound power level (L_{WA}): 113 dB (A)

Uncertainty (K): 3 dB (A)

ENG907-1

NOTE:

- The declared noise emission value(s) has been measured in accordance with a standard test method and may be used for comparing one tool with another.
- The declared noise emission value(s) may also be used in a preliminary assessment of exposure.

⚠ WARNING:

- **Wear ear protection.**
- **The noise emission during actual use of the power tool can differ from the declared value(s) depending on the ways in which the tool is used especially what kind of workpiece is processed.**
- **Be sure to identify safety measures to protect the operator that are based on an estimation of exposure in the actual conditions of use (taking account of all parts of the operating cycle such as the times when the tool is switched off and when it is running idle in addition to the trigger time).**

ENG900-1

Vibration

The vibration total value (tri-axial vector sum) determined according to EN62841-2-5:

Work mode: cutting metal

Vibration emission ($a_{h,M}$): 2.5 m/s² or less

Uncertainty (K): 1.5 m/s²

NOTE:

- The declared vibration total value(s) has been measured in accordance with a standard test method and may be used for comparing one tool with another.
- The declared vibration total value(s) may also be used in a preliminary assessment of exposure.

**WARNING:**

- **The vibration emission during actual use of the power tool can differ from the declared value(s) depending on the ways in which the tool is used especially what kind of workpiece is processed.**
- **Be sure to identify safety measures to protect the operator that are based on an estimation of exposure in the actual conditions of use (taking account of all parts of the operating cycle such as the times when the tool is switched off and when it is running idle in addition to the trigger time).**

DECLARATION OF CONFORMITY**For European countries only**

The Declarations of conformity are included in Annex A to this instruction manual.

Descriptif

1 Levier	10 Boulon à tête hexagonale	17 Vis
2 Guide de profondeur	11 Flasque extérieur	18 Pièce à travailler
3 Ligne de coupe	12 Lame à dents de carbure de tungstène	19 Fenêtre du viseur
4 Gâchette	13 Flasque intérieur	20 Levier rétractable
5 Bouton de sécurité	14 Fente	21 Repère d'usure
6 Capuchon anti-poussière	15 Nervure	22 Tournevis
7 Bouton	16 Garde de refente (garde parallèle)	23 Bouchon de porte-charbon

SPÉCIFICATIONS

GEB155-1

Modèle	4131
Diamètre de la lame	185 mm
Capacité de coupe max.	63 mm
Vitesse à vide (min ⁻¹)	3 500
Longueur totale	358 mm
Poids net	4,8 kg
Niveau de sécurité	□/II

- Étant donné l'évolution constante de notre programme de recherche et de développement, les spécifications contenues dans ce manuel sont sujettes à modification sans préavis.
- Les spécifications peuvent varier suivant les pays.
- Poids selon la procédure EPTA 01/2014

ENE022-1

Utilisations

L'outil est conçu pour la coupe de l'acier doux.

ENF002-2

Alimentation

L'outil ne devra être raccordé qu'à une alimentation de la même tension que celle qui figure sur la plaque signalétique, et il ne pourra fonctionner que sur un courant secteur monophasé. Réalisé avec une double isolation, il peut de ce fait être branché sur une prise sans mise à la terre.

GEA010-2

Consignes de sécurité générales pour outils électriques

⚠ AVERTISSEMENT : Veuillez lire toutes les consignes de sécurité, instructions, illustrations et spécifications qui accompagnent cet outil électrique. Le non-respect de toutes les instructions indiquées ci-dessous peut entraîner une électrocution, un incendie et/ou de graves blessures.

Conservez toutes les mises en garde et instructions pour référence ultérieure.

Le terme "outil électrique" dans les avertissements fait référence à l'outil électrique alimenté par le secteur (avec cordon d'alimentation) ou à l'outil électrique fonctionnant sur batterie (sans cordon d'alimentation).

CONSIGNES DE SÉCURITÉ POUR SCIE CIRCULAIRE À MÉTAUX

Procédures de coupe

1. **⚠ DANGER : Gardez vos mains à l'écart de la zone de coupe et de la lame. Laissez votre deuxième main sur la poignée auxiliaire ou le carter du moteur.** La lame ne risquera pas de vous couper les mains si vous les utilisez toutes les deux pour tenir la scie.
2. **Ne placez aucune partie de votre corps sous la pièce à travailler.** Le carter de protection ne peut pas protéger l'utilisateur de la lame sous la pièce.
3. **Réglez la profondeur de coupe suivant l'épaisseur de la pièce à travailler.** La partie de la lame visible sous la pièce à travailler doit être moindre qu'une dent de lame complète.
4. **Ne tenez jamais la pièce avec les mains ou contre la jambe pendant la coupe. Fixez la pièce sur une plate-forme stable.** Il est important que la pièce soit soutenue convenablement, afin de minimiser l'exposition du corps, le grippage de la lame ou la perte de contrôle.
5. **Tenez l'outil électrique par une surface de prise isolée, lorsque vous effectuez une tâche où l'outil de coupe pourrait toucher un câblage caché ou son propre cordon d'alimentation.** Le contact avec un fil « sous tension » mettra également « sous tension » les parties métalliques exposées de l'outil électrique, pouvant ainsi causer un choc électrique chez l'utilisateur.
6. **Lors du sciage en long, utilisez toujours un guide longitudinal ou un guide de chant.** La coupe sera plus précise et cela réduira les risques de pincement de la lame.
7. **Utilisez toujours des lames dont l'orifice central est de taille et de forme (diamantée ou circulaire) appropriée.** Les lames qui ne correspondent pas aux éléments de montage de la scie fonctionneront de manière décentrée, provoquant une perte de contrôle.
8. **N'utilisez jamais de rondelles ou boulons de la lame endommagés ou inadéquats.** Les rondelles et le boulon de la lame ont été conçus exclusivement pour votre scie, afin d'assurer une performance optimale et une utilisation sûre.

Causes des chocs en retour et avertissements concernant ces derniers

– le choc en retour est une réaction soudaine de l'outil lorsque la lame de scie est coincée, pincée ou désalignée, et la scie, hors de contrôle, se soulève alors et quitte la pièce en se dirigeant vers l'utilisateur ;

- lorsque la lame se coince ou est pincée fermement par le trait de scie qui se referme sur elle, la lame se bloque et la réaction du moteur entraîne la projection de l'outil à grande vitesse vers l'utilisateur ;
- si la lame se tord ou est mal alignée lors de la coupe, les dents sur le bord arrière de la lame peuvent s'enfoncer dans la surface supérieure de la pièce, provoquant la sortie de la lame du trait de scie et sa projection sur l'utilisateur.

Le choc en retour est le résultat d'une mauvaise utilisation de la scie et/ou de procédures ou conditions d'utilisation incorrectes. On peut l'éviter en prenant des précautions adéquates, comme indiqué ci-dessous :

1. **Maintenez une poigne ferme à deux mains sur la scie, et placez vos bras de sorte qu'ils puissent résister à la force du choc en retour. Placez-vous d'un côté ou de l'autre de la lame, jamais dans sa ligne de coupe.** Le choc en retour peut faire bondir la scie vers l'arrière, mais la force du choc en retour peut être maîtrisée par l'utilisateur en prenant les précautions adéquates.
2. **Si la lame se pince ou si vous interrompez la coupe pour une raison quelconque, libérez la gâchette et maintenez la scie immobile dans le matériau jusqu'à l'arrêt complet de la lame. N'essayez jamais de retirer la scie de la pièce ou de la faire reculer alors que la lame tourne encore, sous peine de provoquer un choc en retour.** Identifiez la cause du pincement de la lame et prenez les mesures correctives pour y remédier.
3. **Avant de redémarrer la scie dans la pièce, centrez la lame de scie dans le trait de scie de sorte que les dents ne pénètrent pas dans le matériau.** Si une lame de scie coince, elle risque de remonter ou de reculer brutalement au moment du redémarrage de la scie.
4. **Placez un dispositif de soutien sous les grands panneaux pour réduire les risques de pincement de la lame et de choc en retour.** Les panneaux de grande dimension ont tendance à s'affaisser sous leur propre poids. Des supports doivent être installés sous le panneau, des deux côtés, près de la ligne de coupe et près du bord du panneau.
5. **N'utilisez pas des lames émoussées ou endommagées.** Les lames mal affûtées ou mal posées produisent un trait de scie étroit, entraînant une friction excessive, le pincement de la lame et un choc en retour.
6. **Les leviers de verrouillage de la profondeur de coupe et du réglage de coupe en biseau doivent être serrés de manière ferme et sûre avant de procéder à la coupe.** Il y a risque de pincement et de choc en retour si les réglages de la lame changent pendant la coupe.
7. **Soyez tout particulièrement prudent lorsque vous sciez dans un mur ou autre surface derrière laquelle peuvent se trouver des objets non visibles.** La lame peut causer un choc en retour en entrant en contact avec ces objets.
8. **Tenez TOUJOURS l'outil fermement à deux mains. Ne placez JAMAIS la main, la jambe ou toute autre partie du corps sous la base de l'outil ou derrière la scie, particulièrement lors de coupes transversales.** En cas de choc en retour, la scie pourrait facilement bondir vers l'arrière et passer sur votre main, vous infligeant une blessure grave.

9. **Ne forcez jamais la scie. Faites avancer la scie à une vitesse permettant à la lame de tourner sans perte de vitesse.** Le fait de forcer la scie peut résulter en des coupes inégales, une perte de précision et un choc en retour.

Fonctionnement du carter de protection

1. **Avant chaque utilisation, assurez-vous que le carter de protection inférieur ferme bien. N'utilisez pas la scie si le carter de protection inférieur ne se déplace pas librement et ne se referme pas immédiatement. Évitez d'immobiliser ou fixer le carter de protection inférieur en position ouverte.** Si la scie tombe accidentellement, le carter de protection inférieur peut se tordre. Soulevez le carter de protection inférieur à l'aide de la poignée rétractable et assurez-vous qu'il se déplace librement sans entrer en contact avec la lame ou toute autre partie de la scie, et ce quel que soit l'angle ou la profondeur de coupe.
2. **Vérifiez le fonctionnement du ressort du carter de protection inférieur. Le carter de protection et le ressort doivent être réparés avant l'utilisation s'ils ne fonctionnent pas correctement.** Le fonctionnement du carter de protection inférieur peut être ralenti par des pièces endommagées, des dépôts gluants ou l'accumulation de débris.
3. **Le carter de protection inférieur ne doit être rétracté manuellement que lors des coupes spéciales, comme les « coupes en plongée » et les « coupes mixtes ».** Soulevez le carter de protection inférieur à l'aide de la poignée rétractable et libérez-le dès que la lame entre en contact avec le matériau. Pour tout autre type de coupe, il faut laisser le carter de protection inférieur fonctionner automatiquement.
4. **Assurez-vous toujours que le carter de protection inférieur recouvre la lame avant de poser la scie sur l'établi ou le plancher.** Une lame non protégée et continuant à fonctionner par inertie entraînera la scie en arrière coupant tout ce qui se trouve sur sa trajectoire. N'oubliez pas qu'il faut un certain temps avant que la lame ne s'arrête, une fois la gâchette libérée.
5. **Pour vérifier que le carter de protection inférieur se referme bien, ouvrez-le manuellement et relâchez-le. Assurez-vous également que la poignée rétractable ne touche pas le carter de l'outil.** Une lame exposée est TRÈS DANGEREUSE et peut causer de graves blessures.

Consignes de sécurité supplémentaires

1. **N'appliquez jamais de pression latérale sur la lame de scie pour l'arrêter.**
2. **DANGER :**
N'essayez pas de retirer le matériau coupé pendant que la lame tourne.
ATTENTION : La lame continue de tourner même une fois le contact coupé.
3. **Placez la partie la plus grande du socle de la scie sur la partie de la pièce qui est solidement soutenue, non sur celle qui tombera une fois la coupe terminée.** Si la pièce est courte ou petite, placez-la dans un dispositif de serrage. **N'ESSAYEZ PAS DE TENIR LES COURTES PIÈCES UNIQUEMENT AVEC LA MAIN !**

4. N'essayez jamais de faire une coupe avec l'outil maintenu à l'envers dans un étau. Cela est très dangereux et peut entraîner un accident grave.
5. Portez des lunettes à coques et un protège-tympan pendant l'utilisation.
6. N'utilisez pas de disques abrasifs.
7. Utilisez uniquement une lame de scie ayant le diamètre indiqué sur l'outil ou spécifié dans le mode d'emploi. L'utilisation d'une taille incorrecte de lame peut affecter la protection de la lame ou le fonctionnement du carter de protection, ce qui pourrait provoquer de graves blessures.
8. Utilisez toujours la lame de scie conçue pour la coupe du matériau de travail.
9. Utilisez uniquement des lames de scie sur lesquelles est indiquée une vitesse égale ou supérieure à la vitesse figurant sur l'outil.

CONSERVEZ CES INSTRUCTIONS.

⚠ AVERTISSEMENT :

NE vous laissez PAS tromper (au fil d'une utilisation répétée) par un sentiment d'aisance et de familiarité avec le produit, en négligeant le respect rigoureux des consignes de sécurité qui accompagnent le produit en question. La MAUVAISE UTILISATION de l'outil ou l'ignorance des consignes de sécurité indiquées dans ce mode d'emploi peut entraîner de graves blessures.

DESCRIPTION DU FONCTIONNEMENT

⚠ ATTENTION :

- Assurez-vous toujours que l'outil est hors tension et débranché avant de l'ajuster ou de vérifier son fonctionnement.

Réglage de la profondeur de coupe (Fig. 1)

Desserrez le levier du guide de profondeur puis déplacez la base vers le haut ou le bas. À la profondeur de coupe désirée, fixez la base en serrant le levier.

⚠ ATTENTION :

- Après avoir ajusté la profondeur de coupe, serrez toujours fermement le levier.

Visée (Fig. 2)

Lors de la coupe, alignez sur la ligne de coupe de la pièce à travailler la position A à l'avant de la base.

Interrupteur

⚠ ATTENTION :

- Avant de brancher l'outil, vérifiez toujours que la gâchette fonctionne bien et revient en position d'arrêt lorsque relâchée.

Outil équipé d'un bouton de sécurité (Fig. 3)

Un bouton de sécurité est fourni pour prévenir la pression accidentelle sur la gâchette.

Pour faire démarrer l'outil, appuyez sur le bouton de sécurité puis sur la gâchette. Pour l'arrêter, relâchez la gâchette.

⚠ ATTENTION :

- N'appuyez pas sur la gâchette en forçant sans appuyer sur le bouton de sécurité. Vous risquez de casser la gâchette.

Outil sans bouton de sécurité (Fig. 4)

Pour mettre l'outil en marche, il suffit d'appuyer sur la gâchette. Pour arrêter l'outil, libérez la gâchette.

ASSEMBLAGE

⚠ ATTENTION :

- Assurez-vous toujours que l'outil est hors tension et débranché avant d'effectuer tout travail dessus.

Installation et retrait de la lame

⚠ ATTENTION :

- Utilisez exclusivement la clé Makita fournie pour installer ou retirer la lame. Sinon, le boulon hexagonal risque d'être trop ou pas assez serré. Cela comporte un risque de blessure grave pour l'utilisateur.
- Ne touchez pas la lame à mains nues immédiatement après la coupe ; elle peut être extrêmement chaude et risquerait de vous brûler la peau. Pour retirer une lame chaude, mettez une paire de gants.

Pour retirer la lame, appuyez d'abord sur le boulon qui retient le capuchon anti-poussière, puis tournez-le dans le sens des aiguilles d'une montre jusqu'au symbole ○, et retirez le capuchon anti-poussière. Appuyez sur le blocage de l'arbre de sorte que la lame ne puisse pas tourner et utilisez la clé hexagonale pour desserrer le boulon hexagonal en le tournant dans le sens inverse des aiguilles d'une montre. Retirez ensuite le flasque extérieur et la lame. (Fig. 5 et 6)

Pour poser la lame, suivez la procédure de retrait dans l'ordre inverse. Installez toujours la lame de sorte que la flèche qui se trouve sur la lame pointe dans le même sens que la flèche du porte-lame.

ASSUREZ-VOUS D'AVOIR FERMEMENT SERRÉ LE BOLON HEXAGONAL. (Fig. 7)

Après avoir posé la lame, remettez le capuchon anti-poussière en place. Glissez le capuchon anti-poussière doucement de sorte que la fente qui se trouve à l'avant du capuchon soit alignée sur la nervure du porte-lame. Assurez-vous que le capuchon anti-poussière est bien aligné, puis appuyez sur le bouton et tournez-le dans le sens inverse des aiguilles d'une montre jusqu'au symbole ●. (Fig. 8)

Nettoyage du carter de protection

Lorsque vous changez la lame, n'oubliez pas d'enlever également les copeaux métalliques accumulés sur les carters de lame supérieur et inférieur comme indiqué dans la section Entretien. Même après ce nettoyage, il est toujours nécessaire de vérifier le bon fonctionnement du carter de protection inférieur avant chaque utilisation.

Garde de refente (garde parallèle) (accessoire) (Fig. 9)

Le garde de refente (garde parallèle) pratique vous permet d'effectuer des coupes droites d'une extrême précision. Faites simplement glisser le garde parallèle le long du côté de la pièce à travailler en la maintenant en position à l'aide de la vis de serrage située à l'avant de la base. Cela permet également d'effectuer plusieurs coupes d'une largeur uniforme.

UTILISATION

⚠ ATTENTION :

- Ne jamais tourner ou forcer l'outil pendant la coupe. Cela risquerait de causer une surcharge du moteur et/ou un dangereux choc en retour pouvant blesser gravement l'utilisateur.

Tenez l'outil fermement à deux mains. Placez la plaque de base de l'outil sur la pièce à couper de sorte que la lame n'entre pas en contact avec quoi que ce soit. Mettez ensuite l'outil sous tension et attendez que la lame ait atteint sa pleine vitesse. Déplacez l'outil vers l'avant sur la surface de la pièce, en le maintenant à plat et en le faisant avancer doucement jusqu'à ce que la coupe soit terminée. Maintenez la ligne de coupe bien droite et la vitesse de progression constante. (Fig. 10)

La fenêtre de viseur située sur la base permet de vérifier facilement la distance entre le bord avant de la lame et la pièce à travailler, lorsque la lame est réglée sur la profondeur maximale de coupe. (Fig. 11)

NOTE :

- Le carter de protection inférieur ne se déplace pas toujours facilement lors des coupes d'onglet. Il faut alors utiliser le levier rétractable pour soulever le carter de protection inférieur et commencer la coupe, puis, dès que la lame pénètre le matériau, relâcher le levier rétractable. (Fig. 12)

⚠ ATTENTION :


- N'utilisez pas la lame si elle est déformée ou fissurée. Remplacez-la par une neuve.
- N'empilez pas les matériaux pour les couper.
- Ne coupez pas l'acier trempé, l'acier inoxydable, l'aluminium, le bois, le plastique, le béton, la tuile, etc. **Coupez uniquement l'acier doux.**
- Ne touchez pas la lame, la pièce ou les copeaux à main nue immédiatement après la coupe, car ils peuvent être extrêmement chauds et risqueraient de vous brûler la peau.
- **Utilisez toujours des lames à dents de carbure de tungstène qui conviennent au travail à effectuer.** L'utilisation d'une lame inadéquate peut entraîner une performance de coupe médiocre et/ou constituer un risque de blessure.

Mise au rebut des copeaux

⚠ ATTENTION :

- Assurez-vous toujours que l'outil est hors tension et débranché avant de retirer ou d'installer le capuchon anti-poussière.
- Le capuchon anti-poussière peut devenir chaud au contact des copeaux chauds. Ne touchez pas les copeaux ou le capuchon à main nue.

Mettez les copeaux au rebut lorsqu'ils deviennent visibles dans la fenêtre du viseur. (Fig. 13)

Appuyez sur le bouton et tournez-le dans le sens des aiguilles d'une montre jusqu'au symbole  et retirez le capuchon anti-poussière. Mettez au rebut les copeaux accumulés à l'intérieur du capuchon anti-poussière. (Fig. 14)

⚠ ATTENTION :

- Ne mettez pas l'outil à l'envers. Les copeaux accumulés à l'intérieur du capuchon anti-poussière risqueraient de sortir.
- Manipulez doucement le capuchon anti-poussière pour éviter de le déformer ou de l'endommager.

ENTRETIEN

⚠ ATTENTION :

- Assurez-vous toujours que l'outil est hors tension et débranché avant d'y effectuer tout travail d'inspection ou d'entretien.

- **Nettoyez les carters de protection supérieur et inférieur pour garantir l'absence de copeaux métalliques accumulés susceptibles d'empêcher le bon fonctionnement du système de protection inférieur.** Un système de protection encrassé peut empêcher le bon fonctionnement et entraîner de graves blessures. **Si vous utilisez de l'air comprimé pour chasser les copeaux métalliques des carters de protection, veillez à utiliser une protection oculaire et respiratoire adéquate.**
- N'utilisez jamais d'essence, benzine, diluant, alcool ou autre produit similaire. Cela risquerait de provoquer la décoloration, la déformation ou la fissuration de l'outil.

Inspection de la lame

- Avant et après chaque utilisation, vérifiez soigneusement l'absence de fissures ou de dommages sur la lame. Veuillez remplacer immédiatement toute lame fissurée ou endommagée.
- Il y a risque de dangereux choc en retour et/ou de surcharge du moteur si une lame émoussée est utilisée. Remplacez la lame par une neuve si elle ne coupe plus bien.
- **Les lames à dents de carbure de tungstène pour scie circulaire à métaux ne peuvent pas être réaffûtées.**

Remplacement des charbons (Fig. 15 et 16)

Retirez et vérifiez régulièrement les charbons. Remplacez-les lorsqu'ils sont usés jusqu'au trait de limite d'usure. Maintenez les charbons propres et en état de glisser aisément dans les porte-charbon. Les deux charbons doivent être remplacés en même temps. N'utilisez que des charbons identiques.

Utilisez un tournevis pour retirer les bouchons de porte-charbon. Enlevez les charbons usés, insérez-en de nouveaux et revissez solidement les bouchons de porte-charbon.

Pour maintenir la SÉCURITÉ et la FIABILITÉ du produit, les réparations, et tout autre travail d'entretien ou de réglage doivent être effectués dans un centre de service Makita agréé, exclusivement avec des pièces de rechange Makita.

ACCESSOIRES EN OPTION

⚠ ATTENTION :

- Les accessoires ou pièces supplémentaires qui suivent sont recommandés pour l'utilisation avec l'outil Makita spécifié dans ce manuel. L'utilisation de tout autre accessoire ou pièce supplémentaire peut comporter un risque de blessure. Utilisez uniquement l'accessoire ou la pièce supplémentaire dans le but spécifié.

Pour obtenir plus de détails sur ces accessoires, contactez votre Centre d'Entretien local Makita.

- Garde de refente (garde parallèle)
- Les lames à dents de carbure de tungstène recommandées et leurs spécifications

NOTE :

- Il se peut que certains éléments de la liste soient compris dans l'emballage de l'outil en tant qu'accessoires standard. Ils peuvent varier d'un pays à l'autre.

	Usages													
	MÉTAL EN FEUILLE		MONTANT EN "C"		MONTANT EN ANGLE		MONTANT MÉTALLIQUE		BARRE NERVURÉE	PIPE			TÔLE ONDULÉE	
Taille (mm)	t=1,5	t=3,0	50x100 t=1,6	45x90 t=3,2	50x50 t=4	50x50 t=6	t=0,56 25Ga	t=1,6 16Ga	Ø20	50x100 t=3,2	Ø25 t=1,2	Ø60 t=3,8	t=0-0,9	t=1,0-2,0
185x36T	✗	○	✗	○	○	○	○	✗	○	○	△	○	✗	✗
185x38T	△	○	△	○	○	○	○	△	○	○	○	○	✗	✗
185x48T	○	○	○	○	△	○	○	○	△	○	○	△	✗	△
185x70T	○	△	✗	✗	✗	✗	△	✗	✗	✗	✗	✗	○	△

005705

○ Excellent ○ Bon △ Moyen ✗ Ne s'applique pas

⚠ ATTENTION :

- Utilisez toujours des lames à dents de carbure de tungstène qui conviennent au travail à effectuer. Ne coupez pas l'aluminium, le bois, le plastique, le béton, la tuile, etc.
- Les lames à dents de carbure de tungstène pour scie à métal ne doivent pas être réaffûtées.

ENG905-1

Bruit

Niveau de bruit pondéré A typique, déterminé selon EN62841-2-5 :

Niveau de pression sonore (L_{pA}) : 105 dB (A)

Niveau de puissance sonore (L_{WA}) : 113 dB (A)

Incertitude (K) : 3 dB (A)

ENG907-1

NOTE :

- La ou les valeurs d'émission de bruit déclarées ont été mesurées conformément à la méthode de test standard et peuvent être utilisées pour comparer les outils entre eux.
- La ou les valeurs d'émission de bruit déclarées peuvent aussi être utilisées pour l'évaluation préliminaire de l'exposition.

⚠ AVERTISSEMENT :

- Portez un serre-tête antibruit.
- L'émission de bruit lors de l'usage réel de l'outil électrique peut être différente de la ou des valeurs déclarées, suivant la façon dont l'outil est utilisé, particulièrement selon le type de pièce usinée.
- Les mesures de sécurité à prendre pour protéger l'utilisateur doivent être basées sur une estimation de l'exposition dans des conditions réelles d'utilisation (en tenant compte de toutes les composantes du cycle d'utilisation, comme par exemple le moment de sa mise hors tension, lorsqu'il tourne à vide et le moment de son déclenchement).

ENG900-1

Vibrations

Valeur totale de vibrations (somme de vecteur triaxial) déterminée selon EN62841-2-5 :

Mode de travail : coupe du métal

Émission de vibrations ($a_{h, M}$) : 2,5 m/s² ou moins

Incertitude (K) : 1,5 m/s²

NOTE :

- La ou les valeurs de vibration totales déclarées ont été mesurées conformément à la méthode de test standard et peuvent être utilisées pour comparer les outils entre eux.
- La ou les valeurs de vibration totales déclarées peuvent aussi être utilisées pour l'évaluation préliminaire de l'exposition.

⚠ AVERTISSEMENT :

- L'émission de vibrations lors de l'usage réel de l'outil électrique peut être différente de la ou des valeurs déclarées, suivant la façon dont l'outil est utilisé, particulièrement selon le type de pièce usinée.
- Les mesures de sécurité à prendre pour protéger l'utilisateur doivent être basées sur une estimation de l'exposition dans des conditions réelles d'utilisation (en tenant compte de toutes les composantes du cycle d'utilisation, comme par exemple le moment de sa mise hors tension, lorsqu'il tourne à vide et le moment de son déclenchement).

DÉCLARATION DE CONFORMITÉ**Pour les pays d'Europe uniquement**

Les déclarations de conformité sont fournies en Annexe A à ce mode d'emploi.

ENG901-2

1 Hebel	9 Spindelarretierung	17 Schraube
2 Tiefenführung	10 Innensechskantschraube	18 Werkstück
3 Schnittlinie	11 Außenflansch	19 Sichtfenster
4 Ein-Aus-Schalter	12 Hartmetallbestücktes Sägeblatt	20 Rückzughebel
5 Einschaltsperrknopf	13 Innenflansch	21 Verschleißgrenze
6 Staubabdeckung	14 Schlitz	22 Schraubendreher
7 Knopf	15 Rippe	23 Bürstenhalterkappe
8 Inbusschlüssel	16 Parallelanschlag (Führungslinieal)	

TECHNISCHE DATEN

GEB155-1

Modell	4131
Sägeblattdurchmesser	185 mm
Max. Schnitttiefe	63 mm
Leerlaufdrehzahl (min ⁻¹)	3.500
Gesamtlänge	358 mm
Nettogewicht	4,8 kg
Sicherheitsklasse	II

- Wir behalten uns vor, Änderungen im Zuge der Entwicklung und des technischen Fortschritts ohne vorherige Ankündigung vorzunehmen.
- Die technischen Daten können von Land zu Land abweichen.
- Gewicht nach EPTA-Verfahren 01/2014

ENE022-1

Vorgesehene Verwendung

Die Maschine ist für das Sägen von Weichstahl vorgesehen.

ENF002-2

Stromversorgung

Die Maschine sollte nur an eine Stromquelle angeschlossen werden, deren Spannung mit der Angabe auf dem Typenschild übereinstimmt, und kann nur mit Einphasen-Wechselstrom betrieben werden. Diese sind doppelt schutzisoliert und können daher auch an Steckdosen ohne Erdleiter verwendet werden.

GEA010-2

Allgemeine Sicherheitswarnungen für Elektrowerkzeuge

⚠️ WARNUNG: Lesen Sie alle Sicherheitshinweise, Anweisungen, Abbildungen und Spezifikationen, die diesem Elektrowerkzeug beiliegen. Eine Missachtung der unten aufgeführten Anweisungen kann zu einem elektrischen Schlag, Brand und/oder schweren Verletzungen führen.

Bewahren Sie alle Warnungen und Anweisungen für spätere Bezugnahme auf.

Der Ausdruck „Elektrowerkzeug“ in den Warnhinweisen bezieht sich auf Ihr mit Netzstrom (mit Kabel) oder Akku (ohne Kabel) betriebenes Elektrowerkzeug.

SICHERHEITSWARNUNGEN FÜR METALL-HANDKREISSÄGE

Schneidverfahren

1. **⚠️ GEFAHR:** Halten Sie Ihre Hände vom Schnittbereich und vom Sägeblatt fern. Halten Sie mit der zweiten Hand den Zusatzgriff oder das Motorgehäuse. Wenn beide Hände die Säge halten, können sie nicht durch das Sägeblatt verletzt werden.
2. **Fassen Sie nicht unter das Werkstück.** Die Schutzhaube bietet keinen Schutz auf der Unterseite des Werkstücks.
3. **Stellen Sie die Schnitttiefe auf die Dicke des Werkstücks ein.** Das Sägeblatt darf nicht mehr als eine Zahnlänge auf der Unterseite des Werkstücks überstehen.
4. **Halten Sie das Werkstück beim Schneiden niemals in Ihren Händen oder auf den Beinen. Sichern Sie das Werkstück auf einer stabilen Plattform.** Es ist wichtig, das Werkstück sachgemäß abzustützen, um Körperaussetzung, Klemmen des Sägeblatts oder Verlust der Kontrolle auf ein Minimum zu reduzieren.
5. **Halten Sie das Elektrowerkzeug an den isolierten Griffflächen, wenn Sie Arbeiten ausführen, bei denen die Gefahr besteht, dass das Schneidwerkzeug verborgene Kabel oder das eigene Kabel kontaktiert.** Bei Kontakt mit einem Strom führenden Kabel können die freiliegenden Metallteile des Elektrowerkzeugs ebenfalls Strom führend werden, so dass der Benutzer einen elektrischen Schlag erleiden kann.
6. **Verwenden Sie beim Längssägen stets einen Parallelanschlag oder ein Richtlineal.** Dadurch wird die Schnittgenauigkeit verbessert und die Gefahr von Sägeblatt-Klemmen reduziert.
7. **Verwenden Sie stets Sägeblätter, deren Spindelbohrung die korrekte Größe und Form (rautenförmig oder rund) hat.** Sägeblätter, die nicht genau auf den Montageflansch der Säge passen, rotieren exzentrisch und verursachen den Verlust der Kontrolle.
8. **Verwenden Sie niemals beschädigte oder falsche Sägeblattscheiben oder -schrauben.** Die Sägeblattscheiben und -schrauben sind speziell für Ihre Säge vorgesehen, um optimale Leistung und Betriebssicherheit zu gewährleisten.

Rückschlagursachen und damit zusammenhängende Warnungen

- Ein Rückschlag ist eine plötzliche Reaktion auf ein eingeklemmtes, blockiertes oder falsch ausgerichtetes Sägeblatt, der ein unkontrolliertes Anheben und Herausspringen der Säge aus dem Werkstück in Richtung der Bedienungsperson verursacht.
- Wenn das Sägeblatt durch den sich schließenden Sägeschlitz eingeklemmt oder blockiert wird, bleibt das Sägeblatt stehen, und die Motorreaktion drückt die Säge plötzlich in Richtung der Bedienungsperson zurück.
- Falls das Sägeblatt im Schnitt verdreht oder versetzt wird, können sich die Zähne an der Hinterkante des Sägeblatts in die Oberfläche des Werkstücks bohren, so dass sich das Sägeblatt aus dem Sägeschlitz heraushebt und in Richtung der Bedienungsperson zurückspringt.

Rückschlag ist das Resultat falscher Handhabung der Säge und/oder falscher Arbeitsverfahren oder -bedingungen und kann durch Anwendung der nachstehenden Vorsichtsmaßnahmen vermieden werden.

1. **Halten Sie die Säge mit beiden Händen fest, und positionieren Sie Ihre Arme so, dass sie die Rückschlagkräfte auffangen. Stellen Sie sich so, dass sich Ihr Körper seitlich vom Sägeblatt befindet, nicht auf gleicher Linie mit dem Sägeblatt.** Rückschlag kann Zurückspringen der Säge verursachen; doch wenn geeignete Vorkehrungen getroffen werden, können die Rückschlagkräfte von der Bedienungsperson unter Kontrolle gehalten werden.
2. **Falls das Sägeblatt klemmt oder der Schnitt aus irgendeinem Grund unterbrochen wird, lassen Sie den Ein-Aus-Schalter los, und halten Sie die Säge bewegungslos im Werkstück, bis das Sägeblatt zum völligen Stillstand kommt. Versuchen Sie niemals, die Säge bei noch rotierendem Sägeblatt vom Werkstück abzunehmen oder zurückzuziehen, weil es sonst zu einem Rückschlag kommen kann.** Nehmen Sie eine Überprüfung vor, und treffen Sie Abhilfemaßnahmen, um die Ursache von Sägeblatt-Klemmen zu beseitigen.
3. **Wenn Sie die Säge bei im Werkstück befindlichem Sägeblatt wieder einschalten, zentrieren Sie das Sägeblatt im Sägeschlitz, und vergewissern Sie sich, dass die Sägezähne nicht mit dem Werkstück im Eingriff sind.** Falls ein Sägeblatt klemmt, kann es beim Wiedereinschalten der Säge aus dem Werkstück herauschnellen oder zurückspringen.
4. **Stützen Sie große Platten ab, um die Gefahr von Klemmen und Rückschlagen des Sägeblatts auf ein Minimum zu reduzieren.** Große Platten neigen dazu, unter ihrem Eigengewicht durchzuhängen. Die Stützen müssen beidseitig der Schnittlinie und in der Nähe der Plattenkante unter der Platte platziert werden.
5. **Verwenden Sie keine stumpfen oder beschädigten Sägeblätter.** Unschärfe oder falsch angebrachte Sägeblätter erzeugen einen schmalen Sägeschlitz, der übermäßige Reibung, Sägeblatt-Klemmen und Rückschlag verursacht.
6. **Die Sägeblatttiefen- und Neigungseinstellungs-Arretierhebel müssen fest angezogen und gesichert sein, bevor der Schnitt ausgeführt wird.** Falls sich die Sägeblatteinstellung während des Sägens verstellt, kann es zu Klemmen und Rückschlag kommen.

7. **Lassen Sie beim Sägen in vorhandene Wände oder andere tote Winkel besondere Vorsicht walten.** Das vorstehende Sägeblatt kann Objekte durchschneiden, die Rückschlag verursachen können.
8. **Halten Sie das Werkzeug IMMER mit beiden Händen fest. Halten Sie NIEMALS Ihre Hand, Ihr Bein oder irgendeinen Körperteil unter die Werkzeugbasis oder hinter die Säge, insbesondere bei der Ausführung von Querschnitten.** Falls Rückschlag auftritt, besteht die Gefahr, dass die Säge über Ihre Hand zurückspringt und schwere Personenschäden verursacht.
9. **Wenden Sie keine Gewalt auf die Säge an. Schieben Sie die Säge mit einer Geschwindigkeit vor, dass das Sägeblatt nicht abgebremst wird.** Gewaltanwendung kann ungleichmäßige Schnitte, Verlust der Genauigkeit und möglichen Rückschlag verursachen.

Funktion der Schutzhaube

1. **Überprüfen Sie die untere Schutzhaube vor jeder Benutzung auf einwandfreies Schließen. Betreiben Sie die Säge nicht, falls sich die untere Schutzhaube nicht ungehindert bewegt und sofort schließt. Die untere Schutzhaube darf auf keinen Fall in der geöffneten Stellung festgeklemmt oder festgebunden werden.** Wird die Säge versehentlich fallen gelassen, kann die untere Schutzhaube verbogen werden. Heben Sie die untere Schutzhaube mit dem Rückzuggriff an, und vergewissern Sie sich, dass sie sich ungehindert bewegt und bei allen Winkel- und Schnitttiefen-Einstellungen nicht mit dem Sägeblatt oder irgendeinem anderen Teil in Berührung kommt.
2. **Überprüfen Sie die Funktion der Feder der unteren Schutzhaube.** Falls Schutzhaube und Feder nicht einwandfrei funktionieren, müssen die Teile vor der Benutzung gewartet werden. Falls beschädigte Teile, klebrige Ablagerungen oder Schmutzansammlung vorhanden sind, kann die untere Schutzhaube schwergängig werden.
3. **Die untere Schutzhaube sollte nur für spezielle Schnitte, wie „Tauschnitte“ und „Doppelwinkelschnitte“, manuell zurückgezogen werden.** Heben Sie die untere Schutzhaube mit dem Rückzuggriff an, und sobald das Sägeblatt in das Werkstück eindringt, muss die untere Schutzhaube losgelassen werden. Für alle anderen Sägearbeiten sollte die untere Schutzhaube automatisch betätigt werden.
4. **Vergewissern Sie sich stets, dass die untere Schutzhaube das Sägeblatt verdeckt, bevor Sie die Säge auf der Werkbank oder dem Boden ablegen.** Ein ungeschützt auslaufendes Sägeblatt bewirkt Rückwärtskriechen der Säge und schneidet alles, was sich in seinem Weg befindet. Berücksichtigen Sie die Auslaufzeit des Sägeblatts bis zum Stillstand nach dem Loslassen des Schalters.
5. **Öffnen Sie die untere Schutzhaube probeweise von Hand, und achten Sie beim Loslassen darauf, dass sie sich einwandfrei schließt. Vergewissern Sie sich auch, dass der Rückzuggriff nicht mit dem Werkzeuggehäuse in Berührung kommt.** Die Bloßstellung des Sägeblatts ist SEHR GEFÄHRLICH und kann zu schweren Verletzungen führen.

Zusätzliche Sicherheitswarnungen

1. **Bremsen Sie die Säge nicht durch seitlichen Druck auf das Sägeblatt ab.**
2. **GEFAHR:**
Versuchen Sie nicht, abgeschnittenes Material bei rotierendem Sägeblatt zu entfernen.
VORSICHT: Die Sägeblätter laufen nach dem Ausschalten nach.
3. **Setzen Sie den breiteren Teil der Grundplatte auf den fest abgestützten Teil des Werkstücks, nicht auf den Teil, der nach dem Schnitt herunterfällt. Kurze oder kleine Werkstücke müssen eingespannt werden. VERSUCHEN SIE NICHT, KURZE WERKSTÜCKE MIT DER HAND ZU HALTEN!**
4. **Versuchen Sie niemals, das Werkzeug zum Schneiden verkehrt herum in einen Schraubstock einzuspannen. Dies ist sehr gefährlich und kann zu schweren Unfällen führen.**
5. **Tragen Sie eine Schutzbrille und einen Gehörschutz während der Arbeit.**
6. **Verwenden Sie keine Schleifscheiben.**
7. **Verwenden Sie nur Sägeblätter mit einem Durchmesser, der am Werkzeug markiert oder im Handbuch angegeben ist. Die Verwendung eines Sägeblatts mit falscher Größe kann den einwandfreien Schutz des Sägeblatts oder den Schutzbetrieb beeinträchtigen, was ernsthaften Personenschaden zur Folge haben kann.**
8. **Verwenden Sie immer das zum Schneiden des jeweiligen Arbeitsmaterials vorgesehene Sägeblatt.**
9. **Verwenden Sie nur Sägeblätter, die mit einer Drehzahl markiert sind, die der am Werkzeug angegebenen Drehzahl entspricht oder diese übertrifft.**

DIESE ANWEISUNGEN AUFBEWAHREN.

⚠️ WARNUNG:

Lassen Sie sich NICHT durch Bequemlichkeit oder Vertrautheit mit dem Produkt (durch wiederholten Gebrauch erworben) von der strikten Einhaltung der Sicherheitsregeln für das vorliegende Produkt abhalten. **MISSBRAUCH** oder Missachtung der Sicherheitsvorschriften in dieser Anleitung können schwere Personenschäden verursachen.

FUNKTIONSBESCHREIBUNG

⚠️ VORSICHT:

- Vergewissern Sie sich vor jeder Einstellung oder Funktionsprüfung der Maschine stets, dass sie ausgeschaltet und vom Stromnetz getrennt ist.

Einstellen der Schnitttiefe (Abb. 1)

Lösen Sie den Hebel an der Tiefenführung, und ziehen Sie die Grundplatte nach oben oder unten. Arretieren Sie die Grundplatte an der gewünschten Schnitttiefe durch Festziehen des Hebels.

⚠️ VORSICHT:

- Ziehen Sie den Hebel nach der Einstellung der Schnitttiefe stets fest an.

Schnittmarkierung (Abb. 2)

Richten Sie zum Schneiden die Kerbe A in der Vorderkante der Grundplatte auf die Schnittlinie am Werkstück aus.

Schalterfunktion

⚠️ VORSICHT:

- Vergewissern Sie sich vor dem Anschließen der Maschine an das Stromnetz stets, dass der Ein-Aus-Schalter ordnungsgemäß funktioniert und beim Loslassen in die AUS-Stellung zurückkehrt.

Für Maschine mit Einschaltsperrknopf (Abb. 3)

Um versehentliche Betätigung des Ein-Aus-Schalters zu verhüten, ist die Maschine mit einem Einschaltsperrknopf ausgestattet.

Betätigen Sie zum Starten der Maschine den Ein-Aus-Schalter bei gedrücktem Einschaltsperrknopf. Lassen Sie zum Ausschalten den Ein-Aus-Schalter los.

⚠️ VORSICHT:

- Betätigen Sie den Ein-Aus-Schalter nicht gewaltsam, ohne den Einschaltsperrknopf hineinzudrücken. Dies kann zu einer Beschädigung des Schalters führen.

Für Maschine ohne Einschaltsperrknopf (Abb. 4)

Zum Einschalten der Maschine einfach den Ein-Aus-Schalter drücken. Zum Ausschalten den Ein-Aus-Schalter loslassen.

MONTAGE


⚠️ VORSICHT:

- Vergewissern Sie sich vor der Ausführung von Arbeiten an der Maschine stets, dass sie ausgeschaltet und vom Stromnetz getrennt ist.

Montieren und Demontieren des Sägeblatts


⚠️ VORSICHT:

- Verwenden Sie nur den mitgelieferten Makita-Inbusschlüssel zum Montieren und Demontieren des Sägeblatts. Anderenfalls besteht die Gefahr, dass die Innensechskantschraube zu fest oder unzureichend angezogen wird. Dies könnte zu schwerer Verletzung der Bedienungsperson führen.
- Vermeiden Sie eine Berührung des Sägeblatts unmittelbar nach dem Schneiden, weil es dann noch sehr heiß ist und Hautverletzungen verursachen kann. Ziehen Sie Handschuhe an, um das heiße Sägeblatt zu entfernen.

Drücken Sie zum Entfernen des Sägeblatts zuerst den Sicherungsknopf der Staubabdeckung hinein, und drehen Sie ihn im Uhrzeigersinn auf das Symbol , um die Staubabdeckung abzunehmen. Drücken Sie die Spindelaretierung, um das Sägeblatt zu blockieren, und lösen Sie die Innensechskantschraube, indem Sie den Inbusschlüssel entgegen dem Uhrzeigersinn drehen. Entfernen Sie dann den Außenflansch und das Sägeblatt. **(Abb. 5 und 6)**

Zum Montieren des Sägeblatts ist das Demontageverfahren umgekehrt anzuwenden. Montieren Sie das Sägeblatt stets so, dass der Pfeil auf dem Sägeblatt in die gleiche Richtung zeigt wie der Pfeil auf dem Sägeblattgehäuse.

ZIEHEN SIE DIE INNENSECHSKANTSCHRAUBE FEST AN. (Abb. 7)

Bringen Sie nach der Montage des Sägeblatts die Staubabdeckung wieder an. Schieben Sie die Staubabdeckung vorsichtig in ihre Position, so dass der Schlitz in ihrer Vorderseite auf der Rippe des Sägeblattgehäuses sitzt. Vergewissern Sie sich, dass die Staubabdeckung einwandfrei sitzt, bevor Sie den Knopf hineindrücken und entgegen dem Uhrzeigersinn auf das Symbol  drehen. **(Abb. 8)**

Reinigung der Sägeblattschutzhäube

Wenn Sie das Sägeblatt auswechseln, reinigen Sie auch unbedingt die obere und untere Schutzhäube von angesammelten Metallspänen, wie im Abschnitt „Wartung“ beschrieben. Solche Arbeiten erübrigen jedoch nicht die Notwendigkeit, die Funktion der unteren Schutzhäube vor jedem Gebrauch zu überprüfen.

Parallelanschlag (Führungslinéal) (Zubehör)

(Abb. 9)

Der praktische Parallelanschlag (Führungslinéal) ermöglicht die Ausführung besonders genauer Geradschnitte. Schieben Sie den Parallelanschlag einfach satt anliegend gegen die Werkstückkante, und sichern Sie ihn mit der Feststellschraube an der Vorderseite des Gleitschuhs. Wiederholte Schnitte auf gleiche Breite sind ebenfalls möglich.

BETRIEB

⚠ VORSICHT:

- Unterlassen Sie Verdrehen oder gewaltsames Hineindrücken der Maschine in den Schnitt. Dies kann zu einer Überlastung des Motors und/oder zu einem gefährlichen Rückschlag führen, der schwere Verletzungen der Bedienungsperson verursachen kann.

Halten Sie die Maschine mit beiden Händen fest. Setzen Sie die Grundplatte auf das zu schneidende Werkstück auf, ohne dass das Sägeblatt mit dem Werkstück in Berührung kommt. Schalten Sie dann die Maschine ein und warten Sie, bis das Sägeblatt die volle Drehzahl erreicht hat. Schieben Sie die Maschine flach und gleichmäßig über die Werkstückoberfläche vorwärts, bis der Schnitt vollendet ist. Halten Sie eine gerade Schnittlinie und eine gleichmäßige Vorschubgeschwindigkeit ein. (Abb. 10)

Das Sichtfenster in der Grundplatte erleichtert die Überprüfung des Abstands zwischen der Vorderkante des Sägeblatts und dem Werkstück, wenn das Sägeblatt auf die maximale Schnitttiefe eingestellt ist. (Abb. 11)

HINWEIS:

- Bei der Ausführung von Gehrungsschnitten usw. kann es vorkommen, dass die Schutzhäube schwergängig wird. Verwenden Sie in solchen Fällen den Rückzughebel, um die Schutzhäube zum Starten des Schnitts anzuheben, und lassen Sie ihn los, sobald das Sägeblatt in das Material einschneidet. (Abb. 12)

⚠ VORSICHT:


- Verwenden Sie kein verformtes oder angerissenes Sägeblatt. Ersetzen Sie es durch ein neues.
- Schichten Sie Werkstücke zum Schneiden nicht übereinander.
- Schneiden Sie keine Werkstücke aus gehärtetem Stahl, Edelstahl, Aluminium, Holz, Kunststoff, Beton, Fliesen usw. **Schneiden Sie nur Weichstahl.**
- Vermeiden Sie eine Berührung des Sägeblatts, des Werkstücks oder der Späne unmittelbar nach dem Schneiden, weil sie dann noch sehr heiß sind und Hautverbrennungen verursachen können.
- **Verwenden Sie nur für die jeweilige Arbeit geeignete hartmetallbestückte Sägeblätter.** Die Verwendung ungeeigneter Sägeblätter kann zu schlechter Schnittleistung führen und/oder eine Verletzungsgefahr darstellen.

Spänebeseitigung

⚠ VORSICHT:

- Vergewissern Sie sich vor der Demontage oder Montage der Staubabdeckung stets, dass die Maschine ausgeschaltet und vom Stromnetz getrennt ist.
- Die Staubabdeckung kann von heißen Spänen heiß werden. Vermeiden Sie eine Berührung der Späne oder der Staubabdeckung mit bloßen Händen.

Beseitigen Sie die Späne, wenn sie durch das Sichtfenster sichtbar sind. (Abb. 13)

Drücken Sie den Knopf hinein, und drehen Sie ihn im Uhrzeigersinn auf das Symbol , um die Staubabdeckung abzunehmen. Beseitigen Sie die in der Staubabdeckung angesammelten Späne. (Abb. 14)

⚠ VORSICHT:

- Drehen Sie die Maschine nicht um. Die in der Staubabdeckung angesammelten Späne können sonst herausfallen.
- Behandeln Sie die Staubabdeckung sorgfältig, damit sie nicht verformt oder beschädigt wird.

WARTUNG

⚠ VORSICHT:

- Denken Sie vor der Durchführung von Überprüfungen oder Wartungsarbeiten stets daran, die Maschine auszuschalten und vom Stromnetz zu trennen.
- **Säubern Sie die obere und untere Schutzhäube, um sicherzugehen, dass keine angesammelten Metallspäne vorhanden sind, welche die Funktion des unteren Schutzsystems beeinträchtigen können.** Ein verschmutztes Schutzsystem kann die ordnungsgemäße Funktion einschränken, was zu schweren Personenschäden führen kann. **Wenn Sie Metallspäne mit Druckluft aus den Schutzhauben ausblasen, tragen Sie einen geeigneten Augen- und Atemschutz.**
- Verwenden Sie auf keinen Fall Benzin, Benzol, Verdünnern, Alkohol oder dergleichen. Solche Mittel können Verfärbung, Verformung oder Rissbildung verursachen.

Überprüfen des Sägeblatts

- Überprüfen Sie das Sägeblatt vor und nach jeder Benutzung sorgfältig auf Risse oder Beschädigung. Wechseln Sie ein gerissenes oder beschädigtes Sägeblatt unverzüglich aus.
- Die fortgesetzte Benutzung eines stumpfen Sägeblatts kann gefährlichen Rückschlag und/oder Motorüberlastung verursachen. Ersetzen Sie das Sägeblatt durch ein neues, sobald es nicht mehr effektiv schneidet.
- **Hartmetallbestückte Sägeblätter für Metall-Handkreissäge können nicht nachgeschärft werden.**

Auswechseln der Kohlebürsten (Abb. 15 und 16)

Die Kohlebürsten müssen regelmäßig entfernt und überprüft werden. Wenn sie bis zur Verschleißgrenze abgenutzt sind, müssen sie erneuert werden. Halten Sie die Kohlebürsten stets sauber, damit sie ungehindert in den Haltern gleiten können. Beide Kohlebürsten sollten gleichzeitig erneuert werden. Verwenden Sie nur identische Kohlebürsten.

Drehen Sie die Bürstenhalterkappen mit einem Schraubendreher heraus. Nehmen Sie die abgenutzten Kohlebürsten heraus, setzen Sie die neuen ein, und drehen Sie dann die Bürstenhalterkappen wieder ein.

Um die SICHERHEIT und ZUVERLÄSSIGKEIT dieses Produkts zu gewährleisten, sollten Reparaturen und andere Wartungs- oder Einstellarbeiten nur von Makita-Kundendienstzentren unter ausschließlicher Verwendung von Makita-Originalersatzteilen ausgeführt werden.

SONDERZUBEHÖR

⚠ VORSICHT:

- Die folgenden Zubehöreile oder Vorrichtungen werden für den Einsatz mit der in dieser Anleitung beschriebenen Makita-Maschine empfohlen. Die Verwendung anderer Zubehöreile oder Vorrichtungen kann eine Verletzungsgefahr darstellen. Verwenden Sie Zubehöreile oder Vorrichtungen nur für ihren vorgesehenen Zweck.

Wenn Sie weitere Einzelheiten bezüglich dieser Zubehöreile benötigen, wenden Sie sich bitte an Ihre Makita-Kundendienststelle.

- Parallelanschlag (Führungslinie)
- Empfohlene hartmetallbestückte Sägeblätter und Werkstückdicken

HINWEIS:

- Manche Teile in der Liste können als Standardzubehör im Werkzeugsatz enthalten sein. Sie können von Land zu Land unterschiedlich sein.

Hartmetallbestückte Sägeblätter für zahlreiche Anwendungen

	Anwendungen													
	BLECHTAFEL		C-BOLZEN		WINKELBOLZEN		METALLBOLZEN		BETONRIP-PENSTAHL	ROHR			WELLBLECH	
Größe (mm)	t=1,5	t=3,0	50x100 t=1,6	45x90 t=3,2	50x50 t=4	50x50 t=6	t=0,56 25Ga	t=1,6 16Ga	Ø20	50x100 t=3,2	Ø25 t=1,2	Ø60 t=3,8	t=0-0,9	t=1,0-2,0
185x36T	✗	○	✗	○	○	○	○	✗	○	○	△	○	✗	✗
185x38T	△	○	△	○	○	○	○	△	○	○	○	○	✗	✗
185x48T	○	○	○	○	△	○	○	○	△	○	○	△	✗	△
185x70T	○	△	✗	✗	✗	✗	△	✗	✗	✗	✗	✗	○	△

005705



Ausgezeichnet



Gut



Akzeptabel



Ungeeignet

⚠ VORSICHT:

- Verwenden Sie nur für die jeweilige Arbeit geeignete hartmetallbestückte Sägeblätter. Schneiden Sie keine Werkstücke aus Aluminium, Holz, Kunststoff, Beton, Fliesen usw.
- Hartmetallbestückte Sägeblätter für Metallkreissägen dürfen nicht nachgeschärft werden.

ENG905-1

Geräusch

Typischer A-bewerteter Geräuschpegel ermittelt gemäß EN62841-2-5:

Schalldruckpegel (L_{pA}): 105 dB (A)

Schalleistungspegel (L_{WA}): 113 dB (A)

Ungewissheit (K): 3 dB (A)

ENG907-1

HINWEIS:

- Der (Die) angegebene(n) Schallemissionswert(e) wurde(n) im Einklang mit der Standardprüfmethode gemessen und kann (können) für den Vergleich zwischen Werkzeugen herangezogen werden.
- Der (Die) angegebene(n) Schallemissionswert(e) kann (können) auch für eine Vorbewertung des Gefährdungsgrads verwendet werden.

⚠ WARNUNG:

- Einen Gehörschutz tragen.
- Die Schallemission während der tatsächlichen Benutzung des Elektrowerkzeugs kann je nach der Benutzungsweise des Werkzeugs, und speziell je nach der Art des bearbeiteten Werkstücks, von dem (den) angegebenen Wert(en) abweichen.
- Identifizieren Sie Sicherheitsmaßnahmen zum Schutz des Benutzers anhand einer Schätzung des Gefährdungsgrads unter den tatsächlichen Benutzungsbedingungen (unter Berücksichtigung aller Phasen des Arbeitszyklus, wie z. B. Ausschalt- und Leerlaufzeiten des Werkzeugs zusätzlich zur Betriebszeit).

ENG900-1

Vibration

Vibrationsgesamtwert (Drei-Achsen-Vektorsumme) ermittelt gemäß EN62841-2-5:

Arbeitsmodus: Schneiden von Metall

Vibrationsemission ($a_{h,M}$): 2,5 m/s² oder weniger

Ungewissheit (K): 1,5 m/s²

HINWEIS:

- Der (Die) angegebene(n) Vibrationsgesamtwert(e) wurde(n) im Einklang mit der Standardprüfmethode gemessen und kann (können) für den Vergleich zwischen Werkzeugen herangezogen werden.
- Der (Die) angegebene(n) Vibrationsgesamtwert(e) kann (können) auch für eine Vorbewertung des Gefährdungsgrads verwendet werden.

⚠️ WARNUNG:

- **Die Vibrationsemission während der tatsächlichen Benutzung des Elektrowerkzeugs kann je nach der Benutzungsweise des Werkzeugs, und speziell je nach der Art des bearbeiteten Werkstücks, von dem (den) angegebenen Emissionswert(en) abweichen.**
- **Identifizieren Sie Sicherheitsmaßnahmen zum Schutz des Benutzers anhand einer Schätzung des Gefährdungsgrads unter den tatsächlichen Benutzungsbedingungen (unter Berücksichtigung aller Phasen des Arbeitszyklus, wie z. B. Ausschalt- und Leerlaufzeiten des Werkzeugs zusätzlich zur Betriebszeit).**

KONFORMITÄTSERKLÄRUNGEN**Nur für europäische Länder**

Die Konformitätserklärungen sind in Anhang A dieser Betriebsanleitung enthalten.

Visione generale

- | | | |
|-------------------------|---------------------------------|---------------------------|
| 1 Leva | 9 Blocco albero | 17 Vite |
| 2 Guida di profondità | 10 Bullone ad esagono incassato | 18 Pezzo |
| 3 Linea di taglio | 11 Flangia esterna | 19 Finestrella di visione |
| 4 Interruttore | 12 Disco diamantato | 20 Leva retrattile |
| 5 Bottone di sblocco | 13 Flangia interna | 21 Segno limite |
| 6 Coperchio antipolvere | 14 Fessura | 22 Cacciavite |
| 7 Manopola | 15 Nervatura | 23 Tappo portaspaiole |
| 8 Chiave esagonale | 16 Guida pezzo (righello guida) | |

DATI TECNICI

GEB155-1

Modello	4131
Diametro disco	185 mm
Capacità massima di taglio	63 mm
Velocità senza carico (min ⁻¹)	3.500
Lunghezza totale	358 mm
Peso netto	4,8 kg
Classe di sicurezza	II/II

- Per il nostro programma di ricerca e sviluppo continui, i dati tecnici sono soggetti a modifiche senza preavviso.
- I dati tecnici potrebbero differire a seconda del paese di destinazione del modello.
- Peso in base alla procedura EPTA 01/2014

ENE022-1

Utilizzo previsto

L'utensile è progettato per il taglio del metallo dolce.

ENF002-2

Alimentazione

L'utensile deve essere collegato soltanto a una fonte di alimentazione con la stessa tensione di quella indicata sulla targhetta del nome, e può funzionare soltanto con la corrente alternata monofase. Esse hanno un doppio isolamento, per cui possono essere usate con le prese senza messa a terra.

GEA010-2

Avvertenze generali relative alla sicurezza dell'utensile elettrico

⚠ AVVERTIMENTO: Leggere tutte le avvertenze di sicurezza, le istruzioni, le illustrazioni e i dati tecnici forniti insieme a questo utensile elettrico. La mancata osservanza di tutte le istruzioni seguenti potrebbe risultare in scosse elettriche, incendi e/o gravi lesioni personali.

Conservare tutte le avvertenze e le istruzioni come riferimento futuro.

Il termine "utensile elettrico" nelle avvertenze si riferisce sia all'utensile elettrico (cablato) nel funzionamento alimentato da rete elettrica che all'utensile elettrico (a batteria) nel funzionamento alimentato a batteria.

AVVERTENZE DI SICUREZZA RELATIVE ALLA SEGA CIRCOLARE PER METALLO

Procedure di taglio

1. **⚠ PERICOLO:** Tenere le mani lontane dall'area di taglio e dalla lama. Tenere la mano che non impugna l'utensile sul manico ausiliario o sull'alloggiamento del motore. Se si mantiene la sega con entrambe le mani, queste ultime non possono venire tagliate dalla lama.
2. **Non mettere le mani sotto il pezzo.** La protezione non può proteggere l'operatore dalla lama al di sotto del pezzo.
3. **Regolare la profondità di taglio in base allo spessore del pezzo.** Sotto il pezzo i denti della lama dovrebbero essere visibili per una lunghezza inferiore a un intero dente.
4. **Non mantenere mai tra le mani o appoggiato di traverso sulla gamba il pezzo in lavorazione durante il taglio. Fissare il pezzo in lavorazione su una piattaforma stabile.** È importante sostenere correttamente il pezzo in lavorazione per ridurre al minimo l'esposizione del corpo, gli inceppamenti della lama o la perdita di controllo.
5. **Mantenere l'utensile elettrico per le superfici di impugnatura isolate quando si intende eseguire un'operazione in cui l'utensile da taglio potrebbe entrare in contatto con fili elettrici nascosti o con il proprio cavo di alimentazione.** Il contatto con un filo elettrico sotto tensione mette sotto tensione anche le parti metalliche esposte dell'utensile elettrico, e potrebbe causare una scossa elettrica all'operatore.
6. **Quando si intende eseguire tagli longitudinali, utilizzare sempre una guida di taglio o una guida per bordi dritti.** In tal modo si migliora la precisione del taglio e si riduce il rischio che la lama si blocchi.
7. **Utilizzare sempre lame con dimensione e forma corretta (a diamante rispetto a quella circolare) dei fori per l'albero.** Le lame che non corrispondono all'attacco di montaggio della sega girano decentrate, causando la perdita di controllo.
8. **Non utilizzare mai rondelle o bulloni per la lama danneggiati o errati.** Le rondelle e i bulloni per la lama sono stati progettati appositamente per le prestazioni ottimali e per la sicurezza d'uso della sega.

Cause dei contraccolpi e avvertenze correlate

- il contraccolpo è una reazione improvvisa dovuta a una lama incastrata, inceppata o disallineata, che causa il sollevamento fuori dal pezzo in lavorazione e verso l'operatore di una sega fuori controllo;

- quando la lama è incastrata o inceppata con forza dal taglio che si chiude, la lama entra in stallo e la reazione del motore spinge rapidamente all'indietro l'unità verso l'operatore;
- qualora la lama si deformi o si disallinei nel taglio, i denti sul bordo posteriore della lama possono scavare nella superficie superiore del pezzo in lavorazione, facendo risalire la lama fuori dal taglio e facendola saltare all'indietro verso l'operatore.

Il contraccolpo è il risultato dell'uso improprio della sega e/o di procedure o condizioni operative errate, e può essere evitato adottando le precauzioni appropriate indicate di seguito.

1. **Mantenere una presa solida con entrambe le mani sulla sega, e posizionare le braccia in modo da resistere alle forze del contraccolpo. Posizionare il corpo da un lato o dall'altro della lama, e non allineato con quest'ultima.** Un contraccolpo potrebbe far saltare all'indietro la sega, ma le sue forze possono essere controllate dall'operatore, se vengono adottate le precauzioni appropriate.
2. **Quando la lama si sta bloccando, oppure se per un qualsiasi motivo si intende interrompere il taglio, rilasciare l'interruttore e tenere la sega immobile nel materiale fino al suo arresto completo. Non cercare mai di rimuovere la sega dal pezzo o di tirarla all'indietro mentre la lama è in movimento, oppure si potrebbe verificare un contraccolpo.** Indagare e adottare delle misure correttive per eliminare la causa del blocco della lama.
3. **Quando si riavvia una sega all'interno di un pezzo in lavorazione, centrare la lama nel taglio in modo che i denti della sega non siano in contatto con il materiale.** Qualora la lama si inceppi, potrebbe risalire o produrre un contraccolpo dal pezzo in lavorazione quando la sega viene riavviata.
4. **Supportare i pannelli di grandi dimensioni per ridurre al minimo il rischio che la lama resti incastrata e i contraccolpi.** I pannelli di grandi dimensioni tendono a flettersi sotto il loro stesso peso. È necessario sistemare dei sostegni sotto il pannello su entrambi i lati, vicino alla linea di taglio e in prossimità dei bordi del pannello.
5. **Non utilizzare lame smussate o danneggiate.** Le lame non affilate o non applicate correttamente producono un taglio stretto che può causare frizione eccessiva, blocchi della lama e contraccolpi.
6. **Le leve di blocco della profondità della lama e di regolazione del taglio a unghia devono essere fissate saldamente prima del taglio.** Qualora la regolazione della lama si sposti durante il taglio, potrebbe causare un blocco o un contraccolpo della lama.
7. **Fare particolarmente attenzione quando si intende segare in pareti esistenti o altre aree cieche.** La lama che sporge potrebbe tagliare oggetti che possono causare contraccolpi.
8. **Tenere SEMPRE saldamente l'utensile con entrambe le mani. Non posizionare MAI una mano, una gamba o qualsiasi altra parte del corpo sotto la base dell'utensile o dietro la sega, specialmente quando si intende eseguire tagli di testa.** Qualora si verifichi un contraccolpo, la sega potrebbe facilmente saltare all'indietro sulla mano, causando gravi lesioni personali.

9. **Non forzare mai la sega. Spingere in avanti la sega a una velocità tale che la lama tagli senza rallentare.** Qualora si forzi la sega, si potrebbero causare tagli irregolari, perdita di precisione e possibili contraccolpi.

Funzione della protezione

1. **Controllare sempre che la protezione inferiore si chiuda correttamente prima dell'uso. Non utilizzare la sega qualora la protezione inferiore non si muova liberamente e non si chiuda istantaneamente. Non bloccare o legare mai la protezione inferiore in posizione di apertura.** Qualora la sega venga fatta cadere accidentalmente, la protezione inferiore potrebbe deformarsi. Sollevare la protezione inferiore con il manico retrattile e accertarsi che si muova liberamente e che non tocchi la lama o alcuna altra parte, a tutti gli angoli e a tutte le profondità di taglio.
2. **Controllare il funzionamento della molla della protezione inferiore. Qualora la protezione e la molla non funzionino correttamente, è necessario sottoporle a interventi di assistenza prima dell'uso.** La protezione inferiore potrebbe funzionare lentamente a causa di parti danneggiate, depositi gommosi o accumulazione di detriti.
3. **La protezione inferiore può essere fatta rientrare manualmente solo per tagli speciali quali i "tagli a immersione" e i "tagli compositi".** Sollevare la protezione inferiore facendo rientrare il manico retrattile e rilasciarla non appena la lama penetra nel materiale. Per tutti gli altri tagli, la protezione inferiore dovrebbe funzionare automaticamente.
4. **Accertarsi sempre che la protezione inferiore copra la lama prima di posare la sega sul banco di lavoro o sul pavimento.** Una lama non protetta in rotazione inerziale fa muovere all'indietro la sega, tagliando tutto ciò che incontra sul suo percorso. Tenere presente il tempo necessario alla lama per arrestarsi dopo il rilascio dell'interruttore.
5. **Per controllare la protezione inferiore, aprirla manualmente, quindi rilasciarla e osservarla mentre si chiude. Controllare anche che il manico retrattile non tocchi il corpo dell'utensile.** Lasciare la lama esposta È MOLTO PERICOLOSO e può causare gravi lesioni personali.

Avvertenze aggiuntive per la sicurezza

1. **Non arrestare la lama esercitando una pressione laterale sulla lama stessa.**
2. **PERICOLO:**
Non tentare di rimuovere il materiale tagliato quando la lama è in movimento.
ATTENZIONE: Le lame continuano a girare per inerzia dopo lo spegnimento.
3. **Collocare la porzione più ampia della base della sega sulla parte del pezzo supportata saldamente, e non sulla sezione destinata a cadere una volta eseguito il taglio.** Qualora il pezzo sia corto o piccolo, bloccarlo con una morsa. **NON TENTARE DI TENERE IN MANO I PEZZI CORTI!**
4. **Non tentare mai di eseguire un taglio con l'utensile mantenuto capovolto in una morsa.** Questa operazione è estremamente pericolosa, e può portare a gravi incidenti.
5. **Indossare occhiali di sicurezza e protezioni per l'udito durante l'uso.**
6. **Non utilizzare alcun tipo di dischi abrasivi.**

7. **Utilizzare esclusivamente una lama che abbia il diametro indicato sull'utensile o specificato nel manuale.** L'uso di una lama di dimensioni errate potrebbe influire sulla corretta protezione della lama o sul funzionamento della protezione, il che potrebbe risultare in gravi lesioni personali.
8. **Utilizzare sempre una lama destinata al taglio del materiale che si intende tagliare.**
9. **Utilizzare solo lame che siano contrassegnate con una velocità pari o superiore a quella contrassegnata sull'utensile.**

CONSERVARE LE PRESENTI ISTRUZIONI.

⚠ AVVERTIMENTO:

NON lasciare che comodità o la familiarità d'utilizzo con il prodotto (acquisita con l'uso ripetuto) sostituisca la stretta osservanza delle norme di sicurezza per il prodotto in questione. L'USO IMPROPRIO o la mancata osservanza delle norme di sicurezza indicate nel presente manuale di istruzioni potrebbero causare gravi lesioni personali.

DESCRIZIONE DEL FUNZIONAMENTO

⚠ ATTENZIONE:

- Accertarsi sempre che l'utensile sia spento e staccato dalla presa di corrente prima di regolarlo o di controllare il suo funzionamento.

Regolazione della profondità di taglio (Fig. 1)

Allentare la leva sulla guida profondità, e spostare su o giù la base. Fissare la base alla profondità di taglio desiderata stringendo la leva.

⚠ ATTENZIONE:

- Stringere sempre saldamente la leva dopo la regolazione della profondità di taglio.

Puntamento (Fig. 2)

Per tagliare, allineare la posizione A sul davanti della base con la linea di taglio sul pezzo.

Funzionamento dell'interruttore

⚠ ATTENZIONE:

- Prima di collegare l'utensile alla presa di corrente, controllare sempre che l'interruttore funzioni correttamente e che torni sulla posizione "OFF" quando viene rilasciato.

Utensile con il bottone di sblocco (Fig. 3)

L'utensile è dotato di un bottone di sblocco, per impedire che l'interruttore venga schiacciato accidentalmente. Per avviare l'utensile, spingere dentro il bottone di sblocco e schiacciare l'interruttore. Rilasciare l'interruttore per fermarlo.

⚠ ATTENZIONE:

- Non si deve schiacciare con forza l'interruttore senza premere dentro il bottone di sblocco. Ciò potrebbe causare la rottura dell'interruttore.

Utensile senza bottone di sblocco (Fig. 4)

Per avviare l'utensile, schiacciare semplicemente l'interruttore. Rilasciare l'interruttore per fermarlo.

MONTAGGIO

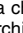
⚠ ATTENZIONE:

- Accertarsi sempre che l'utensile sia spento e staccato dalla presa di corrente prima di qualsiasi intervento su di esso.

Installazione o rimozione del disco


⚠ ATTENZIONE:

- Per installare o rimuovere il disco, usare soltanto la chiave Makita in dotazione. In caso contrario, si può causare il serraggio eccessivo o insufficiente del bullone esagonale. Ciò può portare a lesioni serie dell'operatore.
- Non toccare il disco con le mani nude immediatamente dopo il taglio, perché potrebbe essere estremamente caldo e bruciare la pelle. Indossare un paio di guanti per rimuovere un disco caldo.

Per rimuovere il disco, spingere e girare prima in senso orario sul simbolo  la manopola che fissa il coperchio antipolvere, e rimuovere il coperchio antipolvere. Premere il blocco albero in modo che il disco non possa girare, e usare la chiave esagonale per allentare in senso antiorario il bullone esagonale. Rimuovere poi la flangia esterna e il disco. (Fig. 5 e 6)

Per installare il disco, seguire il procedimento opposto di rimozione. Installare sempre il disco in modo che la freccia sul disco sia rivolta nella stessa direzione della freccia sulla scatola del disco.

STRINGERE SALDAMENTE IL BULLONE ESAGONALE. (Fig. 7)

Dopo aver installato il disco, rimettere a posto il coperchio antipolvere. Spingere con cura il coperchio antipolvere, in modo che la fessura sulla sua parte anteriore entri nella nervatura della scatola. Accertarsi che il coperchio antipolvere sia montato correttamente, e spingere poi e girare in senso antiorario la manopola sul simbolo . (Fig. 8)

Pulizia della protezione disco

Quando si intende sostituire il disco, accertarsi di pulire anche le protezioni superiore e inferiore del disco dalle schegge di metallo accumulate, come descritto nella sezione Manutenzione. Tali operazioni non sostituiscono l'esigenza di controllare il funzionamento della protezione inferiore prima di ciascun utilizzo.

Guida pezzo (righello guida) (accessorio) (Fig. 9)

La comoda guida pezzo (righello guida) permette di eseguire dei tagli dritti con grande precisione. Spingere semplicemente la guida pezzo contro il fianco del pezzo e fissarla in posizione con la vite di fermo sulla parte anteriore della base. Essa rende anche possibile di ripetere i tagli con la stessa larghezza.

FUNZIONAMENTO

⚠ ATTENZIONE:

- Mai forzare l'utensile nel taglio o spostarlo con movimenti laterali per farlo entrare. Ciò può causare il sovraccarico del motore e/o un contraccolpo pericoloso, con rischio di lesioni serie per l'operatore.

Tenere saldamente l'utensile con entrambe le mani. Mettere la piastra base sul pezzo da tagliare senza che il disco faccia contatto. Accendere poi l'utensile ed aspettare finché il disco ha raggiunto la velocità massima. Spostare l'utensile in avanti sopra la superficie del pezzo, mantenendolo piatto e facendolo avanzare scorrevolmente fino al completamento del taglio. Mantenere dritta la linea di taglio, e uniforme la velocità di avanzamento. (Fig. 10)

La finestrella di visione nella base facilita il controllo della distanza tra il bordo anteriore del disco e il pezzo ogni volta che il disco è regolato alla profondità massima di taglio. (Fig. 11)

NOTA:

- Quando si eseguono i tagli a quartabuono, ecc., la protezione inferiore potrebbe a volte non spostarsi facilmente. In tal caso, usare la leva retrattile per sollevare la protezione inferiore per iniziare il taglio e, non appena il disco entra nel materiale, rilasciare la leva retrattile. (Fig. 12)

⚠ ATTENZIONE:

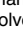
- Non usare un disco deformato o incrinato. Sostituirlo con un altro nuovo.
- Non accatastare i materiali per tagliarli.
- Non tagliare acciaio duro, acciaio inossidabile, alluminio, legno, plastica, cemento, mattonelle, ecc. **Tagliare soltanto acciaio dolce.**
- Non toccare il disco, il pezzo o i trucioli con le mani nude immediatamente dopo il taglio, perché potrebbero essere estremamente caldi e bruciare la pelle.
- **Usare sempre dischi diamantati appropriati al lavoro.** L'impiego di dischi inadatti potrebbe causare prestazioni scarse di taglio e/o rischi di lesioni personali.

Eliminazione dei trucioli

⚠ ATTENZIONE:

- Accertarsi sempre che l'utensile sia spento e staccato dalla presa di corrente prima di rimuovere o di installare il coperchio antipolvere.
- Il coperchio antipolvere potrebbe diventare molto caldo a causa dei trucioli caldi. Non toccare i trucioli o il coperchio antipolvere con le mani nude.

Eliminare i trucioli quando diventano visibili attraverso la finestrella di visione. (Fig. 13)

Spingere e girare in senso orario la manopola sul simbolo , e rimuovere il coperchio antipolvere. Eliminare i trucioli accumulati all'interno del coperchio antipolvere. (Fig. 14)

⚠ ATTENZIONE:

- Non capovolgere l'utensile. I trucioli accumulati all'interno del coperchio antipolvere potrebbero cadere fuori dal coperchio.
- Maneggiare con cura il coperchio antipolvere, in modo che non si deformi o danneggi.

MANUTENZIONE

⚠ ATTENZIONE:

- Accertarsi sempre che l'utensile sia spento e staccato dalla presa di corrente prima di eseguire l'ispezione o la manutenzione.
- **Pulire le protezioni superiore e inferiore per assicurare che non siano presenti schegge di metallo accumulate, che potrebbero impedire il funzionamento del sistema di protezione inferiore.** Un sistema di protezione sporco potrebbe limitare il funzionamento corretto, il che potrebbe risultare in gravi lesioni personali. **Quando si intende utilizzare aria compressa per soffiare via schegge di metallo dalle protezioni, indossare protezioni appropriate per occhi e respirazione.**
- Mai usare benzina, benzene, solventi, alcol e altre sostanze simili. Potrebbero causare scolorimenti, deformazioni o crepe.

Ispezione del disco

- Controllare con cura che il disco non sia incrinato o danneggiato prima e dopo ciascun utilizzo. Sostituire immediatamente i dischi incrinati o danneggiati.
- Se si continua a usare un disco smussato, si potrebbero verificare pericolosi contraccolpi e/o il sovraccarico del motore. Sostituirlo con uno nuovo non appena non taglia più efficientemente.
- **I dischi diamantati per troncatrici per metallo non possono essere riaffilati.**

Sostituzione delle spazzole di carbone

(Fig. 15 e 16)

Rimuovere e controllare regolarmente le spazzole di carbone. Sostituirle quando sono usurate fino al segno del limite. Mantenere le spazzole di carbone pulite e libere di slittare nei portaspazzole. Entrambe le spazzole di carbone devono essere sostituite allo stesso tempo. Usare soltanto spazzole di carbone identiche.

Usare un cacciavite per rimuovere i tappi dei portaspazzole. Estrarre le spazzole di carbone usurate, inserire le nuove spazzole e fissare i tappi dei portaspazzole.

Per preservare la sicurezza e l'affidabilità del prodotto, le riparazioni, la manutenzione o la regolazione devono essere eseguite da un Centro Assistenza Makita autorizzato usando sempre ricambi Makita.

ACCESSORI OPZIONALI

⚠ ATTENZIONE:

- In questo manuale si consiglia di usare questi accessori o ricambi Makita. L'impiego di altri accessori o ricambi potrebbe costituire un pericolo di lesioni. Usare esclusivamente gli accessori o ricambi per il loro scopo specificato.

Per maggiori dettagli riguardo a questi accessori, rivolgersi a un centro di assistenza Makita.

- Guida pezzo (righello guida)
- Gamme dischi diamantati e pezzi consigliate

NOTA:

- Alcuni articoli nella lista potrebbero essere inclusi nell'imballo dell'utensile come accessori standard. Essi potrebbero differire da Paese a Paese.

Dimensioni (mm)	Applicazioni													
	FOGLIO METALLICO		PRIGIONIERO C		PRIGIONIERO ANGOLARE		PRIGIONIERO METALLICO		TONDINO SPIRALATO	TUBO			FOGLIO DI LAMIERA ONDULATA	
	t=1,5	t=3,0	50x100 t=1,6	45x90 t=3,2	50x50 t=4	50x50 t=6	t=0,56 25Ga	t=1,6 16Ga	∅20	50x100 t=3,2	∅25 t=1,2	∅60 t=3,8	t=0-0,9	t=1,0-2,0
185x36T	✗	○	✗	○	○	○	○	○	○	○	△	○	✗	✗
185x38T	△	○	△	○	○	○	○	△	○	○	○	○	✗	✗
185x48T	○	○	○	○	△	○	○	○	△	○	○	△	✗	△
185x70T	○	△	✗	✗	✗	✗	△	✗	✗	✗	✗	✗	○	△

005705



Eccellente



Buono



Passabile



Non utilizzabile

⚠ ATTENZIONE:

- Usare sempre dischi diamantati appropriati al lavoro. Non tagliare alluminio, legno, plastica, cemento, mattonelle, ecc.
- I dischi diamantati per troncatrici per metallo non devono essere riaffilati.

ENG905-1

Rumore

Il tipico livello di rumore pesato A determinato secondo EN62841-2-5:

Livello pressione sonora (L_{pA}): 105 dB (A)

Livello potenza sonora (L_{WA}): 113 dB (A)

Incertezza (K): 3 dB (A)

ENG907-1

NOTA:

- Il valore o i valori dichiarati delle emissioni di rumori sono stati misurati in conformità a un metodo standard di verifica, e possono essere utilizzati per confrontare un utensile con un altro.
- Il valore o i valori dichiarati delle emissioni di rumori possono venire utilizzati anche per una valutazione preliminare dell'esposizione.

⚠ AVVERTIMENTO:

- **Indossare protezioni per le orecchie.**
- **L'emissione di rumori durante l'utilizzo effettivo dell'utensile elettrico può variare rispetto al valore o ai valori dichiarati, a seconda dei modi in cui viene utilizzato l'utensile e specialmente a seconda di che tipo di pezzo venga lavorato.**
- **Accertarsi di identificare misure di sicurezza per la protezione dell'operatore che siano basate su una stima dell'esposizione nelle condizioni effettive di utilizzo (tenendo conto di tutte le parti del ciclo operativo, ad esempio del numero di spegnimenti dell'utensile e di quando giri a vuoto, oltre al tempo di attivazione).**

ENG900-1

Vibrazione

Il valore totale di vibrazione (somma vettore triassiale) determinato secondo EN62841-2-5:

Modalità operativa: taglio dei metalli

Emissione di vibrazione ($a_{h, M}$): 2,5 m/s² o meno

Incertezza (K): 1,5 m/s²

NOTA:

- Il valore o i valori complessivi delle vibrazioni dichiarati sono stati misurati in conformità a un metodo standard di verifica, e possono essere utilizzati per confrontare un utensile con un altro.
- Il valore o i valori complessivi delle vibrazioni dichiarati possono venire utilizzati anche per una valutazione preliminare dell'esposizione.

⚠ AVVERTIMENTO:

- **L'emissione delle vibrazioni durante l'utilizzo effettivo dell'utensile elettrico può variare rispetto al valore o ai valori dichiarati, a seconda dei modi in cui viene utilizzato l'utensile, specialmente a seconda di che tipo di pezzo venga lavorato.**
- **Accertarsi di identificare misure di sicurezza per la protezione dell'operatore che siano basate su una stima dell'esposizione nelle condizioni effettive di utilizzo (tenendo conto di tutte le parti del ciclo operativo, ad esempio del numero di spegnimenti dell'utensile e di quando giri a vuoto, oltre al tempo di attivazione).**

DICHIARAZIONI DI CONFORMITÀ

Solo per i paesi europei

Le Dichiarazioni di conformità sono incluse nell'Allegato A al presente manuale d'uso.

Verklaring van algemene gegevens

1 Hendel	9 Asblosskering	16 Trekgeleider (breedtegeleider)
2 Dieptegeleider	10 Zeskantbout	17 Schroef
3 Zaaglijn	11 Buitenflens	18 Werkstuk
4 Trekschakelaar	12 Zaagblad met hardmetalen tanden	19 Kijkglas
5 Ontgrendelknop	13 Binnenflens	20 Terugtrekhandel
6 Stofkap	14 Sleuf	21 Limietaanduiding
7 Knop	15 Ribbe	22 Schroevendraaier
8 Dopsleutel		23 Borstelhouderdop

TECHNISCHE GEGEVENS

GEB155-1

Model	4131
Diameter zaagblad	185 mm
Max. zaagcapaciteit	63 mm
Toerental onbelast (min ⁻¹)	3 500
Totale lengte	358 mm
Netto gewicht	4,8 kg
Veiligheidsklasse	II/III

- In verband met ononderbroken research en ontwikkeling behouden wij ons het recht voor bovenstaande technische gegevens te wijzigen zonder voorafgaande kennisgeving.
- De technische gegevens kunnen van land tot land verschillen.
- Gewicht volgens de EPTA-procedure 01/2014

ENE022-1

Doeleinden van gebruik

Dit gereedschap is bestemd voor het zagen van zacht staal.

ENF002-2

Stroomvoorziening

Het gereedschap mag alleen worden aangesloten op een stroombron van hetzelfde voltage als aangegeven op de naamplaat, en kan alleen op enkel-fase wisselstroom worden gebruikt. Het gereedschap is dubbel-geïsoleerd volgens de Europese standaard en kan derhalve ook op een niet-geaard stopcontact worden aangesloten.

GEA010-2

Algemene veiligheidswaarschuwingen voor elektrisch gereedschap

⚠ WAARSCHUWING: Lees alle veiligheidsaarschuwingen, instructies, afbeeldingen en technische gegevens die bij dit elektrisch gereedschap worden geleverd. Als niet alle onderstaande instructies worden opgevolgd, kan dat leiden tot een elektrische schok, brand en/of ernstig letsel.

Bewaar alle waarschuwingen en instructies om in de toekomst te kunnen raadplegen.

De term "elektrisch gereedschap" in de veiligheidsvoorschriften duidt op gereedschappen die op stroom van het lichtnet werken (met snoer) of gereedschappen met een accu (snoerloos).

VEILIGHEIDSWAARSCHUWINGEN VOOR EEN METAALCIRKELZAAG

Werkwijze bij het zagen

1. **⚠ GEVAAR: Houd uw handen uit de buurt van het zaaggebied en het zaagblad. Houd met uw andere hand de voorhandgreep of de behuizing van het gereedschap vast.** Als u de zaag met beide handen vasthoudt, kunt u nooit in uw handen zagen.
2. **Reik nooit met uw handen onder het werkstuk.** De beschermkap kan u niet beschermen tegen het zaagblad onder het werkstuk.
3. **Stel de zaagdiepte in overeenkomstig de dikte van het werkstuk.** Minder dan een volledige tandhoogte dient onder het werkstuk uit te komen.
4. **Houd tijdens het zagen het werkstuk nooit vast met uw handen of benen. Zorg dat het werkstuk stabiel is ten opzichte van de ondergrond.** Het is belangrijk het werkstuk goed te ondersteunen om de kans te minimaliseren dat uw lichaam eraan blootgesteld wordt, het zaagblad vastloopt of u de controle over het gereedschap verliest.
5. **Houd elektrisch gereedschap vast aan het geïsoleerde oppervlak van de handgrepen wanneer u werkt op plaatsen waar het snijgarnituur met verborgen bedrading of zijn eigen snoer in aanraking kan komen.** Door contact met onder spanning staande draden, zullen ook de niet-geïsoleerde metalen delen van het elektrisch gereedschap onder spanning komen te staan zodat de gebruiker een elektrische schok kan krijgen.
6. **Gebruik bij het schulpen altijd de breedtegeleider of de langseleider.** Hierdoor wordt de nauwkeurigheid van het zagen vergroot en de kans op vastlopen van het zaagblad verkleind.
7. **Gebruik altijd zaagbladen met een middengat van de juiste afmetingen en vorm (diamant versus rond).** Zaagbladen die niet goed passen op de bevestigingsmiddelen van de zaag, zullen uit-het-midden draaien waardoor u de controle over het gereedschap verliest.
8. **Gebruik nooit een beschadigde of verkeerde bouten en ringen om het zaagblad te bevestigen.** De bouten en ringen voor de bevestiging van het zaagblad zijn speciaal ontworpen voor gebruik met uw zaag voor optimale prestaties en veilig gebruik.

Oorzaken van terugslag en aanverwante waarschuwingen

- Terugslag is een plotselinge reactie op een bekneld, vastgelopen of niet-uitgelijnd zaagblad, waardoor de oncontroleerbare zaag omhoog, uit het werkstuk en in de richting van de gebruiker gaat.

- Wanneer het zaagblad bekneld raakt of vastloopt doordat de zaagsnede naar beneden toe smaller wordt, komt het zaagblad tot stilstand en komt als reactie de motor snel omhoog in de richting van de gebruiker.
- Als het zaagblad gebogen of niet-uitgelijnd raakt in de zaagsnede, kunnen de tanden aan de achterrand van het zaagblad zich in het bovenoppervlak van het werkstuk vreten, waardoor het zaagblad uit de zaagsnede klimt en omhoog springt in de richting van de gebruiker.

Terugslag is het gevolg van misgebruik van de zaag en/of onjuiste gebruiksprocedures of -omstandigheden, en kan worden voorkomen door goede voorzorgsmaatregelen te treffen, zoals hieronder vermeld.

1. **Houd de zaag stevig vast met beide handen en houd uw armen zodanig dat een terugslag wordt opgevangen. Plaats uw lichaam zijwaarts versprongen van het zaagblad en niet in een rechte lijn erachter.** Door terugslag kan de zaag achterwaarts springen, maar de kracht van de terugslag kan met de juiste voorzorgsmaatregelen door de gebruiker worden opgevangen.
2. **Wanneer het zaagblad vastloopt, of wanneer u om een of andere reden het zagen onderbreekt, laat u de aan-uitschakelaar los en houdt u de zaag stil in het materiaal totdat het zaagblad volledig tot stilstand is gekomen. Probeer nooit de zaag uit het werkstuk te halen of de zaag naar achteren te trekken, terwijl het zaagblad nog draait omdat hierdoor een terugslag kan optreden.** Onderzoek waarom het zaagblad is vastgelopen en tref afdoende maatregelen om de oorzaak ervan op te heffen.
3. **Wanneer u de zaag weer inschakelt terwijl het zaagblad in het werkstuk zit, plaatst u het zaagblad in het midden van de zaagsnede zodat de tanden niet in het materiaal grijpen.** Als het zaagblad is vastgelopen, kan wanneer de zaag wordt ingeschakeld het zaagblad uit het werkstuk lopen of terugslaan.
4. **Ondersteun grote platen om de kans te minimaliseren dat het zaagblad bekneld raakt of terugslaat.** Grote platen neigen door te zakken onder hun eigen gewicht. U moet de plaat ondersteunen aan beide zijden, vlakbij de zaaglijn en vlakbij de rand van de plaat.
5. **Gebruik een bot of beschadigd zaagblad niet meer.** Niet-geslepen of verkeerd gezette tanden maken een smalle zaagsnede wat leidt tot grote wrijving, vastlopen en terugslag.
6. **De vergrendelhendels voor het instellen van de zaagbladdiepte en verstekhoek moeten vastgezet zijn alvorens te beginnen met zagen.** Als de afstellingen van het zaagblad tijdens het zagen verlopen, kan dit leiden tot vastlopen of terugslag.
7. **Wees extra voorzichtig wanneer u een invalzaagsnede maakt in een bestaande wand of een andere plaats waarvan u de onderkant niet kunt zien.** Het zaagblad zou een hard voorwerp kunnen raken, met als gevolg een gevaarlijke terugslag.
8. **Houd het gereedschap ALTIJD met beide handen stevig vast. Plaats NOOIT een hand, been of een ander lichaamsdeel onder zoolplaat of achter de zaag, speciaal bij het afkorten.** Als een terugslag optreedt, kan de zaag gemakkelijk achteruit en over uw hand springen waardoor ernstig persoonlijk letsel ontstaat.

9. **Dwing de zaag nooit. Duw de zaag vooruit met een snelheid waarbij het zaagblad niet vertraagt.** Als u de zaag dwingt, kan dat leiden tot een ongelijkmatige zaagsnede, verminderde nauwkeurigheid en mogelijke terugslag.

Functie van de beschermkap

1. **Controleer voor ieder gebruik of de onderste beschermkap goed sluit. Gebruik de zaag niet als de onderste beschermkap niet vrij kan bewegen en onmiddellijk sluit. Zet de onderste beschermkap nooit vast in de geopende stand.** Als u de zaag per ongeluk laat vallen, kan de onderste beschermkap worden verbogen. Til de onderste beschermkap op aan de terugtrekhandel en controleer dat deze vrij kan bewegen en niet het zaagblad of enig ander onderdeel raakt, onder alle verstekhoeken en op alle zaagdiepten.
2. **Controleer de werking van de veer van de onderste beschermkap. Als de beschermkap en de veer niet goed werken, dienen deze vóór gebruik te worden gerepareerd.** De onderste beschermkap kan traag werken als gevolg van beschadigde onderdelen, gom- of harsafzetting, of opeenhoping van vuil.
3. **De onderste beschermkap mag alleen met de hand worden geopend voor het maken van speciale zaagsneden, zoals een invalzaagsnede en gecombineerde zaagsnede. Til de onderste beschermkap op aan de terugtrekhandel en laat deze los zodra het zaagblad in het materiaal zaagt.** Bij alle andere typen zaagsneden, dient de onderste beschermkap automatisch te werken.
4. **Let er altijd op dat de onderste beschermkap het zaagblad bedekt voordat u de zaag op een werkbank of vloer neerlegt.** Een onbeschermd zaagblad dat nog nadraait, zal de zaag achteruit doen lopen waarbij alles op zijn weg wordt gezaagd. Denk aan de tijd die het duurt nadat de schakelaar is losgelaten voordat het zaagblad stilstaat.
5. **U kunt de onderste beschermkap controleren, door deze met de hand te openen, los te laten en te kijken of hij goed sluit. Controleer tevens of de terugtrekhandel de behuizing van het gereedschap niet raakt.** Het zaagblad onbeschermd laten is UITERST GEVAARLIJK en kan leiden tot ernstig persoonlijk letsel.

Aanvullende veiligheidsvoorschriften

1. **Breng het zaagblad niet tot stilstand door zijdelings op het zaagblad te drukken.**
2. **GEVAAR:** Probeer niet afgezaagd materiaal te verwijderen terwijl het zaagblad nog draait. **LET OP: Het zaagblad draait nog na nadat het gereedschap is uitgeschakeld.**
3. **Plaats het bredere deel van de zool van de zaag op het deel van het werkstuk dat goed is ondersteund, en niet op het deel dat omlaag valt nadat de zaagsnede gemaakt is. Als het werkstuk kort of smal is, klemt u het vast. PROBEER NOOIT EEN KORT WERKSTUK IN UW HANDEN VAST TE HOUDEN!**
4. **Probeer nooit een zaagsnede te maken met het gereedschap ondersteboven in een bankschroef geklemd. Dit is uiterst gevaarlijk en kan leiden tot ernstige ongevallen.**

5. **Draag een veiligheidsbril en gehoorbescherming tijdens gebruik.**
6. **Gebruik geen slijpschijven.**
7. **Gebruik uitsluitend een zaagblad met een diameter die is aangegeven op het gereedschap of vermeld in de gebruiksaanwijzing.** Het gebruik van een zaagblad met een verkeerde afmeting kan de goede bescherming van het zaagblad of de werking van de beschermkap negatief beïnvloeden, waardoor ernstig persoonlijk letsel kan ontstaan.
8. **Gebruik altijd het zaagblad dat is bedoeld voor zagen in het materiaal waarin u gaat zagen.**
9. **Gebruik altijd een zaagblad dat is gemarkeerd met een toerental dat gelijk is aan of hoger is dan het toerental dat is aangegeven op het gereedschap.**

BEWAAR DEZE INSTRUCTIES.

⚠ WAARSCHUWING:

Laat u **NIET** misleiden door een vals gevoel van comfort en bekendheid met het gereedschap (na veelvuldig gebruik) en neem alle veiligheidsvoorschriften van het betreffende gereedschap altijd strikt in acht. **VERKEERD GEBRUIK** of het niet naleven van de veiligheidsvoorschriften in deze gebruiksaanwijzing kan leiden tot ernstig persoonlijk letsel.

BESCHRIJVING VAN DE FUNCTIES

⚠ LET OP:

- Zorg altijd dat het gereedschap is uitgeschakeld en niet op een stopcontact is aangesloten voordat u functies op het gereedschap instelt of controleert.

Instellen van de zaagdiepte (Fig. 1)

Draai de hendel op de dieptegeleider los en beweeg de voetplaat naar boven of naar beneden. Zet de voetplaat bij de gewenste diepte weer vast door de hendel vast te draaien.

⚠ LET OP:

- Draai de hendel altijd stevig vast nadat de zaagdiepte is ingesteld.

Richten (Fig. 2)

Voordat u gaat zagen, dient u de inkeping A op de voorkant van de voetplaat op één lijn te brengen met de zaaglijn op het werkstuk.

Werking van de trekschakelaar

⚠ LET OP:

- Alvorens het gereedschap op een stopcontact aan te sluiten, moet u altijd controleren of de trekschakelaar behoorlijk werkt en bij het loslaten naar de "OFF" positie terugkeert.

Voor gereedschap met ontgrendelknop (Fig. 3)

Een ontgrendelknop is voorzien om te voorkomen dat de trekschakelaar per toeval wordt ingedrukt.

Om het gereedschap te starten, drukt u eerst de ontgrendelknop in en daarna de trekschakelaar. Laat de trekschakelaar los om het gereedschap te stoppen.

⚠ LET OP:

- Trek niet hard aan de trekschakelaar zonder dat u de ontgrendelknop hebt ingedrukt. De schakelaar kan defect raken.

Voor gereedschap zonder ontgrendelknop (Fig. 4)

Trek aan de trekschakelaar om het gereedschap te starten. Laat de trekschakelaar los om het te stoppen.

INEENZETTEN

⚠ LET OP:

- Zorg altijd dat het gereedschap is uitgeschakeld en niet op een stopcontact is aangesloten alvorens enig werk aan het gereedschap uit te voeren.

Installeren of verwijderen van het zaagblad

⚠ LET OP:

- Gebruik voor het installeren of verwijderen van het zaagblad uitsluitend de meegeleverde Makita dopsleutel. Doet u dit niet, dan kan de zeskantbout te vast of te los worden aangedraaid, hetgeen kan leiden tot verwonding van de gebruiker.
- Raak het zaagblad niet met uw blote hand aan onmiddellijk na het zagen. Het blad kan zeer heet zijn en brandwonden veroorzaken. Trek een paar handschoenen aan om een nog heet zaagblad te verwijderen.

Om het zaagblad te verwijderen, druk eerst de vastzetknop van de stofkap in en draai hem naar rechts naar het ○ symbool, en verwijder de stofkap. Druk de asblokkering in zodat het zaagblad niet kan draaien, en draai met de dopsleutel de zeskantbout naar links los. Verwijder vervolgens de buitenflens en het zaagblad. **(Fig. 5 en 6)**

Om het zaagblad te installeren, voert u de verwijderingsprocedure in omgekeerde volgorde uit. Monteer het zaagblad altijd zodanig dat het pijltje op het zaagblad in dezelfde richting wijst als het pijltje op de zaagbladkast. **TREK DE ZESKANTBOUT STEVIG AAN. (Fig. 7)**

Breng de stofkap weer aan nadat het zaagblad is geïnstalleerd. Schuif de stofkap voorzichtig erin zodat de sleuf op de voorzijde ervan in de ribbe van de zaagbladkast past. Controleer of de stofkap goed gemonteerd is en druk daarna de knop in en draai hem naar links naar het ● symbool. **(Fig. 8)**

De beschermkap reinigen

Vergeet niet om tijdens het verwisselen van het zaagblad tevens de bovenste en onderste beschermkappen te ontdoen van opgehoopte metaaldeeltjes, zoals beschreven in het hoofdstuk Onderhoud. Ondanks dergelijk onderhoud blijft het noodzakelijk de werking van de onderste beschermkap voor ieder gebruik te controleren.

Trekgeleider (breedtegeleider) (Accessoire) (Fig. 9)

De handige trekgeleider (breedtegeleider) maakt het mogelijk uiterst nauwkeurige rechte zaagsneden te maken. Plaats de trekgeleider vlak tegen de zijkant van het werkstuk en zet hem vervolgens vast met de klem Schroef op de voorkant van de voetplaat. Met de trekgeleider kunt u ook herhaaldelijk stukken van gelijke breedte afzagen.

BEDIENING

⚠ LET OP:

- Forceer of wring het zaagblad nooit in de zaagsnede. Dit kan overbelasting van de motor en/of gevaarlijke terugslag veroorzaken, met ernstige verwonding van de gebruiker als mogelijk gevolg.

Houd het gereedschap stevig vast met beide handen. Zet de voetplaat op het te zagen werkstuk zonder dat het zaagblad ermee in contact komt. Schakel vervolgens het gereedschap in en wacht totdat het zaagblad op volle snelheid draait. Beweeg dan het gereedschap naar voren over het oppervlak van het werkstuk; houd hierbij het gereedschap vlak en beweeg het langzaam totdat het zagen is voltooid. Houd de zaaglijn recht en beweeg het gereedschap met gelijkmatige snelheid naar voren. (Fig. 10)

Gebruik het vizier in de voetplaat om de afstand tussen de voorrand van het zaagblad en het werkstuk te controleren telkens wanneer het zaagblad op de maximale zaagdiepte is ingesteld. (Fig. 11)

OPMERKING:

- Bij verstekzagen e.d., is het mogelijk dat de onderste beschermkap niet gemakkelijk beweegt. Gebruik in dat geval de terugtrekhandel om de onderste beschermkap omhoog te brengen en het zagen te starten. Laat de terugtrekhandel los zodra het zaagblad in het materiaal dringt. (Fig. 12)

⚠ LET OP:

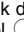
- Gebruik nooit een vervormd of gebarsten zaagblad. Vervang het door een nieuw zaagblad.
- Stapel de te zagen werkstukken niet op elkaar.
- Gebruik de zaag niet voor het zagen van gehard staal, roestvrij staal, aluminium, hout, kunststoffen, beton, tegels, e.d. **Gebruik de zaag uitsluitend voor het zagen van zacht staal.**
- Raak het zaagblad, het werkstuk of de spanen niet aan met uw blote hand onmiddellijk na het zagen. Deze kunnen zeer heet zijn en brandwonden veroorzaken.
- **Gebruik altijd zaagbladen met hardmetalen tanden die geschikt zijn voor uw werk.** Het gebruik van ongeschikte zaagbladen kan leiden tot slechte zaagprestaties en/of gevaar voor persoonlijke verwonding.

Verwijderen van zaagspanen

⚠ LET OP:

- Zorg altijd dat het gereedschap is uitgeschakeld en zijn stroomkabel uit het stopcontact is verwijderd alvorens de stofkap te verwijderen of te installeren.
- De stofkap kan heet worden ten gevolge van hete zaagspanen. Raak de zaagspanen of de stofkap niet met blote handen aan.

Verwijder de zaagspanen wanneer deze door het kijkglas te zien zijn. (Fig. 13)

Druk de knop in en draai hem naar rechts naar het symbool , en verwijder de stofkap. Verwijder de zaagspanen uit de stofkap. (Fig. 14)

⚠ LET OP:

- Keer het gereedschap niet ondersteboven. Als u dit doet, kunnen de opeengehoopte zaagspanen uit de stofkap vallen.
- Behandel de stofkap voorzichtig om vervorming of beschadiging ervan te voorkomen.

ONDERHOUD

⚠ LET OP:

- Zorg altijd dat het gereedschap is uitgeschakeld en niet op een stopcontact is aangesloten voordat u begint met inspectie of onderhoud.

- **Reinig de bovenste en onderste beschermkappen om er zeker van te zijn dat er geen opgehoopte metaaldeeltjes in zitten die de werking van het onderste beschermkapmechanisme kunnen hinderen.** Een vuil beschermkapmechanisme kan de goede werking hinderen, waardoor ernstig persoonlijk letsel kan ontstaan. **Als perslucht wordt gebruikt om metaaldeeltjes uit de beschermkappen te blazen, moet geschikte oog- en ademhalingsbescherming worden gebruikt.**

- Gebruik nooit benzine, wasbenzine, thinner, alcohol en dergelijke. Hierdoor het verkleuring, vervormingen en barsten worden veroorzaakt.

Inspecteren van het zaagblad

- Inspecteer het zaagblad zorgvuldig op barsten of beschadiging vóór en na elk gebruik. Vervang een gebarsten of beschadigd zaagblad onmiddellijk.
- Voortgezet gebruik met een bot zaagblad kan gevaarlijke terugslag en/of overbelasting van de motor veroorzaken. Vervang door een nieuw zaagblad zodra u vaststelt dat het zaagblad niet meer goed snijdt.
- **Zaagbladen met hardmetalen tanden voor metaalzagen kunnen niet opnieuw gescherpt worden.**

Vervangen van de koolborstels (Fig. 15 en 16)

Verwijder en controleer regelmatig de koolborstels. Vervang de koolborstels wanneer ze tot aan de limietmarkering versleten zijn. Houd de koolborstels schoon zodat ze goed in de houders glijden. Beide koolborstels dienen tegelijkertijd te worden vervangen. Gebruik uitsluitend identieke koolborstels.

Gebruik een schroevendraaier om de doppen van de koolborstelhouders te verwijderen. Haal de versleten borstels eruit, steek de nieuwe erin, en zet de doppen weer goed vast.

Om de VEILIGHEID en BETROUWBAARHEID van het product te handhaven, dienen alle reparaties en alle andere onderhoudswerkzaamheden of afstellingen te worden uitgevoerd door een erkend Makita Servicecentrum, en dat uitsluitend met gebruik van Makita vervangingsonderdelen.

OPTIONELE ACCESSOIRES

⚠ LET OP:

- Deze accessoires of hulpstukken worden aanbevolen voor gebruik met het Makita gereedschap dat in deze gebruiksaanwijzing is beschreven. Bij gebruik van andere accessoires of hulpstukken bestaat er gevaar voor persoonlijke verwonding. Gebruik de accessoires of hulpstukken uitsluitend voor hun bestemd doel.

Wenst u meer bijzonderheden over deze accessoires, neem dan contact op met het plaatselijke Makita servicecentrum.

- Trekgeleider (breedtegeleider)
- Aanbevolen zaagbladen met hardmetalen tanden & afmetingen van het werkstuk

OPMERKING:

- Sommige onderdelen in deze lijst kunnen bij het gereedschap zijn meegeleverd als standaard-accessoires. Deze kunnen van land tot land verschillen.

	Toepassingen													
	BLADMETAAL		C-TAPEIND		HOEKTAPEIND		METALEN TAPEIND		STALEN STAAF	PIJP			GEGOLFDE STAALPLAAT	
Afmeting (mm)	t=1,5	t=3,0	50x100 t=1,6	45x90 t=3,2	50x50 t=4	50x50 t=6	t=0,56 25Ga	t=1,6 16Ga	Ø20	50x100 t=3,2	Ø25 t=1,2	Ø60 t=3,8	t=0-0,9	t=1,0- 2,0
185x36T	✗	○	✗	○	○	○	○	✗	○	○	△	○	✗	✗
185x38T	△	○	△	○	○	○	○	△	○	○	○	○	✗	✗
185x48T	○	○	○	○	△	○	○	○	△	○	○	△	✗	△
185x70T	○	△	✗	✗	✗	✗	△	✗	✗	✗	✗	✗	○	△

005705

○ Uitstekend ○ Goed △ Bevredigend ✗ Niet toepasselijk

⚠ LET OP:

- Gebruik altijd zaagbladen met hardmetalen tanden die geschikt zijn voor uw werk. Gebruik de zaag niet voor het zagen van aluminium, hout, kunststoffen, beton, tegels, e.d.
- Zaagbladen met hardmetalen tanden voor metaalzaag kunnen niet opnieuw gescherpt worden.

ENIG905-1

Geluidsniveau

De typisch, A-gewogen geluidsniveaus vastgesteld volgens EN62841-2-5:

Geluidsdrukniveau (L_{pA}): 105 dB (A)

Geluidsvermogeniveau (L_{WA}): 113 dB (A)

Onnauwkeurigheid (K): 3 dB (A)

ENIG907-1

OPMERKING:

- De opgegeven geluidsemisiewaarde(n) is/zijn gemeten volgens een standaardtestmethode en kan/kunnen worden gebruikt om dit gereedschap te vergelijken met andere gereedschappen.
- De opgegeven geluidsemisiewaarde(n) kan/kunnen ook worden gebruikt voor een beoordeling vooraf van de blootstelling.

⚠ WAARSCHUWING:

- **Draag gehoorbescherming.**
- **De geluidsemisie tijdens het gebruik van het elektrisch gereedschap in de praktijk kan verschillen van de opgegeven waarde(n) afhankelijk van de manier waarop het gereedschap wordt gebruikt, met name van het soort werkstuk waarmee wordt gewerkt.**
- **Zorg ervoor dat veiligheidsmaatregelen worden getroffen ter bescherming van de gebruiker die zijn gebaseerd op een schatting van de blootstelling onder praktijkomstandigheden (rekening houdend met alle fasen van de bedrijfscyclus, zoals de tijdsduur gedurende welke het gereedschap is uitgeschakeld en stationair draait, naast de ingeschakelde tijdsduur).**

Trilling

De totaalwaarde van de trillingen (triaxiale vectorsom) vastgesteld volgens EN62841-2-5:

Toepassing: zagen in metaal

Trillingsemisie ($a_{h,M}$): 2,5 m/s² of lager

Onnauwkeurigheid (K): 1,5 m/s²

ENG900-1

ENG901-2

OPMERKING:

- De totale trillingswaarde(n) is/zijn gemeten volgens een standaardtestmethode en kan/kunnen worden gebruikt om dit gereedschap te vergelijken met andere gereedschappen.
- De opgegeven totale trillingswaarde(n) kan/kunnen ook worden gebruikt voor een beoordeling vooraf van de blootstelling.
- **⚠ WAARSCHUWING:**
- **De trillingsemisie tijdens het gebruik van het elektrisch gereedschap in de praktijk kan verschillen van de opgegeven waarde(n) afhankelijk van de manier waarop het gereedschap wordt gebruikt, met name van het soort werkstuk waarmee wordt gewerkt.**
- **Zorg ervoor dat veiligheidsmaatregelen worden getroffen ter bescherming van de gebruiker die zijn gebaseerd op een schatting van de blootstelling onder praktijkomstandigheden (rekening houdend met alle fasen van de bedrijfscyclus, zoals de tijdsduur gedurende welke het gereedschap is uitgeschakeld en stationair draait, naast de ingeschakelde tijdsduur).**

VERKLARINGEN VAN CONFORMITEIT

Aleen voor Europese landen

De verklaringen van conformiteit zijn bijgevoegd in Bijlage A bij deze gebruiksaanwijzing.

Explicación de los dibujos

1 Palanca	9 Bloqueo del eje	16 Guía lateral (regla guía)
2 Guía de profundidad	10 Perno de cabeza hueca hexagonal	17 Tornillo
3 Línea de corte	11 Brida exterior	18 Pieza de trabajo
4 Gatillo interruptor	12 Disco de carburo	19 Mirilla
5 Botón de desbloqueo	13 Brida interior	20 Manivela retráctil
6 Cubierta contra el polvo	14 Ranura	21 Marca de límite
7 Perilla	15 Nervadura	22 Destornillador
8 Llave hexagonal		23 Tapa de portaescobillas

ESPECIFICACIONES

GEB155-1

Modelo	4131
Diámetro del disco	185 mm
Capacidad de corte máxima	63 mm
Velocidad en vacío (min ⁻¹)	3.500
Longitud total	358 mm
Peso neto	4,8 kg
Clase de seguridad	II/III

- Debido a un programa continuo de investigación y desarrollo, las especificaciones aquí dadas están sujetas a cambios sin previo aviso.
- Las especificaciones pueden ser diferentes de país a país.
- Peso de acuerdo con el procedimiento EPTA 01/2014

ENE022-1

Uso previsto

La herramienta ha sido prevista para cortar acero suave.

ENF002-2

Alimentación

La herramienta solamente debe ser conectada a una fuente de alimentación de la misma tensión que la indicada en la placa de características, y solamente puede ser utilizada con alimentación de CA monofásica. La herramienta está doblemente aislada y, por consiguiente, también puede utilizarse con tomas de corriente sin conductor de puesta a tierra.

GEA010-2

Advertencias de seguridad para herramientas eléctricas en general

⚠ ADVERTENCIA: Lea todas las advertencias de seguridad, instrucciones, ilustraciones y especificaciones provistas con esta herramienta eléctrica. Si no sigue todas las instrucciones indicadas abajo, podrá resultar en una descarga eléctrica, un incendio y/o heridas graves.

Guarde todas las advertencias e instrucciones para futuras referencias.

El término "herramienta eléctrica" en las advertencias se refiere a su herramienta eléctrica de funcionamiento con conexión a la red eléctrica (con cable) o herramienta eléctrica de funcionamiento a batería (sin cable).

ADVERTENCIAS DE SEGURIDAD PARA EL CORTADOR DE METAL

Procedimientos de corte

1. **⚠ PELIGRO:** Mantenga las manos alejadas del área de corte y del disco. Mantenga su segunda mano en el mango auxiliar, o en el alojamiento del motor. Si ambas manos están sujetando la sierra, no podrán ser cortadas por el disco.
2. **No se ponga debajo de pieza de trabajo.** Debajo de la pieza de trabajo el protector no le puede proteger del disco.
3. **Ajuste la profundidad de corte al grosor de la pieza de trabajo.** Por debajo de la pieza de trabajo deberá verse menos de un diente entero de los dientes del disco.
4. **No sujete nunca con las manos o sobre su pierna la pieza de trabajo durante el corte. Sujete la pieza de trabajo en una plataforma estable.** Es importante apoyar la pieza de trabajo debidamente para minimizar la exposición del cuerpo, el estancamiento del disco, o la pérdida de control.
5. **Cuando realice una operación en la que el implemento de corte pueda entrar en contacto con cableado oculto o con su propio cable, sujete la herramienta eléctrica por las superficies de asiento aisladas.** El contacto con un cable con corriente también hará que la corriente circule por las partes metálicas expuestas de la herramienta eléctrica y podrá soltar una descarga eléctrica al operario.
6. **Cuando haga cortes al hilo, utilice siempre una guía lateral o guía de borde recto.** Esto mejora la precisión del corte y reduce la posibilidad de que el disco se estanque.
7. **Utilice siempre discos con agujero para eje del tamaño y forma correctos (diamante en oposición a redondo).** Los discos que no correspondan con el mecanismo de montaje de la sierra se descentrarán, ocasionando la pérdida de control.
8. **No utilice nunca arandelas o perno de disco dañados o incorrectos.** Las arandelas y el perno de disco han sido diseñados especialmente para su sierra, y con ellos se logran un rendimiento y seguridad de operación óptimos.

Causas de los retrocesos bruscos y advertencias relacionadas

- el retroceso brusco es una reacción repentina al estancamiento, atasco o desalineación del disco, que ocasiona que la sierra descontrolada se levante y salga de la pieza de trabajo hacia el operario;

- cuando el disco queda aprisionado o atascado firmemente debido al cierre de la hendidura, el disco se inmoviliza y la reacción del motor empuja la sierra bruscamente hacia atrás contra el operario;
- si el disco se retuerce o desalinea en el corte, los dientes del borde posterior del disco pueden hincarse en la superficie superior de la pieza de trabajo ocasionando que el disco se salga de la hendidura y salte hacia atrás hacia el operario.

Los retrocesos bruscos se deben a un mal uso de la sierra y/o a procedimientos o condiciones de trabajo incorrectos y pueden evitarse tomando las precauciones indicadas abajo.

1. **Sujete la sierra firmemente con ambas manos y posicione los brazos de forma que pueda resistir las fuerzas de un retroceso brusco. Posicione su cuerpo a uno de los costados del disco, pero no en línea con el disco.** Los retrocesos bruscos pueden hacer que la sierra salte hacia atrás, pero las fuerzas de los retrocesos bruscos las puede controlar el operario, si toma las precauciones apropiadas.
2. **Cuando note que el disco se estanca, o cuando quiera interrumpir un corte por cualquier razón, suelte el gatillo y mantenga la sierra inmóvil en el material hasta que el disco se pare completamente. No intente nunca extraer el disco de la pieza de trabajo o tirar de la sierra hacia atrás mientras el disco está moviéndose porque podrá ocasionar un retroceso brusco.** Investigue y tome medidas correctivas para eliminar la causa del estancamiento del disco.
3. **Cuando vuelva a poner en marcha la sierra en la pieza de trabajo, centre el disco en la hendidura de forma que los dientes del mismo no estén enganchados en el material.** Si un disco se estanca, podrá saltar o retroceder bruscamente desde la pieza de trabajo al volver a poner en marcha la sierra.
4. **Apoye los paneles grandes para minimizar el riesgo de que el disco se estanque y retroceda bruscamente.** Los paneles grandes tienden a combarse con su propio peso. Deberá poner apoyos debajo del panel a ambos lados, cerca de la línea de corte y cerca del borde del panel.
5. **No utilice discos mellados o dañados.** Los discos desafilados o mal ajustados producen una hendidura estrecha que ocasiona excesiva fricción, estancamiento del disco y retrocesos bruscos.
6. **Las palancas de bloqueo de los ajustes de profundidad y de bisel del disco deben estar apretadas y sujetadas antes de realizar el corte.** Si el ajuste del disco cambia durante el corte, podrá ocasionar un estancamiento y retroceso brusco.
7. **Extreme las precauciones cuando sierre en paredes existentes u otras áreas ciegas.** La parte sobresaliente del disco podrá cortar objetos que pueden ocasionar un retroceso brusco.
8. **Sujete SIEMPRE la herramienta firmemente con ambas manos. No ponga NUNCA sus manos, piernas o cualquier otra parte de su cuerpo debajo de la base de la herramienta o detrás de la sierra, especialmente cuando haga cortes transversales.** Si se produce un retroceso brusco, la sierra podrá saltar fácilmente hacia atrás sobre su mano, causándole graves heridas personales.

9. **No fuerce nunca la sierra. Empuje la sierra hacia delante a una velocidad a la que el disco corte sin frenarse.** Si fuerza la sierra podrá ocasionar cortes irregulares, pérdida de precisión, y posibles retrocesos bruscos.

Función del protector

1. **Compruebe el protector inferior para confirmar que se cierra debidamente antes de cada uso. No utilice la sierra si el protector inferior no se mueve libremente y se cierra instantáneamente. No sujete ni ate nunca el protector inferior en la posición abierta.** Si deja caer accidentalmente la sierra, el protector inferior podrá doblarse. Levante el protector inferior con la manivela retráctil y asegúrese de que se mueve libremente y que no toca el disco o cualquier otra parte, en todos los ángulos y profundidades de corte.
2. **Compruebe la operación del resorte del protector inferior. Si el protector y el resorte no funcionan debidamente, deberán ser servidos antes de la utilización.** El protector inferior podrá funcionar lentamente debido a partes dañadas, sedimentos pegajosos, o una acumulación de residuos.
3. **El protector inferior puede retraerse manualmente sólo para cortes especiales, como "cortes por hundimiento" y "cortes compuestos". Levante el protector inferior con la manivela retráctil y tan pronto como el disco entre en el material, deberá liberar el protector inferior.** Para todos los demás cortes, el protector inferior deberá funcionar automáticamente.
4. **Antes de dejar la sierra en el banco o en el suelo, observe siempre que el protector inferior está cubriendo el disco.** Un disco desprotegido, girando por inercia, hará que la sierra se desplace hacia atrás, cortando todo lo que encuentre a su paso. Tenga presente el tiempo que el disco tarda en pararse después de soltar el interruptor.
5. **Para comprobar el protector inferior, abra el protector inferior con la mano, después suéltelo y observe que se cierra. Compruebe también para asegurarse de que la manivela retráctil no toca la carcasa de la herramienta.** Dejar el disco expuesto es MUY PELIGROSO y puede acarrear heridas personales graves.

Advertencias de seguridad adicionales

1. **No pare los discos haciendo presión lateral en el disco.**
2. **PELIGRO:** No intente retirar material cortado cuando la hoja esté moviéndose.
PRECAUCIÓN: Las hojas siguen girando por inercia después de apagar.
3. **Ponga la porción más ancha de la base de la sierra en la parte de la pieza de trabajo que esté sólidamente apoyada, no en la sección que caerá cuando se haga el corte.** Si la pieza de trabajo es corta o pequeña, amórdacela. ¡NO INTENTE SUJETAR PIEZAS PEQUEÑAS CON LA MANO!
4. **No intente nunca hacer un corte con la herramienta sujeta al revés en un tornillo de banco. Esto es extremadamente peligroso y puede acarrear accidentes peligrosos.**
5. **Póngase gafas de seguridad y protección para los oídos durante la operación.**

6. No utilice ningún disco abrasivo.
7. Utilice solamente el disco con el diámetro que hay marcado en la herramienta o especificado en el manual. La utilización de un disco dimensionado incorrectamente puede afectar a la protección del disco o a la operación del protector lo que puede resultar en heridas personales graves.
8. Utilice siempre el disco que ha sido previsto para cortar el material que usted va a cortar.
9. Utilice solamente discos que tengan marcada una velocidad igual o mayor que la velocidad marcada en la herramienta.

GUARDE ESTAS INSTRUCCIONES.

⚠ ADVERTENCIA:

NO deje que la comodidad o familiaridad con el producto (a base de utilizarlo repetidamente) sustituya la estricta observancia de las normas de seguridad para el producto en cuestión. El MAL USO o el no seguir las normas de seguridad establecidas en este manual de instrucciones podrá ocasionar graves heridas personales.

DESCRIPCIÓN FUNCIONAL

⚠ PRECAUCIÓN:

- Cerciórese siempre de que la herramienta está apagada y desenchufada antes de ajustar la herramienta o comprobar alguna de sus funciones.

Ajuste de la profundidad de corte (Fig. 1)

Afloje la palanca de la guía de profundidad y mueva la base hacia arriba o hacia abajo. En la profundidad de corte deseada, fije la base apretando la palanca.

⚠ PRECAUCIÓN:

- Después de ajustar la profundidad de corte, apriete siempre la palanca firmemente.

Guía visual (Fig. 2)

Cuando corte, alinee la posición A de la parte delantera de la base con la línea de corte marcada en la pieza de trabajo.

Accionamiento del interruptor

⚠ PRECAUCIÓN:

- Antes de enchufar la herramienta, compruebe siempre para cerciorarse de que el gatillo interruptor se acciona debidamente y que vuelve a la posición "OFF" cuando lo suelta.

Para herramienta con botón de desbloqueo (Fig. 3)

Para evitar que el gatillo pueda accionarse accidentalmente, se ha provisto un botón de desbloqueo.

Para poner en marcha la herramienta, presione hacia dentro el botón de desbloqueo y apriete el gatillo interruptor. Suelte el gatillo interruptor para parar.

⚠ PRECAUCIÓN:

- No apriete el gatillo interruptor con fuerza sin presionar el botón de desbloqueo. Ello podrá ocasionar la rotura del interruptor.

Para herramienta sin botón de desbloqueo (Fig. 4)

Para poner en marcha la herramienta, simplemente apriete el gatillo interruptor. Suelte el gatillo interruptor para parar.

MONTAJE

⚠ PRECAUCIÓN:

- Cerciórese siempre de que la herramienta está apagada y desenchufada antes de realizar cualquier trabajo en ella.

Instalación o desmontaje del disco

⚠ PRECAUCIÓN:

- Utilice solamente la llave Makita provista para instalar o desmontar el disco. De lo contrario, podrá producirse apretamiento excesivo o insuficiente del perno hexagonal. Esto podría ocasionar graves heridas al operario.
- No toque el disco con las manos desnudas inmediatamente después de cortar; podría estar muy caliente y quemarle la piel. Póngase guantes cuando vaya a desmontar un disco que esté caliente.

Para desmontar el disco, primero empuje y gire el pomo que sujeta la cubierta contra el polvo hacia la derecha hasta el símbolo ○ y quite la cubierta contra el polvo. Presione el bloqueo del eje de forma que el disco no pueda girar y afloje el perno hexagonal girándolo hacia la izquierda con la llave hexagonal. Después quite la brida exterior y el disco. (Fig. 5 y 6)

Para instalar el disco, siga el procedimiento de desmontaje a la inversa. Instale siempre el disco de forma que la flecha del disco quede orientada en la misma dirección que la flecha de la caja del disco.

ASEGÚRESE DE APRETAR EL PERNO HEXAGONAL FIRMEMENTE. (Fig. 7)

Después de instalar el disco, vuelva a poner la cubierta contra el polvo. Deslice la cubierta contra el polvo con cuidado de forma que la ranura de su parte delantera encaje en la nervadura de la caja del disco. Asegúrese de que la cubierta contra el polvo encaje debidamente y después empuje gire el pomo hacia la izquierda hasta el símbolo ● (Fig. 8)

Limpieza del protector de disco

Cuando vaya a cambiar el disco, asegúrese de limpiar también las virutas metálicas acumuladas en los protectores de disco superior e inferior como se indica en la sección de mantenimiento. Esta tarea no exime de la necesidad de comprobar la operación del protector inferior antes de cada uso.

Guía lateral (regla guía) (Accesorio) (Fig. 9)

La útil guía lateral (regla guía) le permite hacer cortes rectos extra-precisos. Simplemente saque la guía lateral deslizándola hasta ajustarla contra el costado de la pieza de trabajo y sujétela en posición con el tornillo de fijación de la parte delantera de la base. Con ella también se pueden hacer cortes repetidos de anchura uniforme.

OPERACIÓN

⚠ PRECAUCIÓN:

- No retuerza ni fuerce la herramienta en el corte. Ello podrá ocasionar una sobrecarga al motor y/o un peligroso retroceso brusco, resultando en graves heridas al operario.

Sujete la herramienta firmemente con ambas manos. Coloque la placa base sobre la pieza de trabajo a cortar sin que el disco la esté tocando. Después encienda la herramienta y espere hasta que adquiera plena velocidad. Mueva la herramienta hacia delante sobre la superficie de la pieza de trabajo, manteniéndola plana y avanzando suavemente hasta completar el corte. Mantenga recta la línea de corte y su velocidad de avance uniforme. (Fig. 10)

La mirilla de la base facilita la comprobación de la distancia entre el borde delantero del disco y la pieza de trabajo siempre que el disco está ajustado a la profundidad de corte máxima. (Fig. 11)

NOTA:

- Cuando haga cortes en inglete, etc., algunas veces el protector inferior no se moverá fácilmente. En tal caso, utilice la manivela retráctil para subir el protector inferior al iniciar el corte y suelte la manivela retráctil en cuanto el disco comience a penetrar el material. (Fig. 12)

⚠ PRECAUCIÓN:

- No utilice un disco deformado o agrietado. Reemplácelo con uno nuevo.
- No apile materiales cuando los corte.
- No corte acero templado, acero inoxidable, aluminio, madera, plásticos, cemento, baldosas, etc. **Corte solamente acero suave.**
- No toque el disco, la pieza de trabajo o las virutas del corte con las manos desnudas inmediatamente después de cortar; podrían estar muy calientes y quemarle la piel.
- **Utilice siempre discos de carburo apropiados para su trabajo.** La utilización de discos no apropiados podrá ocasionar un mal rendimiento de corte y/o presentar un riesgo de sufrir heridas personales.

Para retirar las virutas

⚠ PRECAUCIÓN:

- Asegúrese siempre de que la herramienta esté apagada y desenchufada antes de quitar o instalar la cubierta contra el polvo.
- La cubierta contra el polvo podrá calentarse debido a las virutas calientes. No toque las virutas de corte ni la cubierta contra el polvo con las manos desnudas.

Cuando las virutas de corte sean visibles a través de la mirilla, retírelas. (Fig. 13)

Empuje y gire el pomo hacia la derecha hasta el símbolo ○ y quite la cubierta contra el polvo. Retire las virutas de corte acumuladas dentro de la cubierta contra el polvo. (Fig. 14)

⚠ PRECAUCIÓN:

- No ponga la herramienta al revés. Las virutas de corte acumuladas dentro de la cubierta contra el polvo podrán caerse de la cubierta contra el polvo.
- Maneje la cubierta contra el polvo con cuidado para que no se deforme o dañe.

MANTENIMIENTO

⚠ PRECAUCIÓN:

- Asegúrese siempre de que la herramienta esté desconectada y desenchufada antes de realizar ninguna inspección o mantenimiento.
- **Limpie los protectores superior e inferior para asegurarse de que no hay acumuladas virutas metálicas que pueden impedir la operación del sistema de protección inferior.** Un sistema de protección sucio puede limitar la operación apropiada lo que puede resultar en heridas personales graves. **Cuando utilice aire comprimido para retirar las virutas metálicas de los protectores soplándolas, póngase protección para los ojos y respiratoria apropiada.**
- No utilice nunca gasolina, bencina, disolvente, alcohol o similares. Podría producir descoloración, deformación o grietas.

Inspección del disco

- Compruebe el disco cuidadosamente para ver si tiene grietas o daños antes y después de cada utilización. Reemplace el disco inmediatamente si está agrietado o dañado.
- Si continúa utilizando un disco desafilado podrá ocasionar un peligroso retroceso brusco y/o sobrecarga al motor. Reemplácelo con un disco nuevo en cuanto deje de cortar eficazmente.
- **Los discos de carburo para cortador de metal no se pueden afilar.**

Reemplazo de las escobillas de carbón (Fig. 15 y 16)

Extraiga e inspeccione las escobillas de carbón regularmente. Reemplácelas cuando se hayan desgastado hasta la marca límite. Mantenga las escobillas de carbón limpias de forma que entren libremente en los portaescobillas. Deberán reemplazarse ambas escobillas de carbón al mismo tiempo. Utilice únicamente escobillas de carbón idénticas.

Utilice un destornillador para quitar los tapones portaescobillas. Extraiga las escobillas desgastadas, inserte las nuevas y vuelva a colocar los tapones portaescobillas.

Para mantener la SEGURIDAD y la FIABILIDAD del producto, las reparaciones y cualquier otro mantenimiento o ajuste deberán ser realizados por los centros de servicio autorizado de Makita, siempre con piezas de repuesto de Makita.

ACCESORIOS OPCIONALES

⚠ PRECAUCIÓN:

- Estos accesorios o acoplamientos están recomendados para utilizar con su herramienta Makita especificada en este manual. El empleo de cualesquiera otros accesorios o acoplamientos conllevará un riesgo de sufrir heridas personales. Utilice los accesorios o acoplamientos solamente para su fin establecido.

Si necesita cualquier ayuda para más detalles en relación con estos accesorios, pregunte a su centro de servicio Makita local.

- Guía lateral (Regla guía)
- Discos de carburo y gamas de piezas de trabajo recomendados

NOTA:

Algunos elementos de la lista podrán estar incluidos en el paquete de la herramienta como accesorios estándar. Pueden variar de un país a otro.

Discos metálicos de carburo para muchas aplicaciones

Tamaño (mm)	Aplicaciones													
	CHAPA METÁLICA		ESPÁRRAGO-C		ESPÁRRAGO-ÁNGULO		ESPÁRRAGO DE ACERO		MOLDURAS	TUBO			CHAPA CORROGURADA	
	t=1,5	t=3,0	50x100 t=1,6	45x90 t=3,2	50x50 t=4	50x50 t=6	t=0,56 25Ga	t=1,6 16Ga	Ø20	50x100 t=3,2	Ø25 t=1,2	Ø60 t=3,8	t=0-0,9	t=1,0-2,0
185x36T	✗	○	✗	○	○	○	○	✗	○	○	△	○	✗	✗
185x38T	△	○	△	○	○	○	○	△	○	○	○	○	✗	✗
185x48T	○	○	○	○	△	○	○	○	△	○	○	△	✗	△
185x70T	○	△	✗	✗	✗	✗	△	✗	✗	✗	✗	✗	○	△

005705

○ Excelente ○ Bueno △ Regular ✗ No aplicable

⚠ PRECAUCIÓN:

ENG901-2

- Utilice siempre discos de carburo apropiados para su trabajo. No corte aluminio, madera, plásticos, cemento, baldosas, etc.
- Los discos de carburo para cortadores de metal no se afilan.

ENG905-1

Ruido

El nivel de ruido A-ponderado típico determinado de acuerdo con la norma EN62841-2-5:

Nivel de presión sonora (L_{pA}): 105 dB (A)
 Nivel de potencia sonora (L_{WA}): 113 dB (A)
 Error (K): 3 dB (A)

ENG907-1

NOTA:

- El valor (o los valores) de emisión de ruido declarado ha sido medido de acuerdo con un método de prueba estándar y se puede utilizar para comparar una herramienta con otra.
- El valor (o valores) de emisión de ruido declarado también se puede utilizar en una valoración preliminar de exposición.

⚠ ADVERTENCIA:

- Póngase protectores para oídos.
- La emisión de ruido durante la utilización real de la herramienta eléctrica puede variar del valor (o los valores) de emisión declarado dependiendo de las formas en las que la herramienta sea utilizada, especialmente qué tipo de pieza de trabajo se procesa.
- Asegúrese de identificar medidas de seguridad para proteger al operario que estén basadas en una estimación de la exposición en las condiciones reales de utilización (teniendo en cuenta todas las partes del ciclo operativo como las veces cuando la herramienta está apagada y cuando está funcionando en vacío además del tiempo de gatillo).

ENG900-1

Vibración

El valor total de la vibración (suma de vectores triaxiales) determinado de acuerdo con la norma EN62841-2-5:

Modo tarea: corte de metal
 Emisión de vibración ($a_{h, M}$): 2,5 m/s² o menos
 Error (K): 1,5 m/s²

NOTA:

- El valor (o los valores) total de emisión de vibración declarado ha sido medido de acuerdo con un método de prueba estándar y se puede utilizar para comparar una herramienta con otra.
- El valor (o los valores) total de emisión de vibración declarado también se puede utilizar en una valoración preliminar de exposición.

⚠ ADVERTENCIA:

- La emisión de vibración durante la utilización real de la herramienta eléctrica puede variar del valor (o los valores) de emisión declarado dependiendo de las formas en las que la herramienta sea utilizada, especialmente qué tipo de pieza de trabajo se procesa.
- Asegúrese de identificar medidas de seguridad para proteger al operario que estén basadas en una estimación de la exposición en las condiciones reales de utilización (teniendo en cuenta todas las partes del ciclo operativo como las veces cuando la herramienta está apagada y cuando está funcionando en vacío además del tiempo de gatillo).

DECLARACIONES DE CONFORMIDAD

Sólo para países europeos

Las declaraciones de conformidad están incluidas como Anexo A de este manual de instrucciones.

Explicação geral

1 Alavanca	10 Parafuso com cabeça de encaixe hexagonal	16 Vedação para escarificação (Guia paralela)
2 Guia de profundidade	11 Falange exterior	17 Parafuso
3 Linha de corte	12 Lâmina de serra com pontas de carboneto	18 Peça de trabalho
4 Gatilho	13 Falange interior	19 Mira
5 Botão de segurança	14 Ranhura	20 Alavanca de retorno
6 Tampa do pó	15 Nervura	21 Marca limite
7 Botão		22 Chave de parafusos
8 Chave hexagonal		23 Tampa do porta escovas
9 Bloqueio do veio		

ESPECIFICAÇÕES

GEB155-1

Modelo	4131
Diâmetro da lâmina	185 mm
Capacidade máx. de corte	63 mm
Velocidade em vazio (min ⁻¹)	3.500
Comprimento total	358 mm
Peso líquido	4,8 kg
Classe de segurança	II

- Devido ao nosso programa contínuo de pesquisa e desenvolvimento, as características indicadas neste documento estão sujeitas a alterações sem aviso prévio.
- As especificações podem diferir de país para país.
- Peso de acordo com o Procedimento 01/2014 da EPTA (European Power Tool Association)

ENE022-1

Utilização a que se destina

A ferramenta foi concebida para cortar aço macio.

ENF002-2

Alimentação

A ferramenta só deve ser ligada a uma fonte de alimentação com a mesma voltagem da indicada na placa de características e só funciona com alimentação CA monofásica. Tem um sistema de isolamento duplo e pode, por isso, utilizar tomadas sem ligação à terra.

GEA010-2

Avisos gerais de segurança para ferramentas elétricas

⚠ AVISO: Leia todos os avisos de segurança, instruções, ilustrações e especificações fornecidos com esta ferramenta elétrica. O incumprimento de todas as instruções abaixo enumeradas pode resultar em choque elétrico, incêndio e/ou ferimentos graves.

Guarde todos os avisos e instruções para futuras referências.

O termo "ferramenta elétrica" nos avisos refere-se às ferramentas elétricas ligadas à corrente elétrica (com cabo) ou às ferramentas elétricas operadas por meio de bateria (sem cabo).

AVISOS DE SEGURANÇA DO CORTADORA DE METAL

Procedimentos de corte

1. **⚠ PERIGO: Mantenha as mãos afastadas da área de corte e da lâmina. Mantenha a outra mão na pega auxiliar ou na caixa do motor.** Se as duas mãos estiverem a pegar na serra, não podem ser cortadas pela lâmina.
2. **Não toque na superfície inferior da peça de trabalho.** O resguardo não o protege da lâmina debaixo da peça de trabalho.
3. **Regule a profundidade do corte em relação à espessura da peça de trabalho.** Só deve ser possível ver menos de um dente completo da lâmina sob a peça de trabalho.
4. **Nunca segure a peça de trabalho nas mãos ou apoiada em sua perna enquanto efetua o corte. Fixe a peça de trabalho numa plataforma estável.** É importante apoiar a peça de trabalho de forma apropriada para minimizar a exposição do corpo, a dobragem da lâmina ou a perda de controlo.
5. **Agarre na ferramenta elétrica pelas superfícies isoladas preparadas para esse fim quando executar uma operação em que a ferramenta com cablagem escondida ou o próprio cabo.** O contacto com um fio "sob tensão" também fará com que as partes de metal expostas da ferramenta elétrica fiquem "sob tensão", provocando um choque elétrico ao operador.
6. **Em escarificação use sempre uma guia paralela ou uma guia reta.** Melhora a precisão do corte e reduz a possibilidade de a lâmina encravar.
7. **Use sempre lâminas com o tamanho e forma (diamante versus redonda) corretos de orifícios do eixo.** As lâminas que não correspondem ao equipamento de montagem da serra desviar-se-ão do centro, causando perda de controlo.
8. **Nunca utilize arruelas ou pernos de lâmina estragados ou incorretos.** As arruelas e pernos da lâmina foram concebidos para a sua serra, para maior rendimento e segurança na operação.

Causas e avisos sobre recuos

- o recuo é uma reação súbita a uma lâmina de serra apertada, encravada ou desalinhada, fazendo com que uma serra descontrolada se eleve e saia da peça de trabalho em direção ao operador;
- quando a lâmina é apertada ou encravada pelo fecho do corte, a lâmina para e a reação do motor aciona a unidade rapidamente para trás em direção ao operador;

- se a lâmina torcer ou ficar desalinhada no corte, os dentes no bordo traseiro da lâmina podem penetrar na superfície superior da peça de trabalho, causando a subida da lâmina do corte e o resalto em direção ao operador.

O recuo é o resultado de má utilização da serra e/ou de procedimentos ou condições de funcionamento incorretos e pode ser evitado tomando as precauções adequadas como indicado abaixo.

1. **Mantenha a serra bem agarrada com as duas mãos e posicione os braços para resistir às forças de recuo. Posicione o seu corpo num dos lados da lâmina, mas nunca alinhado com a lâmina.** O recuo pode fazer com que a serra salte para trás, mas as forças de recuo podem ser controladas pelo operador se forem tomadas as precauções apropriadas.
2. **Se a lâmina está presa ou se, por qualquer razão, interromper o corte, solte o gatilho e agarre na serra parada no material até que a lâmina pare completamente. Nunca tente retirar a serra da peça de trabalho nem puxar a serra para trás enquanto a lâmina está em movimento, pois pode ocorrer recuo.** Investigue e execute as ações corretivas para eliminar as causas de a lâmina encravar.
3. **Quando efetuar o re arranque de uma serra na peça de trabalho, centre a lâmina da serra no corte, de modo a que os dentes da serra não fiquem engatados no material.** Se uma lâmina de serra dobrar, poderá levantar ou recuar da peça de trabalho à medida que é efetuado o re arranque da serra.
4. **Suporte os painéis grandes para minimizar o risco de a lâmina prender e recuar.** Os painéis grandes tendem a ceder sob o próprio peso. Os suportes devem ser colocados sob o painel, nos dois lados, perto da linha de corte e perto da extremidade do painel.
5. **Não utilize lâminas rombas ou estragadas.** As lâminas não afiadas ou mal colocadas produzem um corte estreito causando fricção excessiva, encravamento da lâmina e recuo.
6. **As alavancas de bloqueio de regulação de profundidade e ângulo de corte devem estar apertadas e presas antes de fazer o corte.** Se a regulação da lâmina se alterar durante o corte, pode causar encravamento e recuo.
7. **Tenha cuidado especialmente ao serrar em paredes existentes ou outras áreas ocultas.** A lâmina saliente pode cortar objetos que podem originar recuo.
8. **Agarre SEMPRE na ferramenta firmemente com as duas mãos. NUNCA coloque as mãos, pernas ou outra parte do corpo por baixo da base da ferramenta ou por trás da serra, especialmente quando executar cortes cruzados.** Se ocorrer recuo, a serra pode facilmente saltar para trás sobre a sua mão, ocasionando ferimentos pessoais graves.
9. **Nunca force a serra. Empurre a serra para a frente a uma velocidade tal em que a lâmina corte sem perder velocidade.** Forçar a serra pode causar cortes desiguais, perda de precisão e possível recuo.

Função do resguardo

1. **Verifique se o resguardo inferior fecha bem antes de cada utilização. Não utilize a serra se o resguardo inferior não se movimentar livremente e fechar instantaneamente. Nunca fixe nem prenda o resguardo inferior na posição de aberto.** Se deixar cair a serra acidentalmente, o resguardo inferior pode ficar dobrado. Levante o resguardo inferior com a pega retratora e certifique-se de que se movimenta livremente e não toca na lâmina ou em qualquer outra parte, em todos os ângulos e profundidades de corte.
2. **Verifique o funcionamento da mola do resguardo inferior. Se o resguardo e a mola não estiverem a funcionar corretamente, devem ser reparados antes da utilização.** O resguardo inferior pode funcionar mal devido a peças danificadas, depósitos pegajosos ou acumulação de resíduos.
3. **O resguardo inferior pode ser retraído manualmente só para cortes especiais como “cortes penetrantes” e “cortes compostos”.** Levante o resguardo inferior pela pega retratora e assim que a lâmina entrar no material, deve libertar o resguardo inferior. Para todos os restantes tipos de corte, o resguardo inferior deve funcionar automaticamente.
4. **Certifique-se sempre de que o resguardo inferior está a cobrir a lâmina antes de colocar a serra sobre a bancada ou no chão.** Uma lâmina sem proteção, a rodar por inércia, fará com que a serra recue cortando tudo o que estiver no seu caminho. Preste atenção ao tempo que a lâmina leva a parar depois de soltar o gatilho.
5. **Para verificar o resguardo inferior, abra-o à mão, depois solte-o e observe se o resguardo se fecha. Certifique-se também de que a pega retratora não toca na caixa da ferramenta.** Deixar a lâmina exposta é MUITO PERIGOSO e pode originar ferimentos pessoais graves.

Avisos adicionais de segurança

1. **Não pare as lâminas por meio de pressão lateral na lâmina de serra.**
2. **PERIGO:**
Não tente remover material cortado quando a lâmina estiver em movimento.
PRECAUÇÃO: As lâminas giram livremente após desligar.
3. **Coloque a parte mais larga da base da serra na parte da peça de trabalho que está firmemente suportada e não na secção que cairá quando faz o corte.** Se a peça de trabalho for curta ou pequena, prenda-a com grampos de fixação. **NÃO TENTE AGARRAR PEÇAS PEQUENAS COM A MÃO!**
4. **Nunca tente realizar um corte com a ferramenta segura virada ao contrário num torno. Isso é extremamente perigoso e pode causar acidentes graves.**
5. **Use óculos de proteção e proteção auditiva durante o funcionamento.**
6. **Não utilize discos abrasivos.**
7. **Utilize apenas uma lâmina de serra que tenha o diâmetro marcado na ferramenta ou especificado no manual.** A utilização de uma lâmina de tamanho incorreto pode afetar a proteção adequada da lâmina ou a operação de resguardo, o que pode resultar em ferimentos pessoais graves.

- Use sempre a lâmina de serra prevista para cortar o material que vai cortar.
- Apenas use lâminas de serra marcadas com uma velocidade igual ou superior à velocidade marcada na ferramenta.

GUARDE ESTAS INSTRUÇÕES.

⚠ AVISO:

NÃO permita que o conforto ou familiaridade com o produto (adquirido com o uso repetido) substitua o cumprimento estrito das regras de segurança da ferramenta. A MÁ INTERPRETAÇÃO ou o não seguimento das regras de segurança estabelecidas neste manual de instruções pode provocar ferimentos pessoais graves.

DESCRIÇÃO DO FUNCIONAMENTO

⚠ PRECAUÇÃO:

- Antes de efetuar qualquer inspeção ou ajuste na ferramenta, verifique sempre se desligou a ferramenta e retirou a ficha da tomada de corrente.

Regule a profundidade de corte (Fig. 1)

Solte a alavanca na guia de profundidade e desloque a base para cima ou para baixo. Na profundidade de corte desejada, prenda a base prendendo a alavanca.

⚠ PRECAUÇÃO:

- Depois de regular a profundidade de corte, prenda sempre seguramente a alavanca.

Pontos de mira (Fig. 2)

Quando corta, alinhe a posição A na frente da base com a sua linha de corte na peça de trabalho.

Ação do interruptor

⚠ PRECAUÇÃO:

- Antes de ligar a ferramenta à corrente, certifique-se sempre de que o gatilho funciona corretamente e volta para a posição "OFF" quando libertado.

Ferramenta com botão de segurança (Fig. 3)

Para evitar que o gatilho seja acidentalmente pressionado, existe um botão de segurança.

Para iniciar a ferramenta, empurre o botão de segurança e carregue no gatilho. Liberte o gatilho para parar.

⚠ PRECAUÇÃO:

- Não puxe o gatilho do interruptor com força sem premir o botão de segurança. Pode partir o interruptor.

Ferramenta sem botão de segurança (Fig. 4)

Para ligar a ferramenta, carregue simplesmente no gatilho do interruptor. Solte o gatilho do interruptor para parar.

MONTAGEM

⚠ PRECAUÇÃO:

- Antes de efetuar qualquer inspeção ou manutenção na ferramenta, desligue sempre a ferramenta e retire a ficha da tomada de corrente.

Instalar ou retirar a lâmina da serra

⚠ PRECAUÇÃO:

- Utilize só a chave da Makita fornecida para instalar ou retirar a lâmina. Se assim não for, pode causar aperto excessivo ou insuficiente do perno hexagonal. Pode causar danos sérios ao operador.

- Não toque na lâmina com as mãos imediatamente depois do corte pois pode estar extremamente quente e queimar-se. Use luvas quando retirar uma lâmina quente.

Para retirar a lâmina, primeiro empurre e rode o botão que prende a cobertura do pó para a direita para o símbolo ○ e retire a cobertura do pó. Pressione o travão do eixo de modo a que a lâmina não se movimente e use a chave hexagonal para libertar o perno hexagonal para a esquerda. Em seguida retire a falange exterior e a lâmina. (Fig. 5 e 6)

Para instalar a lâmina, execute inversamente o procedimento de remoção. Instale sempre a lâmina de modo a que aponte para a mesma direção que as setas na caixa da lâmina.

CERTIFIQUE-SE DE QUE APERTA O PERNO HEXAGONAL SEGURAMENTE. (Fig. 7)

Depois de instalar a lâmina, substitua a cobertura do pó. Deslize a cobertura do pó cuidadosamente de modo a que a ranhura na sua frente encaixe na nervura na caixa da lâmina. Certifique-se de que a cobertura do pó encaixa corretamente e então empurre e rode o botão para a esquerda para o símbolo ●. (Fig. 8)

Limpeza do resguardo da lâmina

Quando mudar a lâmina, certifique-se de que também limpa as limalhas de metal acumuladas nos resguardos superior e inferior da lâmina, como indicado na secção Manutenção. Essas providências não invalidam a necessidade de verificar o funcionamento do resguardo inferior antes de cada utilização.

Vedação para escarificação (Guia paralela) (Acessório) (Fig. 9)

A muito útil vedação para escarificação (guia paralela) permite-lhe a execução de cortes completamente diretos. Encoste simplesmente a guia ao lado da superfície de trabalho e fixe-a na posição com o grampo de parafuso na frente da base. Também possibilita a execução de cortes repetitivos com profundidade uniforme.

OPERAÇÃO

⚠ PRECAUÇÃO:

- Mantenha a ferramenta firme e sem forçar no corte. Pode causar sobrecarga do motor e/ou recuo perigoso resultando em danos sérios do operador.

Agarre na ferramenta firmemente com as duas mãos. Apoie a placa base na peça de trabalho a ser cortada sem que a lâmina faça contacto. Em seguida ligue e espera até que a lâmina atinja a velocidade máxima. Desloque a ferramenta para a frente sobre a peça de trabalho, mantendo-a nivelada e avançando suavemente até que termine o corte. Mantenha a sua linha de corte direita e a sua velocidade de avanço uniforme. (Fig. 10) A mira na base facilita a verificação da distância entre a extremidade da frente da lâmina da serra e da peça de trabalho sempre que a lâmina esteja regulada na profundidade máxima de corte. (Fig. 11)

NOTA:

- Quando executa cortes de esquadria, etc., às vezes o protetor inferior não se desloca facilmente. Nessa altura, utilize a alavanca de retração para levantar o protetor inferior para iniciar o corte e assim que a lâmina entrar no material liberte a alavanca de retração. (Fig. 12)


PRECAUÇÃO:

- Nunca utilize uma lâmina deformada ou rachada. Substitua-a por uma nova.
- Não empilhe o material quando o corta.
- Não corte aço reforçado, aço inoxidável, alumínio, madeira, plásticos, cimento, tijolos, etc. **Só corte aço mole.**
- Não toque na lâmina da serra, peça de trabalho ou aparas cortadas com as suas mãos imediatamente depois do corte. Podem estar extremamente quentes e queimar-se.
- **Utilize sempre lâminas de serra com pontas de carboneto apropriadas para o seu trabalho.** A utilização de lâminas não apropriadas pode originar fraco rendimento de corte e/ou apresentar o risco de danos pessoais.

Disposição de aparas

PRECAUÇÃO:

- Certifique-se sempre de que a ferramenta está desligada e a ficha retirada da tomada antes de retirar ou instalar a cobertura do pó.
- A cobertura do pó pode aquecer devido a aparas quentes. Não toque nas aparas cortadas ou na cobertura do pó com as suas mãos.

Quando as aparas cortadas são visíveis através da mira, deite-as fora. (Fig. 13)
Empurre e rode o botão para a direita para o símbolo  e retire a cobertura do pó. Deite fora as aparas acumuladas dentro da cobertura do pó. (Fig. 14)

PRECAUÇÃO:

- Não volte a ferramenta ao contrário. As aparas de corte acumuladas dentro da cobertura do pó podem cair da cobertura.
- Tenho cuidado com a cobertura do pó para que não fique deformada ou estragada.

MANUTENÇÃO

PRECAUÇÃO:

- Antes de efetuar qualquer inspeção ou manutenção, desligue sempre a ferramenta e retire a ficha da tomada de corrente.
- **Limpe os resguardos superior e inferior para garantir que não existem limalhas de metal acumuladas que possam impedir o funcionamento do sistema de resguardo inferior.** Um sistema de resguardo sujo pode limitar o funcionamento adequado o que pode resultar em ferimentos pessoais graves. **Quando utilizar ar comprimido para soprar as limalhas de metal dos resguardos, utilize proteções oculares e respiratórias adequadas.**
- Nunca utilize gasolina, benzina, diluente, álcool ou produtos semelhantes. Pode ocorrer a descoloração, deformação ou rachaduras.

Inspeção da lâmina da serra

- Verifique cuidadosamente se a lâmina tem rachas ou está estragada antes de depois de cada utilização. Substitua imediatamente uma lâmina rachada ou estragada.
- Continuar a utilizar uma lâmina embotada pode causar um recuo perigoso e/ou sobrecarga do motor. Substitua por uma lâmina nova assim que deixar de cortar efetivamente.
- **Lâminas de serra com pontas de carboneto para cortador de metal não podem ser afiadas.**

Substituição das escovas de carvão (Fig. 15 e 16)

Retire e inspecione as escovas de carvão regularmente. Substitua-as quando estiverem gastas até à marca limite. Mantenha as escovas de carvão limpas e a deslizar livremente nos suportes. As duas escovas de carvão devem ser substituídas ao mesmo tempo. Utilize só escovas de carvão idênticas.

Utilize uma chave de parafusos para retirar as tampas do porta escovas. Tire as escovas gastas, coloque as novas e prenda as tampas do porta escovas.

Para manter a SEGURANÇA e FIABILIDADE, as reparações e outras ações de manutenção ou ajustes devem ser executados pelos Centros de assistência autorizados da Makita, utilizando sempre peças de substituição Makita.

ACESSÓRIOS OPCIONAIS

PRECAUÇÃO:

- Estes acessórios ou peças extra são recomendadas para utilização com a sua ferramenta Makita especificada neste manual. A utilização de qualquer outros acessórios ou peças extra podem apresentar o risco de ferimentos. Só utilize os acessórios ou peças extras para o fim a que são destinados.

Se necessitar de informações adicionais relativas a estes acessórios, solicite-as ao seu centro de assistência Makita.

- Vedação para escarificação (Guia paralela)
- Lâminas de serra com pontas de carboneto recomendadas e gama das peças de trabalho

NOTA:

- Alguns itens da lista podem estar incluídos na embalagem da ferramenta como acessórios padrão. Eles podem variar de país para país.

	Aplicações													
	FOLHA DE METAL		REBITE C		REBITE DE ÂNGULO		REBITE DE METAL		REBAR	TUBO			FOLHA ONDULADA	
Tamanho (mm)	t=1,5	t=3,0	50x100 t=1,6	45x90 t=3,2	50x50 t=4	50x50 t=6	t=0,56 25Ga	t=1,6 16Ga	∅20	50x100 t=3,2	∅25 t=1,2	∅60 t=3,8	t=0-0,9	t=1,0-2,0
185x36T	✗	○	✗	○	○	○	○	✗	○	○	△	○	✗	✗
185x38T	△	○	△	○	○	○	○	△	○	○	○	○	✗	✗
185x48T	○	○	○	○	△	○	○	○	△	○	○	△	✗	△
185x70T	○	△	✗	✗	✗	✗	△	✗	✗	✗	✗	✗	○	△

005705



Excelente



Bom



Razoável



Não se aplica

⚠ PRECAUÇÃO:

- Utilize sempre lâminas de serra com pontas de carboneto apropriadas para o seu trabalho. Não corte alumínio, madeira, plásticos, cimento, tijolos, etc.
- Lâminas de serra com pontas de carboneto para seras de corte de metal não podem ser afiadas.

ENG905-1

Ruído

A característica do nível de ruído A determinado de acordo com EN62841-2-5:

Nível de pressão de som (L_{pA}): 105 dB (A)

Nível do som (L_{WA}): 113 dB (A)

Variabilidade (K): 3 dB (A)

ENG907-1

NOTA:

- O(s) valor(es) da emissão de ruído indicado(s) foi medido de acordo com um método de teste padrão e pode ser utilizado para comparar duas ferramentas.
- O(s) valor(es) da emissão de ruído indicado(s) pode também ser utilizado na avaliação preliminar da exposição.

⚠ AVISO:

- Utilize protetores auriculares.
- A emissão de ruído durante a utilização real da ferramenta elétrica pode diferir do(s) valor(es) indicado(s), dependendo das formas como a ferramenta é utilizada, especialmente o tipo de peça de trabalho que é processada.
- Certifique-se de identificar as medidas de segurança para proteção do operador que sejam baseadas em uma estimativa de exposição em condições reais de utilização (considerando todas as partes do ciclo de operação, tal como quando a ferramenta está desligada e quando está a funcionar em marcha lenta além do tempo de accionamento).

ENG900-1

Vibração

O valor total da vibração (soma vetorial tri-axial) determinado de acordo com EN62841-2-5:

Modo de funcionamento: corte de metal

Emissão de vibração ($a_{h,M}$): 2,5 m/s² ou inferior

Variabilidade (K): 1,5 m/s²

NOTA:

- O(s) valor(es) total(ais) de vibração indicado(s) foi medido de acordo com um método de teste padrão e pode ser utilizado para comparar duas ferramentas.
- O(s) valor(es) total(ais) de vibração indicado(s) pode também ser utilizado na avaliação preliminar da exposição.

⚠ AVISO:

- A emissão de vibração durante a utilização real da ferramenta elétrica pode diferir do(s) valor(es) indicado(s), dependendo das formas como a ferramenta é utilizada, especialmente o tipo de peça de trabalho que é processada.
- Certifique-se de identificar as medidas de segurança para proteção do operador que sejam baseadas em uma estimativa de exposição em condições reais de utilização (considerando todas as partes do ciclo de operação, tal como quando a ferramenta está desligada e quando está a funcionar em marcha lenta além do tempo de accionamento).

DECLARAÇÕES DE CONFORMIDADE

Apenas para países europeus

As Declarações de conformidade estão incluídas no Anexo A deste manual de instruções.

ENG901-2

Illustrationsoversigt

1	Arm	9	Skaftlås	17	Skrue
2	Dybdemåler	10	Skrue med indvendig sekskant	18	Arbejdsstykke
3	Skærelinie	11	Udvendig flange	19	Kontrolrude
4	Start/stop-kontakt	12	Savklinge med hårdmetalskær	20	Tilbagetrækningsarm
5	Låseknop	13	Indvendig flange	21	Slidgrænse
6	Støvdæksel	14	Åbning	22	Skruetrækker
7	Greb	15	Ribbe	23	Kulholderdæksel
8	Sekskantnøgle	16	Parallellanslag (føringslineal)		

SPECIFIKATIONER

Model	4131
Klingediameter	185 mm
Maks. skærekapacitet	63 mm
Ubelastet hastighed (min ⁻¹)	3 500
Længde	358 mm
Vægt	4,8 kg
Sikkerhedsklasse	□/II

- På grund af vores kontinuerlige forskningsprogrammer og udvikling, kan hosstående specifikationer blive ændret uden varsel.
- Specifikationer kan variere fra land til land.
- Vægt i henhold til EPTA-Procedure 01/2014

ENE022-1

Tilsigtet anvendelse

Maskinen er beregnet til skæring i blødt stål.

ENF002-2

Strømforsyning

Maskinen må kun tilsluttes en strømforsyning med den samme spænding, som den der er angivet på typeskiltet, og kan kun anvendes med enkeltfaset vekselstrømforsyning. Den er dobbeltisoleret og kan derfor også anvendes fra kontakter uden jordledning.

GEA010-2

Almindelige sikkerhedsregler for el-værktøj

⚠ ADVARSEL: Læs alle sikkerhedsadvarsler, instruktioner, illustrationer og specifikationer, der følger med denne maskine. Hvis du ikke følger alle nedenstående instruktioner, kan det medføre elektrisk stød, brand og/eller alvorlig personskade.

Gem alle advarsler og instruktioner til fremtidig reference.

Ordet "el-værktøj" i advarselne henviser til det netforsyngede (netledning) el-værktøj eller batteriforsyngede (akku) el-værktøj.

GEB155-1

SIKERHEDSADVARSLER FOR METALSAV

Fremgangsmåder for skæring

1. **⚠ FARE: Hold hænderne på god afstand af skærområdet og klingens. Hold den anden hånd på hjælpehåndtaget eller motorhuset.** Hvis De holder saven med begge hænder, kan klingens ikke komme til at skære i dem.

2. **Ræk ikke ned under arbejdsemnet.** Beskyttelses-skærmen kan ikke beskytte Dem mod klingens nedend under arbejdsemnet.
3. **Juster skæredybden efter tykkelsen af arbejdsemnet.** Mindre end en hel tand i klingetænderne bør være synlig under arbejdsemnet.
4. **Hold aldrig arbejdsemnet i hænderne eller hen over benet, mens der skæres. Fastgør arbejdsemnet til en stabil platform.** Det er vigtigt at understøtte arbejdsemnet korrekt for at minimere risikoen for udsættelse af kroppen, binding af klingens eller tab af kontrollen.
5. **Hold maskinen i de isolerede håndtagsflader, når der udføres et arbejde, hvor den skærende maskine kan komme i kontakt med skjulte ledninger eller maskinens egen ledning.** Kontakt med en strømførende ledning vil bevirke, at synlige metaldele på maskinen også bliver strømførende, hvorved operatøren kan få elektrisk stød.
6. **Ved kløvning skal der altid anvendes et parallellanslag eller en lige styreskinne.** Dette vil forbedre nøjagtigheden af snittet og mindske risikoen for, at klingens binder.
7. **Brug altid klinger med akselhuller af den korrekte størrelse og form (kantede eller runde).** Klinger, der ikke svarer til savens monteringsdele, vil rotere skævt, så du mister kontrollen.
8. **Anvend aldrig beskadigede eller forkerte spændeskiver og bolte til klingens.** Klingens spændeskiver og bolte er specielt fremstillede til Deres sav og til optimal ydelse og sikker anvendelse.

Årsager til tilbageslag og relaterede advarsler

- Tilbageslag er en pludselig reaktion på en fastklemt, fastsiddende eller forkert justeret savklinge, som kan medføre, at en ukontrolleret sav løftes opad og ud af arbejdsemnet i retning mod operatøren.
- Når klingens kommer i klemme eller sidder fast, fordi savsnittet lukkes sammen, stopper klingens, og motorreaktionen skubber apparatet hurtigt tilbage mod operatøren.
- Hvis klingens bliver vredet eller sidder skævt i snittet, kan tænderne på den bagerste kant af klingens skære ind i arbejdsemnets øverste overflade, og forårsage at klingens løftes ud af savsnittet og springer tilbage mod operatøren.

Tilbageslag skyldes forkert anvendelse af savens og/eller forkert fremgangsmåde for anvendelse eller forkerte forhold og kan undgås ved, at der træffes de rigtige forholdsregler som vist herunder.

1. **Oprethold et fast greb med begge hænder på saven, og hold armene således, at tilbageslagskraften modvirkes. Stil Dem på siden af klingen, men ikke på linje med den.** Tilbageslag kan bevirke, at saven springer bagud, men tilbageslagskraften kan kontrolleres af operatøren, hvis denne træffer de fornødne forholdsregler.
2. **Hvis klingen binder, eller hvis skæringen af en eller anden årsag afbrydes, skal De slippe afbryderknappen og holde saven stille i materialet, indtil klingen er standset helt. Forsøg aldrig at fjerne saven fra arbejdsemnet eller at trække saven bagud, mens klingen er i bevægelse, da dette kan medføre tilbageslag.** Undersøg situationen, og træf afhjælpningsforanstaltninger for at eliminere årsagen til, at klingen binder.
3. **Når saven startes igen i arbejdsemnet, skal du centrere savklingen i savsnittet, så savtænderne ikke sidder fast i emnet.** Hvis savklingen binder, kan den bevæge sig opad eller slå tilbage fra arbejdsemnet, når saven startes igen.
4. **Anvend store støtteplader til at minimere risikoen for fastklemning af klingens og tilbageslag.** Store plader har tendens til at synke under deres egen vægt. Der skal anbringes støtter under pladerne i begge sider, i nærheden af skærelinjen og nær kanten af pladen.
5. **Anvend ikke sløve eller beskadigede klinger.** Uskarpe eller forkert monterede klinger frembringer et snævert savsnit, som medfører kraftig friktion, binding af klingens og tilbageslag.
6. **Låsegrebene til klingedybde og skråsnitindstilling skal være stramme og sikre, inden skæringen påbegyndes.** Hvis klingeindstillingen ændrer sig under skæringen, kan der opstå binding og tilbageslag.
7. **Vær særlig forsigtig, når der saves ind i eksisterende vægge eller andre skjulte områder.** Savklingen, som stikker frem, kan komme til at skære i genstande, der kan medføre tilbageslag.
8. **Hold ALTID fast i maskinen med begge hænder. Placer ALDRIG Deres hånd, ben eller nogen del af kroppen under maskinens grundplade eller bag ved saven, især når De foretager krydssnit.** Hvis der opstår tilbageslag, kan saven nemt springe bagud over Deres hånd, hvorved der kan ske alvorlig personskade.
9. **Pres aldrig saven. Tryk saven fremad med en hastighed, så klingens skærer, uden at hastigheden sænkes.** Hvis De presser saven, kan der opstå uensartede skæringer, tab af præcision og muligt tilbageslag.

Beskyttelsesskærmens funktion

1. **Kontroller, at den nederste beskyttelsesskærm lukker korrekt inden hver brug. Anvend ikke saven, hvis den nederste beskyttelsesskærm ikke bevæger sig frit og lukker med det samme. Den nederste beskyttelsesskærm må aldrig fastspændes eller fastbindes i den åbne stilling.** Hvis saven ved et uheld tabes, kan den nederste beskyttelsesskærm blive bøjet. Hæv den nederste beskyttelsesskærm med tilbagetrækningshåndtaget og kontroller, at den bevæger sig frit og ikke kommer i berøring med klingens eller andre dele i alle vinkler og skæredybder.

2. **Kontroller den nederste beskyttelsesskærmfjederens funktion.** Hvis beskyttelsesskærmen og fjederen ikke fungerer korrekt, skal de serviceres inden brugen. Den nederste beskyttelsesskærm kan fungere trægt på grund af beskadigede dele, gummiaflejringer eller ansamling af affaldsstoffer.
3. **Den nederste beskyttelsesskærm må kun trækkes tilbage manuelt i tilfælde af specielle snit som for eksempel "stikssnit" eller "kombinerede snit".** Hæv den nederste beskyttelsesskærm ved at trække håndtaget tilbage, og så snart klingens går ind i materialet, bør den nederste beskyttelsesskærm slippes. Ved alle andre former for savning skal den nederste beskyttelsesskærm have lov at bevæge sig automatisk.
4. **Sørg altid for, at den nederste beskyttelsesskærm dækker klingens, inden saven anbringes på bænk eller gulv.** En ubeskyttet, roterende klinge vil bevirke, at saven bevæger sig bagud og skærer i alt, hvad der er i dens bane. Vær opmærksom på den tid, det tager for klingens at stoppe, efter at afbryderen er sluppet.
5. **For at kontrollere den nederste beskyttelsesskærm, skal man åbne den med hånden og derefter slippe den og bekræfte lukningen af skærmen.** Kontroller ligeledes, at tilbagetrækningshåndtaget ikke kommer i berøring med maskinhuset. At efterlade klingens synlig er MEGET FARLIGT og kan føre til alvorlig personskade.

Supplerende sikkerhedsforskrifter

1. **Stop ikke klingerne ved hjælp af lateralt tryk på savklingen.**
2. **FARE:**
Forsøg ikke at fjerne afskåret materiale, mens klingens bevæger sig.
FORSIGTIG: Klingerne bevæger sig, efter at der er slukket.
3. **Anbring den bredeste del af savgrundpladen på den del af arbejdsemnet, som er solidt understøttet, ikke på den del, som vil falde af, når skæringen er fuldført.** Hvis arbejdsemnet er kort eller lille, skal det spændes fast. **FORSØG IKKE AT HOLDE KORTE ARBEJDESMENER FAST MED HÅNDEN!**
4. **Forsøg aldrig at udføre et snit med maskinens fastspændt med bunden i vejret i en skruestik.** Dette er ekstremt farligt og kan medføre alvorlige ulykker.
5. **Bær beskyttelsesbriller og høreværn under brugen.**
6. **Anvend ikke slibeskiver.**
7. **Anvend kun savklinger med den diameter, der er markeret på maskinen eller specificeret i manualen.** Brug af en klinge med en forkert størrelse kan hindre korrekt afskærmning af klingens eller beskyttelsesskærmens funktion, hvilket kan medføre alvorlig personskade.
8. **Brug altid en savklinge, der er beregnet til at skære i det materiale, du skal skære i.**
9. **Brug kun savklinger, der er mærket med en hastighed svarende til eller større end den hastighed, der er angivet på maskinen.**

GEM DISSE FORSKRIFTER.

ADVARSEL:

LAD IKKE bekvemmelighed eller kendskab til produktet (opnået gennem gentagen brug) forhindre, at sikkerhedsforskrifterne for produktet nøje overholdes. MISBRUG eller forsømmelse af at følge de i denne brugsvejledning givne sikkerhedsforskrifter kan medføre alvorlig personskade.

FUNKTIONSBESKRIVELSE

FORSIGTIG:

- Sørg altid for at maskinen er slukket og netstikket er trukket ud, før der udføres justering eller eftersyn af maskinens funktioner.

Indstilling af skæredybden (Fig. 1)

Løsn armen på dybdestyret og flyt basen op eller ned. Fastgør basen ved at stramme armen ved den ønskede skæredybde.

FORSIGTIG:

- Stram altid armen ordentligt, når skæredybden er indstillet.

Sigte (Fig. 2)

Anbring under skæring A-positionen på den forreste del af basen på linie med skærelinien på arbejdsstykket.

Anvendelse af start/stop-kontakt

FORSIGTIG:

- Inden maskinen sættes i forbindelse, skal det altid kontrolleres, at start/stop-kontakten aktiveres på korrekt vis og går tilbage til stilling "OFF", når den slippes.

For maskine med låseknop (Fig. 3)

Maskinen er udstyret med en låseknop, som forhindrer at start/stop-knappen utilsigtet trykkes ind.

For at starte maskinen, skal man trykke låseknappen ind og trykke start/stop-kontakten ind. Slip start/stop-knappen, når maskinen skal stoppes.

FORSIGTIG:

- Træk ikke kraftigt i start/stop-kontakten uden at trykke låseknappen ind. Dette kan forårsage brud på kontakten.

For maskine uden låseknop (Fig. 4)

For at starte maskinen, skal man ganske enkelt trykke på start/stop-kontakten. Slip start/stop-kontakten for at stoppe.

SAMLING

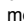
FORSIGTIG:

- Sørg altid for at maskinen er slukket, og netstikket er trukket ud, før der udføres noget arbejde på maskinen.

Montering og afmontering af savklingen

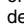
FORSIGTIG:

- Anvend kun den medfølgende Makita-nøgle til at montere og afmontere klingen. Forsømmelse af dette kan resultere i overstrømning eller utilstrækkelig strømning af sekskantbolten. Dette kan føre til, at operatøren komme alvorligt til skade.
- Rør ikke ved klingen med bare hænder umiddelbart efter skæringen. Den kan være overordentlig varm og kan give forbrændinger af huden. Tag et par handsker på, når du afmonterer en varm klinge.

For at afmontere klingen, skal man først trykke på og dreje den knap, som fastholder støvdækslet, i retningen med uret til -symbolet og derefter tage støvdækslet af. Tryk på skafllåsen, så klingen ikke kan rotere og løsn derefter sekskantbolten i retningen mod uret med sekskantnøglen. Tag derefter den udvendige flange og klingen af. (Fig. 5 og 6)

Klingen monteres ved at man går frem i den modsatte rækkefølge af den, der anvendes ved afmonteringen. Monter altid klingen således, at pilen på klingen peger i samme retning som pilen på klingehuset.

SØRG FOR AT SEKSANTBOLTEN ER ORDENTLIGT STRAMMET (Fig. 7)

Sæt støvdækslet på igen, når klingen er monteret. Skyd støvdækslet forsigtigt på, så åbningen på dets forende tilpasses klingehusets ribbe. Kontroller, at støvdækslet er ordentligt på plads, og tryk derefter på knappen og drej den i retningen mod uret mod -symbolet. (Fig. 8)

Rengøring af beskyttelseskærmen

Når klingen udskiftes, skal du også sørge for at rengøre den øverste og nederste beskyttelseskærm for ophobede metalspånere, som omtalt i afsnittet Vedligeholdelse. Sådanne tiltag erstatter ikke nødvendigheden af at den nederste beskyttelseskærms funktionsgang kontrolleres inden hver brug.

Parallelanslag (føringslineal) (tilbehør) (Fig. 9)

Det praktiske parallelanslag (føringslineal) gør det muligt at opnå særligt præcise, lige snit. Skyd ganske enkelt parallelanslaget op i tæt kontakt med siden på emnet, og fastgør derefter anslaget ved at stramme tilspændingskruen på forsiden af grundpladen. Anslaget gør det også nemt at lave gentagne savninger med samme bredde.

ANVENDELSE

FORSIGTIG:

- Maskinen må aldrig vrakkes eller tvinges i skærefugen. Dette kan bevirke, at motoren overbelastes og/eller være årsag til farligt tilbageslag, som kan resultere i, at operatøren kommer alvorligt til skade.

Hold godt fast i maskinen med begge hænder. Indstil basepladen på det arbejdsstykke, som skal skæres, uden at klingen kommer i kontakt. Tænd derefter for maskinen og vent, indtil klingen er kommet op på fuld hastighed. Flyt maskinen hen over arbejdsstykket, idet den holdes vandret og føres jævnt fremad, indtil skæringen er fuldført. Sørg for, at skærelinien er lige og fremføringshastigheden ensartet. (Fig. 10)

Kontrolruden i basen gør det nemt at kontrollere afstanden mellem forkanten af savklingen og arbejdsstykket, når klingen er indstillet til den største skæredybde. (Fig. 11)

BEMÆRK:

- Når der udføres et geringsnits etc., vil den nederste afskærmning ikke altid bevæge sig frit. Anvend i så tilfælde tilbagetrækningsarmen til at hæve den nederste afskærmning, så skæringen kan begynde, og frigør tilbagetrækningsarmen, så snart klingen går ind i materialet. (Fig. 12)

FORSIGTIG:

- Anvend ikke en deformeret eller revnet klinge. Skift den ud med en ny.
- Anbring ikke arbejdsstykker ovenpå hinanden, når de skæres.

- Skær ikke i hærdet stål, rustfrit stål, aluminium, træ, plastic, beton, teglsten etc. **Skær kun i blødt stål.**
- Rør ikke ved savklingen, arbejdsstykket eller skærespånerne med de bare hænder umiddelbart efter skæringen, da disse dele kan være meget varme og kan give forbrændinger.
- **Anvend altid savklinger med hårdmetalskær, som passer til arbejdet.** Anvendelse af forkerte savklinger kan resultere i en dårlig skæreydelse og/eller udgøre en risiko for tilskadecomst.

Bortskafning af spåner

⚠ FORSIGTIG:

- Sørg altid for, at maskinen er afbrudt og taget ud af forbindelse, inden støvdækslet afmonteres eller monteres.
- Støvdækslet kan blive varmt på grund af varme spåner. Rør ikke ved skærespånerne eller støvdækslet med de bare hænder.

Når skærespånerne kan ses gennem kontrolruden, skal de bortskaffes. (Fig. 13)

Tryk knappen ind og drej den i retningen med uret til symbolet ○ og tag støvdækslet af. Bortskaf de skærespåner, som har samlet sig indeni støvdækslet. (Fig. 14)

⚠ FORSIGTIG:

- Vend ikke maskinen på hovedet. Skærespånerne, som har samlet sig indeni støvdækslet, kan falde ud af støvdækslet.
- Håndtør støvdækslet med forsigtighed, så det ikke bliver deformeret eller tager skade.

VEDLIGEHOLDELSE

⚠ FORSIGTIG:

- Sørg altid for at maskinen er slukket og netstikket er trukket ud, før der udføres eftersyn eller vedligeholdelse.
- **Rengør den øverste og nederste beskyttelseskærm for at sikre Dem, at der ikke sidder ophobede metalspåner, som kan forhindre det nederste beskyttelsessystem i at fungere korrekt.** Et snavset beskyttelsessystem kan hindre korrekt funktion, hvilket kan medføre alvorlig personskade. **Hvis der anvendes komprimeret luft til at blæse metalspåner ud af beskyttelseskærmene, skal der bæres passende øjen- og åndedrætsbeskyttelse.**
- Anvend aldrig benzin, rensebenzin, fortynder, alkohol og lignende. Resultatet kan blive misfarvning, deformation eller revner.

Inspektion af savklingen

- Inspicer klingens grundigt for revner eller andre skader inden og efter hver brug. En revnet eller beskadiget klinge skal straks skiftes ud med en ny.
- Fortsat anvendelse af en sløv klinge kan resultere i farligt tilbageslag og/eller overbelastning af motoren. Skift klingens ud med en ny, så snart den ikke mere skærer effektivt.
- **Savklinger med hårdmetalskær til metalskæremaskiner kan ikke skærpes igen.**

Udskiftning af kul (Fig. 15 og 16)

Udtag og efterse kullene med regelmæssige mellemrum. Udskift kullene, når de er slidt ned til slidmarkeringen. Hold kullene rene og i stand til frit at glide ind i holderne. Begge kul skal udskiftes parvist samtidigt. Anvend kun identiske kulborster.

Benyt en skruetrækker til at afmontere kulholderdækslerne. Tag de slidte kul ud, isæt de nye og fastgør derefter kulholderdækslerne.

For at opretholde produktets SIKKERHED og PÅLIDELIGHED bør reparation, vedligeholdelse og justering kun udføres af et Makita Service Center med anvendelse af original Makita udskiftningsdele.

EKSTRAUDSTYR

⚠ FORSIGTIG:

- Det følgende tilbehør og ekstraudstyr er anbefalet til brug med Deres Makita maskine, der er beskrevet i denne brugsanvisning. Anvendelse af andet tilbehør eller ekstraudstyr kan udgøre en risiko for personskade. Anvend kun tilbehør og ekstraudstyr til det beskrevne formål.

Hvis De har behov for yderligere detaljer om dette tilbehør, bedes De kontakte Deres lokale Makita Service Center.

- Parallelslag (føringslineal)
- Anbefalede savklinger med hårdmetalskær & arbejdsstykke-dimensioner

BEMÆRK:

- Nogle ting på denne liste kan være inkluderet i værktøjspakken som standardtilbehør. Det kan være forskellige fra land til land.

Metalklinger med hårdmetalskær til mange forskellige anvendelser

	Anvendelser													
	METALPLADE		C-NAGLE		VINKELNAGLE		METALNAGLE		PLADEMETAL	RØR			KORRUGEREDE STÅLPLADER	
Størrelse (mm)	t=1,5	t=3,0	50x100 t=1,6	45x90 t=3,2	50x50 t=4	50x50 t=6	t=0,56 25Ga	t=1,6 16Ga	Ø20	50x100 t=3,2	Ø25 t=1,2	Ø60 t=3,8	t=0-0,9	t=1,0-2,0
185x36T	✗	○	✗	○	○	○	○	✗	○	○	△	○	✗	✗
185x38T	△	○	△	○	○	○	○	△	○	○	○	○	✗	✗
185x48T	○	○	○	○	△	○	○	○	△	○	○	△	✗	△
185x70T	○	△	✗	✗	✗	✗	△	✗	✗	✗	✗	✗	○	△

005705

○ Fortrinlig ○ God △ Nogenlunde ✗ Ikke anvendelig

⚠ FORSIGTIG:

- Anvend altid savklinger med hårdmetalskær, som passer til det pågældende arbejde. Lad være med at skære aluminium, træ, plastic, beton, teglsten etc.
- Savklinger med hårdmetalskær til skæring i metal må ikke skærpes igen.

ENG905-1

Lyd

Det typiske A-vægtede støjniveau bestemt i overensstemmelse med EN62841-2-5:

Lydtryksniveau (L_{pA}): 105 dB (A)

Lydeffektniveau (L_{WA}): 113 dB (A)

Usikkerhed (K): 3 dB (A)

ENG907-1

BEMÆRK:

- De(n) angivne støjemissionsværdi(er) er målt i overensstemmelse med en standardtestmetode og kan anvendes til at sammenligne en maskine med en anden.
- De(n) angivne støjemissionsværdi(er) kan også anvendes i en præliminær eksponeringsvurdering.

⚠ ADVARSEL:

- Bær høreværn.
- Støjemissionen under den faktiske anvendelse af maskinen kan være forskellig fra de(n) angivne værdi(er), afhængigt af den måde hvorpå maskinen anvendes, især den type arbejdsemne der behandles.
- Sørg for at identificere de sikkerhedsforskrifter til beskyttelse af operatøren, som er baseret på en vurdering af eksponering under de faktiske brugsforhold (med hensyntagen til alle dele i brugscyklussen, f.eks. de gange, hvor maskinen er slukket, og når den kører i tomgang i tilgift til afbrydertiden).

ENG900-1

Vibration

Vibrations totalværdi (tre-aksial vektorsum) bestemt i overensstemmelse med EN62841-2-5:

Arbejdsindstilling: skæring af metal

Vibrationsafgivelse ($a_{h, M}$): 2,5 m/s² eller mindre

Usikkerhed (K): 1,5 m/s²

BEMÆRK:

- De(n) angivne totalværdi(er) for vibration er målt i overensstemmelse med en standardtestmetode og kan anvendes til at sammenligne en maskine med en anden.
- De(n) angivne totalværdi(er) for vibration kan også anvendes i en præliminær eksponeringsvurdering.

⚠ ADVARSEL:

- Vibrationsemmissionen under den faktiske anvendelse af maskinen kan være forskellig fra de(n) angivne værdi(er), afhængigt af den måde hvorpå maskinen anvendes, især den type arbejdsemne der behandles.
- Sørg for at identificere de sikkerhedsforskrifter til beskyttelse af operatøren, som er baseret på en vurdering af eksponering under de faktiske brugsforhold (med hensyntagen til alle dele i brugscyklussen, f.eks. de gange, hvor maskinen er slukket, og når den kører i tomgang i tilgift til afbrydertiden).

OVERENSSTEMMELSESERKLÆRINGER

Kun for lande i Europa

Overensstemmelseserklæringerne er inkluderet i Bilag A i denne brugsanvisning.

Περιγραφή γενικής άποψης

1 Μοχλός	10 Μπουλόνι εξαγωνης κοίλης κεφαλής	16 Φραγή ξειλώματος (κανόνας οδηγός)
2 Οδηγός βάθους	11 Εξωτερική φλάντζα	17 Βίδα
3 Γραμμή κοπής	12 Λάμα πριονιού με άκρο καρβιδίου	18 Αντικείμενο εργασίας
4 Σκανδάλη διακοπής	13 Εσωτερική φλάντζα	19 Παράθυρο θέασης
5 Κουμπί κλειδώματος - OFF	14 Σχισμή	20 Μοχλός επαναφοράς
6 Κάλυμμα σκόνης	15 Προεξοχή	21 Σημάδι ορίου
7 Λαβή		22 Κατσαβίδι
8 Εξαγωνικό κλειδί		23 Καπάκι θήκης ψήκτρας
9 Ασφάλιση άξονα		

ΤΕΧΝΙΚΑ ΧΑΡΑΚΤΗΡΙΣΤΙΚΑ

GEB155-1

Μοντέλο	4131
Διάμετρος λάμας	185 χιλ
Μέγ. Ικανότητα κοπής	63 χιλ
Ταχύτητα χωρίς φορτίο (λεπ ⁻¹)	3.500
Ολικό μήκος	358 χιλ
Καθαρό βάρος	4,8 χγρ
Κατηγορία ασφάλειας	II/II

- Λόγω του συνεχιζόμενου προγράμματος έρευνας και ανάπτυξης, οι παρούσες προδιαγραφές υπόκεινται σε αλλαγή χωρίς προειδοποίηση.
- Τα τεχνικά χαρακτηριστικά μπορεί να διαφέρουν από χώρα σε χώρα.
- Βάρος σύμφωνα με διαδικασία EPTA 01/2014

ENE022-1

Προοριζόμενη χρήση

Το εργαλείο προορίζεται για κοπή μέτριου ατσαλιού.

ENF002-2

Ρευματοδότηση

Το εργαλείο πρέπει να συνδέεται μόνο σε ηλεκτρική παροχή της ίδιας τάσης με αυτήν που αναγράφεται στην πινακίδα ονομαστικών τιμών και μπορεί να λειτουργήσει μόνο με εναλλασσόμενο μονοφασικό ρεύμα. Τα εργαλεία αυτά έχουν διπλή μόνωση και κατά συνέπεια, μπορούν να συνδεθούν σε ακροδέκτες χωρίς σύρμα γείωσης.

GEA010-2

Γενικές προειδοποιήσεις ασφαλείας για το ηλεκτρικό εργαλείο

⚠️ ΠΡΟΕΙΔΟΠΟΙΗΣΗ: Διαβάστε όλες τις προειδοποιήσεις ασφαλείας, οδηγίες, εικονογραφίες και προδιαγραφές που παρέχονται με αυτό το ηλεκτρικό εργαλείο. Η μη τήρηση όλων των οδηγιών που αναγράφονται κατωτέρω μπορεί να καταλήξει σε ηλεκτροπληξία, πυρκαγιά ή/και σοβαρό τραυματισμό.

Φυλάξτε όλες τις προειδοποιήσεις και τις οδηγίες για μελλοντική παραπομπή.

Στις προειδοποιήσεις, ο όρος “ηλεκτρικό εργαλείο” αναφέρεται σε ηλεκτρικό εργαλείο που τροφοδοτείται από την κύρια παροχή ηλεκτρικού ρεύματος (με ηλεκτρικό καλώδιο) ή σε ηλεκτρικό εργαλείο που τροφοδοτείται από μπαταρία (χωρίς ηλεκτρικό καλώδιο).

ΠΡΟΕΙΔΟΠΟΙΗΣΕΙΣ ΓΙΑ ΤΗΝ ΑΣΦΑΛΕΙΑ ΤΟΥ ΚΟΠΤΗ ΜΕΤΑΛΛΩΝ

Διαδικασίες κοπής

1. **⚠️ ΚΙΝΔΥΝΟΣ:** Κρατάτε τα χέρια σας μακριά από την περιοχή κοπής και τη λάμα. Κρατάτε το άλλο σας χέρι πάνω στη βοηθητική λαβή, ή στο περιβλήμα μοτέρ. Αν κρατάτε το πριόνι και με τα δύο χέρια, δεν είναι δυνατό να κοπούν από τη λάμα.
2. **Μην απλώνετε τα χέρια σας κάτω από το τεμάχιο εργασίας.** Το προστατευτικό δεν σας παρέχει προστασία από τη λάμα κάτω από το τεμάχιο εργασίας.
3. **Ρυθμίστε το βάθος κοπής σύμφωνα με το πάχος του τεμαχίου εργασίας.** Λιγότερο από ένα ολόκληρο δόντι από τα δόντια της λάμας πρέπει να φαίνεται κάτω από το τεμάχιο εργασίας.
4. **Μην κρατάτε ποτέ το τεμάχιο εργασίας στα χέρια σας ή πάνω στο πόδι σας ενώ το κόβετε. Ασφαλίστε το τεμάχιο εργασίας σε μια σταθερή πλατφόρμα.** Είναι σημαντικό να στηρίζετε το τεμάχιο εργασίας κατάλληλα για να ελαχιστοποιήσετε την έκθεση του σώματός σας, την εμπλοκή της λάμας ή την απώλεια ελέγχου.
5. **Κρατάτε το ηλεκτρικό εργαλείο από τις μονωμένες επιφάνειες χειρολαβής όταν εκτελείτε μια εργασία κατά την οποία το κοπτικό εργαλείο μπορεί να έρθει σε επαφή με κρυμμένα καλώδια ή με το καλώδιό του.** Αν γίνει επαφή με κάποιο ηλεκτροφόρο καλώδιο, τα εκτεθειμένα μεταλλικά μέρη του ηλεκτρικού εργαλείου θα γίνουν και αυτά ηλεκτροφόρα και μπορεί να προκληθεί ηλεκτροπληξία στο χειριστή.
6. **Όταν τεμαχίζετε, να χρησιμοποιείτε πάντα οδηγό κομματιού ή άλλο οδηγό με ευθύγραμμη ακμή.** Αυτό βελτιώνει την ακρίβεια της κοπής και μειώνει την πιθανότητα εμπλοκής της λάμας.
7. **Να χρησιμοποιείτε πάντα λάμες με το σωστό μέγεθος και το σωστό σχήμα (σχήμα διαμαντιού έναντι στρουγγυλού σχήματος) όπως στερέωσης.** Οι λάμες που δεν ταιριάζουν με τον εξοπλισμό στερέωσης του πριονιού θα λειτουργούν έκκεντρα, προκαλώντας απώλεια ελέγχου.
8. **Μη χρησιμοποιείτε ποτέ στη λάμα ροδέλες ή μπουλόνια που είναι κατεστραμμένα ή λανθασμένου μεγέθους.** Οι ροδέλες και μπουλόνια λάμας έχουν σχεδιαστεί ειδικά για το πριόνι σας, για βέλτιστη απόδοση και ασφάλεια λειτουργίας.

Αιτίες κλοστήματος και σχετικές προειδοποιήσεις

- Το κλότσημα είναι μια ξαφνική αντίδραση όταν η λάμα πριονιού είναι αποκομμένη, μπλοκαρισμένη ή ευθυγραμμισμένη λανθασμένα, και προκαλεί την ανεξέλεγκτη ανύψωση του πριονιού έξω από το τεμάχιο εργασίας και προς τη μεριά του χειριστή.
- Όταν η λάμα είναι αποκομμένη ή μπλοκαρισμένη σφίχτά από την εγκοπή, αυτή κινητοποιείται και η αντίδραση του μοτέρ οδηγεί το εργαλείο με ταχύτητα προς τη μεριά του χειριστή.
- Αν η λάμα παραμορφωθεί ή ευθυγραμμιστεί λανθασμένα κατά την κοπή, τα δόντια στο πίσω μέρος της λάμας μπορεί να σκάσουν μέσα στην άνω επιφάνεια του τεμαχίου εργασίας και έτσι η λάμα να βγει από την εγκοπή και να αναπηδήσει προς τη μεριά του χειριστή.

Το κλότσημα προκαλείται όταν το πριόνι χρησιμοποιείται λανθασμένα ή/και όταν οι διαδικασίες ή οι συνθήκες λειτουργίας είναι λανθασμένες. Μπορεί να αποφευχθεί αν ληφθούν οι κατάλληλες προφυλάξεις που αναφέρονται παρακάτω.

- 1. Να κρατάτε το πριόνι γερά και με τα δύο χέρια και να τοποθετείτε τους βραχιόνες σας με τρόπο ώστε να αντιστέκονται στη δύναμη του κλοστήματος. Να τοποθετείτε το σώμα σας πλευρικά της λάμας, αλλά όχι στην ίδια ευθεία με τη λάμα.** Το κλότσημα μπορεί να προκαλέσει την αναπήδηση του πριονιού προς τα πίσω, αλλά ο χειριστής μπορεί να ελέγξει το κλότσημα αν λάβει τις κατάλληλες προφυλάξεις.
- 2. Όταν εμποδίζεται η κίνηση της λάμας ή όταν διακόπτεται η κοπή για οποιοδήποτε λόγο, αφήστε τη σκανδάλη και κρατήστε ακίνητο το πριόνι μέσα στο υλικό έως ότου ακινητοποιηθεί η λάμα. Μη δοκιμάσετε ποτέ να βγάλετε το πριόνι από το τεμάχιο εργασίας ούτε να το τραβήξετε προς τα πίσω όταν η λάμα κινείται, επειδή μπορεί να κλοστήσει.** Ελέγξτε και πάρτε διορθωτικά μέτρα για να εξαλείψετε την αιτία πιασίματος της λάμας.
- 3. Όταν ξεκινάτε ξανά την κοπή ενός τεμαχίου εργασίας, κεντράρετε τη λάμα πριονιού στην εγκοπή με τρόπο ώστε τα δόντια της λάμας να μην έχουν πιστεί μέσα στο υλικό.** Αν εμποδίζεται μια λάμα πριονιού, το εργαλείο μπορεί να αναπηδήσει από το τεμάχιο εργασίας ή να κλοστήσει όταν το θέσετε ξανά σε λειτουργία.
- 4. Πρέπει να στηρίξετε τις μεγάλες πλάκες για να ελαχιστοποιείτε τον κίνδυνο να πιστεί η λάμα, αλλά και να κλοστήσει.** Μεγάλα τεμάχια τείνουν να λυγίζουν κάτω από το βάρος τους. Πρέπει να τοποθετείτε στηρίγματα κάτω από τις πλάκες, και στις δύο πλευρές, κοντά στη γραμμή κοπής και κοντά στην άκρη της πλάκας.
- 5. Μη χρησιμοποιείτε λάμες αμβλυμένες ή με ζημιές.** Ατρόχιστες λάμες δημιουργούν στενή τομή προκαλώντας υπερβολική τριβή, πιάσιμο της λάμας και κλότσημα.

- 6. Οι μοχλοί ασφάλισης του βάθους λάμας και της ρύθμισης λοξοτομής πρέπει να είναι σφίχτοι και ασφαλισμένοι πριν από την κοπή.** Αν η ρύθμιση λάμας μετακινείται κατά την κοπή, μπορεί να προκληθεί πιάσιμο και κλότσημα.
- 7. Δώστε μεγάλη προσοχή όταν πριονίζετε σε υπάρχοντες τοίχους ή άλλες τυφλές περιοχές.** Αν η λάμα προεξέχει, μπορεί να κόψει αντικείμενα που θα προκαλέσουν κλότσημα.
- 8. Κρατήστε ΠΙΑΝΤΑ το εργαλείο σταθερά με τα δύο χέρια. Μην τοποθετείτε ΠΟΤΕ το χέρι, το πόδι ή οποιοδήποτε μέρος του σώματός σας κάτω από τη βάση του εργαλείου ή πίσω από το πριόνι, ειδικά όταν δημιουργείται εγκάρσιες κοπές.** Αν συμβεί κλότσημα, το πριόνι μπορεί εύκολα να πηδήξει προς τα πίσω πάνω από το χέρι σας, οδηγώντας σε σοβαρό προσωπικό τραυματισμό.
- 9. Ποτέ μην εξαναγκάσετε το πριόνι. Να σπρώχνετε το πριόνι προς τα μπροστά με τέτοια ταχύτητα ώστε η λάμα να κόβει χωρίς να επιβραδύνει.** Αν ζορίζετε το πριόνι μπορεί να προκληθούν ανομοιομορφες κοπές, απώλεια της ακρίβειας και πιθανώς κλότσημα.

Λειτουργία προστατευτικού

- 1. Ελέγξτε τον κάτω προφυλακτήρα για κατάλληλο κλείσιμο πριν από κάθε χρήση. Μη θέσετε σε λειτουργία το πριόνι αν ο κάτω προφυλακτήρας δεν κινείται ελεύθερα και δεν κλείνει αμέσως. Μη συγκρατείτε και μη δένετε ποτέ τον κάτω προφυλακτήρα στην ανοιχτή θέση.** Αν το πριόνι πέσει τυχαίως, ο κάτω προφυλακτήρας μπορεί να λυγίσει. Σηκώστε τον κάτω προφυλακτήρα με τη βοήθεια της ανασυρόμενης λαβής και βεβαιωθείτε ότι κινείται ελεύθερα και δεν ακουμπά τη λάμα ή κάποιο άλλο μέρος, σε όλες τις γωνίες και βάθη κοπής.
- 2. Ελέγξτε τη λειτουργία του ελατηρίου του κάτω προφυλακτήρα. Αν ο προφυλακτήρας και το ελατήριο δεν λειτουργούν κατάλληλα, πρέπει να συντηρηθούν πριν από τη χρήση.** Ο κάτω προφυλακτήρας μπορεί να λειτουργεί αργά λόγω τμημάτων με ζημιές, αποθέματα κόλλας ή συσσώρευσης απορριμμάτων.
- 3. Ο κάτω προφυλακτήρας μπορεί να αποσυρθεί χειροκίνητα μόνο για ειδικές κοπές όπως “κοπές βύθισης” και “σύνθετες κοπές”.** Σηκώστε τον κάτω προφυλακτήρα αποσύροντας τη λαβή και μόλις η λάμα εισέλθει στο υλικό, ο κάτω προφυλακτήρας πρέπει να ελευθερωθεί. Για όλα τα άλλα πριονίσματα, ο κάτω προφυλακτήρας πρέπει να λειτουργεί αυτόματα.
- 4. Να παρατηρείτε πάντα ότι ο κάτω προφυλακτήρας καλύπτει τη λάμα πριν τοποθετήσετε το πριόνι σε πάγκο ή στο πάτωμα.** Αν η λάμα δεν προστατεύεται και κινείται ελεύθερα, το πριόνι θα κινηθεί προς τα πίσω, κόβοντας ότι βρεθεί στο δρόμο του. Να είστε ενήμεροι για τον χρόνο που χρειάζεται για τη λάμα να σταματήσει αφού ο διακόπτης έχει απελευθερωθεί.

5. Για να ελέγξετε τον κάτω προφυλακτήρα, ανοίξτε τον κάτω προφυλακτήρα με το χέρι και, στη συνέχεια, αφήστε και παρακολουθήστε το κλεισμό του προφυλακτήρα. Επίσης, ελέγξτε να δείτε ότι η λαβή απόσυρσης δεν αγγίζει το περίβλημα του εργαλείου. Είναι ΠΟΛΥ ΕΠΙΚΙΝΔΥΝΟ να αφήνετε τη λάμα εκτεθειμένη και μπορεί να οδηγήσει σε σοβαρό προσωπικό τραυματισμό.

Πρόσθετες προειδοποιήσεις ασφάλειας

1. Μην σταματάτε τις λάμες με πλευρική πίεση στη λάμα πριονιού.
2. **ΚΙΝΔΥΝΟΣ:**
Μην επιχειρήσετε να αφαιρέσετε το κομμένο υλικό όταν η λάμα κινείται.
ΠΡΟΣΟΧΗ: Οι λάμες περιστρέφονται και μετά το σβήσιμο.
3. Τοποθετήστε το πλατύτερο τμήμα της βάσης του πριονιού σε εκείνο το τμήμα του τεμαχίου εργασίας που στηρίζεται σταθερά, και όχι στο τμήμα εκείνο που θα πέσει όταν θα γίνει η κοπή. Αν το τεμάχιο εργασίας είναι κοντό ή μικρό, συγκρατήστε το. **ΜΗ ΠΡΟΣΠΑΘΕΙΤΕ ΝΑ ΚΡΑΤΑΤΕ ΜΙΚΡΑ ΤΕΜΑΧΙΑ ΜΕ ΤΟ ΧΕΡΙ!**
4. Μην επιχειρήσετε ποτέ να πραγματοποιήσετε κοπή με το εργαλείο στερεωμένο ανάποδα σε μια μέγερνη. Αυτό είναι εξαιρετικά επικίνδυνο και μπορεί να οδηγήσει σε σοβαρά ατυχήματα.
5. Κατά τη διάρκεια της λειτουργίας, να φοράτε προστατευτικά γυαλιά και υαοσπίδες.
6. Μην χρησιμοποιείτε αποξεστικούς τροχούς.
7. Χρησιμοποιείτε μόνο τη λάμα πριονιού με τη διάμετρο που είναι επισήμασμένη στο εργαλείο ή που καθορίζεται στο εγχειρίδιο. Η χρήση μιας λάμας λανθασμένου μεγέθους μπορεί να επηρεάσει τη σωστή προστασία της λάμας ή τη λειτουργία του προστατευτικού, γεγονός που μπορεί να έχει ως αποτέλεσμα σοβαρό προσωπικό τραυματισμό.
8. Να χρησιμοποιείτε πάντα τη λάμα πριονιού που προορίζεται για την κοπή του υλικού που θα κόψετε.
9. Να χρησιμοποιείτε μόνο λάμες πριονιού που είναι επισήμασμένες με ταχύτητα ίση με ή υψηλότερη από την ταχύτητα που είναι επισήμασμένη στο εργαλείο.

ΦΥΛΑΞΕΤΕ ΑΥΤΕΣ ΤΙΣ ΟΔΗΓΙΕΣ.

⚠️ ΠΡΟΕΙΔΟΠΟΙΗΣΗ:

ΜΗΝ επιτρέψετε στην άνεση ή στην εξοικειώσή σας με το προϊόν (που αποκτήθηκε από επανειλημμένη χρήση) να αντικαταστήσει την αυστηρή τήρηση των κανόνων ασφαλείας του παρόντος εργαλείου. Η **ΛΑΝΘΑΣΜΕΝΗ ΧΡΗΣΗ** ή η αμέλεια να ακολουθήσετε τους κανόνες ασφαλείας που διατυπώνονται στο παρόν εγχειρίδιο οδηγίων μπορεί να προκαλέσει σοβαρό προσωπικό τραυματισμό.

ΠΕΡΙΓΡΑΦΗ ΛΕΙΤΟΥΡΓΙΑΣ

⚠️ ΠΡΟΣΟΧΗ:

• Πάντοτε βεβαιώνετε ότι το εργαλείο είναι σβηστό και αποσυνδεδεμένο από το ρεύμα πριν ρυθμίσετε ή ελέγξετε κάποια λειτουργία του εργαλείου.

Ρύθμιση του βάθους κοπής (Εικ. 1)

Χαλαρώστε τον μοχλό στον οδηγό βάθους και μετακινήστε την βάση επάνω ή κάτω. Στο επιθυμητό βάθος κοπής, ασφαλίστε την βάση σφίγγοντας τον μοχλό.

⚠️ ΠΡΟΣΟΧΗ:

• Αφού ρυθμίσετε το βάθος κοπής, πάντοτε σφίγγετε τον μοχλό με ασφάλεια.

Σκόπηση (Εικ. 2)

Όταν κόβετε, ευθυγραμμίστε την θέση Α στο εμπρόσθιο μέρος της βάσης με την γραμμή κοπής σας στο αντικείμενο εργασίας.

Δράση διακόπτη

⚠️ ΠΡΟΣΟΧΗ:

• Πριν συνδέσετε στο ρεύμα το εργαλείο, πάντοτε ελέγχετε να δείτε ότι η σκανδάλη διακόπτης ενεργοποιείται κανονικά και επιστρέφει στη θέση "OFF" όταν ελευθερώνεται.

Για εργαλείο με κουμπί κλειδώματος-OFF (Εικ. 3)

Για να προληφθεί το τυχαίο τράβηγμα της σκανδάλης διακόπτη, ένα κουμπί κλειδώματος - OFF έχει προβλεφθεί.

Για να ξεκινήσει το εργαλείο, πιέστε το κουμπί κλειδώματος-OFF και τραβήχτε την σκανδάλη διακόπτη. Ελευθερώστε την σκανδάλη διακόπτη για να σταματήσει.

⚠️ ΠΡΟΣΟΧΗ:

• Μην τραβήξετε τη σκανδάλη διακόπτης δυνατά χωρίς να πατήσετε το κουμπί ασφάλισης. Μπορεί να σπάσει ο διακόπτης.

Για εργαλείο χωρίς κουμπί κλειδώματος-OFF (Εικ. 4)

Για να ξεκινήσετε το εργαλείο, απλά τραβήξτε τη σκανδάλη διακόπτη. Ελευθερώστε τη σκανδάλη διακόπτη για να σταματήσει.

ΣΥΝΑΡΜΟΛΟΓΗΣΗ


⚠️ ΠΡΟΣΟΧΗ:

• Πάντοτε βεβαιώνετε ότι το εργαλείο είναι σβηστό και αποσυνδεδεμένο πριν εκτελέσετε οποιαδήποτε εργασία στο εργαλείο.

Τοποθέτηση ή αφαίρεση της λάμας πριονιού

⚠️ ΠΡΟΣΟΧΗ:

- Χρησιμοποιείτε μόνο το παρεχόμενο κλειδί Makita για τοποθέτηση ή αφαίρεση της λάμας. Αμέλεια να το κάνετε μπορεί να έχει ως αποτέλεσμα υπερβολικό ή ανεπαρκές σφίξιμο του εξάγωνου μπουλονιού. Αυτό θα μπορούσε να προκαλέσει σοβαρό τραυματισμό στον χειριστή.
- Μην αγγίζετε την λάμα με γυμνό χέρι αμέσως μετά την κοπή, μπορεί να είναι εξαιρετικά θερμή και να σας προκαλέσει εγκαύματα. Φοράτε γάντια όταν αφαιρείτε μία θερμή λάμα.

Για να αφαιρέσετε την λάμα, πρώτα σπρώχτε και γυρίστε τη λαβή που ασφαρίζει το κάλυμμα σκόνης δεξιόστροφα στο σύμβολο  και αφαιρέστε το κάλυμμα σκόνης. Πατείστε την ασφάλεια αξονα έτσι ώστε η λάμα να μη μπορεί να περιστραφεί και χρησιμοποιήστε το εξάγωνο κλειδί για να χαλαρώσετε το εξάγωνο μπουλόνι αριστερόστροφα. Μετά αφαιρέστε την εξωτερική φλάντζα και λάμα. (Εικ. 5 και 6)

Για να τοποθετήσετε την λάμα, ακολουθείστε την διαδικασία αφαίρεσης αντίστροφα. Πάντοτε τοποθετείτε την λάμα έτσι ώστε το βέλος επάνω στην λάμα να δείχνει στην ίδια διεύθυνση με το βέλος επάνω στη θήκη της λάμας.
ΒΕΒΑΙΩΝΕΣΤΕ ΟΤΙ ΣΦΙΓΓΕΤΕ ΤΟ ΕΞΑΓΩΝΟ ΜΠΟΥΛΟΝΙ ΜΕ ΑΣΦΑΛΕΙΑ. (Εικ. 7)
Μετά την τοποθέτηση της λάμας, επανατοποθετείστε το κάλυμμα σκόνης. Σύρτε προσεκτικά το κάλυμμα σκόνης έτσι ώστε η σχισμή του εμπρόσθιου μέρους να εφαρμόζει στην προεξοχή της θήκης λάμας. Βεβαιωθείτε ότι το κάλυμμα σκόνης έχει εφαρμόσει σωστά μετά σπρώχτε και γυρίστε την λαβή αριστερόστροφα στο σύμβολο ●. (Εικ. 8)

Καθαρισμός προφυλακτήρα λάμας

Όταν αλλάζετε τη λάμα, φροντίστε να καθαρίσετε επίσης τον άνω και κάτω προφυλακτήρα λάμας από τα συσσωρευμένα μεταλλικά αποκοπίδια όπως συζητήθηκε στην παράγραφο "Συντήρηση". Αυτές οι ενέργειες δεν αντικαθιστούν την ανάγκη ελέγχου της λειτουργίας του κάτω προφυλακτήρα πριν από κάθε χρήση.

Φραγή ξειλώματος (κανόνας οδηγός) (Εξάρτημα) (Εικ. 9)

Η εύχρηστη φραγή ξειλώματος (κανόνας οδηγός) σας επιτρέπει να πραγματοποιήσετε ίσιες κοπές εξαιρετικής ακριβείας. Απλά ολισθήστε την φραγή ξειλώματος μαλακά έναντι της πλευράς του κομματιού εργασίας και ασφαλίστε την στην θέση της με την βίδα του σφιχτήρα στο μπροστινό μέρος της βάσης. Επίσης είναι δυνατόν να κάνετε επαναλαμβανόμενες κοπές ομοιομόρφου βάθους.

ΛΕΙΤΟΥΡΓΙΑ

⚠️ ΠΡΟΣΟΧΗ:

- Ποτέ μη στρίψετε ή εξαναγκάσετε το εργαλείο κατά την κοπή. Αυτό μπορεί να προκαλέσει υπερφόρτωση και/ή επικίνδυνο οπισθολάκτισμα, με αποτέλεσμα σοβαρό τραυματισμό του χειριστή.

Κρατάτε το εργαλείο σταθερά και με τα δύο χέρια. Ρυθμίστε την πλάκα βάσης στο αντικείμενο εργασίας που πρόκειται να κοπεί χωρίς η λάμα να κάνει καμμία επαφή. Μετά ανάψτε το εργαλείο και περιμένετε μέχρι η λάμα να αποκτήσει πλήρη ταχύτητα. Κινείστε το εργαλείο προς τα εμπρός επάνω στην επιφάνεια του αντικειμένου εργασίας, κρατώντας το επίπεδο και προχωρώντας απαλά μέχρι να ολοκληρωθεί η κοπή. Διατηρείτε την γραμμή κοπής ευθεία και την ταχύτητα προώθησης ομοιόμορφη. (Εικ. 10)

Το παράθυρο θέασης στη βάση διευκολύνει τον έλεγχο της απόστασης μεταξύ της εμπρόσθιας άκρης της λάμας πριονιού και του αντικειμένου εργασίας όταν η λάμα είναι ρυθμισμένη στο μέγιστο βάθος κοπής. (Εικ. 11)

ΣΗΜΕΙΩΣΗ:

- Όταν κάνετε λοξές κοπές κλπ., μερικές φορές το κάτω προστατευτικό δεν μετακινείται εύκολα. Στην περίπτωση αυτή, χρησιμοποιήστε τον μοχλό επαναφοράς για να σηκώσετε το κάτω προστατευτικό για να αρχίσετε την κοπή και μόλις η λάμα κάνει επαφή με το υλικό, ελευθερώστε τον μοχλό επαναφοράς. (Εικ. 12)

⚠️ ΠΡΟΣΟΧΗ:

- Μη χρησιμοποιείτε μιά λάμα που είναι παραμορφωμένη ή έχει ρωγμές. Αντικαταστήστε την με μιά νέα.
- Μη βάζετε τα υλικά το ένα πάνω στο άλλο όταν τα κόβετε.
- Μη κόβετε σκληρό ατσάλι, ανοξείδωτο ατσάλι, αλουμίνιο, ξύλο, πλαστικό, σκυρόδεμα, κεραμικά, κλπ. **Κόβετε μόνο μαλακό ατσάλι.**
- Μην αγγίζετε την λάμα πριονιού, το αντικείμενο εργασίας ή τα κομμένα τεμαχίδια με γυμνό χέρι αμέσως μετά την κοπή, μπορεί να είναι εξαιρετικά θερμά και να σας προκαλέσουν εγκαύματα.
- **Πάντοτε χρησιμοποιείτε τις λάμες με άκρα καρβιδίου που είναι κατάλληλες για την εργασία σας.** Η χρήση ακατάλληλων λαμών μπορεί να έχει ως αποτέλεσμα κακή απόδοση κοπής και/ή να παρουσιάσει κίνδυνο προσωπικού τραυματισμού.

Απόρριψη τεμαχιδίων

⚠️ ΠΡΟΣΟΧΗ:

- Πάντοτε βεβαιώνετε ότι το εργαλείο είναι σβηστό και αποσυνδεδεμένο πριν αφαιρέσετε ή τοποθετήσετε το κάλυμμα σκόνης.
- Το κάλυμμα σκόνης μπορεί να θερμανθεί λόγω των θερμών τεμαχιδίων. Μην αγγίζετε τα κομμένα τεμαχίδια ή το κάλυμμα σκόνης με γυμνά χέρια.

Όταν τα κομμένα τεμαχίδια είναι ορατά μέσω του παραθύρου θέασης, φροντίστε για την απόρριψή τους. (Εικ. 13)

Σπρώχτε και γυρίστε την λαβή δεξιόστροφα στο σύμβολο ○ και αφαιρέστε το κάλυμμα σκόνης. Απορρίψτε τα κομμένα τεμαχίδια που έχουν συσσωρευτεί μέσα στο κάλυμμα σκόνης. (Εικ. 14)

⚠️ ΠΡΟΣΟΧΗ:

- Μη γυρίζετε το εργαλείο ανάποδα. Τα κομμένα τεμαχίδια που έχουν συσσωρευθεί μέσα στο κάλυμμα σκόνης μπορεί να πέσουν έξω από το κάλυμμα σκόνης.
- Χειρίζεστε το κάλυμμα σκόνης προσεκτικά έτσι ώστε να μη παραμορφωθεί ή πάθει ζημιά.

ΣΥΝΤΗΡΗΣΗ

⚠️ ΠΡΟΣΟΧΗ:

- Πάντοτε βεβαιώνετε ότι το εργαλείο είναι σβηστό και αποσυνδεδεμένο πριν επιχειρήσετε να εκτελέσετε επιθεώρηση ή συντήρηση.
- **Καθαρίστε τον άνω και κάτω προφυλακτήρα για να βεβαιωθείτε ότι δεν υπάρχουν συσσωρευμένα μεταλλικά αποκοπίδια, τα οποία μπορεί να εμποδίσουν τη λειτουργία του κάτω συστήματος προστασίας.** Ένα βρόμικο σύστημα προστασίας μπορεί να περιορίσει τη σωστή λειτουργία, γεγονός που μπορεί να έχει ως αποτέλεσμα σοβαρό προσωπικό τραυματισμό. **Όταν χρησιμοποιείτε πεπιεσμένο αέρα για να φυσήξετε τα μεταλλικά αποκοπίδια εκτός των προφυλακτάρων, να φοράτε κατάλληλη προστασία για τα μάτια και το αναπνευστικό σύστημα.**
- Μην χρησιμοποιείτε ποτέ βενζίνη, πετρελαϊκό αιθέρα, διαλυτικό, αλκοόλη ή παρόμοιες ουσίες. Ενδέχεται να προκληθεί αποχρωματισμός παραμόρφωση ή ρωγμές.

Επιθεώρηση της λάμας πριονιού

- Ελέγξτε την λάμα προσεκτικά για ρωγμές ή ζημιές πριν και μετά από κάθε χρήση. Αντικαταστήστε αμέσως μία λάμα που έχει ρωγμές ή ζημιές.
- Η συνέχιση της χρήσης μιάς αμβλυμένης λάμας μπορεί να έχει ως αποτέλεσμα επικίνδυνο οπισθολάκτισμα και/ή υπερφόρτιση του κινητήρα. Αντικαταστήστε με μία καινούργια λάμα αμέσως μόλις σταματήσει να κόβει αποτελεσματικά.
- **Λάμες πριονιού με καρβιδικά άκρα για κόπτες μετάλλων δεν μπορούν να επανατροχιστούν.**

Αντικατάσταση ψηκτρών άνθρακα (Εικ. 15 και 16)

Αφαιρείτε και ελέγχετε τις ψήκτρες άνθρακα τακτικά. Αντικαθιστάτε τις όταν φθαρούν μέχρι το σημάδι ορίου. Κρατάτε τις ψήκτρες άνθρακα καθαρές και ελεύθερες να γλιστρούν στις θήκες. Και οι δύο ψήκτρες άνθρακα πρέπει να αντικαθίστανται ταυτόχρονα. Χρησιμοποιείτε μόνο ταυτόσημες ψήκτρες άνθρακα.

Χρησιμοποιείτε ένα κατασβίδι για να αφαιρέσετε τα καπάκια των θηκών των ψηκτρών. Αφαιρέστε τις φθαρμένες ψήκτρες, βάλτε τις νέες και ασφαλίστε τα καπάκια των θηκών των ψηκτρών.

Για την διατήρηση της ΑΣΦΑΛΕΙΑΣ και ΑΞΙΟΠΙΣΤΙΑΣ του προϊόντος, επισκευές, οποιαδήποτε άλλη συντήρηση ή ρύθμιση πρέπει να εκτελούνται από τα Εξουσιοδοτημένα Κέντρα Εξυπηρέτησης της Makita, με χρήση πάντοτε ανταλλακτικών Makita.

ΠΡΟΑΙΡΕΤΙΚΑ ΕΞΑΡΤΗΜΑΤΑ

⚠ ΠΡΟΣΟΧΗ:

- Αυτά τα εξαρτήματα ή προσαρτήματα συνιστώνται για χρήση με το εργαλείο Makita που περιγράφηκε στις οδηγίες αυτές. Η χρήση οτιδήποτε άλλων εξαρτημάτων ή προσαρτημάτων μπορεί να προκαλέσει κίνδυνο τραυματισμού σε άτομα. Χρησιμοποιείτε τα εξαρτήματα ή προσαρτήματα μόνο για την χρήση που προορίζονται.

Εάν χρειάζεστε οποιαδήποτε βοήθεια για περισσότερες πληροφορίες σε σχέση με αυτά τα εξαρτήματα, απαντήστε στο τοπικό σας κέντρο εξυπηρέτησης Makita.

- Φραγή ξειλώματος (κανόνας οδηγός)
- Συνιστώμενες λάμες με άκρες καρβιδίου & κατηγορίες αντικειμένων εργασίας

ΠΑΡΑΤΗΡΗΣΗ:

- Μερικά στοιχεία στη λίστα μπορεί να συμπεριλαμβάνονται στη συσκευασία εργαλείου ως στάνταρ εξαρτήματα. Μπορεί να διαφέρουν ανάλογα με τη χώρα.

Μεταλλικές λάμες με άκρο καρβιδίου για πολλές εφαρμογές

	Εφαρμογ													
	ΜΕΤΑΛΛΙΚΟ ΦΥΛΛΟ		ΓΟΜΦΟΣ C		ΓΟΜΦΟΣ ΓΩΝΙΑΣ		ΜΕΤΑΛΛΙΚΟΣ ΓΟΜΦΟΣ		ΕΝΙΣΧΥΜ ΝΗ ΔΟΚ	ΣΩΛΗΝΑΣ			ΚΥΜΑΤΟΕΙΔΕΣ ΦΥΛΛΟ	
Μέγεθος (υλ)	t=1,5	t=3,0	50x100 t=1,6	45x90 t=3,2	50x50 t=4	50x50 t=6	t=0,56 25Ga	t=1,6 16Ga	∅20	50x100 t=3,2	∅25 t=1,2	∅60 t=3,8	t=0-0,9	t=1,0-2,0
185x36T	×	⊙	×	⊙	⊙	⊙	⊙	×	⊙	⊙	△	⊙	×	×
185x38T	△	○	△	○	○	⊙	⊙	△	○	○	⊙	○	×	×
185x48T	○	○	○	○	△	○	⊙	⊙	△	○	⊙	△	×	△
185x70T	⊙	△	×	×	×	×	△	×	×	×	×	×	⊙	△

005705

⊙ Εξαιρετικά ○ Καλά △ Μέτρια × Μη εφαρμόσιμο

⚠ ΠΡΟΣΟΧΗ:

- Πάντοτε χρησιμοποιείτε λάμες πριονιού με άκρα καρβιδίου κατάλληλες για την εργασία σας. Μη κόβετε αλουμίνιο, ξύλο, πλαστικά, σκυρόδεμα, κεραμικά, κλπ.
- Λάμες πριονιού με άκρα καρβιδίου για πριόνι κοπής μετάλλων δεν είναι δυνατόν να επανατροχιστούν.

Θόρυβος

Το τυπικό Α επίπεδο μετρημένου θορύβου καθορίζεται σύμφωνα με το EN62841-2-5:
 Στάθμη πίεσης ήχου (L_{PA}): 105 dB (A)
 Στάθμη δύναμης ήχου (L_{WA}): 113 dB (A)
 Αβεβαιότητα (K): 3 dB (A)

ENG905-1

ΠΑΡΑΤΗΡΗΣΗ:

- Η δηλωμένη τιμή(ές) εκπομπής θορύβου έχει μετρηθεί σύμφωνα με την πρότυπη μέθοδο δοκιμής και μπορεί να χρησιμοποιηθεί για τη σύγκριση ενός εργαλείου με κάποιο άλλο.
- Η δηλωμένη τιμή(ές) εκπομπής θορύβου μπορεί να χρησιμοποιηθεί και στην προκαταρκτική αξιολόγηση της έκθεσης.

⚠ ΠΡΟΕΙΔΟΠΟΙΗΣΗ:

- Να φοράτε ωτοασπίδες.
- Η εκπομπή θορύβου κατά τη χρήση του ηλεκτρικού εργαλείου σε πραγματικές συνθήκες μπορεί να διαφέρει από τη δηλωμένη τιμή(ές) ανάλογα με τους τρόπους χρήσης του εργαλείου, ιδιαίτερα το είδος του τεμαχίου εργασίας που υπόκειται επεξεργασία.
- Φροντίστε να λάβετε τα κατάλληλα μέτρα προστασίας του χειριστή βάσει ενός υπολογισμού της έκθεσης σε πραγματικές συνθήκες χρήσης (λαμβάνοντας υπόψη όλες τις συνιστώσες του κύκλου λειτουργίας όπως τους χρόνους που το εργαλείο είναι εκτός λειτουργίας και όταν βρίσκεται σε αδρανή λειτουργία πέραν του χρόνου ενεργοποίησης).

ENG900-1

Κραδασμός

Η ολική τιμή δόνησης (άθροισμα τρι-αξονικού διανύσματος) καθορίζεται σύμφωνα με το EN62841-2-5:

Είδος εργασίας: κοπή μετάλλου
 Εκπομπή δόνησης ($a_{h, M}$): 2,5 m/s² ή λιγότερο
 Αβεβαιότητα (K): 1,5 m/s²

ΠΑΡΑΤΗΡΗΣΗ:

- Η δηλωμένη τιμή(ές) συνολικών κραδασμών έχει μετρηθεί σύμφωνα με την πρότυπη μέθοδο δοκιμής και μπορεί να χρησιμοποιηθεί για τη σύγκριση ενός εργαλείου με κάποιο άλλο.
- Η δηλωμένη τιμή(ές) συνολικών κραδασμών μπορεί να χρησιμοποιηθεί και στην προκαταρκτική αξιολόγηση της έκθεσης.

⚠ ΠΡΟΕΙΔΟΠΟΙΗΣΗ:

- Η εκπομπή κραδασμών κατά τη χρήση του ηλεκτρικού εργαλείου σε πραγματικές συνθήκες μπορεί να διαφέρει από τη δηλωμένη τιμή(ές) εκπομπής ανάλογα με τους τρόπους χρήσης του εργαλείου, ιδιαίτερα το είδος του τεμαχίου εργασίας που υπόκειται επεξεργασία.
- Φροντίστε να λάβετε τα κατάλληλα μέτρα προστασίας του χειριστή βάσει ενός υπολογισμού της έκθεσης σε πραγματικές συνθήκες χρήσης (λαμβάνοντας υπόψη όλες τις συνιστώσες του κύκλου λειτουργίας όπως τους χρόνους που το εργαλείο είναι εκτός λειτουργίας και όταν βρίσκεται σε αδρανή λειτουργία πέραν του χρόνου ενεργοποίησης).

ΔΗΛΩΣΗ ΣΥΜΜΟΡΦΩΣΗΣ

Για τις ευρωπαϊκές χώρες μόνο

Οι Δηλώσεις Συμμόρφωσης περιλαμβάνονται στο Παράρτημα Α στο παρόν εγχειρίδιο οδηγιών.

Makita Europe N.V.

Jan-Baptist Vinkstraat 2, 3070 Kortenberg, Belgium

Makita Corporation

3-11-8, Sumiyoshi-cho, Anjo, Aichi 446-8502 Japan

www.makita.com



884543L995

IDE