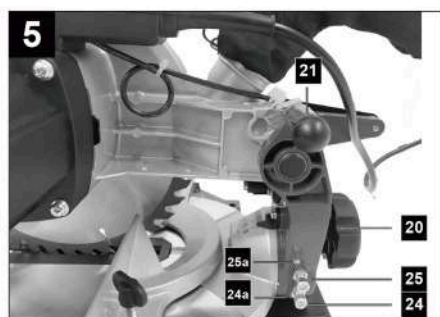
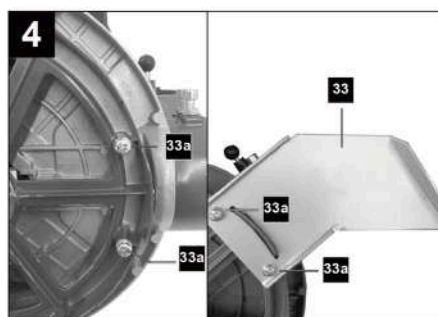
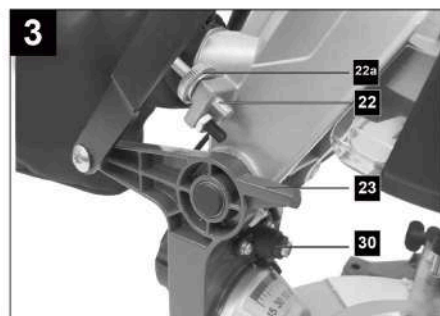
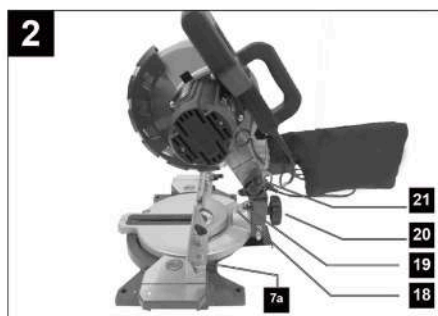
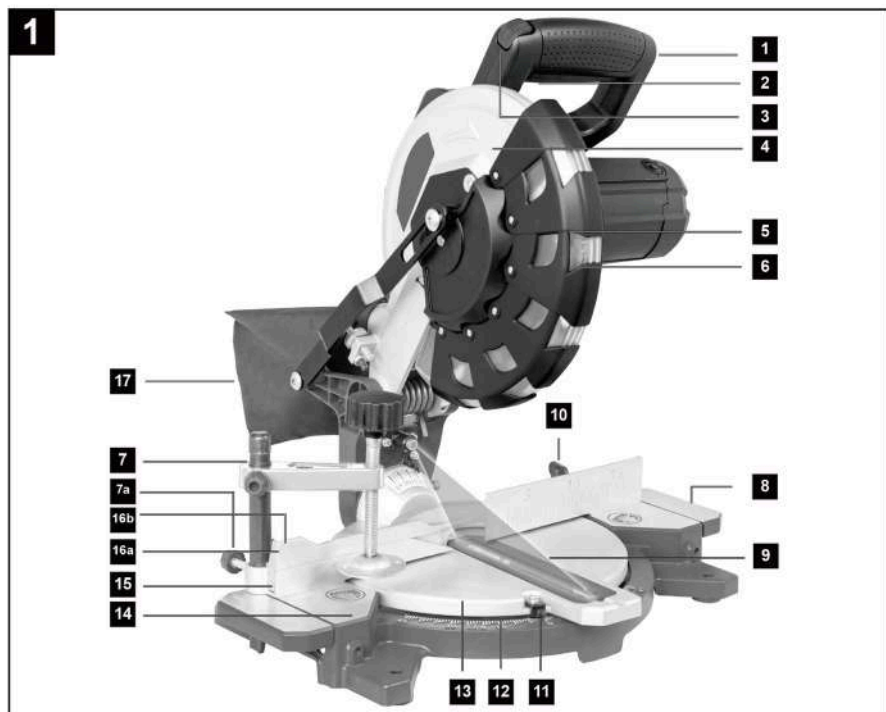


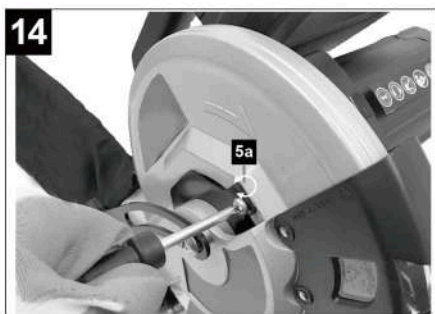
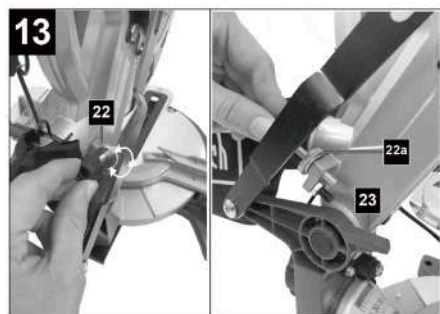
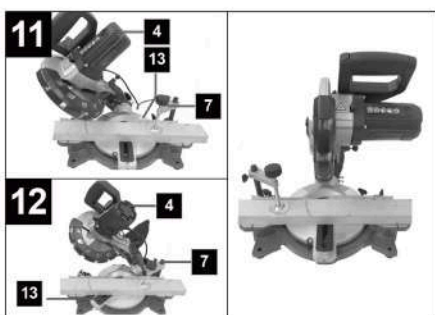
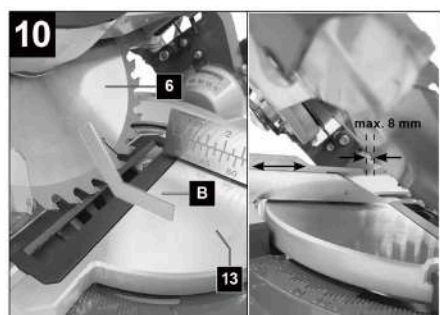
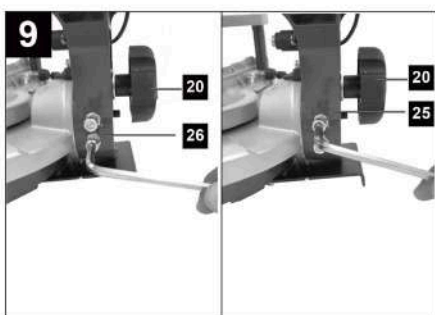
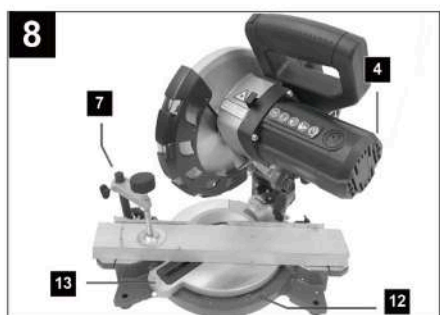
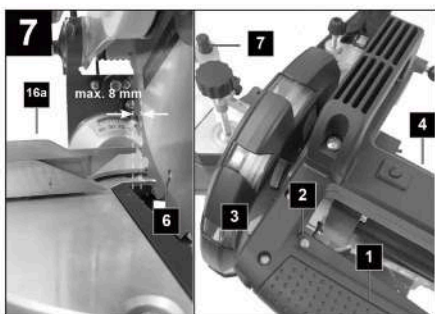
MITER SAW

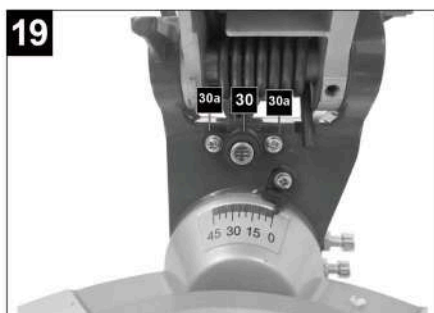
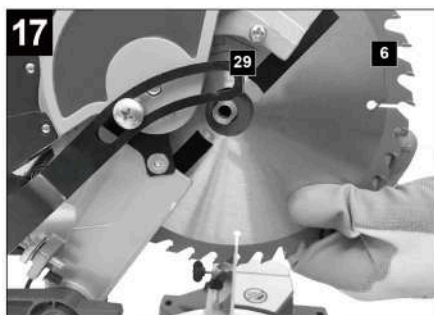
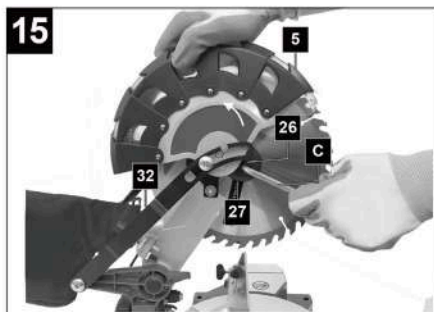
**Powerful
Efficient**

Please read the instruction manual carefully before use!
Пожалуйста, внимательно прочтите инструкцию перед использованием!









English

Safety notes

General power tool safety warnings



WARNING Read all safety warnings and all instructions. Failure to follow the warnings and instructions may result in electric shock, fire and/or serious injury.

Save all warnings and instructions for future reference.

The term "power tool" in the warnings refers to your mains-operated (corded) power tool or battery operated (cordless) power tool.

Work area safety

- ▶ **Keep work area clean and well lit.** Cluttered or dark areas invite accidents.
- ▶ **Do not operate power tools in explosive atmospheres, such as in the presence of flammable liquids, gases or dust.** Power tools create sparks which may ignite the dust or fumes.
- ▶ **Keep children and bystanders away while operating a power tool.** Distractions can cause you to lose control.

Electrical safety

- ▶ **Power tool plugs must match the outlet. Never modify the plug in any way. Do not use any adapter plugs with earthed (grounded) power tools.** Unmodified plugs and matching outlets will reduce risk of electric shock.
- ▶ **Avoid body contact with earthed or grounded surfaces, such as pipes, radiators, ranges and refrigerators.** There is an increased risk of electric shock if your body is earthed or grounded.
- ▶ **Do not expose power tools to rain or wet conditions.** Water entering a power tool will increase the risk of electric shock.
- ▶ **Do not abuse the cord. Never use the cord for carrying, pulling or unplugging the power tool.** Keep cord away from heat, oil, sharp edges or moving parts. Damaged or entangled cords increase the risk of electric shock.
- ▶ **When operating a power tool outdoors, use an extension cord suitable for outdoor use.** Use of a cord suitable for outdoor use reduces the risk of electric shock.
- ▶ **If operating a power tool in a damp location is unavoidable, use a residual current device (RCD) protected supply.** Use of an RCD reduces the risk of electric shock.

Personal safety

- ▶ **Stay alert, watch what you are doing and use common sense when operating a power tool.** Do not use a power tool while you are tired or under the influence of drugs, alcohol or medication. A moment of inattention while operating power tools may result in serious personal injury.
 - ▶ **Use personal protective equipment. Always wear eye protection.** Protective equipment such as dust mask, non-skid safety shoes, hard hat, or hearing protection used for appropriate conditions will reduce personal injuries.
 - ▶ **Prevent unintentional starting. Ensure the switch is in the off-position before connecting to power source and/or battery pack, picking up or carrying the tool.** Carrying power tools with your finger on the switch or energizing power tools that have the switch on invites accidents.
 - ▶ **Remove any adjusting key or wrench before turning the power tool on.** A wrench or a key left attached to a rotating part of the power tool may result in personal injury.
 - ▶ **Do not overreach. Keep proper footing and balance at all times.** This enables better control of the power tool in unexpected situations.
 - ▶ **Dress properly. Do not wear loose clothing or jewellery.** Keep your hair, clothing and gloves away from moving parts. Loose clothes, jewellery or long hair can be caught in moving parts.
 - ▶ **If devices are provided for the connection of dust extraction and collection facilities, ensure these are connected and properly used.** Use of dust collection can reduce dust-related hazards.
 - ▶ **Do not let familiarity gained from frequent use of tools allow you to become complacent and ignore tool safety principles.** A careless action can cause severe injury within a fraction of a second.
- #### Power tool use and care
- ▶ **Do not force the power tool. Use the correct power tool for your application.** The correct power tool will do the job better and safer at the rate for which it was designed.
 - ▶ **Do not use the power tool if the switch does not turn it on and off.** Any power tool that cannot be controlled with the switch is dangerous and must be repaired.

- ▶ **Disconnect the plug from the power source and/or the battery pack from the power tool before making any adjustments, changing accessories, or storing power tools.** Such preventive safety measures reduce the risk of starting the power tool accidentally.
- ▶ **Store idle power tools out of the reach of children and do not allow persons unfamiliar with the power tool or these instructions to operate the power tool.** Power tools are dangerous in the hands of untrained users.
- ▶ **Maintain power tools. Check for misalignment or binding of moving parts, breakage of parts and any other condition that may affect the power tool's operation.** If damaged, have the power tool repaired before use. Many accidents are caused by poorly maintained power tools.
- ▶ **Keep cutting tools sharp and clean.** Properly maintained cutting tools with sharp cutting edges are less likely to bind and are easier to control.
- ▶ **Use the power tool, accessories and tool bits, etc. in accordance with these instructions, taking into account the working conditions and the work to be performed.** Use of the power tool for operations different from those intended could result in a hazardous situation.
- ▶ **Keep handles and grasping surfaces dry, clean and free from oil and grease.** Slippery handles and grasping surfaces do not allow for safe handling and control of the tool in unexpected situations.

Safety instructions for mitre saws

- ▶ **Miter saws are intended to cut wood or wood-like products, they cannot be used with abrasive cut-off wheels for cutting ferrous material such as bars, rods, studs, etc.** Abrasive dust causes moving parts such as the lower guard to jam. Sparks from abrasive cutting will burn the lower guard, the kerf insert and other plastic parts.
- ▶ **Use clamps to support the workpiece whenever possible. If supporting the workpiece by hand, you must always keep your hand at least 100 mm from either side of the saw blade. Do not use this saw to cut pieces that are too small to be securely clamped or held by hand.** If your hand is placed too close to the saw blade, there is an increased risk of injury

from blade contact.

- ▶ **The workpiece must be stationary and clamped or held against both the fence and the table. Do not feed the workpiece into the blade or cut "freehand" in any way.** Unrestrained or moving workpieces could be thrown at high speeds, causing injury.
- ▶ **Push the saw blade through the workpiece to be cut. Do not pull the saw blade towards you through the workpiece. To make a cut, lift the saw handle, pull over the workpiece without cutting, start the engine, push the saw handle downwards and push the saw blade through the workpiece.** Pulling cutting will likely cause the saw blade to sit on the workpiece and be thrown sharply towards the operator.
- ▶ **Never cross your hand over the intended line of cutting either in front or behind the saw blade.** Supporting the workpiece "cross-handed" i.e. holding the workpiece to the right of the saw blade with your left hand or vice versa is very dangerous.
- ▶ **Do not reach behind the fence with either hand closer than 100 mm from either side of the saw blade, to remove wood scraps, or for any other reason while the blade is spinning.** The proximity of the spinning saw blade to your hand may not be obvious and you may be seriously injured.
- ▶ **Inspect your workpiece before cutting. If the workpiece is bowed or warped, clamp it with the outside bowed face toward the fence. Always make certain that there is no gap between the workpiece, fence and table along the line of the cut.** Bent or warped workpieces can twist or shift and may cause binding on the spinning saw blade while cutting. There should be no nails or foreign objects in the workpiece.
- ▶ **Do not use the saw until the table is clear of all tools, wood scraps, etc., except for the workpiece.** Small debris or loose pieces of wood or other objects that contact the revolving blade can be thrown with high speed.
- ▶ **Cut only one workpiece at a time.** Stacked multiple workpieces cannot be adequately clamped or braced and may bind on the blade or shift during cutting.
- ▶ **Ensure the miter saw is mounted or**

placed on a level, firm work surface before use. A level and firm work surface reduces the risk of the miter saw becoming unstable.

- ▶ **Plan your work. Every time you change the bevel or miter angle setting, make sure the adjustable fence is set correctly to support the workpiece and will not interfere with the blade or the guarding system.** Without turning the tool "ON" and with no workpiece on the table, move the saw blade through a complete simulated cut to assure there will be no interference or danger of cutting the fence.
- ▶ **Provide adequate support such as table extensions, saw horses, etc. for a workpiece that is wider or longer than the table top.** Workpieces longer or wider than the miter saw table can tip if not securely supported. If the cut-off piece or workpiece tips, it can lift the lower guard or be thrown by the spinning blade.
- ▶ **Do not use another person as a substitute for a table extension or as additional support.** Unstable support for the workpiece can cause the blade to bind or the workpiece to shift during the cutting operation pulling you and the helper into the spinning blade.
- ▶ **The cut-off piece must not be jammed or pressed by any means against the spinning saw blade.** If confined, i.e. using length stops, the cut-off piece could get wedged against the blade and thrown violently.
- ▶ **Always use a clamp or a fixture designed to properly support round material such as rods or tubing.** Rods have a tendency to roll while being cut, causing the blade to "bite" and pull the work with your hand into the blade.
- ▶ **Let the blade reach full speed before contacting the workpiece.** This will reduce the risk of the workpiece being thrown.
- ▶ **If the workpiece or blade becomes jammed, turn the miter saw off. Wait for all moving parts to stop and disconnect the plug from the power source.** Then work to free the jammed material. Continued sawing with a jammed workpiece could cause loss of control or damage to the miter saw.
- ▶ **After finishing the cut, release the switch, hold the saw head down and wait for the blade to stop before remov-**

ing the cut-off piece. Reaching with your hand near the coasting blade is dangerous.

- ▶ **Hold the handle firmly when making an incomplete cut or when releasing the switch before the saw head is completely in the down position.** The braking action of the saw may cause the saw head to be suddenly pulled downward, causing a risk of injury.

Safety instructions for the handling of saw blades

- ▶ Do not use damaged or deformed saw blades.
- ▶ Do not use any insertion tools with cracks. Sort out cracked insertion tools. Repairs are not permitted.
- ▶ Do not use saw blades made of high speed steel.
- ▶ Check the condition of the saw blades before using the crosscut, drag and mitre saw.
- ▶ Make sure that a suitable saw blade for the material to be cut is selected.
- ▶ Only use saw blades recommended by the manufacturer.
- ▶ Saw blades designed to cut wood and similar materials must comply with EN 847-1.
- ▶ Do not use saw blades made of high-speed alloy steel (HSS steel).
- ▶ Only use saw blades for which the maximum permissible speed is not lower than the maximum spindle speed of the crosscut, drag and mitre saw and which are suitable for the material to be cut.
- ▶ Observe the saw blade direction of rotation.
- ▶ Only insert the saw blade if you have mastered their use.
- ▶ Observe the maximum speed. The maximum speed specified on the insertion tool may not be exceeded. If specified, observe the speed range.
- ▶ Clean grease, oil and water off of the clamping surfaces.
- ▶ Do not use any loose reducing rings or bushes for the reducing of holes on saw blades.
- ▶ Make sure that fixed reducer rings for securing the insertion tool have the same diameter and have at least 1/3 of the cutting diameter.
- ▶ Make sure that fixed reducer rings are parallel to each other.
- ▶ Handle insertion tool with caution. They

are ideally stored in the originally package or special containers. Wear protective gloves in order to improve grip and to further reduce the risk of injury.

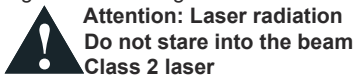
- ▶ Prior to the use of insertion tools, make sure that all protective devices are properly fastened.
- ▶ Prior to use, make sure that the insertion tool meets the technical requirements of this electric tool and is properly fastened.
- ▶ Only use the supplied saw blade for cutting wood, never for the processing of metals.
- ▶ Only use saw blade diameters in accordance with the markings on the saw.
- ▶ Use additional workpiece supports, if required for workpiece stability.
- ▶ Workpiece support extensions must always be secured and used during work.
- ▶ Replace table inserts when worn!
- ▶ Avoid overheating of the saw teeth.
- ▶ When sawing plastic, avoid melting of the plastic.

Use the appropriate saw blades for this purpose.

Replace damaged or worn saw blades immediately.

When the saw blade overheats, stop the machine.

Allow the saw blade to cool down before using the machine again.



Protect yourself and you environment from accidents using suitable precautionary measures!


- Do not look directly into the laser beam with unprotected eyes.
- Never look into the path of the beam.
- Never point the laser beam towards reflecting surfaces and persons or animals. Even a laser beam with a low output can cause damage to the eyes.
- Caution - methods other than those specified here can result in dangerous radiation exposure.
- Never open the laser module. Unexpected exposure to the beam can occur.
- If you do not use the device for a long time, the batteries should be removed.
- The laser may not be replaced with a different type of laser.
- Repairs of the laser may only be carried out by the laser manufacturer or an authorised representative.

Residual risks

The machine has been built according to the state of the art and the recognised technical safety requirements. However, individual residual risks can arise during operation.

- Health hazard due to electrical power, with the use of improper electrical connection cables.
- Furthermore, despite all precautions having been met, some non-obvious residual risks may still remain.
- Residual risks can be minimised if the "safety instructions" and the "Proper use" are observed along with the whole of the operating instructions.
- Do not load the machine unnecessarily: excessive pressure when sawing will quickly damage the saw blade, which results in reduced output of the machine in the processing and in cut precision.
- When cutting plastic material, please always use clamps: the parts which should be cut must always be fixed between the clamps.
- Avoid accidental starting of the machine: the operating button may not be pressed when inserting the plug in an outlet.
- Use the tool that is recommended in this manual. In doing so, your machine provides optimal performance.
- Hands may never enter the processing zone when the machine is in operation.
- Release the handle button and switch off the machine prior to any operations.

Product description and specifications

 **Read all safety warnings and all instructions.** Failure to follow the warnings and instructions may result in electric shock, fire and/or serious injury.

Intended use

The power tool is a stationary machine for cutting in a straight line with and against the grain in hardwood, softwood, chipboard and fibreboard. It is possible to cut miter angles of bevel angles of 0° to +45°.

When using appropriate saw blades, sawing aluminium profiles and plastic is also possible.

Product features

The numbering of the product features refers to the illustration of the machine on the graphics page.

1. Handle
2. ON/OFF switch

3. Lock switch
4. Machine head
5. Moving saw blade guard
6. Saw blade
7. Clamping device
8. Workpiece support
9. Table insert
10. Set screw for rotary table
11. Pointer
12. Scale
13. Rotary table
14. Fixed saw table
15. Stop rail
- 16a. Movable stop rail
- 16b. Set screw
17. Sawdust bag
18. Scale
19. Pointer
20. Set screw
21. Locking bolt
22. Screw for cutting depth limiting
23. Stop for cutting depth limiting
24. Adjusting screw (90°)
25. Adjusting screw (45°)
26. Flange screw
27. Outer fflange
28. Saw shaft lock
29. Inner fflange
30. Laser
31. ON/OFF switch laser
32. Guide bracket
33. Tilt protection

Technical parameter

Model	PMS210-C
Rated voltage	220V-240V 50HZ/60HZ
Rated output power	1400 W
Rated speed	0-4900 r/min
Saw blade diameter	Ø210 mm(8-1/4")
Max Cutting Depth	115mm(4-1/2")
Weight	6.9 kg

Contents of delivery

Miter saw	1 pc
24T saw blade	1 pc
Dust collector	1 pc
Hex wrench	1 pc
Instruction manual	1 pc

Note

Technical errors and typographical errors may be made in the text and numerical designations of the instructions.

Since the product is constantly being improved, P.I.T. reserves the right to make

changes to the specifications and product specifications specified here without prior notice.

Assembly

- ▶ **Pull the plug out of the socket before carrying out any work on the power tool.**

Note: Check the power tool for possible damage.

Before continuing to use the power tool, carefully check that all protective devices or slightly damaged parts are working perfectly and according to specifications. Check that the moving parts are working perfectly and without jamming;

check whether any parts are damaged. All parts must be fitted correctly and all the conditions necessary to ensure smooth operation must be met.

If the protective devices or any parts become damaged, you must have them properly repaired or replaced by an authorised service center.

Before starting the equipment

- ▶ Open the packaging and remove the device carefully.
- ▶ Remove the packaging material as well as the packaging and transport bracing (if available).
- ▶ Check that the delivery is complete.
- ▶ Check the device and accessory parts for transport damage.
- ▶ If possible, store the packaging until the warranty period has expired.

ATTENTION

The device and packaging materials are not toys! Children must not be allowed to play with plastic bags, film and small parts! There is a risk of swallowing and suffocation!

- ▶ The equipment must be set up where it can stand securely. Secure the machine on a workbench or a base frame with 4 screws (not included in delivery) using the holes on the fixed saw table (14).
- ▶ Mount the tilt protection (33).
- ▶ All covers and safety devices have to be properly fitted before the equipment is switched on.
- ▶ It must be possible for the blade to run freely.
- ▶ When working with wood that has been processed before, watch out for foreign bodies such as nails or screws, etc.
- ▶ Before you press the ON/OFF switch check that the saw blade is fitted correctly.

Moving parts must run smoothly.

- ▶ Before you connect the equipment to the power supply make sure the data on the rating plate are identical to the mains data.

Checking the moving saw blade guard safety device (5)

The saw blade guard protects against accidental contact with the saw blade and from chips flying around.

Check function

To do so, fold the saw downwards:

- ▶ The saw blade guard must provide free access to the saw blade without touching other parts.
- ▶ When folding the saw upwards into the starting position, the saw blade guard must cover the saw blade automatically.

Attachment and operation

Attaching the mitre saw (fig.1/2/4/5)

- ▶ In order to adjust the rotary table (13), loosen the set screw (10) approximately 2 turns.
- ▶ Turn the rotary table (13) and pointer (11) to the desired angle measurement on the scale (12) and use the set screw (10) to secure it.
- ▶ Pressing the machine head (4) lightly downwards and removing the locking bolt (21) from the motor bracket at the same time disengages the saw from the lowest position.
- ▶ Swing the machine head (4) up.
- ▶ It is possible to secure the clamping devices (7) to the left or right on the fixed saw table (14). Insert the clamping devices (7) in the holes on the rear side of the stop rail (15) and secure it with the star grip screws (7a).
- ▶ For 0° - 45° mitre cuts, the clamping device (7) must only be mounted on the right side (see fig. 11-12).
- ▶ It is possible to tilt the machine head (4) a max. 45° to the left by loosening the set screw (20).

Precision adjustment of the stop for crosscut 90° (fig.1/2/5/6)

- ▶ **No stop angle included.**
- ▶ Lower the machine head (4) and secure it using the locking bolt (21).
- ▶ Loosen the set screw (20).
- ▶ Position the angle stop (A) between the saw blade (6) and the rotary table (13).
- ▶ Loosen the lock nut (24a).
- ▶ Adjust the adjusting screw (24) until the angle between the saw blade (6) and rota-

ry table (13) is 90°.

- ▶ Re-tighten the lock nut (24a).
- ▶ Subsequently check the position of the angle indicator. If necessary loosen the pointer (19) using a Philips screwdriver, set to position 0° on the angle scale (18) and re-tighten the retaining screw.

Crosscut 90° and turntable 0° (fig.1/2/7)

Attention! For 90° crosscuts, the moveable stop rail (16a) must be fixed in the inner position.

- ▶ Open the set screw (16b) for the moveable stop rail (16a) and push the moveable stop rail (16a) inwards.
- ▶ The moveable stop rail (16a) must be locked in a position far enough from the inner position that the distance between the stop rail (16a) and the saw blade (6) is no more than 8 mm.
- ▶ Before making the cut, check that the stop rail (16a) and the saw blade (6) cannot collide.
- ▶ Re-tighten the set screw (16b).
- ▶ Move the machine head (4) to its upper position.
- ▶ Use the handle (1) to push back the machine head (4) and fix it in this position if required (dependent on the cutting width).
- ▶ Place the piece of wood to be cut at the stop rail (15) and on the turntable (13).
- ▶ Lock the material with the clamping devices (7) on the fixed saw table (14) to prevent the material from moving during the cutting operation.
- ▶ Release the lock switch (3) and press the ON/OFF switch (2) to start the motor.
- ▶ When the cutting operation is completed, move the machine head back to its upper (home) position and release the ON/OFF button (2).

Attention! The machine executes an upward stroke automatically due to the return spring, i.e. do not release the handle (1) after completing the cut; instead allow the machine head to move upwards slowly whilst applying light counter pressure.

Crosscut 90° and turntable 0° - 45° (fig. 1/7/8)

The mitre saw can be used to make crosscuts of 0° -45° to the left and 0° -45° to the right in relation to the stop rail.

Important! For 90° crosscuts, the moveable stop rail (16a) must be fixed in the inner position.

- ▶ Open the set screw (16b) for the moveable stop rail (16a) and push the moveable stop

rail (16a) inwards.

- ▶ The moveable stop rail (16a) must be fixed far enough in front of the innermost position that the distance between the stop rail (16a) and the saw blade (6) amounts to a minimum of 8 mm.
- ▶ Before making the cut, check that the stop rail (16a) and the saw blade (6) cannot collide.
- ▶ Secure the set screw (16b) again.
- ▶ Loosen the set screw (10).
- ▶ Use the handle (1) to adjust the rotary table to the desired angle.
- ▶ The pointer (11) on the rotary table must match the desired angle on the scale (12) on the fixed saw table (14).
- ▶ Re-tighten the set screw (10) to secure the rotary table (13).
- ▶ Carry out the cut as described in section "Cross cut 90° and rotary table 0° (Fig. 1/2/7)"

Precision adjustment of the stop for mitre cut 45° (fig.1/2/5/9/10)

- ▶ No stop angle included.
- ▶ Lower the machine head (4) and secure it using the locking bolt (21).
- ▶ Fix the rotary table (13) in the 0° position. Attention! For mitre cuts (inclined saw head), the of the moveable stop rails (16a) must be ffxed in the outer position.
- ▶ Open the set screw (16b) for the moveable stop rail (16a) and push the moveable stop rail (16a) outwards.
- ▶ The moveable stop rail (16a) must be ffxed far enough in front of the innermost position that the distance between the stop rail (16a) and the saw blade (6) amounts to a maximum of 8 mm.
- ▶ Before making a cut, check that the stop rail (16a) and the saw blade (6) cannot collide.
- ▶ Loosen the set screw (20) and use the handle (1) to angle the machine head (4) 45° to the left.
- ▶ 45° - position angle stop (B) between the saw blade (6) and rotary table (13).
- ▶ Loosen the lock nut (25a) and adjust the adjustment screw (25) until the angle between the saw blade (6) and the rotary table (13) is precisely 45°.
- ▶ Re-tighten the lock nut (25a).
- ▶ Subsequently check the position of the angle indicator. If necessary, loosen the pointer (19) using a Philips screwdriver, set to position 45° on the angle scale (18) and re-tighten the retaining screw.

Mitre cut 0° - 45° and turntable 0° (fig. 1/2/11)

The mitre saw can be used to make mitre cuts of 0° - 45° in relation to the work face.

Attention! For mitre cuts (inclined saw head), the the moveable stop rails (16a) must be fixed in the outer position.

- ▶ Open the set screw (16b) for the moveable stop rail (16a) and push the moveable stop rail (16a) outwards.
- ▶ The moveable stop rail (16a) must be ffxed far enough in front of the innermost position that the distance between the stop rail (16a) and the saw blade (6) amounts to a minimum of 8 mm.
- ▶ Before making a cut, check that the stop rail (16a) and the saw blade (6) cannot collide.
- ▶ Secure the set screw (16b) again.
- ▶ Move the machine head (4) to the top position.
- ▶ Fix the rotary table (13) in the 0° position.
- ▶ Loosen the set screw (20) and use the handle (1) to angle the machine head (4) to the left, until the pointer (19) indicates the desired angle measurement on the scale (18).
- ▶ Re-tighten the set screw (20).
- ▶ Make the cut as described in section "90° Cross Cut and 0° Rotary Table (Fig. 1/2/7)"

Mitre cut 0° - 45° and turntable 0° - 45° (fig. 2/4/12)

The mitre saw can be used to make mitre cuts to the left of 0°-45° in relation to the work face and, at the same time, 0° - 45° to the left or 0° - 45° to the right in relation to the stop rail (double mitre cut).

Attention! For mitre cuts (inclined saw head), the the moveable stop rails (16a) must be fixed in the outer position.

- ▶ Open the set screw (16b) for the moveable stop rail (16a) and push the moveable stop rail (16a) outwards.
- ▶ The moveable stop rail (16a) must be ffxed far enough in front of the innermost position that the distance between the stop rail (16a) and the saw blade (6) amounts to a minimum of 8 mm.
- ▶ Before making a cut, check that the stop rail (16a) and the saw blade (6) cannot collide.
- ▶ Re-tighten the set screw (16b).
- ▶ Move the machine head (4) to its upper position.
- ▶ Release the rotary table (13) by loosening the set screw (10).

- ▶ Using the handle (1), set the rotary table (13) to the desired angle (refer also to point 8.4 in this regard).
- ▶ Re-tighten the set screw (10) to secure the rotary table (13).
- ▶ Undo the set screw (20).
- ▶ Use the handle (1) to tilt the machine head (4) to the left until it coincides with the required angle value (in this connection see also section 8.6).
- ▶ Re-tighten the set screw (20).
- ▶ Cut as described under section 8.3.

Limiting the cutting depth (fig.3/13)

- ▶ The cutting depth can be infinitely adjusted using the screw (22). To do this loosen the knurled nut (22a) on the screw (22). Turn the screw (22) in or out to set the required cutting depth. Then re-tighten the knurled nut (22a) on the screw (22).
- ▶ Check the setting by completing a test cut.

Sawdust bag (fig.1/21)

The saw is equipped with a debris bag (17) for sawdust and chips.

Squeeze together the metal ring on the dust bag and attach it to the outlet opening in the motor area.

The debris bag (17) can be emptied by means of a zipper at the bottom.

Connection to an external dust extractor

- ▶ Connect the vacuum hose with the dust extraction spout.
- ▶ The industrial vacuum cleaner must be suitable for the material being worked.
- ▶ When vacuuming dust that is especially detrimental to health or carcinogenic, use a special vacuum cleaner.

Changing the saw blade (fig.1/2/14-17)

Remove the power plug!

Important!

Wear safety gloves when changing the saw blade.

Risk of injury!

- ▶ Swing the machine head (4) upwards and lock with the locking bolt (21).
- ▶ Loosen the retaining screw (5a) of the cover using a philips screwdriver.

WARNING! Do not fully remove this screw.

- ▶ Fold the saw blade guard (5) upwards until the saw blade guard (5) is above the flange screw (26).
- ▶ With one hand insert the Allen key (C) in the flange screw (27).
- ▶ Hold the Allen key (C) and slowly close the saw blade guard (5) until it touches the Allen key (C).

- ▶ Firmly press the saw shaft lock (28) and slowly rotate the flange screw (26) in clockwise direction. The saw shaft lock (28) engages after no more than one rotation.
- ▶ Now, using a little more force, slacken the flange screw (27) in the clockwise direction.
- ▶ Turn the flange screw (26) right out and remove the outer flange (27).
- ▶ Take the blade (6) off the inner flange (29) and pull out downwards.
- ▶ Carefully clean the flange screw (26), outer flange (27) and inner flange (29).
- ▶ Fit and fasten the new saw blade (6) in reverse order.
- ▶ Important! The cutting angle of the teeth, in other words the direction of rotation of the saw blade (6) must coincide with the direction of the arrow on the housing.
- ▶ Before continuing your work make sure that all safety devices are in good working condition.
- ▶ Important! Every time that you change the saw blade (6), check to see that it spins freely in the table insert (9) in both perpendicular and 45° angle settings.
- ▶ Important! The work to change and align the saw blade (6) must be carried out correctly.

Using the laser (fig.18)

To switch on: Press the ON/OFF switch laser (31) 1x. A laser line is projected onto the material you wish to process, providing an exact guide for the cut.

To switch off: Press again the ON/OFF switch laser (31). ON/OFF switch laser.

Adjusting the laser (fig.19-20)

If the laser (30) no longer indicates the correct cutting line, you can adjust it.

- ▶ Loosen the screws (30a) and adjust the laser by moving it until the laser beam hits the teeth of the saw blade (6).
- ▶ When adjusting the laser, never press the switch. Unintentionally starting a power tool can cause injury.
- ▶ Set successively different angles of rotation of the table and inclination of the cutting unit and check that the indicator line coincides with the sawing line with the disk. If there is a discrepancy, loosen the screws that secure the pointer and move it to adjust the position of the projected line.

Note! When setting different positions, carry out test cutting. Check the cutting result using measuring instruments.

Transport

- ▶ Tighten these screw (10) to lock the rotary table.
- ▶ Press the machine head (4) downwards and secure with the locking bolt (21).
- ▶ Carry the equipment by the fixed saw table (14).
- ▶ When reassembling the equipment proceed as described under section 7.

Troubleshooting

Fault	Possible cause	Remedy
Motor does not work	Motor, cable or plug defective, fuses burnt.	Arrange for inspection of the machine by a specialist. Never repair the motor yourself. Danger! Check fuses and replace as necessary.
The motor starts up slowly and does not reach operating speed	Voltage too low, coils damaged, capacitor burnt.	Contact the utility provider to check the voltage. Arrange for inspection of the motor by a specialist. Arrange for replacement of the capacitor by a specialist.
Motor makes excessive noise	Coils damaged, motor defective.	Arrange for inspection of the motor by a specialist.
The motor does not reach its full power	Circuits in the network are overloaded (lamps, other motors, etc.).	Do not use any other equipment or motors on the same circuit.
Motor overheats easily	Overloading of the motor, insufficient cooling of the motor.	Avoid overloading the motor while cutting, remove dust from the motor in order to ensure optimal cooling of the motor.
Saw cut is rough or wavy	Saw blade dull, tooth shape not appropriate for the material thickness.	Re-sharpen saw blade and/or use suitable saw blade.
Workpiece pulls away and/or splinters	Excessive cutting pressure and/or saw blade not suitable for use.	Insert suitable saw blade.

Maintenance and service

Maintenance and cleaning

- ▶ Before any work on the machine itself, pull the mains plug.
- ▶ For safe and proper working, always keep the machine and ventilation slots clean.
- ▶ The pendulum guard must always move freely and close independently. Therefore, always keep the area around the pendulum guard clean.
- ▶ After each work step, remove dust and chips with a compressed air jet or brush.
- ▶ Clean the slide roller regularly.

When the battery is no longer operative, please refer to an authorised after-sales service agent for P.I.T. power tools.

Service

Have your power tool repaired only by qualified personnel and only with original replacement parts. This ensures the safety of the power tool.

The list of authorized service centers can be viewed on the official website of P.I.T. by the link: <https://pittools.ru/services/>

Storage and transportation

Store the instrument in an enclosed area with natural ventilation in its packaging at an air temperature from 0 ° C to + 50 ° C and an air humidity of no more than 80%.

Products can be transported by any type of closed transport in the manufacturer's packaging or without it, while preserving the product from mechanical damage, atmospheric precipitation. Remove the exchange tool from the power tool before transporting it.

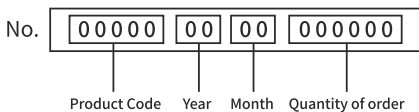
Dispose of waste



Damaged power tools, batteries, accessories and waste packaging materials must be recycled and reused in an environmentally friendly manner.

Do not throw power tools and accumulators / batteries into general household waste!

Product serial number interpretation serial number



The date of manufacture of the product is encoded in the serial number printed on the body of the tool. The first 2 digits indicate the

year of issue, the next 2 digits indicate the month.

TERMS OF WARRANTY SERVICE

To customers (users) of warranty service:

1. This warranty certificate is the only document that confirms your right to free warranty service. If this proof is not presented, no claims will be accepted. Warranty certificates cannot be recovered if lost or damaged.
2. It is required to provide a valid and legal document for purchasing the product. The document must have the name or seal of the sales company; at the same time, state the full model name of the purchased P.I.T. product, the serial number on the nameplate of the fuselage, and the date of purchase, and the required warranty. The whole machine and its accessories.

The warranty period:

1. The warranty period of the product is 12 months from the date of sale. During the warranty period, the service department will eliminate manufacturing defects free of charge and replace the parts that fail due to the manufacturer's fault. In warranty repair, an equivalent operable product is not provided. Replaceable parts become the property of the service provider.
2. The wear degree on the diameter of the motor rotor commutator is less than 0.4 mm (except for brushless motor tools), and the internal damage caused by the quality of the tool belongs to the warranty.

The following situations occur during the warranty period, which is not covered by the warranty:

1. In the absence of any valid legal documents (invoices) such as warranty certificates and warranty cards to prove the date of purchase.
2. Damage caused by natural wear and overload. (For example, motor rotor and stator failure caused by overload, scorching or melting of the primary winding of the welding machine transformer, charging or starting the charging device, melting of internal parts, burning of electronic circuit boards, etc.)
3. The casing and power cord are mechanically damaged, as well as damage caused by corrosive media and high and low temperature, foreign objects entering the ventilation network of the motor, and damage caused by improper storage (corrosion of metal parts);
4. Damage caused by improper carrying, transportation and storage by users.

5. Products that are opened, repaired, replaced or modified by users themselves.

6. Any damage caused by indiscriminate use, beyond the scope of use of the tool, and not in accordance with the instructions for use and maintenance. (see chapter "Safety Precautions" in the manual);

7. The damage caused by the following situations is not guaranteed due to improper use and non-quality problems:

(1) When the power tool is running at high speed, use the braking device to forcibly stop the rotation.

(2) Excessive pressure is applied to the tool during the use of the tool.

(3) Use the tool outside the scope of its purpose and capabilities.

(4) Damage caused by the tool working in a dusty environment for a long time without timely maintenance of the tool.

(5) Change the rotation direction of the work head before the tool stops completely.

(6) Shock the battery or charger and replace the plug of the charger without permission, causing damage to the battery or charger.

(7) Damage caused by two-stroke gasoline tools not being fueled in the correct proportions.

The warranty does not include:

1. Replacement of accessories (accessories and components) such as batteries, discs, blades, drills, chucks, chains, sprockets, collet clamps, guide rails, tension and fastening elements, dresser heads, grinders And belt sander base machine, hexagonal head, etc.;

2. Wearing parts, such as: carbon brushes, transmission belts, seals, protective covers, guide rollers, guide rails, rubber seals, bearings, toothed belts and wheels, shanks, brake belts, starter ratchets and ropes, piston rings Wait.

The above accessories are replaced with paid services during the warranty period;

Русский

Указания по технике безопасности
Общие указания по технике безопасно-
сти для электроинструментов



ПРЕДУПРЕЖДЕНИЕ

Прочтите все указания и инструк-
ции по технике безопасности.

Несоблюдение указаний и инструкций по
технике безопасности может стать причи-
ной поражения электрическим током, пожа-
ра и тяжелых травм.

**Сохраняйте эти инструкции и указания
для будущего использования.**

Использованное в настоящих инструкциях
и указаниях понятие «электроинструмент»
распространяется на электроинструмент с
питанием от сети (с сетевым шнуром) и на
аккумуляторный электроинструмент (без
сетевго шнура).

Безопасность рабочего места

- ▶ Содержите рабочее место в чистоте и
хорошо освещенным. Беспорядок или
неосвещенные участки рабочего места
могут привести к несчастным случаям.
- ▶ Не работайте с этим электроинстру-
ментом во взрывоопасном помеще-
нии, в котором находятся горючие
жидкости, воспламеняющиеся газы
или пыль. Электроинструменты искрят,
что может привести к воспламенению
пыли или паров.
- ▶ Во время работы с электроинстру-
ментом не допускайте близко к Ва-
шему рабочему месту детей и посто-
ронних лиц. Отвлечшись, Вы можете
потерять контроль над электроинстру-
ментом.

Электробезопасность

- ▶ Штепсельная вилка электроинстру-
мента должна подходить к штепсель-
ной розетке. Ни в коем случае не
изменяйте штепсельную вилку. Не
применяйте переходные штекеры
для электроинструментов с защит-
ным заземлением. Неизмененные
штепсельные вилки и подходящие
штепсельные розетки снижают риск по-
ражения электротоком.
- ▶ Предотвращайте телесный контакт
с заземленными поверхностями, как
то: с трубами, элементами отопления,
кухонными плитами и холодильника-
ми. При заземлении Вашего тела повы-
шается риск поражения электротоком.
- ▶ Защищайте электроинструмент от до-

жда и сырости. Проникновение воды
в электроинструмент повышает риск
поражения электротоком.

- ▶ Не разрешается использовать шнур
не по назначению, например, для
транспортировки или подвески элек-
троинструмента, или для вытягива-
ния вилки из штепсельной розетки.
Защищайте шнур от воздействия
высоких температур, масла, острых
кромки или подвижных частей элек-
троинструмента. Поврежденный или
спутанный шнур повышает риск пораже-
ния электротоком.
- ▶ При работе с электроинструментом
под открытым небом применяйте
пригодные для этого кабели удлин-
нители. Применение пригодного для
работы под открытым небом кабеля
удлинителя снижает риск поражения
электротоком.
- ▶ Если невозможно избежать приме-
нения электроинструмента в сыром
помещении, подключайте электроин-
струмент через устройство защитного
отключения. Применение устройст-
ва защитного отключения снижает риск
электрического поражения.

Безопасность людей

- ▶ Будьте внимательными, следите за
тем, что Вы делаете, и продуманно
начинайте работу с электроинстру-
ментом. Не пользуйтесь электроин-
струментом в усталом состоянии
или если Вы находитесь в состоянии
наркотического или алкогольного
опьянения или под воздействием ле-
карств. Один момент невниматель-
ности при работе с электроинструментом
может привести к серьезным травмам.
- ▶ Применяйте средства индивидуаль-
ной защиты. Всегда носите защитные
очки. Использование средств инди-
видуальной защиты, как то: защитной
маски, обуви на нескользящей подошве,
защитного шлема или средств защиты
органов слуха, в зависимости от вида
работы с электроинструментом снижает
риск получения травм.
- ▶ Предотвращайте непреднамеренное
включение электроинструмента.
Перед подключением электроин-
струмента к электропитанию и/или к
аккумулятору убедитесь в выключен-
ном состоянии электроинструмента.

Удержание пальца на выключателе при транспортировке и подключение к сети питания включенного электроинструмента чревато несчастными случаями.

- ▶ **Убирайте установочный инструмент или гаечные ключи до включения электроинструмента.** Инструмент или ключ, находящийся во вращающейся части электроинструмента, может привести к травмам.
- ▶ **Не принимайте неестественное положение корпуса тела. Всегда занимайте устойчивое положение и сохраняйте равновесие.** Благодаря этому Вы можете лучше контролировать электроинструмент в неожиданных ситуациях.
- ▶ **Носите подходящую рабочую одежду. Не носите широкую одежду и украшения.** Держите волосы, одежду и рукавицы вдали от движущихся частей. Широкая одежда, украшения или длинные волосы могут быть затянуты вращающимися частями.
- ▶ **При наличии возможности установки пылеотсасывающих и пылесборных устройств проверяйте их присоединение и правильное использование.** Применение пылесоса может снизить опасность, создаваемую пылью.
- ▶ **Хорошее знание электроинструментов, полученное в результате частого их использования, не должно приводить к самоуверенности и игнорированию техники безопасности обращения с электроинструментами.** Одно небрежное действие за долю секунды может привести к серьезным травмам.
- ▶ **ВНИМАНИЕ!** В случае возникновения перебоя в работе электроинструмента вследствие полного или частичного прекращения энергоснабжения или повреждения цепи управления энергоснабжением установите выключатель в положение Выкл., убедившись, что он не заблокирован (при его наличии). Отключите сетевую вилку от розетки или отсоедините съёмный аккумулятор. Этим предотвращается неконтролируемый повторный запуск.
- ▶ **Квалифицированный персонал в соответствии с настоящим руководством подготавливает лиц, которые знакомы с регулировкой, монтажом, вводом эксплуатацию обслуживанием электроинструмента.**
- ▶ **К работе с электроинструментом допу-**

скаются лица не моложе 18 лет, изучившие техническое описание, инструкцию по эксплуатации и правила безопасности.

- ▶ Изделие не предназначено для использования лицами (включая детей) с пониженными физическими, чувственными или умственными способностями или при отсутствии у них жизненного опыта или знаний, если они не находятся под контролем или не проинструктированы об использовании электроинструмента лицом, ответственным за их безопасность.

Применение электроинструмента и обращение с ним

- ▶ **Не перегружайте электроинструмент. Используйте для Вашей работы предназначенный для этого электроинструмент.** С подходящим электроинструментом Вы работаете лучше и надежнее в указанном диапазоне мощности.
- ▶ **Не работайте с электроинструментом при неисправном выключателе.** Электроинструмент, который не поддается включению или выключению, опасен и должен быть отремонтирован.
- ▶ **До начала наладки электроинструмента, перед заменой принадлежностей и прекращением работы отключайте штепсельную вилку от розетки сети и/или выньте аккумулятор.** Эта мера предосторожности предотвращает непреднамеренное включение электроинструмента.
- ▶ **Храните электроинструменты в недоступном для детей месте. Не разрешайте пользоваться электроинструментом лицам, которые не знакомы с ним или не читали настоящих инструкций.** Электроинструменты опасны в руках неопытных лиц.
- ▶ **Тщательно ухаживайте за электроинструментом. Проверяйте беспрепятственную функцию и ход движущихся частей электроинструмента, отсутствие поломок или повреждений, отрицательно влияющих на функцию электроинструмента. Поврежденные части должны быть отремонтированы до использования электроинструмента.** Плохое обслуживание электроинструментов является причиной большого числа несчастных случаев.

- ▶ **Держите режущий инструмент в заточенном и чистом состоянии.** Заботливо ухоженные режущие инструменты с острыми режущими кромками режут легко и их легче вести.
- ▶ **Применяйте электроинструмент, принадлежности, рабочие инструменты и т. п. в соответствии с настоящими инструкциями.** Учитывайте при этом рабочие условия и выполняемую работу. Использование электроинструментов для непредусмотренных работ может привести к опасным ситуациям.
- ▶ **Держите ручки и поверхности захвата сухими и чистыми, следите чтобы на них чтобы на них не было жидкой или консистентной смазки.** Скользкие ручки и поверхности захвата препятствуют безопасному обращению с инструментом и не дают надежно контролировать его в непредвиденных ситуациях.

Указания по технике безопасности для тоцовочно-усорезочных пил

- ▶ Торцовочные пилы предназначены для резки дерева и подобных дереву материалов, запрещается их использование с абразивными отрезными дисками для резки черных металлов, напр., прутьев, стержней, штифтов и т.д. Пыль от шлифования ведет к заеданию движущихся частей, напр., нижнего защитного кожуха. Искры, образующиеся при абразивной резке, могут прожечь нижний защитный кожух, вставку в прорези для диска и прочие пластиковые части.
- ▶ **Всегда, когда возможно, используйте струбцины для фиксации обрабатываемой детали.** В случае придерживания обрабатываемой детали рукой обязательно держите руку на расстоянии не менее 100 мм от любой из сторон пильного диска. Не используйте эту пилу для резки заготовок, размер которых слишком мал для надежного закрепления или удерживания рукой. При слишком близком расположении руки от пильного диска повышается риск травмы от контакта с пильным диском.
- ▶ **Обрабатываемая заготовка должна быть неподвижной и зажатой или удерживаться рукой с опорой одно-**

временно на ограждение и на стол. Никогда не подавайте обрабатываемую заготовку под пильный диск и не выполняйте резку на весу. Не зажимайте или двигайтесь обрабатываемые заготовки могут быть отброшены с большой скоростью, что может стать причиной травм.

- ▶ **Проталкивайте пильный диск сквозь обрабатываемую заготовку.** Не протягивайте пильный диск сквозь обрабатываемую заготовку на себя. Чтобы сделать рез, поднимите ручку пилы, протяните на себя верх обрабатываемой заготовки без разрезания, запустите двигатель, надавите на ручку пилы сверху вниз и протолкните пильный диск сквозь обрабатываемую заготовку. Резание при движении на себя скорее всего приведет к тому, что пильный диск съедет на обрабатываемую заготовку и будет резко выброшен в сторону оператора.
- ▶ **Рука никогда не должна пересекать предполагаемую линию реза ни спереди, ни сзади пильного диска.** Придерживание обрабатываемой заготовки перекрещенными руками, т.е. удерживание обрабатываемой заготовки справа от пильного диска левой рукой или наоборот, очень опасно.
- ▶ **Не протягивайте руку за ограждение ближе, чем на 100 мм от любой из сторон пильного диска, ни для удаления древесной стружки, ни для чего-либо еще, если диск еще вращается.** Близость вращающегося пильного диска к руке может быть недооценена, что может привести к тяжелым травмам.
- ▶ **Осмотрите обрабатываемую заготовку перед резанием.** Если обрабатываемая заготовка имеет изогнутую или крученную форму, закрепляйте ее внешней поверхностью изгиба к ограждению. Всегда следите за тем, чтобы по линии разреза отсутствовал зазор между обрабатываемой заготовкой, ограждением и столом. Обрабатываемые заготовки изогнутой или крученной формы могут перекрутиться или сдвинуться, что может привести к заеданию вращающегося пильного диска во время резки. В обрабатываемой заготовке не должно быть гвоздей или инородных тел.

- ▶ **Используйте пилу только после того, как стол будет очищен от всех инструментов, обрезков дерева и т.д., за исключением обрабатываемой заготовки.** Мелкий мусор или кусочки дерева или прочие предметы, входя в контакт с вращающимся пильным диском, могут быть отброшены с большой скоростью.
 - ▶ **Режьте обрабатываемые заготовки только по одной за раз.** Уложенные стопкой обрабатываемые заготовки невозможно как следует зажать или скрепить, поэтому они могут зажать пильный диск или сдвинуться во время резания.
 - ▶ **Перед использованием убедитесь в том, что торцовочная пила смонтирована или установлена на ровной, стабильной рабочей поверхности.** Ровная и стабильная рабочая поверхность снижает риск шатания торцовочной пилы.
 - ▶ **Планируйте свою работу.** Каждый раз при изменении настройки вертикального или горизонтального угла распила убедитесь в том, что регулируемое ограждение правильно настроено для поддержки обрабатываемой заготовки и не будет мешать пильному диску или системе защиты. Не включая электроинструмент в положение «ВКЛ» и не помещая обрабатываемую заготовку на стол, полностью проведите пильный диск по воображаемому разрезу, чтобы убедиться в отсутствии помех или опасности порезать ограждение.
 - ▶ **Обеспечивайте адекватную опору, напр., дополнительные столы, козлы и т.д. для обрабатываемой заготовки, превышающей размер стола по ширине или длине.** Если обрабатываемая заготовка длиннее или шире стола торцовочной пилы, то без соответствующей опоры она может накрениться. Если отрезаемая часть или обрабатываемая заготовка накренится, она может поднять нижний защитный кожух или может быть отброшена вращающимся пильным диском.
 - ▶ **Не используйте других людей в качестве дополнительного стола или подпорки.** Нестабильная опора обрабатываемой заготовки может привести к зажатию пильного диска или сдвигу обрабатываемой заготовки во время резания, из-за чего Вас и Вашего помощника может затянуть под вращающийся пильный диск.
 - ▶ **Отрезаемая часть не должна быть зажата или придавлена чем-либо к вращающемуся пильному диску.** При зажатии, т.е. при использовании упора для установки длины, отрезаемая часть может заклинить пильным диском и может быть резко отброшена.
 - ▶ **Всегда используйте струбцину или зажимное устройство, предназначенное для надежного закрепления круглых материалов, напр., стержней или труб.** Стержни обычно укладываются при резке, из-за чего пильный диск может “закусывать” и тянуть обрабатываемую заготовку вместе с рукой под пильный диск.
 - ▶ **Дайте пильному диску разогнаться до полной скорости перед тем, как прикоснуться к обрабатываемой заготовке.** Это снижает риск отбрасывания обрабатываемой заготовки.
 - ▶ **Если обрабатываемую заготовку или пильный диск заело, выключите торцовочную пилу.** Подождите, пока все движущиеся части не остановятся, и извлеките вилку из розетки сети питания и/или извлеките батарею. Затем освободите зажатый материал. Если продолжить резать заевшую обрабатываемую заготовку, можно утратить контроль над торцовочной пилой или повредить ее.
 - ▶ **По завершении резания, отпустите выключатель, опустите головку пилы вниз и подождите, пока пильный диск не остановится, и лишь затем убирайте отрезанную часть.** Приближать руку к движущемуся по инерции пильному диску опасно.
 - ▶ **Крепко держите ручку, выполняя неполный прорез или отпуская выключатель до того, как головка пилы полностью опустится вниз.** При торможении пилы головку пилы может внезапно потянуть вниз, что ведет к риску получения травмы.
- Инструкции по технике безопасности при обращении с пильными дисками**
- ▶ Не применяйте тупые, треснувшие, погнутые или поврежденные пильные диски. Пильные диски с тупыми или неправильно разведенными зубьями

ведут в результате очень узкого пропила к повышенному трению, заклиниванию диска и к обратному удару.

- ▶ Проверяйте состояние пильного диска перед использованием.
- ▶ Убедитесь, что выбран подходящий пильный диск для разрезаемого материала.
- ▶ Используйте только диски, рекомендованные производителем.
- ▶ Пильные диски, предназначенные для резки древесины и подобных материалов, должны соответствовать стандарту EN 847-1.
- ▶ Не используйте пильные диски из быстрорежущей легированной стали (HSS). Такие диски могут легко разломаться.
- ▶ Используйте только пильные диски, максимально допустимая скорость вращения которых не ниже максимальной скорости шпинделя торцовочной пилы, и которые подходят для разрезаемого материала.
- ▶ Соблюдайте направление вращения диска.
- ▶ Устанавливайте пильный диск только в том случае, если вы научились им пользоваться.
- ▶ Соблюдайте максимальную скорость. Запрещается превышать максимальную скорость, указанную на пильном диске. Если указано, соблюдайте диапазон скоростей.
- ▶ Всегда используйте пильные диски правильного размера и с подходящим посадочным отверстием (напр., ромбовидной или круглой формы). Пильные диски, не соответствующие крепежным частям пилы, вращаются с биением и ведут к потере контроля над инструментом.
- ▶ Очищайте зажимные поверхности от смазки, масла и воды.
- ▶ Не используйте незакрепленные переходные кольца или втулки для уменьшения отверстий на пильных дисках.
- ▶ Убедитесь, что диаметр переходного кольца соответствует посадочному отверстию пильного диска.
- ▶ Убедитесь, что переходное кольцо и пильный диск имеют одинаковую толщину.
- ▶ Убедитесь, что зажимной фланец больше диаметра переходного кольца на величину не менее 1/3 диаметра фланца.

- ▶ Обращайтесь с насадками осторожно. Оптимальным вариантом является их хранение в оригинальной упаковке или специальных контейнерах. Используйте защитные перчатки, чтобы улучшить хват и снизить риск получения травмы.
- ▶ Перед использованием инструмента убедитесь, что все защитные устройства правильно закреплены.
- ▶ Перед использованием убедитесь, что пильный диск соответствует техническим требованиям данного электроинструмента и правильно закреплен.
- ▶ Используйте поставляемый в комплекте пильный диск только для резки древесины, а не для обработки металлов.
- ▶ При необходимости используйте дополнительные опоры для устойчивости заготовки.
- ▶ Удлинитель опор заготовки всегда должны быть закреплены и использоваться во время работы.
- ▶ Заменяйте вставки стола при их износе!
- ▶ Избегайте перегрева зубьев пилы.
- ▶ При распиловке пластика избегайте его плавления.
- ▶ Не касайтесь пильного диска после работы, пока он не остынет. При работе пильный диск сильно нагревается.

Используйте для работы соответствующие пильные диски.

Немедленно замените поврежденные или изношенные пильные диски.

Если пильный диск перегревается, остановите работу инструмента.

Прежде чем снова использовать пилу, дайте пильному диску остыть.

Внимание: лазерное излучение Не смотрите прямо в луч лазер класса

Защитите себя и окружающую среду от несчастных случаев, используя соответствующие меры предосторожности!

- Не смотрите на лазерный луч незащищенными глазами.
- Никогда не смотрите на траекторию луча.
- Не направляйте луч лазера на людей или животных и сами не смотрите на прямой или отражаемый луч лазера. Этот луч может слепить людей, стать причиной несчастного случая или повредить глаза..
- В случае попадания лазерного луча в глаз глаза нужно намеренно закрыть и

немедленно отвернуться от луча.

- Внимание методы, отличные от указанных здесь, могут привести к опасному облучению.
- Никогда не открывайте лазерный модуль. Может произойти неожиданное воздействие луча.
- Если вы не пользуетесь устройством в течение длительного времени, следует извлечь батарейки.
- Лазер не может быть заменен лазером другого типа.
- Ремонт лазера может выполняться только производителем или уполномоченным представителем.

Остаточные риски

Машина сконструирована в соответствии с последними достижениями науки и техники и утвержденными требованиями в области технической безопасности. Однако при эксплуатации могут присутствовать отдельные остаточные риски.

- Угроза для здоровья при использовании ненадлежащих электрических кабелей;
- Даже при соблюдении всех мер предосторожности могут присутствовать некоторые остаточные риски;
- Остаточные риски могут быть минимизированы при строгом соблюдении мер предосторожности и правил эксплуатации, содержащихся в данном руководстве;
- Не прикладывайте к оборудованию чрезмерной нагрузки: избыточное давление во время распила быстро повредит пильный диск, что приведет к снижению эксплуатационных характеристик машины в области обработки и точности реза;
- При резке пластика всегда используйте зажимы: заготовка всегда должна быть зафиксирована зажимами;
- Избегайте непреднамеренного запуска машины: при подключении оборудования к сети кнопка включения не должна быть нажатой;
- Используйте инструменты, рекомендованные в данном руководстве. Это обеспечит максимальную эффективность работы вашей пилы;
- Во время работы машины держите руки вне зоны обработки.
- Перед любой операцией с заготовкой отпустите кнопку на ручке и отключите машину.

Описание продукта и характеристики



Прочтите все указания и инструкции по технике безопасности. Указания в отношении указаний и инструкций по технике безопасности могут стать причиной поражения электрическим током, пожара и тяжелых травм.

Использование по назначению

Электроинструмент предназначен для использования на опоре для выполнения в древесине твердых и мягких пород, древесностружечных и древесноволокнистых плитах прямолинейных продольных и поперечных распилов.

Возможные углы распила от 0° до +45°.

При использовании соответствующих пильных дисков возможно распиливание алюминиевых профилей и пластмассы.

Изображенные составные части

Нумерация представленных компонентов выполнена по изображению на странице с иллюстрациями.

1. Ручка
2. Переключатель вкл / выкл
3. Блокиратор выключателя
4. Режущий блок
5. Подвижный защитный кожух пильного диска
6. Пильный диск
7. Зажимное устройство
8. Удлинитель стола
9. Вставка поворотного стола
10. Винт фиксации поворотного стола.
11. Указатель угла поворотного стола
12. Шкала поворотного стола
13. Поворотный стол
14. Фиксированный пильный стол.
15. Фронтальный упор
- 16a. Подвижная упорная планка
- 16b. Зажимной винт
17. Пылесборник.
18. Шкала выбора угла наклона
19. Указатель угла наклона
20. Винт фиксации угла наклона
21. Транспортировочный предохранитель
22. Винт ограничения глубины резания.
23. Упор ограничения глубины резания.
24. Регулировочный винт (90°).
25. Регулировочный винт (45°)
26. Винт зажимного фланца
27. Зажимной фланец
28. Фиксатор вала пилы.
29. Опорный фланец
30. Лазерный указатель

31. Переключатель ВКЛ/ВЫКЛ лазера.

32. Направляющий кронштейн

33. Защита от опрокидывания

Технические данные

Модель	PMS210-C
Номинальные напряжение/частота	220В-240В 50 Гц/60 Гц
Номинальная мощность	1400 Вт
Частота вращения, об/мин	0-4900 об/мин
Диаметр пильного диска	Ø210 mm(8-1/4")
Максимальная глубина реза	115mm(4-1/2")
Вес	6.9 кг

Комплект поставки

Торцовочная пила	1 шт
Пильное полотно 24Т	1 шт
Пылесборник	1 шт
Шестигранный ключ	1 шт
Инструкция по эксплуатации	1 шт

Примечание

В тексте и цифровых обозначениях инструкции могут быть допущены технические ошибки и опечатки.

Так как изделие постоянно совершенствуется, P.I.T. оставляет за собой право на внесение изменений в указанные здесь технические характеристики и комплектацию изделия без предварительного уведомления.

Сборка

- ▶ **Перед любыми манипуляциями с электроинструментом вытаскивайте штепсель из розетки.**

Указание: Проверьте электроинструмент на предмет возможных повреждений.

Перед использованием электроинструмента следует тщательно проверить защитные устройства или компоненты с возможностью легкого повреждения на предмет безупречной и соответствующей назначению функции. Проверьте безупречную функцию, свободный ход и исправность подвижных частей. Все части должны быть правильно установлены и выполнять все условия для обеспечения безупречной работы.

Поврежденные защитные устройства и компоненты должны быть отремонтированы квалифицированным персоналом в авторизованной специализированной мастерской или заменены.

Перед запуском оборудования

- ▶ Откройте упаковку и осторожно извле-

ките устройство.

- ▶ Снимите упаковочный материал, а также упаковку и транспортировочные крепления (при наличии).
- ▶ Убедитесь в наличии всех комплектующих.
- ▶ Проверьте устройство и принадлежности на предмет повреждений при транспортировке.
- ▶ По возможности храните упаковку до истечения гарантийного срока.

ВНИМАНИЕ

Устройство и упаковочные материалы не являются игрушками! Детям нельзя играть с полиэтиленовыми пакетами, пленкой и мелкими деталями! Существует риск проглатывания и удушья!

- ▶ Оборудование должно быть установлено там, где оно может надежно зафиксировано. Закрепите станок на верстаке или опорной раме с помощью 4 винтов (не входят в комплект поставки), используя отверстия в станине пильного стола (14).
- ▶ Установите защиту от опрокидывания (33).
- ▶ Перед включением оборудования все крышки и защитные устройства должны быть правильно установлены.
- ▶ Лезвие должно иметь возможность свободного перемещения.
- ▶ При работе с древесиной, которая была ранее обработана, следите за посторонними предметами, такими как гвозди, шурупы и т. д.
- ▶ Прежде чем нажать выключатель ВКЛ/ВЫКЛ, убедитесь, что пильное полотно установлено правильно. Движущиеся части должны работать плавно.
- ▶ Прежде чем подключить оборудование к источнику питания, убедитесь, что данные на заводской табличке соответствуют данным сети.

Проверка защитного кожуха пильного диска (5)

Защитный кожух пильного диска защищает от случайного контакта с пильным диском и разлетающейся вокруг стружки.

Проверьте функцию

Для этого опустите режущий блок вниз:

- ▶ Защитный кожух должен обеспечивать свободный доступ к пильному диску, не касаясь других частей.
- ▶ При поднятии режущего блока вверх, в исходное положение, защитный кожух

должен автоматически закрывать пильный диск.

Эксплуатация

Подготовка торцовочной пилы (рис.1/2/4/5)

- ▶ Чтобы отрегулировать поворотный стол (13), ослабьте установочный винт (10) примерно на 2 оборота.
- ▶ Поверните поворотный стол (13) и установите указатель (11) на желаемое значение угла по шкале (12) и зафиксируйте его с помощью винта (10).
- ▶ Слегка нажав на режущий блок (4) вниз и одновременно сняв стопорный болт (21) с кронштейна двигателя, вы выведете пилу из заблокированного (транспортировочного) положения.
- ▶ Поднимите режущий блок (4) вверх.
- ▶ Зажимные устройства (7) можно закрепить слева или справа на неподвижном пильном столе (14). Вставьте зажимные приспособления (7) в отверстия на задней стороне фронтального упора (15) и закрепите их звездообразными винтами (7а).
- ▶ При резке под углом 0°-45° зажимное устройство (7) должно устанавливаться только с правой стороны (см. рис. 11-12).
- ▶ Режущий блок (4) можно наклонить макс. на 45° влево, предварительно ослабив фиксирующий винт (20).

Точная регулировка стопера для поперечного распила 90° (рис.1/2/5/6)

- ▶ Закрепите поворотный стол(13) в положение 0°.
- ▶ Опустите режущий блок (4) и закрепите его стопорным болтом (21).
- ▶ Ослабьте винт (20).
- ▶ Расположите угловой шаблон(угольник) на 90° (А) между пильным диском (6) и поворотным столом (13) (Не касайтесь угольником зубьев диска, это приведет к неточному измерению).
- ▶ Ослабьте контргайку (24а).
- ▶ Отрегулируйте регулировочный винт (24) до тех пор, пока угол между пильным диском (6) и поворотным столом (13) не составит 90°.
- ▶ Снова затяните контргайку (24а).
- ▶ Затем проверьте положение индикатора угла. При необходимости ослабьте указатель (19) с помощью крестообразной отвертки, установите его в положение 0° на шкале угла (18) и снова затяните

крепежный винт.

Поперечный рез 90° и поворотный стол 0° (рис.1/2/7)

Внимание! Для поперечных распилов под углом 90° подвижная упорная планка (16а) должна быть зафиксирована во внутреннем положении.

- ▶ Ослабьте зажимной винт (16b) подвижной упорной планки (16а) и переместите подвижную стопорную планку (16а) внутрь.
- ▶ Подвижная упорная планка (16а) должна быть зафиксирована в положении, достаточно далеко от внутреннего положения, чтобы расстояние между упорной планкой (16а) и пильным диском (6) составляло не более 8 мм.
- ▶ Перед выполнением резки убедитесь, что упорная планка (16а) и пильный диск (6) не соприкасаются.
- ▶ Снова затяните винт (16b).
- ▶ Переместите режущий блок (4) в верхнее положение.
- ▶ С помощью ручки (1) отодвиньте режущий блок (4) назад и при необходимости зафиксируйте его в нужной позиции (в зависимости от ширины заготовки).
- ▶ Поместите деревянную заготовку на поворотный стол (13) и прижмите к фронтальному упору (15).
- ▶ Зафиксируйте материал с помощью зажимных устройств (7) на фиксированном пильном столе (14), чтобы предотвратить перемещение материала во время распила.
- ▶ Нажмите на блокиратор выключателя (3) и затем нажмите переключатель ВКЛ/ВЫКЛ (2), чтобы запустить двигатель.
- ▶ После завершения резки верните режущий блок в верхнее (исходное) положение и отпустите кнопку ВКЛ/ВЫКЛ (2).

Внимание! Внутренние пружины механизма возврата автоматически поднимают режущий блок в исходное положение. Не отпускайте рукоятку (1) после завершения распила; вместо этого позвольте режущему блоку медленно двигаться вверх, оказывая при этом легкое встречное давление.

Поперечный рез 90° и поворотный стол 0°-45° (рис. 1/7/8)

Торцовочную пилу можно использовать для выполнения поперечных распилов под углом 0-45° влево и 0-45° вправо. Важно! Для поперечных распилов под углом 90° подвижная упорная планка (16а)

должна быть зафиксирована во внутреннем положении.

- ▶ Ослабьте зажимной винт (16b) подвижной стопорной планки (16a) и переместите подвижную стопорную планку (16a) внутрь.
- ▶ Подвижная упорная планка (16a) должна быть зафиксирована в положении, достаточно далеком от внутреннего положения, чтобы расстояние между упорной планкой (16a) и пильным диском (6) составляло не более 8 мм.
- ▶ Перед выполнением резки убедитесь, что упорная планка (16a) и пильный диск (6) не соприкасаются.
- ▶ Снова затяните установочный винт (16b).
- ▶ Ослабьте фиксирующий винт (10).
- ▶ С помощью ручки (1) поверните поворотный стол на нужный угол.
- ▶ Указатель (11) на поворотном столе должен совпадать с желаемым углом на шкале (12) неподвижного пильного стола (14).
- ▶ Снова затяните винт (10), чтобы закрепить поворотный стол (13).
- ▶ Выполните разрез, как описано в разделе «Поперечный рез 90° и поворотный стол 0° (рис. 1/2/7)»

Точная регулировка стопора для распила под углом 45° (рис. 1/2/5/9/10)

- ▶ Опустите режущий блок (4) и закрепите его стопорным болтом (21).
- ▶ Зафиксируйте поворотный стол (13) в положении 0°.

Внимание! При резке под углом (с наклоном режущего блока) подвижные упорные планки (16a) должны быть зафиксированы во внешнем положении.

- ▶ Ослабьте фиксирующий винт (16b) подвижной стопорной планки (16a) и выдвиньте подвижную стопорную планку (16a) наружу.
- ▶ Подвижная стопорная планка (16a) должна быть зафиксирована настолько далеко перед самым внутренним положением, чтобы расстояние между стопорной планкой (16a) и пильным диском (6) составляло максимум 8 мм.
- ▶ Прежде чем выполнять рез, убедитесь, что упорная планка (16a) и пильный диск (6) не соприкасаются.
- ▶ Ослабьте фиксирующий винт (20) и с помощью ручки (1) наклоните режущий блок (4) на 45° влево.
- ▶ Расположите угловой шаблон (угольник)

на 45° (B) между пильным диском (6) и поворотным столом (13).

- ▶ Ослабьте контргайку (25a) и отрегулируйте регулировочный винт (25) до тех пор, пока угол между пильным диском (6) и поворотным столом (13) не составит точно 45°. Не касайтесь угольником зубьев диска, это приведет к неточному измерению.
- ▶ Снова затяните контргайку (25a).
- ▶ Затем проверьте положение указателя угла. При необходимости ослабьте указатель (19) с помощью крестообразной отвертки, установите его в положение 45° на шкале угла (18) и повторно затяните крепежный винт.

Угловой рез 0°- 45° и поворотный стол 0° (рис. 1/2/11)

Торцовочную пилу можно использовать для резки под углом от 0° до 45° по отношению к обрабатываемой поверхности.

Внимание! При резке под углом (с наклоном режущего блока) подвижные упорные планки (16a) должны быть зафиксированы во внешнем положении.

- ▶ Ослабьте фиксирующий винт (16b) подвижной стопорной планки (16a) и выдвиньте подвижную стопорную планку (16a) наружу.
- ▶ Подвижная стопорная планка (16a) должна быть зафиксирована настолько далеко перед самым внутренним положением, чтобы расстояние между стопорной планкой (16a) и пильным диском (6) составляло максимум 8 мм.
- ▶ Прежде чем выполнять рез, убедитесь, что упорная планка (16a) и пильный диск (6) не соприкасаются.
- ▶ Снова затяните установочный винт (16b).
- ▶ Переместите режущий блок (4) в верхнее положение.
- ▶ Зафиксируйте поворотный стол (13) в положении 0°.
- ▶ Ослабьте винт (20) и с помощью ручки (1) наклоните режущий блок (4) влево до тех пор, пока указатель (19) не укажет желаемое значение угла на шкале (18).
- ▶ Снова затяните винт (20).
- ▶ Выполните разрез, как описано в разделе «Поперечный рез 90° и поворотный стол 0° (рис. 1/2/7)»

Угловой рез 0°- 45° и поворотный стол 0°- 45° (рис. 2/4/12)

Торцовочную пилу можно использовать

для выполнения косых пропилов под углом 0–45° влево по отношению к заготовке и одновременно под углом 0–45° влево или 0–45° вправо в относительно упорной планки (двойной распил под углом).

Внимание! При резке под углом (с наклонным режущего блока) подвижные упорные планки (16а) должны быть зафиксированы в внешнем положении.

- ▶ Ослабьте фиксирующий винт (16b) подвижной стопорной планки (16а) и выдвиньте подвижную стопорную планку (16а) наружу.
- ▶ Подвижная стопорная планка (16а) должна быть зафиксирована настолько далеко перед самым внутренним положением, чтобы расстояние между стопорной планкой (16а) и пильным диском (6) составляло максимум 8 мм.
- ▶ Прежде чем выполнять рез, убедитесь, что упорная планка (16а) и пильный диск (6) не соприкасаются.
- ▶ Снова затяните установочный винт (16b).
- ▶ При необходимости демонтируйте зажимной механизм (7) со стороны наклонного режущего блока или переместите его на противоположную сторону пильного стола.
- ▶ Переместите режущий блок (4) в верхнее положение.
- ▶ Освободите поворотный стол (13), ослабив винт (10).
- ▶ С помощью ручки (1) установите поворотный стол (13) на нужный угол.
- ▶ Снова затяните установочный винт (10), чтобы закрепить
- ▶ Ослабьте винт (20) и с помощью ручки (1) наклоните режущий блок (4) влево до тех пор, пока указатель (19) не укажет желаемое значение угла на шкале (18).
- ▶ Снова затяните винт (20).
- ▶ Выполните пропил, как указано в разделах выше.

Ограничение глубины распила (рис.3/13)

- ▶ Глубину распила можно плавно регулировать с помощью винта (22). Для этого ослабьте стопорную гайку (22а) на винте (22). Поверните винт (22) внутрь или наружу, чтобы установить необходимую глубину распила. Затем снова затяните гайку (22а) на винте (22).
- ▶ Проверьте настройку, выполнив пробный распил.

Пылесборник (рис.1/21)

Пила оснащена мешком для сбора пыли (17) опилок и стружки.

Сожмите металлическое кольцо на пылесборнике и прикрепите его к патрубку в области двигателя.

Мешок для мусора (17) можно опорожнить с помощью встроенной молнии.

Внешняя система пылеудаления

- ▶ Для пылеудаления к патрубку для выброса опилок можно присоединить всасывающий шланг пылесоса.
- ▶ Пылесос должен быть пригоден для обрабатываемого материала.
- ▶ Применяйте специальный пылесос для удаления особо вредных для здоровья видов пыли, возбудителей рака или сухой пыли.

Замена пильного диска (рис.1/2/14-17)

Внимание! Перед заменой пильного диска отключите сетевой шнур!

Важно! При замене пильного диска надевайте защитные перчатки.

- ▶ Поверните режущий блок (4) и зафиксируйте стопорным болтом (21).
- ▶ Ослабьте крепежный винт (5а) кожуха с помощью крестообразной отвертки.

ПРЕДУПРЕЖДЕНИЕ! Не вынимайте этот винт полностью.

- ▶ Сложите подвижный защитный кожух пильного диска (5) вверх до тех пор, пока подвижный кожух не окажется над винтом зажимного фланца (26).
- ▶ Вставьте шестигранный ключ (С) в винт (27).
- ▶ Удерживая шестигранный ключ (С), медленно закрывайте защитный кожух (5), пока он не коснется шестигранного ключа (С).
- ▶ Нажмите на фиксатор вала пилы (28) и медленно поверните винт зажимного фланца (26) по часовой стрелке. Фиксатор вала пилы (28) срабатывает не более чем после одного оборота.
- ▶ Теперь, приложив немного больше силы, ослабьте винт (26) по часовой стрелке.
- ▶ Выверните винт (26) и снимите зажимной фланец (27).
- ▶ Снимите диск (6) с опорного фланца (29) и извлеките его.
- ▶ Тщательно очистите винт (26), зажимной фланец (27) и опорный фланец (29).
- ▶ Установите и закрепите новый пильный диск (6) в обратном порядке.
- ▶ Важно! Направление вращения пиль-

ного диска (6), должно совпадать с направлением стрелки на корпусе защитного кожуха.

- ▶ Прежде чем продолжить работу, убедитесь, что все устройства безопасности находятся в хорошем рабочем состоянии.
- ▶ Важный! Каждый раз при замене пильного диска (6) проверяйте, свободно ли он вращается во вставке стола (9) как в перпендикулярном положении, так и под углом 45°.
- ▶ Важно! Работы по замене и центровке пильного диска (6) необходимо выполнять правильно.

Использование лазера (рис.18)

Для включения: Нажмите переключатель ВКЛ/ВЫКЛ лазера (31) 1 раз. Луч лазера указывает на линию разреза пильного диска. Это позволяет очень точно располагать заготовку для раскроя.

Для выключения: Снова нажмите переключатель ВКЛ/ВЫКЛ (31).

Настройка лазера (рис.19-20)

Если лазер (30) перестает указывать правильную линию распила, вы можете его отрегулировать.

- ▶ Ослабьте винты (30а) и настройте лазер, перемещая его, пока лазерный луч не попадет на зубья пильного диска (6).
- ▶ При юстировании лазера никогда не нажимайте на выключатель. Непреднамеренный запуск электроинструмента может привести к травмам.
- ▶ Установите последовательно разные углы поворота стола и наклона режущего блока и проверьте совпадение линии указателя с линией пиления диском. В случае несовпадения отпустите винты крепления указателя и его перемещением отрегулируйте положение проецируемой линии.

Примечание! При установке различных положений проводите пробное пиление. Проверьте результат пиления с использованием средств измерения.

Транспортировка

Перед транспортировкой инструмента выполните следующее:

- ▶ Затяните установочный винт (10), чтобы зафиксировать поворотный стол.
- ▶ Нажмите на режущий блок (4) вниз и зафиксируйте стопорным болтом (21).
- ▶ Переносите оборудование за стационарный пильный стол (14).

Возможные неисправности

Неисправность	Возможная причина	Возможные решения
Двигатель не работает	Неисправен двигатель, кабель или вилка, сгорели предохранители.	1. Проверить наличие напряжения в сети 2. Проверить выключатель 3. Обратиться в специализированную мастерскую для ремонта. Никогда не ремонтируйте двигатель самостоятельно.
Двигатель не развивает полную скорость и не работает на полную мощность	Слишком низкое напряжение, повреждены катушки, сгорел конденсатор, слишком длинный удлинительный шнур	1. Проверить напряжение в сети 2. Обратиться в специализированную мастерскую для ремонта 3. Заменить удлинитель на более короткий, убедиться, что он отвечает требованиям, для подключения моделей с данными характеристиками
Двигатель издает чрезмерный шум	Катушки повреждены, двигатель неисправен.	Обратиться в специализированную мастерскую для ремонта
Двигатель не достигает своей полной силы	Электрическая сеть перегружена	Ограничьте количество подключенного к сети оборудования
Двигатель быстро перегревается	Перегрузка мотора, недостаточное охлаждение мотора.	Избегайте перегрузки двигателя во время резки, удаляйте с него пыль, чтобы обеспечить оптимальное охлаждение двигателя.
Распил грубый или волнистый	Пильный диск затупился, форма зубьев не соответствует толщине материала.	Заточите пильный диск и/или используйте подходящий пильный диск.
Заготовка отрывается и/или появляются сколы	Чрезмерное давление при распиле и/или пильный диск непригоден для использования.	Замените пильный диск

Техобслуживание и сервис

Техобслуживание и очистка

- ▶ Перед любыми манипуляциями с электроинструментом вытаскивайте штепсель из розетки.
- ▶ Для обеспечения качественной и безопасной работы содержите электроинструмент и вентиляционные прорези в чистоте.
- ▶ Маятниковый защитный кожух должен всегда свободно двигаться и самостоятельно закрываться. Поэтому всегда держите в чистоте участок вокруг маятникового защитного кожуха.
- ▶ После каждой рабочей операции удаляйте пыль и стружку струей сжатого воздуха или кисточкой.
- ▶ Регулярно очищайте ролик скольжения.

Если требуется поменять шнур, во избежание опасности обращайтесь на фирму P.I.T или в авторизованную сервисную мастерскую для электроинструментов P.I.T.

Сервис

- ▶ Ремонт вашего электроинструмента поручайте только квалифицированному персоналу и только с применением оригинальных запасных частей. Этим обеспечивается безопасность электроинструмента.

Список авторизованных сервисных центров можно посмотреть на официальном сайте P.I.T. по ссылке: <https://pittools.ru/services/>

Хранение и транспортировка

Храните инструмент в закрытых помещениях с естественной вентиляцией в упаковке при температуре воздуха от 0°C до+50°C и влажности воздуха не более 80%.

Транспортировать продукцию можно любым видом закрытого транспорта в упаковке производителя или без нее, с сохранением изделия от механических повреждений, атмосферных осадков. Перед транспортировкой извлеките сменный инструмент из электроинструмента.

Утилизация



Отслужившие свой срок электроинструменты, принадлежности и упаковку следует сдавать на экологически чистую переработку отходов.

Утилизируйте электроинструмент отдельно

Расшифровка даты изготовления изделия



Дата изготовления изделия зашифрована в серийном номере, напечатанном на корпусе инструмента. Первые 2 цифры обозначают год выпуска, следующие 2 цифры – месяц.

УСЛОВИЯ ГАРАНТИЙНОГО ОБСЛУЖИВАНИЯ

1. Настоящее гарантийное свидетельство является единственным документом, подтверждающим ваше право на бесплатное гарантийное обслуживание. Без предъявления данного свидетельства претензии не принимаются. В случае утери или порчи гарантийное свидетельство не восстанавливается.

2. Гарантийный срок указан в гарантийном сертификате. В течение гарантийного срока сервисная служба бесплатно устраняет производственные дефекты и производит замену деталей, вышедших из строя по вине изготовителя. На период гарантийного ремонта эквивалентный исправный инструмент не предоставляется. Заменяемые детали переходят в собственность служб сервиса.

Компания P.I.T. не несет ответственности за вред, который может быть причинен при работе с электроинструментом.

3. В гарантийный ремонт инструмент принимается в чистом виде, при обязательном наличии надлежащим образом оформленных документов: настоящего гарантийного свидетельства, гарантийного талона, с полностью заполненными полями, штампом торговой организации и подписью покупателя.

4. Гарантийный ремонт не производится в следующих случаях:

- при отсутствии гарантийного свидетельства и гарантийного талона или неправильном их оформлении;
- степень износа диаметра коллектора ротора двигателя превышает 0,4 мм (за исключением инструментов с бесщеточным двигателем);
- при совместном выходе из строя якоря и статора электродвигателя, при обугливание или оплавлении первичной обмотки транс-

форматора сварочного аппарата, зарядного или пуско-зарядного устройства, при оплавлении внутренних деталей, прожиге электронных плат и других случаях;

- если гарантийное свидетельство или талон не принадлежат данному электроинструменту или не соответствует установленному поставщиком образцу;

- по истечении срока гарантии;

- при попытках самостоятельного вскрытия или ремонта электроинструмента вне гарантийной мастерской;

- внесения конструктивных изменений и смазки инструмента в гарантийный период, о чем свидетельствуют, например, заломы на шлицевых частях крепежа корпусных деталей;

- при использовании электроинструмента в производственных или иных целях, связанных с получением прибыли, а также при возникновении неисправностей связанных с нестабильностью параметров электросети, превышающих нормы, установленные ГОСТ;

- при неправильной эксплуатации, использованию электроинструмента не по назначению, указанному в инструкции по эксплуатации, установки на электроинструмент не предназначенных заводом-изготовителем насадок, дополнительных приспособлений и т.п.;

- при механических повреждениях корпуса, сетевого шнура и при повреждениях, вызванных воздействиями агрессивных средств и высоких и низких температур, попадании инородных предметов в вентиляционные решетки электроинструмента, а также при повреждениях, наступивших в результате неправильного хранения (коррозия металлических частей);

- при естественном износе деталей электроинструмента, в результате длительной эксплуатации (определяется по признакам полной или частичной выработки ресурса, сильного загрязнения, ржавчины снаружи и внутри электроинструмента, отработанной смазки в редукторе);

- при возникновении повреждений в связи с несоблюдением предусмотренных инструкцией условий эксплуатации (см. главу «Указание по технике безопасности» в инструкции).

- при повреждении изделия вследствие несоблюдения правил хранения и транспортировки;

- при сильном внутреннем загрязнении ин-

струмента;

- при работе с перегрузкой бензоинструмента, изменении цвета чашки и муфты сцепления в результате перегрева;

- при обрыве шнура стартера при условии исправности остальных деталей пускового устройства;

- на все виды работ, выполняемые при периодическом техническом обслуживании (регулировки, чистке, замене расходных материалов и др.);

- на неисправности, возникшие в результате нарушения требований и правил эксплуатации, установленным паспортом изделия. Например, перегрев изделия, несоблюдение требований к составу и качеству топливной смеси, повлекших выход из строя поршневой группы (безусловным признаком этого является залегание поршневого кольца и/или наличие царапин и потертостей на внутренней поверхности цилиндра и поверхности поршня, разрушение или оплавление опорных подшипников шатуна и поршневого пальца);

- на внешние и внутренние загрязнения, царапины, трещины, повреждения, возникшие в процессе эксплуатации или транспортировки.

- при работе электроинструментом с перегрузкой и заклиниванием оснастки, о чем свидетельствуют задиры, изменение цвета от температуры упорных и прижимных шайб, зажимного патрона, выхода из строя редуктора.

Профилактическое обслуживание электроинструмента (чистка, промывка, смазка, замена пыльников, поршневых и уплотнительных колец) в гарантийный период является платной услугой.

Срок службы изделия составляет 3 года.

Срок хранения – 2 года. Не рекомендуется к эксплуатации по истечении 2 лет хранения с даты изготовления, которая указана в серийном номере на этикетке инструмента, без предварительной проверки (определение даты выпуска смотрите ранее в Руководстве пользователя).

О возможных нарушениях, изложенных выше условий гарантийного обслуживания, владельцу сообщается после проведения диагностики в сервисном центре. Владелец инструмента доверяет проведение диагностики в сервисном центре в свое отсутствие.

Запрещается эксплуатация электроинструмента при проявлении признаков повы-

шенного нагрева, искрения, а также шума в редукторной части. Для выяснения причин неисправности покупателю следует обратиться в гарантийную мастерскую.

Неисправности, вызванные несвоевременной заменой угольных щеток двигателя, устраняются за счет покупателя.

5.Гарантия не распространяется на:

- сменные принадлежности (аксессуары и оснастка), например: аккумуляторы, диски, ножи, сверла, буры, патроны, цепи, звездочки, цанговые зажимы, шины, элементы натяжения и крепления, головки триммеров, подошвы шлифовальных и ленточных машин, фильтры, головки шестигранные сменные насадки и т.п.

- быстроизнашивающиеся детали, например: угольные щетки, приводные ремни, сальники, защитные кожухи, направляющие ролики, направляющие, резиновые уплотнения, подшипники, зубчатые ремни и колеса, стволы, ленты тормоза, храповики и тросы стартеров, поршневые кольца и т.п.

Замена их в течение гарантийного срока является платной услугой.

- шнуры питания, в случае повреждения изоляции. В данном случае потребитель должен быть уведомлен и ремонт (услуга платная) должен быть выполнен после согласия потребителя. Если потребитель не согласен на замену, то в любом ремонте этого инструмента будет отказано. Факт отказа должен быть зафиксирован в гарантийном талоне или квитанции сервисного центра и подписан владельцем.

P.I.T. WARRANTY CERTIFICATE

Product Name _____

Product Serial Number

Battery Serial Number

Charger Serial Number

Sale Date _____

Trade Organization Name _____



Dear customer!

Thank you for purchasing the P.I.T. tool, and we hope that you will be satisfied with your choice. In the process of manufacturing the P.I.T. tools pass multilevel quality control, if nevertheless your product will need maintenance, please contact the authorized P.I.T. service centers.

Attention!

When buying, ask a seller to check the completeness and operability of the tool, to fill out the Warranty Certificate, the Warranty Card (the boxes shall be filled out by a seller) and to affix the seal of the trade organization in the Guarantee Certificate and the Warranty Card.

Warranty

By this Warranty Certificate, P.I.T. company guarantees the absence of defects of the production nature.

In the event any of the above defects are detected during the warranty period, the specialized P.I.T. service centers shall repair the product and replace the defective spare parts free of charge.

The warranty period for P.I.T. electric machines is 12 months from the date of sale.

“The warranty maintenance terms acknowledged and accepted. The operability and completeness of the product are checked in my presence. No claims on quality and appearance.”

Buyer's Signature _____ Surname (legibly) _____

Phone _____

ГАРАНТИЙНОЕ СВИДЕТЕЛЬСТВО НА ИНСТРУМЕНТ P.I.T.

Наименование изделия _____

Серийный номер изделия □□□□□□□□□□

Серийный номер аккумулятора □□□□□□□□□□

Серийный номер зарядного устройства □□□□□□□□□□

Дата продажи « ____ » _____

Наименование торговой организации _____

Уважаемый покупатель!

М.П.

Благодарим Вас за покупку инструмента P.I.T. и надеемся, что Вы останетесь довольны своим выбором.

При необходимости обслуживания Вашего изделия обращайтесь в авторизованные сервисные центры P.I.T. Все сервисные центры представлены на сайте www.pittools.ru

Внимание!

При покупке требуйте у продавца проверки работоспособности инструмента и его комплектности, а также заполнения гарантийного свидетельства, гарантийного талона (графы «Заполняются продавцом») и простановки печати торговой организации в гарантийном свидетельстве и гарантийных талонах.

Гарантия

На основании данного гарантийного свидетельства компания P.I.T. гарантирует отсутствие дефектов производственного характера.

Если в течение гарантийного срока в Вашем изделии обнаружатся указанные дефекты, то специализированные сервисные центры P.I.T. бесплатно отремонтируют изделие и заменят дефектные запасные части.

Гарантийный срок на электроинструменты P.I.T. составляет 12 месяцев со дня продажи.

«С условиями гарантийного обслуживания ознакомлен(а). Работоспособность и комплектность изделия проверены в моем присутствии. Претензий к качеству и внешнему виду не имею».

Подпись покупателя _____ Фамилия (разборчиво) _____

Телефон _____

P.I.T. WARRANTY CARD

P.I.T. № 1

Name _____
 Serial Number _____
 Sale Date _____ 20__
 Date of Receipt from Repair _____ 20__

_____ Place of Seal

(Filled out by a Seller)
 WARRANTY REPAIR CARD
 Date of Acceptance for Repair _____ 20__
 Application for Repair _____
 Customer _____
 Phone (Address) _____
 Cause of Application _____
 Date of Receipt from Repair _____ 20__

The Tool is checked in my presence _____
 (The Order shall be performed in a Service Center) (Signature)

P.I.T. № 2

Name _____
 Serial Number _____
 Sale Date _____ 20__
 Date of Receipt from Repair _____ 20__

_____ Place of Seal

(Filled out by a Seller)
 WARRANTY REPAIR CARD
 Date of Acceptance for Repair _____ 20__
 Application for Repair _____
 Customer _____
 Phone (Address) _____
 Cause of Application _____
 Date of Receipt from Repair _____ 20__

The Tool is checked in my presence _____
 (The Order shall be performed in a Service Center) (Signature)

P.I.T. № 3

Name _____
 Serial Number _____
 Sale Date _____ 20__
 Date of Receipt from Repair _____ 20__

_____ Place of Seal

(Filled out by a Seller)
 WARRANTY REPAIR CARD
 Date of Acceptance for Repair _____ 20__
 Application for Repair _____
 Customer _____
 Phone (Address) _____
 Cause of Application _____
 Date of Receipt from Repair _____ 20__

The Tool is checked in my presence _____
 (The Order shall be performed in a Service Center) (Signature)

ГАРАНТИЙНЫЙ ТАЛОН P.I.T.

P.I.T.

Талон № 1

Наименование _____

Серийный номер _____

Дата продажи « ____ » ____ 20__

(Заполняется продавцом)

КАРТА ГАРАНТИЙНОГО РЕМОНА

Дата приема ремонт ____ 20__

Заявка на ремонт _____

Заказчик _____

Телефон (адрес) _____

Причина обращения _____

Дата получения от ремонта ____ 20__

Инструмент проверен в моем присутствии _____

(Заказ заполняется в Сервисном Центре) (Подпись)

Место печати
или штампа

Наименование _____
 Серийный номер _____
 Дата продажи ____ 20__
 Дата получения от ремонта ____ 20__

P.I.T.

Талон № 2

Наименование _____

Серийный номер _____

Дата продажи « ____ » ____ 20__

(Заполняется продавцом)

КАРТА ГАРАНТИЙНОГО РЕМОНА

Дата приема ремонт ____ 20__

Заявка на ремонт _____

Заказчик _____

Телефон (адрес) _____

Причина обращения _____

Дата получения от ремонта ____ 20__

Инструмент проверен в моем присутствии _____

(Заказ заполняется в Сервисном Центре) (Подпись)

Место печати
или штампа

Наименование _____
 Серийный номер _____
 Дата продажи ____ 20__
 Дата получения от ремонта ____ 20__

P.I.T.

Талон № 3

Наименование _____

Серийный номер _____

Дата продажи « ____ » ____ 20__

(Заполняется продавцом)

КАРТА ГАРАНТИЙНОГО РЕМОНА

Дата приема ремонт ____ 20__

Заявка на ремонт _____

Заказчик _____

Телефон (адрес) _____

Причина обращения _____

Дата получения от ремонта ____ 20__

Инструмент проверен в моем присутствии _____

(Заказ заполняется в Сервисном Центре) (Подпись)

Место печати
или штампа

Наименование _____
 Серийный номер _____
 Дата продажи ____ 20__
 Дата получения от ремонта ____ 20__



Media account



pit_global



PIT Global



YouTube PIT Global



bod@pit-tools.com



www.pit-tools.com