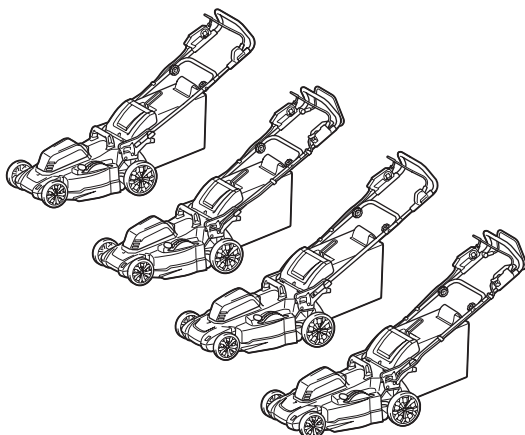




EN	Cordless Lawn Mower	INSTRUCTION MANUAL	10
RU	Аккумуляторная Газонокосилка	РУКОВОДСТВО ПО ЭКСПЛУАТАЦИИ	23
KK	Аккумуляторлы көгал шапқыш	ПАЙДАЛАНУ ЖӨНІНДЕГІ НҰСҚАУЛЫҚ	39

DLM480
DLM481
DLM538
DLM539



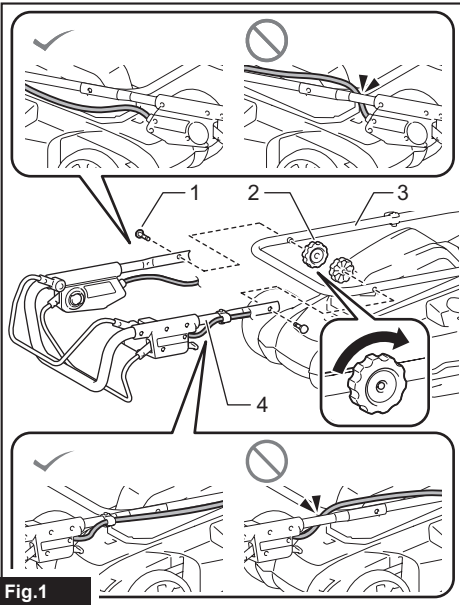


Fig.1

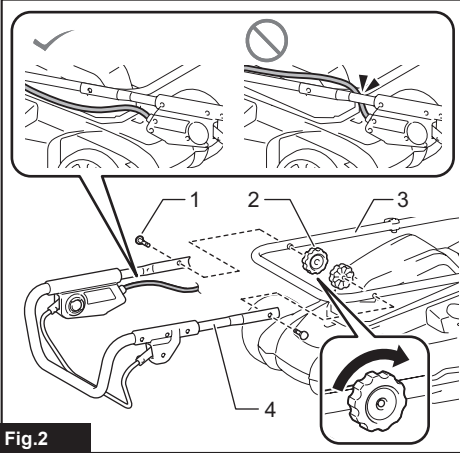


Fig.2

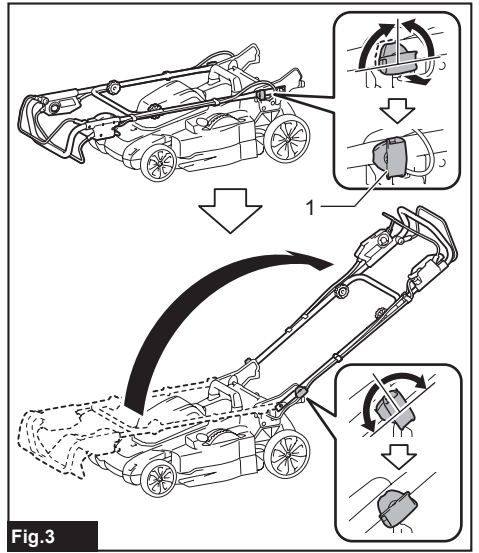


Fig.3

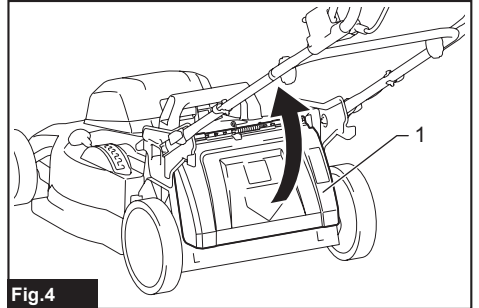


Fig.4

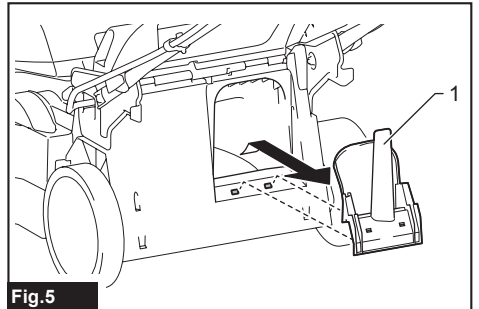
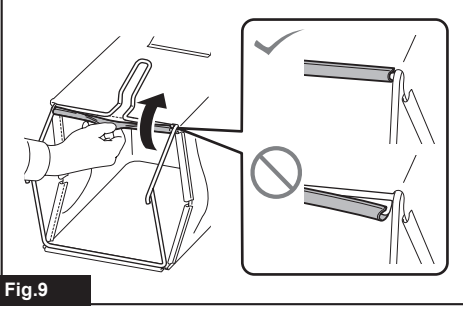
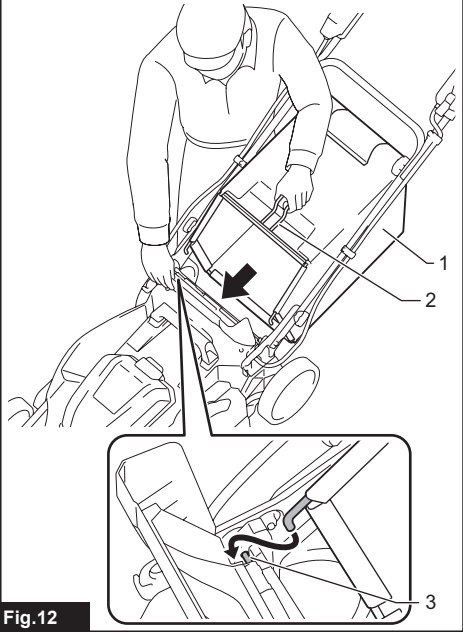
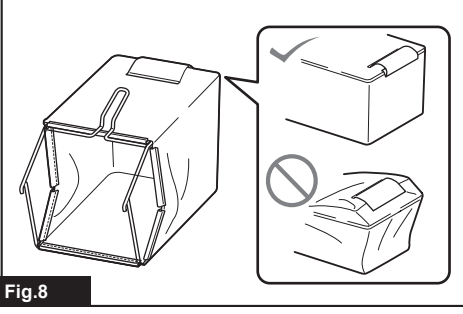
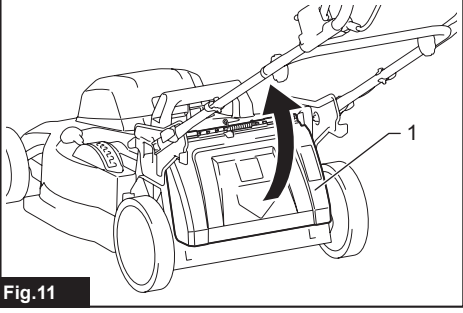
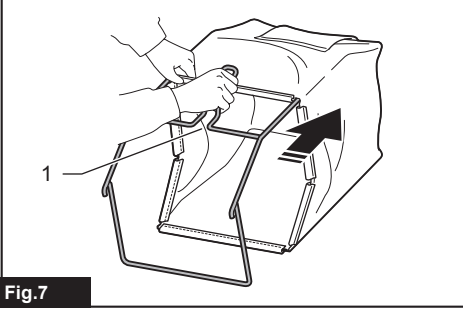
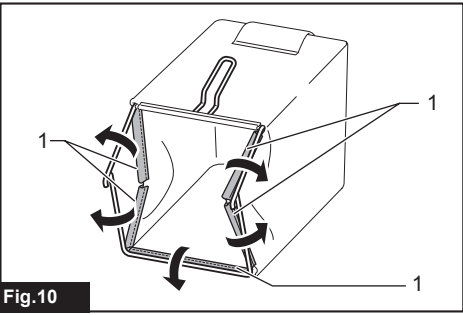
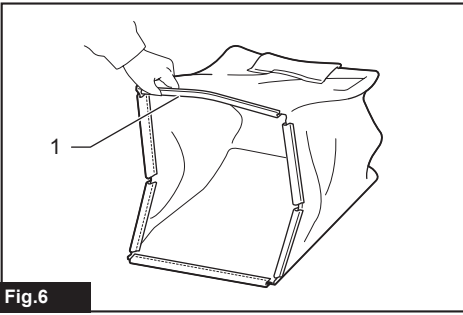


Fig.5



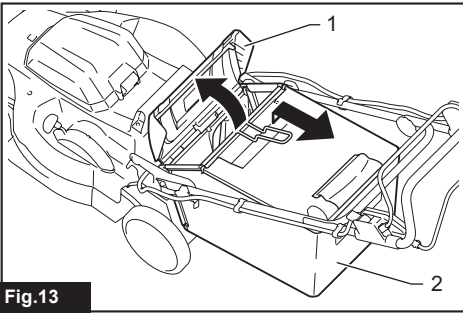


Fig.13

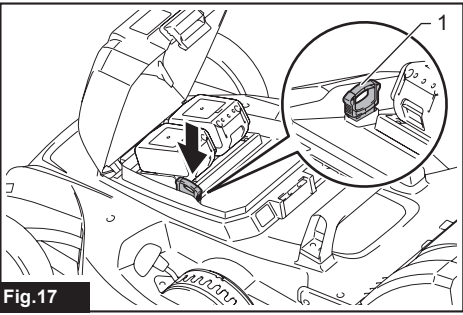


Fig.17

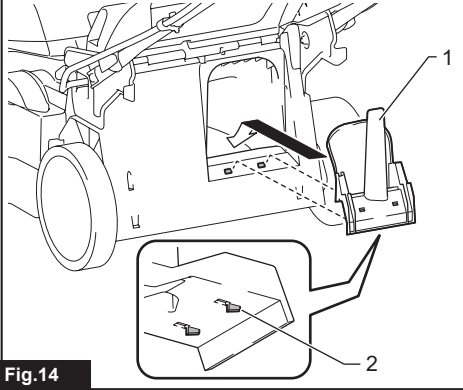


Fig.14

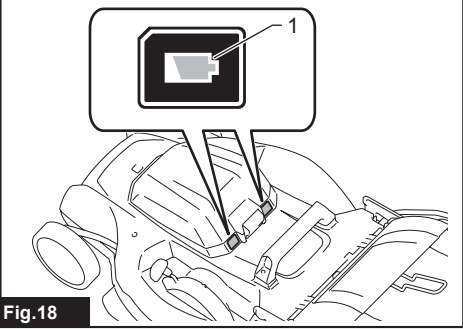


Fig.18

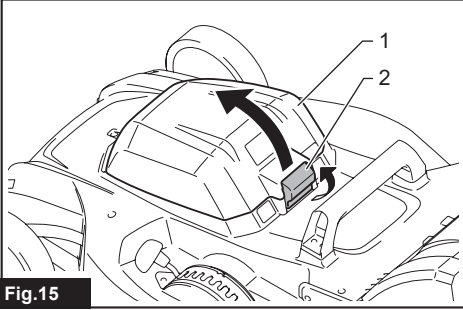


Fig.15

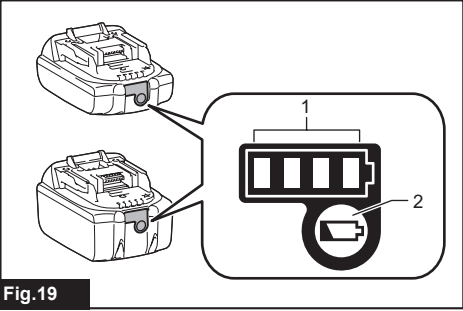


Fig.19

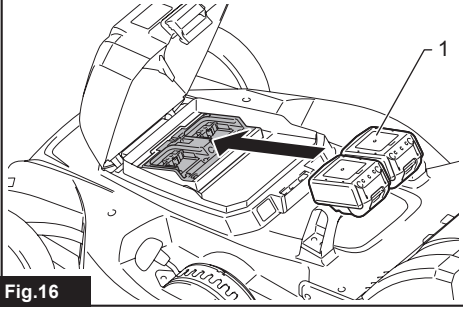


Fig.16

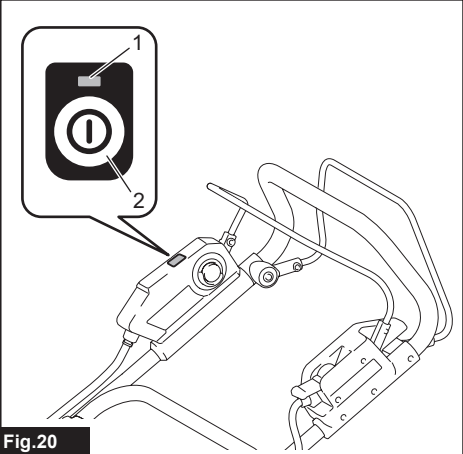


Fig.20

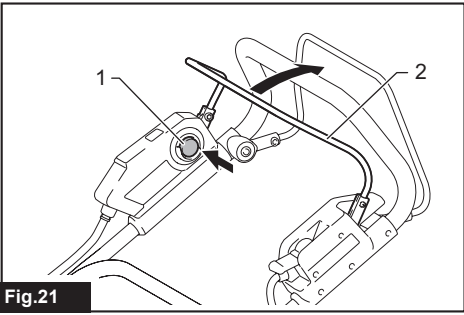


Fig.21

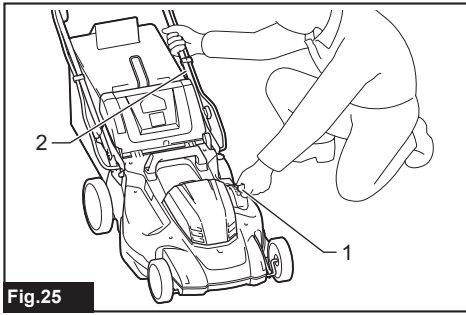


Fig.25

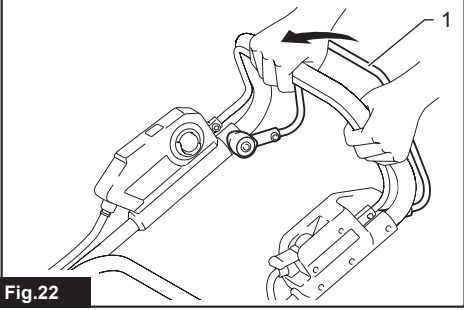


Fig.22

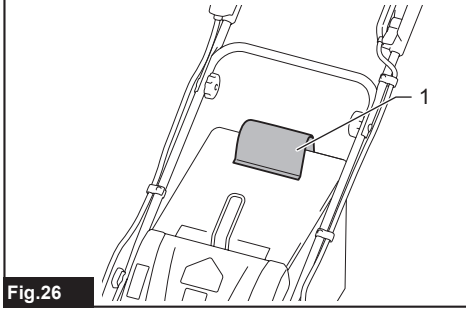


Fig.26

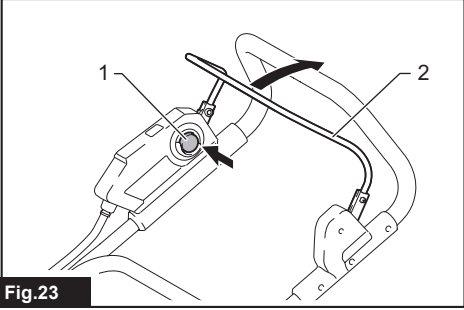


Fig.23

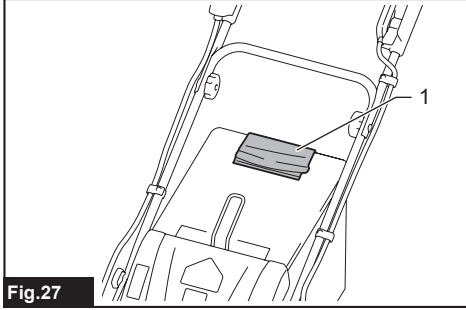


Fig.27

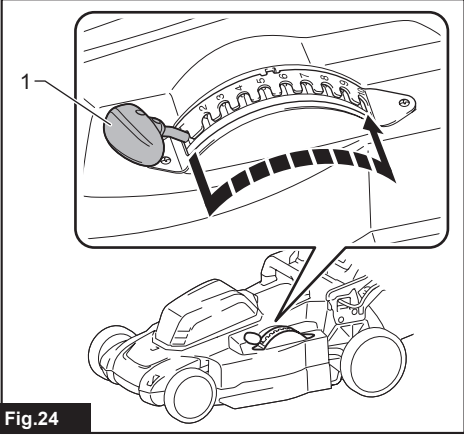


Fig.24

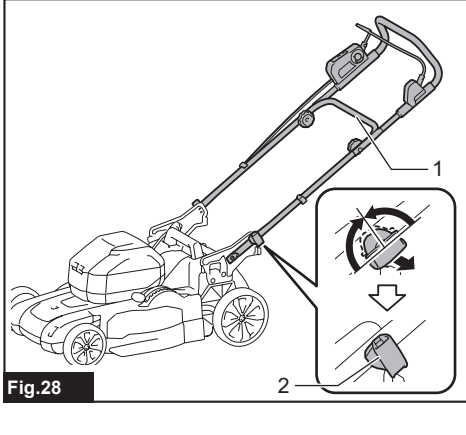


Fig.28

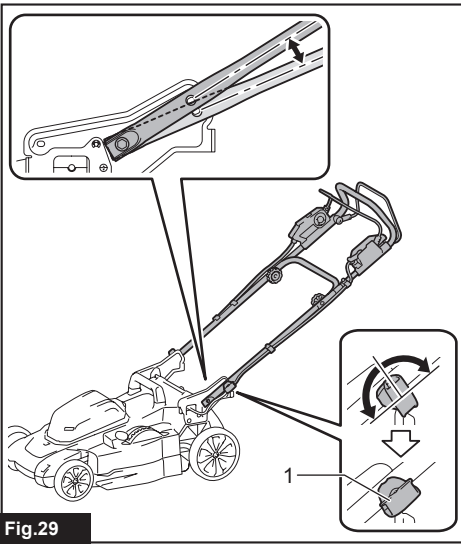


Fig.29

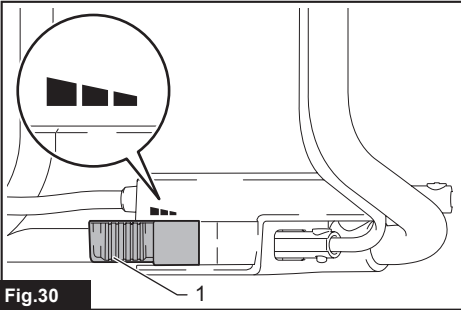


Fig.30

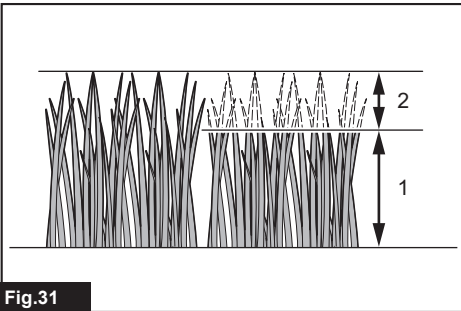


Fig.31



Fig.32

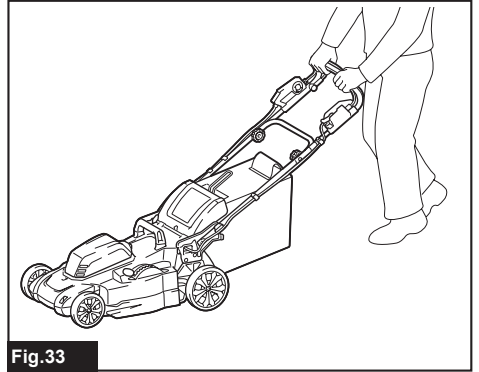


Fig.33

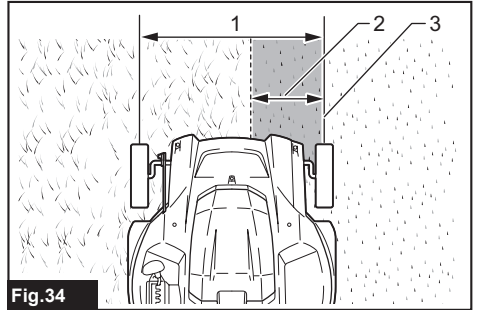


Fig.34

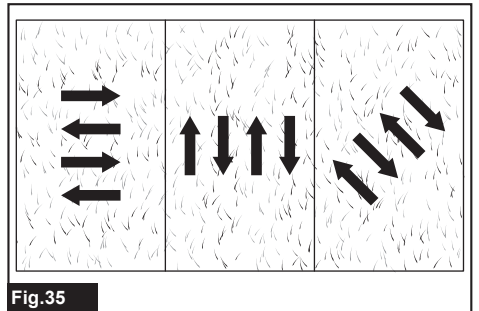
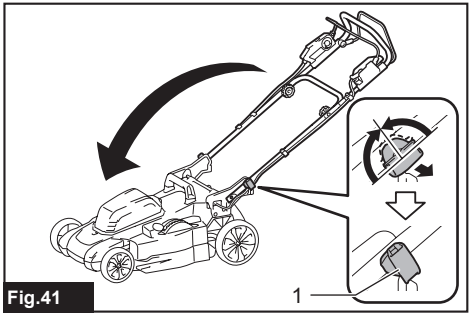
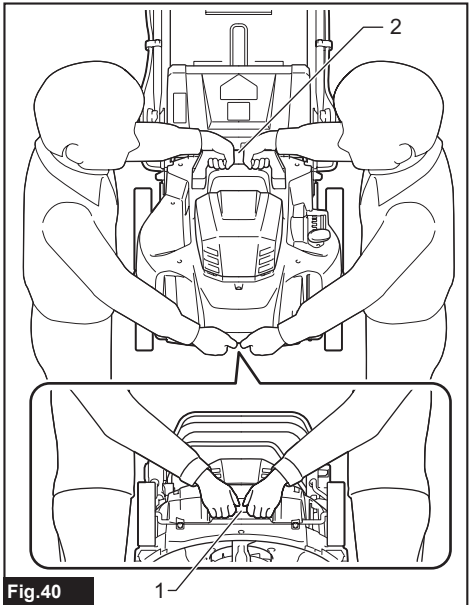
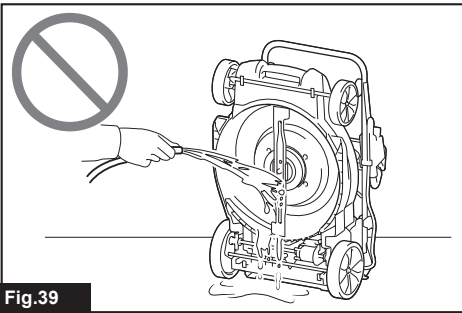
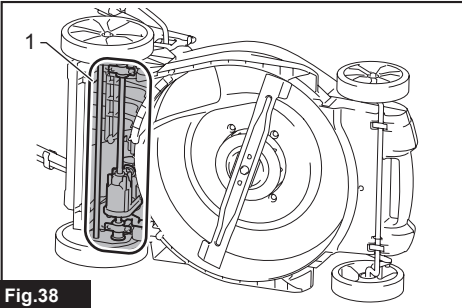
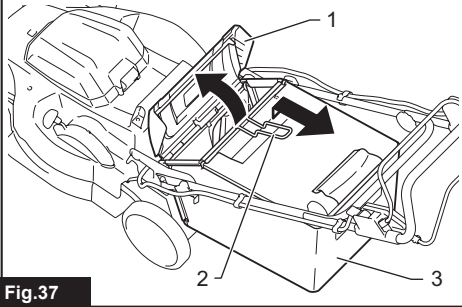
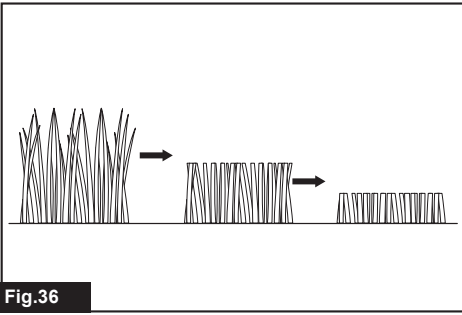


Fig.35



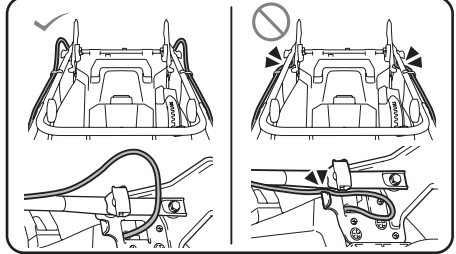
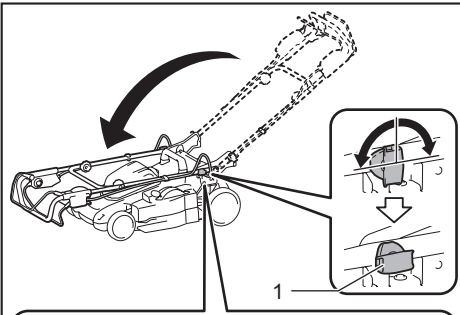


Fig.42

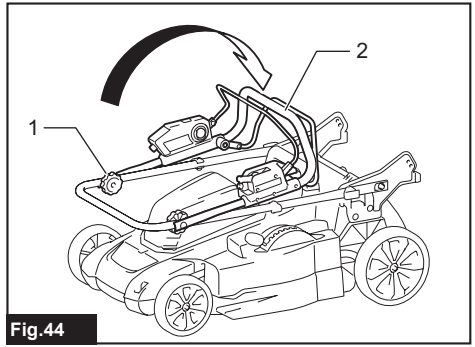


Fig.44

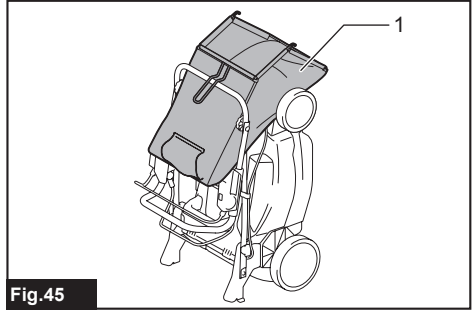


Fig.45

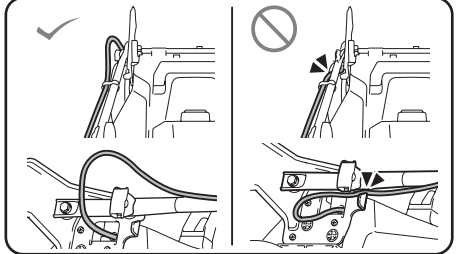
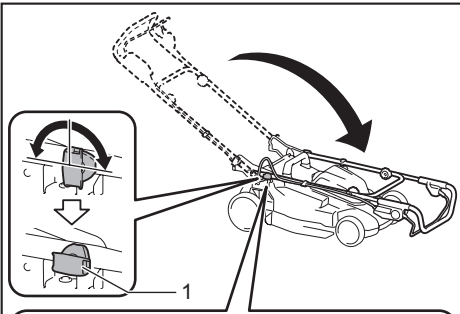


Fig.43

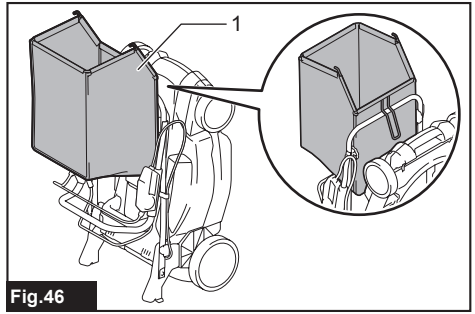


Fig.46

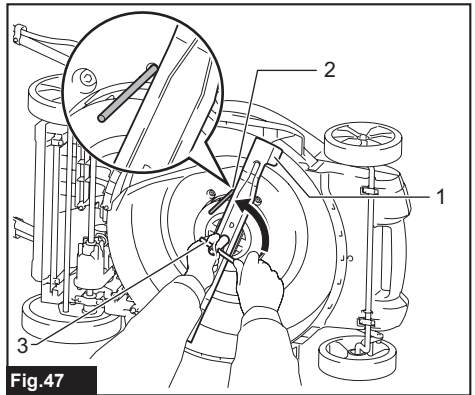


Fig.47

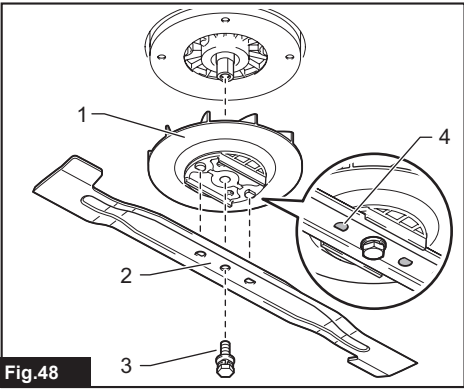


Fig.48

SPECIFICATIONS

Model:		DLM480	DLM481	DLM538	DLM539
Mowing width (blade diameter)		480 mm		534 mm	
No load speed		3,100 min ⁻¹		3,000 min ⁻¹	
Part number of replacement mower blade	Straight mower blade	191V97-3		191V96-5 / 191W87-2	
	Mulching blade	191Y64-6		191Y65-4	
Dimensions (L x W x H)	during operation	L: 1,690 mm to 1,740 mm W: 530 mm H: 930 mm to 1,060 mm		L: 1,810 mm to 1,870 mm W: 580 mm H: 920 mm to 1,040 mm	
	when stored (without grass basket)	580 mm x 530 mm x 870 mm		610 mm x 580 mm x 925 mm	
Traveling speed		-	2.5 - 5.0 km/h	-	2.5 - 5.0 km/h
Rated voltage		D.C. 36 V			
Net weight		24.5 - 26.8 kg	27.0 - 29.3 kg	25.5 - 28.0 kg	27.9 - 30.4 kg
Protection degree		IPX4			

- Due to our continuing program of research and development, the specifications herein are subject to change without notice.
- Specifications may differ from country to country.
- The weight may differ depending on the attachment(s), including the battery cartridge. The lightest and heaviest combinations, according to EPTA-Procedure 01/2014, are shown in the table.

Applicable battery cartridge and charger

Battery cartridge	BL1815N / BL1820B / BL1830B / BL1840B / BL1850B / BL1860B
Charger	DC18RC / DC18RD / DC18RE / DC18SD / DC18SE / DC18SF / DC18SH / DC18WC






- Some of the battery cartridges and chargers listed above may not be available depending on your region of residence.





⚠ WARNING: Only use the battery cartridges and chargers listed above. Use of any other battery cartridges and chargers may cause injury and/or fire.

⚠ WARNING: Do not use a corded power supply such as battery adapter or portable power pack with this machine. The cable of such power supply may hinder the operation and result in personal injury.

Symbols

The followings show the symbols which may be used for the equipment. Be sure that you understand their meaning before use.

	Take particular care and attention.
	Read instruction manual.
	Danger; be aware of thrown objects.
	The distance between the tool and bystanders must be at least 15 m.
	Never put your hands and feet near the mower blade under the mower. Mower blades continue to rotate after the motor is switched off.

	Remove the lock key before inspecting, adjusting, cleaning, servicing, leaving and storing the mower.
	Warning; Disconnect battery before maintenance.
	Electrical hazard. Contact with water can cause electric shock.
	Do not pour water.



Only for EU countries
Due to the presence of hazardous components in the equipment, waste electrical and electronic equipment, accumulators and batteries may have a negative impact on the environment and human health. Do not dispose of electrical and electronic appliances or batteries with household waste!

In accordance with the European Directive on waste electrical and electronic equipment and on accumulators and batteries and waste accumulators and batteries, as well as their adaptation to national law, waste electrical equipment, batteries and accumulators should be stored separately and delivered to a separate collection point for municipal waste, operating in accordance with the regulations on environmental protection.

This is indicated by the symbol of the crossed-out wheeled bin placed on the equipment.



Guaranteed sound power level according to EU Outdoor Noise Directive.



Sound power level according to Australia NSW Noise Control Regulation.

Intended use

The machine is intended for lawn mowing.

Noise

The typical A-weighted noise level determined according to EN IEC 62841-4-3:

Model	Measured sound power level (L_{WA}) : (dB(A))	Guaranteed sound power level (L_{WA}) : (dB(A))
DLM480	92	95
DLM481	92	95
DLM538	95	98
DLM539	95	98

Model	Sound pressure level (L_{pa}) : (dB(A))	Uncertainty for sound pressure level (K) : (dB(A))
DLM480	84	3
DLM481	84	3
DLM538	85	3
DLM539	85	3

NOTE: The declared noise emission value(s) has been measured in accordance with a standard test method and may be used for comparing one tool with another.

NOTE: The declared noise emission value(s) may also be used in a preliminary assessment of exposure.

⚠WARNING: Wear ear protection.

⚠WARNING: The noise emission during actual use of the power tool can differ from the declared value(s) depending on the ways in which the tool is used especially what kind of workpiece is processed.

⚠WARNING: Be sure to identify safety measures to protect the operator that are based on an estimation of exposure in the actual conditions of use (taking account of all parts of the operating cycle such as the times when the tool is switched off and when it is running idle in addition to the trigger time).

Vibration

The vibration total value (tri-axial vector sum) determined according to EN IEC 62841-4-3:

Model DLM480

Vibration emission (a_h) : 2.5 m/s² or less
Uncertainty (K) : 1.5 m/s²

Model DLM481

Vibration emission (a_h) : 2.5 m/s² or less
Uncertainty (K) : 1.5 m/s²

Model DLM538

Vibration emission (a_h) : 2.5 m/s² or less
Uncertainty (K) : 1.5 m/s²

Model DLM539

Vibration emission (a_h) : 2.5 m/s² or less
Uncertainty (K) : 1.5 m/s²

NOTE: The declared vibration total value(s) has been measured in accordance with a standard test method and may be used for comparing one tool with another.

NOTE: The declared vibration total value(s) may also be used in a preliminary assessment of exposure.

⚠WARNING: The vibration emission during actual use of the power tool can differ from the declared value(s) depending on the ways in which the tool is used especially what kind of workpiece is processed.

⚠WARNING: Be sure to identify safety measures to protect the operator that are based on an estimation of exposure in the actual conditions of use (taking account of all parts of the operating cycle such as the times when the tool is switched off and when it is running idle in addition to the trigger time).

Declarations of Conformity

For European countries only

The Declarations of conformity are included in Annex A to this instruction manual.

SAFETY WARNINGS

General power tool safety warnings

⚠ WARNING: Read all safety warnings, instructions, illustrations and specifications provided with this power tool. Failure to follow all instructions listed below may result in electric shock, fire and/or serious injury.

Save all warnings and instructions for future reference.

The term "power tool" in the warnings refers to your mains-operated (corded) power tool or battery-operated (cordless) power tool.

Work area safety

1. **Keep work area clean and well lit.** Cluttered or dark areas invite accidents.
2. **Do not operate power tools in explosive atmospheres, such as in the presence of flammable liquids, gases or dust.** Power tools create sparks which may ignite the dust or fumes.
3. **Keep children and bystanders away while operating a power tool.** Distractions can cause you to lose control.

Electrical safety

1. **Power tool plugs must match the outlet. Never modify the plug in any way. Do not use any adapter plugs with earthed (grounded) power tools.** Unmodified plugs and matching outlets will reduce risk of electric shock.
2. **Avoid body contact with earthed or grounded surfaces, such as pipes, radiators, ranges and refrigerators.** There is an increased risk of electric shock if your body is earthed or grounded.
3. **Do not operate the power tool in rain or wet conditions.** This may increase the risk of electric shock.
4. **Do not abuse the cord. Never use the cord for carrying, pulling or unplugging the power tool. Keep cord away from heat, oil, sharp edges or moving parts.** Damaged or entangled cords increase the risk of electric shock.
5. **When operating a power tool outdoors, use an extension cord suitable for outdoor use.** Use of a cord suitable for outdoor use reduces the risk of electric shock.
6. **If operating a power tool in a damp location is unavoidable, use a residual current device (RCD) protected supply.** Use of an RCD reduces the risk of electric shock.
7. **Power tools can produce electromagnetic fields (EMF) that are not harmful to the user.** However, users of pacemakers and other similar medical devices should contact the maker of their device and/or doctor for advice before operating this power tool.

Personal safety

1. **Stay alert, watch what you are doing and use common sense when operating a power tool. Do not use a power tool while you are tired or under the influence of drugs, alcohol or medication.** A moment of inattention while operating power tools may result in serious personal injury.

2. **Use personal protective equipment. Always wear eye protection.** Protective equipment such as a dust mask, non-skid safety shoes, hard hat or hearing protection used for appropriate conditions will reduce personal injuries.
3. **Prevent unintentional starting. Ensure the switch is in the off-position before connecting to power source and/or battery pack, picking up or carrying the tool.** Carrying power tools with your finger on the switch or energising power tools that have the switch on invites accidents.
4. **Remove any adjusting key or wrench before turning the power tool on.** A wrench or a key left attached to a rotating part of the power tool may result in personal injury.
5. **Do not overreach. Keep proper footing and balance at all times.** This enables better control of the power tool in unexpected situations.
6. **Dress properly. Do not wear loose clothing or jewellery. Keep your hair and clothing away from moving parts.** Loose clothes, jewellery or long hair can be caught in moving parts.
7. **If devices are provided for the connection of dust extraction and collection facilities, ensure these are connected and properly used.** Use of dust collection can reduce dust-related hazards.
8. **Do not let familiarity gained from frequent use of tools allow you to become complacent and ignore tool safety principles.** A careless action can cause severe injury within a fraction of a second.
9. **Always wear protective goggles to protect your eyes from injury when using power tools. The goggles must comply with ANSI Z87.1 in the USA, EN 166 in Europe, or AS/NZS 1336 in Australia/New Zealand. In Australia/New Zealand, it is legally required to wear a face shield to protect your face, too.**



It is an employer's responsibility to enforce the use of appropriate safety protective equipments by the tool operators and by other persons in the immediate working area.

Power tool use and care

1. **Do not force the power tool. Use the correct power tool for your application.** The correct power tool will do the job better and safer at the rate for which it was designed.
2. **Do not use the power tool if the switch does not turn it on and off.** Any power tool that cannot be controlled with the switch is dangerous and must be repaired.

3. **Disconnect the plug from the power source and/or remove the battery pack, if detachable, from the power tool before making any adjustments, changing accessories, or storing power tools.** Such preventive safety measures reduce the risk of starting the power tool accidentally.
4. **Store idle power tools out of the reach of children and do not allow persons unfamiliar with the power tool or these instructions to operate the power tool.** Power tools are dangerous in the hands of untrained users.
5. **Maintain power tools and accessories. Check for misalignment or binding of moving parts, breakage of parts and any other condition that may affect the power tool's operation. If damaged, have the power tool repaired before use.** Many accidents are caused by poorly maintained power tools.
6. **Keep cutting tools sharp and clean.** Properly maintained cutting tools with sharp cutting edges are less likely to bind and are easier to control.
7. **Use the power tool, accessories and tool bits etc. in accordance with these instructions, taking into account the working conditions and the work to be performed.** Use of the power tool for operations different from those intended could result in a hazardous situation.
8. **Keep handles and grasping surfaces dry, clean and free from oil and grease.** Slippery handles and grasping surfaces do not allow for safe handling and control of the tool in unexpected situations.
9. **When using the tool, do not wear cloth work gloves which may be entangled.** The entanglement of cloth work gloves in the moving parts may result in personal injury.

Battery tool use and care

1. **Recharge only with the charger specified by the manufacturer.** A charger that is suitable for one type of battery pack may create a risk of fire when used with another battery pack.
2. **Use power tools only with specifically designated battery packs.** Use of any other battery packs may create a risk of injury and fire.
3. **When battery pack is not in use, keep it away from other metal objects, like paper clips, coins, keys, nails, screws or other small metal objects, that can make a connection from one terminal to another.** Shorting the battery terminals together may cause burns or a fire.
4. **Under abusive conditions, liquid may be ejected from the battery; avoid contact. If contact accidentally occurs, flush with water. If liquid contacts eyes, additionally seek medical help.** Liquid ejected from the battery may cause irritation or burns.
5. **Do not use a battery pack or tool that is damaged or modified.** Damaged or modified batteries may exhibit unpredictable behaviour resulting in fire, explosion or risk of injury.
6. **Do not expose a battery pack or tool to fire or excessive temperature.** Exposure to fire or temperature above 130 °C may cause explosion.
7. **Follow all charging instructions and do not charge the battery pack or tool outside the temperature range specified in the instructions.** Charging improperly or at temperatures outside the specified range may damage the battery and increase the risk of fire.

Service

1. **Have your power tool serviced by a qualified repair person using only identical replacement parts.** This will ensure that the safety of the power tool is maintained.
2. **Never service damaged battery packs.** Service of battery packs should only be performed by the manufacturer or authorized service providers.
3. **Follow instruction for lubricating and changing accessories.**

Cordless lawnmower safety warnings

1. **Do not use the lawnmower in bad weather conditions, especially when there is a risk of lightning.** This decreases the risk of being struck by lightning.
2. **Thoroughly inspect the area for wildlife where the lawnmower is to be used.** Wildlife may be injured by the lawnmower during operation.
3. **Thoroughly inspect the area where the lawnmower is to be used and remove all stones, sticks, wires, bones, and other foreign objects.** Thrown objects can cause personal injury.
4. **Before using the lawnmower, always visually inspect to see that the blade and the blade assembly are not worn or damaged.** Worn or damaged parts increase the risk of injury.
5. **Check the grass catcher frequently for wear or deterioration.** A worn or damaged grass catcher may increase the risk of personal injury.
6. **Keep guards in place. Guards must be in working order and be properly mounted.** A guard that is loose, damaged, or is not functioning correctly may result in personal injury.
7. **Keep all cooling air inlets clear of debris.** Blocked air inlets and debris may result in overheating or risk of fire.
8. **While operating the lawnmower, always wear non-slip and protective footwear. Do not operate the lawnmower when barefoot or wearing open sandals.** This reduces the chance of injury to the feet from contact with the moving blade.
9. **While operating the lawnmower, always wear long trousers.** Exposed skin increases the likelihood of injury from thrown objects.
10. **Do not operate the lawnmower in wet grass. Walk, never run.** This reduces the risk of slipping and falling which may result in personal injury.
11. **Do not operate the lawnmower on excessively steep slopes.** This reduces the risk of loss of control, slipping and falling which may result in personal injury.
12. **When working on slopes, always be sure of your footing, always work across the face of slopes, never up or down and exercise extreme caution when changing direction.** This reduces the risk of loss of control, slipping and falling which may result in personal injury.
13. **Use extreme caution when reversing or pulling the lawnmower towards you. Always be aware of your surroundings.** This reduces the risk of tripping during operation.

14. **Do not touch blades and other hazardous moving parts while they are still in motion.** This reduces the risk of injury from moving parts.
15. **When clearing jammed material or cleaning the lawnmower, make sure all power switches are off and the battery pack is disconnected.** Unexpected operation of the lawnmower may result in serious personal injury.

Additional safety warnings

Training

1. **Read the instructions carefully. Be familiar with the controls and the proper use of the mower.**
2. **Never allow children or people unfamiliar with these instructions to use the mower.** Local regulations can restrict the age of the operator.
3. **Never operate the mower while people, especially children, or pets are nearby.**
4. **Keep in mind that the operator or user is responsible for accidents or hazards occurring to other people or their property.**

Preparation

1. **Be sure the area is clear of other people before mowing. Stop mower if anyone enters the area.**
2. **Do not insert the lock key into mower until it is ready to be used.**
3. **Watch for holes, ruts, bumps, rocks, or other hidden objects.** Uneven terrain could cause a slip and fall accident. Tall grass can hide obstacles.
4. **Do not insert or remove the lock key in the rain.**

Operation

1. **Stop the mower and remove the lock key, and make sure that all moving parts have come to a complete stop**
 - whenever you leave the mower;
 - before clearing blockages or unclogging chute;
 - before checking, cleaning or working on the mower.
2. **If the mower strikes a foreign object, follow these steps:**
 - **Stop the mower, release the switch lever and wait until the blade comes to a complete stop.**
 - **Remove the lock key and the battery cartridge.**
 - **Thoroughly inspect the mower for any damage.**
 - **Replace the blade if it is damaged in any way. Repair any damage before restarting and continuing to operate the mower.**
3. **If the mower starts to vibrate abnormally or you notice anything unusual, follow these steps immediately:**
 - **Stop the mower, release the switch lever and wait until the blade comes to a complete stop.**
 - **Remove the lock key and the battery cartridge.**

- **Inspect for damage and replace or repair any damaged parts.**
 - **Check for and tighten any loose parts.**
4. **Never operate the mower with defective guards or shields, or without safety devices, for example deflectors and/or grass basket, in place.**
 5. **Operate the mower only in daylight or in good artificial light.**
 6. **Switch on the mower carefully according to instructions and with feet well away from the blade(s).**
 7. **Take care against injury to feet and hands from the mower blades.**
 8. **Stop the blade(s) if the mower has to be tilted for transportation when crossing surfaces other than grass, and when transporting the mower to and from the area to be used.**
 9. **Do not tilt the mower when switching on the motor, except if the mower has to be tilted for starting. In this case, do not tilt it more than absolutely necessary and lift only the part, which is away from the operator. Always ensure that both hands are in the operating position before returning the mower to the ground.**
 10. **Do not put hands or feet near or under rotating parts. Keep clear of the discharge opening at all times.**
 11. **Always keep a firm hold on the handle.**
 12. **Don't grasp the exposed cutting blades or cutting edges when picking up or holding the mower.**
 13. **Keep hands and feet away from rotating blades. Caution - Blades coast after the mower is switched off.**
 14. **Never attempt to make cutting height adjustments while mower is running if the mower has cutting height adjustment feature.**
 15. **Release switch lever and wait for blade rotation to stop before crossing driveways, walks, roads, and any gravel-covered areas. Also remove the lock key if you leave the mower, reach to pick up or remove something out of your way, or for any other reason that may distract you from what you are doing.**
 16. **Do not start the mower when standing in front of the discharge opening.**
 17. **Never direct discharged material toward anyone. Avoid discharging material against a wall or obstruction. Material may ricochet back toward the operator. Stop the blade when crossing gravel surfaces.**
 18. **Do not pull the mower backwards unless absolutely necessary. When you are compelled to back the mower from a fence or other similar obstruction, look down and behind before and while moving backwards.**
 19. **Shut the motor off and wait until the blade comes to a complete stop before removing the grass catcher. Beware that the blades coast after turn off.**

20. **When you use the machine on muddy ground, wet slope, or slippery place, pay attention to your footing.**
21. **Avoid working in poor environment where increased user fatigue is expected.**
22. **Do not use the machine in bad weather where visibility is limited.** Failure to do so may cause fall or incorrect operation due to low visibility.
23. **Do not submerge the machine into a puddle.**
24. **When wet leaves or dirt adhere to the suction mouth (ventilation window) due to rain, remove them.**
25. **Do not use the machine in the snow.**
26. **If the cut-off grass is wet, it is likely to be clogged inside of the machine. Check the condition of the machine regularly, and remove the adhered grass as necessary.**
27. **When operating the machine, pay attention to piping and wiring.**

Maintenance and storage

1. **Inspect and maintain the mower regularly.**
2. **Keep all nuts, bolts, and screws tight to be sure the equipment is in safe working condition.**
3. **Check the grass basket frequently for wear or deterioration. For storage, always make sure the grass basket is empty. Replace a worn grass basket with a new factory replacement for safety.**
4. **Use only the manufacturer genuine blades specified in this manual.**
5. **Be careful during adjustment of the mower to prevent entrapment of the fingers between moving blades and fixed parts of the mower.**
6. **Check the blade mounting bolt at frequent intervals for proper tightness.**
7. **Always allow the mower to cool down before storing.**
8. **When servicing the blades be aware that, even though the power source is switched off, the blades can still be moved.**
9. **Never remove or tamper with safety devices. Check their proper operation regularly. Never do anything to interfere with the intended function of a safety device or to reduce the protection provided by a safety device.**
10. **Do not leave the machine unattended outdoors in the rain.**
11. **Do not wash the machine with high pressure water.**
12. **When washing the machine, be sure to remove the battery and lock key and close the battery cover, and pour water toward the bottom of the machine to which the blade is attached.**
13. **When storing the machine, avoid direct sunlight and rain, and store it in a place where it does not get hot or humid.**
14. **Perform inspection or maintenance in a place where rain can be avoided.**
15. **After using the machine, remove the adhered dirt and dry the machine completely before storing.** Depending on the season or the area, there is a risk of malfunction due to freezing.

Electrical and battery safety

1. **Do not open or mutilate the battery(ies).** Released electrolyte is corrosive and may cause damage to the eyes or skin. It may be toxic if swallowed.
2. **Do not charge battery in rain, or in wet locations.**
3. **Do not charge the battery outdoors.**
4. **Do not handle charger, including charger plug, and charger terminals with wet hands.**
5. **Do not replace the battery in the rain.**
6. **Do not wet the terminal of battery with liquid such as water, or submerge the battery. Do not leave the battery in the rain, nor charge, use, or store the battery in a damp or wet place.** If the terminal gets wet or liquid enters inside of battery, the battery may be short circuited and there is a risk of overheat, fire, or explosion.
7. **After removing the battery from the machine or charger, be sure to attach the battery cover to the battery and store it in a dry place.**
8. **Do not replace the battery with wet hands.**
9. **Avoid dangerous environment. Don't use the machine in dump or wet locations or expose it to rain.** Water entering the machine will increase the risk of electric shock.
10. **If the battery cartridge gets wet, drain the water inside and then wipe it with a dry cloth. Dry the battery cartridge completely in a dry place before use.**

SAVE THESE INSTRUCTIONS.

⚠WARNING: DO NOT let comfort or familiarity with product (gained from repeated use) replace strict adherence to safety rules for the subject product. MISUSE or failure to follow the safety rules stated in this instruction manual may cause serious personal injury.

Important safety instructions for battery cartridge

1. **Before using battery cartridge, read all instructions and cautionary markings on (1) battery charger, (2) battery, and (3) product using battery.**
2. **Do not disassemble or tamper with the battery cartridge.** It may result in a fire, excessive heat, or explosion.
3. **If operating time has become excessively shorter, stop operating immediately.** It may result in a risk of overheating, possible burns and even an explosion.
4. **If electrolyte gets into your eyes, rinse them out with clear water and seek medical attention right away.** It may result in loss of your eyesight.
5. **Do not short the battery cartridge:**
 - (1) **Do not touch the terminals with any conductive material.**
 - (2) **Avoid storing battery cartridge in a container with other metal objects such as nails, coins, etc.**
 - (3) **Do not expose battery cartridge to water or rain.**

A battery short can cause a large current flow, overheating, possible burns and even a breakdown.

- Do not store and use the tool and battery cartridge in locations where the temperature may reach or exceed 50 °C (122 °F).
- Do not incinerate the battery cartridge even if it is severely damaged or is completely worn out. The battery cartridge can explode in a fire.
- Do not nail, cut, crush, throw, drop the battery cartridge, or hit against a hard object to the battery cartridge. Such conduct may result in a fire, excessive heat, or explosion.
- Do not use a damaged battery.
- The contained lithium-ion batteries are subject to the Dangerous Goods Legislation requirements.
For commercial transports e.g. by third parties, forwarding agents, special requirement on packaging and labeling must be observed.
For preparation of the item being shipped, consulting an expert for hazardous material is required.
Please also observe possibly more detailed national regulations.
Tape or mask off open contacts and pack up the battery in such a manner that it cannot move around in the packaging.
- When disposing the battery cartridge, remove it from the tool and dispose of it in a safe place. Follow your local regulations relating to disposal of battery.
- Use the batteries only with the products specified by Makita. Installing the batteries to non-compliant products may result in a fire, excessive heat, explosion, or leak of electrolyte.
- If the tool is not used for a long period of time, the battery must be removed from the tool.
- During and after use, the battery cartridge may take on heat which can cause burns or low temperature burns. Pay attention to the handling of hot battery cartridges.
- Do not touch the terminal of the tool immediately after use as it may get hot enough to cause burns.
- Do not allow chips, dust, or soil stuck into the terminals, holes, and grooves of the battery cartridge. It may cause heating, catching fire, burst and malfunction of the tool or battery cartridge, resulting in burns or personal injury.
- Unless the tool supports the use near high-voltage electrical power lines, do not use the battery cartridge near high-voltage electrical power lines. It may result in a malfunction or breakdown of the tool or battery cartridge.
- Keep the battery away from children.

SAVE THESE INSTRUCTIONS.

CAUTION: Only use genuine Makita batteries. Use of non-genuine Makita batteries, or batteries that have been altered, may result in the battery bursting causing fires, personal injury and damage. It will also void the Makita warranty for the Makita tool and charger.

Tips for maintaining maximum battery life

- Charge the battery cartridge before completely discharged. Always stop tool operation and charge the battery cartridge when you notice less tool power.
- Never recharge a fully charged battery cartridge. Overcharging shortens the battery service life.
- Charge the battery cartridge with room temperature at 10 °C - 40 °C (50 °F - 104 °F). Let a hot battery cartridge cool down before charging it.
- When not using the battery cartridge, remove it from the tool or the charger.
- Charge the battery cartridge if you do not use it for a long period (more than six months).

ASSEMBLY

WARNING: Always be sure that the lock key and battery cartridge are removed before carrying out any work on the mower. Failure to remove the lock key and the battery cartridge may result in serious personal injury from accidental start-up.

WARNING: Never start the mower unless it is completely assembled. Operation of the machine in a partially assembled state may result in serious personal injury from accidental start-up.

Installing the handle

NOTICE: When installing the handles, be careful not to pinch the cord between the handles. If the cord is damaged, the mower switch may not work.

- Align the hole in the lower handle with the hole in the upper handle, then insert the bolt from outside, and then tighten the thumb nut from inside. Perform the same procedure on the other side.

For DLM481/DLM539

- Fig.1: 1. Bolt 2. Thumb nut 3. Lower handle
4. Upper handle

For DLM480/DLM538

- Fig.2: 1. Bolt 2. Thumb nut 3. Lower handle
4. Upper handle

- Turn the knob 90° while pulling the knob on the lower handle to release the locking pin. Perform the same procedure on the other side. Raise the handle, and then turn the knob on both sides 90°. Make sure that the knobs are securely fixed.

- Fig.3: 1. Knob

NOTE: Supporting the handle makes it easier to release the locking pin when pulling the knob.

Removing the mulching plug

1. Open the rear cover.
▶ **Fig.4:** 1. Rear cover
2. Lift up the mulching plug slightly, and then remove it.
▶ **Fig.5:** 1. Mulching plug

Assembling the grass basket

1. Pick up the upper clip of the grass basket.
▶ **Fig.6:** 1. Upper clip
2. Insert the frame into the grass basket as far as it will go while holding the handle of the frame.
▶ **Fig.7:** 1. Handle

NOTICE: Do not insert the handle into the grass basket. Be sure to insert the frame along the stitch of the grass basket.

3. Make sure that there is no sagging on the corners of the grass basket.
▶ **Fig.8**
4. Open the upper clip, and attach it to the frame.
▶ **Fig.9**
5. Attach all the other clips as shown in the figure. Make sure that all the clips are securely attached to the frame.
▶ **Fig.10:** 1. Clip

Installing or removing the grass basket

To install the grass basket, follow the steps below.

1. Open the rear cover.
▶ **Fig.11:** 1. Rear cover
2. Hold the handle of the grass basket, and then hook the grass basket on the rod of the mower body as shown in the figure.
▶ **Fig.12:** 1. Grass basket 2. Handle 3. Rod

To remove the grass basket, open the rear cover, and then remove the grass basket by holding the handle.

Attaching the mulching plug

1. Open the rear cover, and then remove the grass basket.
▶ **Fig.13:** 1. Rear cover 2. Grass basket
2. Attach the mulching plug by pushing it as far as it will go so that the protrusions on the mulching plug fit into the holes on the machine.
▶ **Fig.14:** 1. Mulching plug 2. Protrusion

FUNCTIONAL DESCRIPTION

Installing or removing battery cartridge

CAUTION: Always switch off the machine before installing or removing of the battery cartridge.

CAUTION: Hold the machine and the battery cartridge firmly when installing or removing battery cartridge. Failure to hold the machine and the battery cartridge firmly may cause them to slip off your hands and result in damage to the machine and battery cartridge and a personal injury.

CAUTION: Make sure that you lock the battery cover before use. Otherwise, mud, dirt, or water may cause damage to the product or the battery cartridge.

CAUTION: Always install the battery cartridge fully until the red indicator cannot be seen. If not, it may accidentally fall out of the machine, causing injury to you or someone around you.

CAUTION: Do not install the battery cartridge forcibly. If the cartridge does not slide in easily, it is not being inserted correctly.

CAUTION: Hold the battery cover firmly when installing or removing the battery cartridge.

NOTE: The machine does not work with only one battery cartridge.

To install the battery cartridge;

1. Pull up the locking lever, and then open the battery cover.
▶ **Fig.15:** 1. Battery cover 2. Locking lever
2. Align the tongue on the battery cartridge with the slot on the machine, and then slide the cartridge until it locks in place with a little click.
▶ **Fig.16:** 1. Battery cartridge
3. Insert the lock key in the place shown in the figure as far as it will go.
▶ **Fig.17:** 1. Lock key

4. Close the battery cover and push it until it is latched with the locking lever.

To remove the battery cartridge;

1. Pull up the locking lever and open the battery cover.
2. Pull out the battery cartridge from the machine while sliding the button on the front of the cartridge.
3. Pull out the lock key.
4. Close the battery cover.

Machine / battery protection system

The machine is equipped with a machine/battery protection system. This system automatically cuts off power to the motor to extend machine and battery life. The machine will automatically stop during operation if the machine or battery is placed under one of the following conditions:

Overload protection

When the battery is operated in a manner that causes it to draw an abnormally high current, the machine automatically stops and the main power lamp blinks in green. In this situation, turn the machine off and stop the application that caused the machine to become overloaded. Then turn the machine on to restart.

Overheat protection

When the machine or battery is overheated, the machine stops automatically and the main power lamp lights up in red. In this case, let the machine and battery cool before turning the machine on again.

Overdischarge protection

When the battery capacity is not enough, the machine stops automatically and the main power lamp blinks in red. In this case, remove the battery from the machine and charge the battery cartridges or change the battery cartridges to fully charged ones.

Protections against other causes

Protection system is also designed for other causes that could damage the machine and allows the machine to stop automatically. Take all the following steps to clear the causes, when the machine has been brought to a temporary halt or stop in operation.

1. Turn the machine off, and then turn it on again to restart.
2. Charge the battery(ies) or replace it/them with recharged battery(ies).
3. Let the machine and battery(ies) cool down.

If no improvement can be found by restoring protection system, then contact your local Makita Service Center.

NOTICE: If the machine stops due to a cause not described above, refer to the section for troubleshooting.

Indicating the remaining battery capacity

► Fig.18: 1. Battery indicator

When the remaining battery capacity gets low, the battery indicator blinks on the applicable battery side. By further use, the machine stops and the battery indicator lights up. In this situation, charge the battery cartridge.

Indicating the remaining battery capacity

Only for battery cartridges with the indicator

Press the check button on the battery cartridge to indicate the remaining battery capacity. The indicator lamps light up for a few seconds.

► Fig.19: 1. Indicator lamps 2. Check button

Indicator lamps			Remaining capacity
Lighted	Off	Blinking	
■ ■ ■ ■			75% to 100%
■ ■ ■ □			50% to 75%
■ ■ □ □			25% to 50%
■ □ □ □			0% to 25%
▣ □ □ □			Charge the battery.
■ ■ □ □			The battery may have malfunctioned.
□ □ ■ ■			

NOTE: Depending on the conditions of use and the ambient temperature, the indication may differ slightly from the actual capacity.

NOTE: The first (far left) indicator lamp will blink when the battery protection system works.

Main power switch

WARNING: Always turn off the main power switch when not in use.

► Fig.20: 1. Main power lamp 2. Main power switch

To turn on the machine, press the main power switch. The main power lamp lights up in green. To turn off the machine, press the main power switch again.

NOTE: If the main power lamp lights up in red or blinks in red or green, refer to the instructions for machine/battery protection system.

NOTE: This machine employs the auto power-off function. To avoid unintentional start up, the main power switch will automatically shut down when the switch lever and drive lever (if equipped) are not pulled for a certain period after the main power switch is turned on.

Switch action

⚠ WARNING: Before installing the battery cartridge, always check to see that the switch lever actuates properly and returns to the original position when released. Operating the machine with a switch that does not actuate properly can lead to loss of control and serious personal injury.

NOTE: The mower does not start without pressing the switch button even the switch lever is pulled.

NOTE: Mower may not start due to the overload when you try to mow long or dense grass at a time. Increase the mowing height in this case.

This mower is equipped with the lock key and handle switch. If you notice anything unusual with either of the lock key or switch, stop the operation immediately and have them checked by your nearest Makita Authorized Service Center.

For DLM481/DLM539

1. Install the battery cartridges. Insert the lock key, and then close the battery cover.
2. Press the main power switch.
3. Pull the switch lever toward you while holding down the switch button. Release the switch button as soon as the motor starts running.
▶ **Fig.21:** 1. Switch button 2. Switch lever
4. While holding the switch lever, push the drive lever forward and hold it to drive the rear wheels.
▶ **Fig.22:** 1. Drive lever

NOTE: You can drive the rear wheels by pushing the drive lever forward and hold it without pulling the switch lever.

5. Release the drive lever and the switch lever to stop the machine.

For DLM480/DLM538

1. Install the battery cartridges. Insert the lock key, and then close the battery cover.
2. Press the main power switch.
3. Pull the switch lever toward you while holding down the switch button. Release the switch button as soon as the motor starts running.
▶ **Fig.23:** 1. Switch button 2. Switch lever
4. Release the switch lever to stop the motor.

Adjusting the mowing height

⚠ WARNING: Never put your hand or leg under the mower body when adjusting the mowing height.

⚠ WARNING: Always make sure that the lever fits in the groove properly before operation.

The mowing height can be adjusted in the range of between 20 mm and 100 mm.

Remove the lock key, and then pull the mowing height adjusting lever outward of the mower body and move it to your desired mowing height.

- ▶ **Fig.24:** 1. Mowing height adjusting lever

The table below shows the relationship between the number on the mower body and the approximate mowing height.

Number	Mowing height
1	20 mm
2	26 mm
3	32 mm
4	40 mm
5	49 mm
6	59 mm
7	70 mm
8	81 mm
9	92 mm
10	100 mm

Hold the lower handle with one hand, and then move the mowing height adjusting lever with the other hand.

- ▶ **Fig.25:** 1. Mowing height adjusting lever 2. Lower handle

NOTE: The mowing height figures should be used just as a guideline. Depending on the conditions of the lawn or the ground, the actual lawn height may become slightly different from the set height.

NOTE: Try a test mowing of grass in a less conspicuous place to get your desired height.

Grass level indicator

Grass level indicator shows the volume of mowed grass. When the grass basket is not full, the indicator floats while the blades are running.

- ▶ **Fig.26:** 1. Grass level indicator

When the grass basket is almost full, the indicator does not float while the blades are running. In this case, stop the operation immediately and empty the basket.

- ▶ **Fig.27:** 1. Grass level indicator

NOTE: This indicator is a rough guide. Depending on the conditions of inside of the basket, this indicator may not work properly.

Adjusting the handle height

The handle height can be adjusted in two levels.

1. Hold the lower handle, and then turn the knob 90° while pulling the knob on the lower handle to release the locking pin. Perform the same procedure on the other side.
▶ **Fig.28:** 1. Lower handle 2. Knob

NOTE: Supporting the handle makes it easier to release the locking pin when pulling the knob.

2. Adjust the handle height, and then turn the knob on both sides 90°. Make sure that the knobs are securely fixed.
▶ **Fig.29:** 1. Knob

Adjusting the traveling speed

For DLM481/DLM539

- ▶ **Fig.30:** 1. Speed lever

The traveling speed can be adjusted with the speed lever. To decrease the speed, pull the lever toward you, and to increase the speed, turn the lever forward.

Using mulching plug

The mulching plug allows you to return the cut grass to the ground without gathering the cut grass in the grass basket. When you operate the machine with the mulching plug, be sure to remove the grass basket.

NOTICE: When using the machine with the mulching plug, make sure that the total length of grass after cutting is 30 mm or more, and the cut length is 15 mm or less.

► Fig.31: (1) 30 mm or more (2) 15 mm or less

Using the rear discharge

Using the rear discharge allows you to discharge the cut grass to the ground from the rear side of the machine without gathering the cut grass in the grass basket. When you operate the machine using the rear discharge, be sure to remove the grass basket and mulching plug, and close the rear cover.

Electronic function

The machine is equipped with the electronic functions for easy operation.

- Soft start at driving
The soft-start function minimizes start-up shock, and makes the machine start smoothly.
- Electric brake
This machine is equipped with an electric brake. If the machine consistently fails to quickly stop the mower blades after releasing the switch lever, have the machine serviced at Makita Authorized Service Center.

OPERATION

Mowing

⚠ WARNING: Before mowing, clear away sticks and stones from mowing area. Furthermore, clear away any weeds from mowing area in advance.

⚠ WARNING: Always wear the safety goggles or safety glasses with side shields when operating the mower.

⚠ CAUTION: If the cut grass or foreign object blocks up inside of the mower body, be sure to remove the lock key and battery cartridge and wear gloves before removing the grass or foreign object.

NOTICE: Use this machine for mowing lawn only. Do not mow weeds with this machine.

► Fig.32

Firmly hold the handle with both hands when mowing. The mowing speed guideline is approximately 7 to 14 meters per 10 seconds.

► Fig.33

NOTE: When cutting long lawn or dense lawn, if the unevenness in the length of lawn or poor finish is found after mowing, or decrease of the motor speed is found during mowing, decrease the mowing speed lower than recommended in this manual, or raise the mowing height.

The center lines of the front wheels are guidelines to mowing width. Using the center lines as guidelines, mow in strips. Overlap by one half to one third the previous strip to mow the lawn evenly.

► Fig.34: 1. Mowing width 2. Overlapping area
3. Center line

Change the mowing direction each time to prevent the grass grain pattern from forming in just one direction.

► Fig.35

Periodically check the grass basket for mowed grass. Empty the grass before it becomes full. Before every periodical check, be sure to stop the mower then remove the lock key and the battery cartridge.

NOTICE: Using the mower with the grass basket full prevents smooth blade rotation and places an extra load on the motor, which may cause breakdown.

Mowing long lawn

Do not try to cut long lawn all at once. Instead, mow the lawn in steps. Leave a day or two between mowings until the lawn becomes evenly short.

► Fig.36

NOTE: Mowing long lawn to short length all at once may cause the lawn to die. The cut lawn may also block up inside of the mower body.

NOTE: If the unevenness in the length of lawn or poor finish is found after mowing, or decrease of the motor speed is found during mowing, decrease the mowing speed, or raise the mowing height.

Emptying the grass basket

⚠ WARNING: To reduce a risk of accident, regularly check the grass basket for any damage or weakened strength. Replace the grass basket if necessary.

1. Release the switch lever and drive lever (for DLM481/DLM539), or release the switch lever (for DLM480/DLM538).
2. Remove the lock key.
3. Open the rear cover and take out the grass basket by holding the handle.
► Fig.37: 1. Rear cover 2. Handle 3. Grass basket
4. Empty the grass basket.

MAINTENANCE

⚠ WARNING: Always be sure that the lock key and battery cartridge are removed from the mower before storing or carrying the mower or attempting to perform inspection or maintenance.

⚠ WARNING: Always remove the lock key when the mower is not in use. Store the lock key in a safe place out of reach of children.

⚠ WARNING: Wear gloves when performing inspection or maintenance.

⚠ WARNING: Always wear the safety goggles or safety glasses with side shields when performing inspection or maintenance.

NOTICE: Never use gasoline, benzine, thinner, alcohol or the like. Discoloration, deformation or cracks may result.

To maintain product SAFETY and RELIABILITY, repairs, any other maintenance or adjustment should be performed by Makita Authorized or Factory Service Centers, always using Makita replacement parts.

Maintenance

1. Remove the lock key and battery cartridges, and then close the battery cover.
2. Put the mower on its side. Clean grass clippings accumulated on the underside of mower deck.
3. Pour water toward the bottom of the machine to which the blade is attached.

NOTICE: Do not wash the machine with high pressure water.

4. Check all nuts, bolts, screws, etc. for tightness.
5. Inspect moving parts for damage, breakage, and wear. Damaged or missing parts should be repaired or replaced.
6. Store the mower in a safe place out of the reach of children.

For DLM481/DLM539

NOTICE: Do not pour water to the area shown in the figure. Pouring water to the motor unit may cause a malfunction of the machine.

- Fig.38: 1. Area where water should not be poured

For DLM481/DLM539

NOTICE: Do not pour water on the machine while the machine is in the upright position as shown in the figure. If the machine is in the upright position, water may pour down the motor unit, and cause a malfunction of the machine.

- Fig.39

Carrying the mower

⚠ CAUTION: Before carrying the mower, make sure that the battery cartridge and lock key are removed.

When carrying the mower, hold the rear grip and the lower holding part at the front of the machine with two people as shown in the figure.

- Fig.40: 1. Lower holding part 2. Rear grip

Storing

⚠ CAUTION: When putting the machine in the upright position, place the machine on a flat and stable surface. If the machine is placed on an unstable surface, the machine may fall over and cause an injury.

Store mower indoors in a cool, dry and locked place. Don't store the mower and charger in locations where the temperature may reach or exceed 40 °C.

1. Remove the battery cartridge and lock key.
2. Turn the knob 90° while pulling the knob on the lower handle to release the locking pin. Perform the same procedure on the other side, and then fold the handle.

- Fig.41: 1. Knob

NOTE: Supporting the handle makes it easier to release the locking pin when pulling the knob.

3. Turn the knob on both sides 90°. Make sure that the knobs are securely fixed.

For DLM481/DLM539

- Fig.42: 1. Knob

For DLM480/DLM538

- Fig.43: 1. Knob

NOTICE: Be careful not to pinch the cords when folding the handle.

4. Loosen the thumb nuts on both sides, and then fold the upper handle as shown in the figure.

- Fig.44: 1. Thumb nut 2. Upper handle

5. Place the machine in the upright position.

NOTE: When putting the mower in the upright position, do not hold the handle only, but hold the mower body and handle.

6. Store the grass basket as shown in the figure.

- Fig.45: 1. Grass basket

- Fig.46: 1. Grass basket

Removing or installing the mower blade

⚠ WARNING: The blade coasts for a few seconds after releasing the switch. Do not start any operation until the blade comes to a complete stop.

⚠ WARNING: Always remove the lock key and battery cartridge when removing or installing the blade. Failure to remove the lock key and battery cartridge may cause a serious injury.

⚠ WARNING: Always wear gloves when handling the blade.

NOTICE: When removing or installing the mower blade, use the box wrench included in the machine package.

Removing the mower blade

1. Put the mower on its side so that the mowing height adjusting lever comes to the lower side.
2. To lock the blade, insert the pin into the hole on the mower body as far as it will go.
3. Turn the bolt counterclockwise with box wrench 17.

► **Fig.47:** 1. Mower blade 2. Pin 3. Box wrench

4. Remove the bolt, and then mower blade.
- **Fig.48:** 1. Blade support 2. Mower blade 3. Bolt 4. Protrusion

NOTICE: When installing the mower blade, make sure that the protrusions on the blade support fit in the holes in the mower blade.

Installing the mower blade

⚠WARNING: Install the mower blade carefully. It has a top/bottom facing.

⚠WARNING: Tighten the bolt clockwise firmly to secure the blade.

⚠WARNING: Make sure that the mower blade and all the fixing parts are installed correctly and tightened securely.

⚠WARNING: When you replace the blades, always follow the instructions provided in this manual.

NOTICE: When tightening the bolt to install the mower blade, apply 19 - 29 N·m as tightening torque (the values are just for a reference).

NOTICE: After installing the mower blades, remove the pin from the mower body.

To install the mower blades, perform the removal procedure in reverse.

TROUBLESHOOTING

Before asking for repairs, conduct your own inspection first. If you find a problem that is not explained in the manual, do not attempt to disassemble the machine. Instead, ask Makita Authorized Service Centers, always using Makita replacement parts for repairs.

State of abnormality	Probable cause (malfunction)	Remedy
Mower does not start.	Two battery cartridges are not installed.	Install two charged battery cartridges.
	Battery problem (under voltage)	Recharge the battery cartridge. If recharging is not effective, replace battery cartridge.
	The lock key is not inserted.	Insert the lock key.
Motor stops running after a little use.	Battery's charge level is low.	Recharge the battery cartridge. If recharging is not effective, replace battery cartridge.
	Cutting height is too low.	Increase the cutting height.
	Cut grass is clogged in the mower.	Remove the clogged grass from the mower.
Motor does not reach maximum RPM.	Battery cartridge is installed improperly.	Install the battery cartridge as described in this manual.
	Battery power is dropping.	Recharge the battery cartridge. If recharging is not effective, replace battery cartridge.
	The drive system does not work correctly.	Ask your local authorized service center for repair.
Mower blade does not rotate: ⇒ stop the mower immediately!	Foreign object such as a branch is jammed near the blade.	Remove the foreign object.
	The drive system does not work correctly.	Ask your local authorized service center for repair.
Abnormal vibration: ⇒ stop the mower immediately!	Blade is imbalanced, excessively or unevenly worn.	Replace the blade.

OPTIONAL ACCESSORIES

⚠CAUTION: These accessories or attachments are recommended for use with your Makita machine specified in this manual. The use of any other accessories or attachments might present a risk of injury to persons. Only use accessory or attachment for its stated purpose.

If you need any assistance for more details regarding these accessories, ask your local Makita Service Center.

- Mower blade
- Makita genuine battery and charger

NOTE: Some items in the list may be included in the product package as standard accessories. They may differ from country to country.

ТЕХНИЧЕСКИЕ ХАРАКТЕРИСТИКИ

Модель:	DLM480	DLM481	DLM538	DLM539
Ширина скашивания (диаметр лезвия)	480 мм		534 мм	
Число оборотов без нагрузки	3 100 мин ⁻¹		3 000 мин ⁻¹	
Сменное лезвие газонокосилки, номер детали	Прямое лезвие газонокосилки	191V97-3		191V96-5 / 191W87-2
	Мульчирующее лезвие	191Y64-6		191Y65-4
Размеры (Д × Ш × В)	во время работы	Д: от 1 690 мм до 1 740 мм Ш: 530 мм В: от 930 мм до 1 060 мм	Д: от 1 810 мм до 1 870 мм Ш: 580 мм В: от 920 мм до 1 040 мм	
	в положении для хранения (без корзины для травы)	580 мм × 530 мм × 870 мм		610 мм × 580 мм × 925 мм
Скорость передвижения	–	2,5–5,0 км/ч	–	2,5–5,0 км/ч
Номинальное напряжение	36 В пост. тока			
Масса нетто	24,5 – 26,8 кг	27,0 – 29,3 кг	25,5 - 28,0 кг	27,9–30,4 кг
Степень защиты	IPX4			

- Благодаря нашей постоянно действующей программе исследований и разработок указанные здесь технические характеристики могут быть изменены без предварительного уведомления.
- Технические характеристики могут различаться в зависимости от страны.
- Масса может отличаться в зависимости от дополнительного оборудования. Обратите внимание, что блок аккумулятора также считается дополнительным оборудованием. В таблице представлены комбинации с наибольшим и наименьшим весом в соответствии с процедурой EPTA 01/2014.

Подходящий блок аккумулятора и зарядное устройство

Блок аккумулятора	BL1815N / BL1820B / BL1830B / BL1840B / BL1850B / BL1860B
Зарядное устройство	DC18RC / DC18RD / DC18RE / DC18SD / DC18SE / DC18SF / DC18SH / DC18WC

- В зависимости от региона проживания некоторые блоки аккумуляторов и зарядные устройства, перечисленные выше, могут быть недоступны.

⚠ ОСТОРОЖНО: Используйте только перечисленные выше блоки аккумуляторов и зарядные устройства. Использование других блоков аккумуляторов и зарядных устройств может привести к травме и/или пожару.

⚠ ОСТОРОЖНО: Не используйте с этой машиной проводной источник электропитания, например переходник зарядного устройства или портативный блок питания. Кабель этого источника электропитания может помешать работе и стать причиной травмы.

Символы

Ниже приведены символы, которые могут использоваться для обозначения оборудования. Перед использованием убедитесь в том, что вы понимаете их значение.

	Обратите особое внимание.
	Прочитайте руководство по эксплуатации.
	Опасности! Возможен разлет твердых предметов.
	Расстояние от инструмента до находящихся поблизости людей должно быть не менее 15 м.

	Не приближайте руки и ноги к лезвию газонокосилки под ее днищем. После выключения электродвигателя лезвия газонокосилки продолжают вращаться.
	Перед осмотром, регулировкой, очисткой, обслуживанием, оставлением и хранением газонокосилки извлекайте ключ блокировки.
	Осторожно! Перед техническим обслуживанием необходимо отсоединить аккумулятор.
	Электрическая опасность. Попадание воды на машину может привести к поражению электрическим током.
	Не допускайте попадания воды на машину.



Только для стран ЕС

В связи с наличием в оборудовании опасных компонентов отходы электрического и электронного оборудования, аккумуляторы и батареи могут оказывать негативное влияние на окружающую среду и здоровье человека.

Не выбрасывайте электрические и электронные устройства или батареи вместе с бытовыми отходами!

В соответствии с директивой ЕС по отходам электрического и электронного оборудования, по аккумуляторам, батареям и отходам аккумуляторов и батарей, а также в соответствии с ее адаптацией к национальному законодательству, отходы электрического оборудования, батареи и аккумуляторы следует хранить отдельно и доставлять на пункт раздельного сбора коммунальных отходов, работающий с соблюдением правил охраны окружающей среды. Это обозначено символом в виде перечеркнутого мусорного контейнера на колесах, нанесенным на оборудование.



Гарантированный уровень звуковой мощности в соответствии с Директивой ЕС по шумам вне помещений.



Уровень звуковой мощности в соответствии с Регламентом Австралии (Новый Южный Уэльс) по контролю за шумом

Назначение

Газонокосилка предназначена для стрижки газонов.

Шум

Типичный уровень взвешенного звукового давления (A), измеренный в соответствии с EN IEC 62841-4-3:

Модель	Измеренный уровень звуковой мощности (L_{WA}): дБ(A)	Гарантированный уровень звуковой мощности (L_{WA}): дБ(A)
DLM480	92	95
DLM481	92	95
DLM538	95	98
DLM539	95	98

Модель	Уровень звукового давления (L_{pA}): дБ (A)	Погрешность уровня звукового давления (K): дБ (A)
DLM480	84	3
DLM481	84	3
DLM538	85	3
DLM539	85	3

ПРИМЕЧАНИЕ: Заявленное значение распространения шума измерено в соответствии со стандартной методикой испытаний и может быть использовано для сравнения инструментов.

ПРИМЕЧАНИЕ: Заявленное значение распространения шума можно также использовать для предварительных оценок воздействия.

⚠ОСТОРОЖНО: Используйте средства защиты слуха.

⚠ОСТОРОЖНО: Распространение шума во время фактического использования электроинструмента может отличаться от заявленного значения в зависимости от способа применения инструмента и в особенности от типа обрабатываемой детали.

⚠ОСТОРОЖНО: Обязательно определите меры безопасности для защиты оператора, основанные на оценке воздействия в реальных условиях использования (с учетом всех этапов рабочего цикла, таких как выключение инструмента, работа без нагрузки и включение).

Вибрация

Суммарное значение вибрации (сумма векторов по трем осям), определенное в соответствии с EN IEC 62841-4-3:

Модель DLM480

Распространение вибрации (a_n): 2,5 м/с² или менее
Погрешность (K): 1,5 м/с²

Модель DLM481

Распространение вибрации (a_n): 2,5 м/с² или менее
Погрешность (K): 1,5 м/с²

Модель DLM538

Распространение вибрации (a_n): 2,5 м/с² или менее
Погрешность (K): 1,5 м/с²

Модель DLM539

Распространение вибрации (a_n): 2,5 м/с² или менее
Погрешность (K): 1,5 м/с²

ПРИМЕЧАНИЕ: Заявленное общее значение распространения вибрации измерено в соответствии со стандартной методикой испытаний и может быть использовано для сравнения инструментов.

ПРИМЕЧАНИЕ: Заявленное общее значение распространения вибрации можно также использовать для предварительных оценок воздействия.

⚠ОСТОРОЖНО: Распространение вибрации во время фактического использования электроинструмента может отличаться от заявленного значения в зависимости от способа применения инструмента и в особенности от типа обрабатываемой детали.

⚠ОСТОРОЖНО: Обязательно определите меры безопасности для защиты оператора, основанные на оценке воздействия в реальных условиях использования (с учетом всех этапов рабочего цикла, таких как выключение инструмента, работа без нагрузки и включение).

Декларации о соответствии

Только для европейских стран

Декларации о соответствии включены в Приложение А к настоящему руководству по эксплуатации.

МЕРЫ БЕЗОПАСНОСТИ

Общие рекомендации по технике безопасности для электроинструментов

▲ОСТОРОЖНО: Ознакомьтесь со всеми представленными инструкциями по технике безопасности, указаниями, иллюстрациями и техническими характеристиками, прилагаемыми к данному электроинструменту. Несоблюдение каких-либо инструкций, указанных ниже, может привести к поражению электрическим током, пожару и/или серьезной травме.

Сохраните брошюру с инструкциями и рекомендациями для дальнейшего использования.

Термин "электроинструмент" в предупреждениях относится ко всему инструменту, работающему от сети (с проводом) или на аккумуляторах (без провода).

Безопасность в месте выполнения работ

1. Рабочее место должно быть чистым и хорошо освещенным. Захламление и плохое освещение могут стать причиной несчастных случаев.
2. Не пользуйтесь электроинструментом во взрывоопасной атмосфере, например в присутствии легко воспламеняющихся жидкостей, газов или пыли. При работе электроинструмента возникают искры, которые могут привести к воспламенению пыли или газов.
3. При работе с электроинструментом не допускайте детей или посторонних к месту выполнения работ. Не отвлекайтесь во время работы, так как это приведет к потере контроля над электроинструментом.

Электробезопасность

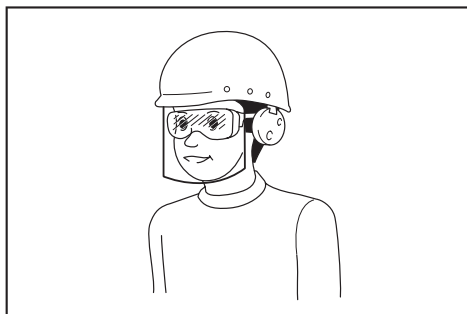
1. Вилка электроинструмента должна соответствовать сетевой розетке. Запрещается вносить какие-либо изменения в конструкцию вилки. Для электроинструмента с заземлением запрещается использовать переходники. Розетки и вилки, не подвергавшиеся изменениям, снижают риск поражения электрическим током.
2. Избегайте контакта участков тела с заземленными поверхностями, такими как трубы, радиаторы, батареи отопления и холодильники. При контакте тела с заземленными предметами увеличивается риск поражения электрическим током.
3. Не используйте электроинструмент под дождем или в условиях высокой влажности. Это может повысить опасность поражения электрическим током.
4. Аккуратно обращайтесь со шнуром питания. Запрещается использовать шнур питания для переноски, перемещения или извлечения вилки из розетки. Располагайте шнур на расстоянии от источников тепла, масла, острых краев и движущихся деталей. Поврежденные или запутанные сетевые шнуры увеличивают риск поражения электрическим током.

5. При использовании электроинструмента вне помещения используйте удлинитель, подходящий для этих целей. Использование соответствующего шнура снижает риск поражения электрическим током.
6. Если электроинструмент приходится эксплуатировать в сыром месте, используйте линию электропитания, которая защищена устройством, срабатывающим от остаточного тока (RCD). Использование RCD снижает риск поражения электротоком.
7. Электроинструмент может создавать электромагнитные поля (EMF), которые не представляют опасности для пользователей. Однако пользователям с кардиостимуляторами и другими аналогичными медицинскими устройствами следует обратиться к производителю устройства и/или врачу перед началом эксплуатации инструмента.

Личная безопасность

1. При использовании электроинструмента будьте бдительны, следите за тем, что вы делаете, и руководствуйтесь здравым смыслом. Не пользуйтесь электроинструментом, если вы устали, находитесь под воздействием наркотиков, алкоголя или лекарственных препаратов. Даже мгновенная невнимательность при использовании электроинструмента может привести к серьезной травме.
2. Используйте индивидуальные средства защиты. Всегда надевайте защитные очки. Такие средства индивидуальной защиты, как маска от пыли, защитная нескользящая обувь, каска или наушники, используемые в соответствующих условиях, позволяют снизить риск получения травмы.
3. Не допускайте случайного запуска. Прежде чем подсоединять инструмент к источнику питания и/или аккумуляторной батарее, поднимать или переносить инструмент, убедитесь, что переключатель находится в выключенном положении. Переноска электроинструмента с пальцем на выключателе или подача питания на инструмент с включенным выключателем может привести к несчастному случаю.
4. Перед включением электроинструмента снимите с него все регулировочные инструменты и гаечные ключи. Гаечный или регулировочный ключ, оставшийся закрепленным на вращающейся детали, может привести к травме.
5. При эксплуатации устройства не тянитесь. Всегда сохраняйте устойчивое положение и равновесие. Это позволит лучше управлять электроинструментом в непредвиденных ситуациях.
6. Одевайтесь соответствующим образом. Не надевайте свободную одежду или украшения. Ваши волосы и одежда должны всегда находиться на расстоянии от движущихся деталей. Свободная одежда, украшения или длинные волосы могут попасть в движущиеся детали устройства.

7. Если электроинструмент оборудован системой удаления и сбора пыли, убедитесь, что она подключена и используется соответствующим образом. Использование пылесборника снижает вероятность возникновения рисков, связанных с пылью.
8. Не переоценивайте свои возможности и не пренебрегайте правилами техники безопасности, даже если вы часто работаете с инструментом. Небрежное обращение с инструментом может стать причиной серьезной травмы за доли секунды.
9. Во время работы с электроинструментом всегда надевайте защитные очки. Очки должны соответствовать ANSI Z87.1 для США, EN 166 для Европы, или AS/NZS 1336 для Австралии и Новой Зеландии. В Австралии и Новой Зеландии оператор также обязан носить защитную маску.



Ответственность за использование средств защиты операторами и другим персоналом вблизи рабочей зоны возлагается на работодателя.

Эксплуатация и обслуживание электроинструмента

1. Не прилагайте излишних усилий к электроинструменту. Используйте инструмент, соответствующий выполняемой вами работе. Правильно подобранный электроинструмент позволит выполнить работу лучше и безопаснее с производительностью, на которую он рассчитан.
2. Не пользуйтесь электроинструментом с неисправным выключателем. Любой электроинструмент с неисправным выключателем опасен и должен быть отремонтирован.
3. Перед выполнением регулировок, сменой принадлежностей или хранением электроинструмента всегда отключайте его от источника питания и/или от аккумулятора или снимайте аккумулятор, если он является съемным. Такие превентивные меры предосторожности снижают риск случайного включения электроинструмента.
4. Храните электроинструменты в местах, недоступных для детей, и не позволяйте лицам, не знакомым с работой такого инструмента или не прочитавшим данные инструкции, пользоваться им. Электроинструмент опасен в руках неопытных пользователей.

5. Поддерживайте электроинструмент и дополнительные принадлежности в надлежащем состоянии. Убедитесь в соосности, отсутствии деформаций движущихся узлов, поломок каких-либо деталей или других дефектов, которые могут повлиять на работу электроинструмента. Если инструмент поврежден, отремонтируйте его перед использованием. Большое число несчастных случаев происходит из-за плохого ухода за электроинструментом.
6. Режущий инструмент всегда должен быть острым и чистым. Соответствующее обращение с режущим инструментом, имеющим острые режущие кромки, делает его менее подверженным деформациям, что позволяет лучше управлять им.
7. Используйте электроинструмент, принадлежности, приспособления и насадки в соответствии с данными инструкциями и в целях, для которых он предназначен, учитывая при этом условия и вид выполняемой работы. Использование электроинструмента не по назначению может привести к возникновению опасной ситуации.
8. Рукоятки инструмента и специальные изолированные поверхности всегда должны быть сухими и чистыми и не содержать следов масла или смазки. Скользкие рукоятки и специальные поверхности препятствуют соблюдению рекомендаций по технике безопасности в экстренных ситуациях.
9. При использовании инструмента не надевайте рабочие перчатки, ткань которых инструмент может затянуть. Затягивание ткани рабочих перчаток в движущиеся части инструмента может привести к травме.

Эксплуатация и обслуживание электроинструмента, работающего на аккумуляторе

1. Заряжайте аккумулятор только зарядным устройством, указанным изготовителем. Зарядное устройство, подходящее для одного типа аккумуляторов, может привести к пожару при его использовании с другим аккумуляторным блоком.
2. Используйте электроинструмент только с указанными аккумуляторными блоками. Использование других аккумуляторных блоков может привести к травме или пожару.
3. Когда аккумуляторный блок не используется, храните его отдельно от металлических предметов, таких как скрепки, монеты, ключи, гвозди, шурупы или другие небольшие металлические предметы, которые могут привести к закорачиванию контактов аккумуляторного блока между собой. Короткое замыкание между контактами аккумуляторного блока может привести к ожогам или пожару.
4. При неправильном обращении из аккумуляторного блока может потечь жидкость. Избегайте контакта с ней. В случае контакта с кожей промойте место контакта обильным количеством воды. В случае попадания в глаза обратитесь к врачу. Жидкость из аккумулятора может вызвать раздражение или ожоги.

5. **Не используйте поврежденные или модифицированные инструменты и аккумуляторные блоки.** Поврежденные или модифицированные аккумуляторы могут работать некорректно, что может привести к пожару, взрыву или травмированию.
6. **Не подвергайте аккумуляторный блок или инструмент воздействию огня или высокой температуры.** Воздействие огня или температуры выше 130 °C может привести к взрыву.
7. **Следуйте всем инструкциям по зарядке и не заряжайте аккумуляторный блок или инструмент при температурных условиях, выходящих за пределы диапазона, указанного в инструкции.** Зарядка ненадлежащим образом или при температурных условиях, выходящих за пределы указанного диапазона, может привести к повреждению батареи и повысить риск пожара.
7. **Не допускайте засорения отверстий для притока охлаждающего воздуха.** Засорение отверстий для притока охлаждающего воздуха может привести к перегреву и возгоранию.
8. **На время работы с газонокосилкой обязательно надевайте нескользящую защитную обувь. Не работайте с газонокосилкой босиком или в открытых сандалиях.** Это позволит снизить риск получения травмы при соприкосновении ноги с движущимся лезвием.
9. **На время работы с газонокосилкой обязательно надевайте длинные брюки.** Отсутствие защиты кожи повышает вероятность получить травму от отлетающих предметов.
10. **Не используйте газонокосилку на мокрой траве. Передвигайтесь шагом, не бегите.** Это позволит снизить вероятность того, что вы поскользнетесь и упадете, что, в свою очередь, может привести к травме.

Сервисное обслуживание

1. **Сервисное обслуживание электроинструмента должно проводиться только квалифицированным специалистом по ремонту и только с использованием идентичных запасных частей.** Это позволит обеспечить безопасность электроинструмента.
2. **Запрещается обслуживать поврежденные аккумуляторные блоки.** Обслуживание аккумуляторных блоков должен осуществлять только производитель или авторизованные поставщики услуг.
3. **Следуйте инструкциям по смазке и замене принадлежностей.**

Правила техники безопасности при использовании аккумуляторной газонокосилки

1. **Не используйте газонокосилку в неблагоприятных погодных условиях, особенно если возможны грозовые разряды.** Это снизит риск удара молнией.
2. **Внимательно осмотрите место, где будет использоваться газонокосилка, и убедитесь, что там нет диких животных.** Во время работы газонокосилки оказавшиеся поблизости дикие животные могут получить травмы.
3. **Внимательно осмотрите место, где будет использоваться газонокосилка, и уберите оттуда все камни, палки, провода, кости и другие посторонние предметы.** Отброшенные предметы могут нанести травму.
4. **Прежде чем использовать газонокосилку, обязательно осмотрите ее лезвие и убедитесь, что лезвие и узел лезвия не изношены и не повреждены.** Изношенные или поврежденные части повышают риск травмы.
5. **Чаще проверяйте травосборник на предмет износа или повреждений.** Изношенный или поврежденный травосборник повышает риск травмы.
6. **Ограждения должны всегда находиться на месте. Ограждения должны быть в рабочем состоянии и установлены надлежащим образом.** Плохо закрепленное, поврежденное или не работающее надлежащим образом ограждение может стать причиной травмы.
11. **Не используйте газонокосилку на чрезмерно крутых склонах.** Это позволит снизить вероятность того, что вы потеряете контроль над инструментом, поскользнетесь и упадете, что, в свою очередь, может привести к травме.
12. **При работе на склонах всегда стойте на ногах, двигайтесь поперек склона, а не вверх или вниз по склону, и соблюдайте особую осторожность при изменении направления движения.** Это позволит снизить вероятность того, что вы потеряете контроль над инструментом, поскользнетесь и упадете, что, в свою очередь, может привести к травме.
13. **Соблюдайте особую осторожность, перемещая газонокосилку задним ходом или подтягивая ее к себе.** Всегда контролируйте окружающую обстановку. Это позволит снизить вероятность того, что вы споткнетесь во время работы.
14. **Не прикасайтесь к лезвиям и другим опасным движущимся частям до их полной остановки.** Это позволит снизить вероятность получения травмы движущимися частями.
15. **При удалении застрявших обрезков или очистке газонокосилки убедитесь, что все выключатели питания выключены, а аккумуляторный блок отсоединен.** Неожиданное включение газонокосилки может привести к тяжелым травмам.

Дополнительные правила техники безопасности

Инструктаж

1. **Внимательно прочитайте инструкции. Ознакомьтесь со всеми элементами управления и правилами надлежащей эксплуатации газонокосилки.**
2. **Не разрешайте детям и лицам, не знакомым с данными инструкциями, пользоваться косилкой. В местном законодательстве могут существовать возрастные ограничения для операторов.**
3. **Запрещается эксплуатировать газонокосилку, если поблизости находятся люди (в особенности дети) или животные.**

4. Помните, что оператор/пользователь несет ответственность за происшествия и опасные ситуации с другими людьми или их собственностью.
6. Осторожно включайте газонокосилку в соответствии с инструкциями, ноги при этом должны находиться как можно дальше от лезвия.

Подготовка

1. Перед началом работы убедитесь, что поблизости никого нет. Если кто-либо приблизился, выключите газонокосилку.
2. Не вставляйте ключ блокировки в газонокосилку, пока она не будет готова к эксплуатации.
3. Осматривайте газон на предмет углублений, колея, ухабов, камней или других скрытых предметов. Неровности поверхности могут стать причиной поскользывания и падения. Высокая трава может скрывать препятствия.
4. Запрещается вставлять или вынимать ключ блокировки под дождем.
7. Соблюдайте меры безопасности во избежание травмирования ног и рук лезвием газонокосилки.
8. Обязательно остановите лезвие(я), если машину необходимо наклонить для транспортировки по поверхности, отличной от травы, либо при транспортировке машины к месту эксплуатации и обратно.
9. Не наклоняйте газонокосилку при включении двигателя, кроме случаев, когда ее необходимо наклонять для пуска. В этом случае наклоняйте ее на минимально необходимый угол и поднимайте только дальнюю от оператора часть. При опускании газонокосилки на землю всегда крепко держите рукоятку обеими руками.

Выполнение работы

1. Остановите газонокосилку, извлеките ключ блокировки и убедитесь в том, что все движущиеся части полностью остановились, если:
 - оставляете газонокосилку без присмотра;
 - планируете устранить засоры и удалять предметы, закупорившие желоб;
 - собираетесь выполнять проверку, очистку или обслуживание газонокосилки.
2. Если газонокосилка ударилась о посторонний предмет, выполните следующее:
 - Остановите газонокосилку, отпустите рычажный выключатель и дождитесь полной остановки лезвия.
 - Извлеките ключ блокировки и блок аккумулятора.
 - Внимательно осмотрите газонокосилку на предмет повреждений.
 - Замените лезвие, если оно каким-либо образом повреждено. Устраните любые повреждения, прежде чем снова запустить газонокосилку и возобновлять работу с ней.
3. В случае возникновения посторонних вибраций газонокосилки или любых необычных явлений немедленно выполните следующие действия:
 - Остановите газонокосилку, отпустите рычажный выключатель и дождитесь полной остановки лезвия.
 - Извлеките ключ блокировки и блок аккумулятора.
 - Проверьте наличие повреждений и замените или отремонтируйте любые поврежденные детали.
 - Проверьте, не разболтались ли какие-либо детали, и подтяните их.
4. Запрещается использовать машину с неисправными ограждениями и экранами или без защитных приспособлений, например дефлекторов или бункера для сбора травы.
5. Используйте устройство только в дневное время или при хорошем искусственном освещении.
10. Не помещайте руки или ноги под вращающиеся детали или вблизи них. Никогда не становитесь перед разгрузочным отверстием.
11. Постоянно надежно удерживайте рукоятку.
12. Поднимая или удерживая косилку, не беритесь за оголенные ножи или режущие кромки.
13. Не приближайте руки и ноги к вращающимся ножам. Внимание - лезвия продолжают вращаться после отключения газонокосилки.
14. Запрещается регулировать высоту скашивания во время движения газонокосилки (если газонокосилка позволяет регулировать высоту скашивания).
15. Отпустите рычажный выключатель и дождитесь остановки лезвия, прежде чем переходить улицы, пешеходные дорожки, дороги и любые области с гравийным покрытием. Кроме того, извлеките ключ блокировки, если выпускаете газонокосилку из рук, нагибаетесь, чтобы подобрать или убрать что-либо с дороги, или по любой другой причине, которая может отвлечь вас от работы.
16. Не включайте двигатель, стоя перед разгрузочным отверстием.
17. Не направляйте поток срезанного материала на людей. Не направляйте поток срезанного материала на стену или какой-либо предмет. Срезанный материал может отскочить в сторону оператора. Остановите лезвия на время транспортировки по поверхности из гравия.
18. Не тяните газонокосилку назад без крайней необходимости. Если необходимо отвести косилку от забора или другого аналогичного препятствия, смотрите назад себе под ноги до начала движения, а также во время движения задним ходом.
19. Прежде чем снимать травосборник, отключите двигатель и подождите, пока лезвие полностью остановится. Имейте в виду, что лезвия продолжают вращаться после отключения.

20. При использовании устройства в грязи, на влажном склоне или на скользкой поверхности будьте осторожны, чтобы не поскользнуться.
21. Избегайте работать в сложных условиях, в которых ожидается повышенная усталость пользователя.
22. Не используйте устройство в неблагоприятных погодных условиях, когда видимость ограничена. Несоблюдение этого требования может привести к падению или неправильной эксплуатации устройства из-за плохой видимости.
23. Не допускайте погружения устройства в лужи.
24. В случае прилипания мокрых листьев или грязи ко входу для всасывания (вентиляционному отверстию) удалите их.
25. Запрещается использовать устройство в снегопад.
26. Если срезанная трава является мокрой, она может скапливаться внутри устройства. Регулярно проверяйте состояние устройства и при необходимости удаляйте прилипшую траву.
27. При работе с машиной следите за тем, чтобы не допустить контакта с трубопроводом или проводами.

Техническое обслуживание и хранение

1. Регулярно осматривайте и выполняйте техническое обслуживание газонокосилки.
2. Все гайки, болты и винты должны быть надежно затянуты — это обеспечит безопасность и работоспособность.
3. Чаше проверяйте корзину для травы на предмет износа или повреждений. Помещая устройство на хранение, обязательно очистите корзину для травы. Для обеспечения безопасности замените изношенную корзину для травы на новую.
4. Пользуйтесь только оригинальными лезвиями производителя, указанными в данном руководстве.
5. Соблюдайте осторожность при регулировке газонокосилки, чтобы не допустить защемления пальцев между движущимися лезвиями и неподвижными деталями машины.
6. Чаше проверяйте надежность затяжки болта крепления лезвия.
7. Перед постановкой на хранение дайте косилке остыть.
8. При обслуживании лезвий следует помнить, что лезвия могут двигаться даже при отключенном питании.
9. Не удаляйте предохранительные устройства и не вносите изменения в их конструкцию. Регулярно проверяйте правильность их работы. Не предпринимайте никаких действий, которые могут повлиять на функционирование предохранительного устройства или снизить степень защиты, обеспечиваемой предохранительным устройством.
10. Не оставляйте устройство без присмотра под открытым небом в дождь.

11. Запрещается мыть устройство струей воды с высоким напором.
12. При мойке устройства обязательно вытащите аккумулятор и ключ блокировки и закройте крышку отсека аккумулятора. Вода при мойке должна стекать к нижней части устройства, где крепится лезвие.
13. Не храните устройство в помещениях с высокой влажностью или температурой, на солнце или под дождем.
14. Осмотр и техническое обслуживание устройства следует выполнять в месте, защищенном от осадков.
15. После использования устройства очистите его от налипшей грязи и полностью высушите, перед тем как поместить на хранение. В зависимости от времени года и/или региона устройство может выйти из строя из-за замерзания воды.

Электробезопасность

1. Не вскрывайте и не разбивайте аккумулятор. Содержащийся в них электролит очень едкий, вы можете повредить глаза или кожу. При проглатывании это вещество может вызвать отравление.
2. Не заряжайте аккумулятор под дождем или в местах с повышенной влажностью.
3. Не заряжайте аккумулятор на улице.
4. Не касайтесь зарядного устройства, а также штекера и контактов зарядного устройства влажными руками.
5. Запрещается заменять аккумулятор под дождем.
6. Избегайте смачивания клемм аккумулятора жидкостью, например водой, и не допускайте погружения аккумулятора в жидкость. Запрещается оставлять аккумулятор под дождем, заряжать, использовать или хранить аккумулятор в местах с повышенной влажностью. Мокрые клеммы или попадание жидкости внутрь аккумулятора могут привести к короткому замыканию аккумулятора, его перегреву, возгоранию или взрыву.
7. После извлечения аккумулятора из газонокосилки или зарядного устройства обязательно присоедините к аккумулятору крышку отсека аккумулятора и оставьте его в сухом месте.
8. Запрещается выполнять замену аккумулятора мокрыми руками.
9. Избегайте опасных сред. Не используйте машину в местах с повышенной влажностью и под дождем. Попавшая в машину вода повышает опасность поражения электрическим током.
10. В случае попадания воды на блок аккумулятора вылейте воду из блока и протрите его сухой тканью. Прежде чем использовать блок аккумулятора, дайте ему полностью высохнуть в сухом месте.

СОХРАНИТЕ ДАННЫЕ ИНСТРУКЦИИ.

▲ОСТОРОЖНО: НЕ ДОПУСКАЙТЕ, чтобы удобство или опыт эксплуатации данного устройства (полученный от многократного использования) доминировали над строгим соблюдением правил техники безопасности при обращении с этим устройством. **НЕПРАВИЛЬНОЕ ИСПОЛЬЗОВАНИЕ** инструмента или несоблюдение правил техники безопасности, указанных в данном руководстве, может привести к тяжелой травме.

Важные правила техники безопасности для работы с аккумуляторным блоком

1. Перед использованием аккумуляторного блока прочитайте все инструкции и предупреждающие надписи на (1) зарядном устройстве, (2) аккумуляторном блоке и (3) инструменте, работающем от аккумуляторного блока.
2. Не разбирайте блок аккумулятора и не меняйте его конструкцию. Это может привести к пожару, перегреву или взрыву.
3. Если время работы аккумулятора блока значительно сократилось, немедленно прекратите работу. В противном случае, может возникнуть перегрев блока, что приведет к ожогам и даже к взрыву.
4. В случае попадания электролита в глаза промойте их обильным количеством чистой воды и немедленно обратитесь к врачу. Это может привести к потере зрения.
5. Не замыкайте контакты аккумуляторного блока между собой:
 - (1) Не прикасайтесь к контактам какими-либо токопроводящими предметами.
 - (2) Не храните аккумуляторный блок в контейнере вместе с другими металлическими предметами, такими как гвозди, монеты и т. п.
 - (3) Не допускайте попадания на аккумуляторный блок воды или дождя.Замыкание контактов аккумуляторного блока между собой может привести к возникновению большого тока, перегреву, возможным ожогам и даже поломке блока.
6. Не храните и не используйте инструмент и аккумуляторный блок в местах, где температура может достигать или превышать 50 °C (122 °F).
7. Не бросайте аккумуляторный блок в огонь, даже если он сильно поврежден или полностью вышел из строя. Аккумуляторный блок может взорваться под действием огня.
8. Запрещено вбивать гвозди в блок аккумулятора, резать, ломать, бросать, ронять блок аккумулятора или ударять его твердым предметом. Это может привести к пожару, перегреву или взрыву.
9. Не используйте поврежденный аккумуляторный блок.

10. Входящие в комплект литий-ионные аккумуляторы должны эксплуатироваться в соответствии с требованиями законодательства об опасных товарах.

При коммерческой транспортировке, например, третьей стороной или экспедитором, необходимо нанести на упаковку специальные предупреждения и маркировку.

В процессе подготовки устройства к отправке обязательно проконсультируйтесь со специалистом по опасным материалам. Также соблюдайте местные требования и нормы. Они могут быть строже.

Закройте или закрепите разомкнутые контакты и упакуйте аккумулятор так, чтобы он не перемещался по упаковке.

11. Для утилизации блока аккумулятора извлеките его из инструмента и утилизируйте безопасным способом. Выполняйте требования местного законодательства по утилизации аккумулятора блока.
12. Используйте аккумуляторы только с продукцией, указанной Makita. Установка аккумуляторов на продукцию, не соответствующую требованиям, может привести к пожару, перегреву, взрыву или утечке электролита.
13. Если инструментом не будут пользоваться в течение длительного периода времени, извлеките аккумулятор из инструмента.
14. Во время и после использования блок аккумулятора может нагреваться, что может стать причиной ожогов или низкотемпературных ожогов. Будьте осторожны при обращении с горячим блоком аккумулятора.
15. Не прикасайтесь к контактам инструмента сразу после использования, поскольку они могут быть достаточно горячими, чтобы вызвать ожоги.
16. Не допускайте налипания на контакты, отверстия и пазы блока аккумулятора опилок, пыли или земли. Это может стать причиной перегрева, возгорания, взрыва или неисправности инструмента или блока аккумулятора, что может привести к ожогам или травмам.
17. Если инструмент не рассчитан на использование вблизи высоковольтных линий электропередач, не используйте блок аккумулятора вблизи высоковольтных линий электропередач. Это может привести к неисправности, поломке инструмента или блока аккумулятора.
18. Храните аккумулятор в недоступном для детей месте.

СОХРАНИТЕ ДАННЫЕ ИНСТРУКЦИИ.

▲ВНИМАНИЕ: Используйте только фирменные аккумуляторные батареи Makita.

Использование аккумуляторных батарей, не произведенных Makita, или батарей, которые были подвергнуты модификациям, может привести к взрыву аккумулятора, пожару, травмам и повреждению имущества. Это также автоматически аннулирует гарантию Makita на инструмент и зарядное устройство Makita.

Советы по обеспечению максимального срока службы аккумулятора

1. Заряжайте блок аккумуляторов перед его полной разрядкой. Обязательно прекратите работу с инструментом и зарядите блок аккумуляторов, если вы заметили снижение мощности инструмента.
2. Никогда не подзаряжайте полностью заряженный блок аккумуляторов. Перезарядка сокращает срок службы аккумулятора.
3. Заряжайте блок аккумуляторов при комнатной температуре в 10 - 40 °C (50 - 104 °F). Перед зарядкой горячего блока аккумуляторов дайте ему остыть.
4. Если блок аккумулятора не используется, извлеките его из инструмента или зарядного устройства.
5. Зарядите моно-литиевый аккумуляторный блок, если вы не будете пользоваться инструментом длительное время (более шести месяцев).

СБОРКА

⚠ ОСТОРОЖНО: Прежде чем выполнять какие-либо операции с газонокосилкой, убедитесь, что ключ блокировки и блок аккумулятора извлечены. Несоблюдение этого требования может привести к тяжелой травме в результате случайного пуска инструмента.

⚠ ОСТОРОЖНО: Не запускайте частично собранную газонокосилку. Использование машины в частично собранном виде может стать причиной тяжелой травмы в результате случайного пуска.

Установка рукоятки

ПРИМЕЧАНИЕ: При установке рукояток следите за тем, чтобы не защемить шнур между рукоятками. Если шнур поврежден, то выключатель косилки может не работать.

1. Совместите отверстие в нижней рукоятке с отверстием в верхней рукоятке, а затем вставьте болт снаружи и затяните накатную гайку изнутри. Выполните ту же процедуру с другой стороны.

Для DLM481/DLM539

- **Рис.1:** 1. Болт 2. Накатная гайка 3. Нижняя рукоятка 4. Верхняя рукоятка

Для DLM480/DLM538

- **Рис.2:** 1. Болт 2. Накатная гайка 3. Нижняя рукоятка 4. Верхняя рукоятка

2. Оттянув поворотную ручку на нижней рукоятке, поверните ее на 90°, чтобы освободить фиксирующий штифт. Выполните ту же процедуру с другой стороны. Поднимите рукоятку, а затем поверните поворотные ручки с обеих сторон на 90°. Убедитесь в том, что поворотные ручки надежно зафиксированы.

- **Рис.3:** 1. Поворотная ручка

ПРИМЕЧАНИЕ: Поддерживание рукоятки облегчает высвобождение фиксирующего штифта при оттягивании поворотной ручки.

Удаление вставки для мульчирования

1. Откройте заднюю крышку.

- **Рис.4:** 1. Задняя крышка

2. Слегка приподнимите и вытащите вставку для мульчирования.

- **Рис.5:** 1. Вставка для мульчирования

Сборка корзины для травы

1. Снимите верхний зажим корзины для травы.

- **Рис.6:** 1. Верхний зажим

2. Вставьте раму в корзину для травы до упора, удерживая рукоятку рамы.

- **Рис.7:** 1. Рукоятка

ПРИМЕЧАНИЕ: Не вставляйте рукоятку в корзину для травы. Раму необходимо вставлять вдоль шва корзины для травы.

3. Убедитесь, что края корзины для травы не просаживаются.

- **Рис.8**

4. Откройте верхний зажим и прикрепите его к раме.

- **Рис.9**

5. Прикрепите все остальные зажимы, как показано на рисунке. Убедитесь, что все зажимы надежно закреплены на раме.

- **Рис.10:** 1. Зажим

Установка или удаление корзины для травы

Установка корзины для травы выполняется по указанной далее процедуре.

1. Откройте заднюю крышку.

- **Рис.11:** 1. Задняя крышка

2. Удерживая рукоятку корзины для травы, зацепите корзину для травы за стержень корпуса газонокосилки, как показано на рисунке.

- **Рис.12:** 1. Корзина для травы 2. Рукоятка 3. Стержень

Для снятия корзины для травы откройте заднюю крышку и извлеките корзину для травы, удерживая рукоятку.

Установка вставки для мульчирования

1. Откройте заднюю крышку и снимите корзину для травы.

- **Рис.13:** 1. Задняя крышка 2. Корзина для травы

2. Прикрепите вставку для мульчирования, продвинув ее на максимально возможное расстояние таким образом, чтобы выступы вставки для мульчирования вошли в отверстия устройства.

- **Рис.14:** 1. Вставка для мульчирования 2. Выступ

ОПИСАНИЕ РАБОТЫ

Установка или снятие блока аккумулятора

▲ВНИМАНИЕ: Перед установкой и извлечением блока аккумулятора выключайте машину.

▲ВНИМАНИЕ: При установке и извлечении блока аккумулятора крепко удерживайте машину и блок аккумулятора. Если не удерживать машину и блок аккумулятора крепко, они могут выскользнуть из рук, что приведет к повреждению машины и блока аккумулятора, а также травмированию оператора.

▲ВНИМАНИЕ: Перед использованием убедитесь, что заперли крышку блока аккумулятора. В противном случае грязь, мусор или вода могут повредить изделие или блок аккумулятора.

▲ВНИМАНИЕ: Обязательно устанавливайте блок аккумулятора до конца таким образом, чтобы красный индикатор не был виден. В противном случае блок может выпастить из машины и нанести травму вам или другим людям.

▲ВНИМАНИЕ: Не прилагайте чрезмерных усилий при установке блока аккумулятора. Если блок не двигается свободно, значит он вставлен неправильно.

▲ВНИМАНИЕ: При установке и извлечении блока аккумулятора крепко удерживайте крышку аккумуляторного отсека.

ПРИМЕЧАНИЕ: Машина не будет работать только с одним блоком аккумулятора.

Чтобы установить блок аккумулятора:

1. Потяните вверх стопорный рычаг и откройте крышку отсека аккумулятора.

► **Рис.15:** 1. Крышка аккумуляторной батареи
2. Стопорный рычаг

2. Совместите язычок на блоке аккумулятора с канавкой на машине и вставьте блок до легкого щелчка.

► **Рис.16:** 1. Блок аккумулятора

3. Вставьте ключ блокировки до упора в точку, показанной на рисунке.

► **Рис.17:** 1. Ключ блокировки

4. Закройте крышку аккумулятора и нажмите на нее до фиксации рычагом блокировки.

Снятие блока аккумулятора

1. Потяните вверх стопорный рычаг и откройте крышку аккумуляторного отсека.

2. Потяните блок аккумулятора из машины, удерживая нажатой кнопку на лицевой стороне, и извлеките блок.

3. Извлеките ключ блокировки.

4. Закройте крышку аккумулятора.

Система защиты машины / аккумулятора

На машине предусмотрена система защиты машины / аккумулятора. Эта система автоматически отключает питание двигателя для продления срока службы машины и аккумулятора. Машина автоматически отключится в указанных далее случаях, влияющих на работу самой машины или аккумулятора.

Защита от перегрузки

Если из-за способа эксплуатации аккумулятор потребляет anomalно высокий ток, машина автоматически выключится, а основной индикатор питания начнет мигать зеленым. В этом случае отключите машину и прекратите работу, из-за которой произошла перегрузка. Затем включите машину для перезапуска.

Защита от перегрева

При перегреве машины или аккумулятора машина автоматически останавливается, а основной индикатор питания начинает гореть красным. В этом случае дайте машине и аккумулятору остыть перед повторным включением.

Защита от переразрядки

Если емкости аккумулятора недостаточно, машина остановится автоматически, а основной индикатор питания начнет мигать красным. В этом случае следует извлечь из машины аккумулятор и зарядить блоки аккумуляторов или заменить их на полностью заряженные.

Защита от других неполадок

Система защиты рассчитана также и на другие неполадки, способные повредить машину, и обеспечивает возможность ее автоматической остановки. В случае временной остановки или прекращения работы машины выполните все перечисленные ниже действия для устранения причины остановки.

1. Выключите машину и снова включите ее для перезапуска.
2. Зарядите аккумулятор(-ы) или замените его/их на заряженный(-е).
3. Дайте машине и аккумулятору(-ам) возможность остыть.

Если после восстановления системы защиты ситуация не изменится, обратитесь в сервисный центр Makita.

ПРИМЕЧАНИЕ: Если машина останавливается по причине, не описанной выше, см. раздел, касающийся поиска и устранения неисправностей.

Индикация оставшегося заряда аккумулятора

► **Рис.18:** 1. Индикатор аккумулятора

























При низком заряде аккумулятора его индикатор начинает мигать на соответствующей стороне аккумулятора. При дальнейшем использовании машина останавливается, и загорается индикатор аккумулятора. В этом случае следует зарядить блок аккумулятора.

Индикация оставшегося заряда аккумулятора

Только для блоков аккумулятора с индикатором

Нажмите кнопку проверки на аккумуляторном блоке для проверки заряда. Индикаторы загорятся на несколько секунд.

► Рис.19: 1. Индикаторы 2. Кнопка проверки

Индикаторы			Уровень заряда
			
Горит	Выкл.	Мигает	
			от 75 до 100%
			от 50 до 75%
			от 25 до 50%
			от 0 до 25%
			Зарядите аккумуляторную батарею.
			Возможно, аккумуляторная батарея неисправна.
			

ПРИМЕЧАНИЕ: В зависимости от условий эксплуатации и температуры окружающего воздуха индикация может незначительно отличаться от фактического значения.

ПРИМЕЧАНИЕ: Первая (дальняя левая) индикаторная лампа будет мигать во время работы защитной системы аккумулятора.

Главный переключатель питания

▲ ОСТОРОЖНО: Держите основной переключатель питания выключенным, когда он не используется.

► Рис.20: 1. Основной индикатор питания
2. Главный переключатель питания

Для включения устройства нажмите главный переключатель питания. Основной индикатор питания загорится зеленым светом. Для выключения устройства нажмите главный переключатель питания еще раз.

ПРИМЕЧАНИЕ: Если основной индикатор питания загорится красным или начнет мигать красным или зеленым, см. раздел инструкций по системе защиты машины или аккумулятора.

ПРИМЕЧАНИЕ: Эта машина оснащена функцией автоматического отключения. Для предотвращения случайного запуска главный переключатель питания автоматически отключается, если не нажимать рычажный выключатель и рычаг привода (если установлены) в течение определенного периода времени после включения главного переключателя питания.

Действие выключателя

▲ ОСТОРОЖНО: Перед установкой блока аккумулятора обязательно убедитесь в том, что рычажный выключатель работает правильно и возвращается в исходное положение после отпускания. Эксплуатация машины с неисправным переключателем может привести к потере контроля над ней и получению тяжелой травмы.

ПРИМЕЧАНИЕ: Если не нажать кнопку включения, газонокосилка не запустится, даже если потянуть рычажный выключатель.

ПРИМЕЧАНИЕ: Газонокосилка может не запуститься по причине перегрузки, если вы косите высокую или густую траву. В таком случае увеличьте высоту стрижки.

Эта газонокосилка оснащена ключом блокировки и рукояткой с выключателем. Заметив какие-либо отклонения в работе ключа блокировки или выключателя, немедленно прекратите работу и проверьте их в ближайшем авторизованном сервисном центре Makita.

Для DLM481/DLM539

1. Установите блоки аккумуляторов. Вставьте ключ блокировки и закройте крышку отсека аккумулятора.
2. Нажмите главный переключатель питания.
3. Потяните рычажный выключатель к себе, удерживая кнопку включения / выключения питания. Как только двигатель заработает, отпустите кнопку включения.

► Рис.21: 1. Кнопка включения 2. Рычаг переключателя

4. Удерживая рычажный выключатель, нажмите рычаг привода вперед и удерживайте для снятия блокировки задних колес.

► Рис.22: 1. Рычаг привода

ПРИМЕЧАНИЕ: Задние колеса можно привести в движение, нажав рычаг привода вперед и удерживая его без нажатия рычажного выключателя.

5. Чтобы остановить машину, отпустите рычаг привода и рычажный выключатель.

Для DLM480/DLM538

1. Установите блоки аккумуляторов. Вставьте ключ блокировки и закройте крышку отсека аккумулятора.
2. Нажмите главный переключатель питания.
3. Потяните рычажный выключатель к себе, удерживая кнопку включения / выключения питания. Как только двигатель заработает, отпустите кнопку включения.

► Рис.23: 1. Кнопка включения 2. Рычаг переключателя

4. Для выключения двигателя отпустите рычажный выключатель.

Регулировка высоты стрижки

⚠ ОСТОРОЖНО: При регулировке высоты стрижки не подсовывайте руку или ногу под газонокосилку.

⚠ ОСТОРОЖНО: Перед началом работы обязательно проверяйте, что рычаг хорошо входит в паз.

Высоту скашивания можно регулировать в диапазоне от 20 мм до 100 мм.

Вытащите ключ блокировки, потяните рычаг регулировки высоты скашивания наружу относительно корпуса газонокосилки и переместите его в положение, соответствующее желаемой высоте скашивания.

► **Рис.24:** 1. Рычаг регулировки высоты скашивания

В таблице ниже показано соотношение цифр на корпусе газонокосилки и приблизительной высоты скашивания.

Цифра	Высота скашивания
1	20 мм
2	26 мм
3	32 мм
4	40 мм
5	49 мм
6	59 мм
7	70 мм
8	81 мм
9	92 мм
10	100 мм

Возьмитесь одной рукой за нижнюю рукоятку и перемещайте рычаг регулировки высоты скашивания второй рукой.

► **Рис.25:** 1. Рычаг регулировки высоты скашивания 2. Нижняя рукоятка

ПРИМЕЧАНИЕ: Значения высоты стрижки приведены только для справки. В зависимости от состояния газона и почвы конечная высота скошенной травы может незначительно отличаться от заданной.

ПРИМЕЧАНИЕ: Чтобы добиться желаемой высоты, выполните пробное скашивание на не слишком заметном участке газона.

Индикатор уровня травы

Индикатор уровня травы показывает объем скошенной травы. Если корзина для травы не заполнена до верха, индикатор перемещается во время работы лезвий.

► **Рис.26:** 1. Индикатор уровня травы

Если корзина для травы почти заполнена, индикатор не перемещается во время работы лезвий. В этом случае немедленно прекратите работу и опорожните корзину.

► **Рис.27:** 1. Индикатор уровня травы

ПРИМЕЧАНИЕ: Данный индикатор показывает приблизительный объем. В зависимости от условий внутри корзины индикатор может работать с ошибками.

Регулировка высоты рукоятки

Рукоятка имеет двухступенчатую регулировку высоты.

1. Удерживая нижнюю рукоятку, оттяните поворотную ручку на нижней рукоятке и поверните ее на 90°, чтобы освободить фиксирующий штифт. Выполните ту же процедуру с другой стороны.

► **Рис.28:** 1. Нижняя рукоятка 2. Поворотная ручка

ПРИМЕЧАНИЕ: Поддерживание рукоятки облегчает высвобождение фиксирующего штифта при оттягивании поворотной ручки.

2. Отрегулируйте высоту рукоятки, а затем поверните поворотные ручки с обеих сторон на 90°. Убедитесь в том, что поворотные ручки надежно зафиксированы.

► **Рис.29:** 1. Поворотная ручка

Регулировка скорости передвижения

Для DLM481/DLM539

► **Рис.30:** 1. Рычаг регулировки скорости

Скорость передвижения можно отрегулировать рычагом регулировки скорости. Для уменьшения скорости потяните рычаг на себя, для увеличения скорости нажмите рычаг вперед.

Использование вставки для мульчирования

Вставка для мульчирования позволяет сбрасывать измельченную траву обратно на газон без сбора в корзину для травы. При работе с машиной, на которой установлена вставка для мульчирования, снимите корзину для травы.

ПРИМЕЧАНИЕ: При использовании машины со вставкой для мульчирования убедитесь в том, что общая длина травы после срезания составляет не менее 30 мм, а длина среза – не более 15 мм.

► **Рис.31:** (1) 30 мм или больше (2) 15 мм или меньше

Использование заднего выброса

Использование заднего выброса позволяет сбрасывать измельченную траву на газон с задней стороны машины без сбора ее в корзину для травы.

При использовании на машине заднего выброса не забудьте удалить корзину для травы и вставку для мульчирования и закрыть заднюю крышку.

Электронная функция

Для простоты эксплуатации устройство оснащено электронными функциями.

- Плавный запуск во время приведения в движение
Функция плавного запуска уменьшает пусковой удар и смягчает запуск устройства.
- Электрический тормоз
Эта машина оснащена электрическим тормозом. Если после отпущения рычажного выключателя не каждый раз происходит быстрая остановка лезвий газонокосилки, отправьте машину в официальный сервисный центр Makita для обслуживания.

ЭКСПЛУАТАЦИЯ

Скашивание

⚠ ОСТОРОЖНО: Перед скашиванием убедитесь с газона ветки и камни. Кроме того, заблаговременно очистите газон от сорняков.

⚠ ОСТОРОЖНО: При использовании газонокосилки обязательно надевайте защитные очки с боковыми щитками.

⚠ ВНИМАНИЕ: Если внутри корпуса газонокосилки набилась скошенная трава или посторонние предметы, перед очисткой корпуса обязательно вытащите ключ блокировки и блок аккумулятора и наденьте перчатки.

ПРИМЕЧАНИЕ: Используйте машину только для стрижки газонов. Не используйте ее для скашивания сорняков.

► Рис.32

Во время работы крепко удерживайте рукоятку обеими руками. Рекомендованная скорость скашивания составляет приблизительно от 7 до 14 метров за 10 секунд.

► Рис.33

ПРИМЕЧАНИЕ: При стрижке газона с высокой или плотной травой, если после скашивания трава выглядит неровной плохо скошенной либо в процессе скашивания наблюдается падение оборотов двигателя ниже уровня, рекомендуемого в настоящем руководстве, то следует уменьшить скорость или увеличить высоту скашивания.

Центральные линии на передних колесах показывают ширину полосы скашивания. Используйте их в качестве направляющих, косите полосами. Чтобы равномерно подстричь газон, захватывайте половину или третью часть предыдущей полосы.

► Рис.34: 1. Ширина скашивания 2. Зона захвата 3. Центральная линия

Каждый раз меняйте направление движения, чтобы избежать пригибания травы в одном направлении.

► Рис.35

Периодически проверяйте степень заполнения корзины для травы. Опорожните корзину, прежде чем она заполнится полностью. Перед каждой проверкой обязательно останавливайте газонокосилку и извлекайте ключ блокировки и блок аккумулятора.

ПРИМЕЧАНИЕ: Эксплуатация газонокосилки с заполненной корзиной для травы мешает плавному вращению лезвия и оказывает дополнительную нагрузку на двигатель, что может привести к поломке.

Скашивание газона с высокой травой

Не старайтесь скашивать газон с длинной травой за один заход. Вместо этого выполняйте работу в несколько этапов. Стригите газон с интервалом в один или два дня до тех пор, пока он не станет ровным.

► Рис.36

ПРИМЕЧАНИЕ: Скашивание газона с длинной травой до короткого состояния за один заход может привести к его гибели. Скошенная трава также может застрять внутри корпуса косилки.

ПРИМЕЧАНИЕ: Если после скашивания трава выглядит неровной или в процессе скашивания наблюдается снижение оборотов двигателя, следует уменьшить скорость скашивания или увеличить высоту скашивания.

Опорожнение корзины для травы

⚠ ОСТОРОЖНО: Чтобы снизить риск несчастного случая, регулярно проверяйте корзину для травы на предмет повреждений и потери прочности. При необходимости замените ее.

1. Отпустите рычаг переключателя и рычаг привода (для DLM481/DLM539) или отпустите рычаг переключателя (для DLM480/DLM538).
2. Извлеките ключ блокировки.
3. Откройте заднюю крышку и извлеките корзину для травы за специальную рукоятку.

► Рис.37: 1. Задняя крышка 2. Ручка 3. Корзина для травы

4. Опорожните корзину для травы.

ОБСЛУЖИВАНИЕ

▲ ОСТОРОЖНО: Перед помещением на хранение, переноской, осмотром или техническим обслуживанием газонокосилки обязательно вынимайте ключ блокировки и блок аккумулятора.

▲ ОСТОРОЖНО: Если газонокосилка не используется, обязательно извлеките ключ блокировки. Храните ключ блокировки в безопасном месте, недоступном для детей.

▲ ОСТОРОЖНО: При осмотре и обслуживании надевайте защитные перчатки.

▲ ОСТОРОЖНО: При осмотре и техническом обслуживании газонокосилки обязательно надевайте защитные очки с боковыми щитками.

ПРИМЕЧАНИЕ: Запрещается использовать бензин, растворители, спирт и другие подобные жидкости. Это может привести к обесцвечиванию, деформации и трещинам.

Для обеспечения БЕЗОПАСНОСТИ и НАДЕЖНОСТИ оборудования ремонт, любое другое техобслуживание или регулировку необходимо производить в уполномоченных сервис-центрах Makita или сервис-центрах предприятия с использованием только сменных частей производства Makita.

Обслуживание

1. Вытащите ключ блокировки и блоки аккумулятора и закройте крышку отсека аккумулятора.
2. Положите газонокосилку на бок. Удалите обрезки травы с днища газонокосилки.
3. Вода должна стекать к нижней части устройства, где крепится лезвие.

ПРИМЕЧАНИЕ: Запрещается мыть устройство струей воды с высоким напором.

4. Проверьте надежность затяжки всех гаек, болтов, винтов и т. п.
5. Осмотрите подвижные части на предмет повреждений, поломок и износа. Необходимо отремонтировать или заменить поврежденные компоненты.
6. Храните газонокосилку в безопасном месте, недоступном для детей.

Для DLM481/DLM539

ПРИМЕЧАНИЕ: Не допускайте попадания воды на зону, показанную на рисунке. Попадание воды на узел двигателя может привести к неисправности машины.

- **Рис.38:** 1. Зона, куда не следует допускать попадания воды

Для DLM481/DLM539

ПРИМЕЧАНИЕ: Не поливайте водой машину, когда она находится в вертикальном положении, как показано на рисунке. Когда машина находится в вертикальном положении, вода может попасть в узел двигателя и вызвать поломку машины.

- **Рис.39**

Переноска газонокосилки

▲ ВНИМАНИЕ: Прежде чем переносить газонокосилку, обязательно извлеките блок аккумулятора и ключ блокировки.

При переноске газонокосилки два человека должны удерживать ее за заднюю рукоятку и за расположенный в передней части машины участок для удержания снизу, как показано на рисунке.

- **Рис.40:** 1. Участок для удержания снизу
2. Задняя рукоятка

Хранение

▲ ВНИМАНИЕ: При установке машины в вертикальное положение ее следует разместить на ровной и устойчивой поверхности. Если поставить машину на неустойчивую поверхность, она может опрокинуться и нанести травмы.

Храните газонокосилку в помещении, в сухом, прохладном, запираемом месте. Не храните газонокосилку и зарядное устройство в местах, где температура может подниматься до 40 °C и выше.

1. Извлеките блок аккумулятора и ключ блокировки.
2. Оттянув поворотную ручку на нижней рукоятке, поверните ее на 90°, чтобы освободить фиксирующий штифт. Выполните ту же процедуру с другой стороны, а затем сложите рукоятку.

- **Рис.41:** 1. Поворотная ручка

ПРИМЕЧАНИЕ: Поддерживание рукоятки облегчает высвобождение фиксирующего штифта при оттягивании поворотной ручки.

3. Поверните поворотную ручку с обеих сторон на 90°. Убедитесь в том, что поворотные ручки надежно зафиксированы.

Для DLM481/DLM539

- **Рис.42:** 1. Поворотная ручка

Для DLM480/DLM538

- **Рис.43:** 1. Поворотная ручка

ПРИМЕЧАНИЕ: Складывая рукоятку, соблюдайте осторожность, чтобы не защемить провода.

4. Ослабьте накатные гайки с обеих сторон и сложите верхнюю рукоятку, как показано на рисунке.
- **Рис.44:** 1. Накатная гайка 2. Верхняя рукоятка

5. Установите машину в вертикальное положение.

ПРИМЕЧАНИЕ: При установке косилки в вертикальное положение не пытайтесь удерживать ее только за рукоятку; придерживайте корпус косилки и рукоятку.

6. Корзину для травы следует хранить так, как показано на рисунке.

► **Рис.45:** 1. Корзина для травы

► **Рис.46:** 1. Корзина для травы

Снятие или установка лезвия косилки

▲ОСТОРОЖНО: После отпущения выключателя лезвие продолжает вращаться по инерции в течение нескольких секунд. Не приступайте к выполнению каких-либо операций, пока лезвие полностью не остановится.

▲ОСТОРОЖНО: Обязательно извлекайте ключ блокировки и блок аккумулятора при снятии и установке лезвия. Невыполнение этого требования может привести к тяжелой травме.

▲ОСТОРОЖНО: При работе с лезвием обязательно надевайте защитные перчатки.

ПРИМЕЧАНИЕ: При снятии или установке лезвия газонокосилки используйте накидной ключ, поставляемый в комплекте с машиной.

Снятие лезвия газонокосилки

1. Положите газонокосилку на бок, чтобы рычаг регулировки высоты скашивания оказался снизу.
2. Чтобы заблокировать лезвие, вставьте штифт в отверстие на корпусе газонокосилки до упора.
3. Открутите болт против часовой стрелки торцевым ключом на 17.

► **Рис.47:** 1. Лезвие газонокосилки 2. Штифт
3. Торцевой ключ

4. Выкрутите болт, а затем снимите лезвие газонокосилки.

► **Рис.48:** 1. Опора лезвия 2. Лезвие газонокосилки
3. Болт 4. Выступ

ПРИМЕЧАНИЕ: Во время установки лезвия газонокосилки убедитесь в том, что выступы на опоре лезвия входят в отверстия на лезвии газонокосилки.

Установка лезвия газонокосилки

▲ОСТОРОЖНО: Осторожно установите лезвие газонокосилки. Лезвие имеет верхнюю и нижнюю стороны.

▲ОСТОРОЖНО: Надежно затяните болт по часовой стрелке, чтобы зафиксировать лезвие.

▲ОСТОРОЖНО: Убедитесь в том, что лезвие газонокосилки и все крепежные детали установлены правильно и надежно затянуты.

▲ОСТОРОЖНО: При замене лезвий всегда следуйте инструкциям, приведенным в этом руководстве.

ПРИМЕЧАНИЕ: При затягивании болта для установки лезвия газонокосилки прикладывайте усилие затяжки 19 - 29 Н•м (данные значения указаны только в справочных целях).

ПРИМЕЧАНИЕ: После установки лезвий газонокосилки извлеките штифт из корпуса газонокосилки.

Установка лезвий газонокосилки выполняется в порядке, обратном процедуре снятия.

ПОИСК И УСТРАНЕНИЕ НЕИСПРАВНОСТЕЙ

Прежде чем обращаться по поводу ремонта, проведите осмотр самостоятельно. Если обнаружена неисправность, не указанная в руководстве, не пытайтесь разобрать инструмент. Обратитесь в один из авторизованных сервисных центров Makita, в которых для ремонта используются только оригинальные детали Makita.

Состояние неисправности	Возможная причина (неисправности)	Способ устранения
Газонокосилка не запускается.	Не установлены два блока аккумулятора.	Установите два заряженных блока аккумулятора.
	Неисправен аккумулятор (пониженное напряжение)	Зарядите блок аккумулятора. Если перезарядка не помогает, замените блок аккумулятора.
	Ключ блокировки не вставлен.	Вставьте ключ блокировки.
После непродолжительного использования двигатель останавливается.	Низкий уровень заряда аккумулятора.	Зарядите блок аккумулятора. Если перезарядка не помогает, замените блок аккумулятора.
	Установлена слишком малая высота срезания.	Увеличьте высоту срезания.
	Засорение газонокосилки срезанной травой.	Удалите траву из газонокосилки.
Двигатель не достигает максимальной частоты вращения.	Неправильно установлен блок аккумулятора.	Вставьте блок аккумулятора, как описано в этом руководстве.
	Заряд аккумулятора падает.	Зарядите блок аккумулятора. Если перезарядка не помогает, замените блок аккумулятора.
	Привод работает неправильно.	Обратитесь в местный авторизованный центр для ремонта.
Лезвие газонокосилки не вращается: ⇒ немедленно выключите косилку!	Посторонний объект (например, ветка) застрял рядом с лезвием.	Удалите посторонний предмет.
	Привод работает неправильно.	Обратитесь в местный авторизованный центр для ремонта.
Сильная вибрация: ⇒ немедленно выключите косилку!	Лезвие разбалансировано, изношено слишком сильно или неравномерно.	Замените лезвие.

ДОПОЛНИТЕЛЬНЫЕ ПРИНАДЛЕЖНОСТИ

⚠ ВНИМАНИЕ: Эти принадлежности или насадки рекомендованы для использования с машиной Makita, указанной в этом руководстве. Использование других принадлежностей или насадок может привести к травме. Используйте принадлежность или насадку только по назначению.

Если вам необходимо содействие в получении дополнительной информации по этим принадлежностям, свяжитесь с вашим сервис-центром Makita.

- Лезвие газонокосилки
- Оригинальный аккумулятор и зарядное устройство Makita

ПРИМЕЧАНИЕ: Некоторые элементы из списка могут входить в комплект машины в качестве стандартных принадлежностей. Они могут различаться в зависимости от страны.

ТЕХНИКАЛЫҚ СИПАТТАМАЛАРЫ

Үлгі:	DLM480	DLM481	DLM538	DLM539
Шабу ені (жүзінің диаметрі)	480 мм		534 мм	
Жүктемесіз жылдамдығы	3 100 мин ⁻¹		3 000 мин ⁻¹	
Ауыстырылатын шапқыш жүзінің бөлшек нөмірі	Тура шапқыш жүзі	191V97-3		191V96-5 / 191W87-2
	Қопсытқыш пышақ	191Y64-6		191Y65-4
Өлшемдері (Ұ x Е x Б)	жұмыс кезінде	Ұ: 1 690 мм - 1 740 мм Е: 530 мм Б: 930 мм - 1 060 мм		Ұ: 1 810 мм - 1 870 мм Е: 580 мм Б: 920 мм - 1 040 мм
	сақтаған кезде (шыны себетсіз)	580 мм x 530 мм x 870 мм		610 мм x 580 мм x 925 мм
Жүріс жылдамдығы	–	2,5 - 5,0 км/сағ	–	2,5 - 5,0 км/сағ
Номиналды кернеуі	36 В ТТ			
Таза салмағы	24,5 - 26,8 кг	27,0 - 29,3 кг	25,5 - 28,0 кг	27,9 - 30,4 кг
Қорғаныс деңгейі	IPX4			

- Зерттеу мен өзірлеудің үздіксіз бағдарламасына байланысты осы құжаттағы техникалық сипаттамалар ескертусіз өзгертілуі мүмкін.
- Техникалық сипаттамалары әр елде әр түрлі болуы мүмкін.
- Өнімнің салмағы аккумулятор картриджі сияқты қондырма(лар)ға байланысты әр түрлі болуы мүмкін. EPTA-Procedure 01/2014 стандарты бойынша ең жеңіл және ең ауыр комбинация кестеде көрсетілген.

Жарамды аккумулятор картриджі мен зарядтау құрылғысы

Аккумулятор картриджі	BL1815N / BL1820B / BL1830B / BL1840B / BL1850B / BL1860B
Зарядтау құрылғысы	DC18RC / DC18RD / DC18RE / DC18SD / DC18SE / DC18SF / DC18SH / DC18WC





- Жоғарыда берілген аккумулятор картриждері мен зарядтау құрылғыларының кейбірі сіздің тұрып жатқан жеріңізге байланысты қолжетімсіз болуы мүмкін.

⚠ ЕСКЕРТУ: Тек жоғарыда аталған аккумулятор картриждері мен зарядтау құрылғыларын ғана пайдаланыңыз. Аккумулятор картриждері мен зарядтау құрылғыларының басқа түрлерін пайдалансаңыз, жарақат алуыңыз және/немесе өрт шығуы мүмкін.

⚠ ЕСКЕРТУ: Бұл машинамен зарядтау құрылғысының жалғастырғышы сияқты сымды қуат көзін немесе портативті қуат беру блогын пайдаланбаңыз. Бұндай қуат көзінің кабелі жұмысқа кедергі келтіріп, дене жарақатын алуға себеп болуы мүмкін.

Белгілер

Төменде жабдықта пайдаланылуы мүмкін белгілер көрсетілген. Пайдалану алдында олардың мағынасын түсініп алыңыз.

	Өте мұқият әрі абай болыңыз.
	Пайдалану жөніндегі нұсқаулықты оқып шығыңыз.
	Қауіп; қатты заттар жан-жаққа ұшуы мүмкін.
	Құрал мен бөгде адамдар арасындағы қашықтық кемінде 15 м болуы қажет.



Шапқыш астындағы пышақтың жанына қол мен аяқты қоюға болмайды. Мотор өшірілгенде, шапқыштың пышақтары айналып тұрады.



Шапқышты тексеру, реттеу, тазалау, қызмет көрсету, қалдыру және сақтау алдында құлыптау кілтін алыңыз.



Ескерту; аккумуляторды текқызымет көрсетпес бұрын ажыратыңыз.



Электр тогының соғу қаупі. Су тию электр тогының соғуына әкелуі мүмкін.



Су себуге болмайды.



Тек ЕО елдеріне арналған Жабдықта қауіпті құрамдастардың болуына байланысты, электрлік және электрондық жабдықтардың, аккумуляторлар мен батареялардың қалдықтары қоршаған ортаға және адам денсаулығына кері әсерін тигізуі мүмкін. Электрлік және электрондық құрылғыларды немесе батареяларды тұрмыстық қалдықтармен бірге тастауға болмайды! Электрлік және электрондық жабдықтардың қалдықтары және аккумуляторлар мен батареялар және аккумуляторлар мен батареялардың қалдықтары, сондай-ақ олардың ұлттық заңнамаға бейімделуі туралы Еуропалық директиваға сәйкес, электрлік жабдықтардың, батареялардың және аккумуляторлардың қалдықтары бөлек жиналуы және қоршаған ортаны қорғау ережелеріне сәйкес жұмыс істейтін тұрмыстық қалдықтарды жинау пунктіне жеткізілуі керек. Бұл жабдыққа орналастырылған айқас сызықпен сызылған дөңгелекті қоқыс жәшігінің белгісі арқылы көрсетіледі.



Кепілдік берілетін дыбыс қысымының деңгейі ЕО сыртқы шуыл бойынша директивасына сәйкес келеді.



Дыбыс қуатының деңгейі Австралияның NSW шуылды басқару туралы ережесіне сәйкес келеді

Қолдану мақсаты

Машина көгалды шабуға арналған.

Шу

EN IEC 62841-4-3 стандартына сай анықталған стандартты А-өлшенген шу деңгейі:

Үлгісі	Өлшенген дыбыс қуатының деңгейі (L_{WA}): (дБА)	Кепілді дыбыс қуатының деңгейі (L_{WA}): (дБА)
DLM480	92	95
DLM481	92	95
DLM538	95	98
DLM539	95	98

Үлгісі	Дыбыс қысымының деңгейі (L_{pA}): (дБА)	Дыбыс қысымы белгісіздігі (K): (дБА)
DLM480	84	3
DLM481	84	3
DLM538	85	3
DLM539	85	3

ЕСКЕРТПЕ: Шудың жарияланған таралу мән(дер) і стандартты сынау әдісіне сәйкес өлшенген және оны бір құралды екінші құралмен салыстыру үшін пайдалануға болады.

ЕСКЕРТПЕ: Жарияланған шуды сондай-ақ әсерді алдын ала бағалау үшін пайдалануға болады.

▲ЕСКЕРТУ: Қорғаныс құлаққабын киіңіз.

▲ЕСКЕРТУ: Электрлік құралды іс жүзінде пайдалану кезіндегі шудың таралу мөні құралдың пайдалану әдісіне, әсіресе қандай дайындама өңделгеніне байланысты жарияланған мәнінен өзгеше болуы мүмкін.

▲ЕСКЕРТУ: Іс жүзінде пайдалану кезіндегі әсерді бағалау негізінде операторды қорғау үшін қауіпсіздік шараларын анықтаңыз (құралдың өшірілген уақыты және бос жүріс уақытын қоса алғанда, іске қосылу уақыты сияқты барлық жұмыс циклдерін ескеру керек).

Діріл

EN IEC 62841-4-3 сәйкес анықталған дірілдің жалпы мәні (үш осьтік векторлық сома):

DLM480 үлгісі

Дірілдің таралуы (a_n): 2,5 м/с² немесе одан аз
Дәлсіздік (K): 1,5 м/с²

DLM481 үлгісі

Дірілдің таралуы (a_n): 2,5 м/с² немесе одан аз
Дәлсіздік (K): 1,5 м/с²

DLM538 үлгісі

Дірілдің таралуы (a_n): 2,5 м/с² немесе одан аз
Дәлсіздік (K): 1,5 м/с²

DLM539 үлгісі

Дірілдің таралуы (a_n): 2,5 м/с² немесе одан аз
Дәлсіздік (K): 1,5 м/с²

ЕСКЕРТПЕ: Дірілдің жарияланған жалпы мән(дер) і стандартты сынау әдісіне сәйкес өлшенген және оны бір құралды екінші құралмен салыстыру үшін пайдалануға болады.

ЕСКЕРТПЕ: Сондай-ақ дірілдің жарияланған жалпы мән(дер)ін әсерді алдын ала бағалау үшін пайдалануға болады.

▲ЕСКЕРТУ: Электрлік құралды іс жүзінде пайдалану кезіндегі дірілдің мәні құралдың пайдалану әдісіне, әсіресе қандай дайындама өңделгеніне байланысты жарияланған мән(дер)інен өзгеше болуы мүмкін.

▲ЕСКЕРТУ: Іс жүзінде пайдалану кезіндегі әсерді бағалау негізінде операторды қорғау үшін қауіпсіздік шараларын анықтаңыз (құралдың өшірілген уақыты және бос жүріс уақытын қоса алғанда, іске қосылу уақыты сияқты барлық жұмыс циклдерін ескеру керек).

Техникалық регламенттердің талаптарына сәйкестік туралы декларациялар

Тек Еуропа елдеріне арналған

Сәйкестік декларациялары осы пайдалану жөніндегі нұсқаулықтың А қосымшасына қосылған.

ҚАУІПСІЗДІК БОЙЫНША ЕСКЕРТУЛЕР

Электрлік құралдың жалпы қауіпсіздік ескертулері

⚠️ ЕСКЕРТУ: Осы электрлік құралмен бірге берілген қауіпсіздік ескертулерін, нұсқауларды, суреттерді және техникалық сипаттамаларды оқып шығыңыз. Төменде берілген барлық нұсқауды орындамаған жағдайда, электр тогының соғуы, өрт шығуы және/немесе ауыр жарақат алуға себеп болуы мүмкін.

Алдағы уақытта қолдану үшін барлық ескерту мен нұсқауды сақтап қойыңыз.

Ескертулердегі "электрлік құрал" термині қуат көзінен жұмыс істейтін (сымды) электрлік құралды немесе аккумулятормен жұмыс істейтін (сымсыз) электрлік құралды білдіреді.

Жұмыс аймағындағы қауіпсіздік

1. **Жұмыс аймағы таза әрі жарық болуы керек.** Лас немесе қараңғы аймақтарда жазатайым оқиғалар туындауы мүмкін.
2. **Электрлік құралды айналасында тез тұтанатын сұйықтық, газ немесе шаң сияқты заттардан тұратын жарылыс қаупі бар орталарда пайдаланбаңыз.** Электрлік құралдар шаң немесе газды тұтандыратын электр ұшқындарын шығарады.
3. **Электрлік құралды пайдаланған кезде, балалар және бөгде адамдар алшақ жүруі керек.** Басқа нәрсеге аландасаңыз, құралға ие бола алмай қалуыңыз мүмкін.

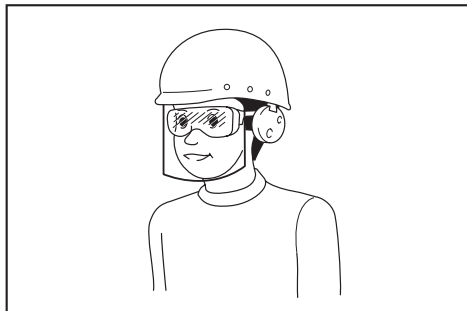
Электрлік қауіпсіздік

1. **Электрлік құралдың ашасы розеткаға сәйкес келуі керек.** Ашаны ешбір жағдайда өзгертпеңіз. Адаптер ашаларын жерге тұйықталған электрлік құралдармен пайдаланбаңыз. Өзгертілмеген ашалар мен сәйкес келетін розеткалар электр тогының соғу қаупін азайтады.
2. **Түтіктер, радиаторлар, жылу батареялары және тоңазытқыштар сияқты жерге тұйықталған бұйымдарды ұстамаңыз.** Егер денеңіз жерге тұйықталатын болса, ток соғу қаупі жоғары болады.
3. **Электрлік құралды жаңбырда немесе ылғалды жағдайларда пайдалануға болмайды.** Өйтпесе, ток соғу қаупі артуы мүмкін.
4. **Қуат сымын дұрыс пайдаланыңыз.** Электрлік құралды тасу, тарту немесе қуат көзінен ажырату үшін қуат сымын пайдалануға болмайды. Қуат сымына ыстық зат, май, өткір жиек немесе қозғалмалы бөлшектер тимеуі керек. Зақымдалған немесе оралған қуат сымдары ток соғу қаупін арттырады.
5. **Электрлік құралды сыртта пайдаланғанда, сыртта қолдануға жарамды ұзартқышты қолданыңыз.** Сыртта қолдануға жарамды шнурды пайдалану ток соғу қаупін азайтады.
6. **Егер электрлік құралды ылғалды жерде пайдалану керек болса, қорғаныстық ажырату құрылғысын (RCD) пайдаланыңыз.** Қорғаныстық ажырату құрылғысын пайдалану ток соғу қаупін азайтады.
7. **Электрлік құралдар электрмагниттік өрістер шығарады, ол пайдаланушыға қауіпті емес.** Дегенмен электрокардиостимулятор және соған ұқсас басқа медициналық құрылғылардың пайдаланушылары электрлік құралды пайдаланбас бұрын, өндірушімен және/немесе дәрігермен кеңесуі керек.

Жеке қауіпсіздік

1. **Электрлік құралды пайдаланған кезде, жасап жатқан жұмысыңызға қырағылық танытып, мұқият болыңыз.** Шаршағанда немесе есірткі, алкоголь немесе дәрі-дәрмектің әсерінде болған кезде электрлік құралды пайдаланбаңыз. Электрлік құралды пайдалану кезінде сәл ғана аңсыздық таныту ауыр жарақатқа әкелуі мүмкін.
2. **Жеке қорғаныс құралдарын пайдаланыңыз.** Міндетті түрде қорғаныс көзілдірігін тағыңыз. Шаңнан қорғайтын маска, сырғанамайтын қорғаныс аяқ киімі, каска немесе құлақпан сияқты қорғаныс жабдықтарын тиісті жағдайларда қолдану жарақаттануды азайтады.
3. **Кездесісөз іске қосудың алдын алыңыз.** Құралды қуат көзіне және/немесе аккумулятор блогына қоспас бұрын, оны жинап немесе тасымалдамас бұрын, ауыстырып-қосқыш өшірулі күйде екеніне көз жеткізіңіз. Саусақ электрлік құралдың ауыстырып-қосқышында тұрған кезде оны тасымалдау немесе ауыстырып-қосқышы қосулы электрлік құралды қуат көзіне қосу жазатайым оқиғаға әкел соғуы мүмкін.
4. **Электрлік құралды қоспас бұрын, реттегіш немесе сомынды бұрайтын кілттерді алып тастаңыз.** Электрлік құралдың айналмалы бөлігінде реттегіш немесе сомынды бұрайтын кілт бекітулі қалса, жарақаттауы мүмкін.
5. **Тым артық күш салмаңыз.** Әрдайым тұрақты және тепе-теңдік сақтайтын күйде болыңыз. Бұл күтпеген жағдайда электрлік құралды жақсы басқаруға мүмкіндік береді.
6. **Жұмысқа сай киініңіз.** Бос киім кимеңіз және ешекей тақпаңыз. Шашыңызды және киіміңізді қозғалмалы бөлшектен алшақ ұстаңыз. Бос киім, әшекейлер немесе ұзын шаш қозғалмалы бөлшектерге ілініп қалуы мүмкін.
7. **Шаң тұту және жинау құрылғылары қамтамасыз етілген болса, олардың қосулы екендігіне және дұрыс қолданылып жатқанына көз жеткізіңіз.** Шаң жинау құрылғысын пайдалану шаңмен байланысты қауіпті азайтуы мүмкін.
8. **Құралды жиі пайдалану нәтижесінде босансып, қауіпсіздік қағидаларын елеусіз қалдырмаңыз.** Салғырттық таныту бір мезетте ауыр жарақатқа әкел соқтыруы мүмкін.

9. **Электрлік құралды пайдаланған кезде көзіңізді жарақаттап алмау үшін міндетті түрде қорғаныс көзілдірігін тағыңыз. Қорғаныс көзілдіріктері АҚШ-та ANSI Z87.1, Еуропада EN 166 немесе Австралияда/ Жаңа Зеландияда AS/NZS 1336 қауіпсіздік стандарттарымен сәйкес келуі керек. Австралияда/Жаңа Зеландияда бетіңізді қорғау үшін қорғаныс маскасын кию заң негізінде талап етіледі.**



Құрал пайдаланушылары мен жұмыс аймағындағы басқа да тұлғалардың тиісті қауіпсіздік қорғаныс жабдықтарын пайдалануын қамтамасыз ету жұмыс берушінің жауапкершілігінде.

Электрлік құралды пайдалану және күтім жасау

1. **Электрлік құралға артық күш түсірмеңіз. Орындалатын жұмысқа сәйкес келетін электрлік құралды пайдаланыңыз. Дұрыс таңдалған электрлік құрал өзіне жүктелген жұмысты жақсы және қауіпсіз істейді.**
2. **Ауыстырып-қосқышы ақаулы электрлік құралды пайдаланбаңыз. Ауыстырып-қосқышы ақаулы кез келген электрлік құрал қауіп төндіреді және оны жөндеу керек.**
3. **Кез келген реттеулер жасамас бұрын, керек-жарақтарды ауыстырмас бұрын немесе электрлік құралдарды уақытқа сақтамас бұрын, ашаны қуат көзінен ажыратыңыз және/немесе аккумулятор блогы бар болса, оны шығарып алыңыз. Осындай алдын алу шаралары электрлік құралдың кездейсоқ іске қосылу қаупін азайтады.**
4. **Электрлік құралдарды балалардың қолы жетпейтін жерде сақтаңыз, сонымен қатар электрлік құралмен жұмыс істей алмайтын және осы нұсқауларды оқымаған тұлғаларға құралды пайдалануға рұқсат етпеңіз. Арнайы оқытудан өтпеген пайдаланушылар үшін электрлік құрал қауіп төндіреді.**
5. **Электр құралдарына және керек-жарақтарға техникалық қызмет көрсетіңіз. Қозғалмалы бөлшектердің ауытқуы және оралуы, зақымдалған бөлшектер және электрлік құралдың жұмысына кері әсер ететін басқа жағдайлардың бар-жоғын тексеріңіз. Зақымы болса, электрлік құралды жөндеген соң бірақ пайдаланыңыз. Жазатайым оқиғалардың көбі электрлік құралдарға дұрыс техникалық қызмет көрсетілмеу себебінен болады.**

6. **Кесу құралдары өткір және таза болуы керек. Кескіш жиектері өткір кесу құралдарын дұрыс пайдалансаңыз, олар тұрып қалмайды және басқаруға оңай.**
7. **Электрлік құралды, керек-жарақтарды және қондырмаларды, т.б. жұмыс жағдайы мен орындалатын жұмысты ескере отырып, осы нұсқауларға сәйкес пайдаланыңыз. Электрлік құралды басқа мақсатта пайдаланған жағдайда, қауіпті жағдай туындауы мүмкін.**
8. **Тұтқалардың және жұмыс орындалатын беттердің құрғақ, таза және майлы болмауын қамтамасыз етіңіз. Тұтқалар және қолмен ұстайтын беттер тайғақ болса, күтпеген жағдай орын алғанда, құралды пайдалану және оған ие болу мүмкін болмайды.**
9. **Электрлік құралды пайдаланған кезде, ішіне тартылу матадан жасалған қорғаныс қолғабын кимеңіз. Матадан жасалған қорғаныс қолғаптары қозғалмалы бөлшектерге ілініп қалса, жарақаттауы мүмкін.**

Аккумулятормен жұмыс істейтін құралды пайдалану және күтім жасау

1. **Тек өндіруші көрсеткен зарядтау құрылғысымен зарядтаңыз. Бір аккумулятор блогына сәйкес келетін зарядтау құрылғысын басқа аккумулятор блогымен пайдалану өрт қаупін тудыруы мүмкін.**
2. **Электрлік құралдарды тек көрсетілген аккумулятор блоктарымен пайдаланыңыз. Кез келген басқа аккумулятор блоктарын пайдалану жарақат алу мен өрт шығу қаупін тудыруы мүмкін.**
3. **Аккумулятор блогын пайдаланбаған кезде, оны қағаз қыстырғыштар, тиындар, кілттер, шегелер, бұрандалар сияқты металл заттар мен бір клеммадан екіншісіне қосылыс жасау мүмкін басқа шағын металл заттардан аулақ ұстаңыз. Аккумулятор клеммаларының қысқа тұйықталуы күйік шалуға немесе өртке әкеп соғуы мүмкін.**
4. **Дұрыс пайдаланбаған кезде аккумулятордан сұйықтық ағуы мүмкін; оған тимеуге тырысыңыз. Егер абайсызда тиіп кетсеңіз, сумен шайыңыз. Егер сұйықтық көзге тиген болса, медициналық көмекке жүгініңіз. Аккумулятордан шыққан сұйықтық тітіркену немесе күйікке себеп болуы мүмкін.**
5. **Зақымдалған немесе өзгертілген аккумулятор блогын пайдаланбаңыз. Зақымдалған немесе өзгертілген аккумуляторлардан нәтижесінде өрт, жарылыс немесе жарақат алу қаупіне әкелетін күтпеген жағдайлар туындауы мүмкін.**
6. **Аккумулятор блогын немесе құралды от немесе шамадан тыс жоғары температура шығаратын заттың жанына қоймаңыз. Отқа түссе немесе температура 130 °C-тан жоғары болса, жарылуы мүмкін.**
7. **Зарядтауға қатысты нұсқаулардың барлығын орындаңыз және аккумулятор блогын немесе құралды нұсқауларда көрсетілген температура ауқымынан тыс зарядтамаңыз. Дұрыс зарядтамаласа немесе көрсетілген ауқымнан тыс температурада зарядталса, аккумулятор зақымдалуы және өрт шығу қаупі артуы мүмкін.**

Қызмет көрсету

1. **Электрлік құралға қызмет көрсетуді тек қаа жөндеу бойынша білікті аман тиісті қосалқы бөлшектерді пайдаланып жүзеге асыруы қажет.** Бұл электрлік құралдың қауіпсіздігін қамтамасыз етеді.
2. **Зақымдалған аккумулятор блоктарына қызмет көрсетуге болмайды.** Аккумулятор блоктарына қызмет көрсетуді өндіруші немесе өкілетті қызмет маманы орындауы тиіс.
3. **Керек-жарақтарды майлау және ауыстыру нұсқауын орындаңыз.**

Аккумуляторлы шөп шапқыштың қауіпсіздік техникасы бойынша ескертулер

1. **Көгал шапқышты жайсыз ауа райы жағдайларында, өсіресе найзағай соғу қаупі бар кезде пайдаланбаңыз.** Бұл найзағай соғу қаупін азайтады.
2. **Көгал шапқыш пайдаланылатын аймақта жабайы жануарлардың бар-жоғын мұқият тексеріңіз.** Жұмыс кезінде көгал шапқыш жабайы жануарларды жарақаттауы мүмкін.
3. **Көгал шапқыш пайдаланылатын аймақты мұқият тексеріңіз және барлық тастарды, таяқтарды, сымдарды, сүйектерді және басқа бөгде заттарды алып тастаңыз.** Лақтырылған заттар ауыр жарақатқа өкелуі мүмкін.
4. **Көгал шапқышты пайдалану алдында, әрдайым жүздің және жүз жинағының тозбағанын немесе зақымдалмағанын визуалды түрде тексеріңіз.** Тозған немесе зақымдалған бөлшектер жарақат алу қаупін арттырады.
5. **Шөп қысқыштың тозу немесе нашарлау белгілерінің бар-жоғын жиі тексеріңіз.** Тозған немесе зақымдалған шөп қысқыш дене жарақатын алу қаупін арттырады.
6. **Сақтандырғыштарды орнында сақтаңыз.** Сақтандырғыштар жұмыс істеуге жарамды күйде болуы және дұрыс орнатылуы керек. Босап қалған, зақымдалған немесе дұрыс жұмыс істемейтін сақтандырғыш дене жарақатына өкелуі мүмкін.
7. **Барлық суытатын ауа кірістерін қоқыстардан тазалаңыз.** Бітелген ауа кірістері және қоқыс қызып кету немесе өрт қаупіне өкелуі мүмкін.
8. **Көгал шапқышпен жұмыс істеу барысында, ерқашан сырғанамайтын қорғаныс аяқ киімін киіңіз.** Жалаңаяқ жүргенде немесе ашық сандалдар киген кезде, көгал шапқышты пайдалануға болмайды. Бұл жылжымалы жүзге тиіп кетуден болатын аяқ жарақатын алу қаупін азайтады.
9. **Көгал шапқышты пайдаланған кезде, әрдайым ұзын шалбар киіңіз.** Ашық қалған тері лақтырылған заттардан жарақат алу қаупін арттырады.

10. **Көгал шапқышты сулы шөпте пайдаланбаңыз.** Жүгірмей, жай жүріңіз. Бұл дене жарақатына өкелуі мүмкін тайып кету мен құлау қаупін азайтады.
11. **Көгал шапқышты шамадан тыс еңіс жерлерде пайдаланбаңыз.** Бұл дене жарақатына өкелуі мүмкін басқаруды жоғалту, тайып кету мен құлау қаупін азайтады.
12. **Еңіс жерлерде жұмыс істеген кезде, тұрақты қалыпта тұрыңыз, еңіс жерлерде көлденең бағытта жұмыс істеміз, жоғары немесе төмен жүрмеңіз, бағытты өзгерткен кезде аса мұқият болыңыз.** Бұл дене жарақатына өкелуі мүмкін басқаруды жоғалту, тайып кету мен құлау қаупін азайтады.
13. **Көгал шапқышты тартқанда немесе кері жүргізгенде өте абай болыңыз.** Әрдайым айналаңызды байқап жүріңіз. Бұл жұмыс кезінде сүріну қалу қаупін азайтады.
14. **Басқа қауіпті жылжымалы бөлшектер мен жүздер қозғалып жатқанда, оларды ұстамаңыз.** Бұл жылжымалы бөлшектерден болатын жарақат алу қаупін азайтады.
15. **Кептелген материалды тазалағанда немесе құрылғыны тазалаған кезде, барлық қуат ауыстырып-қосқыштары өшірілгеніне және аккумулятор блогы ажыратылғанына көз жеткізіңіз.** Көгал шапқыштың кенеттен жұмыс істеп кетуі ауыр дене жарақатына себеп болуы мүмкін.

Қауіпсіздік техникасы бойынша қосымша ескертулер

Оқыту

1. **Нұсқауларды мұқият оқып шығыңыз.** Шапқышты дұрыс пайдалану тәсілімен және оның басқару элементтерімен танысып шығыңыз.
2. **Бұл нұсқаулармен танысып шықпаған балалардың немесе адамдардың шапқышты пайдалануына рұқсат бермеңіз.** Жергілікті ережелерге сәйкес оператор жасына шектеу қойылуы мүмкін.
3. **Жақын жерде адамдар, өсіресе балалар немесе үй жануарлары болса, шапқышты пайдаланбаңыз.**
4. **Оператор немесе пайдаланушы басқа адамдарға немесе олардың мүлкіне байланысты туындайтын жазатайым оқиғаларға немесе қауіптерге жауапты екенін ескеріңіз.**

Дайындау

1. **Шабу алдында аймақта басқа адамдар жоқтығын тексеріңіз.** Аймаққа өлдекім кіріп кетсе, шапқышты тоқтатыңыз.
2. **Пайдалануға дайын болғанша шапқышқа құлыптау кілтін салуға болмайды.**
3. **Саңылауларға, сораптарға, соққыларға, тастарға немесе басқа жасырын нысандарға қараңыз.** Тегіс емес аймақ сырғу және құлау жағдайына себеп болуы мүмкін. Биік шөп, кедергілерді жасыруы мүмкін.
4. **Құлыптау кілтін жаңбырдың астында алып-салмаңыз.**

Пайдалану

1. Төмендегі жағдайларда, шапқышты тоқтатыңыз, құлыптау кілтін шығарып алыңыз, барлық қозғалмалы бөлшектердің толық тоқтағанына көз жеткізіңіз:
 - шапқышты қараусыз қалдырған кезде;
 - тұрып қалған заттарды кетіру немесе науаны босату алдында;
 - шапқышты тексеру, тазалау немесе онымен жұмыс істеу алдында.
 2. Шапқыш бөгде нысанға соғылса, осы қадамдарды орындаңыз:
 - шапқышты тоқтатыңыз, ауыстырғыш тетікті жіберіңіз және пышақтың толығымен тоқтауын күтіңіз;
 - құлыптау кілті мен аккумулятор картриджін шығарып алыңыз;
 - шапқыштың зақымдалмағанын дұрыстап тексеріңіз;
 - - қандай да бір зақымы бар пышақты ауыстырыңыз. Шапқышты қайта іске қосу және әрі қарай пайдалану алдында зақымдалған жерді жөндеңіз.
 3. Шапқыш әдеттен тыс дрілдей бастаса немесе әдеттен тыс бір нәрсе байқасаңыз, дереу мына әрекеттерді орындаңыз:
 - шапқышты тоқтатыңыз, ауыстырғыш тетікті жіберіңіз және пышақтың толығымен тоқтауын күтіңіз;
 - құлыптау кілті мен аккумулятор картриджін шығарып алыңыз;
 - зақымдалмағанын тексеріңіз және зақымдалған бөлшектерді ауыстырыңыз немесе жөндеңіз;
 - бөлшектердің босап кетпегенін тексеріп, босағандарын бекітіңіз.
 4. Шапқышты зақымдалған қалқандармен немесе қорғауыштармен не қауіпсіздік құрылғыларынсыз (мысалы, дефлекторлар және/немесе шөп себеті) пайдалануға болмайды.
 5. Шапқышты күндізгі уақытта немесе жақсы жасанды жарықпен пайдаланыңыз.
 6. Шапқышты нұсқауларға сәйкес және аяқтарыңызды жүз(дер)інен алыс ұстап мұқият қосыңыз.
 7. Шапқыш жүздерінің аяқ пен қолға келтіретін жарақаттан абай болыңыз.
 8. Шапқыш шөптен басқа беттерді шапқан кезде және шапқышты қолданылатын аймақтан жылжытқанда тасымалдау үшін еңкейтілсе, жүз(дер)ін тоқтатыңыз.
 9. Моторды қосқан кезде шапқышты еңкейтуге болмайды (шапқышты іске қосу үшін еңкейтілген жағдай ғана ескерілмейді). Мұндай жағдайда, толығымен қажеттіден аса еңкейтуге болмайды және тек оператордан алыс бөлшекті көтеріңіз. Шапқышты жерге қайтару алдында екі қол жұмыс күйінде екендігіне көз жеткізіңіз.
 10. Қолды немесе аяқты айналмалы бөлшектер жанына қоюға болмайды. Шығатын саңылауды үнемі таза ұстаңыз.
 11. Тұтқада үнемі берік ұстаңыз.
 12. Шапқышты көтергенде немесе ұстағанда қолданылған кескіш жүздерді немесе кескіш жиектерді ұстауға болмайды.
 13. Қол мен аяқты айналмалы бөлшектерден алыс ұстаңыз. Абайлаңыз - Шапқышты өшіргеннен кейін жүздері айналады.
 14. Шапқышта кесу биіктігін реттеу мүмкіндігі болса, шапқыш қосулы кезде кесу биіктігін реттеу жұмыстарына кірісуге болмайды.
 15. Қосқыш иінтірегін босатып, кіреберісті, жаяу жүретін жолдарды, жолдарды және қиыршықтаспен жабылған аймақтарды өтпес бұрын жүзінің айналуының тоқтауын күтіңіз. Сонымен қатар, шапқыштан шықсаңыз, жолдан тыс затты кетеру немесе алу керек болса не істеген ісіңізге кедергі келтіруі мүмкін себеп болса, құлыптау кілтін алыңыз.
 16. Шығатын саңылау алдында тұрған кезде шапқышты іске қосуға болмайды.
 17. Шыққан материалды әлдекімге бағыттауға болмайды. Материалды қабырғаға немесе кедергіге қарсы шығаруға болмайды. Материал операторға кері келуі мүмкін. Қиыршықтаспен жабылған беттерден өткен кезде жүзін тоқтатыңыз.
 18. Толығымен қажет болмайынша, шапқышты артқа тартуға болмайды. Шапқышты тақтайшадан немесе басқа ұқсас кедергіден артқа тартқанда асты мен артына мұқият қараңыз.
 19. Шөп қысқышты алу алдында моторды өшіріп, жүзінің толық тоқтауын күтіңіз. Өшіргеннен кейін, жүздері айналатынына көз жеткізіңіз.
 20. Машинаны лайлы жерде, ылғалды көлбеуде немесе тайпақ жерде пайдаланған кезде, тұрған жеріңізге назар аударыңыз.
 21. Пайдаланушының шаршағанын арттыратын нашар ортада жұмыс істеуге жол бермеңіз.
 22. Машинаны айналыны көру мүмкіндігі шектелген қолайсыз ауа-райында пайдаланбаңыз. Әйтпесе бұл айналының нашар көріну мүмкіндігіне байланысты құлап қалуға немесе дұрыс емес жұмыс істеуге себеп болуы мүмкін.
 23. Машинаны шалшыққа батырмаңыз.
 24. Жаңбырға байланысты сорғыш аузына (желдеткіш терезесі) ылғал жапырақтар немесе балшық жабысып қалса, оларды алыңыз.
 25. Машинаны қарда пайдалануға болмайды.
 26. Егер кесілетін шөп сулы болса, ол машинаның ішінде тұрып қалуы мүмкін. Машинаның күйін тұрақты түрде тексеріп тұрыңыз және жабысып қалған шөпті қажетінше алып тастаңыз.
 27. Машинамен жұмыс істеген кезде, құбыр желілері мен сымдарға назар аударыңыз.
- Техникалық қызмет көрсету және сақтау**
1. Шапқышты жүйелі тексеріп, техникалық қызмет көрсетіңіз.
 2. Жабдықтың қауіпсіз жұмыс жағдайында екеніне көз жеткізу үшін, барлық сомындарды, болттар мен бұрандаларды мықтап бекітіңіз.

3. Шөп себетін тозу немесе нашарлау белгілеріне жиі тексеріңіз. Сақтау үшін шөп себетінің бос екендігіне көз текжізіңіз. Қауіпсіздікті сақтау үшін тозған шөп себетін зауыттан шыққан нұсқасымен ауыстырыңыз.
4. Тек осы нұсқаулықта көрсетілген өндірушінің түпнұсқалы жүздерін пайдаланыңыз.
5. Шапқыштың қозғалмалы жүздері мен бекітілген бөлшектері арасында саусақтарыңыз қалып қалмас үшін, шапқышты реттеу барысында абай болыңыз.
6. Дұрыс бекемдеу үшін жүзін бекіту болтын жиі аралықтармен тексеріңіз.
7. Сақтау алдында шапқыштың сууына үнемі мүмкіндік беріңіз.
8. Жүздеріне қызмет көрсету кезінде, тіпті қуат көзінен ажыратылса да, жүздері қозғала беруі мүмкін.
9. Қауіпсіздік құрылғыларымен тұртуге немесе алуға болмайды. Дұрыс жұмысын жүйелі тексеріңіз. Қауіпсіздік құрылғысының арнайы функциясымен кедергі келтіруге немесе қауіпсіздік құрылғысымен берілген қорғанысты азайтуға болмайды.
10. Машинаны сыртта жаңбыр астында қараусыз қалдырмаңыз.
11. Машинаны жоғары қысымды сумен тазалауға болмайды.
12. Машинаны тазалаған кезде, аккумулятор мен құлыптау кілтін алып, аккумулятор қақпағын жабыңыз және машинаның жүзі бекітілген табанына қарай су құйыңыз.
13. Машинаны сақтау кезінде, оны тікелей күн сәулесі мен жаңбырдан қорғанды және оны ыстық немесе ылғалды жерде сақтамаңыз.
14. Жаңбыр жоқ жерде тексеріңіз немесе техникалық қызмет көрсетіңіз.
15. Машинаны пайдаланғаннан кейін, жабысып қалған кірді кетіріп, сақтау алдында машинаны толығымен құрғатыңыз. Маусым немесе аймаққа байланысты, мұздау себебінен ақаулық болуы мүмкін.

7. Аккумуляторды машинадан немесе зарядтау құрылғысынан алғаннан кейін, аккумулятор қақпағын міндетті түрде бекітіңіз және оны құрғақ жерде сақтаңыз.
8. Аккумуляторды су қолмен ауыстырмаңыз.
9. Қауіпті ортада жұмыс істемеңіз. Машинаны дымқыл немесе ылғалды жерлерде пайдаланбаңыз немесе жаңбыр астында қалдырмаңыз. Машинаға су кіретін болса, ток соғу қаупі артады.
10. Егер аккумулятор картриджіне су кіріп кетсе, ішіндегі суды төгіп, құрғақ шүберекпен сүртіңіз. Пайдалану алдында аккумулятор картриджін құрғақ жерде толық кептіріңіз.

ОСЫ НҰСҚАУЛАРДЫ САҚТАҢЫЗ.

⚠️ЕСКЕРТУ: Өнімді қайта пайдалану барысында САЛҒЫРТТЫҚ ТАНЫТПАЙ, қауіпсіздік ережелерін ұстаныңыз. Осы пайдалану жөніндегі нұсқаулықта келтірілген қауіпсіздік ережелерін ДҰРЫС ПАЙДАЛАНБАУ немесе орындамау ауыр жарақаттарға әкеп соқтыруы мүмкін.

Аккумулятор картриджіне арналған маңызды қауіпсіздік нұсқаулары

Электрлік және аккумулятор қауіпсіздігі

1. Аккумулятор(лар)ды ашпаңыз немесе бүлдірмеңіз. Құрамындағы электролит өте улы және көз немесе теріні зақымдауы мүмкін. Жұтып қойған жағдайда улы болуы мүмкін.
 2. Аккумуляторды жаңбыр астында немесе ылғалды жерлерде зарядтамаңыз.
 3. Аккумулятор картриджін сыртта зарядтамаңыз.
 4. Зарядтау ашасымен және клеммаларымен қоса зарядтау құрылғысын дымқыл қолмен ұстамаңыз.
 5. Аккумуляторды жаңбыр астында ауыстырмаңыз.
 6. Аккумулятор клеммасын су секілді сұйықтыққа салмаңыз немесе аккумуляторды батырмаңыз. Аккумуляторды жаңбыр астында қалдырмаңыз, ылғалды немесе дымқыл жерде зарядтамаңыз, пайдаланбаңыз немесе сақтамаңыз. Егер клеммасына су тисе немесе аккумулятор ішіне су кіріп кетсе, аккумулятор қысқа тұйықталуы мүмкін және қызып кету, өрт немесе жарылыс қаупі туындауы мүмкін.
 1. Аккумулятор картриджін пайдаланбас бұрын, (1) аккумулятордың зарядтау құрылғысындағы, (2) аккумулятордағы және (3) аккумуляторды пайдаланатын өнімдегі барлық нұсқаулар мен ескерту білгілерін оқып шығыңыз.
 2. Аккумулятор картриджін бөлшектемеңіз немесе өз бетіңізше ашып жөндемеңіз. Ол өрт, шамадан тыс қызу немесе жарылу жағдайларына алып келуі мүмкін.
 3. Егер аккумулятор картриджіңізді пайдалану уақыты бірталай қысқарған болса, пайдалануды дереу тоқтатыңыз. Бұл қызып кету, ықтимал күйіктер немесе тіпті жарылыс қаупін тудыруы мүмкін.
 4. Егер электролит көзіңізге тиген болса, көзіңізді таза сумен шайыңыз және дереу медициналық көмекке жүгініңіз. Бұл көру қабілетінен айырылуға әкеп соқтыруы мүмкін.
 5. Аккумулятор картриджіңізді жалғасуларын бір бірімен матастырмаңыз:
 - (1) Клеммаларды көз келген ток өткізгіш материалдарға тигізбеңіз.
 - (2) Аккумулятор картриджін ішінде шегелер, тыындар, т.б. басқа металл заттары бар контейнерде сақтамаңыз.
 - (3) Аккумулятор блогын суға салмаңыз немесе жаңбыр астында қалдырмаңыз.
- Аккумулятор түйіспелерінің тұйықталуы үлкен ток ағынының пайда болуына, қызып кетуге, ықтимал күйіктерге және тіпті бұзылуға себеп болуы мүмкін.

6. Құралды және аккумулятор блогын температурасы 50 °C-ден (122 °F) шамасынан асатын жерлерде сақтамаңыз және пайдаланбаңыз.

7. Аккумулятор блогы қатты зақымдалған немесе толығымен тозған болса да, оны отқа жақпаңыз. Аккумулятор блогы отта жарылып кетуі мүмкін.

8. Аккумулятор картриджін шегелеуге, кесуге, басуға, лақтыруға, құлатуға немесе оны қатты затпен соғуға болмайды. Бұл әрекеттер өрт, шамадан тыс қызу немесе жарылу жағдайларына алып келуі мүмкін.

9. Зақымдалған аккумуляторды пайдаланбаңыз.

10. Жинаққа кіретін литий-ионды аккумуляторлар денсаулыққа және қоршаған ортаға зиянды заттар заңнамасы талаптарына сәйкес қарастырылады. Коммерциялық тасымалдау үшін, мысалы, үшінші тараптар, экспедиторлар үшін қаптамада және таңбалауда арнайы талаптар сақталуы тиіс.

Жіберілетін өнімді дайындау үшін қауіпті заттар бойынша сарапшы маманмен кеңесу керек. Сонымен қатар ұлттық ережелерді де толық қарап шығыңыз. Ашық түйіспелерді жауып, аккумуляторды қаптамаға қозғалмайтынды етіп орналастырыңыз.

11. Аккумулятор картриджін кедеге жаратқан кезде оны құралдан шығарып алып, қауіпсіз жерде кедеге жаратыңыз. Аккумуляторды кедеге жаратуға қатысты жергілікті ережелерді орындаңыз.

12. Аккумуляторларды тек Makita компаниясы көрсеткен өнімдермен бірге пайдаланыңыз. Аккумуляторларды үйлесімді емес өнімдерге орнату өртке, қызып кетуге, жарылысқа немесе электролит ағуына әкеліп соқтыруы мүмкін.

13. Егер құрал ұзақ уақыт бойы пайдаланылмайтын болса, құралдағы аккумуляторды алып тастау керек.

14. Аккумулятор картриджін пайдалану кезінде және пайдаланғаннан кейін, ол қызып, күйікке немесе төмен температуралы күйікке өкелуі мүмкін. Ыстық аккумулятор картридждерімен жұмыс істегенде сақ болыңыз.

15. Құралдың клеммасын пайдаланғаннан кейін, оны бірден ұстамаңыз, ол күйге себеп болатындай ыстық болуы мүмкін.

16. Аккумулятор картриджінің клеммаларына, саңылауларына және ойықтарына жоңқа, шаң немесе кірдің тұрып қалуын болдырмаңыз. Бұл құралдың қызуына, тұтануына, жарылуына және батарея картриджінің істен шығуына әкеліп, күйік немесе жарақат алуға себеп болуы мүмкін.

17. Егер құрал жоғары вольтты электрлік қуат желілері жанында пайдалануға жарамды болмаса, аккумуляторлық картриджді жоғары вольтты электрлік қуат желілері жанында пайдаланбаңыз. Бұл құралдың немесе аккумулятор картриджінің істен шығуына немесе сынуына алып келуі мүмкін.

18. Аккумуляторды балалардан аулақ ұстаңыз.

ОСЫ НҰСҚАУЛАРДЫ САҚТАҢЫЗ.

▲САҚ БОЛЫҢЫЗ: Тек түпнұсқа Makita аккумуляторларын пайдаланыңыз. Түпнұсқа емес Makita аккумуляторларын немесе өзгертілген аккумуляторларды пайдалану нәтижесінде өрт, жарақат алу немесе зақымдалуға себеп болатын аккумулятор жарылуына өкелуі мүмкін. Ол сондай-ақ Makita құралы мен зарядтау құрылғысы үшін Makita кепілдігінің күшін жояды.

Аккумулятордың максималды қызмет ету мерзімін сақтау бойынша кеңестер

1. Аккумулятор картриджін қуаты толығымен таусылмас бұрын зарядтаңыз. Электр құралының қуаты аз екендігін байқаған кезде, құрал жұмысын тоқтатып, аккумулятор картриджін зарядтаңыз.
2. Толығымен зарядталған аккумулятор картриджін ешқашан қайта зарядтамаңыз. Артық зарядтау аккумулятордың қызмет ету мерзімін қысқартады.
3. Аккумулятор картриджін 10 °C – 40 °C (50 °F – 104 °F) бөлме температурасында зарядтаңыз. Зарядтамас бұрын аккумулятор картриджін суытыңыз.
4. Аккумулятор картриджін пайдаланбаған уақытта оны құралдан немесе зарядтау құрылғысынан алып тастаңыз.
5. Егер аккумулятор картриджін ұзақ уақыт бойы (алты айдан артық) пайдаланбаған болсаңыз, оны зарядтаңыз.

ҚҰРАСТЫРУ

▲ЕСКЕРТУ: Шапқышта жұмыс істеу алдында құлыптау кілті мен аккумулятор картриджі алынғанына көз жеткізіңіз. Құлыптау кілті мен аккумулятор картриджін алмау кенеттен іске қосылып, ауыр жарақат алуға себеп болуы мүмкін.

▲ЕСКЕРТУ: Шапқышты толық құрастырғаннан кейін ғана іске қосыңыз. Жартылай құрастырылған күйдегі машинамен жұмыс істеу кездейсоқ іске қосылу арқылы дене жарақатын алуға себеп болуы мүмкін.

Тұтқаны орнату

▲НАЗАР САЛЫҢЫЗ: Тұтқаларды орнатқан кезде, сымның тұтқалар арасында қысылып қалмауына көңіл бөлу керек. Сым зақымдалса, шапқыш ауыстырғышы істемей қалуы мүмкін.

1. Төменгі тұтқадағы тесікті жоғарғы тұтқадағы тесікпен туралап, сыртқы жақтан болтты енгізіп, құлақты гайканы ішкі жақтан бұрап тартыңыз. Осы процедураны екінші жаққа да орындаңыз.

DLM481/DLM539 модельдері

► **Сурет1:** 1. Болт 2. Құлақты гайка 3. Төменгі тұтқа 4. Үстіңгі тұтқа

DLM480/DLM538 модельдері

► **Сурет2:** 1. Болт 2. Құлақты гайка 3. Төменгі тұтқа 4. Үстіңгі тұтқа

2. Бекіткіш істікті босату үшін төменгі тұтқадағы тиекті тартып тұрыңыз да, тұтқаны 90° бұрыңыз. Осы процедураны екінші жаққа да орындаңыз. Тұтқаны көтеріңіз, сосын екі жақтағы тиекті 90° бұрыңыз. Тиектердің мықтап бекітілгеніне көз жеткізіңіз.

► **Сурет3:** 1. Тиек

ЕСКЕРТПЕ: Тұтқаны тіреп тұру арқылы тиекті тартқан кезде бекіткіш істікті оңай босатуға болады.

Жабынды ашаны алу

1. Артқы қақпақты ашыңыз.

► **Сурет4:** 1. Артқы қақпақ

2. Жабынды ашаны кішкене көтеріп, содан кейін алып тастаңыз.

► **Сурет5:** 1. Жабынды аша

Шөп себетін жинау

1. Шөп себетінің жоғарғы қыстырғышын көтеріңіз.

► **Сурет6:** 1. Жоғарғы қыстырғыш

2. Жақтауды тұтқасынан ұстап шөп себетіне барынша терең етіп салыңыз.

► **Сурет7:** 1. Тұтқа

НАЗАР САЛЫҢЫЗ: тұтқаны шөп себетіне салмаңыз. Жақтауды шөп себетінің тігіс бойымен салғаныңызға көз жеткізіңіз.

3. Шөп себетінің бұрыштарында майысқан жердің бар-жоғын тексеріңіз.

► **Сурет8**

4. Жоғарғы қыстырғышты ашып, жақтауға бекітіңіз.

► **Сурет9**

5. Барлық басқа қыстырғыштарды суретте көрсетілгендей бекітіңіз. Барлық қыстырғыштардың жақтауға мықтап бекітілгеніне көз жеткізіңіз.

► **Сурет10:** 1. Қыстырғыш

Шөп себетін орнату немесе алу

Шөп себетін орнату үшін, төменде берілген қадамдарды орындаңыз.

1. Артқы қақпақты ашыңыз.

► **Сурет11:** 1. Артқы қақпақ

2. Шөп себетін тұтқасынан ұстап, оны суретте көрсетілгендей шапқыш корпусының өзегіне іліңіз.

► **Сурет12:** 1. Шөп себеті 2. Тұтқа 3. Соташық

Шөп себетін алу үшін, артқы қақпақты ашып, оны тұтқасынан ұстап шығарыңыз.

Жабынды ашаны тіркеу

1. Артқы қақпақты ашып, шөп себетін алыңыз.

► **Сурет13:** 1. Артқы қақпақ 2. Шөп себеті

2. Жабынды ашадағы шығыңқы жерлер құрылғыдағы тесіктерге кіргенше жабынды ашаны тірелгенше итеріңіз.

► **Сурет14:** 1. Жабынды аша 2. Дөңес жер

ФУНКЦИОНАЛДЫҚ СИПАТТАМАСЫ

Аккумулятор картриджін орнату немесе алу

▲САҚ БОЛЫҢЫЗ: Аккумулятор картриджін орнатпас немесе алмас бұрын, әрдайым құралды өшіріңіз.

▲САҚ БОЛЫҢЫЗ: Аккумулятор картриджін орнатқан немесе алған кезде, құрал және аккумулятор картриджін мықтап ұстаңыз. Құрал және аккумулятор картриджін мықтап ұстамау олардың қолыңыздан сырғанап түсіп, нәтижесінде құралдың және аккумулятор картриджінің зақымдалуына және жарақат алуға әкеп соқтыруы мүмкін.

▲САҚ БОЛЫҢЫЗ: Пайдалану алдында аккумулятор қақпағының құлыпталғанына көз жеткізіңіз. Болмаса, лай, шаң немесе су өнімге немесе аккумулятор картриджіне зақым келтіруі мүмкін.

▲САҚ БОЛЫҢЫЗ: Аккумулятор картриджін әрдайым қызыл индикатор көрінбейтіндей етіп, толығымен орнатыңыз. Олай жасамаған жағдайда, ол құралдан кездейсоқ түсіп қалып, сізді немесе айналаңыздағы адамдарды жарақаттауы мүмкін.

▲САҚ БОЛЫҢЫЗ: Аккумулятор картриджін күштеп орнатпаңыз. Егер картридж жеңіл сырғымаса, демек ол дұрыс салынбаған.

▲САҚ БОЛЫҢЫЗ: Аккумулятор картриджін орнатқанда немесе шешіп алғанда, аккумулятор қақпағын мықтап ұстаңыз.

ЕСКЕРТПЕ: Машина тек бір аккумулятор картриджімен жұмыс істемейді.

Аккумулятор картриджін орнату;

1. Құлыптау тетігін тартып, аккумулятор қақпағын ашыңыз.
► **Сурет15:** 1. Аккумулятор қақпағы 2. Құлыптау тетігі

2. Аккумулятор картриджіндегі тілшені машинадағы ойықпен туралап, картриджді сырт еткен дыбыс естіліп, орнында құлыпталғанша сырғытыңыз.
► **Сурет16:** 1. Аккумулятор картриджі

3. Суретте көрсетілгендей, құлыптау кілтін орнына салыңыз.
► **Сурет17:** 1. Құлыптау пернесі

4. Аккумулятор картриджін жауып, оны құлыптау иінтірегімен ілінгенше басыңыз.

Аккумулятор картридждің алу үшін:

1. Құлыптау тетігін тартып, аккумулятор қақпағын ашыңыз.
2. Картридждің алдыңғы жағындағы түймені сырғытып, аккумулятор картридждің машинадан тартып шығарыңыз.
3. Құлыптау пернесін тартып шығарыңыз.
4. Аккумулятор қақпағын жабыңыз.

Машинаның/аккумулятордың қорғаныс жүйесі

Машина аккумуляторды/құралды қорғау жүйесімен жабдықталған. Бұл жүйе машина мен аккумулятордың қызмет ету мерзімін ұзарту үшін қозғалтқышқа берілетін қуат көзін автоматты түрде өшіреді. Егер құрал немесе аккумулятор төмендегі жағдайлардың біреуіне тап болса, машина жұмыс барысында автоматты түрде тоқтайды:

Шамадан тыс жүктемеден қорғаныс

Аккумулятор тым жоғары ток шығаратын күйде жұмыс істегенде, машина автоматты түрде тоқтап, басты қуат шамы жасыл түспен жыпылықтайды. Бұл жағдайда машинаны өшіріңіз және машинаның шамадан тыс жүктелуіне себеп болған жұмысты тоқтатыңыз. Содан кейін қайта іске қосу үшін машинаны қосыңыз.

Қызып кетуден қорғаныс

Машина немесе аккумулятор қызып кетсе, машина автоматты түрде тоқтап, басты қуат шамы қызыл түспен жанады. Бұл жағдайда машинаны қайта іске қосудан бұрын, машина мен аккумулятордың сууына мүмкіндік беріңіз.

Зарядтың шамадан тыс таусылуынан қорғаныс

Аккумулятордың қалған қуаты жеткіліксіз болған кезде, машина автоматты түрде тоқтап, басты қуат шамы қызыл түспен жыпылықтайды. Бұл жағдайда машинадан аккумуляторды алып, аккумулятор картридждерін зарядтаңыз немесе толық зарядталған аккумулятор картридждеріне ауыстырыңыз.

Басқа зиянды жағдайлардан қорғау

Қорғау жүйесі құрылғыны зақымдай алатын басқа жағдайлардан да қорғап, құрылғының автоматты түрде тоқтауына мүмкіндік береді. Құрылғы уақытша тоқтатылғанда немесе жұмысы тоқтатылғанда, төмендегі қадамдардың бәрін орындап, тоқтауға себеп болған жағдайларды жойыңыз.

1. Құрылғыны өшіріп, сосын қайта қосыңыз.
2. Аккумулятор(лар)ды зарядтаңыз немесе оның (олардың) орнына зарядталған аккумулятор(лар) салыңыз.
3. Құрылғы мен аккумулятор(лар)ды суытыңыз.

Қорғау жүйесін қалпына келтіру арқылы жағдай жақсармаса, орналасқан жеріңіздегі Makita компаниясының қызмет көрсету орталығына хабарласыңыз.

НАЗАР САЛЫҢЫЗ: Құрылғы жоғарыда сипатталмаған себепке байланысты тоқтаса, ақаулықтарды жою бөлімін қараңыз.

Аккумулятордың қалған қуатын көрсету

► **Сурет18:** 1. Аккумулятор индикаторы

Аккумулятордың қалған қуаты төмендеген кезде, тиісті аккумулятор жағындағы аккумулятор индикаторы жыпылықтайды. Әрі қарай қолдансаңыз, құрылғы тоқтайды және аккумулятордың индикаторы жанады. Бұл жағдайда аккумулятор картридждің зарядтаңыз.

Аккумулятордың қалған қуатын көрсету

Тек индикаторы бар аккумулятор картридждің арналған.

Аккумулятордың қалған қуатын көрсету үшін аккумулятор картридждің тексеру түймесін басыңыз. Индикатор шамдары бірнеше секунд жанып тұрады.

► **Сурет19:** 1. Индикатор шамдары 2. Тексеру түймесі

Индикатор шамдары			Қалған қуат
Жанып тұру	Өшірулі	Жыпылықтау	
			75% - 100%
			50% - 75%
			25% - 50%
			0% - 25%
			Аккумуляторды зарядтаңыз.
			Аккумулятор ақаулы болуы мүмкін.

ЕСКЕРТПЕ: Қолдану жағдайларына және қоршаған ортаның температурасына қарай көрсеткіш нақты қуаттан біршама ерекшеленуі мүмкін.

ЕСКЕРТПЕ: Аккумулятордың қорғаныс жүйесі жұмыс істегенде, бірінші (шеткі сол жақ) индикатор шамы жыпылықтайды.

Басты қуат ауыстырып-қосқышы

▲ ЕСКЕРТУ: басты қуат ауыстырып-қосқышын пайдаланбаған кезде оны әрдайым өшіріп жүріңіз.

► **Сурет20:** 1. Басты қуат шамы 2. Басты қуат ауыстырып-қосқышы

Машинаны қосу үшін, басты қуат ауыстырып-қосқышын басыңыз. Қуат шамы жасыл түсті болып жанады. Машинаны өшіру үшін, басты қуат ауыстырып-қосқышын қайта басыңыз.

ЕСКЕРТПЕ: Егер қуат көзі шамы қызыл түспен жанса немесе қызыл не жасыл түспен жыпылықтаса, машинаның/аккумулятордың қорғаныс жүйесіне арналған нұсқауларды қараңыз.

ЕСКЕРТПЕ: Бұл машина автоматты түрде өшіру функциясын пайдаланады. Кездейсоқ іске қосылуына жол бермеу үшін, басты қуат ауыстырып-қосқышы қосылғаннан кейін ауыстырып-қосқыш тетігі мен қозғалтқыш тетігі (бар болса) белгілі бір уақыт аралығында тартылмаған кезде, басты қуат ауыстырып-қосқышы автоматты түрде өшеді.

Ауыстырып-қосқыштың әрекеті

▲ ЕСКЕРТУ: Аккумулятор картриджін орнатпас бұрын, әрдайым ауыстырып-қосқыш тетігінің дұрыс жұмыс істеп тұрғанын және босатылған кезде түпнұсқа күйге оралатындығын тексеріңіз. Машинаны дұрыс жұмыс істемейтін ауыстырып-қосқышпен пайдалану басқаруды жоғалтуға және дене жарақатын алуға себеп болуы мүмкін.

ЕСКЕРТПЕ: Тіпті, қосқыш иіңірегі тартылғанымен, қосқыш түймесін баспай шапқышты іске қосуға болмайды.

ЕСКЕРТПЕ: Ұзын немесе тығыз шөпті шабуға әрекет жасаған кезде артық жүктемеге байланысты шапқыш іске қосылмауы мүмкін. Мұндай жағдайда, шабу биіктігін арттырыңыз.

Бұл шапқыш құлыптау кілтімен және қол қосқышымен жабдықталған. Құлыптау кілтіңде немесе ауыстырып-қосқышта қалыпсыз жағдай орын алса, жұмысты бірден тоқтатып, оларды ең жақын орналасқан Makita өкілетті қызмет көрсету орталығына апарып тексертіңіз.

DLM481/DLM539 модельдері

1. Аккумулятор картридждерін орнатыңыз. Құлыптау кілтін салып, аккумулятор қақпағын жабыңыз.

2. Басты қуат ауыстырып-қосқышын басыңыз.

3. Ауыстырып-қосқыш түймесін ұстап тұрып, ауыстырып-қосқыш тетігін өзіңізге қарай тартыңыз. Мотор іске қосылған кезде қосқыш түймесін босатыңыз.

► **Сурет21:** 1. Ауыстырып-қосқыш түймесі
2. Ауыстырып-қосқыш тетігі

4. Ауыстырып-қосқыш тетігін ұстап тұрып, қозғалтқыш тетігін алға қарай итеріп, артқы дөңгелектерді қозғалту үшін оны басыңыз.

► **Сурет22:** 1. Қозғалтқыш тетігі

ЕСКЕРТПЕ: Артқы дөңгелектерді қозғалтқыш тетігін алға қарай итеріп, оны ауыстырып-қосқыш тетігін тартпай ұстау арқылы қозғалтуға болады.

5. Машинаны тоқтату үшін, қозғалтқыш тетігі мен ауыстырып-қосқыш тетігін босатыңыз.

DLM480/DLM538 модельдері

1. Аккумулятор картридждерін орнатыңыз. Құлыптау кілтін салып, аккумулятор қақпағын жабыңыз.

2. Басты қуат ауыстырып-қосқышын басыңыз.

3. Ауыстырып-қосқыш түймесін ұстап тұрып, ауыстырып-қосқыш тетігін өзіңізге қарай тартыңыз. Мотор іске қосылған кезде қосқыш түймесін босатыңыз.

► **Сурет23:** 1. Ауыстырып-қосқыш түймесі
2. Ауыстырып-қосқыш тетігі

4. Моторды тоқтату үшін ауыстырып-қосқыш тетігін жіберіңіз.

Шабу биіктігін реттеу

▲ ЕСКЕРТУ: Шабу биіктігін реттеу кезінде шапқыш корпусы астында қолды немесе аяқты салуға болмайды.

▲ ЕСКЕРТУ: Пайдалану алдында иіңіректің ойыққа түскеніне көз жеткізіңіз.

Шабу биіктігін 20 мм және 100 мм аралығында реттеуге болады.

Құлыптау кілтін алып, шабу биіктігін реттеу иіңірегін шапқыш корпусының сыртына тартып, оны қажетті шабу биіктігіне жылжытыңыз.

► **Сурет24:** 1. Шабу биіктігін реттеу иіңірегі

Төмендегі кестеде шапқыш корпусындағы сан мен шамамен алынған шабу биіктігінің арасындағы байланыс көрсетілген.

Сан	Шабу биіктігі
1	20 мм
2	26 мм
3	32 мм
4	40 мм
5	49 мм
6	59 мм
7	70 мм
8	81 мм
9	92 мм
10	100 мм

Төменгі тұтқаны бір қолмен ұстап, екінші қолыңызбен шабу биіктігін реттеу иіңірегін жылжытыңыз.

► **Сурет25:** 1. Шабу биіктігін реттеу иіңірегі
2. Төменгі тұтқа

ЕСКЕРТПЕ: Шабу биіктігі суреттері нұсқаулық ретінде ғана қолданылуы керек. Көгал немесе жер жағдайларына байланысты нақты көгал биіктігі шамалы өзгеше болуы мүмкін.

ЕСКЕРТПЕ: Қажетті биіктікті табу үшін онша көрінбейтін орындағы шөпті шабудан бастап көріңіз.

Шөп деңгейінің индикаторы

Шөп деңгейінің индикаторы шабылған шөптің көлемін көрсетеді. Шөп себеті толық болмаса, жүздер жұмыс істеп тұрған кезде индикатор қалқиды.

► **Сурет26:** 1. Шөп деңгейінің индикаторы

Шөп себеті толайын деп қалған болса, жүздер жұмыс істеп тұрған кезде индикатор қалқымайды. Мұндай жағдайда жұмысты бірден тоқтатып, себетті босатыңыз.

► **Сурет27:** 1. Шөп деңгейінің индикаторы

ЕСКЕРТПЕ: Бұл индикатор - қатаң нұсқаулық. Себет ішіндегі жағдайларға байланысты, бұл индикатор дұрыс жұмыс істемеуі мүмкін.

Тұтқа биіктігін реттеу

Тұтқаны екі деңгейге реттеуге болады.

1. Төменгі тұтқаны ұстап, бекіткіш істікті босату үшін төменгі тұтқадағы тиекті тартып тұрыңыз да, тұтқаны 90° бұрыңыз. Осы процедураны екінші жаққа да орындаңыз.

► **Сурет28:** 1. Төменгі тұтқа 2. Тиек

ЕСКЕРТПЕ: Тұтқаны тіреп тұру арқылы тиекті тартқан кезде бекіткіш істікті оңай босатуға болады.

2. Тұтқаның биіктігін реттеңіз, сосын екі жақтағы тиекті 90° бұрыңыз. Тиектердің мықтап бекітілгеніне көз жеткізіңіз.

► **Сурет29:** 1. Тиек

Жүріс жылдамдығын реттеу

DLM481/DLM539 модельдері

► **Сурет30:** 1. Жылдамдық тетігі

Жүріс жылдамдығын жылдамдық тетігі арқылы реттеуге болады. Жылдамдықты төмендету үшін тетікті өзіңізге қарай тартыңыз, ал жылдамдықты арттыру үшін тетікті алға бұраңыз.

Жабынды ашаны пайдалану

Жабынды аша кесілген шөпті себетке жинамай кесілген шөпті жерге қайтаруға мүмкіндік береді. Машинаны жабынды ашамен пайдаланған кезде шөп себетін алыңыз.

НАЗАР САЛЫҢЫЗ: Машинаны жабынды ашамен пайдаланған кезде, шөптің жалпы ұзындығы кескеннен кейін 30 мм немесе одан үлкен, ал кесу ұзындығы 15 мм немесе одан аз екендігіне көз жеткізіңіз.

► **Сурет31:** (1) 30 мм немесе одан үлкен (2) 15 мм немесе одан аз

Артқы шығысты пайдалану

Артқы шығысты пайдалану кесілген шөпті себетке жинамай, оны машинаның артқы жағынан жерге шығаруға мүмкіндік береді.

Машинаны артқы шығыс көмегімен пайдаланған кезде шөп себеті мен жабынды ашаны алып, артқы қақпақты жабыңыз.

Электронды функциясы

Оңай пайдалану үшін машина электрондық функциялармен жабдықталған.

- Қозғалтқан кезде бірқалыпты іске қосу Бірқалыпты іске қосу функциясы іске қосу соққысын азайтады және машинаны бірқалыпты іске қосады.
- Электрлік тежегіш Бұл машина электрлік тежегішпен жабдықталған. Егер машина ауыстырып-қосқыш тетігін босатқаннан кейін, шапқыш жүздерінің жұмысын тез тоқтатпаса, машинаңызды Makita өкілетті қызмет көрсету орталығына апарып жөндетіңіз.

ПАЙДАЛАНУ

Шабу

⚠ЕСКЕРТУ: Шабу алдында шабу аймағындағы жапсырмалар мен тастарды алып тастаңыз. Оған қоса, шабу аймағын арамшөптерден тазалаңыз.

⚠ЕСКЕРТУ: Шапқышты пайдалану кезінде үнемі қауіпсіздік көзілдіріктерін немесе қауіпсіздік қолғаптарын киіңіз.

⚠САҚ БОЛЫҢЫЗ: Егер кесілген шөп немесе бөгде нысан шапқыш корпусының ішін құлыптаса, құлыптау кілті немес аккумулятор картриджін алып, шөпті немесе бөгде нысанды алу алдында қолғаптарды киіңіз.

НАЗАР САЛЫҢЫЗ: Бұл машинаны тек көгалды шабуға пайдаланыңыз. Бұл машинамен арамшөптерді шабуға болмайды.

► **Сурет32**

Шабу кезінде тұтқаны екі қолмен мықтап ұстаңыз. Шабу жылдамдығын әр 10 секундта 7-14 метр күйінде ұстау керек.

► **Сурет33**

ЕСКЕРТПЕ: Ұзын немесе шөбі қалың көгал шабылған соң көгал ұзындығы өркелкі болса немесе оның нашар шабылғаны анықталса, не болмаса шөп шабылып жатқанда мотор жылдамдығының төмендегені байқалса, шабу жылдамдығын осы нұсқаулықта ұсынылған жылдамдықтан азайтыңыз немесе шабу биіктігін арттырыңыз.

Алдыңғы дөңгелектердің бойлық осьтері — шабу енінің бағыттауыштары. Бойлық осьтерді бағыттауыштар ретінде пайдалану арқылы кесінділермен шабыңыз. Көгалды бірқалыпты шабу үшін бір жартысын екіншісіне қабаттастырыңыз.

► **Сурет34:** 1. Шабу ені 2. Қабаттасу аймағы 3. Бойлық ось

Шөп өсімі үлгісін тек бір бағытта қалыптастыру үшін шабу бағытын өзгертіп отырыңыз.

► **Сурет35**

Шабылған шөптің себетін жиі тексеріңіз. Себетті толмай тұрып босатыңыз. Жүйелі тексеріс алдында шапқышты тоқтатып, құлыптау кілті мен аккумулятор картриджді алыңыз.

НАЗАР САЛЫҢЫЗ: Шапқышты шөп себетімен толық пайдалану жүзінің бірқалыпты айналуын болдырмай, моторға артық жүк түсіріп, үзіліске себеп болуы мүмкін.

Ұзын көгал шөбін шабу

Ұзын көгалдағы шөптің бәрін бірден шабуға тырыспаңыз. Оның орнына көгал шөбін бірнеше бөлікке бөліп шабыңыз. Шөп шапқанда бір-екі күндік үзіліс жасап, көгал шөбін бірқалыпты қысқа етіп шабыңыз.

► **Сурет36**

ЕСКЕРТПЕ: Ұзын көгал шөбі бірден қысқа болып шабылса, шөп мүлде шықпай қалуы мүмкін. Шабылған шөп шапқыш корпусының ішін бітеуі де мүмкін.

ЕСКЕРТПЕ: Шөп шабылған соң көгал ұзындығы әркеккі болса немесе оның нашар шабылғаны анықталса, не болмаса шөп шабылып жатқанда мотор жылдамдығының төмендегені байқалса, шабу жылдамдығын азайтыңыз немесе шабу биіктігін арттырыңыз.

Шөп себетін босату

▲ЕСКЕРТУ: Оқыс жағдай қаупін азайту үшін, шөп себетін зақымға немесе әлсізденген күшке жиі тексеріңіз. Шөп себетін қажетінше ауыстырыңыз.

1. Ауыстырғыш тетікті және жетек тетігін босатыңыз (DLM481/DLM539) немесе ауыстырғыш тұтқасын босатыңыз (DLM480/DLM538).
 2. Құлыптау кілтін алыңыз.
 3. Артық қақпақты ашып, шөп себетін тұтқасынан ұстап алыңыз.
- **Сурет37:** 1. Артық қақпақ 2. Тұтқа 3. Шөп себеті
4. Шөп себетін босатыңыз.

ТЕХНИКАЛЫҚ ҚЫЗМЕТ КӨРСЕТУ

▲ЕСКЕРТУ: Шапқышты сақтау немесе тасымалдау не тексеру немесе техникалық қызметті көрсету алдында құлыптау кілті мен аккумулятор картриджді шапқыштан алынғанына көз жеткізіңіз.

▲ЕСКЕРТУ: Шапқыш қолданылмаған кезде құлыптау кілтін үнемі алыңыз. Құлыптау кілтін балалар қолы жетпейтін, қауіпсіз орында сақтаңыз.

▲ЕСКЕРТУ: Тексеру немесе техникалық қызмет көрсету жұмыстарын орындаған кезде қолғап киіңіз.

▲ЕСКЕРТУ: Тексеру немесе техникалық қызмет көрсету жұмыстарын орындаған кезде үнемі қауіпсіздік көзілдіріктерін немесе қауіпсіздік қолғаптарын киіңіз.

НАЗАР САЛЫҢЫЗ: Жанармайды, бензинді, сұйылтқышты, спиртті немесе соған ұқсас заттарды ешқашан пайдаланбаңыз. Нәтижесінде түссіздену, бүліну немесе жарықтар пайда болуына әкелуі мүмкін.

Өнімнің ҚАУІПСІЗДІГІ мен СЕНІМДІЛІГІН қамтамасыз ету үшін, жөндеу жұмыстары, кез келген басқа техникалық қызмет көрсету немесе реттеу әрдайым Makita қосалқы бөлшектерін пайдалану арқылы Makita компаниясының өкілетті немесе зауыттық қызмет көрсету орталықтары тарапынан орындалуы керек.

Техникалық қызмет көрсету

1. Құлыптау кілті мен аккумулятор картридждерін алып, аккумулятор қақпағын жабыңыз.
2. Шапқышты бүйіріне жатқызыңыз. Шапқыш декасының астына жиналған қиылған шөпті алып тастаңыз.
3. Машинаның жүзі бекітілген табанына қарай су құйыңыз.

НАЗАР САЛЫҢЫЗ: Машинаны жоғары қысымды сумен тазалауға болмайды.

4. Барлық сомындардың, болттардың, бұрандалардың және т.б. беріктігін тексеріңіз.
5. Қозғалатын бөлшектерді зақымға, үзіліске және тозуға тексеріңіз. Зақымдалған немесе жоқ бөлшектерді жөндеу немесе ауыстыру керек.
6. Шапқышты қауіпсіз және балалардың қолы жетпейтін жерде сақтаңыз.

DLM481/DLM539 модельдері

НАЗАР САЛЫҢЫЗ: Суретте көрсетілген аймаққа су құймаңыз. Қозғалтқыш блогына су құю машинаның ақаулығына себеп болуы мүмкін.

► **Сурет38:** 1. Су құюға болмайтын аймақ

НАЗАР САЛЫҢЫЗ: Құрылғы суретте көрсетілгендей тігінен тұрғанда, оның үстіне су құюға болмайды. Құрылғы тігінен тұрса, су мотор бөлігіне құйылып, құрылғының қате істеуіне себеп бола алады.

► Сурет39

Шапқышты тасымалдау

САҚ БОЛЫҢЫЗ: шапқышты тасымалдау алдында, аккумулятор картриджі мен құлыптау кілтiнiң алынғанына көз жеткізіңіз.

Шапқышты тасымалдау кезінде оны суретте көрсетілгендей артқы тұтқасынан және құралдың алдыңғы жағындағы төменгі ұстау бөлігінен екі адам ұстауы керек.

► Сурет40: 1. Төменгі ұстау бөлігі 2. Артқы тұтқа

Сақтау

САҚ БОЛЫҢЫЗ: Тігінен қойылатын құрылғы тегіс және тұрақты жерге қойылуы тиіс. Тұрақсыз жерге қойылған құрылғы құлап, адамдарды жарақаттауы мүмкін.

Шапқышты салқын, құрғақ және құлыпталған орында сақтаңыз. Шапқыш пен зарядтағышты температура 40 °C-қа жететін немесе асатын орындарда сақтауға болмайды.

1. Аккумулятор картриджі мен құлыптау кілтін шығарып алыңыз.

2. Бекіткіш істікті босату үшін төменгі тұтқадағы тиекті тартып тұрыңыз да, тұтқаны 90° бұрыңыз. Осы процедураны екінші жаққа да орындап, тұтқаны бүктеп қойыңыз.

► Сурет41: 1. Тиек

ЕСКЕРТПЕ: Тұтқаны тіреп тұру арқылы тиекті тартқан кезде бекіткіш істікті оңай босатуға болады.

3. Екі жақтағы тиекті де 90° бұраңыз. Тиектердің мықтап бекітілгеніне көз жеткізіңіз.

DLM481/DLM539 модельдері

► Сурет42: 1. Тиек

DLM480/DLM538 модельдері

► Сурет43: 1. Тиек

НАЗАР САЛЫҢЫЗ: Тұтқаны бүктеген кезде сымдардың қысылып қалмауына көңіл бөлу керек.

4. Екі жақтағы құлақты гайкаларды босатып, содан кейін жоғарғы тұтқаны суретте көрсетілгендей бүктеңіз.

► Сурет44: 1. Құлақты гайка 2. Үстіңгі тұтқа

5. Құралды тігінен орналастырыңыз.

ЕСКЕРТПЕ: Шапқышты тігінен қойған кезде, тұтқаны ғана ұстамай, шапқыш корпусы мен тұтқаны ұстаңыз.

6. Шөп себетін суретте көрсетілгендей сақтаңыз.

► Сурет45: 1. Шөп себеті

► Сурет46: 1. Шөп себеті

Шапқыш жүзін алу немесе орнату

ЕСКЕРТУ: Қосқышты босатқаннан кейін, шапқыш жүзі бірнеше секунд қозғалады. Шапқыш жүзі толығымен тоқтаған кезде, жұмысты бастауға болмайды.

ЕСКЕРТУ: Шапқыш жүзін алу немесе орнату кезінде құлыптың кілті мен аккумулятор картриджін үнемі алыңыз. Құлыптың кілтін мен аккумулятор картриджін алу ауыр жарақатқа себеп болуы мүмкін.

ЕСКЕРТУ: Шапқыш жүзін қолданған кезде, әрдайым қорғаныш қолғабын киіңіз.

НАЗАР САЛЫҢЫЗ: шапқыш пышағын шешіп алғанда немесе орнатқанда, құрылғымен бірге жіберілген қорап кілтін пайдаланыңыз.

Шапқыш жүзін алу

1. Шабу биіктігін реттеу интірегі төменгі жаққа өтуі үшін, шапқышты бүйір жағына салыңыз.

2. Шапқыш жүзін құлыптау үшін шапқыш корпусындағы саңылауға істікті барынша терең енгізіңіз.

3. Болтты 17-ші тұқыр кілтпен сағат тіліне қарсы бағытта бұраңыз.

► Сурет47: 1. Шапқыш жүзі 2. Істік 3. Тұқыр кілт

4. Болтты, содан кейін шапқыш жүзін алыңыз.

► Сурет48: 1. Жүз тірегі 2. Шапқыш жүзі 3. Болт 4. Дөңес жер

НАЗАР САЛЫҢЫЗ: Шапқыш жүзін орнату кезінде, жүз тіреуішіндегі дөңес жерлердің шапқыш жүзіндегі саңылауларға орналасқанына көз жеткізіңіз.

Шапқыш жүзін орнату

ЕСКЕРТУ: Шапқыш жүзін мұқият орнатыңыз. Оның үстіңгі/астыңғы беті бар.

ЕСКЕРТУ: Жүзді бекіту үшін болтты сағат тілімен мықтап бұраңыз.

ЕСКЕРТУ: Шапқыш жүзі мен барлық бекітуші бөлшектер дұрыс орнатылып, мықтап бекемделгеніне көз жеткізіңіз.

ЕСКЕРТУ: Жүздерін ауыстырған кезде осы нұсқаулықта берілген нұсқауларды орындаңыз.

НАЗАР САЛЫҢЫЗ: шапқыш пышағын орнату үшін болтты бұрап тартқанда, 19-29 Н·м бұрау күшін қолданыңыз (мәндер тек анықтама беруге арналған).

НАЗАР САЛЫҢЫЗ: Шапқыш жүздерін орнатқаннан кейін, шапқыш корпусынан істікті алыңыз.

Шапқыш жүздерін орнату үшін алу процедурасын керісінше орындаңыз.

АҚАУЛЫҚТАРДЫ ЖОЮ

Жөндеу жұмыстарына тапсырыс беруден бұрын, тексерулер жүргізіңіз. Нұсқаулықта көрсетілмеген мәселелер анықталса, машинаны бөлшектеуге әрекеттенбеңіз. Makita компаниясының өкілетті қызмет көрсету орталықтарына хабарласыңыз және жөндеу үшін әрқашан Makita қосалқы бөлшектерін пайдаланыңыз.

Ақаулы күйі	Ықтимал себебі (ақаулық)	Шешім
Шапқыш іске қосылмайды.	Екі аккумулятор картриджі орнатылмаған.	Екі зарядталған аккумулятор картриджін орнатыңыз.
	Аккумулятор мәселесі (кернеу төмен)	Аккумулятор картриджін қайта зарядтаңыз. Егер қайта зарядтау тиімді болмаса, аккумулятор картриджін ауыстырыңыз.
	Құлыптау кілті салынбаған.	Құлыптау кілтін салыңыз.
Аз уақыт пайдаланғаннан кейін мотор жұмыс істеуін тоқтатады.	Аккумулятордың қуат деңгейі төмен.	Аккумулятор картриджін қайта зарядтаңыз. Егер қайта зарядтау тиімді болмаса, аккумулятор картриджін ауыстырыңыз.
	Кесу биіктігі өте төмен.	Кесу биіктігін арттырыңыз.
	Шапқышта кесілген шөп тұрып қалды.	Шапқыштан тұрып қалған шөпті алыңыз.
Мотор максималды айн/мин деңгейіне жетпейді.	Аккумулятор картриджі тиісті түрде орнатылмаған.	Аккумулятор картриджін осы нұсқаулықта көрсетілгендей орнатыңыз.
	Аккумулятор қуаты төмендеуде.	Аккумулятор картриджін қайта зарядтаңыз. Егер қайта зарядтау тиімді болмаса, аккумулятор картриджін ауыстырыңыз.
	Жетек жүйесі дұрыс жұмыс істемейді.	Жергілікті қызмет көрсету орталығынан жөндеуді сұраңыз.
Шапқыш жүзі айналмайды: ⇒ шапқышты бірден тоқтатыңыз!	Бұта секілді бөгде зат жүзіне жақын кептеледі.	Бөгде затты алып тастаңыз.
	Жетек жүйесі дұрыс жұмыс істемейді.	Жергілікті қызмет көрсету орталығынан жөндеуді сұраңыз.
Қалыптан тыс дірілдеу: ⇒ шапқышты бірден тоқтатыңыз!	Жүзі теңестірілмеген, аса немесе бірқалыпсыз тозған.	Жүзін ауыстырыңыз.

ҚОСЫМША КЕРЕК-ЖАРАҚТАР

⚠ САҚ БОЛЫҢЫЗ: Бұл керек-жарақтарды немесе қондырмаларды осы нұсқаулықта көрсетілген Makita машинасымен бірге пайдаланған дұрыс. Басқа керек-жарақтарды немесе қондырмаларды пайдалану адамдардың жарақаттануына әкелуі мүмкін. Керек-жарақты немесе қондырманы тек мақсатына сәйкес пайдаланыңыз.

Осы керек-жарақтар туралы қосымша мәлімет алу үшін көмек қажет болса, жергілікті Makita қызмет көрсету орталығына хабарласыңыз.

- Шапқыш жүзі
- Makita түпнұсқа аккумуляторы және зарядтау құрылғысы

ЕСКЕРТПЕ: Тізімдегі кейбір элементтер стандартты керек-жарақтар ретінде өнімнің қаптамасында болуы мүмкін. Олар әр елде әртүрлі болуы мүмкін.

Makita Europe N.V.

Jan-Baptist Vinkstraat 2, 3070 Kortenberg, Belgium

Makita Corporation

3-11-8, Sumiyoshi-cho, Anjo, Aichi 446-8502 Japan

www.makita.com



885927C786
EN, RU, KK
20231117