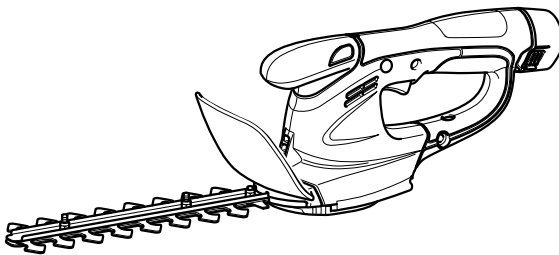
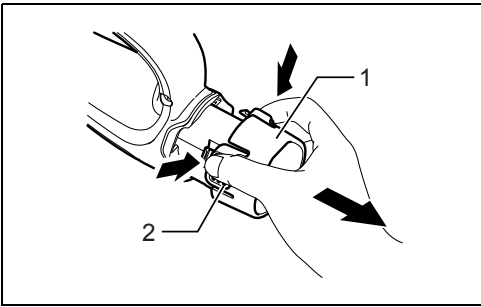




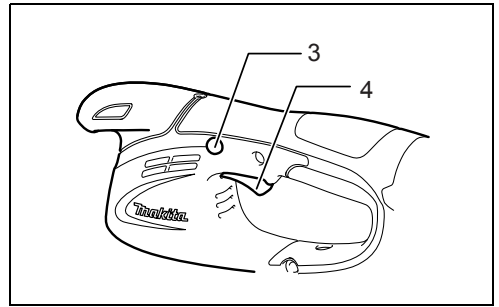
GB	Cordless Hedge Trimmer	Instruction manual
F	Taille-haie sans fil	Manuel d'instructions
D	Akku-Heckenschere	Betriebsanleitung
I	Tagliasiepi a batteria	Istruzioni per l'uso
NL	Accuheggenschaar	Gebruiksaanwijzing
E	Cortasetos inalámbrico	Manual de instrucciones
P	Aparador de cerca viva a bateria	Manual de instruções
DK	Batteridrevet hækkeklipper	Brugsanvisning
GR	Ψαλίδι μπορντούρας μπαταρίας	Οδηγίες χρήσης

UH200D

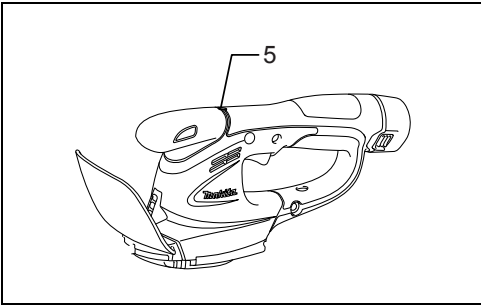




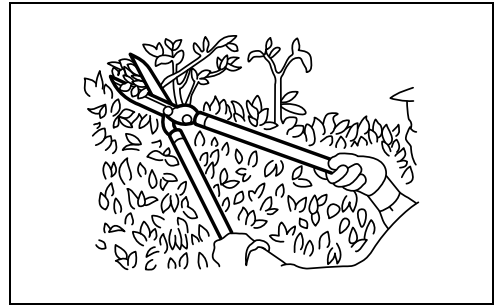
1



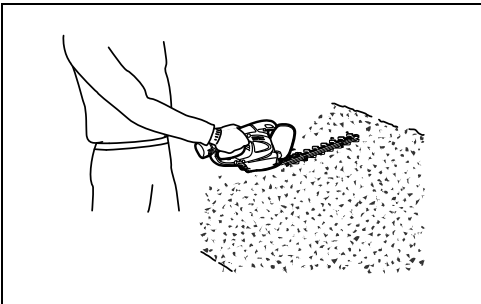
2



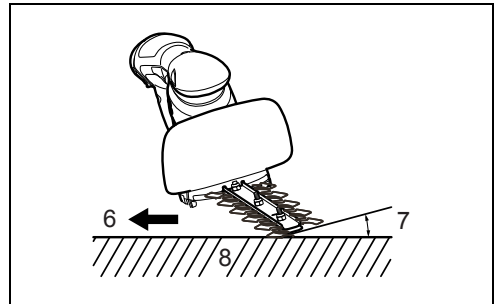
3



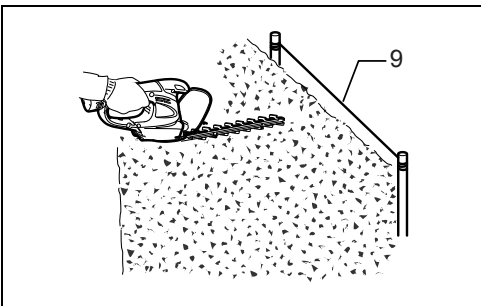
4



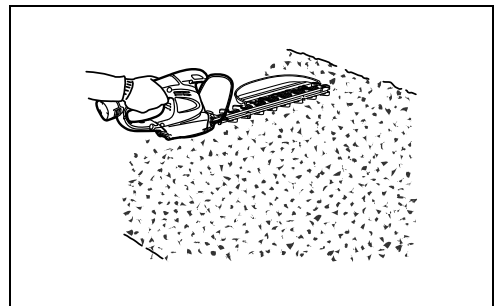
5



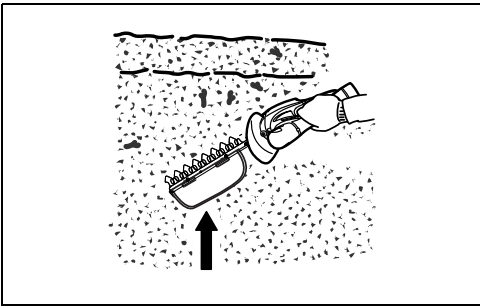
6



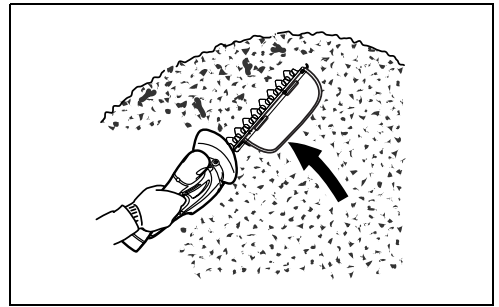
7



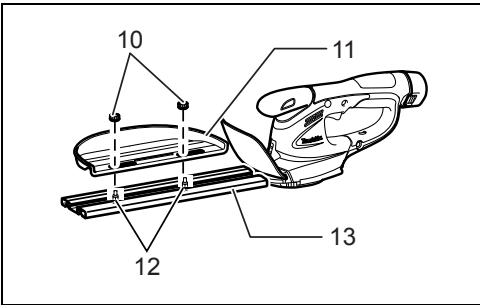
8



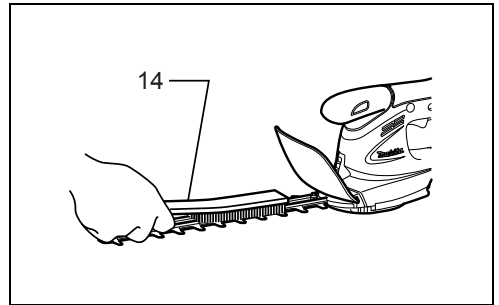
9



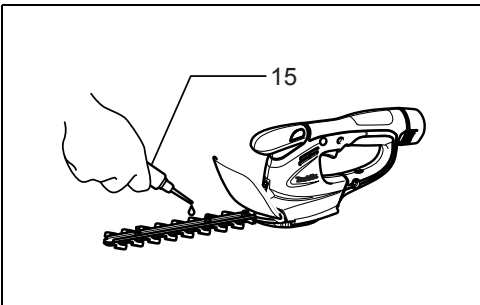
10



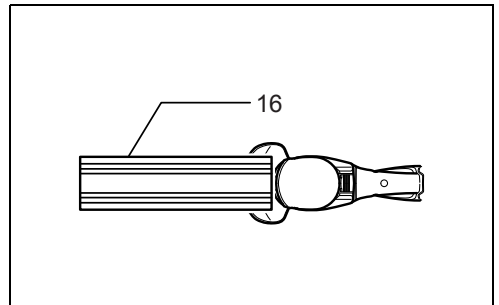
11



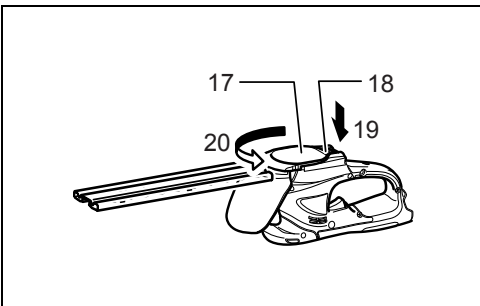
12



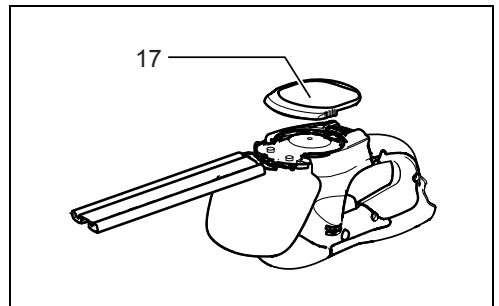
13



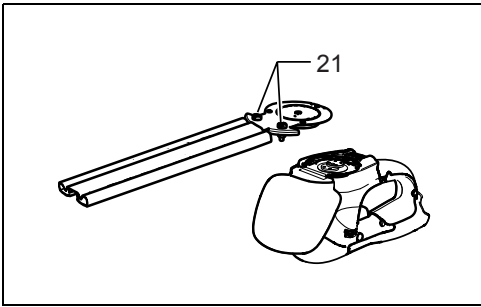
14



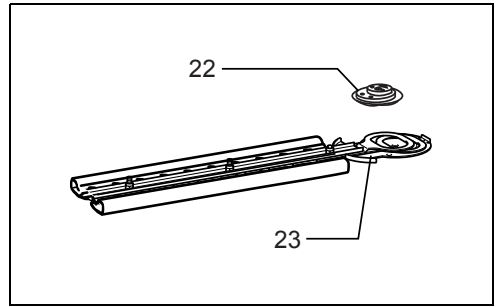
15



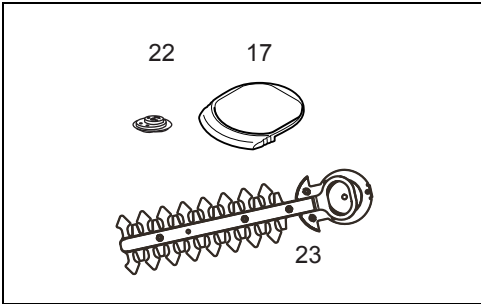
16



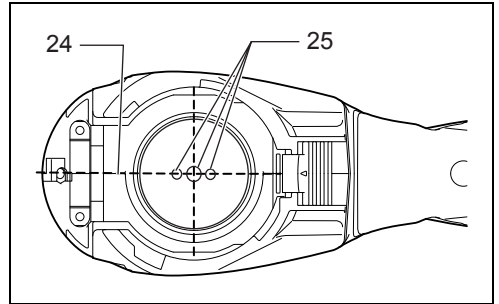
17



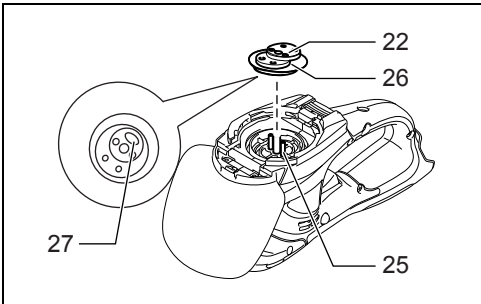
18



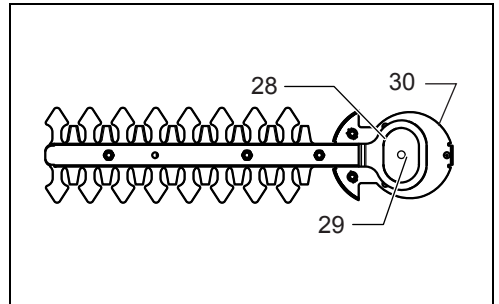
19



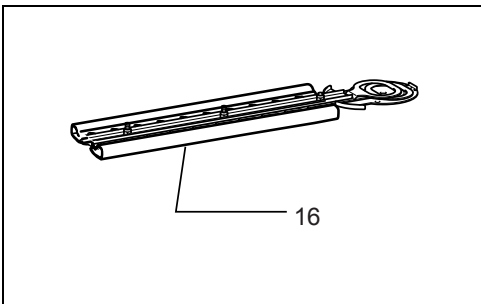
20



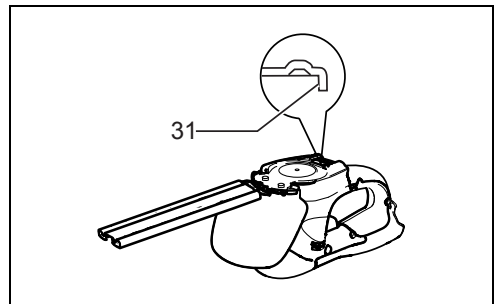
21



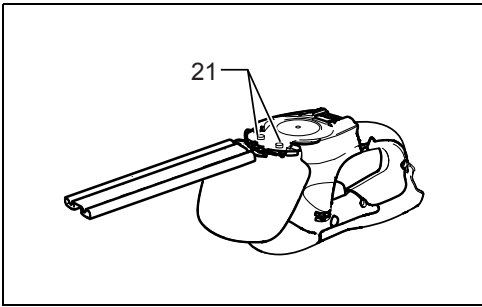
22



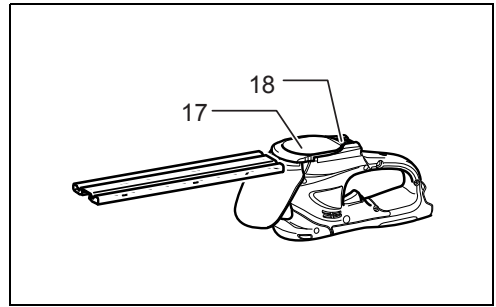
23



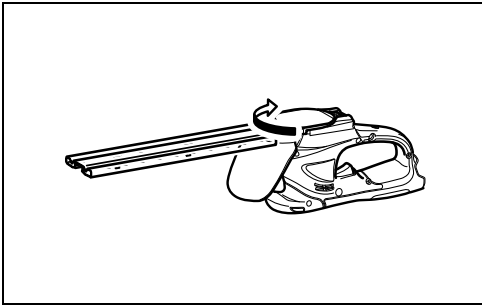
24



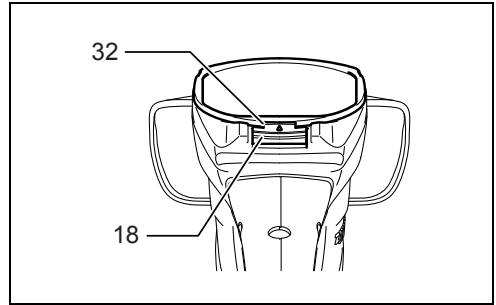
25



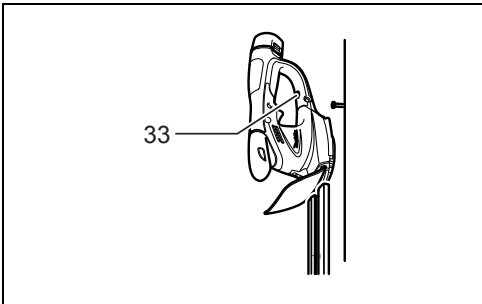
26



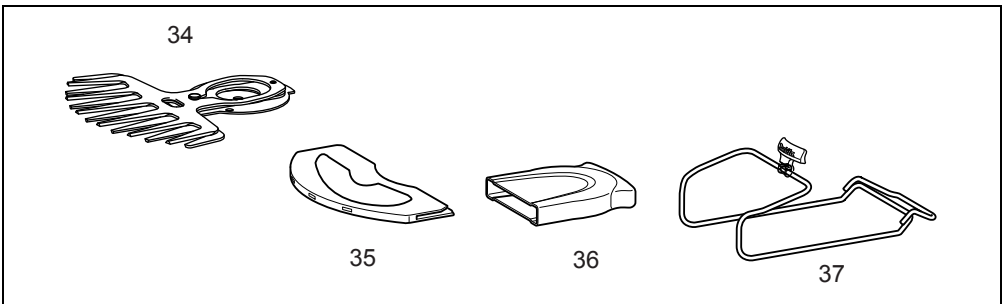
27



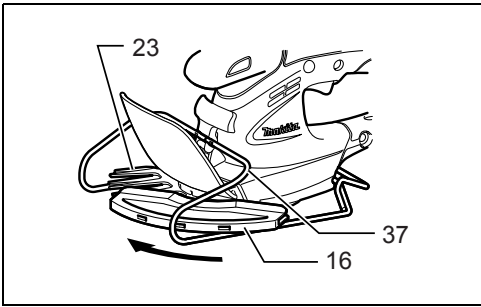
28



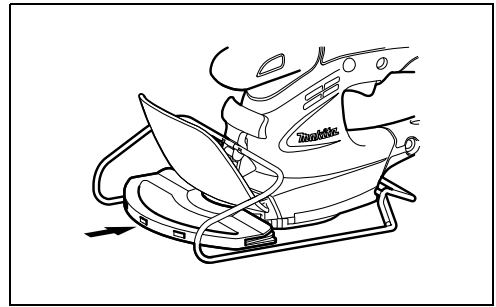
29



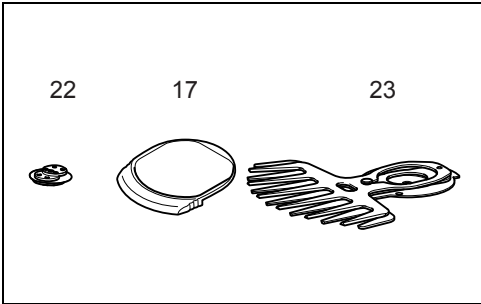
30



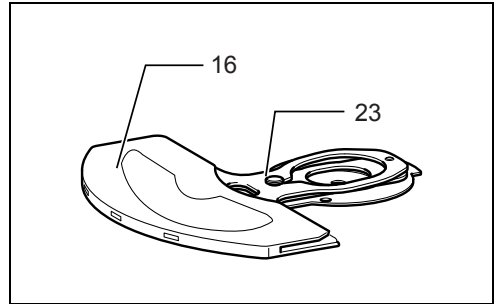
31



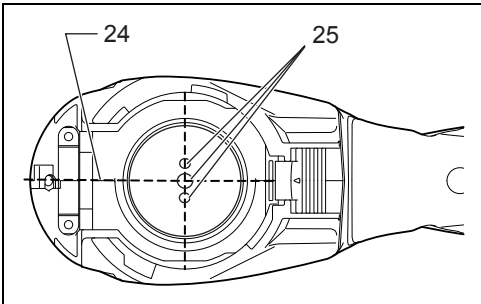
32



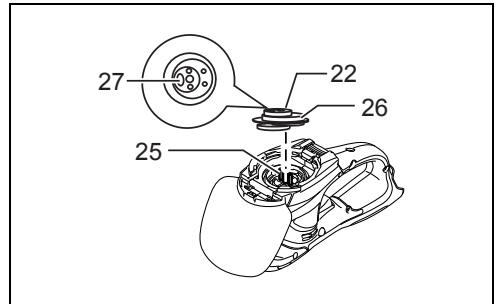
33



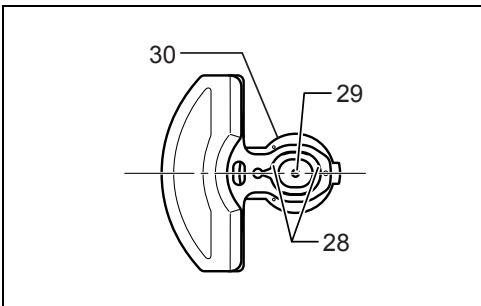
34



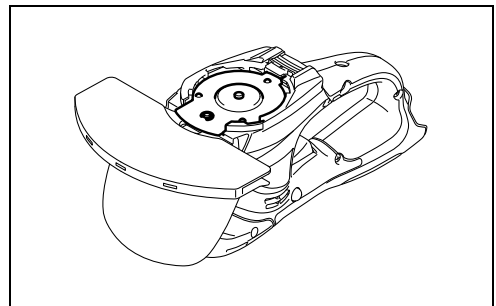
35



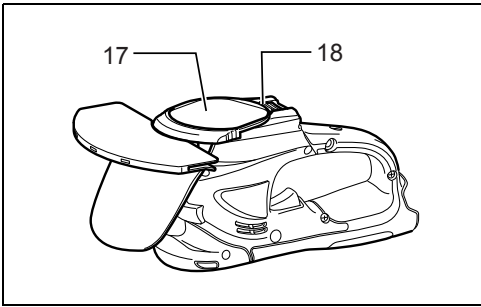
36



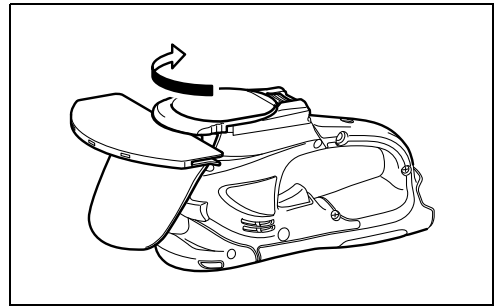
37



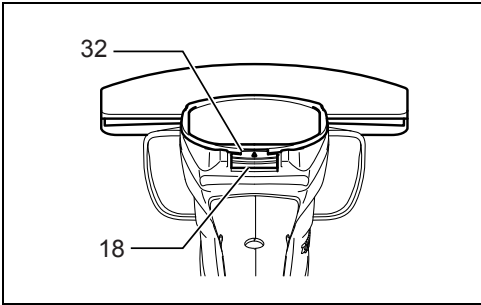
38



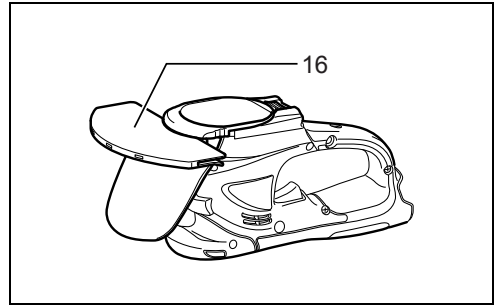
39



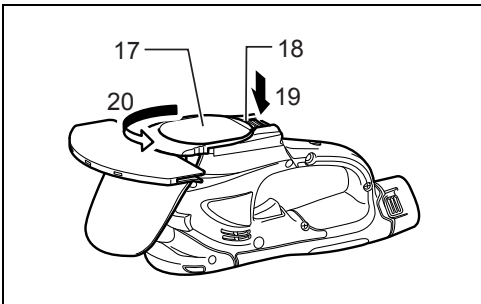
40



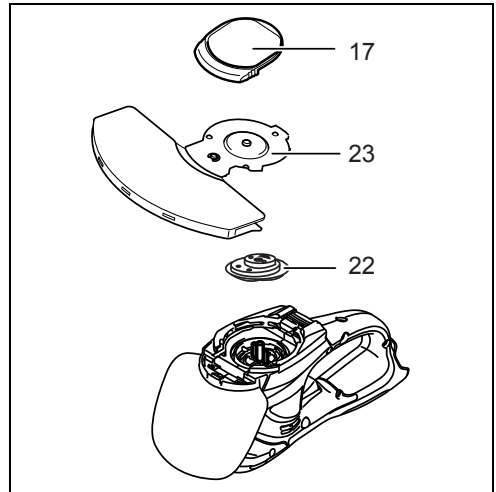
41



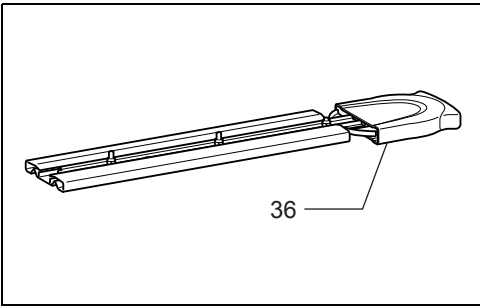
42



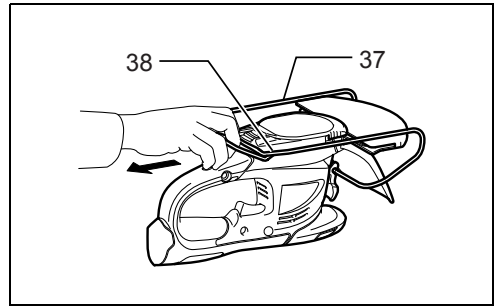
43



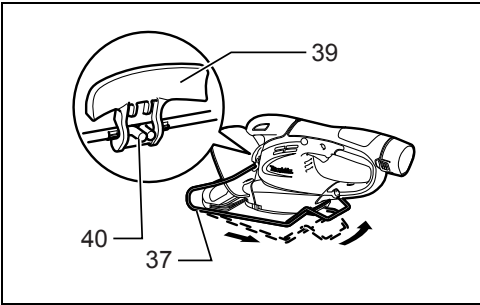
44



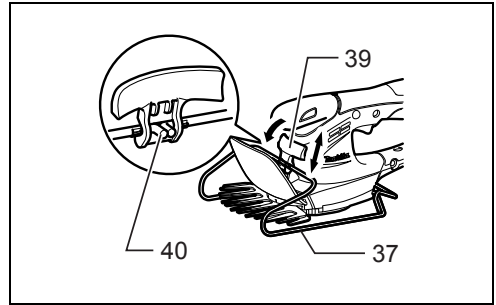
45



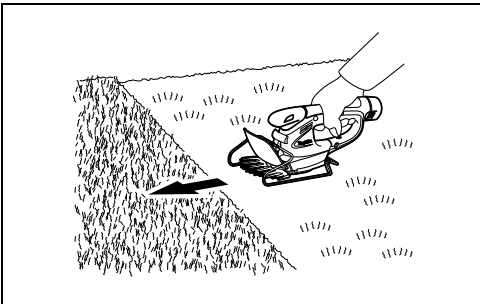
46



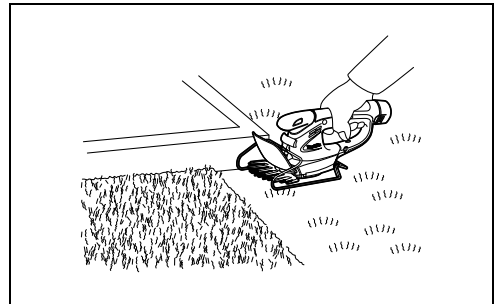
47



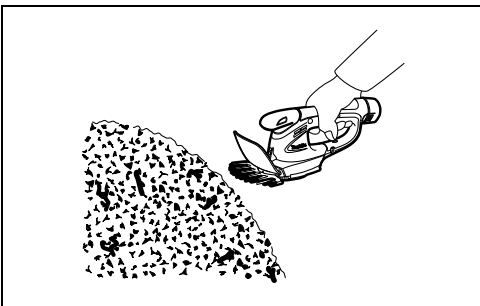
48



49



50



51

ENGLISH (Original Instructions)

Explanation of general view

- | | | |
|--|--|---|
| 1. Battery cartridge | 15. Machine oil | 29. Hole in the base plate of shear blades |
| 2. Button | 16. Blade cover | 30. Base plate |
| 3. Lock-off button | 17. Undercover | 31. Bent part of the base plate of shear blades |
| 4. Switch trigger | 18. Locking lever | 32. Groove in the undercover |
| 5. Indication lamp | 19. Press | 33. Hook hole |
| 6. Trimming direction | 20. Turn | 34. Grass shear blade |
| 7. Tilt the blades | 21. Screws | 35. Grass shear blade cover |
| 8. Hedge surface to be trimmed | 22. Crank | 36. Storage case |
| 9. String | 23. Shear blades | 37. Base frame |
| 10. Clamping nuts | 24. Basic alignment line on the tool housing | 38. Groove |
| 11. Chip receiver | 25. Pins | 39. Change lever |
| 12. Screws on the shear blades | 26. Apply grease. | 40. Protrusion on base frame |
| 13. Blade cover to be always installed before installing the chip receiver | 27. Recessed part of crank | |
| 14. Brush | 28. Oval holes that are overlapped | |

SPECIFICATIONS

Model	UH200D
Blade length	200 mm
Strokes per minute (min ⁻¹)	1,250
Overall length	460 mm
Net weight	1.2 kg
Rated voltage	D.C. 10.8 V



- Due to our continuing programme of research and development, the specifications herein are subject to change without notice.
- Specifications may differ from country to country.
- Weight according to EPTA-Procedure 01/2003


Symbols


END011-3

The following show the symbols used for the equipment. Be sure that you understand their meaning before use.


 Take particular care and attention.


  ... Read instruction manual.

 Do not expose to rain.

 Danger; be aware of thrown objects.

 Keep bystanders away.

 Cutting means continues to run after the motor is switched off.

 Cd Ni-MH Li-Ion Only for EU countries
Do not dispose of electric equipment or battery pack together with household waste material!

In observance of European Directive 2002/96/EC on waste electric and electronic equipment, 2006/66/EC on batteries and accumulators and waste

batteries and accumulators and their implementation in accordance with national laws, electric equipment and battery pack that have reached the end of their life must be collected separately and returned to an environmentally compatible recycling facility.


Intended use

ENE014-1

The tool is intended for trimming hedges.

General Power Tool Safety Warnings

GEA010-1

 **WARNING** Read all safety warnings and all instructions. Failure to follow the warnings and instructions may result in electric shock, fire and/or serious injury.

Save all warnings and instructions for future reference.

CORDLESS HEDGE TRIMMER SAFETY WARNINGS

GEB062-2

1. **Hold the power tool by insulated gripping surfaces only, because the cutter blade may contact hidden wiring.** Cutter blades contacting a "live" wire may

- make exposed metal parts of the power tool “live” and could give the operator an electric shock.
2. **Keep all parts of the body away from the cutter blade. Do not remove cut material or hold material to be cut when blades are moving. Make sure the switch is off when clearing jammed material.** A moment of inattention while operating the hedge trimmer may result in serious personal injury.
 3. **Carry the hedge trimmer by the handle with the cutter blade stopped. When transporting or storing the hedge trimmer always fit the cutting device cover.** Proper handling of the hedge trimmer will reduce possible personal injury from the cutter blades.
 4. Do not use the hedge trimmer in the rain or in wet or very damp conditions. The electric motor is not waterproof.
 5. First-time users should have an experienced hedge trimmer user show them how to use the trimmer.
 6. The hedge trimmer must not be used by children or young persons under 18 years of age. Young persons over 16 years of age may be exempted from this restriction if they are undergoing training under the supervision of an expert.
 7. Use the hedge trimmer only if you are in good physical condition. If you are tired, your attention will be reduced. Be especially careful at the end of a working day. Perform all work calmly and carefully. The user is responsible for all damages to third parties.
 8. Never use the trimmer when under the influence of alcohol, drugs or medication.
 9. Check to make sure that the voltage and frequency of the power supply correspond to the specifications given on the identification plate. We recommend the use of a residual-current-operated circuit breaker (ground-fault circuit interrupter) with a tripping current of 30 mA or less, or an earth leakage current protector.
 10. Work gloves of stout leather are part of the basic equipment of the hedge trimmer and must always be worn when working with it. Also wear sturdy shoes with anti-skid soles.
 11. Before starting work check to make sure that the trimmer is in good and safe working order. Ensure guards are fitted properly. The hedge trimmer must not be used unless fully assembled.
 12. Make sure you have a secure footing before starting operation.
 13. Hold the tool firmly when using the tool.
 14. Do not operate the tool at no-load unnecessarily.
 15. Immediately switch off the motor and remove the battery cartridge if the cutter should come into contact with a fence or other hard object. Check the cutter for damage, and if damaged repair immediately.
 16. Before checking the cutter, taking care of faults, or removing material caught in the cutter, always switch off the trimmer and remove the battery cartridge.
 17. Switch off the trimmer and remove the battery cartridge before doing any maintenance work.
 18. When moving the hedge trimmer to another location, including during work, always remove the battery cartridge. Never carry or transport the trimmer with the cutter running. Never grasp the cutter with your hands.

19. Clean the hedge trimmer and especially the cutter after use, and before putting the trimmer into storage for extended periods. Lightly oil the cutter and put on the cover. The cover supplied with the unit can be hung on the wall, providing a safe and practical way to store the hedge trimmer.
20. Store the hedge trimmer with the cover on, in a dry room. Keep it out of reach of children. Never store the trimmer outdoors.

SAVE THESE INSTRUCTIONS.

WARNING:

DO NOT let comfort or familiarity with product (gained from repeated use) replace strict adherence to safety rules for the subject product. MISUSE or failure to follow the safety rules stated in this instruction manual may cause serious personal injury.

CORDLESS GRASS SHEAR SAFETY WARNINGS

GEB070-2

WARNING! IMPORTANT READ CAREFULLY all safety warnings and all instructions BEFORE USE.

Failure to follow the warnings and instructions may result in electric shock, fire and/or serious injury.

Save all warnings and instructions for future reference.

General instructions

1. To ensure correct operation, user has to read this instruction manual to make himself familiar with the handling of the equipment. Users insufficiently informed will risk danger to themselves as well as others due to improper handling.
2. Never allow people unfamiliar with these instructions, people (including children) with reduced physical, sensory or mental capabilities, or lack of experience and knowledge to use the equipment. Local regulations can restrict the age of the operator.
3. Use the equipment with the utmost care and attention.
4. Operate the equipment only if you are in good physical condition. Perform all work calmly and carefully. Use common sense and keep in mind that the operator or user is responsible for accidents or hazards occurring to other people or their property.
5. Never operate the machine while people, especially children, or pets are nearby.
6. Never use the equipment after consumption of alcohol or drugs, or if feeling tired or ill.
7. The motor is to be switched off immediately in case that the equipment shows any problem or abnormal sign.
8. Switch off and remove the battery cartridge when resting and when leaving the equipment unattended, and place it in a safe location to prevent danger to others or damage to the equipment.
9. Don't force the equipment. It will do the job better and with less likelihood of a risk of injury at the rate for which it was designed.
10. Don't overreach. Keep proper footing and balance at all times.

Personal protective equipment

1. Dress Properly. The clothing worn should be functional and appropriate, i.e. it should be tight-fitting but not cause hindrance. Do not wear either jewelry or clothing which could become entangled. Wear protective hair covering to contain long hair.
2. Wear eye protection and stout shoes at all times while operating the machine.

Electrical and battery safety

1. Avoid dangerous environment. Don't use the equipment in damp or wet locations or expose it to rain. Water entering an equipment will increase the risk of electric shock.
 2. Recharge only with the charger specified by the manufacturer. A charger that is suitable for one type of battery pack may create a risk of fire when used with another battery pack.
 3. Use power tools only with specifically designated battery packs. Use of any other battery packs may create a risk of injury and fire.
 4. When battery pack is not in use, keep it away from other metal objects, like paper clips, coins, keys, nails, screws or other small metal objects, that can make a connection from one terminal to another. Shorting the battery terminals together may cause burns or a fire.
 5. Under abusive conditions, liquid may be ejected from the battery; avoid contact. If contact accidentally occurs, flush with water. If liquid contacts eyes, additionally seek medical help. Liquid ejected from the battery may cause irritation or burns.
 6. Do not dispose of the battery(ies) in a fire. The cell may explode. Check with local codes for possible special disposal instructions.
 7. Do not open or mutilate the battery(ies). Released electrolyte is corrosive and may cause damage to the eyes or skin. It may be toxic if swallowed.
5. areas, ice and snow (risk of slipping). Always ensure a safe footing.
 6. Take care against injury to feet and hands from the cutting tool.
 7. Never stand on a ladder and run the equipment.
 8. Never climb up into trees to perform cutting operation with the equipment.
 9. Never work on unstable surfaces.
 10. Remove sand, stones, nails etc. found within the working range. Foreign particles may damage the cutting tool and can cause dangerous kick-backs.
 11. Should the cutting tool hit stones or other hard objects, immediately switch off the motor and inspect the cutting tool.
 12. Inspect the cutting tool at short regular intervals for damage (detection of hairline cracks by means of tapping-noise test).
 13. Before commencing cutting, the cutting tool must have reached full working speed.
 14. The cutting tool has to be equipped with the appropriate guard. Never run the equipment with damaged guards or without guards in place!
 15. All protective installations and guards supplied with the equipment must be used during operation.
 16. Always remove the battery cartridge from the equipment:
 - whenever leaving the equipment unattended;
 - before clearing a blockage;
 - before checking, cleaning or working on the equipment;
 - after striking a foreign object;
 - whenever the equipment starts vibrating abnormally.
 17. Always ensure that the ventilation openings are kept clear of debris.

Starting up the equipment

1. Make sure that there are no children or other people nearby, also pay attention to any animals in the working vicinity. Otherwise stop using the equipment.
2. Before use always check that the equipment is safe for operation. Check the security of the cutting tool and the guard and the switch trigger/lever for easy and proper action. Check for clean and dry handles and test the function of the start/stop.
3. Check damaged parts before further use of the equipment. A guard or other part that is damaged should be carefully checked to determine that it will operate properly and perform its intended function. Check for alignment of moving parts, binding of moving parts, breakage of parts, mounting, and any other condition that may affect its operation. A guard or other part that is damaged should be properly repaired or replaced by our authorized service center unless indicated elsewhere in this manual.
4. Switch on the motor only when the hands and feet are away from the cutting tool.
5. Before starting make sure that the cutting tool has no contact with any objects.

Method of operation

1. Only use the equipment in good light and visibility. During the winter season beware of slippery or wet

Cutting Tools

1. Employ only the correct cutting tool for the job in hand.

Maintenance instructions

1. The condition of the equipment, in particular of the cutting tool of the protective devices must be checked before commencing work.
2. Turn off the motor and remove the battery cartridge before carrying out maintenance, replacing cutting tools or cleaning the equipment or cutting tool.
3. Check loose fasteners and damaged parts such as cracks in the cutting attachment.
4. Follow instructions for lubricating and changing accessories.
5. When not in use, store the equipment indoors in dry and high or locked-up place - out of the reach of children. Clean and maintain before storage.
6. Use only the manufacturer's recommended replacement parts and accessories.
7. Inspect and maintain the equipment regularly, especially before/after use. Have the equipment repaired only by our authorized service center.
8. Keep handles dry, clean and free from oil and grease.

KEEP FOR FUTURE REFERENCE

WARNING:

DO NOT let comfort or familiarity with product (gained from repeated use) replace strict adherence to safety rules for the subject product. MISUSE or failure to

follow the safety rules stated in this instruction manual may cause serious personal injury.

IMPORTANT SAFETY INSTRUCTIONS

ENC007-4

FOR BATTERY CARTRIDGE

1. Before using battery cartridge, read all instructions and cautionary markings on (1) battery charger, (2) battery, and (3) product using battery.
2. Do not disassemble battery cartridge.
3. If operating time has become excessively shorter, stop operating immediately. It may result in a risk of overheating, possible burns and even an explosion.
4. If electrolyte gets into your eyes, rinse them out with clear water and seek medical attention right away. It may result in loss of your eyesight.
5. Do not short the battery cartridge:
 - (1) Do not touch the terminals with any conductive material.
 - (2) Avoid storing battery cartridge in a container with other metal objects such as nails, coins, etc.
 - (3) Do not expose battery cartridge to water or rain.
A battery short can cause a large current flow, overheating, possible burns and even a breakdown.
6. Do not store the tool and battery cartridge in locations where the temperature may reach or exceed 50°C (122°F).
7. Do not incinerate the battery cartridge even if it is severely damaged or is completely worn out. The battery cartridge can explode in a fire.
8. Be careful not to drop or strike battery.
9. Do not use dropped or struck battery.

SAVE THESE INSTRUCTIONS.

Tips for maintaining maximum battery life

1. Charge the battery cartridge before completely discharged.
Always stop tool operation and charge the battery cartridge when you notice less tool power.
2. Never recharge a fully charged battery cartridge. Overcharging shortens the battery service life.

Indication lamp	Status	Action to be taken
The lamp blinks in red.	This indicates the appropriate time to replace the battery cartridge when the battery power becomes low.	Recharge the battery cartridge as soon as possible.
The lamp lights up in red. (Note 1)	This function works when the battery power is almost used up. At this time, tool stops immediately.	Recharge the battery cartridge.
The lamp lights up in red. (Note 1)	Autostop due to overload.	Turn off the tool.

Note 1: The time at which the indication lamp lights up varies by the temperature around the work area and the battery cartridge conditions.

3. Charge the battery cartridge with room temperature at 10°C - 40°C (50°F - 104°F). Let a hot battery cartridge cool down before charging it.

FUNCTIONAL DESCRIPTION

⚠ CAUTION:

- Always be sure that the tool is switched off and the battery cartridge is removed before adjusting or checking function on the tool.

Installing or removing battery cartridge (Fig. 1)

- Always switch off the tool before insertion or removal of the battery cartridge.
- To remove the battery cartridge, withdraw it from the tool while pressing the buttons on both sides of the cartridge.
- To insert the battery cartridge, hold it so that the battery cartridge front shape fits to that of the battery installment opening and slip it into place. Always insert it all the way until it locks in place with a little click. If not, it may accidentally fall out of the tool, causing injury to you or someone around you.
- Do not use force when inserting the battery cartridge. If the cartridge does not slide in easily, it is not being inserted correctly.

Switch action (Fig. 2)

⚠ CAUTION:

- Before inserting the battery cartridge into the tool, always check to see that the switch trigger actuates properly and returns to the "OFF" position when released.

To prevent the switch trigger from being accidentally pulled, a lock-off button is provided.

To start the tool, depress the lock-off button and pull the switch trigger. Release the switch trigger to stop. The lock-off button can be pressed from either right or left side.

Indication lamp (Fig. 3)

Running the tool allows the indication lamp to show the battery cartridge capacity status.

When the tool is also overloaded and has stopped during operation, the lamp lights up in red.

Refer to the following table for the status and action to be taken for the indication lamp.

OPERATION

Refer to the Safety Warnings before operation.

⚠ CAUTION:

- Be careful not to accidentally contact a metal fence or other hard objects while trimming. The blade will break and may cause serious injury.
- Also, be careful for the shear blade not to contact the ground.
- Overreaching with a hedge trimmer, particularly from a ladder, is extremely dangerous. Do not work from anything wobbly or infirm. (Fig. 4)

Do not attempt to cut branches thicker than 10 mm diameter with this trimmer. These should first be cut with shears down to the hedge trimming level.

⚠ CAUTION:

- Do not cut off dead trees or similar hard objects. Failure to do so may damage the tool.
- Do not trim the grass or weeds while using hedge shear blade. The shear blade may entangle the grass or weeds. (Fig. 5)

Hold the trimmer with one hand, depress the lock-off button and pull the switch trigger and then move it in front of your body. (Fig. 6)

As a basic operation, tilt the blades towards the trimming direction and move it calmly and slowly at the speed rate of 3 - 4 seconds per meter. (Fig. 7)

To cut a hedge top evenly, it helps to tie a string at the desired hedge height and to trim along it, using it as a reference line. (Fig. 8)

Attaching the chip receiver (accessory) on the tool when trimming the hedge straight can avoid cut off leaves' being thrown away. (Fig. 9)

To cut a hedge side evenly, it helps to cut from the bottom upwards. (Fig. 10)

Trim boxwood or rhododendron from the base toward the top for a nice appearance and good job.

Installing or removing chip receiver (accessory)

⚠ CAUTION:

- Always be sure that the tool is switched off and the battery cartridge is removed before installing or removing chip receiver.

NOTE:

- When replacing the chip receiver, always wear gloves so that hands and face does not directly contact the blade. Failure to do so may cause personal injury.
- When replacing the chip receiver, always be careful not to contact the shear blades.
- The chip receiver receives cut-off leaves and alleviates collecting thrown-away leaves. This can be installed on either side of the tool. (Fig. 11)

Place the chip receiver on the shear blades so that its slits overlap with the screws on the shear blades and secure it using two clamping nuts.

To remove the chip receiver, loosen and remove the two clamping nuts and then take it out.

MAINTENANCE

⚠ CAUTION:

- Always be sure that the tool is switched off and the battery cartridge is removed before attempting to perform inspection or maintenance.

Cleaning the tool

Clean out the tool by wiping off dust with a dry or soap-dipped rag.

⚠ CAUTION:

- Never use gasoline, benzine, thinner, alcohol or the like. Discoloration, deformation or cracks may result.

Shear blade maintenance (Fig. 12)

Smear the blade before and once per hour during operation using machine oil or similars. (Fig. 13)
After operation, remove dust from both sides of the blade with wired brush, wipe off it with a rag and then apply enough low-viscosity oil, such as machine oil etc. and spray-type lubricating oil.

⚠ CAUTION:

- Do not wash the blades in water. Failure to do so may cause rust or damage on the tool.

Removing or installing hedge shear blades

⚠ CAUTION:

- Before removing or installing shear blades, always be sure that the tool is switched off and the battery cartridge is removed.
- When replacing the shear blades, always wear gloves without removing blade cover so that hands and face do not directly contact the blade. Failure to do so may cause personal injury.

NOTE:



- Do not wipe off grease from the gear and crank. Failure to do so may cause damage to the tool.
- For specific way of removing and installing shear blades refer to the reverse of a package for accessory shear blades.

Removing the hedge shear blades (Fig. 14)

⚠ CAUTION:

- Install the blade cover before removing or installing the shear blades.

Reverse the tool. (Fig. 15)

To remove the shear blades, press the locking lever and with the locking lever pressed turn the undercover counterclockwise until the symbol  on the undercover is aligned with the symbol  on the locking lever. (Fig. 16)
Take out the undercover from the tool. (Fig. 17)

Loosen two screws with a coin and similars and remove the shear blades.

NOTE:

- Do not remove the screws. Without removing the screws loosened, shear blades can be removed. (Fig. 18)

Remove the crank from the shear blades.

NOTE:

- The crank may remain in the tool.

Installing the hedge shear blades (Fig. 19)

Prepare the crank, the undercover and new shear blades. (Fig. 20)

Adjust the three detent pin position so that these three pins are aligned with the basic alignment line on the tool housing. (Fig. 21)

Fit the crank with its recessed part facing downward onto the detent pins. At this time, apply a small amount of grease to the periphery of the crank using grease that the shear blades as optional accessory are provided with or that remains inside gear housing. (Fig. 22)

Overlap the oval hole in the upper blade with that in the lower one. Move the shear blades so that the hole in the base plate of shear blades are positioned in the center of these overlapped oval holes. (Fig. 23)

Take out the blade cover from the old shear blades and fit it onto the new ones for easy handling during the replacement of blades. (Fig. 24)

Turn the shear blades upside down and install it so that pin on the tool fit in the hole in the shear blades. Fit the bent part of the base plate of the shear blades to the groove in the tool housing. Then make sure that the base plate of the shear blades is set in place. (Fig. 25)

Tighten two screws with a coin or similars firmly. (Fig. 26)

Place the undercover so that the symbol \ominus on the undercover is aligned with the symbol \triangle on the locking lever. (Fig. 27)

Press the undercover down and with the undercover pressed down turn the undercover clockwise until the symbol \ominus on the label is aligned with the symbol \triangle on the locking lever (the undercover is completely locked).

(Fig. 28)

At this time, make sure that the locking lever fits in the groove in the undercover.

CAUTION:

- Never use the tool without installing the undercover on it.

Remove the blade cover and then turn on the tool to check it for proper movement.

NOTE:

- When the shear blades does not operate properly, there is a poor fit between the blades and crank. Redo from the beginning.

Storage (Fig. 29)

The hook hole in the tool bottom is convenient for hanging the tool from a nail or screw on the wall.

Put the blade cover on the shear blades so that the blades are not exposed. Store the tool out of the reach of children carefully.

Store the tool in the place not exposed to water and rain.

To maintain product SAFETY and RELIABILITY, repairs, carbon brush inspection and replacement, any other maintenance or adjustment should be performed by Makita Authorized Service Centers, always using Makita replacement parts.

ACCESSORIES

CAUTION:

- These accessories or attachments are recommended for use with your Makita tool specified in this manual. The use of any other accessories or attachments might

present a risk of injury to persons. Only use accessory or attachment for its stated purpose.

If you need any assistance for more details regarding these accessories, ask your local Makita Service Center.

- Hedge shear blade cover
- Hedge shear blade assembly
- Chip receiver for hedge trimming
- Makita genuine battery and charger

For cordless grass shear use (Fig. 30)

This tool can be used as a grass shear by using the grass shear blade (optional accessory) and 2-way change set. To use this tool as a grass shear, replacing the hedge shear blades with the grass shear blades is required.

For removing the hedge trimmer blades, refer to the aforementioned section titled "Removing the hedge shear blades".

For installing the grass shear blade, refer to the section below titled "Installing or removing grass shear blades".

- Grass shear blade assembly (for Grass Shear)
- 2-way change set consisting of the following three accessories
- Grass shear blade cover (for Grass Shear)
- Storage case (for blade bottom section)
- Base frame (for Grass Shear)
- Long handle attachment (for Grass Shear)

ASSEMBLY

CAUTION:

- Always be sure that the tool is switched off and the battery cartridge is removed before carrying out any work on the tool.

Installing or removing blade cover

(Fig. 31 & 32)

CAUTION:

- Be careful not to contact the shear blade when installing or removing the blade cover. Contacting the shear blade may cause personal injuries.

Slide the blade cover from the tool's side until the shear blade completely hides itself and then push in it lightly towards the tool from the front.

To remove the blade cover, take the above installation procedure in reverse.

Installing or removing grass shear blades

CAUTION:

- Always be sure that the tool is switched off and the battery cartridge is removed before installing or removing shear blades. Failure to switch off and remove the battery cartridge from the tool may result in serious injury from accidental start-up.
- When replacing the shear blade, always wear gloves without removing blade cover so that hands and face do not directly contact the blade. Failure to do so may cause personal injury.

NOTE:

- Do not wipe off grease from the gear and crank. Failure to do so may cause damage to the tool.
- For specific way of removing and installing shear blades refer to the reverse of a package for accessory shear blades. (Fig. 33)

To install the grass shear blade, prepare the crank, undercover and new grass shear blade. **(Fig. 34)**
Take out the blade cover from the old shear blades and fit it onto the new ones for easy handling during the replacement of blades. **(Fig. 35)**

Adjust the three detent pin position so that these pins are lined up at right angle in relation to the basic alignment line on the tool housing. **(Fig. 36)**

Fit the crank with its recessed part facing upwards onto the detent pins. At this time, apply a small amount of grease to the periphery of the crank using grease that the shear blades as optional accessory are provided with or that remains inside gear housing. **(Fig. 37)**

Overlap the oval hole in the upper blade with that in the lower one. Move the shear blades so that the hole in the base plate of shear blades are positioned in the center of these overlapped oval holes. **(Fig. 38)**

Turn the shear blades upside down and install it so that the detent pins on the tool fit in the hole in the shear blades. Make sure that the shear blades are set in place securely as far as they reach the base plate. **(Fig. 39)**

Place the undercover so that the symbol Ⓜ on the undercover is aligned with the symbol Δ on the locking lever. **(Fig. 40)**

Press the undercover down and with the undercover pressed down turn the undercover clockwise until the symbol Ⓜ on the label is aligned with the symbol Δ on the locking lever (the undercover is completely locked). **(Fig. 41)**

At this time, make sure that the locking lever fits in the groove in the undercover.

Remove the blade cover and then turn on the tool to check it for proper movement.

NOTE:

- When the shear blades does not operate properly, there is a poor fit between the blades and crank. Redo from the beginning. **(Fig. 42)**

Remove the base frame and place the tool upside down.

Δ CAUTION:

- Before placing the tool upside down, be sure to remove the base frame. **(Fig. 43)**

To remove the shear blade, press the locking lever and with the locking lever pressed turn the undercover counterclockwise until the symbol Ⓜ on the undercover is aligned with the symbol Δ on the locking lever. **(Fig. 44)**

Take out the undercover, shear blade and crank in order from the tool. **(Fig. 45)**

NOTE:

- In the 2-way usage, the removed hedge shear blade need to be sheared in the blade storage case and then stored for future use.

Installing or removing base frame

Δ CAUTION:

- Before installing or removing base frame, be sure to install the blade cover.
- When installing or removing base frame, take care that your fingers are not be pinched between the tool and base frame. **(Fig. 46)**

To remove the base frame, upset the tool and take it out of the groove grabbing its bottom. **(Fig. 47)**

To install the base frame, fit the protrusion of base frame near the change lever into the hole for the sheared grass height setting. With the base frame so fitted, pull the lower part of base frame and fit the other part of the base frame in the groove in the tool.

Adjusting the shearing height (Fig. 48)

Changing the position of holding the change lever allows three-stepped setting for sheared grass height (10 mm, 15 mm, 25 mm).

To change setting, tilt the change lever for the base frame position and with the change lever tilted move it up or down along the tool surface until the protrusion on base frame fits in one of the holes in the tool and release it.

OPERATION

Δ WARNING:

- Keep hands away from blades.

Δ CAUTION:

- Smear the blade before and once per hour during operation using machine oil or similars.
- Avoid operating the tool under the scorching sunlight as much as practicable. When operating the tool, be careful of your physical conditions. **(Fig. 49)**

Turn the tool on after adjusting the shearing height and hold it so that the foot of the tool rest on the ground. Then gently move the tool forward into the area to be cut. **(Fig. 50)**

When trimming around curb, fence or trees, move the tool along them. Be careful for the blade not to contact them. **(Fig. 51)**

When trimming sprouts or foliage of a small tree, remove the base frame from the tool and cut little by little. Shear big branches to your desired height beforehand using branch scissors before using this tool.

Δ CAUTION:

- When trimming twigs and foliage, do not attempt to trim too much at a time. Proceed gently. Also do not attempt to cut thick branches.
- Do not let the shear blades contact the grounds during operation. The blades will be dulled, causing poor performance.
- Do not trim wet grass or foliage of small trees.

Noise

ENG104-2

The typical A-weighted noise level determined according to EN60745:

Sound pressure level (L_{pA}): 73.7 dB (A)

Uncertainty (K): 2.5 dB (A)

The noise level under working may exceed 80 dB (A).

Wear ear protection.

Vibration

ENG244-1

The vibration emission value determined according to EN60745:

Vibration emission (a_h): 2.5 m/s² or less

Uncertainty (K): 1.5 m/s²

ENG901-1

- The declared vibration emission value has been measured in accordance with the standard test method and may be used for comparing one tool with another.
- The declared vibration emission value may also be used in a preliminary assessment of exposure.

⚠ WARNING:

- The vibration emission during actual use of the power tool can differ from the declared emission value depending on the ways in which the tool is used.
- Be sure to identify safety measures to protect the operator that are based on an estimation of exposure in the actual conditions of use (taking account of all parts of the operating cycle such as the times when the tool is switched off and when it is running idle in addition to the trigger time).

**For European countries only
EC Declaration of Conformity**

ENH021-5

**We Makita Corporation as the responsible
manufacturer declare that the following Makita
machine(s):**

Designation of Machine:
Cordless Hedge Trimmer
Model No./ Type: UH200D
Specifications: see "SPECIFICATIONS" table.

are of series production and

Conforms to the following European Directives:

2000/14/EC, 2006/42/EC

And are manufactured in accordance with the following
standards or standardised documents:

EN60745

The technical documentation is kept by our authorised
representative in Europe who is:

Makita International Europe Ltd.,
Michigan, Drive, Tongwell,
Milton Keynes, MK15 8JD, England

The conformity assessment procedure required by
Directive 2000/14/EC was in Accordance with annex V.
Measured Sound Power Level: 81.8 dB
Guaranteed Sound Power Level: 84 dB

27th August 2009



Tomoyasu Kato
Director

Makita Corporation
3-11-8, Sumiyoshi-cho,
Anjo, Aichi, JAPAN

FRANÇAIS (Instructions d'origine)

Descriptif

- | | | |
|---|--|---|
| 1. Batterie | 15. Huile pour machine | 29. Orifice dans la plaque de base des lames de cisailles |
| 2. Bouton | 16. Couvercle de protection de la lame | 30. Plaque de base |
| 3. Bouton de sécurité | 17. Couvercle supérieur | 31. Partie incurvée de la plaque de base des lames de cisailles |
| 4. Gâchette | 18. Levier de verrouillage | 32. Rainure dans le couvercle supérieur |
| 5. Voyant | 19. Appuyez | 33. Orifice du crochet |
| 6. Sens de la taille | 20. Tournez | 34. Lame de cisailles à gazon |
| 7. Inclinez les lames | 21. Vis | 35. Couvercle de protection de la lame de cisailles à gazon |
| 8. Surface de la haie à tailler | 22. Bielle | 36. Étui de rangement |
| 9. Ficelle | 23. Lames de cisailles | 37. Châssis |
| 10. Écrous de serrage de collier | 24. Repère d'alignement de base sur le carter de l'outil | 38. Rainure |
| 11. Récepteur de copeaux | 25. Clous | 39. Levier de changement |
| 12. Vis sur les lames de cisailles | 26. Appliquez de la graisse. | 40. Saillie sur le châssis |
| 13. Couvercle de protection de la lame à installer systématiquement avant d'installer le récepteur de copeaux | 27. Partie encastrée de la bielle | |
| 14. Brosse | 28. Orifices ovales qui se chevauchent | |

SPÉCIFICATIONS

Modèle	UH200D
Longueur de la lame	200 mm
Passes par minute (min ⁻¹)	1 250
Longueur totale	460 mm
Poids net	1,2 kg
Tension nominale	10,8 V C.C.


- Étant donné l'évolution constante de notre programme de recherche et de développement, les spécifications contenues dans ce manuel sont sujettes à des modifications sans préavis.
- Les spécifications peuvent varier suivant les pays.
- Poids conforme à la procédure EPTA 01/2003

Symboles


END011-3

Les symboles utilisés pour l'outil sont indiqués ci-dessous. Assurez-vous d'avoir bien compris leur signification avant d'utiliser l'outil.


 Utilisez d'attention et de soins particuliers !


 ... Reportez-vous au manuel d'instructions.

 Gardez à l'abri de la pluie.

 Danger ; faites attention au risque de projection d'objets.

 Éloignez les spectateurs.

 L'organe de coupe continue à fonctionner une fois le moteur éteint.

 Cd Ni-MH Li-ion Pour les pays européens uniquement
Ne pas jeter les appareils électriques et les batteries dans les ordures

ménagères !

Conformément à la directive européenne 2002/96/CE relative aux déchets d'équipements électriques ou électroniques (DEEE) et à la directive 2006/66/CE relative aux batteries, aux accumulateurs ainsi qu'aux batteries et accumulateurs usagés et à leur transposition dans la législation nationale, les appareils électriques et les batteries doivent être collectés à part et être soumis à un recyclage respectueux de l'environnement.


Utilisations

Cet outil est conçu pour le taillage des haies.

ENE014-1

Consignes de sécurité générales des outils électriques

GEA010-1

 **AVERTISSEMENT** Veuillez lire toutes les consignes de sécurité et les instructions. Il y a un risque de choc électrique, d'incendie et/ou de blessure grave si les consignes et les instructions ne sont pas toutes respectées.

Conservez toutes les consignes et instructions pour référence ultérieure.

CONSIGNES DE SÉCURITÉ DU TAILLE-HAIE SANS FIL

GEB062-2

1. **Tenez l'outil par ses surfaces de prise isolées uniquement car la lame de coupe risque d'entrer en contact avec des fils cachés.** Il est possible que le contact avec un fil sous tension mette les parties métalliques exposées de l'outil sous tension, risquant ainsi de provoquer un choc électrique chez l'utilisateur.
2. **Maintenez toutes les parties du corps éloignées de la lame de coupe. Ne retirez pas et ne retenez pas le matériau à couper lorsque les lames sont en mouvement. Assurez-vous que l'outil est éteint lors du dégagement des matériaux enchevêtrés.** Tout moment d'inattention pendant l'utilisation du taille-haie comporte un risque de blessure corporelle grave.
3. **Portez le taille-haie par la poignée après avoir arrêté la lame de coupe. Lors du transport ou du stockage du taille-haie, fermez toujours le couvercle du dispositif de coupe.** Une utilisation correcte du taille-haie permettra de réduire les risques éventuels de blessures corporelles par la lame de coupe.
4. N'utilisez pas le taille-haie sous la pluie ou dans des conditions d'humidité importante. Le moteur électrique n'est pas étanche.
5. Les personnes utilisant le taille-haie pour la première fois doivent demander à un utilisateur expérimenté de leur indiquer la procédure d'utilisation du taille-haie.
6. Le taille-haie ne doit pas être utilisé par les enfants ni les jeunes âgés de moins de 18 ans. Cette restriction ne s'applique pas aux jeunes de 16 ans ou plus ayant reçu une formation sous la supervision d'un spécialiste.
7. Utilisez le taille-haie uniquement si vous êtes en bonne condition physique. Si vous êtes fatigué(e), votre attention sera réduite. Soyez particulièrement prudent(e) à la fin d'une journée de travail. Effectuez tout le travail avec calme et prudence. L'utilisateur est responsable de tous les dommages causés aux tiers.
8. N'utilisez jamais le taille-haie après avoir consommé de l'alcool, de la drogue ou des médicaments.
9. Assurez-vous que la tension et la fréquence de l'alimentation correspondent aux spécifications indiquées sur la plaque d'identification. Nous vous recommandons d'utiliser un disjoncteur de courant résiduel (interrupteur différentiel) avec un courant de déclenchement de 30 mA au maximum, ou un protecteur de courant de fuite à la terre.
10. Les gants de travail en cuir épais font partie de l'équipement de base du taille-haie et vous devez toujours les porter lorsque vous travaillez avec l'outil. Portez également des chaussures solides munies de semelles anti-dérapantes.
11. Avant de commencer à travailler, assurez-vous que le taille-haie est en état de fonctionnement correct et sûr. Assurez-vous que les garde-corps sont correctement

installés. Vous pouvez utiliser le taille-haie uniquement s'il est entièrement monté.

12. Assurez-vous d'avoir une bonne prise au sol avant de commencer à travailler.
13. Maintenez l'outil fermement lors de son utilisation.
14. Ne faites pas fonctionner inutilement l'outil à vide.
15. Coupez immédiatement le moteur et retirez la batterie si la lame entre en contact avec une clôture ou un autre objet dur. Vérifiez que la lame n'est pas endommagée ; dans le cas contraire, réparez-la immédiatement.
16. Avant de vérifier la lame, corriger les problèmes ou retirer les matériaux happés par la lame, éteignez toujours le taille-haie et retirez la batterie.
17. Mettez le taille-haie hors tension et retirez la batterie avant d'effectuer toute tâche d'entretien.
18. Lorsque vous déplacez le taille-haie dans un lieu différent, notamment pendant le travail, retirez toujours la batterie. Ne déplacez et ne transportez jamais le taille-haie alors que la lame est en mouvement. Ne saisissez jamais la lame dans les mains.
19. Nettoyez le taille-haie et en particulier la lame après utilisation et avant de ranger le taille-haie pendant une période prolongée. Lubrifiez légèrement la lame et mettez l'étui de protection. Vous pouvez suspendre l'étui fourni avec l'appareil au mur, ce qui vous permet de ranger le taille-haie de manière sûre et pratique.
20. Placez le taille-haie dans son étui avant de le ranger et mettez-le dans une pièce sèche. Conservez-le hors de portée des enfants. Ne rangez jamais le taille-haie à l'extérieur.

CONSERVEZ CES INSTRUCTIONS.

⚠ ATTENTION :

NE vous laissez PAS tromper (au fil d'une utilisation répétée) par un sentiment d'aisance et de familiarité avec le produit, en négligeant le respect rigoureux des consignes de sécurité qui accompagnent l'outil. Une UTILISATION INCORRECTE de l'outil ou un non-respect des consignes de sécurité indiquées dans ce manuel d'instructions peuvent causer des blessures graves.

AVERTISSEMENTS DE SÉCURITÉ CONCERNANT LA CISAILLE À GAZON SANS FIL

GEB070-2

⚠ AVERTISSEMENT ! IMPORTANT LISEZ

ATTENTIVEMENT toutes les consignes de sécurité et toutes les instructions AVANT D'UTILISER L'OUTIL. Il y a un risque de choc électrique, d'incendie et/ ou de blessure grave si les consignes et les instructions ne sont pas toutes respectées.

Conservez toutes les consignes et instructions pour référence ultérieure.

Instructions générales

1. Pour une utilisation correcte, lisez ce mode d'emploi afin de vous familiariser avec le fonctionnement de l'appareil. Sans ces informations, vous risquez de ne pas utiliser l'appareil correctement et de vous mettre en danger ou de blesser d'autres personnes.
2. Ne prêtez jamais l'appareil à des personnes n'ayant pas connaissance de ces instructions, des personnes (y compris des enfants) dont les capacités physiques, sensorielles ou mentales sont réduites ou manquant d'expérience et de connaissance de ce type d'appareil. Les réglementations locales peuvent limiter l'âge de l'opérateur.
3. N'utilisez l'appareil qu'avec une précaution et une attention extrêmes.
4. Utilisez l'appareil uniquement si vous êtes en bonne condition physique. Effectuez tout le travail avec calme et prudence. Faites preuve de bon sens et gardez à l'esprit que l'opérateur ou l'utilisateur est responsable des accidents ou blessures infligés à d'autres personnes ou à leurs biens.
5. N'utilisez jamais l'appareil lorsque des personnes, particulièrement des enfants, ou des animaux se trouvent à proximité.
6. N'utilisez jamais l'appareil après avoir consommé de l'alcool ou de la drogue, ou bien si vous vous sentez fatigué ou malade.
7. Éteignez immédiatement le moteur si vous constatez un problème ou une anomalie avec l'appareil.
8. Lorsque vous rangez l'appareil et que vous le laissez sans surveillance, mettez-le hors tension, retirez la batterie et placez-le en lieu sûr pour protéger les autres et éviter que l'appareil ne s'abîme.
9. N'utilisez pas l'appareil au-dessus des capacités pour lesquels il a été conçu : cela pourrait nuire à la qualité du travail et provoquer un risque de blessures.
10. Ne tendez pas le bras de manière excessive. Assurez-vous d'une bonne prise au sol et d'une bonne position d'équilibre à tout moment.

Dispositif de protection individuelle

1. Portez des vêtements adéquats. Les vêtements que vous portez doivent être fonctionnels et appropriés, c'est-à-dire qu'ils doivent être près du corps, sans pour autant gêner vos mouvements. Ne portez pas de bijoux ou de vêtements susceptibles d'être happés par l'appareil. Portez un filet de protection pour envelopper les cheveux longs.
2. Portez toujours des lunettes de protection et des chaussures solides lors de l'utilisation de l'appareil.

Sécurité électrique et de la batterie

1. Évitez les environnements dangereux. N'utilisez pas l'appareil dans des lieux humides et ne l'exposez pas aux intempéries. Le risque de choc électrique augmente lorsque de l'eau pénètre dans un appareil électrique.
2. N'utilisez que le chargeur spécifié par le fabricant. Un chargeur qui convient à un type de batterie peut créer un risque d'incendie s'il est utilisé avec un autre type de batterie.

3. Utilisez les outils électriques uniquement avec les batteries désignées. L'utilisation d'autres types de batterie peut créer un risque de blessures et d'incendie.
4. Lorsque le bloc-batterie n'est pas utilisé, gardez-le éloigné de tout objet métallique, comme les trombones, pièces, clefs, clous, vis ou autres petits objets métalliques, qui peuvent faire office de connexion d'une borne à l'autre. Court-circuiter les bornes de la batterie peut provoquer des brûlures ou un incendie.
5. En cas de mauvaise utilisation, du liquide peut fuir de la batterie ; évitez tout contact. Si un contact accidentel se produit, nettoyez avec de l'eau. Si le liquide entre en contact avec les yeux, consultez un médecin. Le liquide émis par la batterie peut provoquer une irritation ou des brûlures.
6. Ne jetez pas les batteries au feu. Elles risqueraient d'exploser. Consultez la réglementation locale pour connaître les éventuelles consignes de mise au rebut spéciales.
7. N'ouvrez pas les batteries et n'essayez pas de les démonter. L'électrolyte libéré est corrosif et risquerait de blesser vos yeux ou votre peau. Si vous l'avez, il peut se révéler toxique.

Démarrage de l'appareil

1. Assurez-vous qu'aucun enfant ou adulte ne se trouve à proximité et faites attention aux animaux situés dans la zone de travail. Le cas échéant, arrêtez l'appareil.
2. Avant d'utiliser l'appareil, vérifiez toujours qu'il ne présente aucun danger. Vérifiez la sécurité de l'outil tranchant et de son protège-lame, ainsi que le fonctionnement de la gâchette et du levier. Vérifiez que les poignées sont propres et sèches, ainsi que le bon fonctionnement de l'interrupteur marche/arrêt.
3. Recherchez les éventuelles pièces endommagées avant de continuer à utiliser l'appareil. Un protège-lame ou une autre pièce endommagée(e) doit être inspecté(e) soigneusement pour déterminer s'il/si elle va fonctionner correctement. Assurez-vous que les pièces en mouvement sont alignées et se déplacent librement, qu'aucune pièce n'est cassée, que les pièces sont correctement montées et qu'aucune anomalie ne risque d'affecter le fonctionnement de l'appareil. Un protège-lame ou toute autre pièce endommagée(e) doit être correctement réparé(e) ou remplacé(e) par un centre de service agréé, sauf indication contraire dans ce manuel.
4. Ne mettez le moteur sous tension que lorsque vos mains et vos pieds sont éloignés de la lame.
5. Avant de commencer, assurez-vous que l'outil de coupe ne touche aucun objet.

Mode d'emploi

1. N'utilisez l'appareil que dans des conditions d'éclairage et de luminosité suffisantes. Par temps froid, soyez attentifs aux zones glissantes ou mouillées, au verglas et à la neige (risque de glissade). Assurez-vous toujours d'avoir une bonne stabilité.
2. Faites attention à ne pas vous blesser les pieds et les mains avec l'outil de coupe.
3. N'utilisez jamais l'appareil sur une échelle.

4. Ne montez jamais dans un arbre pour utiliser l'appareil.
5. Ne travaillez jamais sur des surfaces instables.
6. Enlevez le sable, les pierres, les clous, etc., trouvés à l'intérieur du périmètre de travail. Des corps étrangers peuvent endommager l'outil de coupe et causer des chocs en retour dangereux.
7. Si l'outil de coupe heurte des pierres ou d'autres objets durs, éteignez de suite le moteur et examinez l'outil de coupe.
8. Examinez l'outil de coupe à intervalles réguliers courts pour voir s'il n'a pas subi de dommages (détection de fissures capillaires en utilisant le test de tapping).
9. Avant de commencer à couper, assurez-vous que l'outil de coupe a atteint sa vitesse de fonctionnement maximale.
10. L'outil de coupe doit toujours être équipé de son protège-lame approprié. N'utilisez jamais l'appareil si les protège-lames sont endommagés ou s'ils ne sont pas en place !
11. Vous devez utiliser tous les carters et dispositifs de protection fournis avec l'appareil pendant son utilisation.
12. Retirez toujours la batterie de l'appareil :
 - toutes les fois où l'appareil doit être laissé sans surveillance ;
 - avant toute opération de retrait d'obstruction ;
 - avant toute opération de vérification, de nettoyage ou de réparation de l'appareil ;
 - après avoir heurté un objet étranger ;
 - dès que l'appareil commence à vibrer de manière anormale.
13. Assurez-vous toujours que les ouvertures de ventilation ne sont pas obstruées par des débris.

Outils de coupe

1. Utilisez uniquement l'outil de coupe adapté au travail.

Instructions d'entretien

1. Avant d'utiliser l'appareil, vérifiez son état, et notamment l'outil de coupe et les dispositifs de protection.
2. Avant d'effectuer une opération d'entretien, de remplacer les lames ou de nettoyer l'appareil ou la lame, mettez le moteur hors tension et retirez la batterie.
3. Vérifiez que les dispositifs de fixation sont bien attachés et recherchez les éventuelles pièces endommagées, comme des fissures sur la fixation de l'outil de coupe.
4. Suivez les instructions de lubrification et de changement des accessoires.
5. Lorsque vous n'utilisez pas l'appareil, rangez-le en intérieur, dans un endroit sec et, élevé ou verrouillé, hors de portée des enfants. Nettoyez l'appareil et effectuez les opérations d'entretien avant de le ranger.
6. N'utilisez que les pièces et accessoires de remplacement recommandés par le fabricant.
7. Inspectez et assurez régulièrement l'entretien de l'appareil, particulièrement avant/après utilisation. Ne faites réparer l'appareil que par notre centre de service agréé.
8. Gardez les poignées de l'outil sèches, propres et exemptes d'huile ou de graisse.

CONSERVER POUR RÉFÉRENCE ULTÉRIEURE.

⚠ ATTENTION :

NE vous laissez PAS tromper (au fil d'une utilisation répétée) par un sentiment d'aisance et de familiarité avec le produit, en négligeant le respect rigoureux des consignes de sécurité qui accompagnent l'outil. Une UTILISATION INCORRECTE de l'outil ou un non-respect des consignes de sécurité indiquées dans ce manuel d'instructions peuvent causer des blessures graves.

CONSIGNES DE SÉCURITÉ IMPORTANTES

ENC007-4

POUR LA BATTERIE

1. **Avant d'utiliser la batterie, veuillez lire toutes les instructions et tous les avertissements inscrits sur (1) le chargeur, (2) la batterie et (3) l'appareil alimenté par la batterie.**
2. **Ne démontez pas la batterie.**
3. **Cessez immédiatement d'utiliser l'appareil si la durée de fonctionnement devient excessivement courte. Il y a risque de surchauffe, de brûlures, voire d'explosion.**
4. **Si l'électrolyte pénètre dans vos yeux, rincez-les à l'eau claire et consultez immédiatement un médecin. Il y a risque de perte de la vue.**
5. **Ne court-circuitez pas la batterie :**
 - (1) **Ne touchez les bornes avec aucun matériau conducteur.**
 - (2) **Évitez de ranger la batterie dans un contenant où se trouvent d'autres objets métalliques tels que des clous, pièces de monnaie, etc.**
 - (3) **N'exposez pas la batterie à l'eau ou à la pluie. Un court-circuit de la batterie risque de provoquer un fort courant, une surchauffe, parfois des brûlures et même une panne.**
6. **Ne rangez pas l'outil ou la batterie dans des endroits où la température risque d'atteindre ou de dépasser 50°C (122°F).**
7. **Ne jetez pas la batterie au feu même si elle est sérieusement endommagée ou complètement épuisée. La batterie peut exploser au contact du feu.**
8. **Veillez à ne pas laisser tomber ou heurter la batterie.**
9. **N'utilisez pas une batterie qui est tombée ou qui a subi un choc.**

CONSERVEZ CES INSTRUCTIONS.

Conseils pour assurer la durée de vie optimale de la batterie

1. **Rechargez la batterie avant qu'elle ne soit complètement épuisée. Arrêtez toujours l'outil et rechargez la batterie lorsque vous constatez que la puissance de l'outil diminue.**

2. **Ne rechargez jamais une batterie complètement chargée. La surcharge réduit la durée de service de la batterie.**
3. **Chargez la batterie lorsque la température de la pièce se trouve entre 10°C et 40°C (50°F et 104°F). Si une batterie est chaude, laissez-la refroidir avant de la charger.**

DESCRIPTION DU FONCTIONNEMENT

⚠ ATTENTION :

- Veillez toujours à ce que l'outil soit éteint et la batterie déposée avant d'effectuer des réglages ou de vérifier le fonctionnement de l'outil.

Installation ou retrait de la batterie (Fig. 1)

- Mettez toujours l'outil hors tension avant d'insérer ou de retirer la batterie.
- Pour déposer la batterie, retirez-la de l'outil en appuyant sur les boutons situés de chaque côté de la batterie.
- Pour insérer la batterie, tenez-la de sorte que la forme de l'avant de la batterie s'ajuste à celle de l'ouverture aménagée de la batterie et faites-la glisser en position. Insérez-la toujours bien à fond, jusqu'à ce qu'elle se verrouille en émettant un léger clic. Sinon, la batterie

risque de tomber accidentellement de l'outil, en vous blessant ou en blessant une personne se trouvant près de vous.

- N'appliquez pas une force excessive lors de l'insertion de la batterie. Si la batterie ne glisse pas aisément, c'est qu'elle n'est pas insérée correctement.

Interrupteur (Fig. 2)

⚠ ATTENTION :

- Avant d'insérer la batterie dans l'outil, vérifiez toujours que la gâchette fonctionne bien et revient en position d'arrêt lorsqu'elle est relâchée.

Pour éviter tout déclenchement accidentel de la gâchette, l'outil est muni d'un bouton de sécurité.

Pour démarrer l'outil, enfoncez le bouton de sécurité puis appuyez sur la gâchette. Pour l'arrêter, relâchez la gâchette. Vous pouvez appuyer sur les côtés gauche et droit du bouton de sécurité.

Voyant (Fig. 3)

Faites fonctionner l'outil pour que le voyant indique l'autonomie restante de la batterie.

Si l'outil est également surchargé et s'arrête pendant son fonctionnement, le voyant rouge s'allume.

Reportez-vous au tableau suivant pour connaître l'état de la batterie et la mesure à prendre concernant le voyant.

Voyant	État	Mesure à prendre
Le voyant rouge clignote.	Cela indique le bon moment pour remplacer la batterie lorsque son alimentation faiblit.	Rechargez la batterie dans les plus brefs délais.
Le voyant rouge s'allume. (Remarque 1)	Cette fonction se déclenche lorsque l'autonomie de la batterie est quasiment nulle. À ce stade, l'outil s'arrête immédiatement.	Rechargez la batterie.
Le voyant rouge s'allume. (Remarque 1)	Arrêt automatique en raison d'une surcharge.	Éteignez l'outil.

Remarque 1 : l'heure à laquelle le voyant s'allume varie selon la température de la zone de travail et l'état de la batterie.

FONCTIONNEMENT

Avant de faire fonctionner l'outil, reportez-vous aux avertissements de sécurité.

⚠ ATTENTION :

- Veillez à ne pas toucher accidentellement une clôture métallique ou d'autres objets durs lors de la taille. La lame pourrait se briser et provoquer de graves blessures.
- Veillez également à ce que la lame de cisailles n'entre pas en contact avec le sol.
- Il est extrêmement dangereux de tendre le bras trop loin avec un taille-haie, en particulier depuis une échelle. Ne travaillez pas sur une surface bancale ou instable. (Fig. 4)

N'essayez pas de couper des branches dont l'épaisseur est supérieure à 10 mm de diamètre avec ce taille-haie. Vous devez d'abord les couper avec des cisailles jusqu'au niveau du taillage de haie.

⚠ ATTENTION :

- Ne coupez pas les arbres morts ou objets durs similaires. Vous risqueriez d'endommager l'outil.
- Ne taillez pas le gazon ou les mauvaises herbes à l'aide de la lame de cisailles pour haie. La lame de cisailles pourrait happer le gazon ou les mauvaises herbes. (Fig. 5)

Tenez le taille-haie dans une main, appuyez sur le bouton de sécurité et sur la gâchette, puis déplacez le taille-haie devant vous. (Fig. 6)

Le fonctionnement de base consiste à incliner les lames dans le sens de la taille et à les déplacer calmement et lentement à une vitesse nominale de 3 à 4 secondes par mètre. (Fig. 7)

Pour couper le haut d'une haie de manière régulière, vous pouvez attacher une corde au niveau de la hauteur souhaitée de la haie et tailler le long de celle-ci, en l'utilisant comme une ligne de référence. (Fig. 8)

La fixation du récepteur de copeaux (accessoire) sur l'outil lors du taillage de la haie de manière droite peut éviter que les feuilles coupées soient éparpillées. (Fig. 9)

Pour couper le côté d'une haie de manière régulière, coupez-la de bas en haut. (Fig. 10)

Taillez le buis ou les rhododendrons de la base vers le haut afin d'obtenir une jolie haie et un travail bien fait.

Installation ou retrait du récepteur de copeaux (accessoire)

⚠ ATTENTION :

- Assurez-vous toujours que l'outil est hors tension et que la batterie est retirée avant d'installer ou de retirer le récepteur de copeaux.

REMARQUE :

- Lorsque vous remplacez le récepteur de copeaux, portez toujours des gants, de sorte que vos mains et votre visage ne soient pas en contact direct avec la lame. Le non-respect de cette instruction peut provoquer des blessures corporelles.
- Lors du remplacement du récepteur de copeaux, veillez constamment à ne pas toucher les lames de cisailles.
- Le récepteur de copeaux reçoit les feuilles coupées et facilite le recueil des feuilles éparpillées. Il s'installe d'un côté comme de l'autre de l'outil. (Fig. 11)

Placez le récepteur de copeaux sur les lames de cisailles de sorte que ses fentes chevauchent les vis situées sur les lames de cisailles, puis fixez-le à l'aide de deux écrous de serrage de collier.

Pour retirer le récepteur de copeaux, dévissez et retirez les deux écrous de serrage de collier, puis ôtez le récepteur.

ENTRETIEN

⚠ ATTENTION :

- Assurez-vous toujours que l'outil est hors tension et que la batterie est retirée avant d'y effectuer tout travail d'inspection ou d'entretien.

Nettoyage de l'outil

Pour nettoyer l'outil, essuyez la poussière à l'aide d'un chiffon sec ou imbibé d'eau savonneuse.

⚠ ATTENTION :

- N'utilisez jamais d'essence, de benzine, de diluant, d'alcool ou de produit similaire. Ces produits risquent de provoquer des décolorations, des déformations ou des fissures.

Entretien de la lame de cisailles (Fig. 12)

Lubrifiez la lame à l'aide d'huile pour machines ou de produits similaires avant d'utiliser l'outil et toutes les heures pendant son fonctionnement. (Fig. 13)

Après le fonctionnement de l'outil, retirez la poussière des deux côtés de la lame à l'aide d'une brosse métallique, essuyez-la à l'aide d'un chiffon, puis appliquez suffisamment d'huile à basse viscosité, telle que de l'huile pour machines, de l'huile de graissage à pulvérisation, etc.

⚠ ATTENTION :

- Ne lavez pas les lames dans l'eau. Vous risqueriez de provoquer l'apparition de rouille ou d'endommager l'outil.

Retrait ou installation des lames de cisailles pour haie

⚠ ATTENTION :

- Avant de retirer ou d'installer les lames de cisailles, assurez-vous toujours que l'outil est hors tension et que la batterie est retirée.
- Lorsque vous remplacez les lames de cisailles, portez toujours des gants sans retirer le couvercle de protection de la lame, de sorte que vos mains et votre visage ne soient pas en contact direct avec la lame. Le non-respect de cette instruction peut provoquer des blessures corporelles.

REMARQUE :


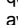
- N'essayez pas la graisse de l'engrenage et de la bielle. Vous risqueriez d'endommager l'outil.
- Pour connaître les procédures spécifiques de retrait et d'installation des lames de cisailles, reportez-vous au dos de l'emballage des lames de cisailles fournies en accessoires.

Retrait des lames de cisaille pour haie (Fig. 14)

⚠ ATTENTION :

- Installez le couvercle de protection de la lame avant de retirer ou d'installer les lames de cisailles.

Retournez l'outil. (Fig. 15)

Pour retirer les lames de cisailles, appuyez sur le levier de verrouillage et maintenez-le enfoncé tout en tournant le couvercle supérieur dans le sens antihoraire jusqu'à ce que le symbole  sur le couvercle supérieur soit aligné avec le symbole  sur le levier de verrouillage. (Fig. 16)

Retirez le couvercle supérieur de l'outil. (Fig. 17)
Dévissez deux vis à l'aide d'une pièce de monnaie ou d'un objet similaire et retirez les lames de cisailles.

REMARQUE :

- Ne retirez pas les vis. Vous pouvez retirer les lames de cisailles sans ôter les vis. (Fig. 18)
Retirez la bielle des lames de cisailles.

REMARQUE :

- La bielle peut rester dans l'outil.

Installation des lames de la cisaille pour haie (Fig. 19)

Préparez la bielle, le couvercle supérieur et les lames de cisailles neuves. (Fig. 20)

Réglez la position des trois clous d'arrêt de sorte qu'ils soient alignés par rapport au repère d'alignement de base sur le carter de l'outil. (Fig. 21)



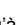

Installez la bielle en orientant sa partie encastrée vers le bas sur les clous d'arrêt. À ce stade, appliquez à la périphérie de la bielle un peu de graisse fournie en option avec les lames de cisailles ou située à l'intérieur du carter d'engrenage. (Fig. 22)

Faites en sorte que l'orifice ovale de la lame supérieure chevauche celui de la lame inférieure. Déplacez les lames de cisailles, de sorte que l'orifice situé dans la plaque de base des lames de cisailles se trouve au centre des orifices ovales qui se chevauchent. (Fig. 23)

Retirez le couvercle de protection des anciennes lames de cisailles et installez-le sur les lames neuves afin de faciliter la manipulation lors du remplacement des lames. (Fig. 24)

Tournez les lames de cisailles à l'envers et installez-les de sorte que le clou situé sur l'outil s'insère dans l'orifice

des lames de cisailles. Installez la partie incurvée de la plaque de base des lames de cisailles dans la rainure du carter de l'outil. Ensuite, assurez-vous que la plaque de base des lames de cisailles est bien en place. **(Fig. 25)** Serrez à fond deux vis à l'aide d'une pièce de monnaie ou d'un objet similaire. **(Fig. 26)**

Placez le couvercle supérieur de sorte que le symbole  situé sur le couvercle supérieur soit aligné avec le symbole  sur le levier de verrouillage. **(Fig. 27)** Appuyez sur le couvercle supérieur et maintenez-le enfoncé tout en le tournant dans le sens horaire jusqu'à ce que le symbole  sur l'étiquette soit aligné avec le symbole  sur le levier de verrouillage (le couvercle supérieur est complètement verrouillé). **(Fig. 28)** À ce stade, assurez-vous que le levier de verrouillage s'insère dans la rainure du couvercle supérieur.

ATTENTION :

- N'utilisez jamais l'outil sans installer le couvercle supérieur.

Déposez le couvercle de protection de la lame, puis mettez l'outil sous tension pour vérifier que le mouvement est correct.

REMARQUE :

- Si les lames de cisailles ne fonctionnent pas correctement, le contact entre les lames et la bielle est mauvais. Recommencez l'opération depuis le début.

Entreposage (Fig. 29)

L'orifice du crochet situé dans la partie inférieure de l'outil est pratique pour suspendre l'outil à un clou ou une vis au mur.

Placez le couvercle de protection de la lame sur les lames de cisailles afin qu'elles ne soient pas exposées. Veillez à ranger l'outil hors de portée des enfants.

Rangez l'outil à l'abri de la pluie et de l'eau.

Pour assurer la SÉCURITÉ et la FIABILITÉ du produit, toute réparation, inspection et remplacement des charbons, ainsi que toute autre tâche de maintenance ou de réglage, doivent être effectués par un Centre de service agréé Makita, toujours avec des pièces de rechange Makita.

ACCESSOIRES

ATTENTION :

- Ces accessoires ou pièces complémentaires sont recommandés pour être utilisés avec l'outil Makita spécifié dans ce mode d'emploi. L'utilisation de tout autre accessoire ou pièce complémentaire peut comporter un risque de blessure. N'utilisez les accessoires ou pièces qu'aux fins auxquelles ils ont été conçus.

Pour obtenir plus de détails sur ces accessoires, contactez votre Centre de service local Makita.

- Couvercle de protection de la lame de cisailles pour haie
- Ensemble de lame de cisailles pour haie
- Récepteur de copeaux pour le taillage des haies
- Batterie et chargeur Makita authentiques

Pour utiliser la cisaille à gazon sans fil (Fig. 30)

Cet outil peut être utilisé comme une cisaille à gazon grâce à sa lame de cisailles à gazon (accessoire fourni en option) et à l'ensemble de remplacement à double articulation.

Pour utiliser cet outil comme une cisaille à gazon, vous devez remplacer les lames de cisailles pour haie par les lames de cisailles à gazon.

Pour retirer les lames de taille-haie, reportez-vous à la section ci-dessus intitulée « Retrait des lames de cisailles pour haie ».

Pour installer les lames de cisailles à gazon, reportez-vous à la section ci-dessous intitulée « Installation ou retrait des lames de cisailles à gazon ».

- Ensemble de lame de cisailles à gazon (pour cisailles à gazon)
- Ensemble de remplacement à double articulation composé des trois accessoires suivants
- Couvercle de protection de la lame de cisailles à gazon (pour cisailles à gazon)
- Étui de rangement (pour la section inférieure relative à la lame)
- Châssis (pour cisailles à gazon)
- Accessoire à long manche (pour cisailles à gazon)

ASSEMBLAGE

ATTENTION :

- Assurez-vous toujours que l'outil est hors tension et que la batterie est retirée avant d'effectuer toute intervention sur l'outil.

Installation et retrait du couvercle de protection de la lame (Fig. 31 et 32)

ATTENTION :

- Veillez à ne pas toucher la lame de cisailles lors de l'installation ou du retrait du couvercle de protection de la lame. Si vous touchez la lame de cisailles, vous risquez de vous blesser.

Faites coulisser le couvercle de protection de la lame depuis le côté de l'outil jusqu'à ce que la lame de cisailles disparaisse complètement, puis appuyez dessus légèrement vers l'outil depuis la partie avant.

Pour retirer le couvercle de protection de la lame, suivez la procédure d'installation ci-dessus en sens inverse.

Installation ou retrait des lames de cisailles à gazon

ATTENTION :

- Assurez-vous toujours que l'outil est hors tension et que la batterie est retirée avant d'installer ou de retirer les lames de cisailles. Si vous ne mettez pas l'outil hors tension et ne retirez pas la batterie, vous risquez de vous blesser gravement suite à un démarrage accidentel.
- Lorsque vous remplacez la lame de cisailles, portez toujours des gants sans retirer le couvercle de protection de la lame, de sorte que vos mains et votre visage ne soient pas en contact direct avec la lame. Le non-respect de cette instruction peut provoquer des blessures corporelles.

REMARQUE :

- N'essayez pas la graisse de l'engrenage et de la bielle. Vous risqueriez d'endommager l'outil.
- Pour connaître les procédures spécifiques de retrait et d'installation des lames de cisailles, reportez-vous au dos de l'emballage des lames de cisailles fournies en accessoires. (Fig. 33)



Pour installer la lame de cisailles à gazon, préparez la bielle, le couvercle supérieur et la nouvelle lame de cisailles à gazon. (Fig. 34)



Retirez le couvercle de protection des anciennes lames de cisailles et installez-le sur les lames neuves afin de faciliter la manipulation lors du remplacement des lames. (Fig. 35)

Régalez la position des trois clous d'arrêt de sorte qu'ils soient alignés à angle droit par rapport au repère d'alignement de base sur le carter de l'outil. (Fig. 36) Installez la bielle en orientant sa partie encastrée vers le haut sur les clous d'arrêt. À ce stade, appliquez à la périphérie de la bielle un peu de graisse fournie en option avec les lames de cisailles ou située à l'intérieur du carter d'engrenage. (Fig. 37)

Faites en sorte que l'orifice ovale de la lame supérieure chevauche celui de la lame inférieure. Déplacez les lames de cisailles, de sorte que l'orifice situé dans la plaque de base des lames de cisailles se trouve au centre des orifices ovales qui se chevauchent. (Fig. 38)

Tournez les lames de cisailles à l'envers et installez-les de sorte que les clous d'arrêt situés sur l'outil s'insèrent dans l'orifice des lames de cisailles. Assurez-vous que les lames de cisailles sont installées de manière sécurisée jusqu'à ce qu'elles atteignent la plaque de base. (Fig. 39)

Placez le couvercle supérieur de sorte que le symbole  situé sur le couvercle supérieur soit aligné avec le symbole  sur le levier de verrouillage. (Fig. 40)

Appuyez sur le couvercle supérieur et maintenez-le enfoncé tout en tournant dans le sens horaire jusqu'à ce que le symbole  sur l'étiquette soit aligné avec le symbole  sur le levier de verrouillage (le couvercle supérieur est complètement verrouillé). (Fig. 41)

À ce stade, assurez-vous que le levier de verrouillage s'insère dans la rainure du couvercle supérieur. Déposez le couvercle de protection de la lame, puis mettez l'outil sous tension pour vérifier que le mouvement est correct.

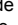

REMARQUE :

- Si les lames de cisailles ne fonctionnent pas correctement, le contact entre les lames et la bielle est mauvais. Recommencez l'opération depuis le début. (Fig. 42)

Retirez le châssis et placez l'outil à l'envers.

ATTENTION :

- Avant de placer l'outil à l'envers, n'oubliez pas de retirer le châssis. (Fig. 43)

Pour retirer la lame de cisailles, appuyez sur le levier de verrouillage et maintenez-le enfoncé tout en tournant le couvercle supérieur dans le sens antihoraire jusqu'à ce que le symbole  sur le couvercle supérieur soit aligné avec le symbole  sur le levier de verrouillage. (Fig. 44) Retirez le couvercle supérieur, la lame de cisailles et la bielle de l'outil dans cet ordre. (Fig. 45)

REMARQUE :

- En cas d'utilisation de la double articulation, la lame de cisailles pour haie que vous avez retirée doit être placée dans l'étui de rangement de la lame et entreposée pour être utilisée ultérieurement.

Installation ou retrait du châssis

ATTENTION :

- Avant d'installer ou de retirer le châssis, n'oubliez pas d'installer le couvercle de protection de la lame.
- Lors de l'installation ou du retrait du châssis, veillez à ce que vos doigts ne soient pas pincés entre l'outil et le châssis. (Fig. 46)

Pour retirer le châssis, retournez l'outil et retirez-le de la rainure en saisissant sa partie inférieure. (Fig. 47)

Pour installer le châssis, placez la saillie du châssis près du levier de changement dans l'orifice prévu pour le réglage de la hauteur du gazon coupé. Une fois le châssis installé, tirez sur la partie inférieure du châssis et installez l'autre partie du châssis dans la rainure de l'outil.

Réglage de la hauteur de coupe (Fig. 48)

Le levier de changement comporte trois réglages permettant de couper le gazon selon trois hauteurs différentes (10 mm, 15 mm, 25 mm).

Pour changer de réglage, inclinez le levier de changement pour la position du châssis, puis, tout en maintenant le levier de changement incliné, déplacez-le vers le haut ou vers le bas le long de la surface de l'outil jusqu'à ce que la saillie sur le châssis chevauche l'un des orifices de l'outil, puis relâchez-le.

FONCTIONNEMENT

ATTENTION :

- Éloignez vos mains des lames.

ATTENTION :

- Lubrifiez la lame à l'aide d'huile pour machines ou de produits similaires avant d'utiliser l'outil et toutes les heures pendant son fonctionnement.
- Évitez d'utiliser l'outil en plein soleil dans la mesure du possible. Lors de l'utilisation de l'outil, assurez-vous d'être en bonne condition physique. (Fig. 49)

Mettez l'outil sous tension après avoir réglé la hauteur de coupe et tenez-le de sorte que le socle de l'outil repose sur le sol. Ensuite, déplacez doucement l'outil vers l'avant dans la zone à couper. (Fig. 50)

Lorsque vous taillez l'herbe autour de courbes, de clôtures ou d'arbres, déplacez l'outil le long de ceux-ci.

Veillez à ce que la lame ne les touche pas. (Fig. 51)

Lorsque vous taillez les pousses ou le feuillage d'un petit arbre, retirez le châssis de l'outil et procédez à la coupe petit à petit.

Élaguez les grosses branches selon la hauteur souhaitée en utilisant un sécateur avant cet outil.

ATTENTION :

- Lors de la taille des rameaux et des feuilles, veillez à ne pas ébrancher de manière trop importante à la fois. Procédez doucement. De plus, ne tentez pas de couper des branches épaisses.
- Pendant l'opération, ne laissez pas les lames de cisailles entrer en contact avec le sol. Cela

émousserait les lames, qui ne seraient alors pas performantes.

- Ne taillez pas le gazon ou le feuillage humide des petits arbres.

Bruit ENG104-2

Les niveaux de bruit pondéré A typiques ont été mesurés selon la norme EN60745 :

Niveau de pression sonore (L_{pA}) : 73,7 dB (A)

Incertitude (K) : 2,5 dB (A)

Le niveau de bruit peut dépasser 80 dB (A) lors de l'utilisation.

Portez des protections auditives.

Vibrations ENG244-1

La valeur d'émission des vibrations a été mesurée selon la norme EN60745 :

Émission des vibrations (a_n) : 2,5 m/s² ou moins

Incertitude (K) : 1,5 m/s²

ENG901-1

- La valeur de l'émission des vibrations déclarée a été mesurée conformément à la méthode de test standard et peut être utilisée afin de comparer des outils entre eux.
- La valeur de l'émission des vibrations déclarée peut également être utilisée lors d'une évaluation préliminaire de l'exposition.

⚠ ATTENTION :

- Selon la manière dont l'outil est utilisé, il est possible que l'émission des vibrations pendant l'utilisation réelle de l'outil électrique diffère de la valeur de l'émission déclarée.
- Veillez à identifier les mesures de sécurité destinées à protéger l'opérateur et établies en fonction de l'estimation de l'exposition dans les conditions réelles d'utilisation (en prenant en compte toutes les étapes du cycle de fonctionnement, telles que les périodes de mise hors tension de l'outil, les périodes de fonctionnement au ralenti et les périodes de mise en route).

Pour les pays d'Europe uniquement ENH021-5

Déclaration de conformité CE

Nous, Makita Corporation, en tant que fabricant responsable, déclarons que les machines Makita suivantes :

Nom de la machine :

Taille-haie sans fil

N° de modèle/Type : UH200D

Spécifications : voir le tableau

« SPÉCIFICATIONS ».

sont fabriquées en série et

sont conformes aux directives européennes suivantes :

2000/14/CE, 2006/42/CE

et sont produites conformément aux normes ou documents de normalisation suivants :

EN60745

La documentation technique est disponible auprès de notre représentant en Europe qui est :

Makita International Europe Ltd.,

Michigan, Drive, Tongwell,

Milton Keynes, MK15 8JD, Angleterre

La procédure d'évaluation de la conformité requise par la directive 2000/14/CE est conforme à l'annexe V.

Niveau de puissance sonore mesurée : 81,8 dB

Niveau de puissance sonore garantie : 84 dB

27 août 2009



Tomoyasu Kato
Directeur

Makita Corporation
3-11-8, Sumiyoshi-cho,
Anjo, Aichi, JAPAN

DEUTSCH (Originalanweisungen)

Erklärung der Gesamtdarstellung

- | | | |
|--|--|--|
| 1. Akkublock | 15. Maschinenöl | 29. Loch in Grundplatte der Schneidmesser |
| 2. Taste | 16. Schneidmesserabdeckung | 30. Grundplatte |
| 3. Arretiertaste | 17. Abdeckung | 31. Gebogener Abschnitt der Grundplatte am Schneidmesser |
| 4. Schalter | 18. Verriegelungshebel | 32. Kerbe in der Abdeckung |
| 5. Anzeige | 19. Drücken | 33. Aufhängung |
| 6. Schneidrichtung | 20. Drehen | 34. Schneidmesser für Gras |
| 7. Neigung der Messer | 21. Schrauben | 35. Abdeckung für Schneidmesser für Gras |
| 8. Zu schneidende Heckenfläche | 22. Kurbelmechanismus | 36. Aufbewahrungshülle |
| 9. Schnur | 23. Schneidmesser | 37. Grundrahmen |
| 10. Befestigungsmuttern | 24. Ausrichtlinie am Gehäuse des Werkzeugs | 38. Rille |
| 11. Spanaufnehmer | 25. Stifte | 39. Hebel für Schnitthöhe |
| 12. Schrauben an den Schneidmessern | 26. Hier fetten | 40. Zapfen am Grundrahmen |
| 13. Vor dem Anbringen des Spanaufnehmers muss immer zuerst die Messerabdeckung angebracht werden | 27. Vertiefung im Kurbelmechanismus | |
| 14. Bürste | 28. Sich überlappende ovale Löcher | |

TECHNISCHE DATEN

Modell	UH200D
Schneidblattlänge	200 mm
Schläge pro Minute (min ⁻¹)	1.250
Gesamtlänge	460 mm
Nettogewicht	1,2 kg
Nennspannung	10,8 V Gleichspannung

- Aufgrund unserer andauernden Forschungen und Weiterentwicklungen sind Änderungen an den hier angegebenen Technischen Daten ohne Vorankündigung vorbehalten.
- Die Technischen Daten können in den einzelnen Ländern voneinander abweichen.
- Gewicht entsprechend EPTA-Verfahren 01/2003

Symbole

END011-3

Im Folgenden sind die im Zusammenhang mit diesem Werkzeug verwendeten Symbole dargestellt. Machen Sie sich vor der Benutzung des Werkzeugs unbedingt mit diesen Symbolen vertraut!



Cd
Ni-MH
Li-Ion

..... Nur für EU-Länder

Entsorgen Sie Elektrowerkzeuge, Batterien und Akkus nicht über den Hausmüll!

Gemäß Europäischer Richtlinie 2002/96/EG über Elektro- und Elektronik-Altgeräte, 2006/66/EG über Batterien und Akkumulatoren sowie Altbatterien und Altakkumulatoren und Umsetzung in nationales Recht müssen verbrauchte Elektrowerkzeuge, Altbatterien und Altakkumulatoren getrennt gesammelt und einer umweltgerechten Wiederverwertung zugeführt werden.



..... Besondere Aufmerksamkeit erforderlich!



..... Lesen Sie die vorliegende Betriebsanleitung.



..... Setzen Sie das Werkzeug nicht dem Regen aus.



..... Gefahr; achten Sie auf umherfliegende Gegenstände.



..... Halten Sie Umstehende fern.



..... Schneidwerkzeug läuft nach dem Ausschalten des Motors nach.

Verwendungszweck

ENE014-1

Das Werkzeug wurde für das Schneiden von Hecken entwickelt.

Allgemeine Sicherheitshinweise für Elektrowerkzeuge

GEA010-1

⚠️ WARNUNG Lesen Sie alle Sicherheitshinweise und Anweisungen sorgfältig durch. Wenn die Hinweise und Anweisungen nicht beachtet werden, besteht die

Gefahr eines Stromschlags, Brands und/oder das Risiko von ernsthaften Verletzungen.

Bewahren Sie alle Hinweise und Anweisungen zur späteren Referenz gut auf.

SICHERHEITSHINWEISE ZUR AKKU-HECKENSCHERE

GEB062-2

1. **Halten Sie das Werkzeug ausschließlich an den isolierten Griffflächen, da die Schneidmesser verborgene Kabel berühren können.** Bei Kontakt des Schneidmessers mit einem stromführenden Kabel wird der Strom an die Metallteile des Elektrowerkzeugs und dadurch an den Bediener weitergeleitet, und der Bediener erleidet einen Stromschlag.
2. **Halten Sie mit allen Körperteilen Abstand zum Schneidmesser. Entfernen Sie kein geschnittenes Material oder halten Sie kein zu schneidendes Material, wenn sich die Messer bewegen. Überprüfen Sie, dass der Schalter aus ist, wenn Sie verklemmtes Material entfernen.** Ein Moment der Unachtsamkeit kann beim Umgang mit der Heckenschere zu schweren Verletzungen führen.
3. **Tragen Sie die Heckenschere mit angehaltenem Schneidmesser am Griff. Transportieren und lagern Sie die Heckenschere immer mit aufgesetztem Schutz über dem Schneidmesser.** Durch einen sachgemäßen Umgang mit der Heckenschere können Sie mögliche Personenschäden durch die Schneidmesser vermindern.
4. Verwenden Sie die Heckenschere nicht, während es regnet, oder bei nassen oder sehr feuchten Bedingungen. Der Elektromotor ist nicht wasserdicht.
5. Erstmalige Anwender sollten sich von erfahrenen Anwendern die Verwendung der Heckenschere zeigen lassen.
6. Kinder und Jugendliche unter 18 Jahren dürfen die Heckenschere nicht bedienen. Jugendliche über 16 Jahren sind von diesem Verbot ausgenommen, wenn Sie zum Zwecke der Ausbildung unter Aufsicht eines Fachkundigen stehen.
7. Betreiben Sie die Heckenschere nur, wenn Sie in guter physischer Verfassung sind. Falls Sie müde sind, lässt Ihre Aufmerksamkeit nach. Seien Sie am Ende eines Arbeitstages besonders aufmerksam. Führen Sie alle Arbeiten ruhig und sorgfältig durch. Der Anwender ist für alle Schäden an Dritten verantwortlich.
8. Verwenden Sie die Heckenschere niemals unter Einfluss von Alkohol, Drogen oder Medikamenten.
9. Prüfen Sie, dass die Spannung und Frequenz der Stromversorgung den auf dem Typenschild angegebenen Technischen Daten entspricht. Wir empfehlen die Verwendung eines Fehlerstrom-Schutzschalters (FI-Schutzschalter) mit einem Auslösestrom von max. 30 mA oder eines Erdschlussstrom-Schutzes.
10. Arbeitshandschuhe aus festem Leder sind Teil der Grundausstattung der Heckenschere und müssen

stets bei Arbeiten mit der Heckenschere getragen werden. Tragen Sie außerdem feste Schuhe mit rutschfesten Sohlen.

11. Überprüfen Sie vor Beginn der Arbeiten, dass die Heckenschere ordnungsgemäß und sicher arbeitet. Stellen Sie sicher, dass die Sicherheitsabdeckungen ordnungsgemäße angebracht sind. Die Heckenschere darf nur vollständig montiert verwendet werden.
12. Achten Sie vor Beginn der Arbeiten darauf, dass Sie einen sicheren Stand haben.
13. Halten Sie das Werkzeug bei Verwendung sicher fest.
14. Lassen Sie das Werkzeug nicht unnötig ohne Last laufen.
15. Schalten Sie den Motor sofort aus und ziehen Sie den Akkublock ab, wenn die Schere mit einem Zaun oder einem anderen harten Gegenstand in Kontakt kam. Überprüfen Sie die Schere auf Beschädigungen, und reparieren Sie sie bei Bedarf.
16. Schalten Sie die Heckenschere stets aus und ziehen Sie den Akkublock ab, bevor Sie die Schere überprüfen. Fehler beheben oder in der Schere verklemmtes Material entfernen.
17. Schalten Sie die Schere aus und ziehen Sie den Akkublock ab, bevor Sie Wartungsarbeiten am Werkzeug ausführen.
18. Ziehen Sie stets den Akkublock, wenn Sie die Heckenschere an einen anderen Ort bewegen, auch während der Arbeiten. Tragen oder transportieren Sie die Heckenschere niemals mit laufendem Schneidmesser. Fassen Sie das Schneidmesser niemals mit den Händen an.
19. Reinigen Sie die Heckenschere und insbesondere das Schneidmesser nach der Verwendung und vor der Lagerung der Heckenschere über einen längeren Zeitraum. Ölen Sie das Schneidmesser leicht und bringen Sie die Abdeckung an. Die mit dem Werkzeug gelieferte Abdeckung kann an die Wand gehängt werden und bietet so eine sichere und praktische Möglichkeit zur Lagerung der Heckenschere.
20. Lagern Sie die Heckenschere mit angebrachter Abdeckung in einem trockenem Raum. Lagern Sie die Heckenschere außerhalb der Reichweite von Kindern. Lagern Sie die Heckenschere niemals im Freien.

BEWAHREN SIE DIESE ANLEITUNG SORGFÄLTIG AUF.



⚠️ WARNUNG:

Lassen Sie sich NIE durch Bequemlichkeit oder (aus fortwährendem Gebrauch gewonnener) Vertrautheit mit dem Werkzeug dazu verleiten, die Sicherheitsregeln für das Werkzeug zu missachten. Bei MISSBRÄUCLICHER Verwendung des Werkzeugs oder Missachtung der in diesem Handbuch enthaltenen Sicherheitshinweise kann es zu schweren Verletzungen kommen.

SICHERHEITSHINWEISE ZUR AKKU-HECKENSCHERE

GEB070-2



⚠️ WARNUNG! WICHTIG: LESEN SIE VOR DER BENUTZUNG alle Sicherheitshinweise und Anleitungen SORGFÄLTIG DURCH. Wenn die aufgeführten Warnhinweise und Anweisungen nicht

beachtet werden, besteht die Gefahr eines Stromschlags, Brands und/oder das Risiko schwerer Verletzungen.

Bewahren Sie alle Warnhinweise und Anweisungen zum späteren Nachschlagen gut auf.

Allgemeine Sicherheitshinweise

1. Zur Gewährleistung eines ordnungsgemäßen Betriebs muss der Benutzer diese Bedienungsanleitung aufmerksam durchlesen, um sich mit dem Umgang des Werkzeugs vertraut zu machen. Unzureichend informierte Benutzer gefährden sich selbst und andere aufgrund eines unsachgemäßen Umgangs.
2. Gestatten Sie niemals Personen, die nicht mit diesen Anleitungen vertraut sind sowie Personen (insbesondere Kindern) mit verminderten physischen, sensorischen oder mentalen Fähigkeiten oder fehlender Erfahrung und mangelndem Wissen die Verwendung dieses Werkzeugs. Örtliche Bestimmungen können das Mindestalter für den Bediener festlegen.
3. Verwenden Sie das Werkzeug mit äußerster Aufmerksamkeit und Achtung.
4. Betreiben Sie das Werkzeug nur, wenn Sie in guter physischer Verfassung sind. Führen Sie alle Arbeiten ruhig und sorgfältig durch. Setzen Sie Ihren gesunden Menschenverstand ein und beachten Sie, dass der Bediener für Unfälle mit oder Gefahren für andere Personen oder deren Eigentum verantwortlich ist.
5. Betreiben Sie diese Werkzeug niemals, wenn Personen, vor allem Kinder, oder Haustiere in der Nähe sind.
6. Betreiben Sie das Werkzeug nie nach dem Genuss von Alkohol oder nach der Einnahme von Medikamenten, oder wenn Sie müde oder krank sind.
7. Schalten Sie den Motor sofort aus, wenn am Werkzeug ein Problem oder ein Anzeichen eines anomalen Verhaltens auftritt!
8. Schalten Sie das Werkzeug aus und entfernen Sie den Akkublock, wenn Sie eine Pause machen und wenn Sie das Werkzeug unbeaufsichtigt lassen. Lagern Sie das Werkzeug an einem sicheren Ort, um Gefahren für andere oder eine Beschädigung des Werkzeugs abzuwenden.
9. Üben Sie keinen übermäßigen Druck auf das Werkzeug aus, so können Sie die Aufgaben besser und mit geringerem Verletzungsrisiko bei Auslegungsdrehzahl durchführen.
10. Lehnen Sie sich nicht zu weit vor. Achten Sie jederzeit auf sicheren Stand und sicheres Gleichgewicht.

Persönliche Schutzausrüstung

1. Tragen Sie geeignete Kleidung. Die Kleidung sollte funktional und geeignet sein, d.h. sie sollte eng anliegen, aber keine Behinderung verursachen. Das Tragen von Schmuck und Kleidung, die sich im Werkzeug verfangen können, ist nicht zulässig. Tragen Sie langes Haar unter einer geeigneten Kopfbedeckung.
2. Tragen Sie bei Nutzung des Werkzeugs immer Gehörschutz und festes Schuhwerk.

Sicherheit bezüglich Elektrizität und Akkus

1. Vermeiden Sie gefährliche Umgebungen. Verwenden Sie das Werkzeug nicht an feuchten Standorten und setzen Sie es keinem Regen aus. Wenn Wasser in ein Elektrowerkzeug eindringt, erhöht dies die Gefahr eines elektrischen Schlags.
2. Der Akku darf nur mit dem vom Hersteller angegebenen Ladegerät aufgeladen werden. Ein Ladegerät, das sich für den einen Akkutyp eignet, kann bei der Verwendung mit einem anderen Akku eine Brandgefahr darstellen.
3. Elektrowerkzeuge dürfen nur mit den speziell dafür vorgesehenen Akkus verwendet werden. Die Verwendung sonstiger Akkus kann eine Verletzungs- und Brandgefahr darstellen.
4. Kurzzeit nicht verwendete Akkus dürfen nicht in der Nähe von anderen metallischen Gegenständen wie Büroklammern, Münzen, Nägeln, Schrauben oder sonstigen metallischen Kleingegenständen aufbewahrt werden, da die Gefahr besteht, dass diese Gegenstände einen Kurzschluss verursachen. Ein Kurzschluss der Akkukontakte kann Verbrennungen verursachen oder eine Brandgefahr darstellen.
5. Bei falschem Gebrauch kann Flüssigkeit aus dem Akku austreten; vermeiden Sie in diesem Fall jeglichen Körperkontakt mit der Flüssigkeit. Wenn Sie versehentlich damit in Berührung geraten, waschen Sie die betroffene Stelle gründlich mit Wasser ab. Wenn die Flüssigkeit in das Auge gerät, müssen Sie darüber hinaus einen Arzt aufsuchen. Die aus dem Akku austretende Flüssigkeit kann Hautreizungen oder Verbrennungen verursachen.
6. Verbrennen Sie die Akkus nicht. Der Akku kann explodieren. Beachten Sie die örtlichen Vorschriften bezüglich Sondervorschriften zur Entsorgung.
7. Öffnen oder beschädigen Sie die Akkus nicht. Austretendes Elektrolyt ist ätzend und kann Verletzungen der Augen oder der Haut verursachen. Es kann giftig sein, wenn es geschluckt wird.

Starten des Werkzeugs

1. Stellen Sie sicher, dass sich keine anderen Personen, insbesondere Kinder, in unmittelbarer Nähe befinden und achten Sie auf Tiere im Arbeitsbereich. Stoppen Sie andernfalls den Betrieb des Werkzeugs.
2. Überprüfen Sie das Werkzeug vor jeder Verwendung auf Betriebssicherheit. Prüfen Sie die Sicherheit des Schneidwerkzeugs und des Schutzes sowie Schalter und Hebel auf Leichtgängigkeit und ordnungsgemäße Funktion. Stellen Sie sicher, dass die Griffe sauber und trocken sind und testen Sie die Funktionsweise des Start/Stoppschalters.
3. Überprüfen Sie das Werkzeug vor der Verwendung auf beschädigte Teile. Beschädigte Schutzvorrichtungen oder sonstige beschädigte Teile müssen sorgfältig überprüft werden, um sicherzustellen, dass diese Teile noch ordnungsgemäß funktionieren und ihren beabsichtigten Zweck erfüllen. Überprüfen Sie die Ausrichtung beweglicher Teile, deren Verbindung und ob Teile beschädigt sind. Vergewissern Sie sich darüber hinaus, dass die Montage korrekt ist und keine Umstände vorliegen, die den ordnungsgemäßen Betrieb stören könnten. Sofern in dieser Bedienungsanleitung nicht anders angegeben,

müssen beschädigte Schutzvorrichtungen und sonstige beschädigte Teile durch unser autorisiertes Fachpersonal ordnungsgemäß repariert oder ausgetauscht werden.

4. Schalten Sie den Motor nur ein, wenn Hände und Füße nicht in der Nähe des Schneidwerkzeugs sind.
5. Stellen Sie vor dem Einschalten sicher, dass das Werkzeug keine anderen Gegenstände berührt.

Handhabung

1. Verwenden Sie das Werkzeug nur bei guten Licht- und Sichtverhältnissen. Achten Sie im Winter auf rutschige oder nasse Bereiche, z.B. auf vereiste oder schneebedeckte Flächen (Rutschgefahr). Sorgen Sie immer für eine gute Standsicherheit.
2. Beachten Sie die Verletzungsgefahr für Füße und Hände durch das Schneidwerkzeug.
3. Betreiben Sie das Werkzeug niemals, wenn Sie auf einer Leiter stehen.
4. Klettern Sie niemals auf Bäume, um mit dem Werkzeug zu schneiden.
5. Arbeiten Sie niemals auf nicht stabilen Flächen.
6. Entfernen Sie Sand, Steine, Nägel usw. aus dem Arbeitsbereich. Fremdkörper können das Schneidwerkzeug beschädigen und so gefährliche Rückschläge verursachen.
7. Sollte das Schneidwerkzeug durch Steine oder andere harte Gegenstände getroffen werden, schalten Sie sofort den Motor aus und überprüfen Sie das Schneidwerkzeug.
8. Überprüfen Sie das Schneidwerkzeug in regelmäßigen, kurzen Intervallen. Prüfen Sie mit einem Klopfest auf Haarrisse.
9. Vergewissern Sie sich vor Beginn des Schnitts, dass das Schneidwerkzeug die volle Arbeitsdrehzahl erreicht hat.
10. Das Schneidwerkzeug muss immer mit dem entsprechenden Schutz versehen werden. Betreiben Sie das Werkzeug niemals mit beschädigtem oder ohne Schutz!
11. Alle mit dem Werkzeug gelieferten Schutzvorrichtungen und Abdeckungen müssen während des Betriebs verwendet werden.
12. Ziehen Sie in folgenden Fällen stets den Akkublock vom Werkzeug ab:
 - immer, wenn das Werkzeug unbeaufsichtigt ist;
 - bevor Sie eine Blockierung lösen;
 - vor dem Prüfen, Reinigen oder Arbeiten am Werkzeug;
 - nach dem Anschlagen an Fremdkörper;
 - immer, wenn das Gerät anormal zu vibrieren beginnt.
13. Achten Sie stets darauf, dass die Belüftungsöffnungen frei von Fremdkörpern sind.

Schneidwerkzeuge

1. Verwenden Sie für die anstehenden Arbeiten ausschließlich das entsprechende Schneidwerkzeug.

Wartungsanweisungen

1. Überprüfen Sie immer den Zustand des Werkzeugs, insbesondere der Schutzvorrichtungen, bevor Sie mit der Arbeit beginnen.
2. Schalten Sie den Motor aus und ziehen Sie den Akkublock ab, bevor Sie Wartungsarbeiten

durchführen, Schneidwerkzeuge ersetzen oder das Werkzeug oder das Schneidwerkzeug reinigen.

3. Prüfen Sie das Werkzeug auf lose Befestigungsteile und beschädigte Teile (z.B. Risse in der Befestigung des Schneidwerkzeugs).
4. Befolgen Sie die Anweisungen hinsichtlich Schmiermittel und Austauschzubehör.
5. Nicht genutzte Werkzeuge müssen an einem trockenen und hochgelegenen oder verschleißbaren Ort außerhalb der Reichweite von Kindern aufbewahrt werden. Reinigen und warten Sie das Werkzeug vor dem Einlagern.
6. Verwenden Sie ausschließlich vom Hersteller empfohlene Ersatz- und Zubehörteile.
7. Überprüfen und warten Sie das Werkzeug regelmäßig, vor allem vor und nach der Verwendung. Lassen Sie das Werkzeug ausschließlich von unserem autorisierten Servicecenter reparieren.
8. Achten Sie darauf, dass die Griffe trocken, sauber und frei von Öl und Schmiermittel sind.

BEWAHREN SIE DIESE ANLEITUNG ZUM SPÄTEREN NACHSCHLAGEN SORGFÄLTIG AUF

⚠️ WARNUNG:

Lassen Sie sich NIE durch Bequemlichkeit oder (aus fortwährendem Gebrauch gewonnener) Vertrautheit mit dem Werkzeug dazu verleiten, die Sicherheitsregeln für das Werkzeug zu missachten. Bei MISSBRÄUHLICHER Verwendung des Werkzeugs oder Missachtung der in diesem Handbuch enthaltenen Sicherheitshinweise kann es zu schweren Verletzungen kommen.

WICHTIGE SICHERHEITSREGELN

ENC007-4

FÜR AKKUBLOCK

1. **Lesen Sie vor der Verwendung des Akkublocks alle Anweisungen und Sicherheitshinweise für das Akkuladegerät (1), den Akku (2) und das Produkt (3), für das der Akku verwendet wird.**
2. **Der Akkublock darf nicht zerlegt werden.**
3. **Falls die Betriebsdauer erheblich kürzer wird, beenden Sie den Betrieb umgehend. Andernfalls besteht die Gefahr einer Überhitzung sowie das Risiko möglicher Verbrennungen und sogar einer Explosion.**
4. **Wenn Elektrolyt in Ihre Augen gerät, waschen Sie diese mit klarem Wasser aus, und suchen Sie sofort einen Arzt auf. Andernfalls können Sie Ihre Sehfähigkeit verlieren.**
5. **Vermeiden Sie einen Kurzschluss des Akkublocks:**
 - (1) **Die Kontakte dürfen nicht mit leitendem Material in Berührung kommen.**
 - (2) **Der Akkublock darf nicht in einem Behälter aufbewahrt werden, in dem sich andere metallische Gegenstände wie beispielsweise Nägel, Münzen usw. befinden.**

- (3) Der Akkublock darf weder Feuchtigkeit noch Regen ausgesetzt werden.
Ein Kurzschluss des Akkus kann zu hohem Kriechstrom, Überhitzung, möglichen Verbrennungen und sogar zu einer Zerstörung des Werkzeugs führen.
- Werkzeug und Akkublock dürfen nicht an Orten aufbewahrt werden, an denen eine Temperatur von 50°C oder höher erreicht werden kann.
 - Beschädigte oder verbrauchte Akkus dürfen nicht verbrannt werden. Der Akkublock kann in den Flammen explodieren.
 - Lassen Sie den Akku nicht fallen und vermeiden Sie Schläge gegen den Akku.
 - Verwenden Sie heruntergefallene Akkus oder Akkus, die Stößen ausgesetzt waren, nicht mehr.

BEWAHREN SIE DIESE ANLEITUNG SORGFÄLTIG AUF.

Tipps zum Erreichen einer maximalen Nutzungsdauer von Akkus

- Laden Sie den Akkublock auf, bevor der Akku vollständig entladen ist.
Beenden Sie stets den Betrieb des Werkzeugs und laden Sie den Akkublock auf, sobald Sie eine verringerte Werkzeugleistung bemerken.
- Ein voll aufgeladener Akkublock darf niemals erneut geladen werden. Durch Überladungen wird die Lebensdauer des Akkus verkürzt.
- Laden Sie den Akkublock bei einer Zimmertemperatur von 10°C - 40°C (50°F - 104°F) auf. Lassen Sie einen heißen Akkublock vor dem Aufladen abkühlen.

FUNKTIONSBESCHREIBUNG

⚠️ ACHTUNG:

- Schalten Sie das Werkzeug stets aus und entfernen Sie den Akkublock, bevor Sie Einstellungen oder eine Funktionsprüfung des Werkzeugs vornehmen.

Anzeige	Status	Auszuführende Maßnahme
Die Anzeige blinkt rot.	Dies bedeutet, dass der Akkublock nahezu entladen ist und ausgetauscht werden muss.	Laden Sie den Akkublock möglichst bald auf.
Die Anzeige leuchtet rot. (Hinweis 1)	Dies bedeutet, dass der Akkublock leer ist. Das Werkzeug schaltet sofort aus.	Laden Sie den Akkublock auf.
Die Anzeige leuchtet rot. (Hinweis 1)	Das Werkzeug hat sich wegen Überlastung automatisch ausgeschaltet.	Schalten Sie das Werkzeug aus.

Hinweis 1: Bei welchem Ladezustand die Anzeige aufleuchtet, ist von der Temperatur am Arbeitsort und vom Zustand des Akkublocks abhängig.

BETRIEB

Machen Sie sich vor der Nutzung mit den Sicherheitshinweisen vertraut.

⚠️ ACHTUNG:

- Achten Sie darauf, dass das Werkzeug während des Schneidens nicht versehentlich mit einem Metallzaun

Montage und Demontage des Akkublocks (Abb. 1)

- Schalten Sie das Werkzeug stets aus, bevor Sie den Akkublock einsetzen oder entfernen.
- Zum Entfernen des Akkublocks müssen Sie diesen aus dem Werkzeug herausziehen, während Sie die Tasten an beiden Seiten des Blocks drücken.
- Zum Einsetzen des Akkublocks setzen Sie den Akkublock mit der Vorderseite passgerecht auf die Öffnung des Akkufachs auf und schieben Sie den Akkublock in seine Position. Setzen Sie den Block immer ganz ein, bis er mit einem Klick einrastet. Andernfalls kann der Block versehentlich aus dem Werkzeug fallen und Sie oder Personen in Ihrem Umfeld verletzen.
- Wenden Sie beim Einsetzen des Akkublocks keine Gewalt an. Wenn der Block nicht leicht hineingleitet, wird er nicht richtig eingesetzt.

Bedienung des Schalters (Abb. 2)

⚠️ ACHTUNG:

- Achten Sie vor dem Einsetzen des Akkublocks in das Werkzeug darauf, dass sich der Ein/Aus-Schalter korrekt bedienen lässt und beim Loslassen in die Position „OFF“ (AUS) zurückkehrt.

Damit der Ein-Schalter nicht versehentlich betätigt wird, verfügt das Werkzeug über eine Arretiertaste. Um das Werkzeug zu starten, drücken Sie zuerst die Arretiertaste und betätigen Sie dann den Ein-/Aus-Schalter. Lassen Sie zum Ausschalten des Werkzeugs den Ein/Aus-Schalter los. Die Arretiertaste kann von der linken sowie von der rechten Seite aus gedrückt werden.

Anzeige (Abb. 3)

Bei eingeschaltetem Werkzeug zeigt die Anzeige den Ladezustand des Akkublocks an. Wenn das Werkzeug überlastet wurde und während des Betriebs ausgeschaltet hat, leuchtet die Anzeige rot. Die verschiedenen Anzeigen und die entsprechenden Vorgehensweisen finden Sie in der folgenden Tabelle:

- oder anderen harten Gegenständen in Berührung kommt. Das Schneidmesser kann brechen und schwere Verletzungen verursachen.
- Achten Sie auch darauf, dass das Schneidmesser nicht mit dem Boden in Berührung kommt.
- Ein weites Überlehnen mit einer Heckenschere, vor allem von einer Leiter aus, ist äußerst gefährlich.

Arbeiten Sie niemals von einem wackligen oder unsicheren Standort aus. **(Abb. 4)**

Schneiden Sie mit dieser Heckenschere keine Äste mit einer Dicke von mehr als 10 mm Durchmesser. Solche Äste sollten zuerst mit einer Schere auf das Niveau der Heckenschere geschnitten werden.

⚠️ ACHTUNG:

- Schneiden Sie keine toten Äste oder ähnliche harte Gegenstände ab. Andernfalls kann das Werkzeug beschädigt werden.
- Schneiden Sie mit den Heckenschere kein Gras oder Unkraut. Gras und Unkraut können Sie in den Messern verfangen. **(Abb. 5)**

Halten Sie das Werkzeug mit einer Hand, drücken Sie die Arretiertaste, drücken Sie die Einschalttaste und bewegen Sie das Werkzeug vor Ihrem Körper. **(Abb. 6)**

Neigen Sie die Schneidmesser in Richtung der Trimmrichtung und bewegen Sie die Heckenschere ruhig und langsam mit einer Geschwindigkeit von 3 bis 4 Sekunden pro Meter. **(Abb. 7)**

Zum geraden Schneiden einer Heckenoberkante können Sie eine Schnur in der gewünschten Heckenhöhe spannen und diese beim Schneiden als Referenzlinie verwenden. **(Abb. 8)**

Befestigen Sie beim Schneiden der Heckengerade den Spannaufnehmer (Zubehör) am Werkzeug, um ein Umherfliegen abgeschnittener Blätter zu vermeiden. **(Abb. 9)**

Zum gleichmäßigen Schneiden der Heckenseite schneiden Sie diese von unten nach oben. **(Abb. 10)**

Schneiden Sie Buchsbaum oder Rhododendron für ein hübsches Aussehen und einen guten Schnitt von unten beginnend zur Spitze.

Montage und Demontage des Spannaufnehmers (Zubehör)

⚠️ ACHTUNG:

- Schalten Sie das Werkzeug aus und ziehen Sie den Akkublock ab, bevor Sie den Spannaufnehmer an- oder abbauen.

HINWEIS:

- Tragen Sie beim An- und Abbaue der Spannaufnahme immer Arbeitshandschuhe, sodass Sie das Schneidmesser nicht direkt mit den Händen berühren. Andernfalls kann es zu Verletzungen kommen.
- Achten Sie beim An- und Abbauen des Spannaufnehmers darauf, dass Sie nicht mit dem Schneidmesser in Berührung kommen.
- Der Spannaufnehmer fängt die abgeschnittenen Blätter auf und erleichtert das Aufsammeln der abgefallenen Blätter. Die Befestigung kann an jeder Seite des Werkzeugs erfolgen. **(Abb. 11)**

Drücken Sie den Spannaufnehmer so auf die Schneidmesser, dass die Schlitze die Muttern auf den Schneidmessern überdecken.

Um den Spannaufnehmer abzunehmen, lösen Sie die zwei Klemmschrauben, nehmen Sie die zwei Schrauben heraus und nehmen Sie dann den Spannaufnehmer ab.

WARTUNG

⚠️ ACHTUNG:

- Schalten Sie das Werkzeug stets aus und ziehen Sie den Akkublock ab, bevor Sie Inspektionen oder Wartungsarbeiten am Werkzeug vornehmen.

Reinigen des Werkzeugs

Reinigen Sie das Werkzeug, indem Sie den Staub mit einem trockenen oder in Seifenlösung getunkten Lappen abwischen.

⚠️ ACHTUNG:

- Verwenden Sie zum Reinigen niemals Kraftstoffe, Benzin, Verdünner, Alkohol oder ähnliches. Dies kann zu Verfärbungen, Verformungen oder Rissen führen.

Pflege der Schneidmesser (Abb. 12)

Schmieren Sie das Messer vor dem Betrieb und nach jeder Betriebsstunde mit Maschinenöl oder ähnlichem. **(Abb. 13)**

Entfernen Sie nach dem Betrieb mit Hilfe einer Drahtbürste den Staub von beiden Seiten des Messers, wischen Sie den Staub mit einem Lappen ab und tragen Sie anschließend dünnflüssiges Öl, z.B. Maschinenöl o.ä. oder Sprühschmieröl auf.

⚠️ ACHTUNG:

- Waschen Sie die Blätter nicht mit Wasser ab. Andernfalls können die Messer rosten und das Werkzeug kann beschädigt werden.

An- und Abbauen der Heckenschneidmesser

⚠️ ACHTUNG:

- Schalten Sie das Werkzeug aus und ziehen Sie den Akkublock ab, bevor Sie die Schneidmesser an- oder abbauen.
- Tragen Sie beim Austauschen der Schneidmesser immer Schutzhandschuhe und nehmen Sie die Messerabdeckung nicht ab, damit Sie das Schneidmesser nicht direkt mit den Händen berühren können. Andernfalls kann es zu Verletzungen kommen.

HINWEIS:

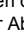
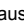
- Wischen Sie nicht das Schmierfett von Antrieb und Kurbelmechanismus ab. Andernfalls kann das Werkzeug beschädigt werden.
- Konkrete Anleitungen zum An- und Abbauen der Schneidmesser finden Sie auf der Rückseite der Verpackung der Schneidmesser.

Abbauen der Schneidmesser (Abb. 14)

⚠️ ACHTUNG:

- Setzen Sie vor dem An- oder Abbauen der Schneidmesser die Messerabdeckung auf.

Drehen Sie das Werkzeug um. **(Abb. 15)**

Um das Schneidmesser abzunehmen, drücken Sie auf den Verriegelungshebel, und drehen Sie bei gedrücktem Verriegelungshebel die Abdeckung gegen den Uhrzeigersinn, bis das Symbol  an der Abdeckung mit dem Symbol  am Verriegelungshebel ausgerichtet ist. **(Abb. 16)**

Nehmen Sie die untere Abdeckung vom Werkzeug ab. **(Abb. 17)**

Lösen Sie mit Hilfe einer Münze. o.ä. die zwei Schrauben und nehmen Sie die Schneidmesser ab.

HINWEIS:

- Nehmen Sie die Schrauben nicht heraus. Die Schneidmesser können abgenommen werden, wenn die Schrauben gelöst sind, ohne die Schrauben herausnehmen zu müssen. **(Abb. 18)**

Nehmen Sie den Kurbelmechanismus von den Schneidmessern.

HINWEIS:

- Der Kurbelmechanismus kann im Werkzeug verbleiben.

Anbauen der Schneidmesser **(Abb. 19)**

Bereiten Sie Kurbelmechanismus, Abdeckung und die neuen Schneidmesser vor. **(Abb. 20)**

Richten Sie die Position der drei Arretierstifte so aus, dass diese drei Stifte mit der Ausrichtlinie am Werkzeuggehäuse übereinstimmen. **(Abb. 21)**

Stecken Sie den Kurbelmechanismus mit der Vertiefung nach unten auf die Arretierstifte. Geben Sie jetzt etwas Schmierfett auf die Außenseite des Kurbelmechanismus.



Verwenden Sie das dem neuen Schneidmesser beiliegende Fett oder etwas Fett aus dem Antriebsgehäuse. **(Abb. 22)**

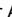

Bringen Sie das ovale Loch im oberen Messer mit dem im unteren Messer in Übereinstimmung. Positionieren Sie das Schneidmesser so, dass sich das Loch im Grundrahmen des Schneidmessers in der Mitte dieser sich überlappenden Löcher befindet. **(Abb. 23)**

Nehmen Sie die Messerabdeckung von den alten Schneidmessern ab und stecken Sie diese auf die neuen Messer auf, um eine einfachere Handhabung während des Austauschs der Messer zu ermöglichen. **(Abb. 24)**

Drehen Sie das Schneidmesser um und bringen Sie das Schneidmesser so an, dass der Stift am Werkzeug in das Loch im Schneidmesser greift. Passen Sie den gebogenen Teil der Grundplatte der Schneidmesser in die Kerbe im Gehäuse des Werkzeugs. Stellen Sie jetzt sicher, dass die Grundplatte der Schneidmesser ordnungsgemäß sitzt. **(Abb. 25)**

Schrauben Sie die zwei Schrauben mit Hilfe einer Münze o.ä. fest. **(Abb. 26)**

Bringen Sie die Abdeckung so an, dass das Symbol  an der Abdeckung mit dem Symbol  am Verriegelungshebel ausgerichtet ist. **(Abb. 27)**

Drücken Sie die Abdeckung nach unten, halten Sie die Abdeckung gedrückt und drehen Sie die Abdeckung im Uhrzeigersinn, bis das Symbol  an der Abdeckung mit dem Symbol  am Verriegelungshebel ausgerichtet ist (die Abdeckung ist vollständig verriegelt). **(Abb. 28)**

Achten Sie jetzt darauf, dass der Verriegelungshebel in der Kerbe der Abdeckung sitzt.

ACHTUNG:

- Verwenden Sie das Werkzeug niemals ohne diese untere Abdeckung.

Nehmen Sie die Messerabdeckung ab und schalten Sie das Werkzeug an, um die ordnungsgemäße Bewegung zu überprüfen.

HINWEIS:

- Wenn sich die Schneidmesser nicht ordnungsgemäß bewegen, sind Messer und Kurbelmechanismus nicht ordnungsgemäß eingepasst. Führen Sie den Vorgang erneut von Beginn an durch.

Aufbewahrung **(Abb. 29)**

Zum Aufhängen des Werkzeugs an einem Nagel oder einer Schraube in der Wand ist der Hakendurchbruch im unteren Bereich der Messerabdeckung praktisch.

Bringen Sie die Messerabdeckung auf den Schneidmessern an, damit die Messer nicht frei liegen. Bewahren Sie das Werkzeug außerhalb der Reichweite von Kindern auf.

Bewahren Sie das Werkzeug an einem Platz auf, an dem es weder Wasser noch Regen ausgesetzt ist.

Zur Gewährleistung der SICHERHEIT und ZUVERLÄSSIGKEIT des Produkts dürfen Reparaturen, Inspektion und Austausch der Kohlebürsten sowie alle anderen Wartungsarbeiten und Einstellungen nur in von Makita autorisierten Servicecentern ausgeführt werden. Dabei sind ausschließlich Makita-Ersatzteile zu verwenden.

ZUBEHÖR

ACHTUNG:

- Für das in diesem Handbuch beschriebene Makita-Werkzeug werden die folgenden Zubehör- und Zusatzteile empfohlen. Die Verwendung anderer Zubehör- und Zusatzteile kann zu Personenschäden führen. Verwenden Sie Zubehör- und Zusatzteile nur für den vorgesehenen Zweck.

Informationen zu diesem Zubehör erhalten Sie von Ihrem Makita-Servicecenter.

- Abdeckung für Schneidmesser für Hecken
- Schneidmesser für Hecken
- Spanaufnehmer für das Schneiden von Hecken
- Originalakku und Ladegerät von Makita

Für Akku-Grasschere **(Abb. 30)**

Bei Anbringen des Grasschneidmessers (Sonderzubehör) und des Doppelnutzungs-Wechselsets (Sonderzubehör) kann dieses Werkzeug als Grasschere genutzt werden.

Um dieses Werkzeug als Grasschere zu verwenden, müssen die Heckenschneidmesser durch die Grasschneidmesser ersetzt werden.

Eine Anleitung zum Abbauen der Heckenschneidmesser finden Sie in Abschnitt „Abbauen der Heckenschneidmesser“ weiter oben.

Eine Anleitung zum Anbauen der Grasschneidmesser finden Sie in Abschnitt „An- und Abbauen der Grasschneidmesser“ weiter unten.

- Grasschneidmesser (Für Grasschere)
- Doppelnutzungs-Wechselset, bestehend aus den folgenden drei Zubehörtteilen:
 - Abdeckung für Grasschneidmesser (Für Grasschere)
 - Aufbewahrung (für Bodenabschnitt der Messer)
 - Grundrahmen (für Grasschere)
 - Langstiel (für Grasschere)

MONTAGE

ACHTUNG:

- Schalten Sie das Werkzeug stets aus und entfernen Sie den Akkublock, bevor Sie Arbeiten am Werkzeug ausführen.

Anbringen und Abnehmen der Messerabdeckung (Abb. 31 und 32)

ACHTUNG:

- Achten Sie beim Anbringen und beim Abnehmen der Messerabdeckung darauf, dass Sie die Messer nicht berühren. Bei Berührung der Messer kann es zu Verletzungen kommen.

Schieben Sie die Messerabdeckung von der Seite des Werkzeugs aus auf, bis die Messer vollständig abgedeckt sind, und drücken Sie anschließend etwas von vorn in Richtung Werkzeug auf die Abdeckung.

Zum Abnehmen der Abdeckung führen Sie dieses Verfahren in umgekehrter Reihenfolge aus.

An- und Abbauen der Grasschneidmesser

ACHTUNG:

- Schalten Sie das Werkzeug aus und ziehen Sie den Akkublock ab, bevor Sie die Grasschneidmesser an- oder abbauen. Wenn Sie das Werkzeug nicht ausschalten und den Akkublock nicht abziehen, kann es bei einem versehentlichen Starten zu schweren Verletzungen kommen.
- Tragen Sie beim Austauschen der Schneidmesser immer Schutzhandschuhe und nehmen Sie die Messerabdeckung nicht ab, damit Sie das Schneidmesser nicht direkt mit den Händen berühren können. Anderenfalls kann es zu Verletzungen kommen.

HINWEIS:

- Wischen Sie nicht das Schmierfett von Antrieb und Kurbelmechanismus ab. Anderenfalls kann das Werkzeug beschädigt werden.
- Konkrete Anleitungen zum An- und Abbauen der Schneidmesser finden Sie auf der Rückseite der Verpackung der Schneidmesser. (Abb. 33)

Um das Grasschneidmesser einzusetzen, legen Sie das neue Schneidmesser, Kurbelmechanismus und Abdeckung bereit. (Abb. 34)

Nehmen Sie die Messerabdeckung von den alten Schneidmessern ab und stecken Sie diese auf die neuen Messer auf, um eine einfachere Handhabung während des Austauschs der Messer zu ermöglichen. (Abb. 35)

Richten Sie die drei Arretierstifte so aus, dass sie im rechten Winkel zur Ausrichtlinie am Gehäuse des Werkzeugs stehen. (Abb. 36)



Stecken Sie den Kurbelmechanismus mit der Vertiefung nach oben auf die Arretierstifte. Geben Sie jetzt etwas Schmierfett auf die Außenseite des Kurbelmechanismus. Verwenden Sie das dem neuen Schneidmesser beiliegende Fett oder etwas Fett aus dem



Antriebsgehäuse. (Abb. 37)

Bringen Sie das ovale Loch im oberen Messer mit dem im unteren Messer in Übereinstimmung. Positionieren Sie das Schneidmesser so, dass sich das Loch im

Grundrahmen des Schneidmessers in der Mitte dieser sich überlappenden Löcher befindet. (Abb. 38)

Drehen Sie das Schneidmesser um und bringen Sie das Schneidmesser so an, dass die Arretierstifte am Werkzeug in das Loch im Schneidmesser greifen. Stellen Sie sicher, dass das Schneidmesser sicher befestigt ist und bis zur Bodenplatte reicht. (Abb. 39)

Bringen Sie die Abdeckung so an, dass das Symbol  an der Abdeckung mit dem Symbol  am Verriegelungshebel ausgerichtet ist. (Abb. 40)

Drücken Sie die Abdeckung nach unten, halten Sie die Abdeckung gedrückt und drehen Sie die Abdeckung im Uhrzeigersinn, bis das Symbol  an der Abdeckung mit dem Symbol  am Verriegelungshebel ausgerichtet ist (die Abdeckung ist vollständig verriegelt). (Abb. 41)

Achten Sie jetzt darauf, dass der Verriegelungshebel in der Kerbe der Abdeckung sitzt.

Nehmen Sie die Messerabdeckung ab und schalten Sie das Werkzeug an, um die ordnungsgemäße Bewegung zu überprüfen.



HINWEIS:

- Wenn sich die Schneidmesser nicht ordnungsgemäß bewegen, sind Messer und Kurbelmechanismus nicht ordnungsgemäß eingepasst. Führen Sie den Vorgang erneut von Beginn an durch. (Abb. 42)

Nehmen Sie den Grundrahmen ab und drehen Sie das Werkzeug um.

ACHTUNG:

- Nehmen Sie unbedingt den Grundrahmen ab, bevor Sie das Werkzeug umdrehen. (Abb. 43)

Um das Schneidmesser abzunehmen, drücken Sie auf den Verriegelungshebel, und drehen Sie bei gedrücktem Verriegelungshebel die Abdeckung gegen den Uhrzeigersinn, bis das Symbol  an der Abdeckung mit dem Symbol  am Verriegelungshebel ausgerichtet ist. (Abb. 44)

Nehmen Sie die Abdeckung, das Schneidmesser und den Kurbelmechanismus in dieser Reihenfolge vom Werkzeug ab. (Abb. 45)

HINWEIS:

- Bei Doppelnutzung müssen die abgebauten Heckenschneidmesser zwecks Aufbewahrung für die spätere Nutzung in die Messeraufbewahrung gesteckt werden.

An- und Abbauen des Grundrahmens

ACHTUNG:

- Bringen Sie unbedingt die Messerabdeckung an, bevor Sie den Grundrahmen an- oder abbauen.
- Achten Sie beim An- oder Abbauen des Grundrahmens darauf, dass Sie Ihre Finger nicht zwischen Werkzeug und Grundrahmen einklemmen. (Abb. 46)

Um den Grundrahmen abzubauen, drehen Sie das Werkzeug um, erfassen Sie den Grundrahmen unten und ziehen Sie den Grundrahmen aus der Kerbe. (Abb. 47)

Um den Grundrahmen anzubringen, positionieren Sie den Zapfen des Grundrahmens in das Loch für die Einstellung der Grasschneidhöhe in der Nähe des Schnitt Höhenhebels. Ziehen Sie anschließend am unteren Teil des Grundrahmens und setzen Sie den anderen Teil des Grundrahmens in die Kerbe im Werkzeug ein.

Einstellen der Schneidhöhe (Abb. 48)

Die Schnitthöhe für Gras kann durch Ändern der Stellung des Schnitthöhenhebels in drei Stufen eingestellt werden (10 mm, 15 mm, 25 mm).

Um die Einstellung zu ändern, klappen Sie den Einstellhebel vom Grundrahmen ab und verschieben Sie den Schnitthöhenhebel in dieser Position nach oben bzw. unten, bis der Zapfen am Grundrahmen in eines der Löcher im Werkzeug passt, und lassen Sie den Hebel dann los.

BETRIEB

⚠️ **WARNUNG:**

- Halten Sie die Hände von den Schneidmessern fern.

⚠️ **ACHTUNG:**

- Schmieren Sie das Messer vor dem Betrieb und nach jeder Betriebsstunde mit Maschinenöl oder ähnlichem.
- Vermeiden Sie möglichst das Arbeiten mit diesem Werkzeug bei sengender Sonne. Arbeiten Sie mit diesem Werkzeug nur, wenn Sie in guter physischer Verfassung sind. (Abb. 49)

Schalten Sie das Werkzeug nach dem Einstellen der Schnitthöhe ein und halten Sie das Werkzeug so, dass das Werkzeug auf dem Boden ruht. Schieben Sie das Werkzeug anschließend vorwärts in die zu schneidende Fläche. (Abb. 50)

Wenn Sie um Bordsteine, Zäune oder Bäume herum mähen, führen Sie das Werkzeug entlang dieser Objekte. Achten Sie darauf, dass das Messer nicht mit derartigen Objekten in Berührung kommt. (Abb. 51)

Wenn Sie Heckentriebe oder dünne Zweige schneiden möchten, nehmen Sie den Grundrahmen vom Werkzeug ab und schneiden Sie immer nur wenige Triebe und Zweige.

Schneiden Sie dickere Äste mit Hilfe einer Heckenschere auf die gewünschte Höhe, bevor Sie mit diesem Werkzeug arbeiten.

⚠️ **ACHTUNG:**

- Achten Sie beim Schneiden von Heckentrieben und dünnen Zweigen darauf, dass Sie immer nur wenige Zweige schneiden. Gehen Sie langsam vor. Versuchen Sie außerdem nicht, zu dicke Äste zu schneiden.
- Achten Sie beim Schneiden darauf, dass die Schneidmesser nicht den Boden berühren. Dadurch werden die Messer stumpf und schneiden nicht mehr zufriedenstellend.
- Schneiden sich nicht nasses Gras und nasse Zweige.

Schall

ENG104-2

Typischer A-bewerteter Schallpegel nach EN60745:

Schalldruckpegel (L_{pA}): 73,7 dB (A)

Abweichung (K): 2,5 dB (A)

Unter Arbeitsbedingungen kann der Schallpegel 80 dB (A) überschreiten.

Tragen Sie Gehörschutz.

Schwingung

ENG244-1

Die Schwingungsbelastung wird gemäß EN60745 bestimmt:

Schwingungsbelastung (a_h): 2,5 m/s² oder weniger

Abweichung (K): 1,5 m/s²

- Der hier angegebene Wert für die erzeugten Schwingungen wurde gemäß dem genormten Testverfahren ermittelt und kann als Vergleich zu anderen Werkzeugen herangezogen werden.
- Der angegebene Wert für die erzeugten Schwingungen ist außerdem für eine vorbeugende Bewertung der Belastung zu verwenden.

⚠️ **WARNUNG:**

- Die Schwingungsbelastung kann bei tatsächlichem Gebrauch des Elektrowerkzeugs in Abhängigkeit von der Handhabung des Elektrowerkzeugs von dem hier aufgeführten Wert abweichen.
- Stellen Sie sicher, dass Schutzmaßnahmen für den Bediener getroffen werden, die auf den unter den tatsächlichen Arbeitsbedingungen zu erwartenden Belastungen beruhen (beziehen Sie alle Bestandteile des Arbeitsablaufs ein, also zusätzlich zu den Arbeitszeiten auch Zeiten, in denen das Werkzeug ausgeschaltet ist oder ohne Last läuft).

Nur für europäische Länder

ENH021-5

EG-Konformitätserklärung Wir, Makita Corporation als verantwortlicher

Hersteller, erklären, dass das/die folgenden Gerät/ Geräte der Marke Makita:

Bezeichnung des Geräts:

Akku-Heckenschere

Nummer / Typ des Modells: UH200D

Technische Daten: siehe Tabelle „TECHNISCHE DATEN“

in Serienfertigung hergestellt wird/werden und
**den folgenden Richtlinien der Europäischen Union
genügt/genügen:**

2000/14/EG, 2006/42/EG

Außerdem werden die Geräte gemäß den folgenden
Standards oder Normen gefertigt:

EN60745

Die technische Dokumentation erfolgt durch unseren
Bevollmächtigten in Europa:

Makita International Europe Ltd.,

Michigan, Drive, Tongwell,

Milton Keynes, MK15 8JD, England

Das Verfahren zur Konformitätsbewertung, vorgesehen in
2000/14/EG, erfolgte in Übereinstimmung mit Anhang V.

Gemessener Schalleistungspegel: 81,8 dB

Garantierter Schalleistungspegel: 84 dB

27. August 2009



Tomoyasu Kato
Direktor

Makita Corporation
3-11-8, Sumiyoshi-cho,
Anjo, Aichi, JAPAN

ITALIANO (Istruzioni originali)

Spiegazione della vista generale

- | | | |
|--|---|--|
| 1. Batteria | 15. Olio per macchine | 29. Foro nella piastra di base delle lame di taglio |
| 2. Pulsante | 16. Coprilama | 30. Piastra di base |
| 3. Sicura di accensione | 17. Copertura inferiore | 31. Parte piegata della piastra di base delle lame di taglio |
| 4. Leva di comando dell'interruttore | 18. Leva di bloccaggio | 32. Scanalatura nella copertura inferiore |
| 5. Spia luminosa | 19. Premere | 33. Foro per gancio |
| 6. Direzione di potatura | 20. Ruotare | 34. Lama tagliaerba |
| 7. Inclinare le lame | 21. Viti | 35. Copri lama tagliaerba |
| 8. Superficie della siepe da potare | 22. Collare | 36. Vano custodia |
| 9. Corda | 23. Lama di taglio | 37. Telaio di base |
| 10. Dadi di serraggio | 24. Linea di allineamento di base sul corpo dell'utensile | 38. Scanalatura |
| 11. Raccogliitore di frammenti | 25. Perni | 39. Leva di cambio |
| 12. Viti sulle lame di taglio | 26. Applicare il grasso. | 40. Sporgenza sul telaio di base |
| 13. Il coprilama deve sempre essere montato prima del raccogliitore di frammenti | 27. Parte rientrante del collare | |
| 14. Spazzola | 28. Fori ovali sovrapposti | |

CARATTERISTICHE TECNICHE

Modello	UH200D
Lunghezza lama	200 mm
Colpi al minuto (min ⁻¹)	1.250
Lunghezza totale	460 mm
Peso netto	1,2 kg
Tensione nominale	10,8 V CC


- Le caratteristiche tecniche riportate sono soggette a modifiche senza preavviso in virtù del nostro continuo programma di ricerca e sviluppo.
- Le caratteristiche tecniche possono differire da paese a paese.
- Peso calcolato in base alla procedura EPTA 01/2003


Simboli


END011-3


Di seguito sono riportati i simboli utilizzati per l'apparecchio. È importante comprenderne il significato prima dell'uso.

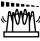
 Prestare particolare cura e attenzione.


 ... Leggere il manuale di istruzioni.

 Evitare l'esposizione alla pioggia.

 Pericolo; prestare attenzione agli oggetti scagliati.

 Mantenere a distanza gli osservatori.

 Il funzionamento dei componenti di taglio prosegue anche dopo lo spegnimento del motore.

 Cd
Ni-MH
Li-Ion Solo per i paesi UE
Non gettare le apparecchiature elettriche o le batterie tra i rifiuti domestici.
Secondo la Direttiva Europea 2002/96/

CE sui rifiuti di apparecchiature elettriche ed elettroniche e la Direttiva Europea 2006/66/CE sulle batterie e gli accumulatori e sui rifiuti di batterie e di accumulatori, e la sua attuazione in conformità alle norme nazionali, le apparecchiature elettriche e le batterie esauste devono essere raccolte separatamente, al fine di essere riciclate in modo eco-compatibile.


Uso previsto

ENE014-1

L'utensile è progettato per il taglio delle siepi.

Avvertenze generali di sicurezza per l'uso dell'utensile

GEA010-1

 **AVVERTENZA** Leggere attentamente tutte le avvertenze di sicurezza e le istruzioni. La mancata osservanza delle istruzioni e delle avvertenze riportate di seguito potrebbe provocare scosse elettriche, incendi e/o lesioni gravi.

Conservare le avvertenze e le istruzioni per riferimenti futuri.

AVVERTENZE DI SICUREZZA PER IL TAGLIASIEPI SENZA FILO

GEB062-2

- 1. Impugnare l'utensile esclusivamente dalle superfici di presa isolate, poiché la lama di taglio potrebbe venire a contatto con conduttori nascosti.** Se le lame di taglio entrano a contatto con un filo percorso da corrente, le parti metalliche esposte dell'utensile si troveranno anch'esse sotto tensione e potrebbero provocare scariche elettriche sull'operatore.
- 2. Mantenere il corpo lontano dalla lama di taglio. Non rimuovere il materiale tagliato e non sostenere il materiale da tagliare mentre le lame sono in movimento. Assicurarsi che l'interruttore sia nella posizione OFF prima di liberare il materiale incastrato.** Un momento di disattenzione durante l'uso del tagliasiepi può provocare gravi infortuni.
- 3. Trasportare il tagliasiepi sostenendolo dall'impugnatura quando la lama di taglio si è fermata. Quando si trasporta o si ripone il tagliasiepi, inserire sempre il coprilama.** La corretta manipolazione del tagliasiepi riduce la possibilità di gravi infortuni provocati dalle lame di taglio.
4. Non utilizzare il tagliasiepi sotto la pioggia o in condizioni di elevata umidità. Il motore elettrico non è impermeabile.
5. Gli utenti alle prime armi dovrebbero fare affidamento su una persona esperta per imparare a utilizzare il tagliasiepi.
6. L'uso del tagliasiepi non è consentito ai minori di 18 anni. Tale restrizione non si estende agli operatori con un'età superiore a 16 anni che hanno partecipato a un corso di formazione sotto la supervisione di un esperto.
7. Il tagliasiepi deve essere utilizzato solo da persone in buone condizioni fisiche. In caso di stanchezza, l'attenzione risulta ridotta. Prestare particolare attenzione al termine di una giornata di lavoro. Eseguire il lavoro con calma e attenzione. L'utilizzatore è responsabile per tutti i danni a terzi.
8. Non utilizzare l'utensile di taglio se si è sotto l'influenza di alcool, droghe o farmaci.
9. Assicurarsi che la tensione e la frequenza dell'alimentazione corrispondano alle specifiche riportate sulla targhetta di identificazione. Si consiglia l'uso di un interruttore differenziale (salvavita) con una corrente di intervento di 30 mA o inferiore o di un dispositivo di protezione per corrente con dispersione a terra.
10. Guanti di lavoro in cuoio robusto fanno parte dell'equipaggiamento di base del tagliasiepi e devono essere sempre indossati durante il lavoro. Indossare anche scarpe robuste con suola antiscivolo.
11. Prima di cominciare il lavoro, assicurarsi che l'utensile da taglio sia in condizioni buone e sicure. Verificare che le protezioni siano installate correttamente. Il tagliasiepi deve essere utilizzato solo se completamente montato.
12. Assicurarsi di avere una buona presa a terra prima di iniziare il lavoro.
13. Sorreggere saldamente l'utensile durante l'uso.
14. Non azionare inutilmente l'utensile a vuoto.
15. Spegnerlo immediatamente il motore e rimuovere la batteria se la lama di taglio dovesse entrare in contatto con una palizzata o un altro oggetto rigido. Verificare i danni alla lama e, se risulta danneggiata, ripararla immediatamente.
16. Spegnerlo l'utensile e rimuovere la batteria prima di controllare la lama di taglio, riparare i guasti o rimuovere il materiale incastrato.
17. Spegnerlo l'utensile da taglio e rimuovere la batteria prima di eseguire qualsiasi lavoro di manutenzione.
18. Rimuovere sempre la batteria prima di spostare il tagliasiepi in un altro luogo, anche durante l'uso. Non trasportare o spostare l'utensile da taglio mentre la lama è in funzione. Non afferrare la lama di taglio con le mani.
19. Pulire il tagliasiepi, in particolare la lama di taglio, sia dopo l'uso sia prima di riporre l'utensile da taglio per periodi prolungati. Oliare leggermente la lama di taglio e applicare la copertura. La copertura in dotazione con l'unità può essere appesa al muro, garantendo un metodo sicuro e pratico per riporre il tagliasiepi.
20. Riporre il tagliasiepi con la copertura installata in un luogo asciutto. Tenere fuori dalla portata dei bambini. Non riporre mai l'utensile da taglio all'aperto.

CONSERVARE QUESTE ISTRUZIONI.

⚠ AVVERTENZA:

NON lasciare che la familiarità acquisita con il prodotto (dovuta all'uso ripetuto) provochi l'inosservanza delle norme di sicurezza per il presente prodotto. L'USO IMPROPRIO o la mancata osservanza delle norme di sicurezza contenute in questo manuale di istruzioni possono provocare infortuni gravi.

AVVERTENZE DI SICUREZZA PER TAGLIAERBA A BATTERIA

GEB070-2

⚠ AVVERTENZA IMPORTANTE: LEGGERE CON ATTENZIONE tutte le avvertenze sulla sicurezza e tutte le istruzioni PRIMA DELL'USO.

La mancata osservanza delle istruzioni e delle avvertenze riportate di seguito potrebbe provocare scosse elettriche, incendi e/o lesioni gravi.

Conservare tutte le avvertenze e le istruzioni per farvi riferimento in futuro.

Istruzioni generali

1. Per garantire il corretto funzionamento, leggere il presente manuale di istruzioni per acquisire dimestichezza con l'apparecchio. Un'informazione non sufficiente unita a un utilizzo improprio può mettere in pericolo gli utilizzatori e le altre persone presenti.
2. Non permettere mai di utilizzare l'apparecchio a persone che non hanno dimestichezza con le presenti istruzioni, bambini, persone con disabilità fisiche, sensoriali o mentali, persone con esperienza e conoscenze insufficienti. Le normative locali possono fissare un'età minima per l'utilizzatore.

3. Utilizzare l'apparecchio con la massima cura e attenzione.
4. L'apparecchio deve essere impiegato solo da persone in buone condizioni fisiche. Eseguire il lavoro con calma e attenzione. Adoperare il buonsenso e tenere presente che l'operatore o l'utilizzatore è responsabile di eventuali incidenti o pericoli che possono riguardare altre persone o le loro proprietà.
5. Non utilizzare la macchina in presenza di persone, in particolare bambini, o animali nelle vicinanze.
6. Non utilizzare mai l'apparecchio dopo l'assunzione di alcol o droghe, oppure se ci si sente stanchi o indisposti.
7. Spegnerne immediatamente il motore se l'apparecchio presenta un qualsiasi problema o anomalia.
8. Spegnerne l'utensile e rimuovere la batteria durante le pause e quando si lascia l'utensile incustodito. Collocare l'utensile in un luogo sicuro per prevenire pericoli per altre persone e danni al prodotto stesso.
9. Non forzare l'apparecchio. Il lavoro viene svolto al meglio e con minori rischi di infortunio se si rispetta la velocità per la quale è stato progettato.
10. Non eccedere le proprie possibilità. Mantenere sempre l'equilibrio e un punto d'appoggio adeguati.

Dispositivi di protezione personale

1. Indossare un abbigliamento adeguato. L'abbigliamento indossato deve essere funzionale e appropriato, quindi deve essere aderente ma senza causare impedimenti. Non indossare gioielli o capi d'abbigliamento che potrebbero rimanere impigliati. Indossare una protezione per tenere raccolti i capelli lunghi.
2. Durante l'uso della macchina, indossare sempre un dispositivo di protezione per gli occhi e calzature resistenti.

Sicurezza elettrica e della batteria

1. Evitare gli ambienti pericolosi. Non utilizzare l'apparecchio in luoghi bagnati o umidi, oppure esposti alla pioggia. Eventuali infiltrazioni di acqua nell'apparecchio aumentano il rischio di scariche elettriche.
2. Effettuare la ricarica utilizzando solamente il caricabatterie specificato dal produttore. Un caricabatterie adatto per uno specifico tipo di batteria potrebbe provocare un pericolo di incendio se utilizzato con un'altra batteria.
3. Utilizzare gli utensili elettrici solo con le batterie specifiche. L'uso di tipi diversi di batterie può provocare un pericolo di infortuni e incendi.
4. Quando la batteria non è in uso, evitare di tenerla a contatto con oggetti metallici, quali graffette, monete, chiavi, chiodi, viti o altri piccoli oggetti metallici che possano stabilire un contatto tra un terminale e l'altro. Un cortocircuito dei terminali della batteria potrebbe causare ustioni o incendi.
5. In condizioni precarie, potrebbe fuoriuscire del liquido dalla batteria, con cui è opportuno evitare il contatto. In caso di contatto accidentale, sciacquare abbondantemente con acqua. Se il liquido entra a contatto con gli occhi, consultare un medico. Il liquido fuoriuscito dalla batteria può provocare irritazioni o ustioni.

6. Non smaltire le batterie nel fuoco. La pila potrebbe esplodere. Fare riferimento alle normative locali per eventuali istruzioni speciali di smaltimento.
7. Non aprire o rompere le batterie. La fuoriuscita di elettrolita corrosivo può provocare danni agli occhi e alla cute. Non ingerire: rischio di intossicazione.

Avvio dell'apparecchio

1. Assicurarsi che non vi siano bambini o altre persone nelle vicinanze; prestare attenzione anche alla presenza di animali. In caso contrario, interrompere l'utilizzo dell'apparecchio.
2. Prima dell'uso, controllare sempre che l'apparecchio non presenti fattori di rischio per la sicurezza. Controllare la sicurezza dell'utensile da taglio, della protezione e della leva di comando dell'interruttore, verificando che funzionino in modo agevole e corretto. Controllare che le impugnature siano pulite e asciutte, quindi verificare la funzionalità dell'avviamento e dell'arresto.
3. Controllare le parti danneggiate prima di continuare a utilizzare l'utensile. Sottoporre ad accurato controllo le protezioni o altri componenti danneggiati per stabilire se sono in grado di funzionare correttamente e per gli usi previsti. Verificare l'allineamento e il collegamento delle parti mobili, cercare eventuali componenti danneggiati, controllare il montaggio e verificare qualunque altra condizione che incide sul corretto funzionamento. Le protezioni o altre parti danneggiate devono essere riparate o sostituite da centri assistenza autorizzati, salvo diversa indicazione nel presente manuale.
4. Accendere il motore solo quando le mani e i piedi si trovano a debita distanza dall'utensile da taglio.
5. Prima dell'avviamento, assicurarsi che l'utensile da taglio non sia a contatto con altri oggetti.

Metodo di utilizzo

1. Utilizzare l'apparecchio solo in condizioni di buona illuminazione e visibilità. Durante la stagione invernale prestare attenzione alle zone umide o scivolose, alla neve e al ghiaccio (pericolo di scivolamento). Assicurarsi sempre di avere una buona presa a terra.
2. Prestare attenzione a non ferirsi piedi e mani con l'utensile da taglio.
3. Non utilizzare mai l'apparecchio mentre ci si trova su una scala.
4. Non arrampicarsi mai sugli alberi per eseguire operazioni di taglio con l'apparecchio.
5. Non lavorare mai su superfici instabili.
6. Rimuovere sabbia, pietre, chiodi, ecc. dall'area di lavoro. I corpi estranei possono danneggiare l'utensile da taglio e causare pericolosi contraccolpi.
7. Nel caso in cui l'utensile da taglio urti pietre o altri oggetti duri, spegnere immediatamente il motore e ispezionare l'utensile da taglio.
8. Controllare l'utensile da taglio frequentemente e con regolarità per verificare la presenza di danni (rilevare eventuali piccole fratture picchiando leggermente).
9. Prima di iniziare il taglio, l'utensile da taglio deve aver raggiunto la piena velocità operativa.
10. L'utensile da taglio deve essere dotato dell'apposita protezione. Non utilizzare mai l'apparecchio se le protezioni sono danneggiate o non sono in posizione.

11. Durante l'uso devono essere utilizzate tutte le installazioni di sicurezza e le protezioni fornite con l'apparecchio.
12. Rimuovere sempre la batteria dall'utensile:
 - quando si lascia incustodito l'utensile;
 - prima di rimuovere un'ostruzione;
 - prima di controllare, pulire o eseguire qualsiasi operazione sull'apparecchio;
 - dopo aver colpito un corpo estraneo;
 - se l'utensile inizia a vibrare in modo anomalo.
13. Assicurarci sempre che le prese d'aria siano libere da detriti.

Utensili da taglio

1. Utilizzare solamente l'utensile da taglio corretto per il lavoro in corso.

Istruzioni per la manutenzione

1. Verificare le condizioni dell'apparecchio, in particolare dell'utensile da taglio e dei dispositivi di protezione, prima di iniziare il lavoro.
2. Spegnerne il motore e rimuovere la batteria prima di eseguire lavori di manutenzione, sostituire gli utensili da taglio o pulire l'apparecchio o l'utensile da taglio.
3. Controllare che non vi siano dispositivi di fissaggio allentati o parti danneggiate, ad esempio crepe nell'accessorio di taglio.
4. Attenersi alle istruzioni per la lubrificazione e la sostituzione degli accessori.
5. Quando l'apparecchio non è in uso, conservarlo al coperto in un luogo asciutto, non raggiungibile o chiuso a chiave, comunque fuori dalla portata dei bambini. Provvedere alla pulizia e alla manutenzione prima di riporre l'apparecchio.
6. Utilizzare solamente parti e accessori di ricambio raccomandati dal produttore.
7. Ispezionare ed eseguire regolarmente la manutenzione dell'apparecchio, in particolare prima e dopo l'uso. Far riparare l'apparecchio solo presso un centro assistenza autorizzato.
8. Accertarsi che le maniglie siano asciutte, pulite e prive di olio e grasso.

CONSERVARE PER FARVI RIFERIMENTO IN FUTURO

AVVERTENZA:

NON lasciare che la familiarità acquisita con il prodotto (dovuta all'uso ripetuto) provochi l'inosservanza delle norme di sicurezza per il presente prodotto. L'USO IMPROPRIO o la mancata osservanza delle norme di sicurezza contenute in questo manuale di istruzioni possono provocare infortuni gravi.

ISTRUZIONI IMPORTANTI PER LA SICUREZZA

ENC007-4

PER LA BATTERIA

1. **Prima di utilizzare la batteria, leggere tutte le istruzioni e le avvertenze su (1) caricabatterie, (2) batteria e (3) prodotto alimentato a batteria.**
2. **Non smontare la batteria.**

3. **Se il tempo di funzionamento è diventato eccessivamente breve, interrompere immediatamente l'uso. Potrebbero verificarsi surriscaldamenti, ustioni o esplosioni.**
4. **In caso di contatto dell'elettrolita con gli occhi, risciacquare con acqua fresca e consultare immediatamente un medico. Potrebbero verificarsi danni permanenti alla vista.**
5. **Non cortocircuitare la batteria:**
 - (1) **Non toccare i terminali della batteria con materiale in grado di condurre elettricità.**
 - (2) **Evitare di conservare la batteria in un contenitore con altri oggetti metallici quali chiodi, monete e così via.**
 - (3) **Non esporre la batteria all'acqua o alla pioggia. Un cortocircuito può provocare un elevato flusso di corrente, surriscaldamento, ustioni o rotture.**
6. **Non conservare l'utensile e la batteria in ambienti in cui la temperatura può raggiungere o superare 50 °C.**
7. **Evitare di smaltire nel fuoco una batteria danneggiata o esaurita. Se esposta al fuoco, la batteria può esplodere.**
8. **Evitare di far cadere o di colpire la batteria.**
9. **Non utilizzare la batteria se è caduta o ha urtato contro altri oggetti.**

CONSERVARE QUESTE ISTRUZIONI.

Suggerimenti il prolungamento della durata della batteria

1. **Caricare la batteria prima che sia completamente scarica. Se si nota una diminuzione di potenza dell'utensile, interrompere il lavoro e caricare la batteria.**
2. **Non ricaricare una batteria già completamente carica. In caso contrario, la durata operativa della batteria potrebbe ridursi.**
3. **Caricare la batteria in ambienti con temperatura compresa tra 10 °C e 40 °C. Prima di caricare una batteria surriscaldata, lasciarla raffreddare.**

DESCRIZIONE FUNZIONALE

ATTENZIONE:

- Prima di regolare o controllare le funzioni dell'utensile, verificare sempre che sia spento e che la batteria sia stata rimossa.

Installazione o rimozione della batteria (Fig. 1)

- Prima di inserire o rimuovere la batteria, spegnere sempre l'utensile.
- Per rimuovere la batteria, estrarla dall'utensile premendo i pulsanti su entrambi i lati della batteria.
- Per inserire la batteria, tenerla in modo tale che la parte anteriore venga inserita nell'apertura di installazione della batteria e scivoli in posizione. Inserire sempre la batteria fino a quando si blocca in posizione con uno scatto. In caso contrario la batteria

può fuoriuscire accidentalmente dall'utensile e provocare infortuni all'operatore o a eventuali osservatori.

- Non applicare una forza eccessiva per inserire la batteria. Se la batteria non scorre agevolmente, la manovra di inserimento non è corretta.

Azionamento dell'interruttore (Fig. 2)

⚠ ATTENZIONE:

- Prima di inserire la batteria nell'utensile, controllare se l'interruttore funziona correttamente e ritorna alla posizione "SPENTO" una volta rilasciato.

La sicura di accensione previene l'azionamento involontario della leva di comando dell'interruttore.

Per avviare l'utensile, premere la sicura di accensione e tirare la leva di comando dell'interruttore. Per spegnere l'utensile, rilasciare la leva di comando dell'interruttore. La sicura di accensione può essere premuta sia sul lato sinistro sia sul lato destro.

Spia luminosa (Fig. 3)

Quando l'utensile è in funzione, la spia luminosa indica la capacità residua della batteria.

Se l'utensile ha rilevato un carico eccessivo e ha interrotto il lavoro, la spia si illumina in rosso.

Fare riferimento alla seguente tabella per informazioni sullo stato e sull'azione da eseguire in merito alla spia luminosa.

Spia luminosa	Stato	Intervento da eseguire
La spia lampeggia in rosso.	Indica che è il momento adatto per sostituire la batteria nel momento in cui la sua carica diventa limitata.	Ricaricare la batteria il più presto possibile.
La spia si illumina in rosso. (Nota 1)	Questa funzione si attiva quando la batteria è quasi scarica. In questa situazione l'utensile si spegne immediatamente.	Ricaricare la batteria.
La spia si illumina in rosso. (Nota 1)	Spegnimento automatico a seguito di sovraccarico.	Spegnere l'utensile.

Nota 1: Il momento di accensione della spia luminosa dipende dalla temperatura nell'area di lavoro e dalle condizioni della batteria.

USO

Consultare le istruzioni per la sicurezza prima dell'uso.

⚠ ATTENZIONE:

- Prestare attenzione a non entrare accidentalmente in contatto con una palizzata metallica o altri oggetti rigidi durante il taglio. La lama si romperebbe e potrebbero verificarsi gravi infortuni.
- Evitare inoltre che la lama entri in contatto con il terreno.
- Sporgersi con il taglia siepi, soprattutto da una scala, è estremamente pericoloso. Non lavorare in posizioni barcollanti o instabili. (Fig. 4)

Non tentare di tagliare rami con diametro superiore ai 10 mm utilizzando questo utensile da taglio. Dovrebbero essere tagliati prima con delle cesoie e portati al livello del taglio della siepe.

⚠ ATTENZIONE:

- Non tagliare alberi secchi o altri oggetti rigidi simili. In questo modo si potrebbe danneggiare l'utensile.
- Non tagliare l'erba o le erbacce durante l'uso delle lame di taglio per siepi. La lama di taglio potrebbe impigliarsi nell'erba o nelle erbacce. (Fig. 5)

Tenere l'utensile da taglio con una mano, premere la sicura di accensione e tirare la leva di comando dell'interruttore, quindi procedere mantenendo l'utensile davanti al proprio corpo. (Fig. 6)

Per l'uso più semplice, inclinare le lame in direzione del taglio e spostarsi lentamente, con calma, ad una velocità di circa 3-4 secondi per metro. (Fig. 7)

Per tagliare in modo uniforme la sommità di una siepe, può essere d'aiuto tirare uno spago all'altezza desiderata e utilizzarlo come linea di riferimento. (Fig. 8)

L'uso di un raccoglitore di residui (accessorio) durante il taglio può evitare che le foglie tagliate possano essere scagliate in giro. (Fig. 9)

Per tagliare in modo uniforme il lato di una siepe, può essere d'aiuto procedere dal basso verso l'alto. (Fig. 10) Per ottenere buoni risultati, il bosso e il rododendro devono essere tagliati dalla base verso l'alto.

Installazione o rimozione del raccoglitore di frammenti (accessorio)

⚠ ATTENZIONE:

- Prima di installare o rimuovere il raccoglitore di frammenti, verificare che l'utensile sia spento e che la batteria sia stata rimossa.

NOTA:

- Durante la sostituzione del raccoglitore di frammenti, indossare sempre i guanti in modo che le mani e il viso non entrino direttamente a contatto con la lama. In caso contrario si potrebbero verificare infortuni.
- Durante la sostituzione del raccoglitore di frammenti, prestare attenzione a non entrare in contatto con le lame di taglio.
- Il raccoglitore di frammenti raccoglie le foglie tagliate, impedendo che vengano disperse. Può essere installato su entrambi i lati dell'utensile. (Fig. 11) Posizionare il raccoglitore di frammenti sulle lame di taglio, in modo che le sue scanalature si sovrappongano alle viti sulle lame di taglio, quindi fissarlo utilizzando due dadi di serraggio.

Per rimuovere il raccoglitore di frammenti, allentare e rimuovere i due dadi di serraggio.

MANUTENZIONE

ATTENZIONE:

- Prima di effettuare ispezioni o lavori di manutenzione, verificare sempre che l'utensile sia spento e che la batteria sia stata rimossa.

Pulizia dell'utensile

Pulire l'utensile eliminando la polvere mediante un panno asciutto o immerso in acqua e sapone.

ATTENZIONE:

- Non utilizzare benzina, diluenti, alcool o sostanze simili. Potrebbero verificarsi scoloriture, deformazioni o incrinature.

Manutenzione delle lame di taglio (Fig. 12)

Oliare la lama prima dell'uso e dopo ogni ora di utilizzo con olio per macchine o simili. (Fig. 13)

Dopo l'uso, eliminare la polvere da entrambi i lati della lama con una spazzola metallica, pulire con un panno e quindi applicare olio a bassa viscosità, ad esempio olio per macchine o simili oppure olio lubrificante spray.

ATTENZIONE:

- Non lavare le lame con acqua. Questa operazione potrebbe causare la comparsa di ruggine o danni all'utensile.

Installazione o rimozione delle lame di taglio per siepi

ATTENZIONE:

- Prima di rimuovere o di installare le lame di taglio, verificare che l'utensile sia spento e che la batteria sia stata rimossa.
- Durante la sostituzione delle lame di taglio, indossare sempre i guanti e non rimuovere il coprilama, in modo che le mani e il viso non siano a contatto diretto con la lama. In caso contrario si potrebbero verificare infortuni.

NOTA:

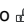

- Non eliminare il grasso dall'ingranaggio e dal collare. Diversamente si potrebbero causare danni all'utensile.
- Per informazioni specifiche sulla rimozione e sull'installazione delle lame di taglio, fare riferimento al retro della confezione delle lame di taglio sostitutive

Rimozione delle lame di taglio per siepi (Fig. 14)

ATTENZIONE:

- Installare il coprilama prima di rimuovere o di installare le lame di taglio.

Capovolgere l'utensile. (Fig. 15)

Per rimuovere le lame di taglio, premere la leva di bloccaggio e, mantenendola premuta, ruotare in senso antiorario la copertura inferiore fino a quando il simbolo  sulla copertura inferiore non è allineato con il simbolo  sulla leva di bloccaggio. (Fig. 16)

Estrarre la copertura inferiore dall'utensile. (Fig. 17)

Allentare due viti con una moneta o simili e rimuovere le lame di taglio.

NOTA:

- Non rimuovere le viti. Le lame di taglio possono essere rimosse senza rimuovere le viti allentate. (Fig. 18)

Rimuovere il collare dalle lame di taglio.

NOTA:

- Il collare può rimanere nell'utensile

Installazione delle lame di taglio per siepi (Fig. 19)

Preparare il collare, la copertura inferiore e nuove lame di taglio. (Fig. 20)

Regolare la posizione dei tre perni di fermo in modo che siano allineati rispetto alla linea di allineamento di base sul corpo dell'utensile. (Fig. 21)



Inserire il collare con la parte rientrante rivolta verso il basso rispetto ai perni di fermo. In questa fase, applicare una piccola quantità di grasso nella parte periferica del collare, utilizzando il grasso fornito come accessorio opzionale con le lame di taglio o il grasso rimanente all'interno del corpo dell'ingranaggio. (Fig. 22)

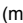

Sovrapporre il foro ovale della lama superiore con quello della lama inferiore. Spostare le lame di taglio in modo che il foro nella piastra di base delle lame di taglio sia posizionato al centro di questi fori ovali sovrapposti. (Fig. 23)

Rimuovere il coprilama dalle vecchie lame di taglio e inserirlo sulle nuove per facilitare la manipolazione durante la sostituzione. (Fig. 24)

Capovolgere le lame di taglio e installarle in modo che il perno sull'utensile penetri nel foro delle lame di taglio. Inserire la parte piegata della piastra di base delle lame di taglio nella scanalatura del corpo dell'utensile. Assicurarsi quindi che la piastra di base delle lame di taglio sia in posizione. (Fig. 25)

Serrare due viti con una moneta o simili. (Fig. 26)

Posizionare la copertura inferiore in modo che il simbolo  sulla copertura inferiore sia allineato al simbolo  sulla leva di bloccaggio. (Fig. 27)

Premere la copertura inferiore e ruotarla in senso orario (mantenendola premuta) fino a quando il simbolo  sull'etichetta è allineato con il simbolo  sulla leva di bloccaggio (la copertura inferiore è così completamente bloccata). (Fig. 28)

In questa fase, assicurarsi che la leva di bloccaggio sia inserita nella scanalatura della copertura inferiore.

ATTENZIONE:

- Non utilizzare l'utensile senza installare la copertura inferiore.

Rimuovere il coprilama e accendere l'utensile per controllare che funzioni correttamente.

NOTA:

- Se le lame di taglio non funzionano correttamente, significa che il collegamento tra le lame e il collare non è corretto. Ripetere la procedura dall'inizio.

Conservazione (Fig. 29)

Il foro per gancio nella parte inferiore dell'utensile è utile per appendere l'utensile a un chiodo o a una vite sulla parete.

Applicare il coprilama sulle lame di taglio, in modo che le lame non siano esposte. Riporre l'utensile lontano dalla portata dei bambini.

Riporre l'utensile in un luogo non esposto ad acqua e pioggia.

Per mantenere la SICUREZZA e l’AFFIDABILITÀ del prodotto, le riparazioni, il controllo della spazzola di carbone, le sostituzioni e qualsiasi altra operazione di manutenzione o regolazione devono essere eseguite da un centro di assistenza Makita autorizzato usando sempre ricambi Makita.

ACCESSORI

⚠ ATTENZIONE:

- Si consiglia l’uso dei seguenti accessori per l’utensile Makita descritto in questo manuale. L’uso di qualsiasi altro accessorio potrebbe provocare infortuni. Utilizzare gli accessori esclusivamente per l’uso dichiarato.

Per l’assistenza e per ulteriori informazioni su tali accessori, rivolgersi al centro assistenza Makita di zona.

- Copri lama di taglio per siepi
- Gruppo della lama di taglio per siepi
- Raccoglitore di residui per il taglio delle siepi
- Batteria e caricabatteria originali Makita

Per l’uso del tagliaerba a batteria (Fig. 30)

L’utensile può essere utilizzato come tagliaerba adoperando la lama tagliaerba (accessorio opzionale) e il set di modifica bidirezionale.

Per utilizzare l’utensile come tagliaerba, è necessario sostituire le lame tagliaerba con le lame tagliaerba.

Per rimuovere le lame tagliaerba, fare riferimento alla summenzionata sezione “Rimozione delle lame di taglio per siepi”.

Per installare la lama tagliaerba, fare riferimento alla successiva sezione “Installazione o rimozione delle lame tagliaerba”.

- Gruppo della lama tagliaerba (per tagliaerba)
- Il set di modifica bidirezionale è costituito dai seguenti tre accessori:
- Copri lama tagliaerba (per tagliaerba)
- Vano custodia (per la sezione inferiore della lama)
- Telaio di base (per tagliaerba)
- Prolunga impugnatura (per tagliaerba)

MONTAGGIO

⚠ ATTENZIONE:

- Prima di eseguire qualsiasi operazione sull’utensile, verificare che sia spento e che la batteria sia stata rimossa.

Installazione o rimozione del coprilama (Fig. 31 e 32)

⚠ ATTENZIONE:

- Evitare di toccare la lama di taglio durante l’installazione o la rimozione del coprilama. Un contatto con la lama di taglio potrebbe causare infortuni

Far scorrere il coprilama sul lato dell’utensile fino a quando la lama di taglio è completamente nascosta, quindi premerlo leggermente verso l’utensile dalla parte anteriore.

Per rimuovere il coprilama, attenersi alla suddetta procedura di installazione procedendo in senso inverso.

Installazione o rimozione delle lame tagliaerba

⚠ ATTENZIONE:

- Prima di installare o rimuovere le lame di taglio, verificare che l’utensile sia spento e che la batteria sia stata rimossa. Se l’utensile non è spento e privo di batteria potrebbero verificarsi gravi infortuni dovuti a un avviamento accidentale.
- Durante la sostituzione della lama di taglio, indossare sempre i guanti e non rimuovere il coprilama, in modo che le mani e il viso non siano a contatto diretto con la lama. In caso contrario si potrebbero verificare infortuni.

NOTA:

- Non eliminare il grasso dall’ingranaggio e dal collare. Diversamente si potrebbero causare danni all’utensile.
- Per informazioni specifiche sulla rimozione e sull’installazione delle lame di taglio, fare riferimento al retro della confezione delle lame di taglio sostitutive.

(Fig. 33)

Per installare la lama tagliaerba, preparare il collare, la copertura inferiore e una nuova lama tagliaerba. (Fig. 34)

Rimuovere il coprilama dalle vecchie lame di taglio e inserirlo sulle nuove per facilitare la manipolazione durante la sostituzione. (Fig. 35)


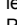
Regolare la posizione dei tre perni di fermo in modo che siano allineati ad angolo retto rispetto alla linea di allineamento di base sul corpo dell’utensile. (Fig. 36)

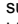
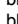
Inserire il collare con la parte rientrante rivolta verso l’alto rispetto ai perni di fermo. In questa fase, applicare una piccola quantità di grasso nella parte periferica del collare, utilizzando il grasso fornito come accessorio opzionale con le lame di taglio o il grasso rimanente all’interno del corpo dell’ingranaggio. (Fig. 37)

Sovrapporre il foro ovale della lama superiore con quello della lama inferiore. Spostare le lame di taglio in modo che il foro nella piastra di base delle lame di taglio sia posizionato al centro di questi fori ovali sovrapposti.

(Fig. 38)

Capovolgere le lame di taglio e installarle in modo che i perni di fermo sull’utensile penetrino nel foro delle lame di taglio. Assicurarsi che le lame di taglio siano fissate saldamente fino a raggiungere la piastra di base. (Fig. 39)

Posizionare la copertura inferiore in modo che il simbolo  sulla copertura inferiore sia allineato al simbolo  sulla leva di bloccaggio. (Fig. 40)

Premere la copertura inferiore e ruotarla in senso orario (mantenendola premuta) fino a quando il simbolo  sull’etichetta è allineato con il simbolo  sulla leva di bloccaggio (la copertura inferiore è così completamente bloccata). (Fig. 41)

In questa fase, assicurarsi che la leva di bloccaggio sia inserita nella scanalatura della copertura inferiore.

Rimuovere il coprilama e accendere l’utensile per controllare che funzioni correttamente.



NOTA:

- Se le lame di taglio non funzionano correttamente, significa che il collegamento tra le lame e il collare non è corretto. Ripetere la procedura dall’inizio. (Fig. 42)

Rimuovere il telaio di base e posizionare l’utensile capovolto.

ATTENZIONE:

- Prima di capovolgere l'utente, rimuovere il telaio di base. (Fig. 43)

Per rimuovere la lama di taglio, premere la leva di bloccaggio e, mantenendola premuta, ruotare in senso antiorario la copertura inferiore fino a quando il simbolo  sulla copertura inferiore non è allineato con il simbolo  sulla leva di bloccaggio. (Fig. 44)

Estrarre la copertura inferiore, la lama di taglio e il collare dall'utensile, attenendosi all'ordine indicato. (Fig. 45)

NOTA:

- Nell'uso bidirezionale, la lama tagliasiepi rimossa deve essere conservata nel vano custodia delle lame per l'uso futuro.

Installazione o rimozione del telaio di base

ATTENZIONE:

- Prima di installare o rimuovere il telaio di base, installare il coprilama.
- Durante l'installazione o la rimozione del telaio di base, prestare attenzione per evitare che le proprie dita restino incastrate tra l'utensile e il telaio di base. (Fig. 46)

Per rimuovere il telaio di base, capovolgere l'utensile ed estrarlo dalla scanalatura afferrandone la parte inferiore. (Fig. 47)

Per installare il telaio di base, posizionare la sporgenza del telaio di base in prossimità della leva di cambio e inserirla nel foro di impostazione dell'altezza di taglio dell'erba. Dopo aver montato il telaio di base, abbassare la parte inferiore del telaio stesso e inserire l'altra parte del telaio nella scanalatura dell'utensile.

Regolazione dell'altezza di taglio (Fig. 48)

La posizione della leva di cambio consente di modificare l'impostazione dell'altezza di taglio dell'erba scegliendo tra tre posizioni (10 mm, 15 mm, 25 mm).

Per cambiare l'impostazione, inclinare la leva di cambio dalla posizione del telaio di base e, mantenendola inclinata, spostarla in alto o in basso lungo la superficie dell'utensile fino a quando la sporgenza sul telaio di base entra in uno dei fori dell'utensile. A questo punto è possibile rilasciare la leva di cambio.

USO

AVVERTENZA:

- Tenere le mani lontano dalle lame.

ATTENZIONE:

- Oliare la lama prima dell'uso e dopo ogni ora di utilizzo con olio per macchine o simili.
- Evitare di utilizzare l'utensile sotto il calore rovente del sole, per quanto possibile. Durante l'uso dell'utensile, prestare attenzione alle proprie condizioni fisiche. (Fig. 49)

Accendere l'utensile dopo aver regolato l'altezza di taglio e tenerlo in modo che la parte inferiore dell'utensile resti a contatto con il terreno. A questo punto, spostare delicatamente l'utensile in avanti nell'area da tagliare. (Fig. 50)

Per eseguire il taglio in prossimità di marciapiedi, palizzate o alberi, spostare l'utensile in linea con tali

ostacoli. Evitare che la lama entri in contatto con essi. (Fig. 51)

Durante il taglio di germogli o del fogliame di un piccolo albero, rimuovere il telaio di base dall'utensile e procedere con il taglio di pochi elementi per volta. Recidere prima i rami grandi all'altezza desiderata utilizzando cesoie adeguate prima di utilizzare l'utensile.

ATTENZIONE:

- Durante il taglio di ramoscelli e fogliame, non tentare di tagliare troppi elementi per volta. Procedere con calma e attenzione. Evitare inoltre di tentare di tagliare i rami spessi.
- Non lasciare le lame di taglio a contatto con il terreno durante il lavoro. Le lame potrebbero sporcarsi, causando una riduzione delle prestazioni.
- Non tagliare l'erba bagnata o il fogliame di piccoli alberi.

Rumore

ENG104-2

Il tipico livello di rumore ponderato "A" è determinato in conformità con la norma EN60745:

Livello di pressione sonora (L_{pA}): 73,7 dB (A)

Variazione (K): 2,5 dB (A)

Il livello di rumore in fase di funzionamento può superare 80 dB (A).

Indossare una protezione acustica.

Vibrazione

ENG244-1

Il valore di emissione delle vibrazioni è determinato in conformità con la norma EN60745:

Emissione delle vibrazioni (a_h): 2,5 m/s² o inferiore

Variazione (K): 1,5 m/s²

ENG901-1

- Il valore di emissione delle vibrazioni dichiarato è stato misurato in conformità con il metodo di test standard e può essere utilizzato per confrontare tra loro diversi utensili.
- Il valore di emissione delle vibrazioni dichiarato può anche essere utilizzato per stime preliminari dell'esposizione.

AVVERTENZA:

- L'emissione delle vibrazioni durante l'uso effettivo dell'utensile elettrico può risultare diversa rispetto al valore dichiarato, in base alla modalità d'uso dell'utensile.
- Assicurarsi di individuare le necessarie misure di sicurezza per proteggere l'operatore in base a una stima dell'esposizione nelle condizioni reali di utilizzo (prendendo in considerazione tutte le fasi del ciclo operativo, ad esempio quante volte l'utensile viene spento, e i periodi in cui rimane inattivo, oltre al tempo di avviamento).

Solo per i paesi europei

ENH021-5

Dichiarazione di conformità CE

Makita Corporation, in qualità di produttore responsabile, dichiara che le macchine Makita indicate di seguito:

Denominazione della macchina:

Tagliasiepi a batteria

N. modello/Tipo: UH200D

Caratteristiche tecniche: vedere la tabella

"CARATTERISTICHE TECNICHE".

appartengono a una produzione in serie e

sono conformi alle seguenti direttive europee:

2000/14/CE, 2006/42/CE

Sono inoltre prodotti in conformità con gli standard o i documenti standardizzati riportati di seguito:

EN60745

La documentazione tecnica viene conservata dal rappresentante autorizzato in Europa, ovvero:

Makita International Europe, Ltd.,

Michigan, Drive, Tongwell,

Milton Keynes, MK15 8JD, Inghilterra

La procedura di valutazione della conformità richiesta dalla Direttiva 2000/14/CE è stata effettuata secondo quanto specificato nell'allegato V.

Livello di potenza sonora misurato: 81,8 dB

Livello di potenza sonora garantito: 84 dB

27 agosto 2009



Tomoyasu Kato
Direttore

Makita Corporation
3-11-8, Sumiyoshi-cho,
Anjo, Aichi, JAPAN

NEDERLANDS (Originele instructies)

Verklaring van het onderdelenoverzicht

- | | | |
|--|---|--|
| 1. Accu | 14. Borstel | 29. Gat in de grondplaat van de messenbladen |
| 2. Knop | 15. Machineolie | 30. Grondplaat |
| 3. Uit-vergrendelknop | 16. Schede | 31. Gebogen deel van de grondplaat van de messenbladen |
| 4. Aan/uit-schakelaar | 17. Onderdeksel | 32. Groef in het onderdeksel |
| 5. Bedrijfslampje | 18. Vergrendelknop | 33. Gat voor haak |
| 6. Snoeirichting | 19. Drukken | 34. Messenblad van de grasschaar |
| 7. Kantel de messenbladen | 20. Draaien | 35. Schede voor de messenbladen van de grasschaar |
| 8. Hegoppervlak dat u wilt snoeien | 21. Schroeven | 36. Opbergafdekking |
| 9. Touwtje | 22. Kruk | 37. Voetframe |
| 10. Klemmoeren | 23. Messenbladen | 38. Groef |
| 11. Snoeiafvalgeleider | 24. Basisuitlijningsmarkering op het gereedschapshuis | 39. Instelknop |
| 12. Bouten op de messenbladen | 25. Pennen | 40. Uitsteeksel op voetframe |
| 13. Schede van de messenbladen moet altijd zijn aangebracht voordat de snoeiafvalgeleider wordt gemonteerd | 26. Vet aanbrengen. | |
| | 27. Verzonken deel van de kruk | |
| | 28. Ovalen gaten die overlappen | |

TECHNISCHE GEGEVENS

Model	UH200D
Langte messenblad	200 mm
Aantal snijbewegingen per minuut (min ⁻¹)	1.250
Totale lengte	460 mm
Netto gewicht	1,2 kg
Nominale spanning	10,8 V gelijkstroom


- Als gevolg van ons doorlopende onderzoeks- en ontwikkelingsprogramma, zijn de technische gegevens van dit gereedschap onderhevig aan veranderingen zonder voorafgaande kennisgeving.
- De technische gegevens kunnen van land tot land verschillen.
- Gewicht volgens EPTA-procedure 01/2003


Symbolen


END011-3


Hieronder staan de symbolen die voor dit gereedschap worden gebruikt. Zorg ervoor dat u weet wat ze betekenen alvorens het gereedschap te gebruiken.

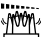
 Besteed bijzondere zorg en aandacht!

 ... Lees de gebruiksaanwijzing.

 Stel het gereedschap niet bloot aan regen.

 Gevaar: wees bedacht op weggeworpen voorwerpen.

 Houd omstanders uit de buurt.

 Het gereedschap blijft werken nadat de motor is uitgeschakeld.

 Cd Ni-MH Li-Ion Alleen voor EU-landen
Geef elektrisch gereedschap en accu's niet met het huisvuil mee!
Volgens de Europese richtlijn 2002/96/

EC inzake oude elektrische en elektronische apparaten, 2006/66/EC inzake batterijen en accu's en oude batterijen en accu's en de toepassing daarvan binnen de nationale wetgeving, dienen gebruikt elektrisch gereedschap en accu's gescheiden te worden ingezameld en te worden afgevoerd naar een recyclebedrijf dat voldoet aan de geldende milieu-eisen.


Gebruiksdoelstellingen

ENE014-1

Het gereedschap is bedoeld om heggen te snoeien.

Algemene veiligheidswaarschuwingen voor elektrisch gereedschap

GEA010-1

 **WAARSCHUWING** Lees alle veiligheidswaarschuwingen en alle instructies. Het niet volgen van de waarschuwingen en instructies kan leiden tot elektrische schokken, brand en/of ernstig letsel.

Bewaar alle waarschuwingen en instructies om in de toekomst te kunnen raadplegen.

VEILIGHEIDSWAARSCHUWINGEN SPECIFIEK VOOR EEN ACCUHEGGENSCHAAR

GEB062-2

1. **Houd het elektrisch gereedschap alleen vast bij het geïsoleerde oppervlak omdat de messenbladen met verborgen bedrading in aanraking kunnen komen.** Wanneer de messenbladen in aanraking komen met onder spanning staande draden, zullen de niet-geïsoleerde metalen delen van het gereedschap onder spanning komen te staan zodat de gebruiker een elektrische schok kan krijgen.
2. **Houd alle lichaamsdelen uit de buurt van de messenbladen. Verwijder geen snoeiafval en houd geen materiaal om te snoeien vast terwijl de messenbladen bewegen. Zorg ervoor dat de aan/uit-schakelaar in de uit-stand staat voordat u vastgeklemd materiaal vanaf de messenbladen verwijdert.** Een ogenblik van onoplettendheid kan tijdens het gebruik van de heggenschaar leiden tot ernstig persoonlijk letsel.
3. **Draag de heggenschaar aan het handvat met stilstaande messenbladen. Bij het transporteren of opbergen van de heggenschaar moet altijd de schede om de messenbladen worden gedaan.** Door op de juiste manier met de heggenschaar om te gaan, verkleint u de kans op mogelijk letsel door de messenbladen.
4. Gebruik de heggenschaar niet in de regen of onder natte of zeer vochtige omstandigheden. De elektromotor is niet waterdicht.
5. Onervaren gebruikers dienen door een ervaren gebruiker van heggenscharen te worden voorgedaan hoe de heggenschaar moet worden gebruikt.
6. De heggenschaar mag niet worden gebruikt door kinderen of jeugd jonger dan 18 jaar. Jongeren ouder dan 16 jaar kunnen uitgezonderd worden van deze regel mits zij les krijgen onder toezicht van een expert.
7. Gebruik de heggenschaar alleen als u in goede lichamelijke conditie bent. Als u vermoeid bent, kunt u zich minder goed concentreren. Wees met name voorzichtig aan het einde van de werkdag. Werk altijd rustig en voorzichtig. De gebruiker is aansprakelijk voor alle schade toegebracht aan derden.
8. Gebruik de heggenschaar nooit onder invloed van alcohol, drugs of medicijnen.
9. Controleer of de spanning en frequentie van de voeding overeenkomen met de specificaties vermeld op het typeplaatje. Wij adviseren u een op reststroom werkende stroomonderbreker (aardsluiting-stroomonderbreker) met een uitschakelstroomsterkte van 30 mA of minder, of een aardlek-stroombeveiliging te gebruiken.
10. Werkhandschoenen van stevig leer maken deel uit van de standaardwerkuitrusting van de heggenschaar en moeten tijdens het werken ermee altijd worden

gedragen. Draag tevens stevige schoenen met slipvaste zolen.

11. Alvorens met de werkzaamheden te beginnen, moet u controleren of de heggenschaar in goede en veilige staat verkeert. Controleer dat de beschermkappen stevig gemonteerd zijn. De heggenschaar mag niet worden gebruikt voordat deze geheel compleet en afgemonteerd is.
12. Zorg alvorens met de werkzaamheden te beginnen ervoor dat u stevig staat.
13. Houd tijdens het gebruik het gereedschap stevig vast.
14. Laat het gereedschap niet onnodig onbelast draaien.
15. Schakel het gereedschap onmiddellijk uit en verwijder de accu als de messenbladen van de heggenschaar in aanraking komen met een afrastering of ander hard voorwerp. Controleer de messenbladen op beschadigingen en repareer deze onmiddellijk.
16. Alvorens de messenbladen te controleren, storingen te verhelpen of vastgelopen materiaal te verwijderen, schakelt u de heggenschaar altijd uit en verwijdert u de accu.
17. Schakel de heggenschaar uit en verwijder de accu alvorens enige onderhoudswerkzaamheden uit te voeren.
18. Wanneer u de heggenschaar naar een andere plaats overbrengt, ook tijdens het werk, verwijdert u altijd eerst de accu. Draag of vervoer de heggenschaar nooit met ingeschakelde messenbladen. Pak de messenbladen nooit met uw handen beet.
19. Reinig de heggenschaar, en met name de messenbladen, na ieder gebruik en voordat de heggenschaar langdurig wordt opgeborgen. Smeer de messenbladen met een beetje olie en breng de schede aan. De schede die bij het gereedschap is geleverd kan aan een een muur worden gehangen zodat de heggenschaar praktisch en veilig opgeborgen kan worden.
20. Berg de heggenschaar op met aangebrachte schede in een droog vertrek. Houd het gereedschap buiten bereik van kinderen. Laat de heggenschaar nooit buiten liggen.

BEWAAR DEZE INSTRUCTIES

⚠ WAARSCHUWING:

Laat u NIET misleiden door een vals gevoel van comfort en bekendheid met het gereedschap (na veelvuldig gebruik) en neem alle veiligheidsvoorschriften van het betreffende product altijd strikt in acht. VERKEERD GEBRUIK of het niet volgen van de veiligheidsinstructies in deze gebruiksaanwijzing kan leiden tot ernstig persoonlijk letsel.

VEILIGHEIDSWAARSCHUWINGE N SPECIFIEK VOOR EEN ACCUGRASSCHAAR

GEB070-2

⚠ **WAARSCHUWING! BELANGRIJK LEES VÓÓR GEBRUIK alle veiligheidswaarschuwingen en alle instructies ZORGVULDIG DOOR.** Het niet volgen van de waarschuwingen en instructies kan leiden tot elektrische schokken, brand en/of ernstig letsel.

Bewaar alle waarschuwingen en instructies om in de toekomst te kunnen raadplegen.

Algemene instructies

1. Voor een correcte gebruik dient de gebruiker deze gebruiksaanwijzing te lezen om zichzelf bekend te maken met de juiste manier van omgaan met het gereedschap. Gebruikers die onvoldoende geïnformeerd zijn, lopen de kans zichzelf en anderen in gevaar te brengen als gevolg van onjuist omgaan met het gereedschap.
2. Laat in geen geval personen die deze gebruiksaanwijzing niet gelezen hebben, personen (waaronder kinderen) met een verminderd lichamenlijk, zintuiglijk of geestelijk vermogen, of gebrek aan kennis en ervaring voor het gebruik van dit gereedschap. De leeftijd van de gebruiker kan landelijk gereguleerd zijn.
3. Gebruik het gereedschap met de hoogst mogelijke zorg en aandacht.
4. Gebruik het gereedschap alleen als u in goede lichamenlijke conditie bent. Werk altijd rustig en voorzichtig. Gebruik uw gezond verstand en denk eraan dat de gebruiker van het gereedschap verantwoordelijk is voor ongelukken en gevaren die personen of hun eigendommen kunnen overkomen.
5. Bedien het gereedschap nooit in de buurt van andere personen, met name kinderen.
6. Gebruik het gereedschap nooit na het gebruik van alcohol of drugs, of wanneer u zich moe of ziek voelt.
7. In het geval het gereedschap enig probleem of abnormaal gedrag vertoont, moet de motor onmiddellijk worden uitgeschakeld.
8. Tijdens uitrusten en wanneer het gereedschap onbeheerd achtergelaten wordt, schakelt u het gereedschap uit en verwijdert u de accu, en legt u het gereedschap op een veilige plaats neer om gevaar voor anderen en beschadiging van het gereedschap te voorkomen.
9. Forceer het gereedschap niet. Het gereedschap werkt beter en met een kleinere kans op letsel op de manier waarvoor het is ontworpen.
10. Reik niet te ver. Zorg altijd voor een stevige stand en goede lichaamsbalans.

Persoonlijke-veiligheidsuitrusting

1. Draag geschikte kleding. De te dragen kleding dient functioneel en geschikt te zijn, d.w.z. nauwsluitend zonder te hinderen. Draag geen juwelen of kleding die verstrikt kunnen raken. Draag een haarbedekking om lang haar uit de weg te houden.
2. Draag tijdens het gebruik van het gereedschap altijd oogbescherming en stevige schoenen.

Elektrische veiligheid en accu

1. Vermijd gevaarlijke omgevingen. Gebruik het gereedschap niet op vochtige of natte plaatsen en stel het niet bloot aan regen. Als water binnendringt in het gereedschap, wordt de kans op een elektrische schok groter.
2. Laad alleen op met de acculader aanbevolen door de fabrikant. Een acculader die geschikt is voor een bepaald type accu, kan brandgevaar opleveren indien gebruikt met een ander type accu.

3. Gebruik elektrisch gereedschap uitsluitend met de daarvoor bestemde accu. Als u een andere accu erin gebruikt, kan dit leiden tot persoonlijk letsel of brand.
4. Als de accu niet wordt gebruikt, houdt u deze uit de buurt van metalen voorwerpen zoals paperclips, muntgeld, sleutels, schroeven en andere kleine metalen voorwerpen die een kortsluiting kunnen veroorzaken tussen de accupolen. Kortsluiting tussen de accupolen kan leiden tot brandwonden of brand.
5. Onder zware gebruiksomstandigheden kan vloeistof uit de accu komen. Voorkom aanraking! Als u deze vloeistof per ongeluk aanraakt, wast u deze goed af met water. Als de vloeistof in uw ogen komt, raadpleegt u tevens een arts. Vloeistof uit de accu kan irritatie en brandwonden veroorzaken.
6. Werp de accu niet in een vuur. De accu kan exploderen. Raadpleeg de lokale regelgeving voor mogelijke speciale verwerkingsvereisten.
7. Open of vervorm de accu niet. Het elektrolyt is agressief en kan letsel toebrengen aan de ogen en huid. Het kan giftig zijn bij inslikken.

Het gereedschap starten

1. Zorg ervoor dat geen kinderen of andere personen zich in de buurt bevinden, en let ook op of er geen dieren in de werkomgeving zijn. Als dat het geval is, stopt u met het gebruik van het gereedschap.
2. Controleer voor gebruik altijd of het gereedschap veilig is om te gebruiken. Controleer de veiligheid van het snijgarnituur en de beschermkap, en controleer of de aan/uit-schakelaar goed werkt en gemakkelijk kan worden bediend. Controleer of de handgrepen schoon en droog zijn en test de werking van de stopschakelaar.
3. Controleer op beschadigde onderdelen voordat u het gereedschap verder gebruikt. Een beschermkap of ander onderdeel dat beschadigd is, moet nauwkeurig worden onderzocht om te bepalen of het nog goed te gebruiken is en zijn oorspronkelijke taak kan uitvoeren. Controleer of bewegende delen goed uitgelijnd zijn en niet vastgelopen zijn, of onderdelen niet kapot zijn en stevig gemonteerd zijn, en enige andere situatie die van invloed kan zijn op de werking van het gereedschap. Een beschermkap of ander onderdeel dat beschadigd is, dient vakkundig te worden gerepareerd of vervangen door een erkend servicecentrum, behalve indien anders aangegeven in deze gebruiksaanwijzing.
4. Schakel de motor alleen in wanneer de handen en voeten uit de buurt van het snijgarnituur zijn.
5. Controleer vóór het starten of het snijgarnituur geen contact maakt met enig voorwerp.

Gebruiksmethode

1. Gebruik het gereedschap alleen bij goed licht en zicht. Wees in de winter bedacht op gladde of natte plaatsen, ijs en sneeuw (gevaar voor uitglijden). Zorg er altijd voor dat u stevig staat.
2. Wees voorzichtig uw handen en voeten niet te verwonden aan het snijgarnituur.
3. Sta nooit op een ladder met draaiend gereedschap.
4. Klim nooit in een boom om daar met het gereedschap te werken.
5. Werk nooit op onstabiele oppervlakken.

6. Verwijder zand, stenen, nagels, enz. die u binnen uw werkbereik vindt. Vreemde voorwerpen kunnen het snijgarnituur beschadigen en gevaarlijke terugslagen veroorzaken.
7. Als het snijgarnituur stenen of andere objecten raakt, moet u de motor onmiddellijk uitschakelen en het snijgarnituur controleren.
8. Controleer het snijgarnituur regelmatig op beschadiging (inspecteren op haarscheurtjes met de klopgeluidentest).
9. Voordat u begint te werken, moet het snijgarnituur op maximaal toerental draaien.
10. Het snijgarnituur moet zijn uitgerust met de bijbehorende beschermkap. Gebruik het gereedschap nooit met een beschadigde beschermkap of zonder aangebrachte beschermkap!
11. Alle beschermingsvoorzieningen en beschermkappen die bij het gereedschap werden geleverd, moeten tijdens gebruik zijn aangebracht.
12. Verwijder altijd de accu uit het gereedschap:
 - iedere keer als u het gereedschap onbeheerd achterlaat;
 - voordat u een blokkering verwijdert;
 - voordat u het gereedschap controleert, reinigt of er werkzaamheden aan gaat verrichten;
 - na het raken van een vreemd voorwerp;
 - als het gereedschap op ongebruikelijke manier begint te trillen.
13. Zorg ervoor dat de ventilatieopeningen altijd vrij zijn van vuil.

Snijgarnituren

1. Gebruik uitsluitend het juiste snijgarnituur voor de geplande werkzaamheden.

Onderhoudsinstructies

1. De toestand van het gereedschap, met name van het snijgarnituur en de veiligheidsuitrusting, moeten worden gecontroleerd voor aanvang van de werkzaamheden.
2. Schakel de motor uit en verwijder de accu voordat u onderhoudswerkzaamheden uitvoert, het snijgarnituur vervangt, of het gereedschap of de snijgarnituur schoonmaakt.
3. Controleer loszittende bevestigingen en beschadigde onderdelen, zoals scheuren in de snijhulpstukken.
4. Volg de instructies voor het smeren en verwisselen van accessoires.
5. Als een gereedschap niet wordt gebruikt, dient dit binnen te worden opgeborgen op een droge, hoge of afgesloten plaats, buiten het bereik van kinderen. Onderhoud het gereedschap en maak het schoon voordat u het opbergt.
6. Gebruik uitsluitend de door de fabrikant aanbevolen vervangingsonderdelen en accessoires.
7. Inspecteer en onderhoud het gereedschap regelmatig, met name vóór en na gebruik. Laat het gereedschap alleen repareren door een erkend servicecentrum.
8. Houd de handgrepen droog, schoon en vrij van olie en vetten.

BEWAAR VOOR LATERE NASLAG

⚠ WAARSCHUWING:

Laat u **NIET** misleiden door een vals gevoel van comfort en bekendheid met het gereedschap (na veelvuldig gebruik) en neem alle veiligheidsvoorschriften van het betreffende product altijd strikt in acht. **VERKEERD GEBRUIK** of het niet volgen van de veiligheidsinstructies in deze gebruiksaanwijzing kan leiden tot ernstig persoonlijk letsel.

BELANGRIJKE VEILIGHEIDSINSTRUCTIES ENC007-4

VOOR ACCU'S

1. Alvorens de accu in gebruik te nemen, leest u eerst alle instructies en waarschuwingsopchriften op (1) de acculader, (2) de accu en (3) het apparaat waarin de accu wordt aangebracht.
2. Haal de accu niet uit elkaar.
3. Als de gebruikstijd aanzienlijk korter is geworden, stopt u onmiddellijk met het gebruik. Anders kan dit leiden tot kans op oververhitting, mogelijke brandwonden en zelfs een explosie.
4. Als de elektrolyt in uw ogen komt, wast u deze uit met schoon water en raadpleegt u onmiddellijk een arts. Dit kan leiden tot verlies van gezichtsvermogen.
5. Sluit de accu niet kort:
 - (1) Raak de accupolen niet aan met enig geleidend materiaal.
 - (2) Bewaar de accu niet op een plaats waar deze in aanraking kan komen met andere metalen voorwerpen, zoals spijkers, munten, enz.
 - (3) Stel de accu niet bloot aan water of regen. Kortsluiting van de accu kan leiden tot een hoge stroomsterkte, oververhitting, mogelijke brandwonden en zelfs een defect.
6. Bewaar het gereedschap en de accu niet op plaatsen waar de temperatuur kan oplopen tot 50 °C of hoger.
7. Werp de accu niet in een vuur, zelfs niet als deze al ernstig beschadigd of helemaal versleten is. De accu kan in een vuur exploderen.
8. Wees voorzichtig dat u de accu niet laat vallen of ergens tegenaan stoot.
9. Gebruik een accu die is gevallen of gestoten niet meer.

BEWAAR DEZE INSTRUCTIES

Tips voor een lange levensduur van de accu

1. Laad de accu op voordat deze volledig leeg is. Wanneer u merkt dat het gereedschap minder vermogen heeft, stopt u met het gebruik ervan en laadt u eerst de accu op.
2. Laad nooit een volledig opgeladen accu op. Te lang opladen verkort de levensduur van de accu.

3. **Laad de accu op bij een omgevingstemperatuur van 10 °C tot 40 °C. Laat een warme accu eerst afkoelen voordat u deze oplaadt.**

BESCHRIJVING VAN DE FUNCTIES

⚠ LET OP:

- Zorg ervoor dat het gereedschap is uitgeschakeld en dat de accu is verwijderd voordat u de werking van het gereedschap aanpast of controleert.

De accu aanbrengen en verwijderen (zie afb. 1)

- Schakel het gereedschap altijd uit voordat u de accu aanbrengt of verwijderd.
- Om de accu te verwijderen, drukt u de knoppen aan beide zijanten van de accu in en trekt u tegelijkertijd de accu van het gereedschap af.
- Om de accu aan te brengen, houdt u de accu zodanig vast dat de vorm aan de voorkant van de accu past in de accuplaatsingsopening van het gereedschap, en schuift u de accu op zijn plaats. Steek de accu zo ver mogelijk in het gereedschap tot u een klikgeluid hoort. Als u dit niet doet, kan de accu per ongeluk uit het gereedschap vallen en u of anderen in uw omgeving verwonden.

Status van bedrijfslampje	Toestand van accu/gereedschap	Te nemen maatregelen
Het bedrijfslampje knippert rood.	Dit geeft het juiste tijdstip aan om de accu te vervangen wanneer de accu bijna leeg is.	Laad de accu zo spoedig mogelijk op.
Het bedrijfslampje brandt rood. (Opmerking 1)	Deze functie treedt in werking wanneer de acculading bijna opgebruikt is. Op dat moment stopt het gereedschap onmiddellijk.	Laad de accu op.
Het bedrijfslampje brandt rood. (Opmerking 1)	Het gereedschap stopt automatisch als gevolg van overbelasting.	Schakel het gereedschap uit.

Opmerking 1: Het moment waarop het bedrijfslampje gaat branden varieert met de temperatuur in het werkgebied en de toestand van de accu.

GEBRUIK

Raadpleeg vóór gebruik de Veiligheidswaarschuwingen.

⚠ LET OP:

- Wees voorzichtig niet per ongeluk een metaal afraastering of andere harde voorwerpen te raken tijdens het snoeien. De messenbladen zullen breken en kunnen ernstig letsel veroorzaken.
- Zorg ervoor dat de messenbladen tijdens gebruik de grond niet raken.
- Het is bijzonder gevaarlijk met de heggenschaar te ver te reiken, met name op een ladder. Werk niet vanuit een wankele of instabiele positie. (zie afb. 4)

Probeer geen takken dikker dan 10 mm diameter te snoeien met deze heggenschaar. Deze dienen eerst met een snoeischaar te worden teruggeknipt tot de juiste snoeihoogte.

- Oefen geen grote kracht uit bij het aanbrengen van de accu. Als de accu niet gemakkelijk in het gereedschap kan worden gestoken, wordt deze niet goed aangebracht.

In- en uitschakelen (zie afb. 2)

⚠ LET OP:

- Controleer altijd, voordat u de accu in het gereedschap steekt, of de aan/uit-schakelaar op de juiste manier schakelt en weer terugkeert naar de uit-stand nadat deze is losgelaten.

Om te voorkomen dat de aan/uit-schakelaar per ongeluk wordt bediend, is een uit-vergrendelknop aangebracht. Om het gereedschap te starten, drukt u de uit-vergrendelknop in en knijpt u de aan/uit-schakelaar in. Laat de aan/uit-schakelaar los om het gereedschap te stoppen. De uit-vergrendelknop kan vanaf zowel de linker- als de rechterkant worden ingedrukt.

Bedrijfslampje (zie afb. 3)

Tijdens gebruik van het gereedschap geeft het bedrijfslampje de toestand van de acculading aan. In het geval het gereedschap overbelast is en tijdens gebruik is gestopt, brandt het bedrijfslampje rood. Raadpleeg onderstaande tabel voor de toestand van de accu en het gereedschap, alsmede de te nemen maatregelen voor iedere status van het bedrijfslampje.

⚠ LET OP:

- Snoei niet in dode bomen of andere harde voorwerpen. Als u zich hier niet aan houdt, kan het gereedschap worden beschadigd.
- Snoei geen gras of onkruiden met de messenbladen van de heggenschaar. Het gras of de onkruiden kunnen verstrikt raken in de heggenschaar. (zie afb. 5)

Houd de heggenschaar met een hand vast, druk de uit-vergrendelknop in en knijp de aan/uit-schakelaar in, en houd de heggenschaar vervolgens vóór uw lichaam. (zie afb. 6)

Als standaardmethode houdt u de messenbladen gekanteld in de snoeirichting en beweegt u ze rustig en langzaam met een snelheid van 3 of 4 seconden per meter. (zie afb. 7)

Om de bovenkant van een heg gelijkmatig te snoeien, is het handig een touwtje op de gewenste hoogte te spannen en er langs te snoeien. (zie afb. 8)

Door een snoeiafvalgeleider (los verkrijgbaar) op het gereedschap aan te brengen bij het recht snoeien van

een heg, wordt voorkomen dat het snoeiafval wordt weggevoerd. (zie afb. 9)

Om de zijkant van een heg gelijkmatig te snoeien, is het handig van onder naar boven te snoeien. (zie afb. 10)
Snoei buxus en rododendron van onder naar boven voor een mooie, gladde afwerking.

De snoeiafvalgeleider (los verkrijgbaar) aanbrengen en verwijderen

⚠ LET OP:

- Zorg er altijd voor dat het gereedschap is uitgeschakeld en de accu is verwijderd, voordat u de snoeiafvalgeleider aanbrengt of verwijdert.

OPMERKING:

- Draag bij het aanbrengen of verwijderen van de snoeiafvalgeleider altijd handschoenen zodat uw handen en gezicht niet rechtstreeks in aanraking komen met de messenbladen. Als u dat niet doet, kan dit leiden tot persoonlijk letsel.
- Wees voorzichtig bij het vervangen van de snoeiafvalgeleider dat u de messenbladen niet raakt.
- De snoeiafvalgeleider vangt de gesnoeide blaadjes af en vergemakkelijkt het verzamelen van de vallende blaadjes. De snoeiafvalgeleider kan aan beide kanten van het gereedschap worden bevestigd. (zie afb. 11)

Plaats de snoeiafvalgeleider zodanig op de messenbladen dat de sleuven over de schroeven op de messenbladen vallen en zet hem vast met behulp van twee klemmoeren.

Om de snoeiafvalgeleider te verwijderen, draait u de twee klemmoeren los, verwijdert u deze en haalt u de snoeiafvalgeleider eraf.

ONDERHOUD

⚠ LET OP:

- Zorg er altijd voor dat het gereedschap is uitgeschakeld en de accu is verwijderd, voordat u een inspectie of onderhoud uitvoert.

Het gereedschap schoonmaken

Maak het gereedschap schoon door het stof eraf te vegen met een droge of met zeepwater bevochtigde doek.

⚠ LET OP:

- Gebruik nooit benzine, wasbenzine, thinner, alcohol, enz. Dit kan leiden tot verkleuren, vervormen of barsten.

Onderhoud van messenbladen (zie afb. 12)

Smeer de messenbladen voor aanvang van de werkzaamheden en na ieder bedrijfsuur met machineolie of gelijkwaardig. (zie afb. 13)

Verwijder na de werkzaamheden het vuil van beide zijden van de messenbladen met behulp van een staalborstel, veeg de messenbladen schoon met een doek, en breng voldoende olie met een lage viscositeit aan, zoals bijvoorbeeld machineolie, smeerolie uit een spuitbus, enz.

⚠ LET OP:

- Was de messenbladen niet met water. Als u dit toch doet, kunnen de messenbladen gaan roesten of het gereedschap worden beschadigd.

De messenbladen van de heggenschaar aanbrengen en verwijderen

⚠ LET OP:

- Zorg er altijd voor dat het gereedschap is uitgeschakeld en de accu is verwijderd, voordat u de messenbladen aanbrengt of verwijdert.
- Draag bij het aanbrengen of verwijderen van de messenbladen altijd handschoenen zonder de schede eraf te halen zodat uw handen en gezicht niet rechtstreeks in aanraking komen met de messenbladen. Als u dat niet doet, kan dit leiden tot persoonlijk letsel.

OPMERKING:

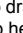

- Veeg het vet op het tandwiel en de kruk niet af. Als u dit toch doet, kan het gereedschap worden beschadigd.
- Voor de specifieke methode van het verwijderen en aanbrengen van messenbladen, leest u de achterkant van de verpakking van de los verkrijgbare messenbladen.

De messenbladen van de heggenschaar verwijderen (zie afb. 14)

⚠ LET OP:

- Breng de schede aan voordat u de messenbladen aanbrengt of verwijdert.

Draai het gereedschap ondersteboven. (zie afb. 15)

Om de messenbladen te verwijderen drukt u eerst op de vergrendelknop, en met ingedrukte vergrendelknop draait u het onderdeksel linksom totdat het symbool  op het onderdeksel is uitgelijnd met het symbool  op de vergrendelknop. (zie afb. 16)

Verwijder het onderdeksel vanaf het gereedschap. (zie afb. 17)

Draai de twee schroeven los met een muntstuk of soortgelijk voorwerp en verwijder de messenbladen.

OPMERKING:

- Haal de schroeven er niet helemaal uit. De messenbladen kunnen worden verwijderd met losgedraaide, maar niet helemaal verwijderde schroeven. (zie afb. 18)

Verwijder de kruk vanaf de messenbladen.

OPMERKING:

- De kruk kan in het gereedschap zijn achtergebleven.

De messenbladen van de heggenschaar aanbrengen (zie afb. 19)

Houd de kruk, het onderdeksel en de nieuwe messenbladen klaar. (zie afb. 20)

Plaats de drie arrêteerpennen zodanig dat ze een rechte lijn vormen met de basisuitlijningsmarkering op de behuizing van het gereedschap. (zie afb. 21)

Plaats de kruk met het verzonken deel omlaag gericht op de arrêteerpennen. Breng nu een kleine hoeveelheid smeervet aan op de omtrek van de kruk en gebruik daarvoor het smeervet dat bij de als accessoire aangeschafte messenbladen werd geleverd of het smeervet dat nog in het tandwielhuis aanwezig is. (zie afb. 22)

Leg het ovale gat in het bovenste messenblad over het gat in het onderste messenblad. Verschuif de messenbladen zodanig dat het gat in de grondplaat van

de messenbladen zich in het midden van de overlappende ovale gaten bevindt. **(zie afb. 23)**
Haal de schede van de oude messenbladen af en schuif het op de nieuwe messenbladen om veiliger te werken bij het vervangen van de messenbladen. **(zie afb. 24)**
Draai de messenbladen ondersteboven en breng ze zodanig in het gereedschap aan dat de pennen van het gereedschap passen in de gaten van de messenbladen. Pas het gebogen deel van de grondplaat van de messenbladen in de groef in de behuizing van het gereedschap. Controleer vervolgens of dat de grondplaat van de messenbladen goed op zijn plaats ligt. **(zie afb. 25)**

Draai de twee schroeven met een muntstuk of soortgelijk voorwerp stevig vast. **(zie afb. 26)**

Plaats het onderdeksel zodanig op het gereedschap dat het symbool Ⓐ op het onderdeksel is uitgelijnd met het symbool Δ op de vergrendelknop. **(zie afb. 27)**

Druk het onderdeksel omlaag en draai het tegelijkertijd rechtsom tot het symbool Ⓐ op de sticker is uitgelijnd met het symbool Δ op de vergrendelknop (het onderdeksel is nu volledig vergrendeld). **(zie afb. 28)**

Controleer nu of de vergrendelknop in de groef in het onderdeksel valt.

LET OP:

- Gebruik het gereedschap nooit zonder dat het onderdeksel is aangebracht.

Haal de schede van de messenbladen af en schakel daarna het gereedschap in om te controleren of het goed werkt.

OPMERKING:

- Als de messenbladen niet goed werken, zijn ze niet goed op de kruk bevestigd. Voer de procedure vanaf het begin opnieuw uit.

Bewaren (zie afb. 29)

Het gat in de onderkant van het gereedschap is handig om het gereedschap aan een spijker of schroef in de muur te hangen.

Schuif de schede over de messenbladen zodat deze niet bloot liggen. Bewaar het gereedschap buiten bereik van kinderen.

Bewaar het gereedschap op een plaats die niet is blootgesteld aan water of regen.

Om de VEILIGHEID en BETROUWBAARHEID van het gereedschap te handhaven, dienen alle reparaties, controle en vervanging van de koolborstels, onderhoud en afstellingen te worden uitgevoerd door een erkend Makita-servicecentrum, en altijd met gebruikmaking van originele Makita-vervangingsonderdelen.

ACCESSOIRES

LET OP:

- Deze accessoires of hulpstukken worden aanbevolen voor gebruik met het Makita-gereedschap dat in deze gebruiksaanwijzing wordt beschreven. Het gebruik van andere accessoires of hulpstukken kan gevaar voor persoonlijk letsel opleveren. Gebruik de accessoires of hulpstukken uitsluitend voor de aangegeven gebruiksdoeleinden.

Mocht u meer informatie willen hebben over deze accessoires, dan kunt u contact opnemen met uw plaatselijke Makita-servicecentrum.

- Schede voor de messenbladen van de heggenschaar
- Messenbladen van de heggenschaar
- Snoeiafvalgeleider voor heggen snoeien
- Originele Makita accu en lader

Gebruik als accuheggenschaar (zie afb. 30)

Dit gereedschap kan worden gebruikt als een grasschaar door de messenbladen voor een grasschaar (los verkrijgbaar) en een 2-weg wisselset te gebruiken.

Om dit gereedschap als een grasschaar te gebruiken, moet u de messenbladen van de heggenschaar vervangen door de messenbladen van de grasschaar.

Om van de messenbladen van de heggenschaar te verwijderen, raadpleegt u de bovenstaande tekst getiteld "De messenbladen van de heggenschaar verwijderen".

Om de messenbladen van de grasschaar aan te brengen, raadpleegt u de onderstaande tekst getiteld "De messenbladen van de grasschaar aanbrengen en verwijderen".

- Messenbladen van de grasschaar (voor de grasschaar)
- 2-weg wisselset bestaande uit de volgende drie accessoires
- Schede voor de messenbladen van de grasschaar (voor de grasschaar)
- Opbergafdekking (voor het bevestigingsuiteinde van de messenbladen)
- Voetframe (voor de grasschaar)
- Lang bevestigingshandvat (voor de grasschaar)

DE ONDERDELEN MONTEREN

LET OP:

- Controleer altijd of het gereedschap is uitgeschakeld en de accu is verwijderd alvorens enige werkzaamheden aan het gereedschap te verrichten.

De schede aanbrengen en verwijderen (zie afb. 31 en 32)

LET OP:

- Wees voorzichtig bij het aanbrengen en verwijderen van de schede dat u de messenbladen niet raakt. Als u de messenbladen raakt, kan dit leiden tot persoonlijk letsel.

Schuif de schede vanaf de zijkant van het gereedschap over de messenbladen tot deze volledig erdoor bedekt worden en duw hem daarna vanaf de voorkant in de richting van het gereedschap.

Om de schede te verwijderen, volgt u de afgebeelde procedure in omgekeerde volgorde.

De messenbladen van de grasschaar aanbrengen en verwijderen

LET OP:

- Zorg er altijd voor dat het gereedschap is uitgeschakeld en de accu is verwijderd, voordat u de messenbladen aanbrengt of verwijdert. Als het gereedschap niet wordt uitgeschakeld en de accu niet uit het gereedschap wordt verwijderd, kan dat na per

ongeluk inschakelen leiden tot ernstig persoonlijk letsel.

- Draag bij het aanbrengen of verwijderen van de messenbladen altijd handschoenen zonder de schede eraf te halen zodat uw handen en gezicht niet rechtstreeks in aanraking komen met de messenbladen. Als u dat niet doet, kan dit leiden tot persoonlijk letsel.

OPMERKING:

- Veeg het vet op het tandwiel en de kruk niet af. Als u dit toch doet, kan het gereedschap worden beschadigd.
- Voor de specifieke methode van het verwijderen en aanbrengen van messenbladen, leest u de achterkant van de verpakking van de los verkrijgbare messenbladen. **(zie afb. 33)**

Om de messenbladen van de grasschaar aan te brengen, houdt u de kruk, het onderdeksel en de nieuwe messenbladen van de grasschaar klaar. **(zie afb. 34)**



Haal de schede van de oude messenbladen af en schuif het op de nieuwe messenbladen om veiliger te werken bij het vervangen van de messenbladen. **(zie afb. 35)**



Plaats de drie arrêteerpennen zodanig dat ze een rechte lijn vormen die haaks staat op de basisuitlijningsmarkering op de behuizing van het gereedschap. **(zie afb. 36)**

Plaats de kruk met het verzonken deel omhoog gericht op de arrêteerpennen. Breng nu een kleine hoeveelheid smeervet aan op de omtrek van de kruk en gebruik daarvoor het smeervet dat bij de als accessoire aangeschafte messenbladen werd geleverd of het smeervet dat nog in het tandwielhuis aanwezig is. **(zie afb. 37)**

Leg het ovale gat in het bovenste messenblad over het gat in het onderste messenblad. Verschuif de messenbladen zodanig dat het gat in de grondplaat van de messenbladen zich in het midden van de overlappende ovale gaten bevindt. **(zie afb. 38)**

Draai de messenbladen ondersteboven en breng ze zodanig in het gereedschap aan dat de arrêteerpennen van het gereedschap passen in de gaten van de messenbladen. Zorg ervoor dat de messenbladen stevig op hun plaats liggen, zo ver mogelijk op de grondplaat. **(zie afb. 39)**

Plaats het onderdeksel zodanig op het gereedschap dat het symbool  op het onderdeksel is uitgelijnd met het symbool  op de vergrendelknop. **(zie afb. 40)**

Druk het onderdeksel omlaag en draai het tegelijkertijd rechtsom tot het symbool  op de sticker is uitgelijnd met het symbool  op de vergrendelknop (het onderdeksel is nu volledig vergrendeld). **(zie afb. 41)**

Controleer nu of de vergrendelknop in de groef in het onderdeksel valt.

Haal de schede van de messenbladen af en schakel daarna het gereedschap in om te controleren of het goed werkt.



OPMERKING:

- Als de messenbladen niet goed werken, zijn ze niet goed op de kruk bevestigd. Voer de procedure vanaf het begin opnieuw uit. **(zie afb. 42)**

Verwijder het voetframe en leg het gereedschap ondersteboven.

LET OP:

- Vergeet niet het voetframe te verwijderen voordat u het gereedschap ondersteboven legt. **(zie afb. 43)**

Om de messenbladen te verwijderen drukt u eerst op de vergrendelknop, en met ingedrukte vergrendelknop draait u het onderdeksel linksom totdat het symbool  op het onderdeksel is uitgelijnd met het symbool  op de vergrendelknop. **(zie afb. 44)**

Haal het onderdeksel, de messenbladen en de kruk in die volgorde uit het gereedschap. **(zie afb. 45)**

OPMERKING:

- Wanneer het gereedschap wordt gebruikt als grasschaar, brengt u de opbergafdekking aan op de messenbladen van de heggenschaar zodat u deze veilig kunt opbergen voor later gebruik.

Het voetframe aanbrengen en verwijderen

LET OP:

- Breng eerst de schede aan voordat u het voetframe aanbrengt of verwijdert.
- Bij het aanbrengen en verwijderen van het voetframe, let u erop dat uw vingers niet bekneld raken tussen het gereedschap en het voetframe. **(zie afb. 46)**

Om het voetframe te verwijderen, houdt u het gereedschap ondersteboven, pakt u het voetframe aan de achterkant vast en haalt u hem uit de groef in het gereedschap. **(zie afb. 47)**

Om het voetframe aan te brengen, past u het uitsteeksel op het voetframe vlakbij de instelknop in het gat van de snijhoogte-instelling. Terwijl het voetframe op deze manier is aangebracht, trekt u aan de achterkant van het voetframe en past u iedere zijkant van het voetframe in de groef in het gereedschap.

De snijhoogte instellen (zie afb. 48)

Door de stand te veranderen waarin de instelknop is vastgezet, kan de snijhoogte van het gras worden ingesteld in drie stappen (10 mm, 15 mm en 25 mm).

Om de instelling te veranderen, kantelt u de instelknop voor de stand van het voetframe en terwijl de instelknop gekanteld is, beweegt u deze omhoog of omlaag langs het buitenoppervlak van het gereedschap totdat het uitsteeksel op het voetframe in één van de gaten in het gereedschap past, en laat u de instelknop weer los.

GEBRUIK

WAARSCHUWING:

- Houd uw handen uit de buurt van de messenbladen.

LET OP:

- Smeer de messenbladen voor aanvang van de werkzaamheden en na ieder bedrijfsuur met machineolie of gelijkwaardig.
- Vermijd, voor zover dat praktisch is, het gebruik van het gereedschap onder brandende zonnewarmte. Let tijdens gebruik van het gereedschap op uw fysieke toestand. **(zie afb. 49)**

Schakel het gereedschap in nadat de snijhoogte is ingesteld en houdt het zodanig vast dat het voetframe op de grond rust. Beweeg het gereedschap vervolgens rustig naar voren in het gebied dat moet worden geknipt.

(zie afb. 50)

Bij het snijden van gras naast betonranden, afrasteringspaaltjes of bomen beweegt u het gereedschap voorzichtig er omheen. Wees voorzichtig dat de messenbladen er niet tegenaan komen.

(zie afb. 51)

Bij het afsnijden van sprietten of dunne takjes van kleine bomen, verwijdert u het voetframe van het gereedschap en snijdt u met korte bewegingen.

Snijdt grotere takken van tevoren met behulp van een snoeischaar op de gewenste lengte af voordat u dit gereedschap gebruikt.

LET OP:

- Probeer bij het afsnijden van dunne takjes en bladeren niet te veel tegelijk af te snijden. Werk in kleine stapjes. Probeer niet om dikkere takken af te snijden met dit gereedschap.
- Zorg ervoor dat de messenbladen tijdens gebruik niet de grond raken. De messenbladen worden hierdoor bot waardoor slechte resultaten ontstaan.
- Gebruik het gereedschap niet wanneer het gras of de boombladeren nat zijn.

Geluid ENG104-2

De typische, A-gewogen geluidsniveaus zijn gemeten volgens EN60745:

Geluidsdrukniveau (L_{pA}): 73,7 dB (A)

Onzekerheid (K): 2,5 dB (A)

Het geluidsniveau kan tijdens gebruik hoger worden dan 80 dB (A).

Draag gehoorbescherming.

Trilling ENG244-1

De trillingsemisiewaarde is bepaald volgens EN60745:

Trillingsemisie (a_h): 2,5 m/s² of minder

Onzekerheid (K): 1,5 m/s²

ENG901-1

- De opgegeven trillingsemisiewaarde is gemeten volgens de standaardtestmethode en kan worden gebruikt om dit gereedschap te vergelijken met andere gereedschappen.
- De opgegeven trillingsemisiewaarde kan ook worden gebruikt voor een beoordeling vooraf van de blootstelling.

WAARSCHUWING:

- De trillingsemisie tijdens het gebruik van het elektrisch gereedschap in de praktijk kan verschillen van de opgegeven trillingsemisiewaarde afhankelijk van de manier waarop het gereedschap wordt gebruikt.
- Zorg ervoor dat veiligheidsmaatregelen worden getroffen ter bescherming van de gebruiker die zijn gebaseerd op een schatting van de blootstelling onder praktijkomstandigheden (rekening houdend met alle fasen van de bedrijfscyclus, zoals de tijdsduur gedurende welke het gereedschap is uitgeschakeld en stationair draait, naast de ingeschakelde tijdsduur).

Alleen voor Europese landen ENH021-5

EU-verklaring van conformiteit

Wij, Makita Corporation, als de verantwoordelijke fabrikant, verklaren dat de volgende Makita-machine(s):

Aanduiding van de machine:

Accuheggenchaar

Modelnr./Type: UH200D

Technische gegevens: zie de tabel "TECHNISCHE GEGEVENS".

in serie is geproduceerd en

Voldoet aan de volgende Europese richtlijnen:

2000/14/EC en 2006/42/EC

En is gefabriceerd in overeenstemming met de volgende normen of genormaliseerde documenten:

EN60745

De technische documentatie wordt bewaard door onze erkende vertegenwoordiger in Europa, te weten:

Makita International Europe Ltd.,

Michigan Drive, Tongwell,

Milton Keynes, MK15 8JD, Engeland

De conformiteitsbeoordelingsprocedure vereist door Richtlijn 2000/14/EC was is Overeenstemming met annex V.

Gemeten geluidsvermogeniveau: 81,8 dB

Gegarandeerd geluidsvermogeniveau: 84 dB

27 augustus 2009



Tomoyasu Kato
Directeur

Makita Corporation
3-11-8, Sumiyoshi-cho,
Anjo, Aichi, JAPAN

ESPAÑOL (Instrucciones originales)

Explicación de los dibujos

- | | | |
|---|--------------------------------------|--------------------------------------|
| 1. Cartucho de la batería | 15. Aceite para máquinas | 29. Orificio en la placa base de las |
| 2. Botón | 16. Cubierta de la cuchilla | cuchillas de corte |
| 3. Botón de desbloqueo | 17. Cubierta inferior | 30. Placa base |
| 4. Interruptor disparador | 18. Palanca de bloqueo | 31. Parte doblada de la placa base |
| 5. Luz indicadora | 19. Pulse | de las cuchillas de corte |
| 6. Dirección de corte | 20. Gire | 32. Ranura de la cubierta inferior |
| 7. Incline las cuchillas | 21. Tornillos | 33. Orificio para gancho |
| 8. Superficie del seto que se desea | 22. Cigüeñal | 34. Cuchilla de las tijeras para |
| cortar | 23. Cuchillas de corte | césped |
| 9. Cuerda | 24. Línea de alineación básica en la | 35. Cubierta de la cuchilla de las |
| 10. Tuercas de fijación | carcasa de la herramienta | tijeras para césped |
| 11. Receptor de virutas | 25. Clavijas | 36. Funda de almacenamiento |
| 12. Tornillos de las cuchillas de corte | 26. Aplique grasa. | 37. Marco base |
| 13. La cubierta de la cuchilla siempre | 27. Parte hueca del cigüeñal | 38. Ranura |
| debe estar instalada antes de | 28. Orificios ovales que se | 39. Palanca de cambio |
| instalar el receptor de virutas | superponen | 40. Saliente del marco base |
| 14. Cepillo | | |

ESPECIFICACIONES

Modelo	UH200D
Longitud de la cuchilla	200 mm
Carreras por minuto (mín ⁻¹)	1.250
Longitud total	460 mm
Peso neto	1,2 kg
Tensión nominal	CC 10,8 V

- Debido a nuestro programa continuo de investigación y desarrollo, las especificaciones aquí descritas están sujetas a cambios sin previo aviso.
- Las especificaciones pueden ser diferentes de un país a otro.
- Peso de acuerdo con el procedimiento EPTA 01/2003


Símbolos


END011-3


Se utilizan los siguientes símbolos para el equipo.


Asegúrese de que comprende su significado antes del uso.


 Preste especial cuidado y atención.


 ... Lea el manual de instrucciones.

 No la exponga a la lluvia.

 Peligro; esté atento a los objetos que salgan despedidos.

 Mantenga alejadas a las personas circundantes.

 La acción de corte continúa después de apagar el motor.

 Cd
Ni-MH
Li-ion Sólo para países de la UE
¡No deseche el aparato eléctrico o la
batería junto con los residuos

domésticos!

De conformidad con la Directiva Europea 2002/96/CE sobre residuos de aparatos eléctricos y electrónicos, 2006/66/CE sobre baterías y acumuladores y el desecho de baterías y acumuladores y su aplicación de acuerdo con la legislación nacional, la herramienta eléctrica y la batería cuya vida útil haya llegado a su fin se deberán recoger por separado y trasladar a una planta de reciclaje que cumpla con las exigencias ecológicas.


Uso previsto

ENE014-1

La herramienta está diseñada para cortar setos.

Advertencias de seguridad generales para herramientas eléctricas

GEA010-1

 **ADVERTENCIA** Lea todas las advertencias de seguridad y todas las instrucciones. La no observancia de las advertencias y las instrucciones puede provocar descargas eléctricas, incendios y/o lesiones graves.

Guarde todas las advertencias e instrucciones para futuras consultas.

ADVERTENCIAS DE SEGURIDAD DEL CORTASETOS A BATERÍA

GEB062-2

1. **Sujete la herramienta eléctrica solamente por las superficies de agarre aisladas, ya que la hoja de corte puede entrar en contacto con cables ocultos.** Si entra en contacto con un cable con corriente, puede que las piezas metálicas expuestas de la herramienta eléctrica se carguen también de corriente y que el operario reciba una descarga.
2. **Mantenga todas las partes del cuerpo alejadas de la cuchilla. No retire material cortado ni sujete el material que desea cortar cuando las cuchillas estén en movimiento. Asegúrese de que el interruptor esté apagado cuando despeje material atascado.** Un momento de distracción mientras maneja el cortasetos puede dar como resultado daños corporales graves.
3. **Transporte el cortasetos por el asa con la cuchilla detenida. Cuando transporte o almacene el cortasetos, siempre debe colocar la cubierta del dispositivo de corte.** Un manejo correcto del cortasetos reducirá la posibilidad de lesiones personales causadas por las cuchillas.
4. No utilice el cortasetos bajo la lluvia, donde haya agua o en condiciones de mucha humedad. El motor eléctrico no es a prueba de agua.
5. Un usuario con experiencia en el uso del cortasetos debe mostrar a los usuarios novatos cómo utilizarlo.
6. El cortasetos no debe ser utilizado por niños ni jóvenes menores de 18 años. Los jóvenes mayores de 16 años pueden quedar excluidos de esta restricción si reciben formación bajo la supervisión de un experto.
7. Utilice el cortasetos solamente si se encuentra en buen estado físico. Si está cansado, su atención se verá reducida. Tenga especial cuidado al final de un día de trabajo. Realice todo el trabajo con calma y con cuidado. El usuario es responsable de todos los daños a terceros.
8. No utilice nunca el cortasetos bajo la influencia de alcohol, drogas o medicamentos.
9. Asegúrese de que el voltaje y la frecuencia de la fuente de alimentación coincidan con las especificaciones proporcionadas en la placa de identificación. Recomendamos el uso de un disyuntor de corriente residual (interruptor de circuito con pérdida a tierra) con una corriente de desconexión de 30 mA o menos, o un protector de corriente de pérdida a tierra.
10. Los guantes de trabajo de piel gruesa son parte del equipo básico del cortasetos y siempre deben utilizarse cuando se trabaje con él. Utilice también calzado robusto con suelas antideslizamiento.
11. Antes de empezar a trabajar, asegúrese de que el cortasetos esté en un estado de trabajo correcto y seguro. Asegúrese de que las protecciones se

- monten correctamente. No debe utilizarse el cortasetos si no está completamente ensamblado.
12. Asegúrese de que mantiene una posición bien equilibrada antes de iniciar la operación.
13. Sujete la herramienta firmemente cuando la utilice.
14. No utilice la herramienta en vacío innecesariamente.
15. Apague inmediatamente el motor y extraiga el cartucho de la batería si la cuchilla entra en contacto con una valla u otro objeto duro. Compruebe si hay daños en la cuchilla y, si está dañada, repárela inmediatamente.
16. Antes de comprobar la cuchilla, arreglar desperfectos o retirar material atrapado en la cuchilla, siempre debe apagar el cortasetos y extraer el cartucho de la batería.
17. Apague el cortador y retire el cartucho de la batería antes de realizar cualquier trabajo de mantenimiento.
18. Cuando transporte el cortasetos a otra ubicación, incluso durante el trabajo, retire siempre el cartucho de la batería. Nunca transporte el cortasetos con la cuchilla en funcionamiento. Nunca sujete la cuchilla con sus manos.
19. Limpie el cortasetos y especialmente la cuchilla tras su uso y antes de almacenar el cortasetos durante largos períodos de tiempo. Engrase ligeramente la cuchilla y coloque la cubierta. La cubierta proporcionada con la unidad se puede colgar en la pared, lo que resulta una forma práctica y segura de almacenar el cortasetos.
20. Guarde el cortasetos con la cubierta puesta, en una habitación seca. Manténgalo fuera del alcance de los niños. Nunca guarde el cortasetos a la intemperie.

GUARDE ESTAS INSTRUCCIONES.

⚠ ADVERTENCIA:

No deje que la comodidad o la familiaridad con el producto (a base de utilizarlo repetidamente) sustituya la estricta observancia de las normas de seguridad del producto en cuestión. El MAL USO o la no observancia de las normas de seguridad expuestas en este manual de instrucciones pueden ocasionar graves daños corporales.

ADVERTENCIAS DE SEGURIDAD DE LAS TIJERAS PARA CÉSPED A BATERÍA

GEB070-2

⚠ ¡ADVERTENCIA! IMPORTANTE, LEA CON

CUIDADO todas las instrucciones y advertencias de seguridad ANTES DEL USO. La no observancia de las advertencias y las instrucciones puede provocar descargas eléctricas, incendios y/o lesiones graves.

Guarde todas las advertencias e instrucciones para futuras consultas.

Instrucciones generales

1. Para garantizar un uso correcto, el usuario debe leer este manual de instrucciones para familiarizarse con el manejo del equipo. Los usuarios con una

información insuficiente se pondrán en riesgo a ellos mismos y pondrán en riesgo a otros a causa de un manejo incorrecto.

2. Nunca deje que personas que no estén familiarizadas con estas instrucciones, personas (incluyendo niños) con capacidades físicas, sensoriales o mentales reducidas, o falta de experiencia y conocimientos utilicen el equipo. Las normas locales pueden restringir la edad del operario.
3. Utilice el equipo con el máximo cuidado y la máxima atención.
4. Utilice el equipo solamente si se encuentra en buen estado físico. Realice todo el trabajo con calma y con cuidado. Use el sentido común y tenga en cuenta que el operario o el usuario es responsable de los accidentes o situaciones de peligro que se produzcan para otras personas o su propiedad.
5. Nunca utilice la máquina mientras haya cerca personas, especialmente niños, o animales.
6. Nunca utilice el equipo tras consumir alcohol o medicamentos o si se siente cansado o enfermo.
7. El motor se debe detener inmediatamente si el equipo muestra algún problema o señales de anomalías.
8. Apague el equipo y extraiga el cartucho de la batería cuando descansa y deje el equipo desatendido, y colóquelo en un lugar seguro para evitar situaciones de peligro para terceras personas o daños en el equipo.
9. No fuerce el equipo. Realizará mejor su trabajo y con menos probabilidades de lesiones a la velocidad para la que fue diseñado.
10. No intente abarcar demasiada distancia. Mantenga la postura adecuada y el equilibrio en todo momento.

Equipo de protección personal

1. Use la indumentaria apropiada. Debe llevarse ropa funcional y apropiada, es decir, debe ser ajustada pero sin que sea incómoda. No lleve joyas ni prendas que puedan engancharse. Lleve protección para el cabello para sujetar el cabello largo.
2. Utilice protección para los ojos y zapatos robustos en todo momento mientras utilice la máquina.

Seguridad eléctrica y de la batería

1. Evite entornos peligrosos. No utilice el equipo en ubicaciones mojadas o húmedas ni lo exponga a la lluvia. Si entra agua en el equipo, aumenta el riesgo de sufrir una descarga eléctrica.
2. Recárguela solamente con el cargador especificado por el fabricante. Un cargador que es adecuado para un tipo de batería puede crear un riesgo de incendio cuando se usa con otra batería.
3. Utilice las herramientas eléctricas solamente con los paquetes de batería designados. El uso de cualquier otra batería puede crear un riesgo de lesiones e incendio.
4. Cuando no se utilice la batería, manténgala alejada de otros objetos metálicos, como clips de papel, monedas, llaves, clavos, tornillos u otros objetos metálicos pequeños que puedan establecer una conexión entre los terminales. El cortocircuito de los terminales de la batería puede provocar quemaduras o un incendio.
5. En condiciones de maltrato, la batería puede expulsar líquido; evite el contacto con él. Si se produce un

contacto accidental, lávelo con agua. Si el líquido entra en contacto con los ojos, adicionalmente, solicite ayuda médica. El líquido expulsado de la batería puede provocar irritaciones o quemaduras.

6. No deseches las baterías en un fuego. Puede explotar. Consulte en las normativas locales las posibles instrucciones de desecho.
7. No abra ni mutila las baterías. El electrolito que se desprende es corrosivo y puede causar daños a los ojos o la piel. Puede ser tóxico si se ingiere.

Puesta en marcha del equipo

1. Asegúrese de que no haya niños u otras personas cerca; asimismo, preste especial atención a los animales que puedan estar cerca de la zona de trabajo. De lo contrario, deje de usar el equipo.
2. Antes del uso, compruebe que el equipo permita realizar las operaciones con seguridad. Compruebe la seguridad de la herramienta de corte y el protector y que el gatillo interruptor o la palanca funcionen correctamente y se accionen fácilmente. Compruebe que los asideros estén limpios y secos y pruebe la función de arranque/parada.
3. Compruebe si hay partes dañadas antes de utilizar el equipo. Si un protector o cualquier otra parte de la herramienta se ha dañado, debe inspeccionarse con detenimiento para determinar si funcionará correctamente y si cumplirá con su finalidad. Compruebe la alineación de las partes móviles, el libre movimiento de las partes móviles, la rotura de piezas, el montaje y cualquier otra condición que pueda afectar a su funcionamiento. Los protectores, o cualquier otra pieza que esté dañada, deben repararse correctamente en nuestro centro de reparaciones autorizado a menos que se indique lo contrario en este manual.
4. Ponga en marcha el motor solamente cuando los pies y las manos estén alejados de la herramienta de corte.
5. Antes de poner en marcha la herramienta de corte, asegúrese de que no esté en contacto con ningún objeto.

Método de trabajo

1. Utilice el equipo únicamente con buenas condiciones de iluminación y visibilidad. Durante el invierno tenga cuidado con las áreas húmedas o resbaladizas, hielo y nieve (riesgo de resbalar). Asegúrese siempre de que sus pies se encuentran en una posición segura.
2. Protéjase de las lesiones en los pies y las manos causadas por la herramienta de corte.
3. No se suba nunca a una escalera mientras utilice el equipo.
4. No se suba a árboles mientras realice la operación de corte con el equipo.
5. No trabaje nunca en superficies inestables.
6. Elimine la arena, piedras, clavos, etc. que se encuentren en el área de trabajo. Los objetos extraños pueden dañar la herramienta de corte y provocar peligrosos contragolpes.
7. Si la herramienta de corte golpea piedras u otros objetos duros, apague el motor inmediatamente e inspecciónela.

8. Inspeccione periódicamente la herramienta de corte para comprobar si hay daños (compruebe si hay grietas finas mediante pruebas de sonido).
9. Antes de comenzar a cortar, la herramienta de corte debe alcanzar la velocidad de trabajo completa.
10. La herramienta de corte debe estar equipada con la protección adecuada. ¡Nunca utilice el equipo con las protecciones dañadas o sin utilizar protecciones!
11. Todas las piezas de protección y las protecciones suministradas con el equipo deben utilizarse durante el funcionamiento.
12. Extraiga siempre el cartucho de la batería del equipo:
 - cuando deje el equipo desatendido;
 - antes de despejar un atasco;
 - antes de comprobar, limpiar o trabajar en el equipo;
 - después de golpear un objeto extraño;
 - cuando el equipo empiece a vibrar de forma anómala.
13. Asegúrese siempre de que las aberturas de ventilación estén libres de residuos.

Herramientas de corte

1. Utilice solamente la herramienta de corte correcta para el trabajo que va a realizar.

Instrucciones de mantenimiento

1. Antes de iniciar el trabajo se debe comprobar el estado del equipo, especialmente de los dispositivos de protección de la herramienta de corte.
2. Apague el motor y extraiga el cartucho de la batería antes de realizar tareas de mantenimiento, sustituir las herramientas de corte o limpiar el equipo o la herramienta de corte.
3. Compruebe si hay elementos de sujeción sueltos y partes dañadas, como grietas, en el accesorio de corte.
4. Siga las instrucciones para lubricar y cambiar accesorios.
5. Cuando no se utilice, el equipo debe guardarse en un lugar alto o cerrado, fuera del alcance de los niños. Limpie el equipo y realice las tareas de mantenimiento antes de almacenarlo.
6. Utilice solamente accesorios y piezas de recambio recomendados por el fabricante.
7. Inspeccione el equipo y realice las tareas de mantenimiento periódicamente, especialmente antes/ después del uso. Haga que el equipo se repare solamente en un centro de servicio autorizado.
8. Mantenga las empuñaduras secas, limpias y libres de aceite y grasa.

CONSERVELAS PARA FUTURAS CONSULTAS

ADVERTENCIA:

No deje que la comodidad o la familiaridad con el producto (a base de utilizarlo repetidamente) sustituya la estricta observancia de las normas de seguridad del producto en cuestión. El MAL USO o la no observancia de las normas de seguridad expuestas en este manual de instrucciones pueden ocasionar graves daños corporales.

INSTRUCCIONES DE SEGURIDAD IMPORTANTES

ENC007-4

PARA EL CARTUCHO DE LA BATERÍA

1. Antes de utilizar el cartucho de la batería, lea todas las instrucciones y referencias de precaución que se encuentran en (1) el cargador de baterías, (2) la batería y (3) el producto que utiliza la batería.
2. No desmonte el cartucho de la batería.
3. Si el tiempo de funcionamiento es excesivamente corto, deje de utilizar la herramienta de inmediato. De lo contrario, existe el riesgo de sobrecalentamiento, quemaduras e incluso explosión.
4. Si se produce contacto ocular con electrolito, enjuáguese los ojos con agua limpia y acuda de urgencia al médico. Corre el riesgo de perder la visión.
5. No cortocircuite el cartucho de la batería:
 - (1) No toque los terminales con material conductor.
 - (2) Evite guardar el cartucho de la batería en un recipiente con otros objetos metálicos, como clavos, monedas, etc.
 - (3) No exponga el cartucho de la batería al agua o a la lluvia.
Un cortocircuito puede provocar un elevado flujo de corriente, sobrecalentamiento, quemaduras o incluso una avería.
6. No almacene la herramienta ni el cartucho de la batería en lugares donde la temperatura supere los 50 °C (122 °F).
7. No queme el cartucho de la batería aunque esté gravemente dañado o completamente gastado. El cartucho de la batería puede explotar si entra en contacto con fuego.
8. Procure que la batería no sufra golpes ni caídas.
9. No utilice baterías que hayan sufrido golpes o caídas.

GUARDE ESTAS INSTRUCCIONES.

Consejos para conseguir una mayor duración de la batería

1. Cargue la batería antes de que se descargue por completo.
Deje de utilizar siempre la herramienta y cargue el cartucho de la batería cuando observe que tiene menos potencia.
2. No recargue nunca un cartucho de batería completamente cargado. La sobrecarga acorta la vida útil de la batería.
3. Cargue el cartucho de la batería a una temperatura ambiente que oscile entre 10 °C y 40 °C (50 °F - 104 °F). Antes de cargar un cartucho de batería caliente, deje que se enfríe.

DESCRIPCIÓN DEL FUNCIONAMIENTO

⚠️ PRECAUCIÓN:

- Antes de ajustar o de comprobar la herramienta, asegúrese siempre de que está apagada y de que la batería ha sido extraída.

Instalación o extracción del cartucho de la batería (Fig. 1)

- Apague siempre la herramienta antes de insertar o extraer el cartucho de la batería.
- Para extraer el cartucho de la batería, quítelo de la herramienta al mismo tiempo que pulsa los botones situados a ambos lados del cartucho.
- Para insertar el cartucho de la batería, sujételo de manera que la forma de la parte frontal del cartucho de la batería encaje en la forma de la abertura de instalación de la batería y deslícelo hasta que encaje en su lugar. Insértela completamente hasta que quede firmemente sujeta y se bloquee con un clic. De lo contrario, el cartucho puede desprenderse accidentalmente de la herramienta y causar lesiones al operario o a alguna persona que se encuentre cerca.
- No haga fuerza al insertar el cartucho de la batería. Si no se inserta suavemente, significa que no lo está instalando correctamente.

Accionamiento del interruptor (Fig. 2)

⚠️ PRECAUCIÓN:

- Antes de insertar el cartucho de la batería en la herramienta, asegúrese siempre de que el interruptor disparador funciona como es debido y que vuelve a la posición "OFF" (apagado) al soltarlo.

Para evitar que el gatillo interruptor pueda ser apretado accidentalmente, se ha provisto un botón de desbloqueo. Para poner en marcha la herramienta, presione el botón de bloqueo y tire del disparador del interruptor. Suelte el gatillo interruptor para detener la herramienta. El botón de bloqueo se puede pulsar desde el lado izquierdo o el derecho.

Luz indicadora (Fig. 3)

Mientras la herramienta está en funcionamiento la luz indicadora muestra el estado de capacidad del cartucho de la batería.

Cuando la herramienta también está sobrecargada y se ha detenido durante el funcionamiento, la luz se enciende de color rojo.

Consulte en la siguiente tabla el estado y la acción que se debe tomar para la luz indicadora.

Luz indicadora	Estado	Acción que debe realizarse
La luz parpadea de color rojo.	Indica el tiempo aproximado para reemplazar el cartucho de la batería cuando la carga de la batería está baja.	Recargue el cartucho de la batería lo antes posible.
La luz se enciende de color rojo. (Nota 1)	Esta función se activa cuando la carga de la batería casi se ha agotado. En ese caso, la herramienta se detiene inmediatamente.	Recargue el cartucho de la batería.
La luz se enciende de color rojo. (Nota 1)	Parada automática causada por una sobrecarga.	Apague la herramienta.

Nota 1: El momento en el que se enciende la luz indicadora varía en función de la temperatura de la zona de trabajo y del estado del cartucho de la batería.

OPERACIÓN

Consulte las advertencias de seguridad antes del uso.

⚠️ PRECAUCIÓN:

- Tenga cuidado de no entrar en contacto accidentalmente con una valla metálica u otros objetos duros mientras corta. La cuchilla puede romperse y causar lesiones graves.
- Asimismo, tenga cuidado de que la cuchilla de corte no entre en contacto con el suelo.
- Intente llegar demasiado lejos con un cortasetos, especialmente desde una escalera, es extremadamente peligroso. No trabaje desde ninguna superficie que se tambalee o no sea firme. (Fig. 4)

No intente cortar ramas de un grosor superior a 10 mm de diámetro con este cortasetos. Primero deben cortarse con cizallas hasta el nivel de corte de setos.

⚠️ PRECAUCIÓN:

- No corte árboles muertos u objetos duros similares. De lo contrario, podría dañar la herramienta.
- No corte césped o maleza mientras utiliza la cuchilla de corte de setos. La cuchilla de corte se puede enredar en el césped o la maleza. (Fig. 5)

Sujete el cortador con una mano, suelte el botón de bloqueo, tire el interruptor disparador y muévelo delante de su cuerpo. (Fig. 6)

Como operación de manejo básica, incline las cuchillas en la dirección de corte y mueva el cortasetos tranquilamente y suavemente a una velocidad de 3 - 4 segundos por metro. (Fig. 7)

Para cortar de forma uniforme la parte superior de un seto, resulta de ayuda atar un cordón a la altura deseada del seto y cortar a lo largo de él, usándolo como referencia. (Fig. 8)

Si se acopla el receptor de virutas (accesorio) en la herramienta cuando se corta el seto de forma recta, se puede evitar que las cuchillas salgan despedidas. (Fig. 9)

Para cortar el lateral de un seto de forma uniforme, resulta útil cortar desde la parte inferior hacia arriba.

(Fig. 10)

Corte madera de boj o rododendro desde la base hacia la parte superior para lograr un aspecto atractivo y un buen trabajo.

Instalación o extracción del receptor de virutas (accesorio)

⚠ PRECAUCIÓN:

- Asegúrese siempre de que la herramienta esté apagada y de que se haya extraído el cartucho de la batería antes de instalar o extraer el receptor de virutas.

NOTA:

- Siempre que reemplace el receptor de virutas, utilice guantes para que las manos y la cara no entren en contacto con la cuchilla. De lo contrario, puede sufrir lesiones personales.
- Cuando reemplace el receptor de virutas, tenga cuidado de que no entre en contacto con las cuchillas de corte.
- El receptor de virutas recibe hojas cortadas y ayuda a recoger las hojas que salen despedidas. Puede instalarse en cualquier lado de la herramienta.

(Fig. 11)

Coloque el receptor de virutas en las cuchillas de corte para que sus rendijas se solapen con los tornillos de las cuchillas de corte y fíjelo usando dos tuercas de fijación. Para extraer el receptor de virutas, afloje y retire las dos tuercas de fijación y después retírelo.

MANTENIMIENTO

⚠ PRECAUCIÓN:

- Asegúrese de apagar siempre la herramienta y extraer el cartucho de la batería antes de intentar realizar cualquier trabajo de inspección o mantenimiento en ella.

Limpeza de la herramienta

Limpe la herramienta eliminando la suciedad con un trapo húmedo o empapado en jabón.

⚠ PRECAUCIÓN:

- Nunca utilice gasolina, benceno, disolvente, alcohol o un producto similar. Se puede provocar una decoloración, una deformación o grietas.

Mantenimiento de la cuchilla de corte (Fig. 12)

Engrase la cuchilla antes de su uso, y una vez por hora durante su uso, con aceite para máquina o un producto similar. (Fig. 13)

Tras su uso, elimine la suciedad de ambos lados de la cuchilla con un cepillo de alambre, límpiela con un trapo y después aplique suficiente aceite de baja viscosidad, como aceite para máquina, etc. y aceite lubricante en aerosol.

⚠ PRECAUCIÓN:

- No limpie las cuchillas con agua. En caso contrario se pueden provocar daños o herrumbre en la herramienta.

Extracción o instalación de las cuchillas de corte de setos

⚠ PRECAUCIÓN:

- Antes de extraer o instalar las cuchillas de corte, asegúrese siempre de que la herramienta esté apagada y que se haya extraído el cartucho de la batería.
- Siempre que reemplace las cuchillas de corte, póngase guantes antes de extraer la cubierta de la cuchilla para que las manos y la cara no entren en contacto con la cuchilla. De lo contrario, puede sufrir lesiones personales.

NOTA:



- No limpie la grasa de los engranajes o del cigüeñal. De lo contrario, podría dañar la herramienta.
- Para obtener instrucciones para extraer e instalar las cuchillas consulte la parte posterior de un paquete de accesorios de cuchillas.

Extracción de las cuchillas de corte de setos (Fig. 14)

⚠ PRECAUCIÓN:

- Instale la cubierta de la cuchilla antes de extraer o instalar las cuchillas de corte.

Coloque la herramienta al revés. (Fig. 15)

Para extraer las cuchillas de corte, pulse la palanca de bloqueo y con la palanca de bloqueo pulsada gire la cubierta inferior en la dirección contraria a las agujas del reloj hasta que el símbolo  de la cubierta inferior esté alineado con el símbolo  de la palanca de bloqueo. (Fig. 16)

Retire la cubierta inferior de la herramienta. (Fig. 17)

Afloje los dos tornillos con una moneda o un elemento similar y extraiga las cuchillas de corte.

NOTA:

- No extraiga los tornillos. Sin extraer los tornillos aflojados se pueden extraer las cuchillas de corte. (Fig. 18)

Retire el cigüeñal de las cuchillas de corte.

NOTA:

- El cigüeñal puede permanecer en la herramienta.

Instalación o extracción de las cuchillas de corte de setos (Fig. 19)

Prepare el cigüeñal, la cubierta inferior y las nuevas cuchillas de corte. (Fig. 20)

Ajuste la posición de las tres clavijas de tope para que estén alineadas con la línea de alineación básica de la carcasa de la herramienta. (Fig. 21)



Ajuste el cigüeñal, con su parte hueca mirando hacia abajo, en las clavijas de tope. A continuación, aplique una pequeña cantidad de grasa a la periferia del cigüeñal usando la grasa que se proporciona como accesorio opcional con las cuchillas de corte o que permanezca dentro del alojamiento de los engranajes. (Fig. 22)


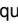
Solape el orificio oval de la cuchilla superior con el de la inferior. Mueva las cuchillas de corte de forma que el orificio de la placa base de las cuchillas de corte esté colocado en el centro de esos orificios ovales solapados. (Fig. 23)

Retire la cubierta de la cuchilla de las cuchillas antiguas y encájela en las nuevas para facilitar la sustitución de las cuchillas. (Fig. 24)

Coloque las cuchillas de corte al revés e instélaslas de forma que la clavija de la herramienta encaje en el orificio de las cuchillas de corte. Encaje la parte doblada de la placa base de las cuchillas de corte en la ranura de la carcasa de la herramienta. A continuación, asegúrese de que la placa base de las cuchillas de corte esté ajustada en su lugar. (Fig. 25)

Apriete los dos tornillos firmemente con una moneda o un elemento similar. (Fig. 26)

Coloque la cubierta inferior de forma que el símbolo  de la cubierta inferior esté alineado con el símbolo  de la palanca de bloqueo. (Fig. 27)

Coloque la cubierta inferior hacia abajo y con la cubierta inferior presionada hacia abajo, gírela en el sentido de las agujas del reloj hasta que el símbolo  de la etiqueta esté alineado con el símbolo  de la palanca de bloqueo (la cubierta inferior está completamente bloqueada). (Fig. 28)

Asegúrese de que la palanca de bloqueo encaje en la ranura de la cubierta inferior.

PRECAUCIÓN:

- Nunca utilice la herramienta sin instalar la cubierta inferior en ella.

Extraiga la cubierta de la cuchilla y, a continuación, encienda la herramienta para comprobar si se mueve correctamente.

NOTA:

- Si las cuchillas no funcionan correctamente, el contacto entre las cuchillas y el cigüeñal es incorrecto. Vuelva a empezar desde el principio.

Almacenamiento (Fig. 29)

El orificio para ganchos de la parte inferior de la herramienta es útil para colgar la herramienta de un clavo o un tornillo en la pared.

Coloque la cubierta de la cuchilla en las cuchillas para que no queden expuestas. Guarde la herramienta con cuidado fuera del alcance de los niños.

Guarde la herramienta en un lugar que no esté expuesto al agua y la lluvia.

Para conservar la SEGURIDAD y la FIABILIDAD del producto, los trabajos de reparación, la inspección y la sustitución de las escobillas de carbón, así como otros trabajos de mantenimiento y ajuste, deberán ser realizados en centros de servicio autorizados de Makita, utilizando siempre piezas de repuesto de Makita.

ACCESORIOS

PRECAUCIÓN:

- Se recomienda el uso de estos accesorios o complementos con la herramienta Makita especificada en este manual. El uso de otros accesorios o complementos puede conllevar el riesgo de ocasionar daños corporales. Utilice los accesorios o complementos solamente para su fin establecido.

Si necesita cualquier ayuda para obtener más información relativa a estos accesorios, pregunte a su centro de servicio Makita local.

- Cubierta de la cuchilla para cortar setos
- Conjunto de la cuchilla de corte de setos
- Receptor de virutas para el corte de setos
- Batería y cargador originales de Makita

Para uso de tijeras para césped a batería (Fig. 30)

Esta herramienta se puede usar como tijeras para césped si se utiliza la cuchilla de corte de césped (accesorio opcional) y el conjunto de cambio de 2 vías.

Para utilizar esta herramienta como tijeras para césped, se debe reemplazar las cuchillas de corte de setos por las cuchillas de corte de césped.

Para extraer las cuchillas de corte de setos, consulte la sección mencionada anteriormente, con el título "Extracción de las cuchillas de corte de setos".

Para instalar la cuchilla de corte de césped, consulte la sección siguiente con el título "Instalación o extracción de las cuchillas de corte de césped".

- Conjunto de cuchilla de corte de césped (para las tijeras para césped)
- Conjunto de cambio de 2 vías formado por los tres accesorios siguientes
- Cubierta de la cuchilla de corte de césped (para las tijeras para césped)
- Funda de almacenamiento (para la sección inferior de la cuchilla)
- Marco base (para las tijeras para césped)
- Accesorio de mango largo (para las tijeras para césped)

MONTAJE

PRECAUCIÓN:

- Asegúrese siempre de apagar la herramienta y extraer el cartucho de la batería antes de intentar realizar cualquier tipo de operación en la herramienta.

Instalación o extracción de la cubierta de la cuchilla (Fig. 31 y 32)

PRECAUCIÓN:

- Tenga cuidado de no tocar la cuchilla de corte cuando instale o extraiga la cubierta de la cuchilla. El contacto con la cuchilla de corte puede provocar lesiones personales.

Deslice la cubierta de la cuchilla del lateral de la herramienta hasta que se oculte completamente y después empújela suavemente hacia la herramienta desde la parte frontal.

Para extraer la cubierta de la cuchilla, siga el procedimiento anterior en orden inverso.

Instalación o extracción de las cuchillas de corte de césped

PRECAUCIÓN:

- Asegúrese siempre de que la herramienta esté apagada y de que se haya extraído el cartucho de la batería antes de instalar o extraer las cuchillas de corte. Si no se apaga la herramienta o no se extrae el cartucho de la batería de la herramienta, se pueden provocar lesiones graves a causa de una puesta en marcha accidental.
- Siempre que reemplace la cuchilla, póngase guantes antes de extraer la cubierta de la cuchilla para que las manos y la cara no entren en contacto con la cuchilla. De lo contrario, puede sufrir lesiones personales.

NOTA:

- No limpie la grasa de los engranajes o del cigüeñal. De lo contrario, podría dañar la herramienta.
- Para obtener instrucciones para extraer e instalar las cuchillas consulte la parte posterior de un paquete de accesorios de cuchillas. (Fig. 33)

Para instalar la cuchilla de corte de césped, prepare el cigüeñal, la cubierta inferior y la nueva cuchilla de corte de césped. (Fig. 34)



Retire la cubierta de la cuchilla de las cuchillas antiguas y encájela en las nuevas para facilitar la sustitución de las cuchillas. (Fig. 35)



Ajuste la posición de las tres clavijas de tope de forma que estén alineadas en el ángulo adecuado en relación con la línea de alineación básica de la carcasa de la herramienta. (Fig. 36)

Ajuste el cigüeñal, con su parte hueca mirando hacia arriba, en las clavijas de tope. A continuación, aplique una pequeña cantidad de grasa a la periferia del cigüeñal usando la grasa que se proporciona como accesorio opcional con las cuchillas de corte o que permanezca dentro del alojamiento de los engranajes. (Fig. 37)

Solape el orificio oval de la cuchilla superior con el de la inferior. Mueva las cuchillas de corte de forma que el orificio de la placa base de las cuchillas de corte esté colocado en el centro de esos orificios ovales solapados. (Fig. 38)

Coloque las cuchillas de corte al revés e instélaslas de forma que las clavijas de tope de la herramienta encajen en el orificio de las cuchillas de corte. Asegúrese de que las cuchillas de corte se hayan ajustado firmemente lo máximo posible en la placa base. (Fig. 39)

Coloque la cubierta inferior de forma que el símbolo  de la cubierta inferior esté alineado con el símbolo  de la palanca de bloqueo. (Fig. 40)

Coloque la cubierta inferior hacia abajo y con la cubierta inferior presionada hacia abajo, gírela en el sentido de las agujas del reloj hasta que el símbolo  de la etiqueta esté alineado con el símbolo  de la palanca de bloqueo (la cubierta inferior está completamente bloqueada). (Fig. 41)

Asegúrese de que la palanca de bloqueo encaje en la ranura de la cubierta inferior.



Extraiga la cubierta de la cuchilla y, a continuación, encienda la herramienta para comprobar si se mueve correctamente.

NOTA:

- Si las cuchillas no funcionan correctamente, el contacto entre las cuchillas y el cigüeñal es incorrecto. Vuelva a empezar desde el principio. (Fig. 42)
- Extraiga el marco base y coloque la herramienta al revés.

PRECAUCIÓN:

- Antes de colocar la herramienta al revés, asegúrese de extraer el marco base. (Fig. 43)

Para extraer la cuchilla de corte, pulse la palanca de bloqueo y con la palanca de bloqueo pulsada gire la cubierta inferior en la dirección contraria a las agujas del reloj hasta que el símbolo  de la cubierta inferior esté alineado con el símbolo  de la palanca de bloqueo. (Fig. 44)

Extraiga la cubierta inferior, la cuchilla de corte y el cigüeñal de la herramienta en ese orden. (Fig. 45)

NOTA:

- En el uso de dos vías, la cuchilla de corte de setos extraída debe almacenarse en la funda de almacenamiento de cuchillas y guardarse para uso futuro.

Instalación o extracción del marco base

PRECAUCIÓN:

- Antes de instalar o extraer el marco base, asegúrese de instalar la cubierta de la cuchilla.
- Cuando instale o extraiga el marco base, tenga cuidado de que sus dedos no queden atrapados entre la herramienta y el marco base. (Fig. 46)

Para extraer el marco base, dé la vuelta a la herramienta y extráigalo de la ranura sujetándolo por su parte inferior. (Fig. 47)

Para instalar el marco base, encaje el saliente del marco base cerca de la palanca de cambio dentro del orificio para el ajuste de la altura de corte del césped. Con el marco base encajado de esa manera, tire de la parte inferior del marco base y encaje la otra parte del marco base en la ranura de la herramienta.

Ajuste de la altura de corte (Fig. 48)

Si se cambia la posición de la palanca de cambio la altura de corte del césped se puede cambiar en tres pasos de ajuste (10 mm, 15 mm y 25 mm).

Para cambiar el ajuste, incline la palanca de cambio hacia la posición del marco base y con la palanca de cambio inclinada, muévela hacia arriba o hacia abajo a lo largo de la superficie de la herramienta hasta que el saliente del marco base encaje en uno de los orificios de la herramienta y suéltela.

OPERACIÓN

ADVERTENCIA:

- Mantenga las manos alejadas de las cuchillas.

PRECAUCIÓN:

- Engrase la cuchilla antes de su uso, y una vez por hora durante su uso, con aceite para máquina o un producto similar.
- No utilice la herramienta bajo la abrasadora luz del sol siempre que sea posible. Cuando utilice la herramienta, tenga cuidado con sus condiciones físicas. (Fig. 49)

Encienda la herramienta tras ajustar la altura de corte y sujétela de forma que el pie de la herramienta descance en el suelo. A continuación mueva la herramienta hacia delante en el área que se va a cortar. (Fig. 50)

Quando corte alrededor de bordillos, vallas o árboles, mueva la herramienta a lo largo de ellos. Tenga cuidado de que la cuchilla no entre en contacto con ellos. (Fig. 51)

Quando corte brotes o follaje de un árbol pequeño, retire el marco base de la herramienta y corte poco a poco. Corte ramas grandes a la altura deseada previamente usando tijeras para ramas antes de utilizar esta herramienta.

PRECAUCIÓN:

- Cuando corte ramitas y follaje, no intente cortar demasiado de una vez. Procesa con cuidado. Asimismo, no intente cortar ramas gruesas.

- No deje que las cuchillas de corte entren en contacto con el suelo durante su funcionamiento. Las cuchillas se pueden desafilarse, lo que provocaría un rendimiento pobre.
- No corte césped húmedo o follaje de árboles pequeños

Ruido ENG104-2
Niveles típicos de ruido ponderado A determinados conforme a EN60745:

Nivel de presión de sonido (L_{pA}): 73,7 dB (A)
Incertidumbre (K): 2,5 dB (A)

El nivel de ruido durante el trabajo puede superar los 80 dB (A).

Utilice protección para los oídos.

Vibración ENG244-1
Valor de emisión de vibraciones determinado de acuerdo con EN60745:

Emisión de vibraciones (a_h): 2,5 m/s² o menos
Incertidumbre (K): 1,5 m/s²

- El valor de emisión de vibraciones se ha medido de acuerdo con el método de prueba estándar y se puede utilizar para comparar herramientas.
- El valor de emisión de vibraciones declarado también se puede usar en una evaluación preliminar de la exposición.

⚠ ADVERTENCIA:

- La emisión de vibraciones durante el uso de la herramienta eléctrica puede diferir del valor de emisiones declarado, dependiendo de las formas en que se utiliza la herramienta.
- Asegúrese de identificar las mediciones correctas para proteger al operario, que se basan en una estimación de la exposición en condiciones de uso reales (teniendo en cuenta todas las partes del ciclo de operaciones, como los momentos en los que la herramienta está apagada y cuando funciona al ralentí además del tiempo en que está activado el interruptor).

Sólo para países europeos ENH021-5
Declaración de conformidad de la CE
Nosotros, Makita Corporation, en calidad de fabricante responsable, declaramos que las siguientes máquinas Makita:

Designación de la máquina:
Cortasetos inalámbrico
Nº de modelo/ Tipo: UH200D
Especificaciones: consulte la tabla "ESPECIFICACIONES".

son de producción serie y

Cumplen con las siguientes Directivas europeas:
2000/14/CE, 2006/42/CE

Y se han fabricado de acuerdo con los siguientes estándares o documentos estandarizados:

EN60745

La documentación técnica la conserva nuestro representante autorizado en Europa, que es:

Makita International Europe Ltd.,
Michigan, Drive, Tongwell,
Milton Keynes, MK15 8JD, Inglaterra

El procedimiento de evaluación de conformidad requerido por la Directiva 2000/14/CE se realizó de acuerdo con el anexo V.

Nivel de potencia sonora medido: 81,8 dB

Nivel de potencia sonora garantizado: 84 dB

27 de agosto de 2009



Tomoyasu Kato
Director

Makita Corporation
3-11-8, Sumiyoshi-cho,
Anjo, Aichi, JAPAN

PORTUGUÊS (Instruções de origem)

Descrição geral

- | | | |
|---|--|--|
| 1. Bateria | 15. Óleo da máquina | 29. Orifício na placa da base das lâminas da tesoura |
| 2. Botão | 16. Cobertura da lâmina | 30. Placa da base |
| 3. Botão de bloqueio | 17. Tampa inferior | 31. Peça dobrada da placa da base das lâminas da tesoura |
| 4. Gatilho | 18. Alavanca de bloqueio | 32. Ranhura na tampa inferior |
| 5. Luz indicadora | 19. Prima | 33. Orifício do gancho |
| 6. Direcção da aparagem | 20. Rode | 34. Lâmina da tesoura para relva |
| 7. Incline as lâminas | 21. Parafusos | 35. Tampa da lâmina da tesoura para relva |
| 8. Superfície da sebe a aparar | 22. Manivela | 36. Estojo de armazenamento |
| 9. Fio | 23. Lâminas da tesoura | 37. Estrutura |
| 10. Porcas de fixação | 24. Linha de alinhamento básico na armação da ferramenta | 38. Encaixe |
| 11. Apanha-apanas | 25. Pinos | 39. Alavanca de comutação |
| 12. Parafusos nas lâminas da tesoura | 26. Aplique massa lubrificante. | 40. Saliência na estrutura |
| 13. Tampa da lâmina a instalar sempre antes de instalar o apanha-apanas | 27. Parte encastrada da manivela | |
| 14. Escova | 28. Orifícios ovais que estão sobrepostos | |

ESPECIFICAÇÕES

Modelo	UH200D
Comprimento da lâmina	200 mm
Cortes por minuto (min ⁻¹)	1.250
Comprimento total	460 mm
Peso líquido	1,2 kg
Voltagem nominal	CC 10,8 V


- Devido à pesquisa e desenvolvimento constantes, estas especificações estão sujeitas a alteração sem aviso prévio.
- Estas especificações podem diferir de país para país.
- Peso de acordo com procedimento EPTA de 01/2003


Símbolos


END011-3


Descrição dos símbolos utilizados no equipamento.


Certifique-se de que compreende o seu significado, antes da utilização.

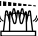
 Tenha um cuidado e atenção especiais.


 Leia o manual de instruções.

 Não exponha a extensão à chuva.

 Cuidado; preste atenção aos objectos projectados.

 Mantenha as pessoas afastadas.

 Cortar significa que continua em funcionamento após o motor ser desligado.

 Cd
Ni-MH
Li-Ion Apenas para países da UE
Não deite equipamentos eléctricos ou a bateria no lixo doméstico!
De acordo com a directiva europeia 2002/96/EC sobre ferramentas eléctricas

e electrónicas usadas, a directiva 2006/66/EC sobre baterias, acumuladores e baterias usadas e a sua aplicação para as leis nacionais, as ferramentas eléctricas e as baterias usadas devem ser recolhidas em separado e encaminhadas a uma instalação de reciclagem dos materiais ecológicos.


Utilização prevista

ENE014-1

A ferramenta destina-se a aparar sebes.

Avisos gerais de segurança para ferramentas eléctricas

GEA010-1

 **AVISO** Leia todos os avisos de segurança e todas as instruções. O não cumprimento dos avisos e instruções pode resultar na ocorrência de choques eléctricos, incêndios e/ou ferimentos graves.

Guarde todos os avisos e instruções para referência futura.

AVISOS DE SEGURANÇA DO APARADOR DE SEBES ELÉCTRICO

GEB062-2

1. **Apenas segure na ferramenta eléctrica pelas superfícies de pega isoladas, uma vez que a lâmina de corte pode tocar em cabos eléctricos escondidos.** As lâminas de corte em contacto com um fio eléctrico ligado à corrente podem electrificar as peças de metal da ferramenta e provocar um choque.
2. **Mantenha todas as partes do corpo longe da lâmina cortante. Não retire material de corte nem pegue no material a cortar quando as lâminas estiverem em funcionamento. Certifique-se de que o interruptor está desligado quando retirar o material encravado.** Um momento de desatenção enquanto utilizar o aparador de sebes poderá resultar em ferimentos pessoais graves.
3. **Transporte o aparador de sebes pela pega com a lâmina cortante parada. Ao transportar ou armazenar o aparador de sebes, instale sempre a tampa do dispositivo de corte.** Um manuseamento adequado do aparador de sebes reduzirá possíveis ferimentos pessoais provocados pelas lâminas cortantes.
4. Não utilize o aparador de sebes na chuva ou em condições molhadas ou muito húmidas. O motor eléctrico não é à prova de água.
5. As pessoas que estejam a utilizar este aparelho pela primeira vez devem pedir a um aparador de sebes com experiência para lhes mostrar como usar o aparador.
6. O aparador de sebes não deve ser utilizado por crianças ou jovens com menos de 18 anos. Os jovens com mais de 16 anos podem estar isentos desta restrição se estiverem a receber formação sob a supervisão de um perito.
7. Use o aparador de sebes apenas se estiver em boas condições físicas. Se estiver cansado, a sua atenção será reduzida. Tenha especial atenção no fim de um dia de trabalho. Efectue todos os trabalhos com calma e cuidado. O utilizador é responsável por todos os danos a terceiros.
8. Nunca use o aparador sob a influência do álcool, drogas ou medicamentos.
9. Certifique-se de que a tensão e frequência da alimentação correspondem às especificações fornecidas na placa de identificação. Recomendamos que utilize um disjuntor alimentado a corrente residual (corta-circuito em caso de falha na terra) com uma corrente de desligar de 30 mA ou menos, ou um protector de corrente de fuga à terra.
10. Luvas de trabalho de pele fazem parte do equipamento básico do aparador de sebes e devem ser sempre usadas quando o operar. Use também sapatos resistentes com solas anti-derrapantes.
11. Antes de começar a trabalhar, certifique-se de que o aparador está em condições de funcionamento boas seguras. Certifique-se de que as guardas estão devidamente instaladas. O aparador de sebes não deve ser usado a menos que esteja devidamente montado.
12. Certifique-se de que está bem equilibrado antes de iniciar a operação.

13. Mantenha a ferramenta segura quando usar a ferramenta.
14. Não utilize a ferramenta sem carga, sem ser necessário.
15. Desligue imediatamente o motor e retire a bateria se o cortador entrar em contacto com uma vedação ou outros objectos duros. Verifique a lâmina cortante e, se estiver danificada, repare-a imediatamente.
16. Antes de verificar a lâmina cortante, reparar avarias ou retirar material preso na lâmina, desligue sempre o aparador e retire a bateria.
17. Desligue o aparador e retire a a bateria antes de efectuar qualquer trabalho de manutenção.
18. Ao mover o aparador de sebes para outro local, incluindo durante o trabalho, retire sempre a bateria. Nunca transporte o aparador com a lâmina de corte em funcionamento. Nunca agarre a lâmina cortante com as suas mãos.
19. Limpe o aparador de sebes e especialmente a lâmina cortante após a utilização, e antes de colocar o aparador em armazenamento durante períodos alargados. Lubrifique ligeiramente a lâmina de corte e coloque a cobertura. A cobertura fornecida com a unidade pode ser pendurada na parede, fornecendo uma forma prática de guardar o aparador de sebes.
20. Guarde o aparador de sebes com a cobertura colocada, num local seco. Mantenha-o fora do alcance de crianças. Nunca guarde o aparador no exterior.

GUARDE ESTAS INSTRUÇÕES.

⚠ AVISO:

NÃO deixe que o conforto ou a familiaridade com o produto (adquirida de uma utilização frequente) substitua o respeito total pelas regras de segurança para utilização do produto. A UTILIZAÇÃO INCORRECTA ou o não cumprimento das regras de segurança fornecidas neste manual de instruções podem provocar ferimentos graves.

AVISOS DE SEGURANÇA PARA A TESOURA PARA RELVÁ SEM FIOS

GEB070-2

⚠ AVISO! IMPORTANTE LEIA ATENTAMENTE todos os avisos de segurança e todas as instruções ANTES DA UTILIZAÇÃO. O não cumprimento dos avisos e instruções pode resultar na ocorrência de choques eléctricos, incêndios e/ou ferimentos graves.

Guarde todos os avisos e instruções para referência futura.

Instruções gerais

1. Para assegurar um funcionamento correcto, certifique-se de que lê e entende este manual de instruções para saber como se utiliza o equipamento. Utilizar este equipamento sem entender como operá-lo correctamente pode resultar em ferimentos graves em si ou em outros.
2. Nunca permita que pessoas que desconhecem estas instruções, pessoas (incluindo crianças) com capacidades físicas, sensoriais ou mentais reduzidas

- ou falta de experiência e conhecimento, utilizem o equipamento. As regulamentações locais podem restringir a idade do operador.
- Utilize o equipamento com o máximo de cuidado e atenção.
 - Opere o equipamento apenas se estiver em boas condições físicas. Efectue todos os trabalhos com calma e cuidado. Tenha bom senso e lembre-se que o operador ou o utilizador é responsável pelos acidentes ou perigos que ocorrem a outras pessoas ou à sua propriedade.
 - Nunca utilize a máquina com pessoas, especialmente, crianças ou animais por perto.
 - Nunca utilize o equipamento após o consumo de álcool ou drogas, ou se estiver cansado ou doente.
 - O motor deve ser desligado imediatamente, caso o equipamento demonstre qualquer problema ou sinal anormal.
 - Desligue e retire a bateria quando descansar e quando abandonar o equipamento sem supervisão e coloque-a num local seguro para evitar perigos para terceiros ou danos no equipamento.
 - Não force o equipamento, irá efectuar melhor o trabalho e com menos probabilidade de ferimentos à velocidade para a qual foi concebido.
 - Não perca a postura correcta. Mantenha-se sempre bem equilibrado e apoiado.

Equipamento de protecção pessoal

- Vista-se de forma adequada. Utilize sempre roupas que sejam funcionais e apropriadas ao seu trabalho, isto é, que fiquem justas mas não demasiado apertadas ao ponto de causar um movimento desconfortável. Não use joalheria ou roupa que possa ficar presa. Caso tenha cabelo comprido utilize equipamento adequado para o prender.
- Use sempre protecção ocular e calçado robusto quando utiliza a máquina.

Segurança eléctrica e de bateria

- Evite ambientes perigosos. Não utilize o equipamento em locais húmidos nem o exponha à chuva. A entrada de água num equipamento aumentará o risco de choques eléctricos.
- Recarregue apenas com o carregador especificado pelo fabricante. Um carregador adequado para um tipo de bateria pode criar um risco de incêndio quando utilizado com outra bateria.
- Utilize ferramentas eléctricas apenas com baterias especificamente concebidas. A utilização de qualquer outra bateria pode criar um risco de ferimentos e incêndios.
- Quando a bateria não estiver a ser utilizada, mantenha-a afastada de objectos metálicos como, por exemplo, cliques, moedas, chaves, pregos, parafusos ou outros pequenos objectos metálicos que possam fazer a ligação entre terminais. Provocar um curto-circuito nos terminais da bateria pode causar queimaduras ou um incêndio.
- Sob condições abusivas, poderá ser ejectado líquido da bateria; evite o contacto. Se ocorrer acidentalmente um contacto, lave com água. Se o líquido entrar em contacto com os olhos, consulte um médico. O líquido ejectado da bateria pode causar irritação ou queimaduras.

- Não elimine a(s) bateria(s) num incêndio. A célula pode explodir. Consulte os códigos locais para possíveis instruções de eliminação especiais.
- Não abra nem desmonte a(s) bateria(s). O electrólito libertado é corrosivo e pode causar danos nos olhos ou na pele. Se engolido, pode ser tóxico.

Ligar o equipamento

- Certifique-se de que não existem crianças ou outras pessoas por perto, tome também atenção a quaisquer animais que se encontrem na zona de trabalho. Caso contrário, não utilize o equipamento.
- Antes da utilização, certifique-se sempre de que o equipamento está seguro. Verifique a segurança da ferramenta de corte, o resguardo e o gatilho/alavanca para uma acção fácil e adequada. Certifique-se de que as pegas estão limpas e secas e de que o dispositivo de arranque/paragem está a funcionar correctamente.
- Verifique as peças danificadas antes de nova utilização do equipamento. Um resguardo ou outra peça danificada, verifique-o com cuidado para se certificar de que funciona correctamente. Verifique o alinhamento das peças móveis, união das peças móveis, se há peças partidas, a sua montagem e outras condições que possam afectar o funcionamento da ferramenta. Um resguardo ou outra peça danificada deve ser reparado convenientemente ou substituído pelo nosso agente autorizado a não ser que este manual indique o contrário.
- Ligue o motor apenas quando as mãos e os pés estiverem afastados da ferramenta de corte.
- Antes de ligar, certifique-se de que a ferramenta de corte não entra em contacto com quaisquer objectos.

Método de funcionamento

- Utilize o equipamento apenas com boa luz e visibilidade. Durante a época de Inverno, tenha cuidado com áreas escorregadias ou molhadas, gelo e neve (risco de escorregar). Certifique-se sempre de que tem um apoio seguro.
- Previna-se contra ferimentos nos pés e nas mãos provocados pela ferramenta de corte.
- Nunca utilize o equipamento em cima de uma escada.
- Nunca trepe árvores para efectuar uma operação de corte com o equipamento.
- Nunca trabalhe em superfícies instáveis.
- Remova areia, pedras, pregos, etc. encontrados na área de trabalho. Partículas estranhas podem danificar a ferramenta de corte e causar recuos perigosos.
- Caso a ferramenta de corte atinja pedras ou outros objectos duros, desligue imediatamente o motor e inspeccione a ferramenta de corte.
- Inspeccione a ferramenta de corte em intervalos curtos regulares para se certificar de que não está danificada (detecção de fissuras utilizando o teste do toque).
- Antes de começar a cortar, certifique-se de que a ferramenta de corte atingiu a velocidade de funcionamento completa.
- A ferramenta de corte tem de estar equipada com o resguardo apropriado. Nunca utilize o equipamento com resguardos danificados ou sem os resguardos instalados!

11. Todas as instalações de protecção e resguardos fornecidos com este equipamento devem ser usados durante o funcionamento.
12. Retire sempre a bateria do equipamento.
 - sempre que deixar o equipamento sem supervisão;
 - antes de eliminar um bloqueio;
 - antes de verificar, limpar ou efectuar reparações no equipamento;
 - após bater num objecto estranho;
 - sempre que o equipamento começar a vibrar de forma estranha.
13. Certifique-se sempre de que as aberturas de ventilações estão isentas de detritos.

Ferramentas de corte

1. Utilize apenas a ferramenta de corte correcta para o trabalho a efectuar.

Instruções de manutenção

1. O estado do equipamento, em particular da ferramenta de corte dos dispositivos de protecção e tem de ser verificado antes de iniciar o trabalho.
2. Desligue o motor e retire a bateria antes de efectuar a manutenção, substituindo as ferramentas de corte ou limpando o equipamento ou a ferramenta de corte.
3. Verifique os fixadores soltos e as peças danificadas, tal como fissuras, no acessório de corte.
4. Siga as instruções para lubrificar e mudar acessórios.
5. Quando não for utilizado, guarde o equipamento no interior num local seco, alto e fechado, fora do alcance das crianças. Limpe e efectue a manutenção antes do armazenamento.
6. Utilize apenas as peças e acessórios de substituição recomendados pelo fabricante.
7. Inspeccione e efectue a manutenção do equipamento regularmente, especialmente antes/depois da utilização. Efectue as reparações do equipamento apenas num centro de assistência autorizado.
8. Mantenha as pegas secas, limpas e sem óleo ou gordura.

GUARDE PARA REFERÊNCIA FUTURA

⚠ AVISO:

NÃO deixe que o conforto ou a familiaridade com o produto (adquirida de uma utilização frequente) substitua o respeito total pelas regras de segurança para utilização do produto. **A UTILIZAÇÃO INCORRECTA** ou o não cumprimento das regras de segurança fornecidas neste manual de instruções podem provocar ferimentos graves.

INSTRUÇÕES DE SEGURANÇA IMPORTANTES

ENB007-4

RELATIVAS À BATERIA

1. Antes de utilizar a bateria, leia as instruções e chamadas de atenção de: (1) o carregador da bateria, (2) a bateria e (3) o produto que utiliza a bateria.
2. Não desmonte a bateria.
3. Se o tempo de utilização com a bateria se tornar demasiado curto, deve parar imediatamente. Se

continuar, pode causar sobreaquecimento, incêndio e mesmo explosão.

4. Se o electrólito entrar em contacto com os olhos, enxague-os com água limpa e consulte imediatamente um médico. Os riscos incluem perda de visão.
5. Não provoque um curto-circuito na bateria:
 - (1) Não deixe que quaisquer materiais condutores entrem em contacto com os terminais da bateria.
 - (2) Evite guardar a bateria juntamente com outros objectos de metal como moedas, por exemplo.
 - (3) Não exponha a bateria a água ou chuva. Um curto-circuito na bateria pode criar uma grande carga eléctrica, sobreaquecimento, fogo e uma quebra da corrente.
6. Não guarde a ferramenta e a bateria em locais onde a temperatura possa atingir ou exceder 50°C.
7. Não incinere a bateria, nem mesmo se esta estiver irremediavelmente danificada ou completamente gasta. Pode explodir e causar um incêndio.
8. Não a deixe cair e evite o choque com outros objectos.
9. Não utilize baterias que tenham caído ou sofrido choques.

GUARDE ESTAS INSTRUÇÕES.

Sugestões para o máximo de tempo de vida da bateria

1. Não espere que a bateria se gaste completamente para voltar a carregá-la. Pare a ferramenta e carregue a bateria sempre que detectar um baixo nível de energia.
2. Nunca volte a carregar uma bateria já completamente carregada. O carregamento excessivo diminui o tempo de vida das baterias.
3. Carregue a bateria em locais onde a temperatura se situe entre 10°C e 40°C (50°F - 104°F). Se a bateria estiver quente, deixe-a arrefecer antes de iniciar o carregamento.

DESCRIÇÃO DO FUNCIONAMENTO

⚠ PRECAUÇÃO:

- Certifique-se sempre de que a ferramenta está desligada e que a bateria foi removida antes de proceder a ajustes ou testar acessórios.

Inserir ou retirar a bateria (Fig. 1)

- Sempre que for inserir ou retirar a bateria, desligue a ferramenta.
- Para retirar a bateria, puxe-a para fora ao mesmo tempo que prime os botões em ambos os lados do cartucho.
- Para introduzir a bateria, segure-a de maneira a que a forma dianteira da bateria encaixe na abertura do orifício da bateria. Insira-a completamente até fixar em posição com um clique. Caso contrário, pode cair da ferramenta e causar ferimentos em si, ou em alguém que esteja perto de si.

- Não exerça força ao inserir a bateria. Se não encaixar facilmente é porque não está correctamente posicionada.

Ação do interruptor (Fig. 2)

⚠ PRECAUÇÃO:

- Antes de inserir a pilha na ferramenta, verifique se o gatilho está a funcionar correctamente e se regressa à posição "OFF" quando o solta.

Para evitar que o gatilho seja acidentalmente puxado, é fornecido botão de bloqueio.

Luz indicadora	Estado	Ação a efectuar
A luz pisca a vermelho.	Isto indica o tempo adequado para substituir a bateria quando a carga da bateria estiver fraca.	Recarregue a bateria assim que possível.
A luz acende-se a vermelho. (Nota 1)	Esta função é activada quando a carga da bateria está praticamente gasta. A este ponto, a ferramenta pára imediatamente.	Recarregue a bateria.
A luz acende-se a vermelho. (Nota 1)	Paragem automática devido a sobrecarga.	Desligue a ferramenta.

Nota 1: O momento em que a luz indicadora acende, varia de acordo com a temperatura em redor da área de trabalho e de acordo com as condições da bateria.

FUNCIONAMENTO

Consulte as Instruções de segurança antes da utilização.

⚠ PRECAUÇÃO:

- Tenha cuidado para não entrar em contacto, acidentalmente, com uma vedação de metal ou outros objectos duros ao aparar. A lâmina quebrará e poderá causar ferimentos graves.
- Além disso, tenha cuidado para a lâmina da tesoura não entrar em contacto com o solo.
- Estender-se com um aparador de sebes, especialmente de uma escada, é muito perigoso. Não trabalhe em cima de superfícies instáveis ou desequilibradas. (Fig. 4)

Não tente cortar ramos com um diâmetro superior a 10 mm com este aparador. Estas devem ser cortadas primeiro com tesouras para o nível de aparagem da sebe.

⚠ PRECAUÇÃO:

- Não corte árvores mortas ou objectos duros semelhantes. Caso contrário poderá danificar a ferramenta.
- Não apare a relva ou ervas daninhas durante a utilização da lâmina da tesoura para sebes. A lâmina da tesoura pode ficar presa na relva ou ervas daninhas. (Fig. 5)

Segure o aparador com uma mão, pressione o botão de bloqueio e puxe o gatilho e, de seguida, desloque-o à frente do seu corpo. (Fig. 6)

Como operação básica, incline as lâminas para a direcção da aparagem e mova-as calma e lentamente a uma velocidade de 3 - 4 segundos por metro. (Fig. 7)

Para iniciar a ferramenta, pressione o botão de bloqueio e puxe o gatilho. Para parar a ferramenta, solte o gatilho. O botão de bloqueio pode ser premido a partir do lado direito ou esquerdo.

Luz indicadora (Fig. 3)

Colocar a ferramenta em funcionamento permite à luz indicadora mostrar o estado de capacidade da bateria. Além disso, quando a ferramenta é sobrecarregada e parou durante o funcionamento, a luz acende-se a vermelho.

Consulte a tabela seguinte para o estado e acção a tomar relativamente à luz indicadora.

Para cortar o topo de uma sebe de igual forma, ajuda se atar um fio à altura da sebe desejada e se aparar ao longo dele, usando-o como linha de referência. (Fig. 8) Prender o apanha-apanas (acessório) na ferramenta quando aparar a sebe a direito pode evitar que folhas cortadas sejam deitadas fora. (Fig. 9)

Para cortar um lado da sebe de forma igual, ajuda cortar do fundo para o topo. (Fig. 10)

Apare o buxo e rododendro da base para o topo para um aspecto agradável e um bom trabalho.

Instalar ou remover o apanha-apanas (acessório)

⚠ PRECAUÇÃO:

- Certifique-se sempre de que a ferramenta está desligada e a bateria removida antes de instalar ou retirar o apanha-apanas.

NOTA:

- Ao substituir o apanha-apanas, use sempre luvas para que as mãos e face não entrem em contacto directo com a lâmina. Caso contrário, poderá causar ferimentos.
- Ao substituir o apanha-apanas, tenha sempre cuidado para não entrar em contacto com as lâminas da tesoura.
- O apanha-apanas recebe as folhas cortadas e alivia a recolha das folhas deitadas fora. Pode ser instalado de qualquer dos lados. (Fig. 11)

Coloque o apanha-apanas nas lâminas da tesoura para que as suas fendas se sobreponham aos parafusos nas lâminas da tesoura e fixe-o utilizando duas porcas de fixação.

Para retirar o apanha-apanas, desaperte e retire as duas porcas de fixação e, de seguida, retire-o.

MANUTENÇÃO

PRECAUÇÃO:

- Certifique-se sempre de que a ferramenta está desligada e a bateria removida antes de efectuar operações de inspecção ou de manutenção.

Limpar a ferramenta

Limpe a ferramenta retirando o pó com um pano seco ou embebido em sabão.

PRECAUÇÃO:

- Nunca utilize gasolina, benzina, diluente, álcool ou semelhante. Podem formar-se descolorações, deformações ou fissuras.

Manutenção da lâmina da tesoura (Fig. 12)

Unte a lâmina antes e uma vez por hora durante a operação usando óleo da máquina ou semelhantes.

(Fig. 13)

Depois do funcionamento, retire o pó de ambos os lados com uma escova de arame, limpe-a com um pano e depois aplique óleo de viscosidade baixa como óleo da máquina, etc. e óleo lubrificante do tipo spray.

PRECAUÇÃO:

- Não lave as lâminas com água. Se o fizer, a ferramenta poderá ficar enferrujada ou danificada.

Remover ou instalar as lâminas da tesoura para sebes

PRECAUÇÃO:

- Antes de retirar ou instalar as lâminas da tesoura, certifique-se sempre de que a ferramenta está desligada e a bateria removida.
- Ao substituir as lâminas da tesoura, use sempre luvas sem remover a tampa da lâmina para que as mãos e face não entrem em contacto directo com a lâmina. Caso contrário, poderá causar ferimentos.

NOTA:

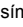

- Não limpe a gordura da engrenagem e da manivela. Caso contrário poderá danificar a ferramenta.
- Para uma forma específica de remover e instalar lâminas da tesoura, consulte o inverso de uma embalagem para lâminas da tesoura de acessório.

Retirar as lâminas da tesoura para sebes (Fig. 14)

PRECAUÇÃO:

- Instale a tampa da lâmina antes de retirar ou instalar as lâminas da tesoura.

Inverta a ferramenta. (Fig. 15)

Para retirar as lâminas da tesoura, pressione a alavanca de comutação e com a alavanca de comutação pressionada, rode a tampa inferior para a esquerda até o símbolo  na parte inferior estar alinhado com o símbolo  na alavanca de bloqueio. (Fig. 16)

Retire a tampa inferior da ferramenta. (Fig. 17)

Desaperte dois parafusos com uma moeda ou algo do género e retire as lâminas da tesoura.

NOTA:

- Não retire os parafusos. Sem retirar os parafusos desapertados, as lâminas da tesoura podem ser retiradas. (Fig. 18)

Retire a manivela das lâminas da tesoura.

NOTA:

- A manivela pode permanecer na ferramenta.

Instalar as lâminas da tesoura para sebes (Fig. 19)

Prepare a manivela, a tampa inferior e novas lâminas da tesoura. (Fig. 20)

Ajuste a posição de três cavilhas de engate de modo a que estas três cavilhas estejam alinhadas com a linha de alinhamento básico na armação da ferramenta. (Fig. 21)



Encaixe a manivela nas cavilhas de engate com a parte encastrada virada para baixo. A este ponto, aplique uma pequena quantidade de massa lubrificante à periferia da manivela utilizando massa lubrificante fornecida com as lâminas da tesoura ou que resta no interior da armação. (Fig. 22)



Sobreponha o orifício oval na lâmina superior ao da inferior. Desloque as lâminas da tesoura de modo a que o orifício na placa da base das lâminas da tesoura esteja posicionado no centro destes orifícios ovais sobrepostos. (Fig. 23)

Retire a cobertura da lâmina das lâminas da tesoura antigas e instale-a nas novas para um fácil manuseamento durante a substituição das lâminas. (Fig. 24)

Vire as lâminas da tesoura ao contrário e instale-as de modo a que o pino na ferramenta encaixe no orifício nas lâminas da tesoura. Encaixe e parte dobrada da placa da base das lâminas da tesoura na ranhura na armação da ferramenta. De seguida, certifique-se de que a placa da base das lâminas da tesoura está bem instalada. (Fig. 25)

Aperte bem dois parafusos com uma moeda ou algo do género. (Fig. 26)

Coloque a tampa inferior de modo a que o símbolo  na tampa inferior esteja alinhado com o símbolo  na alavanca de bloqueio. (Fig. 27)

Pressione a tampa inferior para baixo e com a tampa inferior pressionada, rode a tampa inferior para a direita até o símbolo  na etiqueta estar alinhado com o símbolo  na alavanca de bloqueio (a tampa inferior está completamente bloqueada). (Fig. 28)

A este ponto, certifique-se de que a alavanca de bloqueio encaixa na ranhura na tampa inferior.

PRECAUÇÃO:

- Nunca utilize a ferramenta sem a tampa inferior instalada.

Retire a tampa da lâmina e depois ligue a ferramenta para verificar se funciona devidamente.

NOTA:

- Quando as lâminas da tesoura não funcionam devidamente, a instalação entre as lâminas e a manivela é fraca. Volte a fazer do início.

Armazenamento (Fig. 29)

O orifício do gancho no fundo da ferramenta é conveniente para pendurar a ferramenta num prego ou parafuso na parede.

Coloque a cobertura da lâmina nas lâminas de corte para que as lâminas não fiquem expostas. Mantenha a ferramenta fora do alcance das crianças, com cuidado. Guarde a ferramenta num local que não esteja exposto a água e chuva.

Para manter os níveis de SEGURANÇA e FIABILIDADE, as reparações, inspecção e substituição das escovas de carvão e outras operações de manutenção ou ajuste devem ser executadas por centros de assistência Makita autorizados e, no caso de substituição de peças, estas devem ser igualmente peças originais Makita.

ACESSÓRIOS

PRECAUÇÃO:

- Os seguintes acessórios ou extensões são os recomendados para utilizar com a ferramenta Makita especificada neste manual. A utilização de quaisquer outros acessórios poderá representar um risco de ferimento para as pessoas. Apenas utilize o acessório para o fim indicado.

Se precisar de informações adicionais relativas aos acessórios, contacte o centro local de assistência Makita.

- Tampa da lâmina da tesoura para sebes
- Conjunto da lâmina da tesoura para sebes
- Apanha-apanhas para aparar sebes
- Bateria e carregador genuínos da Makita

Para utilização da tesoura para relva eléctrica (Fig. 30)

Esta ferramenta pode ser utilizada como uma tesoura para relva utilizando a lâmina da tesoura para relva (acessório opcional) e conjunto de reposição de 2 vias. Para utilizar esta ferramenta como uma tesoura para relva, é necessário substituir as lâminas da tesoura para sebes pelas lâminas da tesoura para relva.

Para retirar as lâminas do aparador de sebes, consulte a secção mencionada intitulada “Retirar as lâminas da tesoura para sebes”.

Para instalar a lâmina da tesoura para relva, consulte a secção abaixo intitulada “Instalar ou retirar as lâminas da tesoura para relva”.

- Conjunto da lâmina da tesoura para relva (para Tesoura para relva)
- Conjunto de reposição de 2 vias composto pelos três acessórios seguintes
- Tampa da lâmina da tesoura para relva (para Tesoura para relva)
- Estojo de armazenamento (para secção inferior da lâmina)
- Estrutura (para Tesoura para relva)
- Acessório de pega longa (para Tesoura para relva)

MONTAGEM

PRECAUÇÃO:

- Certifique-se sempre de que a ferramenta está desligada e a bateria removida, antes de efectuar qualquer operação na ferramenta.

Instalar ou retirar a tampa da lâmina (Fig. 31 e 32)

PRECAUÇÃO:

- Tenha cuidado para não entrar em contacto com a lâmina da tesoura quando instalar ou retirar a tampa da lâmina. Contactar a lâmina da tesoura pode causar ferimentos pessoais.

Deslize a tampa da lâmina a partir do lado da ferramenta até a lâmina da tesoura se esconder e, de seguida, empurre-a ligeiramente a direcção da ferramenta a partir da frente.

Para remover a tampa da lâmina, siga o procedimento de instalação acima de forma inversa.

Instalar ou retirar lâminas da tesoura para relva

PRECAUÇÃO:

- Certifique-se sempre de que a ferramenta está desligada e a bateria removida antes de instalar ou retirar as lâminas da tesoura. Caso não desligue e retire a bateria da ferramenta, pode sofrer ferimentos graves devido a arranque acidental.
- Ao substituir a lâmina da tesoura, use sempre luvas sem remover a tampa da lâmina para que as mãos e face não entrem em contacto directo com a lâmina. Caso contrário, poderá causar ferimentos.

NOTA:

- Não limpe a gordura da engrenagem e da manivela. Caso contrário poderá danificar a ferramenta.
- Para uma forma específica de remover e instalar lâminas da tesoura, consulte o inverso de uma embalagem para lâminas da tesoura de acessório. (Fig. 33)

Para instalar a lâmina da tesoura para relva, prepare a manivela, tampa inferior e nova lâmina da tesoura para relva. (Fig. 34)

Retire a cobertura da lâmina das lâminas da tesoura antigas e instale-a nas novas para um fácil manuseamento durante a substituição das lâminas.

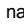
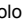
(Fig. 35)


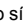
Ajuste a posição de três cavilhas de engate para que estas cavilhas estejam alinhadas no ângulo correcto em relação à linha de alinhamento básico na armação da ferramenta. (Fig. 36)

Encaixe a manivela nas cavilhas de engate com a parte encastrada virada para cima. A este ponto, aplique uma pequena quantidade de massa lubrificante à periferia da manivela utilizando massa lubrificante fornecida com as lâminas da tesoura ou que resta no interior da armação. (Fig. 37)

Sobreponha o orifício oval na lâmina superior ao da inferior. Desloque as lâminas da tesoura de modo a que o orifício na placa da base das lâminas da tesoura esteja posicionado no centro destes orifícios ovais sobrepostos. (Fig. 38)

Vire as lâminas da tesoura ao contrário e instale-as de modo a que as cavilhas de engate na ferramenta encaixem no orifício nas lâminas da tesoura. Certifique-se de que as lâminas da tesoura estão bem instaladas ao máximo na placa da base. (Fig. 39)

Coloque a tampa inferior de modo a que o símbolo  na tampa inferior esteja alinhado com o símbolo  na alavanca de bloqueio. (Fig. 40)

Pressione a tampa inferior para baixo e com a tampa inferior pressionada, rode a tampa inferior para a direita até o símbolo  na etiqueta estar alinhado com o símbolo  na alavanca de bloqueio (a tampa inferior está completamente bloqueada). (Fig. 41)

A este ponto, certifique-se de que a alavanca de bloqueio encaixa na ranhura na tampa inferior.

Retire a tampa da lâmina e depois ligue a ferramenta para verificar se funciona devidamente.


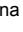
NOTA:

- Quando as lâminas da tesoura não funcionam devidamente, a instalação entre as lâminas e a manivela é fraca. Volte a fazer do início. (Fig. 42)

Retire a estrutura e coloque a ferramenta ao contrário.

PRECAUÇÃO:

- Antes de colocar a ferramenta ao contrário, certifique-se de que retira a estrutura. (Fig. 43)

Para retirar a lâmina da tesoura, pressione a alavanca de comutação e com a alavanca de comutação pressionada, rode a tampa inferior para a esquerda até o símbolo  na parte inferior estar alinhado com o símbolo  na alavanca de bloqueio. (Fig. 44)

Retire da ferramenta a tampa inferior, lâmina da tesoura e manivela por ordem. (Fig. 45)

NOTA:

- Na utilização de 2 vias, a lâmina da tesoura para relva retirada, necessitam de ser laminadas no estojo de armazenamento da lâmina e, de seguida, guardadas para utilização futura.

Instalar ou retirar a estrutura

PRECAUÇÃO:

- Antes de instalar ou retirar a estrutura, certifique-se de que instala a tampa da lâmina.
- Quando instalar ou retirar a estrutura, tome atenção para os seus dedos não ficarem entalados entre a ferramenta e a estrutura. (Fig. 46)

Para retirar a estrutura, levante a ferramenta e retire-a da ranhura segurando pela parte inferior. (Fig. 47)

Para instalar a estrutura, encaixe a saliência da estrutura perto da alavanca de comutação no orifício para a definição de altura de corte da relva. Com a estrutura instalada, puxe a parte inferior da mesma e encaixe a outra parte da estrutura na ranhura na ferramenta.

Ajustar a altura de corte (Fig. 48)

Alterar a posição da alavanca de comutação permite três definições para a altura de corte da relva (10 mm, 15 mm, 25 mm).

Para alterar a definição, incline a alavanca de comutação para a posição da estrutura e com a alavanca de comutação inclinada, desloque-a para cima ou para baixo ao longo da superfície da ferramenta até a saliência na estrutura encaixar num dos orifícios na ferramenta e solte-a.

FUNCIONAMENTO

AVISO:

- Mantenha as mãos afastadas das lâminas.

PRECAUÇÃO:

- Unte a lâmina antes e uma vez por hora durante a operação usando óleo da máquina ou semelhantes.
- Evite utilizar a ferramenta sob a luz solar forte o máximo possível. Quando utilizar a ferramenta, tenha cuidado com as suas condições físicas. (Fig. 49)

Ligue a ferramenta após ajustar a altura de corte e segure-a de modo a que a base da ferramenta fique

assente no chão. De seguida, desloque suavemente a ferramenta para a frente na área a cortar. (Fig. 50) Quando aparar em torno de passeios, cercas ou árvores, desloque a ferramenta ao longo dos mesmos. Tenha cuidado para a lâmina não entrar em contacto com estes. (Fig. 51)

Quando aparar couves ou folhagem de uma árvore pequena, retire a estrutura da ferramenta e corte aos poucos.

Corte previamente ramos grandes à altura pretendida utilizando tesouras de poda antes de utilizar esta ferramenta.

PRECAUÇÃO:

- Quando aparar galhos e folhagem, não tente aparar demasiado de uma só vez. Proceda suavemente. Além disso, não tente cortar ramos espessos.
- Não permita que as lâminas da tesoura entrem em contacto com o solo durante o funcionamento. As lâminas ficarão fracas, causando um mau desempenho.
- Não apare relva ou folhagem molhada de árvores pequenas.

Ruído

ENG104-2

Os níveis acústicos ponderados A típicos foram determinados segundo a EN60745:

Nível de pressão sonora (L_{pA}): 73,7 dB (A)

Incerteza (K): 2,5 dB (A)

O nível de ruído quando em funcionamento pode exceder os 80 dB (A).

Use protecção para os ouvidos.

Vibração

ENG244-1

O valor de emissão das vibrações determinado de acordo com a EN60745:

Emissão de vibração (a_{h1}): 2,5 m/s² ou menos

Incerteza (K): 1,5 m/s²

ENG901-1

- O valor da emissão de vibração declarado foi medido de acordo com o método de teste padrão e pode ser utilizado para comparar uma ferramenta com outra.
- O valor da emissão de vibração declarado pode também ser utilizado numa avaliação preliminar de exposição.

AVISO:

- A emissão de vibração durante a utilização real da ferramenta eléctrica pode ser diferente do valor de emissão declarado, dependendo da forma como a ferramenta é utilizada.
- Certifique-se de que identifica medidas de segurança, para proteger o operador, que são baseadas numa estimativa de exposição nas condições reais de utilização (tendo em conta todas as partes do ciclo de funcionamento, como as vezes que a ferramenta é desligada e quando está a trabalhar ao ralenti, além do tempo de utilização).

Declaração de conformidade CE

A Makita Corporation, na qualidade do fabricante responsável, declara que a(s) máquina(s) Makita seguinte(s):

Designação da máquina:

Aparador de cerca viva a bateria

N.º de modelo/Tipo: UH200D

Especificações: consulte a tabela

“ESPECIFICAÇÕES”.

são produzidas em série e

estão em conformidade com as Directivas Europeias seguintes:

2000/14/EC, 2006/42/EC

E são fabricadas de acordo com as normas ou os documentos padronizados seguintes:

EN60745

A documentação técnica é mantida pelo nosso representante autorizado na Europa, que é:

Makita International Europe Ltd.,

Michigan, Drive, Tongwell,

Milton Keynes, MK15 8JD, Inglaterra

O procedimento de avaliação da conformidade requisitado pela Directiva 2000/14/EC estava em conformidade com o anexo V.

Nível de potência sonora medida: 81,8 dB

Nível de potência sonora garantida: 84 dB

27 de Agosto de 2009



Tomoyasu Kato
Director

Makita Corporation
3-11-8, Sumiyoshi-cho,
Anjo, Aichi, JAPAN

DANSK (Originalvejledning)

Forklaring til generel oversigt

- | | | |
|---|---------------------------------------|-------------------------------------|
| 1. Batteripakke | 14. Børste | 29. Hul i bundpladen på knive |
| 2. Knap | 15. Maskinolie | 30. Bundplade |
| 3. Sikringsknap | 16. Knivhylster | 31. Bøjlet del i knivenes bundplade |
| 4. Afbryderkontakt | 17. Underdæksel | 32. Rille i underdækslet |
| 5. Indikatorlampe | 18. Låsearm | 33. Hul til ophængning |
| 6. Klipperetning | 19. Tryk | 34. Græsklipningskniv |
| 7. Hold knivene på skrå | 20. Drej | 35. Hylster til græsklipningskniv |
| 8. Den hækkeoverflade der skal klippes | 21. Skruer | 36. Opbevaringskasse |
| 9. Snor | 22. Krumtap | 37. Bundramme |
| 10. Spændemøtrikker | 23. Knive | 38. Rille |
| 11. Flisopsamlers | 24. Grundjusteringslinje på maskinhus | 39. Skiftearm |
| 12. Skruer på knivene | 25. Stifter | 40. Fremspring på bundramme |
| 13. Knivhylster som altid skal monteres, inden flisopsamlers monteres | 26. Påfør fedt. | |
| | 27. Forsænket del af krumtap | |
| | 28. Ovale huller som overlappes | |

SPECIFIKATIONER

Model	UH200D
Knivlængde	200 mm
Klip pr. minut (min ⁻¹)	1.250
Længde i alt	460 mm
Nettovægt	1,2 kg
Nominal spænding	10,8 V DC


- På grund af vores løbende forsknings- og udviklingsprogram kan specifikationerne heri ændres uden forudgående varsel.
- Specifikationerne kan variere fra land til land.
- Vægt i henhold til EPTA-procedure 01/2003

Symboler


END011-3


Følgende viser de symboler, der benyttes til udstyret. Vær sikker på, at du forstår deres betydning, før du bruger maskinen.

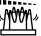
 Vær særlig forsigtig og opmærksom.

 ... Læs brugsanvisningen.

 Udsæt den ikke for regn.

 Fare; pas på udkastede genstande.

 Hold andre tilstedeværende på afstand.

 Skæreredskaber fortsætter med at køre, efter motoren er slukket.

 Kun for EU-lande
Elektrisk udstyr eller batteripakke må ikke bortskaffes sammen med almindeligt affald!

I henhold til det europæiske direktiv 2002/96/EF om bortskaffelse af

elektriske og elektroniske produkter, 2006/66/EF om batterier og akkumulatører og bortskaffelse af batterier og akkumulatører og deres implementering under gældende national lovgivning skal brugt elektrisk udstyr og batteripakker, der har udtjent deres levetid, indsamles separat og returneres til miljøgodkendt genindvinding.


Tilsigtet anvendelse

ENE014-1

Maskinen er beregnet til klipping af hække.

Generelle sikkerhedsadvarsler for maskiner

GEA010-1

 **ADVARSEL Læs alle sikkerhedsadvarsler og alle instruktioner.** Hvis De ikke følger alle advarsler og instruktioner, kan det medføre elektrisk stød, brand og/eller alvorlig personskade.

Gem alle advarsler og instruktioner til senere reference.

SIKKERHEDSADVARSLER FOR BATTERIDREVET HÆKKEKLIPPER

GEB062-2

1. **Hold kun maskinen i de isolerede gribeflader, da knivene kan komme i kontakt med skjulte ledninger.** Hvis knivene kommer i kontakt med en strømførende ledning, kan udsatte metaldele på maskinen blive strømførende, hvorved operatøren kan få elektrisk stød.
2. **Hold alle kroppsdele på afstand af knivene. Fjern ikke afskåret materiale og hold ikke på materiale, der skal skæres af, mens knivene arbejder. Sørg for, at kontakten er slukket, når du fjerner materiale, der har sat sig fast.** Ved brug af en hækkeklipper kan et enkelt øjeblik uopmærksomhed medføre alvorlige personskader.
3. **Bær hækkeklipperen i håndtaget med stoppede knive. Sæt altid knivhylsteret på, når du transporterer eller opbevarer hækkeklipperen.** Korrekt håndtering af hækkeklipperen reducerer risikoen for personskader pga. kontakt med knivene.
4. Benyt ikke hækkeklipperen i regnvejr eller under våde eller meget fugtige forhold. Den elektriske motor er ikke vandtæt.
5. Førstegangsbrugere bør få vist hvordan hækkeklipperen skal bruges af en erfaren person.
6. Hækkeklipperen må ikke anvendes af børn eller unge under 18 år. Unge på mindst 16 år er muligvis undtaget fra denne regel, hvis de er under oplæring under opsyn af en ekspert.
7. Brug kun hækkeklipperen hvis du er ved godt helbred. Hvis du er træt, reduceres din koncentrationsevne. Vær især opmærksom sidst på arbejdsdagen. Udfør alt arbejde roligt og forsigtigt. Brugeren er ansvarlig for alle skader på tredjejerter.
8. Du må aldrig anvende hækkeklipperen under påvirkning af alkohol, narkotika eller medicin.
9. Kontroller, at spændingen og frekvensen på strømforsyningen svarer til de specifikationer, der er angivet på identifikationspladen. Vi anbefaler brug af en fejlstrømsafbryder (RCCB) (fejlstrømsafbryder (GFCI)) med en udløsningsstrøm på 30 mA eller mindre, eller en fejlstrømsafbryder (ELCB).
10. Arbejdshandsker af stærkt læder er en del af basisudstyret til hækkeklipperen og skal altid anvendes, når du arbejder med den. Brug også solide sko med skridsikre såler.
11. Inden du starter, skal du kontrollere, at hækkeklipperen er i god stand og sikker at arbejde med. Sikr dig, at afskærmningerne er ordentligt monterede. Hækkeklipperen må ikke anvendes med mindre den er helt samlet.
12. Sørg for, at du har et sikkert fodfæste, inden du starter på arbejdet.
13. Hold ordentligt fast på værktøjet under brug.
14. Kør ikke maskinen mere end nødvendigt uden belastning.
15. Sluk straks for motoren og fjern batteripakken hvis hækkeklipperen skulle komme i kontakt med et hegn eller en anden hård genstand. Efterse hækkeklipperen for skader og få den straks repareret, hvis den er beskadiget.

16. Inden du kontrollerer knivene, udbedrer problemer eller fjerner materiale der sidder fast i knivene, skal du altid først slukke for hækkeklipperen og fjerne batteripakken.
17. Sluk for hækkeklipperen og fjern batteripakken inden der udføres noget vedligeholdelsesarbejde.
18. Du skal altid tage batteripakken ud, når du flytter hækkeklipperen et andet sted hen, inklusive under arbejdet. Du må aldrig bære eller transportere hækkeklipperen med knivene kørende. Grib aldrig om knivene med hænderne.
19. Rengør hækkeklipperen og især knivene efter brug, samt inden hækkeklipperen lægges væk for en længere periode. Put lidt olie på knivene og sæt hylsteret på. Det hylster, der følger med enheden, kan hænges op på væggen og giver derfor mulighed for på sikker og praktisk vis at opbevare hækkeklipperen.
20. Opbevar hækkeklipperen med hylsteret på i et tørt rum. Sørg for, at den er uden for børns rækkevidde. Opbevar aldrig hækkeklipperen udendørs.

GEM DISSE INSTRUKTIONER.

⚠ ADVARSEL:

LAD IKKE tryghed eller kendskab til produktet (fra gentagen brug) føre til, at du ikke strengt overholder sikkerhedsreglerne for det gældende produkt. MISBRUG eller manglende overholdelse af sikkerhedsreglerne i denne brugsanvisning kan medføre alvorlig personskade.

SIKKERHEDSADVARSLER FOR BATTERIDREVET GRÆSKLIPPER

GEB070-2

⚠ **ADVARSEL! VIGTIGT LÆS OMHYGGELIGT alle sikkerhedsadvarsler og alle instruktioner INDEN BRUG.** Det kan medføre elektrisk stød, brand og/eller alvorlig personskade, hvis du ikke overholder advarslerne og følger instruktionerne.

Gem alle advarsler og instruktioner så du har dem til fremtidig brug.

Generelle instruktioner

1. For at sikre at maskinen anvendes korrekt, skal brugeren læse denne brugsanvisning, sådan at han kender til håndteringen af maskinen. Brugere, som ikke kender tilstrækkeligt til anvendelsen, er til fare for dem selv og andre pga. forkert håndtering af maskinen.
2. Lad aldrig personer som ikke er bekendt med disse instruktioner, personer (inklusive børn) med reducerede fysiske, sensoriske eller mentale evner, eller med manglende erfaring og viden, bruge dette maskine. Lokale bestemmelser kan sætte begrænsninger for brugerens alder.
3. Anvend maskinen med allerstørste omhu og opmærksomhed.
4. Anvend kun maskinen hvis du er ved godt helbred. Udfør alt arbejde roligt og forsigtigt. Anvend sund fornuft og vær opmærksom på at operatøren eller brugeren er ansvarlig for ulykker eller farlige

situationer, der måtte opstå mod andre personer eller deres ejendele.

5. Anvend aldrig maskinen mens der er personer, især børn, eller kæledyr i nærheden.
6. Anvend aldrig maskinen efter indtagelse af alkohol eller medicin, eller hvis du føler dig træet eller dårligt tilpas.
7. Motoren skal slukkes øjeblikkeligt i tilfælde af tegn på problemer med maskinen eller unormale forhold.
8. Sluk og fjern batteripakken under pauser og når maskinen lades uden for opsyn, og placer den på et sikkert sted for at forhindre at andre kommer til skade på den, eller maskinen bliver beskadiget.
9. Anvend ikke kraft på maskinen. Den vil fungere bedre, og der er mindre sandsynlighed for skader, hvis den betjenes sådan, som den er beregnet til.
10. Stræk dig ikke for langt. Bevar fodfæstet og balancen til enhver tid.

Personligt sikkerhedsudstyr

1. Bær korrekt påklædning. Der skal bæres funktionelt og passende tøj, dvs. det bør sidde tæt, men ikke være til hindring. Bær ikke smykker eller tøj der kan sidde fast. Anvend håret eller lignende så langt hård holdes på plads.
2. Bær altid høreværn og solide sko under anvendelsen af maskinen.

Elektrisk og batterisikkerhed

1. Undgå farlige omgivelser. Anvend ikke maskinen på fugtige eller eller våde steder, og udsæt det ikke for regn. Risikoen for elektrisk stød forøges, hvis der kommer vand ind i maskinen.
2. Genoplad kun med den oplader der specificeret af producenten. En oplader, der passer til én type batteripakke, kan medføre risiko for brand, hvis den anvendes med en anden batteripakke.
3. Anvend kun maskiner sammen med særligt designede batteripakker. Brug af andre batteripakker kan muligvis medføre risiko for personskader og brand.
4. Når batteripakken ikke er i brug, skal den holdes væk fra andre metalgenstande som f.eks. papirclips, mønter, søm, skruer eller andre små metalgenstande, som kan forbinde den ene terminal med den anden. Kortslutning af batteriterminalerne kan medføre forbrændinger eller brand.
5. Ved forkert behandling kan der sive væske ud fra batteriet; undgå kontakt. Hvis der opstår utilsigtet kontakt, skal du skylle med vand. Hvis du får væske i øjnene, skal du desuden søge lægehjælp. Væske fra batteriet kan forårsage irritation eller forbrændinger.
6. Smid ikke batterier ind i et bål. Battericellen kan eksplodere. Se de lokale bestemmelser for eventuelle særlige bortskaffningsinstruktioner.
7. Åbn eller ødelæg ikke batterier. Den frigivne elektrolyt er ætsende og kan forårsage skade på øjne og hud. Den kan være giftig, hvis den indtages.

Start af maskinen

1. Sørg for, at der ikke er nogen børn eller andre mennesker i nærheden og vær også opmærksom på eventuelle dyr i arbejdsområdet. Ellers skal brugen af maskinen stoppes.
2. Før arbejdet påbegyndes, kontrolleres det, at maskinen er klar til drift. Kontroller sikkerheden af

skæreværktøjet og afskærmningen samt at afbryderkontakten/-armen aktiveres på nem og korrekt vis. Sørg for, at håndtagene er rene og tørre og test start-/stopfunktionen.

3. Kontroller for beskadigede dele inden videre brug af maskinen. En beskadiget afskærmning eller anden del bør omhyggeligt kontrolleres for at sikre, at den vil fungere ordentligt og kan udføre dens tilsigtede funktion. Kontroller for justering af bevægelige dele, stramhed i bevægelige dele, beskadigelse af dele, montering eller andre forhold der kan påvirke funktionen. En beskadiget afskærmning eller anden del bør repareres på korrekt vis eller udskiftes af vores autoriserede servicecenter medmindre, der er angivet andet i denne brugsanvisning.
4. Start kun motoren, når hænder og fødder er væk fra skæreværktøjet.
5. Inden du starter skal du sikre dig, at skæreværktøjet ikke er i kontakt med nogen genstande.

Anvendelsesmetode

1. Brug kun maskinen i god belysning og med godt udsyn. I vintersæsonen skal du være på vagt overfor glatte eller våde områder, is og sne (der er risiko for at falde). Sørg altid for at have et godt fodfæste.
2. Pas på at fødder og hænder ikke kommer til skade på skæreværktøjet.
3. Stå aldrig på en stige når du arbejder med maskinen.
4. Kravl aldrig op i træer for at klippe eller skære med maskinen.
5. Arbejd aldrig på ustabile overflader.
6. Fjern sand, sten, søm m.v. som findes inden for arbejdsområdet. Fremmedlegemer kan beskadige skæreværktøjet og forårsage farlige tilbageslag.
7. Skulle skæreværktøjet ramme sten eller andre hårde objekter, skal du straks slukke for motoren og efterse skæreværktøjet.
8. Efterse skæreværktøjet for skader med korte jævne mellemrum (efterse for hårdidser vha. banke-støj-testen).
9. Inden foretagelse af skærearbejde skal skæreværktøjet have nået op på fuld arbejdhastighed.
10. Skæreværktøjet skal altid være udstyret med den tilhørende afskærmning. Anvend aldrig maskinen med beskadigede afskærmninger eller uden monterede afskærmninger!
11. Alle sikkerhedsinstallationer og skærme, der følger med maskinen, skal anvendes under betjeningen.
12. Tag altid batteripakken ud af maskinen:
 - inden maskinen lades uden opsyn;
 - inden du fjerner en forhindring;
 - inden kontrol, rengøring eller arbejde på maskinen;
 - efter du har ramt et fremmedlegeme;
 - når maskinen begynder at vibrere unormalt.
13. Sørg altid for, at ventilationsåbningerne holdes fri for afklippede materialer.

Skæreværktøjet

1. Anvend kun det korrekte skæreværktøj til jobbet.

Vedligeholdelsesvejledning

1. Maskinens tilstand, især beskyttelsesanordningerne for skæreværktøjet, skal kontrolleres inden brug.
2. Sluk for motoren og tag batteripakken ud inden der udføres vedligeholdelse, udskiftning af

- skæreværktøjer eller rengøring af maskinen eller skæreværktøjet.
3. Kontroller for løse bolte og beskadigede dele som f.eks. revner i skæreudstyret.
 4. Følg instruktionerne for smøring og udskiftning af tilbehør.
 5. Når den ikke anvendes, skal maskinen opbevares indendørs på et tørt sted højt oppe eller på et aflåst sted - uden for børns rækkevidde. Rengør og vedligehold inden opbevaring.
 6. Anvend kun producentens anbefalede reservedele og tilbehør.
 7. Efterse og vedligehold maskinen regelmæssigt, især før/efter brug. Få kun maskinen repareret af vores autoriserede servicecenter.
 8. Hold håndtagene tørre, rene og fri for olie og fedtstoffer.

GEM BRUGSANVISNINGEN TIL FREMTIDIG BRUG

⚠ ADVARSEL:

LAD IKKE tryghed eller kendskab til produktet (fra gentagen brug) føre til, at du ikke strengt overholder sikkerhedsreglerne for det gældende produkt. MISBRUG eller manglende overholdelse af sikkerhedsreglerne i denne brugsanvisning kan medføre alvorlig personskade.

VIGTIGE SIKKERHEDSINSTRUKTIONER

ENC007-4

FOR BATTERIPAKKEN

1. Før brugen af batteripakken skal du læse alle instruktioner og advarsler på (1) batteriopladeren, (2) batteriet og (3) det produkt, som batteriet anvendes i.
2. Skil ikke batteripakken ad.
3. Hvis driftstiden bliver betydeligt kortere, skal du straks ophøre med brugen. Brug kan medføre risiko for overophedning, risiko for forbrændinger eller endog eksplosion.
4. Hvis du får elektrolyt i øjnene, skal du med det samme rense øjnene med rent vand og søge læge. Dette kan medføre tab af synet.
5. Kortslut ikke batteripakken:
 - (1) Undgå at røre ved terminalerne med ledende materiale.
 - (2) Undgå at opbevare batteripakken i en beholder med andre metalgenstande som f.eks. søm, mønter osv.
 - (3) Udsæt ikke batteripakken for vand eller regn. Hvis batteriet kortsluttes, kan det medføre voldsom strøm, overophedning, mulige forbrændinger og endog nedbrud.
6. Undgå at opbevare værktøjet og batteripakken på steder hvor temperaturen kan komme op på eller overstige 50°C.
7. Sæt ikke ild til batteripakken, selvom den er alvorligt beskadiget eller helt udtjent. Batteripakken kan eksplodere ved brand.
8. Undgå at tabe eller slå på batteriet.

9. Brug ikke et batteri, der har været tabt eller slået på.

GEM DISSE INSTRUKTIONER.

Tips til, hvordan du forlænger batteriets levetid

1. Oplad batteripakken, før den bliver helt afladet. Ophør med at bruge værktøjet, og udskift batteripakken, hvis strømmen til værktøjet aftager.
2. Oplad aldrig en fuldt opladet batteripakke. Overopladning forkorter batteriets levetid.
3. Oplad batteripakken ved stuetemperatur på 10 °C - 40 °C. Lad batteripakken køle ned før den oplades, hvis den er varm.

FUNKTIONSBESKRIVELSE

⚠ FORSIGTIG:

- Sørg altid for, at maskinen er slukket, og at batteripakken er taget ud, før du justerer maskinen eller kontrollerer dens funktion.

Montering eller afmontering af batteripakken (Fig. 1)

- Sluk altid for maskinen før du monterer eller afmonterer batteripakken.
- Ved afmontering af batteripakken trækkes den ud af maskinen, mens der trykkes ind på knapperne på begge sider af pakken.
- Når du sætter batteripakken i, skal du holde den sådan, at forkannten på batteripakken passer ind i batteriåbningen, og skubbe den ind på plads. Sæt den altid hele vejen ind, indtil den låses på plads med et lille klik. Ellers kan den falde ud af maskinen og skade dig eller andre personer i nærheden.
- Brug ikke magt ved isætning af batteripakken. Hvis den ikke glider let ind, er den ikke indsat korrekt.

Betjening af afbryderkontakten (Fig. 2)

⚠ FORSIGTIG:

- Før batteripakken sættes i maskinen, skal du altid kontrollere, at afbryderkontakten reagerer korrekt og vender tilbage i "OFF"-stillingen, når du slipper den. En sikringsknap forhindrer, at afbryderkontakten trykkes ind ved et uheld. Maskinen startes ved at trykke sikringsknappen ind og trække i afbryderkontakten. Slip afbryderkontakten for at stoppe. Der kan trykkes på sikringsknappen fra både højre og venstre side.

Indikatorlampe (Fig. 3)

Når maskinen kører, viser indikatorlampen batteripakkens kapacitetsstatus.

Når maskinen er overbelastet og stopper under arbejdet, lyser lampen rødt.

Se det følgende skema over indikatorlampens status og afhjælpning.

Indikatorlampe	Status	Afhjælpning
Lampen blinker rødt.	Dette angiver det passende tidspunkt for udskiftning af batteripakken, når batteriets strømstyrke sænkes.	Genoplad batteripakken så hurtigt som muligt.
Lampen lyser rødt. (Bemærkning 1)	Denne funktion aktiveres, når strømmen på batteriet næsten er brugt op. På dette tidspunkt stopper maskinen øjeblikkeligt.	Genoplad batteripakken.
Lampen lyser rødt. (Bemærkning 1)	Automatisk stop pga. overbelastning.	Sluk for maskinen.

Bemærkning 1: Tidspunktet for hvornår indikatorlampen lyser varierer afhængigt af temperaturen på arbejdsstedet og batteripakkens tilstand.

BETJENING

Se Sikkerhedsadvarsler inden anvendelse.

⚠ FORSIGTIG:

- Sørg for, at du ikke utilsigtet kommer i kontakt med et metalhegn eller andre hårde genstande under klipping. Kniven kan muligvis brække og forårsage alvorlig personskade.
- Sørg også for at kniven ikke kommer i kontakt med jorden.
- Det er meget farligt at strække sig meget langt frem med en hækkeklipper, især fra en stige. Udfør ikke arbejde stående på noget der rokker eller ikke står ordentligt fast. (Fig. 4)

Forsøg ikke at klippe grene der er tykkere end 10 mm i diameter med denne hækkeklipper. Disse bør først klippes ned til hækkeklipningsniveau med en grensaks.

⚠ FORSIGTIG:

- Klip ikke i døde træer eller lignende hårde genstande. Hvis du gør det, kan det muligvis beskadige maskinen.
- Klip ikke græs eller ukrudt under brug af hækkeklippersværd. Kniven kan blive vinklet ind i græsset eller ukrudtet. (Fig. 5)

Hold hækkeklipperen med én hånd, tryk ned på sikringsknappen og træk i afbryderkontakten og bevæg den foran kroppen. (Fig. 6)

Grundlæggende bør du holde knivene på skrå, vendt mod klipperetningen og stille og roligt føre hækkeklipperen frem med en hastighed på 3 - 4 sekunder pr. meter. (Fig. 7)

Når du skal klippe toppen på hækken lige, hjælper det at spænde en snor ud i den ønskede højde og klippe langs med den, ved at bruge den som en referencelinje. (Fig. 8) Hvis du monterer flisopsamleren (tilbehør) på værktøjet, når du klipper hækken lige, kan du undgå, at afskærne blade bliver kastet væk. (Fig. 9)

For at klippe hækken side lige hjælper det at klippe fra bunden af og op. (Fig. 10)

Når buksbom eller rhododendron klippes nedefra og op mod toppen, får du det bedste resultat.

Montering og afmontering af flisopsamleren (ekstraudstyr)

⚠ FORSIGTIG:

- Sørg altid for, at maskinen er slukket, og batteripakken er taget ud, før du monterer eller afmonterer flisopsamleren.

BEMÆRK:

- Når du monterer/afmonterer flisopsamleren, skal du altid bære handsker, sådan at hænder og ansigt ikke kommer i direkte kontakt med knivene. Ellers kan det medføre personskader.
- Når du monterer/afmonterer flisopsamleren, skal du altid passe på ikke at komme i kontakt med knivene.
- Flisopsamleren modtager de afskærne blade, og gør det lettere at opsamle bortkastede blade. Den kan monteres på begge sider af maskinen. (Fig. 11)

Tryk flisopsamleren ned på knivene sådan at dens sprækker overlapper med skruerne på knivene og fastgør den med to spændemøtrikker.

For at afmontere flisopsamleren skal du løsne og fjerne de to spændemøtrikker og derefter tage den ud.

VEDLIGEHOLDELSE

⚠ FORSIGTIG:

- Sørg altid for, at maskinen er slukket, og at batteripakken er taget ud, før du forsøger at udføre inspektion eller vedligeholdelse.

Rengøring af maskinen

Rengør maskinen ved at tørre den af med en tør klud, eller en der er dyppet i sæbevand.

⚠ FORSIGTIG:

- Brug aldrig benzin, benzen, fortynder, alkohol eller lignende. Det kan muligvis medføre misfarvning, deformation eller revner.

Vedligeholdelse af kniv (Fig. 12)

Smør kniven inden brug, samt én gang i timen under brug med maskinolie eller lignende. (Fig. 13)

Efter udført arbejde skal du fjerne støv fra begge sider af kniven med en stålborste, tørre det af med en klud og derefter påføre rigeligt olie med lav viskositet, som fx maskinolie osv., eller smøreolie på spraydåse.

⚠ FORSIGTIG:

- Vask ikke kniven i vand. Det muligvis forårsage rust eller beskadige maskinen.

Afmontering eller montering af hækkeklippersværd

⚠ FORSIGTIG:

- Sørg altid for, at maskinen er slukket, og batteripakken er taget ud, før du afmonterer eller monterer sværd.

- Når du udskifter sværdet, skal du altid bære handsker og undgå at fjerne knivhylsteret, så hænder og ansigt ikke kommer i direkte kontakt med sværdet. Ellers kan det medføre personskader.

BEMÆRK:


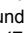
- Tør ikke fedtet af gearet eller krumtappen. Hvis du gør det, kan det muligvis beskadige maskinen.
- Se bagsiden på indpakningen af ekstraknive angående en særlig metode til afmontering og montering af knivene.

Afmontering af hækkeklippersværd (Fig. 14)

⚠ FORSIGTIG:

- Monter knivhylsteret inden afmontering eller montering af sværdet.

Vend maskinen om. (Fig. 15)

For at afmontere sværdet trykkes ned på låsearmen, og med låsearmen trykket ned drejes underdækslet mod urets retning, indtil symbolet  på underdækslet er rettet ind med symbolet  på låsearmen. (Fig. 16)

Tag underdækslet ud fra maskinen. (Fig. 17)

Løsn to skruer med en mønt eller lignende og fjern knivene.

BEMÆRK:

- Fjern ikke skrueene. Knivene kan fjernes uden at fjerne de løsnede skruer. (Fig. 18)

Fjern krumtappen fra knivene.

BEMÆRK:

- Krumtappen kan forblive i maskinen.

Montering af hækkeklippersværd (Fig. 19)

Klargør krumtappen, underdækslet og nye knive. (Fig. 20)

Juster positionen af de tre låsestifter sådan at disse tre låsestifter er justeret ind med grundjusteringslinjen på maskinhuset. (Fig. 21)



Placer krumtappen med dens forsænkede del vendende nedad på låsestifterne. På dette tidspunkt skal du påføre en lille smule fedt rundt i kanten på krumtappen, og der skal anvendes det fedt, som fulgte med knivene (ekstraudstyr), eller det som er inde i gearhuset. (Fig. 22)

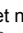

Overlap det ovale hul i den øverste kniv med det i den nederste kniv. Flyt knivene sådan at hullet i knivenes bundplade placeres i midten af disse overlappede ovale huller. (Fig. 23)

Tag knivhylsteret fra de gamle knive frem og placer det på de nye, så du nemt kan håndtere knivene under udskiftningen. (Fig. 24)

Vend knivene på hovedet og monter dem sådan at stiften på maskinen passer ind i hullet på knivene. Placer den bøjede del af bundpladen på knivene i rillen på maskinhuset. Sørg derefter for at bundpladen på knivene sidder på plads. (Fig. 25)

Spænd de to skruer ordentligt til med en mønt eller lignende. (Fig. 26)

Placer underdækslet sådan at symbolet  på underdækslet er justeret ind med symbolet  på låsearmen. (Fig. 27)

Tryk underdækslet ned og med underdækslet trykket ned drejes underdækslet i urets retning, indtil symbolet  på mærkaten er rettet ind med symbolet  på låsearmen (underdækslet er fuldstændigt låst). (Fig. 28)

På dette tidspunkt sikres det, at låsearmen er på plads i rillen i underdækslet.

⚠ FORSIGTIG:

- Anvend aldrig maskinen uden at montere underdækslet på den.

Tag knivhylsteret af og tænd derefter for maskinen for at kontrollere, om knivene bevæger sig korrekt.

BEMÆRK:

- Hvis knivene ikke kører ordentligt, er det fordi, at knivene og krumtappen ikke er tilpasset ordentligt. Gør monteringen om igen.

Opbevaring (Fig. 29)

Hullet i bunden af maskinen er praktisk, når maskinen hænges op på et søm eller en skrue på væggen.

Placer knivhylsteret over knivene sådan at knivene ikke er udækkede. Sørg for at opbevare maskinen uden for børns rækkevidde.

Opbevar maskinen på et sted hvor den ikke udsættes for vand og regn.

For at holde produktet SIKKERT og PÅLIDELIGT skal reparationer, kontrol og udskiftning af kulbørsterne samt al anden vedligeholdelse eller justering udføres af autoriserede Makita-servicecentre, der altid benytter Makita-reservedele.

TILBEHØR

⚠ FORSIGTIG:

- Dette tilbehør eller ekstraudstyr anbefales til brug med det Makita-værktøj, som er beskrevet i denne brugsanvisning. Brug af andet tilbehør eller ekstraudstyr kan forårsage personskade. Brug kun tilbehør eller ekstraudstyr til det formål, det er beregnet til.

Henvend dig til din lokale Makita-servicecenter, hvis du har brug for hjælp eller yderligere oplysninger vedrørende tilbehøret.

- Hylster til hækkeklippersværd
- Hækkeklippersværd
- Flisopsamler til hækkeklipping
- Originalt batteri og oplader fra Makita

For brug som batteridrevet græsklipper (Fig. 30)

Denne maskine kan anvendes som en græsklipper ved brug af græsklipningskniven (ekstraudstyr) og det 2-vejs skiftesæt.

For at anvende denne maskine som en græsklipper er det nødvendigt at udskifte hækkeklippersværdet med græsknivene.

Se det førnævnte afsnit "Afmontering af hækkeklippersværd" angående afmontering af hækkeklippersværdet.

Se afsnittet "Montering eller afmontering af græsknive" nedenfor angående montering af græsklipningskniven.

- Græsklipningskniv (til græsklipper)
- 2-vejs skiftesæt bestående af følgende tre ekstraudstyr
- Hylster til græsklipningskniv (til græsklipper)
- Opbevaringskasse (til knivbunden)
- Bundramme (til græsklipper)
- Langt håndtag (til græsklipper)

MONTERING

FORSIGTIG:

- Sørg altid for, at maskinen er slukket, og at batteripakken er taget ud, før du udfører nogen form for arbejde på maskinen.

Montering eller afmontering af knivhylster (Fig. 31 og 32)

FORSIGTIG:

- Sørg for ikke at røre ved kniven når du monterer eller afmonterer knivhylsteret. Kontakt med kniven kan forvolde personskader.

Skub knivhylsteret ind fra maskinens side indtil kniven er helt skjult og skub det derefter forsigtigt ind mod maskinen foran fra.

Foretag fremgangsmåden ovenfor i omvendt rækkefølge for at afmontere knivhylsteret.

Montering eller afmontering af græsknive

FORSIGTIG:

- Sørg altid for, at maskinen er slukket, og batteripakken er taget ud, før du monterer eller afmonterer knive. Hvis du ikke slukker og fjerner batteripakken fra maskinen, kan det medføre alvorlig skade i tilfælde af utilsigtet start.
- Når du udskifter kniven, skal du altid bære handsker og lade knivhylsteret være på plads, så hænder og ansigt ikke kommer i direkte kontakt med knivene. Ellers kan det medføre personskader.

BEMÆRK:

- Tør ikke fedtet af gearet eller krumtappen. Hvis du gør det, kan det muligvis beskadige maskinen.
- Se bagsiden af indpakningen af ekstraknive angående en særlig metode til afmontering og montering af knivene. (Fig. 33)



For at montere græskniven skal du klargøre krumtappen, underdækslet og den nye græskniv. (Fig. 34)


Tag knivhylsteret fra de gamle knive frem og placer det på de nye, så du nemt kan håndtere knivene under udskiftningen. (Fig. 35)


Juster positionen af de tre låsestifter sådan at disse stifter er placeret i en ret vinkel i forhold til grundjusteringslinjen på maskinhuset. (Fig. 36)

Placer krumtappen med dens forsænkede del vendende opad på låsestifterne. På dette tidspunkt skal du påføre en lille smule fedt rundt i kanten på krumtappen, og der skal anvendes det fedt, som fulgte med knivene (ekstraudstyr), eller det som er inde i gearhuset. (Fig. 37) Overlap det ovale hul i den øverste kniv med det i den nederste kniv. Flyt knivene sådan at hullet i knivenes bundplade placeres i midten af disse overlappede ovale huller. (Fig. 38)

Vend knivene på hovedet og monter dem sådan at låsestifterne på maskinen passer i hullet på knivene. Sørg for, at knivene er sat ordentligt på plads, så de når helt til bundpladen. (Fig. 39)

Placer underdækslet sådan at symbolet  på underdækslet er justeret ind med symbolet  på låsearmen. (Fig. 40)

Tryk underdækslet ned og med underdækslet trykket ned drejes underdækslet i urets retning, indtil symbolet  på

mærkatens er rettet ind med symbolet  på låsearmen (underdækslet er fuldstændigt låst). (Fig. 41)

På dette tidspunkt sikres det, at låsearmen er på plads i rillen i underdækslet.

Tag knivhylsteret af og tænd derefter for maskinen for at kontrollere, om knivene bevæger sig korrekt.

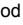

BEMÆRK:

- Hvis knivene ikke kører ordentligt, er det fordi, at knivene og krumtappen ikke er tilpasset ordentligt. Gør monteringen om igen. (Fig. 42)

Fjern bundrammen og placer maskinen med bunden opad.

FORSIGTIG:

- Inden maskinen placeres med bunden opad, skal bundrammen aftages. (Fig. 43)

For at afmontere kniven trykkes ned på låsearmen, og med låsearmen trykket ned drejes underdækslet mod urets retning, indtil symbolet  på underdækslet er rettet ind med symbolet  på låsearmen. (Fig. 44)

Tag underdækslet, kniven og krumtappen ud i rækkefølge fra maskinen. (Fig. 45)

BEMÆRK:

- Ved 2-vejs brug skal det afmonterede hækkeklippersværd placeres i knivopbevaringskassen og gemmes indtil næste gang, det skal bruges.

Montering eller afmontering af bundramme

FORSIGTIG:

- Sørg for at montere knivhylsteret inden montering eller afmontering af bundrammen.
- Ved montering og afmontering af bundrammen skal du passe på ikke at klemme fingrene mellem maskinen og bundrammen. (Fig. 46)

For tage bundrammen af skal du vende maskinen om og tage den ud fra rillen, som holder den fast i bunden. (Fig. 47)

For at montere bundrammen skal du sætte fremspringet på bundrammen i nærheden af skiftearmen ind i hullet for græshøjdeindstillingen. Med bundrammen således på plads trækkes i den nedre del af bundrammen, og den anden del af bundrammen sættes ind i rillen på maskinen.

Justering af klippehøjden (Fig. 48)

Ændring af den position, som skiftearmen holdes i, giver en tre-trins-indstilling for den afklippede græshøjde (10 mm, 15 mm, 25 mm).

For at ændre indstillingen vippes skiftearmen til bundrammepositionen og med skiftearmen vippet, flyttes den op eller ned langs maskinoverfladen, indtil fremspringet på bundrammen passer ind i et af hullerne på maskinen, hvorefter den slippes.

BETJENING

ADVARSEL:

- Hold hænderne væk fra knivene.

FORSIGTIG:

- Smør kniven inden brug, samt én gang i timen under brug med maskinolie eller lignende.

- Undgå så vidt muligt at anvende maskinen i stegende solskin. Vær opmærksom på din fysiske tilstand når du anvender maskinen. (Fig. 49)

Tænd maskinen efter justering af klippehøjden og hold den sådan at foden på maskinen hviler på jorden. Bevæg derefter forsigtigt maskinen fremad ind i det område, som skal klippes. (Fig. 50)

Ved klipping rundt om kantsten, hegn eller træer føres maskinen langs dem. Sørg for at kniven ikke kommer i kontakt med dem. (Fig. 51)

Ved klipping af skud eller blade på et lille træ tages bundrammen af maskinen, og der klippes en lille smule ad gangen.

Klip først større grene til den ønskede højde med en grensaks inden brug af denne maskine.

FORSIGTIG:

- Ved klipping af kviste og blade skal du ikke klippe alt for meget af gangen. Gå forsigtigt frem. Forsøg heller ikke at klippe tykke grene.
- Lad ikke knivene komme i kontakt med jorden under arbejdet. Knivene bliver sløve, og det forringer ydeevnen.
- Klip ikke vådt græs eller våde blade fra små træer.

Støj ENG104-2

Det typiske A-vægtede støjniveau bestemt i overensstemmelse med EN60745:

Lydtryksniveau (L_{pA}): 73,7 dB (A)

Usikkerhed (K): 2,5 dB (A)

Støjniveauet under arbejdet kan være større end 80 dB (A).

Bær høreværn.

Vibration ENG244-1

Vibrationsemissionsværdien er bestemt i henhold til EN60745:

Vibrationsemission (a_{h1}): 2,5 m/s² eller mindre

Usikkerhed (K): 1,5 m/s²

ENG901-1

- Den opgivne vibrationsemissionsværdi er målt i overensstemmelse med standardtestmetoden og kan bruges til at sammenligne et værktøj med et andet.
- Den opgivne vibrationsemissionsværdi kan muligvis også bruges til en indledende eksponeringsvurdering.

ADVARSEL:

- Vibrationsemissionen under den faktiske brug af maskinen kan afvige fra den opgivne emissionsværdi afhængigt af den måde, maskinen anvendes på.
- Sørg for at bestemme sikkerhedsforanstaltninger for beskyttelse af operatøren, som er baseret på en eksponeringsvurdering for brug under faktiske forhold (hvor alle anvendelsescyklussens dele inddrages, som f.eks. antal gange maskinen slukkes, og når den kører i tomgang ud over triggertiden).

Kun for lande i Europa

EF-overensstemmelseserklæring

Vi, Makita Corporation, erklærer som ansvarlig producent at følgende Makita-maskine(r):

Maskinens betegnelse:

Batteridrevet hækkeklipper

Modelnummer/ type: UH200D

Specifikationer: se tabellen "SPECIFIKATIONER".

er en produktionsserie og

Overholder følgende europæiske direktiver:

2000/14/EF, 2006/42/EF

Op er produceret i overensstemmelse med følgende standarder eller standardiserede dokumenter:

EN60745

Den tekniske dokumentation findes hos vores autoriserede repræsentant i Europa:

Makita International Europe Ltd.,

Michigan, Drive, Tongwell,

Milton Keynes, MK15 8JD, England

Den konformitetsvurderingsprocedure, der kræves af Direktiv 2000/14/EF, blev udført i henhold til appendiks V.

Målt lydeffektniveau: 81,8 dB

Garanteret lydeffektniveau: 84 dB

27. august 2009



Tomoyasu Kato
Direktør

Makita Corporation
3-11-8, Sumiyoshi-cho,
Anjo, Aichi, JAPAN

ΕΛΛΗΝΙΚΑ (Πρωτογενείς οδηγίες)

Γενική περιγραφή

1. Μπαταρία
2. Κουμπί
3. Κουμπί ασφάλισης
4. Σκανδάλη διακόπτης
5. Ενδεικτική λυχνία
6. Διεύθυνση κλαδέματος
7. Δώστε κλίση στις λεπίδες
8. Επιφάνεια του φράκτη που πρόκειται να κλαδευτεί
9. Κορδόνι
10. Παξιμάδια σφικτήρα
11. Συλλέκτης θραυσμάτων
12. Βίδες στις λεπίδες του ψαλιδιού
13. Το κάλυμμα των λεπίδων θα πρέπει να είναι πάντοτε τοποθετημένο πριν από την εγκατάσταση του συλλέκτη θραυσμάτων
14. Βούρσα
15. Μηχανικό λάδι
16. Κάλυμμα λεπίδων
17. Κάτω κάλυμμα
18. Μοχλός ασφάλισης
19. Πιέστε
20. Περιστρέψτε
21. Βίδες
22. Στρόφαλος
23. Λεπίδες ψαλιδιού
24. Βασική γραμμή ευθυγράμμισης στο περίβλημα του εργαλείου
25. Πείροι
26. Γρασάρετε.
27. Κοίλο τμήμα του στροφάλου
28. Αλληλεπικαλυπτόμενες ωοειδείς τρύπες
29. Τρύπα στην πλάκα έδρασης των λεπίδων ψαλιδιού
30. Πλάκα έδρασης
31. Κυρτωμένο τμήμα της πλάκας έδρασης των λεπίδων ψαλιδιού
32. Εγκοπή στο κάτω κάλυμμα
33. Τρύπα γάντζου
34. Λεπίδα ψαλιδιού για γρασίδι
35. Κάλυμμα λεπίδας ψαλιδιού για γρασίδι
36. Θήκη αποθήκευσης
37. Πλαίσιο βάσης
38. Εγκοπή
39. Μοχλός αλλαγής
40. Προεξοχή στο πλαίσιο της βάσης

ΠΡΟΔΙΑΓΡΑΦΕΣ

Μοντέλο	UH200D
Μήκος λεπίδας	200 mm
Διαδρομές το λεπτό (min ⁻¹)	1.250
Ολικό μήκος	460 mm
Καθαρό βάρος	1,2 kg
Ονομαστική τιμή τάσης	D.C. 10.8 V

- Λόγω του συνεχόμενου προγράμματος που εφαρμόζουμε για έρευνα και ανάπτυξη, τα τεχνικά χαρακτηριστικά στο παρόν έντυπο υπόκεινται σε αλλαγή χωρίς προειδοποίηση.
- Τα τεχνικά χαρακτηριστικά ενδέχεται να διαφέρουν ανάλογα με τη χώρα.
- Βάρος σύμφωνα με τη διαδικασία EPTA 01/2003

Σύμβολα

END011-3



..... Μόνο για τις χώρες της ΕΕ

Παρακάτω παρουσιάζονται τα σύμβολα που χρησιμοποιούνται για τον εξοπλισμό. Βεβαιωθείτε ότι κατανοείτε τη σημασία τους πριν από τη χρήση.

Μην απορρίπτετε τον ηλεκτρικό εξοπλισμό ή την μπαταρία μαζί με τα οικιακά απορρίμματα!
Σύμφωνα με την Ευρωπαϊκή Οδηγία 2002/96/ΕΚ περί αποβλήτων ηλεκτρικού και ηλεκτρονικού εξοπλισμού, την 2006/66/ΕΚ περί μπαταριών και συσσωρευτών και των αποβλήτων των μπαταριών και των συσσωρευτών και την ενσωμάτωσή τους στην εθνική νομοθεσία, ο ηλεκτρικός εξοπλισμός και η μπαταρία που έχουν φτάσει στο τέλος της ζωής τους πρέπει να συλλέγονται ξεχωριστά και να επιστρέφονται σε εγκαταστάσεις περιβαλλοντικής ανακύκλωσης.

..... Δώστε ιδιαίτερη φροντίδα και προσοχή.

..... Διαβάστε το εγχειρίδιο οδηγιών.

..... Μην το εκθέσετε στη βροχή.

..... Κίνδυνος, δώστε προσοχή στα αντικείμενα που εκκινάσσονται.

..... Κρατήστε μακριά τους παρευρισκόμενους.

..... Τα στοιχεία κοπής συνεχίζουν να περιστρέφονται μετά την απενεργοποίηση του κινητήρα.

Προοριζόμενη χρήση

ENE014-1

Το εργαλείο προορίζεται για το κλάδεμα φρακτών από θάμνους.

Γενικές Προειδοποιήσεις Ασφαλείας Του Ηλεκτρικού Εργαλείου

GEA10-1

⚠️ ΠΡΟΕΙΔΟΠΟΙΗΣΗ Διαβάστε όλες τις προειδοποιήσεις ασφαλείας και όλες τις οδηγίες. Αν δεν ακολουθήσετε όλες τις προειδοποιήσεις και τις οδηγίες, υπάρχει κίνδυνος ηλεκτροπληξίας, πυρκαγιάς ή/και σοβαρού τραυματισμού.

Φυλάξτε όλες τις προειδοποιήσεις και τις οδηγίες για μελλοντική αναφορά.

ΠΡΟΕΙΔΟΠΟΙΗΣΕΙΣ ΑΣΦΑΛΕΙΑΣ ΨΑΛΙΔΙΟΥ ΜΠΟΡΝΤΟΥΡΑΣ

GEB062-2

- Κρατήστε το ηλεκτρικό εργαλείο μόνο από τις μονωμένες επιφάνειες, επειδή η λάμα κοπής μπορεί να έρθει σε επαφή με κρυμμένη καλωδίωση.** Αν οι λάμες κοπής έρθουν σε επαφή με κάποιο ηλεκτροφόρο καλώδιο, τα εκτεθειμένα μεταλλικά μέρη του ηλεκτρικού εργαλείου θα γίνουν κι αυτά ηλεκτροφόρα και μπορεί να προκληθεί ηλεκτροπληξία στο χειριστή.
- Κρατήστε όλα τα μέρη του σώματός σας μακριά από τη λεπίδα κοπής. Μην αφαιρείτε το υλικό κοπής ή κρατήσετε το υλικό που πρόκειται να κοπεί όταν κινούνται οι λεπίδες. Σιγουρευτείτε ότι ο διακόπτης είναι κλειστός κατά τον καθαρισμό του υλικού που έχει μπλοκάρει.** Μια στιγμή απροσεξίας κατά τη διάρκεια χειρισμού του ψαλιδιού μπορντούρας μπορεί να προκαλέσει σοβαρό προσωπικό τραυματισμό.
- Να μεταφέρετε το ψαλίδι μπορντούρας από τη λαβή με σταματημένη την λεπίδα κοπής. Κατά την μεταφορά ή την αποθήκευση του ψαλιδιού μπορντούρας πάντοτε να τοποθετείτε το κάλυμμα του μηχανισμού κοπής.** Ο κατάλληλος χειρισμός του ψαλιδιού μπορντούρας θα ελαττώσει την πιθανότητα προσωπικού τραυματισμού από τις λεπίδες κοπής.
- Να μην χρησιμοποιήσετε το ψαλίδι μπορντούρας μέσα στην βροχή ή κάτω από υγρές ή πολύ υότερές συνθήκες. Το ηλεκτρικό μοτέρ δεν είναι αδιάβροχο.
- Οι χρήστες που χρησιμοποιούν το ψαλίδι μπορντούρας για πρώτη φορά θα πρέπει να λάβουν οδηγίες για τη χρήση του από ένα έμπειρο χρήστη.
- Το ψαλίδι μπορντούρας δεν πρέπει να χρησιμοποιείται από παιδιά και νέους κάτω των 18 ετών. Εξαιρούνται από αυτήν την απαγόρευση οι νέοι άνω των 16 ετών που εκπαιδεύονται υπό την επίβλεψη ειδικού.
- Να χρησιμοποιείτε το ψαλίδι μπορντούρας μόνο όταν βρίσκεστε σε καλή φυσική κατάσταση. Εάν είσατε κουρασμένοι θα ελαττωθεί η προσοχή σας. Να είσατε ιδιαίτερα προσεκτικοί κατά το τέλος της ημέρας εργασίας. Να διεξάγετε όλη την εργασία με ηρεμία και προσοχή. Ο χρήστης είναι υπεύθυνος για όλες τις ζημιές σε τρίτους.
- Μην χρησιμοποιείτε ποτέ το ψαλίδι υπό την επίρροια αλκοόλ, ναρκωτικών ουσιών ή φαρμάκων.
- Ελέγξτε για να βεβαιωθείτε ότι η τάση και η συχνότητα του παρεχόμενου ρεύματος αντιστοιχούν

στις προδιαγραφές που δίνονται στην πινακίδα αναγνώρισης. Σας συνιστάμε να χρησιμοποιήσετε ένα διακόπτη προστασίας ρεύματος διαρροής (διακόπτης κυκλώματος βλάβης γείωσης) με ρεύμα διαρροής ίσο ή μικρότερο από 30 mA, ή μια προστατευτική διάταξη διαρροής γείωσης.

- Τα γάντια εργασίας από ανθεκτικό δέρμα αποτελούν μέρος του βασικού εξοπλισμού του ψαλιδιού μπορντούρας και θα πρέπει πάντοτε να φοριούνται κατά την εργασία με αυτό. Επίσης να φοράτε ανθεκτικά παπούτσια με αντιολισθητικές σόλες.
- Πριν από την έναρξη της εργασίας βεβαιωθείτε ότι το ψαλίδι βρίσκεται σε καλή και ασφαλή κατάσταση λειτουργίας. Διασφαλίστε ότι τα προστατευτικά έχουν τοποθετηθεί σωστά. Εάν δεν είναι πλήρως συναρμολογημένο το ψαλίδι μπορντούρας δεν θα πρέπει να χρησιμοποιείται.
- Πριν ξεκινήσετε την εργασία διασφαλίστε ότι έχετε ένα σταθερό πάτημα.
- Να κρατάτε το εργαλείο γερά όταν το χρησιμοποιείτε.
- Μη θέτετε το εργαλείο σε λειτουργία χωρίς φόρτο, αν αυτό δεν είναι απαραίτητο.
- Σταματήστε αμέσως το μοτέρ και αποσυνδέστε την μπαταρία εάν ο κόφτης έρθει σε επαφή με το φράκτη ή με κάποιο άλλο σκληρό αντικείμενο. Ελέγξτε το κόφτη προσεκτικά για φθορά, και αν έχει πάθει ζημιά επισκευάστε τον αμέσως.
- Πριν από τον έλεγχο του κόφτη, την επιδιόρθωση σφαλμάτων ή την αφαίρεση του υλικού που πιάστηκε μέσα στον κόφτη πάντοτε να διακόπτετε τη λειτουργία του ψαλιδιού και να βγάζετε τη μπαταρία.
- Πριν από την εκτέλεση της οποιασδήποτε εργασίας συντήρησης να διακόπτετε την λειτουργία του ψαλιδιού και να αφαιρείτε την μπαταρία.
- Κατά την μετακίνηση του ψαλιδιού μπορντούρας σε μια άλλη θέση, ακόμη και κατά την διάρκεια της εργασίας, πάντοτε να αφαιρείτε την μπαταρία. Ποτέ μη μεταφέρετε ή μετακινείτε το ψαλίδι με το κόφτη σε λειτουργία. Ποτέ να μην πιάνετε τον κόφτη με τα χέρια σας.
- Καθαρίστε το ψαλίδι μπορντούρας και ιδιαίτερα τον κόφτη μετά από την χρήση και πριν αποθηκεύσετε το ψαλίδι για παρατεταμένες περιόδους. Λαδώστε ελαφρά τον κόφτη και τοποθετήστε το κάλυμμα. Το κάλυμμα που παρέχετε με τη συσκευή μπορεί να κρεμαστεί στον τοίχο, παρέχοντας ένα ασφαλή και πρακτικό τρόπο για την αποθήκευση του ψαλιδιού μπορντούρας.
- Αποθηκεύστε το ψαλίδι μπορντούρας με το κάλυμμα πάνω του σε ένα ξηρό δωμάτιο. Κρατήστε το μακριά από την πρόσβαση των παιδιών. Ποτέ να μην αποθηκεύσετε το ψαλίδι σε εξωτερικό χώρο.

ΦΥΛΑΞΤΕ ΑΥΤΕΣ ΤΙΣ ΟΔΗΓΙΕΣ.

⚠️ ΠΡΟΕΙΔΟΠΟΙΗΣΗ:
ΜΗΝ επιτρέψετε στη βολική ή στην εξοικειώσή σας με το προϊόν (που αποκτήθηκε από επανειλημμένη χρήση) να αντικαταστήσει την αυστηρή προσήλωση στους κανόνες ασφαλείας του εν λόγω προϊόντος. Η ΛΑΝΘΑΣΜΕΝΗ ΧΡΗΣΗ ή η μη τήρηση των κανόνων ασφαλείας που διατυπώνονται στο παρόν εγχειρίδιο οδηγιών μπορεί να προκαλέσει σοβαρό τραυματισμό.

ΠΡΟΕΙΔΟΠΟΙΗΣΕΙΣ ΑΣΦΑΛΕΙΑΣ ΤΟΥ ΨΑΛΙΔΙΟΥ ΓΡΑΣΙΔΙΟΥ ΜΠΑΤΑΡΙΑΣ

GEB070-2

⚠️ ΠΡΟΕΙΔΟΠΟΙΗΣΗ! ΣΗΜΑΝΤΙΚΟ, ΔΙΑΒΑΣΤΕ ΠΡΟΣΕΚΤΙΚΑ όλες τις προειδοποιήσεις ασφαλείας και τις οδηγίες ΠΡΙΝ ΑΠΟ ΤΗ ΧΡΗΣΗ. Αν δεν ακολουθήσετε όλες τις προειδοποιήσεις και τις οδηγίες, υπάρχει κίνδυνος ηλεκτροπληξίας, πυρκαγιάς ή/και σοβαρού τραυματισμού.

Φυλάξτε όλες τις προειδοποιήσεις και τις οδηγίες για μελλοντική αναφορά.

Γενικές οδηγίες

1. Για τη διασφάλιση της σωστής λειτουργίας, ο χρήστης πρέπει να διαβάσει αυτό το εγχειρίδιο οδηγιών για να εξοικειωθεί με τον χειρισμό αυτής της συσκευής. Οι χρήστες οι οποίοι δεν διαθέτουν επαρκή ενημέρωση, θα θέσουν σε κίνδυνο τους εαυτούς τους καθώς και τους άλλους λόγω του ακατάλληλου χειρισμού.
2. Ποτέ μην επιτρέψετε στα άτομα που δεν γνωρίζουν αυτές τις οδηγίες, στα άτομα (συμπεριλαμβανομένων των παιδιών) που παρουσιάζουν ελαττωμένες φυσικές, αισθητήριες ή διανοητικές ικανότητες, στα άτομα με ανεπαρκή εμπειρία και γνώσεις να κάνουν χρήση αυτής της συσκευής. Μπορεί να υπάρχει περιορισμός όσον αφορά την ηλικία του χρήστη από την τοπική νομοθεσία.
3. Χρησιμοποιείτε τη συσκευή με τη μεγαλύτερη δυνατή φροντίδα και προσοχή.
4. Να χρησιμοποιείτε τη συσκευή μόνο όταν βρίσκεστε σε καλή φυσική κατάσταση. Να διεξάγετε όλη την εργασία με ηρεμία και προσοχή. Χρησιμοποιήστε την κοινή λογική και έχετε κατά νου ότι ο χρήστης ή ο χειριστής είναι υπεύθυνος για τα ατυχήματα ή τους κινδύνους που προκαλούνται στα άλλα άτομα ή στην ιδιοκτησία τους.
5. Ποτέ να μην χειρίζεστε το μηχάνημα όταν βρίσκονται κοντά άλλα άτομα, ιδιαίτερα παιδιά ή κατοικίδια ζώα.
6. Ποτέ να μην χρησιμοποιήσετε τη συσκευή μετά από την κατανάλωση αλκοόλ ή φαρμάκων, ή εάν αισθάνεστε κουρασμένοι ή είστε ασθενείς.
7. Ο κινητήρας σβήνει αμέσως στην περίπτωση που η συσκευή εμφανίσει το οποιοδήποτε πρόβλημα ή κάτι το ασυνήθιστο.
8. Σβήστε τον κινητήρα και αφαιρέστε την μπαταρία όταν σταματάτε κατά την ανάπαυση και όταν παραμένει η συσκευή χωρίς επίβλεψη, και τοποθετήστε τη σε ένα ασφαλή χώρο για την αποφυγή πρόκλησης κινδύνου σε άλλους ή ζημιάς στη συσκευή.
9. Μην ασκείτε δύναμη στη συσκευή, θα πραγματοποιήσει την εργασία καλύτερα και με μικρότερο ρίσκο τραυματισμού στο βαθμό για τον οποίο έχει σχεδιαστεί.
10. Μην τεντώνετε υπερβολικά. Να στέκεστε πάντοτε σταθερά και ισοροπημένα.

Προσωπικός προστατευτικός εξοπλισμός

1. Να ντύσετε κατάλληλα. Ο ρουχισμός που φοράτε θα πρέπει να είναι λειτουργικός και κατάλληλος, δηλαδή να είναι εφάρμοστος αλλά να μην σας παρεμποδίζει. Μην φοράτε κοσμήματα ή ρούχα τα οποία μπορούν

να μπλεχτούν. Να φοράτε προστατευτικό κάλυμμα μαλλιών που να κρατά μαζεμένα τα μακριά μαλλιά.

2. Πάντοτε να φοράτε προστατευτικά ματιών και ανθεκτικά παπούτσια όταν χειρίζεστε το μηχάνημα.

Ηλεκτρική ασφάλεια και ασφάλεια μπαταρίας

1. Να αποφύγετε να επικινδύνετε περιβάλλοντα. Να μην χρησιμοποιήσετε τη συσκευή σε υγρές ή υοτερές περιοχές και μην την εκθέτετε στη βροχή. Αν εισέλθει νερό στη συσκευή, αυξάνεται ο κίνδυνος πρόκλησης ηλεκτροπληξίας.
2. Επαναφορτίστε μόνο με τον φορτιστή που καθορίζεται από το κατασκευαστή. Ο φορτιστής που είναι κατάλληλος για έναν τύπο της μπαταρίας μπορεί να δημιουργήσει κίνδυνο πυρκαγιάς όταν χρησιμοποιείται με άλλη μπαταρία.
3. Χρησιμοποιήστε τα ηλεκτρικά εργαλεία μόνο με ειδικά καθορισμένες μπαταρίες. Αν χρησιμοποιήσετε άλλες μπαταρίες μπορεί να παρουσιαστεί κίνδυνος για πρόκληση τραυματισμού ή πυρκαγιάς.
4. Όταν η μπαταρία δεν χρησιμοποιείται, φυλάξτε τη μακριά από άλλα μεταλλικά αντικείμενα, όπως συνδετήρες, νομίσματα, κλειδιά, καρφιά, βίδες ή άλλα μικρά μεταλλικά αντικείμενα, τα οποία μπορούν να δημιουργήσουν σύνδεση από τον ένα πόλο στον άλλο. Η σύνδεση των ακροδεκτών της μπαταρίας μπορεί να προκαλέσει εγκαύματα ή πυρκαγιά.
5. Σε ακραίες συνθήκες μπορεί να πεταχτεί έξω το υγρό της μπαταρίας. Αποφύγετε την επαφή μαζί του. Εάν συμβεί τυχαία επαφή, ξεπλύνετε με νερό. Εάν το υγρό έρθει σε επαφή με τα μάτια, ζητήστε ιατρική βοήθεια. Το υγρό που εκτινάχθηκε από την μπαταρία μπορεί να προκαλέσει ερεθισμό ή εγκαύματα.
6. Μην απορρίπτετε την μπαταρία(ες) σε εστία φωτιάς. Το στοιχείο μπορεί να εκραγεί. Ελέγξτε τους τοπικούς κώδικες για πιθανές ειδικές οδηγίες απόρριψης.
7. Μην ανοίξετε ή κομματιάσετε τη μπαταρία(ες). Ο απελευθερωμένος ηλεκτρολύτης προκαλεί διάβρωση και μπορεί να προκαλέσει βλάβη στα μάτια ή στο δέρμα. Μπορεί να είναι τοξικός σε περίπτωση κατάποσης.

Εκκίνηση της συσκευής

1. Φροντίστε ότι δεν υπάρχουν παιδιά στη γύρω περιοχή καθώς επίσης δώστε προσοχή στα ζώα που τυχόν βρίσκονται κοντά στην περιοχή εργασίας. Διαφορετικά σταματήστε τη χρήση της συσκευής.
2. Πριν από τη χρήση ελέγξτε πάντοτε ότι η συσκευή είναι ασφαλής για εργασία. Ελέγξτε την ασφάλεια του κοπτικού εργαλείου και το προφυλακτήρα και το διακόπτη ενεργοποίησης/μοχλό για την εύκολη και σωστή λειτουργία του. Ελέγξτε τα χερούλια ώστε να είναι καθαρά και ξηρά και δοκιμάστε την λειτουργία της εκκίνησης/διακοπής.
3. Ελέγξτε για την ύπαρξη φθαρμένων μερών πριν από την περαιτέρω χρήση της συσκευής. Θα πρέπει να ελέγξετε προσεκτικά για τυχόν ύπαρξη ζημιάς στον προφυλακτήρα ή σε άλλα εξάρτημα για να καθορίσετε ότι θα λειτουργήσουν σωστά και θα πραγματοποιήσουν την προοριζόμενη λειτουργία τους. Ελέγξτε την ευθυγράμμιση των κινούμενων μερών, την στερέωση των κινούμενων μερών, το σπασίμο εξαρτημάτων, την στερέωση και οποιαδήποτε άλλη συνθήκη που ενδεχομένως να επηρεάσει τη λειτουργία του εργαλείου. Ένα προστατευτικό ή άλλο

εξάρτημα με ζημιά θα πρέπει να επισκευαστεί ή να αντικατασταθεί σε εξουσιοδοτημένο κέντρο σέρβις εκτός εάν δηλώνεται διαφορετικά στο παρόν εγχειρίδιο.

4. Ενεργοποιήστε τον κινητήρα μόνο όταν τα χέρια και τα πόδια βρίσκονται μακριά από το εργαλείο κοπής.
5. Πριν ξεκινήσετε βεβαιωθείτε ότι το εργαλείο κοπής δεν βρίσκεται σε επαφή με κανένα αντικείμενο.

Μέθοδος λειτουργίας

1. Χρησιμοποιείτε τη συσκευή μόνο σε συνθήκες καλού φωτισμού και ορατότητας. Κατά τη διάρκεια της εποχής του χειμώνα δώστε προσοχή στις περιοχές που είναι υγρές και γλιστρούν, πάγος και χιόνι (κίνδυνος ολισθηρότητας). Πάντοτε να έχετε ένα ασφαλές πάτημα.
2. Δώστε προσοχή ώστε να μην τραυματιστείτε στα χέρια ή στα πόδια από το εργαλείο κοπής.
3. Ποτέ να μην λειτουργείτε τη συσκευή όταν είστε ανεβασμένοι πάνω σε σκάλα.
4. Ποτέ να μην σκαρφάζετε σε δέντρα για να εκτελέσετε εργασίες κοπής με τη συσκευή.
5. Ποτέ να μην εργάζεστε πάνω σε ασταθείς επιφάνειες.
6. Αφαιρέστε την άμμο, τις πέτρες, τα καρφιά κτλ που βρίσκονται μέσα στο εύρος της περιοχής εργασίας. Τα ξένα στοιχεία μπορεί να προκαλέσουν ζημιά στο εργαλείο κοπής και να δημιουργήσουν επικίνδυνα οπισθολακτώματα.
7. Εάν το εργαλείο κοπής χτυπήσει πέτρες ή άλλα σκληρά αντικείμενα, αμέσως κλείστε τον κινητήρα και επιθεωρήστε το εργαλείο κοπής.
8. Επιθεωρείτε το εργαλείο κοπής για ζημιά ανά τακτά και σύντομα διαστήματα (διάγνωση λεπτών ρωγμών χρησιμοποιώντας το τεστ ήχου που παράγεται από τη κρούση).
9. Πριν το ξεκίνημα της κοπής, το εργαλείο κοπής θα πρέπει να έχει αποκτήσει την πλήρη ταχύτητα λειτουργίας.
10. Το εργαλείο κοπής θα πρέπει πάντοτε να είναι εφοδιασμένο με τον κατάλληλο προφυλακτήρα. Ποτέ μη λειτουργείτε τη συσκευή με προφυλακτήρες που έχουν φθαρεί ή αφαιρεθεί!
11. Όλα τα προστατευτικά συγκροτήματα και προφυλακτήρες που παρέχονται με αυτή τη συσκευή πρέπει να χρησιμοποιούνται κατά την λειτουργία.
12. Πάντοτε να αφαιρείτε τη μπαταρία από τη συσκευή:
 - όποτε αφήνετε την συσκευή χωρίς επίβλεψη,
 - πριν από το ξεμπλοκάρισμα,
 - πριν από τον έλεγχο, την συντήρηση ή την εκτέλεση εργασίας πάνω στη συσκευή,
 - μετά από το κτύπημα ενός ξένου αντικείμενου,
 - όποτε η συσκευή αρχίζει να πάτε με αφύσικο τρόπο.
13. Πάντοτε να διασφαρίζετε ότι οι οπές εξερισμού δεν είναι μπλοκαρισμένες από θραύσματα.

Εργαλεία κοπής

1. Χρησιμοποιήστε μόνο το σωστό εργαλείο κοπής για την εργασία που πρόκειται να κάνετε.

Οδηγίες συντήρησης

1. Η κατάσταση της συσκευής, ιδιαίτερα του εργαλείου κοπής των προστατευτικών συσκευών θα πρέπει να ελέγχεται πριν από την έναρξη της εργασίας.
2. Κλείστε τον κινητήρα και αφαιρέστε την μπαταρία πριν την εκτέλεση της συντήρησης, κατά την

αντικατάσταση των εργαλείων κοπής ή κατά τον καθαρισμό της συσκευής ή του εργαλείου κοπής.

3. Ελέγξτε για την ύπαρξη ξεσφιγμένων σφικτήρων και εξαρτημάτων που παρουσιάζουν φθορά όπως ρωγμές στο προσάρτημα κοπής.
4. Να ακολουθείτε τις οδηγίες για τη λίπανση και την αλλαγή των αξεσουάρ.
5. Όταν δεν χρησιμοποιείται, αποθηκεύετε τη συσκευή σε ένα στεγνό και υψηλό ή κλειδωμένο εσωτερικό μέρος, μακριά από την πρόσβαση των παιδιών. Καθαρίστε και εκτελέστε τις εργασίες συντήρησης πριν από την αποθήκευση.
6. Χρησιμοποιήστε μόνο τα συνιστώμενα από τον κατασκευαστή ανταλλακτικά και αξεσουάρ.
7. Επιθεωρείτε και συντηρείτε το μηχάνημα τακτικά, ειδικά πριν/μετά την χρήση. Η επιδιόρθωση της συσκευής πρέπει να γίνεται μόνο από ένα εξουσιοδοτημένο κέντρο σέρβις.
8. Να διατηρείτε τις λαβές στεγνές, καθαρές, χωρίς λάδι και γράσο.

ΚΡΑΤΗΣΤΕ ΓΙΑ ΜΕΛΛΟΝΤΙΚΗ ΑΝΑΦΟΡΑ

⚠️ ΠΡΟΕΙΔΟΠΟΙΗΣΗ:

ΜΗΝ επιτρέψετε στη βολικότητα ή στην εξοικείωσή σας με το προϊόν (που αποκτήθηκε από επανειλημμένη χρήση) να αντικαταστήσει την αυστηρή προσήλωση στους κανόνες ασφαλείας του εν λόγω προϊόντος. Η ΛΑΝΘΑΣΜΕΝΗ ΧΡΗΣΗ ή η μη τήρηση των κανόνων ασφαλείας που διατυπώνονται στο παρόν εγχειρίδιο οδηγίων μπορεί να προκαλέσει σοβαρό τραυματισμό.

ΣΗΜΑΝΤΙΚΕΣ ΟΔΗΓΙΕΣ ΑΣΦΑΛΕΙΑΣ

ENC007-4

ΓΙΑ ΤΗΝ ΜΠΑΤΑΡΙΑ

1. Πριν χρησιμοποιήσετε την μπαταρία, διαβάστε όλες τις οδηγίες και τις ενδείξεις προφύλαξης στο (1) φορητή μπαταρία, (2) την μπαταρία και (3) το προϊόν στο οποίο χρησιμοποιείται η μπαταρία.
 2. Μην αποσυναρμολογείτε την μπαταρία.
 3. Αν ο χρόνος λειτουργίας της μπαταρίας είναι υπερβολικά σύντομος, διακόψτε αμέσως τη λειτουργία. Αν συνεχίσετε, μπορεί να έχει ως αποτέλεσμα τον κίνδυνο υπερθέρμανσης, πιθανών εγκαυμάτων και ακόμη έκρηξης.
 4. Αν μπει στα μάτια σας ηλεκτρολύτης, ξεπλύνετε με καθαρό νερό και αναζητήστε αμέσως ιατρική βοήθεια. Μπορεί να χάσετε την όρασή σας.
 5. Μην βραχυκυκλώνετε την μπαταρία:
 - (1) Μην αγγίζετε τους ακροδέκτες με αγώγιμο υλικό.
 - (2) Μην αποθηκεύετε την μπαταρία σε δοχείο με άλλα μεταλλικά αντικείμενα, όπως καρφιά, νομίσματα, κτλ.
 - (3) Μην εκθέτετε την μπαταρία σε νερό ή βροχή.
- Αν βραχυκυκλωθεί η μπαταρία, μπορεί να προκληθεί μεγάλη ροή ηλεκτρικού ρεύματος, υπερθέρμανση, πιθανά εγκαύματα και ακόμη και καταστροφή της μπαταρίας.

- Μην αποθηκεύετε το εργαλείο και την μπαταρία σε μέρη όπου η θερμοκρασία μπορεί να φτάσει ή να ξεπεράσει τους 50°C (122°F).
- Μην αποτεφρώνετε την μπαταρία ακόμη κι αν παρουσιάζει σοβαρή ζημιά ή είναι εκτελώς φθαρμένη. Η μπαταρία μπορεί να εκραγεί σε φωτιά.
- Να προσέχετε να μη σας πέσει η μπαταρία και να μη συγκρουστεί με κάποιο αντικείμενο.
- Μη χρησιμοποιήσετε μια μπαταρία που έχει πέσει κάτω ή είναι χτυπημένη.

ΦΥΛΑΞΤΕ ΑΥΤΕΣ ΤΙΣ ΟΔΗΓΙΕΣ.

Συμβουλές για τη διατήρηση της μέγιστης ζωής της μπαταρίας

- Να φορτίζετε την μπαταρία πριν αποφορτιστεί εντελώς.
Πάντοτε να διακόπτετε τη λειτουργία του εργαλείου και να φορτίζετε την μπαταρία όταν παρατηρείται μειωμένη ισχύ του εργαλείου.
- Ποτέ μην επαναφορτίζετε μια πλήρως φορτισμένη μπαταρία. Αν υπερφορτίσετε την μπαταρία, μειώνεται η ωφέλιμη διάρκεια ζωής της.
- Να φορτίζετε την μπαταρία σε θερμοκρασία δωματίου, δηλαδή στους 10°C έως 40°C (50°F έως 104°F). Αν η μπαταρία είναι θερμή, αφήστε την να ψυχθεί πριν τη φορτίσετε.

ΠΕΡΙΓΡΑΦΗ ΛΕΙΤΟΥΡΓΙΑΣ

⚠️ ΠΡΟΣΟΧΗ:

- Να βεβαιώνετε πάντοτε ότι έχετε σβήσει το εργαλείο και έχετε βγάλει την μπαταρία πριν ρυθμίσετε ή ελέγξετε κάποια λειτουργία του εργαλείου.

Τοποθέτηση ή αφαίρεση της μπαταρίας (Εικ. 1)

- Πάντοτε να σβήνετε το εργαλείο πριν βάζετε ή βγάξετε τη μπαταρία.

Ενδεικτική λυχνία	Κατάσταση	Ενέργεια που πρέπει να γίνει
Η λυχνία αναβοσβήνει στο κόκκινο.	Αυτό δείχνει τον κατάλληλο χρόνο για την αντικατάσταση της μπαταρίας όταν αυτή εξασθενήσει.	Επαναφορτίστε τη μπαταρία όσο το δυνατόν συντομότερα.
Η λυχνία ανάβει στο κόκκινο. (Σημείωση 1)	Αυτό συμβαίνει όταν σχεδόν αδειάσει η μπαταρία. Τη στιγμή αυτή σταματήστε αμέσως το εργαλείο.	Επαναφορτίστε τη μπαταρία.
Η λυχνία ανάβει στο κόκκινο. (Σημείωση 1)	Αυτόματη διακοπή λόγω υπερφόρτωσης.	Απενεργοποιήστε το εργαλείο.

Σημείωση 1: Ο χρόνος κατά τον οποίο η ενδεικτική λυχνία διαφέρει από τη θερμοκρασία γύρω από το χώρο εργασίας και τις συνθήκες της μπαταρίας.

ΛΕΙΤΟΥΡΓΙΑ

Πριν από την χρήση ανατρέξτε στις Οδηγίες Ασφαλείας.

⚠️ ΠΡΟΣΟΧΗ:

- Να προσέξετε να μην έρθετε σε επαφή κατά τύχη με ένα μεταλλικό φράκτη ή με άλλα σκληρά αντικείμενα

- Για να βγάλετε την μπαταρία, τραβήξτε την από το εργαλείο καθώς πιέζετε τα κουμπιά και στις δυο πλευρές της μπαταρίας.
- Για να τοποθετήσετε τη μπαταρία, κρατήστε τη έτσι ώστε η μπροστινή μορφή της μπαταρίας να ταιριάζει στο άνοιγμα στο οποίο τοποθετείται η μπαταρία και ολισθήστε την στη θέση της. Πάντοτε να την τοποθετείτε έως το τέρμα, δηλαδή έως ότου ασφαλίσει στη θέση και ακουστεί ένας χαρακτηριστικός ήχος “κλικ”. Σε αντίθετη περίπτωση, μπορεί να πέσει κατά λάθος από το εργαλείο και να τραυματίσει εσάς ή κάποιον παρευρισκόμενο.
- Να μη χρησιμοποιείτε δύναμη όταν τοποθετείτε την μπαταρία. Αν η μπαταρία δεν ολισθαίνει με ευκολία, δεν την εισήγατε σωστά.

Δράση διακοπής (Εικ. 2)

⚠️ ΠΡΟΣΟΧΗ:

- Πριν την τοποθέτηση της μπαταρίας στο εργαλείο, πάντοτε να ελέγχετε ότι η σκανδάλη-διακόπτης ενεργοποιείται κανονικά και επιστρέφει στη θέση “OFF” όταν την αφήνετε.

Για να μην πιέζεται η σκανδάλη-διακόπτης κατά λάθος, παρέχεται ένα κουμπί ασφάλισης. Για να ξεκινήσετε τη λειτουργία του εργαλείου, πιέστε το κουμπί ασφάλισης και πατήστε τη σκανδάλη-διακόπτη. Για να σταματήσετε τη συσκευή, αφήστε τη σκανδάλη-διακόπτη. Το κουμπί ασφάλισης μπορεί να πατηθεί από τη δεξιά ή από την αριστερή πλευρά.

Ενδεικτική λυχνία (Εικ. 3)

Όταν λειτουργεί το εργαλείο η ενδεικτική λυχνία δείχνει την κατάσταση χωρητικότητας της μπαταρίας. Όταν το εργαλείο υπερφορτωθεί και σταματήσει τη λειτουργία, η ενδεικτική λυχνία ανάβει στο κόκκινο. Ανατρέξτε στον παρακάτω πίνακα για την κατάσταση της ενδεικτικής λυχνίας και τις ενέργειες που πρέπει να γίνουν.

κατά το κλάδεμα. Η λεπίδα θα σπάσει και μπορεί να προκαλέσει σοβαρό τραυματισμό.

- Επίσης, δώστε προσοχή ώστε η λεπίδα του ψαλιδιού να μην έρθει σε επαφή με το έδαφος.
- Το υπερβολικό τέντωμα με το ψαλίδι μporντούρας, ιδιαίτερα από μια σκάλα είναι υπερβολικά επικίνδυνο. Να μην εργάζεστε από μια κινούμενη ή ασταθή θέση. (Εικ. 4)

Να μην προσπαθήσετε να κόψετε κλαδιά με διάμετρο πάχους μεγαλύτερη από 10 mm με αυτό το ψαλίδι. Αυτά θα πρέπει να κοπούν πρώτα με ψαλίδα μέχρι το επίπεδο του κλαδέματος του φράκτι.

ΠΡΟΣΟΧΗ:

- Μην κόβετε ξερά δένδρα ή παρόμοια σκληρά αντικείμενα. Αν δεν τηρήσετε αυτή την οδηγία, μπορεί να προκληθεί ζημιά στο εργαλείο.
- Μην κόβετε γρασιδί ή χόρτα χρησιμοποιώντας την λεπίδα του ψαλιδιού μπορντούρας. Η λεπίδα του ψαλιδιού μπορεί να μπλέξει μέσα στο γρασιδί ή στα χόρτα. **(Εικ. 5)**

Κρατήστε το ψαλίδι με το ένα χέρι, πατήστε το κουμπί ασφάλισης και τραβήξτε την σκανδάλη-διακόπτης και στη συνέχεια μετακινήστε το μπροστά από το σώμα σας. **(Εικ. 6)**

Για τη βασική λειτουργία, στρέψτε τις λεπίδες προς την διεύθυνση κλαδέματος και κινήστε το ήρεμα και αργά με μια ταχύτητα 3 - 4 δευτερολέπτων το μέτρο. **(Εικ. 7)**

Η ομοιόμορφη κοπή της κορυφής ενός φράκτι, γίνεται ευκολότερη με το δέσιμο μιας κλωστής στο επιθυμητό ύψος και το κλάδεμα κατά μήκος της, χρησιμοποιώντας την ως γραμμή αναφοράς. **(Εικ. 8)**

Η τοποθέτηση του συλλέκτη θραυσμάτων (αξεσουάρ) στο εργαλείο κατά το κλάδεμα του φράκτι σε ευθεία μπορεί να βοηθήσει στην αποφυγή του πετάγματος των κομμένων φύλλων. **(Εικ. 9)**

Για την ίδια κοπή των πλαινών του φράκτι, θα βοηθηθείτε εάν κόβετε από κάτω προς τα πάνω. **(Εικ. 10)**

Να κλαδεύετε ένα πυξό ή ένα ροδόδεντρο από τη βάση προς τα επάνω ώστε να γίνει μια καλή δουλειά και να δημιουργηθεί μια ωραία εμφάνιση.

Τοποθέτηση ή αφαίρεση του συλλέκτη θραυσμάτων (αξεσουάρ)

ΠΡΟΣΟΧΗ:

- Να βεβαιώνετε πάντοτε ότι έχετε σβήσει το εργαλείο και έχετε βγάλει την μπαταρία πριν την τοποθέτηση ή την αφαίρεση του συλλέκτη θραυσμάτων.

ΣΗΜΕΙΩΣΗ:

- Κατά την αντικατάσταση του συλλέκτη θραυσμάτων, πάντοτε να φοράτε γάντια έτσι ώστε τα χέρια σας και το πρόσωπό σας να μην έρχονται σε άμεση επαφή με τη λεπίδα. Αν δεν τηρήσετε αυτή την οδηγία, μπορεί να προκληθεί προσωπικός τραυματισμός.
- Κατά την επανατοποθέτηση του συλλέκτη θραυσμάτων, πάντοτε να προσέχετε ώστε να μην έρθετε σε επαφή με τις λεπίδες κοπής.
- Ο συλλέκτης θραυσμάτων δέχεται κομμένα φύλλα και μετριάζει το πέταγμα των φύλλων. Μπορείτε να τον τοποθετήσετε σε οποιαδήποτε πλευρά του εργαλείου. **(Εικ. 11)**

Τοποθετήστε τον συλλέκτη θραυσμάτων πάνω στις λεπίδες του ψαλιδιού έτσι ώστε οι σχισμές του να επικαλύπτουν τις βίδες των λεπίδων του ψαλιδιού. Για να αφαιρέσετε το συλλέκτη θραυσμάτων, ξεσφίξτε και αφαιρέστε τα δυο παξιμάδια σύσφιξης και στην συνέχεια αφαιρέστε τα.

ΣΥΝΤΗΡΗΣΗ

ΠΡΟΣΟΧΗ:

- Να βεβαιώνετε πάντοτε ότι έχετε σβήσει το εργαλείο και έχετε βγάλει την μπαταρία πριν εκτελέσετε οποιαδήποτε εργασία ελέγχου ή συντήρησης σε αυτό.

Καθαρισμός του εργαλείου

Καθαρίστε το εργαλείο σκουπίζοντας την σκόνη με ένα στεγνό πανί ή με ένα πανί βουτηγμένο σε σαπουνόνερο.

ΠΡΟΣΟΧΗ:

- Μην χρησιμοποιήσετε βενζίνη, βενζόλη, διαλυτικό, αλκοόλη ή κάτι παρόμοιο. Μπορεί να προκληθεί αποχρωματισμός, παραμόρφωση ή ρωγμές.

Συντήρηση των λεπίδων του ψαλιδιού (Εικ. 12)

Επαλείψτε την λεπίδα πριν από τη λειτουργία και μια φορά κάθε μια ώρα λειτουργίας, χρησιμοποιώντας μηχανικό λάδι ή κάτι παρόμοιο. **(Εικ. 13)**

Μετά τη λειτουργία, αφαιρέστε την σκόνη από τις δυο πλευρές της λεπίδας με μια συρματόβουρτσα, σκουπίστε με ένα πανί και μετά βάλτε αρκετό λάδι χαμηλού ιξώδους, όπως μηχανικό λάδι, κτλ. και λιπαντικό ψεκασμού.

ΠΡΟΣΟΧΗ:

- Μην πλύνετε τις λάμες με νερό. Αν δεν τηρήσετε αυτή την οδηγία, μπορεί να προκληθεί σκουριά ή φθορά στο εργαλείο.

Αφαίρεση ή τοποθέτηση των λεπίδων ψαλιδιού μπορντούρας

ΠΡΟΣΟΧΗ:

- Να βεβαιώνετε πάντοτε ότι έχετε σβήσει το εργαλείο και έχετε βγάλει την μπαταρία πριν την τοποθέτηση ή την αφαίρεση των λεπίδων του ψαλιδιού.
- Κατά την αντικατάσταση των λεπίδων του ψαλιδιού, πάντοτε να φοράτε γάντια χωρίς να αφαιρέσετε το κάλυμμα των λεπίδων έτσι ώστε τα χέρια σας και το πρόσωπό σας να μην έρχονται σε άμεση επαφή με τη λεπίδα. Αν δεν τηρήσετε αυτή την οδηγία, μπορεί να προκληθεί προσωπικός τραυματισμός.

ΣΗΜΕΙΩΣΗ:



- Μην σκουπίσετε το γράσο από το γρανάζι και το στρόφαλο. Αν δεν τηρήσετε αυτή την οδηγία, μπορεί να προκληθεί ζημιά στο εργαλείο.
- Για τον ειδικό τρόπο αφαίρεσης και τοποθέτησης των λεπίδων του ψαλιδιού ανατρέξτε στο πίσω μέρος της συσκευασίας για τις βοηθητικές λεπίδες του ψαλιδιού.

Αφαίρεση των λεπίδων του ψαλιδιού μπορντούρας (Εικ. 14)

ΠΡΟΣΟΧΗ:

- Τοποθετήστε το κάλυμμα των λεπίδων πριν από την αφαίρεση ή των τοποθέτηση των λεπίδων του ψαλιδιού.

Αναποδογυρίστε το εργαλείο. **(Εικ. 15)**

Για να αφαιρέσετε τις λεπίδες του ψαλιδιού, πατήστε τον μοχλό ασφάλισης και έχοντας τον πατημένο, στρέψτε το κάτω κάλυμμα αριστερόστροφο έως ότου το σύμβολο  στο κάτω κάλυμμα να ευθυγραμμιστεί με το σύμβολο  στο μοχλό ασφάλισης. **(Εικ. 16)**

Βγάλτε το κάτω κάλυμμα από το εργαλείο. **(Εικ. 17)**
Ξεσφίξτε τις δυο βίδες με ένα νόμισμα ή κάτι παρόμοιο και αφαιρέστε τις λεπίδες του ψαλιδιού.

ΣΗΜΕΙΩΣΗ:

- Μην αφαιρέσετε αυτές τις βίδες. Με ξεσφιγμένες τις βίδες αλλά όχι βγαλμένες, μπορούν να αφαιρεθούν οι λεπίδες του ψαλιδιού. **(Εικ. 18)**

Αφαιρέστε το στρόφαλο από τις λεπίδες του ψαλιδιού.

ΣΗΜΕΙΩΣΗ:

- Ο στρόφαλος μπορεί να παραμείνει στο εργαλείο.

Τοποθέτηση των λεπίδων του ψαλιδιού μπορντούρας (Εικ. 19)



Προετοιμάστε το στρόφαλο, το κάτω κάλυμμα και τις καινούργιες λεπίδες του ψαλιδιού. **(Εικ. 20)**
Ρυθμίστε τη θέση των τριών ανασταλτικών πείρων έτσι ώστε αυτοί οι τρεις πείροι να είναι ευθυγραμμισμένοι με την βασική γραμμή ευθυγράμμισης στο περίβλημα του εργαλείου. **(Εικ. 21)**


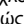
Τοποθετήστε το στρόφαλο πάνω στους ανασταλτικούς πείρους με το κοίλο τμήμα του να βλέπει προς τα κάτω. Τη στιγμή αυτή, ρίξτε λίγο γράσο στην περιφέρεια του στρόφαλου χρησιμοποιώντας είτε το γράσο που παρέχεται προαιρετικά με τις λεπίδες του ψαλιδιού είτε αυτό που βρίσκεται στο εσωτερικό του κιβωτίου ταχυτήτων. **(Εικ. 22)**

Αλληλεπικάλυψτε την ωοειδή τρύπα στην πάνω λεπίδα με αυτή στην κάτω. Μετακινήστε τις λεπίδες του ψαλιδιού έτσι ώστε η τρύπα της πλάκας έδρασης των λεπίδων του ψαλιδιού να βρίσκεται στο κέντρο αυτών των αλληλεπικαλυπτόμενων ωοειδών τρυπών. **(Εικ. 23)**
Αφαιρέστε το κάλυμμα των λεπίδων από τις παλιές λεπίδες του ψαλιδιού και ταιριάστε το πάνω στις νέες για τον εύκολο χειρισμό κατά την αντικατάσταση των λεπίδων. **(Εικ. 24)**

Αναποδογυρίστε τις λεπίδες του ψαλιδιού και τοποθετήστε τις έτσι ώστε ο πείρος στο εργαλείο να ταιριάζει στην τρύπα των λεπίδων του ψαλιδιού. Ταιριάστε το κυρτωμένο τμήμα της πλάκας έδρασης των λεπίδων του ψαλιδιού πάνω στην εγκοπή στο περίβλημα του εργαλείου. Στη συνέχεια σιγουρευτείτε ότι η πλάκα έδρασης των λεπίδων του ψαλιδιού είναι τοποθετημένη στο τόπο της. **(Εικ. 25)**

Σφίξτε καλά τις δυο βίδες με ένα νόμισμα ή κάτι παρόμοιο. **(Εικ. 26)**

Τοποθετήστε το κάτω κάλυμμα έτσι ώστε το σύμβολο  που βρίσκεται πάνω του να είναι ευθυγραμμισμένο με το σύμβολο  στο μοχλό ασφάλισης. **(Εικ. 27)**

Πιέστε κάτω το κάτω κάλυμμα και γυρίστε το δεξιόστροφο πιέζοντάς το προς τα κάτω μέχρι το σύμβολο  στην ετικέτα να ευθυγραμμιστεί με το σύμβολο  στον μοχλό ασφάλισης (το κάτω κάλυμμα είναι κλειδωμένο εντελώς). **(Εικ. 28)**

Τη στιγμή αυτή, βεβαιωθείτε ότι ο μοχλός ασφάλισης ταιριάζει στην εγκοπή του κάτω καλύμματος.

ΠΡΟΣΟΧΗ:

- Ποτέ να μην χρησιμοποιήσετε το εργαλείο χωρίς να έχετε τοποθετήσει το κάτω κάλυμμα πάνω του. Αφαιρέστε το κάλυμμα των λεπίδων και περιστρέψτε το εργαλείο για να ελέγξετε εάν κινείται κατάλληλα.

ΣΗΜΕΙΩΣΗ:

- Εάν οι λεπίδες του ψαλιδιού δεν λειτουργούν ομαλά τότε δεν είναι κατάλληλο το ταιρίασμα μεταξύ των

λεπίδων και του στρόφαλου. Εκτελέστε ξανά από την αρχή.

Αποθήκευση (Εικ. 29)

Η τρύπα του γαντζού στη βάση του εργαλείου είναι βολική για το κρέμασμα του εργαλείου από ένα καρφί ή μια βίδα στον τοίχο.

Τοποθετήστε το κάλυμμα των λεπίδων πάνω στις λεπίδες του ψαλιδιού έτσι ώστε οι λεπίδες να μην είναι εκτεθειμένες. Αποθηκεύστε προσεκτικά το εργαλείο σε χώρο όπου βρίσκεται μακριά από την πρόσβαση των παιδιών.

Αποθηκεύστε το εργαλείο σε ένα χώρο που δεν είναι εκτεθειμένος στο νερό ή στη βροχή.

Για να διατηρείται η ΑΣΦΑΛΕΙΑ και η ΑΞΙΟΠΙΣΤΙΑ του προϊόντος, οι εργασίες επισκευής, ο έλεγχος και η αλλαγή των καρβουνακίων, καθώς και οποιαδήποτε άλλη εργασία συντήρησης και ρύθμισης, θα πρέπει να εκτελούνται σε εξουσιοδοτημένα κέντρα εξυπηρέτησης της Makita, και πάντοτε με τη χρήση ανταλλακτικών της Makita.

ΑΞΕΣΟΥΡ

ΠΡΟΣΟΧΗ:

- Συνιστάται η χρήση αυτών των αξεσουάρ ή εξαρτημάτων με το εργαλείο της Makita, όπως περιγράφεται στο παρόν εγχειρίδιο. Αν χρησιμοποιήσετε άλλα αξεσουάρ ή εξαρτήματα μπορεί να παρουσιαστεί κίνδυνος για πρόκληση τραυματισμού προσωπών. Να χρησιμοποιείτε τα αξεσουάρ και τα εξαρτήματα μόνο για το σκοπό για τον οποίο προορίζονται.

Αν χρειάζεστε κάποια βοήθεια ή περισσότερες πληροφορίες σχετικά με τα αξεσουάρ αυτά, απευθυνθείτε στο πλησιέστερο κέντρο εξυπηρέτησης της Makita.

- Κάλυμμα λεπίδας ψαλιδιού μπορντούρας
- Συγκρότημα λεπίδας ψαλιδιού μπορντούρας
- Συλλέκτης θραυσμάτων για κλάδεμα φρακτών
- Αυθεντική μπαταρία και φορτιστής της Makita

Για χρήση με το ψαλίδι γρασιδιού μπαταρίας (Εικ. 30)

Αυτό το εργαλείο μπορεί να χρησιμοποιηθεί ως ψαλίδι γρασιδιού χρησιμοποιώντας την λεπίδα του ψαλιδιού για γρασίδι (προαιρετικό αξεσουάρ) και ένα αμφίδρομο σετ αλλαγής (προαιρετικό αξεσουάρ).

Για να χρησιμοποιήσετε το εργαλείο ως ψαλίδι γρασιδιού, απαιτείται η αντικατάσταση των λεπίδων ψαλιδιού μπορντούρας από τις λεπίδες ψαλιδιού για γρασίδι.

Για την αφαίρεση των λεπίδων ψαλιδιού μπορντούρας,

ανατρέξτε στην προαναφερόμενη ενότητα με τίτλο

“Αφαίρεση των λεπίδων του ψαλιδιού μπορντούρας”

Για την τοποθέτηση των λεπίδων ψαλιδιού για γρασίδι,

ανατρέξτε στην παρακάτω ενότητα με τίτλο “Τοποθέτηση

ή αφαίρεση των λεπίδων ψαλιδιού για γρασίδι”.

- Συγκρότημα λεπίδων ψαλιδιού γρασιδιού (για το Ψαλίδι Γρασιδιού)
- Αμφίδρομο σετ αλλαγής αποτελούμενο από τα παρακάτω τρία αξεσουάρ
- Κάλυμμα λεπίδας ψαλιδιού για γρασίδι (για το Ψαλίδι Γρασιδιού)
- Οήκη αποθήκευσης (για το τμήμα της βάσης της λεπίδας)
- Πλαίσιο βάσης (για το Ψαλίδι Γρασιδιού)

- Προσάρτημα μακριάς λαβής (για το Ψαλίδι Γρασιδιού)

ΣΥΝΑΡΜΟΛΟΓΗΣΗ

⚠️ ΠΡΟΣΟΧΗ:

- Να βεβαιώνετε πάντοτε ότι έχετε σβήσει το εργαλείο και έχετε βγάλει την μπαταρία πριν εκτελέσετε οποιαδήποτε εργασία σε αυτό.

Τοποθέτηση ή αφαίρεση του καλύμματος της λεπίδας (Εικ. 31 και 32)

⚠️ ΠΡΟΣΟΧΗ:

- Προσέξτε να μην έρθετε σε επαφή με την λεπίδα του ψαλιδιού κατά την τοποθέτηση ή την αφαίρεση του καλύμματος της λεπίδας. Η επαφή με την λεπίδα του ψαλιδιού μπορεί να προκαλέσει προσωπικό τραυματισμό.

Σύρτε το κάλυμμα της λεπίδας από την πλευρά του εργαλείου έως ότου η λεπίδα του ψαλιδιού να καλυφθεί πλήρως και στη συνέχεια τραβήξτε την ελαφρώς προς το εργαλείο από μπροστά.

Για να αφαιρέσετε το κάλυμμα της λεπίδας, ακολουθήστε τη διαδικασία τοποθέτησης με αντίστροφη σειρά.

Τοποθέτηση και αφαίρεση λεπίδων ψαλιδιού για γρασιδί.

⚠️ ΠΡΟΣΟΧΗ:

- Να βεβαιώνετε πάντοτε ότι έχετε σβήσει το εργαλείο και έχετε βγάλει την μπαταρία πριν την τοποθέτηση ή την αφαίρεση των λεπίδων του ψαλιδιού. Αν δεν σβήσετε το εργαλείο και δεν αφαιρέσετε την μπαταρία από το εργαλείο μπορεί να προκληθεί σοβαρός τραυματισμός από τυχαία εκκίνηση.
- Κατά την αντικατάσταση της λεπίδας του ψαλιδιού, πάντοτε να φοράτε γάντια χωρίς να αφαιρέσετε το κάλυμμα των λεπίδων έτσι ώστε τα χέρια σας και το πρόσωπό σας να μην έρχονται σε άμεση επαφή με τη λεπίδα. Αν δεν τηρήσετε αυτή την οδηγία, μπορεί να προκληθεί προσωπικός τραυματισμός.

ΣΗΜΕΙΩΣΗ:

- Μην σκουπίσετε το γράσο από το γρανάζι και το στρόφαλο. Αν δεν τηρήσετε αυτή την οδηγία, μπορεί να προκληθεί ζημιά στο εργαλείο.
- Για τον ειδικό τρόπο αφαίρεσης και τοποθέτησης των λεπίδων του ψαλιδιού ανατρέξτε στο πίσω μέρος της συσκευασίας για τις βοηθητικές λεπίδες ψαλιδιού. (Εικ. 33)

Για να τοποθετήσετε την λεπίδα του ψαλιδιού γρασιδιού, ετοιμάστε τον στρόφαλο, το κάτω κάλυμμα και μια νέα λεπίδα ψαλιδιού γρασιδιού. (Εικ. 34)

Αφαιρέστε το κάλυμμα των λεπίδων από τις παλιές λεπίδες του ψαλιδιού και ταιριάστε το πάνω στις νέες για τον εύκολο χειρισμό κατά την αντικατάσταση των λεπίδων. (Εικ. 35)

Προσαρμόστε τη θέση των τριών ανασταλτικών πείρων έτσι ώστε να είναι ευθυγραμμισμένοι σε δεξιά γωνία σε σχέση με την βασική γραμμή ευθυγράμμισης στο περιβλήμα του εργαλείου. (Εικ. 36)

Τοποθετήστε το στρόφαλο πάνω στους ανασταλτικούς πείρους με το κόλλο τμήμα του να βλέπει προς τα επάνω. Τη στιγμή αυτή, ριζέτε λίγο γράσο στην περιφέρεια του στρόφαλου χρησιμοποιώντας είτε το γράσο που

παρέχεται προαιρετικά με τις λεπίδες του ψαλιδιού είτε αυτό που βρίσκεται στο εσωτερικό του κιβωτίου ταχυτήτων. (Εικ. 37)

Αλληλεπικαλύψτε την ωοειδή τρύπα στην πάνω λεπίδα με αυτή στην κάτω. Μετακινήστε τις λεπίδες του ψαλιδιού έτσι ώστε η τρύπα της πλάκας έδρασης των λεπίδων του ψαλιδιού να βρίσκεται στο κέντρο αυτών των αλληλεπικαλυπτόμενων ωοειδών τρυπών. (Εικ. 38)

Αναποδογυρίστε τις λεπίδες του ψαλιδιού και τοποθετήστε τις έτσι ώστε οι ανασταλτικοί πείροι στο εργαλείο να ταιριάζουν στην τρύπα των λεπίδων του ψαλιδιού. Βεβαιωθείτε ότι οι λεπίδες του ψαλιδιού είναι τοποθετημένες σταθερά στη θέση τους όσο περισσότερο μπορούν να εφάπτονται πάνω στη πλάκα έδρασης. (Εικ. 39)

Τοποθετήστε το κάτω κάλυμμα έτσι ώστε το σύμβολο Ⓐ που βρίσκεται πάνω του να είναι ευθυγραμμισμένο με το σύμβολο Δ στο μοχλό ασφάλισης. (Εικ. 40)
Πιέστε κάτω το κάτω κάλυμμα και γυρίστε το δεξιόστροφα πιέζοντας το προς τα κάτω μέχρι το σύμβολο Ⓑ στην ετικέτα να ευθυγραμμιστεί με το σύμβολο Δ στον μοχλό ασφάλισης (το κάτω κάλυμμα είναι κλειδωμένο εντελώς). (Εικ. 41)

Τη στιγμή αυτή, βεβαιωθείτε ότι ο μοχλός ασφάλισης ταιριάζει στην εγκοπή του κάτω καλύμματος. Αφαιρέστε το κάλυμμα των λεπίδων και περιστρέψτε το εργαλείο για να ελέγξετε εάν κινείται κατάλληλα.

ΣΗΜΕΙΩΣΗ:

- Εάν οι λεπίδες του ψαλιδιού δεν λειτουργούν ομαλά τότε δεν είναι κατάλληλο το ταιρίασμα μεταξύ των λεπίδων και του στρόφαλου. Εκτελέστε ξανά από την αρχή. (Εικ. 42)

Αφαιρέστε το πλαίσιο της βάσης, αναποδογυρίστε το εργαλείο και τοποθετήστε το κάτω.

⚠️ ΠΡΟΣΟΧΗ:

- Πριν τοποθετήσετε κάτω το αναποδογυρισμένο εργαλείο, βεβαιωθείτε ότι έχετε αφαιρέσει το πλαίσιο της βάσης. (Εικ. 43)

Για να αφαιρέσετε τη λεπίδα του ψαλιδιού, πατήστε τον μοχλό ασφάλισης και έχοντας τον πατημένο, στρέψτε το κάτω κάλυμμα αριστερόστροφα έως ότου το σύμβολο Ⓐ στο κάτω κάλυμμα να ευθυγραμμιστεί με το σύμβολο Δ στο μοχλό ασφάλισης. (Εικ. 44)

Βγάλτε στη σειρά το κάτω κάλυμμα, την λεπίδα κοπής και το στρόφαλο από το εργαλείο. (Εικ. 45)

ΣΗΜΕΙΩΣΗ:

- Για τη διπλή χρήση, η βγαλμένη λεπίδα ψαλιδιού για γρασιδί πρέπει να τοποθετηθεί στην αποθηκευτική θήκη της λεπίδας για μελλοντική χρήση.

Τοποθέτηση ή αφαίρεση του πλαισίου της βάσης

⚠️ ΠΡΟΣΟΧΗ:

- Πριν τοποθετήσετε ή αφαιρέσετε το πλαίσιο της βάσης, φροντίστε να τοποθετήσετε το κάλυμμα της λεπίδας.
- Κατά την τοποθέτηση ή την αφαίρεση του πλαισίου της βάσης, φροντίστε ώστε τα δάχτυλά σας να μην παγιδευτούν μεταξύ του εργαλείου και του πλαισίου της βάσης. (Εικ. 46)

Για να αφαιρέσετε το πλαίσιο της βάσης, αναποδογυρίστε το εργαλείο και βγάλτε το έξω από την εγκοπή που ακιτριώνει το κάτω μέρος του. (Εικ. 47)

Για να τοποθετήσετε το πλαίσιο της βάσης, ταιριάστε την προεξοχή της βάσης του πλαισίου κοντά στο μοχλό αλλαγής μέσα στην τρύπα για την αντίστοιχη ρύθμιση του ύψους κοπής του γρασιδιού. Έχοντας έτσι τοποθετημένο το πλαίσιο της βάσης, τραβήξτε το κατώτερο τμήμα του πλαισίου της βάσης και τοποθετήστε το άλλο τμήμα του πλαισίου της βάσης μέσα στην εγκοπή στο εργαλείο.

Ρύθμιση του ύψους κοπής (Εικ. 48)

Η αλλαγή της θέσης διακράτησης του μοχλού αλλαγής επιτρέπει την ρύθμιση τριών θέσεων του ύψους κοπή του γρασιδιού (10 mm, 15 mm, 25 mm).

Για να αλλάξετε τη ρύθμιση, δώστε κλίση στο μοχλό αλλαγής σε σχέση με τη θέση του πλαισίου της βάσης και με τον μοχλό αλλαγής υπό κλίση, μετακινήστε τον πάνω ή κάτω κατά μήκος της επιφάνειας του εργαλείου έως ότου η προεξοχή στο πλαίσιο της βάσης να ταιριάζει σε μία από τις τρύπες στο εργαλείο και αφήστε τον ελεύθερο.

ΛΕΙΤΟΥΡΓΙΑ

⚠ ΠΡΟΕΙΔΟΠΟΙΗΣΗ:

- Κρατήστε τα χέρια σας μακριά από τις λεπίδες.

⚠ ΠΡΟΣΟΧΗ:

- Επαλείψτε την λεπίδα πριν από τη λειτουργία και μια φορά κάθε μια ώρα λειτουργίας, χρησιμοποιώντας μηχανικό λάδι ή κάτι παρόμοιο.
- Αποφεύγετε να λειτουργείτε με εργαλείο κάτω από τον καυτό ήλιο όσο το δυνατόν είναι εφικτό. Κατά την χρήση του εργαλείου δώστε προσοχή στις φυσικές σας συνθήκες. (Εικ. 49)

Ενεργοποιήστε το εργαλείο μετά την ρύθμιση του ύψους κοπής και κρατήστε το έτσι ώστε το πόδι του εργαλείου να ακουμπά στο έδαφος. Στη συνέχεια μετακινήστε το εργαλείο ομαλά προς τα εμπρός στην περιοχή κοπής. (Εικ. 50)

Κατά το κόψιμο γύρω από κρσάπεδα φράκτες ή δέντρα, μετακινήστε το εργαλείο γύρω τους. Προσέξτε ώστε η λεπίδα να μην έρθει σε επαφή με αυτά. (Εικ. 51)

Κατά την κοπή βλαστών ή της φυλλωσιάς ενός μικρού δέντρου, αφαιρέστε το πλαίσιο της βάσης από το εργαλείο και κόβετε σιγά σιγά.

Κόψτε από πριν τα μεγάλα κλαδιά στο επιθυμητό σας ύψος χρησιμοποιώντας μια ψαλίδα πριν χρησιμοποιήσετε το εργαλείο.

⚠ ΠΡΟΣΟΧΗ:

- Κατά την κοπή κλαδιών ή φυλλωσιάς, μην προσπαθήσετε να τα κόψετε μαζεμένα την κάθε φορά. Προχωρήστε ομαλά. Επίσης μην προσπαθήσετε να κόψετε χοντρά κλαδιά.
- Μην επιτρέψετε στις λεπίδες του ψαλιδιού να έρθουν σε επαφή με το έδαφος κατά την λειτουργία. Οι λεπίδες θα στομαώσουν, μειώνοντας την απόδοση.
- Μην κόβετε υγρό χόρτο ή φυλλωσιά ή μικρά δέντρα.

Θόρυβος

ENG104-2

Το σύνθετο σταθμισμένο επίπεδο θορύβου που έχει καθοριστεί σύμφωνα με την EN60745:

Επίπεδο ηχητικής πίεσης (L_{pA}): 73,7 dB (A)
Αβεβαιότητα (K): 2,5 dB (A)

Το επίπεδο θορύβου κατά τη λειτουργία ενδέχεται να υπερβεί τα 80 dB (A).

Να φοράτε ωτοασπίδες.

Δόνηση

ENG244-1

Η τιμή εκπομπής δόνησης έχει καθοριστεί σύμφωνα με το EN60745:

Εκπομπή δόνησης (a_{h1}): 2,5 m/s² ή λιγότερο
Αβεβαιότητα (K): 1,5 m/s²

ENG901-1

- Η δηλωθείσα τιμή των παραγομένων κραδασμών έχει καταμετρηθεί σύμφωνα με την τυποποιημένη μέθοδο δοκιμασίας και μπορεί να χρησιμοποιηθεί για την σύγκριση ενός εργαλείου με ένα άλλο.
- Η δηλωθείσα τιμή των παραγομένων κραδασμών μπορεί επίσης να χρησιμοποιηθεί για μια προκαταρκτική αξιολόγηση της έκθεσης στους κραδασμούς.

⚠ ΠΡΟΕΙΔΟΠΟΙΗΣΗ:

- Η εκπομπή κραδασμών κατά τη διάρκεια της πραγματικής χρήσης του ηλεκτρικού εργαλείου μπορεί να διαφέρει από τη δηλωθείσα τιμή των εκπομπών, ανάλογα με τον τρόπο με τον οποίο χρησιμοποιείται το εργαλείο.
- Φροντίστε να λάβετε τα μέτρα ασφαλείας που απαιτούνται για την προστασία του χρήστη που βασίζονται σε μια εκτίμηση της έκθεσης σε πραγματικές συνθήκες χρήσης (λαμβάνοντας υπόψη όλα τα μέρη του κύκλου λειτουργίας, όπως είναι οι περιπτώσεις κατά τις οποίες το εργαλείο είναι απενεργοποιημένο και όταν λειτουργεί στο ρελαντί επιστροφής του χρόνου κατά τον οποίο το εργαλείο βρισκείται σε χρήση).

Για Ευρωπαϊκές χώρες μόνο

ENH021-5

ΕΚ – Δήλωση συμμόρφωσης

Η Εταιρία Makita ως υπεύθυνος κατασκευαστής, δηλώνει ότι το παρακάτω μηχάνημα ή μηχανήματα της Makita:

Όνομασία Μηχανήματος:

Ψαλίδι μπροντούρας μπαταρίας

Αρ. Μοντέλου/ Τύπος: UH200D

Προδιαγραφές: δείτε τον πίνακα "ΠΡΟΔΙΑΓΡΑΦΕΣ".

αποτελεί παραγωγή σε σειρά και

Συμμορφώνεται με τις ακόλουθες Ευρωπαϊκές Οδηγίες:

2000/14/ΕΚ, 2006/42/ΕΚ

Και κατασκευάζεται σύμφωνα με τα παρακάτω πρότυπα ή τυποποιημένα έγγραφα:

EN60745

Ο εξουσιοδοτημένος μας αντιπρόσωπος στην Ευρώπη διατηρεί τα τεχνικά έγγραφα, ο οποίος είναι:

Makita International Europe Ltd.,
Michigan, Drive, Tongwell,
Milton Keynes, MK15 8JD, England

Η διαδικασία εκτίμησης συμμόρφωσης που απαιτείται από την Οδηγία 2000/14/ΕΚ εκτελέστηκε σύμφωνα με το παράρτημα V.

Μετρημένο Επίπεδο Ηχητικής Ισχύος: 81,8 dB

Εγγυημένο Επίπεδο Ηχητικής Ισχύος: 84 dB

27η Αυγούστου 2009



Tomoyasu Kato
Διευθυντής

Makita Corporation
3-11-8, Sumiyoshi-cho,
Anjo, Aichi, JAPAN

Makita Corporation
Anjo, Aichi, Japan

884948-999