

**Robert Bosch Power Tools GmbH**  
70538 Stuttgart  
GERMANY

[www.bosch-pt.com](http://www.bosch-pt.com)

**1 609 92A 1XH** (2014.04) I / 39



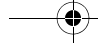
1 609 92A 1XH

## GDS 24 Professional GDS 30 Professional

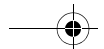
 **BOSCH**

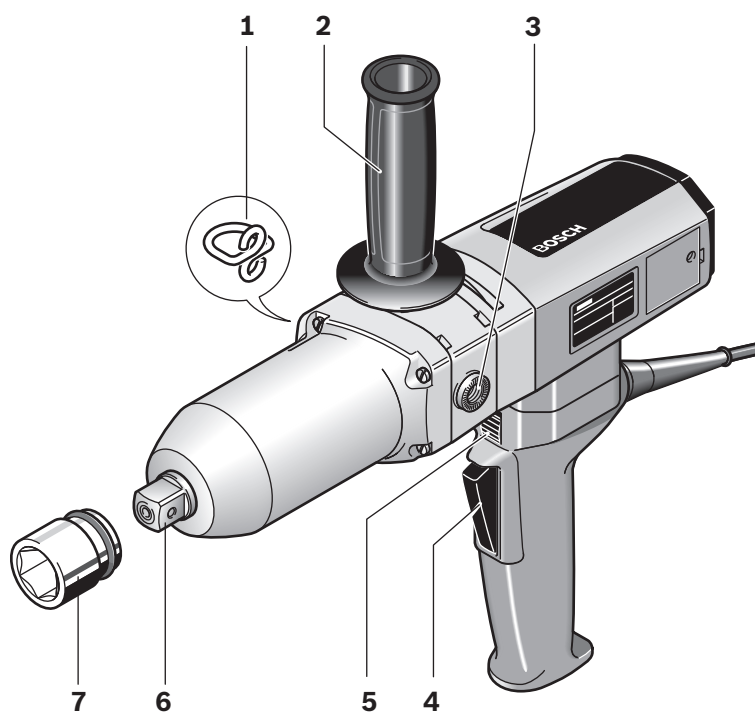
- en Original instructions
- cn 正本使用说明书
- tw 原始使用說明書
- ko 사용 설명서 원본
- th หนังสือคู่มือการใช้งานฉบับต้นแบบ
- id Petunjuk-Petunjuk untuk Penggunaan Orisinal
- vi Bản gốc hướng dẫn sử dụng





English ..... Page 4  
 中文 . . . . . 页 9  
 中文 . . . . . 頁 14  
 한국어 . . . . . 페이지 18  
 ภาษาไทย..... หน้า 22  
 Bahasa Indonesia ..... Halaman 27  
 Tiếng Việt . . . . . Trang 32





GDS 24 Professional  
GDS 30 Professional

## English

### Safety Notes

#### General Power Tool Safety Warnings

**⚠ WARNING** Read all safety warnings and all instructions. Failure to follow the warnings and instructions may result in electric shock, fire and/or serious injury.

#### Save all warnings and instructions for future reference.

The term "power tool" in the warnings refers to your mains-operated (corded) power tool or battery-operated (cordless) power tool.

#### Work area safety

- ▶ **Keep work area clean and well lit.** Cluttered or dark areas invite accidents.
- ▶ **Do not operate power tools in explosive atmospheres, such as in the presence of flammable liquids, gases or dust.** Power tools create sparks which may ignite the dust or fumes.
- ▶ **Keep children and bystanders away while operating a power tool.** Distractions can cause you to lose control.

#### Electrical safety

- ▶ **Power tool plugs must match the outlet. Never modify the plug in any way. Do not use any adapter plugs with earthed (grounded) power tools.** Unmodified plugs and matching outlets will reduce risk of electric shock.
- ▶ **Avoid body contact with earthed or grounded surfaces, such as pipes, radiators, ranges and refrigerators.** There is an increased risk of electric shock if your body is earthed or grounded.
- ▶ **Do not expose power tools to rain or wet conditions.** Water entering a power tool will increase the risk of electric shock.
- ▶ **Do not abuse the cord. Never use the cord for carrying, pulling or unplugging the power tool. Keep cord away from heat, oil, sharp edges and moving parts.** Damaged or entangled cords increase the risk of electric shock.
- ▶ **When operating a power tool outdoors, use an extension cord suitable for outdoor use.** Use of a cord suitable for outdoor use reduces the risk of electric shock.
- ▶ **If operating a power tool in a damp location is unavoidable, use a residual current device (RCD) protected supply.** Use of an RCD reduces the risk of electric shock.

#### Personal safety

- ▶ **Stay alert, watch what you are doing and use common sense when operating a power tool. Do not use a power tool while you are tired or under the influence of drugs, alcohol or medication.** A moment of inattention while operating power tools may result in serious personal injury.
- ▶ **Use personal protective equipment. Always wear eye protection.** Protective equipment such as dust mask, non-skid safety shoes, hard hat, or hearing protection

used for appropriate conditions will reduce personal injuries.

- ▶ **Prevent unintentional starting. Ensure the switch is in the off-position before connecting to power source and/or battery pack, picking up or carrying the tool.** Carrying power tools with your finger on the switch or energising power tools that have the switch on invites accidents.
- ▶ **Remove any adjusting key or wrench before turning the power tool on.** A wrench or a key left attached to a rotating part of the power tool may result in personal injury.
- ▶ **Do not overreach. Keep proper footing and balance at all times.** This enables better control of the power tool in unexpected situations.
- ▶ **Dress properly. Do not wear loose clothing or jewellery. Keep your hair, clothing and gloves away from moving parts.** Loose clothes, jewellery or long hair can be caught in moving parts.
- ▶ **If devices are provided for the connection of dust extraction and collection facilities, ensure these are connected and properly used.** Use of dust collection can reduce dust-related hazards.

#### Power tool use and care

- ▶ **Do not force the power tool. Use the correct power tool for your application.** The correct power tool will do the job better and safer at the rate for which it was designed.
- ▶ **Do not use the power tool if the switch does not turn it on and off.** Any power tool that cannot be controlled with the switch is dangerous and must be repaired.
- ▶ **Disconnect the plug from the power source and/or the battery pack from the power tool before making any adjustments, changing accessories, or storing power tools.** Such preventive safety measures reduce the risk of starting the power tool accidentally.
- ▶ **Store idle power tools out of the reach of children and do not allow persons unfamiliar with the power tool or these instructions to operate the power tool.** Power tools are dangerous in the hands of untrained users.
- ▶ **Maintain power tools. Check for misalignment or binding of moving parts, breakage of parts and any other condition that may affect the power tool's operation. If damaged, have the power tool repaired before use.** Many accidents are caused by poorly maintained power tools.
- ▶ **Keep cutting tools sharp and clean.** Properly maintained cutting tools with sharp cutting edges are less likely to bind and are easier to control.
- ▶ **Use the power tool, accessories and tool bits etc. in accordance with these instructions, taking into account the working conditions and the work to be performed.** Use of the power tool for operations different from those intended could result in a hazardous situation.

#### Service

- ▶ **Have your power tool serviced by a qualified repair person using only identical replacement parts.** This will ensure that the safety of the power tool is maintained.

### Safety Warnings for Impact Wrenches

- ▶ **Hold power tool by insulated gripping surfaces, when performing an operation where the fastener may contact hidden wiring or its own cord.** Fasteners contacting a "live" wire may make exposed metal parts of the power tool "live" and could give the operator an electric shock.
- ▶ **Never use the machine with a damaged cable. Do not touch the damaged cable and pull the mains plug when the cable is damaged while working.** Damaged cables increase the risk of an electric shock.
- ▶ **Use auxiliary handle(s), if supplied with the tool.** Loss of control can cause personal injury.
- ▶ **Hold the machine with a firm grip.** High reaction torque can briefly occur while driving in and loosening screws.
- ▶ **When working with the machine, always hold it firmly with both hands and provide for a secure stance.** The power tool is guided more secure with both hands.
- ▶ **Secure the workpiece.** A workpiece clamped with clamping devices or in a vice is held more secure than by hand.
- ▶ **Always wait until the machine has come to a complete stop before placing it down.** The tool insert can jam and lead to loss of control over the power tool.

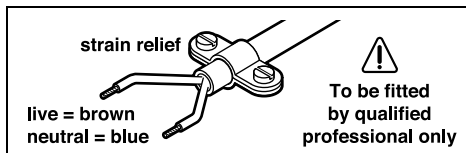
**Products sold in GB only:** Your product is fitted with a BS 1363/A approved electric plug with internal fuse (ASTA approved to BS 1362).

If the plug is not suitable for your socket outlets, it should be cut off and an appropriate plug fitted in its place by an authorised customer service agent. The replacement plug should have the same fuse rating as the original plug.

The severed plug must be disposed of to avoid a possible shock hazard and should never be inserted into a mains socket elsewhere.

**WARNING! Important instructions for connecting a new 3-pin plug to the 2-wire cable.**

The wires in the cable are coloured according to the following code:



### Technical Data

Impact Wrench	GDS 24	GDS 30
Article number		0 601 434 1..
		0 601 435 1..
Rated power input	W	800
		920
Output power	W	400
		500
No-load speed	min <sup>-1</sup>	1260
		1260
Max. torque for hard/soft screwdriving application according to ISO 5393	Nm	600/300
		1000/500
Right/left rotation		● ●

The values given are valid for a nominal voltage [U] of 230 V. For different voltages and models for specific countries, these values can vary.

Do **not** connect the blue or brown wire to the earth terminal of the plug.

**Important:** If for any reason the moulded plug is removed from the cable of this power tool, it must be disposed of safely.

**Products sold in AUS an NZ only:** Use a residual current device (RCD) with a rated residual current of 30 mA or less.

### Product Description and Specifications



**Read all safety warnings and all instructions.** Failure to follow the warnings and instructions may result in electric shock, fire and/or serious injury.

While reading the operating instructions, unfold the graphics page for the machine and leave it open.

#### Intended Use

The machine is intended for driving in and loosening screws and bolts as well as for tightening and loosening nuts within the respective range of dimension.

#### Product Features

The numbering of the product features refers to the illustration of the machine on the graphics page.

- 1 Suspension hook
- 2 Auxiliary handle
- 3 Threaded for auxiliary handle
- 5 On/Off switch
- 5 Rotational direction switch
- 6 Tool holder
- 7 Tool bit
- 8 Handle (insulated gripping surface)

**Accessories shown or described are not part of the standard delivery scope of the product. A complete overview of accessories can be found in our accessories program.**

## 6 | English

Impact Wrench	GDS 24	GDS 30
Max. screw dia.		M 24 M 30
Tool holder		■ ¾" ■ 1"
Weight according to EPTA-Procedure 01:2014	kg	5.7 7.3
Protection class		□ / II □ / II

The values given are valid for a nominal voltage [U] of 230 V. For different voltages and models for specific countries, these values can vary.

## Assembly

### Changing the Tool

- ▶ **Before any work on the machine itself, pull the mains plug.**
- ▶ **When working with an application tool, pay attention that the application tool is firmly seated on the tool holder.** When the application tool is not firmly connected with the tool holder, it can come loose again and not be controlled.

Slide the application tool **7** onto the square drive of the tool holder **6**.

## Operation

### Method of Operation

The tool holder **6** with the tool is driven by an electric motor via a gear and impact mechanism.

The working procedure is divided into two phases:

**Screwing in and tightening** (impact mechanism in action). The impact mechanism is activated as soon as the screwed connection runs tight and thus load is put on the motor. In this instance, the impact mechanism converts the power of the motor to steady rotary impacts. When loosening screws or nuts, the process is reversed.

### Starting Operation

- ▶ **Observe correct mains voltage! The voltage of the power source must agree with the voltage specified on the nameplate of the machine. Power tools marked with 230 V can also be operated with 220 V.**

### Reversing the rotational direction

- ▶ **Actuate the rotational direction switch **5** only when the machine is at a standstill.**

The rotational direction switch **5** is used to reverse the rotational direction of the machine.

**Right rotation:** Press the rotational direction switch **5** downward to the stop (R).

**Left rotation:** Press the rotational direction switch **5** upward to the stop (L).

### Switching On and Off

To **start** the machine, press the On/Off switch **5** and keep it pressed.

To **switch off** the machine, release the On/Off switch **5**.

To save energy, only switch the power tool on when using it.

## Working Advice

- ▶ **Before any work on the machine itself, pull the mains plug.**
- ▶ **Operate your machine only with the auxiliary handle **2**.**
- ▶ **Apply the power tool to the screw/nut only when it is switched off.** Rotating tool inserts can slip off.

The torque depends on the impact duration. The maximum achieved torque results from the sum of all individual torques achieved through impact. The maximum torque is achieved after an impact duration of 6-10 seconds. After this duration, the tightening torque is increased only minimally.

However, the transmission housing heats up noticeably.

**Note:** The consequences of excessive heating-up are high wear of all hammer mechanism components and a high requirement of lubricant.

The impact duration is to be determined for each required tightening torque. The actually achieved tightening torque is always to be checked with a torque wrench.

### Screw Applications with Hard, Spring-loaded or Soft Seat

When in a test, the achieved torques in an impact series are measured and transferred into a diagram, resulting in the curve of a torque characteristic. The height of the curve corresponds with the maximum reachable torque, and the steepness indicates the duration in which this is achieved.

A torque gradient depends on the following factors:

- Strength properties of the screws/nuts
- Type of backing (washer, disc spring, seal)
- Strength properties of the material being screwed/bolted together
- Lubrication conditions at the screw/bolt connection

The following application cases result accordingly:

- A **hard seat** is given for metal-to-metal screw applications with the use of washers. After a relatively short impact duration, the maximum torque is reached (steep characteristic curve). Unnecessary long impact duration only causes damage to the machine.
- A **spring-loaded seat** is given for metal-to-metal screw applications, however with the use of spring washers, disc springs, studs or screws/nuts with conical seat as well as when using extensions.
- A **soft seat** is given for screw applications, e. g., metal on wood or when using lead washers or fibre washers as backing.

For a spring-loaded seat as well as for a soft seat, the maximum tightening torque is lower than for a hard seat. Also, a clearly longer impact duration is required.

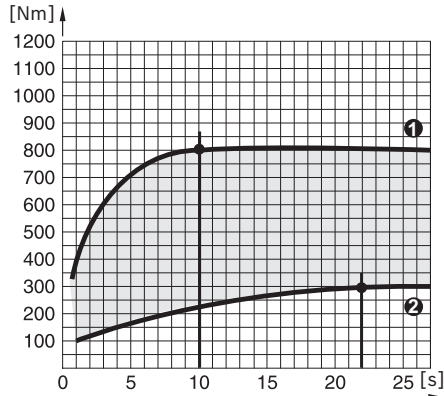
### Determining the Impact Duration

The diagrams (examples) indicate that the tightening torque [Nm] depends on the impact duration [s]:

- ❶ For a hard seat
- ❷ For a soft seat.

The data are mean values and vary depending on the application. As a control measure, always check the tightening torque with a torque wrench.

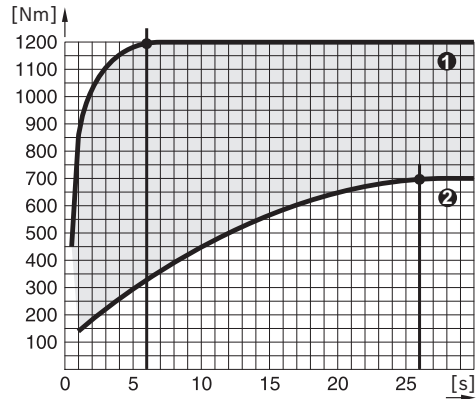
#### Diagram for GDS 24



The highest torque is achieved:

- for a hard seat after approx. 10 seconds of impact
- for a soft seat after approx. 22 seconds of impact

#### Diagram for GDS 30



The highest torque is achieved:

- for a hard seat after approx. 6 seconds of impact
- for a soft seat after approx. 26 seconds of impact

For reference values for the maximum tightening torques of commercially available screw/bolts, see the following table.

### Reference Values for Maximum Screw/Bolt Tightening Torques

Calculated from the tensional cross-section; utilization of the yield point 90 % (with friction coefficient  $\mu_{total} = 0.12$ ). As a control measure, always check the tightening torque with a torque wrench.

Property Classes according to DIN 267	Standard Screws/Bolts							High-strength Bolts			
	3.6	4.6	5.6	4.8	6.6	5.8	6.8	6.9	8.8	10.9	12.9
M 8	6.57	8.7	11	11.6	13.1	14.6	17.5	19.7	23	33	39
M 10	13	17.5	22	23	26	29	35	39	47	65	78
M 12	22.6	30	37.6	40	45	50	60	67	80	113	135
M 14	36	48	60	65	72	79	95	107	130	180	215
M 16	55	73	92	98	110	122	147	165	196	275	330
M 18	75	101	126	135	151	168	202	227	270	380	450
M 20	107	143	178	190	214	238	286	320	385	540	635
M 22	145	190	240	255	290	320	385	430	510	715	855
<b>M 24</b>	185	245	310	325	370	410	490	455	<b>650</b>	910	1100
M 27	275	365	455	480	445	605	725	815	960	1345	1615
M 30	370	495	615	650	740	820	990	1110	1300	1830	2200

#### Examples for Determining the Impact Duration (GDS 30)

Screw/bolt size M 24 of property class 8.8 = Screw/bolt tightening torque 650 Nm

For 650 Nm, the GDS 30 diagram reveals an impact duration of 0.8 seconds. (Diagram for GDS 30 see page 7)

#### Tips

Torque rods have shanks with precisely calibrated, reduced diameters. Thus, they act torque-limiting. A torque rod is placed between the impact wrench and the bit.

Rule of thumb for the application: Core diameter of the screw/bolt = effective diameter of the torque rod. The impact duration is to be determined through practical testing.

**8 | English**

For hanging up, a suspension hook **1** is mounted at the machine's centre of gravity.

The position of the handle can be changed with an angle piece (accessory).

At temperatures below the freezing point, run the machine for approx. 3 minutes at no-load to improve its lubricating capacity.

## Maintenance and Service

### Maintenance and Cleaning

- ▶ **Before any work on the machine itself, pull the mains plug.**
- ▶ **For safe and proper working, always keep the machine and ventilation slots clean.**

If the replacement of the supply cord is necessary, this has to be done by Bosch or an authorized Bosch service agent in order to avoid a safety hazard.

### After-sales Service and Application Service

Our after-sales service responds to your questions concerning maintenance and repair of your product as well as spare parts. Exploded views and information on spare parts can also be found under:

**www.bosch-pt.com**

Bosch's application service team will gladly answer questions concerning our products and their accessories.

In all correspondence and spare parts order, please always include the 10-digit article number given on the type plate of the machine.

### People's Republic of China

#### China Mainland

Bosch Power Tools (China) Co., Ltd.  
567, Bin Kang Road  
Bin Jiang District 310052  
Hangzhou, P. R. China  
Service Hotline: 4008268484  
Fax: (0571) 87774502  
E-Mail: contact.ptcn@cn.bosch.com  
www.bosch-pt.com.cn

### HK and Macau Special Administrative Regions

Robert Bosch Hong Kong Co. Ltd.  
21st Floor, 625 King's Road  
North Point, Hong Kong  
Customer Service Hotline: +852 2101 0235  
Fax: +852 2590 9762  
E-Mail: info@hk.bosch.com  
www.bosch-pt.com.hk

### Indonesia

PT Robert Bosch  
Palma Tower 9<sup>th</sup> & 10<sup>th</sup> Floor  
Jl. Let. Jend. TB Simatupang II S/06  
Jakarta Selatan 12960  
Indonesia  
Tel.: (021) 3005 6565  
Fax: (021) 3005 5801  
E-Mail: boschpowertools@id.bosch.com  
www.bosch-pt.co.id

### Philippines

Robert Bosch, Inc.  
28th Floor Fort Legend Towers,  
3rd Avenue corner 31st Street,  
Fort Bonifacio Global City,  
1634 Taguig City, Philippines  
Tel.: (02) 8703871  
Fax: (02) 8703870  
matheus.contiero@ph.bosch.com  
www.bosch-pt.com.ph

Bosch Service Center:  
9725-27 Kamagong Street  
San Antonio Village  
Makati City, Philippines  
Tel.: (02) 8999091  
Fax: (02) 8976432  
rosalie.dagdagan@ph.bosch.com

### Malaysia

Robert Bosch (S.E.A.) Sdn. Bhd.  
No. 8A, Jalan 13/6  
G.P.O. Box 10818  
46200 Petaling Jaya  
Selangor, Malaysia  
Tel.: (03) 79663194  
Fax: (03) 79583838  
cheehoe.on@my.bosch.com  
Toll-Free: 1800 880188  
www.bosch-pt.com.my

### Thailand

Robert Bosch Ltd.  
Liberty Square Building  
No. 287, 11 Floor  
Silom Road, Bangrak  
Bangkok 10500  
Tel.: 02 6393111, 02 6393118  
Fax: 02 2384783  
Robert Bosch Ltd., P. O. Box 2054  
Bangkok 10501, Thailand  
www.bosch.co.th

Bosch Service – Training Centre  
La Salle Tower Ground Floor Unit No.2  
10/11 La Salle Moo 16  
Srinakharin Road  
Bangkaew, Bang Plee  
Samutprakarn 10540  
Thailand  
Tel.: 02 7587555  
Fax: 02 7587525

#### Singapore

Robert Bosch (SEA) Pte. Ltd.  
11 Bishan Street 21  
Singapore 573943  
Tel.: 6571 2772  
Fax: 6350 5315  
leongheng.leow@sg.bosch.com  
Toll-Free: 1800 3338333  
www.bosch-pt.com.sg

#### Vietnam

Robert Bosch Vietnam Co. Ltd  
10/F, 194 Golden Building  
473 Dien Bien Phu Street  
Ward 25, Binh Thanh District  
84 Ho Chi Minh City  
Vietnam  
Tel.: (08) 6258 3690 ext. 413  
Fax: (08) 6258 3692  
hieuv.lagia@vn.bosch.com  
www.bosch-pt.com

#### Australia, New Zealand and Pacific Islands

Robert Bosch Australia Pty. Ltd.  
Power Tools  
Locked Bag 66  
Clayton South VIC 3169  
Customer Contact Center  
Inside Australia:  
Phone: (01300) 307044  
Fax: (01300) 307045  
Inside New Zealand:  
Phone: (0800) 543353  
Fax: (0800) 428570  
Outside AU and NZ:  
Phone: +61 3 95415555  
www.bosch.com.au

#### Disposal

The machine, accessories and packaging should be sorted for environmental-friendly recycling.

Do not dispose of power tools into household waste!

**Subject to change without notice.**

## 中文

### 安全规章

#### 电动工具通用安全警告

**警告！** 阅读所有警告和所有说明！不遵照以下警告和说明会导致电击、着火和/或严重伤害。

保存所有警告和说明书以备查阅。

在所有下列的警告中术语“电动工具”指市电驱动（有线）电动工具或电池驱动（无线）电动工具。

#### 工作场地的安全

- ▶ 保持工作场地清洁和明亮。混乱和黑暗的场地会引发事故。
- ▶ 不要在易爆环境，如有易燃液体、气体或粉尘的环境下操作电动工具。电动工具产生的火花会点燃粉尘或气体。
- ▶ 让儿童和旁观者离开后操作电动工具。注意力不集中会使操作者失去对工具的控制。

#### 电气安全

- ▶ 电动工具插头必须与插座相配。绝不能以任何方式改装插头。需接地的电动工具不能使用任何转换插头。未经改装的插头和相配的插座将减少电击危险。
- ▶ 避免人体接触接地表面，如管道、散热片和冰箱。如果你身体接地会增加电击危险。
- ▶ 不得将电动工具暴露在雨中或潮湿环境中。水进入电动工具将增加电击危险。
- ▶ 不得滥用电线。绝不能用电线搬运、拉动电动工具或拔出其插头。使电线远离热源、油、锐边或运动部件。受损或缠绕的软线会增加电击危险。
- ▶ 当在户外使用电动工具时，使用适合户外使用的外接软线。适合户外使用的软线将减少电击危险。
- ▶ 如果在潮湿环境下操作电动工具是不可避免的，应使用剩余电流动作保护器（RCD）。使用 RCD 可减小电击危险。

#### 人身安全

- ▶ 保持警觉，当操作电动工具时关注所从事的操作并保持清醒。当你感到疲倦，或在有药物、酒精或治疗反应时，不要操作电动工具。在操作电动工具时瞬间的疏忽会导致严重人身伤害。
- ▶ 使用个人防护装置。始终佩戴护目镜。安全装置，诸如适当条件下使用防尘面具、防滑安全鞋、安全帽、听力防护等装置能减少人身伤害。

## 10 | 中文

- ▶ **防止意外起动。** 确保开关在连接电源和 / 或电池盒、拿起或搬运工具时处于关断位置。手指放在已接通电源的开关上或开关处于接通时插入插头可能会导致危险。
- ▶ **在电动工具接通之前，拿掉所有调节钥匙或扳手。** 遗留在电动工具旋转零件上的扳手或钥匙会导致人身伤害。
- ▶ **手不要伸展得太长。时刻注意立足点和身体平衡。** 这样在意外情况下能很好地控制电动工具。
- ▶ **着装适当。不要穿宽松衣服或佩戴饰品。让衣服、手套和头发远离运动部件。** 宽松衣服、佩饰或长发可能会卷入运动部件中。
- ▶ **如果提供了与排屑、集尘设备连接用的装置，要确保他们连接完好且使用得当。** 使用这些装置可减少尘屑引起的危险。

## 电动工具使用和注意事项

- ▶ **不要滥用电动工具，根据用途使用适当的电动工具。** 选用适当设计的电动工具会使你工作更有效、更安全。
- ▶ **如果开关不能接通或关断工具电源，则不能使用该电动工具。** 不能用开关来控制的电动工具是危险的且必须进行修理。
- ▶ **在进行任何调节、更换附件或贮存电动工具之前，必须从电源上拔掉插头和 / 或使电池盒与工具脱离。** 这种防护性措施将减少工具意外起动的危险。
- ▶ **将闲置不用的电动工具贮存在儿童所及范围之外，并且不要让不熟悉电动工具或对这些说明不了解的人操作电动工具。** 电动工具在未经培训的用户手中是危险的。
- ▶ **保养电动工具。检查运动件是否调整到位或卡住，检查零件破损情况和影响电动工具运行的其他状况。** 如有损坏，电动工具应在使用前修理好。许多事故由维护不良的电动工具引发。
- ▶ **保持切削刀具锋利和清洁。** 保养良好的有锋利切削刃的刀具不易卡住而且容易控制。
- ▶ **按照使用说明书，考虑作业条件和进行的作业来使用电动工具、附件和工具的刀头等。** 将电动工具用于那些与其用途不符的操作可能会导致危险。

## 维修

- ▶ **将你的电动工具送交专业维修人员，使用同样的备件进行修理。** 这样将确保所维修的电动工具的安全性。

## 针对冲击扳手的安全规章

- ▶ **在紧固件可能触及暗线或其自身软线之处进行操作时，要通过绝缘握持面来握持工具。** 紧固件碰到带电导线会使工具外露的金属零件带电从而使操作者受到电击。

- ▶ **勿使用电线已经损坏的电动工具。如果电源电线在工作中受损，千万不可触摸损坏的电线，并马上拔出插头。** 损坏的电线会提高使用者触电的危险。
- ▶ **使用随工具提供的辅助手柄。** 操作失手会引起人身伤害。
- ▶ **务必握紧电动工具。** 在拧紧和放松螺丝时，可能出现短暂的强大反击。
- ▶ **工作时必须用双手握紧电动工具，并且要确保立足稳固。** 使用双手比较能够握稳电动工具。
- ▶ **固定好工件。** 使用固定装置或老虎钳固定工件，会比用手持握工件更牢固。
- ▶ **等待电动工具完全静止后才能够放下机器。** 机器上的工具可能在工作中被夹住，而令您无法控制电动工具。

## 产品和功率描述



**阅读所有的警告提示和指示。** 如未确实遵循警告提示和指示，可能导致电击、火灾并且 / 或其他的严重伤害。

翻开标示了机器详解图的折叠页。阅读操作指南时必须翻开折叠页参考。

## 按照规定使用机器

本电动工具适用于拧入和拧出螺丝，并且可以拧紧和放松规定尺寸内的螺母。

## 插图上的机件

机件的编号和电动工具详解图上的编号一致。

- 1 吊环
- 2 辅助手柄
- 3 辅助手柄的螺纹套筒
- 5 起停开关
- 5 正逆转开关
- 6 工具接头
- 7 工作头
- 8 手柄（绝缘握柄）

**图表或说明上提到的附件，并不包含在基本的供货范围中。** 本公司的附件清单中有完整的附件供应项目。

## 技术数据

冲击扳手	GDS 24	GDS 30
物品代码	0 601 434 1..	0 601 435 1..
额定输入功率	瓦	800
输出功率	瓦	400
无负载转速	次 / 分	1260
根据 ISO 5393, 硬拧转 / 软拧转的最大扭力	牛顿米	600/300
正 / 逆转功能		●
最大螺丝直径		M 24
工具夹头		■ 3/4"
重量符合 EPTA—Procedure 01:2014	公斤	5.7
绝缘等级		□ / II

本说明书提供的参数是以 230 V 为依据, 于低电压地区, 此数据有可能不同。

## 安装

### 更换工具

- ▶ **维修电动工具或换装零、配件之前, 务必从插座上拔出插头。**
- ▶ **在机器上安装好工具之后, 必须检查插入工具是否已经牢牢地固定在机器的接头上。** 如果插入工具的柄未牢牢地套在接头中, 工具柄容易从接头上脱开, 并产生操作者无法控制机器的情况。

把工作头 7 套在工具接头 6 上。

## 操作

### 运作原理

工具接头 6 和安装在接头上的工具, 是靠著电子马达带动传动装置和敲击体来驱动的。

整个运作过程可以划分为两个阶段:

**旋转和拧紧** (冲击体投入运作)。

一旦螺丝咬入工件中而且发动机开始受荷, 冲击体便投入运作。冲击体把发动机的传动力转换为均匀的旋转式敲击动作。放松螺丝或螺母时, 整个运作过程会反向进行。

### 操作机器

- ▶ **注意电源的电压! 电源的电压必须和电动工具铭牌上标示的电压一致。**

### 改变转向

- ▶ **在电动工具完全静止时才可以 使用正逆转开关 5。**

使用正逆转开关 5 可以改变电动工具的转向。

**正转:** 把正逆转开关 5 向下推到底 (R)。

**逆转:** 把正逆转开关 5 向上推到底 (L)。

### 开动 / 关闭

开动机器, 按住起停开关 5。

放开起停开关 5 便可以关闭机器。

为了节约能源, 只在当您要使用机器时, 才开动电动工具。

### 有关操作方式的指点

- ▶ **维修电动工具或换装零、配件之前, 务必从插座上拔出插头。**
- ▶ **操作电动工具时务必使用辅助手柄 2。**
- ▶ **先关闭电动工具, 然后再把工具放置在螺母 / 螺丝上。** 安装在接头上的工具如果仍继续转动, 容易从螺丝头上滑开。

扭力大小和冲击时间长短有关。最大扭力是所有经由冲击所产生的单一扭力的总和。在冲击约 6-10 秒之后扭力可以达到最大。超过这段时间, 拉紧扭力只轻微增加。

而传动装置壳则会明显变热。

**指示:** 机器过热不仅会提高所有敲击零件的磨损率, 而且也会增加润滑剂的消耗量。

必须测量每个拉紧扭力的持续冲击时间。随时以扭力测量仪, 检查测得的拉紧扭力。

### 硬垫拧转, 弹簧垫拧转或软垫拧转

如果把单一冲击过程中测得的各个扭力记载在线图上, 可以得到扭力变化的曲线。曲线的最高点是最大扭力。上升的线段则代表到达最大扭力所需的时间。

扭力曲线的演变会受以下因素影响:

- 螺丝 / 螺母的强度
- 垫片的种类 (螺片, 冠状弹簧, 密封片)
- 即将被拧入螺丝的物料的强度
- 螺丝是否涂抹了润滑油

## 12 | 中文

综合以上因素，大概可以归类出下列的工作状况：

- **硬垫拧转**，是指在使用垫片的前提下把金属螺丝拧入金属物料中。经过短暂的冲击之后便可以达到最大扭力（比较陡的上升曲线）。不必要的延长冲击时间只会损坏机器。
- **弹簧垫拧转**，是指在使用了弹簧圈、冠状弹簧、螺栓、带圆锥座的螺丝 / 螺母以及延长零件等的情况下把金属螺丝拧入金属物料中。
- **软垫拧转**，以下几个例子都属于软垫拧转：把金属螺丝拧入木材中，或者拧紧螺丝时使用了铅垫片、纤维垫片。

弹簧垫拧转和软垫拧转的最大扭力小于硬垫拧转的最大扭力。而且前者需要的冲击时间却明显超越后者。

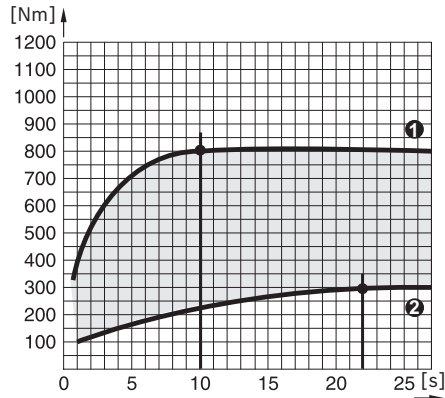
## 如何得知冲击时间

本曲线图（范例）显示了受冲击时间 [ 秒 ] 影响的拧紧扭力 [ 牛顿米 ]。

- ① 针对硬垫拧转
- ② 针对软垫拧转

这个数据是平均值，会随着使用情况不同而改变。您可以随时使用扭力扳手检查拧紧扭力。

## 针对 GDS 24 的曲线图



## 最大螺丝拉紧扭力的参考值

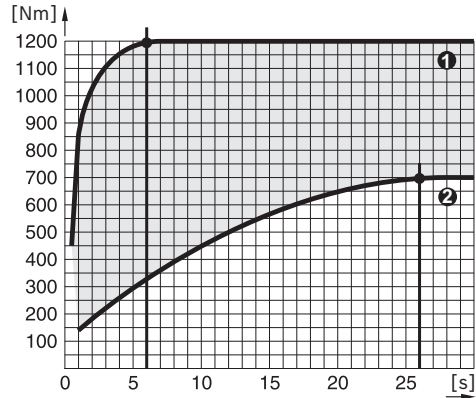
所提供的数据的单位是牛顿米，数据是由切削截面积运算所得；屈服点的利用为百分之 90 %（在摩擦系数  $\mu_{\text{时}} = 0.12$ ）。随时以扭力测量仪检查拉紧扭力。

强度等级根据 DIN 267	标准螺丝								高强度螺丝			
	3.6	4.6	5.6	4.8	6.6	5.8	6.8	6.9	8.8	10.9	12.9	
M 8	6.57	8.7	11	11.6	13.1	14.6	17.5	19.7	23	33	39	
M 10	13	17.5	22	23	26	29	35	39	47	65	78	
M 12	22.6	30	37.6	40	45	50	60	67	80	113	135	
M 14	36	48	60	65	72	79	95	107	130	180	215	
M 16	55	73	92	98	110	122	147	165	196	275	330	
M 18	75	101	126	135	151	168	202	227	270	380	450	
M 20	107	143	178	190	214	238	286	320	385	540	635	

可以达到最大拧紧扭力：

- 在硬垫拧转下，进行约 10 秒钟的连续冲击。
- 在软垫拧转下，进行约 22 秒钟的连续冲击。

## 针对 GDS 30 的曲线图



可以达到最大拧紧扭力：

- 在硬垫拧转下，进行约 6 秒钟的连续冲击。
- 在软垫拧转下，进行约 26 秒钟的连续冲击。

从以下的表格中，可以查阅一般市面上的螺丝的拧紧扭力。这些数据只提供作为参考。

强度等级根据 DIN 267	标准螺丝							高强度螺丝				
	3.6	4.6	5.6	4.8	6.6	5.8	6.8	6.9	8.8	10.9	12.9	
M 22	145	190	240	255	290	320	385	430	510	715	855	
<b>M 24</b>	185	245	310	325	370	410	490	455	<b>650</b>	910	1100	
M 27	275	365	455	480	445	605	725	815	960	1345	1615	
M 30	370	495	615	650	740	820	990	1110	1300	1830	2200	

### 针对得知冲击时间的范例 (GDS 30)

强度等级 8.8 的螺丝 M 24 = 螺丝拧紧扭力 650 牛顿米

根据针对 GDS 30 的曲线图得知, 要得到 650 牛顿米所须的撞击时间为 0.8 秒。(针对 GDS 30 的曲线图, 参阅页数 12)

### 建议

扭力棒的柄不仅经过准确的校准, 而且直径比较小。因此扭力棒具备了限制扭力的功能。扭力棒一般都安装在冲击扳手和批嘴之间。

根据经验, 使用时的规则如下: 螺丝的核心直径 = 扭力棒的运作直径。敲击时间必须由实际的拧转过程得知。

在电动工具的重心位置有一个吊环 1, 可以吊起机器。

使用角块 (附件) 可以改变手柄的位置。

如果工作场所的温度位在零度以下, 正式操作之前必须先让机器空转 3 分钟, 以改善机器内部的润滑情况。

## 维修和服务

### 维修和清洁

- ▶ 维修电动工具或换装零、配件之前, 务必从插座上拔出插头。
- ▶ 电动工具和通风间隙都必须保持清洁, 这样才能提高工作品质 and 安全性。

如果必须更换连接线, 务必把这项工作交给博世或者经授权的博世电动工具顾客服务执行, 以避免危害机器的安全性能。

### 顾客服务处和顾客咨询中心

本公司顾客服务处负责回答有关本公司产品的修理, 维护和备件的问题。以下的网页中有爆炸图和备件的资料:

[www.bosch-pt.com](http://www.bosch-pt.com)

博世顾客咨询团队非常乐意为您解答有关公司产品及附件的问题。

询问和订购备件时, 务必提供机器铭牌上标示的 10 位数物品代码。

有关保证, 维修或更换零件事宜, 请向合格的经销商查询。

### 中国大陆

博世电动工具 (中国) 有限公司  
中国 浙江省 杭州市  
滨江区滨康路 567 号  
邮政编码: 310052  
免费服务热线: 4008268484  
传真: (0571) 87774502  
电邮: [contact.ptcn@cn.bosch.com](mailto:contact.ptcn@cn.bosch.com)  
[www.bosch-pt.com.cn](http://www.bosch-pt.com.cn)

罗伯特·博世有限公司  
香港北角英皇道 625 号 21 楼  
客户服务热线: +852 2101 0235  
传真: +852 2590 9762  
电邮: [info@hk.bosch.com](mailto:info@hk.bosch.com)  
网站: [www.bosch-pt.com.hk](http://www.bosch-pt.com.hk)

### 制造商地址:

Robert Bosch Power Tools GmbH  
罗伯特·博世电动工具有限公司  
70538 Stuttgart / GERMANY  
70538 斯图加特 / 德国

### 处理废弃物

必须以符合环保的方式, 回收再利用损坏的机器、附件和废弃的包装材料。

不可以把电动工具丢入家庭垃圾中!

### 保留修改权。

## 中文

### 安全規章

#### 電動工具通用安全警告

**警告** 閱讀所有警告和所有說明。不遵照以下警告和說明會導致電擊、着火和/或嚴重傷害。

#### 保存所有警告和說明書以備查閱。

在所有下列的警告中術語 " 電動工具 " 指市電驅動 (有線) 電動工具或電池驅動 (無線) 電動工具。

#### 工作場地的安全

- ▶ 保持工作場地清潔和明亮。混亂和黑暗的場地會引發事故。
- ▶ 不要在易爆環境，如有易燃液體、氣體或粉塵的環境下操作電動工具。電動工具產生的火花會點燃粉塵或氣體。
- ▶ 讓兒童和旁觀者離開後操作電動工具。注意力不集中會使你失去對工具的控制。

#### 電氣安全

- ▶ 電動工具插頭必須與插座相配。絕不能以任何方式改裝插頭。需接地的電動工具不能使用任何轉換插頭。未經改裝的插頭和相配的插座將減少電擊危險。
- ▶ 避免人體接觸接地表面，如管道、散熱片和冰箱。如果你身體接地會增加電擊危險。
- ▶ 不得將電動工具暴露在雨中或潮濕環境中。水進入電動工具將增加電擊危險。
- ▶ 不得濫用電線。絕不能用電線搬運、拉動電動工具或拔出其插頭。使電線遠離熱源、油、銳邊或運動部件。受損或纏繞的軟線會增加電擊危險。
- ▶ 當在戶外使用電動工具時，使用適合戶外使用的外接軟線。適合戶外使用的軟線，將減少電擊危險。
- ▶ 如果在潮濕環境下操作電動工具是不可避免的，應使用剩餘電流動作保護器 (RCD)。使用 RCD 可減小電擊危險。

#### 人身安全

- ▶ 保持警覺，當操作電動工具時關注所從事的操作並保持清醒。當你感到疲倦，或在有藥物、酒精或治療反應時，不要操作電動工具。在操作電動工具時瞬間的疏忽會導致嚴重人身傷害。
- ▶ 使用個人防護裝置。始終佩戴護目鏡。安全裝置，諸如適當條件下使用防塵面具、防滑安全鞋、安全帽、聽力防護等裝置能減少人身傷害。
- ▶ 防止意外起動。確保開關在連接電源和/或電池盒、拿起或搬運工具時處於關斷位置。手指放在已接通電源的開關上或開關處於接通時插入插頭可能會導致危險。

- ▶ 在電動工具接通之前，拿掉所有調節鑰匙或扳手。遺留在電動工具旋轉零件上的扳手或鑰匙會導致人身傷害。
- ▶ 手不要伸展得太長。時刻注意立足點和身體平衡。這樣在意外情況下能很好地控制電動工具。
- ▶ 著裝適當。不要穿寬鬆衣服或佩戴飾品。讓你的衣服、手套和頭髮遠離運動部件。寬鬆衣服、佩飾或長髮可能會捲入運動部件中。
- ▶ 如果提供了與排屑、集塵設備連接用的裝置，要確保他們連接完好且使用得當。使用這些裝置可減少塵屑引起的危險。

#### 電動工具使用和注意事項

- ▶ 不要濫用電動工具，根據用途使用適當的電動工具。選用適當設計的電動工具會使你工作更有效、更安全。
- ▶ 如果開關不能接通或關斷工具電源，則不能使用該電動工具。不能用開關來控制的電動工具是危險的且必須進行修理。
- ▶ 在進行任何調節、更換附件或貯存電動工具之前，必須從電源上拔掉插頭和/或使電池盒與工具脫開。這種防護性措施將減少工具意外起動的危險。
- ▶ 將閒置不用的電動工具貯存在兒童所及範圍之外，並且不要讓不熟悉電動工具或對這些說明不瞭解的人操作電動工具。電動工具在未經培訓的用戶手中是危險的。
- ▶ 保養電動工具。檢查運動件是否調整到位或卡住，檢查零件破損情況和影響電動工具運行的其他狀況。如有損壞，電動工具應在使用前修理好。許多事故由維護不良的電動工具引發。
- ▶ 保持切削刀具鋒利和清潔。保養良好的有鋒利切刃的刀具不易卡住而且容易控制。
- ▶ 按照使用說明書，考慮作業條件和進行的作業來使用電動工具、附件和工具的刀頭等。將電動工具用於那些與其用途不符的操作可能會導致危險。

#### 檢修

- ▶ 將你的電動工具送交專業維修人員，必須使用同樣的備件進行更換。這樣將確保所維修的電動工具的安全性。

#### 針對衝擊扳手的安全規章

- ▶ 工作時如果電動工具可能割斷隱藏的電線或電動工具本身的電源線，一定要握住絕緣手柄操作機器。電動工具如果接觸了帶電的線路，電動工具上的金屬部件會導電，可能造成操作者觸電。
- ▶ 勿使用電線已經損壞的電動工具。如果電源電線在工作中受損，千萬不可觸摸損壞的電線，並馬上拔出插頭。損壞的電線會提高使用者觸電的危險。
- ▶ 如果電動工具提供了輔助手柄便要使用它。操作時失控可能導致傷害。

- ▶ 務必握緊電動工具。在擰緊和放鬆螺絲時，可能出現短暫的強大反擊。
- ▶ 工作時必須用雙手握緊電動工具，並且要確保立足穩固。使用雙手比較能夠握穩電動工具。
- ▶ 固定好工件。使用固定裝置或老虎鉗固定工件，會比用手持握工件更牢固。
- ▶ 等待電動工具完全靜止後才能夠放下機器。機器上的工具可能在工作中被夾住，而令您無法控制電動工具。

## 產品和功率描述



閱讀所有的警告提示和指示。如未確實遵循警告提示和指示，可能導致電擊、火災並且 / 或其他的嚴重傷害。

翻開標示了機器詳解圖的折疊頁。閱讀操作指南時必須翻開折疊頁參考。

## 技術性數據

沖擊扳手	GDS 24	GDS 30
物品代碼	0 601 434 1..	0 601 435 1..
額定輸入功率	瓦	800
輸出功率	瓦	400
無負載轉速	次 / 分	1260
根據 ISO 5393, 硬擰轉 / 軟擰轉的最大扭力	牛頓米	600 / 300
正 / 逆轉功能		●
最大螺絲直徑		M 24
工具夾頭		■ 3/4" ■ 1"
重量符合 EPTA-Procedure 01:2014	公斤	5.7
絕緣等級		□ / II □ / II

本說明書提供的參數是以 230 伏特為依據，於低電壓地區，此數據有可能不同。

## 按照規定使用機器

本電動工具適用於擰入和擰出螺絲，並且可以擰緊和放鬆規定尺寸內的螺母。

## 插圖上的機件

機件的編號和電動工具詳解圖上的編號一致。

- 1 吊環
- 2 輔助手柄
- 3 輔助手柄的螺紋套筒
- 5 起停開關
- 5 正逆轉開關
- 6 工具接頭
- 7 插入工具
- 8 手柄（絕緣握柄）

圖表或說明上提到的附件，並不包含在基本的供貨範圍中。本公司的附件清單中有完整的附件供應項目。

## 安裝

### 更換工具

- ▶ 維修電動工具或換裝零、配件之前，務必從插座上拔出插頭。
- ▶ 在機器上安裝好工具之後，必須檢查插入工具是否已經牢牢地固定在機器的接頭上。如果插入工具的柄未牢牢地套在接頭中，工具柄容易從接頭上脫開，並產生操作者無法控制機器的情況。

把插入工具 7 套在工具接頭 6 上。

## 操作

### 運作原理

工具接頭 6 和安裝在接頭上的工具，是靠著電子馬達帶動傳動裝置和敲擊體來驅動的。

整個運作過程可以劃分為兩個階段：  
旋轉和擰緊（沖擊體投入運作）。

一當螺絲咬入工件中而且發動機開始受荷，沖擊體便投入運作。沖擊體把發動機的傳動力轉換為均勻的旋轉式敲擊動作。放鬆螺絲或螺母時，整個運作過程會反向進行。

### 操作機器

- ▶ 注意電源的電壓！電源的電壓必須和電動工具銘牌上標示的電壓一致。

## 16 | 中文

**改變轉向**

▶ 在電動工具完全停止時才可以使用**正逆轉開關 5**。

使用**正逆轉開關 5**可以改變電動工具的轉向。

正轉：把**正逆轉開關 5**向下推到底（R）。

逆轉：把**正逆轉開關 5**向上推到底（L）。

**開動 / 關閉**

**開動**機器，按住**起停開關 5**。

**放開****起停開關 5**便可以關閉機器。

為了節約能源，只在當您要使用機器時，才開動電動工具。

**有關操作方式的指點**

▶ **維修電動工具或換裝零、配件之前，務必從插座上拔出插頭。**

▶ **操作電動工具時務必使用輔助手柄 2。**

▶ **先關閉電動工具，然后再把工具放置在螺母 / 螺絲上。**安裝在接頭上的工具如果仍繼續轉動，容易從螺絲頭上滑開。

扭力大小和沖擊時間長短有關。最大扭力是所有經由沖擊所產生的單一扭力的總和。在沖擊約 6-10 秒之后扭力可以達到最大。超過這段時間，拉緊扭力只輕微增加。

而傳動裝置殼卻會明顯變熱。

**指示：**機器過熱不僅會提高所有敲擊零件的磨損率，而且也會增加潤滑劑的消耗量。

必須測量每個拉緊扭力的持續沖擊時間。隨時以扭力測量儀，檢查測得的拉緊扭力。

**硬墊擰轉，彈簧墊擰轉或軟墊擰轉**

如果把單一沖擊過程中測得的各個扭力記載在線圖上，可以得到扭力變化的曲線。曲線的最高點是最大扭力。上升的線段則代表到達最大扭力所須的時間。

扭力曲線的演變會受以下因素影響：

- 螺絲 / 螺母的強度
- 墊片的種類（螺片，冠狀彈簧，密封片）
- 即將被擰入螺絲的物料的強度
- 螺絲是否塗抹了潤滑油

綜合以上因素，大概可以歸類出下列的工作狀況：

- **硬墊擰轉**，是指在使用墊片的前提下把金屬螺絲擰入金屬物料中。經過短暫的沖擊之后便可以達到最大扭力（比較陡的上升曲線）。不必要的延長沖擊時間只會損壞機器。
- **彈簧墊擰轉**，是指在使用了彈簧圈、冠狀彈簧、螺栓、帶圓錐座的螺絲 / 螺母以及延長零件等的情況下把金屬螺絲擰入金屬物料中。
- **軟墊擰轉**，以下幾個例子都屬於軟墊擰轉：把金屬螺絲擰入木材中，或者擰緊螺絲時使用了鉛墊片、纖維墊片。

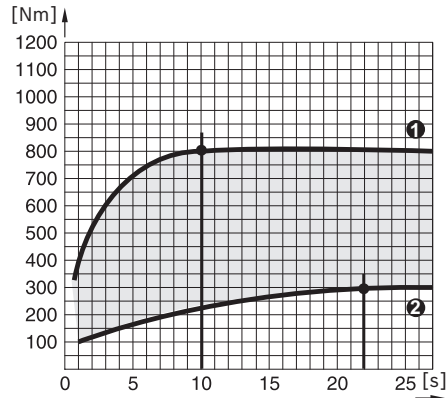
彈簧墊擰轉和軟墊擰轉的最大扭力小於硬墊擰轉的最大扭力。而且前者需要的沖擊時間卻明顯超越後者。

**如何得知沖擊時間**

本曲線圖（範例）顯示了受沖擊時間 [ 秒 ] 影響的擰緊扭力 [ 牛頓米 ]。

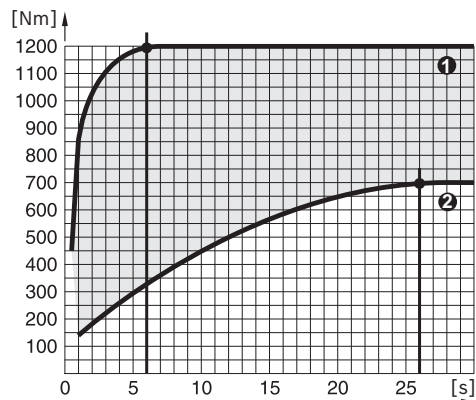
- ① 針對硬墊擰轉
- ② 針對軟墊擰轉

這個數據是平均值，會隨著使用情況不同而改變。您可以隨時使用扭力扳手檢查擰緊扭力。

**針對 GDS 24 的曲線圖**

可以達到最大擰緊扭力：

- 在硬墊擰轉下，進行約 10 秒鐘的連續沖擊。
- 在軟墊擰轉下，進行約 22 秒鐘的連續沖擊。

**針對 GDS 30 的曲線圖**

可以達到最大擰緊扭力：

- 在硬墊擰轉下，進行約 6 秒鐘的連續沖擊。
- 在軟墊擰轉下，進行約 26 秒鐘的連續沖擊。

從以下的表格中，可以查閱一般市面上的螺絲的擰緊扭力。這些數據只提供作為參考。

**最大螺絲拉緊扭力的參考值**

所提供的數據的單位是牛頓米，數據是由切削面積運算所得；屈服點的利用為百分之 90 %（在摩擦系數  $\mu_{時} = 0.12$ ）。隨時以扭力測量儀檢查拉緊扭力。

強度等級根據 DIN 267	標準螺絲							高強度螺絲			
	3.6	4.6	5.6	4.8	6.6	5.8	6.8	6.9	8.8	10.9	12.9
M 8	6.57	8.7	11	11.6	13.1	14.6	17.5	19.7	23	33	39
M 10	13	17.5	22	23	26	29	35	39	47	65	78
M 12	22.6	30	37.6	40	45	50	60	67	80	113	135
M 14	36	48	60	65	72	79	95	107	130	180	215
M 16	55	73	92	98	110	122	147	165	196	275	330
M 18	75	101	126	135	151	168	202	227	270	380	450
M 20	107	143	178	190	214	238	286	320	385	540	635
M 22	145	190	240	255	290	320	385	430	510	715	855
<b>M 24</b>	185	245	310	325	370	410	490	455	<b>650</b>	910	1100
M 27	275	365	455	480	445	605	725	815	960	1345	1615
M 30	370	495	615	650	740	820	990	1110	1300	1830	2200

**針對得知衝擊時間的範例 (GDS 30)**

強度等級 8.8 的螺絲 M 24 = 螺絲擰緊扭力 650 牛頓米

根據針對 GDS 30 的曲線圖得知，要得到 650 牛頓米所須的撞擊時間為 0.8 秒。（針對 GDS 30 的曲線圖，參閱頁數 16）

**建議**

扭力棒的柄不僅經過準確的校準，而且直徑比較小。因此扭力棒具備了限制扭力的功能。扭力棒一般都安裝在沖擊扳手和批嘴之間。

根據經驗，使用時的規則如下：螺絲的核心直徑 = 扭力棒的運作直徑。敲擊時間必須由實際的擰轉過程得知。

在電動工具的重心位置有一個吊環 1，可以吊起機器。

使用角塊（附件）可以改變手柄的位置。

如果工作場所的溫度位在零度以下，正式操作之前必須先讓機器空轉 3 分鐘，以改善機器內部的潤滑情況。

**維修和服務****維修和清潔**

- ▶ **維修電動工具或換裝零、配件之前，務必從插座上拔出插頭。**
- ▶ **電動工具和通風間隙都必須保持清潔，這樣才能夠提高工作品質和安全性。**

如果必須更換連接線，務必把這項工作交給博世或者經授權的博世電動工具顧客服務執行，以避免危害機器的安全性能。

**顧客服務處和顧客諮詢中心**

本公司顧客服務處負責回答有關本公司產品的修理、維護和備件的問題。以下的網頁中有爆炸圖和備件的資料：

[www.bosch-pt.com](http://www.bosch-pt.com)

博世顧客諮詢團隊非常樂意為您解答有關本公司產品及附件的問題。

詢問和訂購備件時，務必提供機器銘牌上標示的 10 位數物品代碼。

**台灣**

台灣羅伯特博世股份有限公司

建國北路一段 90 號 6 樓

台北市 10491

電話：(02) 2515 5388

傳真：(02) 2516 1176

[www.bosch-pt.com.tw](http://www.bosch-pt.com.tw)

**制造商地址：**

Robert Bosch Power Tools GmbH

羅伯特·博世電動工具有限公司

70538 Stuttgart / GERMANY

70538 斯圖加特 / 德國

**處理廢棄物**

必須以符合環保的方式，回收再利用損壞的機器、附件和廢棄的包裝材料。

不可以把電動工具丟入家庭垃圾中。

**保留修改權。**

## 한국어

### 안전 수칙

#### 전동공구용 일반 안전수칙

**⚠ 경고** 모든 안전수칙과 지시 사항을 상세히 읽고 지켜야 합니다. 다음의 안전수칙과 지시 사항을 준수하지 않으면 화재 위험이 있으며 감전 혹은 중상을 입을 수 있습니다.

**앞으로의 참고를 위해 이 안전수칙과 사용 설명서를 잘 보관하십시오.**

다음에서 사용되는 “전동공구” 라는 개념은 전원에 연결하여 사용하는 전동 기기 (전선이 있는) 나 배터리를 사용하는 전동 기기 (전선이 없는) 를 의미합니다.

#### 작업장 안전

- ▶ **작업장을 항상 깨끗이 하고 조명을 밝게 하십시오.** 작업장 환경이 어수선하거나 어두우면 사고를 초래할 수 있습니다.
- ▶ **가연성 유체, 가스 또는 분진이 있어 폭발 위험이 있는 환경에서 전동공구를 사용하지 마십시오.** 전동공구는 분진이나 증기에 점화하는 스파크를 일으킬 수 있습니다.
- ▶ **전동공구를 사용할 때 구경꾼이나 어린이 혹은 다른 사람이 작업장에 접근하지 못하게 하십시오.** 다른 사람이 주의를 산만하게 하면 기기에 대한 통제를 잃기 쉽습니다.

#### 전기에 관한 안전

- ▶ **전동공구의 전원 플러그가 전원 콘센트에 잘 맞아야 합니다.** 플러그를 조금이라도 변경시켜서는 안됩니다. 접지된 전동공구를 사용할 때 어댑터 플러그를 사용하지 마십시오. 변형되지 않은 플러그와 잘 맞는 콘센트를 사용하면 감전의 위험을 감소할 수 있습니다.
- ▶ **파이프 관, 라디에이터, 레인지, 냉장고와 같은 접지 표면에 몸이 닿지 않도록 하십시오.** 몸에 닿을 경우 감전될 위험이 높습니다.
- ▶ **전동공구를 비에 맞지 않게 하고 습기 있는 곳에 두지 마십시오.** 전동공구에 물이 들어가면 감전될 위험이 높습니다.
- ▶ **전원 코드를 잡고 전동공구를 운반하거나 걸어 놓아서는 안되며, 콘센트에서 전원 플러그를 뽑을 때 전원 코드를 잡아 당겨서는 절대로 안됩니다.** 전원 코드가 열과 오일에 접촉하는 것을 피하고, 날카로운 모서리나 기기의 가동 부위에 닿지 않도록 주의하십시오. 손상되거나 영긴 전원 코드는 감전을 유발할 수 있습니다.
- ▶ **실외에서 전동공구로 작업할 때는 실외용으로 적당한 연장 전원 코드만을 사용하십시오.** 실외용 연장 전원 코드를 사용하면 감전의 위험을 줄일 수 있습니다.

- ▶ **전동공구를 습기 찬 곳에서 사용해야 할 경우에는 누전 차단기를 사용하십시오.** 누전 차단기를 사용하면 감전 위험을 줄일 수 있습니다.

#### 사용자 안전

- ▶ **신중하게 작업하십시오.** 작업을 할 때 주의를 하며, 전동공구를 사용할 때 경솔하게 행동하지 마십시오. 피로한 상태이거나 약물 복용 및 음주한 후에는 전동공구를 사용하지 마십시오. 전동공구를 사용할 때 잠시라도 주의를 산만해지면 중상을 입을 수 있습니다.
- ▶ **작업자 안전을 위한 장치를 사용하십시오.** 항상 보호안경을 착용하십시오. 전동공구의 종류와 사용에 따라 먼지 보호 마스크, 미끄러지지 않는 안전한 신발, 안전모 또는 귀마개 등의 안전한 복장을 하면 상해의 위험을 줄일 수 있습니다.
- ▶ **실수로 기기가 작동되지 않도록 주의하십시오.** 전동공구를 전원에 연결하거나 배터리를 끼우기 전에, 혹은 기기를 들거나 운반하기 전에, 전원 스위치가 꺼져 있는지 다시 확인하십시오. 전동공구를 운반할 때 전원 스위치에 손가락을 대거나 전원 스위치가 켜진 상태에서 전원을 연결하면 사고 위험이 높습니다.
- ▶ **전동공구를 사용하기 전에 조절하는 톨이나 나사 키 등을 빼 놓으십시오.** 회전하는 부위에 있는 톨이나 나사 키로 인해 상처를 입을 수 있습니다.
- ▶ **자신을 과신하지 마십시오.** 불안정한 자세를 피하고 항상 평형을 이룬 상태로 작업하십시오. 안정된 자세와 평형한 상태로 작업해야만이 의외의 상황에서도 전동공구를 안전하게 사용할 수 있습니다.
- ▶ **알맞은 작업복을 입으십시오.** 헐렁한 복장을 하거나 장신구를 착용하지 마십시오. 머리나 옷 또는 장갑이 가동하는 기기 부위에 가까이 닿지 않도록 주의하십시오. 헐렁한 복장, 장신구 혹은 긴 머리는 가동 부위에 말려 사고를 초래할 수 있습니다.
- ▶ **분진 추출장치나 수거장치의 조립이 가능한 경우, 이 장치가 연결되어 있는지, 제대로 작동이 되는지 확인하십시오.** 이러한 분진 추출장치를 사용하면 분진으로 인한 사고 위험을 줄일 수 있습니다.

#### 전동공구의 올바른 사용과 취급

- ▶ **기기를 과부하 상태에서 사용하지 마십시오.** 작업할 때 이에 적당한 전동공구를 사용하십시오. 알맞은 전동공구를 사용하면 지정된 성능 한도 내에서 더 효율적으로 안전하게 작업할 수 있습니다.
- ▶ **전원 스위치가 고장 난 전동공구를 사용하지 마십시오.** 전원 스위치가 작동되지 않는 전동공구는 위험하므로, 반드시 수리를 해야 합니다.
- ▶ **기기에 세팅을 하거나 액세서리 부품을 교환하거나 혹은 기기를 보관할 때, 항상 전원 콘센트에서 플러그를 미리 빼어 놓으십시오.** 이러한 조치는 실수로 전동공구가 작동하게 되는 것을 예방합니다.
- ▶ **사용하지 않는 전동공구는 어린이 손이 닿지 않는 곳에 보관하고, 전동공구 사용에 익숙지 않거나 이 사용 설명서를 읽지 않은 사람은 기기를 사용해서는 안**

됩니다. 경험이 없는 사람이 전동공구를 사용하면 위험합니다.

- ▶ **전동공구를 조심스럽게 관리하십시오.** 가동 부위가 하자 없이 정상적인 기능을 하는지, 걸리는 부위가 있는지, 혹은 전동공구의 기능에 중요한 부품이 손상되었는지 확인하십시오. 손상된 기기의 부품은 전동공구를 다시 사용하기 전에 반드시 수리를 맡기십시오. 제대로 관리하지 않은 전동공구의 경우 많은 사고를 유발합니다.
- ▶ **절단 공구를 날카롭고 깨끗하게 관리하십시오.** 날카로운 절단면이 있고 잘 관리된 절단공구는 걸리는 경우가 드물고 조절하기도 쉽습니다.
- ▶ **전동공구, 액세서리, 장착하는 공구 등을 사용할 때, 이 지시 사항과 특별히 기종 별로 나와있는 사용 방법을 준수하십시오.** 이때 작업 조건과 실시하려는 작업 내용을 고려하십시오. 원래 사용 분야가 아닌 다른 작업에 전동공구를 사용할 경우 위험한 상황을 초래할 수 있습니다.

**서비스**

- ▶ **전동공구 수리는 반드시 전문 인력에게 맡기고, 수리 정비 시 보쉬 순정 부품만을 사용하십시오.** 그렇게 함으로써 기기의 안전성을 오래 유지할 수 있습니다.

**임팩트 렌치용 안전수칙**

- ▶ **작업할 때 나사못으로 보이지 않는 전선이나 기기 자체의 코드에 닿을 위험이 있으면 전동공구의 절연된 손잡이 면을 잡으십시오.** 나사못이 전류가 흐르는 전선에 접하게 되면 기기의 금속 부위에 전기가 통해 감전될 위험이 있습니다.
- ▶ **절대로 전원 코드가 손상된 전동공구를 사용하지 마십시오.** 작업하다가 전원 코드가 손상된 경우 손상된 코드를 만지지 말고 바로 플러그를 빼십시오. 손상된 전원 코드는 감전을 일으킬 위험이 높습니다.
- ▶ **보조 손잡이가 전동공구와 함께 공급되는 경우 이를 사용하십시오.** 통제를 잃게되면 상해를 입을 수 있습니다.
- ▶ **전동공구를 꼭 잡으십시오.** 나사못을 조이거나 풀 때 일시적으로 강한 반동력이 생길 수 있습니다.

**제품 사양**

임팩트 렌치	GDS 24	GDS 30
제품 번호	0 601 434 1..	0 601 435 1..
소비 전력	W	800
출력	W	400
무부하 속도	rpm	1260
ISO 5393 에 따른 경질 / 연질 스크류작업 시 최대 토크	Nm	600/300
역회전 기능		●

자료는 정격 전압 [U] 230 V 를 기준으로 한 것입니다. 전압이 낮거나 각국의 특수한 모델에 따라 달라질 수 있습니다.

- ▶ **전동공구를 두 손으로 꼭 잡고 안전한 자세로 작업하십시오.** 전동공구는 두 손으로 사용하면 더 안전합니다.
- ▶ **작업물을 잘 고정하십시오.** 고정장치나 기계 바이스에 끼워서 작업하면 손으로 잡는 것보다 더 안전합니다.
- ▶ **전동공구를 내려놓기 전에 기기가 완전히 멈추는 지를 확인하십시오.** 벨트가 걸려 전동공구에 대한 통제가 어려워질 수 있습니다.

**제품 및 성능 소개**



**모든 안전수칙과 지시 사항을 상세히 읽고 지켜야 합니다.** 다음의 안전수칙과 지시 사항을 준수하지 않으면 화재 위험이 있으며 감전 혹은 중상을 입을 수 있습니다.

사용 설명서를 읽는 동안 기기의 그림이 나와 있는 접힌 면을 펴 놓고 참고하십시오.

**규정에 따른 사용**

본 전동공구는 각각 정해진 치수 범위 내에서 나사못을 끼우거나 푸는 작업 그리고 너트를 조이거나 푸는 작업을 하는 데 사용해야 합니다.

**제품의 주요 명칭**

제품의 주요 명칭에 표기되어 있는 번호는 기기 그림이 나와있는 면을 참고하십시오.

- 1 고리쇠
- 2 보조 손잡이
- 3 보조 손잡이 고정너트
- 5 전원 스위치
- 5 회전방향 선택 스위치
- 6 톨 홀더
- 7 비트
- 8 손잡이 (절연된 손잡이 부위)

도면이나 설명서에 나와있는 액세서리는 표준 공급부품에 속하지 않습니다. 전체 액세서리는 저희 액세서리 프로그램을 참고하십시오.

20   한국어			
임팩트 렌치	GDS 24		GDS 30
나사못 직경, 최대		M 24	M 30
툴 홀더		■ 3/4"	■ 1"
EPTA 공정 01:2014 에 따른 중량	kg	5.7	7.3
안전 등급		□ / II	□ / II

자료는 정격 전압 [U] 230 V 를 기준으로 한 것입니다. 전압이 낮거나 각국의 특수한 모델에 따라 달라질 수 있습니다.

## 조립

### 액세서리의 교환

- ▶ 전동공구를 보수 정비하기 전에 반드시 콘센트에서 전원 플러그를 빼십시오.
- ▶ 툴 홀더에 비트를 장착할 때 비트가 제대로 꽂혀 있는지 확인하십시오. 비트가 툴 홀더에 꽂혀 있지 않으면 다시 빠져 나와 제어가 불가능해 질 수 있습니다.

사각형의 툴 홀더 6 에 비트 7 을 밀어 넣습니다.

## 작동

### 작동 방법

비트가 끼워진 툴 홀더 6 은 기어와 충격 메커니즘을 통한 전동기에 의해 작동됩니다.

작업 과정은 두 단계로 나뉘어집니다:

**스크류작업**과 **고정 작업** (임팩트 장치 작동).

충격 장치는 나사못과 연결이 되어 모터에 부하가 걸리게 되면 작동하기 시작합니다. 이때 충격 메커니즘은 모터의 힘을 균일한 회전 임팩트로 변환시킵니다. 나사못이나 너트를 풀 경우 이 과정이 반대로 진행됩니다.

### 기계 시동

- ▶ **공공 배전 전압에 주의!** 공급되는 전원의 전압은 전동공구의 명판에 표기된 전압과 동일해야 합니다.

### 회전방향 설정하기

- ▶ **회전방향 선택 스위치 5 은 전동공구가 정지된 상태에서만 사용해야 합니다.**

회전방향 선택 스위치 5 으로 전동공구의 회전방향을 바꿀 수 있습니다.

**오른쪽 회전:** 회전방향 선택 스위치 5 를 클릭 소리가 날 때까지 아래쪽으로 (R) 미십시오.

**왼쪽 회전:** 회전방향 선택 스위치 5 를 클릭 소리가 날 때까지 위쪽으로 (L) 미십시오.

### 전원 스위치 작동

기기를 작동하려면 전원 스위치 5 를 누른 상태로 유지하십시오.

기기의 스위치를 끄려면 전원 스위치 5 을 놓으면 됩니다.

에너지를 절약하기 위해 전동공구를 사용할 경우에만 스위치를 켜십시오.

## 사용방법

- ▶ 전동공구를 보수 정비하기 전에 반드시 콘센트에서 전원 플러그를 빼십시오.
- ▶ 반드시 보조 손잡이 2 를 장착하여 전동공구를 사용하십시오.
- ▶ 전동공구의 스위치가 꺼진 상태에서만 나사못에 대십시오. 회전하는 드릴 비트가 미끄러질 수 있습니다.

토크는 임팩트 시간에 따라 좌우됩니다. 도달한 최대 토크는 임팩트에 의해 나타난 각 토크에서 나온 결과입니다. 일반적으로 6-10 초 간의 임팩트 시간 후에 최대 토크에 달하게 됩니다. 이 시간이 지나면 고정 토크는 최소로 증가합니다.

이에 반해 기어의 몸체는 느껴질 정도로 따뜻해 집니다.

**주의:** 과하게 뜨거워지면 모든 임팩트 공구부분들이 빨리 마모되고 윤활유가 많이 소모됩니다.

임팩트 시간은 매 필요한 고정 토크에 따라 계산해야 합니다. 실제 정해진 고정 토크는 항상 토크 렌치로 확인해야 합니다.

### 경질, 스프링 혹은 연질 시트의 스크류작업

일련의 임팩트에 의해 나타난 토크를 측정하여 그래프로 표시하면 토크 커브 곡선이 생깁니다. 곡선의 높이는 달성할 수 있는 최대 토크이며, 경사 부위는 최대 토크에 달하는 시간을 나타냅니다.

토크의 기울기는 다음의 요소에 따라 달라집니다:

- 나사못 / 너트의 강도
- 받침대의 종류 (와셔, 판 스프링, 실)
- 고정하려는 작업물의 강도
- 스크류 / 볼트 연결 부위의 윤활 상태

이에 따라 기기를 다음과 같이 사용할 수 있습니다:

- **경질 시트**는 와셔를 사용하여 금속과 금속에 나사못 연결을 할 경우입니다. 이때 비교적 짧은 임팩트 시간 내에 최대 토크에 달할 수 있습니다 (급경사 특성 곡선). 불필요하게 장시간 작업하는 것은 기기에 손상을 줄 뿐입니다.
- **스프링 시트**는 금속과 금속에 나사못 연결을 하는 경우로, 단지 스프링 와셔, 판 스프링, 원뿔형 스테드와 볼트/너트 혹은 연장 부품을 사용할 때입니다.
- **연질 시트**는 예를 들면 금속을 목재에 나사못 연결을 하는 경우나 혹은 납이나 섬유로 된 와셔를 기본 받침대로 사용하는 경우입니다.

스프링 시트나 연질 시트의 경우 최대 고정 토크는 경질 시트 경우 보다 낮습니다. 또한 임팩트 시간도 훨씬 오래 걸립니다.

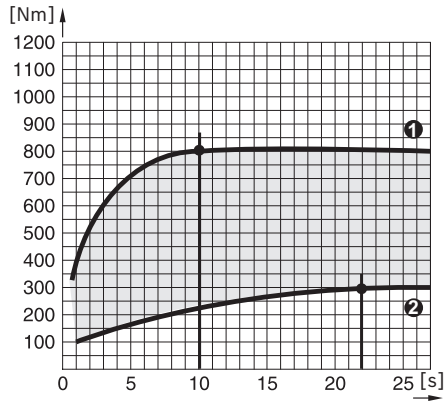
**임팩트 시간 산출**

도표 (예를 들면) 들은 임팩트 시간 [s] 에 따른 고정 토크 [Nm] 를 나타냅니다 :

- ① 경질 시트에 대해
- ② 연질 시트에 대해 .

이 데이터는 중간치이며 적용에 따라 각각 다릅니다 . 고정 토크를 검사하기 위해 항상 토크렌치를 사용하십시오 .

**GDS 24 에 관한 도표**



최대 토크가 됩니다 :

- 경질 시트에 대해 임팩트 시간 약 10 초 이후
- 연질 시트에 대해 임팩트 시간 약 22 초 이후

**최대 볼트 고정 토크 권장치**

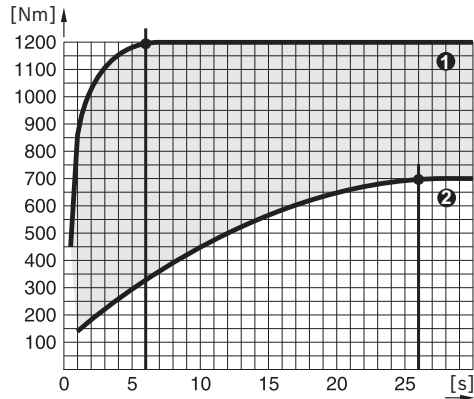
자료의 단위는 Nm 으로 응력 단면도에서 산출한 것임 ; 탄성 한계의 사용치 90% ( 마찰 계수  $\mu_{\text{전체}} = 0.12$  ). 점검하기 위해 항상 고정 토크를 토크 렌치를 사용하여 확인해야 합니다 .

DIN 267 에 따른 강도 일반 볼트	고강도 볼트											
	등급	3.6	4.6	5.6	4.8	6.6	5.8	6.8	6.9	8.8	10.9	12.9
M 8		6.57	8.7	11	11.6	13.1	14.6	17.5	19.7	23	33	39
M 10		13	17.5	22	23	26	29	35	39	47	65	78
M 12		22.6	30	37.6	40	45	50	60	67	80	113	135
M 14		36	48	60	65	72	79	95	107	130	180	215
M 16		55	73	92	98	110	122	147	165	196	275	330
M 18		75	101	126	135	151	168	202	227	270	380	450
M 20		107	143	178	190	214	238	286	320	385	540	635
M 22		145	190	240	255	290	320	385	430	510	715	855
<b>M 24</b>		185	245	310	325	370	410	490	455	<b>650</b>	910	1100
M 27		275	365	455	480	445	605	725	815	960	1345	1615
M 30		370	495	615	650	740	820	990	1110	1300	1830	2200

**임팩트 시간 산출의 예 (GDS 30)**

견고성 8.8 인 볼트 M 24 = 볼트 고정 토크 650 Nm  
GDS 30 도표로부터 650 Nm 의 임팩트 시간은 0.8 초에 해당합니다 . (GDS 30 에 관한 도표 참고 21 페이지 )

**GDS 30 에 관한 도표**



최대 토크가 됩니다 :

- 경질 시트에 대해 임팩트 시간 약 6 초 이후
- 연질 시트에 대해 임팩트 시간 약 26 초 이후

판매되는 볼트의 최대 고정 토크에 대한 표준치는 다음의 표를 참고하십시오 .

**참고**

토크 로드는 정확히 눈금이 측정되어 축소된 생크를 갖고 있습니다 . 이것은 토크 한계를 결정합니다 . 토크 로드는 임팩트 렌치와 비트 사이에 놓여 있습니다 . 전동공구를 사용할 때 일반적인 적용 방법 : 볼트의 내부 지름 = 토크 로드의 실제 지름 . 임팩트 시간은 실제 실험을 통해 결정할 수 있습니다 .

## 22 | ภาษาไทย

걸기 위해서 기기의 중심부분에 고리쇠 1 을 만들어 놓았습니다 .

손잡이의 위치는 각도용 부품 (부분품) 을 사용하여 바꿀 수 있습니다 .

온도가 빙점 이하일 때 , 전동공구의 유효력을 더욱 좋게 하기 위해 먼저 전동공구를 약 3 분 정도 공회전을 시키십시오 .

## 보수 정비 및 서비스

### 보수 정비 및 유지

▶ 전동공구를 보수 정비하기 전에 반드시 콘센트에서 전원 플러그를 뽑으십시오 .

▶ 안전하고 올바른 작동을 위하여 전동공구와 전동공구의 통풍구를 항상 깨끗이 하십시오 .

연결 코드를 교환해야 할 경우 안전을 기하기 위해 보쉬사나 보쉬 지정 전동공구 서비스 센터에 맡겨야 합니다 .

### 보쉬 AS 및 고객 상담

보쉬는 귀하의 제품 및 수리에 관한 문의를 받고 있습니다 .

AS 센터 정보 및 제품에 대한 고객 상담은 하기 고객 콜센터 및 이메일 상담을 이용해주시기 바랍니다 .

**고객 콜센터 : 080-955-0909**

**이메일 상담 :**

Bosch-pt.hotline@kr.bosch.com

문의 사항이 있거나 스페어 부품을 주문할 때 반드시 전동공구의 타입 표시판에 적힌 10 자리의 제품 번호를 알려 주십시오 .

### 한국로버트보쉬 ( 주 )

경기도 용인시 기흥구 보정동 298 번지

**www.bosch-pt.co.kr**

### 처리

기기와 액세서리 및 포장 등은 친환경적인 방법으로 재활용할 수 있도록 분류하십시오 .

전동공구를 가정용 쓰레기로 처리하지 마십시오 !

위 사항은 사전 예고 없이 변경될 수도 있습니다 .

## ภาษาไทย

### กฎระเบียบเพื่อความปลอดภัย

#### คำเตือนทั่วไปเพื่อความปลอดภัยในการใช้เครื่องมือไฟฟ้า

**⚠ คำเตือน** ต้องอ่านคำเตือนเพื่อความปลอดภัยและคำสั่งทั้งหมด การไม่ปฏิบัติตามคำเตือนและคำสั่งอาจเป็นสาเหตุให้ถูกไฟฟ้าดูด เกิดไฟไหม้ และ/หรือได้รับบาดเจ็บอย่างร้ายแรง

เก็บรักษาคำเตือนและคำสั่งทั้งหมดสำหรับเปิดอ่านในภายหลัง

คำว่า "เครื่องมือไฟฟ้า" ในคำเตือนหมายถึง เครื่องมือไฟฟ้าของท่านที่ทำงานด้วยพลังงานไฟฟ้าที่ต่อจากเต้าเสียบ (มีสายไฟฟ้า) และเครื่องมือไฟฟ้าที่ทำงานด้วยพลังงานไฟฟ้าจากแบตเตอรี่ (ไร้สาย)

#### ความปลอดภัยในสถานที่ทำงาน

- ▶ รักษาสถานที่ทำงานให้สะอาดและมีไฟส่องสว่างดี สถานที่ที่มีมืดหรือกรงร้งนำมาซึ่งอุบัติเหตุ
- ▶ อย่าใช้เครื่องมือไฟฟ้าในสภาพแวดล้อมที่เสี่ยงต่อการติดระเบิดได้ เช่น ในที่มีของเหลว แก๊ส หรือ ผุ่นที่ติดไฟได้ เมื่อใช้เครื่องมือไฟฟ้าจะเกิดประกายไฟซึ่งอาจจุดผุ่นหรือไอให้ลุกเป็นไฟได้
- ▶ ขณะใช้เครื่องมือไฟฟ้าทำงาน ต้องกันเด็กและผู้ยืมดูให้ออกห่าง การหันเหความสนใจอาจทำให้ท่านขาดการควบคุมเครื่องได้

#### ความปลอดภัยเกี่ยวกับไฟฟ้า

- ▶ ปลั๊กของเครื่องมือไฟฟ้าต้องมีขนาดพอดีกับเต้าเสียบ อย่าตัดแปลงหรือแก้ไขตัวปลั๊กอย่างเด็ดขาด อย่าต่อปลั๊กต่อใดๆ เข้ากับเครื่องมือไฟฟ้าที่มีสายดิน ปลั๊กที่ไม่ตัดแปลงและเต้าเสียบที่เข้ากันช่วยลดความเสี่ยงจากการถูกไฟฟ้าดูด
- ▶ หลีกเลี่ยงไม่ให้ร่างกายสัมผัสกับพื้นผิวของสิ่งของที่ต่อสายดินไว้ เช่น ท่อ เครื่องทำความร้อน เตา และตู้เย็น จะเสี่ยงอันตรายจากการถูกไฟฟ้าดูดมากขึ้นหากกระแสไฟฟ้าวิ่งผ่านร่างกายของท่านลงดิน
- ▶ อย่าวางเครื่องมือไฟฟ้าตากฝนหรือทิ้งไว้ในที่ชื้นแฉะ หากน้ำเข้าในเครื่องมือไฟฟ้า จะเพิ่มความเสี่ยงจากการถูกไฟฟ้าดูด
- ▶ อย่าใช้สายไฟฟ้ายาวผิดปกติ อย่าถือเครื่องมือไฟฟ้าที่สายอย่าใช้สายแฉวนเครื่อง หรืออย่าดึงสายไฟฟ้าเพื่อถอดปลั๊กออกจากเต้าเสียบ กันสายไฟฟ้าออกจากความร่อนน้ำมัน ขอบแหลมคม หรือส่วนของเครื่องที่กำลังเคลื่อนไหว สายไฟฟ้าที่ชำรุดหรือพันกันยุ่งเพิ่มความเสี่ยงจากการถูกไฟฟ้าดูด
- ▶ เมื่อใช้เครื่องมือไฟฟ้าทำงานกลางแจ้ง ให้ใช้สายไฟต่อที่ได้รับการรับรองให้ใช้ต่อในที่กลางแจ้งเท่านั้น การใช้สายไฟต่อที่เหมาะสมสำหรับงานกลางแจ้งช่วยลดอันตรายจากการถูกไฟฟ้าดูด

- ▶ หากไม่สามารถหลีกเลี่ยงการใช้เครื่องมือไฟฟ้าทำงานในสถานที่เปียกชื้นได้ ให้ใช้สวิตช์ตัดวงจรเมื่อเกิดการรั่วไหลของไฟฟ้าจากสายดิน การใช้สวิตช์ตัดวงจรเมื่อเกิดการรั่วไหลของไฟฟ้าจากสายดินช่วยลดความเสี่ยงต่อการถูกไฟฟ้าดูด

#### ความปลอดภัยของบุคคล

- ▶ ท่านต้องอยู่ในสภาพเตรียมพร้อม ระมัดระวังในสิ่งที่กำลังทำอยู่ และมีสติขณะใช้เครื่องมือไฟฟ้าทำงาน อย่าใช้เครื่องมือไฟฟ้าขณะที่ท่านกำลังเหนื่อย หรืออยู่ภายใต้การครอบงำของฤทธิ์ของยาเสพติด แอลกอฮอล์ และยา เมื่อใช้เครื่องมือไฟฟ้าทำงาน ในชั่วนาทีที่ท่านขาดความเอาใจใส่อาจทำให้บุคคลบาดเจ็บอย่างรุนแรงได้
- ▶ ใช้อุปกรณ์ปกป้องร่างกาย สวมแว่นตาป้องกันเสมอ อุปกรณ์ป้องกัน เช่น หน้ากากกันฝุ่น รองเท้ากันลื่น หมวกแข็ง หรือประภทกันเสียงดัง ที่เลือกใช้ตามความเหมาะสมกับสภาพการทำงาน สามารถลดอันตรายต่อบุคคลได้
- ▶ ป้องกันการติดเครื่องโดยไม่ตั้งใจ ต้องดูให้แน่ใจว่าสวิตช์อยู่ในตำแหน่งปิดก่อนเสียบปลั๊กไฟเข้าไปในเต้าเสียบ และ/หรือใส่แท่งเบดเตอร์ ยุกขึ้นหรือถือเครื่องมือ การถือเครื่องโดยใช้นิ้วหัวที่สวิตช์ หรือเสียบปลั๊กไฟขณะสวิตช์เปิดอยู่ อาจนำไปสู่อุบัติเหตุที่ร้ายแรงได้
- ▶ เอาเครื่องมือปรับแต่งหรือประแจปากตายออกจากเครื่องมือไฟฟ้าก่อนเปิดสวิตช์ เครื่องมือหรือประแจปากตายที่วางอยู่กับส่วนของเครื่องที่กำลังหมุนจะทำให้บุคคลบาดเจ็บได้
- ▶ หลีกเลี่ยงการดัดงาที่ผิดปกติ ตั้งที่ยืนที่มั่นคงและวางน้ำหนักให้สมดุลตลอดเวลา ในลักษณะนี้ท่านสามารถควบคุมเครื่องมือไฟฟ้าในสถานการณ์ที่ไม่คาดคิดได้ดีกว่า
- ▶ ใส่เสื้อผ้าที่เหมาะสม อย่าใส่เสื้อผ้าหลวมหรือสวมเครื่องประดับ เข็ม เสื้อผ้า และเครื่องมือออกห่างส่วนของเครื่องที่กำลังหมุน เสื้อผ้าหลวม เครื่องประดับ และผมยาวอาจเข้าไปติดในส่วนของเครื่องที่กำลังหมุนได้
- ▶ หากต้องต่อเครื่องมือไฟฟ้าเข้ากับเครื่องดูดฝุ่นหรือเครื่องเก็บผง ดูให้แน่ใจว่าการเชื่อมต่อและการใช้งานเป็นไปอย่างถูกต้อง การใช้อุปกรณ์ดูดฝุ่นช่วยลดอันตรายที่เกิดจากฝุ่นได้

#### การใช้และการดูแลรักษาเครื่องมือไฟฟ้า

- ▶ อย่าใช้เครื่องมือไฟฟ้าอย่างหักโหม ใช้เครื่องมือไฟฟ้าที่ถูกต้องตรงตามลักษณะงาน เครื่องมือไฟฟ้าที่ถูกต้องจะทำงานได้ดีกว่าและปลอดภัยกว่าในระดับสมรรถภาพที่ออกแบบไว้
- ▶ อย่าใช้เครื่องมือไฟฟ้าที่สวิตช์เปิดปิดเสีย เครื่องมือไฟฟ้าที่ไม่สามารถควบคุมการเปิดปิดด้วยสวิตช์ได้ เป็นเครื่องมือไฟฟ้าที่ไม่ปลอดภัยและต้องส่งซ่อมแซม
- ▶ ก่อนปรับแต่งเครื่อง เปลี่ยนอุปกรณ์ประกอบ หรือเก็บเครื่องเข้าที่ ต้องถอดปลั๊กไฟออกจากเต้าเสียบ และ/หรือถอดแท่งเบดเตอร์ออกจากเครื่องมือไฟฟ้า มาตรการป้องกันเพื่อความปลอดภัยนี้ช่วยลดความเสี่ยงจากการติดเครื่องโดยไม่ตั้งใจ

- ▶ เมื่อเลิกใช้งานเครื่องมือไฟฟ้า ให้เก็บเครื่องมือไว้ในที่ที่เด็กหยิบไม่ถึง และไมอนุญาตให้บุคคลที่ไม่คุ้นเคยกับเครื่องหรือบุคคลที่ไม่ได้อ่านคำแนะนำนี้ใช้เครื่อง เครื่องมือไฟฟ้าเป็นของอันตรายหากตกอยู่ในมือของผู้ใช้ที่ไม่ได้รับการฝึกฝน
- ▶ เอาใจใส่ดูแลรักษาเครื่อง ตรวจสอบหาส่วนที่เคลื่อนไหวได้ของเครื่องว่าวางอยู่ตรงแนวหรือติดขัดหรือไม่ ตรวจสอบหาการแตกหักของชิ้นส่วนและสภาพอื่นใดที่อาจมีผลต่อการทำงานของเครื่องมือไฟฟ้า หากชำรุดต้องส่งเครื่องมือไฟฟ้าซ่อมแซมก่อนใช้งาน อุบัติเหตุหลายอย่างเกิดขึ้นเนื่องจากดูแลรักษาเครื่องมือไม่ดีพอ
- ▶ รักษาเครื่องมือตัดให้คมและสะอาด หากบำรุงรักษาเครื่องมือที่มีขอบตัดแหลมคมอยู่ถูกต้อง จะสามารถตัดได้สั้นไม่ติดขัดและควบคุมได้ง่ายกว่า
- ▶ ใช้เครื่องมือไฟฟ้า อุปกรณ์ประกอบ เครื่องมือ และอุปกรณ์อื่นๆ ให้ตรงตามคำแนะนำ และในลักษณะตามที่เครื่องมือไฟฟ้าประเภทนั้นๆ กำหนดไว้ โดยต้องคำนึงถึงเงื่อนไขการทำงานและงานที่จะทำด้วย การใช้เครื่องมือไฟฟ้าทำงานที่ต่างไปจากวัตถุประสงค์การใช้งานของเครื่อง อาจนำไปสู่สถานการณ์ที่เป็นอันตรายได้

#### การบริการ

- ▶ ส่งเครื่องมือไฟฟ้าให้ช่างผู้เชี่ยวชาญตรวจสอบและไขอะไหล่เปลี่ยนของแท้เท่านั้น ในลักษณะนี้ท่านจะแน่ใจได้ว่าเครื่องมือไฟฟ้าอยู่ในสภาพที่ปลอดภัย

#### คำเตือนเพื่อความปลอดภัยสำหรับไขควงกระแส

- ▶ เมื่อทำงานในบริเวณที่สกรูอาจสัมผัสกับสายไฟฟ้าที่ซ่อนอยู่หรือสายไฟฟ้าของเครื่อง ต้องจับเครื่องมือไฟฟ้าตรงตามจับที่หุ้มฉนวน หากสกรูสัมผัสกับสายที่มีกระแสไฟฟ้าไหลผ่านจะทำให้ส่วนที่เป็นโลหะของเครื่องมือไฟฟ้าเกิดมีกระแสไฟฟ้าด้วย และส่งผลให้ผู้ใช้เครื่องมือถูกไฟฟ้าดูดได้
- ▶ อย่าใช้เครื่องมือที่สายไฟฟ้าชำรุด หากสายไฟฟ้าชำรุดขณะทำงาน อย่าสัมผัสสายไฟฟ้าที่ชำรุด ให้ดึงปลั๊กไฟฟ้าหลักออกจากเต้าเสียบ สายไฟฟ้าชำรุดเพิ่มความเสี่ยงจากการถูกไฟฟ้าช็อกหรือดูด
- ▶ หากด้ามจับเพิ่มจัดส่งมาพร้อมกับเครื่อง ให้ใช้ด้ามจับเพิ่มร่วมด้วย การสูญเสียการควบคุมอาจทำให้บุคคลบาดเจ็บได้
- ▶ จับเครื่องมือไฟฟ้าให้แน่น ขณะขันสกรูเข้าและคลายออก อาจเกิดแรงบิดสะท้อนช่วงสั้นๆ อย่างรุนแรงได้
- ▶ เมื่อใช้เครื่องมือทำงาน ต้องใช้มือทั้งสองจับเครื่องมือให้แน่น และตั้งที่ยืนที่มั่นคงเสมอ เครื่องมือไฟฟ้าสามารถเคลื่อนนำได้มั่นคงกว่าเมื่อใช้มือทั้งสองข้างจับ
- ▶ ยึดชิ้นงานให้แน่น การยึดชิ้นงานด้วยเครื่องมือหนีบหรือแท่นจับจะมั่นคงกว่าการยึดด้วยมือ
- ▶ ก่อนวางเครื่องลงบนพื้นทุกครั้งต้องรอให้เครื่องหยุดนิ่งอยู่กับที่เสมอ มิฉะนั้นเครื่องมือที่ใส่อยู่อาจติดขัดและนำไปสู่การสูญเสียการควบคุมเครื่องมือไฟฟ้า

## 24 | ภาษาไทย

## รายละเอียดผลิตภัณฑ์และ ข้อมูลจำเพาะ



**ต้องอ่านคำเตือนเพื่อความปลอดภัยและคำสั่งทั้งหมด** การไม่ปฏิบัติตามคำเตือนและคำสั่งอาจเป็นสาเหตุให้ถูกไฟฟ้าดูด เกิดไฟไหม้ และ/หรือได้รับบาดเจ็บอย่างร้ายแรง

ขณะอ่านคู่มือการใช้งานเครื่อง ให้เปิดหน้าที่แสดงภาพประกอบของเครื่องและเปิดค้างไว้

### ประโยชน์การใช้งานของเครื่อง

เครื่องนี้ใช้สำหรับขันสลกรูและไขสว่านเข้าและคลายออก รวมทั้งขันน็อตให้ตึงและคลายให้หลวม ตามขนาดของสลกรู ไขสว่าน และน็อต ที่ให้ไว้

### ข้อมูลทางเทคนิค

เครื่องขันน็อตแบบกระแทก		GDS 24	GDS 30
หมายเลขสินค้า		0 601 434 1..	0 601 435 1..
กำลังไฟฟ้าเข้ากำหนด	วัตต์	800	920
กำลังไฟฟ้าออก	วัตต์	400	500
ความเร็วรอบเดินตัวเปล่า	รอบ/นาที	1260	1260
แรงบิดสูงสุดสำหรับการขันสลกรูแบบแข็ง/ แบบนุ่ม ตาม ISO 5393	Nm	600/300	1000/500
การหมุนซ้าย/ขวา		●	●
Ø-สลกรู สูงสุด		M 24	M 30
ด้ามจับเครื่องมือ		■ ¾"	■ 1"
น้ำหนักตามระเบียบการ-EPTA-Procedure 01:2014	กก.	5.7	7.3
ระดับความปลอดภัย		☐ / II	☐ / II
ค่าที่ใช้นี้ใช้ได้กับแรงดันไฟฟ้าระบุ [U] 230 โวลต์ ค่าเหล่านี้อาจผิดเพี้ยนไปสำหรับแรงดันไฟฟ้าที่ต่ำกว่า และไม่เคลือบสำหรับเฉพาะประเทศ			

## การประกอบ

### การเปลี่ยนเครื่องมือ

- ▶ ดึงปลั๊กไฟออกจากเต้าเสียบก่อนปรับแต่งเครื่อง
  - ▶ เมื่อท่านประกอบเครื่องมือเข้า ระวังไม่ให้เครื่องมือสวมอย่างมั่นคงบนด้ามจับเครื่องมือ หากเครื่องมือไม่ได้สวมเข้ากับด้ามจับเครื่องมืออย่างมั่นคง เครื่องมือจะหลุดหลวมและไม่สามารถควบคุมต่อไปได้
- เลื่อนเครื่องมือ 7 สวมบนตัวจับทรงสี่เหลี่ยมของด้ามจับเครื่องมือ 6

## การปฏิบัติงาน

### วิธีปฏิบัติงาน

ด้ามจับเครื่องมือ 6 พร้อมเครื่องมือหมุนได้ตัวมอเตอร์ไฟฟ้าโดยผ่านเกียร์และกลไกกระแทก

กระบวนการทำงานแบ่งออกเป็นสองขั้นตอน:  
**การขันสลกรูเข้า** และ **การขันให้แน่น** (กลไกกระแทกทำงาน)

## ส่วนประกอบผลิตภัณฑ์

ลำดับเลขของส่วนประกอบผลิตภัณฑ์อ้างอิงถึงส่วนประกอบของเครื่องที่แสดงในหน้าภาพประกอบ

- 1 ห่วงสำหรับแขน
- 2 ด้ามจับเพิ่ม
- 3 รูกลิ้วสำหรับด้ามจับเพิ่ม
- 5 สวิตช์เปิด-ปิด
- 5 สวิตช์เปลี่ยนทิศทางการหมุน
- 6 ด้ามจับเครื่องมือ
- 7 เครื่องมือใส่
- 8 ด้ามจับ (พื้นผิวจับหุ้มฉนวน)

**อุปกรณ์ประกอบที่แสดงหรือระบุไม่รวมอยู่ในการจัดส่งมาตรฐาน**  
**กรุณาดูอุปกรณ์ประกอบทั้งหมดในรายการแสดงอุปกรณ์ประกอบของเรา**

กลไกกระแทกจะถูกกระตุ้นในทันทีที่ขันสลกรูติดสนิทในชิ้นงานแล้ว และด้วยเหตุนี้มอเตอร์จึงถูกโหลด ในขั้นตอนนี้กลไกกระแทกจะเปลี่ยนพลังงานมอเตอร์เป็นการกระแทกหมุนอย่างสม่ำเสมอ เมื่อคลายสลกรูหรือน็อตออก ให้ทำตามลำดับย้อนหลัง

### เริ่มต้นปฏิบัติงาน

- ▶ ให้สังเกตแรงดันไฟฟ้า! แรงดันไฟฟ้าจากแหล่งจ่ายไฟฟ้าต้องมีค่าตรงกับค่าแรงดันไฟฟ้าที่ระบุไว้บนแผ่นป้ายติดเครื่อง

### การกลับทิศทางการหมุน

- ▶ สับสวิตช์เปลี่ยนทิศทางการหมุน 5 เมื่อเครื่องหยุดนิ่งอยู่กับที่เท่านั้น

สวิตช์เปลี่ยนทิศทางการหมุน 5 ใช้สำหรับกลับทิศทางการหมุนของเครื่อง

**การหมุนทางขวา:** ดันสวิตช์เปลี่ยนทิศทางการหมุน 5 ลงด้านล่างจนสุด (R)

**การหมุนทางซ้าย:** ดันสวิตช์เปลี่ยนทิศทางการหมุน 5 ขึ้นด้านบนจนสุด (L)

**การเปิด-ปิดเครื่อง**

**เปิดเครื่องทำงาน** โดยกดสวิทช์เปิด-ปิด 5 และกดค้างไว้

**ปิดเครื่อง** โดยปล่อยนิ้วจากสวิทช์เปิด-ปิด 5

เพื่อประหยัดพลังงาน เปิดสวิทช์เครื่องมือไฟฟ้าเฉพาะเมื่อใช้งานเท่านั้น

**ข้อแนะนำในการทำงาน**

▶ **ดึงปลั๊กไฟ** ออกจากเต้าเสียบก่อนปรับแต่งเครื่อง

▶ **ให้ใช้เครื่องมือไฟฟ้าพร้อมด้ามจับเพิ่ม 2 เสมอ**

▶ **จับเครื่องมือไฟฟ้าเข้าบนหัวสกรู/นอตเมื่อเครื่องปิดอยู่เท่านั้น** เครื่องมือที่หมุนอยู่อาจลื่นไถล

แรงบิดขึ้นอยู่กับระยะเวลาการแทรก แรงบิดสูงสุดที่ได้เป็นผลจากยอรวมของแต่ละแรงบิดที่ได้จากการแทรก จะได้แรงบิดสูงสุดหลังจากการแทรกไปได้ 6-10 วินาที หลังช่วงเวลานี้ แรงบิดจะเพิ่มขึ้นเพียงเล็กน้อยเท่านั้น

อย่างไรก็ดี ฝาครอบเกียร์จะร้อนขึ้นอย่างเห็นได้ชัด

**หมายเหตุ:**

การร้อนขึ้นมากเกินไปจนส่งผลให้ส่วนประกอบกลไกการแทรกทั้งหมดเกิดการสึกหรออย่างมาก และมีความต้องการน้ำมันหล่อลื่นสูง

ต้องกำหนดระยะเวลาการแทรกสำหรับทุกๆ แรงบิดที่ต้องการตรวจสอบแรงบิดที่ได้จริงด้วยประแจกระบอกที่มีเครื่องวัดแรงบิดเสมอ

**การขันสกรูแบบแข็ง แบบยึดหยุ่น หรือแบบนุ่ม**

ในการทดสอบ แรงบิดที่ได้จากการแทรกเป็นลำดับติดต่อกันจะถูกวัดและโอนเข้าแผนภาพ ซึ่งจะแสดงผลเป็นเส้นโค้งของลักษณะเฉพาะของแรงบิด ระดับความสูงของเส้นโค้งคือแรงบิดสูงสุดที่ได้ และระดับความชันแสดงระยะเวลาที่ไปถึงแรงบิดสูงสุด

ความลาดของแรงบิดขึ้นอยู่กับปัจจัยต่อไปนี้:

- คุณสมบัติความแข็งของสกรู/นอต
- ชนิดของตัวเสริม (ประเภทวงแหวน สปริงแผ่น แผ่นซีล)
- คุณสมบัติความแข็งของวัสดุที่จะขันสกรู/ไขส่วเข้าไป
- สภาพการหล่อลื่นน้ำมันตรงรอยต่อระหว่างสกรู/ไขส่วและวัสดุที่ขันเข้าไป

เนื่องด้วยปัจจัยดังกล่าวข้างต้น จึงมีการขันแบบต่างๆ กันต่อไปนี้:

- **การขันแบบแข็ง** เกิดขึ้นในกรณีที่โลหะอยู่บนโลหะและใช้ประเก็นวงแหวน หลังใช้เวลาการแทรกช่วงสั้นๆ ก็จะได้แรงบิดสูงสุด (เส้นโค้งมีลักษณะลาดชัน) การแทรกเป็นเวลานานโดยไม่จำเป็นจะทำให้เครื่องชำรุดเสียหายเท่านั้น
- **การขันแบบยึดหยุ่น** เกิดขึ้นในกรณีที่โลหะอยู่บนโลหะ หากแต่ใช้วงแหวนสปริง สปริงแผ่น ตะปั่วใหญ่หรือสกรู/นอตที่มีกันรูปกรวย และเมื่อใช้ส่วนประกอบเพิ่มเติม
- **การขันแบบนุ่ม** เกิดขึ้นในกรณีที่ขันสกรู ต. ย. เช่น โลหะอยู่บนไม้ หรือเมื่อใช้ประเก็นวงแหวนตะกั่ว หรือประเก็นวงแหวนไฟเบอร์เป็นตัวเสริม

แรงบิดสูงสุดของการขันแบบยึดหยุ่นและแบบนุ่มจะต่ำกว่าแรงบิดขั้นสูงสุดของการขันแบบแข็ง และยังต้องการระยะเวลาการแทรกที่ยาวนานกว่าอย่างเห็นได้ชัดอีกด้วย

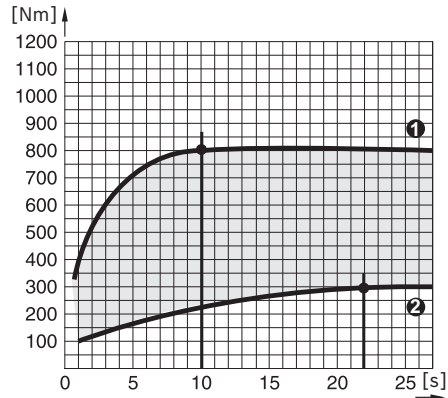
**การกำหนดระยะเวลาการแทรก**

แผนภาพ (ตัวอย่าง) แสดงว่าแรงบิดขั้นแน่น [Nm] ขึ้นอยู่กับระยะเวลาการแทรก [s]:

① สำหรับการขันแบบแข็ง

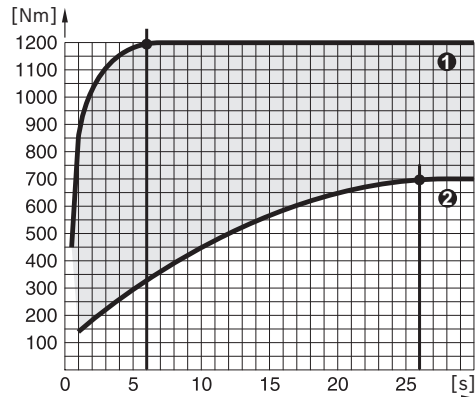
② สำหรับการขันแบบนุ่ม

ข้อมูลนี้เป็นค่าเฉลี่ยและผันแปรไปตามการใช้งาน สำหรับการควบคุม ให้ตรวจสอบแรงบิดขั้นแน่นด้วยประแจกระบอกที่มีเครื่องวัดแรงบิดเสมอ

**แผนภาพสำหรับ GDS 24**

ถึงแรงบิดสูงสุด:

- สำหรับการขันแบบแข็ง หลังจากการแทรกไปแล้วประมาณ 10 วินาที
- สำหรับการขันแบบนุ่ม หลังจากการแทรกไปแล้วประมาณ 22 วินาที

**แผนภาพสำหรับ GDS 30**

ถึงแรงบิดสูงสุด:

- สำหรับการขันแบบแข็ง หลังจากการแทรกไปแล้วประมาณ 6 วินาที
- สำหรับการขันแบบนุ่ม หลังจากการแทรกไปแล้วประมาณ 26 วินาที

ค่าอ้างอิงสำหรับแรงบิดขั้นแน่นสูงสุดของสกรู/ไขส่วที่มีจำหน่ายทั่วไป ดูตารางต่อไปนี้

## 26 | ภาษาไทย

### คำอ้างอิงสำหรับแรงบิดสูงสุดในการขันสกรู/ไขสกรู

คำนวณจากรูปตัดแรงเค้น; การใช้ให้เป็นประโยชน์ของจุดล้ากำลังของโลหะ 90 % (สัมประสิทธิ์ของแรงเสียดทาน  $\mu_{\text{total}} = 0.12$ ) สำหรับการควบคุม ให้ตรวจสอบแรงบิดขั้นต่ำด้วยประเภทของเครื่องมือเครื่องวัดแรงบิดเสมอ

ระดับคุณสมบัติตาม DIN 267	สกรู/ไขสกรูมาตรฐาน								ไขสกรูความแข็งแรงสูง			
	3.6	4.6	5.6	4.8	6.6	5.8	6.8	6.9	8.8	10.9	12.9	
M 8	6.57	8.7	11	11.6	13.1	14.6	17.5	19.7	23	33	39	
M 10	13	17.5	22	23	26	29	35	39	47	65	78	
M 12	22.6	30	37.6	40	45	50	60	67	80	113	135	
M 14	36	48	60	65	72	79	95	107	130	180	215	
M 16	55	73	92	98	110	122	147	165	196	275	330	
M 18	75	101	126	135	151	168	202	227	270	380	450	
M 20	107	143	178	190	214	238	286	320	385	540	635	
M 22	145	190	240	255	290	320	385	430	510	715	855	
<b>M 24</b>	185	245	310	325	370	410	490	455	<b>650</b>	910	1100	
M 27	275	365	455	480	445	605	725	815	960	1345	1615	
M 30	370	495	615	650	740	820	990	1110	1300	1830	2200	

### ตัวอย่างสำหรับการกำหนดระยะเวลากระทง (GDS 30)

สกรู/ไขสกรู ขนาด M 24 ที่มีระดับคุณสมบัติ 8.8 = แรงบิดขั้นต่ำของสกรู/ไขสกรู 650 นิวตันเมตร

สำหรับ 650 นิวตันเมตร แผนภาพ GDS 30 แสดงระยะเวลากระทง 0.8 วินาที (แผนภาพสำหรับ GDS 30 ดูหน้า 25)

### คำแนะนำ

แท่งบิดมีก้านเหล็กที่มีขนาดเส้นผ่าศูนย์กลางขนาดลดลงที่ปรับเทียบค่าตามมาตรฐานอย่างเที่ยงตรงด้วยเหตุนี้แท่งบิดจึงทำหน้าที่จำกัดแรงบิด แท่งบิดจะวางอยู่ระหว่างเครื่องขันน็อตและเครื่องมือใส่สลักการคร่าวๆ สำหรับการใช้งาน: เส้นผ่าศูนย์กลางแกนของสกรู/ไขสกรู = เส้นผ่าศูนย์กลางประสิทธิภาพของแท่งบิด ระยะเวลากระทงกำหนดได้จากการทดลองฝึกปฏิบัติ

สำหรับการแขวน ให้ใช้ห่วงสำหรับแขวน 1 ที่ประกอบติดอยู่ที่จุดศูนย์กลางถ่วงน้ำหนักของเครื่อง

ตำแหน่งด้ามจับสามารถเปลี่ยนได้ด้วยแผ่นหมุนฉาก (อุปกรณ์ประกอบ)

หากอุณหภูมิอยู่ต่ำกว่าจุดเยือกแข็ง ให้ปล่อยเครื่องวิ่งตัวเปล่า นานประมาณ 3 นาที เพื่อเพิ่มประสิทธิภาพการหล่อลื่นในเครื่อง

## การบำรุงรักษาและบริการ

### การบำรุงรักษาและการทำความสะอาด

▶ **ดึงปลั๊กไฟออกจากเต้าเสียบก่อนปรับแต่งเครื่อง**

▶ **เพื่อให้ทำงานได้อย่างถูกต้องและปลอดภัย ต้องรักษาเครื่องและช่องระบายอากาศให้สะอาดอยู่เสมอ**

เมื่อจำเป็นต้องเปลี่ยนสายไฟฟ้า ให้ส่งเครื่องให้บริษัท บ็อชหรือศูนย์บริการลูกค้าสำหรับเครื่องมือไฟฟ้า บ็อช ที่ได้รับมอบหมายทำการเปลี่ยนให้ เพื่อหลีกเลี่ยงอันตรายด้านความปลอดภัย

### การบริการหลังการขายและคำแนะนำการใช้งาน

ศูนย์บริการหลังการขายของเรายินดีตอบคำถามเกี่ยวกับการบำรุงรักษาและการซ่อมแซมผลิตภัณฑ์ของท่าน รวมทั้งชิ้นส่วนอะไหล่ ภาพแยกชิ้นประกอบและข้อมูลเกี่ยวกับชิ้นส่วนอะไหล่ยังสามารถดูได้ใน:

#### www.bosch-pt.com

ทีมงานให้คำแนะนำการใช้งานของ บ็อช ยินดีตอบคำถามเกี่ยวกับผลิตภัณฑ์ของเราและอุปกรณ์ประกอบของผลิตภัณฑ์ เมื่อต้องการสอบถามและสั่งซื้ออะไหล่ กรุณาแจ้งหมายเลขสินค้าหลักบนแผ่นป้ายรุ่นของเครื่องทุกครั้ง

ในกรณีประกัน ซ่อมแซม หรือซื้อชิ้นส่วนมาเปลี่ยน กรุณาติดต่อ ผู้ขายที่ได้รับแต่งตั้งท่าน

### ไทย

บริษัท โรเบิร์ต บ็อช จำกัด  
ชั้น 11 ดิกลีเบอร์ตี สแควร์

287 ถนนสีลม บางรัก  
กรุงเทพฯ 10500

โทรศัพท์ 02 63931111, 02 63931118

โทรสาร 02 2384783

บริษัท โรเบิร์ต บ็อช จำกัด ตู้ ปณ. 2054  
กรุงเทพฯ 10501 ประเทศไทย

www.bosch.co.th

ศูนย์บริการซ่อมและฝึกอบรม บ็อช

อาคาร ลาซาลทาวเวอร์ ชั้น G ห้องเลขที่ 2

บ้านเลขที่ 10/11 หมู่ 16

ถนนศรีนครินทร์

ตำบลบางแก้ว อำเภอบางพลี

จังหวัดสมุทรปราการ 10540

ประเทศไทย

โทรศัพท์ 02 7587555

โทรสาร 02 7587525

**การกำจัดขยะ**

เครื่องมือ อุปกรณ์ประกอบ และที่บด ต้องนำไปแยกประเภทวัสดุเพื่อนำกลับมาใช้ใหม่โดยไม่ทำลายสภาพแวดล้อม อย่าทิ้งเครื่องมือไฟฟ้าลงในขยะบ้าน!

ขอสงวนสิทธิ์ในการเปลี่ยนแปลงโดยไม่ต้องแจ้งล่วงหน้า

**Bahasa Indonesia****Petunjuk-Petunjuk untuk Keselamatan Kerja****Petunjuk-Petunjuk Umum untuk Perkakas Listrik**

**⚠ PERHATIKANLAH** Bacalah semua petunjuk-petunjuk untuk keselamatan kerja dan petunjuk-petunjuk untuk penggunaan.

Kesalahan dalam menjalankan petunjuk-petunjuk untuk keselamatan kerja dan petunjuk-petunjuk untuk penggunaan dapat mengakibatkan kontak listrik, kebakaran dan/atau luka-luka yang berat.

**Simpanlah semua petunjuk-petunjuk untuk keselamatan kerja dan petunjuk-petunjuk lainnya untuk penggunaan di masa depan.**

Kata "perkakas listrik" yang disebutkan di dalam petunjuk-petunjuk untuk keselamatan kerja adalah sebutan untuk perkakas listrik pakai listrik jaringan (dengan kabel) dan untuk perkakas listrik tenaga baterai (tanpa kabel listrik).

**Keselamatan kerja di tempat kerja**

- ▶ **Jagalah supaya tempat kerja selalu bersih dan terang.** Tempat kerja yang tidak rapi atau tidak terang dapat mengakibatkan terjadinya kecelakaan.
- ▶ **Janganlah menggunakan perkakas listrik di tempat di mana dapat terjadi ledakan, di mana ada cairan, gas atau debu yang mudah terbakar.** Perkakas listrik dapat memancarkan bunga api yang lalu mengakibatkan debu atau uap terbakar.
- ▶ **Selama menggunakan perkakas listrik, jauhkan anak-anak dan orang-orang lain dari tempat kerja.** Jika konsentrasi terganggu, bisa jadi Anda tidak bisa mengendalikan perkakas listrik tersebut.

**Keamanan listrik**

- ▶ **Steker dari perkakas listrik harus cocok pada stopkontak. Janganlah sekali-kali merubah steker. Janganlah menggunakan steker perantara bersama dengan perkakas listrik yang mempunyai hubungan arde.** Steker yang tidak dirubah dan stopkontak yang cocok mengurangi bahaya terjadinya kontak listrik.
- ▶ **Jagalah supaya badan Anda tidak bersentuhan dengan permukaan yang mempunyai hubungan arde, misalnya pipa-pipa, radiator pemanas ruangan, kompor listrik dan lemari es.** Ada risiko besar terjadi kontak listrik, jika badan Anda mempunyai hubungan arde.

- ▶ **Jagalah supaya perkakas listrik tidak kena hujan atau menjadi basah.** Air yang masuk ke dalam perkakas listrik menambah risiko terjadinya kontak listrik.
- ▶ **Janganlah menyalahgunakan kabel listrik untuk mengangkat dan menggantungkan perkakas listrik atau untuk menarik steker dari stopkontak. Jagalah supaya kabel listrik tidak kena panas, minyak, pinggiran yang tajam atau bagian-bagian perkakas yang bergerak.** Kabel listrik yang rusak atau tersangkut menambah risiko terjadinya kontak listrik.
- ▶ **Jika Anda menggunakan perkakas listrik di luar gedung, gunakanlah hanya kabel sambungan yang juga cocok untuk pemakaian di luar gedung.** Penggunaan kabel sambungan yang cocok untuk pemakaian di luar gedung mengurangi risiko terjadinya kontak listrik.
- ▶ **Jika penggunaan perkakas listrik di tempat yang basah tidak bisa dihindarkan, gunakanlah sakelar pengaman terhadap arus penyimpangan.** Penggunaan sakelar pengaman terhadap arus penyimpangan mengurangi risiko terjadinya kontak listrik.

**Keselamatan kerja**

- ▶ **Berhati-hatilah selalu, perhatikanlah apa yang Anda kerjakan dan bekerjalah dengan seksama jika menggunakan perkakas listrik. Janganlah menggunakan perkakas listrik, jika Anda capai atau berada di bawah pengaruh narkoba, minuman keras atau obat.** Jika Anda sekejap mata saja tidak berhati-hati sewaktu menggunakan perkakas listrik, dapat terjadi luka-luka berat.
- ▶ **Pakailah pakaian dan sarana pelindung dan pakailah selalu kaca mata pelindung.** Dengan memakai pakaian dan sarana pelindung, misalnya kedok anti debu (masker), sepatu tertutup yang tidak licin, helm pelindung atau pemalut telinga sesuai dengan pekerjaan yang dilakukan dengan perkakas listrik, bahaya terjadinya luka-luka dapat dikurangi.
- ▶ **Jagalah supaya perkakas listrik tidak dihidupkan secara tidak disengaja. Perhatikan bahwa perkakas listrik dalam penyetelan mati, jika steker disambungkan pada pengadaan listrik dan/atau baterai, jika perkakas listrik diangkat atau dibawa.** Jika selama mengangkat perkakas listrik jari Anda berada pada tombol untuk menghidupkan dan mematikan atau perkakas listrik yang dalam penyetelan hidup disambungkan pada listrik, dapat terjadi kecelakaan.
- ▶ **Lepaskan semua perkakas-perkakas penyetelan atau kunci-kunci pas sebelum perkakas listrik dihidupkan.** Perkakas atau kunci yang berada di dalam bagian yang berputar dapat mengakibatkan terjadinya luka-luka.
- ▶ **Aturkan badan sedemikian sehingga Anda bisa bekerja dengan aman. Berdirilah secara mantap dan jagalah selalu keseimbangan.** Dengan demikian Anda bisa mengendalikan perkakas listrik dengan lebih baik, jika terjadi sesuatu dengan tiba-tiba.
- ▶ **Pakailah pakaian yang cocok. Janganlah memakai pakaian yang longgar atau perhiasan. Jagalah supaya rambut, pakaian dan sarung tangan tidak masuk dalam**

## 28 | Bahasa Indonesia

bagian-bagian perkakas yang bergerak. Pakaian yang longgar, rambut panjang atau perhiasan dapat tersangkut dalam bagian perkakas yang bergerak.

- ▶ **Jika ada kemungkinan untuk memasang sarana penghisapan dan penampungan debu, perhatikan bahwa sarana-sarana ini telah dipasangkan dan digunakan dengan betul.** Penggunaan sarana penghisapan bisa mengurangi bahaya yang disebabkan debu.

#### Penggunaan dan penanganan perkakas listrik dengan seksama

- ▶ **Janganlah membebankan perkakas listrik terlalu berat. Gunakan selalu perkakas listrik yang cocok untuk pekerjaan yang dilakukan.** Dengan perkakas listrik yang cocok Anda bekerja lebih baik dan lebih aman dalam batas-batas kemampuan yang ditentukan.
- ▶ **Janganlah menggunakan perkakas listrik yang tombolnya rusak.** Perkakas listrik yang tidak bisa dihidupkan atau dimatikan, berbahaya dan harus direparasikan.
- ▶ **Tariklah steker dari stopkontak dan/atau keluarkan baterai, sebelum Anda melakukan penyetulan pada perkakas listrik, mengganti alat-alat kerja atau sebelum menyimpan perkakas listrik.** Tindakan keselamatan kerja ini mengurangi bahaya perkakas listrik hidup secara tidak disengaja.
- ▶ **Simpanlah perkakas listrik yang tidak digunakan di luar jangkauan anak-anak. Janganlah mengizinkan orang-orang yang tidak mengenal perkakas listrik ini atau yang belum membaca petunjuk-petunjuk ini, menggunakan perkakas listrik ini.** Perkakas listrik bisa menjadi berbahaya, jika digunakan oleh orang-orang yang tidak mengenalnya.
- ▶ **Rawatlah perkakas listrik dengan seksama. Periksa, apakah bagian-bagian perkakas listrik yang bergerak berfungsi dengan baik dan tidak tersangkut, apakah ada bagian-bagian yang patah atau rusak sedemikian, sehingga dapat mempengaruhi jalannya perkakas listrik. Biarkan bagian-bagian perkakas yang rusak direparasikan, sebelum Anda mulai menggunakan perkakas listrik.** Banyak kecelakaan terjadi karena perkakas listrik tidak dirawat dengan seksama.
- ▶ **Perhatikan supaya alat-alat pemotong selalu tajam dan bersih.** Alat-alat pemotong dengan mata-mata pemotong yang tajam dan dirawat dengan seksama tidak mudah tersangkut dan lebih mudah dikendalikan.
- ▶ **Gunakanlah semua perkakas listrik, aksesoris, alat-alat kerja dsb. sesuai dengan petunjuk-petunjuk. Perhatikan syarat-syarat kerja dan macam pekerjaan yang dilakukan.** Penggunaan perkakas listrik untuk macam pekerjaan yang tidak cocok dengan kegunaannya bisa mengakibatkan keadaan yang berbahaya.

#### Servis

- ▶ **Biarkan perkakas listrik Anda direparasikan hanya oleh orang-orang ahli yang berpengalaman dan hanya dengan menggunakan suku cadang yang asli.** Dengan

demikian terjamin keselamatan kerja dengan perkakas listrik ini secara berkesinambungan.

#### Petunjuk-petunjuk untuk keselamatan kerja untuk obeng elektro dengan getaran

- ▶ **Peganglah perkakas listrik hanya pada pegangan yang terisolir, jika Anda melakukan pekerjaan di mana sekiranya bisa terkena pada saluran listrik yang tidak terlihat atau kabelnya sendiri.** Sentuhan sekrap pada kabel yang bertegangan dapat mengakibatkan bagian-bagian logam dari perkakas listrik juga bertegangan dan lalu mengakibatkan kontak listrik.
- ▶ **Janganlah menggunakan perkakas listrik, jika kabelnya rusak. Janganlah menyentuh kabel yang rusak dan tariklah steker dari stopkontak, jika kabel menjadi rusak selama penggunaan perkakas listrik.** Kabel yang rusak membuat risiko terjadinya kontak listrik menjadi lebih besar.
- ▶ **Gunakanlah gagang tambahan-gagang tambahan, jika ini dipasok bersama dengan perkakas listrik.** Perkakas listrik yang tidak bisa dikendalikan bisa mengakibatkan terjadinya luka-luka.
- ▶ **Peganglah perkakas listrik secara kencang.** Pada waktu memutar masuk dan memutar ke luar sekrap bisa terjadi momen yang besar untuk waktu yang singkat.
- ▶ **Selama digunakan, peganglah perkakas listrik dengan kedua belah tangan dan perhatikanlah supaya Anda berdiri secara teguh.** Perkakas listrik bisa dikendalikan lebih baik jika dipegang dengan kedua belah tangan.
- ▶ **Usahakan supaya benda yang dikerjakan tidak goyang.** Benda yang ditahan dalam alat pemegang atau bais lebih mantap daripada benda yang dipegang dengan tangan.
- ▶ **Sebelum meletakkan perkakas listrik, tunggulah sampai perkakas berhenti memutar.** Alat kerja bisa tersangkut dan membuat perkakas listrik tidak bisa dikendalikan.

#### Penjelasan tentang produk dan daya



**Bacalah semua petunjuk-petunjuk untuk keselamatan kerja dan petunjuk-petunjuk untuk penggunaan.** Kesalahan dalam menjalankan petunjuk-petunjuk untuk keselamatan kerja dan petunjuk-petunjuk untuk penggunaan dapat mengakibatkan kontak listrik, kebakaran dan/atau luka-luka yang berat.

Bukalah halaman lipatan dengan gambar dari perkakas dan biarkan halaman ini terbuka selama Anda membaca petunjuk-petunjuk untuk penggunaan.

#### Penggunaan alat

Perkakas listrik ini cocok untuk memutar masuk dan memutar ke luar sekrap dan baut serta untuk mengencangkan dan mengendorkan mur masing-masing dalam batas-batas ukuran yang ditentukan.

### Bagian-bagian pada gambar

Nomor-nomor dari bagian-bagian perkakas pada gambar sesuai dengan gambar perkakas listrik pada halaman bergambar.

- 1 Mata gantungan
- 2 Gagang tambahan
- 3 Ulir untuk gagang tambahan

- 5 Tombol untuk menghidupkan dan mematikan
- 5 Omsakelar arah putaran
- 6 Pemegang alat kerja
- 7 Alat kerja
- 8 Pegangan (genggaman terisolir)

**Aksesori yang ada pada gambar atau yang dijelaskan, tidak termasuk pasokan standar dari perkakas listrik. Semua aksesori yang ada bisa Anda lihat dalam program aksesori Bosch.**

### Data teknis

Obeng elektro dengan getaran	GDS 24	GDS 30	
Nomor model	0 601 434 1..	0 601 435 1..	
Masukan nominal	W	800	920
Daya	W	400	500
Kecepatan putaran tanpa beban	min <sup>-1</sup>	1260	1260
Momen putar maks. penyekrupan ketat/lunak menurut ISO 5393	Nm	600/300	1000/500
Putaran ke kanan/kiri		●	●
Ø-sekrup maks.		M 24	M 30
Pemegang alat kerja		■ ¾"	■ 1"
Berat sesuai dengan EPTA-Procedure 01:2014	kg	5,7	7,3
Klasifikasi keamanan		□ / II	□ / II

Data-data berlaku untuk tegangan nominal [U] 230 V. Pada tegangan yang lebih rendah dan pada model khusus mancanegara data-data ini bisa berlainan.

## Cara memasang

### Mengganti alat kerja

- ▶ **Sebelum mulai dengan pekerjaan pada perkakas listrik, tariklah steker dari stopkontak.**
- ▶ **Pada waktu memasang alat kerja, perhatikanlah bahwa alat kerja duduk secara mantap pada pemegang alat kerja.** Jika alat kerja tidak dipasangkan secara mantap pada pemegang alat kerja, alat kerja bisa terlepas dan tidak bisa dikendalikan lagi.

Dorongan alat kerja **7** pada segi empat dari pemegang alat kerja **6**.

## Penggunaan

### Cara berfungsi

Pemegang alat kerja **6** dan alat kerjanya dikerahkan oleh motor elektro yang dilengkapi dengan transmisi dan alat penggetar.

Kejadian pelaksanaan terdiri dari dua tahap: **memutar** dan **mengunci** (alat penggetar beraksi).

Alat penggetar mulai beraksi setelah sekrup mulai terkunci dan motor dibebani. Dengan demikian alat penggetar mengubah daya motor menjadi getaran putar yang berkekuatan sama. Pada waktu memutar keluar sekrup, fungsinya seperti ini tetapi dalam urutan terbalik.

### Cara penggunaan

- ▶ **Perhatikan tegangan jaringan listrik! Tegangan jaringan listrik harus sesuai dengan tegangan listrik yang tercantum pada label tipe perkakas listrik.**

#### Menyetel arah putaran

- ▶ **Omsakelar arah putaran 5 hanya boleh digerakkan selama perkakas listrik tidak berjalan.**

Dengan omsakelar arah putaran **5** Anda bisa merubah arah putaran dari perkakas listrik.

**Putaran ke kanan:** Dorongkan omsakelar arah putaran **5** sampai batas ke bawah (R).

**Putaran ke kiri:** Dorongkan omsakelar arah putaran **5** sampai batas ke atas (L).

#### Menghidupkan/mematikan

Untuk **menghidupkan**, tekan tombol untuk menghidupkan dan mematikan **5** dan tahan tekan.

Untuk **mematikan**, lepaskan tombol untuk menghidupkan dan mematikan **5**.

Untuk menghemat energi, hidupkan perkakas listrik hanya jika Anda menggunakannya.

#### Petunjuk-petunjuk untuk pemakaian

- ▶ **Sebelum mulai dengan pekerjaan pada perkakas listrik, tariklah steker dari stopkontak.**
- ▶ **Gunakanlah perkakas listrik hanya dengan gagang tambahan 2.**

## 30 | Bahasa Indonesia

► **Pasangkan perkakas listrik pada mur/sekrup hanya jika perkakas listrik dalam keadaan mati.** Alat kerja-alat kerja yang berputar bisa meleset.

Momen putar yang tercapai tergantung dari lamanya penggunaan getaran. Momen putar maksimal adalah jumlah hasil momen putar-momen putar setiap pukulan (getaran). Momen putar maksimal tercapai setelah penggunaan getaran selama 6-10 detik. Setelah ini momen putar hampir tidak dapat diperbesar lagi.

Akan tetapi rumahan transmisi jelas menjadi panas.

**Petunjuk:** Pemanasan yang terlalu besar mengakibatkan semua komponen alat penggetar menjadi cepat aus dan pemborosan bahan pelumas.

Lamanya penggunaan getaran harus diperiksa untuk setiap momen kunci yang diperlukan. Momen kunci yang telah dicapai harus selalu diperiksa dengan kunci momen.

#### Penyekrupan pada kedudukan ketat, pegas atau lunak

Jika dalam uji coba diukur momen putar-momen putar yang tercapai dengan suatu deretan getaran dan dimuatkan dalam diagram, maka hasilnya adalah grafik momen putar yang spesifik. Ketinggian grafik tersebut menggambarkan momen putar maksimum yang tercapai, tanjakan grafik tersebut menggambarkan lamanya waktu hingga tercapai momen tersebut.

Grafik momen putar yang spesifik tergantung dari faktor-faktor sebagai berikut:

- kekerasan baut/mur
- jenis lapisan pada baut (ring pelat, ring pegas piring, paking)
- kekerasan benda yang akan dihubungkan dengan baut atau sekrup
- keadaan pelumasan pada baut atau sekrup

Berdasarkan hal tersebut penggunaannya adalah sebagai berikut:

- **Kedudukan ketat** ada pada penyekrupan logam pada logam dengan memakai ring pelat. Setelah waktu penggunaan getaran yang relatif pendek tercapai momen putar maksimal (tanjakan grafik yang tajam). Penggunaan getaran terlalu lama yang tidak diperlukan malah merusakkan mesin.
- **Kedudukan pegas** ada pada penyekrupan logam pada logam yang memakai ring fer, ring pegas piring, baut stud atau baut-baut/mur-mur dengan kedudukan yang tirus serta jika digunakan baut-baut penyambung.
- **Kedudukan lunak** ada pada penyekrupan misalnya logam pada kayu atau jika dipakai ring-ring pelat dari timbel atau bahan paking seperti fiber.

Pada kedudukan pegas atau lunak momen kunci maksimal adalah lebih rendah daripada pada kedudukan ketat. Selain itu diperlukan waktu getaran yang lebih lama.

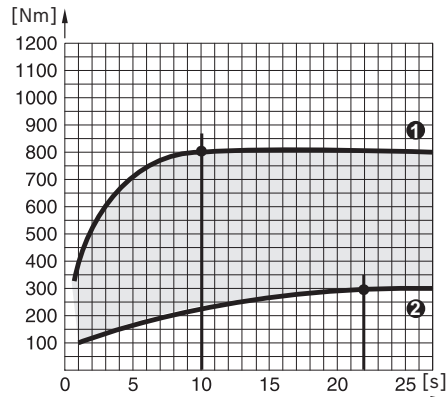
#### Menghitung lamanya penggunaan getaran

Diagram-diagram (contoh-contoh) menunjukkan momen kunci [Nm] tergantung dari penggunaan getaran [s]:

- ❶ untuk kedudukan ketat
- ❷ untuk kedudukan lunak.

Bilangan-bilangan adalah nilai rata-rata dan bisa berbeda, tergantung dari penggunaan. Periksalah selalu momen kunci dengan kunci momen untuk mengontrol.

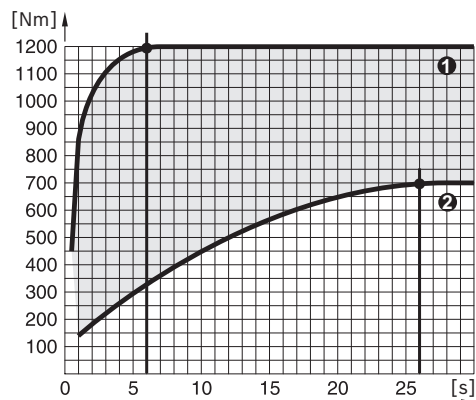
#### Diagram untuk GDS 24



Momen putar yang paling tinggi tercapai:

- untuk kedudukan ketat setelah kira-kira 10 detik penggunaan getaran
- untuk kedudukan lunak setelah kira-kira 22 detik penggunaan getaran

#### Diagram untuk GDS 30



Momen putar yang paling tinggi tercapai:

- untuk kedudukan ketat setelah kira-kira 6 detik penggunaan getaran
- untuk kedudukan lunak setelah kira-kira 26 detik penggunaan getaran

Pedoman momen kunci-momen kunci maksimal pada baut yang lazim didagangkan bisa dilihat di tabel berikut.

**Pedoman momen kunci maksimum pada baut**

Nilai dalam Nm, dihitung dari penampang lintang; menggunakan 90 % dari batas renggang (pada faktor gesekan  $\mu_{jumlah} = 0,12$ ). Untuk mengontrol, periksalah selalu momen kunci dengan kunci momen.

Kelas daya tahan menurut norma DIN 267	Baut-baut dengan daya tahan standar							Baut-baut dengan daya tahan yang amat tinggi			
	3.6	4.6	5.6	4.8	6.6	5.8	6.8	6.9	8.8	10.9	12.9
M 8	6.57	8.7	11	11.6	13.1	14.6	17.5	19.7	23	33	39
M 10	13	17.5	22	23	26	29	35	39	47	65	78
M 12	22.6	30	37.6	40	45	50	60	67	80	113	135
M 14	36	48	60	65	72	79	95	107	130	180	215
M 16	55	73	92	98	110	122	147	165	196	275	330
M 18	75	101	126	135	151	168	202	227	270	380	450
M 20	107	143	178	190	214	238	286	320	385	540	635
M 22	145	190	240	255	290	320	385	430	510	715	855
<b>M 24</b>	185	245	310	325	370	410	490	455	<b>650</b>	910	1100
M 27	275	365	455	480	445	605	725	815	960	1345	1615
M 30	370	495	615	650	740	820	990	1110	1300	1830	2200

**Contoh untuk menghitung lamanya penggunaan getaran (GDS 30)**

Baut M 24 dengan kelas daya tahan 8.8 = momen kunci pada baut 650 Nm

Dari diagram GDS 30 ternyata, pada 650 Nm penggunaan getaran selama 0,8 detik. (Diagram untuk GDS 30 lihat halaman 30)

**Tips**

Batang torsi-batang torsi mempunyai gagang dengan diameter yang dikecilkan dengan ukuran yang sangat teliti. Dengan demikian batang torsi-batang torsi berfungsi sebagai pembatas momen putar. Batang torsi dipasangkan antara obeng elektro dengan getaran dan mata obeng bit. Sebagai petunjuk umum untuk penggunaan berlaku: diameter tras pada baut = diameter nyata pada batang torsi. Lamanya penggunaan getaran didapatkan dengan cara melakukan uji coba.

Untuk menggantungkan perkakas listrik, pada titik beratnya tersedia mata gantungan **1**.

Dengan satu sambungan siku-siku (aksesoir) Anda bisa merubah kedudukan pegangan.

Jika suhu di bawah titik beku, kami anjurkan supaya perkakas listrik ini mula-mula dibiarkan berputar tanpa beban selama kira-kira 3 menit, untuk memperbaiki pelumasan di dalam perkakas listrik.

**Rawatan dan servis****Rawatan dan kebersihan**

- ▶ **Sebelum mulai dengan pekerjaan pada perkakas listrik, tarikhlah steker dari stopkontak.**
- ▶ **Perkakas listrik dan lubang ventilasi harus selalu dibersihkan supaya perkakas bisa digunakan dengan baik dan aman.**

Jika kabel listrik harus digantikan, pekerjaan ini harus dilakukan oleh Bosch atau Service Center untuk perkakas listrik Bosch yang resmi, supaya keselamatan kerja selalu terjamin.

**Layanan pasca beli dan konseling terkait pengoperasian**

Layanan pasca beli Bosch menjawab semua pertanyaan Anda terkait reparasi dan maintenance serta suku cadang produk ini. Gambar tiga dimensi dan informasi terkait suku cadang dapat Anda lihat di:

**www.bosch-pt.com**

Tim konseling pengoperasian dari Bosch dengan senang hati membantu Anda, jika Anda hendak bertanya tentang produk-produk kami dan aksesorisnya.

Jika Anda hendak menanyakan sesuatu atau memesan suku cadang, sebutkan selalu nomor model yang terdiri dari 10 angka dan tercantum pada label tipe perkakas.

**Indonesia**

PT Robert Bosch  
Palma Tower 9<sup>th</sup> & 10<sup>th</sup> Floor  
Jl. Let. Jend. TB Simatupang II S/06  
Jakarta Selatan 12960  
Indonesia  
Tel.: (021) 3005 6565  
Fax: (021) 3005 5801  
E-Mail: boschpowertools@id.bosch.com  
www.bosch-pt.co.id

**Cara membuang**

Perkakas listrik, aksesoris dan kemasan sebaiknya didaur ulang sesuai dengan upaya untuk melindungi lingkungan hidup.

Janganlah membuang perkakas listrik dalam sampah rumah tangga!

**Perubahan dapat terjadi tanpa pemberitahuan sebelumnya.**

## Tiếng Việt

### Các Nguyên Tắc An Toàn

#### Cảnh báo tổng quát cách sử dụng an toàn dụng cụ điện cầm tay

**⚠ CẢNH BÁO** Đọc kỹ mọi cảnh báo an toàn và hướng dẫn. Không tuân thủ mọi cảnh báo và hướng dẫn được liệt kê dưới đây có thể bị điện giật, gây cháy và/hay bị thương tật nghiêm trọng.

**Hãy giữ tất cả tài liệu về cảnh báo và hướng dẫn để tham khảo về sau.**

Thuật ngữ “dụng cụ điện cầm tay” trong phần cảnh báo là để cập đến sự sử dụng dụng cụ điện cầm tay của bạn, loại sử dụng điện nguồn (có dây cắm điện) hay vận hành bằng pin (không dây cắm điện).

#### Khu vực làm việc an toàn

- ▶ **Giữ nơi làm việc sạch và đủ ánh sáng.** Nơi làm việc bừa bộn và tối tăm dễ gây ra tai nạn.
- ▶ **Không vận hành dụng cụ điện cầm tay trong môi trường dễ gây nổ, chẳng hạn như nơi có chất lỏng dễ cháy, khí đốt hay rác.** Dụng cụ điện cầm tay tạo ra các tia lửa nên có thể làm rác bén cháy hay bốc khói.
- ▶ **Không để trẻ em hay người đến xem đứng gần khi vận hành dụng cụ điện cầm tay.** Sự phân tâm có thể gây ra sự mất điều khiển.

#### An toàn về điện

- ▶ **Phích cắm của dụng cụ điện cầm tay phải thích hợp với ổ cắm.** Không bao giờ được cài biến lại phích cắm dưới mọi hình thức. Không được sử dụng phích tiếp hợp nối tiếp đất (dây mát). Phích cắm nguyên bản và ổ cắm đúng loại sẽ làm giảm nguy cơ bị điện giật.
- ▶ **Tránh không để thân thể tiếp xúc với đất hay các vật có bề mặt tiếp đất như đường ống, lò sưởi, hàng rào và tủ lạnh.** Có nhiều nguy cơ bị điện giật hơn nếu cơ thể bạn bị tiếp hay nối đất.
- ▶ **Không được để dụng cụ điện cầm tay ngoài mưa hay ở tình trạng ẩm ướt.** Nước vào máy sẽ làm tăng nguy cơ bị điện giật.
- ▶ **Không được lạm dụng dây dẫn điện.** Không bao giờ được nắm dây dẫn để xách, kéo hay rút phích cắm dụng cụ điện cầm tay. Không để dây gần nơi có nhiệt độ cao, dầu nhớt, vật nhọn bén hay bộ phận chuyển động. Làm hỏng hay cuộn rối dây dẫn làm tăng nguy cơ bị điện giật.
- ▶ **Chỉ sử dụng dụng cụ điện cầm tay ngoài trời, dùng dây nối thích hợp cho việc sử dụng**

ngoài trời. Sử dụng dây nối thích hợp cho việc sử dụng ngoài trời làm giảm nguy cơ bị điện giật.

- ▶ **Nếu việc sử dụng dụng cụ điện cầm tay ở nơi ẩm ướt là không thể tránh được, dùng thiết bị ngắt mạch tự động (RCD) bảo vệ nguồn.** Sử dụng thiết bị ngắt mạch tự động RCD làm giảm nguy cơ bị điện giật.

#### An toàn cá nhân

- ▶ **Hãy tỉnh táo, biết rõ mình đang làm gì và hãy sử dụng ý thức khi vận hành dụng cụ điện cầm tay.** Không sử dụng dụng cụ điện cầm tay khi đang mệt mỏi hay đang bị tác động do chất gây nghiện, rượu hay dược phẩm gây ra. Một thoáng mất tập trung khi đang vận hành dụng cụ điện cầm tay có thể gây thương tích nghiêm trọng cho bản thân.
  - ▶ **Sử dụng trang bị bảo hộ cá nhân. Luôn luôn đeo kính bảo vệ mắt.** Trang bị bảo hộ như khẩu trang, giày chống trượt, nón bảo hộ, hay dụng cụ bảo vệ tai khi được sử dụng đúng nơi đúng chỗ sẽ làm giảm nguy cơ thương tật cho bản thân.
  - ▶ **Phòng tránh máy khởi động bất ngờ. Bảo đảm công tắc máy ở vị trí tắt trước khi cắm vào nguồn điện và/hay lắp pin vào, khi nhắc máy lên hay khi mang xách máy.** Ngáng ngón tay vào công tắc máy để xách hay kích hoạt dụng cụ điện cầm tay khi công tắc ở vị trí mở dễ dẫn đến tai nạn.
  - ▶ **Lấy mọi chìa hay khóa điều chỉnh ra trước khi mở điện dụng cụ điện cầm tay.** Khóa hay chìa còn gắn dính vào bộ phận quay của dụng cụ điện cầm tay có thể gây thương tích cho bản thân.
  - ▶ **Không rướn người. Luôn luôn giữ tư thế đúng thích hợp và thăng bằng.** Điều này tạo cho việc điều khiển dụng cụ điện cầm tay tốt hơn trong mọi tình huống bất ngờ.
  - ▶ **Trang phục thích hợp. Không mặc quần áo rộng lủng thụng hay mang trang sức. Giữ tóc, quần áo và găng tay xa khỏi các bộ phận chuyển động.** Quần áo rộng lủng thụng, đồ trang sức hay tóc dài có thể bị cuốn vào các bộ phận chuyển động.
  - ▶ **Nếu có các thiết bị đi kèm để nối máy hút bụi và các phụ kiện khác, bảo đảm các thiết bị này được nối và sử dụng tốt.** Việc sử dụng các thiết bị gom hút bụi có thể làm giảm các độc hại liên quan đến bụi gây ra.
- Sử dụng và bảo dưỡng dụng cụ điện cầm tay**
- ▶ **Không được ép máy. Sử dụng dụng cụ điện cầm tay đúng loại theo đúng ứng dụng của bạn.** Dụng cụ điện cầm tay đúng chức năng sẽ làm việc tốt và an toàn hơn theo đúng tiến độ mà máy được thiết kế.

- ▶ **Không sử dụng dụng cụ điện cầm tay nếu như công tắc không tắt và mở được.** Bất kỳ dụng cụ điện cầm tay nào mà không thể điều khiển được bằng công tắc là nguy hiểm và phải được sửa chữa.
- ▶ **Rút phích cắm ra khỏi nguồn điện và/hay pin ra khỏi dụng cụ điện cầm tay trước khi tiến hành bất kỳ điều chỉnh nào, thay phụ kiện, hay cất dụng cụ điện cầm tay.** Các biện pháp ngăn ngừa như vậy làm giảm nguy cơ dụng cụ điện cầm tay khởi động bất ngờ.
- ▶ **Cất giữ dụng cụ điện cầm tay không dùng tới nơi trẻ em không lấy được và không cho người chưa từng biết dụng cụ điện cầm tay hay các hướng dẫn này sử dụng dụng cụ điện cầm tay.** Dụng cụ điện cầm tay nguy hiểm khi ở trong tay người chưa được chỉ cách sử dụng.
- ▶ **Bảo quản dụng cụ điện cầm tay.** Kiểm tra xem các bộ phận chuyên động có bị sai lệch hay kẹt, các bộ phận bị rạn nứt và các tình trạng khác có thể ảnh hưởng đến sự vận hành của máy. Nếu bị hư hỏng, phải sửa chữa máy trước khi sử dụng. Nhiều tai nạn xảy ra do bảo quản dụng cụ điện cầm tay tồi.
- ▶ **Giữ các dụng cụ cất bên và sạch.** Bảo quản đúng cách các dụng cụ cất có cạnh cắt bén làm giảm khả năng bị kẹt và dễ điều khiển hơn.
- ▶ **Sử dụng dụng cụ điện cầm tay, phụ kiện, đầu cài v. v., đúng theo các chỉ dẫn này, hãy lưu ý đến điều kiện làm việc và công việc phải thực hiện.** Sử dụng dụng cụ điện cầm tay khác với mục đích thiết kế có thể tạo nên tình huống nguy hiểm.

#### Bảo dưỡng

- ▶ **Đưa dụng cụ điện cầm tay của bạn đến thợ chuyên môn để bảo dưỡng, chỉ sử dụng phụ tùng đúng chủng loại để thay.** Điều này sẽ đảm bảo sự an toàn của máy được giữ nguyên.

#### Các Cảnh Báo An Toàn cho Cẩn Xiết Lực

- ▶ **Nắm giữ dụng cụ điện nơi phần nắm cách điện khi thực hiện việc gia công nơi chi tiết lắp bắt có thể chạm vào dây điện không nhìn thấy được hay chính dây của máy.** Chi tiết lắp bắt chạm vào dây "có điện" có thể làm cho các bộ phận kim loại không được bao bọc của dụng cụ điện "có điện" và có khả năng gây cho người sử dụng máy bị điện giật.
- ▶ **Không bao giờ được sử dụng máy có dây dẫn bị hỏng.** Không được chạm vào dây dẫn bị hỏng và kéo phích cắm điện nguồn ra trong lúc vận hành mà dây dẫn bị hỏng. Dây dẫn bị hỏng làm tăng nguy cơ bị điện giật.

- ▶ **Hãy sử dụng tay nắm phụ, nếu như được giao kèm với dụng cụ.** Sự mất điều khiển có thể gây thương tích cho bản thân.
- ▶ **Giữ máy bằng cách nắm thật chặt.** Lực vận ngược mạnh có thể xảy ra chớp nhoáng trong lúc bắt vít vào hay vặn ra.
- ▶ **Khi sử dụng máy, luôn luôn giữ chặt máy bằng cả hai tay và tạo tư thế đứng vững chãi.** Dụng cụ điện cầm tay vận hành an toàn hơn khi dùng cả hai tay.
- ▶ **Kẹp chặt vật gia công.** Vật gia công được kẹp bằng một thiết bị kẹp hay bằng êtô thì vững chắc hơn giữ bằng tay.
- ▶ **Luôn luôn đợi cho máy hoàn toàn ngừng hẳn trước khi đặt xuống.** Dụng cụ lắp vào máy có thể bị kẹp chặt dẫn đến việc dụng cụ điện cầm tay bị mất điều khiển.

## Mô Tả Sản Phẩm và Đặc Tính Kỹ Thuật



**Đọc kỹ mọi cảnh báo an toàn và mọi hướng dẫn.** Không tuân thủ mọi cảnh báo và hướng dẫn được liệt kê dưới đây có thể bị điện giật, gây cháy và/hay bị thương tật nghiêm trọng.

Trong khi đọc các hướng dẫn sử dụng, mở trang gấp hình ảnh máy và để mở nguyên như vậy.

#### Dành sử dụng cho

Máy được thiết kế để tháo hoặc bắt vít và bu-loong cũng như để siết hay tháo đai ốc trong phạm vi kích cỡ tương ứng.

#### Biểu trưng của sản phẩm

Sự đánh số các biểu trưng của sản phẩm là để tham khảo hình minh họa của máy trên trang hình ảnh.

- 1 Móc treo
- 2 Tay nắm phụ
- 3 Vòng ren lắp tay nắm phụ
- 5 Công tắc Tắt/Mở
- 5 Gạc vận chuyển đổi chiều quay
- 6 Phần lắp dụng cụ
- 7 Sự lắp dụng cụ
- 8 Tay nắm (bề mặt nắm cách điện)

**Phụ tùng được trình bày hay mô tả không phải là một phần của tiêu chuẩn hàng hóa được giao kèm theo sản phẩm.** Bạn có thể tham khảo tổng thể các loại phụ tùng, phụ kiện trong chương trình phụ tùng của chúng tôi.

## 34 | Tiếng Việt

**Thông số kỹ thuật**

Máy Vận Dùng Lực Va Đập	GDS 24	GDS 30	
Mã số máy	0 601 434 1..	0 601 435 1..	
Công suất vào danh định	W	800	920
Công suất ra	W	400	500
Tốc độ không tải	v/p	1260	1260
Lực vận tối đa ứng dụng cho việc bắt vít vào vật liệu cứng/mềm theo ISO 5393	Nm	600/300	1000/500
Quay Phải/Trái		●	●
Đường kính vít tối đa		M 24	M 30
Phần lắp dụng cụ		■ ¾"	■ 1"
Trọng lượng theo Quy trình EPTA-Procedure 01:2014 (chuẩn EPTA 01:2014)	kg	5.7	7.3
Cấp độ bảo vệ		□ / II	□ / II

Các giá trị đã cho có hiệu lực cho điện thế danh định [U] 230 V. Đối với điện thế thấp hơn và các loại máy dành riêng cho một số quốc gia, các giá trị này có thể thay đổi.

**Sự lắp vào****Thay Dụng Cụ**

- ▶ **Trước khi tiến hành bất cứ việc gì trên máy, kéo phích cắm điện nguồn ra.**
- ▶ **Khi bạn lắp dụng cụ vào, đảm bảo rằng dụng cụ đã được bắt chắc vào phần cập dụng cụ.** Nếu dụng cụ không được bắt chắc vào phần cập dụng cụ, nó có thể bị tuột ra và không thể điều khiển được nữa.

Lắp dụng cụ được sử dụng 7 lên trên phần dẫn động vòng của phần lắp dụng cụ 6.

**Vận Hành****Cách Thức Hoạt Động**

Phần cập dụng cụ 6 có dụng cụ được dẫn động thông qua một mô-tơ điện và sự đập cơ học.

Quy trình hoạt động được chia ra làm hai giai đoạn: **Bắt vào** và **siết chặt** (chế độ đập đang vận hành).

Sự đập cơ học có tác động ngay khi việc bắt vít vào đã chặt cứng và vì vậy tải trọng được chuyển đặt lên mô-tơ. Ngay tại thời điểm này, tác động đập cơ học chuyển công suất của mô-tơ thành những cú đập xoay tròn đều đặn. Khi tháo vít hay đai ốc ra, qui trình chuyển đổi ngược lại.

**Bắt Đầu Vận Hành**

- ▶ **Tuân thủ theo đúng điện thế! Điện thế nguồn phải đúng với điện thế đã ghi rõ trên nhãn máy.**

**Đảo Chiều Quay**

- ▶ **Khởi động gạt chỉ chiều quay 5 chỉ khi máy đã hoàn toàn dừng hẳn.**

Gạt chỉ chiều quay 5 được sử dụng để đảo ngược chiều quay của máy.

**Chiều quay phải:** Vận gạt chỉ chiều quay 5 xuống hết dưới (R).

**Chiều quay trái:** Vận gạt chỉ chiều quay 5 lên hết trên (L).

**Bật Mở và Tắt**

Để **bắt đầu vận hành**, nhấn công tắc chuyển mạch **Tắt/Mở 5** và giữ nhấn.

Để **tắt máy**, thả công tắc chuyển mạch **Tắt/Mở 5** ra.

Để tiết kiệm năng lượng, chỉ cho dụng cụ điện hoạt động khi sử dụng.

**Hướng Dẫn Sử Dụng**

- ▶ **Trước khi tiến hành bất cứ việc gì trên máy, kéo phích cắm điện nguồn ra.**
- ▶ **Chỉ vận hành máy của bạn khi đã gắn tay nắm phụ 2.**
- ▶ **Tra dụng cụ điện cắm tay vào vít/đai ốc chỉ khi đã tắt công tắc.** Dụng cụ gắn trong máy đang xoay có thể trượt ra ngoài.

Lực vận tùy thuộc vào khoảng thời gian đập. Lực vận tối đa đạt được là kết quả của tổng số các lực vận riêng lẻ hoàn thành thông qua động tác đập. Lực vận tối đa đạt được sau khoảng thời gian đập là 6-10 giây. Sau khoảng thời gian này, lực siết chặt chỉ tăng thêm ở mức tối thiểu.

Tuy nhiên, vỏ bọc phần truyền lực nóng lên đáng kể.

**Ghi Chú:** Hậu quả của sự nóng lên thái quá là sự mài mòn cao của các cơ phận kỹ thuật búa và mức độ cần bôi trơn cao hơn.

Khoảng thời gian đập được xác định cho từng lực siết riêng lẻ cần có. Để biết lực siết thực tế đạt được, luôn luôn kiểm tra bằng một cờ-lê sử dụng lực xoắn.

### Ứng dụng việc bắt vít có Vòng Đệm Cứng, Mềm hay Lò Xo Chịu Tải

Khi trong thí nghiệm, lực vặn hoàn tất trong một chuỗi đập được đo và chuyển thành biểu đồ, biểu diễn thành đường cong mang đặt tính của lực xoắn. Chiều cao của đường cong tương ứng với lực xoắn tối đa có thể đạt được, và đường đi xuống thể hiện khoảng thời gian trong đó động thái này hoàn thành. Đường biến thiên của lực xoắn dựa trên các yếu tố sau:

- Tính chất bền của vít/đai ốc
- Loại đệm trợ lực (vòng lót, đệm lò xo, vòng đệm kín)
- Tính chất bền của vật liệu được bắt ghép bằng vít/bu-loong
- Tình trạng bôi trơn tại nơi bắt vít/bu-loong

Các trường hợp ứng dụng có kết quả theo tương ứng như sau:

- **Điểm tựa cứng** được dành để ứng dụng cho việc bắt ghép giữa kim loại với kim loại có sử dụng vòng đệm. Sau thời gian đập tương đối ngắn, lực xoắn tối đa hoàn thành (đặt tính của đường cong đi xuống). Không cần phải có khoảng thời gian đập dài vì làm thế chỉ làm cho máy bị hỏng.
- **Điểm tựa có đệm lò xo chịu tải** được dành để ứng dụng cho việc bắt ghép giữa kim loại với kim loại, tuy nhiên có sử dụng lò xo chịu tải, lò xo mâm, đinh tán hay vít có đế côn cũng như khi sử dụng phần nổi dài.
- **Điểm tựa mềm** được dành để ứng dụng cho việc bắt vít, v.d. kim loại lên gỗ hay khi dùng vòng đệm chì hay đệm lót bằng nhựa để làm thêm chắc.

Đối với điểm tựa có đệm lò xo chịu tải cũng như điểm tựa mềm, lực siết chặt tối đa thấp hơn điểm tựa cứng. Cũng như thế, đương nhiên là cần có khoảng thời gian đập dài hơn.

#### Xác định Khoảng Thời gian Va Đập

Các biểu đồ (ví dụ) chỉ rõ rằng lực siết vặn [Nm] tùy thuộc vào khoảng thời gian va đập s):

- ❶ cho điểm tựa cứng
- ❷ cho điểm tựa mềm.

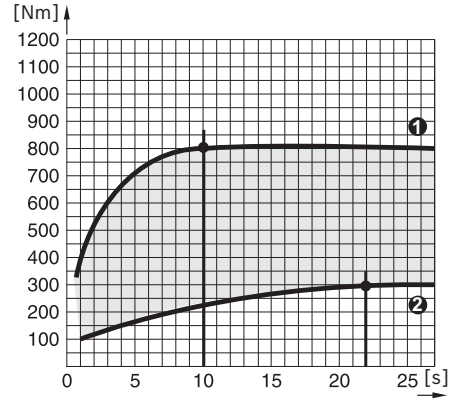
Các dữ liệu là các trị số trung bình và thay đổi tùy theo ứng dụng. Luôn luôn kiểm tra lực siết vặn lại bằng máy vặn dùng lực xoắn như là một biện pháp kiểm soát.

#### Số Liệu Tham Chiếu Của Lực Siết Tối Đa Dành Cho Vít/Đai Ốc

Được tính từ tiết diện căng ngang; sự tận dụng điểm ứng suất biến dạng 90 % (với hệ số ma sát  $\mu_{\text{tăng cộng}} = 0.12$ ). Luôn luôn sử dụng cờ-lê vặn hành bằng lực xoắn như một cách để kiểm tra lực siết.

Thuộc tính Chứng loại theo tiêu chuẩn	Vít/Bu-loong tiêu chuẩn								Bu-loong có sức bền cao			
	Đức DIN 267	3.6	4.6	5.6	4.8	6.6	5.8	6.8	6.9	8.8	10.9	12.9
M 8	6.57	8.7	11	11.6	13.1	14.6	17.5	19.7	23	33	39	
M 10	13	17.5	22	23	26	29	35	39	47	65	78	
M 12	22.6	30	37.6	40	45	50	60	67	80	113	135	

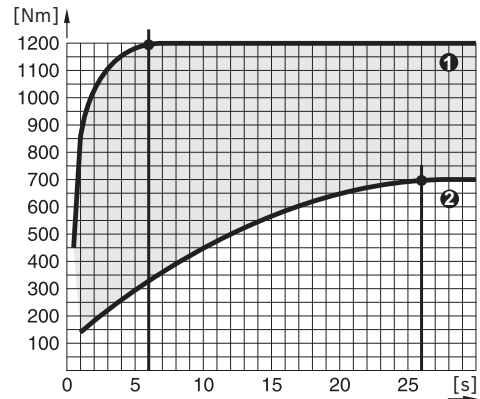
#### Biểu đồ dành cho GDS 24



Lực siết vặn cao nhất đạt được:

- đối với điểm tựa cứng sau khoảng 10 giây va đập
- đối với điểm tựa mềm sau khoảng 22 giây va đập

#### Biểu đồ dành cho GDS 30



Lực siết vặn cao nhất đạt được:

- đối với điểm tựa cứng sau khoảng 6 giây va đập
- đối với điểm tựa mềm sau khoảng 26 giây va đập

Để tham khảo các số liệu chịu lực siết vặn tối đa của vít/đai ốc thương phẩm, xin xem các bảng biểu dưới đây.

**36 | Tiếng Việt**

Thuộc tính Chứng loại theo tiêu chuẩn Đức DIN 267	Vít/Bu-loong tiêu chuẩn										Bu-loong có sức bền cao	
	3.6	4.6	5.6	4.8	6.6	5.8	6.8	6.9	8.8	10.9	12.9	
M 14	36	48	60	65	72	79	95	107	130	180	215	
M 16	55	73	92	98	110	122	147	165	196	275	330	
M 18	75	101	126	135	151	168	202	227	270	380	450	
M 20	107	143	178	190	214	238	286	320	385	540	635	
M 22	145	190	240	255	290	320	385	430	510	715	855	
<b>M 24</b>	185	245	310	325	370	410	490	455	<b>650</b>	910	1100	
M 27	275	365	455	480	445	605	725	815	960	1345	1615	
M 30	370	495	615	650	740	820	990	1110	1300	1830	2200	

**Các Thí dụ để Xác định Khoảng Thời gian Va Đập (GDS 30)**

Vít/đai ốc có cỡ M 24 cấp độ thuộc tính 8.8 = Vít/đai ốc chịu lực siết vận 650 Nm

Đối với 650 Nm, GDS 30 biểu đồ thể hiện khoảng thời gian va đập là 0.8 giây. (Biểu đồ dành cho GDS 30 xem trang 35)

**Mạch nước**

Trục xoắn có các chuỗi được định cỡ một cách chính xác. Nếu như làm giảm đường kính, tác động siết vận bị hạn chế. Trục xoắn được đặt giữa máy vận dùng lực va đập và mũi dụng cụ.

Theo kinh nghiệm ứng dụng: Đường kính lõi của vít/đai ốc = đường kính tác dụng của trục xoắn. Khoảng thời gian va đập được xác định thông qua thực tế thử nghiệm.

Để treo, móc treo **1** được gắn ở điểm trọng tâm của máy.

Vị trí của tay nắm có thể thay đổi bằng chi tiết nối ghép góc (phụ kiện).

Ở nhiệt độ thấp hơn điểm đóng băng, cho máy hoạt động không tải trong khoảng ba phút để làm tăng năng lực bôi trơn.

**Bảo Dưỡng và Bảo Quản****Bảo Dưỡng Và Làm Sạch**

- ▶ **Trước khi tiến hành bất cứ việc gì trên máy, kéo phích cắm điện nguồn ra.**
- ▶ **Để được an toàn và máy hoạt động đúng chức năng, luôn luôn giữ máy và các khe thông gió được sạch.**

Nếu như cần phải thay dây dẫn điện thì công việc này phải do hãng Bosch, hay một đại lý được Bosch ủy nhiệm thực hiện để tránh gặp sự nguy hiểm do mất an toàn.

**Dịch Vụ Sau Khi Bán và Dịch Vụ Ứng Dụng**

Bộ phận phục vụ hàng sau khi bán của chúng tôi sẽ trả lời các câu hỏi liên quan đến việc bảo trì và sửa chữa các sản phẩm cũng như các phụ tùng thay thế của bạn. Hình ảnh chi tiết và thông tin phụ tùng thay thế có thể tìm hiểu theo địa chỉ dưới đây:

**[www.bosch-pt.com](http://www.bosch-pt.com)**

Bộ phận dịch vụ ứng dụng Bosch sẽ hân hạnh trả lời các câu hỏi liên quan đến các sản phẩm của chúng tôi và linh kiện của chúng.

Trong mọi thư từ giao dịch và đơn đặt hàng phụ tùng, xin vui lòng luôn viết đủ 10 con số đã được ghi trên nhãn máy.

**Việt Nam**

Công ty Trách Nhiệm Hữu Hạn Robert Bosch

Việt Nam, PT/SVN

Tầng 10, 194 Golden Building

473 Điện Biên Phủ

Phường 25, Quận Bình Thạnh

Thành Phố Hồ Chí Minh

Việt Nam

Tel.: (08) 6258 3690 Ext 413

Fax: (08) 6258 3692

hiieu.lagia@vn.bosch.com

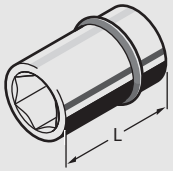
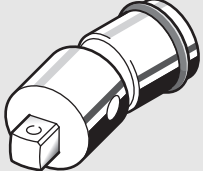
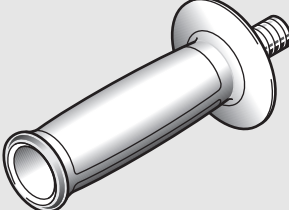
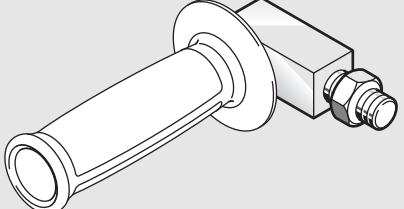
[www.bosch-pt.com](http://www.bosch-pt.com)

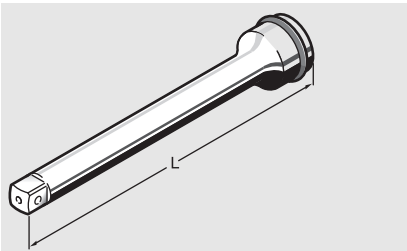
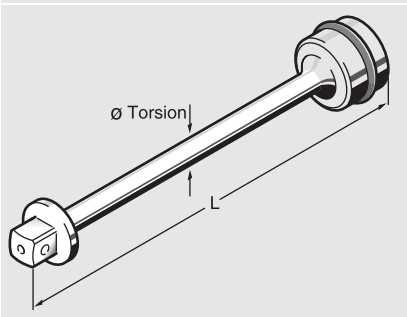
**Thải bỏ**

Máy, linh kiện và bao bì phải được phân loại để tái chế theo hướng thân thiện với môi trường.

Không được thải bỏ dụng cụ điện vào chung với rác sinh hoạt!

**Được quyền thay đổi nội dung mà không phải thông báo trước.**

	<b>GDS 24</b>	<b>GDS 30</b>	○	<b>L (mm)</b>	
	●	-	M 10	50	1 608 556 001
	●	-	M 12	50	1 608 556 005
	●	-	M 14	50	1 608 556 011
	●	-	M 16	50	1 608 556 015
	●	-	M 18	54	1 608 556 021
	●	-	M 20	54	1 608 556 027
	●	-	M 22	58	1 608 556 029
	●	-	M 24	58	1 608 556 033
	●	-	M 27	58	1 608 556 118
	-	●	M 16	60	1 608 557 043
	-	●	M 18	60	1 608 557 046
	-	●	M 20	60	1 608 557 049
	-	●	M 22	64	1 608 557 050
	-	●	M 24	67	1 608 557 054
	-	●	M 27	70	1 608 557 058
-	●	M 30	70	1 608 557 060	
-	●	M 33	82	1 608 557 063	
-	●	M 36	85	1 608 557 067	
	<b>GDS 24</b>	<b>GDS 30</b>	○	<b>L (mm)</b>	
	●	-	3/4" / 19,05 mm	100	1 608 500 008
-	●	1" / 25,4 mm	125	1 608 500 009	
	<b>GDS 24</b>	<b>GDS 30</b>	○	<b>L (mm)</b>	
●	●	M 14	150	1 602 025 022	
	<b>GDS 24</b>	<b>GDS 30</b>	○	<b>L (mm)</b>	
●	●	M 14	70	1 603 527 017	

	<b>GDS 24</b>	<b>GDS 30</b>	⬡	<b>L (mm)</b>	
	-	●	1"/ 25,4 mm	175	1 608 507 002
	-	●	1"/ 25,4 mm	250	1 608 507 003
	<b>GDS 24</b>	<b>GDS 30</b>	<b>Ø mm</b>	<b>L (mm)</b>	
	●	-	10	195	1 608 506 009
	●	-	12	195	1 608 506 010
	●	-	14	195	1 608 506 011
	●	-	16	195	1 608 506 012
	●	-	18	195	1 608 506 013
	●	-	20	195	1 608 506 014
	●	-	26	195	1 608 506 015