

Milwaukee®

Nothing but **HEAVY DUTY**®



M12 FID2

Original instructions

Originalbetriebsanleitung

Notice originale

Istruzioni originali

Manual original

Oorspronkelijke gebruiksaanwijzing

Original brugsanvisning

Original bruksanvisning

Bruksanvisning i original

Alkuperäiset ohjeet

Πρωτότυπο οδηγιών χρήσης

Orijinal işletme talimatı

Původním návodem k používání

Pôvodný návod na použitie

Instrukcja oryginalną

Eredeti használati utasítás

Izvirna navodila

Originalne pogonske upute

Instrukcijām oriģinālvalodā

Originali instrukcija

Algupärane kasutusjuhend

Оригинальное руководство по эксплуатации

Оригинално ръководство за експлоатация

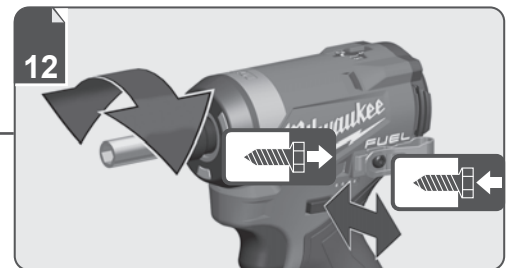
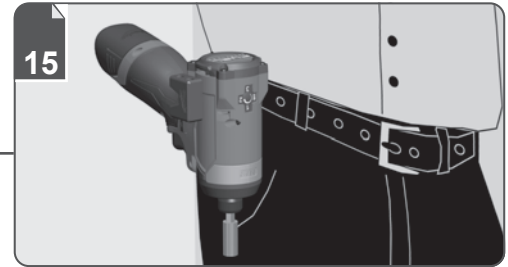
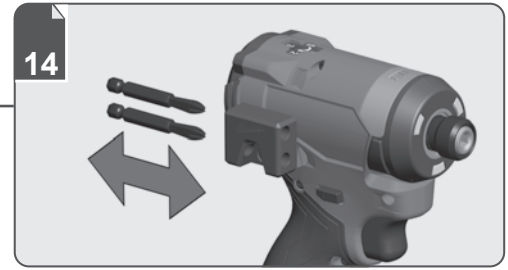
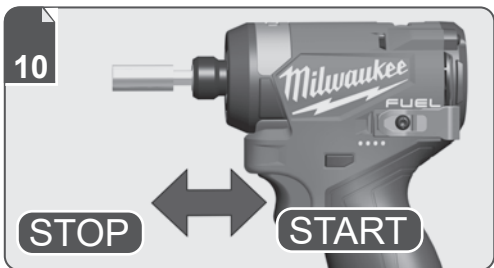
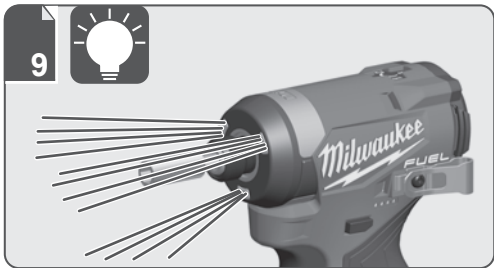
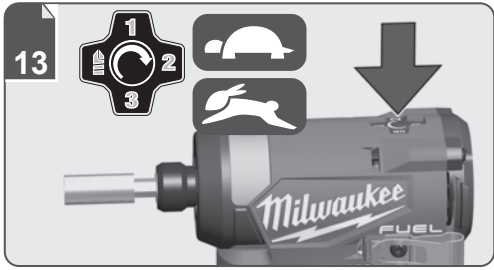
Instrucțiuni de folosire originale

Оригинален прирачник за работа

Оригінал інструкції з експлуатації

التعليمات الأصلية

ENGLISH	Picture section with operating description and functional description	Page	4	Text section with Technical Data, important Safety and Working Hints and description of Symbols	Page	18
DEUTSCH	Bildteil mit Anwendungs- und Funktionsbeschreibungen	Seite	4	Textteil mit Technischen Daten, wichtigen Sicherheits- und Arbeitshinweisen und Erklärung der Symbole.	Seite	21
FRANÇAIS	Partie imagée avec description des applications et des fonctions	Page	4	Partie textuelle avec les données techniques, les consignes importantes de sécurité et de travail ainsi que l'explication des pictogrammes.	Page	24
ITALIANO	Sezione illustrata con descrizione dell'applicazione e delle funzioni	Pagina	4	Sezione testo con dati tecnici, importanti informazioni sulla sicurezza e sull'utilizzo, spiegazione dei simboli.	Pagina	27
ESPAÑOL	Sección de ilustraciones con descripción de aplicación y descripción funcional	Página	4	Sección de texto con datos técnicos, indicaciones importantes de seguridad y trabajo y explicación de los símbolos.	Página	30
PORTUGUES	Parte com imagens explicativas contendo descrição operacional e funcional	Página	4	Parte com texto explicativo contendo Especificações técnicas, avisos de segurança e de operação e a descrição dos símbolos.	Página	33
NEDERLANDS	Beeldgedeelte met toepassings- en functiebeschrijvingen	Pagina	4	Tekstgedeelte met technische gegevens, belangrijke veiligheids- en arbeidsinstructies en verklaring van de symbolen.	Pagina	36
DANSK	Billeddel med anvendelses- og funktionsbeskrivelser	Side	4	Tekstdel med tekniske data, vigtige sikkerheds- og arbejdsanvisninger og symbolforklaring.	Side	39
NORSK	Billeddel med bruks- og funksjonsbeskrivelse	Side	4	Tekstdel med tekniske data, viktige sikkerhets- og arbeidsinstruksjoner og forklaring av symbolene.	Side	42
SVENSKA	Bilddel med användnings- och funktionsbeskrivning	Sidan	4	Textdel med tekniska informationer, viktiga säkerhets- och användningsinstruktioner samt symbolförklaringar.	Sidan	45
SUOMI	Kuvasivut käyttö- ja toimintakuvaus	Sivu	4	Tekstisivut: tekniset tiedot, tärkeät turvallisuus- ja työskentelyohjeet sekä merkkien selitykset.	Sivu	48
ΕΛΛΗΝΙΚΑ	Τμήμα εικόνων με περιγραφές χρήσης και λειτουργίας	Σελίδα	4	Τμήμα κειμένου με τεχνικά χαρακτηριστικά, σημαντικές υποδείξεις ασφαλείας και εργασίας και εξήγηση των συμβόλων.	Σελίδα	51
TÜRKÇE	Resim bölümü Uygulama ve fonksiyon açıklamaları ile birlikte	Sayfa	4	Teknik bilgileri, önemli güvenlik ve çalışma açıklamalarını ve de sembollerin açıklamalarını içeren metin bölümü.	Sayfa	54
ČEŠTINA	Obrazová část s popisem aplikací a funkcí	Stránka	4	Textová část s technickými daty, důležitými bezpečnostními a pracovními pokyny a s vysvětlivkami symbolů	Stránka	57
SLOVENSKY	Obrazová část s popisom aplikácií a funkcií	Stránka	4	Textová časť s technickými dátami, dôležitými bezpečnostnými a pracovnými pokynmi a s vysvetlivkami symbolov	Stránka	60
POLSKI	Część rysunkowa z opisami zastosowania i działania	Strona	4	Część opisowa z danymi technicznymi, ważnymi wskazówkami dotyczącymi bezpieczeństwa i pracy oraz objaśnieniami symboli.	Strona	63
MAGYAR	Képes részalkalmazási- és működési leírásokkal	Oldal	4	Szöveges rész műszaki adatokkal, fontos biztonsági- és munkavégzési útmutatásokkal, valamint a szimbólumok magyarázata.	Oldal	66
SLOVENŠČINA	Del slikez opisom uporabe in funkcij	Stran	4	Del besedila s tehničnimi podatki, pomembnimi varnostnimi opozorili in delovnimi navodili in pojasnili simbolov.	Stran	69
HRVATSKI	Dio sa slikamasa opisima primjene i funkcija	Stranica	4	Dio štiva sa tehničkim podacima, važnim sigurnosnim i radnim uputama i objašnjenjem simbola.	Stranica	72
LATVISKI	Attēla daļa ar lietošanas un funkciju aprakstiem	Lappuse	4	Teksta daļa ar tehniskajiem parametriem, svarīgiem drošības un darbības norādījumiem, simbolu atšifrējumiem.	Lappuse	75
LIETUVIŠKAI	Paveikslėlio dalis su vartojimo instrukcija ir funkcijų aprašymais	Puslapis	4	Teksto dalis su techniniais duomenimis, svarbiomis saugumo ir darbo instrukcijomis bei simbolių paaiškinimais.	Puslapis	78
EESTI	Pildiosa kasutusjuhendi ja funktsioonide kirjeldusega	Lehekülg	4	Tekstiosa tehniliste näitajate, oluliste ohutus- ja tööjuhenditega ning sümbolite kirjeldustega.	Lehekülg	81
РУССКИЙ	Раздел иллюстраций с описанием эксплуатации и функций	Страница	4	Текстовый раздел, включающий технические данные, важные рекомендации по безопасности и эксплуатации, а также описание используемых символов.	Страница	84
БЪЛГАРСКИ	Част със снимки с описания за приложение и функции	Страница	4	Част с текст с технически данни, важни указания за безопасност и работа и разяснение на символите.	Страница	87
ROMÂNĂ	Secvența de imagine cu descrierea utilizării și a funcțiilor	Pagina	4	Porțiune de text cu date tehnice, indicații importante privind siguranța și modul de lucru și descrierea simbolurilor.	Pagina	90
МАКЕДОНСКИ	Дел со сликисо описи за употреба и функционирање	Страница	4	Текстуален дел со Технички карактеристики, важни безбедносни и работни упатства и објаснување на символите.	Страница	93
УКРАЇНСЬКА	Частина з зображеннями з описом робіт та функцій	Сторінка	4	Текстова частина з технічними даними, важливими вказівками з техніки безпеки та експлуатації і поясненням символів.	Сторінка	96
عربي	قسم الصور يوجد به الوصف التشغيلي والوظيفي	الصفحة	4	القسم النصي المزود بالبيانات الفنية والنصائح الهامة للسلامة والعمل ووصف الرموز	الصفحة	101





1



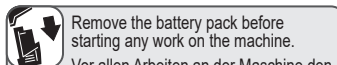
2



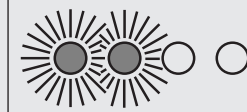
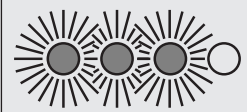
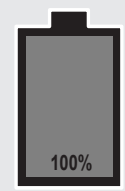
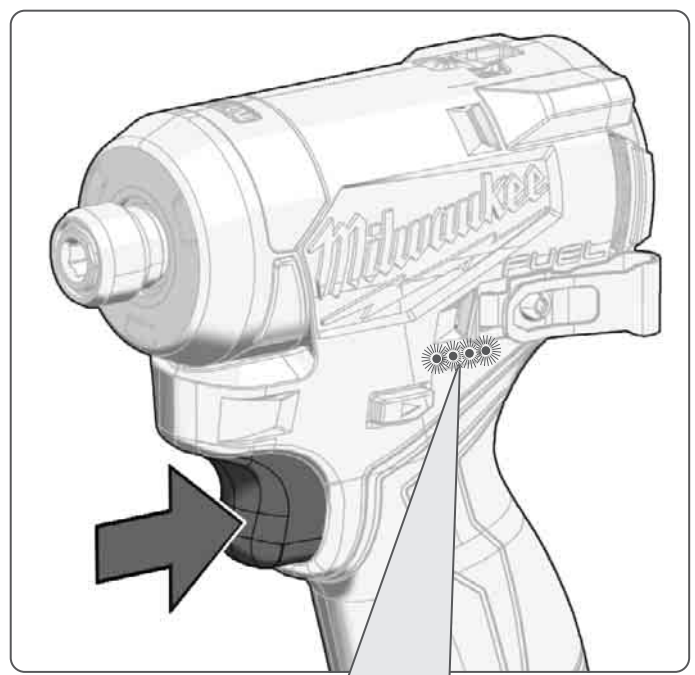
1

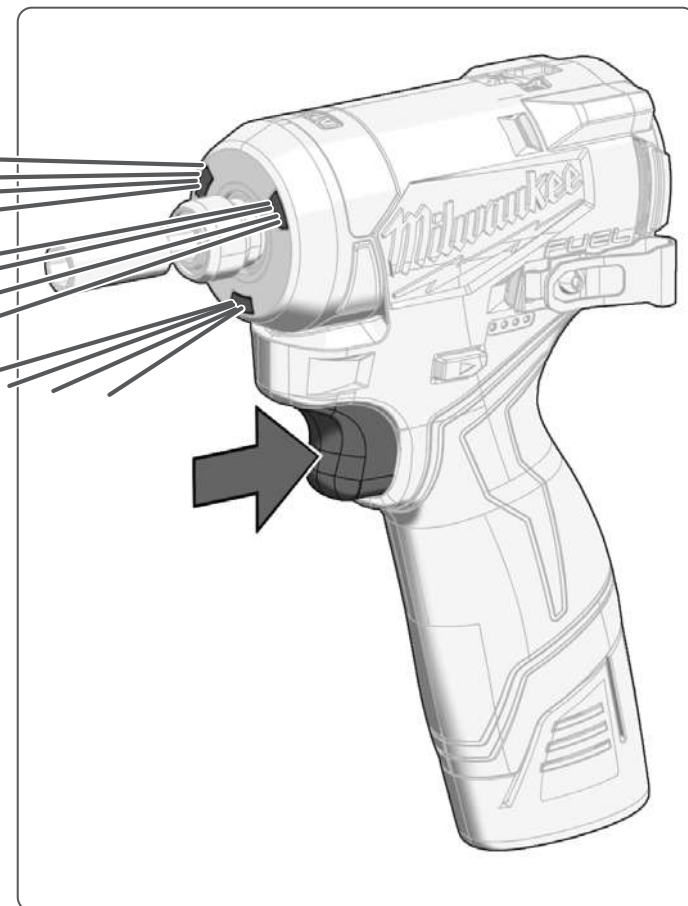
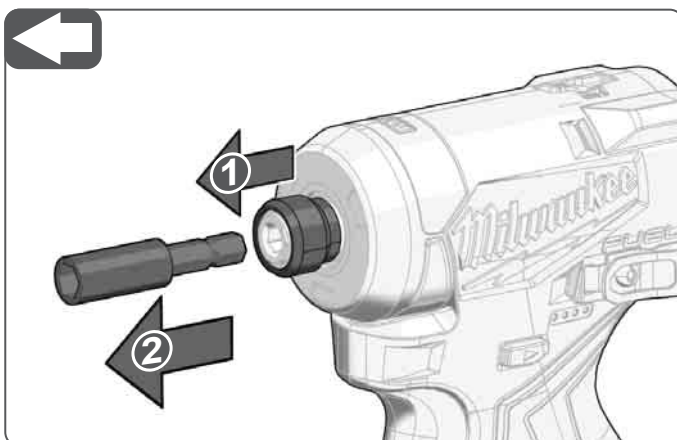
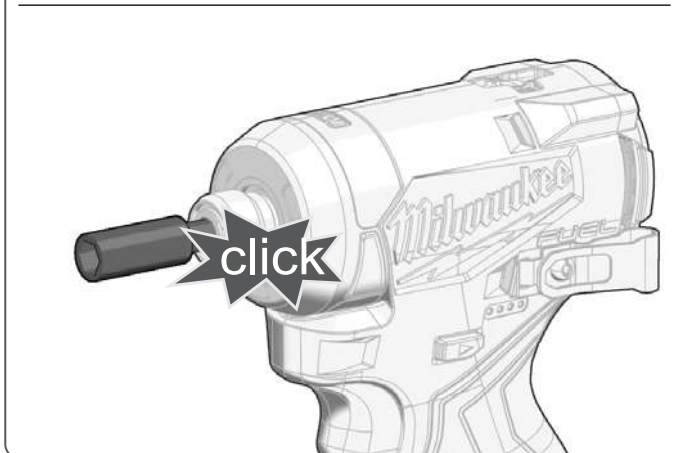
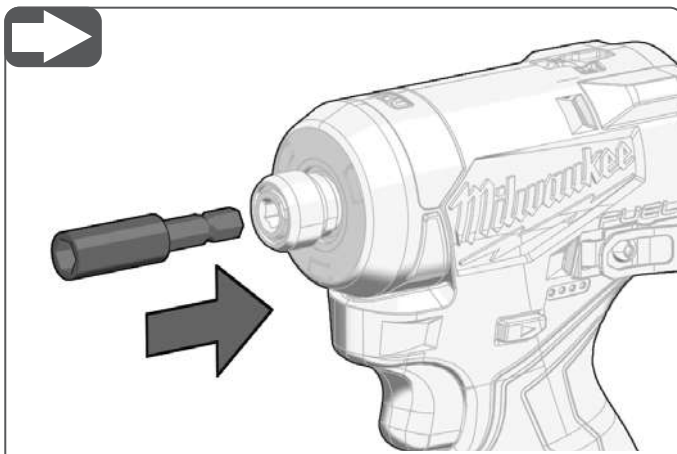


2



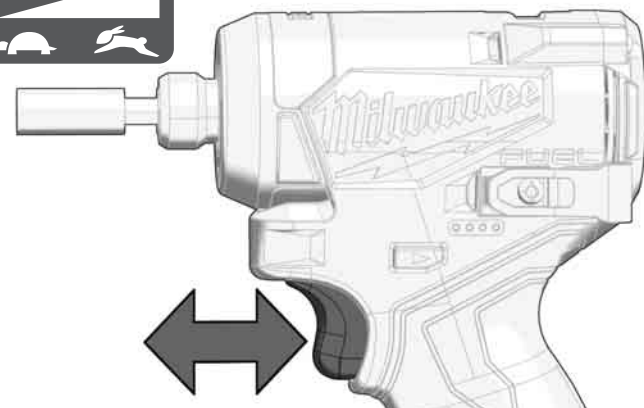
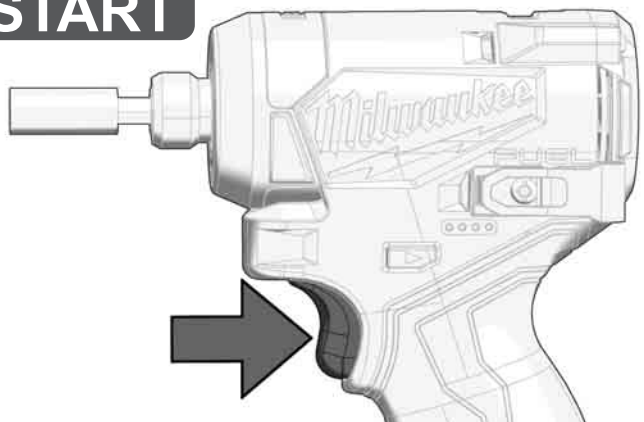
Remove the battery pack before starting any work on the machine.
 Vor allen Arbeiten an der Maschine den Wechselakku herausnehmen
 Avant tous travaux sur la machine retirer l'accu interchangeable.
 Prima di iniziare togliere la batteria dalla macchina.
 Retire la batería antes de començar cualquier trabajo en la máquina.
 Antes de efectuar qualquer intervenção na máquina retirar o bloco acumulador.
 Voor alle werkzaamheden aan de machine de akku verwijderen.
 Ved arbejde inden i maskinen, bør batteriet tages ud.
 Ta ut vekslebatteriet før du arbeider på maskinen
 Drag ur batteripaket innan arbete utföres på maskinen.
 Tarkista pistotulppa ja verkkojohto mahdollisilta vaurioilta. Viat saa korjata vain alan erikoismies.
 Πριν από κάθε εργασία στη μηχανή αφαιρέστε την ανταλλακτική μπαταρία.
 Aletin kendinde bir çalışma yapmadan önce kartuş aküyü çıkarın.
 Před zahájením veškerých prací na vrtacím šroubovákú vyjmout výměnný akumulátor.
 Pred každou prácou na stroji výmenný akumulátor vytiahnuť.
 Przed przystąpieniem do jakichkolwiek prac na elektronarzędziu należy wyjąć wkładkę akumulatorową.
 Karbantartás, javítás, tisztítás, stb. előtt az akkumulátort ki kell venni a készülékből.
 Pred deli na stroju izvlcite izmenljivi akumulator.
 Prije svih radova na stroju izvaditi bateriju za zamjenu.
 Pirms mašīnai veikt jebkāda veida apkopes darbus, ir jāizņem arī akumulators.
 Prieš atlikdami bet kokius darbus įrenginyje, išimkite keičiamą akumuliatorių.
 Enne kõiki töid masina kallal võtke vahetatav aku välja.
 Выньте аккумулятор из машины перед проведением с ней каких-либо манипуляций.
 Преди започване на каквито е да е работи по машината извадете акумулатора.
 Scoateți acumulatorul înainte de a începe orice intervenție pe mașină.
 Отстранете ја батеријата пред да започнете да ја користите машината.
 Перед будь-якими роботами на машині виїняти змінну акумуляторну батарею.
 قم بإزالة حزمة البطارية قبل البدء في أي أعمال على الجهاز.



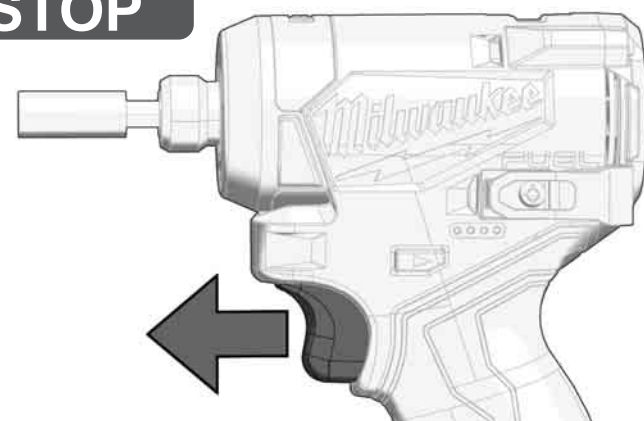




START



STOP



Insulated gripping surface

Isolierte Grifffläche

Surface de prise isolée

Superficie di presa isolata

Superficie de agarre con aislamiento

Superfície de pega isolada

Geïsoleerde handgrepen

Isolerede gribeflader

Isolert gripeflate

Isolerad greppyta

Eristetty tarttumapinta

Μονωμένη επιφάνεια λαβής

Izolasyonlu tutma yüzeyi

Izolovaná uchopovací plocha

Izolovaná úchopná plocha

Izolowana powierzchnia uchwytu

Szigetelt fogófelület

Izolirana prijemalna površina

Izolirana površina za držanje

Izolēta satveršanas virsma

Izoliuotas rankenos paviršius

Isoleeritud pideme piirkond

Изолированная поверхность ручки

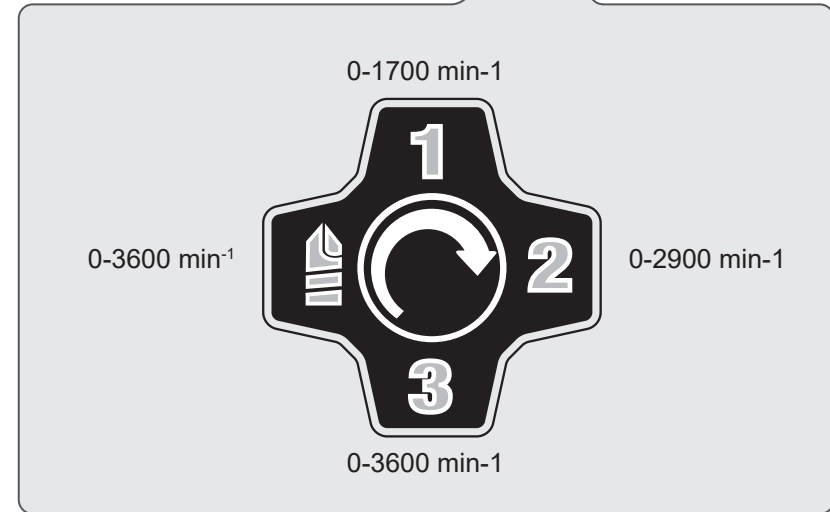
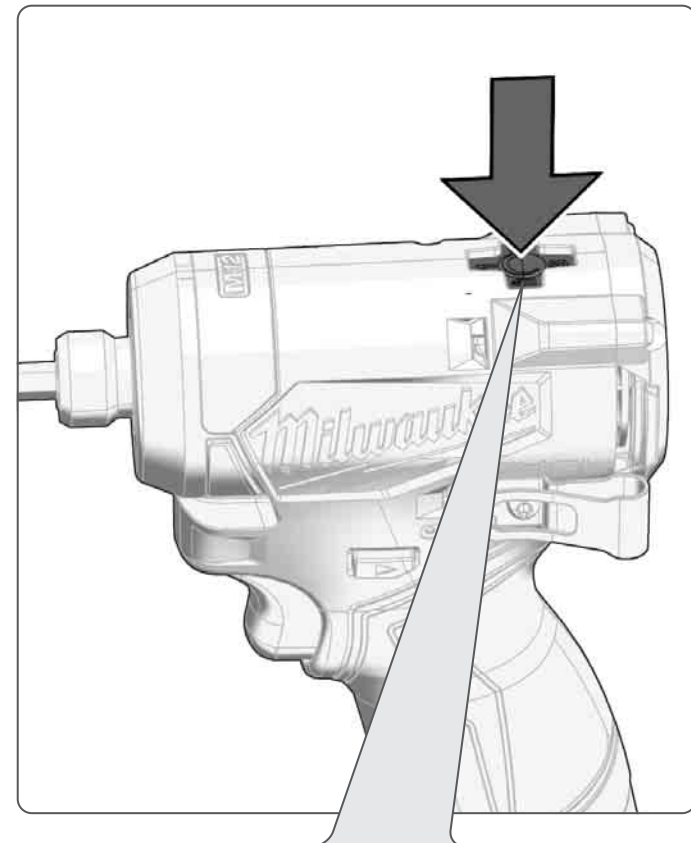
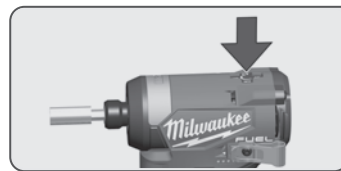
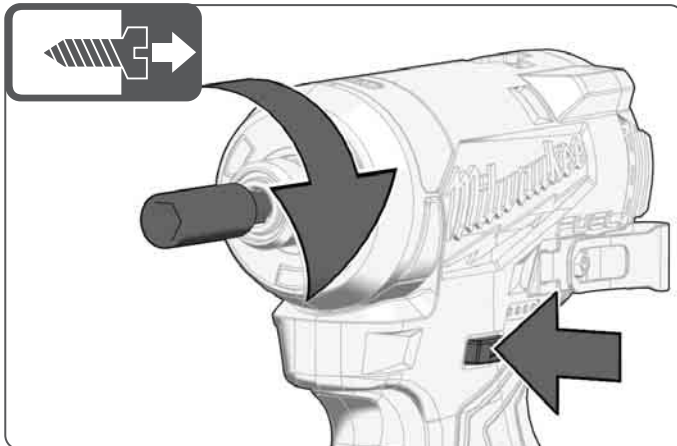
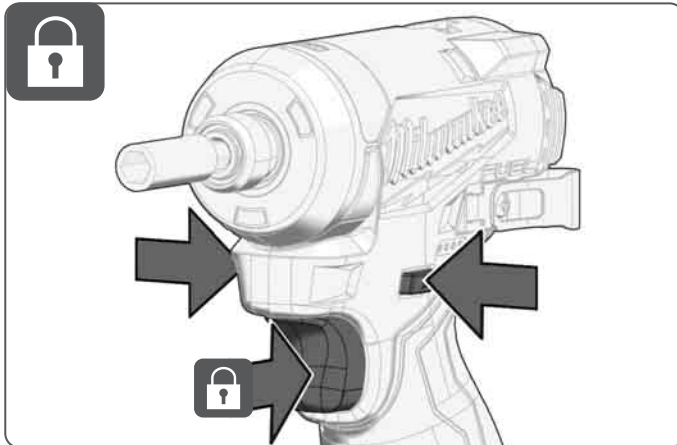
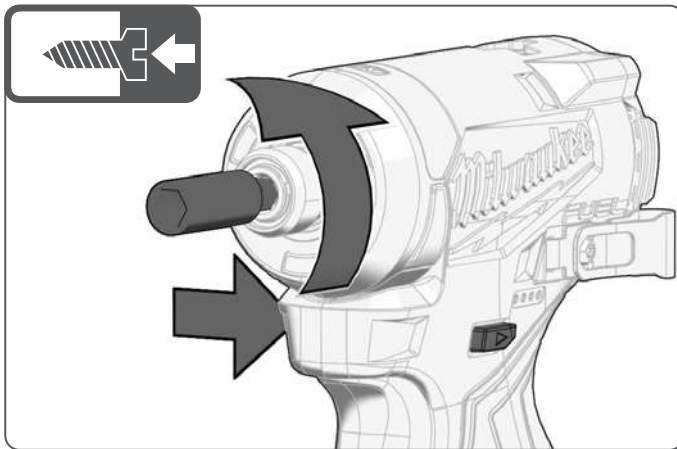
Изолирана повърхност за хващане

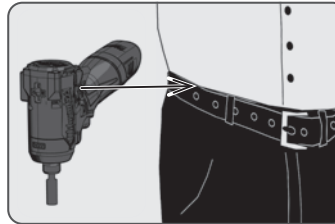
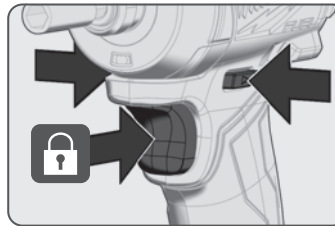
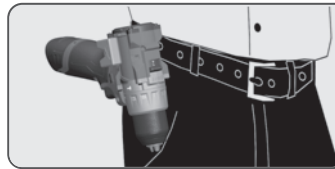
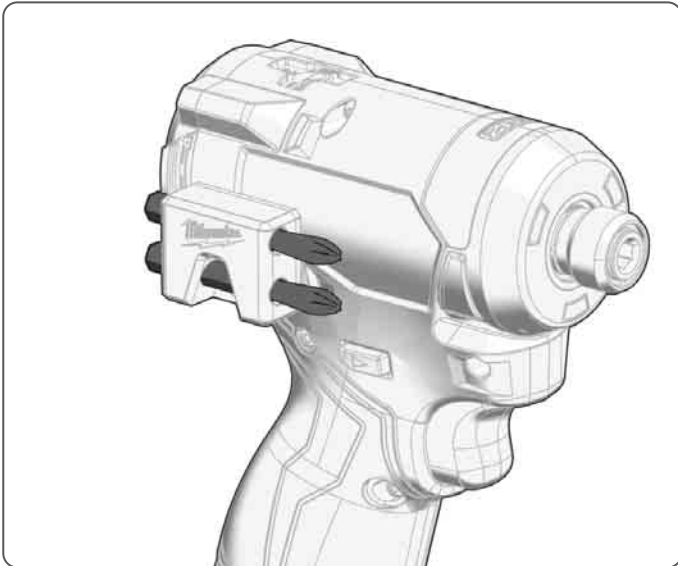
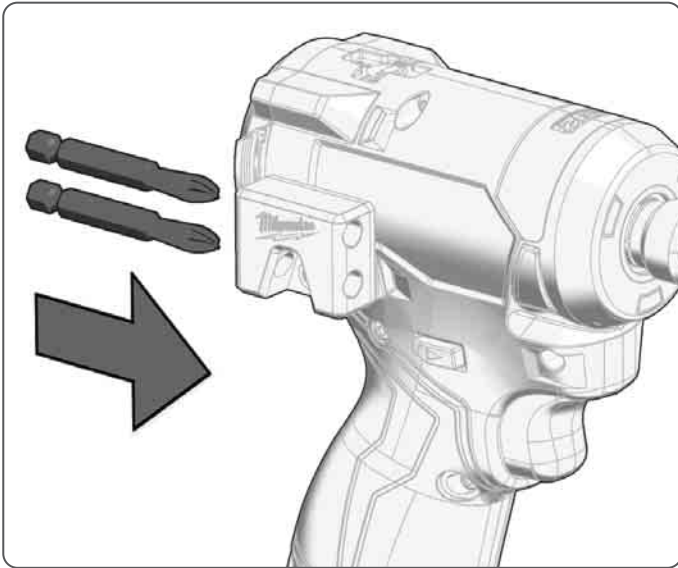
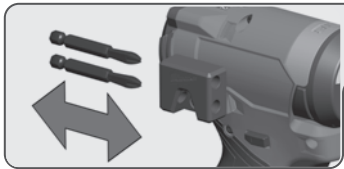
Suprafață de prindere izolată

Изолирана површина на дршката

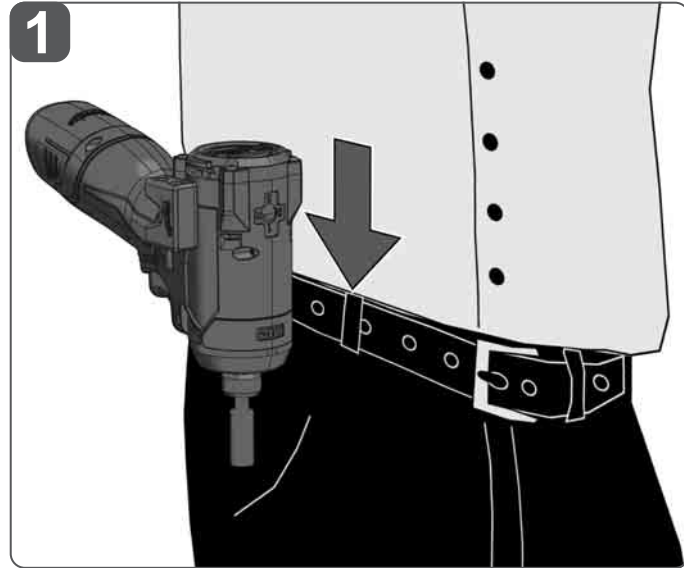
Изолювана поверхня ручки

مساحة المقبض معزولة

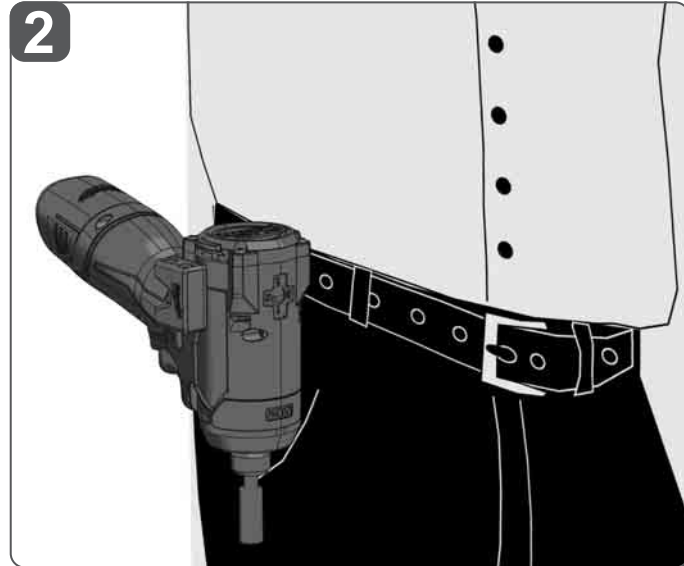




1

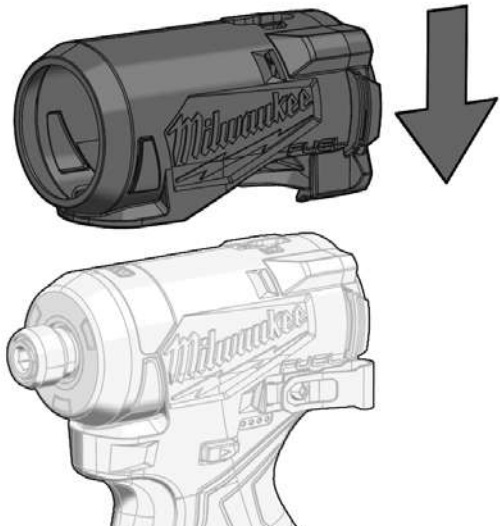


2





not included, available as accessory
nicht enthalten, als Zubehör erhältlich
non compris, disponible comme accessoire.
non compreso, disponibile come accessorio.
no incluido, disponible como accesorio
não incluído, vende-se como acessório
niet inbegrepen, als toebehoren verkrijgbaar
ikke indeholdt, kan fås som tilbehør
ikke inkludert, kan fås som tilbehør.
ingår inte, finns som tillbehör
ei kuulu toimitukseen, saatavana lisävarusteena
δεν είναι συνημμένο στην συσκευασία,
διαθέσιμο ως αξεσουάρ.
kapsama dahil değil, aksesuar olarak temin
edilebilir
není součástí, možno získat jako příslušenství
nie je súčasťou, možno získať ako príslušenstvo
[dostawa] nie obejmuje tego, lecz można to
otrzymać jako osprzęt.
nem tartalmazza, tartozékként kapható
ni vsebovano, dobavljivo kot pribor
nije u sadržaju, dobije se kao pribor
nav iekļauti, ir pieejami kā aksesuāri
nēra pakuotėje, gaunamas kaip priedas
ei sisaldu, saadaval tarvikuna
не входит в комплект, можно приобрести как
принадлежность
Не влиза в стандартната доставка, предлага
се като аксесоар.
nu face parte din livrare, se poate obține ca
accesoriu
не е содржано, може да се добие како
дополнителна опрема.
не входят до объема поставки, можна
замотивати зі списку комплектуючих
غير متضمن، ومتوفر بوصفه ملحقاتاً



TECHNICAL DATA	
Type	Cordless Impact Screwdriver
Production code	4812 94 01 XXXXXX MJJJJ
Battery voltage	12 V ---
No-load speed mode 1 / 2 / 3 /	0–1700 / 0–2900 / 0–3600 / 0–3600 min ⁻¹
Impact range max.	0–4000 min ⁻¹
Torque max.	170 Nm
Tool reception	1/4" (6mm) HEX
Max. diameter bolt / nut	M14
Weight according EPTA-Procedure 01/2014 (2.0...6.0Ah)	0,91...1,1 kg
Recommended ambient operating temperature	-18...+50 °C
Recommended battery types	M12B...
Recommended charger	M12-18C, M12-18AC, M12-18FC, C12C

Noise Information

Measured values determined according to EN 62841. Typically, the A-weighted noise levels of the tool are:

Sound pressure level / Uncertainty K	99,25 dB(A) / 3 dB(A)
Sound power level / Uncertainty K	110,25 dB(A) / 3 dB(A)

Wear ear protectors.

Vibration Information

Total vibration values (vector sum in the three axes) determined according to EN 62841.

Vibration emission value a _v / Uncertainty K	14,35 m/s ² / 1,5m/s ²
---	--

WARNING

The vibration and noise emission level given in this information sheet has been measured in accordance with a standardized test given in EN 62841 and may be used to compare one tool with another. It may be used for a preliminary assessment of exposure.

The declared vibration and noise emission level represents the main applications of the tool. However if the tool is used for different applications, with different accessories or poorly maintained, the vibration and noise emission may differ. This may significantly increase the exposure level over the total working period.

An estimation of the level of exposure to vibration and noise should also take into account the times when the tool is switched off or when it is running but not actually doing the job. This may significantly reduce the exposure level over the total working period.

Identify additional safety measures to protect the operator from the effects of vibration and/or noise such as: maintain the tool and the accessories, keep the hands warm, organization of work patterns.

WARNING Read all safety warnings, instructions, illustrations and specifications provided with this power tool. Failure to follow all instructions listed below may result in electric shock, fire and/or serious injury.
Save all warnings and instructions for future reference.

IMPACT DRIVER SAFETY WARNINGS

Wear ear protectors. Exposure to noise can cause hearing loss.

Hold the power tool by insulated gripping surfaces, when performing an operation where the fastener may contact hidden wiring. Fasteners contacting a "live" wire may make exposed metal parts of the power tool "live" and could give the operator an electric shock.

ADDITIONAL SAFETY AND WORKING INSTRUCTIONS

Use protective equipment. Always wear safety glasses when working with the machine. The use of protective clothing is recommended, such as dust mask, protective gloves, sturdy non-slip footwear, helmet and ear defenders.

The dust produced when using this tool may be harmful to health. Do not inhale the dust. Wear a suitable dust protection mask.

Do not machine any materials that present a danger to health (e.g. asbestos).

Switch the device off immediately if the insertion tool stalls! Do not switch the device on again while the insertion tool is stalled, as doing so could trigger a sudden recoil with a high reactive force. Determine why the insertion tool stalled and

rectify this, paying heed to the safety instructions.

The possible causes may be:

- it is tilted in the workpiece to be machined
- it has pierced through the material to be machined
- the power tool is overloaded

Do not reach into the machine while it is running.

The insertion tool may become hot during use.

WARNING! Danger of burns

- when changing tools
- when setting the device down

Chips and splinters must not be removed while the machine is running.

When working in walls ceiling, or floor, take care to avoid electric cables and gas or waterpipes.

Clamp your workpiece with a clamping device. Unclamped workpieces can cause severe injury and damage.

Remove the battery pack before starting any work on the machine.

Do not dispose of used battery packs in the household refuse or by burning them. Milwaukee Distributors offer to retrieve old batteries to protect our environment.

Do not store the battery pack together with metal objects (short circuit risk).

Use only System M12 chargers for charging System M12 battery packs. Do not use battery packs from other systems.

Never break open battery packs and chargers and store only in dry rooms. Keep dry at all times.

Battery acid may leak from damaged batteries under extreme load or extreme temperatures. In case of contact with battery acid wash it off immediately with soap and water. In case

of eye contact rinse thoroughly for at least 10 minutes and immediately seek medical attention.

Warning! To reduce the risk of fire, personal injury, and product damage due to a short circuit, never immerse your tool, battery pack or charger in fluid or allow a fluid to flow inside them. Corrosive or conductive fluids, such as seawater, certain industrial chemicals, and bleach or bleach containing products, etc., can cause a short circuit.

SPECIFIED CONDITIONS OF USE

The cordless impact wrench can be used to tighten and loosen nuts and bolts wherever no mains connection is available.

Do not use this product in any other way as stated for normal use.

RESIDUAL RISK

Even when the product is used as prescribed, it is still impossible to completely eliminate certain residual risk factors. The following hazards may arise in use and the operator should pay special attention to avoid the following:

- Injury caused by vibration.
Hold the product by designated handles and restrict working time and exposure.
- Exposure to noise can cause hearing injury.
Wear ear protection and limit exposure.
- Injury due to flying debris
Wear eye protection, heavy long trousers, gloves and substantial footwear at all times.
- Inhalation of toxic dusts.

OPERATION

Note: It is recommended after fastening to always check the torque with a torque wrench.

The fastening torque is affected by a wide variety of factors including the following.

- State of battery charge – When the battery is discharged voltage will drop and the fastening torque will be reduced.
- Operation at speeds – Operating the tool at low speeds will cause a reduction in fastening torques.
- Fastening position – Holding the tool or the driving fastener in various angles will affect the torque.
- Drive accessory/socket – Failure to use the correct size accessory or socket, or a non-impact rated accessory may cause a reduction in the fastening torque.
- Use of accessories and extensions – Depending on the accessory or extension fitment can reduce the fastening force of the impact wrench.
- Bolt/Nut – Fastening torques may differ according to the diameter of the nut or bolt, the class of nut/bolt and the length of nut/bolt.
- Condition of the fastener – Contaminated, corroded, dry or lubricated fasteners may vary the fastening torques.
- Condition and base material – The base material of the fastener and any component in between the surfaces may effect the fastening torque (dry or lubricated base, soft or hard base, disc, seal or washer between fastener and base material).

IMPACTING TECHNIQUES

The longer a bolt, screw, or nut is impacted, the tighter it will become.

To help prevent damaging the fasteners or workpieces, avoid excessive impacting.

Be particularly careful when impacting smaller fasteners because they require less impacting to reach optimum torque. Practice with various fasteners, noting the length of time required to reach the desired torque.

Check the tightness with a hand-torque wrench.

If the fasteners are too tight, reduce the impacting time.

If they are not tight enough, increase the impacting time.

Oil, dirt, rust or other matter on the threads or under the head of the fastener affects the degree of tightness.

The torque required to loosen a fastener averages 75% to 80% of the tightening torque, depending on the condition of the contacting surfaces.

On light gasket jobs, run each fastener down to a relatively light torque and use a hand torque wrench for final tightening.

DRIVE CONTROL



The drive control button is used to adjust the rotation speed (RPM) for the application.

In self tapping screw mode, the tool will drive at full RPM until the screw taps. Then, for better control, the RPM will slow as the screw seats to the workpiece.

NOTES FOR LI-ION BATTERIES

Use of Li-Ion batteries

Batteries which have not been used for some time should be recharged before use.

Temperatures in excess of 50°C (122°F) reduce the performance of the battery. Avoid extended exposure to heat or sunshine (risk of overheating).

The contacts of chargers and batteries must be kept clean.

For an optimum life-time, the batteries have to be fully charged, after used.

To obtain the longest possible battery life remove the battery from the charger once it is fully charged.

For battery storage longer than 30 days:

Store the battery where the temperature is below 27°C and away from moisture
Store the battery in a 30% - 50% charged condition
Every six months of storage, charge the battery as normal.

Battery protection for Li-Ion Akkus

In extremely high torque, binding, stalling and short circuit situations that cause high current draw, the tool will vibrate for about 5 seconds, the fuel gauge will flash, and then the tool will turn OFF. To reset, release the trigger.

Under extreme circumstances, the internal temperature of the battery pack could raise too much. If this happens, the fuel gauge will flash until the battery pack cooled down. After the lights go off, the work may continue.

Transport of Lithium Batteries

Lithium-ion batteries are subject to the Dangerous Goods Legislation requirements.

Transportation of those batteries has to be done in accordance with local, national and international provisions and regulations.

- The user can transport the batteries by road without further requirements.
- Commercial transport of Lithium-Ion batteries by third parties is subject to Dangerous Goods regulations. Transport

preparation and transport are exclusively to be carried out by appropriately trained persons and the process has to be accompanied by corresponding experts.

When transporting batteries:

- Ensure that battery contact terminals are protected and insulated to prevent short circuit.
- Ensure that battery pack is secured against movement within packaging.
- Do not transport batteries that are cracked or leak.

Check with forwarding company for further advice

CLEANING

The ventilation slots of the machine must be kept clear at all times.

MAINTENANCE

Use only Milwaukee accessories and Milwaukee spare parts. Should components need to be replaced which have not been described, please contact one of our Milwaukee service agents (see our list of guarantee/service addresses).

If needed, an exploded view of the tool can be ordered. Please state the machine type printed as well as the six-digit No. on the label and order the drawing at your local service agents or directly at: Techtronic Industries GmbH, Max-Eyth-Straße 10, 71364 Winnenden, Germany.

SYMBOLS



Please read the instructions carefully before starting the machine.



CAUTION! WARNING! DANGER!



Remove the battery pack before starting any work on the machine.



Do not dispose of waste batteries, waste electrical and electronic equipment as unsorted municipal waste. Waste batteries and waste electrical and electronic equipment must be collected separately.

Waste batteries, waste accumulators and light sources have to be removed from equipment. Check with your local authority or retailer for recycling advice and collection point. According to local regulations retailers may have an obligation to take back waste batteries and Waste electrical and electronic equipment free of charge.

Your contribution to re-use and recycling of waste batteries and waste electrical and electronic equipment helps to reduce the demand of raw materials.

Waste batteries, in particular containing lithium and waste Electrical and electronic equipment contain valuable, recyclable materials, which can adversely impact the environment and the human health, if not disposed of in an environmentally compatible manner. Delete personal data from waste equipment, if any.



Accessory - Not included in standard equipment, available as an accessory.

n_0

No-load speed

IPM

Impact range

V

Voltage



Direct Current



European Conformity Mark



British Conformity Mark



Ukraine Conformity Mark



EurAsian Conformity Mark

TECHNISCHE DATEN

	M12 FID2
Bauart	Akku-Schlagschrauber
Produktionsnummer	4812 94 01 XXXXXX MJJJJ
Spannung Wechselakku	12 V ---
Leerlaufdrehzahlbereiche 1 / 2 / 3 /	0–1700 / 0–2900 / 0–3600 / 0–3600 min ⁻¹
Max. Schlagzahl	0–4000 min ⁻¹
Max. Anzugsmoment	170 Nm
Werkzeugaufnahme	1/4" (6mm) HEX
Maximale Schraubengröße / Mutterngröße	M14
Gewicht nach EPTA-Prozedur 01/2014 (2,0...6,0 Ah)	0,91...1,1 kg
Empfohlene Umgebungstemperatur beim Arbeiten	-18...+50 °C
Empfohlene Akkutypen	M12B...
Empfohlene Ladegeräte	M12-18C, M12-18AC, M12-18FC, C12C

Geräuschinformation:

Messwerte ermittelt entsprechend EN 62841.

Der A-bewertete Geräuschpegel des Gerätes beträgt typischerweise:

Schalldruckpegel / Unsicherheit K

99,25 dB(A) / 3 dB(A)

Schalleistungspegel / Unsicherheit K

110,25 dB(A) / 3 dB(A)

Gehörschutz tragen!

Vibrationsinformationen:

Schwingungsgesamtwerte (Vektorsumme dreier Richtungen) ermittelt entsprechend EN 62841.

Schwingungsemissionswert a_h / Unsicherheit K

14,35 m/s² / 1,5m/s²

⚠️ WARNUNG!

Die angegebenen Schwingungsgesamtwerte und Geräuschemissionswerte wurden nach einem genormten Messverfahren gemäß EN 62841 gemessen und können für den Vergleich von Elektrowerkzeugen miteinander verwendet werden. Es kann für eine vorläufige Einschätzung der Belastung verwendet werden.

Der angegebene Schwingungs- und Geräuschemissionspegel repräsentiert die hauptsächlichsten Anwendungen des Elektrowerkzeugs. Wenn allerdings das Elektrowerkzeug für andere Anwendungen, mit abweichenden Einsatzwerkzeugen oder ungenügender Wartung eingesetzt wird, können sich die Schwingungs- und Geräuschemissionen unterscheiden. Dies kann deren Wirkung über den gesamten Arbeitszeitraum deutlich erhöhen.

Bei der Abschätzung der Belastung durch Schwingungen und Lärm sollten auch die Zeiten berücksichtigt werden, in denen das Elektrowerkzeug ausgeschaltet ist oder zwar läuft, aber keine tatsächliche Arbeit verrichtet wird. Dies kann deren Wirkung über den gesamten Arbeitszeitraum deutlich reduzieren.

Legen Sie zusätzliche Sicherheitsmaßnahmen zum Schutz des Bedieners vor den Auswirkungen von Schwingungen- und / oder Lärm fest, wie z. B.: Wartung des Werkzeugs und des Zubehörs, Warmhalten der Hände, Organisation der Arbeitsabläufe.

⚠️ WARNUNG! Lesen Sie alle Sicherheitshinweise, Anweisungen, Darstellungen und Spezifikationen für dieses Elektrowerkzeug. Versäumnisse bei der Einhaltung der nachstehenden Anweisungen können elektrischen Schlag, Brand und/oder schwere Verletzungen verursachen. **Bewahren Sie alle Sicherheitshinweise und Anweisungen für die Zukunft auf.**

SICHERHEITSHINWEISE FÜR SCHLAGSCHRAUBER

Tragen Sie Gehörschutz beim Schlagbohren. Die Einwirkung von Lärm kann Hörverlust bewirken.

Halten Sie das Elektrowerkzeug an den isolierten Griffflächen, wenn Sie Arbeiten ausführen, bei denen die Schraube verborgene Stromleitungen treffen kann. Der Kontakt der Schraube mit einer spannungsführenden Leitung kann metallene Geräteteile unter Spannung setzen und zu einem elektrischen Schlag führen.

WEITERE SICHERHEITS- UND ARBEITSHINWEISE

Schutzrüstung verwenden. Beim Arbeiten mit der Maschine stets Schutzbrille tragen. Schutzkleidung wie Staubschutzmaske, Schutzhandschuhe, festes und rutschsicheres Schuhwerk, Helm und Gehörschutz werden empfohlen.

Beim Arbeiten entstehender Staub ist oft

gesundheitsschädlich und sollte nicht in den Körper gelangen. Geeignete Staubschutzmaske tragen.

Es dürfen keine Materialien bearbeitet werden, von denen eine Gesundheitsgefährdung ausgeht (z.B. Asbest).

Beim Blockieren des Einsatzwerkzeuges bitte das Gerät sofort ausschalten! Schalten Sie das Gerät nicht wieder ein, solange das Einsatzwerkzeug blockiert ist; hierbei könnte ein Rückschlag mit hohem Reaktionsmoment entstehen. Ermitteln und beheben Sie die Ursache für die Blockierung des Einsatzwerkzeuges unter Berücksichtigung der Sicherheitshinweise.

Mögliche Ursachen dafür können sein:

- Verkanten im zu bearbeitenden Werkstück
- Durchbrechen des zu bearbeitenden Materials
- Überlasten des Elektrowerkzeuges

Greifen Sie nicht in die laufende Maschine.

Das Einsatzwerkzeug kann während der Anwendung heiß werden.

WARNUNG! Verbrennungsgefahr

- bei Werkzeugwechsel
- bei Ablegen des Gerätes

Späne oder Splitter dürfen bei laufender Maschine nicht entfernt werden.

Beim Arbeiten in Wand, Decke oder Fußboden auf elektrische Kabel, Gas- und Wasserleitungen achten.

Sichern Sie Ihr Werkstück mit einer Spannvorrichtung. Nicht gesicherte Werkstücke können schwere Verletzungen und

Beschädigungen verursachen.

Vor allen Arbeiten an der Maschine den Wechselakku herausnehmen

Verbrauchte Wechselakkus nicht ins Feuer oder in den Hausmüll werfen. Milwaukee bietet eine umweltgerechte Alt-Wechselakku-Entsorgung an; bitte fragen Sie Ihren Fachhändler.

Wechselakku nicht zusammen mit Metallgegenständen aufbewahren (Kurzschlussgefahr).

Wechselakku des Systems M12 nur mit Ladegeräten des Systems M12 laden. Keine Akkus aus anderen Systemen laden.

Wechselakku und Ladegeräte nicht öffnen und nur in trockenen Räumen lagern. Vor Nässe schützen.

Unter extremer Belastung oder extremer Temperatur kann aus beschädigten Wechselakkus Batterieflüssigkeit auslaufen. Bei Berührung mit Batterieflüssigkeit sofort mit Wasser und Seife abwaschen. Bei Augenkontakt sofort mindestens 10 Minuten gründlich spülen und unverzüglich einen Arzt aufsuchen.

Warnung! Um die durch einen Kurzschluss verursachte Gefahr eines Brandes, von Verletzungen oder Produktbeschädigungen zu vermeiden, tauchen Sie das Werkzeug, den Wechselakku oder das Ladegerät nicht in Flüssigkeiten ein und sorgen Sie dafür, dass keine Flüssigkeiten in die Geräte und Akkus eindringen. Korrodierende oder leitfähige Flüssigkeiten, wie Salzwasser, bestimmte Chemikalien und Bleichmittel oder Produkte, die Bleichmittel enthalten, können einen Kurzschluss verursachen.

BESTIMMUNGSGEMÄSSE VERWENDUNG

Der Akku-Schlagschrauber ist universell einsetzbar zum Befestigen und Lösen von Schrauben und Muttern unabhängig von einem Netzanschluss.

Dieses Gerät darf nur wie angegeben bestimmungsgemäß verwendet werden.

RESTRISIKEN

Auch bei ordnungsgemäßer Verwendung können nicht alle Restrisiken ausgeschlossen werden. Beim Gebrauch können folgende Gefahren entstehen, auf die der Bediener besonders achten sollte:

- Durch Vibration verursachte Verletzungen. Halten Sie das Gerät an den dafür vorgesehenen Griffen und begrenzen Sie die Arbeits- und Expositionszeit.
- Lärmbelastung kann zu Gehörschädigungen führen. Tragen Sie einen Gehörschutz und schränken Sie die Expositionszeit ein.
- Durch Schmutzpartikel verursachte Augenverletzungen. Tragen Sie immer eine Schutzbrille, feste lange Hosen, Handschuhe und festes Schuhwerk.
- Einatmen von giftigen Stäuben.

BEDIENUNG

Hinweis: Es wird empfohlen, nach der Befestigung das Anzugsdrehmoment immer mit einem Drehmomentschlüssel zu prüfen.

Das Anzugsdrehmoment wird durch eine Vielzahl von Faktoren beeinflusst, einschließlich der folgenden.

- Ladezustand der Batterie - Wenn die Batterie entladen ist, fällt die Spannung ab und das Anzugsdrehmoment verringert sich.
- Drehzahlen - Die Verwendung des Werkzeugs bei niedriger Geschwindigkeit führt zu einem geringeren Anzugsdrehmoment.
- Befestigungsposition - Die Art und Weise, wie Sie das Werkzeug oder Befestigungselement halten, beeinflusst

das Anzugsdrehmoment.

- Dreh-/Steckeinsatz - Die Verwendung eines Dreh- oder Steckeinsatzes mit falscher Größe oder die Verwendung von nicht schlagfestem Zubehör reduziert das Anzugsdrehmoment.
- Verwendung von Zubehör und Verlängerungen - Je nach Zubehör oder Verlängerung kann das Anzugsdrehmoment des Schlagschraubers reduziert werden.
- Schraube/Mutter - Das Anzugsdrehmoment kann je nach Durchmesser, Länge und Festigkeitsklasse der Schraube/Mutter variieren.
- Zustand der Befestigungselemente - Verunreinigte, korrodierte, trockene oder geschmierte Befestigungselemente können das Anzugsdrehmoment beeinflussen.
- Die zu verschraubenden Teile - Die Festigkeit der zu verschraubenden Teile und jedes Bauteil dazwischen (trocken oder geschmiert, weich oder hart, Scheibe, Dichtung oder Unterlegscheibe) kann das Anzugsdrehmoment beeinflussen.

EINSCHRAUBTECHNIKEN

Je länger ein Bolzen, eine Schraube oder eine Mutter mit dem Schlagschrauber belastet wird, desto fester wird sie angezogen.

Um Beschädigungen der Befestigungsmittel oder Werkstücke zu vermeiden, vermeiden Sie übermäßige Schlagdauer.

Seien Sie besonders vorsichtig, wenn Sie auf kleinere Befestigungsmittel einwirken, da sie weniger Schläge benötigen, um ein optimales Anzugsdrehmoment zu erreichen.

Üben Sie mit verschiedenen Befestigungselementen und merken Sie sich die Zeit, die Sie benötigen, um das gewünschte Anzugsdrehmoment zu erreichen.

Überprüfen Sie das Anzugsdrehmoment mit einem Hand-Drehmomentschlüssel.

Wenn das Anzugsdrehmoment zu hoch ist, reduzieren Sie die Schlagzeit.

Wenn das Anzugsdrehmoment nicht ausreichend ist, erhöhen Sie die Schlagzeit.

Öl, Schmutz, Rost oder andere Verunreinigungen an den Gewinden oder unter dem Kopf des Befestigungsmittels beeinflussen die Höhe des Anzugsdrehmoment.


Das zum Lösen eines Befestigungsmittels erforderliche Drehmoment beträgt durchschnittlich 75% bis 80% des Anzugsdrehmoments, abhängig vom Zustand der Kontaktflächen.

Führen Sie leichte Einschraubarbeiten mit einem relativ geringen Anzugsdrehmoment aus und verwenden Sie zum endgültigen Festziehen einen Hand-Drehmomentschlüssel.

ANTRIEBSSTEUERUNG



Die Taste für die Antriebssteuerung dient zur anwendungsabhängigen Einstellung der Drehzahl (min^{-1}).

Im Blechschaubenmodus  läuft das Gerät mit maximaler Drehzahl, bis die Schraube eingedreht ist. Danach wird die Drehzahl zur besseren Kontrolle verringert, bis die Schraube ganz im Werkstück versenkt ist.

HINWEISE FÜR LI-ION-AKKUS

Gebrauch von Li-Ion-Akkus

Längere Zeit nicht benutzte Akkus vor Gebrauch nachladen.

Eine Temperatur über 50°C vermindert die Leistung des Akkus. Längere Erwärmung durch Sonne oder Heizung vermeiden.

Die Anschlusskontakte an Ladegerät und Akku sauber halten.

Für eine optimale Lebensdauer müssen nach dem Gebrauch die Akkus voll geladen werden.

Für eine möglichst lange Lebensdauer sollten die Akkus nach dem Aufladen aus dem Ladegerät entfernt werden.

Bei Lagerung des Akkus länger als 30 Tage:

Akku bei ca. 27°C und trocken lagern.

Akku bei ca. $30\% - 50\%$ des Ladezustandes lagern.

Akku alle 6 Monate erneut aufladen.

Akkuüberlastschutz bei Li-Ion-Akkus

Bei Überlastung des Akkus durch sehr hohen Stromverbrauch, z.B. extrem hohe Drehmomente, plötzlichem Stopp oder Kurzschluss, vibriert das Elektrowerkzeug 5 Sekunden lang, die Ladeanzeige blinkt und das Elektrowerkzeug schaltet sich selbsttätig ab. Zum Wiedereinschalten, den Schalterdrücker loslassen und dann wieder einschalten.

Unter extremen Belastungen erhitzt sich der Akku zu stark. In diesem Fall blinken alle Lampen der Ladeanzeige bis der Akku abgekühlt ist. Nach Erlöschen der Ladeanzeige kann weitergearbeitet werden.

Transport von Li-Ion-Akkus

Lithium-Ionen-Akkus fallen unter die gesetzlichen Bestimmungen zum Gefahrguttransport.

Der Transport dieser Akkus muss unter Einhaltung der lokalen, nationalen und internationalen Vorschriften und Bestimmungen erfolgen.

- Verbraucher dürfen diese Akkus ohne Weiteres auf der Straße transportieren.
- Der kommerzielle Transport von Lithium-Ionen-Akkus durch Speditionsunternehmen unterliegt den Bestimmungen des Gefahrguttransports. Die Versandvorbereitungen und der Transport dürfen ausschließlich von entsprechend geschulten Personen durchgeführt werden. Der gesamte Prozess muss fachmännisch begleitet werden.

Folgende Punkte sind beim Transport von Akkus zu beachten:

- Stellen Sie sicher, dass die Kontakte geschützt und isoliert sind, um Kurzschlüsse zu vermeiden.
- Achten Sie darauf, dass der Akkupack innerhalb der Verpackung nicht verrutschen kann.
- Beschädigte oder auslaufende Akkus dürfen nicht transportiert werden.

Wenden Sie sich für weitere Hinweise an Ihr Speditionsunternehmen.

REINIGUNG

Stets die Lüftungsschlitze der Maschine sauber halten.

WARTUNG

Nur Milwaukee Zubehör und Milwaukee Ersatzteile verwenden. Bauteile, deren Austausch nicht beschrieben wurde, bei einer Milwaukee Kundendienststelle auswechseln lassen (Broschüre Garantie/Kundendienstadressen beachten).

Bei Bedarf kann eine Explosionszeichnung des Gerätes unter Angabe der Maschinen Type und der sechsstelligen Nummer auf dem Leistungsschild bei Ihrer Kundendienststelle oder direkt bei Techtronic Industries GmbH, Max-Eyth-Straße 10, 71364 Winnenden, Germany angefordert werden.

SYMBOLS



Bitte lesen Sie die Gebrauchsanweisung vor Inbetriebnahme sorgfältig durch.



ACHTUNG! WARNUNG! GEFAHR!



Vor allen Arbeiten an der Maschine den Wechselakku herausnehmen



Altbatterien, Elektro- und Elektronik-Altgeräte dürfen nicht zusammen mit dem Hausmüll entsorgt werden. Altbatterien, Elektro- und Elektronik-Altgeräte sind getrennt zu sammeln und zu entsorgen.

Entfernen Sie Altbatterien, Altkumulatoren und Leuchtmittel vor dem Entsorgen aus den Geräten. Erkundigen Sie sich bei den örtlichen Behörden oder bei Ihrem Fachhändler nach Recyclinghöfen und Sammelstellen. Je nach den örtlichen Bestimmungen können Einzelhändler verpflichtet sein, Altbatterien, Elektro- und Elektronik-Altgeräte kostenlos zurückzunehmen.

Tragen Sie durch Wiederverwendung und Recycling Ihrer Altbatterien, Elektro- und Elektronik-Altgeräte dazu bei, den Bedarf an Rohmaterialien zu verringern. Altbatterien (vor allem Lithium-Ionen-Batterien), Elektro- und Elektronik-Altgeräte enthalten wertvolle, wiederverwertbare Materialien, die bei nicht umweltgerechter Entsorgung negative Auswirkungen auf die Umwelt und Ihre Gesundheit haben können. Löschen Sie vor der Entsorgung möglicherweise auf Ihrem Altgerät vorhandene personenbezogene Daten.



Zubehör - Im Lieferumfang nicht enthalten, empfohlene Ergänzung aus dem Zubehörprogramm.

n_0

Leerlaufdrehzahl

IPM

Schlagzahl

V

Spannung

≡

Gleichstrom

CE

Europäisches Konformitätszeichen

UK

Britisches Konformitätszeichen

CA

Ukrainisches Konformitätszeichen

001

Euroasiatisches Konformitätszeichen

EAC

CARACTÉRISTIQUES TECHNIQUES	M12 FID2
Type	Visseuse à Choc sans fil
Numéro de série	4812 94 01 XXXXXX MJJJJ
Tension accu interchangeable	12 V ---
Range de vitesse à vide 1 / 2 / 3 /	0–1700 / 0–2900 / 0–3600 / 0–3600 min ⁻¹
N° max. de percussions	0–4000 min ⁻¹
Couple de serrage max.	170 Nm
Système de fixation	1/4" (6mm) HEX
Dimension maximale de vis/d'écrou	M14
Poids suivant EPTA-Procédure 01/2014 (2,0...6,0 Ah)	0,91...1,1 kg
Température conseillée lors du travail	-18...+50 °C
Batteries conseillées	M12B...
Chargeurs de batteries conseillés	M12-18C, M12-18AC, M12-18FC, C12C
Informations sur le bruit: Valeurs de mesure obtenues conformément à la EN 62841.	
Les mesures réelles (des niveaux acoustiques de l'appareil sont :	
Niveau de pression acoustique / Incertitude K	99,25 dB(A) / 3 dB(A)
Niveau d'intensité acoustique / Incertitude K	110,25 dB(A) / 3 dB(A)
Toujours porter une protection acoustique!	
Informations sur les vibrations:	
Valeurs totales des vibrations (somme vectorielle de trois sens) établies conformément à EN 62841.	
Valeur d'émission vibratoire a _v / Incertitude K	14,35 m/s ² / 1,5m/s ²

AVERTISSEMENT!

Le niveau de vibration et d'émissions sonores indiqué dans cette fiche de données a été mesuré en respect d'une méthode standard de test selon la norme EN 62841 et peut être utilisé pour comparer les outils entre eux. Il peut être utilisé pour évaluation préliminaire de l'exposition.

Le niveau de vibration et d'émissions sonores déclaré correspond à l'application principale de l'outil. Cependant, si l'outil est utilisé pour des applications différentes, avec différents accessoires ou est mal entretenu, les vibrations et les émissions sonores peuvent différer. Cela peut augmenter considérablement le niveau d'exposition au cours de la période de travail totale.

Une estimation du niveau d'exposition aux vibrations et au bruit devrait également tenir compte des temps d'arrêt de l'outil ou des périodes où il est en marche mais n'effectue pas réellement le travail. Cela peut réduire considérablement le niveau d'exposition au cours de la période de travail totale.

Identifier des mesures de sécurité supplémentaires pour protéger l'opérateur des effets des vibrations et/ou du bruit tels que : l'entretien de l'outil et des accessoires, le maintien au chaud des mains, l'organisation des processus de travail.

AVERTISSEMENT! Lire tous les avertissements de sécurité, les instructions opérationnelles, les illustrations et les spécifications fournies avec cet outil électrique. La non observance des instructions mentionnées ci-dessous peut causer des chocs électriques, des incendies ou de graves blessures.

Bien garder tous les avertissements et instructions.

INSTRUCTIONS DE SÉCURITÉ POUR VISSEUSE À CHOC

Porter un casque de protection au cours du perçage à percussion. L'exposition au bruit pourrait provoquer une diminution de l'ouïe.

Tenir l'appareil aux surfaces isolées faisant office de poignée pendant les travaux au cours desquels la vis peut toucher des lignes électriques dissimulées. Le contact de la vis avec un câble qui conduit la tension peut mettre des parties d'appareil en métal sous tension et mener à une décharge électrique.

AVIS COMPLÉMENTAIRES DE SÉCURITÉ ET DE TRAVAIL

Utiliser l'équipement de protection. Toujours porter des lunettes de protection pendant le travail avec la machine. Il est recommandé de porter des articles de protection, tels que masque antipoussière, gants de protection, chaussures tenant bien aux pieds et antidérapantes, casque et protection acoustique.

Les poussières qui sont dégagées pendant les travaux sont souvent nocives pour la santé et ne devraient pas pénétrer

dans le corps. Porter un masque de protection approprié contre les poussières.

Il est interdit de travailler des matériaux dangereux pour la santé (par ex. amiante).

Désactiver immédiatement le dispositif en cas de blocage ! Ne pas réactiver le dispositif avec l'outil bloqué; il y a le risque de provoquer un contrecoup avec moment de réaction élevé. Établir et éliminer la cause du blocage de l'outil en prêtant attention aux consignes de sécurité.

Les causes possibles sont :

- Encastrement dans la pièce à travailler.
- Le dispositif a traversé le matériau à travailler en le cassant.
- Le dispositif électrique a été surchargé.

Ne pas approcher les mains de la partie en mouvement de la machine.

Durant l'utilisation, l'outil peut se surchauffer.

- AVERTISSEMENT!** Danger de brûlures
- durant le remplacement de l'outil
 - durant la dépose de l'outil

Ne jamais enlever les copeaux ni les éclats lorsque la machine est en marche.

Lors du perçage dans les murs, les plafonds ou les planchers, toujours faire attention aux câbles électriques et aux conduites de gaz et d'eau.

Fixer fermement la pièce en exécution à l'aide d'un dispositif de serrage. Des pièces en exécution non fermement fixées peuvent provoquer des dommages et des lésions graves.

Avant tous travaux sur la machine retirer l'accu interchangeable.

Ne pas jeter les accus interchangeables usés au feu ou avec les déchets ménagers. Milwaukee offre un système d'évacuation écologique des accus usés.

Ne pas conserver les accus interchangeables avec des objets métalliques (risque de court-circuit)

Ne charger les accus interchangeables du système M12 qu'avec le chargeur d'accus du système M12. Ne pas charger des accus d'autres systèmes.

Ne pas ouvrir les accus interchangeables et les chargeurs et ne les stocker que dans des locaux secs. Les protéger contre l'humidité.

En cas de conditions ou températures extrêmes, du liquide caustique peut s'échapper d'un accu interchangeable endommagé. En cas de contact avec le liquide caustique de la batterie, laver immédiatement avec de l'eau et du savon. En cas de contact avec les yeux, rincer soigneusement avec de l'eau et consulter immédiatement un médecin.

AVERTISSEMENT! Pour réduire le risque d'incendie, de blessures corporelles et de dommages causés par un court-circuit, ne jamais immerger l'outil, le bloc-piles ou le chargeur dans un liquide ou laisser couler un fluide à l'intérieur de celui-ci. Les fluides corrosifs ou conducteurs, tels que l'eau de mer, certains produits chimiques industriels, les produits de blanchiment ou de blanchiment, etc., peuvent provoquer un court-circuit.

UTILISATION CONFORME AUX PRESCRIPTIONS

La visseuse à percussion à accu peut être utilisée de manière universelle pour visser et dévisser des vis et des écrous, indépendamment d'une prise de réseau.

Comme déjà indiqué, cette machine n'est conçue que pour être utilisée conformément aux prescriptions.

RISQUES RÉSIDUELS

Même en cas d'utilisation correcte, il n'est pas possible d'exclure tous les risques résiduels. Lors de l'utilisation, les risques suivants pourront être présents et l'utilisateur devra prêter une attention particulière en vue de les éviter :

- Blessures causées par les vibrations. Tenir le dispositif à l'aide de ses poignées et limiter les temps de travail et d'exposition.
- L'exposition au bruit peut causer des dommages auditifs. Porter une protection auditive et limiter la durée de l'exposition.
- Lésions oculaires causées par des particules de déchets. Toujours porter des lunettes de sécurité, de pantalon long lourd, des gants et des chaussures robustes.
- Inhalation de gaz toxiques.

FONCTIONNEMENT

Remarque : il est recommandé de toujours vérifier le couple de serrage au moyen d'une clé dynamométrique après la fixation.

Le couple de serrage est influencé par un certain nombre de facteurs, dont les suivants :

- État de la batterie - Lorsque la batterie est déchargée, la tension chute et le couple de serrage est réduit.
- Vitesse de rotation - L'utilisation de l'outil à vitesse réduite entraîne une réduction du couple de serrage.
- Position lors de la fixation - La façon dont vous tenez l'outil ou l'élément de fixation affecte le couple de serrage.
- Insert rotatif/enfichable - L'utilisation d'un insert rotatif/enfichable d'une taille incorrecte ou d'accessoires ne résistant pas aux chocs réduit le couple de serrage.
- Utilisation d'accessoires et de rallonges - En fonction des accessoires ou des rallonges utilisés, le couple de serrage de la visseuse à percussions peut être réduit.
- Vis/écrou - Le couple de serrage peut varier selon le diamètre, la longueur et la classe de résistance de la vis/

de l'écrou.

- État des éléments de fixation - Des éléments de fixation encrassés, corrodés, secs ou lubrifiés peuvent influencer le couple de serrage.
- Les pièces à visser - La solidité des pièces à visser et tout composant se trouvant entre celles-ci (sec ou lubrifié, souple ou dur, plaquette, joint ou rondelle) peut influencer le couple de serrage.

TECHNIQUES DE SERRAGE

Le couple de serrage du boulon, de la vis ou de l'écrou est proportionnel à la durée de la percussion.

Pour éviter d'endommager les fixations ou le matériau, limitez la durée de la percussion.

Afin d'obtenir un couple de serrage optimal, soyez particulièrement prudent lorsque vous serrez des fixations de petit calibre qui requièrent moins de percussion.

Pratiquez le serrage à percussion avec divers types de fixations afin d'apprendre quelle est la durée de percussion nécessaire pour obtenir le couple désiré.

Vérifiez le serrage à l'aide d'une clé dynamométrique manuelle.

Si la fixation est trop serrée, réduisez la durée de percussion.

Si la fixation n'est pas serrée à fond, augmentez la durée de percussion.

L'huile, la poussière ou d'autres saletés sur le filetage ou sous la tête de la fixation peuvent affecter le couple de serrage.

Le couple nécessaire pour desserrer une fixation est, en moyenne, 75 % à 80 % du couple nécessaire pour la serrer, selon l'état des surfaces en contact.

Effectuez les simples tâches de vissage en exerçant un couple de serrage relativement faible et terminez le serrage à la main à l'aide de la clé dynamométrique.

CONTRÔLE VITESSE

La touche de contrôle de la vitesse permet de prédéfinir le nombre de tours sur la base de l'application (min⁻¹).

Dans le mode vis autotaraudeuses l'outil tournera avec le nombre max. de tours jusqu'à l'insertion de la vis. Par la suite, pour améliorer le contrôle, la vitesse sera réduite jusqu'au moment où la vis sera complètement abaissée dans le matériau.

REMARQUE CONCERNANT LES ACCUS LI-ION

Utilisation d'accus Li-Ion

Recharger les accus avant utilisation après une longue période de non utilisation.

Une température supérieure à 50°C amoindrit la capacité des accus. Éviter les expositions prolongées au soleil ou au chauffage.

Maintenez les contacts de raccord dans un parfait état de propreté sur le chargeur et l'accu.

Pour une durée de vie optimale, les accus doivent être chargés à fond après l'utilisation.

Pour une plus longue durée de vie, enlevez les accus du chargeur quand celles-ci sont chargées.

En cas d'entreposage de la batterie pour plus de 30 jours: Entreposer la batterie à 27°C environ dans un endroit sec. Entreposer la batterie avec une charge d'environ 30% - 50%. Recharger la batterie tous les 6 mois.

Protection des accus Li-Ion

En cas d'une surcharge de l'accu à cause d'une très haute consommation de courant, par exemple suite à des couples

extrêmement élevés, un arrêt soudain ou un court-circuit, l'outil électrique vibre pendant 5 secondes, l'indicateur de charge clignote et l'outil électrique se déconnecte automatiquement.
 Pour le ré-enclencher, relâcher le poussoir de l'interrupteur, puis enclencher à nouveau l'appareil.
 Sous des sollicitations extrêmes, l'accu s'échauffe trop fortement. Dans ce cas, tous les témoins de l'indicateur de charge clignotent jusqu'à ce que l'accu se soit refroidi. Il est possible de continuer à travailler dès que l'indicateur de charge s'est éteint.

Transport des accu Li-ion

Les batteries lithium-ion sont soumises aux dispositions législatives concernant le transport de produits dangereux. Le transport de ces batteries devra s'effectuer dans le respect des dispositions et des normes locales, nationales et internationales.

- Les utilisateurs peuvent transporter ces batteries sans restrictions.
- Le transport commercial de batteries lithium-ion est réglé par les dispositions concernant le transport de produits dangereux. La préparation au transport et le transport devront être effectués uniquement par du personnel formé de façon adéquate. Tout le procédé devra être géré d'une manière professionnelle.

Durant le transport de batteries il faut respecter les consignes suivantes :

- S'assurer que les contacts soient protégés et isolés en vue d'éviter des courts-circuits.
- S'assurer que le groupe de batteries ne puisse pas se déplacer à l'intérieur de son emballage.
- Des batteries endommagées ou des batteries perdant du liquide ne devront pas être transportées.

Pour tout renseignement complémentaire veuillez vous adresser à votre transporteur professionnel.

NETTOYAGE

Tenir toujours propres les orifices de ventilation de la machine.

ENTRETIEN

Utiliser uniquement les accessoires Milwaukee et les pièces détachées Milwaukee. Faire remplacer les composants dont le remplacement n'a pas été décrit, par un des centres de service après-vente Milwaukee (observer la brochure avec les adresses de garantie et de service après-vente).

En cas de besoin il est possible de demander un dessin éclaté du dispositif en indiquant le modèle de la machine et le numéro de six chiffres imprimé sur la plaquette de puissance et en s'adressant au centre d'assistance technique ou directement à Techtronic Industries GmbH, Max-Eyth-Straße 10, 71364 Winnenden, Germany.

SYMBOLES



Veillez lire avec soin le mode d'emploi avant la mise en service



ATTENTION! AVERTISSEMENT! DANGER!



Avant tous travaux sur la machine retirer l'accu interchangeable.



Les déchets de piles et les déchets d'équipements électriques et électroniques (déchets d'équipements électriques et électroniques) ne sont pas à éliminer dans les déchets ménagers. Les déchets de piles et les déchets d'équipements électriques et électroniques doivent être collectés et éliminer séparément.

Retirez les déchets de piles, les déchets d'accumulateurs et les ampoules des appareils avant de les jeter. S'adresser aux autorités locales ou au détaillant spécialisé en vue de connaître l'emplacement des centres de recyclage et des points de collecte.

Selon les réglementations locales, les détaillants peuvent être tenus de reprendre gratuitement les déchets de piles et les déchets d'équipements électriques et électroniques.

Contribuez à réduire la demande de matières premières en réutilisant et en recyclant vos déchets de piles et d'équipements électriques et électroniques.

Les déchets de piles (surtout les piles au lithium-ion) et les déchets d'équipements électriques et électroniques comportent des matériaux précieux et recyclables qui peuvent avoir des impacts négatifs sur l'environnement et sur votre santé s'ils ne sont pas éliminés de manière écologique.

Avant de mettre au rebut votre ancien appareil, supprimez les données personnelles qui pourraient s'y trouver.



Accessoires - Ces pièces ne font pas partie de la livraison. Il s'agit là de compléments recommandés pour votre machine et énumérés dans le catalogue des accessoires.



Nombre de tours à vide



Cadence de percussion



Voltage

Courant continu



Marque de conformité européenne



Marque de conformité britannique



Marque de conformité ukrainienne

Marque de conformité d'Eurasie

DATI TECNICI

	M12 FID2
Tipo di costruzione	Avvitatore a impulsi a batteria
Numero di serie	4812 94 01 XXXXXX MJJJ
Tensione batteria	12 V ---
Range di velocità a vuoto 1 / 2 / 3 /	0-1700 / 0-2900 / 0-3600 / 0-3600 min ⁻¹
N° max. di percussioni	0-4000 min ⁻¹
Coppia di serraggio max.	170 Nm
Attacco utensili	1/4" (6mm) HEX
Massima dimensione viti / dadi	M14
Peso secondo la procedura EPTA 01/2014 (2,0...6,0 Ah)	0,91... 1,1 kg
Temperatura consigliata durante il lavoro	-18...+50 °C
Batterie consigliate	M12B...
Caricatori consigliati	M12-18C, M12-18AC, M12-18FC, C12C

Informazioni sulla rumorosità: Valori misurati conformemente alla norma EN 62841.

La misurazione A del livello di pressione acustica dell'utensile è di solito di:

Livello di rumorosità / Incertezza della misura K 99,25 dB(A) / 3 dB(A)

Potenza della rumorosità / Incertezza della misura K 110,25 dB(A) / 3 dB(A)

Utilizzare le protezioni per l'udito!

Informazioni sulle vibrazioni:

Valori totali delle oscillazioni (somma di vettori in tre direzioni) misurati conformemente alla norma EN 62841.

Valore di emissione dell'oscillazione a_w / Incertezza della misura K 14,35 m/s² / 1,5m/s²

AVVERTENZA!

Il/i valore/i di emissione acustica riportato/i in questa scheda informativa sono stati misurati conformemente a un metodo di prova standard sulla base della norma EN 62841 e possono essere utilizzati per confrontare gli utensili tra loro. Può/possono essere utilizzato/i anche per una valutazione preliminare dell'esposizione.

Il livello di vibrazione ed emissione acustica dichiarato rappresenta le applicazioni principali dell'utensile. Tuttavia, se l'utensile è utilizzato per applicazioni diverse, con accessori differenti o una manutenzione non adeguata, la vibrazione e l'emissione acustica potrebbero variare. Ciò può aumentare significativamente il livello di esposizione durante l'intera durata del lavoro.

Una stima del livello di esposizione alle vibrazioni e al rumore dovrebbe tenere conto anche dei periodi in cui l'utensile è spento o è in funzione ma non sta lavorando. Ciò può ridurre significativamente il livello di esposizione durante l'intera durata del lavoro.

Identificare le misure di sicurezza supplementari per proteggere l'operatore dagli effetti delle vibrazioni e/o del rumore, ad esempio eseguendo la manutenzione dell'utensile e degli accessori, mantenendo le mani calde e organizzando gli schemi di lavoro.

AVVERTENZA! Leggere tutte le avvertenze di sicurezza, istruzioni operative, illustrazioni e specifiche fornite con questo elettro utensile. Il mancato rispetto delle istruzioni di seguito riportate può causare scosse elettriche, incendi e/o lesioni gravi.
Conservare tutte le avvertenze di pericolo e le istruzioni operative per ogni esigenza futura.

INDICAZIONI DI SICUREZZA PER AVVITATORE A IMPULSI

Indossare cuffie protettive durante la trapanatura a percussione. L'esposizione al rumore potrebbe comportare una riduzione dell'udito.

Quando si svolge un'operazione in cui la vite potrebbe entrare in contatto con conduzioni elettriche nascoste impugnare l'apparecchio afferrandolo per le superfici isolate. La vite che entra in contatto con una conduttura in tensione può mettere sotto tensione le parti metalliche dell'apparecchio e causare scosse elettriche.

ULTERIORI AVVISI DI SICUREZZA E DI LAVORO

Usare dispositivi di protezione. Durante il lavoro con la macchina bisogna sempre portare occhiali di protezione.

Si consiglia di indossare indumenti di protezione come maschera antipolvere, guanti di protezione, scarpe antiscivolo robuste, casco e cuffie di protezione acustica.

La polvere che si produce durante il lavoro è spesso dannosa per la salute e non dovrebbe essere aspirata. Portare

un'adeguata mascherina protettiva.

E' vietato lavorare materiali che possono costituire pericoli alla salute (ad es. amianto).

Spegnere immediatamente il dispositivo in caso di bloccaggio! Non riaccendere il dispositivo fino a quando l'utensile ad inserto resta bloccato; esiste il rischio di causare un contraccolpo con elevato momento di reazione. Rilevare ed eliminare la causa del bloccaggio dell'utensile ad inserto tenendo conto delle indicazioni di sicurezza.

Le possibili cause sono:

- Incastro nel pezzo in lavorazione
- Il dispositivo ha attraversato il materiale da lavorare rompendolo
- Il dispositivo elettrico è stato sovraccaricato

Non avvicinare le mani alla parte della macchina in movimento.

Durante l'uso l'utensile ad inserto può surriscaldarsi.

AVVERTENZA! Pericolo di ustioni

- durante la sostituzione dell'utensile
- durante il deposito dell'utensile

Non rimuovere trucioli o schegge mentre l'utensile è in funzione.

Forando pareti, soffitti o pavimenti, si faccia attenzione ai cavi elettrici e alle condutture dell'acqua e del gas.

Fissare in sicurezza il pezzo in lavorazione con un dispositivo di serraggio. Pezzi in lavorazione che non siano fissati in sicurezza possono causare gravi lesioni e danni.

Prima di iniziare togliere la batteria dalla macchina.

Non gettare le batterie esaurite sul fuoco o nella spazzatura di casa. La Milwaukee offre infatti un servizio di recupero batterie usate.

Nel vano d'innesto per la batteria del caricatore non devono entrare parti metalliche. (pericolo di cortocircuito).

Le batterie del System M12 sono ricaricabili esclusivamente con i caricatori del System M12. Le batterie di altri sistemi non possono essere ricaricate.

Non aprire né la batteria né il caricatore e conservarli solo in luogo asciutto. Proteggerli dalla umidità.

Nel caso di batterie danneggiate da un carico eccessivo o da temperature alte, l'acido di queste potrebbe fuoriuscire. In caso di contatto con l'acido delle batterie lavarsi immediatamente con acqua e sapone. In caso di contatto con gli occhi risciacquare immediatamente con acqua per almeno 10 minuti e contattare subito un medico.

Attenzione! Per ridurre il rischio d'incendio, di lesioni o di danni al prodotto causati da corto circuito, non immergere mai l'utensile, la batteria ricaricabile o il carica batterie in un liquido e non lasciare mai penetrare alcun liquido all'interno dei dispositivi e delle batterie. I fluidi corrosivi o conduttori come acqua salata, alcuni agenti chimici, agenti candeggianti o prodotti contenenti agenti candeggianti potrebbero provocare un corto circuito.

UTILIZZO CONFORME

L'avvitatrice a percussione è un attrezzo universale per fissare e staccare viti, bulloni e dadi in luoghi dove non c'è corrente elettrica.

Utilizzare il prodotto solo per l'uso per cui è previsto.

RISCHI RESIDUI

Anche in caso di utilizzo corretto non è possibile escludere tutti i rischi residui. Durante l'uso possono esistere i seguenti pericoli e l'utilizzatore deve porre particolare attenzione per evitarli:

- Lesioni causate da vibrazioni. Tenere il dispositivo sulle apposite impugnature e limitare i tempi di lavoro e di esposizione.
- L'esposizione al rumore può causare danni all'udito. Indossare una protezione per l'udito e limitare la durata dell'esposizione.
- Lesioni agli occhi causate da particelle di detriti. Indossare sempre occhiali di protezione, pantaloni lunghi pesanti, guanti e scarpe robuste.
- Inalazione di polveri tossiche.

UTILIZZO

Avvertenza: A fissaggio avvenuto si consiglia di verificare sempre la coppia di serraggio con una chiave dinamometrica.

La coppia di serraggio è influenzata da una moltitudine di fattori, tra cui anche i seguenti.

- Stato di carica della batteria - Se la batteria è scarica, il voltaggio diminuisce e la coppia di serraggio si riduce.
- Numero di giri - Usare l'utensile a bassa velocità comporta una coppia di serraggio inferiore.
- Posizione di fissaggio - Il modo in cui si tiene l'utensile o l'elemento di fissaggio influisce sulla coppia di serraggio.
- Punta/inserto ad innesto - L'uso di una punta o di un inserto ad innesto della dimensione errata o l'uso di accessori non resistenti agli urti riduce la coppia di serraggio.
- Uso di accessori ed estensioni - A seconda dell'accessorio o dell'estensione, la coppia di serraggio dell'avvitatore a percussione può essere ridotta.
- Vite/dado - La coppia di serraggio può variare in base a diametro, lunghezza e classe di resistenza della vite/del dado.
- Stato degli elementi di fissaggio - Elementi di fissaggio

sporchi, corrosi, secchi o lubrificati possono influire sulla coppia di serraggio.

- Le parti da avvitare - La resistenza delle parti da avvitare ed ogni elemento interposto (secco o lubrificato, morbido o duro, disco, guarnizione o rondella) possono influire sulla coppia di serraggio.

TECNICHE DI AVVITATURA

Più a lungo si agisce con l'avvitatore a percussione su di un bullone, una vite o un dado, maggiore sarà il serraggio.

Evitare una durata eccessiva della lavorazione a percussione per evitare danni agli elementi di fissaggio o alle parti in lavorazione.

Usare particolare prudenza quando si agisce su elementi di fissaggio di dimensioni minori perché richiedono un numero di percussioni minore per raggiungere una coppia di serraggio ottimale.

Eseguire alcune prove con diversi elementi di fissaggio ed annotare il tempo necessario per raggiungere la coppia di serraggio desiderata.

Verificare la coppia di serraggio con una chiave dinamometrica manuale.

Se la coppia di serraggio è eccessiva, ridurre la durata di percussione.

Se la coppia di serraggio non è sufficiente, incrementare la durata di percussione.

Olio, sporcizia, ruggine o altre impurità sulle filettature o sotto la testa dell'elemento di fissaggio influiscono sulla grandezza della coppia di serraggio.

La coppia necessaria per svitare un elemento di fissaggio è mediamente pari al 75% - 80% della coppia di serraggio, a seconda dello stato delle superfici di contatto.

Eseguire lavori di avvitatura leggeri con una coppia di serraggio relativamente bassa e per il serraggio finale usare una chiave dinamometrica manuale.

CONTROLLO VELOCITÀ



Il tasto di controllo velocità serve per impostare il numero di giri in base all'applicazione (min⁻¹).

Nella modalità viti autofilettanti l'utensile gira con il massimo numero di giri fino a quando la vite non sarà stata inserita. Successivamente, per un migliore controllo, la velocità verrà ridotta fino a quando la vite non sarà stata completamente abbassata nel materiale.

NOTE PER BATTERIE AGLI IONI DI LITIO

Uso di batterie agli ioni di litio

Batterie non utilizzate per molto tempo devono essere ricaricate prima dell'uso.

A temperature superiori ai 50°C, la potenza della batteria si riduce. Evitare il riscaldamento prolungato dal sole o il riscaldamento.

Tenere puliti i contatti di connessione sul caricatore e sulla batteria.

Per una ottimale vita utile è necessario ricaricare completamente le batterie dopo l'uso.

Per una più lunga durata, rimuovere le batterie dal caricabatterie quando saranno cariche.

In caso di immagazzinaggio della batteria per più di 30 giorni: Immagazzinare la batteria a circa 27°C in ambiente asciutto. Immagazzinare la batteria con carica di circa il 30% - 50%. Ricaricare la batteria ogni 6 mesi.

Protezione contro il sovraccarico di batterie agli ioni di

litio

In caso di sovraccarico dell'accumulatore dovuto ad un consumo molto elevato di corrente, ad es. momenti di coppia estremamente elevati, arresto improvviso o corto circuito, l'utensile elettrico vibra per 5 secondi, il display di carica lampeggia e l'elettrodotensile si spegne automaticamente. Per riaccenderlo rilasciare l'interruttore e poi riaccenderlo. Se sottoposto a sollecitazioni estreme l'accumulatore si riscalda eccessivamente. In questo caso lampeggiano tutte le spie del display di carica finché l'accumulatore non è raffreddato. Quando il display di carica si spegne si può continuare a lavorare.

Trasporto di batterie agli ioni di litio

Le batterie agli ioni di litio sono soggette alle disposizioni di legge sul trasporto di merce pericolosa.

Il trasporto di queste batterie deve avvenire rispettando le disposizioni e norme locali, nazionali ed internazionali.

- Gli utilizzatori possono trasportare queste batterie su strada senza alcuna restrizione.
- Il trasporto commerciale di batterie agli ioni di litio è regolato dalle disposizioni sul trasporto di merce pericolosa. Le preparazioni al trasporto ed il trasporto stesso devono essere svolti esclusivamente da persone idoneamente istruite. Tutto il processo deve essere gestito in maniera professionale.

Durante il trasporto di batterie occorre tenere conto di quanto segue:

- Assicurarsi che i contatti siano protetti ed isolati per evitare corto circuiti.
- Accertarsi che il gruppo di batterie non possa spostarsi all'interno dell'imballaggio.
- Batterie danneggiate o batterie che perdono liquido non devono essere trasportate.

Per ulteriori informazioni si prega di contattare il proprio trasportatore.

PULIZIA

Tener sempre ben pulite le fessure di ventilazione dell'apparecchio.

MANUTENZIONE

Usare solo accessori Milwaukee e pezzi di ricambio Milwaukee. Gruppi costruttivi la cui sostituzione non è stata descritta, devono essere fatti cambiare da un punto di servizio di assistenza tecnica al cliente Milwaukee (vedi depliant garanzia/indirizzi assistenza tecnica ai clienti).

In caso di necessità è possibile richiedere un disegno esploso del dispositivo indicando il modello della macchina ed il numero a sei cifre sulla targa di potenza rivolgendosi al centro di assistenza tecnica o direttamente a Techtronic Industries GmbH, Max-Eyth-Straße 10, 71364 Winnenden, Germany.

SIMBOLI



Leggere attentamente le istruzioni per l'uso prima di mettere in funzione l'elettrodotensile.



ATTENZIONE! AVVERTENZA! PERICOLO!



Prima di iniziare togliere la batteria dalla macchina.



I rifiuti di pile e i rifiuti di apparecchiature elettriche ed elettroniche non devono essere smaltiti insieme ai rifiuti domestici. I rifiuti di pile e di apparecchiature elettriche ed elettroniche devono essere raccolti e smaltiti separatamente.

Rimuovere i rifiuti di pile e di accumulatori nonché le sorgenti luminose dalle apparecchiature prima di smaltirle. Chiedere alle autorità locali o al rivenditore specializzato dove si trovano i centri di riciclaggio e i punti di raccolta.

A seconda dei regolamenti locali, i rivenditori al dettaglio possono essere obbligati a ritirare gratuitamente i rifiuti di pile e i rifiuti di apparecchiature elettriche ed elettroniche. Aiutate a ridurre il fabbisogno di materie prime riutilizzando e riciclando i propri rifiuti di pile e di apparecchiature elettriche ed elettroniche. I rifiuti di pile (specialmente di pile agli ioni di litio) e i rifiuti di apparecchiature elettriche ed elettroniche contengono materiali preziosi e riciclabili che possono avere un impatto negativo sull'ambiente e sulla vostra salute se non vengono smaltiti in modo ecologico. Cancellare tutti i dati personali che potrebbero essere presenti sul vostro rifiuto di apparecchiatura prima di procedere allo smaltimento.



Accessorio - Non incluso nella dotazione standard, disponibile a parte come accessorio.



Numero di giri a vuoto



Frequenza di percussione



Voltaggio



Corrente continua



Marchio di conformità europeo



Marchio di conformità britannico



Marchio di conformità ucraino



Marchio di conformità euroasiatico



DATOS TÉCNICOS		M12 FID2
Tipo de construcción	Atornillador de Impacto a Batería	
Número de producción	4812 94 01 XXXXXX MJJJJ	
Voltaje de batería	12 V ---	
Rangos de velocidad de giro sin carga 1 / 2 / 3 / 4	0–1700 / 0–2900 / 0–3600 / 0–3600 min ⁻¹	
Número máximo de impactos	0–4000 min ⁻¹	
Par de apriete máximo	170 Nm	
Inserción de herramientas	1/4" (6mm) HEX	
Tamaño máximo de tornillo / de tuerca	M14	
Peso de acuerdo con el procedimiento EPTA 01/2014 (2,0...6,0 Ah)	0,91...1,1 kg	
Temperatura ambiente recomendada durante el trabajo	-18...+50 °C	
Tipos de acumulador recomendados	M12B...	
Cargadores recomendados	M12-18C, M12-18AC, M12-18FC, C12C	

Información sobre ruidos: Determinación de los valores de medición según norma EN 62841.

El nivel de ruido típico del aparato determinado con un filtro A corresponde a:

Presión acústica / Tolerancia K 99,25 dB(A) / 3 dB(A)

Resonancia acústica / Tolerancia K 110,25 dB(A) / 3 dB(A)

Usar protectores auditivos!

Informaciones sobre vibraciones:

Nivel total de vibraciones (suma vectorial de tres direcciones) determinado según EN 62841.

Valor de vibraciones generadas a_v / Tolerancia K 14,35 m/s² / 1,5m/s²

⚠ ADVERTENCIA!

El nivel de emisión de ruido y vibración indicado en esta hoja informativa se ha medido de acuerdo con una prueba estandarizada que figura en EN 62841 y se puede usar para comparar una herramienta con otra. Puede ser empleado para una evaluación preliminar de la exposición.

El nivel declarado emisión de vibración y ruido representa las principales aplicaciones de la herramienta. Sin embargo, si la herramienta se utiliza para diferentes aplicaciones, con diferentes accesorios o con un mantenimiento deficiente, la emisión de ruido y vibración puede diferir. Esto puede aumentar significativamente el nivel de exposición durante el periodo total de trabajo.

También se debe tener en cuenta una estimación del nivel de exposición a la vibración y el ruido cuando la herramienta está apagada o cuando está funcionando, pero no está haciendo su trabajo. Esto puede reducir significativamente el nivel de exposición durante el periodo total de trabajo.

Identifique medidas de seguridad adicionales para proteger al operador de los efectos de la vibración o el ruido, como realizar mantenimiento de la herramienta y los accesorios, mantener las manos calientes y organizar las pautas de trabajo.

⚠ ADVERTENCIA Lea todas las advertencias de peligro, instrucciones, ilustraciones y especificaciones suministradas con esta herramienta eléctrica. En caso de no atenderse a las instrucciones siguientes, ello puede ocasionar una descarga eléctrica, un incendio y/o lesión grave.

Guardar todas las advertencias de peligro e instrucciones para futuras consultas.

INSTRUCCIONES DE SEGURIDAD PARA ATORNILLADOR DE IMPACTO

Utilice protectores de oídos al taladrar con percusión.

La exposición a niveles de ruido excesivos puede causar la pérdida de audición.

Sujete el aparato por las superficies de sujeción aisladas cuando realice trabajos en los que el tornillo puede alcanzar líneas de corriente eléctrica ocultas. El contacto del tornillo con una línea conductora de corriente puede poner las partes metálicas del aparato bajo tensión y provocar un choque eléctrico.

INSTRUCCIONES ADICIONALES DE SEGURIDAD Y LABORALES

Utilice el equipamiento de protección. Mientras trabaje con la máquina lleve siempre gafas protectoras. Se recomienda utilizar ropa de protección como máscara protectora contra el polvo, guantes protectores, calzado resistente y

antideslizante, casco y protección para los oídos.

El polvo que se produce durante estos trabajos puede ser nocivo a la salud; es por ello aconsejable que no penetre al cuerpo. Utilice por ello una máscara protectora contra polvo.

No se deben trabajar materiales que conlleven un riesgo para la salud (por ej. amianto).

¡En caso de que se bloquee el útil, el aparato se debe desconectar inmediatamente! No vuelva a conectar el aparato, mientras el útil esté bloqueado; se podría producir un rechazo debido a la reacción de retroceso brusca. Averigüe y elimine la causa del bloqueo del útil, teniendo en cuenta las indicaciones de seguridad.

Causas posibles para ello pueden ser:

- Atascamiento o bloqueo en la pieza de trabajo
- Rotura del material con el que está trabajando
- Sobrecarga de la herramienta eléctrica

No introduzca las manos en la máquina mientras ésta se encuentra en funcionamiento.

El útil se puede calentar durante el uso.

ADVERTENCIA! Peligro de quemaduras

- en caso de cambiar la herramienta
- en caso de depositar el aparato

Nunca se debe intentar limpiar el polvo o viruta procedente del taladrado con la máquina en funcionamiento.

Para trabajar en paredes, techo o suelo, tenga cuidado para evitar los cables eléctricos y tuberías de gas o agua.

Fije la pieza de trabajo con un dispositivo de fijación. Las

piezas de trabajo no fijadas pueden causar lesiones graves y deterioros.

Retire la batería antes de comenzar cualquier trabajo en la máquina.

No tire las baterías usadas a la basura ni al fuego. Los Distribuidores Milwaukee ofrecen un servicio de recogida de baterías antiguas para proteger el medio ambiente.

No almacene la batería con objetos metálicos (riesgo de cortocircuito).

Recargar solamente los acumuladores del Sistema M12 en cargadores M12. No intentar recargar acumuladores de otros sistemas.

No abra nunca las baterías ni los cargadores y guárdelos sólo en lugares secos. Protéjalos de la humedad en todo momento.

En caso de sobrecarga o alta temperatura, pueden llegar a producirse escapes de ácido provenientes de la batería. En caso de contacto con éste, limpie inmediatamente la zona con agua y jabón. Si el contacto es en los ojos, límpiese concienzudamente con agua durante 10 minutos y acuda inmediatamente a un médico

Advertencia! Para reducir el riesgo de incendio, lesión personales y daños al producto debido a un cortocircuito, no sumerja nunca la herramienta, el paquete de baterías o el cargador en líquido ni permita que fluya un fluido dentro de ellos. Los fluidos corrosivos o conductivos, como el agua de mar, ciertos productos químicos industriales y blanqueadores o lejías que contienen, etc., Pueden causar un cortocircuito.

APLICACIÓN DE ACUERDO A LA FINALIDAD

El destornillador de golpe de acumulador puede emplearse de manera universal para fijar y soltar tornillos y tuercas, siendo independiente de una conexión a la red.

No utilice este producto para ninguna otra aplicación que no sea su uso normal.

RIESGOS RESIDUALES

Incluso en caso de un uso correcto, no es posible excluir por completo la existencia de riesgos residuales. Durante el uso de la máquina se pueden producir los siguientes riesgos a tener en cuenta especialmente por el operador de la misma.

- Lesiones provocadas por efecto de la vibración. Sujete el dispositivo utilizando las empuñaduras previstas para ello y limite el tiempo de trabajo y de exposición a riesgos.
- La contaminación acústica puede provocar lesiones auditivas. Lleve una protección auditiva y limite el tiempo de exposición a riesgos.
- Lesiones oculares producidas por partículas de suciedad. Lleve siempre gafas protectoras, pantalones resistentes y largos y calzado resistente.
- Inhalación de polvos tóxicos.

FUNCIONAMIENTO

Nota: Tras la sujeción, se recomienda comprobar siempre el par de apriete con una llave dinamométrica.

El par de apriete se ve afectado por numerosos factores, entre los cuales se encuentran los siguientes.

- Estado de carga de la batería - Si la batería está descargada, se produce una caída de tensión y el par de apriete disminuye.
- Velocidades de giro - Si se usa la herramienta a baja velocidad, se produce un par de apriete menor.
- Posición de sujeción - La forma y la manera cómo se soporta la herramienta o el elemento de sujeción afectan el par de apriete.

- Acoplamiento giratorio / enchufable - El uso de un acoplamiento giratorio o enchufable de un tamaño incorrecto o el uso de accesorios no resistentes a los golpes reduce el par de apriete.
- Uso de accesorios y alargadores - Dependiendo de los accesorios y del alargador se puede producir una reducción del par de apriete del atornillador de impacto.
- Tornillo / tuerca - El par de apriete puede variar dependiendo del diámetro, longitud y clase de resistencia del tornillo o de la tuerca.
- Estado de los elementos de sujeción - Los elementos de sujeción sucios, corroidos, secos o lubricados pueden afectar el par de apriete.
- Las piezas que se han de atornillar - La resistencia de las piezas que se han de atornillar, así como de cada componente existente entre ellas (seco o engrasado, blando o duro, arandela, junta o arandela plana) puede afectar el par de apriete.

TÉCNICAS PARA IMPACTAR

Mientras más tiempo se impacta a un tornillo, tuerca o birlo, más apretado quedará.

Para ayudar a prevenir dañar tanto las piezas de trabajo como los sujetadores, evite impactarlos en exceso.

Sea particularmente cuidadoso cuando impacte sujetadores que sean de tamaño pequeño ya que estos requerirán menos impactos para alcanzar el par de apriete deseado.

Practique impactando con diferentes tipos de sujetadores para que observe el tiempo que se requiere impactar para alcanzar el par de apriete deseado.

Verifique el par de apriete usando una llave dinamométrica manual.

Si los sujetadores quedaron muy apretados, reduzca el tiempo de impacto.


No están suficientemente apretados, aumente el tiempo de impacto.


El aceite, la suciedad, el óxido u otro material en los hilos o bajo la cabeza del sujetador afecta el grado de apriete.

El par de apriete requerido para aflojar un sujetador está, en promedio, entre el 75% y el 80% del par de apriete que fue requerido para apretarlo, dependiendo esto de las condiciones de las superficies de contacto.

En los trabajos que lleven juntas ligeras, lleve cada sujetador hasta un par de apriete relativamente y, luego, use una llave dinamométrica manual para el apriete final.

CONTROL DE ACCIONAMIENTO

 La tecla para el control del accionamiento se usa para el ajuste de la velocidad de giro según la aplicación (min⁻¹).

En el modo de tornillo autorroscante , el aparato funciona con la máxima velocidad de giro hasta que el tornillo queda enroscado. A continuación, se reduce la velocidad de giro para permitir un mejor control hasta que el tornillo se encuentra completamente insertado en la pieza de trabajo.

INDICACIONES PARA BATERÍAS DE IONES DE LITIO

Uso de baterías de iones de litio

Las baterías no utilizadas durante cierto tiempo deben ser recargadas antes de usar.

Las temperaturas superiores a 50°C reducen el rendimiento de la batería. Evite una exposición excesiva a fuentes de calor o al sol (riesgo de sobrecalentamiento).

Los puntos de contacto del cargador y de la batería recargable se deben mantener limpios.

Para un tiempo óptimo de vida, deberán cargarse las baterías completamente después de su uso.

Para garantizar la máxima capacidad y vida útil, las baterías recargables se deberán retirar del cargador una vez finalizada la carga.

En caso de almacenar la batería recargable más de 30 días: Almacenar la batería recargable en un lugar seco a una temperatura de aproximadamente 27°C. Almacenar la batería recargable con un estado de carga del 30% y 50% aproximadamente. Recargar la batería cada 6 meses.

Protección de sobrecarga de baterías en baterías de iones de litio

En caso de sobrecarga de la batería a causa de un consumo de corriente demasiado elevado, por ejemplo, en momentos de torsión extremadamente altos, de una parada o cortocircuito repentinos; el aparato eléctrico vibra durante 5 segundos, el indicador de carga parpadea y el aparato eléctrico se desconecta automáticamente. Para conectarlo de nuevo, soltar el botón de encendido y después conectarlo otra vez. Bajo cargas extremas la batería se calienta demasiado. En este caso, todas las luces del indicador de carga parpadean hasta que la batería se enfría. Cuando se apaga el indicador de carga se puede trabajar de nuevo.

Transporte de baterías de iones de litio

Las baterías de iones de litio caen bajo las disposiciones legales relativas al transporte de mercancías peligrosas. El transporte de estas baterías recargables debe llevarse a cabo, observando las normas y disposiciones locales, nacionales e internacionales.

- Los consumidores pueden transportar estas baterías recargables sin el menor reparo en la calle.
- El transporte comercial de baterías recargables de iones de litio por empresas de transportes está sometido a las disposiciones del transporte de mercancías peligrosas. Las preparaciones para el envío y el transporte deben ser llevados a cabo exclusivamente por personas instruidas adecuadamente. El proceso completo debe ser supervisado por personal competente.

Los siguientes puntos se deben observar para el transporte de las baterías recargables:

- Se debe asegurar que los contactos estén protegidos y aislados para evitar que se produzcan cortocircuitos.
- Preste atención a que el conjunto de baterías recargables no se pueda desplazar dentro del envase.
- Las baterías recargables deterioradas o derramadas no se deben transportar.

Rogamos que para cualquier información adicional se dirija a su empresa de transportes.

LIMPIEZA

Las ranuras de ventilación de la máquina deben estar despejadas en todo momento.

MANTENIMIENTO

Utilice solamente accesorios y repuestos Milwaukee. En caso de necesitar reemplazar componentes no descritos, contacte con cualquiera de nuestras estaciones de servicio Milwaukee (consultar lista de servicio técnicos)

Puede solicitar, en caso necesario, una vista despiezada del aparato bajo indicación del tipo de máquina y el número de seis dígitos en la placa indicadora de potencia en su Servicio de Postventa o directamente en Techtronic Industries GmbH, Max-Eyth-Straße 10, 71364 Winnenden, Germany.

SÍMBOLOS

	Lea las instrucciones detenidamente antes de conectar la herramienta
	¡ATENCIÓN! ¡ADVERTENCIA! ¡PELIGRO!
	Retire la batería antes de comenzar cualquier trabajo en la máquina.
	Los residuos de pilas y de aparatos eléctricos y electrónicos no se deben desechar junto con la basura doméstica. Los residuos de pilas y de aparatos eléctricos y electrónicos se deben recoger y desechar por separado. Retire los residuos de pilas y acumuladores, así como las fuentes de iluminación de los aparatos antes de desecharlos. Infórmese en las autoridades locales o en su distribuidor especializado sobre los centros de reciclaje y los puntos de recogida. Dependiendo de las disposiciones locales al respecto, los distribuidores minoristas pueden estar obligados a aceptar de forma gratuita la devolución de residuos de pilas, aparatos eléctricos y electrónicos. Contribuya mediante la reutilización y el reciclaje de sus residuos de pilas y de aparatos eléctricos y electrónicos a reducir la demanda de materias primas. Los residuos de pilas (sobre todo de pilas de iones de litio) y de aparatos eléctricos y electrónicos contienen valiosos materiales reutilizables que pueden tener efectos negativos para el medio ambiente y su salud si no son desechados de forma respetuosa con el medio ambiente. Antes de desecharlos, elimine los datos personales que podría haber en los residuos de sus aparatos.
	Accesorio - No incluido en el equipo estándar, disponible en la gama de accesorios.
	Velocidad de giro en vacío
	Número de percusiones
	Tensión
	Corriente continua
	Marcado de conformidad europeo
	Marcado de conformidad británico
	Marcado de conformidad ucraniano
	Marcado de conformidad euroasiático

CARACTERÍSTICAS TÉCNICAS

	M12 FID2
Tipo	Aparafusadora de Impacto a Batería
Número de produção	4812 94 01 XXXXX MJJJJ
Tensão do acumulador	12 V ---
Gamas de velocidade na marcha em vazio 1 / 2 / 3 /	0–1700 / 0–2900 / 0–3600 / 0–3600 min ⁻¹
Nº de impactos máx.	0–4000 min ⁻¹
Binário de aperto máx.	170 Nm
Recepção de pontas	1/4" (6mm) HEX
Tamanho máximo do parafuso / porca	M14
Peso nos termos do procedimento-EPTA 01/2014 (2,0...6,0 Ah)	0,91...1,1 kg
Temperatura ambiente recomendada ao trabalhar	-18...+50 °C
Tipos de baterías recomendadas	M12B...
Carregadores recomendados	M12-18C, M12-18AC, M12-18FC, C12C
Informações sobre ruído: Valores de medida de acordo com EN 62841.	
O nível de ruído avaliado A do aparelho é tipicamente:	
Nível da pressão de ruído / Incertez K	99,25 dB(A) / 3 dB(A)
Nível da potência de ruído / Incertez K	110,25 dB(A) / 3 dB(A)
Use protectores auriculares!	
Informações sobre vibração:	
Valores totais de vibração (soma dos vectores das três direcções) determinadas conforme EN 62841.	
Valor de emissão de vibração a _h / Incertez K	14,35 m/s ² / 1,5m/s ²

ATENÇÃO!

O nível de emissão de ruído e vibração fornecido nesta ficha de informações foi medido de acordo com um teste padronizado que se encontra na norma EN 62841, podendo ser utilizado para fazer comparações entre ferramentas. Pode ser utilizado para fazer uma avaliação preliminar da exposição.

O nível de emissão de ruído e vibração declarado representa as principais aplicações da ferramenta. No entanto, se a ferramenta for utilizada para aplicações diferentes ou com acessórios distintos, ou se a sua manutenção for deficiente, a emissão de ruídos e vibrações poderá diferir. Isso poderá aumentar significativamente o nível de exposição ao longo do período de trabalho total.

A estimativa do nível de exposição à vibração e ruído também deve ter em conta os tempos em que a ferramenta, quer desligada quer em funcionamento, não está realmente a trabalhar. Isso poderá reduzir significativamente o nível de exposição ao longo do período de trabalho total.

Identifique medidas de segurança adicionais para proteger o operador contra os efeitos da vibração e/ou ruído, tais como: fazer a manutenção da ferramenta e dos acessórios, manter as mãos quentes, organizar padrões de trabalho.

ADVERTÊNCIA Devem ser lidas todas as advertências de segurança, instruções, ilustrações e especificações fornecidas com esta ferramenta elétrica. O desrespeito das advertências e instruções apresentadas abaixo pode causar choque elétrico, incêndio e/ou graves lesões. **Guarde bem todas as advertências e instruções para futura referência.**

INSTRUÇÕES DE SEGURANÇA PARA APARAFUSADORA DE IMPACTO

Use uma protecção dos ouvidos ao usar o berbequim de percussão. Os ruídos podem causar surdez.

Segure o aparelho pela superfície isoladora do punho, se executar trabalhos nos quais o parafuso possa tocar em linhas eléctricas ocultas. O contacto do parafuso com uma linha sob tensão pode também colocar peças metálicas do aparelho sob tensão e provocar um choque eléctrico.

INSTRUÇÕES DE SEGURANÇA E TRABALHO SUPLEMENTARES

Utilizar equipamento de protecção. Durante os trabalhos com a máquina, usar sempre óculos de protecção. Vestuário de protecção, bem como máscara de pó, sapatos fechados e antiderrapante, capacete e protecção auditiva são recomendados.

O pó que resulta ao trabalhar pode ser nocivo para a saúde,

por isso não devendo penetrar no corpo. Use uma máscara de protecção contra pó apropriada.

Não devem ser processados materiais que representem um perigo para a saúde (p. ex. asbesto).

Desligue o aparelho imediatamente, quando a ferramenta de inserção bloquear! Não ligue o aparelho novamente durante o bloqueio da ferramenta de inserção, pois isso pode levar a um recuo repentino com uma alta força reactiva. Verifique e elimine a causa do bloqueio da ferramenta de inserção, observando as instruções de segurança.

Causas possíveis podem ser:

- Emperramento na peça a trabalhar
- Material a processar rompido
- Sobrecarga da ferramenta eléctrica

Não toque na máquina em operação.

A ferramenta de inserção pode ficar quente durante a operação.

ATENÇÃO! Perigo de queimar-se

- a troca das ferramentas
- ao depositar o aparelho

Não remover aparas ou lascas enquanto a máquina trabalha.

Ao trabalhar em paredes, tectos e soalhos prestar atenção a que não sejam atingidos cabos eléctricos e canalizações de gás e água.

Fixe a peça a trabalhar com um dispositivo de fixação. Peças a trabalhar não fixadas podem levar a feridas graves e danos sérios.

Antes de efectuar qualquer intervenção na máquina retirar o

bloco acumulador.

Não queimar acumuladores gastos nem deixá-los no lixo doméstico. A Milwaukee possui uma eliminação de acumuladores gastos que respeita o meio ambiente.

Não guardar acumuladores junto com objectos metálicos (perigo de curto-circuito).

Use apenas carregadores do Sistema M12 para recarregar os acumuladores do Sistema M12. Não utilize acumuladores de outros sistemas.

Carregadores só devem ser utilizados em recintos secos.

Em caso de cargas ou temperaturas extremas, um acumulador de substituição danificado poderá verter líquido de bateria. Se entrar em contacto com este líquido, deverá lavar-se imediatamente com água e sabão. Em caso de contacto com os olhos, enxágüe-os bem e de imediato durante pelo menos 10 minutos e consulte um médico o mais depressa possível.

Advertência! Para evitar o risco de incêndio, de feridas ou de danificação do produto causado por um curto-circuito, não imerja a bateria intercambiável ou o carregador em líquidos e assegure-se de que líquidos não penetrem nos aparelhos ou nas baterias. Líquidos corrosivos ou condutivos como água salgada, determinadas substâncias químicas ou produtos que contenham branqueadores podem causar um curto-circuito.

UTILIZAÇÃO AUTORIZADA

A aparafusadora de percussão sem cabo pode ser utilizada universalmente para fixar e soltar parafusos e porcas, independente dum ligação à rede.

Não use este produto de outra maneira sem ser a normal para o qual foi concebido.

RISCOS RESIDUAIS

Mesmo em caso de utilização correta não é possível excluir todos os riscos residuais. Na utilização da máquina podem ser causados os seguintes perigos que o utilizador deve observar:

- Feridas causadas pela vibração. Segure o aparelho nos punhos previstos e limite o tempo de trabalho e exposição.
- Os ruídos podem levar à perda de audição. Use um protetor auricular e limite o período de exposição.
- Feridas dos olhos causadas por partículas de sujeira. Sempre use óculos de proteção, calças compridas sólidas e calçados sólidos.
- Inalação de pós tóxicos.

OPERAÇÃO

Nota: Recomenda-se sempre verificar o torque de aperto com uma chave dinamométrica após a fixação.

O torque de aperto é influenciado por muitos fatores, inclusive os seguintes.

- Estado de carga da bateria - Quando a bateria estiver esgotada, a tensão cairá e o torque de aperto será reduzido.
- Torques - A utilização da ferramenta com baixa velocidade leva a um menor torque de aperto.
- Posição de fixação - A maneira de segurar a ferramenta ou o elemento de fixação influencia o torque de aperto.
- Inserção rotativa/de encaixe - O uso de uma inserção rotativa ou de encaixe de tamanho errado ou o uso de acessórios não resistentes ao impacto reduz o torque de aperto.
- Uso de acessórios e extensões - Dependendo dos acessórios ou da extensão, o torque de aperto da chave de impacto pode ser reduzido.
- Parafuso/Porca - Dependendo do diâmetro, do comprimento e da classe de resistência do parafuso/da porca, o torque de aperto pode variar.

- Estado dos elementos de fixação - Elementos de fixação sujos, corroídos, secos ou lubrificados podem influenciar o torque de aperto.
- Peças a aparafusar - A resistência das peças a aparafusar e cada componente entre elas (secos ou lubrificados, macios ou duros, disco, vedação ou arruela) pode influenciar o torque de aperto.

TÉCNICAS DE APARAFUSAMENTO

Quanto mais tempo um pino, um parafuso ou uma porca for aparafusado com a chave de impacto, tanto mais forte ele será apertado.

Para evitar danos dos meios de fixação ou das peças evite um período de impacto excessivo.

Tenha cuidado particular com meios de fixação pequenos, uma vez que precisam de menos impactos para alcançar um torque de aperto ideal.

Experimente com vários meios de fixação e observe o tempo que precisa para alcançar o torque de aperto desejado.

Verifique o torque de aperto com uma chave dinamométrica manual.

Se o torque de aperto for muito grande, reduza o tempo de impacto.

Se o torque de aperto for insuficiente, aumente o tempo de impacto.

Óleo, sujeira, ferrugem e outras impurezas nas roscas ou abaixo da cabeça do meio de fixação influenciam o torque de aperto.

O torque necessário para soltar um meio de fixação na média é 75% a 80% do torque de aperto, dependendo do estado das superfícies de contato.

Execute trabalhos de aparafusamento leves com um torque de aperto relativamente pequeno e use uma chave dinamométrica manual para apertar definitivamente.

CONTROLO DO ACIONAMENTO



A tecla para o controlo do acionamento destina-se a ajustar a velocidade conforme a aplicação (min⁻¹).

No modo de parafusos autorroscantes o aparelho opera com a velocidade máxima, até o parafuso estiver aparafusado. A seguir, a velocidade é reduzida para melhor controlo, até o parafuso estiver inteiramente introduzido na peça.

NOTAS PARA BATERIAS DE IÕES DE LÍTIU

Utilização de iões de lítio

Acumuladores não utilizados durante algum tempo devem ser recarregados antes da sua utilização.

Temperaturas acima de 50°C reduzem a capacidade do acumulador. Evitar exposição prolongada ao sol ou a caloríferos.

Mantenha limpos os contactos eléctricos no carregador e a bateria.

Para uma vida útil óptima das baterias, terá que carregá-las plenamente após a sua utilização.

Para assegurar uma vida útil longa, as baterias devem ser removidas do carregador depois do carregamento.

Se o pacote de bateria for armazenado por mais de 30 dias: Armazene o pacote de bateria com aprox. 27°C em um lugar seco.

Armazene o pacote de bateria com aprox. 30%-50% da carga completa.

Carregue o pacote de bateria novamente de 6 em 6 meses.

Proteção contra sobrecarga para baterias de iões de lítio

No caso de sobrecarga da bateria devido a um consumo de corrente demasiado elevado, por exemplo um binário de rotação extremamente elevado, uma paragem repentina ou um curto-circuito, a ferramenta eléctrica vibra durante 5 segundos, o indicador de carregamento de bateria começa a piscar e a ferramenta eléctrica desliga-se automaticamente. Para a ligar novamente, desligar e voltar a ligar o interruptor Sob condições extremas, a bateria aquece demasiado. Nesse caso, todas as luzes do indicador de carregamento de bateria piscam até que esta arrefeça. Após as luzes do indicador de carregamento de bateria se apagarem, pode-se continuar a trabalhar.

Transporte de baterias de iões de lítio

Baterias de ião-lítio estão sujeitas às disposições da legislação relativa às substâncias perigosas.

O transporte destas baterias deve ser efetuado de acordo com as disposições e os regulamentos locais, nacionais e internacionais.

- O utilizador pode efetuar o transporte rodoviário destas baterias sem restrições.
- O transporte comercial de baterias de ião-lítio por terceiros está sujeito aos regulamentos relativos às substâncias perigosas. A preparação do transporte e o transporte devem ser executados exclusivamente por pessoas instruídas e o processo deve ser acompanhado pelos especialistas correspondentes.

Observe o seguinte no transporte de baterias:

- Assegure-se de que os contactos terminais estejam protegidos e isolados para evitar um curto-circuito.
- Assegure-se de que o bloco da bateria esteja protegido contra movimentos na embalagem.
- Não transporte baterias danificadas ou que tenham fuga.

Para instruções mais detalhadas consulte a companhia de transportes

LIMPEZA


Mantenha desobstruídos os rasgos de ventilação na carcaça da máquina.

MANUTENÇÃO

Utilizar apenas acessórios Milwaukee e peças sobresselentes Milwaukee. Os componentes cuja substituição não esteja descrita devem ser substituídos num serviço de assistência técnica Milwaukee (consultar a brochura relativa à garantia/moradas dos serviços de assistência técnica).

Se for necessário, um desenho de explosão do aparelho pode ser solicitado do seu posto de assistência ao cliente ou directamente da Techtronic Industries GmbH, Max-Eyth-Straße 10, 71364 Winnenden, Alemanha, indicando o tipo da máquina e o número de seis posições na chapa indicadora da potência.

SYMBOLE	
	Leia atentamente o manual de instruções antes de colocar a máquina em funcionamento.
	ATENÇÃO! PERIGO!
	Antes de efectuar qualquer intervenção na máquina retirar o bloco acumulador.
	Resíduos de pilhas, resíduos de equipamentos eléctricos e electrónicos não devem ser descartados com o lixo doméstico. Resíduos de pilhas, resíduos de equipamentos eléctricos e electrónicos devem ser recolhidos e descartados separadamente. Remova os resíduos de pilhas, os resíduos de acumuladores e as luzes antes de descartar os equipamentos. Informe-se sobre os centros de reciclagem e os postos de coleta nas autoridades locais ou no seu vendedor autorizado. Dependendo dos regulamentos locais, os retalhistas podem ser obrigados a retomar gratuitamente os resíduos de pilhas e os resíduos de equipamentos eléctricos e electrónicos. Contribua a reduzir as necessidades de matérias-primas, reutilizando e reciclando os seus resíduos de pilhas e os seus resíduos de equipamentos eléctricos e electrónicos. Resíduos de pilhas (particularmente pilhas de ion lítio), resíduos de equipamentos eléctricos e electrónicos contêm materiais valiosos e reutilizáveis que podem ter efeitos negativos para o meio ambiente e a sua saúde. Apague eventuais dados pessoais existentes no seu resíduo de equipamento antes de descartá-lo.
	Acessório - Não incluído no equipamento normal, disponível como acessório.
	Velocidade de marcha lenta
	Número de impactos
	Tensão
	Corrente contínua
	Marca de Conformidade Europeia
	Marca de conformidade britânica
	Marca de Conformidade Ucraniana
	Marca de Conformidade Eurasiática

TECHNISCHE GEGEVENS	
Type	Accu-slagmoersleutel
Productienummer	4812 94 01 XXXXX MJJJ
Spanning wisselakku	12 V ---
Nullasttoerental 1 / 2 / 3 / 	0–1700 / 0–2900 / 0–3600 / 0–3600 min ⁻¹
Max. aantal slagen	0–4000 min ⁻¹
Max. aandraaimoment	170 Nm
Werktuigopname	1/4" (6mm) HEX
Maximale schroefgrootte / moergrootte	M14
Gewicht volgens de EPTA-procedure 01/2014 (2,0...6,0 Ah)	0,91...1,1 kg
Aanbevolen omgevingstemperatuur tijdens het werken	-18...+50 °C
Aanbevolen accutypes	M12B...
Aanbevolen laadtoestellen	M12-18C, M12-18AC, M12-18FC, C12C

Geluidsinformatie: Meetwaarden vastgesteld volgens EN 62841.

Het kenmerkende A-gewogen geluidsniveau van de machine bedraagt:

Geluidsdruk niveau / Onzekerheid K 99,25 dB(A) / 3 dB(A)

Geluidsvermogen niveau / Onzekerheid K 110,25 dB(A) / 3 dB(A)

Draag oorbeschermers!

Trillingsinformatie:

Totale trillingswaarden (vectorsom van drie richtingen)

bepaald volgens EN 62841.

Trillingsemisiewaarde a_h / Onzekerheid K 14,35 m/s² / 1,5m/s²

⚠ WAARSCHUWING!

De in dit informatieblad vermelde trillings- en geluidsniveaus zijn gemeten in overeenstemming met een standaard testmethode conform EN 62841 en kunnen worden gebruikt om gereedschap met elkaar te vergelijken. Deze kunnen ook worden gebruikt voor het vooraf evalueren van de blootstelling.

De vermelde trillings- en geluidsniveaus gelden voor de meest gebruikelijke toepassingen van het gereedschap. Wanneer het gereedschap echter voor andere doeleinden of met andere hulpstukken gebruikt wordt of niet naar behoren onderhouden wordt, kan de mate van blootstelling over de hele werkperiode aanzienlijk hoger uitvallen.

Voor een nauwkeurige inschatting van de blootstelling aan trillingen en geluid moet ook de tijd in aanmerking worden genomen die het apparaat uitgeschakeld is of weliswaar loopt, maar niet werkelijk in gebruik is. Dit kan de waarde van de mate aan blootstelling over de hele werkperiode aanzienlijk verminderen.

Bepaal extra veiligheidsmaatregelen ter bescherming van de gebruiker tegen de gevolgen van trillingen en/of geluid, bijvoorbeeld: onderhoud van het gereedschap en hulpstukken, warmhouden van de handen, organisatie van de werkprocessen.

⚠ WAARSCHUWING! Lees alle veiligheids waarschuwingen, voorschriften, afbeeldingen en specificaties voor dit elektrische gereedschap. Als de onderstaande waarschuwing niet worden opgevolgd, kan dit een elektrische schok, brand of ernstig letsel tot gevolg hebben.

Bewaar alle waarschuwingen en voorschriften voor toekomstig gebruik.

VEILIGHEIDSLIJNEN VOOR SLAGMOERSLEUTEL

Draag gehoorbescherming tijdens het klopboren. Lawaai kan gehoorverlies veroorzaken.

Houd het apparaat alléén vast aan de geïsoleerde grijpvlakken als u werkzaamheden uitvoert waarbij de schroef verborgen stroomleidingen zou kunnen raken. Het contact van de schroef met een spanningvoerende leiding kan de metalen apparaatdelen onder spanning zetten en zo tot een elektrische schok leiden.

VERDERE VEILIGHEIDS- EN WERKINSTRUCTIES

Draag veiligheidsuitrusting. Bij werkzaamheden met de machine dient u altijd een veiligheidsbril te dragen. Veiligheidskleding zoals stofmasker, veiligheidshandschoenen, stevig en slipvast schoeisel, helm en gehoorbescherming worden aanbevolen.

Het gedurende het werken vrijkomende stof is doorgaans schadelijk

voor de gezondheid en mag niet met het lichaam in aanraking komen. Draag derhalve een geschikt stofbeschermsmasker.

Het is niet toegestaan, materialen te bewerken waarvan een gezondheidsgevaar uitgaat (bijv. asbest).

Schakel het apparaat onmiddellijk uit als het gereedschap blokkeert! Schakel het apparaat niet in zolang het gereedschap geblokkeerd is; dit zou een terugslag met een hoog reactiemoment kunnen veroorzaken. Achterhaal en verhelp de oorzaak voor de blokkering van het gereedschap met inachtneming van de veiligheidsinstructies.

Mogelijke oorzaken voor de blokkering:

- kantelen in het te bewerken werkstuk
- doorbreken van het te bewerken materiaal
- overbelasting van het elektrische gereedschap

Grijp niet in de lopende machine.

Het gereedschap kan heet worden tijdens het gebruik.

WAARSCHUWING! Gevaar voor verbranding

- bij het vervangen van het gereedschap
- bij het neerleggen van het apparaat

Spanen of splinters mogen bij draaiende machine niet worden verwijderd.

Bij het werken in wanden, plafonds of vloeren oppassen voor elektriciteitsdraden, gas- of waterleidingen.

Borg uw werkstuk met behulp van een spaninrichting. Niet geborgde werkstukken kunnen ernstig letsel en grote schade veroorzaken.

Voor alle werkzaamheden aan de machine de akku verwijderen.

Verbruikte akku's niet in het vuur of bij het huisvuil werpen. Milwaukee biedt namelijk een milieuvriendelijke recyclingmethode voor uw oude akku's.

Wisselakku's niet bij metalen voorwerpen bewaren (kortsluitingsgevaar !) .

Wisselakku's van het Akku-Systeem M12 alléén met laadapparaten van het Akku-Systeem M12 laden. Geen akku's van andere systemen laden.

Wisselakku's en laadapparaten niet openen en alleen in droge ruimtes opslaan. Tegen vocht beschermen.

Onder extreme belasting of extreme temperaturen kan uit de accu accu-vloeistof lopen. Na contact met accu-vloeistof direct afwassen met water en zeep. Bij oogcontact direct minstens 10 minuten grondig spoelen en onmiddellijk een arts raadplegen.

Waarschuwing! Voorkom brand, persoonlijk letsel of materiële schade door kortsluiting en dompel het gereedschap, de wisselaccu en het laadtoestel niet onder in vloeistoffen en waarborg dat geen vloeistoffen in de apparaten en accu's kunnen dringen. Corrosieve of geleidende vloeistoffen zoals zout water, bepaalde chemicaliën, bleekmiddelen of producten die bleekmiddelen bevatten, kunnen een kortsluiting veroorzaken.

VOORGESCHREVEN GEBRUIK VAN HET SYSTEEM

De accu-slagschroevendraaier is universeel en onafhankelijk van het stroomnet toepasbaar voor het in- en uitdraaien van schroeven en het los- en aandraaien van moeren

Dit apparaat uitsluitend gebruiken voor normaal gebruik, zoals aangegeven.

RESTRISICO'S

Ook als de machine volgens de voorschriften gebruikt wordt, kunnen niet alle risico's worden uitgesloten. Let bij het gebruik op de volgende gevaren:

- Door vibraties veroorzaakt letsel. Houd de machine vast aan de daarvoor bedoelde grepen en beperk de tijd die u met de machine werkt en waarin u aan de vibraties wordt blootgesteld.
- Lawaai kan leiden tot gehoorschade. Draag een gehoorbescherming en beperk de tijd waarin u aan het lawaai wordt blootgesteld.
- Door vuildeeltjes veroorzaakt oogletsel. Draag altijd een veiligheidsbril, nauwsluitende, lange broeken, handschoenen en vast schoeisel.
- Inademen van toxische stoffen.

BEDIENING

Opmerking: wij adviseren om het aandraaimoment na de bevestiging nog even te controleren met een momentsleutel.

Het aandraaimoment wordt op allerlei manieren beïnvloed, inclusief de onderstaand beschreven factoren.

- Laadtoestand van de batterij – als de batterij ontladen is, daalt de spanning en vermindert het aandraaimoment.
- Toerentallen – het gebruik van het gereedschap bij lage snelheid leidt tot een lager aandraaimoment.
- Bevestigingspositie – de manier waarop u het gereedschap of het bevestigingsmiddel vasthoudt, beïnvloedt het aandraaimoment.
- Dopsleutel/bit – het gebruik van een dopsleutel of bit in de verkeerde maat of het gebruik van niet slagvast toebehoren vermindert het aandraaimoment.
- Gebruik van toebehoren en verlengstukken – al naargelang het toebehoren of het verlengstuk kan het aandraaimoment van de slagschroevendraaier vermindert worden.
- Schroef/moer – het aandraaimoment kan variëren al naargelang diameter, lengte en vastheidsklasse van de schroef / moer.

• Toestand van de bevestigingselementen – verontreinigde, gecorrodeerde, droge of gesmeerde bevestigingselementen kunnen het aandraaimoment beïnvloeden.

• De vast te schroeven onderdelen – de vastheid van de vast te schroeven onderdelen en ieder onderdeel daartussen (droog of gesmeerd, zacht of hard, schijf, afdichting of onderlegplaatje) kan het aandraaimoment beïnvloeden.

INSCHROEFTECHNIEKEN

Hoe langer een bout, een schroef of een moer met de slagschroevendraaier belast wordt, hoe vaster deze wordt aangedraaid.

Voorkom een te lange slagduur ter vermindering van schade aan de bevestigingsmiddelen of werkstukken.

Wees bijzonder voorzichtig als u kleinere bevestigingsmiddelen aandraait omdat deze minder slagen nodig hebben voor een optimaal aandraaimoment.

Oefenen met verschillende bevestigingselementen en onthoud de tijd die u nodig hebt om het gewenste aandraaimoment te bereiken.

Controleer het aandraaimoment met een handmatige momentsleutel.

Als het aandraaimoment te hoog is, vermindert u de slagduur.

Als het aandraaimoment niet voldoende is, verhoogt u de slagduur.

Olie, vuil, corrosie of andere verontreinigingen aan de schroefdraden of onder de kop van het bevestigingsmiddel beïnvloeden de hoogte van het aandraaimoment.

Al naargelang de toestand van de raakvlakken bedraagt het vereiste aandraaimoment voor het losdraaien van een bevestigingsmiddel gemiddeld 75 % tot 80 % van het aandraaimoment.

Voer lichte schroefwerkzaamheden uit met een relatief gering aandraaimoment en gebruik een handmatige momentsleutel om het bevestigingsmiddel definitief vast te draaien.

AANDRIJFBESTURING

 De toets voor de aandrijfbesturing is bedoeld voor de toepassingsafhankelijke instelling van het toerental (min⁻¹).

In de plaatschroefmodus  draait het apparaat met maximaal toerental totdat de schroef is ingedraaid. Daarna wordt het toerental voor een betere controle vermindert totdat de schroef in het werkstuk verzonken is.

OPMERKINGEN OVER LI-ION-ACCU'S

Gebruik van li-ion-accu's

Langere tijd niet toegepaste akku's vóór gebruik altijd naladen.

Een temperatuur boven de 50°C vermindert de capaciteit van de accu. Langdurige verwarming door zon of hitte vermijden.

De aansluitcontacten aan het laadapparaat en de accu schoonhouden.

Voor een optimale levensduur moeten de accu's na het gebruik volledig opgeladen worden.

Voor een zo lang mogelijke levensduur van de accu's dienen deze na het opladen uit het laadtoestel te worden verwijderd.

Bij een langere opslag van de accu dan 30 dagen:

accu bij ca. 27 °C droog bewaren.

accu bij ca. 30 % - 50 % van de laadtoestand bewaren.

accu om de 6 maanden opnieuw opladen.

Overbelastingsbeveiliging voor li-ion-accu's

Bij overbelasting van de accu door zeer hoog stroomverbruik, bijv. extreem hoge draaimomenten, plotselinge stoppen of kortsluiting, vibreert het elektrische gereedschap gedurende

5 seconden, de laadweergave knippert en het elektrische gereedschap schakelt automatisch uit. Om het gereedschap weer in te schakelen, moet u de drukschakelaar loslaten en vervolgens weer inschakelen. Onder extreme belastingen wordt de accu te heet. In dit geval knippen alle lampen van de laadweergave totdat de accu afgekoeld is. Na het doven van de laadweergave kunt u weer verder werken.

Transport van li-ion-accu's

Lithium-ionen-accu's vallen onder de wettelijke bepalingen inzake het transport van gevaarlijke goederen.

Voor het transport van deze accu's moeten de lokale, nationale en internationale voorschriften en bepalingen in acht worden genomen.

- Verbruikers mogen deze accu's zonder meer over de weg transporteren.
- Het commerciële transport van lithium-ionen-accu's door expeditiebedrijven is onderhevig aan de bepalingen inzake het transport van gevaarlijke goederen. De verzendingsvoorbereidingen en het transport mogen uitsluitend worden uitgevoerd door dienovereenkomstig opgeleide personen. Het complete proces moet vakkundig worden begeleid.

Onderstaande punten moeten bij het transport van accu's in acht worden genomen:

- Waarborg ter vermijding van kortsluitingen dat de contacten beschermd en geïsoleerd zijn.
- Let op dat het accupack in de verpakking niet kan verschuiven.
- Beschadigde of lekkende accu's mogen niet worden getransporteerd.

Neem voor meer informatie contact op met uw expeditiebedrijf.

REINIGING

Altijd de luchtspleten van de machine schoonhouden.

ONDERHOUD

Gebruik uitsluitend Milwaukee toebehoren en onderdelen. Indien componenten die moeten worden vervangen niet zijn beschreven, neem dan contact op met een officieel Milwaukee servicecentrum (zie onze lijst met servicecentra).

Zo nodig kan een explosietekening van het apparaat worden aangevraagd bij uw klantenservice of direct bij Techtronic Industries GmbH, Max-Eyth-Straße 10, 71364 Winnenden, Duitsland onder vermelding van het machinetype en het zescijferige nummer op het typeplaatje.

SYMBOLEN

	Graag instructies zorgvuldig doorlezen vóórdat u de machine in gebruik neemt.
	OPGELET! WAARSCHUWING! GEVAAR!
	Voor alle werkzaamheden aan de machine de accu verwijderen.
	Afgedankte batterijen en afgedankte elektrische en elektronische apparatuur mogen niet samen via het huisafval worden afgevoerd. Afgedankte batterijen en afgedankte elektrische en elektronische apparatuur moeten gescheiden ingezameld en afgevoerd worden. Verwijder afgedankte batterijen, afgedankte accu's en verlichtingsmiddelen uit de apparatuur voordat u deze afvoert. Informeer bij uw gemeente of bij uw vakhandelaar naar recyclingbedrijven en inzamelpunten. Al naargelang de lokaal van toepassing zijnde voorschriften kunnen detailhandelaren verplicht zijn om afgedankte batterijen, afgedankte elektrische en elektronische apparatuur kosteloos terug te nemen. Geef uw afgedankte batterijen, afgedankte elektrische en elektronische apparatuur af voor recycling en help zo mee om de behoeften aan grondstoffen te verminderen. Afgedankte batterijen (vooral lithium-ion-batterijen), afgedankte elektrische en elektronische apparatuur bevatten waardevolle, recyclebare materialen die, mits ze niet milieuvriendelijk worden afgevoerd, negatieve gevolgen kunnen hebben voor het milieu en uw gezondheid. Verwijder persoonlijke gegevens van uw afgedankte apparatuur voordat u deze afvoert.
	Toebehoren - Wordt niet meegeleverd. Is apart leverbaar. Zie hiervoor het toebehorenprogramma.
	Nullastoerental
	Aantal slagen
	Spanning
	Gelijkstroom
	Europees symbool van overeenstemming
	Britse conformiteitsmarkering
	Oekraïens symbool van overeenstemming
	Euro-Aziatisch symbool van overeenstemming

TEKNISCHE DATA

	M12 FID2
Type	Akku slagskruenøgle
Produktionsnummer	4812 94 01 XXXXXX MJJJJ
Udskiftningsbatteriets spænding	12 V ---
No-load-speed mode 1 / 2 / 3 /	0–1700 / 0–2900 / 0–3600 / 0–3600 min ⁻¹
Maks. slagvastighed	0–4000 min ⁻¹
Maks. drejningsmoment	170 Nm
Værktøjsholder	1/4" (6mm) HEX
Maksimal skruestørrelse / møtrikstørrelse	M14
Vægt svarer til EPTA-procedure 01/2014 (2,0...6,0 Ah)	0,91...1,1 kg
Anbefalet temperatur under arbejdet	-18...+50 °C
Anbefalede batterityper	M12B...
Anbefalede opladere	M12-18C, M12-18AC, M12-18FC, C12C
Støjinformation: Måleværdier beregnes iht. EN 62841. Værktøjets A-vurderede støjniveau er typisk: Lydrykniveau / Usikkerhed K Lydeffekt niveau / Usikkerhed K	99,25 dB(A) / 3 dB(A) 110,25 dB(A) / 3 dB(A)
Vibrationsinformation: Samlede vibrationsværdier (værdisum for tre retninger) beregnet iht. EN 62841. Vibrationseksposering a _v / Usikkerhed K	14,35 m/s ² / 1,5m/s ²

⚠ ADVARSEL!

Det vibrations- og støjmissionsniveau, der nævnes i dette oplysningsskema, er blevet målt i overensstemmelse med en standardiseret test fra EN 62841, og det kan bruges til at sammenligne ét værktøj med et andet. Det kan bruges til en foreløbig bedømmelse af eksponeringen.

Det erklærede vibrations- og støjmissionsniveau repræsenterer værktøjets primære anvendelsesformål. Det er dog sådan, at hvis værktøjet bruges til andre formål, med forskelligt tilbehør eller dårlig vedligehold, så kan vibrations- og støjmissionen variere. Det kan evt. øge eksponeringsniveauet markant i løbet af det samlede arbejdstidsrum.

En vurdering af eksponeringsniveauet ift. vibration og støj bør også tage hensyn til de tidspunkter, hvor værktøjet er slukket eller hvor det kører, men rent faktisk ikke udfører jobbet. Det kan evt. mindske eksponeringsniveauet markant i løbet af det samlede arbejdstidsrum.

Identificér yderligere sikkerhedsforanstaltninger med henblik på at beskytte brugeren mod effekten af vibration og/eller støj, som fx: vedligehold værktøjet og tilbehøret, hold hænderne varme, organisering af arbejdsmønstre.

⚠ ADVARSEL Læs alle advarselsinformationer, anvisninger, figurer og specifikationer, som følger med dette el-værktøj. En manglende overholdelse af alle nedenstående anvisninger kan medføre elektrisk stød, brand og/eller alvorlige kvæstelser.
Opbevar alle advarselshenvisninger og instrukser til senere brug.

SIKKERHEDSANVISNINGER FOR ARBEJDE MED SLAGSKRUEØGLE

Brug høreværn under slagboring. Støjen kan føre til nedsat hørelse.

Når du udfører arbejde, der indebærer en risiko for, at skruen kan ramme skjulte strømledninger, skal du holde i maskinens isolerede greb. Skruens kontakt med en spændingsførende ledning kan sætte metalliske maskindele under spænding og medføre elektrisk stød.

YDERLIGERE SIKKERHEDS- OG ARBEJDSINFORMATIONER

Brug beskyttelsesudstyr. Bær altid sikkerhedsbriller, når du arbejder med maskinen. Vi anbefaler desuden brug af personlig beskyttelsesudrustning, såsom støvmaske, sikkerhedshandsker, fast og skridsikkert skotøj, hjelm og høreværn.

Støv, som opstår under arbejdet, er ofte sundhedsfarligt og bør ikke trænge ind i kroppen. Benyt egnet åndedrætsværn.

Der må ikke bearbejdes nogen materialer, der kan udgøre en sundhedsrisiko (f.eks. asbest).

Sluk straks for maskinen, hvis indsatsværktøjet er blokeret! Tænd ikke for maskinen igen, så længe indsatsværktøjet er blokeret; dette kan føre til et tilbageslag med højt reaktionsmoment. Find frem til og afhjælp årsagen til indsatsværktøjets blokering under hensyntagen til sikkerhedsinstruktionerne.

Mulige årsager hertil kan være:

- at det sidder i klemme i emnet der bearbejdes
- at det har brækket materialet der bearbejdes
- at el-værktøjet er overbelastet

Grib ikke ind i maskinen, når den kører.

Indsatsværktøjet kan blive varmt under brugen.

ADVARSEL! Fare for forbrændinger

- ved værktøjsskift
- når man lægger maskinen fra sig

Spåner eller splinter må ikke fjernes, medens maskinen kører.

Ved arbejdsboring i væg, loft eller gulv skal man passe på elektriske kabler, gas- og vandledninger.

Sørg for at sikre dit emne med en spændeanordning. Ikke sikrede emner kan forårsage alvorlige kvæstelser og beskadigelser.

Ved arbejde inden i maskinen, bør batteriet tages ud.

Opbrugte udskiftningsbatterier må ikke brændes eller kasseres sammen med alm. husholdningaffald. Milwaukee har en miljørigtig bortskafling af gamle udskiftningsbatterier, henvend Dem til Deres forhandler.

Opbevar ikke udsiftningsbatterier sammen med metalgenstande af fare for kortslutning.

Brug kun M12 ladeapparater for opladning af System M12 batterier.

Udsiftningsbatterier og opladere må ikke åbnes og skal opbevares i tørre rum. Beskyt dem mod fugtighed.

I tilfælde af en ekstrem belastning eller ekstrem temperatur kan der flyde batterivæske ud af et beskadiget batteri. Hvis De kommer i berøring med batterivæsken, skal den vaskes godt og grundigt af med vand og sæbe. I tilfælde af øjenkontakt, skal man mindst skylle øjnene godt og grundigt igennem i 10 minutter og omgående opsøge en læge.

Advarsel! For at undgå risiko for brand, kvæstelser eller beskadigelse af produktet forårsaget af kortslutning må værktøjet, batteripakken eller opladeren ikke nedsænkes i vand. Sørg ligeledes for, at der ikke trænger væske ind i enhederne og batterierne. Korroderende eller ledende væsker, f.eks. saltvand, bestemte kemikalier, blegestoffer eller produkter, som indeholder blegestoffer, kan forårsage kortslutning.

TILTÆNKT FORMÅL

Akku-slagnøglen kan anvendes til mange forskellige formål til at fastspænde og løsne skruer og møtrikker uafhængig af en nettilslutning.

Produktet må ikke anvendes på anden måde og til andre formål end foreskrevet.

RESTRISICI

Selv ved korrekt brug kan alle restrisici ikke udelukkes. Brugen kan medføre følgende farer, som operatøren bør være særlig opmærksom på:

- Kvæstelser, som forårsages af vibration. Hold maskinen fast i de dertil beregnede greb og begræns arbejds- og ekspositionstiden.
- Støjbelastning kan medføre høreskader. Brug høreværn og begræns ekspositionstiden.
- Øjensskader på grund af snavspartikler. Brug altid beskyttelsesbriller, faste lange bukser, handsker og fast fodtøj.
- Indånding af giftigt støv.

IBRUGTAGNING

Bemærk: Når tilspændingsmomentet er fastgjort, anbefales det altid at kontrollere med en momentnøgle.

Tilspændingsmomentet påvirkes af talrige faktorer, herunder de følgende.

- Batteriets ladetilstand - Når batteriet er afladt, falder spændingen og tilspændingsmomentet reduceres.
- Omdrejningstal - Brugen af værktøjet ved lavere hastighed fører til et lavere tilspændingsmoment.
- Fastgørelsesposition - Den måde, hvorpå du holder værktøjet eller fastgørelseselementet, påvirker tilspændingsmomentet.
- Dreje-/stikindsats - Brugen af en dreje- eller stikindsats med en forkert størrelse eller brugen af ikke slagfast tilbehør reducerer tilspændingsmomentet.
- Brug af tilbehør og forlængelser - Alt efter tilbehør eller forlængelse kan slagnøglen tilspændingsmoment blive reduceret.
- Skrue/møtrik - Tilspændingsmomentet kan variere alt efter skrue-/møtrikkens diameter, længde og styrkeklasse.
- Fastgørelseselementernes tilstand - Tilsmudsede, korroderede, tørre eller smurte fastgørelseselementer kan påvirke tilspændingsmomentet.
- Delene, som skal skrues sammen - Styrken på de dele, som skal skrues sammen, og hver komponent derimellem (tør eller smurt, blød eller hård, skive, pakning eller spændeskive) kan påvirke tilspændingsmomentet.

INDBYGNINGSTEKNIKKER

I jo længere tid en bolt, en skrue eller en møtrik belastes med slagnøglen, jo mere strammes den.

For at undgå skader på fastgørelsesmidlerne eller emnerne skal en unødigt slagtid undgås.

Vær især forsigtig, når du arbejder med mindre fastgørelsesmidler, idet de skal bruge færre slag for at opnå et optimalt tilspændingsmoment.

Øv med forskellige fastgørelseselementer og husk den tid, som det tager dig at opnå det ønskede tilspændingsmoment. Kontrollér tilspændingsmomentet med en manuel momentnøgle.

Hvis tilspændingsmomentet er for højt, skal slagtiden reduceres.

Hvis tilspændingsmomentet ikke er tilstrækkeligt, skal slagtiden øges.

Olie, snavs, rust eller andre urenheder på gevindene eller under fastgørelsesmidlets hoved påvirker tilspændingsmomentets højde.

Det drejningsmoment, som er nødvendigt til at løsne et fastgørelsesmiddel, ligger i gennemsnit på 75 % til 80 % af tilspændingsmomentet, afhængigt af kontaktfladernes tilstand.

Udfør let indbygningsarbejde med et relativt lavt tilspændingsmoment og brug en manuel momentnøgle til at stramme med til sidst.

DRIVE CONTROL



Drive Control-tasten bruges til at justere omdrejningshastigheden (min⁻¹).

Når maskinen er indstillet til pladeskruer , kører maskinen med højeste omdrejningstal, indtil skruen er skruet i. Derefter reduceres omdrejningshastigheden for bedre kontrol, indtil skruen er forsænket helt i materialet.

BEMÆRKNINGER VEDRØRENDE LI-ION-BATTERIER

Brug af Li-ion-batterier

Batterier, der ikke har været brugt i længere tid, efterlades inden brug.

Ved temperaturer over 50°C formindskes batteriets effekt. Undgå direkte sollys og stærk varme.

Tilslutningskontakterne på oplader og batteri skal holdes rene.

For at opnå en optimal levetid skal de genopladelige batterier oplades fuldt efter brug.

For at sikre en så lang levetid som muligt skal batterierne tages ud af opladeren, når de er fuldt opladet.

Skal batterierne opbevares længere end 30 dage: Temperatur ca. 27°C i tørre omgivelser.

Opbevares ved ca. 30%-50% af ladetilstanden. Batteri skal genoplades hver 6. måned.

Overbelastningsbeskyttelse vedrørende Li-Ion-batterier

Overbelastes batteriet på grund af meget højt strømforbrug, f.eks. som følge af ekstremt høje drejningsmomenter, pludseligt stop eller kortslutning, vibrerer el-værktøjet i 5 sekunder, ladeindikatoren blinker, og el-værktøjet slukker af sig selv.

For at tænde igen slippes trykknappen, hvorefter du tænder el-værktøjet igen. Ved ekstreme belastninger bliver batteriet for varmt. I så fald blinker alle lamper på ladeindikatoren, indtil batteriet er kølet af. Når ladeindikatoren går ud, kan arbejdet genoptages.

Transport af Li-ion-batterier

Lithium-batterier er omfattet af lovgivningen om transport af farligt gods.

Transporten af disse batterier skal ske under overholdelse af lokale, nationale og internationale regler og bestemmelser.

- Forbrugere må transportere disse batterier på veje uden yderligere krav.
- Den kommercielle transport af lithium-batterier ved speditjonsfirmaer er omfattet af reglerne for transport af farligt gods. Forberedelsen af forsendelse og transport må kun udføres af tilsvarende trænedede personer. Den samlede proces skal følges af fagfolk.

Følgende punkter skal overholdes ved transport af batterier:

- Sørg for at kontakterne er beskyttet og isoleret for at forhindre kortslutninger.
- Sørg for at batteripakken ikke kan bevæge sig inden for emballagen.
- Beskadigede eller lækkende batterier må ikke transporteres.

Kontakt dit speditjonsfirma for at få yderligere oplysninger.

RENGØRING

Hold altid maskinens ventilationsåbninger rene.

VEDLIGEHOLDELSE

Brug kun Milwaukee-tilbehør og Milwaukee-reservedele. Komponenter, hvor udsiftningsproceduren ikke er beskrevet, skal skiftes ud hos et Milwaukee-servicested (se brochure garanti/kundeserviceadresser).

Hvis det er nødvendigt, kan der bestilles en sprængskitse af værktøjet. Angiv herved venligst maskintypen samt det seksificerede nummer på mærkepladen og bestil tegningen hos din lokale kundeserviceafdeling eller direkte hos Techtronic Industries GmbH, Max-Eyth-Straße 10, 71364 Winnenden, Tyskland.

SYMBOLER

	Læs brugsanvisningen nøje før ibrugtagning.
	VIGTIGT! ADVARSEL! FARE!
	Ved arbejde inden i maskinen, bør batteriet tages ud.
	Udtjente batterier, affald af elektrisk og elektronisk udstyr må ikke bortskaffes sammen med husaffald. Udtjente batterier, affald af elektrisk og elektronisk udstyr skal indsamles og bortskaffes særskilt. Fjern udtjente batterier, udtjente akkumulatører og lysmidler fra udstyret, inden det bortskaffes. Spørg efter genbrugsstationer og indsamlingssteder hos de lokale myndigheder eller din fagforhandler. Alt efter de lokale bestemmelser kan detailhandlere være forpligtede til gratis at tage brugte batterier, affald af elektrisk og elektronisk udstyr tilbage. Bidrag til at nedbringe behovet for råmaterialer ved at genbruge og genanvende dine udtjente batterier, affald af elektrisk og elektronisk udstyr. Udtjente batterier (især lithium-ion-batterier), affald af elektrisk og elektronisk udstyr indeholder værdifulde, genanvendelige materialer, som kan have en negativ effekt på miljøet og dit helbred ved ikke miljørigtig bortskaffelse. Slet inden bortskaffelsen personrelaterede data, som måtte finde sig på dit affald af udstyret.
	Tilbehør - Ikke inkluderet i leveringsomfanget, køb købes som tilbehør.
	Tomgangshastighed
	Slagtal
	Spænding
	Jævnstrøm
	Europæisk konformitetsmærke
	Britisk overensstemmelsesmærkning
	Ukrainsk konformitetsmærke
	Eurasisk konformitetsmærke

TEKNISKE DATA	M12 FID2
Type	Batteridrevet slagskrutrekker
Produksjonsnummer	4812 94 01 XXXXXX MJJJJ
Spenning vekselbatteri	12 V ---
Tomgangs-turtallsområder 1 / 2 / 3 / 4	0–1700 / 0–2900 / 0–3600 / 0–3600 min ⁻¹
Maks. slagrate	0–4000 min ⁻¹
Maks. tiltrekningsmoment	170 Nm
Verktøyholder	1/4" (6mm) HEX
Maksimale skruetørrelse / muttertørrelse	M14
Vekt i henhold til EPTA-Proseduren 01/2014 (2,0...6,0 Ah)	0,91...1,1 kg
Anbefalt omgivelsestemperatur under arbeid	-18...+50 °C
Anbefalte batterityper	M12B...
Anbefalte ladere	M12-18C, M12-18AC, M12-18FC, C12C
Støyinformasjon:	
Måleverdier fastslått i samsvar med EN 62841.	
Det typiske A-bedømte støynivået for maskinen er:	
Lydtrykknivå / Usikkerhet K	99,25 dB(A) / 3 dB(A)
Lydeffektnivå / Usikkerhet K	110,25 dB(A) / 3 dB(A)
Bruk hørselsvern!	
Vibrasjonsinformasjoner:	
Totale svingningsverdier (vektorsum fra tre retninger) beregnet jf. EN 62841.	
Svingningsemissjonsverdi a _h / Usikkerhet K	14,35 m/s ² / 1,5m/s ²

ADVARSSEL!

De angitte vibrasjonseksposering- og støyivåverdiene har blitt målt i samsvar med standardiserte måleprosedyrer i henhold til EN 62841 og kan brukes til å sammenligne et verktøy med et annet. De kan brukes til en foreløpig eksponeringsvurdering.

De angitte vibrasjonseksposering- og støyemisjonsverdiene gjelder for vanlig bruk av verktøyet. Dersom verktøyet blir brukt til noe annet, sammen med annet utstyr eller er dårlig vedlikeholdt kan de angitte vibrasjonseksposering- og støyeverdiene variere. Dette kan øke eksponerings- og emisjonsverdiene betraktelig for hele perioden du bruker verktøyet.

Når en vurderer vibrasjonseksposeringsnivået og støyeverdi må en inkludere den perioden som verktøyet er slått av eller når verktøyet går, men ikke direkte brukes til noe. Dette kan redusere eksponeringsnivået betraktelig over hele perioden som verktøyet er i bruk.

Det er viktig å etablere ytterligere sikkerhetstiltak for å beskytte brukeren mot påvirkning av vibrasjon og/eller støy, slik som: vedlikehold av verktøyet og tilleggsutstyr, hold hendene varme, organiserte arbeidsrutiner.

ADVARSSEL! Les gjennom alle sikkerhetsadvvarsler, anvisninger, illustrasjoner og spesifikasjoner for dette elektroverktøyet. Feil ved overholdelsen av advarslene og nedenstående anvisninger kan medføre elektriske støt, brann og/eller alvorlige skader.

Ta godt vare på alle advarslene og informasjonene.

SIKKERHETSINSTRUKSER FOR SLAGSKRUTREKKER

Bruk hørselsvern ved bruk av slagboret. Støy kan føre til tap av hørselen.

Hold apparatet i de isolerte holdeflatene, når arbeid utføres hvor skruen kan treffe skjulte strømledninger. Kontakt av skruen med en strømførende ledning kan sette apparatets metalldele under spenning og føre til elektrisk slag.

YTTERLIGE SIKKERHETS- OG ARBEIDSINSTRUKSJONER

Bruk vernebekledning. Ta alltid på vernebrille ved bruk av maskinen. Vernebekledning så vel som støvmaske, vernehansker, fast og sklisikkert skotøy, hjem og hørselsvern er anbefalt.

Støvet som oppstår ved arbeidet er ofte helsefarlig og skal ikke komme i kontakt med kroppen. Bruk derfor vernemaske som er egnet for støv.

Materiale som er helsefarlig skal ikke bearbeides (f.eks. asbest)

Slå av apparatet med en gang dersom det isatte verktøyet

er blokkert! Ikke slå apparatet på igjen så lenge det isatte verktøyet er blokkert; her kan det oppstå et tilbakslag med høyt reaksjonsmoment. Finn ut hvorfor det isatte verktøyet blokkerer og fjern årsaken til dette. Ta herved hensyn til sikkerhetsinstruksene.

Mulige årsaker til dette kan være:

- det har forkantet seg i arbeidsemnet som bearbeides
- det har brekket igjennom materialet som bearbeides
- elektroverktøyet er overbelastet

Ikke grip inn i maskinen når den står på og går.

Isatt verktøy kan i bruk bli veldig varmt.

ADVARSSEL! Fare for forbrenning

- ved skifting av verktøy
- når apparatet legges ned

Spon eller filser må ikke fjernes mens maskinen er i gang.

Pass på kabler, gass- og vannledninger når du arbeider i vegger, tak eller gulv.

Klem fast arbeidsemnet med en spenninnetning. Ikke sikre arbeidsemner kan ha alvorlige helseskader og skader av material til følge.

Ta ut vekselbatteriet før du arbeider på maskinen

Ikke kast brukte vekselbatterier i varmen eller husholdningsavfallet. Milwaukee tilbyr en miljøriktig deponering av gamle vekselbatterier; vennligst spør din fagforhandler.

Ikke oppbevar vekselbatterier sammen med metallgjenstander (kortslutningsfare).

Vekselbatterier av systemet M12 skal kun lades med lader av systemet M12. Ikke lad opp batterier fra andre systemer.

Ikke åpne vekselbatterier og ladere, de skal oppbevares i

tørre rom. Beskyttes mot fuktighet.

Under ekstreme belastninger og ekstreme temperaturer kan det lekke ut batterivæske fra utskiftbare batterier. Ved berøring med batterivæske, vask umiddelbart med såpe og vann. Ved kontakt med øynene må øynene skylles grundig i rennende vann i minst 10 minutter. Oppsøk lege umiddelbart.

Advarsel! For å unngå fare for en brann forårsaket av en kortslutning, av personskader eller skader av produktet, må det forhindres at batteripakken eller laderen dyppes i væsker og også sørges for at ingen væsker kan komme inn i apparatene eller batteriene. Korroderende og ledende væsker som saltvann, visse kjemikalier og blekemidler eller produkt som inneholder blekemidler kan forårsake en kortslutning.

FORMALSMESSIG BRUK

Den oppladbare slagtrekkeren kan brukes universelt til å feste og å løse skruer og muttere uavhengig av en nettforbindelse (støm).

Dette apparatet må kun brukes til de oppgitte formål.

RESTRISIKOER

Også ved sakkyndig bruk kan ikke alle restrisikoer utelukkes. Ved bruk kan følgende farer oppstå og som bruker spesielt skulle ta hensyn til:

- Skader forårsaket av vibrasjon. Hold alltid apparatet i håndtakene som er konstruert for dette og begrens arbeids- og eksponeringstiden.
- Støy kan føre til hørselsskader. Bruk hørselsvern og begrens eksponeringens varighet.
- Øyeskader forårsaket av smusspartikler. Bruk alltid vernebriller, solide langbukser, hansker og stødige sko.
- Innånding av giftig støv

BETJENING

Merk: Vi anbefaler at tiltrekningsmomentet alltid kontrolleres med en momentnøkkel etter at festet er avsluttet.

En rekke faktorer har sin innvirkning på tiltrekningsmomentet, inkludert de følgende:

- Batteriets ladetilstand - Når batteriet er utladet, synker spenningen og tiltrekningsmomentet blir redusert.
- Turtall - Bruken av verktøyet ved lav hastighet fører til et lavere tiltrekningsmoment.
- Festeposisjon - måten du holder verktøyet eller festelementet på, har innflytelse på tiltrekningsmomentet.
- Dreie-/plugginnsats - Bruken av en dreie- eller plugginnsats med feil størrelse eller bruk av tilbehør som ikke er slagfast reduserer tiltrekningsmomentet.
- Bruk av tilbehør og forlengelser - Avhengig av tilbehør eller forlengelser kan tiltrekningsmomentet til slagskrunkjelen reduseres.
- Skruemutter - Tiltrekningsmomentet kan variere, avhengig av skrueens diameter, lengde og fasthetsklasse.
- Festelementenes tilstand - festelementer som er forurenset, korroderte, tørre eller smurte kan ha innflytelse på tiltrekningsmomentet.
- Delene som skal skrues sammen - Fastheten til delene som skal skrues sammen og hvert element mellom dem (tørre eller smurte, myke eller harde, skive, tetning eller underlagsskive) kan ha innflytelse på tiltrekningsmomentet.

Innskruingsteknikk

Jo lenger en bolt, en skruer eller en mutter belastes med slagskrunkjelen, desto fastere blir den skrudd til.

For å unngå at det oppstår skader på festeelementene eller arbeidsstykkene, må en for lang slagtid unngås.

Vær spesielt forsiktig når du innvirker på mindre

festelementer, da disse trenger færre slag for å oppnå et optimalt tiltrekningsmoment.

Øv med forskjellige festelementer og merk deg tiden du trenger for å oppnå ønsket tiltrekningsmoment.

Kontroller tiltrekningsmomentet med en manuell momentnøkkel.

Dersom tiltrekningsmomentet er for høyt, må du redusere slagtiden.

Dersom tiltrekningsmomentet ikke er tilstrekkelig, må du øke slagtiden.

Olje, smuss, rust eller annen forurenning på gjengene eller under hodet til festeelementet har innflytelse på tiltrekningsmomentets høyde.

Dreiementet som behøves for å løse et festeelement er gjennomsnittlig 75 % til 80 % av tiltrekningsmomentet, avhengig av kontakflatenes tilstand.

Utfør lette arbeider til innskruing med et relativt lavt tiltrekningsmoment og bruk en manuell momentnøkkel til å utføre den endelige strammingen.

DRIVKRAFTREGULERING



Kappen til drivkraftreguleringen tjener til applikasjonsavhengig innstilling av turtallet (min⁻¹).

I blikkskruemodus går apparatet med maksimalt turtall inntil skruen er skrudd inn. Derefter reduseres turtallet for å oppnå bedre kontroll inntil skruen er sunket fullstendig ned i arbeidsstykket.

INFORMASJON SOM GJELDER LI-ION BATTERIPAKKER

Bruk av Li-Ion batteripakker

Batterier som ikke er brukt over lengre tid skal etterlades før bruk.

En temperatur over 50°C reduserer batteriets kapasitet. Unngå oppvarming i sol eller ved varmeovner (fyring) i lengre tid.

Hold koblingskontaktene på lader og batteripakke rene.

For optimal holdbarhet må batteriene lades opp helt etter bruk.

For å oppnå en så lang brukstid som mulig, bør batteripakkene fjernes fra laderen etter opplading.

Ved lagring av batteriene lengre enn 30 dager:

Lagre batteriet tørt ved ca. 27°C.

Lagre batteriet ved en oppladningstilstand på ca. 30%-50%.

Lade opp batteriet igjen etter 6 måneder.

Overlastvern i Li-Ion batteripakker

Ved overbelastning av det oppladbare batteriet p.g.a. svært høyt strømforbruk; f.eks. ekstrem høye dreiemoment, plutselig stopp eller kortslutning, vibrert elektroverktøyet 5 sekunder, displayet for opplading blinker og elektroverktøyet utkobler seg automatisk.

For gjeninnkobling, slipp løs bryteren og slå på igjen.

Ved ekstreme belastninger opphører det oppladbare batteriet seg for sterkt. I slike tilfeller blinker alle lampene på displayet til batteriet er avkjølt. Når lampene har sluttet å blinke, kan man fortsette å arbeide.

Transport av Li-Ion batteripakker

Litium-ion-batterier faller under de lovbestemte forskriftene om transport av farlig gods.

Transporten av disse batteriene må rette seg etter lokale, nasjonale og internasjonale forskrifter og bestemmelser.

- Forbruker har lov å transportere disse batteriene på gaten uten reglementering.

- Den kommersielle transport av Litium-ion-batterier av spedisjonsfirma faller under bestemmelsene om transport av farlig gods. Forberedningene for forsendelsen og transport skal utelukke gjennomførelse av personer som

har blitt skolert til dette. Hele prosessen skal følges opp av fagfolk.

Følgende punkter skal tas hensyn til ved transport:

- Kontroller at kontaktene er beskyttet og isolert for å unngå kortslutninger.
- Pass på at batteripakken i forpakningen ikke kan skli fram og tilbake.
- Skadede eller batterier som lekker er det ikke lov å transportere.

Ta kontakt med spedisjonsfirma for ytterlige henvisninger.

RENGJØRING:

Hold alltid luftenåpningene på maskinen rene.

VEDLIKEHOLD

Bruk kun Milwaukee tilbehør og Milwaukee reservedeler. Komponenter der utskifting ikke er beskrevet skal skiftes ut hos Milwaukee kundeservice (se brosjyre garanti/kundeserviceadresser).

Ved behov kan det fås en eksplosjonstegning av apparatet hos kundeservice eller direkte hos Techtronic Industries GmbH, Max-Eyth-Straße 10, 71364 Winnenden, Germany ved angivelse av maskinens type og det sekstallige nummeret på maskinens skilt.

SYMBOLER



Les nøye gjennom bruksanvisningen før maskinen tas i bruk.



OBS! ADVARSEL! FARE!



Ta ut vekselbatteriet før du arbeider på maskinen



Elektrisk og elektronisk avfall skal ikke avfallshåndteres sammen med husholdningsavfallet. Brukte batterier, elektrisk og elektronisk avfall skal samles kildesortert og avfallshåndteres.

Fjern brukte batterier, akkumulatører og lysmidler fra apparatene før de kasseres. Be om informasjon hos de lokale myndighetene eller hos din fagforhandler om miljøstasjoner og samlesteder.

Avhengig av de lokale bestemmelsene kan detaljhandlere være forpliktet til å ta tilbake brukte batterier, elektrisk og elektronisk avfall uten kostnader.

Bidra til å redusere behovet for råmaterialer ved å sørge for gjenbruk og resirkulering av dine brukte batterier og ditt elektriske og elektroniske avfall.

Brukte batterier (særlig litium-ion-batterier), elektrisk og elektronisk avfall inneholder verdifulle, gjenbrukbare materialer som ved ikke-miljøriktig avfallshåndtering kan ha negative konsekvenser for miljøet og din helse. Slett først eventuelle personrelaterte data fra det brukte apparatet før det avfallshåndteres.

Tilbehør - inngår ikke i leveransen, anbefalt komplettering fra tilbehørsprogrammet.



n

IPM

v



Tomgangsturtall

Slagttall

Spenning

Likestrøm



Europeisk samsvarsmerke



Britisk samsvarsmerke



Ukrainisk samsvarsmerke



Euroasiatisk samsvarsmerke

TEKNISKA DATA

M12 FID2	
Typ	Batteridreven slagskruvdragare
Produktionsnummer	4812 94 01 XXXXXX MJJJJ
Batterispänning	12 V ---
Varvtalsområde tomgång 1 / 2 / 3 /	0–1700 / 0–2900 / 0–3600 / 0–3600 min ⁻¹
Max. antal slag	0–4000 min ⁻¹
Max. åtdragningsmoment	170 Nm
Verktvginfästninge	1/4" (6mm) HEX
Maximal skruv- respektive mutterstorlek	M14
Vikt enligt EPTA 01/2014 (2,0...6,0 Ah)	0,91...1,1 kg
Rekommenderad omgivningstemperatur vid arbete:	-18...+50 °C
Rekommenderade batterityper	M12B...
Rekommenderade laddare	M12-18C, M12-18AC, M12-18FC, C12C

Bullerinformation: Måtvärdena har tagits fram baserade på EN 62841.

A-värdet av maskinens ljudnivå utgår:

Ljudtrycksnivå / Onoggrannhet K

99,25 dB(A) / 3 dB(A)

Ljudeffektsnivå / Onoggrannhet K

110,25 dB(A) / 3 dB(A)

Använd hörselskydd!

Vibrationsinformation: T

otala vibrationsvärden (vektorsumma ur tre riktningar)

framtaget enligt EN 62841.

Vibrationsemissionsvärde a_h / Onoggrannhet K

14,35 m/s² / 1,5m/s²

! VARNING!

De deklarerade vibrations- och bullernivåerna på detta informationsblad har uppmätts i enlighet med en standardiserad testmetod enligt EN 62841 och kan användas för att jämföra ett verktyg med ett annat. Det kan användas för en preliminär bedömning av exponeringen.

Den angivna vibrations- och bullernivån representerar verktygets huvudsakliga tillämpningar. Om verktyget emellertid används för olika tillämpningar, med olika eller dåligt underhållna tillbehör, kan vibrations- och bullerutsläppet variera. Detta kan öka exponeringsnivån avsevärt över den totala arbetsperioden.

En uppskattning av exponeringsnivån för vibrationer och buller bör även ta hänsyn till de tider då verktyget är avstängt eller när det körs utan att faktiskt arbeta. Detta kan avsevärt minska exponeringsnivån över den totala arbetsperioden.

Identifiera ytterligere sikkerhetsåtgärder for att skydda operatøren mot effektene av vibrationer og/eller buller såsom: underhåll av verktyget och tillbehören, hålla händerna varma, organisation av arbetsmönster.

! VARNING! Läs noga igenom alla säkerhetsanvisningar, illustrationer och specifikationer som medfølger dette elverktøy. Fel som oppstår till följd av att anvisningarna nedan inte följts kan orsaka elstöt, brand och/eller allvarliga kroppsskador.
Förvara alla varningar och anvisningar för framtida bruk.

SÄKERHETSINSTRUKTIONER FÖR SLAGSKRUVDRAGARE

Använd alltid hörselskydd när du använder en slagbormmaskin. Buller kan leda till att du förlorar hörseln.

Håll apparaten i de isolerade greppytorna när ni utför arbeten där skruven kan träffa dolda elkablar. Skruvens kontakt med en strömförande ledning kan sätta apparatdelar av metall under spänning och leda till elektrisk stöt.

ÖVRIGA SÄKERHETS- OCH ANVÄNDNINGSSINSTRUKTIONER

Använd skyddsutrustning. Använd alltid skyddsglasögon när du använder maskinen. Som skyddsutrustning rekommenderar vi t ex en dammskyddsmask, skyddshandskar, stabila och halksäkra skor, hjälm och hörselskydd.

Det damm som bildas under arbetets gång är ofta hälsofarligt och det ska inte komma in i kroppen. Bär därför lämplig skyddsmask.

Det är inte tillåtet att bearbeta material som kan vara hälsovådligt (t.ex. asbest).

Stäng av maskinen omedelbart om ett verktyg som används

sitter fast! Sätt sedan in på maskinen igen så länge som verktyget som används fortfarande sitter fast; risk för okontrollerade slag med högt reaktionsmoment. Ta reda på orsaken varför verktyget fastnade och åtgärda orsaken med hänsyn till säkerhetsanvisningarna.

Möjliga orsaker kan vara:

- Verktyget sitter snett i arbetsstycket
- Verktyget går igenom materialet som bearbetas
- Elverktöget är överbelastat

Gå aldrig med händerna in i en maskin som är igång.

Verktyget som används kan bli mycket varmt under användningen.

! VARNING! Risk för brännskador

- vid verktygsbyte
- när man lägger ifrån sig maskinen

Avlägsna aldrig spån eller flisor när maskinen är igång.

Vid arbetenborring i vägg, tak eller golv, var alltid observant på befintliga el-, gas- eller vattenledningar.

Säkra arbetsstycket med en fastspänningsanordning. Arbetsstycken som inte är ordentligt fastspända kan leda till allvarlig kroppsskada eller annan skada.

Drag ur batteripaket innan arbete utföres på maskinen.

Kasta inte förbrukade batterier. Lämna dem till Milwaukee Tools för återvinning.

Förvara ej batteriet ihop med metallföremål, kortslutning kan uppstå.

System M12 batterier laddas endast i System M12 laddare. Ladda inte batterier från andra system.

Batterier lagras torrt och skyddas för fukt.

Under extrem belastning eller extrem temperatur kan

batterivätska tränga ut ur skadade utbytesbatterier. Vid beröring med batterivätska tvätta genast av med vatten och tvål. Vid ögonkontakt spola genast i minst 10 minuter och kontakta genast läkare.

Varning! För att undvika den fara för brand, personsador eller produktsador som orsakas av en kortslutning, doppa inte ner verktyget, utbytesbatteriet eller laddaren i vätskor och se till att ingen vätska kan tränga in i apparaterna eller batterierna. Korroderande eller ledande vätskor, som saltvatten, vissa kemikalier, blekningsmedel eller produkter som innehåller blekmedel, kan orsaka en kortslutning.

ANVÄND MASKINEN ENLIGT ANVISNINGARNA

Denna sladdlösa och laddningsbara slagskruvdragare kan användas universellt både för att ta loss och skruva i skruvar och muttrar helt oberoende av en elanslutning.

Maskinen får endast användas för angiven tillämpning.

KVARSTÅENDE RISKER

Även vid föreskriftsenlig användning kan inte alla restriker uteslutas. Vid användning kan följande faror, på vilka användaren måste vara särskilt uppmärksam:

- Personskador orsakade av vibration. Håll fast maskinen i de därför avsedda handtagen och begränsa arbets- och exponeringstiden.
- Bullerbelastning kan leda till hörselskador. Bär hörselskydd och begränsa exponeringstiden.
- Ögonskador orsakade av smutspartiklar. Använd alltid skyddsglasögon, stabila långbyxor, handskar och stabila skor.
- Inandning av giftigt damm.

ANVÄNDNING

OBS: Det rekommenderas att alltid kontrollera åtdragningsmomentet med en momentnyckel efter fastsättningen.

Åtdragningsmomentet påverkas av många faktorer bland annat av dessa:

- Batteriets laddningstillstånd - Om batteriet är urladdat så faller spänningen och åtdragningsmomentet reduceras.
- Varvtalen - Om verktyget används med låg hastighet så reduceras åtdragningsmomentet.
- Fastsättningspositionen - Sättet på vilket du håller verktyget eller fästankordningen påverkar också åtdragningsmomentet.
- Vrid-/insticksinsatsen - Om man använder en vrid- eller insticksinsats i fel storlek eller om man använder tillbehör som inte är stötsäkert reduceras åtdragningsmomentet.
- Användningen av tillbehör och skarvdetaljer - Beroende på vilket tillbehör och vilka skarvdetaljer som används så kan slagskruvdragarens åtdragningsmoment reduceras.
- Skruvar/muttrar - Åtdragningsmomentet kan variera beroende på skruvarnas/muttrarnas diameter, längd och hållfasthetsklass.
- Fästelementens tillstånd - Nedsmutsade, korroderade, torra eller smorda fästankordningar kan påverka åtdragningsmomentet.
- Delarna som ska skruvas ihop - Hållfastheten på delarna som ska skruvas ihop och på varje komponent däremellan (torra eller smorda, mjuka eller hårda, tätning eller mellanläggsbricka) kan påverka åtdragningsmomentet.

ISKRUVNINGSMETODER

Ju längre en bult, en skruv eller en mutter belastas med slagskruvdragaren desto mer dras den åt.

För att förhindra att fästmaterialet eller arbetsstycket tar skada bör du undvika onödigt långa slagtider.

Var extra försiktig om du använder fästmaterial i mindre storlek eftersom dessa behöver ett färre antal slag för ett optimalt åtdragningsmoment.

Träna först med olika fästelement och kom sedan ihåg den tid som du behövt för att uppnå det önskade åtdragningsmomentet.

Kontrollera åtdragningsmomentet med en manuell momentnyckel.

Reducera slagtiden om åtdragningsmomentet är för stort.

Öka slagtiden om åtdragningsmomentet inte räcker.


Även olja, smuts, rost och andra föroreningar på gångor eller under skallen på fästmaterialet påverkar åtdragningsmomentet.

Vridmomentet som behövs för att lossa fästmaterialet är i genomsnitt 75 % till 80 % av åtdragningsmomentet beroende på kontaktytorernas tillstånd.

Använd ett relativt litet åtdragningsmoment för enklare iskruvningsarbeten och använd sedan en manuell momentnyckel för den slutgiltiga åtdragningen.

MOTORSTYRNING

 Knappen för motordrivningen används för att ställa in varvtalet i förhållande till den aktuella användningen (min⁻¹).

I funktionen för plåskruvar  går apparaten med maximalt varvtal ända tills skruven är iskruvad. Sedan sänks varvtalet för bättre kontroll tills skruven är helt nedsänkt i arbetsstycket.

ANVISNINGAR AVSEENDE LITIJONBATTERIER

Användning av litiumjonbatterier

Batteri som ej använts på länge måste laddas före nytt bruk.

En temperatur över 50°C reducerar batteriets effekt. Undvik längre uppvärmning tex i solen eller nära ett element.

Se till att anslutningskontaktarna i laddaren och på det uppladdningsbara batteriet.

För att batterierna ska få lång livslängd ska de laddas fulla efter användning.

För en så lång livslängd som möjligt bör de uppladdningsbara batterierna tas ut ur laddaren efter uppladdning.

Om laddningsbara batterier lagras längre än 30 dagar:

Lagra batteriet torrt och vid ca 27°C.

Lagra batteriet vid ca 30%-50% av laddningskapaciteten.

Ladda batterierna på nytt var 6:e månad.

Batteri-överbelastningskydd för litiumjonbatterier

Om det laddningsbara batteriet överbelastas genom en mycket hög strömförbrukning, t.ex. extremt höga vridmoment, ett plötsligt stopp eller en kortslutning, så vibrerar elverktyget i 5 sekunder, laddningsindikeringen blinkar och elverktyget fränkopplas automatiskt.

För att sedan sätta på elverktyget igen släpper du tryckbrytaren och tillkopplar sedan verktyget igen.

Vid en extrem belastning blir det laddningsbara batteriet för varmt. I detta fall blinkar alla lampor på laddningsindikeringen så länge tills batteriet har svalnat. När laddningsindikeringen har slocknat kan du fortsätta med arbetet.

Transportera litiumjonbatterier

För litiumjon-batterier gäller de lagliga föreskrifterna för transport av farligt gods på väg.

Därför får dessa batterier endast transporteras enligt gällande lokala, nationella och internationella föreskrifter och bestämmelser.

- Konsumenter får transportera dessa batterier på allmän väg utan att behöva beakta särskilda föreskrifter.
- För kommersiell transport av litiumjon-batterier genom en speditiionsfirma gäller emellertid bestämmelserna för transport av farligt gods på väg. Endast personal som känner till alla tillämpliga föreskrifter och bestämmelser får förbereda och genomföra transporten. Hela processen ska följas upp på fackmässigt sätt.

Följande ska beaktas i samband med transporten av batterier:

- Säkerställ att alla kontakter är skyddade och isolerade för att undvika kortslutning.
- Se till att batteripacken inte kan glida fram och tillbaka i förpackningen.
- Transportera aldrig batterier som läcker, har runnit ut eller är skadade.

För mer information vänligen kontakta din speditiionsfirma.

RENGÖRING











Se till att motorhöljets luftslitsar är rena.

SKÖTSEL

Använd endast Milwaukee-tillbehör och Milwaukee-reservdelar. Komponenter, för vilka inget byte beskrivs, skall bytas ut hos Milwaukee-kundtjänst (se broschyren garanti-/kundtjänstadresser).

Vid behov kan du rekvidrera apparatens sprängskiss antingen hos kundservicen eller direkt hos Techtronic Industries GmbH, Max-Eyth-Strasse 10, 71364 Winnenden, Germany. Du ska då ange maskintypen och numret på sex siffror som står på effektskylten.

SYMBOLER

	Läs instruktionen noga innan du startar maskinen.
	OBSERVERA! VARNING! FARA!
	Drag ur batteripaketet innan arbete utföres på maskinen.
	Förbrukade batterier och avfall som utgörs av eller innehåller elektrisk och elektronisk utrustning (WEEE) får inte slängas tillsammans med de vanliga hushållssoporna. Förbrukade batterier eller WEEE ska samlas och avfallshandteras separat. Ta ut förbrukade batterier, förbrukade ackumulatörer och ljuskällor ur produkterna innan de avfallshandteras. Kontakta den lokala myndigheten respektive kommunen eller fråga återförsäljare var det finns speciella avfallsstationer för elskrot. Beroende på de lokala bestämmelserna kan återförsäljare vara skyldiga att ta tillbaka förbrukade batterier eller WEEE gratis. Bidra till att minska behovet av råämnen genom återanvändning eller återvinning av dina förbrukade batterier eller ditt WEEE. Förbrukade batterier (i synnerhet litiumjonbatterier) och WEEE innehåller värdefulla återvinningsbara material som kan skada miljön och din hälsa om de inte avfallshandteras på korrekt sätt. Tänk på att radera eventuella personuppgifter som kan finnas på din utrustning innan du lämnar den till avfallshandlingen.
	Tillbehör - Ingår ej i leveransomfånget, erhålles som tillbehör.
	Tomgångsvarvtal
	Slagfrekvens
	Spänning
	Likström
	Europeiskt konformitetsmärke
	Brittisk symbol för överensstämmelse
	Ukrainskt konformitetsmärke
	Euroasiatiskt konformitetsmärke

pysähtymisen tai oikosulun vuoksi, niin sähkötyökalu tärisee 5 sekunnin ajan, latausnäyttö vilkkuu ja sähkötyökalu sammuu omatoimisesti.

Käynnistä laite uudelleen päästämällä katkaisupainikkeen irti ja käynnistämällä laitteen sitten uudelleen.

Erittäin suuressa kuormituksessa akku kuumenee liikaa. Tässä tapauksessa latausnäytön kaikki lamput vilkkuvat, kunnes akku on jäähtynyt. Kun latausnäyttö on sammunut, voi työtä jatkaa.

Li-ioniakkujen kuljettaminen

Litiumi-ioniakut kuuluvat vaarallisten aineiden kuljetuksesta annettujen lakien piiriin.

Näiden akkujen kuljettaminen täytyy suorittaa noudattaen paikallisia, kansallisia ja kansainvälisiä määräyksiä ja säädöksiä.

- Kuluttajat saavat ilman muuta kuljettaa näitä akkuja teitä pitkin.
- Kaupallisessa kuljetuksessa huolintaliikkeiden täytyy kuljettaa litiumi-ioniakkuja vaarallisten aineiden kuljetuksesta annettujen määräysten mukaisesti. Ainoastaan tähän vastaavasti koulutetut henkilöt saavat suorittaa kuljetuksen valmistelutoimet ja itse kuljetuksen. Koko prosessia tulee valvoa asiantuntevasti.

Seuraavat kohdat tulee huomioida akkuja kuljetettaessa:

- Varmista, että akkujen kontaktit on suojattu ja eristetty, jotta vältetään lyhytsulut.
- Huolehdi siitä, ettei akkusarja voi luiskahtaa paikaltaan pakkauksen sisällä.
- Vahingoittuneita tai vuotavia akkuja ei saa kuljettaa.

Pyydä tarkemmat tiedot huolintaliikkeeltäsi.

PUHDISTUS

Pidä moottorin ilmanottoaukut puhtaina.

HUOLTO

Käytä ainoastaan Milwaukee lisätarvikkeita ja Milwaukee varaosia. Mikäli jokin komponentti, jota ei ole kuvailtu, tarvitsee vaihtoa ota yhteys johonkin Milwaukee palvelupisteistä (kts. listamme takuuhuoltoilikkeiden/ palvelupisteiden osoitteista)

Tarvittaessa voit pyytää laitteen räjähdyspiirustuksen ilmoittaen konetyypin ja tyyppikilvessä olevan kuusinumeroisen luvun huoltopalvelustasi tai suoraan osoitteella Techtronic Industries GmbH, Max-Eyth-Strasse 10, 71364 Winnenden, Saksa.

SYMBOLIT



Lue käyttöohjeet huolellisesti, ennen koneen käynnistämistä.



HUOMIO! VAROITUS! VAARA!



Ota akku pois ennen kaikkia koneeseen tehtäviä toimenpiteitä.



Älä hävitä käytettyjä paristoja, sähkö- ja elektroniikkaromua lajittelemattomana yhdyskuntajätteenä. Käytetyt paristot sekä sähkö- ja elektroniikkaromu on kerättävä erikseen.

Käytetyt paristot, romuakut ja valonlähteet on irrotettava laitteista. Kysy paikallisilta viranomaisilta tai jälleenmyyjiltä neuvoo kierrättämiseen ja tietoa keräyspisteestä.

Paikalliset säännökset saattavat velvoittaa vähittäiskauppiat ottamaan käytetyt paristot, sähkö- ja elektroniikkaromun takaisin maksutta.

Panoksesi käytettyjen paristojen sekä sähkö- ja elektroniikkalaiteromun uudelleenkäytössä ja kierrätyksessä auttaa vähentämään raaka-aineiden kysyntää.

Käytetyt paristot, etenkin litiumia sisältävät, sekä sähkö- ja elektroniikkaromu sisältävät arvokkaita, kierrätettäviä materiaaleja, jotka saattavat vaikuttaa haitallisesti ympäristöön ja ihmisten terveyteen, jos niitä ei hävitetä ympäristöstävälisesti. Poista mahdolliset henkilökohtaiset tiedot hävitettävästä laitteesta.



Lisälaite - Ei sisälly vakiovarustukseen, saatavana lisätarvikkeena.

n₀

Joutokäyntikierrosluku

IPM

Iskumäärä

V

Jännite

≡

Tasavirta

CE

Euroopan säännönmukaisuusmerkki

UK

Iso-Britannian standardinmukaisuusmerkki

CA

001

Ukrainan säännönmukaisuusmerkki

EAC

Euraasian säännönmukaisuusmerkki

ΤΕΧΝΙΚΑ ΣΤΟΙΧΕΙΑ

Κατασκευαστικό είδος	M12 FID2
Αριθμός παραγωγής	Παλμικο καταβιδι μπαταρίας
Τάση ανταλλακτικής μπαταρίας	4812 94 01 XXXXX MJJJJ
Περιοχές αριθμών στροφών χωρίς φορτίο 1 / 2 / 3 / 4	12 V ---
Μέγ. ρυθμός κρούσεων	0–1700 / 0–2900 / 0–3600 / 0–3600 min ⁻¹
Μέγ. ροπή έλξεως	0–4000 min ⁻¹
Υποδοχη καταβιδόλαμας (μπιτ)	170 Nm
Μέγιστο μέγεθος βιδών / μέγεθος παξιμαδιών	1/4" (6mm) HEX
Βάρος σύμφωνα με τη διαδικασία EPTA 01/2014 (2,0...6,0 Ah)	M14
Συνιστώμενη θερμοκρασία περιβάλλοντος κατά την εργασία	0,91... 1,1 kg
Συνιστώμενοι τύποι συσσωρευτών	-18...+50 °C
Συνιστώμενες συσκευές φόρτισης	M12B...
Πληροφορίες θορύβου: Τιμές μέτρησης εξακριβωμένες κατά EN 62841. Η σύμφωνη με την καμπύλη A εκτιμηθείσα στάθμη θορύβου του μηχανήματος αναφέρεται σε:	M12-18C, M12-18AC, M12-18FC, C12C
Στάθμη ηχητικής πίεσης / Ανασφάλεια K	99,25 dB(A) / 3 dB(A)
Στάθμη ηχητικής ισχύος / Ανασφάλεια K	110,25 dB(A) / 3 dB(A)
Φοράτε προστασία ακοής (ωτασπίδες)!	
Πληροφορίες δόνησεων: Υλικές τιμές κραδασμών (άθροισμα διανυσμάτων τριών διευθύνσεων) εξακριβώθηκαν σύμφωνα με τα πρότυπα EN 62841. Τιμή εκπομπής δόνησεων a _w / Ανασφάλεια K	14,35 m/s ² / 1,5m/s ²

Μην επεξεργάζεστε επικίνδυνα για την υγεία υλικά (π.χ. αμιάντος).

Σε περίπτωση μπλοκαρίσματος της αρίδας απενεργοποιείτε αμέσως τη συσκευή! Μην ενεργοποιείτε εκ νέου τη συσκευή όσο η αρίδα είναι μπλοκαρισμένη. Σ' αυτή τη περίπτωση θα μπορούσε να προκύψει υψηλή ροπή αντίδρασης. Βρείτε την αιτία του μπλοκαρίσματος της αρίδας και ξεμπλοκαρέτε την λαμβάνοντας υπόψη τις οδηγίες ασφαλείας.

Πιθανές αιτίες:

- Η αρίδα μάγκωσε με το προς κατεργασία κομμάτι.

- Σπάσιμο του προς κατεργασία υλικού.

- Υπερφόρτωση του ηλεκτρικού εργαλείου.

Μην απλώνετε τα χέρια σας στην επικίνδυνη περιοχή της μηχανής όταν είναι σε λειτουργία.

Η θερμοκρασία της αρίδας μπορεί να φτάσει σε υψηλά επίπεδα κατά τη λειτουργία.

ΠΡΟΕΙΔΟΠΟΙΗΣΗ! Κίνδυνος εγκαύματος

- κατά την αλλαγή εργαλείου (αρίδας)

- κατά την απόθεση της συσκευής

Τα γρέζια ή οι σκλήθρες δεν επιτρέπεται να απομακρύνονται όσο η μηχανή βρίσκεται σε λειτουργία.

Κατά τις εργασίες σε τοίχο, οροφή ή δάπεδο προσέχετε για τυχόν ηλεκτρικά καλώδια και για σωλήνες αερίδια και νερού.

Ασφαλίστε το προς κατεργασία κομμάτι στη μέγγενη ή με μια άλλη διάταξη στερέωσης. Μη ασφαλισμένα προς κατεργασία κομμάτια μπορεί να προκαλέσουν σοβαρούς τραυματισμούς και ζημιές.

Πριν από κάθε εργασία στη μηχανή αφαιρείτε την ανταλλακτική μπαταρία.

Μην πετάτε τις μεταχειρισμένες ανταλλακτικές μπαταρίες στη

TEKNİK VERİLER	M12 FID2
Modeli	Vurmalı akü vidası
Üretim numarası	4812 94 01 XXXXXX MJJJJ
Kartuş akü gerilimi	12 V ---
Rölantri devri aralıkları 1 / 2 / 3 / 4	0–1700 / 0–2900 / 0–3600 / 0–3600 min ⁻¹
Maks. darbe sayısı	0–4000 min ⁻¹
Maks. sıkma momenti	170 Nm
Tornavida ucu kovani.	1/4" (6mm) HEX
Maksimum vida büyüklüğü / somun büyüklüğü	M14
Ağırlığı ise EPTA-üretici 01/2014'e göre (2,0...6,0 Ah)	0,91...1,1 kg
Çalışma sırasında tavsiye edilen ortam sıcaklığı	-18...+50 °C
Tavsiye edilen akü tipleri	M12B...
Tavsiye edilen şarj aletleri	M12-18C, M12-18AC, M12-18FC, C12C
Gürültü bilgileri: Ölçüm değerleri EN 62841 e göre belirlenmektedir. Aletin, frekansa bağımlı uluslararası ses basıncı seviyesi değerlendirme eğrisi A'ya göre tipik gürültü seviyesi: Ses basıncı seviyesi / Tolerans K	99,25 dB(A) / 3 dB(A)
Akustik kapasite seviyesi / Tolerans K	110,25 dB(A) / 3 dB(A)
Koruyucu kulaklık kullanın!	
Vibrasyon bilgileri: Toplam titreşim değeri (üç yönün vektör toplamı) EN 62841'e göre belirlenmektedir: Titreşim emisyon değeri a _w / Tolerans K	14,35 m/s ² / 1,5m/s ²

⚠ UYARI!

Bu bilgi formunda belirtilen titreşim ve gürültü düzeyi EN 62841 uyarınca standart bir test yöntemine göre ölçülmüş olup, bir aleti diğerleriyle karşılaştırmak için kullanılabilir. Bir maruz kalma ön değerlendirmesi için de kullanılabilir.

Beyan edilmiş titreşim ve gürültü emisyon değeri aletin ana uygulamalarını temsil eder. Ancak, alet farklı uygulamalar için veya farklı aksesuarla kullanılır ya da aletin bakımı yetersiz yapılırsa, titreşim ve gürültü emisyonu farklılık gösterebilir. Bu, toplam çalışma süresi boyunca maruz kalma seviyesini önemli ölçüde artırabilir.

Titreşim ve gürültüye maruz kalma seviyesi tahmininde, aletin kapalı olduğu veya çalıştığı, ancak aslında işini yapmadığı süreler de göz önünde bulundurulmalıdır. Bu, toplam çalışma süresi boyunca maruz kalma seviyesini önemli ölçüde azaltabilir.

Operatörü titreşim ve/veya gürültünün etkilerinden korumak için, aletin ve aksesuarların bakımını yapmak, elleri sıcak tutmak ve çalışma biçimlerini düzenlemek gibi ilave güvenlik önlemleri belirleyin.

⚠ UYARI! Bu elektrikli el aletiyle ilgili bütün uyarıları, talimat hükümlerini, gösterimleri ve spesifikasyonları okuyun. Aşağıda açıklanan talimat hükümlerine uyulmadığı takdirde elektrik çarpmalarına, yangınlara ve/veya ağır yaralanmalara neden olunabilir. **Bütün uyarıları ve talimat hükümlerini ileride kullanmak üzere saklayın.**

TORNAVIDALAR İÇİN GÜVENLİK AÇIKLAMASI:

Tepmeli matkap olarak işitme için koruma cihazı taşıyınız. Gürültü etkisi işitme kaybını etkiler.

Vidayı büken ve elektrik hattına maruz kalabilen çalışmaları yaparken cihazın izole edilmiş bulunan tutacak kolundan tutun. Voltaj altında kalan vida ile temas edilmesi, metal cihaz parçalarına elektrik akımı verebilir ve bu da elektrik çarpmasına neden olabilir.

EK GÜVENLİK VE ÇALIŞMA TALİMATLARI

Koruma teçhizatı kullanın. Makinada çalışırken devamlı surette koruyucu gözlük takın. Koruyucu elbise ve tozlardan korunma maskesi, emniyet eldivenleri ve sağlam ve kaymaya mukavim ayakkabı giyin. Başlık ve kulaklık tavsiye edilir.

Çalışma sırasında ortaya çıkan toz genellikle sağlığa zararlıdır ve bedeninize temas etmemelidir. Uygun bir koruyucu toz maskesi kullanın

Sağlık tehlikelerine neden olan malzemelerin işlenmesi yasaktır (örn. asbest).

Uca yerleştirilen takımın bloke olması halinde lütfen cihazı hemen kapatın! Uca yerleştirilen takım bloke olduğu sürece

cihazı tekrar çalıştırmayın; bu sırada yüksek reaksiyon momentine sahip bir geri tepme meydana gelebilir. Uca yerleştirilen takımın neden bloke olduğuna bakın ve bu durumu güvenlik uyarılarına dikkat ederek gidin.

Olası nedenler şunlar olabilir:

- İşlenen parça içinde takılma
- İşlenen malzemenin delinmesi
- Elektrikli alete aşırı yük binmesi

Ellerinizi çalışmakta olan makinenin içine uzatmayın.

Uca yerleştirilen takım kullanım sırasında ısınabilir.

- UYARI!** Yanma tehlikesi
- takım değiştirme sırasında
- aletin yere bırakılması sırasında

Alet çalışır durumda iken talaş ve kırıntılı temizlemeye çalışmayın.

Duvar, tavan ve zeminde delik açarken elektrik kablolarına, gaz ve su borularına dikkat edin.

İşlenen parçayı bir germe tertibatıyla emniyete alın. Emniyete alınmayan iş parçaları ağır yaralanmalar ve hasarlara neden olabilir.

Aletin kendinde bir çalışma yapmadan önce kartuş aküyü çıkarın.

Kullanılmış kartuş aküleri ateşe veya ev çöplerine atmayın. Milwaukee, kartuş akülerin çevreye zarar vermeyecek biçimde taşıyıcı edilmesine olanak sağlayan hizmet sunar; lütfen bu konuda yetkili satıcınızdan bilgi alın.

Kartuş aküleri metal parça veya eşyalarla birlikte saklamayın (kısaca devre tehlikesi).

M12 sistemli kartuş aküleri sadece M12 sistemli şarj cihazları ile şarj edin. Başka sistemli aküleri şarj etmeyin.

Kartuş aküleri ve şarj cihazını açmayın ve sadece kuru yerlerde saklayın. Neme ve ıslanmaya karşı koruyun.

Aşırı zorlanma veya aşırı ısınma sonucu hasar gören kartuş akülerden batarya sıvısı dışarı akabilir. Batarya sıvısı ile temasa gelen yeri hemen bol su ve sabunla yıkayın. Batarya sıvısı gözüne kaçacak olursa en azından 10 dakika yıkayın ve zaman geçirmeden bir hekime başvurun.

Uyarı! Bir kisa devreden kaynaklanan yangın, yaralanma veya ürün hasarları tehlikesini önlemek için aleti, güç paketini veya şarj cihazını asla sıvıların içine daldırmayınız ve cihazların ve pillerin içine sıvı girmesini önleyiniz. Tuzlu su, belirli kimyasallar, ağartıcı madde veya ağartıcı madde içeren ürünler gibi korozif veya iletken sıvılar kısa devreye neden olabilir.

KULLANIM

Akölü darbeli tork anahtar elektrik akımı şebekesinden bağımsız olarak vida ve somunların sıkılıp gevşetilmesinde çok yönlü olarak kullanılabilir.

Bu alet sadece belirttiği gibi ve usulüne uygun olarak kullanılabilir.

KALAN RİSKLER

Usulüne uygun kullanım durumunda da bütün kalan riskler ortadan kaldırılamaz. Kullanım sırasında, kullanıcının özellikle dikkat etmesi gerektiği aşağıdaki tehlikeler oluşabilir:

- Titreşimden dolayı oluşan yaralanmalar. Cihazı bunun için öngörülen kılparlardan tutun ve çalışma ve maruz kalam sürelerini sınırlandırın.
- Gürültü yükü işitme zararlarına neden olabilir. Kulaklık takın ve maruz kalma süresini sınırlandırın.
- Kir parçacıklarından dolayı oluşan göz yaralanmaları. Daima koruyucu gözlük, sağlam uzun pantolon, eldiven ve sağlam ayakkabılar giyin.
- Zehirli tozların solunması.

KULLANIM

Uyarı: Sabitlemesinden sonra sıkma momentinin her zaman bir tork anahtarıyla kontrol edilmesi tavsiye olunur.

Sıkma momenti, aşağıdakiler dahil, bir çok faktör tarafından etkilenir.

- Pilin şarj durumu - Pil boşaldığında voltaj düşer ve sıkma momenti azalır.
- Devir - Takımın düşük bir hızda kullanılması daha düşük bir sıkma momentine neden olur.
- Sabitleme pozisyonu - Takımı veya sabitleme elemanını ne şekilde tuttuğunuz sıkma momentini etkiler.
- Döner/takma uç - Yanlış boyuttaki bir döner veya takma uçun kullanılması veya darbelere dayanıklı olmayan aksesuarların kullanılması sıkma momentini düşürmektedir.
- Aksesuarların ve uzatmaların kullanılması - Aksesuara veya uzatmaya bağlı olarak darbeli vidalama makinesinin sıkma momenti düşebilir.
- Vida/Somun - Sıkma momenti, vidanın/somunun çapına, uzunluğuna ve mukavemet sınıfına göre değişebilir.
- Sabitleme elemanlarının durumu - Kirli, paslanmış, kuru veya yağlanmış sabitleme elemanları sıkma momentini etkileyebilir.
- Vidalanacak parçalar - Vidalanacak parçaların ve aradaki her bir parçanın mukavemeti (kuru veya yağlanmış, yumuşak veya sert, disk, conta veya pul) sıkma momentini etkileyebilir.

VIDALAMA TEKNİKLERİ

Bir pim, bir vida veya bir somuna darbeli vidalama makinesi tarafından ne kadar uzun süre yük uygulanırsa, o kadar fazla sıkılır.

Sabitleme araçları veya iş parçalarında hasarların önlenmesi için aşırı darbe sürelerinden kaçının.

Küçük sabitleme araçlarına yük uyguladığınızda özellikle dikkatli olunuz, çünkü en iyi sıkma momentine ulaşmak için daha az darbeye gereksinim duymaktadırlar.

Farklı sabitleme elemanlarıyla alıştırmaya başla ve istenilen sıkma momentine ulaşmak için gereken süreyi aklınızda tutunuz.

Sıkma momentini bir manuel tork anahtarıyla kontrol ediniz.

Sıkma momenti fazla yüksekte darbe süresini azaltınız.


Sıkma momenti yetersizse, darbe süresini artırınız.


Vida dışlarında veya sabitleme aracının başı altındaki yağ, kir, pas veya başka kirlenmeler sıkma momentinin yüzsekliğini etkilemektedir.

Bir sabitleme aracını sökmek için gerekli tork, kontak yüzeylerinin durumuna bağlı, ortalama sıkma momentinin %75 ile %80'i arasındadır.

Hafif vidalama işlerini nispeten düşük bir sıkma momentiyile yapınız ve kesin olarak sıkılmak için bir manuel tork anahtar kullanınız.

TAHRIK KUMANDASI

 Tahrik kumandası tuşu, devrin (min⁻¹) uygulamaya bağlı ayarı içindir.

Cihaz sac vidası modunda  vidanın sıkılanması kadar maksimum devirle çalışmaktadır. Ardından, daha iyi kontrol sağlamak için vidanın iş parçasına tamamiyle gömülmesine kadar devir düşürülmektedir.

LİTYUM İYON PİLLER İÇİN AÇIKLAMALAR

Lityum iyon pillerin kullanılması

Uzun süre kullanım dışı kalmış aküleri kullanmadan önce şarj edin.

50°C üzerindeki sıcaklıklar akünün performansını düşürür. Akünün güneş ışığı veya mekân sıcaklığı altında uzun süre ısınmamasına dikkat edin.

Şarj cihazı ve aküdeki bağlantı kontaklarını temiz tutun.

Akünün ömrünün mükemmel bir şekilde uzun olması için kullandiktan sonra tamamen doldurulması gerekir.

Ömrünün mümkün olduğu kadar uzun olması için akülerin şarj ettirildikten sonra şarj cihazından çıkartılması gerekir.

Akünün 30 günden daha fazla depolanması halinde: Aküyü takriben 27°C'de kuru olarak depolayın.

Aküyükü yüklemeye durumunun takriben % 30 - %50 olarak depolayın.

Aküyükü her 6 ay yeniden doldurun.

Lityum iyon pillerin aşırı pil şarj koruması

Pek fazla elektrik tüketiminden dolayı, örneğin aşırı fazla devir momentleri, aniden durma veya kısa devre gibi aküye aşırı yüklenme durumunda elektro cihazı 5 saniye titreşir, yüklemeye göstergesi yanıp söner ve elektro cihaz kendiliğinden durur. Yeniden çalıştırmak için şalter baskısını serbest bırakın ve bundan sonra tekrar çalıştırın. Akü aşırı yüklenmeden dolayı fazla ısınır. Bu durumda akü soğuyana kadar yüklemeye göstergesinin bütün lambaları yanıp söner. Gösterge lambalarının sönmelerinden sonra tekrar çalışmaya devam edilebilir.

Lityum iyon pillerin taşınması

Lityum iyon piller tehlikeli madde taşımaclığı hakkındaki yasal hükümler tabidir.

Bu piller, bölgesel, ulusal ve uluslararası yönetmeliklere ve

hükümlere uyularak taşınmak zorundadır.

- Tüketiciler bu pilleri herhangi bir özel şart aranmaksızın karayoluyla taşıyabilirler.
- Lityum iyon pillerin nakliye şirketleri tarafından ticari taşımacılığı için tehlikeli madde taşımacılığının hükümleri geçerlidir. Sevk hazırlığı ve taşıma sadece ilgili eğitimi görmüş personel tarafından gerçekleştirilebilir. Bütün süreç uzmanca bir refakatçilik altında gerçekleştirilmek zorundadır.

Pillerin taşınması sırasında aşağıdaki hususlara dikkat edilmesi gerekmektedir:

- Kısa devre oluşmasını önlemek için kontakların korunmuş ve izole edilmiş olmasını sağlayınız.
- Pil paketinin ambalajı içinde kaymamasına dikkat ediniz.
- Hasarlı veya akmış pillerin taşınması yasaktır.

Ayrıca bilgiler için nakliye şirketinize başvurunuz.

TEMİZLEME

Aletin havalandırma aralıklarını daima temiz tutun.

BAKIM

Sadece Milwaukee aksesuarı ve yedek parçası kullanın. Nasıl değiştirileceği açıklanmamış olan yapı parçalarını bir Milwaukee müşteri servisinde değiştirin (Garanti ve servis adresi broşürüne dikkat edin).

Gerektiğinde cihazın ayrıntılı çizimini, güç levhası üzerindeki makine modelini ve altı haneli rakamı belirterek müşteri servisinizden veya doğrudan Techtronic Industries GmbH, Max-Eyth-Straße 10, 71364 Winnenden, Germany adresinden isteyebilirsiniz.

SEMBOLLER



Lütfen aleti çalıştırmadan önce kullanma kılavuzunu dikkatli biçimde okuyun.



DİKKAT! UYARI! TEHLİKE!



Aletin kendinde bir çalışma yapmadan önce kartuş aküyü çıkarın.



Atık pillerin, atık elektrikli ve elektronik eşyaların evsel atıklarla birlikte bertaraf edilmesi yasaktır. Atık piller, atık elektrikli ve elektronik eşyalar ayrılarak biriktirilmeli ve bertaraf edilmelidir.

Bertaraf etmeden önce cihazların içindeki atık pilleri, atık akümülatörleri ve lambaları çıkartınız.

Yerel makamlara veya satıcınıza geri dönüşüm tesisleri ve atık toplama merkezlerinin yerlerini danışınız.

Yerel yönetmeliklere göre perakende satıcılar atık pilleri, atık elektrikli ve elektronik eşyaları ücret talep etmeden geri almak zorunda olabilirler.

Atık pillerinizi, atık elektrikli ve elektronik eşyalarınızı tekrar kullanarak ve geri dönüşüme vererek ham madde gereksiniminin az tutulmasına katkıda bulununuz.

Atık piller (özellikle lityum iyon piller), atık elektrikli ve elektronik eşyalar, çevreye uygun şekilde bertaraf edilmediklerinde çevre ve sağlığınıza zararlı olumsuz etkilere neden olabileceklerdir, tekrar kullanılabilir malzemeler içerirler.

Bertaraf etmeden önce atık eşyanız içinde mevcut olabilecek tehlikeli maddeleri biliniz.



Aksesuar - Teslimat kapsamında değildir, önerilen tamamlamalar aksesuar programında.

n₀

Rölanti

IPM

Tepme sayısı

V

Voltaj

Doğru akim

Doğru akim

CE

Avrupa uyumluluk işareti

UK

Britanya Uygunluk İşareti

CA

001

Ukrayna uyumluluk işareti

EAC

Avrasya uyumluluk işareti

TECHNICKÁ DATA

	M12 FID2
Typ	Aku rázové utahováky
Výrobní číslo	4812 94 01 XXXXX MJJJJ
Napětí výměnného akumulátoru	12 V ---
Rozsahy otáček při chodu naprázdno 1 / 2 / 3 / 4	0–1700 / 0–2900 / 0–3600 / 0–3600 min ⁻¹
Max. počet úderů	0–4000 min ⁻¹
Max. utahovací moment	170 Nm
Uchycení nástroje	1/4" (6mm) HEX
Maximální velikost šroubu / velikost matice	M14
Hmotnost podle prováděcího předpisu EPTA 01/2014 (2,0...6,0 Ah)	0,91... 1,1 kg
Doporučená okolní teplota při práci	-18...+50 °C
Doporučené typy akumulátorů	M12B...
Doporučené nabíječky	M12-18C, M12-18AC, M12-18FC, C12C
Informace o hluku: Naměřené hodnoty odpovídají EN 62841. V třídě A posuzovaná hladina hluku přístroje činí typicky: Hladina akustického tlaku / Kolísavost K Hladina akustického výkonu / Kolísavost K	99,25 dB(A) / 3 dB(A) 110,25 dB(A) / 3 dB(A)
Používejte chrániče sluchu !	
Informace o vibracích: Celkové hodnoty vibrací (vektorový součet tří směrů) zjištěné ve smyslu EN 62841. Hodnota vibračních emisí a _h / Kolísavost K	14,35 m/s ² / 1,5m/s ²

VAROVÁNÍ!

Hladina vibrací a emisí hluku uvedená v tomto informačním listu byla měřena v souladu se standardizovanou zkouškou uvedenou v normě EN 62841 a může být použita ke srovnání jednoho nástroje s jiným. Může být použita k předběžnému posouzení expozice.

Deklarovaná úroveň vibrací a emisí hluku představuje hlavní použití nástroje. Pokud se však nástroj používá pro různé aplikace, s různým příslušenstvím nebo s nedostatečnou údržbou, mohou se vibrace a emise hluku lišit. To může výrazně zvýšit úroveň expozice v průběhu celé pracovní doby.

Odhad úrovně expozice vibracím a hluku by měl také vzít v úvahu dobu, kdy je nástroj vypnutý nebo když běží, ale ve skutečnosti neprovádí úlohu. To může výrazně snížit úroveň expozice v průběhu celé pracovní doby.

Identifikujte dodatečná bezpečnostní opatření k ochraně pracovníka obsluhy před účinky vibrací a/nebo hluku, například: údržba nástroje a příslušenství, udržování rukou v teple, organizace pracovních schémat.

VAROVÁNÍ! Přečtěte si všechna výstražná upozornění, pokyny, zobrazení a specifikace pro toto elektrické nářadí. Zanedbání při dodržování výstražných upozornění a pokynů uvedených v následujícím textu může mít za následek zásah elektrickým proudem, způsobit požár a/nebo těžké poranění.
Všechna varovná upozornění a pokyny do budoucna uschovejte.

BEZPEČNOSTNÍ POKYNY PRO PRÁCI SE ŠROUBOVÁKEM:

Při vrtání s příklepem používejte prostředky k ochraně sluchu. Nadměrný hluk může vést ke ztrátě sluchu.
Přístroj držte za izolované plochy, pokud provádíte práce, při kterých může šroub zasáhnout skrytá elektrická vedení. Kontakt šroubu s vedením pod napětím může přivést napětí na kovové části přístroje a způsobit elektrický ráz.

DALŠÍ BEZPEČNOSTNÍ A PRACOVNÍ POKYNY

Použijte ochranné vybavení. Při práci s elektrickým nářadím používejte vždy ochranné brýle. Doporučujeme rovněž použití součástí ochranného oděvu a ochranné obuvi, jako protiprašné masky, ochranných rukavic, pevné a neklouzající obuvi, ochranné přilby a ochrany sluchu.

Prach vznikající při práci s tímto nářadím může být zdraví škodlivý. Proto by neměl přijít do styku s tělem. Používejte při práci vhodnou ochranou masku.

Nesmějí se upravovat materiály, které mohou způsobit ohrožení zdraví (např. azbest)

Při zablokovaní nasazeného nástroje přístroj okamžitě vypněte! Přístroj nezapínajte, pokud je nasazený nástroj zablokovaný; mohl by při tom vzniknout zpětný náraz s vysokým reakčním momentem. Zjistěte příčinu zablokování nasazeného nástroje a odstraňte ji při dodržení bezpečnostních pokynů.

Možnými příčinami mohou být:

- vzpříčení v opracovávaném obrobku
- přelomení opracovávaného materiálu
- přetížení elektrického přístroje

Nezasahujte do běžícího stroje.

Nasazený nástroj se může během používání rozpálit. **VAROVÁNÍ!** Nebezpečí popálení.

- při výměně nástroje
- při odkládání přístroje

Pokud stroj běží, nesmí být odstraňovány třísky nebo odštěpky.

Při vrtání do zdí, stropu nebo podlahy dávat pozor na elektrické kabely, plynová a vodovodní potrubí.

Obrobek zabezpečte upínacím zařízením. Nezabezpečené obrobky mohou způsobit těžká poranění a poškození.

Před zahájením veškerých prací na vrtacím šroubováku vyjmout výměnný akumulátor.

Použitě nevyhazujte do domovního odpadu nebo do ohně. Milwaukee nabízí ekologickou likvidaci starých článků, ptejte se u vašeho obchodníka s nářadím.

Náhradní akumulátor neskladujte s kovovými předměty, nebezpečí zkratky.

Akumulátor systému M12 nabíjejte pouze nabíječkou systému M12. Nenabíjejte akumulátory jiných systémů.

Náhradní akumulátory ani nabíječku neotvírejte, skladujte je v suchu, chráňte před vlhkem.

Při extrémní zátěži či vysoké teplotě může z akumulátoru vytékat kapalina. Při zasažení touto kapalinou okamžitě zasažená místa omyjte vodou a mýdlem. Při zasažení očí okamžitě důkladně po dobu alespoň 10min. omývat a neodkladně vyhledat lékaře.

Varování! Abyste zabránili nebezpečí požáru způsobeného zkratem, poraněním nebo poškozením výrobku, nepoužívejte nářadí, výměnnou baterii nebo nabíječku do kapalín a zajistěte, aby do zařízení a akumulátoru nevnikly žádné tekutiny. Korodující nebo vodivé kapaliny, jako je slaná voda, určité chemikálie a bělicí prostředky nebo výrobky, které obsahují bělidlo, mohou způsobit zkrat.

OBLAST VYUŽITÍ

Nárazový utahovač s akumulátorem je univerzálně použitelný k utahování a uvolňování šroubů a matic nezávisle na přípoje k síti.

Toto zařízení lze používat jen pro uvedený účel.

ZBYTKOVÁ RIZIKA

Ani při řádném používání není možné vyloučit všechna zbytková rizika. Při používání mohou vzniknout níže uvedené rizika, na která by měla obsluha dávat zvlášť pozor:

- Poranění způsobená vibrací. Přístroj držte pouze za určená držadla a omezte čas práce a expozice.
- Zatížením hlukem může vést k poškození sluchu. Noste ochranu sluchu a omezte dobu expozice.
- Poranění očí způsobená částicemi nečistot. Noste vždy ochranné brýle, pevné dlouhé kalhoty, rukavice a pevnou obuv.
- Vdechnutí jedovatých druhů prachu.

OBSLUHA

Upozornění: Doporučujeme po utažení vždy zkontrolovat utahovací moment momentovým klíčem.

Utahovací moment je ovlivňován velkým množstvím různých faktorů včetně následujících.

- Stav nabití baterie – Když je baterie vybitá, napětí poklesne a utahovací moment bude snížen.
- Pracovní otáčky – Používání nástroje při nízkých otáčkách vede k menšímu utahovacímu momentu.
- Poloha utahování – Způsob držení nástroje nebo utahování spojovacího prostředku v různých úhlech bude mít negativní vliv na utahovací moment.
- Šroubovací příslušenství/adaptér – Používání šroubovacího příslušenství nebo adaptéru nesprávné velikosti, nebo používání příslušenství, které není určené pro zatížení rázy, může způsobit snížení utahovacího momentu.
- Používání příslušenství a prodlužovacích nástavců – V závislosti na příslušenství nebo prodlužovacím nástavci se může snížit utahovací síla rázového utahovače.
- Šroub/matice – Utahovací momenty se mohou lišit podle průměru, délky a třídy pevnosti matice/šroubu.
- Stav spojovacího prostředku – Utahovací moment může být ovlivněn znečištěnými, zkorodovanými, suchými nebo namazanými spojovacími prostředky.
- Spojované díly – Utahovací moment může být ovlivněn pevností spojovaných dílů a každé součásti vkládané mezi ně (suché nebo namazané, měkké nebo tvrdé, destičky, těsnění nebo podložky).

TECHNIKY RÁZOVÉHO ŠROUBOVÁNÍ

Čím déle jsou svorník, šroub nebo matice zatěžovány rázovým šroubovákem, tím více budou utaženy.

Aby se zabránilo poškození spojovacích prostředků nebo obrobků, zabraňte nadměrně dlouhému působení rázů.

Obzvláště opatrně postupujte při rázovém utahování menších spojovacích prostředků, protože u nich je k dosažení optimálního utahovacího momentu zapotřebí méně rázů.

Procvičte si utahování s různými spojovacími prostředky a poznamenejte si dobu potřebnou k dosažení požadovaného utahovacího momentu.

Zkontrolujte utahovací moment pomocí ručního momentového klíče.

Pokud je utahovací moment příliš vysoký, dobu rázového šroubování zkráťte.

Pokud není utahovací moment dostatečný, dobu rázového šroubování prodlužte.

Olaj, špína, rez nebo jiné nečistoty na závitech nebo pod hlavou spojovacího prostředku ovlivňují velikost utahovacího momentu.


Krouticí moment potřebný k povolání spojovacího prostředku je průměrně 75% až 80% utahovacího momentu, v závislosti na stavu styčných ploch.

Při lehkých šroubovacích pracích používejte relativně malý utahovací moment a ke konečnému utažení použijte ruční momentový klíč.

OVLÁDÁNÍ Pohonu



Tlačítko k ovládní pohonu slouží na nastavení otáček (min⁻¹) v závislosti na použití zařízení.

V režimu samořezných šroubů do plechu se záпустnou hlavou  běží zařízení na maximální otáčky, dokud šroubek není utažený. Pak se počet otáček kvůli lepší kontrole sníží, dokud šroub není úplně zapuštěný v obrobku.

UPOZORNĚNÍ NA LITHIUM-IONTOVÉ BATERIE

Použití lithiium-iontových baterií

Déle nepoužívané akumulátory je nutné před použitím znovu nabít.

Teplota přes 50°C snižuje výkon akumulátoru. Chraňte před dlouhým přehříváním na slunci či u topení.

Připojovací kontakty nabíječky a akumulátoru udržujte v čistotě.

Pro optimální životnost je nutné akumulátory po použití plně dobít.

K zabezpečení dlouhé životnosti by se akumulátory měly po nabití vyjmout z nabíječky.

Při skladování akumulátoru po dobu delší než 30 dní: Skladujte akumulátor v suchu při cca 27°C.

Składujte akumulátor při cca 30%-50% nabíjecí kapacitě. Opakujte nabíjení akumulátoru každých 6 měsíců.

Ochrana proti přetížení u lithiium-iontových baterií

Při přetížení akumulátoru příliš vysokou spotřebou proudu, například při extrémně vysokém krouticím momentu, začne elektrické nářadí po dobu 5 sekund vibrovat, indikátor dobíjení začne blikat a motor se následně samočinně vypne. K opětovnému zapnutí uvolníte a následně opět stisknete tlačítkový vypínač.

Při extrémním zatížení dochází k příliš vysokému ohřevu akumulátoru. V tomto případě začnou blikat všechny kontrolky indikátoru dobíjení a blikají tak dlouho, dokud se akumulátor opět neochladí.

V okamžiku, kdy indikátor dobíjení přestane blikat, je možné v práci opět pokračovat.

Přeprava lithiium-iontových baterií

Lithiium-iontové baterie spadají podle zákonných ustanovení pod přepravu nebezpečného nákladu.

Přeprava těchto baterií se musí realizovat s dodržováním lokálních, vnitrostátních a mezinárodních předpisů a ustanovení.

- Spotřebitelé mohou tyto baterie bez problémů přepravovat po komunikacích.
- Komerční přeprava lithiium-iontových baterií prostřednictvím přepravních firem podléhá ustanovením o přepravě nebezpečného nákladu. Přípravu k vyexpedování a samotnou přepravu smělý vykonávat jen příslušně vyškolené osoby. Na celý proces se musí odborně dohlížet.

Při přepravě baterií je třeba dodržovat následující:

- Zajistěte, aby kontakty byly chráněné a izolované, aby se zamezilo zkratům.
- Dávejte pozor na to, aby se svazek baterií v rámci balení nemohl sesmeknout.
- Poškozené a vyteklé baterie se nesmějí přepravovat.

Ohledně dalších informací se obraťte na vaši přepravní firmu.

ČIŠTĚNÍ

Větrací štěrbinu nářadí udržujeme stále čisté.

ÚDRŽBA

Používat výhradně příslušenství Milwaukee a náhradní díly Milwaukee. Díly jejichž výměny nebyla popsána, nechte vyměnit v autorizovaném servisu (viz "Záruky / Seznam servisních míst")

V případě potřeby si můžete v servisním centru pro zákazníky nebo přímo od firmy Techtronic Industries GmbH, Max-Eyth-Straße 10, 71364 Winnenden, Německo vyžádat schematický náčrtek jednotlivých dílů přístroje, když uvedete typ přístroje a šestimístné číslo na výkonovém štítku.

SYMBOLY



Před spuštěním stroje se pečlivě pročtete návod k používání.



POZOR! VAROVÁN! NEBEZPEČÍ!



Před zahájením veškerých prací na vrtacím šroubováku vyjmout výměnný akumulátor.



Odpadní baterie a odpadní elektrická a elektronická zařízení se nesmějí likvidovat společně s domovním odpadem. Odpadní baterie a odpadní elektrická a elektronická zařízení je nutné sbírat a likvidovat odděleně. Před likvidací odstraňte ze zařízení odpadní baterie, odpadní akumulátory a osvětlovací prostředky.

Informujte se na místních úřadech nebo u vašeho odborného prodejce ohledně recyklačních dvorů a sběrných míst. Podle místních ustanovení mohou maloobchodní prodejci být povinni bezplatně odebrat zpět odpadní baterie a odpadní elektrická a elektronická zařízení. Opětovným použitím a recyklací vašich odpadních baterií a vašich odpadních elektrických a elektronických zařízení přispíváte ke snížení potřeby surovin. Odpadní baterie (především lithiium-iontové baterie), odpadní elektrická a elektronická zařízení obsahují cenné, opětovně použitelné materiály, které při ekologické likvidaci nemohou mít negativní účinky na životní prostředí a vaše zdraví. Před likvidací pokud možno vymažte na vašem odpadním přístroji existující osobní údaje.



Příslušenství není součástí dodávky, viz program příslušenství.



Otáčky při chodu naprázdno



Počet úderů



Napětí



Stejnoseměrný proud



Značka shody v Evropě



Britská značka shody



Značka shody na Ukrajině



Značka shody pro oblast Eurasie

Preprava lítium-iónových batérií

Lítiovo-iónové batérie podľa zákonných ustanovení spadajú pod prepravu nebezpečného nákladu.

Preprava týchto batérií sa musí realizovať s dodržiavaním lokálnych, vnútroštátnych a medzinárodných predpisov a ustanovení.

- Spotrebiteľia môžu tieto batérie bez problémov prepravovať po cestách.
- Komerčná preprava lítiovo-iónových batérií prostredníctvom špedičných firiem podlieha ustanoveniam o preprave nebezpečného nákladu. Prípravu k vyexpedovaniu a samotnú prepravu smú vykonávať iba adekvátne vyškolené osoby. Na celý proces sa musí odborné dohliadať.

Pri preprave batérií treba dodržiavať nasledovné:

- Zabezpečte, aby boli kontakty chránené a izolované, aby sa zamedzilo skratom.
- Dávajte pozor na to, aby sa zvážok batérií v rámci balenia nemohol zošmyknúť.
- Poškodené a vytečené batérie sa nesmú prepravovať.

Kvôli ďalším informáciám sa obráťte na vašu špedičnú firmu.

ČISTENIE

Vetracie otvory udržiavať stále v čistote.

ÚDRŽBA

Používať len Milwaukee príslušenstvo a Milwaukee náhradné diely. Súčiastky bez návodu na výmenu treba dať vymeniť v jednom z Milwaukee zákaznických centier (viď brožúru Záruka/Adresy zákaznických centier).

V prípade potreby si môžete v servisnom centre pre zákazníkov alebo priamo od firmy Techtronic Industries GmbH, Max-Eyth-Straße 10, 71364 Winnenden, Nemecko, vyžiadať schematický náčrt jednotlivých dielov prístroja pri uvedení typu prístroja a šesťmiestneho čísla na výkonovom štítku.

SYMBOLY



Pred prvým použitím prístroja si pozorne prečítajte návod na obsluhu.



POZOR! NEBEZPEČENSTVO!



Pred každou prácou na stroji výmenný akumulátor vyťahnuť.



Použitie batérie a odpad z elektrických a elektronických zariadení sa nesmie likvidovať spolu s domovým odpadom. Použitie batérie a odpad z elektrických a elektronických zariadení treba zbierať a likvidovať oddelene. Pred likvidáciou odstráňte zo zariadení použité batérie, použité akumulátory a osvetľovacie prostriedky.

Informujte sa pri miestnych úradoch alebo u vášho odborného predajcu ohľadom recyklačných dvorov a zberných miest. Podľa miestnych ustanovení môžu maloobchodní predajcovia byť povinní bezplatne zobrať späť použité batérie a odpad z elektrických a elektronických zariadení.

Opätovným použitím a recykláciou vašich použitých batérií a vášho odpadu z elektrických a elektronických zariadení prispievate k zníženiu potreby surovín. Použitie batérie (predovšetkým lítium-iónové batérie), odpad z elektrických a elektronických zariadení obsahuje cenné, opätovne použiteľné materiály, ktoré pri ekologickej likvidácii nemôžu mať negatívne účinky na životné prostredie a vaše zdravie.

Pred likvidáciou podľa možnosti vymažte na vašom použitom prístroji existujúce osobné údaje.



Príslušenstvo - nie je súčasťou štandardnej výbavy, odporúčané doplnenie z programu príslušenstva.



Otáčky pri chode naprázdno



Počet úderov



Jednosmerný prúd



Značka zhody v Európe



Britská značka zhody



Značka zhody na Ukrajine

Značka zhody pre oblasť Eurázie

DANE TECHNICZNE

	M12 FID2
Typ	Klucz udarowy akumulatorowy
Numer produkcyjny	4812 94 01 XXXXXX MJJJJ
Napięcie baterii akumulatorowej	12 V ---
Zakres prędkości na biegu jałowym 1 / 2 / 3 /	0–1700 / 0–2900 / 0–3600 / 0–3600 min ⁻¹
Maks. liczba uderzeń	0–4000 min ⁻¹
Maks. moment rozruchowy	170 Nm
Gniazdo końcówki	1/4" (6mm) HEX
Maksymalna wielkość śruby / nakrętki	M14
Ciężar wg procedury EPTA 01/2014 (2,0...6,0 Ah)	0,91...1,1 kg
Zalecana temperatura otoczenia w trakcie pracy	-18...+50 °C
Zalecane rodzaje akumulatora	M12B...
Zalecane ładowarki	M12-18C, M12-18AC, M12-18FC, C12C

Informacja dotycząca szumów: Zmierzone wartości wyznaczono zgodnie z normą EN 62841.

Poziom szumów urządzenia oszacowany jako A wynosi typowo:

Poziom ciśnienia akustycznego / Niepewność K

99,25 dB(A) / 3 dB(A)

Poziom mocy akustycznej / Niepewność K

110,25 dB(A) / 3 dB(A)

Należy używać ochraniaczy uszu!

Informacje dotyczące wibracji:

Wartości łączne drgań (suma wektorowa trzech kierunków) wyznaczone zgodnie z normą EN 62841.

Wartość emisji drgań a_w / Niepewność K

14,35 m/s² / 1,5m/s²

⚠ OSTRZEŻENIE!

Poziom drgań i emisji hałasu podany w niniejszej instrukcji zmierzono zgodnie ze standardową metodą badania wg EN 62841 i można ją wykorzystać do porównania narzędzia z innym narzędziem. Można go wykorzystywać przy wstępnej ocenie narażenia.

Deklarowany poziom emisji drgań i hałasu reprezentuje główne zastosowania narzędzia. Jeśli jednak narzędzie jest używane do różnych zastosowań, z różnymi akcesoriami lub w przypadku nieprawidłowej konserwacji, emisja drgań i hałasu może się różnić. Może to znacznie zwiększyć poziom narażenia w całym okresie eksploatacji narzędzia.

Oszacowanie poziomu narażenia na wibracje i hałas powinno również uwzględniać czasy, kiedy narzędzie jest wyłączone lub kiedy jest włączone, ale nie pracuje. Może to znacznie obniżyć poziom ekspozycji w całym okresie eksploatacji narzędzia.

Należy zidentyfikować dodatkowe środki bezpieczeństwa w celu ochrony operatora przed skutkami wibracji i/lub hałasu, takie jak: utrzymywanie narzędzia i akcesoriów w nienagannym stanie, utrzymywanie ciepła rąk, organizacja pracy.

⚠ OSTRZEŻENIE! Należy przeczytać wszystkie wskazówki bezpieczeństwa, instrukcje, opisy i specyfikacje dotyczące tego elektronarzędzia.

Zaniedbania w przestrzeganiu poniższych wskazówek mogą spowodować porażenie prądem, pożar i/lub ciężkie obrażenia ciała.

Należy starannie przechowywać wszystkie przepisy i wskazówki bezpieczeństwa dla dalszego zastosowania.

WSKAZÓWKI BEZPIECZEŃSTWA DLA KLUCZ UDAROWY

Do wiercenia udarowego należy zakładać ochronniki słuchu. Hałas może powodować utratę słuchu.

Trzymaj urządzenie za izolowane powierzchnie chwytowe, gdy wykonujesz roboty, w trakcie których śruba może natrafić na ukryte przewody prądu.

Kontakt śruby z przewodem pod napięciem może spowodować podłączenie części metalowych urządzenia do napięcia i prowadzić do porażenia prądem elektrycznym.

DODATKOWE WSKAZÓWKI BEZPIECZEŃSTWA I INSTRUKCJE ROBOCZE

Stosować wyposażenie ochronne. Przy pracy maszyną zawsze nosić okulary ochronne. Zalecana jest odzież ochronna, jak maska pyłochronna, rękawice ochronne, mocne i chroniące przed poślizgiem obuwie, kask i ochronniki słuchu.

Kurz powstający przy pracy z tym elektronarzędziem może być szkodliwy dla zdrowia, w związku z tym nie powinien dotrzeć do ciała. Nosić odpowiednią maskę przeciwpylową.

Nie wolno obrabiać materiałów, które mogą być przyczyną zagrożenia zdrowia (na przykład azbestu).

W przypadku zablokowania narzędzia nasazanego należy natychmiast wyłączyć urządzenie! Nie należy ponownie włączać urządzenia tak długo, jak długo narzędzie nasadzone jest zablokowane; przy tym mógłby powstać odrzut zwrotny o dużym momencie reakcyjnym. Należy wykryć i usunąć przyczynę zablokowania narzędzia nasazanego uwzględniając wskazówki dotyczące bezpieczeństwa.

Możliwymi przyczynami tego mogą być:

- Skośne ustawienie się w poddawany obróbcie przedmiocie obrabianym
- Przerwanie materiału poddawanego obróbcie
- Przeciążenie narzędzia elektrycznego

Nie należy sięgać do wnętrza maszyny będącej w ruchu.

Narzędzie nasadzone może w trakcie użytkowania stać się gorące.

OSTRZEŻENIE! Niebezpieczeństwo oparzenia się

- przy wymianie narzędzia
- przy odstawianiu urządzenia

Podczas pracy elektronarzędzia nie wolno usuwać trocin ani drzazg.

Podczas pracy przy ścianach, sufitach i podłodze należy uważać na kable elektryczne, przewody gazowe i wodociągowe.

Należy zabezpieczyć przedmiot poddawany obróbcie za pomocą urządzenia mocującego. Niezabezpieczone przedmioty poddawane obróbcie mogą spowodować ciężkie obrażenia ciała i uszkodzenia.

Przed przystąpieniem do jakichkolwiek prac na

elektronarzędziu należy wyjąć wkładkę akumulatorową.

Zużytych akumulatorów nie wolno wrzucać do ognia ani traktować jako odpadów domowych. Milwaukee oferuje ekologiczną utylizację zużytych akumulatorów.

Nie przechowywać akumulatorów wraz z przedmiotami metalowymi (niebezpieczeństwo zwarcia).

Akumulatory Systemu M12 należy ładować wyłącznie przy pomocy ładowarek Systemu M12. Nie ładować przy pomocy tych ładowarek akumulatorów innych systemów.

Nie otwierać wkładek akumulatorowych i ładowarek. Przechowywać w suchych pomieszczeniach. Chronić przed wilgocią.

W skrajnych warunkach temperaturowych lub przy bardzo dużym obciążeniu może dochodzić do wycieku kwasu akumulatorowego z uszkodzonych baterii akumulatorowych. W przypadku kontaktu z kwasem akumulatorowym należy natychmiast przemyć miejsce kontaktu wodą z mydłem. W przypadku kontaktu z oczami należy dokładnie przepłukiwać oczy przynajmniej przez 10 minut i zwrócić się natychmiast o pomoc medyczną.

Ostrzeżenie! Aby uniknąć niebezpieczeństwa pożaru, obrażeń lub uszkodzeń produktu na skutek zwarcia, nie wolno zanurzać narzędzia, akumulatora wymiennego ani ładowarki w cieczach i należy zatroszczyć się o to, aby do urządzeń i akumulatorów nie dostały się żadne ciecz. Zwarcie spowodowane mogą korodujące lub przewodzące ciecz, takie jak woda morska, określone chemikalia i wybielacze lub produkty zawierające wybielacze.

WARUNKI UŻYTKOWANIA

Uniwersalna w użyciu akumulatorowa wkrętarka udarowa, do mocowania i odkręcania śrub i nakrętek, niezależna od przyłącza sieciowego.

Produkt można użytkować wyłącznie zgodnie z jego normalnym przeznaczeniem.

RYZYKA RESZTKOWE

Nawet przy prawidłowym użytkowaniu nie można wykluczyć wszystkich ryzyk rezydualnych. W trakcie użytkowania mogą powstać poniższe zagrożenia, nawet w przypadku zachowania przez operatora najwyższej troski:

- Obrażenia spowodowane przez wibracje. Urządzenie należy trzymać za przeznaczony w tym celu uchwyt i ograniczać czas pracy i czas ekspozycji.
- Uciążliwość akustyczna może prowadzić do uszkodzeń słuchu. Należy mieć na sobie nauszники i ograniczać czas trwania ekspozycji.
- Obrażenia oczu spowodowane przez cząstki brudu. Należy zawsze mieć na sobie okulary ochronne, solidne długie spodnie, rękawice i solidne buty robocze.
- Wdychanie toksycznego pyłu.

OBŚLUGA

Wskazówka: Za każdym razem po ustawieniu momentu dokręcenia zaleca się sprawdzić konfigurację za pomocą klucza dynamometrycznego.

Na wartość momentu dokręcenia ma wpływ wiele czynników, między innymi poniższe.

- Poziom naładowania akumulatora – jeśli akumulator jest rozładowany, spada napięcie i moment dokręcenia zostaje zredukowany.
- Liczba obrotów – stosowanie narzędzia na niskich obrotach prowadzi do redukcji momentu dokręcenia.
- Pozycja montażowa – na moment dokręcenia wpływa rodzaj i sposób zamocowania narzędzia lub elementu mocującego.
- Wkładka/zatyczka rotacyjna – stosowanie wkładki/zatyczki rotacyjnej w niewłaściwym rozmiarze lub stosowanie

akcesoriów nieodpornych na uderzenia również redukuje moment dokręcenia.

- Stosowanie akcesoriów i przedłużeń – w zależności od akcesorium lub przedłużki może dojść do obniżenia momentu dokręcenia wkrętarki udarowej.
- Śruba/nakrętka – moment dokręcenia może różnić się w zależności od średnicy, długości i klasy wytrzymałości śruby/nakrętki.
- Stan elementów mocujących – zanieczyszczone, skorodowane, suche lub nasmarowane elementy mocujące mogą mieć wpływ na moment dokręcenia.
- Części mocowane na śruby – na moment dokręcenia ma również wpływ wytrzymałość części mocowanych na śruby oraz każdego elementu znajdującego się między nimi (suche lub nasmarowane, miękkie lub twarde, zamontowana uszczelka lub podkładka).

TECHNIKI WKRĘCANIA

Im dłużej wkrętarka udarowa oddziaływa na bolec, śrubę lub nakrętkę, tym mocniejsze jest dokręcenie.

Aby zapobiegać uszkodzeniom środków mocujących i mocowanych elementów, należy unikać nadmiernego czasu trwania wkręcania.

Szczególną ostrożność należy zachować w trakcie oddziaływania na mniejsze środki mocujące, ponieważ wymagają one mniej uderzeń do osiągnięcia optymalnego momentu dokręcenia.

Należy próbować przy pomocy różnych elementów mocujących i odnotowywać czas potrzebny do osiągnięcia pożądanego momentu dokręcenia.

Sprawdzać moment dokręcenia ręcznym kluczem dynamometrycznym.

W przypadku zbyt wysokiego momentu dokręcenia należy zredukować czas przykręcania.

W przypadku niewystarczającego momentu dokręcenia należy zwiększyć czas przykręcania.

Na moment dokręcenia ma wpływ również olej, brud, rdza czy inne zabrudzenia przy gwincie lub pod głową elementu mocującego.

Moment obrotowy niezbędny do poluzowania elementu mocującego wynosi średnio 75-80% momentu dokręcenia, w zależności od stanu powierzchni styku.

Lekkie przykręcenia należy realizować z relatywnie niskim momentem dokręcenia i stosować klucz dynamometryczny lub celu ostatecznego przymocowania.

STEROWANIE NAPĘDU



Przycisk sterowania napędem służy do regulacji liczby obrotów w zależności od zastosowania (min⁻¹).

W trybie blachowkrętu urządzenie pracuje z maksymalną liczbą obrotów do momentu wkręcenia wkrętu. Następnie w celu zapewnienia lepszej kontroli liczba obrotów zostaje zmniejszana aż do całkowitego zatopienia wkrętu w obrabianym elemencie.

WSKAZÓWKI DLA AKUMULATORÓW LITOWO-JONOWYCH

Użytkowanie akumulatorów litowo-jonowych

Akumulatory, które nie były przez dłuższy czas użytkowane, należy przed użyciem naładować.

W temperaturze powyżej 50°C następuje spadek osiągniętych akumulatorowej. Unikaj długotrwałego wystawienia na oddziaływanie ciepła lub promieni słonecznych (niebezpieczeństwo przegrzania).

Należy utrzymywać w czystości styki przyłączeniowe przy ładowarce i akumulatorze.

Dla zapewnienia optymalnej żywotności akumulatory po

użyciu należy naładować do pełnej pojemności.

Aby zapewnić jak najdłuższą żywotność akumulatorów, po zakończeniu ładowania należy odłączyć je od ładowarki.

W przypadku składowania akumulatorów dłużej niż 30 dni:

Przechowywać je w suchym miejscu w temperaturze ok. 27°C.

Przechowywać je w stanie naładowanym do ok. 30% - 50%. Ładować je ponownie co 6 miesięcy.

Ochrona przeciwpięcieniowa w akumulatorach litowo-jonowych

W przypadku przecięcia akumulatora przez bardzo duży pobór prądu, na przykład wskutek ekstremalnie dużych momentów obrotowych, narzędzie ręczne z napędem elektrycznym wibruje przez 5 sekund, miga wskaźnik ładowania i narzędzie samoczynnie wyłącza się.

W celu ponownego włączenia narzędzia należy zwolnić przycisk przełączający, a następnie ponownie go włączyć. Przy ekstremalnych obciążeniach akumulator nagrzewa się za mocno. W takim przypadku wszystkie lampki wskaźnika ładowania migają tak długo, aż akumulator ochłodzi się. Po zgaśnięciu wskaźnika ładowania można kontynuować pracę.

Transport akumulatorów litowo-jonowych

Akumulatory litowo-jonowe podlegają ustawowym przepisom dotyczącym transportu towarów niebezpiecznych.

Transport tych akumulatorów winien odbywać się przy przestrzeganiu lokalnych, krajowych i międzynarodowych rozporządzeń i przepisów.

- Odbiorcom nie wolno transportować tych akumulatorów po drogach ot tak po prostu.
- Komercyjny transport akumulatorów litowo-jonowych przez przedsiębiorstwa spedycyjne podlega przepisom dotyczącym transportu towarów niebezpiecznych. Przygotowania do wysyłki oraz transport mogą być wykonywane wyłącznie przez odpowiednio przeszkolone osoby. Cały proces winien odbywać się pod fachowym nadzorem.

W czasie transportu akumulatorów należy przestrzegać następujących punktów:

- Celem uniknięcia zwarć należy upewnić się, że zestyki są zabezpieczone i zaizolowane.
- Zwracać uwagę na to, aby zespół akumulatorów nie mógł się przemieszczać we wnętrzu opakowania.
- Nie wolno transportować akumulatorów uszkodzonych lub z wyciekającym z elektrolitem.

Odnosnie dalszych wskazówek należy zwrócić się do swojego przedsiębiorstwa spedycyjnego.

CZYSZCZENIE

Otwory wentylacyjne elektronarzędzia muszą być zawsze drożne.


UTRZYMANIE I KONSERWACJA

Używać tylko i wyłącznie wyposażenia dodatkowego Milwaukee i części zamiennych Milwaukee. Gdyby trzeba było wymienić części, które nie zostały opisane, należy skontaktować się z przedstawicielem serwisu Milwaukee (patrz wykaz adresów punktów usługowych/gwarancyjnych).

W razie potrzeby można zamówić rysunek urządzenia w rozłożeniu na części podając typ maszyny oraz sześciopozycyjny numer na tabliczce znamionowej w Punkcie Obsługi Klienta lub bezpośrednio w firmie Techtronics Industries GmbH, Max-Eyth-Straße 10, 71364 Winnenden, Germany.

SYMBOLY

	Przed uruchomieniem elektronarzędzia zapoznać się uważnie z treścią instrukcji.
	UWAGA! OSTRZEŻENIE NIEBEZPIECZEŃSTWO!
	Przed przystąpieniem do jakichkolwiek prac na elektronarzędziu należy wyjąć wkładkę akumulatorową.
	Zużyte baterie oraz zużyty sprzęt elektryczny i elektroniczny nie może być usuwany razem z odpadami pochodzącymi z gospodarstw domowych. Zużyte baterie oraz zużyty sprzęt elektryczny i elektroniczny należy gromadzić i usuwać oddzielnie. Przed utylizacją należy usunąć z urządzeń zużyte baterie, zużyte akumulatory oraz źródła światła. Proszę zasięgnąć informacji o centrach recyklingowych i punktach zbiorczych u władz lokalnych lub u wyspecjalizowanego dostawcy. W zależności od lokalnych przepisów, sprzedawcy detaliczni mogą być zobowiązani do bezpłatnego odbioru zużytego sprzętu elektrycznego i elektronicznego. Poprzez ponowne wykorzystanie i recykling zużytych baterii oraz zużytego sprzętu elektrycznego i elektronicznego pomagamy zmniejszać zapotrzebowanie na surowce. Zużyte baterie (zwłaszcza baterie litowo-jonowe) oraz zużyty sprzęt elektryczny i elektroniczny zawierają cenne materiały nadające się do recyklingu, które mogą mieć negatywny wpływ na środowisko naturalne i zdrowie użytkownika, jeśli nie zostaną utylizowane w sposób przyjazny dla środowiska. Przed utylizacją zużytego sprzętu należy usunąć wszelkie zamieszczone na nim dane osobowe.
	Wyposażenie dodatkowe dostępne osobno.
	Liczba obrotów na biegu jałowym
	Ilość uderzeń
	Napięcie
	Prąd stały
	Europejski Certyfikat Zgodności
	Brytyjski znak potwierdzający zgodność
	Ukraiński Certyfikat Zgodności
	Euroazjatycki Certyfikat Zgodności

MŰSZAKI ADATOK	M12 FID2
Felépítés	Akkumulátoros csavarbehajtó
Gyártási szám	4812 94 01 XXXXX MJJJ
Akkumulátor feszültség	12 V ---
Üresjárat fordulatszám-tartományok 1 / 2 / 3 / 	0–1700 / 0–2900 / 0–3600 / 0–3600 min ⁻¹
Max. ütésszám	0–4000 min ⁻¹
Max. meghúzási nyomaték	170 Nm
Bitbefogás	1/4" (6mm) HEX
Maximális csavarméret / anyaméret	M14
Súly a 01/2014EPTA-eljárás szerint (2,0...6,0 Ah)	0,91...1,1 kg
Ajánlott környezeti hőmérséklet munkavégzésnél	-18...+50 °C
Ajánlott akkutípusok	M12B...
Ajánlott töltőkészülékek	M12-18C, M12-18AC, M12-18FC, C12C
Zajinformáció: A közölt értékek megfelelnek az EN 62841 szabványoknak.	
A készülék munkahelyi zajszintje tipikusan:	
Hangnyomás szint / K bizonytalanság	99,25 dB(A) / 3 dB(A)
Hangteljesítmény szint / K bizonytalanság	110,25 dB(A) / 3 dB(A)
Hallásvédő eszköz használata ajánlott!	
Vibráció-információk: Összesített rezgésértékek (három irány vektoriális összege) az EN 62841 -nek megfelelően meghatározva.	
a _n rezgésemisszió érték / K bizonytalanság	14,35 m/s ² / 1,5m/s ²


FIGYELMEZTETÉS!

Az adatlapon feltüntetett rezgés- és zajkibocsátási szint mérésére az EN 62841 szabványos vizsgálati módszere alapján került sor, és a kapott értékek az egyes szerszámok összehasonlítására használhatók. Az értékek az expozíció előzetes értékelésében használhatók.

A feltüntetett rezgés- és zajkibocsátási szint a szerszám főbb alkalmazásait tükrözi. Mindazonáltal, ha a szerszámot különböző alkalmazásokra, eltérő tartozékokkal használják, illetve a szerszám nincs megfelelően karbantartva, a rezgés- és zajkibocsátási szint eltérő lehet. Ez jelentősen növelheti az expozíciós szintet a teljes munkafolyamat során.

A rezgésnek és zajnak való expozíció becslést szintjét is figyelembe kell venni a szerszám kikapcsolásakor, illetve olyankor, ha a szerszám üzemel, de valójában nem történik vele munkavégzés. Ez jelentősen csökkentheti az expozíciós szintet a teljes munkafolyamat során.

Határozzon meg további biztonsági intézkedéseket, hogy védje a kezelőt a rezgés- és/vagy zajhatásoktól. Ilyen intézkedések pl.: a szerszámok és tartozékok karbantartása, a kéz melegen tartása, munkarend-szervezés.

 FIGYELMEZTETÉS! Olvassa el az elektromos kéziszerszámra vonatkozó összes biztonsági útmutatást, utasítást, ábrát és specifikációt. A következőkben leírt utasítások betartásának elmulasztása áramütésekhez, tűzhöz és/vagy súlyos testi sérülésekhez vezethet.
Kérjük a későbbi használatra gondosan őrizz meg ezeket az előírásokat.

BIZTONSÁGI ÚTMUTATÁSOK CSAVAROZÓGÉPEKHEZ

Útvefűráskor viseljen hallásvédőt. A zaj hatása hallásvesztést okozhat.

Olyan munkák végzésekor, melyeknél a csavar feljett áramvezetékeket érhet, a szigetelt markolati felületeknél tartsa a készüléket. A csavar feszültségvezető vezetékkel érintkezve fém alkatrészeket helyezhet feszültség alá, és elektromos áramütést idézhet elő.

TOVÁBBI BIZTONSÁGI ÉS MUNKA VÉDEZÉSI UTASÍTÁSOK

Használjon védőfelszerelést! Ha a gépen dolgozik, mindig hordjon védőszemüveget! Javasoljuk a védőruházat, úgymint porvédő maszk, védőcipő, erős és csúszásbiztos lábbeli, sisak és hallásvédő használatát.

A munka során keletkező por gyakran egészségre káros, ezért ne kerüljön a szervezetbe.
Hordjon e célra alkalmas porvédőmaszkat.

Nem szabad olyan anyagokat megmunkálni, amelyek

lehetőségeiről.

Az akkumulátort ne tárolja együtt fém tárgyakkal. (Rövidzárlat veszélye).

Az M12 elnevezésű rendszerhez tartozó akkumulátorokat kizárólag a rendszerhez tartozó töltővel töltsé fel. Ne használjon más rendszerbe tartozó töltőt.

Az akkumulátort, töltőt nem szabad megbontani és kizárólag száraz helyen szabad tárolni. Nedvességtől óvni kell.

Akkumulátor sav folyhat a sérült akkumulátorból extrém terhelés alatt, vagy extrém hő miatt. Ha az akkumulátor sav a bőrére kerül azonnal mossa meg szappanos vízzel. Szembe kerülés esetén folyóvíz alatt tartsa a szemet minimum 10 percig és azonnal forduljon orvoshoz.

Figyelmeztetés! A rövidzárlat általi tűz, sérülések vagy termékkárosodások veszélye elkerülésére ne mérítse a szerszámot, a cserélhető akkut vagy a töltőkészüléket folyadékba, és gondoskodjon arról, hogy ne hatoljanak folyadékok a készülékekbe és az akkukba. A korrozív hatású vagy vezetőképes folyadékok, mint pl. a sós víz, bizonyos vegyi anyagok, fehérítők vagy fehérítő tartalmú termékek, rövidzárlatot okozhatnak.

RENDELTETÉSSZERŰ HASZNÁLAT

Az akkumulátorral működő ütőműves csavarbehajtó gép hálózati csatlakozás nélkül univerzálisan alkalmazható csavarok és csavaranyák meghúzásához és oldásához.

A készüléket kizárólag az alábbiakban leírtaknak megfelelően szabad használni.

FENNMARADÓ KOCKÁZATOK

Szabályos használat esetén sem lehet minden fennmaradó kockázatot kizárni. A használat során a következők veszélyek keletkezhetnek, amelyekre a kezelőnek különösen figyelnie kell:

- Vibráció okozta sérülések.
A készüléket az e célra szolgáló markolatoknál fogja meg és korlátozza a munka- és expozíciós időt.
- A zajterhelés halláskárosodást okozhat.
Viseljen hallásvédőt és korlátozza az expozíciós időt.
- Szennyrészecskék által okozott szemsérülések.
Viseljen mindig védőszemüveget, erős hosszú nadrágot, kesztyűt és ellenálló lábbelit.
- Mérgező porok belégzése

KEZELÉS

Megjegyzés: Ajánlott a rögzítést követően a meghúzási nyomatékokat mindig nyomatékkulccsal ellenőrizni.

A meghúzási nyomatékok számos tényező befolyásolja, beleértve az alábbiakat.

- Az akkumulátor töltöttségi állapota – Ha az akkumulátor lemerült, leesik a feszültség és a meghúzási nyomaték csökken.
- Fordulatszámok – A szerszám alacsony sebesség mellett történő használata kisebb meghúzási nyomatékokat eredményez.
- Rögzítési pozíció – Az a mód, ahogyan a szerszámot vagy a rögzítőelemet tartja, befolyásolja a meghúzási nyomatékokat.
- Forgó/dugós betét – Helytelen méretű forgó/dugós betét használata, vagy nem ütészálló tartozék használata csökkenti a meghúzási nyomatékokat.
- Tartozékok és hosszabbítók használata – Tartozéktól vagy hosszabbítótól függően az ütvecsavarozó meghúzási nyomatéka csökkenhet.
- Csavar/anya – A meghúzási nyomaték átmérőtől, hosszúságtól és a csavar/anya szilárdsági osztályától függően változhat.
- A rögzítőelemek állapota – Szennyezett, korrodált, száraz, vagy lekent rögzítőelemek befolyásolhatják a meghúzási

nyomatékok.

- A csavarral rögzítendő elemek – A csavarral rögzítendő elemek szilárdsága és minden köztük lévő elem (száraz vagy lekent, puha vagy kemény, lemez, tömítés vagy alátét) befolyásolhatja a meghúzási nyomatékokat.

BECSÁRÁSI TECHNIKÁK

Minél hosszabb ideig terhelünk egy csapszeget, csavart vagy anyát az ütvecsavarozóval, annál jobban meghúzzuk azt.

A rögzítőanyagok vagy munkadarabok sérüléseinek elkerülése érdekében kerülje a túlzott ütési időt.

Legyen különösen óvatos, ha kisebb rögzítőelemekkel dolgozik, mivel azoknak kevesebb ütés is elegendő az optimális meghúzási nyomaték eléréséhez.

Gyakoroljon különböző rögzítőelemekkel és jegyezze meg azt az időt, amely a kívánt meghúzási nyomaték eléréséhez szükséges.

Ellenőrizze a meghúzási nyomatékok kézi nyomatékkulccsal. Ha túl nagy a meghúzási nyomaték, csökkentse az ütési időt.

Ha nem elegendő a meghúzási nyomaték, növelje az ütési időt.


A rögzítőelem menetén vagy a fej alatt lévő olaj, kosz, rozsda, vagy más szennyeződések befolyásolják a meghúzási nyomaték mértékét.

A rögzítőelem oldásához szükséges nyomaték átlagosan a meghúzási nyomaték 75-80%-a, az érintkezőfelületek állapotától függően.

A könnyű becsavarást viszonylag csekély meghúzási nyomatékkal végezze el, és a végleges meghúzáshoz használjon kézi nyomatékkulcsot.

HAJTÁSSZÉRLÉS

 A hajtásvézelés gombja a fordulatszám (min⁻¹) alkalmazástól függő beállítására szolgál.

 Ilemecscsavar módban a készülék a csavar behajtásáig maximális fordulatszámra áll. Ezt követően a fordulatszám a jobb kontrollálhatóság érdekében lecsökken, míg a csavar teljesen el nem tűnik a munkadarabban.

LI-ION AKKUKRA VONATKOZÓ ÚTMUTATÁSOK

Li-ion akkuk használata

A hosszabb ideig üzemben kívül lévő akkumulátort használat előtt ismételtlen fel kell tölteni.

50°C feletti hőmérsékletnél csökkenhet az akkumulátor teljesítménye. Kerülje ki a túlzottan meleg helyen vagy napon történő hosszabb idejű tárolást.

A töltő és az akku csatlakozóerítőit tisztán kell tartani.

Az optimális élettartam érdekében használat után az akkukat teljesen fel kell tölteni.

A lehetőleg hosszú élettartamhoz az akkukat feltöltés után ki kell venni a töltőkészülékből.

Az akku 30 napot meghaladó tárolása esetén:

Az akkut kb. 27 °C-on, száraz helyen kell tárolni.

Az akkut kb. 30-50%-os töltöttségi állapotban kell tárolni.

Az akkut 6 havonta újra fel kell tölteni.

Akku-túlterhelés elleni védelem Li-ion akkuknál

Az akku nagyon nagy áramfelhasználása következtében fellépő túlterhelése esetén - pl. rendkívül magas forgatónyomatékok, a fűrő megszorulása, hirtelen leállás vagy rövidzárlat miatt – az elektromos szerszám 5 másodpercen keresztül vibrál, a töltéskijelző villog és az elektromos szerszám magától kikapcsol. Az újabb bekapcsoláshoz engedje el a nyomókapcsolót, majd kapcsolja be ismét.

Rendkívüli terheléseknél az akku túlságosan felmelegszik. Ebben az esetben a töltéskijelző minden lámpája addig villog, amíg az akku le nem hűl. Ha a töltéskijelző kialszik, utána tovább lehet dolgozni.

Li-ion akkuk szállítása

A lítium-ion akkuk a veszélyes áruk szállítására vonatkozó törvényi rendelkezések hatálya alá tartoznak.

Az ilyen akkuk szállításának a helyi, országos és nemzetközi előírások és rendelkezések betartása mellett kell történnie.

- A fogyasztók minden további nélkül szállíthatják az ilyen akkukat közúton.
- A lítium-ion akkuk szállítmányozási vállalatok általi kereskedelmi célú szállítására a veszélyes áruk szállítására vonatkozó rendelkezések érvényesek. A kiszállítás előkészítését és a szállítást kizárólag megfelelő képzettségű személyek végezhetik. A teljes folyamatnak szakmai felügyelet alatt kell történnie.

A következő pontokat kell figyelembe venni akkuk szállításakor:

- Biztosítsa, hogy a rövidzárlatok elkerülése érdekében az érintkezők védve és szigetelve legyenek.
- Ügyeljen arra, hogy az akkusomag ne tudjon elcsúszni a csomagoláson belül.
- Tilos sérült vagy kifolyt akkukat szállítani.

További útmutatásokért forduljon szállítmányozási vállalatához.

TISZTÍTÁS

A készülék szellőzőnyílásait mindig tisztán kell tartani.

KARBANTARTÁS

Csak Milwaukee tartozékokat és Milwaukee pótalkatrészeket szabad használni. Az olyan elemeket, melyek cseréje nincs ismertette, cseréltesse ki Milwaukee szervizzel (lásd Garancia/Ügyfélszolgálat címei kiadványt).

Igény esetén a készülékről robbantott rajz kérhető a géptípus és a teljesítménycímként található hatjegyű szám megadásával az Ön vevőszolgálatánál, vagy közvetlenül a Techtronic Industries GmbH-től a Max-Eyth-Straße 10, 71364 Winnenden, Németország címen.

SZIMBÓLUMOK



Kérjük alaposan olvassa el a tájékoztatót mielőtt a gépet használja.



FIGYELEM! FIGYELMEZTETÉS! VESZÉLY!



Karbantartás, javítás, tisztítás, stb. előtt az akkumulátort ki kell venni a készülékből.



A hulladékelemeket, az elektromos és elektronikus berendezések hulladékait nem szabad a háztartási hulladékkal együtt ártalmatlanítani. A hulladékelemeket, az elektromos és elektronikus berendezések hulladékait elkülönítve kell gyűjteni és ártalmatlanítani.

Az ártalmatlanítás előtt távolítsa el a hulladékelemeket, a hulladékakkumulátorokat és az izzókat a berendezésekből.

A helyi hatóságoknál vagy szakkereskedőjénél tájékozódjon a hulladékudvarokról és gyűjtőhelyekről.

A helyi rendelkezésektől függően a kiskereskedők kötelesek lehetnek a hulladékelemeket, az elektromos és elektronikus berendezések hulladékait ingyenesen visszavenni.

A hulladékelemek, az elektromos és elektronikus berendezések hulladékainak újrahasználatával és újrahasznosításával járuljon hozzá a nyersanyagszükséglet csökkentéséhez.

A hulladékelemek (mindenekelőtt a lítium-ion elemek), az elektromos és elektronikus berendezések hulladékai értékes újrahasznosítható anyagokat tartalmaznak, melyek környezetvédelmi szempontból nem megfelelő ártalmatlanítás esetén negatív hatással lehetnek a környezetre és az Ön egészségére.

Ártalmatlanítás előtt törölje a használt készüléken lévő lehetséges személyes adatokat.



Azokat a tartozékokat, amelyek gyárilag nincsenek a készülékhez mellékelve, külön lehet megrendelni.



Üresjárat fordulatszám



Ütésszám



Feszültség



Egyenáram



Európai megfelelőségi jelölés



Brit megfelelőségi jel



Ukrán megfelelőségi jelölés

Eurázsiai megfelelőségi jelölés

TEHNIČNI PODATKI

	M12 FID2
Model	Baterijski udarni vijačnik
Proizvodna številka	4812 94 01 XXXXX MJJJ
Napetost izmenljivega akumulatorja	12 V ---
Razpon hitrosti vrtiljavev prostega teka 1 / 2 / 3 / 4	0–1700 / 0–2900 / 0–3600 / 0–3600 min ⁻¹
Največje število udarcev	0–4000 min ⁻¹
Največji navor privijanja	170 Nm
Sprejem orodja	1/4" (6mm) HEX
Maksimalna velikost vijaka / matice	M14
Teža po EPTA-proceduri 01/2014 (2,0...6,0 Ah)	0,91...1,1 kg
Priporočena temperatura okolice pri delu	-18...+50 °C
Priporočene vrste akumulatorskih baterij	M12B...
Priporočeni polnilniki	M12-18C, M12-18AC, M12-18FC, C12C

Informacije o hrupnosti: Vrednosti merjenja ugotovljene ustrežno z EN 62841.

Raven hrupnosti naprave ovrednotena z A, znaša tipično:

Nivo zvočnega tlaka / Nevarnost K 99,25 dB(A) / 3 dB(A)

Višina zvočnega tlaka / Nevarnost K 110,25 dB(A) / 3 dB(A)

Nosite zaščito za sluh!

Informacije o vibracijah:

Skupna vibracijska vrednost (Vektorska vsota treh smeri) določena ustrežno EN 62841.

Vibracijska vrednost emisij a_v / Nevarnost K

14,35 m/s² / 1,5m/s²

⚠ OPOZORILO!

Raven vibracij in hrupa, navedena v tem informativnem listu, je bila izmerjena v skladu s standardiziranim preskusom iz EN 62841 in jo je mogoče uporabljati za primerjavo orodij med seboj. Mogoče jo je tudi uporabiti za predhodno oceno izpostavljenosti.

Navedena raven vibracij in hrupa predstavlja glavno uporabo orodja. Če pa se orodje uporablja za različne namene, z različnimi dodatki ali slabo vzdrževano, se lahko vibracije in hrup razlikujejo. To lahko znatno poveča raven izpostavljenosti v celotnem delovnem obdobju.

Pri oceni ravni izpostavljenosti vibracijam in hrupu je treba upoštevati tudi čas, ko je orodje izklopljeno ali ko teče, vendar dejansko ne opravlja dela. To lahko bistveno zmanjša raven izpostavljenosti v celotnem delovnem obdobju.

Ugotovite dodatne varnostne ukrepe za zaščito upravljalca pred učinki vibracij in/ali hrupa, kot so: vzdrževanje orodja in dodatkov, tople roke, organizacija delovnih vzorcev.

⚠ OPOZORILO! Preberite vsa varnostna opozorila in navodila, prikaze in specifikacije tega električnega orodja. Zakasnelo upoštevanje sledečih navodil lahko povzroči električni udar, požar in/ali težke poškodbe. **Vsa opozorila in napotila shranite, ker jih boste v prihodnje še potrebovali.**

VARNOSTNI NAPOTKI ZA UDARNI VIJAČNIKI

Pri udarnemu vrтанju nosite glušnik. Hrup lahko povzroči izgubo sluha.

Kadar izvajate dela pri katerih lahko sveder zadane v prikrito električne vode, držite napravo za izolirane prijemalne površine. Stik svedra z električnim vodnikom lahko kovinske deli naprave spravi pod napetost in vodi do električnega udara.

NADALJNA VARNOSTNA IN DELOVNA OPOZORILO

Uporabite zaščitno opremo. Pri delu s strojem vedno nosite zaščitna očala. Priporočajo se zaščitna oblačila, kot npr. maska za zaščito proti prahu, zaščitne rokavice, trdno in nedrseče obušalno, čelada in zaščita za sluh.

Prah, ki nastaja pri delu, je pogosto zdravju škodljiv in naj ne zaide v telo. Nosite ustrežno masko proti prahu.

Obdelava materialov, iz katerih izhaja ogroženost zdravja (npr. azbest), ni dovoljena.

V primeru blokade orodja napravo takoj izklopite! Naprave ponovno ne vklopljajte dokler je orodje blokirano; pri tem bi lahko prišlo do povratnega udara z velikimi reakcijskim

momentom. Ugotovite in odpravite vzroke blokade orodja ob upoštevanju varnostnih navodil.

Možni razlogi so lahko:

- Zagostitev v obdelovancu
- prežganje obdelovanega materiala
- Preobremenitev električnega orodja

Ne segajte v stroj v teku.

Orodje lahko med uporabo postane vroče.

OPOZORILO! Nevarnost opeklina

- pri menjavi orodja
- pri odlaganju naprave

Trske ali iveri se pri tekočem stroju ne smejo odstranjevati.

Pri delih na steni, stropu ali v tleh pazite na električne kable, plinske in vodne napeljave.

Obdelovavec zavarujte z vpenjalno pripravo. Nezavarovani obdelovanci lahko povzročijo težke poškodbe in okvare.

Pred vsemi deli na stroji odstranite izmenljivi akumulator.

Izbrbljenih izmenljivih akumulatorjev ne mečite v ogenj ali v gospodinjске odpadke. Milwaukee nudi okolju prijazno odlaganje starih izmenljivih akumulatorjev; prosimo povprašajte vašega strokovnega trgovca.

Izmenljivih akumulatorjev ne hranite skupaj s kovinskimi predmeti (nevarnost kratkega stika).

Izmenljive akumulatorje sistema M12 polnite samo s polnilnimi aparati sistema M12. Ne polnite nobenih akumulatorjev iz drugih sistemov.

Izmenljivih akumulatorjev in polnilnih aparatov ne odpirajte in jih hranite samo v suhih prostorih. Zaščitite jih pred mokroto.

Pod ekstremno obremenitvijo ali ob ekstremni temperaturi

iz poškodovanega izmenljivega akumulatorja lahko izteka akumulatorska tekočina. Po stiku z akumulatorsko tekočino prizadeto mesto takoj izperite z vodo in milom. Po stiku z očmi takoj najmanj 10 minut dolgo temeljito izpirajte in nemudoma obiščite zdravnika.

Opozorilo! V izogib, s kratkim stikom povzročene nevarnosti požara, poškodb ali okvar na proizvodu, orodja, izmenljivega akumulatorja ali polnilne naprave ne potaplajte v tekočine in poskrbite, da ne bo prihajalo do vdora tekočin v naprave in akumulatorje. Korozivne ali prevodne tekočine, kot so slana voda, določene kemikalije in belila ali proizvodi, ki le ta vsebujejo, lahko povzročijo kratek stik.

UPORABA V SKLADU Z NAMEMBNOŠTJO

Univerzalen namen uporabe akumulatorskega udarnega vijaka služi privitju in odvrtju vijakov in matic, neodvisno od omrežnega priklopa.

Ta naprava se sme uporabiti samo v skladu z namembnostjo uporabiti samo za navede namene.

PREOSTALA TVEGANJA

Tudi pri pravilni uporabi vseh pretalnih tveganj ni mogoče izključiti. Pri uporabi lahko pride do sledečih nevarnosti, na katere naj bo uporabnik zmeraj pozoren:

- Vsled vibracij povzročene poškodbe. Napravo držite za temu namenu predvidene ročaje in omejite čas dela in izpostavljenosti.
- Obremenitev s hrupom lahko privede do poškodb sluha. Nosite zaščito sluha in omejite dovo izpostavljenosti.
- Vsled delcev nečistoč povzročene poškodbe oči. Nosite zmeraj zaščitna očala, močne dolge hlače, rokavice in močno obutev.
- Vdihanje nevarnih prahov.

DELOVANJE

Opomba: Priporočljivo je, da se po pritrditvi vedno preveri zatezni moment z momentnim ključem.

Na zatezni moment vplivajo različni dejavniki, vključno z naslednjimi.

- Stanje napoljenosti baterije - Ko se baterija izprazni, napetost pade in se zatezni moment zmanjša.
- Hitrosti - uporaba orodja pri nizki hitrosti povzroči manjši zatezni moment.
- Pritrdilni položaj - Način držanja orodja ali pritrilnega elementa vpliva na zatezni moment.
- Vrtljivi ali vtični vložek - Uporaba vrtljivega ali vtičnega vložka z napačne velikosti ali uporaba opreme ki ni odporna na udarce zmanjšuje zatezni moment.
- Uporaba opreme in podaljškov - odvisno od opreme ali podaljška se lahko zniža zatezni moment udarnega vijaka.
- Vijak/matica - Zatezni moment se lahko razlikuje glede na premer, dolžino in razred trdnosti vijaka/matic.
- Stanje pritrilnih elementov - Onesnaženi, korodirani, suhi ali mazani pritrilni elementi lahko vplivajo na zatezni moment.
- Deli, ki jih je treba priviti - Trdnost delov, ki jih je treba priviti, in katera koli komponenta med njimi (suha ali mazana, mehka ali trdna, vijak, tesnilo ali podložka) lahko vplivajo na zatezni moment.

NAČINI PRIVIJANJA

Čim dlje vijate sornik, vijak ali matico z udarnim vijakom, tem bolj jih pritegnete.

Da bi se izognili poškodbam pritrilnih sredstev ali obdelovancev, se izogibajte prekomernemu trajanju udarcev. Bodite še posebej previdni pri delu z manjšimi pritrilnimi sredstvi, ker potrebujejo manjše število udarcev, da dosežete najboljši zatezni moment.

Vadite z različnimi pritrilnimi elementi in si zapomnite čas, ki ga potrebujete, da dosežete zeleni zatezni moment.

Preverite zatezni moment z ročnim momentnim ključem.

Če je zatezni moment previsok, zmanjšajte trajanje udarcev.

Če je zatezni moment nezadosten, povečajte trajanje udarcev.

Olje, umazanija, rja ali drugi nečistoče na navojih ali pod glavo pritrilnih sredstev vplivajo na raven zateznega momenta.

Navor, potreben za sprostitve pritrilnih sredstev, je v povprečju 75% do 80% zateznega momenta, odvisno od stanja kontaktnih površin.

Vijaki privijte nekoliko z relativno nizkim zateznim momentom in uporabite ročni momentni ključ za trdno privijanje.

KRMILJENJE POGONA



Gumb za krmiljenje pogona se uporablja za nastavitve hitrosti vrtljajev (min^{-1}) specifično za aplikacijo.

V načinu privijanja v pločevini naprava deluje z največjo hitrostjo vrtljajev, dokler se vijak ne privije. Nato se hitrost vrtljajev zmanjša za izboljšanje kontrole, dokler se vijak popolnoma ne potopi v obdelovanec.

NAPOTKI ZA LITIJSKE AKUMULATORJE

Uporaba litij-ionskih akumulatorjev

Akumulatorje, ki jih daljši čas niste uporabljali, pred uporabo naknadno napolnite.

Temperatura nad 50°C zmanjšuje zmogljivost akumulatorja. Izogibajte se daljšemu segrevanju zaradi sončnih žarkov ali grelja.

Pazite, da ostanejo priključni kontakti na polnilnem aparatu in izmenljivem akumulatorju čisti.

za optimalno življenjsko dobo je potrebno akumulatorje po uporabi do konca napolniti.

Za čim daljšo življenjsko dobo naj se akumulatorji po napolnitvi vzamejo ven iz naprave za polnjenje.

Pri skladiščenju akumulatorjev dalj kot 30 dni: Akumulator skladiščiti pri 27°C in na suhem. Akumulator skladiščiti pri 30%-50% stanja polnjenja. Akumulator spet napolniti vsakih 6 mesecev.

Preobremenitvena zaščita litij-ionskih akumulatorjev

V primeru preobremenitve akumulatorja zaradi visoke porabe toka, npr. ekstremno visokih vrtilnih momentov, nenadne zaustavitve ali kratkega stika, električno orodje 5 sekund vibrira, prikazovalnik polnjenja utripa, električno orodje pa se samodejno izklopi.

Za ponoven vklop izpusite pritisno stikalo in nato znova vklopite.

Pod ekstremnimi obremenitvami se akumulator premočno segreva. V tem primeru utripajo vse lučke prikazovalnika polnjenja dokler se akumulator ne ohladi. Za tem, ko prikazovalnik polnjenja ugasne lahko z delom nadaljujemo.

Transport litij-ionskih akumulatorjev

Litij-ionski akumulatorji so podvrženi zakonskim določbam transporta nevarnih snovi.

Transport teh akumulatorjev se mora izvajati upoštevajoč lokalne, nacionalne in mednarodne predpise in določbe.

• Potrošniki lahko te akumulatorje še nadalje transportirajo po cesti.

• Komerčni transport litij-ionskih akumulatorjev s strani špediterskih podjetij je podvržen določbam transporta nevarnih snovi. Priprava odpreme in transporta se lahko vrši izključno s strani ustrezno izšolanih oseb. Celoten proces je potrebno strokovno spremljati.

Pri transportu akumulatorjev je potrebno upoštevati sledeče točke:

- V izogib kratkim stikom zagotovite, da bodo kontakti zaščiteni in izolirani.
- Bodite pozorni na to, da paket akumulatorja v notranjosti embalaže ne bo mogel zdrsniti.
- Poškodovanih ali iztekajočih akumulatorjev ni dovoljeno transportirati.

Za nadaljnja navodila se obrnite na vaše špeditersko podjetje.

ČIŠČENJE

Pazite na to, da so prezračevalne reže stroja vedno čiste.

VZDRŽEVANJE

Uporabljajte samo Milwaukee pribor in Milwaukee nadomestne dele. Poskrbite, da sestavne dele, katerih zamenjava ni opisana, zamenjajo v Milwaukee servisni službi (upoštevajte brošuro Garancija aslovi servisnih služb).

Po potrebi je mogoče pri vašem servisnem mestu ali neposredno pri Techtronic Industries GmbH, Max-Eyth-Straße 10, 71364 Winnenden, Germany, naročiti eksplozijsko risbo naprave ob navedbi tipa stroja in na tablici navedene šestmestne številke.

SIMBOLI



Prosimo, da pred uporabo pozorno preberete to navodilo za uporabo.



POZOR! OPOZORILO! NEVARNO!



Pred vsemi deli na stroji odstranite izmenljivi akumulator.



Odpadnih baterij, odpadne električne in elektronske opreme ne odstranjujte kot nesortirani komunalni odpadki. Odpadne baterije ter odpadno električno in elektronsko opremo je treba zbirati ločeno.

Odpadne baterije, odpadne akumulatorje in svetlobne vire je treba odstraniti iz opreme. Za nasvet glede recikliranja in zbirnih mest se obrnite na lokalno oblast ali trgovca.

V skladu z lokalnimi predpisi so lahko trgovci na drobno obvezani, da morajo brezplačno vzeti nazaj odpadne baterije ter odpadno električno in elektronsko opremo.

Vaš prispevek k ponovni uporabi in recikliranju odpadnih baterij ter odpadne električne in elektronske opreme pomaga pri zmanjševanju povpraševanja po surovinah.

Odpadne baterije, še posebej tiste, ki vsebujejo litij, ter odpadna električna in elektronska oprema vsebujejo dragocene materiale, primerne za recikliranje, ki imajo lahko, če niso odstranjeni na okolju prijazen način, škodljive posledice za okolje in zdravje ljudi.

Z odpadne opreme izbršite osebne podatke, če obstajajo.



Oprema – ni vsebovana v obsegu dobave, priporočeno dopolnilo iz programa opreme.



n_0 Število vrtljajev prostega teka



IPM Število udarcev



V Napetost



Enosmerni tok



Evropska oznaka za združljivost



UK CA Britanska oznaka o skladnosti



Ukrajinska oznaka za združljivost



001 Evrazijska oznaka za združljivost

TEHNIČKI PODACI	M12 FID2
Vrsta izvedbe	Akumulatorski udarni izvijač
Broj proizvodnje	4812 94 01 XXXXX MJJJJ
Napon baterije za zamjenu	12 V ---
Područja praznohodne brzine vrtnje 1 / 2 / 3 /	0–1700 / 0–2900 / 0–3600 / 0–3600 min ⁻¹
Max. broj udara	0–4000 min ⁻¹
Max. privlačni moment	170 Nm
Priključivanje alata	1/4" (6mm) HEX
Maksimalna veličina vijka / veličina matice	M14
Težina po EPTA-proceduri 01/2014 (2,0...6,0 Ah)	0,91...1,1 kg
Preporučena temperatura okoline kod rada	-18...+50 °C
Preporučeni tipovi akumulatora	M12B...
Preporučeni punjači	M12-18C, M12-18AC, M12-18FC, C12C

Informacije o buci: Mjerne vrijednosti utvrđene odgovarajuće EN 6284 1.

A-ocijenjeni nivo buke aparata iznosi tipično:

Nivo pritiska zvuka / Nesigurnost K

99,25 dB(A) / 3 dB(A)

Nivo učinka zvuka / Nesigurnost K

110,25 dB(A) / 3 dB(A)

Nositi zaštitu sluha!

Informacije o vibracijama:

Ukupne vrijednosti vibracije (Vektor suma tri smjera) su odmjerene odgovarajuće EN 6284 1.

Vrijednost emisije vibracije a_v / Nesigurnost K

14,35 m/s² / 1,5m/s²

UPOZORENIE!

Razine emisije vibracija i buke navedena u ovom informacijskom listu izmjerene su u skladu sa standardiziranim ispitom koji propisuje EN 6284 1 i mogu se upotrebljavati za međusobnu usporedbu alata. Također se mogu upotrebljavati za prethodnu procjenu izloženosti.

Navedene razine emisija vibracija i buke predstavljaju glavnu svrhu primjene alata. Međutim, ako se alat upotrebljava u druge svrhe, s drugim priborom ili se ne održava dovoljno, emisije vibracija i buke mogu biti drukčije. To može značajno povećati razinu izloženosti tijekom cjelokupna razdoblja rada.

Procjena razine izloženosti vibracijama i buci također bi u obzir trebala uzeti razdoblja tijekom kojih je alat isključen ili kada je uključen, no njime se ne obavlja nikakav rad. Time se značajno može smanjiti razina izloženosti tijekom cjelokupna razdoblja rada.

Utvrđite dodatne sigurnosne mjere kako biste zaštitili rukovatelja od ovih učinaka vibracija i/ili buke, primjerice: održavanje alata i pribora, osiguravanje da ruke budu tople, organizacija obrazaca rada.

UPOZORENIE! Treba pročitati sve napomene o sigurnosti, upute, prikaze i specifikacije za ovaj električni alat. Propusti kod pridržavanja sljedećih uputa može uzrokovati strujni udar, požar i/ili teške ozljede. Sačuvajte sve napomene o sigurnosti i upute za buduću primjenu.

SIGURNOSNE UPUTE ZA UDARNI IZVIJAČ

Kod uradnog bušenja nosite zaštitu za sluh. Djelovanje buke može uzrokovati gubitak sluha.

Držite spravu na izoliranim držačkim površinama kada izvodite radove kod kojih rezački alat može pogoditi skrivene vodove struje. Kontakt rezačkog alata sa vodovima koji sprovode naponom može metalne dijelove sprave dovesti pod napon i tako dovesti do električnog udara.

OSTALE SIGURNOSNE I RADNE UPUTE

Upotrebljavati zaštitnu opremu. Kod radova sa strojem uvijek nositi zaštitne naočale. Preporučuje se zaštitna odjeća, kao zaštitna maska protiv prašine, zaštitne rukavice, čvrste i protiv klizanja sigurne cipele, šljem i zaštitu sluha.

Prašina koja nastaje prilikom rada je često nezdrava i ne bi smijela dospjeti u tijelo. Nositi prikladnu zaštitnu masku protiv prašine.

Ne smiju se obrađivati nikakvni materijali, od kojih prijeto opasnost po zdravlje (npr. azbest).

Kod blokiranja alata koji se upotrebljava uređaj molimo odmah isključiti! Uređaj nemojte ponovno uključiti za vrijeme dok je alat koji se upotrebljava blokiran; time može doći do povratnog udara sa visokim reakcijskim momentom. Pronađite i otklonite uzrok blokiranja alata koji se upotrebljava uz poštivanje sigurnosnih uputa.

Mogući uzroci tome mogu biti:

- Izobličavanje u izratku koji se obrađuje
- Probijanje materijala koji se obrađuje
- Preopterećenje električnog alata

Nemojte sezati u stroj koji radi.

Upotrebljeni alat se može za vrijeme korištenja zagrijati.

UPOZORENIE! Opasnost od opekotina

- kod promjene alata
- kod odlaganja uređaja

Piljevina ili iverje se za vrijeme rada stroja ne smiju odstranjivati.

Kod radova na zidu, stropu ili podu paziti na električne kablove kao i vodove plina i vode.

Osigurajte vaš izradak jednim stezним uređenjem. Neosigurani izradci mogu prouzročiti teške povrede i oštećenja.

Prije svih radova na stroju izvaditi bateriju za zamjenu.

Istrošene baterije za zamjenu ne bacati u vatu ili u kućno smeće. Milwaukee nudi mogućnost uklanjanja starih baterija odgovarajuće okolini. Milwaukee nudi mogućnost uklanjanja starih baterija odgovarajuće okolini; upitajte molimo Vašeg stručnog trgovca.

Baterije za zamjenu ne čuvati skupa sa metalnim predmetima (opasnost od kratkog spoja).

Baterije sistema M12 puniti samo sa uređajem za punjenje sistema M12. Ne puniti baterije iz drugih sistema.

Baterije za zamjenu i uređaje za punjenje ne otvarati i čuvati ih samo u suhim prostorijama. Čuvati protiv vlage.

Pod ekstremnim opterećenjem ili ekstremne temperature može iz oštećenih baterija iscuriti baterijska tekućina. Kod dodira sa baterijskom tekućinom odmah isprati sa vodom i sapunom. Kod kontakta sa očima odmah najmanje 10 minuta temeljno ispirati i odmah potražiti liječnika.

Upozorenje! Zbog izbjegavanja opasnosti od požara jednim kratkim spojem, opasnosti od ozljeda ili oštećenja proizvoda, alat, izmjenjivi akumulator ili napravu za punjenje ne urojavati u tekućine i pobrinite se za to, da u uređaje ili akumulator ne prodiru nikakve tekućine. Korozirajuće ili vodljive tekućine kao sliana voda, određene kemikalije i sredstva za bijeljenje ili proizvođači koji sadrže sredstva bijeljenja, mogu prouzročiti kratak spoj.

PROPISNA UPOTREBA

Udarni zavrtač sa akumulatorom je univerzalno upotrebljiv za pričvršćivanje i odvrtnje vijaka i matica, nezavisno od priključka struje.

Ovaj aparat se smije upotrijebiti samo u određene svrhe kao što je navedeno.

PREOSTALI RIZICI

I kod pravilne uprabe se ne mogu isključiti svi ostaci rizika. Kod uporabe mogu nastati sljedeće opasnosti, na koje poslužioc mora obratiti posebnu pažnju:

- Vibracijama prouzročene ozljede. Uređaj držite na za to predviđenim drškama i ograničite radno vrijeme i vrijeme ekspozicije.
- Opterećenje bukom može dovesti do oštećenja sluha. Nosite zaštitu sluha i ograničite trajanje ekspozicije.
- Česticama prljavštine prouzročene ozljede očiju. Nosite uvijek zaštitne naočale, zatvorene duge hlače, rukavice i zatvorene cipele.
- Udisanje otrovnih prašina.

POSLUŽIVANJE

Uputa: Preporučuje se, poslije pričvršćenja zakretni moment privlačenja uvijek provjeriti jednim zakretnim moment ključem.

Na zakretni moment privlačenja se utječe mnogim faktorima, uključujući sljedeće.

- Stanje punjenja baterije - Kada je baterija ispražnjena, napon opada i zakretni moment privlačenja se smanjuje.
- Broj okretaja - Primjena alata kod niske brzine vodi do jednog manjeg zakretnog momenta privlačenja.
- Pozicija pričvršćenja - Vrsta i način, kako držite alat ili element koji se pričvršćuje, utječe na zakretni moment privlačenja.
- Zakretni/utični umetak - Primjena zakretnog ili utičnog umetka pogrešne veličine ili primjena pribora koji je neotporan na udare, reducira zakretni moment privlačenja.
- Primjena pribora i produženja - zavisno o priboru ili produženju, zakretni moment privlačenja udarnog zavrtača može biti reduciran.
- Vijak/Matica - zakretni moment privlačenja može zavisno o promjeru, dužini, kategoriji čvrstoće vijka/matice varirati.
- Stanje pričvršnih elemenata - uprljani, korozni, suhi ili podmazani pričvršni elementi mogu utjecati na zakretni moment privlačenja.
- Dijelovi koji se spajaju - Čvrstoća dijelova koji se spajaju i svaki element između toga (suhi ili podmazani, meki ili tvrdi, ploča, brtva ili podloška) mogu utjecati na zakretni moment privlačenja.

TEHNIKE UVRTANJA

Što duže se jedan svornjak, matica ili udarnim zavijačem opterećuju, to će ovi jače biti stegnuti.

Zbog izbjegavanja oštećenja pričvrsnog sredstva ili izratka, izbjegavajte prekomjerno trajanje udaranja.

Budite posebno oprezni, ako djelujete na manja pričvrсна sredstva, jer je ovima je potrebno manje udaraca da bi se postigao optimalan zakretni moment privlačenja.

Vježbajte s raznim pričvrsnim elementima i zapamtite vrijeme koje vam je potrebno za postizanje poželjnog zakretnog momenta privlačenja.

Zakretni moment privlačenja provjerite jednim ručnim zakretnim moment ključem.

Ako je zakretni moment privlačenja previsok, smanjite vrijeme udaranja.

Ukoliko zakretni moment nije dovoljan, povećajte vrijeme udaranja.

Ulje, prljavština, hrđa ili druge prljavštine na navojima ili ispod glave pričvrsnog sredstva utječu na visinu zakretnog momenta privlačenja.

Za odvrtnje jednog pričvrsnog sredstva potrebni zakretni moment iznosi prosječno 75% do 80% od zakretnog momenta privlačenja, zavisno o stanju kontaktnih površina.

Izvodite lake radove zavrtnja s jednim relativno niskim zakretnim momentom privlačenja i uporabite za finalno pritezanje jedan ručni zakretni moment ključ.

UPRAVLJANJE ZAGONOM



Tipka za upravljanje zagonom služi za primejensko zavisno namještanje broja okretaja (min⁻¹).

U modusu vijka za lim uređaj radi sa maksimalnim brojem okretaja, dok vijak nije uvrtut. Poslije toga se broj okretaja zbog bolje kontrole smanjuje, dok vijak nije sasvim upušen.

UPUTE ZA LI-ION-AKUMULATORE

Korištenje Li-ion-akumulatora

Baterije koje duže vremena nisu korištene, prije upotrebe napuniti.

Temperatura od preko 50°C smanjuje učinak baterija. Duže zagrijavanje od strane sunca ili grijanja izbjeci.

Priključne kontakte na punjaču i na akumulatoru držati čistima.

Za optimalni vijek trajanja se akumulatori poslije upotrebe moraju sasvim napuniti.

Za što moguće duži vijek trajanja akumulatori se nakon punjenja moraju odstraniti iz punjača.

Kod skladištenja akumulatora duže od 30 dana:

Akumulator skladištiti na suhom kod ca. 27°C.

Akumulator skladištiti kod ca. 30%-50% stanja punjenja.

Akumulator ponovno napuniti svakih 6 mjeseci.

Zaštita od preopterećenja akumulatora kod Li-ion-akumulatora

Kod preopterećenja akumulatora kroz vrlo visoku potrošnju struje, npr. ekstremno visoki zakretni momenti, električni alat vibrira za vrijeme od 5 sekundi, pokazivač punjenja treperi i električni alat se samostalno isključuje.

Za ponovno uključivanje ispuštiti oksida šklopke i zatim ponovno uključiti. Pod ekstremnim opterećenjima se akumulator prejako zagrije. U tome slučaju trepere sve lampice pokazivača punjenja, sve dok se akumulator ne ohladi. Poslije gašenja pokazivača punjenja se može nastaviti sa radom.

Transport Li-Ion-akumulatora

Litijske-ionske baterije spadaju pod zakonske odredbe u svezi transporta opasne robe.

Prijevoz ovih baterija mora uslijediti uz poštivanje lokalnih, nacionalnih i internacionalnih propisa i odredaba.

- Korisnici mogu bez ustručavanja ove baterije transportirati po cestama.
- Komercijalni transport litijsko-ionskih baterija od strane transportnih poduzeća spada pod odredbe o transportu opasne robe. Otpremničke pripreme i transport smiju izvoditi isključivo odgovarajuće školovane osobe. Kompletni proces se mora pratiti na stručan način.

Kod transporta baterija se moraju poštivati slijedeće točke:

- Uvjerite se da su kontakti zaštićeni i izolirani kako bi se izbjegli kratki spojevi.
- Pazite na to, da blok baterija unutar pakiranja ne može proklizavati.
- Oštećene ili iscurjele baterije se ne smiju transportirati.

U svezi ostalih uputa obratite se vašem prijevoznom poduzeću.

ČIŠĆENJE

Prereze za prozračivanje stroja uvijek držati čistima.

ODRŽAVANJE

Primijeniti samo Milwaukee opremu i Milwaukee rezervne dijelove. Sastavne dijelove, čija zamjena nije opisana, dati zamijeniti kod jedne od Milwaukee servisnih službi (poštivati brošuru Garancija/Adrese servisa).

Po potrebi se crtež pojedinih dijelova aparata uz navođenje podatka o tipu stroja i šestznamenastog broja na pločici snage može zatražiti kod vašeg servisa ili direktno kod Techtronic Industries GmbH, Max-Eyth-Straße 10, 71364 Winnenden, Njemačka.

SIMBOLI



Molimo da pažljivo pročitate uputu o upotrebi prije puštanja u rad.



PAŽNJA! UPOZORENIE! OPASNOST!



Prije svih radova na stroju izvaditi bateriju za zamjenu.



Stare baterije, električni i elektronički uređaji se ne smiju zbrinjavati skupa sa kućnim smećem. Stare baterije, električni i elektronički uređaji se moraju odvojeno skupljati i zbrinuti. Prije zbrinjavanja odstranite stare baterije, stare akumulatore i rasvjetna sredstva iz uređaja.

Raspitajte se kod mjesnih vlasti ili kod Vašeg stručnog trgovca o mjestima recikliranja i mjestima skupljanja.

Zavisno o mjesnim odredbama stručni trgovci mogu biti obvezatni, stare baterije, i električne i elektroničke stare uređaje besplatno uzeti nazad.

Doprinesite kroz ponovnu primjenu i recikliranje Vaših starih baterija, električnih i elektronskih uređajatom, da se potreba za sirovinama smanji.

Stare baterije (prije svega litij-ionske baterije, električne i elektronske stare uređaje sadrže dragocjene, ponovno uporabljive materijale, kojie bi kod zbrinjavanja protivno očuvanju okoline mogli imati negativne posljedice za okolinu i Vaše zdravlje.

Prije zbrinjavanja izbrisite postojeće podatke koji se odnose na osobe, koji se po mogućnosti nalaze na Vašem starom uređaju.

Oprema - u opsegu isporuke nije sadržana, preporučena dopuna iz promgrama opreme.



Broj okretaja u praznom hodu



Broj udaraca



Napon



Istosmjerna struja



Europski znak suglasnosti



Britanski znak suglasnosti



Ukrajinski znak suglasnosti



Euroazijski znak suglasnosti

TEHNIŠKIE DATI

	M12 FID2
Konstrukcija	Akumulatora trieciena skrūvgriezis
Izlaides numurs	4812 94 01 XXXXX MJJJJ
Akumulātorā spriegums	12 V ---
Tukšgaitas apgriezienu skaita intervāli 1 / 2 / 3 / 4	0–1700 / 0–2900 / 0–3600 / 0–3600 min ⁻¹
Maks. sitienu skaits	0–4000 min ⁻¹
Maks. pievilkšanas moments	170 Nm
Instrumentu stiprinājums	1/4" (6mm) HEX
Maksimālais skrūves lielums/uzgriežna lielums	M14
Svars atbilstoši EPTA -Procedure 01/2014 (2,0...6,0 Ah)	0,91...1,1 kg
Leteicamā vides temperatūra darba laikā	-18...+50 °C
Leteicamie akumulatoru tipi	M12B...
Leteicamās uzlādes ierīces	M12-18C, M12-18AC, M12-18FC, C12C
Trokšņu informācija: Vērtības, kas noteiktas saskaņā ar EN 62841. A novērtētās aparatūras skaņas līmenis ir: Trokšņa spiediena līmenis / Nedrošība K Trokšņa jaudas līmenis / Nedrošība K	 99,25 dB(A) / 3 dB(A) 110,25 dB(A) / 3 dB(A)
Nēsāt trokšņa slāpētāju!	
Vibrāciju informācija: Svārstību kopējā vērtība (Trīs virzienu vektoru summa) tiek noteikta atbilstoši EN 62841. Svārstību emisijas vērtība a _h / Nedrošība K	 14,35 m/s ² / 1,5m/s ²

Uzmanību!

Vibrācijas un trokšņa emisijas līmenis šajā informācijas lapā ir izmērīts saskaņā ar EN 62841 standarta testa metodi un var tikt izmantots, lai salīdzinātu vienu ierīci ar otru. Tas var tikt izmantots ietekmes sākotnējai izvērtēšanai.

Norādītais vibrācijas un trokšņa emisijas līmenis attēlo ierīces galvenos izmantošanas veidus. Tomēr, ja ierīce tiek izmantota citiem mērķiem, ar citu papildaprīkojumu vai nepareizi apkalpota, vibrācijas un trokšņa emisija var atšķirties. Tas var ievērojami paaugstināt ietekmes līmeni visā darba laikā.

Novērtējot vibrācijas un trokšņa ietekmes līmeni, vajadzētu ņemt vērā arī laiku, kad ierīce ir izslēgta vai ieslēgta, taču netiek lietota. Tas var ievērojami samazināt ietekmes līmeni visā darba laikā.

Lai aizsargātu operatoru no vibrācijas un/vai trokšņa, veiciet papildu drošības pasākumus, piemēram, veiciet apkopi ierīcei un papildaprīkojumam, uzturiet rokas siltas, organizējiet darba grafiku.

BRĪDINĀJUMS Izlasiet visus šim elektroinstrumentam pievienotos drošības brīdinājumus, instrukcijas, ilustrācijas un specifikācijas. Nespēja ievērot visas zemāk uzskaitītās instrukcijas var novest pie elektrošoka, ugunsgrēka un/vai smagiem savainojumiem. **Pēc izlasīšanas uzglabājiet šos noteikumus turpmākai izmantošanai.**

DROŠĪBAS NOSACĪJUMI LIETOJOT TRIECIENA SKRŪVGRIEZIS

Lietojot dzirdes aizsargu, izmantojot āmururbi. Trokšņa iedarbība var izraisīt dzirdes zudumu.

Turiet ierīci aiz izolētajam turēšanas virsmām, veicot darbus, kur skrūve var skart apslēptus elektrības vadus. Skrūves kontakts ar spriegumu vadošu vadu var ierīces metāla daļas uzlādēt un novest pie elektriskās strāvas triecienu.

GITAS DROŠĪBAS UN DARBA INSTRUKCIJAS

Jāizmanto aizsargaprīkojums. Strādājot ar mašīnu, vienmēr jānēsā aizsargbrilles. Ieteicams nēsāt aizsargapģērbus, kā piemēram, aizsargmasku, aizsargcimdus, kurpes no stingra un neslīdīga materiāla, ķiveri un ausu aizsargus.

Putekļi, kas rodas darba gaitā, bieži ir kaitīgi veselībai un tiem nevajadzētu nokļūt organismā. Jānēsā piemērota maska, kas pasargā no putekļiem.

Nedrīkst apstrādāt materiālus, kas rada draudus veselībai (piemēram, azbestu).

Ja izmantojamais darba rīks tiek bloķēts, nekavējoties

izslēgt ierīci! Neieslēdziet ierīci, kamēr izmantojamais darba rīks ir bloķēts; var rasties atstiens ar augstu griezes momentu. Noskaidrojiet un novērsiet izmantojamā darba rīka bloķēšanas iemeslu, ievērojot visas drošības norādes.

Iespējamie iemesli:

- iesprūdis apstrādājamajā materiālā
- apstrādājamais materiāls ir caursists
- elektroinstrumenti ir pārslogots

Leslēgtai ierīcei nepieskarti.

Izmantojamais darba rīks darba gaitā var stipri sakarst.

UZMANĪBU! Bīstamība apdedzināties

- veicot darba rīka nomaiņu
- noliekot iekārtu

Skaidas un atūzas nedrīkst ņemt ārā, kamēr mašīna darbojas.

Veicot darbus sienā, griestu un grīdas apvidū, vajag uzmanīties, lai nesabojātu elektriskos, gāzes un ūdens vadus.

Fiksējiet apstrādājamo materiālu ar fiksācijas aprīkojumu. Nenostiprināti materiāli var izraisīt smagus savainojumus un bojājumus.

Pirms mašīnai veikt jebkāda veida apkopes darbus, ir jāizņem ārā akumulātors.

Izmantotos akumulārus nedrīkst mest ugunī vai parastajos atkritumos. Firma Milwaukee piedāvā iespēju vecos akumulātorus savākt apkārtējo vidi saudzējošā veidā; jautājiet specializētā veikalā.

Akumulātorus nav ieteicams glabāt kopā ar metāla priekšmetiem (iespējams īsslēgums).

M12 sistēmas akumulātorus lādēt tikai ar M12 sistēmas lādētājiem. Nedrīkst lādēt citus akumulātorus no citām

sistēmām.

Akumulātorus un lādētājus nedrīkst tīstīt vaļā un tie jāuzglabā sausās telpās.

Pie ārkārtas slodzes un ārkārtas temperatūrām no bojātā akumulātorā var izteciēt akumulātorā šķidrums. Ja nonākat saskarsmē ar akumulātorā šķidrums, saskarsmes vieta nekavējoties jānomazgā ar ūdeni un ziepēm. Ja šķidrums nonācis acīs, acis vismaz 10 min. skalot un nekavējoties konsultēties ar ārstu.

Brīdinājums! Lai novērstu īssavienojuma izraisītu aizdegšanās, savainojumu vai produkta bojājuma risku, neiegremdējiet instrumentu, maināmo akumulātoru vai uzlādes ierīci šķidrums un rūpējieties par to, lai ierīcēs un akumulātoros neiekļūtu šķidrums. Koroziju izraisoši vai vadītspējīgi šķidrums, piemēram, sālsūdens, noteiktas ķīmikālijas, balinātāji vai produkti, kas satur balinātājus, var izraisīt īssavienojumu.

NOTEIKUMIEM ATBILSTOŠS IZMANTOJUMS

Uzgrīzēju atslēga ar akumulātoru ir universāli izmantojama skrūvju un uzgrīzēju skrūvēšanai un atskrūvēšanai bez tīkla pieslēguma.

Šo instrumentu drīkst izmantot tikai saskaņā ar minētajiem lietošanas noteikumiem.

CITI RISKI

Arī, pareizi lietojot ierīci, nav iespējams izslēgt pilnīgi visus riskus. Lietojot ierīci, var rasties šāds apdraudējums, kam lietotājam jāpievērš īpaša uzmanība:

- Vibrācijas radītas traumas. Turiet ierīci aiz tam paredzētajiem rokturiem un ierobežojiet darbu un ekspozīcijas laiku.
- Troksnis var būt ļoti dzirdīgs. Lietojot dzirdes aizsargierīces un ierobežojiet ekspozīcijas laiku.
- Netīrumu daļiņas var traumēt acis. Vienmēr valkājiet aizsargbrilles, stingras, garas bikses, cimdus un stingrus apavus.
- Indīgu putekļu ieelpošana.

LIETOŠANA

Norādījums: Pēc piestiprināšanas ieteicams ar momentatslēgu vienmēr pārbaudīt pievilksanas griezes momentu.

Pievilksanas griezes momentu ietekmē daudz faktoru, tostarp turpmāk minētie.

- Akumulātorā uzlādes stāvoklis – Ja akumulātors ir izlādējies, spriegums kritīs un pievilksanas griezes moments samazinās.
- Apgrīziena skaits – Ja darbarīku izmanto ar zemu ātrumu, pievilksanas griezes moments ir mazāks.
- Stiprinājuma pozīcija – Tas, kā jūs turat darbarīku vai stiprinājuma elementu, ietekmē pievilksanas griezes momentu.
- Griešanas/uzspraužamais uzgalis – Ja izmanto nepareiza izmēra griešanas vai uzspraužamo uzgali vai piederumus bez triecienuizturības, pievilksanas griezes moments samazinās.
- Piederumu un pagarinājumu izmantošana – Atkarībā no piederumiem vai pagarinājuma triecienskrūvgrieža pievilksanas griezes moments var samazināties.
- Skrūve/uzgrīzēznis – Pievilksanas griezes moments var atšķirties atkarībā no skrūves/uzgrīzēja diametra, garuma un pretestības klases.
- Stiprinājuma elementu stāvoklis – Netīri, sarūsējuši, sausi vai ieeļļoti stiprinājuma elementi var ietekmēt pievilksanas griezes momentu.
- Skrūvējamās daļas – Skrūvējamo daļu pretestība un katra starp tām esošā konstrukcijas detaļa (sausā vai ieeļļota,

miksta vai cieta, disks, blīve vai starplika) var ietekmēt pievilksanas griezes momentu.

IESKRŪVĒŠANAS METODE

Jo ilgāk tapa, skrūve vai uzgrīzēznis tiek noslogoti ar triecienskrūvgriezi, jo ciešāk tie tiek pievilkti.

Lai novērstu stiprinājuma līdzekļu vai sagatavju bojājumus, izvairīties no pārlieku ilgās trieciendarbības.

Esiet īpaši piesardzīgi, iedarbojoties uz mazākiem stiprinājuma līdzekļiem, jo ir nepieciešams mazāk triecienu, lai sasniegtu optimālu pievilksanas griezes momentu.

Vingrinieties strādāt ar dažādiem stiprinājuma elementiem un iegaumējiet laiku, kāds nepieciešams, lai sasniegtu vēlamo pievilksanas griezes momentu.

Pārbaudiet pievilksanas griezes momentu ar rokas momentatslēgu.

Ja pievilksanas griezes moments ir pārāk augsts, samaziniet trieciendarbības laiku.

Ja pievilksanas griezes moments ir nav pietiekams, paaugstiniet trieciendarbības laiku.

Pie stiprinājuma līdzekļa vītņiem vai zem galviņas esošā eļļa, rūsa un citi netīrumi ietekmē pievilksanas griezes momenta apmēru.

Stiprinājuma elementa atskrūvēšanai nepieciešamais griezes moments parasti atbilst vidēji 75 % līdz 80 % no pievilksanas griezes momenta atkarībā no kontaktvirsmu stāvokļa.

Veiciet vieglus ieskrūvēšanas darbus ar relatīvu mazu pievilksanas griezes momentu un galīgai pievilksanai izmantojiet rokas momentatslēgu.

NORĀDĪJUMI LITIJA JONU AKUMULATORIEM

Litija jonu akumulātoru lietošana

Akumulātori, kas ilgāku laiku nav izmantoti, pirms lietošanas jāuzlādē.

Pie temperatūras, kas pārsniedz 50°C, akumulātoru darbība tiek negatīvi ietekmēta. Vajag izvairīties no ilgākas saules un karstuma iedarbības.

Lādētāja un akumulātoru pievienojuma kontakti jāuztur tīri.

Lai baterijas darba ilgums būtu optimāls, pēc iekārtas izmantošanas tā jāuzlādē.

Lai akumulātoru kalpotu pēc iespējas ilgāku laiku, akumulātorus pēc uzlādes ieteicams atvienot no lādētājierīces.

Akumulātoru uzglabāšana ilgāk kā 30 dienas: uzglabāt akumulātoru pie aptuveni 27°C un sausā vietā. Uzglabāt akumulātoru uzlādes stāvoklī aptuveni pie 30%-50%. Uzlādēt akumulātoru visus 6 mēnešus no jauna.

Litija jonu akumulātoru aizsardzība pret pārslodzi

Akumulātoru pārslogojuma gadījumos, esot ļoti lielam elektroenerģijas patēriņam, piem., ārkārtīgi augsts griezes moments, pēkšņa apstāšanās vai īssavienojums, elektriskais darbarīks 5 sekundes vibrē, uzlādes indikators mirgo, un elektriskais darbarīks pats izslēdzas.

Lai to atkal ieslēgtu, atļaidiet ieslēgšanas pogu un tad to ieslēdziet no jauna.

Esot ārkārtīgi augstam noslogojumam, akumulātors sakarst pārāk daudz. Šādā gadījumā visas uzlādes indikatora lampiņas mirgo tik ilgi, kamēr akumulātors ir atdzisis. Darbu varat turpināt, kad uzlādes indikators vairs nedeg.

Litija jonu akumulātoru transportēšana

Uz litija jonu akumulātoriem attiecas noteikumi par bīstamo kravu pārvadāšanu.

Šo akumulātoru transportēšana jāveic saskaņā ar vietējiem, valsts un starptautiskajiem normatīvajiem aktiem un noteikumiem.

- Patērētāja darbības, pārvadājot šos akumulātorus pa

autoceļiem, nav reglamentētas.

- Uz litija jonu akumulātoru komerciālu transportēšanu, ko veic ekspedīcijas uzņēmums, attiecas bīstamo kravu pārvadāšanas noteikumi. Sagatavošanas darbus un transportēšanu drīkst veikt tikai atbilstoši apmācīts personāls. Viss process jāveda profesionāli.

Veicot akumulātoru transportēšanu, jāievēro:

- Pārlecieties, ka kontakti ir aizsargāti un izolēti, lai izvairītos no īssavienojumiem.
- Pārlecieties, ka akumulātors iepakojumā nevar paslīdēt.
- Bojātus vai tekošus akumulātorus nedrīkst transportēt.

Plašāku informāciju Jūs varat saņemt no ekspedīcijas uzņēmuma.

TĪRĪŠANA



Vajag vienmēr uzmanīties, lai būtu tīras dzesēšanas atveres.

APKOPE

Izmantojiet tikai firmu Milwaukee piederumus un firmas Milwaukee rezerves daļas. Lieciet nomainīt detaļas, kuru nomaīna nav aprakstīta, kādā no firmu Milwaukee klientu apkalpošanas servisiem. (Skat. brošūru "Garantija/klientu apkalpošanas serviss".)

Pēc pieprasījuma, Jūsu Klientu apkalpošanas centrā vai pie Technotronic Industries GmbH, Max-Eyth-Straße 10, 71364 Winnenden, Vācijā, ir iespējams saņemt iekārtas montāžas rasējumu, iepriekš norādot iekārtas modeli un sērijas numuru, kas atrodas uz datu plāksnītes un sastāv no sešiem simboliem.

SIMBOLI

	Pirms sākt lietot instrumentu, lūdzu, izlasiet lietošanas pamācību.
	UZMANĪBU! BĪSTAMI!
	Pirms mašīnai veikt jebkāda veida apkopes darbus, ir jāizņem arī akumulātors.
	Neutilizējiet bateriju atkritumus, elektrisko un elektronisko iekārtu atkritumus kā nešķirotus sadzīves atkritumus. Bateriju atkritumi un elektrisko un elektronisko iekārtu atkritumi ir jāsavāc atsevišķi. Bateriju atkritumi, akumulātoru atkritumi un gaismas avotu atkritumi ir jānoņem no iekārtas. Sazinieties ar vietējo iestādi vai mazumtirgotāju, lai iegūtu padomus par atbilstošo pārstrādi un savākšanas punktu. Atkarībā no vietējiem noteikumiem, mazumtirgotājiem var būt pienākums bez maksas pieņemt atpakaļ bateriju atkritumus un elektrisko un elektronisko iekārtu atkritumus. Jūsu ieguldījums bateriju atkritumu un elektrisko un elektronisko iekārtu atkritumu atkārtotā izmantošanā un otrreizējā pārstrādē palīdz samazināt pieprasījumu pēc izejvielām. Bateriju atkritumos, īpaši tajos, kas satur litiju, un elektrisko un elektronisko iekārtu atkritumos ir vērtīgi, otrreiz pārstrādājami materiāli, kas var negatīvi ietekmēt vidi un cilvēku veselību, ja tie netiek utilizēti videi draudzīgā veidā. No iekārtu atkritumiem izdzēsiet personāla datus, ja tādi ir.
	Piederumi - standartaprīkojumā neietvertās, bet ieteicamās papildus komplektācijas detaļas no piederumu programmas.
	Tukšgaitas apgrīzietu skaits
	Sitienu skaits
	Spriegums
	Līdzstrāva
	Eiropas atbilstības zīme
	Apvienotās Karalistes atbilstības zīme
	Ukrainas atbilstības zīme
	Eiropas Savienības atbilstības zīme

Ličio jonų akumulatoriaus transportavimas

Ličio jonų akumulatoriams taikomos įstatyminės nuostatos dėl pavojingų krovinių pervežimų.

Šiuos akumulatorius pervežti būtina laikantis vietinių, nacionalinių ir tarptautinių direktyvų ir nuostatų.

- Naudotojai šiuos akumulatorius gali naudoti savo transporte be jokių kitų sąlygų.
- Už komercinį ličio jonų akumuliatorių pervežimą atsako ekspedicijos įmonė pagal nuostatas dėl pavojingų krovinių pervežimo. Pasiruošimo išsiųsti ir pervežimo darbus gali atlikti tik atitinkamai išmokyti asmenys. Visas procesas privalo būti prižiūrimas.

Pervežant akumulatorius būtina laikytis šių punktų:

- Siekiant išvengti trumpųjų jungimų, įsitikinkite, kad kontaktai yra apsaugoti ir izoliuoti.
- Atkreipkite dėmesį, kad akumulatorius pakuotės viduje neslidinėtų.
- Draudžiama pervežti pažeistus arba tekančius akumulatorius.

Dėl detalesnių nurodymų kreipkitės į savo ekspedicijos įmonę.

VALYMAS

Įrenginio vėdinimo angos visada turi būti švarios.

TECHNINIS APARNAVIMAS

Naudokite tik „Milwaukee“ priedus ir „Milwaukee“ atsargines dalis. Dalis, kurių keitimas neprašytas, leidžiama keisti tik „Milwaukee“ klientų aptarnavimo skyriams (žr. garantiją/ klientų aptarnavimo skyrių adresus brošiūroje).

Esant poreikiui, nurodžius mašinos modelį ir šešiaženklį numerį, esantį ant specifikacijų lentelės, klientų aptarnavimo centre arba tiesiogiai „Techtronic Industries GmbH“, Max-Eyth-Str. 10, 71364 Winnenden, Vokietija, galite užsakyti išplėstinį prietaiso brėžinį.

SIMBOLIAI

	Prieš pradėdami dirbti su prietaisu, atidžiai perskaitykite jo naudojimo instrukciją.
	DĖMESIO! ĮSPĖJIMAS! PAVOJUS!
	Prieš atlikdami bet kokius darbus įrenginyje, išimkite keičiamą akumuliatorių.
	Neišmeskite baterijų atliekų, elektros ir elektroninės įrangos atliekų kaip nerūšiuotų komunalinių atliekų. Baterijų ir elektros bei elektroninės įrangos atliekos turi būti surenkamos atskirai. Iš įrangos turi būti pašalintos baterijų, akumuliatorių atliekos ir šviesos šaltiniai. Patarimų dėl perdirdimo ir surinkimo vietos kreipkitės į vietinę instituciją arba pardavėją. Priklausomai nuo vietos teisės aktų, mažmenininkai gali būti įpareigoti nemokamai priimti atgal senas baterijas, seną elektros ir elektronikos įrangą. Jūsų indėlis į pakartotinį baterijų ir elektros bei elektroninės įrangos atliekų panaudojimą ir perdirdimą padeda sumažinti žaliavų poreikį. Akumuliatorių, ypač kurių sudėtyje yra ličio, ir elektros bei elektroninės įrangos atliekose yra vertingų, perdirdamų medžiagų, kurios gali neigiamai paveikti aplinką ir žmonių sveikatą, jei jos nebus šalinamos aplinką tausojančiu būdu. Ištrinkite personalo duomenis iš įrangos atliekų, jei tokių yra.
	Priedas – neįeina į tiekimo komplektaciją, rekomenduojamas papildymas iš priedų asortimento.
	Sūkių skaičius tuščiaja eiga
	Apsukų skaičius
	Įtampa
	Nuolatinė srovė
	Europos atitikties ženklas
	Jungtinės Karalystės atitikties ženklas
	Ukrainos atitikties ženklas
	Eurazijos atitikties ženklas

TEHNILISES ANDMED

	M12 FID2
Konstruksioon	Juthmeta kruvikeeraja
Tootmisnumber	4812 94 01 XXXXXX MJJJJ
Vahetatava aku pinge	12 V ---
Tühikäigupöörete piirkonnad 1 / 2 / 3 / 4	0–1700 / 0–2900 / 0–3600 / 0–3600 min ⁻¹
Max löökide arv	0–4000 min ⁻¹
Max pingutusmoment	170 Nm
Tööriista kinnitus	1/4" (6mm) HEX
Maksimaalne kruvi / mutri suurus	M14
Kaal vastavalt EPTA-protseduurile 01/2014 (2,0...6,0 Ah)	0,91...1,1 kg
Soovituslik ümbritsev temperatuur töötamise ajal	-18...+50 °C
Soovituslikud akutüübid	M12B...
Soovituslik laadija	M12-18C, M12-18AC, M12-18FC, C12C

Mūra andmed: Mõõteväärtused on kindlaks tehtud vastavalt normile EN 62841.

Seadme tüüpiline hinnanguline (müratase):

Helirõhutase / Määramatus K

99,25 dB(A) / 3 dB(A)

Helivõimsuse tase / Määramatus K

110,25 dB(A) / 3 dB(A)

Kandke kaitseks kõrvaklappe!

Vibratsiooni andmed:

Vibratsiooni koguväärtus (kolme suuna vektorsumma) mõõdetud EN 62841 järgi.

Vibratsiooni emissiooni väärtus a_v / Määramatus K

14,35 m/s² / 1,5m/s²

⚠ TÄHELEPANU!

Selle teabelehel toodud vibratsiooni- ja müraemissioon on mõõdetud standardis EN 62841 kirjeldatud standarditud testiga ning seda võib kasutada tööriistade omavaheliseks võrdlemiseks. Testi võib kasutada kokkupuute esialgseks hindamiseks.

Deklaareeritud vibratsiooni- ja müratase puudutab tööriista põhikasutus. Kui tööriista kasutatakse muuks otstarbeks, teistsuguste tarvikutega või tööriista hooldatakse halvasti, võivad vibratsioon ja müraemissioon erineda. See võib kokkupuudetaset kogu tööajal oluliselt suurendada.

Vibratsiooni ja müraga kokkupuute hinnangulise taseme juures tuleb arvesse võtta ka aega, kui tööriist on välja lülitatud või töötab, kuid sellega ei tehta tööd. See võib kokkupuudetaset kogu tööaja kohta oluliselt vähendada.

Tehe kindlaks täiendavad ohutusmeetmed operaatorkaitsemiseks vibratsiooni ja/või müra eest, näiteks: hooldage tööriista ja tarvikuid, hoidke käed soojas, vaadake üle töökorraldus.

⚠ TÄHELEPANU! Kõik selle elektrilise tööriistaga kaasasolevad ohutusnõuded, juhised, joonised ja spetsifikatsioonid tuleb läbi lugeda. Kõigi allpool loetletud juhiste eiramise tagajärjeks võib olla elektrilöök, tulekahju ja/või raske vigastused.
Hoidke kõik ohutusnõuded ja juhised edasiseks kasutamiseks hoolikalt alles.

KRUVITSATE OHUTUSJUHISED:

Kandke löökpuurimisel kuulmekaitset. Müra toime võib põhjustada kuulmiskadu.

Hoidke käed seadme isoleeritud käepidemetel, kui Te teostate töid, mille juures kruvi võib sattuda varjatud voolujuhtmetele. Kruvi kontakt pinget juhtiva juhtmega võib panna metallist seadme osad pingele alla ja põhjustada elektrilöögi.

EDASISES OHUTUS- JA TÖÖJUHISED

Kasutada kaitsevarustust. Masinaga töötamisel kanda alati kaitseprille. Kaitseriietusena soovitatakse kasutada tolmu maski kaitsekindaid, kinniseid ja libisemisvastase tallaga jalanõusid, kiivrit ja kuulmisteede kaitset.

Töö ajal tekkiv tolm on sageli tervistkahjustav ning ei tohiks sattuda organismi. Kanda sobivat kaitsemaski.

Töödelda ei tohi materjale, millest lähtub oht tervisele (nt asbest).

Palun lülitage seade rakendustööriista blokeerumise korral kohe välja! Ärge lülitage seadet sisse tagasi, kuni rakendustööriist on blokeeritud; seejuures võib

kõrge reaktsioonimomendiga tagasilöökk tekkida. Tehe ohutusjuhiseid arvesse võttes kindlaks ja kõrvaldage rakendustööriista blokeerumise põhjus.

Selle võimalikeks põhjusteks võivad olla:

- viltu asetumine töödeldavas toorikus
- töödeldava materjali läbimurdamine
- elektritööriista ülekoormamine

Ärge sisestage jätavasse töötavasse masinasse.

Rakendustööriist võib kasutamise ajal kuumaks minna. **TÄHELEPANU!** Põletusohu

- tööriista vahetamisel
- seadme ärapanemisel

Puru ega pilpaid ei tohi eemaldada masina töötamise ajal.

Seina, lae või põranda tööde puhul pidage silmas elektrijuhtmeid, gaasi- ja veetorusid.

Kinnitage toorik kinnipingutusseadise. Kinnitamata toorikud võivad raskeid vigastusi ja kahjustusi põhjustada.

Enne kõiki töid masina kallal võtke vahetatav aku välja.

Ärge visake tarvitatud vahetatavaid akusid tulle ega olmeprügisse. Milwaukee pakub vanade akude keskkonnahoidlikku käitlust; palun küsige oma erialaselt tarnijalt.

Ärge säilitage vahetatavaid akusid koos metallesemetega (lühiseoht).

Laadige süsteemi M12 vahetatavaid akusid ainult süsteemi M12 laadijatega. Ärge laadige nendega teiste süsteemide akusid.

Ärge avage vahetatavaid akusid ega laadijaid ning ladustage neid ainult kuivades ruumides. Kaitse niiskuse eest.

Äärmuslikul koormusel või äärmuslikul temperatuuril võib

kahjustatud vahetatavast akust akuvedelik välja voolata. Akuvedelikuga kokkupuutumise korral peske kohe vee ja seebiga. Silma sattumise korral loputage kiiresti põhjalikult vähemalt 10 minutit ning pöörduge viivitamatult arsti poole.

Hoiatus! Lühisest põhjustatud tuleohtu, vigastuste või toote kahjustuste vältimiseks ärge kastke tööriista, vahetusakut ega laadimiseadet vedelikku ning jälgige, et vedelikke ei tungiks seadmesse ega akusse. Korrodeeruvad või elektrit juhtivad vedelikud, nagu soolvesi, teatud kemikaalid ja pleegitusained või pleegitusaineid sisaldavad tooted, võivad põhjustada lühisid.

KASUTAMINE VASTAVALT OTSTARBELE

Aku-löökkruvits on universaalne tööriist mutrite ja kruvide kinni- ja lahtikeeramiseks võrguühendusest sõltumata. Antud seadet tohib kasutada ainult vastavalt äranäidatud otstarbele.

JÄÄKOHUD

Jääkohud ei ole välistatud ka otstarbekohase kasutamise korral. Kasutamisel võivad tekkida järgmised ohud, millele kasutaja peab erilist tähelepanu pöörama:

- Vibratsioonist põhjustatud vigastused. Hoidke seadet selleks ette nähtud käepidemetest ja piirake töö- ning toimeaega.
- Mürasaaste võib põhjustada kuulmekahjustusi. Kandke kuulmekaitset ja piirake toimeaega.
- Mustuseosakekestest põhjustatud silmavigastused. Kandke alati kaitseprille, vastupidavaid pikki pükse, kindaid ning tugevaid jalatseid.
- Mürgiste tolmude sissehingamine

KASUTAMINE

Märkus: Pärast kinnikeeramist soovitam pingutusmomenti kontrollida dünamomeetrilise mutrivõtmeaga.

Pingutusmomenti mõjutab suur hulk tegureid, mis hõlmab järgmist:

- Akupatarei laadimisolek. Kui akupatarei on tühjenenud, alaneb tööpinge ja väheneb pingutusmoment.
- Pöörlemiskiirus. Kui tööriista kasutatakse madalal pöörlemiskiirusel, on tagajärjeks vähenenud pingutusmoment.
- Kinnitusasend. Pingutusmomenti mõjutab viis, kuidas hoiate tööriista ja kinnitusvahendit.
- Padrun/adapter. Vale suurusega padruni/adapteri või mittelõgikindlate tarvikute kasutamine vähendab pingutusmomenti.
- Tarvikute ja pikenduste kasutamine. Olenevalt tarvikutest või pikendustest võib löökvõtme pingutusmoment väheneda.
- Kruvi/mutter. Pingutusmoment muutub sõltuvalt kruvi/mutri läbimõõdust, pikkusest ja tugevusklassist.
- Kinnitustetailide seisund. Pingutusmomenti võivad mõjutada määrduvad, korrodeerunud, kuivad või määritud kinnitusvahendid.
- Kinnikeeratavad detailid. Kinnikeeratavate detailide tugevus ja iga konstruktsioonielement nende vahel (kuiv või määritud, pehme või kõva, seib, tihend või lameiseib) võib pingutusmomenti mõjutada.

SISSEKEERAMISE TEHNIKAD

Mida kauem polti, kruvi või mutrit löökvõtmeaga koormatakse, seda tugevamini keeratakse see kinni.

Kinnitusvahendite või toorikute kahjustuste ärahoidmiseks vältige ülemääraast löögi kestust.

Olge eriti ettevaatlik, kui töötate väiksemate kinnitusvahenditega, sest need vajavad optimaalse pingutusmomenti saavutamiseks vähem lööke.

Harjutage erinevate kinnitusvahenditega ja jälgige, kui palju aega kulub soovitud pingutusmomenti saavutamiseks.

Kontrollige pingutusmomenti dünamomeetrilise käsimitrivõtmeaga.

Kui pingutusmoment on liiga suur, alandage löögikiirust.

Kui pingutusmoment ei ole piisav, suurendage löögikiirust.

Õli, mustus, rooste või muud jäägid keermetes või kinnitusvahendi pea all mõjutavad pingutusmomenti.

Olenevalt kontaktpindade seisundist on kinnitusvahendi vabastamiseks vaja rakendada 75% kuni 80% kinnikeeramisel kasutatud pingutusmomentid.

Teostage kergemaid töid suhteliselt väikese pingutusmomentiga ja lõplikuks pingutamiseks kasutage dünamomeetrilist käsimitrivõtit.

AJAMI KONTROLL



Ajami kontrolli lüliti reguleerib pörete arvu sõltuvalt kasutusest (min⁻¹).

Plekikruvi režiimis töötab seade maksimaalsetel pööretel seni, kuni kruvi on sisse keeratud. Seejärel vähendatakse pöörede parema kontrolli tagamiseks, kuni kruvi on täielikult toorikusse keeratud.

LIITIUMIOONAKUDE JUHISED

Liitiumioonakude kasutus

Pikemat aega mittekasutatud akusid laadige veel enne kasutamist.

Temperatuur üle 50 °C vähendab aku töövõimet. Vältige pikemat soojenemist päikese või kütteseadme mõjul.

Hoidke laadija ja aku ühenduskontaktid puhtad.

Optimaalse patarei eluea tagamiseks, pärast kasutamist lae patareiplokk täielikult.

Akud tuleks võimalikult pika kasutusea saavutamiseks pärast täislaadimist laadijast välja võtta.

Aku ladustamisel üle 30 päeva:

Ladustage akut kuivas kohas u 27°C juures.

Ladustage akut u 30-50% laetusseisundis.

Laadige aku iga 6 kuu tagant täis.

Liitiumioonakude ülekoormuskaitse

Aku ülekoormamisel kõrge voolutarbimisega, nt puuri blokeerumisel, lühise tekkimisel või ülikõrgetel pööretel, vibreerib elektritööriist 5 sekundit, laadimistuli vilgub ja tööriist lülitub automaatselt välja.

Uuesti sisse lülitamiseks tuleb päästik esmalt vabastada ning seejärel uuesti alla suruda.

Ülisuurel koormusel võib aku kuumeneda kõrgete temperatuurideni. Sellisel juhul vilguvad kõik laadimistulukesed kuni aku jahtumiseni. Peale laadimistulukeste kustumist võite tööd jätkata.

Liitiumioonakude transport

Liitiumioonakud on allutatud ohtlike ainete transportimisega seonduvatele õigusaktidele.

Nende akude transportimine peab toimuma kohalikest, siseriiklikest ja rahvusvahelistest eeskirjadest ning määrustest kinni pidades.

- Tarbijad tohivad neid akusid edasiste piiranguteta tänaval transportida.
- Liitiumioonakude komertstransport ekspedeerimisettevõtete kaudu on allutatud ohtlike ainete transportimisega seonduvatele õigusaktidele. Tärne-ettevalmistusi ja transporti tohivad teostada eranditult vastavalt koolitatud isikud. Kogu protsessi tuleb asjatundlikult jälgida.

Akude transportimisel tuleb järgida järgmisi punkte:

- Tehke kindlaks, et kontaktid on lühiste vältimiseks kaitstud ja isoleeritud.
- Pöörake tähelepanu sellele, et akupakk ei saaks pakendis nihkuda.
- Kahjustatud või välja voolanud akusid ei tohi kasutada.

Pöörduge edasiste juhiste saamiseks ekspedeerimisettevõtte poole.

PUHASTUS

Hoidke masina õhutuspilud alati puhtad.

HOOLDUS

Kasutage ainult Milwaukee tarvikuid ja Milwaukee tagavaraosi. Detailid, mille väljavahetamist pole kirjeldatud, laske välja vahetada Milwaukee klienditeeninduspunktis (vaadake brošüüri garantii / klienditeeninduste aadressid).

Vajadusel saab nõuda seadme plahvatusjoonise võimsussildil oleva masinatüübi ja kuuekohalise numbril alusel klienditeeninduspunktist või vahetult firmalt Techtronic Industries GmbH, Max-Eyth-Straße 10, 71364 Winnenden, Germany.

SÜMBOLID



Palun lugege enne käikluskmist kasutusjuhend hoolikalt läbi.



ETTEVAATUST! TÄHELEPANU! OHUD!



Enne kõiki töid masina kallal võtke vahetatav aku välja.



Ärge kõrvaldage patareide, elektri- ja elektroonikaseadmete jäätmeid sorteerimata olmejäätmetena. Akude, elektri- ja elektroonikaseadmete jäätmed tuleb koguda eraldi.

Akude, akumulaatorite ja valgusallikate jäätmed tuleb seadmetest eemaldada. Küsige oma kohalikust omavalitsusest või jaemüüjal nõuandeid ringlussevõtu ja kogumispunkti kohta.

Olenevalt kohalikest määrustest võib jaemüüjal lasuda kohustus võtta akude, elektri- ja elektroonikaseadmeid vastu tasuta. Teie panus akude, elektri- ja elektroonikaseadmete jäätmete korduskasutusse ja ringlussevõtu aitab vähendada nõudlust toorainete järele. Akud, eriti liitiumakud ning elektri- ja elektroonikaseadmete jäätmed, sisaldavad väärtuslikke taaskasutatavaid materjale, mis võivad kahjustada keskkonda ja inimeste tervist, kui neid ei kõrvaldata keskkonnasõbralikul viisil. Kustutage kõrvaldatavatest seadmetest isiklikud andmed, kui neid seal on.



Tarvikud - ei kuulu tärne komplekti, soovitatav täiendus on saadaval tarvikute programmis.



Pörete arv tühikäigul



Löövide arv



Pinge



Alalisvool



Euroopa vastavusmärk



Ühendkuningriigi vastavusmärgis



Ukraina vastavusmärk



Euraasia vastavusmärk

ТЕХНИЧЕСКИЕ ДАННЫЕ		M12 FID2
Модель	Акк. импульсный гайковерт	
Серийный номер изделия	4812 94 01 XXXXXX MJJJJ	
Вольтаж аккумулятора	12 V ---	
Диапазоны числа оборотов холостого хода	1 / 2 / 3 /	
Макс. число ударов	0–1700 / 0–2900 / 0–3600 / 0–3600 min ⁻¹	
Макс. момент затяжки	0–4000 min ⁻¹	
Держатель вставок	170 Nm	
Максимальный размер винта / Размер гайки	1/4" (6mm) HEX	
Вес согласно процедуре EPTA 01/2014 (2,0...6,0 Ah)	M14	
Рекомендованная температура окружающей среды во время работы	0,91...1,1 kg	
Рекомендованные типы аккумуляторных блоков	-18...+50 °C	
Рекомендованные зарядные устройства	M12B...	
Информация по шумам: Значения замерялись в соответствии со стандартом EN 62841.	M12-18C, M12-18AC, M12-18FC, C12C	

Уровень шума прибора, определенный по показателю A, обычно составляет:	
Уровень звукового давления / Небезопасность К	99,25 dB(A) / 3 dB(A)
Уровень звуковой мощности / Небезопасность К	110,25 dB(A) / 3 dB(A)
Пользуйтесь приспособлениями для защиты слуха.	
Информация по вибрации:	
Общие значения вибрации (векторная сумма трех направлений) определены в соответствии с EN 62841.	
Значение вибрационной эмиссии a _v / Небезопасность К	14,35 m/s ² / 1,5m/s ²

ВНИМАНИЕ!

Заявленные значения вибрации и шумового излучения, указанные в настоящем информационном листе, были измерены согласно стандартизированному методу испытания согласно EN 62841 и могут использоваться для сравнения одного инструмента с другим. Они могут применяться для предварительной оценки воздействия на организм человека.

Указанные значения вибрации и шумового излучения действительны для основных областей применения инструмента. Однако если инструмент используется в других областях применения или с другими принадлежностями либо проходит ненадлежащее обслуживание, значения вибрации и шумового излучения могут отличаться. Это может существенно увеличить уровень воздействия на организм на протяжении общего периода работы.

При оценке уровня воздействия вибрации и шумового излучения на организм также необходимо учитывать периоды, когда инструмент выключен, или когда он работает, но фактически не используется для выполнения работы. Это может существенно сократить уровень воздействия на организм на протяжении общего периода работы.

Определите дополнительные меры для защиты оператора от воздействия вибрации и/или шума, такие как обслуживание инструмента и его принадлежностей, сохранение рук в тепле, организация графиков работы.

ВНИМАНИЕ! Ознакомьтесь со всеми предупреждениями относительно безопасного использования, инструкциями, иллюстративным материалом и техническими характеристиками, поставляемыми с этим электроинструментом. Несоблюдение всех нижеследующих инструкций может привести к поражению электрическим током, пожару и/или тяжелым травмам. Сохраняйте эти инструкции и указания для будущего использования.

УКАЗАНИЯ ПО ТЕХНИКЕ БЕЗОПАСНОСТИ ДЛЯ ИМПУЛЬСНОЙ ГАЙКОВЕРТ

При ударном сверлении надевайте защитные наушники. Воздействие шума может привести к потере слуха.

Если Вы выполняете работы, при которых можно зацепить скрытую электропроводку, инструмент следует держать за специально предназначенные для этого изолированные поверхности. Контакт с токоведущим проводом может ставить под напряжение металлические части инструмента, а также приводить к удару электрическим током.

ДОПОЛНИТЕЛЬНЫЕ УКАЗАНИЯ ПО БЕЗОПАСНОСТИ И РАБОТЕ

Пользоваться средствами защиты. Работать с инструментом всегда в защитных очках. Рекомендуется спецодежда: пылезащитная маска, защитные перчатки, прочная и нескользкая обувь, каска и наушники.

Пыль, возникающая при работе данным инструментом, может нанести вред здоровью. Не следует допускать её попадания в организм. Надевайте противопылевой респиратор.

Запрещается обрабатывать материалы, которые могут нанести вред здоровью (напр., асбест).

При блокировании используемого инструмента немедленно выключить прибор! Не включайте прибор до тех пор, пока используемый инструмент заблокирован, в противном случае может возникнуть отдача с высоким реактивным моментом. Определите и устраните причину блокирования используемого инструмента с учетом указаний по безопасности.

Возможными причинами могут быть:

- перекос заготовки, подлежащей обработке
- разрушение материала, подлежащего обработке
- перегрузка электроинструмента

Не прикасаться к работающему станку.

Используемый инструмент может нагреваться во время применения.

ВНИМАНИЕ! Опасность получения ожога

- при смене инструмента
- при укладывании прибора

Не убирать опилки и обломки при включенном инструменте.

При работе в стенах, потолках или полу следите за тем, чтобы не повредить электрические кабели или водопроводные трубы.

Зафиксируйте вашу заготовку с помощью зажимного приспособления. Незафиксированные заготовки могут привести к тяжелым травмам и повреждению.

Выньте аккумулятор из машины перед проведением с ней каких-либо манипуляций.

Не выбрасывайте использованные аккумуляторы вместе с домашним мусором и не сжигайте их. Дистрибьюторы компании Milwaukee предлагают восстановление старых аккумуляторов, чтобы защитить окружающую среду.

Не храните аккумуляторы вместе с металлическими предметами во избежание короткого замыкания.

Для зарядки аккумуляторов модели M12 используйте только зарядным устройством M12. Не заряжайте аккумуляторы других систем.

Никогда не вскрывайте аккумуляторы или зарядные устройства и храните их только в сухих помещениях. Следите, чтобы они всегда были сухими.

Аккумуляторная батарея может быть повреждена и дать течь под воздействием чрезмерных температур или повышенной нагрузки. В случае контакта с аккумуляторной кислотой немедленно промойте место контакта мылом и водой. В случае попадания кислоты в глаза промойте глаза в течении 10 минут и немедленно обратитесь за медицинской помощью.

Предупреждение! Для предотвращения опасности пожара в результате короткого замыкания, травм и повреждения изделия не опускайте инструмент, сменный аккумулятор или зарядное устройство в жидкости и не допускайте попадания жидкости внутрь устройств или аккумуляторов. Коррозионные и проводящие жидкости, такие как соленый раствор, определенные химикаты, отбеливающие средства или содержащие их продукты, могут привести к короткому замыканию.

ИСПОЛЬЗОВАНИЕ

Универсальный аккумуляторный винтоверт с ударным режимом служит для завинчивания и отвертывания болтов и гаек, не требуя подключения к электросети.

Не пользуйтесь данным инструментом способом, отличным от указанного для нормального применения.

ОСТАТОЧНЫЕ РИСКИ

Даже при надлежащем использовании нельзя исключить все остаточные риски. При использовании могут возникнуть такие опасности, на которые пользователь должен обратить особое внимание:

- Травмы вследствие вибрации.
- Держите прибор за предусмотренные для этого рукоятки и ограничивайте время работы и экспозиции.
- Шумовое воздействие может привести к повреждению слуха.
- Носите защитные наушники и ограничивайте продолжительность экспозиции.
- Травмы глаз, вызванные частицами загрязнений. Всегда надевайте защитные очки, плотные длинные брюки, рукавицы и прочную обувь.
- Вдыхание ядовитой пыли.

ЭКСПЛУАТАЦИЯ

Указание: рекомендуется после затягивания всегда проверять момент затяжки с помощью динамометрического ключа.

Момент затяжки зависит от множества факторов, таких как следующие.

- Уровень заряда батареи - если батарея разряжена, то

напряжение падает и момент затяжки уменьшается.

- Скорость вращения - использование инструмента на меньшей скорости приводит к меньшему моменту затяжки.
- Положение при затягивании - способ удержания инструмента или затягиваемого элемента влияет на момент затяжки.
- Торцевая головка и насадка - использование головок и насадок неподходящего размера или недостаточной прочности уменьшает момент затяжки.
- Использование комплектовющих и удлинителей - в зависимости от комплектовющих и удлинителей момент затяжки может уменьшиться.
- Винт/гайка - момент затяжки может меняться в зависимости от диаметра, длины и класса прочности винта/гайки.
- Состояние крепежных элементов - грязные, пораженные коррозией, сухие или покрытые смазкой крепежные элементы могут повлиять на момент затяжки.
- Закручиваемые части - прочность закручиваемых частей и прочих элементов между ними (сухие или покрытые смазкой, мягкие или твердые, шайба, уплотнение или подкладочное кольцо) могут повлиять на момент затяжки.

ТЕХНИКИ ЗАКРУЧИВАНИЯ

Чем дольше прилагается усилие на винт или гайку, тем прочнее они затягиваются.

Чтобы избежать повреждения крепежных элементов, избегайте чрезмерного времени приложения усилия.

Будьте предельно осторожны, работая с маленькими крепежными элементами, поскольку им нужно меньше импульсов, чтобы достигнуть оптимальной степени затяжки.

Попрактикуйтесь на различных крепежных элементах и запомните время, которое необходимо для того, чтобы достичь желаемой степени затяжки.

Проверьте момент затяжки ручным динамометрическим ключом.

Если момент затяжки слишком велик, сократите время воздействия.

Если момент затяжки недостаточен, увеличьте время воздействия.

Масло, грязь ржавчина и прочие загрязнения на резьбе или под головкой крепежного средства влияют на величину момента затяжки.

Вращательный момент для открывания крепежного средства составляет в среднем 75% - 80% от момента затяжки, в зависимости от состояния контактной поверхности.

Закручивайте с относительно небольшим моментом затяжки, а для окончательного затягивания используйте ручной динамометрический ключ.

УПРАВЛЕНИЕ ПРИВОДОМ



Кнопка управления приводом служит для регулировки числа оборотов в зависимости от сферы применения (об/мин / min⁻¹).

В режиме работы с саморезами инструмент при вворачивании винтов работает с максимальным числом оборотов. Затем скорость вращения снижается, что способствует лучшему контролю над инструментом во время полного погружения винта в заготовку.

УКАЗАНИЯ ДЛЯ ЛИТИЙ-ИОННЫХ АККУМУЛЯТОРОВ

Использование литий-ионных аккумуляторов

Перед использованием аккумулятора, которым не пользовались некоторое время, его необходимо зарядить.

Температура свыше 50°C снижает работоспособность аккумуляторов. Избегайте продолжительного нагрева или прямого солнечного света (риск перегрева).

Контакты зарядного устройства и аккумулятора должны

съдържатся в чистоте.

Для обеспечения оптимального срока службы аккумуляторов необходимо полностью заряжать после использования прибора.

Для достижения максимально возможного срока службы аккумуляторы после зарядки следует вынимать из зарядного устройства.

При хранении аккумулятора более 30 дней:

Храните аккумулятор при 27°C в сухом месте.
Храните аккумулятор с зарядом примерно 30% - 50%.
Каждые 6 месяцев аккумулятор следует заряжать.

Защита литий-ионных аккумуляторов от перегрузки

В случае перегрузки аккумулятора по причине слишком большого потребления электроэнергии, при экстремально большом крутящем моменте, внезапной остановке или коротком замыкании, электроприбор вибрирует в течение 5 секунд, загорается индикатор заряда аккумулятора и электроприбор автоматически выключается. Для повторного включения следует отжать кнопку включения и потом снова включить. При слишком высоких нагрузках аккумулятор перегревается. В этом случае загораются все лампы индикатора заряда аккумулятора. Когда аккумулятор остынет и лампы погаснут – можно продолжать работу.

Транспортировка литий-ионных аккумуляторов

Литий-ионные аккумуляторы в соответствии с предписаниями закона транспортируются как опасные грузы.

Транспортировка этих аккумуляторов должна осуществляться с соблюдением местных, национальных и международных предписаний и положений.

- Эти аккумуляторы могут перевозиться по улице потребителем без дальнейших обязательств.
- При коммерческой транспортировке литий-ионных аккумуляторов экспедиторскими компаниями действуют положения, касающиеся транспортировки опасных грузов. Подготовка к отправке и транспортировка должны производиться исключительно специально обученными лицами. Весь процесс должен находиться под контролем специалиста.

При транспортировке аккумуляторов необходимо соблюдать следующие пункты:

- Убедитесь, что контакты защищены и изолированы во избежание короткого замыкания.
- Следите за тем, чтобы аккумуляторный блок не соскользнул внутри упаковки.
- Транспортировка поврежденных или протекающих аккумуляторов запрещена.

За дополнительными указаниями обратитесь к своему экспедитору.

ОЧИСТКА

Всегда держите охлаждающие отверстия чистыми.

ОБСЛУЖИВАНИЕ

Пользуйтесь аксессуарами и запасными частями Milwaukee. В случае возникновения необходимости в замене, которая не была описана, обращайтесь в один из сервисных центров по обслуживанию электроинструментов Milwaukee (см. список сервисных организаций).

При необходимости, у сервисной службы или непосредственно у фирмы Techtronic Industries GmbH, Max-Eyth-Straße 10, 71364, Винненден, Германия, можно запросить сборочный чертеж устройства, сообщив его тип и шестизначный номер, указанный на фирменной табличке.

СИМВОЛЫ



Пожалуйста, внимательно прочтите инструкцию по использованию перед началом любых операций с инструментом.



ВНИМАНИЕ! ПРЕДУПРЕЖДЕНИЕ! ОПАСНОСТЬ!



Выньте аккумулятор из машины перед проведением с ней каких-либо манипуляций.



Не выбрасывайте отработавшие батареи, электрическое и электронное оборудование вместе с несортированными бытовыми отходами. Отработавшие батареи, а также электрическое и электронное оборудование должны быть утилизированы отдельно. Отработавшие батареи, аккумуляторы и источники света необходимо предварительно извлечь из оборудования.

За дополнительной информацией по утилизации и сбору обратитесь в местные муниципальные органы или в розничный магазин.

Нормативные требования в некоторых регионах могут обязывать розничные магазины бесплатно утилизировать отработавшее электрическое и электронное оборудование, а также отработавшие батареи.

Повторное использование и переработка отработавших батарей, а также старого электронного и электрического оборудования позволяет снизить потребность в сырьевых ресурсах.

Отработавшие батареи содержат среди прочего литий, а электронное и электрическое оборудование — ценные перерабатываемые материалы. Однако при ненадлежащей утилизации данные компоненты могут нанести вред окружающей среде и здоровью человека. Удалите конфиденциальную информацию с оборудования при ее наличии.



Принадлежности - В стандартную комплектацию не входит, поставляется в качестве дополнительной принадлежности.



Частота вращения на холостом ходу



Число ударов



Напряжение



Постоянный ток



Британский знак соответствия



Украинский знак соответствия



Евразийский знак соответствия

ТЕХНИЧЕСКИ ДАННИ

	M12 FID2
Тип	Аккумуляторен импулсен винтоверт
Производствен номер	4812 94 01 XXXXXX MJJJJ
Напрежение на акумулатора	12 V ---
Диапазони на обороти на празен ход 1 / 2 / 3 / 4	0–1700 / 0–2900 / 0–3600 / 0–3600 min ⁻¹
Максимален брой удари	0–4000 min ⁻¹
Макс. момент на затягане	170 Nm
Гнездо за закрепване на инструменти	1/4" (6mm) HEX
Максимален размер на болта/на гайката	M14
Тегло съгласно процедурата EPTA 01/2014 (2,0...6,0 Ah)	0,91...1,1 kg
Препоръчителна околна температура при работа	-18...+50 °C
Препоръчителни видове акумулаторни батерии	M12B...
Препоръчителни зарядни устройства	M12-18C, M12-18AC, M12-18FC, C12C

Информация за шума: Измерените стойности са получени съобразно EN 62841.

Оцененото с A ниво на шума на уреда е съответно:

Равнище на звуковото налягане / Несигурност K 99,25 dB(A) / 3 dB(A)
Равнище на мощността на звука / Несигурност K 110,25 dB(A) / 3 dB(A)

Да се носи предпазно средство за слуха!

Информация за вибрациите:

Общите стойности на вибрациите (векторна сума на три посоки) са определени в съответствие с EN 62841.

Стойност на емисии на вибрациите a_h / Несигурност K 14,35 m/s² / 1,5m/s²

ВНИМАНИЕ!

Посочените в настоящия информационен лист нива на вибрации и шумови емисии са измерени в съответствие със стандартизирано изпитване, предоставено в EN 62841, и могат да се използват за сравняване на един инструмент с друг. Те може също така да се използват и за предварителна оценка на излагането на вредни въздействия.

Декларираните нива на вибрации и шумови емисии се отнасят за основните приложения на инструмента. Ако обаче инструментът се използва за други приложения, с други приспособления или не се поддържа добре, нивата на вибрации и шумови емисии могат да са различни. Това може значително да повиши нивото на излагане на вредни въздействия за общата продължителност на работата.

При оценка на нивото на излагане на въздействието на вибрации и шум следва също така да се вземе предвид времето, през което инструментът е изключен или през което е включен, но не се използва. Това може значително да понижи нивото на излагане на вредни въздействия за общата продължителност на работата.

Определете допълнителни мерки за безопасност за защита от въздействието на вибрациите и/или шума, като например поддръжка на инструмента и приспособленията, поддръжането на топлината на ръцете и организацията на работата.

ПРЕДУПРЕЖДЕНИЕ! Прочетете всички указания и напътствия за безопасност.

Пропуски при спазването на указанията и напътствията за безопасност могат да доведат до токов удар, пожар и/или тежки наранявания.

Съхранявайте указанията и напътствията за безопасност за справка при нужда.

УКАЗАНИЯ ЗА БЕЗОПАСНОСТ ЗА СВРЕДЛА ЗА УДАРНО ПРОБИВАНЕ:

Носете предпазни тапи за ушите при ударното пробиване. Шумът може да доведе до загуба на слуха.

Когато извършвате работи, при които болтът може да докосне скрити електрически кабели, дръжте уреда за изолираните ръкохватки. Контактът на болта с токопроводим проводник може да постави метални част на уреда под напрежение и може да Ви хване ток.

ДОПЪЛНИТЕЛНИ УКАЗАНИЯ ЗА РАБОТА И БЕЗОПАСНОСТ

Да се използват предпазни средства. При работа с машината винаги носете предпазни очила. Препоръчват се защитно облекло и прахозащитна маска, защитни ръкавици, здрави и нехлъзгащи се обувки, каска и предпазни средства за слуха.

Прахът, който се образува при работа, често е вреден

за здравето и не бива да попада в тялото. Да се носи подходяща прахозащитна маска.

Не е разрешена обработката на материали, които представляват опасност за здравето (напр. азбест).

Ако използваният инструмент блокира, изключете веднага уреда! Не включвайте уреда отново, докато използваният инструмент е блокиран; това би могло да доведе до откат с висока реактивна сила. Открийте и отстранете причината за блокирането на използвания инструмент имайки в предвид инструкциите за безопасност.

Възможните причини за това могат да бъдат:

- Заклинване в обработваната част
- Пробиване на материала
- Пренатоварване на електрически инструмент

Не бъркайте в машината, докато тя работи.

Използваният инструмент може да загрее по време на употреба.

ВНИМАНИЕ! Опасност от изгаряния

- при смяна на инструмента
- при оставяне на уреда

Стружки или отчупени парчета да не се отстраняват, докато машина работи.

При работа в стени, тавани или подове внимавайте за кабели, газопроводи и водопроводи.

Закрепете обработваната част с устройство за захващане. Незакрепени части за обработка могат да причинят сериозни наранявания и материални щети.

Преди започване на каквито е да е работи по машината извадете акумулатора.

Не изхвърляйте изхабените акумулатори в огъня или в при битовите отпадъци. Milwaukee предлага екологосъобразно събиране на старите акумулатори; моля попитайте Вашия специализиран търговец.

Не съхранявайте акумулаторите заедно с метални предмети (опасност от късо съединение).

Акумулатори от системата M12 да се зареждат само със зарядни устройства от системата M12 laden. Да не се зареждат акумулатори от други системи.

Не отваряйте акумулатори и зарядни устройства и ги съхранявайте само в сухи помещения. Пазете ги от влага.

При екстремно натоварване или екстремна температура от повредени акумулатори може да изтече батерийна течност. При допир с такава течност веднага измийте с вода и сапун. При контакт с очите веднага изплаквайте старателно най-малко 10 минути и незабавно потърсете лекар.

Предупреждение! За да избегнете опасността от пожар, предизвикана от късо съединение, както и нараняванията и повредите на продукта, не потапяйте инструмента, сменяемата акумулаторна батерия или зарядното устройство в течности и се грижете в уредите и акумулаторните батерии да не попадат течности. Течностите, предизвикващи корозия или провеждащи електричество, като солена вода, определени химикали, избелващи вещества или продукти, съдържащи избелващи вещества, могат да предизвикат късо съединение.

ИЗПОЛЗВАНЕ ПО ПРЕДНАЗНАЧЕНИЕ

Акумулаторният ударен гайковерт може да се използва универсално за завиване и отвиване на болтове и гайки, без да зависи от връзка с електрическата мрежа.

Този уред може да се използва по предназначение само както е посочено.

ОСТАТЪЧНИ РИСКОВЕ

Дори при правилна употреба, остатъчните рискове не могат да бъдат изключени. При използване могат да възникнат следните опасности, за които обслужващият трябва да внимава:

- Наранявания, причинени от вибрации. Дръжте уреда за предвидените за целта ръкохватки и ограничавайте времето на работа и експозиция.
- Шумовото натоварване може да причини слухови увреждания. Носете защита за слуха и ограничете продължителността на експозицията.
- Наранявания на очите, причинени от замърсяващи частици. Винаги носете предпазни очила, здрави дълги панталони, ръкавици и стабилни обувки.
- Вдишване на отровни прахове.

ОБСЛУЖВАНЕ

Указание: Препоръчително е след закрепване затегателният въртящ момент да бъде проверен с динамометричен ключ.

Затегателният въртящ момент се влияе от множество фактори, сред които и изброените.

- Заряд на батерията - Когато батерията е разредена, напрежението спада и затегателният въртящ момент се ограничава.
- Обороти - Използването на инструмента при ниска скорост води до по-малък затегателен въртящ момент.
- Позиция на закрепване - Начинът, по който държите инструмента или крепежния елемент, влияе на

затегателния въртящ момент.

- Въртяща / неподвижна приставка - Използването на въртяща или неподвижна приставка с неправилен размер, или използването на принадлежност, неиздържачи на удар, намалява затегателния въртящ момент.
- Използване на принадлежност и удължения - В зависимост от принадлежностите или удължението, затегателният въртящ момент на ударния винтоверт може да намалее.
- Винт/гайка - Затегателният въртящ момент може да варира в зависимост от дължината и класт на здравина на винта/гайката.
- Състояние на крепежните елементи - Замърсените, корозирани, сухи или смазани крепежни елементи могат да повлияят на затегателния въртящ момент.
- Завинтваните части - Здравината на завинтваните части и всеки конструктивен детайл между тях (сух или смазан, мек или твърд, шайба, уплътнение или подложна шайба) може да повлияе на затегателния въртящ момент.

ТЕХНИКИ НА ЗАВИНТВАНЕ

Колкото по-дълго един болт, винт или гайка се натоварват с ударния винтоверт, толкова по-здраво се затягат.

За да избегнете повреди по крепежните средства или детайлите, избягвайте прекалено дългото ударно въздействие.

Бъдете особено внимателни, когато работите с дребни крепежни средства, тъй като са Ви необходими по-малко удари, за да постигнете оптимален затегателен въртящ момент.

Упражнявайте се различни крепежни елементи и си отбелязвайте времето, което Ви е необходимо за достигане на желаните прекалено дългото ударно въздействие.

Ако затегателният въртящ момент е прекалено висок, намалете времетраенето на ударното въздействие.

Ако затегателният въртящ момент не е достатъчен, повишете времетраенето на ударното въздействие.


Маслата, замърсяванията, ръждата или други замърсители по резбара или под главата на крепежното средство влияят на стойността на затегателния въртящ момент.

Въртящият момент, необходим за освобождаване на крепежно средство, е средно 75% до 80% от затегателния въртящ момент, в зависимост от състоянието на контактните повърхности.

Извършвайте леките работи по завинтване със сравнително малък затегателен въртящ момент и използвайте ръчен динамометричен ключ за окончателното затягане.

УПРАВЛЕНИЕ НА ЗАДВИЖВАНЕТО

Бутонът за управление на задвижването служи само за настройка на оборотите в зависимост от приложението (мин.¹).

В режим на винтове за ламарина  уредът работи с максимални обороти, докато винтът се завие. След това оборотите се намаляват с цел по-добър контрол, докато винтът изцяло влезе в детайла.

УКАЗАНИЯ ЗА ЛИТИЕВО-ЙОННИ АКУМУЛАТОРНИ БАТЕРИИ

Употреба на литиево-йонни акумулаторни батерии
Акумулатори, които не са ползвани по-дълго време, преди употреба да се дозаредят.

Температура над 50°C намалява мощността на акумулатора. Да се избягва по-продължително нагряване

на слънце или от отопление.

Поддържайте чисти присъединителните контакти на зарядното устройство и на акумулаторната батерия.

За оптимална продължителност на живот след употреба батериите трябва да се заредят напълно.

За възможно най-дълъг експлоатационен живот, акумулаторните батерии трябва след зареждане да се отстранят от зарядното устройство.

При съхранение на батериите за повече от 30 дни: съхранявайте батерията при прибл. 27°C и на сухо място. Съхранявайте батерията при 30 до 50 % от заряда. Зареждайте батерията на всеки 6 месеца.

Защита от претоварване при литиево-йонни акумулаторни батерии

При претоварване на батерията вследствие на голямо потребление на енергия, например изключително високи въртящи моменти, , внезапно спирание или късо съединение, електрическият инструмент вибрира в продължение на 5 секунди, мига индикаторът за зареждане и електрическият инструмент се изключва сам. За да го включите повторно, освободете превключвателя и след това включете уреда. При екстремни натоварвания батерията се нагрява значително. В този случай всички светлини на индикатора за зареждане мигат дотогава, докато батерията се охлади. След изгасване на индикатора за зареждане можете да продължите работата с уреда.

Транспортиране на литиево-йонни акумулаторни батерии

Литиево-йонните батерии са предмет на законовите разпоредби за превоз на опасни товари.

Превозът на тези батерии трябва да се извършва в съответствие с местните, националните и международните разпоредби и регламенти.

- Потребителите могат да превозват тези батерии по пътя без допълнителни изисквания.
- Превозът на литиево-йонни батерии от транспортни компании е предмет на законовите разпоредби за превоз на опасни товари. Подготовката на превоза и самият превоз трябва да се извършват само от обучени лица. Целият процес трябва да е под професионален надзор.

Спазвайте следните изисквания при превоз на батерии:

- Уверете се, че контактните са защитени и изолирани, за да се избегне късо съединение.
- Уверете се, че няма опасност от разместване на батерията в опаковката.
- Не превозвайте повредени батерии или такива с течове.

Обърнете се към Вашата транспортна компания за допълнителни инструкции.

ПОЧИСТВАНЕ

Вентилационните шлицы на машината да се поддържат винаги чисти.

ПОДДРЪЖКА

Да се използват само аксесоари на Milwaukee и резервни части на Milwaukee. Елементи, чията подмяна не е описана, да се дадат за подмяна в сервис на Milwaukee (вижте брошурата "Гаранция и адреси на сервиси).

При необходимост можете да поискате схема на елементите на уреда при посочване на обозначение на машината и шестцифрени номер на табелката за технически данни от Вашия сервис или директно на Techtronic Industries GmbH, Max-Eyth-Straße 10, 71364 Winnenden, Германия.

СИМВОЛИ

	Преди пускане на уреда в действие моля прочетете внимателно инструкцията за използване.
	ВНИМАНИЕ! ПРЕДУПРЕЖДЕНИЕ! ОПАСНОСТ
	Преди започване на каквито е да е работи по машината извадете акумулатора.
	Отпадъците от батерии, отпадъците от електрическо и електронно оборудване не трябва да се изхвърлят заедно с битовите отпадъци. Отпадъците от батерии, отпадъците от електрическо и електронно оборудване трябва да се събират и изхвърлят отделно. Преди изхвърлянето отстранявайте от уредите отпадъците от батерии, отпадъците от акумулатори и лампите. Информирайте се от местните служби или от своя специализиран търговец относно фирмите за рециклиране и местата за събиране на отпадъци. В зависимост от местните разпоредби, търговците на дребно могат са задължени да приемат безплатно върнатите обратно отпадъци от батерии и от електрическо и електронно оборудване. Дайте своя принос за намаляването на нуждите от суровини чрез повторната употреба и рециклирането на Вашите отпадъци от батерии и отпадъци от електрическо и електронно оборудване. Отпадъците от батерии (най-вече литиево-йонните батерии) и отпадъците от електрическо и електронно оборудване съдържат ценни рециклиращи се материали, които могат да повлияят отрицателно на околната среда и на Вашето здраве, ако не се изхвърлят по екологосъобразен начин. Преди изхвърлянето като отпадък изтрийте от Вашия употребяван уред евентуално наличните в него лични данни.
	Аксесоари - Не се съдържат в обема на доставката, препоръчано допълнение от програмата за аксесоари.
	Обороти на празен ход
	Брой удари
	Напрежение
	Постоянен ток
	Европейски знак за съответствие
	Британски знак за съответствие
	Украински знак за съответствие
	Евро-азиатски знак за съответствие

DATE TEHNICE	M12 FID2
Tip	Șurubelniță cu acumulator
Număr producție	4812 94 01 XXXXXX MJJJJ
Tensiune acumulator	12 V ---
Domenii turație în gol 1 / 2 / 3 / 4	0–1700 / 0–2900 / 0–3600 / 0–3600 min ⁻¹
Frecvență max. percuții	0–4000 min ⁻¹
Cuplu maxim	170 Nm
Locaș sculă	1/4" (6mm) HEX
Dimensiune maximă șuruburi / piulițe	M14
Greutatea conform „EPTA procedure 01/2014” (2.0...6.0 Ah)	0,91...1,1 kg
Temperatura ambientă recomandată la efectuarea lucrărilor	-18...+50 °C
Accumulatori recomandați	M12B...
Încărcătoare recomandate	M12-18C, M12-18AC, M12-18FC, C12C
Informație privind zgomotul: Valori măsurate determinate conform EN 62841.	
Nivelul de zgomot evaluat cu A al aparatului este tipic de:	
Nivelul presiunii sonore / Nesiguranță K	99,25 dB(A) / 3 dB(A)
Nivelul sunetului / Nesiguranță K	110,25 dB(A) / 3 dB(A)
Purtați căști de protecție	
Informații privind vibrațiile:	
Valorile totale de oscilație (suma vectorială pe trei direcții) determinate conform normei EN 62841.	
Valoarea emisiei de oscilații a _v / Nesiguranță K	14,35 m/s ² / 1,5m/s ²

⚠️ AVERTISMENT!

Nivelul vibrației și emisiei de zgomot indicat în această fișă informativă a fost măsurat în conformitate cu o metodă standard de testare specificată în EN 62841 și se poate utiliza pentru a compara dispozitivele între ele. Acesta se poate utiliza și într-o evaluare preliminară a expunerii.

Nivelul declarat al vibrației și emisiei sonore reprezintă principalele aplicații ale dispozitivului. Cu toate acestea, dacă dispozitivul este utilizat pentru aplicații diferite, cu accesorii diferite sau întreținute necorespunzător, emisia de vibrații și zgomote poate diferi. Acest lucru poate crește semnificativ nivelul expunerii pe întreaga perioadă de lucru.

O estimare a nivelului de expunere la vibrații și zgomot ar trebui să țină cont și de momentele în care dispozitivul este oprit sau când funcționează, dar nu realizează de fapt nicio lucrare. Acest lucru poate reduce semnificativ nivelul expunerii pe întreaga perioadă de lucru.

Identificați măsurile de siguranță suplimentare pentru a proteja operatorul de efectele vibrațiilor și/sau zgomotului, cum ar fi: întreținerea dispozitivului și a accesoriilor, menținerea caldă a mâinilor, organizarea modelelor de lucru.

⚠️ AVERTISMENT A se citi toate avertismentele, instrucțiunile, ilustrațiile și specificațiile privind siguranța furnizate cu această unealtă electrică. Nerespectarea tuturor instrucțiunilor listate mai jos poate cauza șocuri electrice, incendii și/sau vătămări corporale grave.
Păstrați toate indicațiile de avertizare și instrucțiunile în vederea utilizărilor viitoare.

INSTRUCȚIUNI DE SIGURANȚĂ PENTRU MAȘINILE DE ÎNȘURUBAT:

La găurirea cu percuție purtați echipament de protecție pentru auz. Expunerea la zgomot poate duce la pierderea auzului.

Țineți aparatul de mânerul izolat atunci când executați lucrări la care șurubul ar putea atinge cabluri de curent ascunse. Contactul șurubului cu un conductor prin care circula curent electric poate pune sub tensiune componente metalice ale aparatului, provocând electrocutare.

INSTRUCȚIUNI SUPPLEMENTARE DE SIGURANȚĂ ȘI DE LUCRU

Folosiți echipament de protecție. Purtați întotdeauna ochelari de protecție când lucrați cu mașina. Se recomandă utilizarea hainelor de protecție ca de ex. Măști contra prafului, mănuși de protecție, încălțăminte stabilă nealunecoasă, cască și apărătoare de urechi.

Praful care apare când se lucrează cu această sculă poate fi dăunător sănătății și prin urmare nu trebuie să atingă corpul.

Purtați o mască de protecție corespunzătoare împotriva prafului.

Nu se admite prelucrarea unui material care poate pune în pericol sănătatea operatorului (de exemplu azbestul).

La blocarea sculei demontabile vă rugăm să deconectați imediat aparatul! Nu conectați aparatul atâta timp cât scula demontabilă este blocată; dacă o faceți, s-ar putea să se producă un recul cu un cuplu mare de reacție. Găsiți și remediați cauza de blocare a sculei demontabile respectând indicațiile pentru siguranță.

Cauzele posibile pot fi:

- Agățarea în piesa de prelucrat
- Străpungerea materialului de prelucrat
- Suprasolicitarea sculei electrice

Nu atingeți părțile mașinii aflate în rotație.

Scula introdusă poate să devină fierbinte în timpul utilizării.

AVERTISMENT! Pericol de arsuri

- la schimbarea sculei
- la depunerea aparatului

Rumegușul și spanul nu trebuie îndepărtate în timpul funcționării mașinii.

Când se lucrează pe pereți, tavan sau dușumea, aveți grijă să evitați cablurile electrice și țevile de gaz sau de apă.

Asigurați piesa de prelucrat cu un dispozitiv de fixare. Piesele neasigurate pot provoca accidentări grave și stricăciuni.

Îndepărtați acumulatorul înainte de începerea lucrului pe mașina

Nu aruncați acumulatorii uzați la containerul de reziduri menajere și nu îi ardeți. Milwaukee Distributors se oferă

să recupereze acumulatorii vechi pentru protecția mediului înconjurător.

Nu depozitați acumulatorul împreună cu obiecte metalice (risic de scurtcircuit)

Folosiți numai încărcătoare System M12 pentru încărcarea acumulatorilor System M12. Nu folosiți acumulatorii din alte sisteme.

Nu deschideți niciodată acumulatorii și încărcătoarele și pastrați-le numai în încăperi uscate. Pastrați-le întotdeauna uscate.

Acidul se poate scurge din acumulatorii deteriorați la încălziri sau temperaturi extreme. În caz de contact cu acidul din acumulator, spălați imediat cu apă și săpun. În caz de contact cu ochii, clătiți cu atenție timp de cel puțin 10 minute și apelați imediat la îngrijire medicală.

Avertizare! Pentru a reduce pericolul unui incendiu și evitarea rănilor sau deteriorarea produsului în urma unui scurtcircuit nu imersați scula, acumulatorul de schimb sau încărcătorul în lichide și asigurați-vă să nu pătrundă lichide în aparate și acumulatori. Lichidele corosive sau cu conductibilitate, precum apa sărată, anumite substanțe chimice și înalbitori sau produse ce conțin înalbitori, pot provoca un scurtcircuit.

CONDIȚII DE UTILIZARE SPECIFICATE

Cheia de impact fără cordon poate fi folosită pentru a strânge și a slăbi piulițe și bolțuri oriunde nu este posibilă conectarea la rețea.

Nu utilizați acest produs în alt mod decât cel stabilit pentru utilizare normală

RISCURI REZIDUALE

Excluderea tuturor pericolelor reziduale nu este posibilă chiar și în condiții de utilizare corectă a mașinii. În timpul utilizării pot apărea următoarele pericole, de care utilizatorul ar trebui să țină seama:

- Accidentări provocate de vibrații. Țineți aparatul de mânerul prevăzute în acest scop și reduceți timpul de lucru și de expunere.
- Poluarea fonică poate duce la vătămarea auzului. Purtați căști antifonice și reduceți durata expunerii.
- Afecțiuni oculare cauzate de particulele de impurități. Purtați întotdeauna ochelari de protecție, pantaloni lungi rezistenți, mănuși și încălțăminte robustă.
- Inhalare de pullberi toxice.

UTILIZARE

Indicație: Se recomandă ca după fixare să verificați întotdeauna cuplul de strângere cu o cheie dinamometrică.

Cuplul de strângere este influențat de o multitudine de factori, inclusiv următorii.

- Starea de încărcare a bateriei - Când bateria este descărcată, tensiunea scade și cuplul de strângere se reduce.
- Turație - Utilizarea sculei cu viteză mică duce la un cuplu de strângere mai mic.
- Poziție de fixare - Modul în care țineți scula sau elementul de fixare influențează cuplul de strângere.
- Inserția pentru răscuire/fixare - Utilizarea unei inserții pentru răscuire/fixare care nu are dimensiunea corectă sau utilizarea de accesorii care nu sunt suficient de rezistente la șoc reduce cuplul de strângere.
- Utilizarea de accesorii și prelungiri - În funcție de accesorii sau prelungiri, cuplul de strângere al cheii cu percuție poate fi redus.
- Șurub/piuliță - Cuplul de strângere poate varia în funcție de diametrul, lungimea și clasa de rezistență a șurubului/piuliței.

- Starea elementelor de fixare - Elementele de fixare murdare, corodate, uscate sau lubrificate pot influența cuplul de strângere.
- Piesele care trebuie înșurubate - Rezistența pieselor de înșurubat și orice componentă dintre acestea (uscată sau lubrifiată, moale sau tare, șaibă, garnitură sau șaibă-suport) poate influența cuplul de strângere.

TEHNICI DE ÎNȘURUBARE

Cu cât un bulon, un șurub sau o piuliță este solicitat/-ă mai mult cu cheia cu percuție, cu atât mai bine se strânge.

Pentru a evita deteriorările elementelor de fixare sau ale pieselor, evitați duratele de percutare foarte lungi.

Procedați cu deosebită atenție când acționați asupra unor elemente de fixare mai mici, pentru că acestea au nevoie de mai puține lovitură, pentru a obține un cuplu de strângere optim.

Exersați cu diverse elemente de fixare și rețineți durata necesară pentru a obține cuplul de strângere dorit.

Verificați cuplul de strângere cu o cheie dinamometrică manuală.

Dacă cuplul de strângere este prea mare, reduceți durata de percutare.

Dacă cuplul de strângere nu este suficient, măriți durata de percutare.

Ouleiul, murdăria, rugina sau alte impurități de pe filete sau de sub capul elementului de fixare influențează valoarea cuplului de strângere.

Cuplul necesar pentru desfacerea unui element de fixare este în medie de 75% până la 80% din cuplul de strângere, în funcție de starea suprafețelor de contact.

Efectuați lucrările de înșurubare ușoare cu un cuplu de strângere relativ mic și utilizați pentru strângerea definitivă o cheie dinamometrică manuală.

REGLARE ACȚIONARE



Tasta de reglare a acționării se utilizează pentru reglarea turației (rot/min) în funcție de aplicație

În regim de autofiletare, scula funcționează la turație maximă până când șurubul începe filetarea, după care pentru o mai bună stăpânire a procesului turația scade pe măsură ce șurubul pătrunde și este cufundat complet în piesă.

INDICAȚII PENTRU ACCUMULATORII LI-ION

Utilizarea acumulatorilor Li-Ion

Accumulatorii care nu au fost utilizați o perioadă de timp trebuie reincărcați înainte de utilizare

Temperatura mai mare de 50°C reduce performanța acumulatorului. Evitați expunerea prelungită la căldură sau radiație solară (risic de supraîncălzire)

Contactele încărcătoarelor și acumulatorului trebuie păstrate curate.

În scopul optimizării duratei de funcționare, bateriile trebuie reincărcate complet după utilizare.

Pentru o durată de viață cât mai lungă, acumulatorii ar trebui scoși din încărcător după încărcare.

La depozitarea acumulatorilor mai mult de 30 zile: Accumulatorii se depozitează la cca. 27°C și la loc uscat. Accumulatorii se depozitează la nivelul de încărcare de cca. 30%-50%.

Accumulatorii se încarcă din nou la fiecare 6 luni.

Protecție la suprasarcină la acumulatorii Li-Ion

În cazul unei suprasolicitări a acumulatorului datorită unui consum excesiv de curent electric, de ex. datorită unor

моменте де тураџе етрем де њалте, а unei оприри субите sau а unui scurt circuit, scula електричэ трепидеэзэ timp де 5 secunde, indicaџия стэрии де њнчэре пэпэие и scula електричэ се деconecteэзэ де ла sine.

Пену реэонектаре даџи друмул њнтерупэторулу и конектаџи дин нуу. Кн cazul унор sarcini extreme, acumulatorul се њнчине преа таре. Кн ачест caz toate лэмпие indicaџие стэрии де њнчэре пэпэие пэна чэнд акумулаторулу с-а рэцит. Дупэ че indicaџия стэрии де њнчэре с-а стинс се poate lucra mai departe.

Transportul acumulatorilor Li-Ion

Акумулаториуу де иони де литиу кад суб incidencia prescripџиilor legale pentru transportul де мэрфури перiculoase.

Transportul acestor acumulatori trebuie сэ се efectueze cu respectarea prescripџиilor и reglementэриilor пе plan local, naџional и internaџional.

- Consumatorilor ле есте permis transportul rutier nerestricџionat ал ачестуи tip де acumulatori.
- Transportul comercial ал acumulatorilor cu иони де литиу prin intermediul firmelor де expediџие и transport есте supus reglementэриilor transportului де мэрфури periculoase. Pregэтирилe pentru expediџие и transport ал voce сэ fie efectuate numai де чэтре personal instruit corespunzэtor. Кнтregul proces trebuie asistat њн mod competent.

Urmэtoarele puncte trebuie avute њн vedere ла transportul acumulatorilor:

- Pену а се evita scurtcircuite, asigurэџи-вэ де faptul чэ sunt protejate и isolate contactele.
- Aveџи griџэ чэ pachetul де acumulatori сэ ну поатэ алунеча њн алтэ poziџие њн interiorul ambalajului сэу.
- Este interzis transportarea unor acumulatori deterioraџи sau care pierd lichid.

Pену indicaџии suplimentare adresaџи-вэ firmei де expediџие и transport cu care colaboraџи.

CURэTARE

Fantele де aerisire ale maиinii trebuie сэ fie menџinute libere tot timpul

INTREТINERE

Utilizaџи numai accesorii и piese де schimb Milwaukee. Дэчэ unele дин componente care ну ау fost descise trebuie њнlocuite , вэ рэгуэ contactaџи unul дин agenџи де service Milwaukee (veџи lista noastrэ pentru service / garanti

Дэчэ есте necesar, puteџи solicita де ла centrul dvs. де service pentru clienџи sau direct ла Techtronic Industries GmbH, Max-Eyth-Straџе 10, 71364 Winnenden, Germania un desen descompus ал aparatului prin indicarea tipului де aparat и а numэрулуи чэ саше cifre де пе тэbliџа indicatoare.

СИБОЛУРИ

	Va рэгуэ citiџи cu atenџие instrucџиunile њnainte де pornirea maиinii
	PERICOL! AVERTIZARE! ATENџIE!
	Кндэпэртаџи акумулаторулу њnainte де њнчепереа lucrului пе maиina
	Деэеуриле де батерии, деэеуриле де echipamente electrice и electronice ну се eliminэ чэ деэеури municipale nesortate. Деэеуриле де батерии и деэеуриле де echipamente electrice и electronice trebuie colectate separat. Деэеуриле де батерии, деэеуриле де acumulatori и materialele де iluminat trebuie њндэпэртате дин echipament. Informаџи-вэ де ла autoritaџиле locale sau де ла comerciantџи acreditaџи њн legэturэ cu centrele де reciclare и де colectare. Кн conformitate cu reglementэрилe locale retailerii pot fi obligaџи сэ colecteze graџuit bateriile uzate и деэеуриле де echipamente electrice и electronice. Contribuџия dumneavoastrэ ла reutilizarea и reciclarea деэеурилор де батерии и а деэеурилор де echipamente electrice и electronice contribuie ла reducerea cererii де материи prime. Деэеуриле де батерии и деэеуриле де echipamente electrice и electronice conџин materiale reciclabile valoroase, care pot avea un impact negativ asupra mediului и sэnэtэџи umane, њн cazul њн care ну sunt eliminate њн mod ecologic. Кн cazul њн care пе echipamente ау fost њнregistrate date cu caracter personal, ачестеа trebuie штерсе њnainte де eliminarea echipamentelor чэ деэеури.
	Accesoriu - Ну есте њнclus њн echipamentul standard , disponibil чэ accesoriu
	Turaџие де mers њн gol
	Numэр де персуџи
	Tensiune
	Curent continuu
	Marcэ де conformitate europeanэ
	Marcaj де conformitate Regatul Unic
	Marcэ де conformitate ucraineanэ
	Marcэ де conformitate eurasiaticэ

ТЕХНИЧКИ ПОДАТОЦИ

	M12 FID2
Тип на дизаџн	Ударен шрафцигер на батерии
Произведен број	4812 94 01 XXXXXX MJJJJ
Волтажа на батеријата	12 V ---
Опсег на брзината на вртежите на празен од 1 / 2 / 3 / 4	0–1700 / 0–2900 / 0–3600 / 0–3600 min ⁻¹
Максимален број на ударите	0–4000 min ⁻¹
Максимален затезен момент	170 Nm
Глава на алатот	1/4" (6mm) HEX
Максимална големина на навртките / големина на завртките	M14
Тежина според ЕПТА-процедурата 01/2014 (2,0...6,0 Ah)	0,91...1,1 kg
Препорачана температура на околината при работа	-18...+50 °C
Препорачани типови на акумулаторски батерии	M12B...
Препорачани полначи	M12-18C, M12-18AC, M12-18FC, C12C

Информации за бучавата: Измерените вредности се одредени согласно стандардот EN 62841.

A-оценетото ниво на бучава на апаратот типично изнесува:

Ниво на звучен притисок. / Несигурност K

99,25 dB(A) / 3 dB(A)

Ниво на јачина на звук. / Несигурност K

110,25 dB(A) / 3 dB(A)

Носте штитник за уши.

Информации за вибрации:

Вкупни вибрациски вредности (векторски збир на трите насоки) пресметани согласно EN 62841.

Вибрациска емисиона вредност a_w / Несигурност K

14,35 m/s² / 1,5m/s²

ПРЕДУПРЕДУВАЊЕ!

Нивото на вибрации и емисија на бучава дадени во овој информативен лист се измерени во согласност со стандардизиран метод на тестирање даден во EN 62841 и може да се користат за споредување на еден електричен алат со друг. Тие исто така може да се користат при првична проценка на изложеност.

Наведеното ниво на вибрации и емисија на бучава ја претставува главната примена на алатот. Сепак ако алатот се користи за поинакви примени, со поинаков прибор или лошо се одржува, вибрациите и емисијата на бучава може да се разликуваат. Тоа може значително да го зголеми нивото на изложеност преку целиот работен период.

Проценка на нивото на изложеност на вибрации и бучава треба исто така да се земе предвид кога е исклучен алатот или кога е вклучен, но не врши никаква работа. Тоа може значително да го намали нивото на изложеност преку целиот работен период.

Утврдете дополнителни безбедносни мерки за да се заштити операторот од ефектите на вибрациите и/или бучавата како на пр.: одржувајте го алатот и приборот, рацете нека ви бидат топли, организација на работните шеми.

ПРЕДУПРЕДУВАЊЕ! Прочитајте ги сите безбедносни упатства, инструкции, илустрации и спецификации за овој електричен алат. Недоследно почитување на подолу наведените упатства може да предизвика електричен удар, пожар и/или сериозни повреди. **Сочувајте ги сите безбедносни упатства и инструкции за во иднина.**

БЕЗБЕДНОСНИ НАПОМЕНИ ЗА ЗАШТРАФУВАЊЕ:

При работата со перкуссионата бормашина носете заштита за ушите. Влијанието на бука може да предизвика губење на сетилото за слух.

При реализација на работи, при кои завртката може да погоди сокриени водови на струја, држете го апаратот на изолираните површини за држење. Контактот на навртката со вод под напон може да ги стави металните делови од апаратот под напон и да доведе до електричен удар.

ОСТАНАТИ БЕЗБЕДНОСНИ И РАБОТНИ УПАТСТВА

Употребувајте заштитна опрема. При работа со машината постојано носете заштитни очила. Се препорачува заштитна облека како: маска за заштита од прашина, заштитни ракавици, цврсти чевли што не се лизгаат, каџига и заштита за уши.

Пршината која се создава при користење на овој алат

може да биде штетна по здравјето. Не ја вдишувајте. Носете соодветна заштитна маска.

Не смеат да бидат обработувани материјали кои што можат да го загрозат здравјето (на пр. азбест).

Доколку употребуваното орудие се блокира, молиме веднаш да се исклучи апаратот! Не го вклучувајте апаратот повторно додека употребуваното орудие е блокирано; притоа би можело да дојде до повратен удар со висок момент на реакција. Испитајте и отстранете ја причината за блокирањето на употребеното орудие имаџи ги во предвид напомените за безбедност.

Можни причини би можеле да се:

- Закантување во парчето кое што се обработува
- Кршење поради продирате на материјалот кој што се обработува
- Преоптоварување на електричното орудие

Не фаќајте во машината кога работи.

Употребеното орудие за време на примената може да стане многу жешко.

ПРЕДУПРЕДУВАЊЕ! Опасност од изгоретини

- при менување на орудие
- при ставање на апаратот на страна

Прашината и струготините не смеат да се одстрануваат додека е машината работи.

Кога работите на сидови, таван или под внимавајте да ги избегнете електричните, гасните и водоводни инсталации.

Обезбедете го предметот кој што го обработувате со направа за напон. Необезбедени парчиња кои што се

обработуваат можат да предизвикаат тешки повреди и оштетувања.

Извадете го батерискиот склоп пред отпочнување на каков и да е зафат врз машината.

Не ги оставајте искористените батерии во домашниот отпад и не горете ги. Дистрибутерите на Milwaukee ги собираат старите батерии, со што ја штитат нашата околина.

Не ги чувајте батериите заедно со метални предмети (ризик од краток спој).

Користете исклучиво Систем M12 за полнење на батерии од M12 систем. Не користете батерии од друг систем.

Не ги отворајте насилно батериите и полначите, и чувајте ги само на суво место. Чувајте ги постојано суви.

Киселината од оштетените батерии може да истече при екстремн напон или температури. Доколку дојдете во контакт со исатата, измијте се веднаш со сапун и вода. Во случај на контакт со очите плакнете ги убаво најмалку 10 минути и задолжително одете на лекар.

Предупредување! За да избегнете опасноста од пожар, од наранувања или од оштетување на производот, коишто ги создава краток спој, не ја потопувајте во течност алатката, заменливата батерија или полначот и пазете во уредите и во батериите да не проникнуваат течности. Корозивни или електроспроводноливи течности, како солена вода, одредени хемикалии, избелувачки препарати или производи кои содржат избелувачки супстанции, можат да предизвикаат краток спој.

СПЕЦИФИЦИРАНИ УСЛОВИ НА УПОТРЕБА

Безжичниот моментен клуч моча да биде користен за затегање или одвртување на навртки и шрафови секаде каде не е достапно напојување.

Не го користете овој производ на било кој друг начин освен пропишаниот за нормална употреба.

ПРЕОСТАНАТИ РИЗИЦИ

Дури и при уредна употреба на машината, не може да се исклучат сите преостанати ризици. При употребата може да настанат следните опасности, на кои операторот треба особено да внимава:

- Повреди предизвикани како последица на вибрации. Држете ја алатката за рачките предвидени за тоа и ограничете го времето на работа и експозицијата.
- Изложеноста на бучава може да доведе до оштетување на слухот. Носете заштити за ушите и ограничете го траењето на експозицијата.
- Честичките нечистотија може да предизвикаат повреди на очите. Секогаш носете заштитни очила, долги панталони, ракавици и цврсти чевли.
- Вдишување токсични прашина.

РАБОТА

Совет: Се препорачува секогаш по прицврстувањето да го проверите затезниот момент со динамометрички клуч.

Затезниот момент е под влијание на различни фактори, вклучувајќи ги и следните фактори.

- Состојба на полнење на батеријата - Кога батеријата е испразнета, напонот паѓа и затезниот момент се намалува.
- Брзини - Користењето на алатот при мала брзина доведува до помал затезен момент.
- Положба за прицврстување - Начинот на држење на алатот или сврзувачкиот елемент влијае на затезниот момент.
- Завиткан или вметнат приклучок - Користењето на

завиткан или вметнат приклучок со погрешна големина или користењето на опрема што не е отпорна на удари го намалува затезниот момент.

- Користење на опрема и продолжни елементи - Во зависност од опремата или продолжниот елемент, може да се намали затезниот момент на ударната шрафилица.
- Завртка/навртка - Затезниот момент може да варира во зависност од дијаметарот, должината и класата на јачината на завртката/навртката.
- Состојба на сврзувачките елементи - Контаминирани, кородирани, суви или подмачкани сврзувачки елементи може да влијаат на затезниот момент.
- Деловите кои треба да се навртуваат - Јачината на деловите кои треба да се навртуваат и која било компонента меѓу нив (сува или подмачкана, мека или тврда, завртка, заптивка или подлошка) може да влијаат на затезниот момент.

ТЕХНОЛОГИИ ЗА ПРИЦВРСТУВАЊЕ

Колку подолго се навртува болтот, завртката или навртката со ударната шрафилица, толку поцврсто тие се затегнати.

За да избегнете оштетување на сврзувачките елементи или работните парчиња, избегнувајте прекумерно траење на навртувањето.

Бидете посебно внимателни кога работите на помали сврзувачки елементи, затоа што тие бараат помал број на удари за да се постигне оптимален затезен момент.

Вежбајте со различни сврзувачки елементи и запомнете го времето што ви е потребно за да го достигнете саканиот затезен момент.

Проверете го затезниот момент со рачни динамометрички клуч.

Ако затезниот момент е премногу висок, намалете го времето на удар.

Ако затезниот момент е недоволен, зголемете го времето на удар.

Маслото, нечистотијата, рѓата или другите загадувачи на навојот или под главата на сврзувачкиот елемент влијаат на затезниот момент.

Вртежниот момент што е потребен за олабавување на сврзувачкиот елемент е во просек од 75% до 80% од затезниот момент, зависно од состојбата на контактните површини.

Зашрафете малку со релативно низок затезен момент и користете рачни динамометрички клуч за финално затегнување.

КОНТРОЛА НА ПОГОНОТ



Копчето за контрола на погонот се користи за прилагодување на брзината на вртежите (min⁻¹) специфична за апликацијата.

Во режимот за навртување на лим, уредот работи со максимална брзина додека завртката не се навртува. Брзината на вртежите потоа се намалува за подобра контрола, додека завртката не е целосно потонала во работното парче.

УПАТСТВА ЗА ЛИТИУМ-ЈОНСКИ БАТЕРИИ

Употреба на литиум-јонски батерии

Батриите кои не биле користени подолго време треба да се наполнат пред употреба.

Температура повисока од 50°C го намалуваат траењето на батериите. Избегнувајте подолго изложување на батериите на високи температури или сонце (ризик од прегревање).

Клемите на полначот и батериите мора да се одржуваат чисти.

За оптимален работен век батериите мора да се наполнат целосно по употреба.

За што е можно подолг век на траење, апаратите после нивното полнење треба да бидат извадени од полначот за батерии.

Во случај на складирање на батеријата подолго од 30 дена: Акумулаторот да се чува на температура од приближно 27°C и на суво место. Акумулаторот да се складира на приближно 30%-50% од состојбата на наполнетост. Акумулаторот повторно да се наполни на секои 6 месеци.

Заштита од преоптоварување на батеријата за литиум-јонски батерии

При преоптеретување на батеријата како резултат на мошне висока потрошувачка на струја, на пример екстремно високи вртежни моменти, ненадејно стопирање или краток спој, електро-алатот вибрира 5 секунди, приказот за полнење трепка и електро-алатот самостојно се исклучува.

За повторно вклучување ослободете го притискачот на прекинувачот, а потоа повторно вклучете. Во случај на екстремни оптоварувања батеријата се загрева премногу. Во таков случај трепкаат сите ламбички од приказот за полнење сè додека батеријата не се излади. По гаснење на приказот за полнење може да се продолжи со работа.

Транспорт на литиум-јонски батерии

Литиум-јонските батерии подлежат на законските одредби за транспорт на опасни материи.

Транспортот на овие батерии мора да се врши согласно локалните, националните и меѓународните прописи и одредби.

- Потрошувачите на овие батерии може да вршат непречен патен транспорт на истите.
- Комерцијалниот транспорт на литиум-јонски батерии од страна на шпедитерски претпријатија подлежат на одредбите за транспорт на опасни материи. Подготовките за шпедиција и транспорт треба да ги вршат исклучиво соодветно обучени лица. Целокупниот процес треба да биде стручно надгледуван.

При транспортот на батерии треба да се внимава на следното:

- Осигурајте се дека контактите се заштитени и изолирани, а сето тоа со цел да се избегнат кратки споеви.
- Внимавајте да не дојде до измествување на батериите во нивната амбалажа.
- Забранет е транспорт на оштетени или протечени литиум-јонски батерии.

За понатамошни инструкции обратете се до Вашето шпедитерско претпријатие.

ЧИСТЕЊЕ

Вентилациските отвори на машината мора да бидат комплетно отворени постојано.

ОДРЖУВАЊЕ

Користете само Milwaukee додатоци и резервни делови. Доколку некои од компонентите кои не се опишани треба да бидат заменети, Ве молиме контактирајте ги сервисните агенти на Milwaukee (консултирајте ја листата на адреси).

При потреба може да се побара експлозионен цртеж на апаратот со наведување на машинскиот тип и шестоцифрениот број на табличката со учинокот или во Вашата корисничка служба или директно кај Techtronic

Industries GmbH, Max-Eyth-Straße 10, 71364 Winnenden, Германија.

СИМБОЛИ



Ве молиме пред да ја стартувате машината обрнете внимание на упатствата за употреба.



ВНИМАНИЕ! ПРЕДУПРЕДУВАЊЕ! ОПАСНОСТ!



Извадете го батерискиот склоп пред отпочнување на каков и да е зафат врз машината.



Не отстранувајте ги отпадните батерии, отпадната електрична и електронска опрема како несортиран комунален отпад. Отпадните батерии и отпадната електрична и електронска опрема мора да се собираат посебно.

Отпадните батерии, отпадните акумулатори и отпадните извори на светлина треба да се отстранат од опремата. Проверете кај вашиот локален орган или продавач за совети за рециклирање и место за собирање.

Во зависност од локалните регулативи, трговците на мало може да се обврзани дополнително да ги преземаат искористените батерии, како и отпадната електрична и електронска опрема.

Вашиот придонес за повторна употреба и рециклирање на отпадните батерии и отпадната електрична и електронска опрема помага да се намали побарувачката на суровини.

Отпадните батерии, посебно оние што содржат литиум, и отпадната електрична и електронска опрема содржат вредни материјали за рециклирање, кои може негативно да влијаат на животната средина и на здравјето на луѓето доколку не се отстранат на еколошки компатибилен начин. Избришете ги личните податоци од отпадната опрема, доколку ги има.



Дополнителна опрема - Не е вклучена во стандардната, а достапна е како додаток.



Вртежи на празен од



Број на удари



Истосмерна струја



Европска ознака за сообразност




Ознака за сообразност на ОК



Украинска ознака за сообразност



Евроазиска ознака за сообразност

ТЕХНІЧНІ ХАРАКТЕРИСТИКИ	M12 FID2
Тип конструкції	Акумуляторний ударний гвинтокрут
Номер виробу	4812 94 01 XXXXXX MJJJJ
Напряга знімної акумуляторної батареї	12 V ---
Діапазони кількості обертів холостого ходу 1 / 2 / 3 / 	0–1700 / 0–2900 / 0–3600 / 0–3600 min ⁻¹
Макс. кількість ударів	0–4000 min ⁻¹
Макс. момент затягування	170 Nm
Затискач інструмента	1/4" (6mm) HEX
Макс. розмір гвинтів / розмір гайок	M14
Вага згідно з процедурою EPTA 01/2014 (2,0...6,0 Ah)	0,91...1,1 kg
Рекомендована температура довкілля під час роботи	-18...+50 °C
Рекомендовані типи акумуляторів	M12B...
Рекомендовані зарядні пристрої	M12-18C, M12-18AC, M12-18FC, C12C

Інформація про шум:

Виміряні значення визначені згідно з EN 62841.

Рівень шуму "А" приладу становить в типовому випадку:

Рівень звукового тиску / похибка К 99,25 dB(A) / 3 dB(A)

Рівень звукової потужності / похибка К 110,25 dB(A) / 3 dB(A)

Використовувати засоби захисту органів слуху!

Інформація щодо вібрації:

Сумарні значення вібрації (векторна сума трьох напрямків), встановлені згідно з EN 62841.

Значення вібрації a_w / похибка К 14,35 m/s^2 / 1,5 m/s^2


ПОПЕРЕДЖЕННЯ!

Заявлені значення шумового випромінювання, вказані в цьому інформаційному аркуші, було виміряно відповідно до стандартизованого випробування згідно з EN 62841 та можуть використовуватися для порівняння одного інструмента з іншим. Вони також можуть використовуватися для попередньої оцінки рівня впливу на організм.

Вказані значення вібрації та шумового випромінювання дійсні для основних областей застосування інструмента. Якщо інструмент використовується в інших областях застосування чи з іншим приладдям або не проходить належне обслуговування, значення вібрації та шумового випромінювання можуть відрізнятись. Це може суттєво збільшити рівень впливу на організм протягом загального періоду роботи.

Під час оцінки рівня впливу вібрації та шумового випромінювання на організм також необхідно враховувати періоди, коли інструмент вимкнено, чи коли він працює, але фактично не використовується для виконання роботи. Це може суттєво знизити рівень впливу на організм протягом загального періоду роботи.

Визначте додаткові заходи для захисту оператора від впливу вібрації та/або шуму, наприклад, обслуговування інструмента та його приладдя, зберігання рук у теплі, організація графіків роботи.

 УВАГА! Ознайомитись з усіма попередженнями з безпечного використання, інструкціями, ілюстративним матеріалом та технічними характеристиками, які надаються з цим електричним інструментом. Недотримання всіх наведених нижче інструкцій може призвести до ураження електричним струмом, пожежі та/або важких травм. Зберігайте всі вказівки з техніки безпеки та інструкції на майбутнє.

ВКАЗІВКИ З ТЕХНІКИ БЕЗПЕКИ ДЛЯ УДАРНОГО ГВИНТОКРУТА

Використовуйте засоби захисту органів слуху при ударному свердлінні. Вплив шуму може спричинити втрату слуху.

Тримайте пристрій за ізольовані поверхні ручок, коли виконуєте роботу, під час якої гвинт може наштовхнутися на приховані електропроводи. Контакт гвинта з проводом під напругою може сприяти виникненню напруги на металевих деталях пристрою та призвести до ураження електричним струмом.

ДОДАТКОВІ ІНСТРУКЦІ З ТЕХНІКИ БЕЗПЕКИ ТА ЕКСПЛУАТАЦІЇ

Використовуйте індивідуальні засоби захисту. Під час роботи з машиною завжди носіть захисні окуляри. Радимо використовувати захисний одяг, як наприклад маску для захисту від пилу, захисні рукавиці, міцне та

нековзне взуття, каску та засоби захисту органів слуху.

Пил, що утворюється під час роботи, часто буває шкідливим для здоров'я; він не повинен потрапляти в організм. Носіть відповідну маску для захисту від пилу.

Не можна обробляти матеріали, небезпечні для здоров'я (наприклад, азбест).

При блокуванні вставного інструменту негайно вимкнути прилад! Не вмикайте прилад, якщо вставний інструмент заблокований; при цьому може виникнути віддача з високим зворотнім моментом. Визначити та усунути причину блокування вставного інструменту з урахуванням вказівок з техніки безпеки.

Можливі причини:

- Перекіс в заготовці, що обробляється
- Пробивання оброблюваного матеріалу
- Перевантаження електроінструмента

Частини тіла не повинні потрапляти в машину, коли вона працює.

Вставний інструмент може нагріватися під час роботи.

ПОПЕРЕДЖЕННЯ! Небезпека опіків

- при заміні інструменту
- при відкладанні приладу

Не можна видаляти стружку або уламки, коли машина працює.

Під час роботи на стінах, стелях або підлозі звертати увагу на електричні кабелі, газові та водопровідні лінії.

Зафіксувати заготовку в затисковому пристрої.

Незакріплені заготовки можуть привести до тяжких травм та пошкоджень.

Перед будь-якими роботами на машині вийняти змінну акумуляторну батарею

Відпрацьовані знімки акумуляторні батареї не можна кидати у вогонь або викидати з побутовими відходами.

Milwaukee пропонує утилізацію старих знімних акумуляторних батарей, безпечно для довкілля; зверніться до свого дилера.

Не зберігати знімки акумуляторні батареї разом з металевими предметами (небезпека короткого замикання).

Знімки акумуляторні батареї системи M12 заряджати лише зарядними пристроями системи M12. Не заряджати акумуляторні батареї інших систем.

Не відкривати знімки акумуляторні батареї і зарядні пристрої та зберігати їх лише в сухих приміщеннях. Берегти від волого.

При екстремальному навантаженні або при екстремальній температурі з пошкодженою змінною акумуляторною батареєю може витікати електродит. При потрапленні електродиту на шкіру його негайно необхідно змити водою з милом. При потрапленні в очі їх необхідно негайно ретельно промити, щонайменше 10 хвилин, та негайно звернутися до лікаря.

Попередження! Для запобігання небезпеці пожежі в результаті короткого замикання, травм і пошкодженню виробів не занурюйте інструмент, змінний акумулятор або зарядний пристрій у рідину і не допускайте потраплення рідини всередину пристроїв або акумуляторів. Корозійні і струмопровідні рідини, такі як солоний розчин, певні хімікати, вибілювальні засоби або продукти, що їх містять, можуть призвести до короткого замикання.

ВИКОРИСТАННЯ ЗА ПРИЗНАЧЕННЯМ

Акумуляторний ударний гвинтокрут можна використовувати універсально для пригвинчування та відгвинчування гвинтів та гайок незалежно від мережевого живлення.

Цей прилад можна використовувати тільки за призначенням так, як вказано в цьому документі.

ЗАЛИШКОВІ РИЗИКИ

Навіть при належному використанні не можна виключити всі залишкові ризики. При використанні можуть виникнути такі небезпеки, на які користувач повинен звернути особливу увагу:

- Травми внаслідок вібрації.
Тримайте прилад за передбачені для цього руків'я і обмежуйте час роботи та експозиції.
- Шумовий вплив може погіршити слух.
Носіть захисні навушники і обмежуйте тривалість експозиції.
- Травми очей, викликані частинками забруднень.
Завжди надягайте захисні окуляри, щільні довгі штани, рукавиці і міцне взуття.
- Вдихання отруйного пилу.

ЕКСПЛУАТАЦІЯ

Вказівка: рекомендовано після закручування завжди перевіряти момент затягування за допомогою динамометричного ключа.

Момент затягування залежить від великої кількості чинників, а саме:

- Стан батареї — коли батарея розряджена, напруга спадає, тому момент затягування зменшується.
- Швидкість обертання — застосування інструмента з нижчою швидкістю обертання призводить до зменшеного моменту затягування.
- Положення при затягуванні — спосіб утримання інструмента й елемента кріплення впливає на момент

затягування.

- Торцева головка та насадка — використання торцевої головки та насадки невідповідного розміру чи недостатньо міцного приладдя зменшує момент затягування.
- Використання приладдя та подовжувачів — у залежності від приладдя та подовжувачів момент затягування інструмента може зменшитися.
- Гвинт/гайка — момент затягування може змінюватися в залежності від діаметру, довжини та класу міцності гвинта/гайки.
- Стан елементів кріплення — забруднені, вражені корозією, сухі чи змащені елементи кріплення можуть впливати на момент затягування.
- Елементи, що підлягають закручуванню — міцність елементів, що підлягають закручуванню, та інших елементів між ними (сухий або змащений, твердий або м'який, шайба, ущільнювач) можуть впливати на момент затягування.

ТЕХНІКИ ЗАКРУЧУВАННЯ

Чим довше докладається зусилля на болт, гвинт або гайку, тим міцніше вони закручуються.

Щоб уникнути пошкодження елементів кріплення чи виробу, уникайте занадто довгого докладання зусиль.

Будьте особливо уважними, працюючи з маленькими кріпильними елементами, тому що вони потребують меншої кількості імпульсів для досягнення оптимального моменту затягування.

Потренуйтеся на різних елементах кріплення та візьміть на увагу той час, який потрібен, щоб досягнути бажаного моменту затягування.

Перевірте момент затягування за допомогою ручного динамометричного ключа.

Якщо момент затягування зavelикиий, зменшить час докладання зусиль.

Якщо момент затягування замалий, збільшить час докладання зусиль.

Мастило, бруд, іржа та інші забруднення на різьбі або під головкою елемента кріплення впливають на величину моменту затягування.

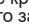
Обертальний момент, який потрібен для відкручування, складає в середньому 75–80 % від моменту затягування, в залежності від стану контактних поверхонь.

Закручіть з відносно невеликим моментом затягування, а потім остаточно закрутіть за допомогою ручного динамометричного ключа.

КЕРУВАННЯ ПРИВОДОМ



Кнопка керування приводом служить для регулювання кількості обертів в залежності від сфери застосування (об/хв / min⁻¹).

У режимі роботи із саморезами  інструмент при вкручуванні гвинтів працює з максимальною кількістю обертів. Потім швидкість обертання зменшується, що сприяє кращому контролю над інструментом під час повного занурення гвинта в заготовку.

ВКАЗІВКИ ЩОДО ЛІТІЙ-ІОННИХ АКУМУЛЯТОРІВ

Застосування літій-іонних акумуляторів

Акумуляторну батарею, що не використовувалася тривалий час, перед використанням необхідно підзарядити.

Температура понад 50 °C зменшує потужність акумуляторної батареї. Уникати тривалого нагрівання сонячними променями або системою обігріву.

З'єднувальні контакти зарядного пристрою та

акумуляторної батареї повинні бути чистими.

Для забезпечення оптимального строку експлуатації акумуляторної батареї після використання необхідно повністю зарядити.

Для забезпечення максимально можливого терміну експлуатації акумуляторної батареї після зарядки необхідно виймати з зарядного пристрою.

При зберіганні акумуляторної батареї понад 30 днів: Зберігати акумуляторну батарею при температурі приблизно 27 °C в сухому місці. Зберігати акумуляторну батарею в стані зарядки приблизно 30-50 %.

Кожні 6 місяців заново заряджати акумуляторну батарею.

Захист від перевантаження літій-іонних акумуляторів

У випадку перевантаження акумуляторної батареї наслідок дуже високого споживання струму, наприклад, надмірно високого крутильного моменту, раптової зупинки або короткого замикання, електронний інструмент відріє 5 секунд, індикатор заряду блимає, електронний інструмент самостійно вимикається.

Для повторного увімкнення відпустити кнопку вимикача і знов увімкнути.

При надмірних навантаженнях акумуляторна батарея сильно перегрівається. В цьому випадку всі лампочки індикатора заряду блимають, доки акумуляторна батарея не охолоне. Можна продовжити роботу після того, як індикатор заряду згасне.

Транспортування літій-іонних акумуляторів

Літій-іонні акумуляторні батареї підпадають під законодавства про перевезення небезпечних вантажів.

Транспортування таких акумуляторних батарей повинно відбуватися із дотриманням місцевих, національних та міжнародних приписів та положень.

- споживачі можуть без проблем транспортувати ці акумуляторні батареї по вулиці.
- Комерційне транспортування літій-іонних акумуляторних батарей експедиторськими компаніями підпадає під положення про транспортування небезпечних вантажів. Підготовку до відправлення та транспортування можуть здійснювати виключно особи, які пройшли відповідне навчання. Весь процес повинні контролювати кваліфіковані фахівці.

При транспортуванні акумуляторних батарей необхідно дотримуватись зазначених далі пунктів:

- Переконайтеся в тому, що контакти захищені та ізольовані, щоб запобігти короткому замиканню.
- Слідкуйте за тим, щоб акумуляторна батарея не переміщувалася всередині упаковки.
- Пошкоджені акумуляторні батареї, або акумуляторні батареї, що потекли, не можна транспортувати.

Для отримання подальших вказівок звертайтеся до своєї експедиторської компанії.

ЧИЩЕННЯ

Завжди підтримувати чистоту вентиляційних отворів.






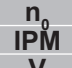







ОБСЛУГОВУВАННЯ

Використовувати тільки комплектуючі та запчастини Milwaukee. Деталі, заміна яких не описується, замінювати тільки в відділі обслуговування клієнтів Milwaukee (зверніть увагу на брошуру "Гарантія / адреси сервісних центрів").

У разі необхідності можна запросити креслення з зображенням вузлів машини в перспективному вигляді, для цього потрібно звернутися в ваш відділ обслуговування клієнтів або безпосередньо в Techtronic Industries GmbH, Max-Eyth-Straße 10, 71364 Winnenden, Німеччина, та вказати тип машини та шестизначний

номер на фірмовій табличці з даними машини.

СИМВОЛИ

	Уважно прочитайте інструкцію з експлуатації перед введенням пристрою в дію.
	УВАГА! ПОПЕРЕДЖЕННЯ! НЕБЕЗПЕЧНО!
	Перед будь-якими роботами на машині вийняти змінну акумуляторну батарею
	Не утилізуйте відпрацьовані батарейки й відпрацьоване електричне та електронне обладнання разом з змішаними побутовими відходами. Відпрацьовані батарейки, відпрацьоване електричне та електронне обладнання необхідно збирати окремо. Відпрацьовані батарейки, відпрацьовані акумулятори, відпрацьовані джерела світла повинні бути вилучені з обладнання. Зверніться до місцевих органів влади або роздрібного продавця за порадою щодо утилізації та пункту збору. Відповідно до місцевих постанов, роздрібні продавці можуть бути зобов'язані безкоштовно забирати назад відпрацьовані акумулятори, електричне та електронне обладнання. Ваш внесок до повторного вживання та переробки відпрацьованих батарейок і відпрацьованого електричного та електронного обладнання допомагає зменшити попит на сировину. Відпрацьовані батарейки, зокрема, що містять літій, і відпрацьоване електричне та електронне обладнання містять цінні матеріали, які можуть бути перероблені, та мають негативний вплив на довкілля й здоров'я людей, якщо не будуть утилізовані у безпечний для довкілля спосіб. Видаліть особисті дані з відпрацьованого обладнання, якщо такі є.
	Комплектуючі - не входять в обсяг постачання, рекомендовані доповнення з програми комплектуючих.
	Кількість обертів холостого ходу
	Кількість ударів
	Напруга
	Постійний струм
	Європейський знак відповідності
	Британський знак відповідності
	Український знак відповідності
	Євразійський знак відповідності

يرجى قراءة التعليمات بعناية قبل بدء تشغيل الجهاز.

	تنبيه! تحذير! خطر!
	قم بإزالة حزمة البطارية قبل البدء في أي أعمال على الجهاز.
	يحظر التخلص من البطاريات القديمة والأجهزة الكهربائية والإلكترونية القديمة سوياً مع القمامة المنزلية. يجب جمع البطاريات القديمة والأجهزة الكهربائية والإلكترونية القديمة والتخلص منها بشكل منفصل. أنزع البطاريات القديمة والمراكم القديمة والمصابيح من الأجهزة قبل التخلص منها. الرجاء الاستفسار لدى الجهات الرسمية في المكان أو لدى التجار المتخصصين عن مواقع إعادة الاستغلال ومواقع الجمع. وفقاً للوائح المحلية، قد يُطلب من تجار التجزئة استعادة البطاريات القديمة والأجهزة الكهربائية والإلكترونية القديمة مجاناً. ساهم في الحد من الحاجة إلى المواد الخام عن طريق إعادة استخدام البطاريات القديمة والأجهزة الكهربائية والإلكترونية القديمة الخاصة بك وإعادة تدويرها. تحتوي البطاريات القديمة (وعلى الأخص بطاريات أيون الليثيوم) والأجهزة الكهربائية والإلكترونية القديمة على مواد قيمة وقابلة لإعادة التدوير يمكن أن يكون لها آثار سلبية على البيئة وصحتك في حالة عدم التخلص منها على نحو يتماشى مع البيئة. قبل التخلص قم بمحو البيانات الشخصية التي قد تكون على جهازك القديم.
	الملحق - ليس مدرجاً كمعدة قياسية، متوفر كملحق.
	سرعة الدوران
	معدل الدق
	الجهد الكهربائي
	التيار المستمر
	علامة التوافق الأوروبية
	علامة الملائمة البريطانية
	علامة التوافق الأوكرانية
	001
	علامة التوافق الأوروبية الآسيوية

البيانات الفنية	
الطرز	M12 FID2
إنتاج عدد	مفك براغي كهربي لاسلكي <p>4812 94 01 XXXXXX MJJJJ</p>
فولطية البطارية	12 V ---
مجالات عدد دورات الحمل الخالي 1 / 2 / 3 ⚙	0–1700 / 0–2900 / 0–3600 / 0–3600 min ⁻¹
أقصى عدد ضربات	0–4000 min ⁻¹
أقصى قوة شد	170 Nm
استقبال الآلة	1/4" (6mm) HEX
الحد الأقصى لقطر المسامر / الصامولة	M14
الوزن وفقا لنهج EPTA رقم 01/2014 (Ah 6.0...2.0)	0,91... 1,1 kg
درجة حرارة الجو المحيط المنصوح بها عند العمل	-18...+50 °C
طرز البطارية المنصوح به	M12B...
أجهزة الشحن المنصوح بها	M12-18C, M12-18AC, M12-18FC, C12C

معلومات الضوضاء:

القيم التي تم قياسها محددة وفقا للمعايير الأوروبية EN 62841

مستويات ضوضاء الجهاز، ترجيح أ بشكل نمذجي كالتالي:

مستوى ضغط الصوت / الارتياح في القياس

مستوى شدة الصوت / الارتياح في القياس

ارتد وأقيات الأذن!

معلومات الاهتزاز:

قيم الذبذبات الإجمالي (مجموع الكميات الموجهة في المحاور الثلاثة) محددة وفقا للمعايير الأوروبية EN 62841.

قيمة انبعاث الذبذبات (ah) / قيمة غير مؤكدة ك

⚠ تحذير!

تم قياس مستوى الاهتزاز وانبعاث الضوضاء الوارد في ورقة المعلومات هذه، وفقاً لاختبار قياسي محدد في المواصفة EN 62841، ويمكن استخدامه لمقارنة آلة مع أخرى.. كما يمكن استخدام ذلك أيضاً في إجراء تقييم أولي للتعرض.

يمثل مستوى الاهتزاز وانبعاث الضوضاء المعلمان عنه الاستخدامات الأساسية للآلة. ومع ذلك، إذا أُستعملت الآلة في استخدامات مختلفة، أو بملحقات مختلفة، أو تم صيانتها على نحو سيئ، فقد يختلف مستوى الاهتزاز وانبعاث الضوضاء. وهذا قد يزيد -إلى حد كبير- من مستوى التعرض خلال مدة العمل الإجمالية.

عند تقييم مستوى التعرض للاهتزاز والضوضاء، ينبغي أيضاً أن يوضع في الاعتبار فترات إطفاء الآلة أو تشغيلها دون أن تقوم بأي وظيفة فعليًا. فهذا قد يقلل -إلى حد كبير- من مستوى التعرض خلال مدة العمل الإجمالية.

تعرف على تدابير السلامة الإضافية؛ لحماية المشغل من تأثيرات الاهتزاز أو الضوضاء أو كليهما، مثل: صيانة الآلة وملحقاتها، والحفاظ على دفة اليدين، وتنظيم نماذج العمل.

لا تلامس بيديك الماكينة أثناء دورانها.

الأداة المستخدمة قد تسخن خلال الاستخدام.

تحذير! هناك خطر الإصابة بحروق

- عند استبدال الأداة
- عند وضع الجهاز

لا يجب إزالة النشارة والشظايا أثناء تشغيل الآلة.

عند العمل في سقف الحوائط أو الأرضية، توخ الحذر وتجنب الكابلات الكهربائية وأبواب الغاز أو المياه.

قم بتأمين القطعة المستخدمة من المواد في تجهيز ة تثبيت.

القطع المستخدمة من المواد الغير مرمنة يمكن أن تسبب في إصابات وأضرار حادة. قم بإزالة حزمة البطارية قبل البدء في أي أعمال على الجهاز.

لا تتخلص من البطاريات المستعملة مع النفايات المنزلية أو بحرقها. يقدم موزعو ميلوكي خدمة استعادة البطاريات القديمة لحماية البيئة.

لا يتم بتخزين البطارية مع الأشياء المعدنية (خطر قصر الدائرة)..

استخدم فقط شواحن System M12 لشحن بطاريات System M12 . لا تستخدم بطاريات من أنظمة أخرى.

لا تقم أبداً بفتح قفل البطارية والشواحن ولا تخزينهم إلا في غرف جافة. وحافظ عليها جاف طوال الوقت.

قد يتسرب حمض البطارية من البطاريات التالفة في ظروف الحمل الزائد بدرجة كبيرة أو في درجات الحرارة الشديدة. في حالة ملامسة حمض البطارية اغسل بيديك فوراً بماء والصابون. في حالة ملامسة المسائل للعينين اشطفهما جيدا لمدة 10 دقائق على الأقل واطلب العناية الطبية فوراً.

تحذير! لتجنب أخطار الحريق أو الإصابة أو الإضرار بالمنتج التي تنجم عن الماس الكهربائي، لا تعمر الأداة أو البطارية القابلة للاستبدال أو جهاز الشحن في السوائل وأحرص على أن لا تصل السوائل إلى داخل الجهاز والبطارية. السوائل المؤدية للتآكل أو الموصلة للتيار الكهربائي، مثل الماء المالح ومركبات كيميائية معينة ومواد التبييض الأقل والطلب العناية الطبية فوراً.

في نظام مسامير ⚙الصفيح يعمل الجهاز بأقصى سرعة دوران حتى يتم يدخل المسامير. بعد ذلك تتخفض سر ع الدوران من التحكم الأفضل، حتى يخفني المسامير في موضع العمل.

شروط الاستخدام المحددة

يمكن استخدام مفتاح ربط بدون وصلة لربط وفك المسامير والصواميل عند عدم توفر التوصيل الكهربي.

لا تستخدم هذا المنتج بأي طريقة أخرى غير مصرح بها للاستخدام العادي.

المخاطر المتبقية

أيضاً عند الاستخدام الصحيح لا يمكن استبعاد جميع المخاطر المتبقية. عند الاستعمال قد تنشأ المخاطر التالية التي يجب على المستخدم مراعاتها بشكل خاص.

- الإصابات التالجة عن الاهزازات.
- أمسك الجهاز من المقابض المخصصة لذلك وحدد أوقات العمل وخطة العمل.
- يمكن أن تسبب الضوضاء في أضرار سمعية. لذا يرح ارتداء وافي للسمع وقم بتحديد فترة العمل.
- إصابات العين الناجمة عن جزئيات القنورات.
- ارتدي دامنًا نظارة واقية، وينظفون طويلاً وقفازات وحذاء وافي
- استنشاق الاترية السامة.

التشغيل

إرشاد: من المنصوح به، مراجعة شد عزم الدوران دائماً باستخدام مفتاح عزم الدوران.

يتأثر شد عزم الدوران بعدد كبير من العوامل، بما فيها العوامل التالية.

- حالة شحن البطارية - إذا فرغت البطارية، ينخفض الجهد ويقل بالتالي شد عزم الدوران.
- عدد الدورات - إن استخدام الأداة بسرعة منخفضة يؤدي إلى شد بعزم دوران منخفض.
- موضع التثبيت - الطريقة والأسلوب التي تمسك بها الأداة أو عنصر التثبيت، تؤثر على شد عزم الدوران.
- لحمة التווوير/ الترتيب - إن استخدام لحمة تווوير أو تركيب بحجم خاطئ أو استخدام مستلزمات غير مقاومة للصدمات يحد من شد عزم الدوران.
- استخدام مستلزمات وأدوات تمديد - تبعاً للمستلزم أو أداة المد يمكن الحد من شد عزم دوران مفك التثبيت الضاغط.
- المسامر القلاوظ/الصمولة - شد عزم الدوران قد يتنوع تبعاً لقطر وطول ودرجة صلابة المسامر القلاوظ/الصمولة.
- حالة أدوات التثبيت - إن عناصر التثبيت التي بها صدأ والجافة أو التي عليها زيوت يمكن أن تؤثر على شد عزم الدوران.
- الأجزاء التي يجب تركيبها - صلابة الأجزاء التي يجب تركيبها وكل جزء بينها (جاف أو عليه زيوت، لين أو صلب، قرص، سداة إحكام أو قرص بيني) يمكن أن يؤثر على شد عزم الدوران.

تثبيت التركيب

كلما تم التحميل على الخابور أو المسامر القلاوظ أو الصمولة بشكل أطول، كلما تم شدھا بشكل أقوى.

لتجنب الإضرار بمواد التثبيت أو أجزاء العمل تجنب التווوير بشكل أكثر من اللازم.

أحذر بشكل خاص، إذا قمت بالتأثير على مواد تثبيت صغيرة. لأنها تحتاج إلى دورات أقل، لكي يتم الوصول إلى شد عزم دوران مناسب.

تدرب على عناصر تثبيت متنوعة ولاحظ الوقت الذي تحتاجه، لكي تصل إلى شد عزم الدوران المرغوب فيه.

راجع على شد عزم الدوران باستخدام مفتاح يدوي لقياس عزم الدوران.

إذا كان شد عزم الدوران عالياً، قم بخفض فترة الدوران.

إذا كان شد عزم الدوران غير كافي، قم بزيادة فترة الدوران.

الزيت والتلوث والصدأ أو أي تلوئآت أخرى على القلاوظ أو أسفل رأس مواد التثبيت تؤثر على ارتفاع شد عزم الدوران.

عزم الدوران اللازم لفك مادة تثبيت يبلغ في المتوسط 75% إلى 80% من شد عزم الدوران، ويتوقف ذلك على حالة سطح التلامس.

قم بإجراء أعمال التركيب الخفيفة باستخدام شد عزم دوران ضئيل نسبياً وللشد النهائي استخدم مفتاح يدوي لقياس عزم الدوران.

النظام التحكم في أليات التشغيل

يعمل زر التحكم في التشغيل لضبط عدد الدورات دون ارتباط بالاستخدام (دقيقة 1-).

في نظام مسامير ⚙الصفيح يعمل الجهاز بأقصى سرعة دوران حتى يتم يدخل المسامير. بعد ذلك تتخفض سر ع الدوران من التحكم الأفضل، حتى يخفني المسامير في موضع العمل.

إرشادات خاصة ببطاريات أيون الليثيوم القابلة للشحن

استخدام بطاريات أيون الليثيوم القابلة للشحن

يجب إعادة شحن البطارية غير المستخدمة لفترة قبل الاستخدام.

تقلل درجات الحرارة التي تتجاوز 50°سليزيوس (122°فهرنهايت) من أداء البطارية. تجنب التعرض الزائد للحرارة أو أشعة الشمس (خطر التسخين)..

يجب الحفاظ على مواضع اتصال الشواحن و البطاريات القابلة للشحن نظيفة.

للحصول على فترة استخدام مثالية، يجب شحن البطاريات تماما، بعد الاستخدام.

للحصول على أطول عمر ممكن للبطارية، انزع البطاريات القابلة للشحن من الشاحن بمجرد شحنها تماما.

لتخزين البطارية أكثر من 30 يوم:

خزن البطارية بحيث تكون درجة الحرارة أقل من °27 سليزيوس وبعيدا عن أي رطوبة.

خزن البطارية مشحونة بنسبة تتراوح بين 30%-50% اشحن البطارية كالمعتاد، وذلك كل ستة أشهر من التخزين.

حماية بطاريات أيون الليثيوم القابلة للشحن من التحميل الزائد

في حالات العزم العالي، أو إعاقعة الحركة أو التوقف المفاجئ أو القصور في الدائرة الكهربائية الذي ينتج عنه سحب لقدر كبير من التيار الكهربائي، ستصدر الأداة ذبذبات لمدة 5 ثوان، وسيضيء مقياس الوقود ثم تتوقف عن العمل. لإعادة الضبط، حرر الزناد.

في الظروف القصوى للعمل، قد ترتفع درجة الحرارة الداخلية للبطارية ارتفاعاً شديداً. إذا حدث ذلك، سيضيء مقياس الوقود حتى تتخفض درجة حرارة البطارية. بعد انطفاء الأضواء، يمكنك متابعة العمل.

نقل بطاريات أيون الليثيوم القابلة للشحن

تخضع بطاريات الليثيوم أيون لشروط قوانين نقل السلع الخطرة.

ويجب نقل هذه البطاريات وفقاً للأحكام والقوانين المحلية والوطنية والدولية.

- يمكن للمستخدم نقل البطاريات برأ دون الخضوع لشروط أخرى.
- يخضع النقل التجاري لبطاريات الليثيوم أيون عن طريق الغير إلى قوانين نقل السلع الخطرة. يتعين أن يقوم أفراد مدربون جيداً بالإعداد لعملية النقل والقيام بها بصحبة خبير أهلهم.

متى تُنقل البطاريات:

- عند التأكد من حماية أطراف توصيل البطارية وعزلها تجنباً لحدوث قصر بالدائرة.
- عند التأكد من حماية حزمة البطارية من الحركة داخل صندوق التعبئة.
- يُرعى عدم نقل البطاريات التي بها تشققات أو تسربات.

يُرعى البحث مع شركة الشحن عن نصيحة أخرى

التنظيف

يجب أن تكون فتحات تهوية الجهاز نظيفة طوال الوقت.

الصيانة

استخدم فقط ملحقات ميلوكي وكذلك قطع غيار ميلوكي. إذا كانت المكونات التي يجب تغييرها غير منكورة، يرجى الاتصال بأحد عملاء صيانة ميلوكي (انظر قائمة عناوين الضمان/الصيانة الخاصة بنا).

عند الحاجة يمكن طلب رمز انفجار الجهاز بعد ذكر طراز الآلة والرقم السداسي المذكور على بطاقة طاقة الآلة لدى جهة خدمة العملاء أو مباشرة لدى شركة Techronic Industries GmbH
Max-Eyth-Straße 10
Winnenden 71364
ألمانيا

EC DECLARATION OF CONFORMITY

We declare as the manufacturer under our sole responsibility that the product described under "Technical Data" fulfills all the relevant regulations and directives listed below and that the following harmonized standards have been used.

EG-KONFORMITÄTSEKTLÄRUNG

Wir erklären als Hersteller in alleiniger Verantwortung, dass das unter „Technische Daten“ beschriebene Produkt alle nachstehend aufgeführten relevanten Verordnungen und Richtlinien erfüllt und dass die folgenden harmonisierten Normen angewandt wurden.

DÉCLARATION CE DE CONFORMITÉ

Nous déclarons en tant que fabricant et sous notre seule responsabilité, que le produit décrit dans « Données techniques » est conforme à toutes les réglementations et directives pertinentes mentionnées ci-après et que les normes harmonisées suivantes ont été appliquées.

DICHIARAZIONE CE DI CONFORMITÀ

In qualità di produttore dichiariamo sotto la nostra esclusiva responsabilità che il prodotto descritto nei "Dati tecnici" è conforme a tutti i regolamenti e tutte le direttive pertinenti elencati qui di seguito e che sono state usate le seguenti norme armonizzate.

DECLARACIÓN CE DE CONFORMIDAD

Declaramos como fabricante y bajo nuestra responsabilidad que el producto descrito bajo "Datos técnicos" está en conformidad con todos los reglamentos y directivas detallados a continuación y que se han utilizado las siguientes normas armonizadas.

DECLARAÇÃO CE DE CONFORMIDADE

Como fabricante, declaramos sob responsabilidade exclusiva, que o produto descrito sob "Dados Técnicos" corresponde com todos os regulamentos relevantes e directivas abaixo que as seguintes normas harmonizadas foram utilizadas.

EG-VERKLARING VAN OVEREENSTEMMING

Wij als fabrikant verklaren in uitsluitende verantwoording dat het onder "Technische gegevens" beschreven product aan alle onderstaand vermelde relevante verordeningen en richtlijnen voldoet en dat de volgende geharmoniseerde normen werden toegepast.

EF-OVERENSSTEMMELSESERKLÆRING

Vi erklærer som produsent og eneansvarlig, at produktet, der er beskrevet under "Tekniske data", opfylder kravene i alle relevante forordninger og direktiver som nævnt nedenfor og at nedenstående harmoniserede standarder er blevet anvendt.

EU-SAMSVARSERKLÆRING

Som produsent erklærer vi under eget ansvar at produktet som beskrives under "Tekniske data" opfylder alle relevante forordninger og direktiver som står oppført nedenfor og at de følgende harmoniserede standarder har blitt brukt.

EG-FÓRSÁKRAN ÖVERENSSTÄMMELSE

Vi som tillverkare förklarar under eget ansvar, att den produkt som beskrivs under "Tekniska data" överensstämmer med alla de nedan angivna relevanta förordningarna och direktiven och att de följande harmoniserade normen har tillämpats.

EY-VAATIMUSTENMUKAISUUSVAKUUTUS

Vakuutamme valmistajan ominaisuudessa yksinvastuullisesti, että kohdassa "Tekniset tiedot" kuvattu tuote täyttää kaikki seuraavassa luetellut sitä koskevat asetukset ja direktiivit ja että seuraavia harmonisoituja standardeja on sovellettu.

ΑΝΩΣΗ ΣΥΜΜΟΡΦΩΣΗΣ ΕΚ

Ως κατασκευαστής δηλώνουμε υπεύθυνα ότι το προϊόν που περιγράφεται στο κεφάλαιο «Τεχνικά Χαρακτηριστικά», πληροί όλους τους κανονισμούς κι όλες τις οδηγίες που αναφέρονται σχετικά παρακάτω, και για το οποίο έχουν εφαρμοστεί τα ακόλουθα εναρμονισμένα πρότυπα.

AT UYGUNLUK BEYANI

Üretici sıfatıyla tek sorumlu olarak "Teknik Veriler" bölümünde tarif edilen ürünün aşağıda sıralanan bütün ilgili yönetmelik ve direktiflere uygun olduğunu ve aşağıdaki uyumlaştırılmış standartların kullanıldığını beyan etmekteyiz.

ES PROHLÁŠENÍ O SHODĚ

My jako výrobce prohlašujeme na svou vlastní odpovědnost, že produkt popsaný v části „Technické údaje“ splňuje všechna příslušná nařízení a směrnice uvedené níže a že byly použity následující harmonizované normy.

ES VYHLÁŠENIE O ZHODE

"My ako výrobca vyhlasujeme na vlastnú zodpovednosť, že produkt popísaný v časti „Technické údaje“ spĺňa všetky príslušné nariadenia a smernice uvedené nižšie a že boli použité nasledujúce harmonizované normy.

DEKLARACJA ZGODNOŚCI WE

Jako producent oświadczamy na naszą wyłączną odpowiedzialność, że produkt opisany w punkcie „Dane techniczne” odpowiada wszystkim poniższym istotnym rozporządzeniom oraz dyrektywom, a także iż zastosowano poniższe zharmonizowane normy:

EK-MEGFELELŐSÉGI NYILATKOZAT

Gyártóként egyedüli felelősséggel kijelentjük, hogy a „Műszaki Adatok” alatt leírt termék megfelel a következőkben felsorolt minden releváns rendeletnek és irányelvnek, és hogy a következőkben harmonizált szabványok kerültek használatra.

ES-IZJAVA O SKLADNOSTI

Mi kao proizvođač izjavljujemo na osobnu odgovornost, da je proizvod, opisan pod "Tehnički podaci", sukladan sa svim relevantnim propisima i u nastavku navedenim smjernicama i harmoniziranim normalivima dokumenata.

IZJAVA O SUKLADNOSTI

Mi kao proizvođač izjavljujemo na osobnu odgovornost, da proizvod opisan pod "Tehnički podaci", ispunjava sve u nastavku navedene relevantne odredbe i smjernice i da su sljedeće harmonizirane norme bile primijenjene.

EK ATBILSTĪBAS DEKLARĀCIJA

Mēs kā ražotājs un vienīgā atbildīgā persona apliecinām, ka "Tehniskajos datos" raksturotais produkts atbilst visiem attiecīgajiem noteikumiem un vadlīnijām, kas uzskaitītas turpmāk, un ka ir izmantoti šādi saskaņotie standarti.

EB ATITIKTIES DEKLARACIJA

Gamintojo vardu atskaitingai pareiškiame, kad gaminyus, aprašytas skyriuje „Techniniai duomenys“, atitinka visus toliau išvardytus susijusių reglamentų, direktyvų ir darnųjų standartų taikomus reikalavimus.

EÜ VASTAVUSDEKLARATSIOON

Kinnitame tootjana ainuisikuliselt vastutades, et jaotises „Tehnilised andmed“ kirjeldatud toode on kooskõlas allpool nimetatud direktiivide asjaomaste eeskirjadega ja ühtlustatud normdokumentidega ning et on kasutatud järgmisi ühtlustatud standardeid.

ДЕКЛАРАЦИЯ СООТВЕТСТВИЯ ЕС

Мы как производитель под собственную ответственность заявляем о том, что описанное в разделе «Технические характеристики» изделие отвечает всем нижеперечисленным соответствующим предписаниям и директивам и что в отношении него применяются следующие гармонизированные стандарты.

ДЕКЛАРАЦИЯ ЗА СЪОТВЕТСТВИЕ НА ЕО

В качеството си на производител декларираме на собствена отговорност, че продуктът, описан в „Технически данни“, отговаря на всички изброени по-нататък приложими регламенти и директиви и че са използвани посочените хармонизирани стандарти.

DECLARAȚIE DE CONFORMITATE CE

În calitate de producător declarăm pe propria răspundere că produsul descris la "Date tehnice" este în concordanță cu toate regulamentele și directivele relevante de mai jos și că au fost utilizate următoarele norme armonizate.

EK-DEKLARACIJA ZA SOOBRAZNOST

Kako proizvođačtel, izjavuваме под целосна одговорност дека производот опишан во „Технички податоци“ подолу е во согласност со сите релевантни одредби и регулативи наведени подолу и дека се користени следниве усогласени стандарди.

ДЕКЛАРАЦИЯ ЕС ПРО ВІДПОВІДНІСТЬ

Як виробник, ми заявляємо на власну відповідальність, що вироб, описаний у розділі "Технічних даних", відповідає всім застосовним положенням директив і приписам перерахованим нижче, і що щодо нього були використані наступні гармонізовані стандарти.

إقرار المطابقة وفقاً للمواصفات الأوروبية
موجب هذا نقر نحن كشركة منتجة وعلى مسؤوليتنا المفردة، أن المنتج الموصوف تحت "البيانات الفنية" يطابق جميع الأوامر والتوجيهات الهامة المذكورة فيما يلي وقد جرى فيها استخدام معايير التوافق التالية:

2011/65/EU (RoHS)
2014/30/EU
2006/42/EC

EN 62841-1-2:2015
EN 62841-2-2:2014
EN IEC 55014-1:2021
EN IEC 55014-2:2021
EN IEC 63000:2018

Winnenden, 2022-02-02

Alexander Krug
Managing Director



Authorized to compile the technical file

Bevollmächtigt die technischen Unterlagen zusammenzustellen.

Autorisé à compiler la documentation technique.

Autorizzato alla preparazione della documentazione tecnica

Autorizado para la redacción de los documentos técnicos.

Autorizado a reunir a documentação técnica.

Gemachtigd voor samenstelling van de technische documenten

Autoriseret til at udarbejde de tekniske dokumenter.

Autorisert til å utarbeide den tekniske dokumentasjonen

Bevollmächtigd att sammanställa teknisk dokumentation.

Valtuutettu kokoamaan tekniset dokumentit.

Εξουσιοδοτημένος να συντάξει τον τεχνικό φάκελο.

Teknik evrakları hazırlamakla görevlendirilmiştir.

Zplnomocněn k sestavování technických podkladů.

Splnomocnený zostaviť technické podklady.

Upełnomocniony do zestawienia danych technicznych

Műszaki dokumentáció összeállításra felhatalmazva

Pooblaščen za izdelavo spisov tehnične dokumentacije.

Ovlašten za formiranje tehničke dokumentacije.

Pilnvarotais tehnikās dokumentācijas sastādīšanā.

Igaliotas parengti techninius dokumentus.

On volitatud koostama tehnilist dokumentatsiooni.

Уполномочен на составление технической документации.

Упълномощен за съставяне на техническата документация

Ëmputernicit să elaboreze documentația tehnică.

Opolnomoshthen za sostavuvanje na tehnikata dokumentacija.

Уповноважений из складання технічної документації.

معتمدة للمطابقة مع الملف الفني

Techtronic Industries GmbH
Max-Eyth-Straße 10
71364 Winnenden
Germany

GB-DECLARATION OF CONFORMITY

We declare as the manufacturer under our sole responsibility that the product described under "Technical Data" fulfills all the listed below relevant regulations and that the following designated standards have been used.

S.I. 2008/1597 (as amended)
S.I. 2016/1091 (as amended)
S.I. 2012/3032 (as amended)

BS EN 62841-1:2015
BS EN 62841-2-2:2014
BS EN IEC 55014-1:2021
BS EN IEC 55014-2:2021
BS EN IEC 63000:2018

Winnenden, 2022-02-02

Alexander Krug
Managing Director

Authorized to compile the technical file:

Techtronic Industries (UK) Ltd
Parkway
Marlow SL7 1YL
UK

Copyright 2022

Techtronic Industries GmbH
Max-Eyth-Str. 10
71364 Winnenden
Germany
+49 (0) 7195-12-0
www.milwaukeeetool.eu

Techtronic Industries (UK) Ltd
Parkway
Marlow SL7 1YL
UK

(03.22)

4931 4706 29