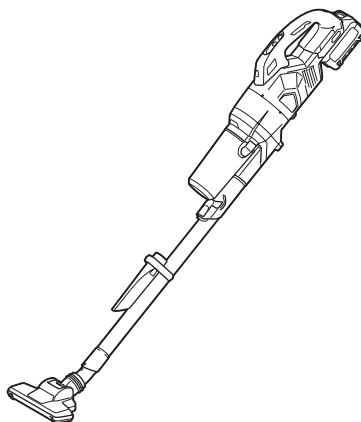




| | | | |
|-----------|---------------------------|-----------------------------|----|
| EN | Cordless Cleaner | INSTRUCTION MANUAL | 10 |
| SV | Sladdlös dammsugare | BRUKSANVISNING | 19 |
| NO | Batteridrevet støvsuger | BRUKSANVISNING | 28 |
| FI | Akkukäyttöinen pölynimuri | KÄYTTÖOHJE | 37 |
| DA | Akku støvsuger | BRUGSANVISNING | 46 |
| LV | Bezvadu tīrītājs | LIETOŠANAS INSTRUKCIJA | 55 |
| LT | Belaidis siurblys | NAUDOJIMO INSTRUKCIJA | 64 |
| ET | Juhtmeta käsitolmuimeja | KASUTUSJUHEND | 73 |
| RU | Аккумуляторный пылесос | РУКОВОДСТВО ПО ЭКСПЛУАТАЦИИ | 82 |

CL003G



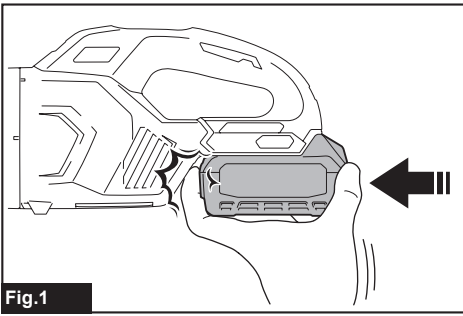


Fig.1

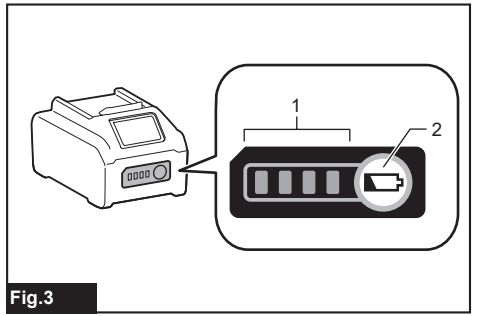


Fig.3

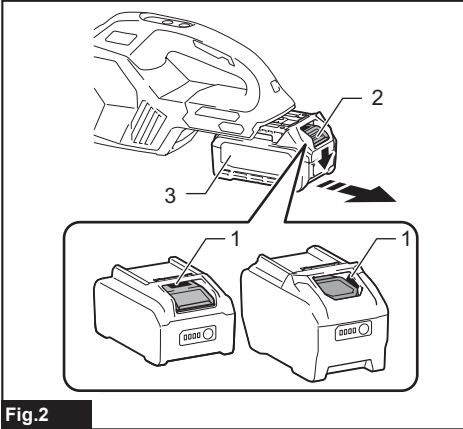


Fig.2

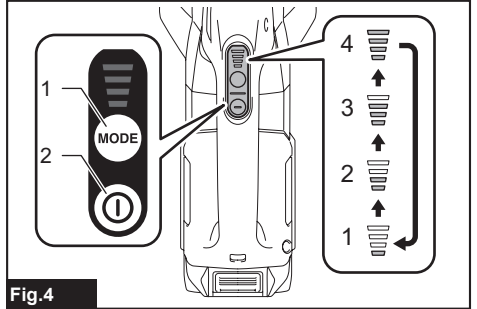


Fig.4

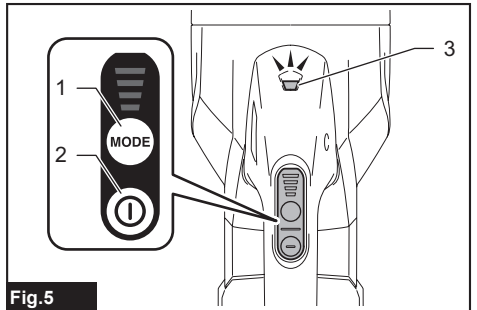


Fig.5

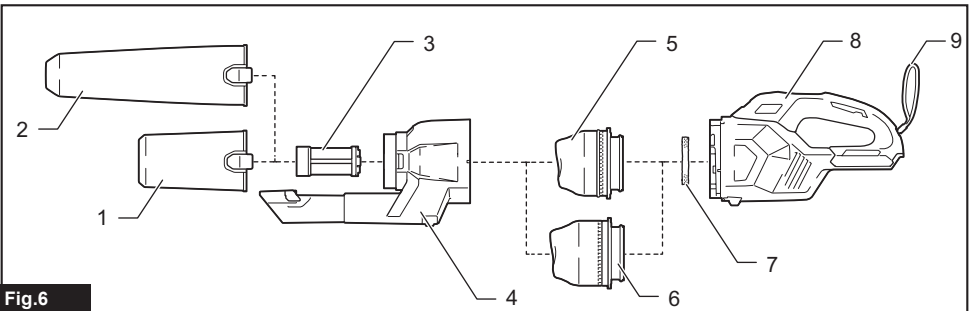
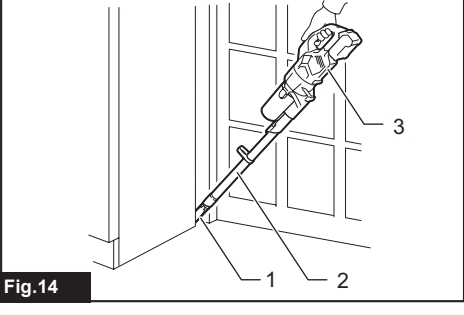
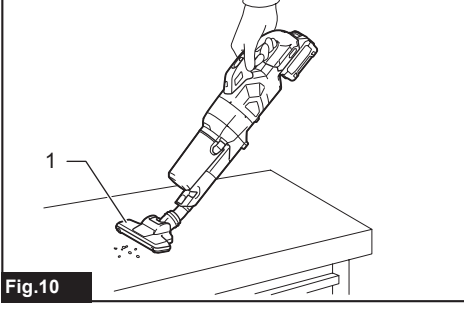
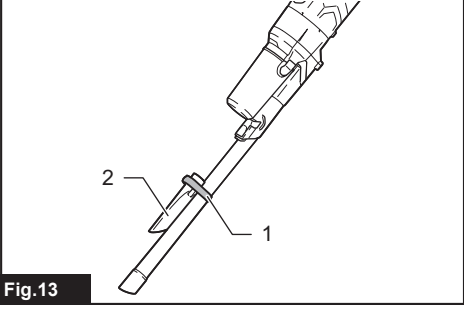
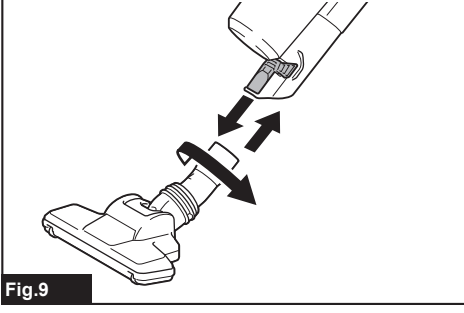
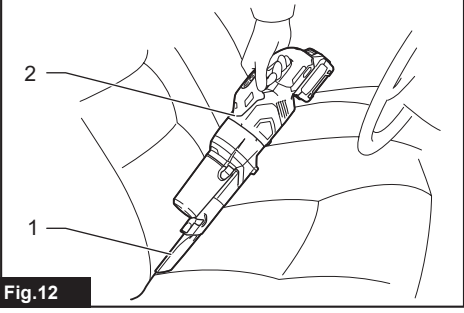
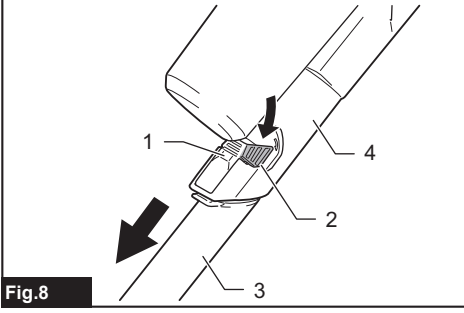
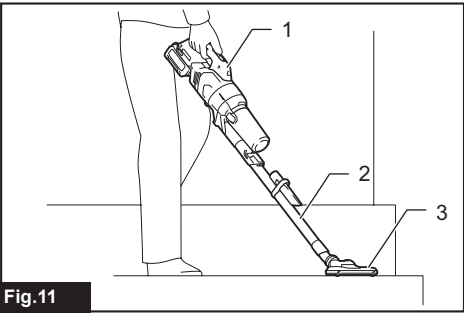
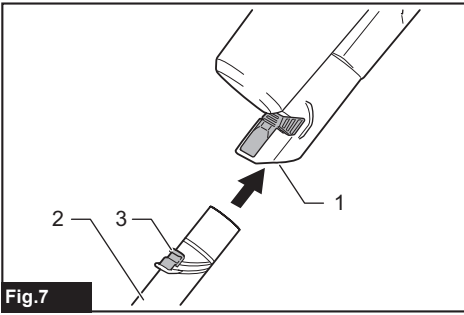
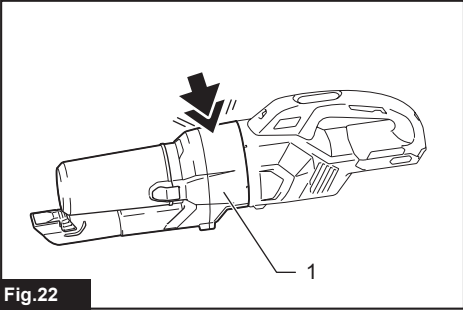
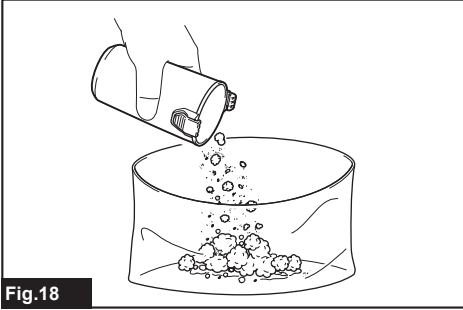
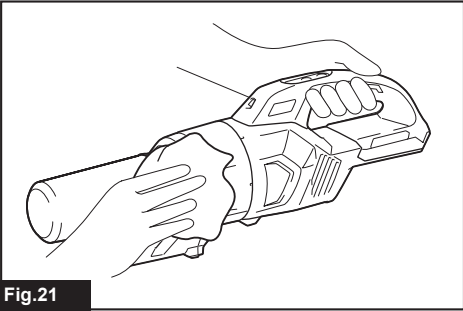
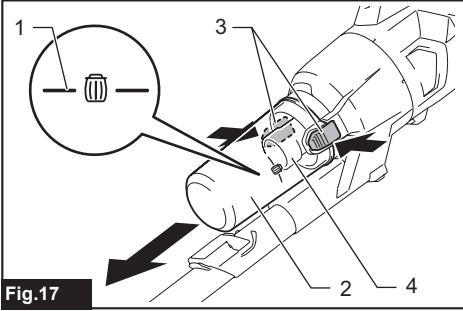
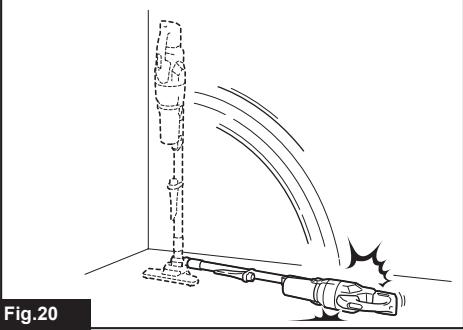
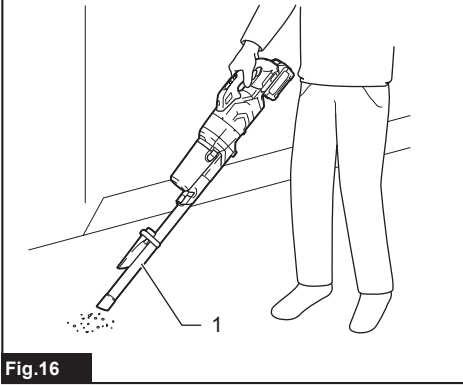
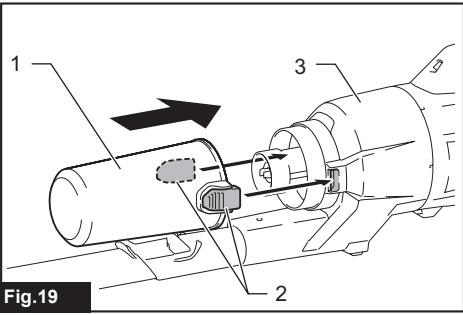
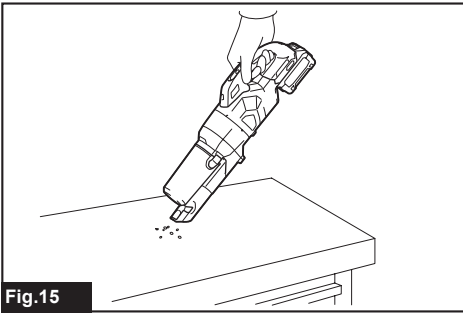


Fig.6





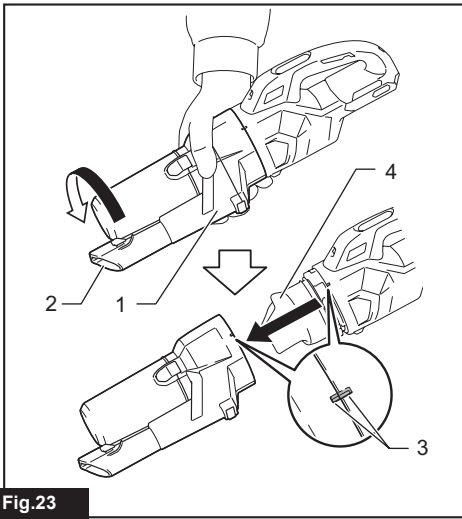


Fig.23

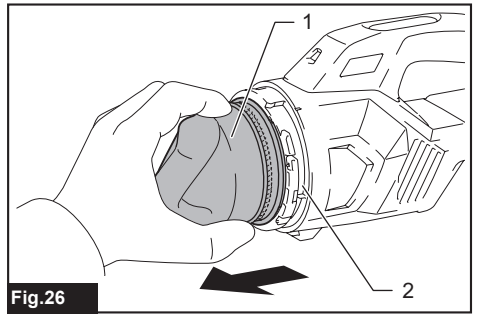


Fig.26



Fig.27

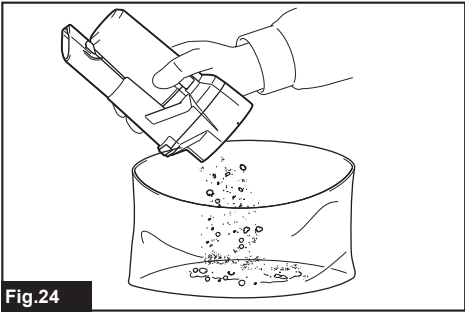


Fig.24

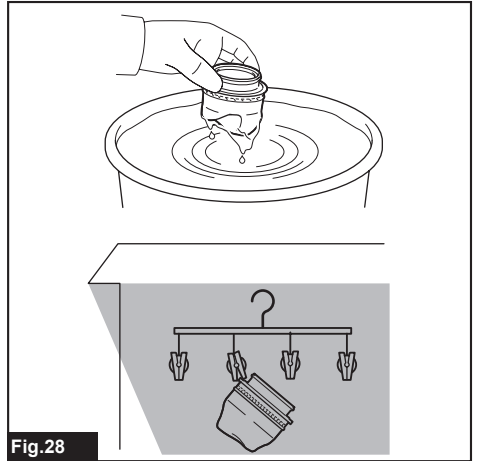


Fig.28

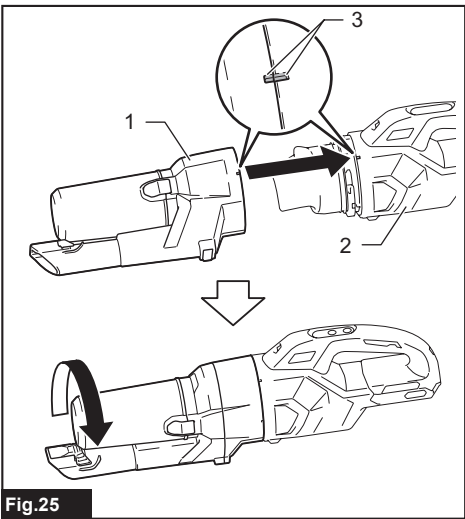


Fig.25

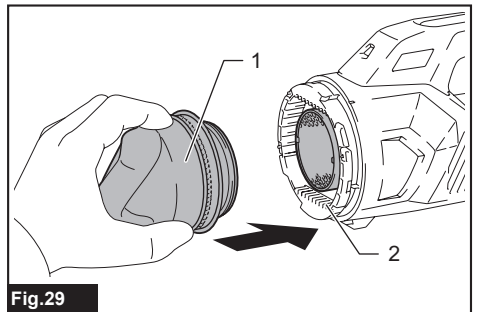


Fig.29

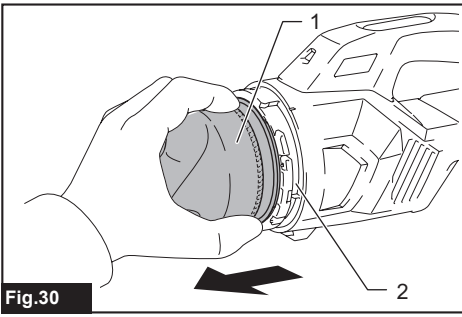


Fig.30

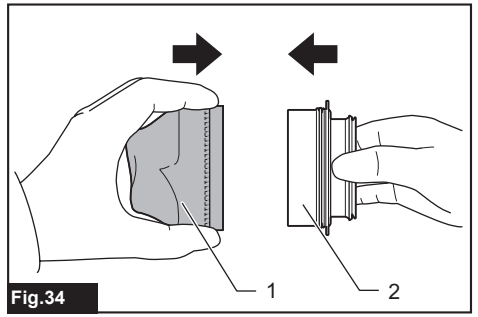


Fig.34

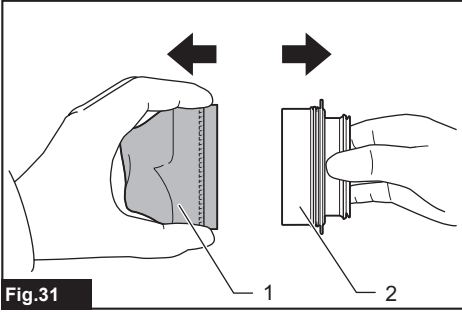


Fig.31

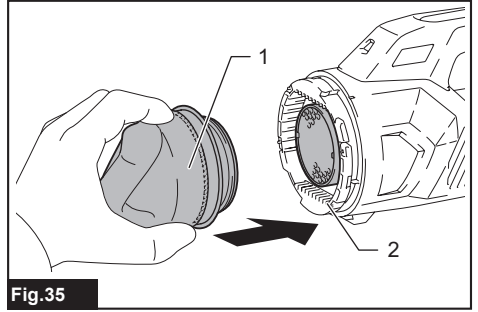


Fig.35

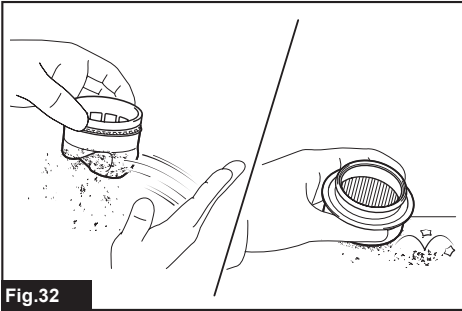


Fig.32

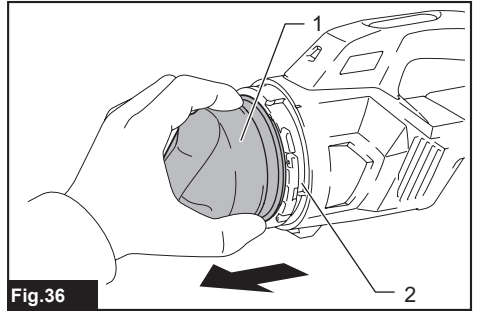


Fig.36

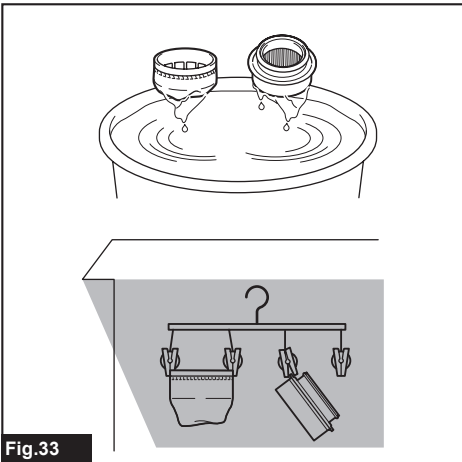


Fig.33

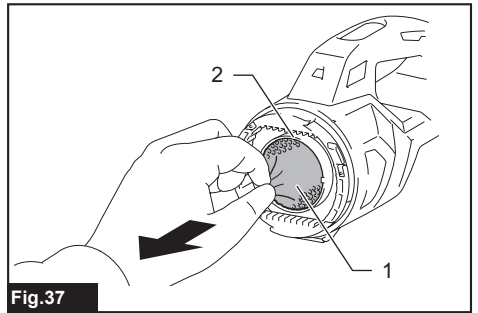
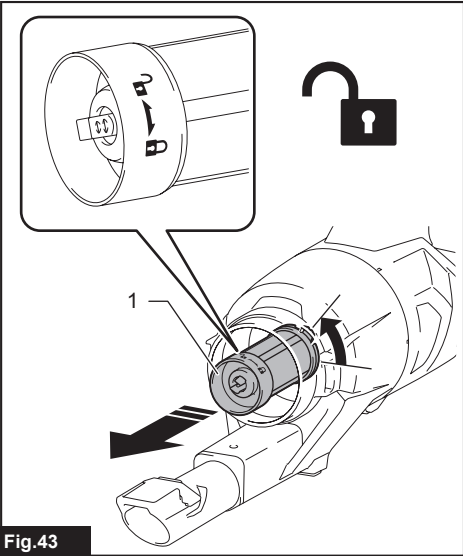
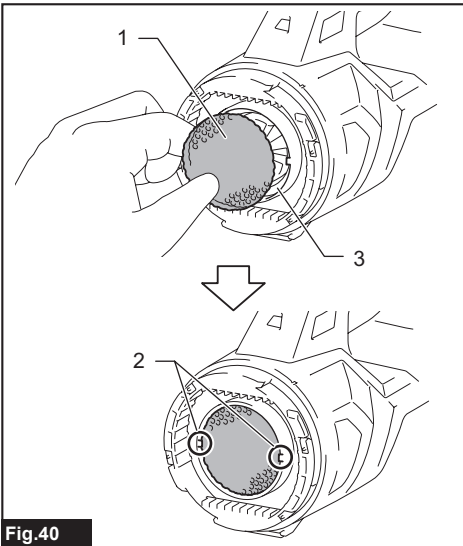
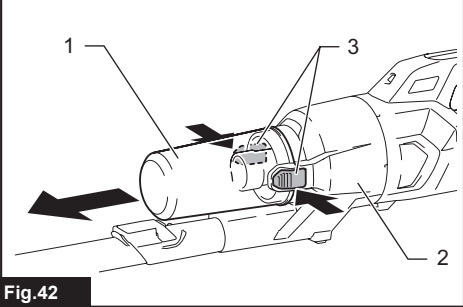
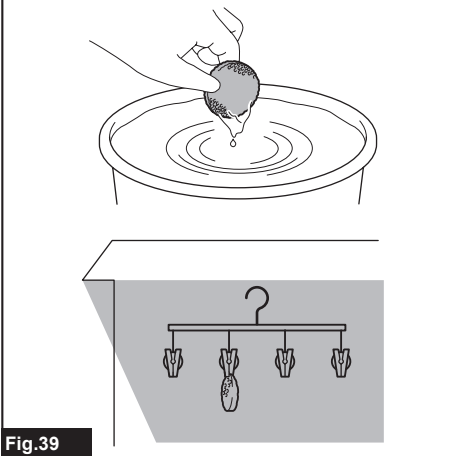
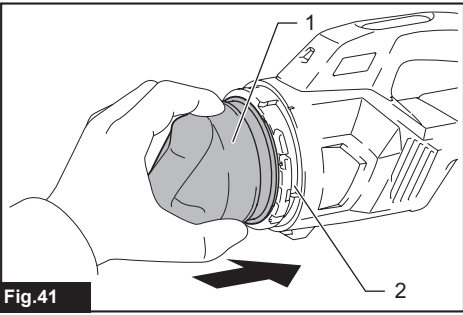
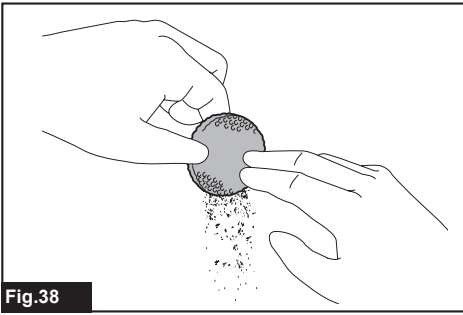
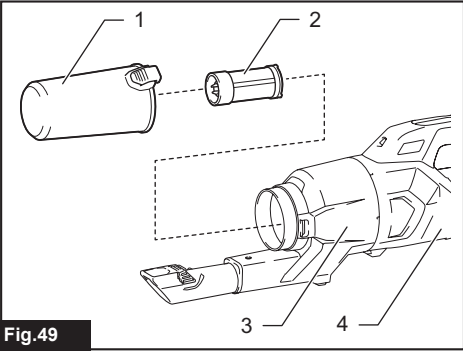
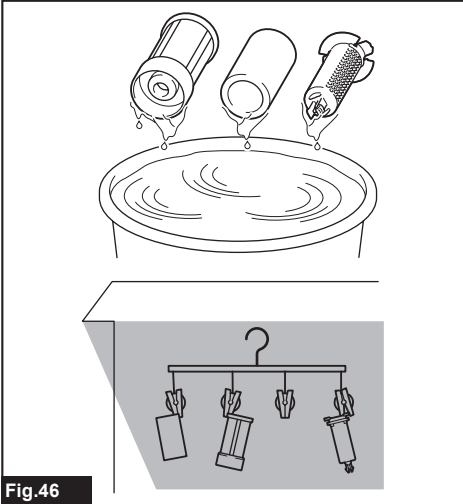
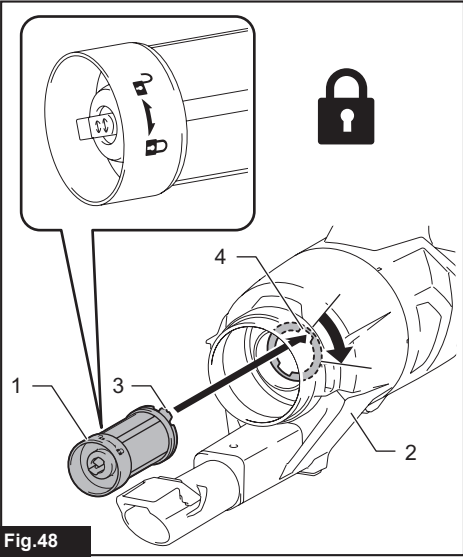
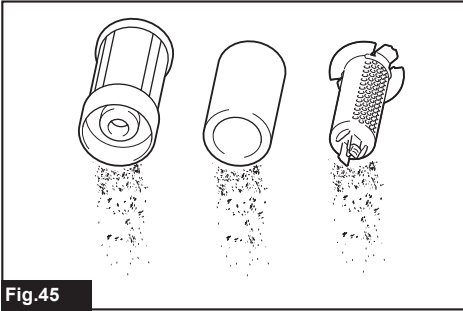
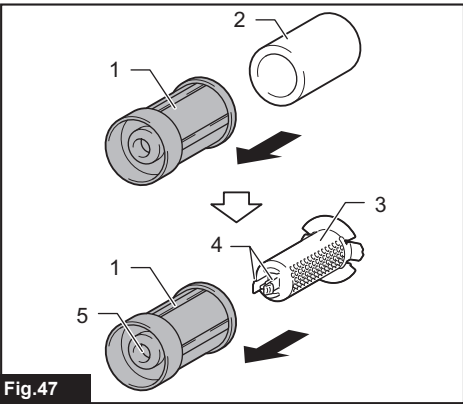
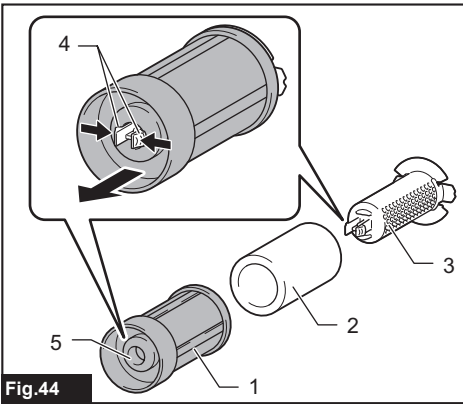


Fig.37





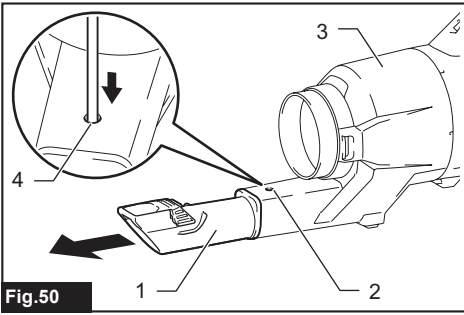


Fig.50



Fig.51

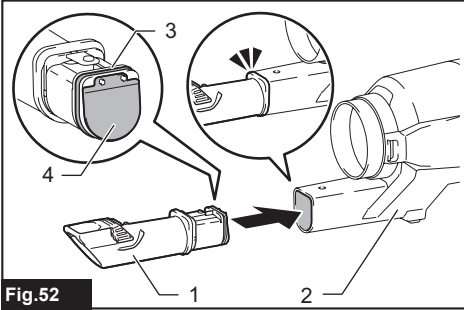


Fig.52

WARNING

- This appliance can be used by children aged from 8 years and above and persons with reduced physical, sensory or mental capabilities or lack of experience and knowledge if they have been given supervision or instruction concerning use of the appliance in a safe way and understand the hazards involved.
- Children shall not play with the appliance. Cleaning and user maintenance shall not be made by children without supervision.
- See the chapter "SPECIFICATIONS" for the type reference of the battery.
- See the section "Installing or removing battery cartridge" for how to remove or install the battery.
- When disposing the battery cartridge, remove it from the tool and dispose of it in a safe place. Follow your local regulations relating to disposal of battery.
- If the tool is not used for a long period of time, the battery must be removed from the tool.
- Do not short the battery cartridge.
- See the chapter "MAINTENANCE" for the appropriate details of precautions during user maintenance.

SPECIFICATIONS

| Model: | | CL003G |
|--|-----------------------|------------------------------------|
| Capacity | | 250 mL / 400 mL (country specific) |
| Continuous use (with battery BL4025) | 1 (Quiet mode) | Approx. 80 min |
| | 2 (Normal speed mode) | Approx. 40 min |
| | 3 (High speed mode) | Approx. 25 min |
| | 4 (Max speed mode) | Approx. 16 min |
| Overall length (with pipe, nozzle, and battery BL4025) | | 1,106 mm |
| Rated voltage | | D.C. 36 V - 40 V max |
| Net weight | | 1.9 - 2.6 kg |

- Due to our continuing program of research and development, the specifications herein are subject to change without notice.
- Specifications may differ from country to country.
- The weight does not include accessories but battery cartridge(s). The lightest and heaviest combination weight of the appliance and battery cartridge(s) are shown in the table.

Applicable battery cartridge and charger

| | |
|-------------------|--|
| Battery cartridge | BL4020* / BL4025* / BL4040* / BL4050F * : Recommended battery |
| Charger | DC40RA / DC40RB / DC40RC |

- Some of the battery cartridges and chargers listed above may not be available depending on your region of residence.

⚠ WARNING: Only use the battery cartridges and chargers listed above. Use of any other battery cartridges and chargers may cause injury and/or fire.

Symbols

The followings show the symbols which may be used for the equipment. Be sure that you understand their meaning before use.



Read the instruction manual.



A representative battery applicable to this product.



Ni-MH
Li-Ion

Only for EU countries

Due to the presence of hazardous components in the equipment, waste electrical and electronic equipment, accumulators and batteries may have a negative impact on the environment and human health. Do not dispose of electrical and electronic appliances or batteries with household waste!

In accordance with the European Directive on waste electrical and electronic equipment and on accumulators and batteries and waste accumulators and batteries, as well as their adaptation to national law, waste electrical equipment, batteries and accumulators should be stored separately and delivered to a separate collection point for municipal waste, operating in accordance with the regulations on environmental protection.

This is indicated by the symbol of the crossed-out wheeled bin placed on the equipment.

Intended use

The tool is intended for collecting dry dust.

SAFETY WARNINGS

Cordless cleaner safety warnings

⚠ WARNING: IMPORTANT! READ CAREFULLY all safety warnings and all instructions BEFORE USE. Failure to follow the warnings and instructions may result in electric shock, fire and/or serious injury.

1. Do not expose to rain. Store indoors.
2. Do not allow to be used as a toy. Close attention is necessary when used by or near children.
3. Use only as described in this manual. Use only manufacturer's recommended attachments.
4. Do not use with damaged battery. If appliance is not working as it should, has been dropped, damaged, left outdoors, or dropped into water, return it to a service center.
5. Do not handle appliance with wet hands.
6. Do not put any object into openings. Do not use with any opening blocked; keep free of dust, lint, hair, and anything that may reduce air flow.
7. Keep hair, loose clothing, fingers, and all parts of body away from openings and moving parts.

8. Turn off all controls before removing the battery.
9. Use extra care when cleaning on stairs.
10. Do not use to pick up flammable or combustible liquids, such as gasoline, or use in areas where they may be present.
11. Use only the charger supplied by the manufacturer to recharge.
12. Do not pick up anything that is burning or smoking, such as cigarettes, matches, or hot ashes.
13. Do not use without dust bag and/or filters in place.
14. Do not charge the battery outdoors.
15. Recharge only with the charger specified by the manufacturer. A charger that is suitable for one type of battery pack may create a risk of fire when used with another battery pack.
16. Use appliances only with specifically designated battery packs. Use of any other battery packs may create a risk of injury and fire.
17. When (the) battery pack is not in use, keep it away from other metal objects, like paper clips, coins, keys, nails, screws or other small metal objects, that can make a connection from one terminal to another.
18. Under abusive conditions, liquid may be ejected from the battery; avoid contact. If contact accidentally occurs, flush with water.
19. Do not use a battery pack or appliance that is damaged or modified. Damaged or modified batteries may exhibit unpredictable behaviour resulting in fire, explosion or risk of injury.
20. Do not expose a battery pack or appliance to fire or excessive temperature. Exposure to fire or temperature above 130 °C may cause explosion.
21. Follow all charging instructions and do not charge the battery pack or appliance outside the temperature range specified in the instructions. Charging improperly or at temperatures outside the specified range may damage the battery and increase the risk of fire.

SAVE THESE INSTRUCTIONS.

ADDITIONAL SAFETY RULES

This appliance is intended for household use.

1. Read this instruction manual and the charger instruction manual carefully before use.
2. Do not pick up the following materials:
 - Hot materials such as lit cigarettes or spark/metal dust generated by grinding/cutting metal
 - Flammable materials such as gasoline, thinner, benzene, kerosene or paint
 - Explosive materials like nitroglycerin
 - Ignitable materials such as Aluminum, zinc, magnesium, titanium, phosphorus or celluloid
 - Wet dirt, water, oil or the like
 - Hard pieces with sharp edges, such as wood chips, metals, stones, glasses, nails, pins or razors
 - Powder to clot such as cement or toner
 - Conductive dust such as metal or carbon
 - Fine particle like concrete dust

- Such action may cause fire, injury and/or property damage.
- 3. Stop operation immediately if you notice anything abnormal.
- 4. If you drop or strike the cleaner, check it carefully for cracks or damage before operation.
- 5. Do not bring close to stoves or other heat sources.
- 6. Do not block the intake hole or vent holes.

SAVE THESE INSTRUCTIONS.

Important safety instructions for battery cartridge

1. Before using battery cartridge, read all instructions and cautionary markings on (1) battery charger, (2) battery, and (3) product using battery.
2. Do not disassemble or tamper with the battery cartridge. It may result in a fire, excessive heat, or explosion.
3. If operating time has become excessively shorter, stop operating immediately. It may result in a risk of overheating, possible burns and even an explosion.
4. If electrolyte gets into your eyes, rinse them out with clear water and seek medical attention right away. It may result in loss of your eyesight.
5. Do not short the battery cartridge:
 - (1) Do not touch the terminals with any conductive material.
 - (2) Avoid storing battery cartridge in a container with other metal objects such as nails, coins, etc.
 - (3) Do not expose battery cartridge to water or rain.

A battery short can cause a large current flow, overheating, possible burns and even a breakdown.

6. Do not store and use the tool and battery cartridge in locations where the temperature may reach or exceed 50 °C (122 °F).
7. Do not incinerate the battery cartridge even if it is severely damaged or is completely worn out. The battery cartridge can explode in a fire.
8. Do not nail, cut, crush, throw, drop the battery cartridge, or hit against a hard object to the battery cartridge. Such conduct may result in a fire, excessive heat, or explosion.
9. Do not use a damaged battery.
10. The contained lithium-ion batteries are subject to the Dangerous Goods Legislation requirements.

For commercial transports e.g. by third parties, forwarding agents, special requirement on packaging and labeling must be observed.

For preparation of the item being shipped, consulting an expert for hazardous material is required. Please also observe possibly more detailed national regulations.

Tape or mask off open contacts and pack up the battery in such a manner that it cannot move around in the packaging.

11. When disposing the battery cartridge, remove it from the tool and dispose of it in a safe place. Follow your local regulations relating to disposal of battery.
12. Use the batteries only with the products specified by Makita. Installing the batteries to non-compliant products may result in a fire, excessive heat, explosion, or leak of electrolyte.
13. If the tool is not used for a long period of time, the battery must be removed from the tool.
14. During and after use, the battery cartridge may take on heat which can cause burns or low temperature burns. Pay attention to the handling of hot battery cartridges.
15. Do not touch the terminal of the tool immediately after use as it may get hot enough to cause burns.
16. Do not allow chips, dust, or soil stuck into the terminals, holes, and grooves of the battery cartridge. It may cause heating, catching fire, burst and malfunction of the tool or battery cartridge, resulting in burns or personal injury.
17. Unless the tool supports the use near high-voltage electrical power lines, do not use the battery cartridge near a high-voltage electrical power lines. It may result in a malfunction or breakdown of the tool or battery cartridge.
18. Keep the battery away from children.

SAVE THESE INSTRUCTIONS.

⚠ CAUTION: Only use genuine Makita batteries. Use of non-genuine Makita batteries, or batteries that have been altered, may result in the battery bursting causing fires, personal injury and damage. It will also void the Makita warranty for the Makita tool and charger.

Tips for maintaining maximum battery life

1. Charge the battery cartridge before completely discharged. Always stop tool operation and charge the battery cartridge when you notice less tool power.
2. Never recharge a fully charged battery cartridge. Overcharging shortens the battery service life.
3. Charge the battery cartridge with room temperature at 10 °C - 40 °C (50 °F - 104 °F). Let a hot battery cartridge cool down before charging it.
4. When not using the battery cartridge, remove it from the tool or the charger.
5. Charge the battery cartridge if you do not use it for a long period (more than six months).

FUNCTIONAL DESCRIPTION

CAUTION: Always be sure that the tool is switched off and the battery cartridge is removed before adjusting or checking function on the tool.

CAUTION: Take care not to trap finger(s) between cleaner and battery as shown in diagram when loading battery. Trapping finger(s) may cause injury.

► Fig.1

Installing or removing battery cartridge

CAUTION: Always switch off the tool before installing or removing of the battery cartridge.

CAUTION: Hold the tool and the battery cartridge firmly when installing or removing battery cartridge. Failure to hold the tool and the battery cartridge firmly may cause them to slip off your hands and result in damage to the tool and battery cartridge and a personal injury.

► Fig.2: 1. Red indicator 2. Button 3. Battery cartridge

To remove the battery cartridge, slide it from the tool while sliding the button on the front of the cartridge.

To install the battery cartridge, align the tongue on the battery cartridge with the groove in the housing and slip it into place. Insert it all the way until it locks in place with a little click. If you can see the red indicator as shown in the figure, it is not locked completely.

CAUTION: Always install the battery cartridge fully until the red indicator cannot be seen. If not, it may accidentally fall out of the tool, causing injury to you or someone around you.

CAUTION: Do not install the battery cartridge forcibly. If the cartridge does not slide in easily, it is not being inserted correctly.

Battery protection system

The tool is equipped with a tool/battery protection system. This system automatically cuts off power to the motor to extend tool and battery life. The tool will automatically stop during operation if the tool or battery is placed under one of the following conditions.

Overloaded:

The tool/battery is operated in a manner that causes it to draw an abnormally high current. In this situation, turn the tool off and stop the application that caused the tool to become overloaded. Then turn the tool on to restart.

If the tool does not start, the tool/battery is overheated. In this situation, let the tool/battery cool before turning the tool on again.

Low battery voltage:

The remaining battery capacity is too low and the tool will not operate. In this situation, remove and recharge the battery.

Protections against other causes:

Protection system is also designed for other causes that could damage the tool and allows the tool to stop automatically. Take all the following steps to clear the causes, when the tool has been brought to a temporary halt or stop in operation.

1. Turn the tool off, and then turn it on again to restart.
2. Charge the battery(ies) or replace it/them with recharged battery(ies).
3. Let the tool and battery(ies) cool down.

If no improvement can be found by restoring protection system, then contact your local Makita Service Center.

Indicating the remaining battery capacity

Press the check button on the battery cartridge to indicate the remaining battery capacity. The indicator lamps light up for a few seconds.

► Fig.3: 1. Indicator lamps 2. Check button

| Indicator lamps | | | Remaining capacity |
|-----------------|-----|----------|-------------------------------------|
| Lighted | Off | Blinking | |
| ■ ■ ■ ■ | | | 75% to 100% |
| ■ ■ ■ □ | | | 50% to 75% |
| ■ ■ □ □ | | | 25% to 50% |
| ■ □ □ □ | | | 0% to 25% |
| ▣ □ □ □ | | | Charge the battery. |
| ■ ■ □ □ | | | The battery may have malfunctioned. |
| □ □ ■ ■ | | | |

NOTE: Depending on the conditions of use and the ambient temperature, the indication may differ slightly from the actual capacity.

NOTE: The first (far left) indicator lamp will blink when the battery protection system works.

Switch action

► Fig.4: 1. Suction power change button 2. ON/OFF button

To start the cleaner, simply push the ON/OFF button. To switch off, push the ON/OFF button again.

You can change the suction power of the cleaner in four steps by pushing the suction power change button. Each push on this button repeats the Quiet/Normal/High/Max mode in a cycle.

| Level | Indication | Mode |
|-------|------------|-------------------|
| 1 | ☰ | Quiet mode |
| 2 | ☷ | Normal speed mode |
| 3 | ☶ | High speed mode |
| 4 | ☵ | Max speed mode |

NOTE: You can change the suction power before turning on the cleaner.

NOTE: The cleaner starts the operation with the same suction power as the last operation.

Lighting up the lamp

CAUTION: Do not look in the light or see the source of light directly.

To turn on the lamp, push the suction power change button. The lamp goes off in approximately 10 seconds. While the cleaner is running, the lamp turns on. The lamp goes out approximately 10 seconds after stopping operation.

NOTE: When the remaining battery capacity gets low, the lamp starts blinking. The timing, at which the lamp starts blinking depends on the temperature at work place and the battery cartridge conditions.

► **Fig.5:** 1. Suction power change button 2. ON/OFF button 3. Lamp

PARTS DESCRIPTION

Country specific

► Fig.6

| | | | | | | | |
|---|---|---|--|---|--------------|---|--------------|
| 1 | 250 mL dust case (Optional accessory) | 2 | 400 mL dust case (Optional accessory) | 3 | Mesh filter | 4 | Cyclone body |
| 5 | High performance filter (Filter frame in gray color) (Optional accessory) | 6 | HEPA filter (Filter frame in white color) (Optional accessory) | 7 | Sponge sheet | 8 | Cleaner body |
| 9 | Hand strap (Country specific) | - | - | - | - | - | - |

ASSEMBLY

CAUTION: Always be sure that the tool is switched off and the battery cartridge is removed before carrying out any work on the tool.

NOTICE: Make sure all the attachments and components are secured in place properly before use.

Installing and removing cleaner attachments

CAUTION: After installing attachments, check if they are securely installed. If the attachments are installed imperfectly, they may come off and cause personal injury.

CAUTION: Be careful not to hit your hand on the wall etc. when removing the attachments.

When using attachment with lock function

To install attachment, insert it to the suction inlet of the cleaner until it clicks. Make sure that the attachment is locked.

► **Fig.7:** 1. Suction inlet 2. Attachment with lock function 3. Hook

NOTICE: When installing the attachment with lock function, be sure to align the release button on the cleaner with the hook on the attachment. If they are not aligned, the attachment will not be locked and may come off from the cleaner.

To remove attachment, pull it off the cleaner while pressing and holding the arms of the release button.

► **Fig.8:** 1. Release button 2. Arm of release button 3. Attachment with lock function 4. Suction inlet

When using attachment without lock function

NOTICE: To install attachment without lock function, insert it into the suction inlet of the cleaner by twisting it as shown in the figure. To detach attachment, release it from the cleaner by twisting it as shown in the figure. Avoid twisting the attachment in the direction opposite to the arrow in the figure as it may loosen the cyclone unit.

► **Fig.9**

OPERATION

CAUTION: Do not move your face close to the air vent when operating the cleaner. If foreign objects are blown into eyes, it may result in personal injury.

NOTICE: Avoid using the cleaner in a horizontal or upward facing position. It may otherwise cause the mesh filter to become clogged.

NOTICE: Always use the cleaner with filters installed. Using the cleaner without filters may result in a motor malfunction.

NOTICE: Empty the dust case in the cyclone unit when dust has accumulated. Continued use will result in weakened suction force.

The cyclone unit helps reduce the amount of dust that enters into the cleaner, enhancing the suction performance with simple and easy dust disposing.

Cleaning (Suction)

Nozzle

With 250 mL dust case only

Attach the nozzle to clean off tables, desks, furniture, etc. The nozzle slips on easily.

► Fig.10: 1. Nozzle

Nozzle + Extension wand (Straight pipe)

The extension wand fits in between the nozzle and the cleaner itself. This arrangement is convenient for cleaning a floor in a standing position.

► Fig.11: 1. Cleaner body 2. Extension wand 3. Nozzle

Corner nozzle

Fit on the corner nozzle for cleaning corners and crevices of a car or furniture.

► Fig.12: 1. Corner nozzle 2. Cleaner body

You can store the corner nozzle in the nozzle holder.

► Fig.13: 1. Nozzle holder 2. Corner nozzle

CAUTION: Be careful not to trap finger(s) between the corner nozzle and the nozzle holder. Trapping finger(s) may cause injury.

Corner nozzle + Extension wand (Straight pipe)

In tight quarters where the cleaner itself cannot squeeze in, or in high places hard to reach, use this arrangement.

► Fig.14: 1. Corner nozzle 2. Extension wand 3. Cleaner body

Cleaning without nozzle

With 250 mL dust case only

You can pick up powder and dust without nozzle.

► Fig.15

For picking up dust on a floor in a standing position, it is convenient to attach the extension wand (straight pipe) to the cleaner.

► Fig.16: 1. Extension wand

Disposing of dust

CAUTION: Empty the dust case before it becomes too full, or the suction force weakens.

CAUTION: Be careful not to trap finger(s) between the dust case and cyclone body when reassembling.

Dispose of accumulated dust as follows before it exceeds the dust disposal line.

1. Point the cleaner head downwards, hold the dust case firmly, and then pull it apart from the cyclone body while pressing and holding the release buttons on both sides of the dust case.

► Fig.17: 1. Dust disposal line 2. Dust case
3. Release buttons 4. Mesh filter

2. Empty the dust case and clean the adhered dust off the mesh filter.

► Fig.18

3. Place the dust case back onto the cyclone body to secure it in place with clicks.

► Fig.19: 1. Dust case 2. Release buttons 3. Cyclone body

CAUTION: The dust may fly up when disposed out of the dust case. Be careful not to let the dust get into your eyes.

NOTICE: When the dust case becomes dirty, remove and wash it with water. Dry the dust case thoroughly before reassembly and use.

NOTICE: Make sure all the attachments and components are secured in place properly before use.

NOTICE: If the suction force does not recover even after disposing of the dust and cleaning the mesh filter, check whether dust has accumulated inside the cyclone body or clogging has occurred.

MAINTENANCE

CAUTION: Always be sure that the tool is switched off and the battery cartridge is removed before attempting to perform inspection or maintenance.

NOTICE: Never use gasoline, benzine, thinner, alcohol or the like. Discoloration, deformation or cracks may result.

To maintain product SAFETY and RELIABILITY, repairs, any other maintenance or adjustment should be performed by Makita Authorized or Factory Service Centers, always using Makita replacement parts.

After use

CAUTION: Putting the cleaner against the wall without any other support may cause the cleaner to fall down, resulting in personal injury or damage to the cleaner.

► Fig.20

Regular maintenance

NOTICE: Clean the filters in the cyclone unit when they become clogged. Continued use in the clogged condition may result in heating or motor malfunction.

NOTICE: Do not blow dust sticking on the cleaner and filters by air duster. It brings dust into the housing and causes failure.

Routine maintenance is required to restore normal operating conditions.

Cleaner body

Wipe off the outside (cleaner body) of the cleaner using a cloth dampened in soapy water, and clean out the suction openings.

► Fig.21

Cyclone unit and filters

NOTICE: Dust off and clean out inside the cyclone unit and filters, when suction performance becomes less effective regardless of the amount of dust collected in the dust case.

NOTICE: After washing filters, dry them thoroughly before use. Insufficiently dried filters may cause poor suction and shorten the service life of the motor.

NOTICE: After cleaning filters and sponge sheet, be sure to re-install them before use. If you use the cleaner without filters and sponge sheet, dust comes into the motor housing and causes malfunction.

Cyclone unit

1. Tap the cyclone unit several times with your hand to remove dust adhering to the inner surface of the cyclone unit and filter.

► Fig.22: 1. Cyclone unit

2. With the suction inlet pointing downwards, turn the cyclone unit as shown in the figure aligning the pointer on the cyclone unit with that on the cleaner body to disengage the lock. Then detach the cyclone unit from the cleaner body slowly and straightly.

► Fig.23: 1. Cyclone unit 2. Suction inlet 3. Pointers 4. Filter

NOTE: Dust may fly out when the cyclone unit is disassembled. It is recommended to place a garbage bag underneath the cyclone unit.

3. Dust off inside the cyclone unit and filter.

► Fig.24

4. Place the cyclone unit back onto the cleaner body, aligning the pointer on the cyclone unit with that on the cleaner body. Then turn the cyclone unit as shown in the figure until it is secured in place.

► Fig.25: 1. Cyclone unit 2. Cleaner body 3. Pointers

High performance filter

Optional accessory

1. Disassemble the cyclone unit from the cleaner body.

2. Hold the mounting end of high performance filter and pull it apart from the cleaner body.

► Fig.26: 1. High performance filter 2. Cleaner body

3. Wipe and shake dust off the high performance filter by hand.

► Fig.27

4. Wash the high performance filter in soapy water when it is clogged with dust and dirt. Dry it out thoroughly in the shade before use.

► Fig.28

NOTE: Avoid fastening the attachment end (rubber sealing ring) of high performance filter when hanging it up for drying.

5. Hold the mounting end of high performance filter and squeeze it back into the cleaner body.

► Fig.29: 1. High performance filter 2. Cleaner body

HEPA filter

Optional accessory

NOTICE: Do not rub or scratch the HEPA filter with hard objects such as a brush and a paddle.

1. Disassemble the cyclone unit from the cleaner body.

2. Hold the mounting end of HEPA filter (covered with high performance prefilter) and pull it apart from the cleaner body.

► Fig.30: 1. HEPA filter (covered with high performance prefilter) 2. Cleaner body

3. Disassemble the high performance prefilter from the HEPA filter by hand twisting.

► Fig.31: 1. High performance prefilter 2. HEPA filter

4. Wipe and shake dust off the high performance prefilter and HEPA filter by hand.

► Fig.32

5. Wash the high performance prefilter and HEPA filter in soapy water. Rinse and dry them thoroughly in the shade before use.

► Fig.33

NOTE: Avoid fastening the attachment end (rubber sealing ring) of HEPA filter when hanging it up for drying.

6. Attach the high performance prefilter onto the HEPA filter.

► Fig.34: 1. High performance prefilter 2. HEPA filter

7. Hold the mounting end of HEPA filter (covered with high performance prefilter) and squeeze it back into the cleaner body.

► Fig.35: 1. HEPA filter (covered with the high performance prefilter) 2. Cleaner body

Sponge sheet

1. Disassemble the cyclone unit from the cleaner body.
2. Hold the mounting end of filter and pull it apart from the cleaner body.
▶ **Fig.36:** 1. Filter 2. Cleaner body
3. Pull the sponge sheet off from the suction opening.
▶ **Fig.37:** 1. Sponge sheet 2. Suction opening
4. Wipe and shake dust off the sponge sheet by hand.
▶ **Fig.38**
5. Wash the sponge sheet in soapy water when it is clogged with dust and dirt. Dry it out thoroughly in the shade before use.
▶ **Fig.39**
6. Place the sponge sheet back in the original position. Make sure that the left and right edges of the sponge sheet are secured with stoppers and no gap between the sponge sheet and suction opening.
▶ **Fig.40:** 1. Sponge sheet 2. Stopper 3. Suction opening
7. Hold the mounting end of filter and squeeze it back into the cleaner body.
▶ **Fig.41:** 1. Filter 2. Cleaner body

Condition-based maintenance

NOTICE: Clean the mesh filter in the cyclone unit when they become clogged. Continued use in the clogged condition may result in heating or motor malfunction.

Deep and spot cleaning needs to be carried out according to your tool performance.

Mesh filter

Clean up the mesh filter placed in the cyclone unit when no suggested improvement on suction performance has been found after completing regular maintenance.

1. Hold the dust case firmly and pull it apart from the cyclone body while pressing and holding the release buttons on both sides of the dust case.
▶ **Fig.42:** 1. Dust case 2. Cyclone body 3. Release buttons
2. Turn the mesh filter as shown in the figure to disengage the lock. Then detach it from the cyclone body.
▶ **Fig.43:** 1. Mesh filter
3. Disassemble the mesh filter into three components: prefilter, tubular sponge filter and mesh pipe.
 - i Squeeze the guide stoppers on top of the mesh pipe together.
 - ii Pass the guide stoppers down through the guide hole on top of the prefilter.
 - iii Pull the the prefilter along the tubular sponge filter and mesh pipe.
 - iv Remove the tubular sponge filter from the mesh pipe.
▶ **Fig.44:** 1. Prefilter 2. Tubular sponge filter 3. Mesh pipe 4. Guide stoppers 5. Guide hole

4. Wipe and shake dust off the filters and mesh pipe by hand.
▶ **Fig.45**
5. Wash the filters and mesh pipe in soapy water when they are clogged with dust and dirt. Dry them out thoroughly in the shade before use.
▶ **Fig.46**
6. Reassemble the mesh filter.
 - i Insert the tubular sponge filter into the prefilter.
 - ii Insert the mesh pipe into the tubular sponge filter and prefilter, passing the guide stoppers on top of the mesh pipe through the guide hole on top of the prefilter.
 - iii Push the mesh pipe through the tubular sponge filter and prefilter until it lock in place with a click.
▶ **Fig.47:** 1. Prefilter 2. Tubular sponge filter 3. Mesh pipe 4. Guide stoppers 5. Guide hole

7. Attach the mesh filter back into the cyclone body aligning the hooks on the mesh filter with the ports on the suction outlet of the cyclone body. Turn the mesh filter as shown in the figure until the hooks are locked with a click. Make sure that the mesh filter is installed securely.
▶ **Fig.48:** 1. Mesh filter 2. Cyclone body 3. Hook 4. Port

Air channels in cyclone unit

Incoming foreign substance may block the air channels in the cyclone unit and laden air flows. Remove any obstacles in the air path if the suction performance is being affected remarkably.

1. Disassemble the cyclone unit into three components: dust case, mesh filter and cyclone body.
▶ **Fig.49:** 1. Dust case 2. Mesh filter 3. Cyclone body 4. Cleaner body
2. Press and hold the guide stopper on the inlet pipe down through the locking hole on the cyclone body using the hand tool with a point. Then detach the inlet pipe from the cyclone body.
▶ **Fig.50:** 1. Inlet pipe 2. Guide stopper 3. Cyclone body 4. Locking hole
3. Clean off any substance found in the air channels. Foreign substance is likely to get stuck around an incoming air port.
▶ **Fig.51:** 1. Suction inlet 2. Incoming air port
4. Insert the inlet pipe back in place until it is securely locked.
▶ **Fig.52:** 1. Inlet pipe 2. Cyclone body 3. O-ring 4. Flap valve

NOTICE: Be sure that the O-ring and flap valve are securely in place before reassembly. Suction performance can be affected if the cyclone unit is operated without the O-ring and flap valve in place.

5. Reassemble the cyclone unit, and attach it onto the cleaner body.

Troubleshooting

Before asking for repairs, check the following points.

| Symptom | Area to be investigated | Fixing method |
|---------------------|---|---|
| Weak suction power | Is dust case or inside cyclone unit full of dust? | Empty dust case or inside cyclone unit. |
| | Are filters clogged? | Dust down or wash high performance filter/HEPA filter/sponge sheet/mesh filter. |
| | Anything to block incoming air channels? | Clean any dust and objects out of air openings and channels. |
| | Is battery cartridge discharged? | Charge battery cartridge. |
| Not working | Is battery cartridge discharged? | Charge battery cartridge. |
| Noise and vibration | Are filters clogged? | Dust down or wash high performance filter/HEPA filter/sponge sheet/mesh filter. |
| | Anything to block openings or holes? | Clean any dust and objects out of nozzles, pipes and air openings. |
| | Is suction inlet of nozzle or pipe closed? | Uncover and open suction inlet of nozzle and pipe. |

⚠ CAUTION: Do not attempt to repair the cleaner by yourself.

OPTIONAL ACCESSORIES

⚠ CAUTION: These accessories or attachments are recommended for use with your Makita tool specified in this manual. The use of any other accessories or attachments might present a risk of injury to persons. Only use accessory or attachment for its stated purpose.

If you need any assistance for more details regarding these accessories, ask your local Makita Service Center.

- Extension wand (Straight pipe)
- Nozzle
- Nozzle for carpet
- Shelf brush
- Corner nozzle
- Round brush
- Flexible hose
- High performance filter
- HEPA filter
- Seat nozzle
- Crevice nozzle
- Tool bag
- Makita genuine battery and charger

NOTE: Some items in the list may be included in the tool package as standard accessories. They may differ from country to country.

VARNING

- Denna apparat kan användas av barn från 8 års ålder och äldre samt personer med nedsatt fysisk, sensorisk eller mental kapacitet eller brist på erfarenhet och kunskap förutsatt att de har fått handledning eller instruktioner om hur apparaten används på rätt sätt och förstår riskerna som det medför.
- Barn ska inte leka med apparaten. Rengöring och användarunderhåll ska inte utföras av barn utan tillsyn.
- Se batteriets typpreferens i kapitlet "SPECIFIKATIONER".
- Se i avsnittet "Montera eller demontera batterikassetten" hur du tar bort eller installerar batteriet.
- När batterikassetten ska kasseras måste den tas bort från verktyget och kasseras på ett säkert sätt. Följ lokala föreskrifter beträffande avfallshantering av batteriet.
- Om verktyget inte används under en lång tid måste batteriet tas bort från verktyget.
- Kortslut inte batterikassetten.
- Se uppgifter om lämpliga försiktighetsåtgärder vid användarunderhåll i kapitlet "UNDERHÅLL".

SPECIFIKATIONER

| Modell: | | CL003G |
|---|----------------------------|--------------------------------|
| Kapacitet | | 250 ml/400 ml (landsspecifikt) |
| Kontinuerlig användning (med batteri BL4025) | 1 (tyst läge) | ca 80 min |
| | 2 (normalt hastighetsläge) | ca 40 min |
| | 3 (höghastighetsläge) | ca 25 min |
| | 4 (maxhastighetsläge) | ca 16 min |
| Total längd (med rör, munstycke och batteri BL4025) | | 1 106 mm |
| Märkspänning | | 36 V - 40 V likström max |
| Nettovikt | | 1,9 - 2,6 kg |

- På grund av vårt pågående program för forskning och utveckling kan dessa specifikationer ändras utan föregående meddelande.
- Specifikationer kan variera mellan olika länder.
- Vikten inkluderar inte tillbehör men batterikasset(er). Den lättaste och tyngsta viktcombinationen för maskin och batterikasset(er) visas i tabellen.

Tillgänglig batterikasset och laddare

| | |
|---------------|--|
| Batterikasset | BL4020* / BL4025* / BL4040* / BL4050F * : Rekommenderat batteri |
| Laddare | DC40RA / DC40RB / DC40RC |

- Vissa av batterikassetterna och laddarna på listan ovan kanske inte finns tillgängliga i din region.

⚠ VARNING: Använd endast batterikassetter och laddare från listan ovan. Användning av andra batterikassetter och laddare kan orsaka personskada och/eller brand.

Symboler

Följande visar symbolerna som kan användas för utrustningen. Se till att du förstår innebörden innan användning.



Läs igenom bruksanvisningen.



Ett representativt batteri som kan användas med den här produkten.



Ni-MH
Li-Ion

Gäller endast inom EU
P.g.a. förekomsten av farliga komponenter i utrustningen kan avfall innehållande elektrisk och elektronisk utrustning, ackumulatörer och batterier ha negativ inverkan på miljön och människors hälsa. Kassera inte elektriska och elektroniska apparater eller batterier ihop med hushållsavfall!

I enlighet med EU-direktiven om avfall som utgörs av eller innehåller elektrisk och elektronisk utrustning och om batterier och ackumulatörer och förbrukade batterier och ackumulatörer, och dess införlivande i nationell lagstiftning, bör förbrukad elektrisk och elektronisk utrustning, batterier och ackumulatörer förvaras separat och transporteras till en särskild uppsamlingsplats för kommunalt avfall, som drivs i enlighet med regelverket för miljöskydd. Detta anges av symbolen med den överkryssade sotpunnan på hjul som sitter på utrustningen.

Avsedd användning

Det här redskapet är avsett för insamling av torrt damm.

SÄKERHETSVARNINGAR

Säkerhetsvarningar för sladdlös dammsugare

⚠ VARNING: VIKTIGT! LÄS NOGGRANT igenom alla säkerhetsvarningar och anvisningar FÖRE ANVÄNDNING. Underlåtenhet att följa varningar och instruktioner kan leda till elstöt, brand och/eller allvarliga personsador.

1. **Utsätt inte för regn. Förvara maskinen inomhus.**
2. **Tillåt inte att den används som en leksak. Stor uppmärksamhet är nödvändigt när den används i barns närhet.**
3. **Använd den endast enligt beskrivningen i bruksanvisningen. Använd endast tillverkarens rekommenderade tillsatser.**
4. **Använd inte maskinen med ett skadat batteri. Om maskinen inte arbetar som den ska, har tappats i marken, skadats, lämnats utomhus eller hamnat i vatten ska den skickas till servicecentret.**
5. **Var inte blöt om händerna när du handskar med maskinen.**

6. **Placera inte något föremål i öppningarna. Använd inte dammsugaren om någon av öppningarna är blockerade och håll den ren från damm, trådar, hår samt allt som kan minska luftflödet.**
7. **Håll hår, löst sittande kläder, fingrar och alla kroppsdelar bort från öppningar och rörliga delar.**
8. **Stäng av alla kontroller innan batteriet tas bort.**
9. **Var extra försiktig vid rengöring av trappor.**
10. **Använd inte maskinen för att plocka upp brännbara eller lättantändliga vätskor, såsom bensin, eller använd inte maskinen på platser där sådana vätskor förvaras.**
11. **Använd endast den laddare som tillverkaren har skickat med för att ladda batteriet.**
12. **Plocka inte upp något som brinner eller glöder, såsom cigaretter, tändstickor eller glödande aska.**
13. **Använd inte utan dammpåse och/eller filtren monterade på plats.**
14. **Ladda inte batteriet utomhus.**
15. **Ladda endast med den batteriladdare som angetts av tillverkaren.** En laddare som passar en viss typ av batterier kan skapa risk för brand när den används tillsammans med annat batteri.
16. **Använd endast apparater med specifikt angivna batteripaket.** Om andra batterier används kan risken för personskada och brand öka.
17. **När batteriet inte används bör det hållas borta från andra metallföremål så som gem, mynt, nycklar, spik, skruv eller andra små metallföremål som kan skapa en anslutning mellan batteripolerna.**
18. **Under hårda förhållande kan det komma vätska ur batteriet. Undvik kontakt. Spola med vatten om kontakt ändå råkar uppstå.**
19. **Använd inte ett batteripaket eller en apparat som har skadats eller ändrats. Skadade eller ändrade batterier kan uppföra sig opålitligt, vilket kan leda till brand, explosion eller skaderisk.**
20. **Utsätt inte ett batteripaket eller en apparat för brand eller höga temperaturer.** Exponering för eld eller temperaturer över 130 °C kan leda till explosion.
21. **Följ alla laddningsinstruktioner och ladda inte batteripaketet eller apparaten utanför det temperaturintervall som anges i instruktionerna. Felaktig laddning, eller vid temperaturer utanför det angivna intervallet, kan skada batteriet och öka risken för brand.**

SPARA DESSA ANVISNINGAR.

YTTERLIGARE SÄKERHETSANVISNINGAR

Denna maskin är avsedd för att användas i hushåll.

1. **Läs denna bruksanvisning och laddarens bruksanvisning noggrant innan du använder dammsugaren.**
2. **Plocka inte upp följande material:**
 - Varmt material som tända cigaretter eller gnist-/metalldamm som skapas när man slipar/sågar i metall
 - Lättantändliga material som bensin, thinner, fotogen eller färg

- Explosivt material som nitroglycerin
 - Antändbart material såsom aluminium, zink, magnesium, titan, fosfor eller celluloid
 - Blöt smuts, vatten, olja eller liknande
 - Hårda bitar med vassa kanter som träflisor, metaller, stenar, glas, spikar, stift eller rakblad
 - Pulver som klumpar ihop sig såsom cement eller toner
 - Ledande damm som metall eller kol
 - Fina korn som betongdamm
- Att göra detta kan orsaka brand, skada och/eller skada på egendom.
3. Stanna maskinen omedelbart om du lägger märke till något onormalt.
 4. Om du tappat eller stött till dammsugaren, kontrollera att den inte har skadats innan du använder den.
 5. Använd inte dammsugaren nära kaminer eller andra värmekällor.
 6. Blockera inte intagshålet eller ventilationshålen.

SPARA DESSA ANVISNINGAR.

Viktiga säkerhetsanvisningar för batterikassetten

1. Innan batterikassetten används ska alla instruktioner och varningsmärken på (1) batteriladdaren, (2) batteriet och (3) produkten läsas.
2. Montera inte isär eller mixtra med batterikassetten. Det kan leda till brand, överdriven värme eller explosion.
3. Om drifttiden blivit avsevärt kortare ska användningen avbrytas omedelbart. Det kan uppstå överhettning, brännskador och t o m en explosion.
4. Om du får elektrolyt i ögonen ska de sköljas med rent vatten och läkare uppsöks omedelbart. Det finns risk för att synen förloras.
5. Kortslut inte batterikassetten.
 - (1) Rör inte vid polerna med något strömförande material.
 - (2) Undvik att förvara batterikassetten tillsammans med andra metallobjekt som t.ex. spikar, mynt o.s.v.
 - (3) Skydda batteriet mot vatten och regn. En batterikortslutning kan orsaka ett stort strömflöde, överhettning, brand och maskinhaveri.
6. Förvara och använd inte verktyget och batterikassetten på platser där temperaturen kan nå eller överstiga 50 °C.
7. Bränn inte upp batterikassetten även om den är svårt skadad eller helt utsliten. Batterikassetten kan explodera i öppen eld.
8. Spika inte i, krossa, kasta, tappa eller slå batterikassetten mot hårda föremål. Dylåka händelser kan leda till brand, överdriven värme eller explosion.
9. Använd inte ett skadat batteri.

10. De medföljande litiumjonbatterierna är föremål för kraven i gällande lagstiftning för farligt gods. För kommersiella transporter (av t.ex. tredje parter som speditönsfirmor) måste de särskilda transportkrav som anges på emballaget och etiketter iakttagas. För att förbereda den produkt som ska avsändas krävs att du konsulterar en expert på riskmaterial. Var också uppmärksam på att det i ditt land kan finnas ytterligare föreskrifter att följa. Tejpa över eller maskera blottade kontakter och packa batteriet på sådant sätt att det inte kan röra sig fritt i förpackningen.
11. När batterikassetten ska kasseras måste den tas bort från maskinen och kasseras på ett säkert sätt. Följ lokala föreskrifter beträffande avfallshandtering av batteriet.
12. Använd endast batterierna med de produkter som specificerats av Makita. Att använda batterierna med ej godkända produkter kan leda till brand, överdriven värme, explosion eller utläckande elektrolyt.
13. Om maskinen inte används under en lång tid måste batteriet tas bort från maskinen.
14. Under och efter användning kan batterikassetten bli het vilket kan orsaka brännskador eller lättare brännskador. Var uppmärksam på hur du hanterar varma batterikassetter.
15. Vidrör inte verktygets kontakter direkt efter användning eftersom de kan bli heta och orsaka brännskador.
16. Låt inte flisor, damm eller smuts fastna i kontakterna, i hål eller spår i batterikassetten. Det kan leda till att verktyget eller batterikassetten värms upp, fattar eld, går sönder eller inte fungerar som de ska, vilket kan orsaka brännskador eller personskador.
17. Såvida inte verktyget stöder arbeten i närheten av högspanningsledning för batterikassetten inte användas i närheten av en högspanningsledning. Det kan leda till att verktyget eller batterikassetten går sönder eller inte fungerar korrekt.
18. Förvara batteriet utom räckhåll för barn.

SPARA DESSA ANVISNINGAR.

⚠ FÖRSIKTIGT: Använda endast äkta Makita-batterier. Användning av oäkta Makita-batterier eller batterier som har manipulerats kan leda till person- och utrustningsskador eller till att batteriet fattar eld. Det upphäver också Makitas garanti för verktyget och laddaren.

Tips för att uppnå batteriets maximala livslängd

1. Ladda batterikassetten innan den är helt urladdad. Stanna alltid maskinen och ladda batterikassetten när du märker att maskinen blir svagare.
2. Ladda aldrig en fulladdad batterikasset. Överladdning förkortar batteriets livslängd.
3. Ladda batterikassetten vid en rumstemperatur på 10 °C - 40 °C. Låt en varm batterikasset svalna innan den laddas.
4. När batterikassetten inte används ska den tas bort från verktyget eller laddaren.
5. Ladda batterikassetten om du inte har använt den på länge (mer än sex månader).

FUNKTIONSBESKRIVNING

⚠ FÖRSIKTIGT: Se alltid till att maskinen är avstängd och batterikassetten borttagen innan du justerar maskinen eller kontrollerar dess funktioner.

⚠ FÖRSIKTIGT: Var försiktig så att du inte fastnar med fingret/fingrarna mellan dammsugaren och batteriet, såsom visas på bilden, när batteriet ska laddas. Det kan orsaka skada.

► Fig.1

Montera eller demontera batterikassetten

⚠ FÖRSIKTIGT: Stäng alltid av maskinen innan du monterar eller tar bort batterikassetten.

⚠ FÖRSIKTIGT: Håll stadigt i maskinen och batterikassetten när du monterar eller tar bort batterikassetten. I annat fall kan det leda till att de glider ur dina händer och orsakar skada på maskinen och batterikassetten samt personskada.

► Fig.2: 1. Röd indikator 2. Knapp 3. Batterikassett

Ta bort batterikassetten genom att skjuta ner knappen på kassettsens framsida samtidigt som du drar ut batterikassetten.

Sätt i batterikassetten genom att rikta in tungan på batterikassetten mot spåret i höljet och skjut den på plats. Tryck in batterikassetten ordentligt tills den låser fast med ett klick. Om du kan se den röda indikatorn som bilden visar är den inte låst ordentligt.

⚠ FÖRSIKTIGT: Sätt alltid i batterikassetten helt tills den röda indikatorn inte längre syns. I annat fall kan den oväntat falla ur verktyget och skada dig eller någon annan.

⚠ FÖRSIKTIGT: Montera inte batterikassetten med våld. Om kassetten inte lätt glider på plats är den felinsatt.

Skyddssystem för batteri

Maskinen är utrustad med ett skyddssystem för maskinen-/batteriet. Detta system bryter automatiskt strömmen till motorn för att förlänga maskinens och batteriets livslängd. Maskinen stoppar automatiskt under användningen om maskinen eller batteriet hamnar i en av följande situationer.

Överbelastning:

Verktyget/batteriet används på ett sätt som gör att det förbrukar onormalt mycket ström.

När detta sker stänger du av maskinen och upphör med arbetet som gjorde att maskinen överbelastades. Starta därefter upp maskinen igen.

Om verktyget inte startar är verktyget/batteriet överhettat. Låt i så fall verktyget/batteriet svalna innan du startar verktyget igen.

Batterispänningen faller:

Den kvarvarande batterikapaciteten är för låg och maskinen fungerar inte. I detta läge tar du bort batteriet och laddar det.

Skydd mot andra felorsaker:

Skyddssystemet är också utformat för att hantera andra orsaker som skulle kunna skada verktyget, och gör att verktyget kan stanna automatiskt. Om verktyget stannat tillfälligt eller helt slutat fungera utför du följande steg för att åtgärda problemen.

1. Stäng av verktyget och slå sedan på det igen för att starta om det.
2. Ladda upp batteriet/batterierna eller byt ut det/dem mot uppladdade batterier.
3. Låt verktyget och batteriet/batterierna svalna.

Om återställning av skyddssystemet inte leder till någon förbättring kontaktar du ditt lokala Makita Service Center.

Indikerar kvarvarande batterikapacitet

Tryck på kontrollknappen på batterikassetten för att se kvarvarande batterikapacitet. Indikatorlamporna lyser i ett par sekunder.

► Fig.3: 1. Indikatorlampor 2. Kontrollknapp

| Indikatorlampor | | | Kvarvarande kapacitet |
|-----------------|----|---------|---------------------------|
| Upplyst | Av | Blinkar | |
| ■ ■ ■ ■ | | | 75% till 100% |
| ■ ■ ■ □ | | | 50% till 75% |
| ■ ■ □ □ | | | 25% till 50% |
| ■ □ □ □ | | | 0% till 25% |
| ◐ □ □ □ | | | Ladda batteriet. |
| ■ ■ □ □ | | | Batteriet kan ha skadats. |
| □ □ ■ ■ | | | |

OBS: Beroende på användningsförhållanden och den omgivande temperaturen kan indikationen skilja sig lätt från den faktiska batterikapaciteten.





OBS: Den första (längst till vänster) indikatorlampan kommer att blinka när batteriskyddssystemet fungerar.

Avtryckarens funktion

- **Fig.4:** 1. Ändringsknapp för sugkraft 2. ON/OFF (på/av)-knapp

Tryck bara på knappen ON/OFF (på/av) för att starta dammsugaren. Stäng av genom att trycka på knappen ON/OFF (på/av) igen.

Du kan ändra dammsugarens sugkraft i fyra steg genom att trycka på ändringsknappen för sugkraft. Varje tryckning på den knappen ändrar till lägena tyst/ normalt/högt/max i en cykel.

| Nivå | Indikation | Läge |
|------|---|------------------------|
| 1 |  | Tyst läge |
| 2 |  | Normalt hastighetsläge |
| 3 |  | Höghastighetsläge |
| 4 |  | Maxhastighetsläge |

OBS: Du kan ändra sugkraften innan du sätter på dammsugaren.

OBS: Dammsugaren börjar arbeta med samma sugkraft som vid den senaste körningen.

Tända lampan

⚠FÖRSIKTIGT: Titta inte in i ljuset eller direkt i ljuskällan.

Tryck på ändringsknappen för sugkraft för att tända lampan. Lampan slocknar på ca 10 sekunder. Medan dammsugaren är igång är lampan tänd. Lampan slocknar ca 10 sekunder efter att körningen stoppats.

OBS: När den kvarvarande batterikapaciteten blir låg blinkar lampan. När lampan börjar blinka beror på temperaturen vid arbetsplatsen och på batterikassetts skick.

- **Fig.5:** 1. Ändringsknapp för sugkraft 2. ON/OFF (på/av)-knapp 3. Lampa

BESKRIVNING AV DELAR

Landsspecifikt

- **Fig.6**

| | | | | | | | |
|---|---|---|--|---|------------|---|----------------|
| 1 | 250 ml dammbehållare (valfritt tillbehör) | 2 | 400 ml dammbehållare (valfritt tillbehör) | 3 | Nätfilter | 4 | Cyklonkropp |
| 5 | Högprestandafilter (grå filterram) (valfritt tillbehör) | 6 | HEPA-filter (vit filterram) (valfritt tillbehör) | 7 | Svampskiva | 8 | Dammsugarkropp |
| 9 | Handrem (landsspecifikt) | - | - | - | - | - | - |

MONTERING

⚠FÖRSIKTIGT: Se alltid till att maskinen är avstängd och batterikassetten borttagen innan du underhåller maskinen.

OBSERVERA: Se till att alla tillbehör och komponenter sitter ordentligt på plats före användning.

Montering eller demontering av dammsugartillbehör

⚠FÖRSIKTIGT: Kontrollera att tillbehören sitter säkert efter att de monterats. Om tillbehören är ofullständig monterat kan de lossna och orsaka personskada.

⚠FÖRSIKTIGT: Var noga med att inte slå handen i väggen etc. när du tar bort tillbehören.

När tillbehöret med låsfunktion används

Installera tillbehöret genom att sätta in det i dammsugarens sugöppning tills det klickar. Se till att tillbehöret är låst.

- **Fig.7:** 1. Sugöppning 2. Tillbehör med låsfunktion 3. Krok

OBSERVERA: Se till att du passar in frigöringsknappen på dammsugaren med kroken på tillbehöret när du monterar tillbehöret med låsfunktion. Om de inte är inpassade med varandra blir tillbehöret inte låst och kan lossna från dammsugaren.

Ta bort tillbehöret genom att dra av det från dammsugaren samtidigt som du håller armarna på frigöringsknappen intryckta.

- **Fig.8:** 1. Frigöringsknapp 2. Arm på frigöringsknapp 3. Tillbehör med låsfunktion 4. Suginlopp

När tillbehöret utan låsfunktion används

OBSERVERA: Installera tillbehör utan låsfunktion genom att sätta in det i dammsugarens suginlopp och vrida det enligt bilden. För att ta bort tillbehöret, frigör det från dammsugaren genom att vrida det enligt bilden. Undvik att vrida tillbehöret i motsatt riktning mot pilen i bilden eftersom cyklonenheten då kan lossna.

► Fig.9

ANVÄNDNING

⚠FÖRSIKTIGT: Ha inte ansiktet nära ventilationsöppningen när dammsugaren används. Om främmande föremål blåser in i ögonen kan det resultera i personskada.

OBSERVERA: Undvik att använda dammsugaren i horisontellt eller uppåtvänt läge. Detta kan resultera i att nätfiltret blir igensatt.

OBSERVERA: Använd alltid dammsugaren med installerade filter. Att använda dammsugaren utan filter kan leda till fel på motorn.

OBSERVERA: Töm dammbehållaren i cyklonenheten när damm har ansamlats. Fortsatt användning leder till försvagad sugkraft.

Cyklonenheten hjälper till att minska mängden damm som kommer in i dammsugaren vilket förbättrar sugprestandan med okomplicerat och enkelt och avlägsnande av damm.

Dammsugning

Munstycke

Endast med 250 ml dammbehållare

Använd munstycket när du ska dammsuga bord, bänkar, möbler o.dyl. Munstycket skjuts på enkelt.

► Fig.10: 1. Munstycke

Munstycke + förlängningsrör (rakt rör)

Förlängningsröret sätts mellan munstycket och själva dammsugaren. Med detta arrangemang kan du dammsuga bekvämt i upprätt läge.

► Fig.11: 1. Dammsugarkropp 2. Förlängningsrör 3. Munstycke

Hörnmunstycke

Sätt på hörnmunstycket när du ska dammsuga hörn och springor i bilsäten.

► Fig.12: 1. Hörnmunstycke 2. Dammsugarkropp

Du kan förvara hörnmunstycket i munstyckshållaren.

► Fig.13: 1. Munstyckshållare 2. Hörnmunstycke

⚠FÖRSIKTIGT: Var försiktig så du inte fastnar med fingret/fingrarna mellan hörnmunstycket och munstyckshållaren. Att klämma fingret/fingrarna kan orsaka skada.

Hörnmunstycke + förlängningsrör (rakt rör)

Använd detta arrangemang i trånga utrymmen där inte själva dammsugaren får plats eller på höga höjder som är svåra att nå.

► Fig.14: 1. Hörnmunstycke 2. Förlängningsrör 3. Dammsugarkropp

Dammsugning utan munstycke

Endast med 250 ml dammbehållare

Du kan suga upp pulver och damm utan att använda munstycket.

► Fig.15

För att få upp damm från ett golv i stående ställning är det bekvämt att fästa förlängningsröret (rakt rör) på dammsugaren.

► Fig.16: 1. Förlängningsrör

Borttagning av damm

⚠FÖRSIKTIGT: Töm dammbehållaren innan den blir för full, annars försvagas sugstyrkan.

⚠FÖRSIKTIGT: Var försiktig så att du inte klämmer fingrarna mellan dammbehållaren och cyklonkroppen när du sätter ihop dem igen.

Töm ut ansamlat damm enligt följande innan det över-skrider dammtömningslinjen.

1. Peka dammsugarhuvudet nedåt, håll stadigt i dammbehållaren och dra isär den från cyklonkroppen samtidigt som du trycker in frigöringsknapparna på båda sidorna av dammbehållaren.

► Fig.17: 1. Dammtömningslinje 2. Dammbehållare 3. Frigöringsknappar 4. Nätfiltret

2. Töm dammbehållaren och rengör nätfiltret från ansamlat damm.

► Fig.18

3. Sätt tillbaka dammbehållaren på cyklonkroppen tills den klickar på plats.

► Fig.19: 1. Dammbehållare 2. Frigöringsknappar 3. Cyklonkropp

⚠FÖRSIKTIGT: Damm kan flyga upp när det avyttras från dammbehållaren. Var försiktig så du inte får damm i ögonen.

OBSERVERA: Ta bort och tvätta dammbehållaren med vatten när den blir smutsig. Torka dammbehållaren noggrant före återmontering och användning.

OBSERVERA: Se till att alla tillbehör och komponenter sitter ordentligt på plats före användning.

OBSERVERA: Om sugkraften inte återställs när du har avlägsnat dammet och rengjort nätfiltret ska du kontrollera om damm har ansamlats inuti cyklonkroppen eller om den är igensatt.

UNDERHÅLL

⚠ FÖRSIKTIGT: Se alltid till att maskinen är avstängd och batterikassetten borttagen innan inspektion eller underhåll utförs.

OBSERVERA: Använd inte bensin, förtunningsmedel, alkohol eller liknande. Missfärgning, deformation eller sprickor kan uppstå.

För att upprätthålla produktens SÄKERHET och TILLFÖRLITLIGHET bör allt underhålls- och justeringsarbete utföras av ett auktoriserat Makita servicecenter och med reservdelar från Makita.

Efter användning

⚠ FÖRSIKTIGT: Om du lutar dammsugaren mot väggen utan något annat stöd kan det orsaka att dammsugaren välter, vilket kan leda till personskada eller skada på dammsugaren.

► Fig.20

Regelbundet underhåll

OBSERVERA: Rengör filtren i cyklonenheten när de blir igensatta. Fortsatt användning i igensatt tillstånd kan leda till upphettning eller fel på motorn.

OBSERVERA: Blås inte bort damm på dammsugaren och filter med rengöringspray (luft). Damm kommer att tränga in i huset och orsaka stopp.

Rutinunderhåll krävs för att återställa normala driftförhållanden.

Dammsugarkropp

Torka av dammsugarens utsida (dammsugarkropp) med en trasa fuktad i såpvatten och rengör sugöppningarna.

► Fig.21

Cyklonenhet och filter

OBSERVERA: Damma av och rensa insidan av cyklonenheten och filtren när sugprestandan blir mindre effektiv oavsett mängden damm som ansamlats i dammbehållaren.

OBSERVERA: Torka filtren noga innan användning när du har tvättat dem. Filter som inte är helt torra kan orsaka dålig sugförmåga och förkorta motorns livslängd.

OBSERVERA: Se till att sätta tillbaka filtren och svampskivan före användning, efter de har rengjorts. Om du använder dammsugaren utan filter och svampskiva kommer damm att tränga in i motorhuset och leda till felfunktion.

Cyklonenhet

1. Knacka några gånger med handen på cyklonenheten för att ta bort damm som har fastnat på insidan av cyklonenheten och filtret.

► Fig.22: 1. Cyklonenhet

2. Peka suginloppet nedåt. Vrid sedan cyklonenheten enligt bilden och rikta in pekaren på cyklonenheten med den på dammsugarkroppen för att frigöra låset. Ta sedan sakt och rakt bort cyklonenheten från dammsugarkroppen.

► Fig.23: 1. Cyklonenhet 2. Suginlopp 3. Pekare 4. Filter

OBS: Damm kan flyga ut från cyklonenheten när den demonteras. Vi rekommenderar att en soppåse placeras under cyklonenheten.

3. Damma av insidan av cyklonenheten och filtret.

► Fig.24

4. Sätt tillbaka cyklonenheten på dammsugarkroppen genom att rikta in pekaren på cyklonenheten med den på dammsugarkroppen. Vrid sedan cyklonenheten enligt bilden tills den sitter ordentligt på plats.

► Fig.25: 1. Cyklonenhet 2. Dammsugarkropp
3. Pekare

Högprestandafiltra

Valfria tillbehör

1. Ta bort cyklonenheten från dammsugarkroppen.

2. Håll i monteringsändan på högprestandafiltraet och dra isär det från dammsugarkroppen.

► Fig.26: 1. Högprestandafiltra 2. Dammsugarkropp

3. Torka och skaka av damm från högprestandafiltraet för hand.

► Fig.27

4. Tvätta högprestandafiltraet i såpvatten när det är igensatt med damm och smuts. Låt det torka ordentligt i skugga före användning.

► Fig.28

OBS: Undvik att klämma fastsättningsändan (gummitättningsring) på högprestandafiltraet när du hänger upp det för att torka.

5. Håll i monteringsändan på högprestandafiltraet och kläm tillbaka det i dammsugarkroppen.

► Fig.29: 1. Högprestandafiltra 2. Dammsugarkropp

HEPA-filtra

Valfria tillbehör

OBSERVERA: Skrubba inte eller skrapa på HEPA-filtraet med hårda föremål som en borste eller spatel.

1. Ta bort cyklonenheten från dammsugarkroppen.

2. Håll i monteringsändan på HEPA-filtraet (täckt med högprestandafiltraet) och dra isär det från dammsugarkroppen.

► Fig.30: 1. HEPA-filtra (täckt med högprestandafiltraet) 2. Dammsugarkropp

3. Demontera högprestandafiltraet från HEPA-filtraet genom att vrida det för hand.

► Fig.31: 1. Högprestandafiltra 2. HEPA-filtra

4. Torka och skaka av damm från högprestandafiltret och HEPA-filtret för hand.

► **Fig.32**

5. Tvätta det högprestandafiltret och HEPA-filtret i såpvatten. Skölj och torka dem ordentligt i skugga före användning.

► **Fig.33**

OBS: Undvik att klämma fastsättningsänden (gummitätningssring) på HEPA-filtret när du hänger upp det för att torka.

6. Fäst högprestandafiltret på HEPA-filtret.

► **Fig.34:** 1. Högprestandaförfilter 2. HEPA-filter

7. Håll i monteringsänden på HEPA-filtret (täckt med högprestandafiltret) och kläm tillbaka det i dammsugarkroppen.

► **Fig.35:** 1. HEPA-filter (täckt med högprestandaförfilter) 2. Dammsugarkropp

Svampskiva

1. Ta bort cyklonenheten från dammsugarkroppen.

2. Håll i monteringsänden på filtret och dra isär det från dammsugarkroppen.

► **Fig.36:** 1. Filter 2. Dammsugarkropp

3. Dra av svampskivan från sugöppningen.

► **Fig.37:** 1. Svampskiva 2. Sugöppning

4. Torka och skaka av damm från svampskivan för hand.

► **Fig.38**

5. Tvätta svampskivan i såpvatten när den är igensatt med damm och smuts. Låt den torka ordentligt i skugga före användning.

► **Fig.39**

6. Sätt tillbaka svampskivan i ursprungligt läge. Se till att den vänstra och högra kanten på svampskivan säkras med stoppanordningarna och att det inte finns något mellanrum mellan svampskivan och sugöppningen.

► **Fig.40:** 1. Svampskiva 2. Stoppanordning
3. Sugöppning

7. Håll i monteringsänden på filtret och kläm tillbaka det i dammsugarkroppen.

► **Fig.41:** 1. Filter 2. Dammsugarkropp

Skickbaserat underhåll

OBSERVERA: Rengör nätfiltret i cyklonenheten när det blir igensatt. Fortsatt användning i igensatt tillstånd kan leda till upphettning eller fel på motorn.

Djup- och punktrensning måste utföras i enlighet med verktygets prestanda.

Nätfiler

När dammhöljet blir smutsigt eller nätfiltret blir tilltäppt tar du bort dem och tvättar av dem med vatten. (Se borttagningsproceduren i "Borttagning av damm".)

1. Håll stadigt i dammbehållaren och dra isär den från cyklonkroppen samtidigt som du trycker in frigöringsknapparna på båda sidorna av dammbehållaren.

► **Fig.42:** 1. Dammbehållare 2. Cyklonkropp
3. Frigöringsknappar

2. Vrid nätfiltret enligt bilden för att låsa upp låset. Ta sedan bort det från cyklonkroppen.

► **Fig.43:** 1. Nätfiler

3. Demontera nätfiltret i tre komponenter: förfilter, rörformat svampfilter och nätrör.

i Tryck ihop styrstoppen längst upp på nätröret.

ii Skjut ned styrstoppen genom styrhålet längst upp på förfiltret.

iii Dra förfiltret längs det rörformade svampfiltret och nätröret.

iv Ta bort det rörformade svampfiltret från nätröret.

► **Fig.44:** 1. Förfilter 2. Rörformat svampfilter
3. Nätrör 4. Styrstopp 5. Styrhåll

4. Torka och skaka av damm från filtren och nätröret för hand.

► **Fig.45**

5. Tvätta filtren och nätröret i såpvatten när de är igensatta med damm och smuts. Låt dem torka ordentligt i skugga före användning.

► **Fig.46**

6. Återmontera nätfiltret.

i För in det rörformade svampfiltret i förfiltret.

ii För in nätröret i det rörformade svampfiltret och förfiltret genom att skjuta in styrstoppen på ovansidan av nätröret genom styrhålet längst upp på förfiltret.

iii Tryck nätröret genom det rörformade svampfiltret och förfiltret tills det klickar på plats.

► **Fig.47:** 1. Förfilter 2. Rörformat svampfilter
3. Nätrör 4. Styrstopp 5. Styrhåll

7. Sätt tillbaka nätfiltret i cyklonkroppen genom att rikta in krokarna på nätfiltret med öppningarna på sugutloppet på cyklonkroppen. Vrid nätfiltret enligt bilden till krokarna låses med ett klick. Se till att nätfiltret är ordentligt installerat.

► **Fig.48:** 1. Nätfiler 2. Cyklonkropp 3. Krok 4. Öppning

Luftkanaler i cyklonenheten

Inkommande främmande ämnen kan blockera luftkanalerna i cyklonenheten och försämra luftflödet. Ta bort eventuella hinder från luftvägen om sugprestandan påverkas kraftigt.

1. Demontera cyklonenheten i tre komponenter: dammbehållare, nätfiler och cyklonkropp.

► **Fig.49:** 1. Dammbehållare 2. Nätfiler
3. Cyklonkropp 4. Dammsugarkropp

2. Tryck och håll in styrstoppet på inloppsörret genom att trycka in det med spetsen på handverktyget genom läshålet på cyklonkroppen. Ta sedan bort inloppsörret från cyklonkroppen.

► **Fig.50:** 1. Inloppsör 2. Styrstopp 3. Cyklonkropp
4. Läshål

3. Rengör eventuella ämnen från luftkanalerna.

Främmande ämnen fastnar sannolikt runt en inkommande luftport.

► **Fig.51:** 1. Suginlopp 2. Luftinloppsport

4. För tillbaka inloppsörret på plats tills det är ordentligt låst.

► **Fig.52:** 1. Inloppsör 2. Cyklonkropp 3. O-ring
4. Klaffventil

OBSERVERA: Se till att O-ringen och klaffventilen sitter ordentligt på plats före montering. Sugprestandan kan påverkas om cyklonenheten används utan att O-ringen och klaffventilen sitter på plats.

5. Återmontera cyklonenheten och sätt i den i dammsugarkroppen.

Felsökning

Kontrollera följande punkter innan du kontaktar service.

| Symptom | Område att kontrollera | Åtgärdsmetod |
|------------------------|--|---|
| Svag sugförmåga | Är dammbehållaren eller insidan av cyklonenheten full av damm? | Töm dammbehållaren eller insidan av cyklonenheten. |
| | Är filtren igensatta? | Damma eller tvätta högprestandafiltret/HEPA-filtret/svampskivan/nätfiltret. |
| | Finns det en blockering i luftkanalerna? | Rengör eventuellt damm och objekt från luftöppningar och kanaler. |
| | Är batterikassetten urladdad? | Ladda batterikassetten. |
| Fungerar inte | Är batterikassetten urladdad? | Ladda batterikassetten. |
| Buller och vibrationer | Är filtren igensatta? | Damma eller tvätta högprestandafiltret/HEPA-filtret/svampskivan/nätfiltret. |
| | Finns det en blockering i öppningar eller hål? | Rengör eventuellt damm och objekt från munstycken, rör och luftöppningar. |
| | Är suginloppet på munstycket eller röret stängd? | Frilägg och öppna suginloppet på munstycket och röret. |

⚠ FÖRSIKTIGT: Reparera inte dammsugaren på eget bevåg.

VALFRIA TILLBEHÖR

⚠ FÖRSIKTIGT: Följande tillbehör eller tillsatser rekommenderas för användning med den Makita-maskin som denna bruksanvisning avser. Om andra tillbehör eller tillsatser används kan det uppstå risk för personskador. Använd endast tillbehören eller tillsatserna för de syften de är avsedda för.

Kontakta ditt lokala Makita servicecenter om du behöver ytterligare information om dessa tillbehör.

- Förlängningsrör (rakt rör)
- Munstycke
- Mattmunstycke
- Hyllborste
- Hörnmunstycke
- Rund borste
- Flexibel slang
- Högprestandafilter
- HEPA-filtret
- Sättesmunstycke
- Spaltmunstycke
- Verktygsväska
- Makitas originalbatteri och -laddare

OBS: Några av tillbehören i listan kan vara inkluderade i maskinpaketet som standardtillbehör. De kan variera mellan olika länder.

ADVARSEL

- Dette apparatet kan brukes av barn fra 8 år og oppover og av personer med reduserte fysiske, sensoriske eller mentale evner eller mangel på erfaring og kunnskap, såfremt de holdes under oppsyn, har blitt gitt instruksjoner om sikker bruk av apparatet og forstår farene som er involvert.
- Barn skal ikke leke med apparatet. Rengjøring og brukervedlikehold skal ikke utføres av barn uten oppsyn.
- Typereferanse for batteriet finnes i kapittelet "SPESIFIKASJONER".
- Informasjon om hvordan batteriet settes i og tas ut finnes i avsnittet "Sette inn eller ta ut batteri".
- Når batteriet skal avhendes, tar du det ut av verktøyet og kaster det på et trygt sted. Følg lokale bestemmelser for avhending av batterier.
- Hvis verktøyet ikke skal brukes på en god stund, må batteriet tas ut av verktøyet.
- Ikke kortslutt batteriet.
- Nærmere detaljer om forholdsregler under brukervedlikehold finnes i kapittelet "VEDLIKEHOLD".

TEKNISKE DATA

| Modell: | | CL003G |
|---|--------------------------------|----------------------------------|
| Kapasitet | | 250 mL / 400 mL (landsspesifikk) |
| Kontinuerlig bruk (med batteri BL4025) | 1 (stillemodus) | Ca. 80 min |
| | 2 (modus for normal hastighet) | Ca. 40 min |
| | 3 (modus for høy hastighet) | Ca. 25 min |
| | 4 (modus for maks. hastighet) | Ca. 16 min |
| Samlet lengde (med rør, munnstykke og batteri BL4025) | | 1 106 mm |
| Nominell spenning | | DC 36 V - 40 V maks |
| Nettovekt | | 1,9 - 2,6 kg |

- På grunn av vårt kontinuerlige forsknings- og utviklingsprogram kan spesifikasjonene som oppgis i dette dokumentet endres uten varsel.
- Spesifikasjonene kan variere fra land til land.
- Vekten omfatter ikke tilbehør, men batteri(er). Den letteste og tyngste vektkombinasjonen av innretningen og batteri(er) vises i tabellen.

Passende batteri og lader

| | |
|----------------|---|
| Batteriinnsett | BL4020* / BL4025* / BL4040* / BL4050F * : Anbefalt batteri |
| Lader | DC40RA / DC40RB / DC40RC |

- Noen av batteriene og laderne som er opplistet ovenfor er kanskje ikke tilgjengelige, avhengig av hvor du bor.

⚠ ADVARSEL: Bruk kun de batteriene og laderne som er opplistet ovenfor. Bruk av andre batterier og ladere kan føre til personskader og/eller brann.

Symboler

Nedenfor ser du symbolene som kan brukes for dette utstyret. Forviss deg om at du forstår hva de betyr, før du begynner å bruke maskinen.



Les bruksanvisningen.



Et representativt batteri som gjelder for dette produktet.



Ni-MH
Li-ion

Kun for EU-land
På grunn av forekomst av farlige komponenter i utstyret, kan avfall fra elektrisk og elektronisk utstyr, akkumulatører og batterier ha en negativ innvirkning på miljøet og menneskers helse.
Ikke kast elektriske og elektroniske apparater eller batterier sammen med husholdningsavfall!
I samsvar med det europeiske direktivet om avfall fra elektrisk og elektronisk utstyr og om akkumulatører og batterier samt akkumulatører og batterier som skal kastes, samt deres tilpasning til nasjonal lovgivning, skal brukt elektrisk utstyr samt brukte batterier og akkumulatører samles inn separat og leveres til et eget innsamlingssted for kommunalt avfall, som driver virksomhet i samsvar med miljøvernforskriftene.
 Dette er angis av symbolet med den overkryssede avfallsbeholderen som er plassert på utstyret.

Riktig bruk

Innretningen er laget for å samle opp tørt støv.

SIKKERHETSADVARSEL

Sikkerhetsadvarsler for trådløs støvsuger

⚠ ADVARSEL: VIKTIG. LES NØYE alle sikkerhetsadvarsler og instruksjoner FØR BRUK. Hvis du ikke følger alle advarslene og instruksjonene som er oppført nedenfor, kan det føre til elektriske støt, brann og/eller alvorlige helseskader.

1. **Må ikke utsettes for regn.** Oppbevares innendørs.
2. **Ikke bruk støvsugeren som leketøy.** Vær ekstra oppmerksom når den brukes nær barn.
3. **Bruk støvsugeren kun som beskrevet i denne håndboken.** Bruk kun tilbehør som er anbefalt av produsenten.
4. **Må ikke brukes med skadet batteri.** Hvis innretningen ikke virker som den skal, er blitt mistet i bakken, ødelagt, gjenglemt utendørs eller mistet i vann, må du levere den inn til et serviceverksted.
5. **Ikke håndter innretningen med våte hender.**
6. **Ikke putt gjenstander inn i åpningene.** Ikke bruk støvsugeren hvis noen av åpningene er blokkert. Hold den fri for støv, lo, hår og annet som kan redusere luftstrømmen.

7. **Hold hår, løstsittende klær, fingrene og alle kroppsdeler unna åpninger og bevegelige deler.**
8. **Slå av alle kontroller før du tar ut batteriet.**
9. **Vær ekstra forsiktig ved rengjøring av trapper.**
10. **Må ikke brukes til å ta opp brennbare eller eksplosive væsker som bensin, og må heller ikke brukes i områder der disse kan forekomme.**
11. **Lading må kun foregå med laderen som fulgte med fra produsenten.**
12. **Ikke plukk opp noe som brenner eller ryker, som sigaretter, fyrstikker eller varm aske.**
13. **Må ikke brukes uten at støvpose og/eller filtre er på plass.**
14. **Ikke lad batteriet utendørs.**
15. **Batteriet må kun lades opp igjen med en lader spesifisert av produsenten.** En lader som passer til én batteritype, kan være brannfarlig når den brukes med en annen batteritype.
16. **Utstyr skal kun brukes med spesifikt angitte batterier.** Bruk av andre batterier kan utgjøre en fare for personskader og brann.
17. **Når batteripakken ikke er i bruk, bør du holde den unna metallgjenstander som binders, mynter, nøkler, spiker, skruer og andre små metallgjenstander som kan skape forbindelse mellom én pol og en annen.**
18. **Hvis batteriet utsettes for hardhendt bruk, kan det lekke væske fra batteriet.** Unngå kontakt med væsken. Hvis du kommer i kontakt med batterivæsken, må du skylle med vann.
19. **Ikke bruk et batteri eller apparat som er skadet eller endret på.** Batterier som er skadet eller endret på kan oppføre seg upålitelig og medføre brann, eksplosjon eller fare for personskader.
20. **Et batteri eller apparatet må ikke utsettes for ild eller for høy temperatur.** Ild eller temperaturer på over 130 °C kan forårsake eksplosjon.
21. **Følg alle ladeinstruksjonene, og ikke lad batteriet eller apparatet utenfor temperaturområdet som er angitt i instruksjonene.** Feil lading eller lading ved temperaturer utenfor det angitte området, kan skade batteriet og øke faren for brann.

TA VARE PÅ DISSE INSTRUKSJONENE.

YTTERLIGERE SIKKERHETSREGLER

Denne innretningen er beregnet på å brukes i husholdningen.

1. Les grundig gjennom denne bruksanvisningen og bruksanvisningen for laderen før bruk.
2. **Ikke plukk opp følgende materialer:**
 - Varme materialer som påtente sigaretter eller gnister/metallstøv fra sliping/kutting av metall
 - Brennbare materialer som bensin, tynner, lettbensin, parafin eller maling
 - Eksplosive materialer som nitroglyserin
 - Antennelige materialer som aluminium, sink, magnesium, titan, fosfor eller celluloid

- Fuktig smuss, vann, olje eller lignende
- Harde gjenstander med skarpe kanter som treflisser, metaller, steiner, glass, spiker, nåler eller barberblader
- Pulver som kan stivne som sement eller toner
- Elektrisk ledende støv fra metall eller karbon
- Fine partikler som betongstøv

Slike handlinger kan forårsake brann, personskader og/eller materielle skader.

3. Hvis du merker at noe er uvanlig, må du stanse arbeidet omgående.
4. Hvis du mister støvsugeren, eller kommer til å slå borti den, må du kontrollere den grundig med tanke på sprekker eller skader for bruk.
5. Ikke plasser innretningen nær ovner eller andre varmekilder.
6. Ikke blokker inntaksåpningen eller ventilasjonsåpningene.

TA VARE PÅ DISSE INSTRUKSJONENE.

Viktige sikkerhetsanvisninger for batteriinnsetts

1. Før du begynner å bruke batteriet, må du lese alle anvisninger og forsiktighetsregler på (1) batteriladeren, (2) batteriet og (3) det produktet batteriet skal brukes i.
2. Ikke demonter eller tukle batteriet. Det kan føre til brann, overoppheting eller eksplosjon.
3. Hvis driftstiden er blitt vesentlig kortere, må du omgående slutte å bruke maskinen. Hvis ikke kan resultatet bli overoppheting, mulige forbrenninger eller til og med en eksplosjon.
4. Hvis du får elektrolytt i øynene, må du skylle dem med store mengder rennende vann og oppsøke lege med én gang. Denne typen uhell kan føre til varig blindhet.
5. Ikke kortslutt batteriet:
 - (1) De kan være ekstremt varme og du kan brenne deg.
 - (2) Ikke lagre batteriet i samme beholder som andre metallgjenstander, som for eksempel spiker, mynter osv.
 - (3) Ikke la batteriet komme i kontakt med vann eller regn.

En kortslutning av batteriet kan føre til et kraftig strømstøt, overoppvarming, mulige forbrenninger og til og med til at batteriet går i stykker.

6. Ikke oppbevar og bruk verktøyet og batteriet på steder hvor temperaturen kan komme opp i eller overskride 50 °C.
7. Ikke sett fyr på batteriet, ikke engang om det er sterkt skadet eller helt utslitt. Batteriet kan eksplodere hvis det begynner å brenne.
8. Du må ikke spikre, skjære, klemme, kaste eller miste batteriet, og heller ikke slå en hard gjenstand mot batteriet. En slik oppførsel kan føre til brann, overoppheting eller eksplosjon.
9. Ikke bruk batterier som er skadet.

10. Lithium-ion-batteriene som medfølger er gjenstand for krav om spesialavfall.

For kommersiell transport, f.eks av tredjeparter eller spediterer, må spesielle krav om pakking og merking følges.

Før varen blir sendt, må du forhøre deg med en ekspert på farlig materiale. Ta også hensyn til muligheten for mer detaljerte nasjonale bestemmelser.

Bruk teip eller maskeringsteip for å skjule åpne kontakter og pakk inn batteriet på en slik måte at den ikke kan bevege seg rundt i emballasjen.

11. Når du kasserer batteriinnsettsen, må du ta den ut av verktøyet og avhende den på et sikkert sted. Følg lokale bestemmelser for avhending av batterier.
12. Bruk batteriene kun med produkter spesifisert av Makita. Montere batteriene i produkter som ikke er konforme kan føre til brann, overheting eller elektrolyttlekkasje.
13. Hvis verktøyet ikke skal brukes over en lengre periode, må batteriet tas ut av verktøyet.
14. Under og etter bruk kan batteriet bli varmt og før til brannskader. Vær forsiktig med håndteringen av varme batterier.
15. Ikke berører terminalen på verktøyet rett etter bruk, da den kan bli varm og forårsake brannskader.
16. Ikke la spon, støv eller jord sette seg fast i terminalene, hullene og sporene i batteriet. Det kan føre til at batteriet eller verktøyet blir overopphetet, begynner å brenne, sprekker eller ikke fungerer som det skal, og forårsake brannskader eller personskade.
17. Med mindre verktøyet støtter bruk nær en høyspent strømlinje, skal ikke batteriet brukes nær en høyspent strømlinje. Det kan føre til en funksjonsfeil eller at verktøyet eller batteriet slutter å fungere.
18. Oppbevar batteriet utilgjengelig for barn.

TA VARE PÅ DISSE INSTRUKSENE.

⚠FORSIKTIG: Bruk kun originale Makita-batterier. Bruk av batterier som har endret seg, eller som ikke er originale Makita-batterier, kan føre til at batteriet sprekker og forårsaker brann, personskader og andre skader. Det vil også ugyldiggjøre garantien for Makita-verktøyet og -laderen.

Tips for å opprettholde maksimal batterilevetid

1. Lad batteriinnsettsen før den er helt utladet. Stopp alltid driften av verktøyet og lad batteriinnsettsen når du merker at effekten reduseres.
2. Lad aldri en batteriinnsetts som er fulladet. Overopplading for korter batteriets levetid.
3. Lad batteriet i romtemperatur ved 10 °C - 40 °C. Et varmt batteri må kjøles ned før lading.
4. Når batteriet ikke er bruk, skal det tas ut av verktøyet eller laderen.
5. Lad batteriet hvis det ikke har vært brukt på en lang stund (over seks måneder).

FUNKSJONSBEKRIVELSE

⚠️ FORSIKTIG: Forviss deg alltid om at maskinen er slått av og batteriet tatt ut før du justerer maskinen eller kontrollerer dens mekaniske funksjoner.

⚠️ FORSIKTIG: Vær forsiktig så du ikke klemmer fingeren/fingrene mellom støvsugeren og batteriet, som vist på tegningen, når du setter inn batteriet. Å få en eller flere fingre i klem kan medføre personskader.

► Fig.1

Sette inn eller ta ut batteri

⚠️ FORSIKTIG: Slå alltid av verktøyet før du setter inn eller fjerner batteriet.

⚠️ FORSIKTIG: Hold verktøyet og batteripatronen i et fast grep når du monterer eller fjerner batteripatronen. Hvis du ikke holder verktøyet og batteripatronen godt fast, kan du miste grepet, og dette kan føre til skader på verktøyet og batteripatronen samt personskader.

► Fig.2: 1. Rød indikator 2. Knapp 3. Batteriinnsetts

For å ta ut batteriet må du skyve på knappen foran på batteriet og trekke det ut.

Når du skal sette inn batteriet, må du plassere tungen på batteriet på linje med sporet i huset og skyve batteriet på plass. Skyv det helt inn til det går i inngrep med et lite klikk. Hvis du kan se den røde indikatoren som vist i figuren, er det ikke helt låst.

⚠️ FORSIKTIG: Batteriet må alltid settes helt inn, så langt at den røde indikatoren ikke lenger er synlig. Hvis dette ikke gjøres, kan batteriet falle ut av verktøyet og skade deg eller andre som oppholder seg i nærheten.

⚠️ FORSIKTIG: Ikke bruk makt når du setter i batteriet. Hvis batteriet ikke glir lett inn, er det fordi det ikke settes inn på riktig måte.

Batteribeskyttelsessystem

Verktøyet er utstyrt med et batterivernssystem for verktøy/batteri. Dette systemet slår automatisk av strømmen til motoren for å forlenge verktøyets og batteriets levetid. Verktøyet stopper automatisk under drift hvis verktøyet eller batteriet utsettes for en av følgende tilstander.

Overbelastning:

Verktøyet/batteriet brukes på en måte som gjør at det trekker uvanlig mye strøm.

I dette tilfellet må du slå av verktøyet og avslutte bruken som forårsaket at verktøyet ble overbelastet. Slå deretter verktøyet på for å starte det igjen.

Hvis verktøyet ikke starter, er verktøyet/batteriet overopphetet. I dette tilfellet må du la verktøyet/batteriet avkjøles før du starter verktøyet på nytt.

Lav batterispenning:

Gjenværende batterikapasitet er for lav og verktøyet vil ikke fungere. I dette tilfellet, fjern og lad batteriet opp igjen.

Vern mot andre årsaker:

Vernesystemet er også laget for beskyttelse mot andre årsaker som kan skade verktøyet og gjøre at det stanser automatisk. Gå gjennom alle de følgende trinnene for å fjerne årsakene til at verktøyet har stanset midlertidig mens det er i drift.

1. Slå av verktøyet, og slå det deretter på igjen for å starte det på nytt.
2. Lad opp batteriet/batteriene eller skift ut med oppladede batterier.
3. La både verktøyet og batteriet/batteriene kjøle seg ned.

Hvis det ikke blir noen forbedring ved at vernesystemet gjenopprettes, tar du kontakt med det lokale Makita-servicesenteret.

Indikere gjenværende batterikapasitet

Trykk på sjekk-knappen på batteriet for vise gjenværende batterikapasitet. Indikatorlampene lyser i et par sekunder.

► Fig.3: 1. Indikatorlamper 2. Kontrollknapp

| Indikatorlamper | | | Gjenværende batterinivå |
|-----------------|----|---------|---------------------------|
| Tent | Av | Blinker | |
| | | | 75 % til 100 % |
| | | | 50 % til 75 % |
| | | | 25 % til 50 % |
| | | | 0 % til 25 % |
| | | | Lad batteriet. |
| | | | Batteriet kan ha en feil. |





MERK: Det angitte nivået kan avvike noe fra den faktiske kapasiteten alt etter bruksforholdene og den omgivende temperaturen.

MERK: Den første (helt til venstre) indikatorlampen vil blinke når batterivernssystemet fungerer.

Bryterfunksjon

- **Fig.4:** 1. Knapp for endring av sugekraft 2. PÅ/AV-knapp

Trykk på PÅ/AV-knappen for å starte støvsugerens. Trykk på PÅ/AV-knappen igjen for å slå den av. Du kan endre støvsugerens sugekraft i fire trinn ved å trykke på knappen for endring av sugekraft. Hvert trykk på denne knappen gjentar modusen stille/normal/høy/maks. i en syklus.

| Nivå | Indikasjon | Modus |
|------|---|----------------------------|
| 1 |  | Stillemodus |
| 2 |  | Modus for normal hastighet |
| 3 |  | Modus for høy hastighet |
| 4 |  | Modus for maks. hastighet |

MERK: Du kan endre sugekraften før du slår på støvsugerens.

MERK: Støvsugerens starter med samme sugekraft som sist gang den ble brukt.

Tenne lampen

⚠FORSIKTIG: Ikke se inn i lyset eller se direkte på lyskilden.

Trykk på knappen for endring av sugekraft for å slå på lampen. Lampen slår seg av etter ca. 10 sekunder. Lampen slår seg på når støvsugerens er i drift. Lampen slukkes ca. 10 sekunder etter at støvsugerens ikke lenger er i drift.

MERK: Når gjenværende batterikapasitet blir lav, begynner lampen å blinke. Lampen begynner å blinke avhengig av temperaturen på arbeidsplassen og batteritilstanden.

- **Fig.5:** 1. Knapp for endring av sugekraft 2. PÅ/AV-knapp 3. Lampe

DELEBESKRIVELSE

Landsspesifikk

- **Fig.6**

| | | | | | | | |
|---|--|---|--|---|-------------|---|--------------|
| 1 | 250 mL støvboks (tilleggsutstyr) | 2 | 400 mL støvboks (tilleggsutstyr) | 3 | Maskefilter | 4 | Syklonhus |
| 5 | Høyeffektsfilter (grå-farget filterramme) (tilleggsutstyr) | 6 | HEPA-filter (hvit-farget filterramme) (tilleggsutstyr) | 7 | Svampsett | 8 | Støvsugerhus |
| 9 | Håndstropp (landsspesifikk) | - | - | - | - | - | - |

MONTERING

⚠FORSIKTIG: Forviss deg alltid om at maskinen er slått av og batteriet tatt ut før du utfører noe arbeid på maskinen.

OBS: Forviss deg om at all tilbehør og alle komponenter er godt festet før bruk.

Sette på og ta av støvsugertilbehør

⚠FORSIKTIG: Etter at du har satt på tilbehøret må du kontrollere at det sitter godt fast. Hvis tilbehøret ikke er satt riktig på, kan det falle av og føre til personskade.

⚠FORSIKTIG: Vær forsiktig så du ikke slår hånden mot veggen e.l. når du tar av tilbehøret.

Når du bruker tilbehør med låsefunksjon

Når du skal sette på tilbehør, fører du det inn i innsugsåpningen på støvsugerens til du hører et klikk. Kontroller at tilbehøret er låst.

- **Fig.7:** 1. Innsug 2. Tilbehør med låsefunksjon 3. Krok

OBS: Når du setter på tilbehøret med låsefunksjon, må du passe på at du innretter utløserknappen på støvsugerens med kroken på tilbehøret. Hvis de ikke rettes inn, vil ikke tilbehøret bli låst og kan løsne fra støvsugerens.

Når du skal fjerne tilbehør, trekker du det av støvsugerens mens du trykker og holder inne armene på utløserknappen.

- **Fig.8:** 1. Utløserknapp 2. Arm på utløserknapp 3. Tilbehør med låsefunksjon 4. Sugeinngang

Når du bruker tilbehør uten låsefunksjon

OBS: Når du skal montere tilbehør uten låsefunksjon, setter du det inn i sugeinngangen på støvsugeren ved å vri det som vist på figuren. Når du skal ta av tilbehør, løsner du det fra støvsugeren ved å vri det som vist på figuren. Unngå å vri tilbehøret i motsatt retning av pilen på figuren, da det kan løse syklonenheten.

► Fig.9

BRUK

⚠FORSIKTIG: Ikke beveg ansiktet nær lufteventilen når du bruker støvsugeren. Hvis fremmedlegemer blåses inn i øyne kan det føre til personskader.

OBS: Unngå å bruke støvsugeren i horisontal eller oppadvendt stilling. Det kan føre til at maskefilteret blir tilstoppet.

OBS: Bruk alltid støvsugeren med filtrene installert. Hvis du bruker støvsugeren uten filtre, kan motoren svikte.

OBS: Tøm støvboksen i sykklonenheten når det har samlet seg støv. Fortsatt bruk vil føre til svekket sugkraft.

Syklonenheten bidrar til å redusere mengden støv som kommer inn i støvsugeren, og innsugingsytelsen kan forbedres ganske enkelt ved å tømme støvet.

Rengjøring (suging)

Munnstykke

Kun med 250 mL støvboks

Fest munnstykket for å støvsuge bord, møbler, osv. Det er lett å sette på munnstykket.

► Fig.10: 1. Munnstykke

Munnstykke + teleskoprør (rett rør)

Teleskoprøret passer inn mellom munnstykket og selve støvsugeren. Denne anordningen er praktisk når du vil gjøre rent på gulvet og samtidig stå oppreist.

► Fig.11: 1. Støvsugerhus 2. Teleskoprør 3. Munnstykke

Hjørnemunnstykke

Sett på hjørnemunnstykket for rengjøring av hjørner og hulrom i en bil eller i møbler.

► Fig.12: 1. Hjørnemunnstykke 2. Støvsugerhus

Du kan oppbevare hjørnemunnstykket i munnstykkeholderen.

► Fig.13: 1. Munnstykkeholder 2. Hjørnemunnstykke

⚠FORSIKTIG: Pass på at fingeren/fingrene ikke kommer i klem mellom hjørnemunnstykket og munnstykkeholderen. Å få en eller flere fingre i klem kan medføre personskader.

Hjørnemunnstykke + forlengelsesrør (rett rør)

På trange steder der støvsugeren selv ikke får plass, eller på steder som er høyt oppe og vanskelige å nå, bør du bruke denne anordningen.

► Fig.14: 1. Hjørnemunnstykke 2. Teleskoprør 3. Støvsugerhus

Støvsuge uten munnstykke

Kun med 250 mL støvboks

Du kan støvsuge pulver og støv uten munnstykke.

► Fig.15

For å sugе opp støv fra et gulv i stående stilling, lønner det seg å sette på teleskoprøret (rett rør) på støvsugeren.

► Fig.16: 1. Teleskoprør

Avhending av støv

⚠FORSIKTIG: Tøm støvsugeren før den blir for full, ellers reduseres sugekraften.

⚠FORSIKTIG: Vær forsiktig så du ikke klemmer fingrene mellom støvboksen og sykklonenheten når du setter dem sammen igjen.

Kast støvet som er oppsamlet, på følgende måte før det går over støvtømmelinjen.

1. Vend støvsugerhodet nedover, holdt godt fast i støvboksen, og trekk den så fra sykklonenheten mens du trykker og holder inne utløserknappene på begge sider av støvboksen.

► Fig.17: 1. Støvtømmelinje 2. Støvboks 3. Utløserknapper 4. Maskefilter

2. Tøm støvboksen og fjern støvet som har festet seg til maskefilteret.

► Fig.18

3. Sett støvboksen tilbake på sykklonenheten og fest den slik at den klikker på plass.

► Fig.19: 1. Støvboks 2. Utløserknapper 3. Syklonenheten

⚠FORSIKTIG: Støvet kan bli virvlet opp når det tømmes ut av støvboksen. Pass på at du ikke får støv i øynene.

OBS: Når støvboksen blir skitten, må du ta den av og vaske den med vann. Tørk støvboksen grundig før du setter den sammen igjen for bruk.

OBS: Forviss deg om at alt tilbehør og alle komponenter er godt festet før bruk.

OBS: Hvis sugekraften ikke gjenopprettes selv etter at du har tømт støvet og rengjort maskefilteret, kontrollerer du om støv har samlet seg i sykklonenheten eller om det har oppstått tilstopping.

VEDLIKEHOLD

⚠ FORSIKTIG: Forviss deg alltid om at maskinen er slått av og batteriet tatt ut før du foretar inspeksjon eller vedlikehold.

OBS: Aldri bruk gasolin, bensin, tynner alkohol eller lignende. Det kan føre til misfarging, deformering eller sprekkdannelse.

For å opprettholde produktets SIKKERHET og PÅLITELIGHET, må reparasjoner, vedlikehold og justeringer utføres av autoriserte Makita servicesentre eller fabrikkservicesentre, og det må alltid brukes reservedeler fra Makita.

Etter bruk

⚠ FORSIKTIG: Hvis du plasserer støvsugeren mot en vegg uten annen støtte, kan støvsugeren falle ned. Dette kan medføre personskafer eller at støvsugeren blir skadet.

► Fig.20

Regelmessig vedlikehold

OBS: Rengjør filtrene i sykklonenheten når de blir tilstoppet. Fortsatt bruk i tilstoppet tilstand kan føre til oppheting eller motorsvikt.

OBS: Ikke blås bort støv som sitter fast på støvsugeren og filtrene med en støvblåser. Det kan føre til at det kommer støv inn i huset, noe som kan forårsake feil.

Det er nødvendig med rutinemessig vedlikehold for å gjennopprette normal driftsfunksjon.

Støvsugerhus

Tørk av utsiden av støvsugeren (støvsugerhuset) med en klut fuktet i såpevann, og rengjør sugeåpningene.

► Fig.21

Syklonenhet og filtre

OBS: Tørk av og rengjør støv fra innsiden av sykklonenheten og filtrene når innsugingsytelsen blir mindre effektiv, uansett hvor mye støv som har samlet seg i støvboksen.

OBS: Filtrene skal tørkes grundig før bruk etter at de har blitt vasket. Filtre som ikke er tilstrekkelig tørre kan føre til dårlig sugeeffekt og forkorte motorens levetid.

OBS: Etter at du har rengjort filtrene og svampsett, må du huske å montere dem igjen før bruk. Hvis du bruker støvsugeren uten filtre og svampsett, kan støv komme inn i motorhuset og forårsake feil.

Syklonenhet

1. Slå gjentatte ganger på sykklonenheten med hånden for å fjerne støv som har festet seg til flatene på innsiden av sykklonenheten og filteret.

► Fig.22: 1. Syklonenhet

2. La sugeinngangen peke nedover, og snu sykklonenheten som vist på figuren, slik at pekeren på sykklonenheten er på linje med pekeren på støvsugerhuset for å åpne låsen. Løsne deretter sykklonenheten sakte og trekk rett ut fra støvsugerhuset.

► Fig.23: 1. Syklonenhet 2. Sugeinngang 3. Pekere 4. Filter

MERK: Støv kan bli virvlet opp når sykklonenheten demonteres. Det anbefales å sette en søppelsekk under sykklonenheten.

3. Tørk av støvet på innsiden av sykklonenheten og filteret.

► Fig.24

4. Sett sykklonenheten tilbake på støvsugerhuset, slik at pekeren på sykklonenheten er på linje med pekeren på støvsugerhuset. Vri deretter sykklonenheten som vist på figuren til den sitter godt på plass.

► Fig.25: 1. Syklonenhet 2. Støvsugerhus 3. Pekere

Høyeffektsfilter

Valgfritt tilbehør

1. Demonter sykklonenheten fra støvsugerhuset.

2. Hold i festeenden av høyeffektsfilteret og trekk det av støvsugerhuset.

► Fig.26: 1. Høyeffektsfilter 2. Støvsugerhus

3. Tørk og rist av støvet fra høyeffektsfilteret for hånd.

► Fig.27

4. Vask høyeffektsfilteret i såpevann når det er tett av støv og smuss. Tørk det grundig unna sollys før bruk.

► Fig.28

MERK: Unngå å feste tilbehørsenden (tetningsring i gummi) på høyeffektsfilteret når det henges opp til tørking.

5. Hold i festeenden av høyeffektsfilteret og press det tilbake inn i støvsugerhuset.

► Fig.29: 1. Høyeffektsfilter 2. Støvsugerhus

HEPA-filter

Valgfritt tilbehør

OBS: Ikke gni eller skrap opp HEPA-filteret med harde gjenstander, som en børste eller en spatel.

1. Demonter sykklonenheten fra støvsugerhuset.

2. Hold i festeenden av HEPA-filteret (dekket med høyeffekts-forfilter) og trekk det av støvsugerhuset.

► Fig.30: 1. HEPA-filter (dekket med høyeffekts-forfilter) 2. Støvsugerhus

3. Demonter høyeffekts-forfilteret fra HEPA-filteret ved å vri for hånd.

► Fig.31: 1. Høyeffekts-forfilter 2. HEPA-filter

4. Tørk og rist av støvet fra høyeffekts-forfilteret og HEPA-filteret for hånd.

► Fig.32

5. Vask høyeffekts-forfilteret og HEPA-filteret i såpevann. Skyll og tørk dem grundig unna sollys før bruk.

► **Fig.33**

MERK: Unngå å feste tilbehørsenden (tetningsring i gummi) på HEPA-filteret når det henges opp til tørking.

6. Fest høyeffekts-forfilteret på HEPA-filteret.

► **Fig.34:** 1. Høyeffekts-forfilter 2. HEPA-filter

7. Hold i festeenden av HEPA-filteret (dekket med høyeffekts-forfilter) og press det tilbake inn i støvsugerhuset.

► **Fig.35:** 1. HEPA-filter (dekket med høyeffekts-forfilter) 2. Støvsugerhus

Svampsett

1. Demonter sykklonenheten fra støvsugerhuset.

2. Hold i festeenden på filteret og trekk det av støvsugerhuset.

► **Fig.36:** 1. Filter 2. Støvsugerhus

3. Trekk svampsettet av sugeåpningen.

► **Fig.37:** 1. Svampsett 2. Sugeåpning

4. Tørk og rist av støvet fra svampsettet for hånd.

► **Fig.38**

5. Vask svampsettet i såpevann når det er tett av støv og smuss. Tørk det grundig unna sollys før bruk.

► **Fig.39**

6. Sett svampsettet tilbake i opprinnelig posisjon. Påse at venstre og høyre kant på svampsettet er festet med stoppere og at det ikke er noen åpning mellom svampsettet og sugeåpningen.

► **Fig.40:** 1. Svampsett 2. Stopper 3. Sugeåpning

7. Hold i festeenden av filteret og press det tilbake inn i støvsugerhuset.

► **Fig.41:** 1. Filter 2. Støvsugerhus

Tilstandsbasert vedlikehold

OBS: Rengjør maskefilteret i sykklonenheten når det blir tilstoppet. Fortsatt bruk i tilstoppet tilstand kan føre til oppheting eller motorsvikt.

Dybde- og punktrensing må utføres i henhold til verktøyets ytelse.

Maskefilter

Når støvboksen blir tilsmusset eller maskefilteret tilstoppet, tar du dem av og vasker dem med vann. (Fremgangsmåte for å ta dem av finner du under "Avhenging av støv".)

1. Ta godt tak i støvboksen og trekk den fra sykklonenhuset mens du trykker og holder inne utløserknappene på begge sider av støvboksen.

► **Fig.42:** 1. Støvboks 2. Sykklonenhus 3. Utløserknapper

2. Drei maskefilteret som vist på figuren, for å åpne låsen. Løsne det deretter fra sykklonenheten.

► **Fig.43:** 1. Maskefilter

3. Demonter maskefilteret i tre komponenter: forfilter, rørformet svampfilter og maskerør.

i Klem sammen føringsstopperne øverst på maskerøret.

ii Før føringsstopperne ned gjennom føringshullet øverst på forfilteret.

iii Trekk så forfilteret langs det rørformede svampfilteret og maskerøret.

iv Fjern det rørformede svampfilteret fra maskerøret.

► **Fig.44:** 1. Forfilter 2. Rørformet svampfilter 3. Maskerør 4. Føringsstoppere 5. Føringshull

4. Tørk og rist av støvet fra filtrene og maskerøret for hånd.

► **Fig.45**

5. Vask filtrene og maskerøret i såpevann når de er tilstoppet av støv og smuss. Tørk dem grundig unna sollys før bruk.

► **Fig.46**

6. Monter maskefilteret igjen.

i Sett det rørformede svampfilteret inn i forfilteret.

ii Sett maskerøret inn i det rørformede svampfilteret og forfilteret ved å føre føringsstopperne øverst på maskerøret gjennom føringshullet øverst på forfilteret.

iii Skyv maskerøret gjennom det rørformede svampfilteret og forfilteret til det låses på plass med et klikk.

► **Fig.47:** 1. Forfilter 2. Rørformet svampfilter 3. Maskerør 4. Føringsstoppere 5. Føringshull

7. Fest maskefilteret i sykklonenhuset igjen ved å rette inn krokene på maskefilteret med portene på sugeutløpet på sykklonenhuset. Drei maskefilteret som vist på figuren til krokene låses med et klikk. Kontroller at maskefilteret sitter som det skal.

► **Fig.48:** 1. Maskefilter 2. Sykklonenhus 3. Krok 4. Port

Luftkanaler i sykklonenhet

Fremmedlegemer som kommer inn, kan blokkere luftkanalene i sykklonenheten og begrense luftstrømmen. Fjern eventuelle hindringer i luftbanen dersom sugeytelsen er betydelig påvirket.

1. Demonter sykklonenheten i tre komponenter: støvboks, maskefilter og sykklonenhus.

► **Fig.49:** 1. Støvboks 2. Maskefilter 3. Sykklonenhus 4. Støvsugerhus

2. Trykk og hold inne føringsstopperen på innløpsrøret ned gjennom låsehullet på sykklonenhuset ved hjelp av håndverktøyet med spiss. Løsne deretter innløpsrøret fra sykklonenheten.

► **Fig.50:** 1. Innløpsrør 2. Føringsstopper 3. Sykklonenhus 4. Låsehull

3. Rens bort eventuelle fremmedlegemer fra luftkanalene.

Fremmedlegemer setter seg ofte fast rundt en luftinnløpsport.

► **Fig.51:** 1. Sugeinngang 2. Luftinnløpsport

4. Sett innløpsrøret tilbake på plass slik at det er godt låst.

► **Fig.52:** 1. Innløpsrør 2. Sykklonenhus 3. O-ring 4. Klappventil

OBS: Pass på at O-ringen og klappventilen sitter godt på plass før det settes sammen igjen.
Innsugingsytelsen kan bli påvirket hvis sykklonenheten brukes uten at O-ringen og klappventilen er på plass.

5. Sett sammen igjen sykklonenheten og fest den på støvsugerhuset.

Feilsøking

Før du bestiller reparasjon, bør du kontrollere følgende punkter.

| Symptom | Område som skal undersøkes | Løsning |
|-------------------|--|--|
| Dårlig sugekraft | Er støvboksen eller innsiden av sykklonenheten full av støv? | Tøm støvboksen eller innsiden av sykklonenheten. |
| | Er filtrene tilstoppet? | Tørk støv av eller vask høyeffektsfilter/HEPA-filter/svampset/maskefilter. |
| | Er det noe som blokkerer luftinnløpskanalene? | Fjern støv og gjenstander fra luftåpninger og kanaler. |
| | Er batteriet utladet? | Lad batteriet. |
| Fungerer ikke | Er batteriet utladet? | Lad batteriet. |
| Støy og vibrering | Er filtrene tilstoppet? | Tørk støv av eller vask høyeffektsfilter/HEPA-filter/svampset/maskefilter. |
| | Noe som blokkerer åpninger eller hull? | Rengjør støv og gjenstander fra munnstykker, rør og luftåpninger. |
| | Er sugeinngangen på munnstykket eller røret lukket? | Avdekk og åpne sugeinngangen på munnstykke og rør. |

⚠FORSIKTIG: Ikke forsøk å reparere støvsugeren selv.

VALGFRITT TILBEHØR

⚠FORSIKTIG: Det anbefales at du bruker dette tilbehøret eller verktøyet sammen med den Makita-maskinen som er spesifisert i denne håndboken. Bruk av annet tilbehør eller verktøy kan forårsake personskader. Tilbehør og verktøy må kun brukes til det formålet det er beregnet på.

Ta kontakt med ditt lokale Makita-servicesenter hvis du trenger mer informasjon om dette tilbehøret.

- Teleskoprør (rett rør)
- Munnstykke
- Teppemunnstykke
- Hyllebørste
- Hjørnemunnstykke
- Rund børste
- Fleksibel slange
- Høyeffektsfilter
- HEPA-filter
- Setedyse
- Sprekkdyse
- Verktøypose
- Makita originalbatteri og lader

MERK: Enkelte elementer i listen kan være inkludert som standardtilbehør i verktøypakken. Elementene kan variere fra land til land.

VAROITUS

- Tätä laitetta voivat käyttää myös 8-vuotiaat tai sitä vanhemmat lapset sekä henkilöt, joiden fyysiset, sensoriset tai henkiset kyvyt ovat rajoittuneet tai joilla ei ole kokemusta tai tietoa laitteen käytöstä, jos he käyttävät laitetta valvotusti tai jos heille annetaan riittävät ohjeet laitteen käyttämiseksi turvallisella tavalla ja he ymmärtävät siihen liittyvät riskit.
- Lapset eivät saa leikkiä laitteella. Lapset eivät saa puhdistaa tai huoltaa tuotetta ilman valvontaa.
- Tarkista akun tyyppi luvusta "TEKNISET TIEDOT".
- Katso akun irrotus- tai poisto-ohjeet osiosta "Akun asentaminen tai irrottaminen".
- Kun akkupaketti on hävitettävä, poista se työkalusta ja hävitä se turvallisesti. Hävitä akku paikallisten määräysten mukaisesti.
- Jos työkalua ei käytetä pitkään aikaan, akku on poistettava työkalusta.
- Älä oikosulje akkupakettia.
- Tarkista käyttäjän huoltotoimien aikana noudatettavat varoimet luvusta "KUNNOSSAPITO".

TEKNISET TIEDOT

| | | |
|--|--------------------------------|-------------|
| Malli: | CL003G | |
| Kapasiteetti | 250 mL / 400 mL (maakohtainen) | |
| Jatkuva käyttö (akulla BL4025) | 1 (Hiljainen tila) | Noin 80 min |
| | 2 (Normaali nopeustila) | Noin 40 min |
| | 3 (Suurnopeustila) | Noin 25 min |
| | 4 (Maksiminopeustila) | Noin 16 min |
| Kokonaispituus (mukana varsi, suutin ja akku BL4025) | 1 106 mm | |
| Nimellisjännite | DC 36 V – 40 V maks. | |
| Nettopaino | 1,9 - 2,6 kg | |

- Jatkuvaasta tutkimus- ja kehitystyöstämme johtuen esitetyt tekniset tiedot saattavat muuttua ilman erillistä ilmoitusta.
- Tekniset tiedot voivat vaihdella maittain.
- Paino sisältää akkupaketit, mutta ei varusteita. Kevyin ja painavin laite- ja akkupakettiyhdistelmän paino kuvataan taulukossa.

Käytettävä akkupaketti ja laturi

| | |
|-------------|---|
| Akkupaketti | BL4020* / BL4025* / BL4040* / BL4050F *: Suositeltu akku |
| Laturi | DC40RA / DC40RB / DC40RC |

- Tiettyjä yläpuolella kuvattuja akkuja ja latureita ei ehkä ole saatavana asuinalueestasi johtuen.

VAROITUS: Käytä vain edellä eriteltyjä akkupaketteja ja latureita. Muiden akkupakettien ja laturien käyttäminen voi aiheuttaa loukkaantumisen ja/tai tulipalon.

Symbolit

Laitteessa on mahdollisesti käytetty seuraavia symboleja. Opettele niiden merkitys ennen käyttöä.



Lue käyttöohje.



Tälle tuotteelle sopiva malliaku.



Ni-MH
Li-ion

Koskee vain EU-maita
Käytetyillä sähkö- ja elektroniikkalaitteilla, paristoilla ja akuilla voi olla negatiivisia ympäristö- ja terveysvaikutuksia niissä käytettyjen haitallisten osien takia.
Älä hävitä sähkö- ja elektroniikkalaitteita tai akkuja kotitalousjätteen mukana!
Vanhoja sähkö- ja elektroniikkalaitteita, paristoja ja akkuja koskevan EU-direktiivin ja sen perusteella laadittujen kansallisten lakien mukaan käytetyt sähkö- ja elektroniikkalaitteet, paristot ja akut on kierrätettävä toimittamalla ne erilliseen, ympäristönsuojelusäädösten mukaisesti toimivaan kierrätyspisteeseen.
Tämä on ilmaistu laitteessa olevalla ylivedetyn roska-astian symbolilla.

Käyttötarkoitus

Laitte on tarkoitettu kuivan pölyn imuroimiseen.

TURVAVAROITUKSET

Akkukäyttöisen pölynimurin turvallisuusohjeet

VAROITUS: LUE HUOLELLISESTI kaikki turvavaroitukset ja käyttöohjeet ENNEN KÄYTTÖÄ. Jos varoitusten ja ohjeiden noudattaminen laiminlyödyään, seurauksena voi olla sähköisku, tulipalo ja/tai vakava vammautuminen.

1. Älä altista laitetta sateelle. Säilytä laitetta sisätiloissa.
2. Älä anna lasten käyttää laitetta leluna. Noudata suurta varovaisuutta, jos annat lasten käyttää laitetta tai käytät laitetta lasten läsnäollessa.
3. Käytä laitetta vain tämän käyttöohjeen mukaisella tavalla. Käytä ainoastaan valmistajan suosittelemia lisävarusteita.
4. Älä käytä laitetta viallisen akun kanssa. Jos laite ei toimi asianmukaisesti tai se on pudonnut, vaurioitunut, jätetty ulos tai pudotettu veteen, toimita se huoltoon.
5. Älä käytä laitetta märin käsin.
6. Älä laita mitään kohteita laitteen aukkoihin. Älä käytä laitetta jos joku aukoista on tukossa: pidä aukot puhtaana pölystä, nukasta, hiuksista tai muusta, joka voi haitata ilman virtausta.
7. Pidä hiukset, vaatteet, sormet ja muut kehon osat kaukana laitteen aukoista ja liikkuvista osista.

8. Katkaise virta kaikista säätimistä ennen akun irrottamista.
9. Noudata suurta varovaisuutta portaiden imuroinnin aikana.
10. Älä käytä laitetta syttyvien tai palavien nesteiden, kuten bensiinin, keräämiseen. Älä myöskään käytä sitä tiloissa, joissa voi olla tällaisia nesteitä.
11. Käytä lataamiseen vain valmistajan toimittamaa laturia.
12. Älä kerää mitään palavaa tai savuavaa, kuten savukkeita, tultitikkuja tai kuumaa tuhkaa.
13. Älä käytä laitetta ilman pölypussia ja/tai suodattimia.
14. Älä lataa akkuja ulkona.
15. Lataa akkuja vain valmistajan määrittämällä laturilla. Tietyille akuille sopiva laturi voi aiheuttaa tulipalovaaran, jos sitä käytetään muuntotyypisen toisen akun kanssa.
16. Käytä laitteita vain määritysten mukaisten akkupakettien kanssa. Muun tyyppisten akkupakettien käyttäminen voi aiheuttaa tapaturma- tai tulipalovaaran.
17. Kun akku ei ole käytössä, säilytä se erillään metalliesineistä, kuten paperiliittimistä, kolikoista, avaimista, nauloista, ruuveista ja muista pienistä metallikappaleista, jotka voivat yhdistää akun navat.
18. Akusta voi vuotaa nestettä, jos sitä käsitellään väärin. Vältä kosketusta. Jos nestettä pääsee iholle vahingossa, huuhtelee iho vedellä.
19. Älä käytä viallista tai muunneltua akkupakettia tai laitetta. Vialliset tai muunnellut akut voivat toimia odottamattomasti aiheuttamalla tulipalo-, räjähdys- tai tapaturmavaaran.
20. Älä altista akkupakettia tai laitetta tulelle tai äärimmäsille lämpötiloille. Altistus tulelle tai yli 130 °C:n lämpötiloille voi aiheuttaa räjähdyksen.
21. Noudata kaikkia latausohjeita, äläkä lataa akkupakettia tai laitetta ohjeissa määritettyjen lämpötilarajojen ulkopuolella. Väärin tai ohjeissa määritettyjen lämpötilarajojen ulkopuolella suoritettu lataus voi aiheuttaa akkuvaurion ja kasvattaa tapaturmavaaraa.

SÄILYTÄ NÄMÄ OHJEET.

LISÄTURVALLISUUSOHJEITA

Tämä laite on tarkoitettu kotikäyttöön.

1. Lue tämä käyttöohje sekä laturin käyttöohje huolellisesti ennen käyttöä.
2. Älä kerää seuraavia aineita:
 - Kuumia aineita, esimerkiksi palavia savukkeita tai metallin hiomisesta tai työstämisestä syntyneitä kipinöitä tai metallipölyä
 - Tulenarkoja aineita, esimerkiksi moottori- tai puhdistusbensiiniä, tinneriä, petroolia tai maalia
 - Räjähäviä aineita, esimerkiksi nitroglyseriiniä
 - Herkästi syttyviä aineita, kuten alumiinia, sinkkiä, magnesiumia, titaania, fosforia tai selluloidia

- Märkkää hiekkaa tai savea, vettä, öljyä tai vastaavia aineita
- Kovia terävasärmäisiä esineitä, esimerkiksi puunsäleitä, metallinkappaleita, lasia, nauvoja, neuloja ja partakoneenteria
- Paakkuuntuvia jauheita, esimerkiksi sementtiä tai väriaineita
- Sähköä johtavaa pölyä, esimerkiksi metalli- tai hiilipölyä
- Hienojakoisia aineita, esimerkiksi betonipölyä

Tämä voi aiheuttaa tulipalon sekä henkilö- ja tai omaisuusvahinkoja.

3. Lopeta käyttö heti, jos havaitset mitään epänormaalia.
4. Jos imuri kolhiintuu tai putoaa maahan, tarkasta, tuliko siihen vaurioita, ennen kuin käytät sitä.
5. Älä käytä imuria uunien tai muiden lämmönlähteiden läheisyydessä.
6. Älä tuki ilmanottoaukkoa tai tuuletusaukkoja.

SÄILYTÄ NÄMÄ OHJEET.

Akkupakettia koskevia tärkeitä turvaohjeita

1. Ennen akun käyttöönottoa tutustu kaikkiin laturissa (1), akussa (2) ja akkukäyttöisessä tuotteessa (3) oleviin varoitusteksteihin.
2. Älä pura tai peukaloi imuria akkupakettia. Se voi johtaa tulipaloon, ylikuumenemiseen tai räjähdykseen.
3. Jos akun toiminta-aika lyhenee merkittävästi, lopeta akun käyttö. Seurauksena voi olla ylikuumeneminen, palovammoja tai jopa räjähdys.
4. Jos akkunestettä pääsee silmiin, huuhtele puhtaalla vedellä ja hakeudu välittömästi lääkäriin hoitoon. Akkuneste voi aiheuttaa näön menetyksen.
5. Älä oikosulje akkua.
 - (1) Älä koske akun napoihin millään sähköä johtavalla materiaalilla.
 - (2) Vältä akun oikosulkemista äläkä säilytä akkua yhdessä muiden metalliesineiden, kuten naujojen, kolikoiden ja niin edelleen kanssa.
 - (3) Älä aseta akkua alttiiksi vedelle tai sateelle.

Oikosulku voi aiheuttaa virtapiikin, ylikuumenemista, palovammoja tai laitteen rikkoutumisen.

6. Älä säilytä ja käytä työkalua ja akkupakettia paikassa, jossa lämpötila voi nousta 50 °C:een (122 °F) tai korkeammaksi.
7. Älä hävitä akkua polttamalla, vaikka se olisi pahoin vaurioitunut tai täysin loppuun kulunut. Avotuli voi aiheuttaa akun räjähtämisen.
8. Älä naulaa, leikkaa, purista, heitä tai pudota akkupakettia tai iske sitä kovia esineitä vasten. Tällaiset toimet voivat johtaa tulipaloon, ylikuumenemiseen tai räjähdykseen.
9. Älä käytä viallista akkua.

10. Sisältyviä litium-ioni-akkuja koskevat vaarallisten aineiden lainsäädännön vaatimukset.

Esimerkiksi kolmansien osapuolten huoltaliikkeiden tulee kaupallisissa kuljetuksissa noudattaa pakkaamista ja merkintöjä koskevia erityisvaatimuksia.

Lähetettävän tuotteen valmistelu edellyttää vaarallisten aineiden asiantuntijan neuvontaa. Huomioi myös mahdollisesti yksityiskohtaisemmat kansalliset määräykset

Akun avoimet liittimet tulee suojata teipillä tai suojuksella ja pakkaaminen tulee tehdä niin, ettei akku voi liukua pakkauksessa.

11. Kun akkupaketti on hävitettävä, poista se laitteesta ja hävitä se turvallisesti. Hävitä akku paikallisten määräysten mukaisesti.
12. Käytä akkuja vain Makitan ilmoittamien tuotteiden kanssa. Akkujen asentaminen yhteen sopimattomiin tuotteisiin voi aiheuttaa tulipalon, liiallisen ylikuumenemisen, räjähdyksen tai akkunestevuotoja.
13. Jos laitetta ei käytetä pitkään aikaan, akku on poistettava laitteesta.
14. Akkupaketin lämpötila voi käytön aikana ja sen jälkeen nousta niin kuumaksi, että se voi aiheuttaa palovammoja tai lieviä palovammoja. Käsittele kuumia akkupaketteja huolellisesti.
15. Älä kosketa työkalun liittintä välittömästi käytön jälkeen, sillä se voi olla riittävän kuuma aiheuttamaan palovammoja.
16. Älä päästä lastuja, pölyä tai maata akkupaketin liittimiin, aukkoihin ja uriin. Se voi johtaa työkalun tai akkupaketin lämpenemiseen, syttymiseen, purkautumiseen tai toimintahäiriöön, mikä voi aiheuttaa palovammoja tai vammoja.
17. Ellei työkalu tue käyttöä korkeajännitelinjojen lähellä, älä käytä akkupakettia korkeajännitelinjojen lähellä. Se voi johtaa työkalun tai akkupaketin toimintahäiriöön tai rikkoutumiseen.
18. Pidä akku poissa lasten ulottuvilta.

SÄILYTÄ NÄMÄ OHJEET.

▲HUOMIO: Käytä vain alkuperäisiä Makita-akkuja. Muiden kuin aitojen Makita-akkujen, tai mahdollisesti muutettujen akkujen käyttö voi johtaa akun murtumiseen ja aiheuttaa tulipaloja, henkilö- ja omaisuusvahinkoja. Se mitätöi myös Makita-työkalun ja -laturin Makita-takuun.

Vihjeitä akun käyttöiän pidentämiseksi

1. Lataa akku ennen kuin se purkautuu täysin. Lopeta aina työkalun käyttö ja lataa akku, jos huomaa työkalun tehon vähenevän.
2. Älä koskaan lataa uudestaan täysin ladattua akkua. Ylilataaminen lyhentää akun käyttöikä.
3. Lataa akku huoneen lämpötilassa välillä 10 °C - 40 °C. Anna kuumen akku jäähtyä ennen lataamista.
4. Irrota akkupaketti työkalusta tai laturista, kun sitä ei käytetä.
5. Lataa akkupaketti, jos et käytä sitä pitkään aikaan (yli kuusi kuukautta).

TOIMINTOJEN KUVAUS

⚠️HUOMIO: Varmista aina ennen säätöjä ja tarkastuksia, että työkalu on sammutettu ja akkupaketti irrotettu.

⚠️HUOMIO: Varo, että sormesi eivät jää imurin ja akun väliin akkua latauksen aikana kuvan osoittamalla tavalla. Sormien puristuminen voi aiheuttaa tapaturmia.

► Kuva1

Akun asentaminen tai irrottaminen

⚠️HUOMIO: Sammuta työkalu aina ennen akun kiinnittämistä tai irrottamista.

⚠️HUOMIO: Pidä työkalusta ja akusta tiukasti kiinni, kun irrotat tai kiinnität akkua. Jos akkupaketti tai työkalu putoaa, ne voivat vaurioitua tai aiheuttaa tapaturman.

► Kuva2: 1. Punainen ilmaisain 2. Painike 3. Akkupaketti

Irrota akku painamalla akun etupuolella olevaa painiketta ja vetämällä akku ulos työkalusta.

Akkupaketti asetetaan paikalleen sovittamalla akkupaketin kieleke rungon uraan ja työntämällä se sitten paikalleen. Työnnä se pohjaan asti niin, että kuulet sen napsahdavan paikoilleen. Jos näet kuvan mukaisen punaisen ilmaisimen, lukitus ei ole täysin pitävä.

⚠️HUOMIO: Työnnä akkupaketti aina pohjaan asti, niin että punainen ilmaisain ei enää näy. Jos akkupaketti ei ole kunnolla paikallaan, se voi pudota työkalusta ja aiheuttaa vammoja joko sinulle tai sivullisille.

⚠️HUOMIO: Älä käytä voimaa akun asennuksessa. Jos akku ei liu'u paikalleen helposti, se on väärässä asennossa.

Akun suojausjärjestelmä

Laitte on varustettu laitteen/akun suojausjärjestelmällä. Tämä järjestelmä pidentää laitteen ja akun käyttöikää katkaisemalla automaattisesti moottorin virran. Laitte pysähtyy automaattisesti kesken käytön, jos laitteessa tai akussa ilmenee jokin seuraavista tilanteista.

Ylikuormitus:

Työkalua/akkua käytetään tavalla, joka saa sen kuluttamaan epätavallisen paljon virtaa.

Katkaise tässä tilanteessa työkalusta virta ja lopeta ylikuormitustilan aiheuttanut käyttö. Käynnistä sitten työkalu uudelleen kytkemällä siihen virta.

Ellei työkalu käynnisty, työkalu/akku on ylikuumentunut. Tällöin työkalun/akun pitää antaa jäähtyä ennen työkalun käynnistämistä uudelleen.

Alhainen akun jännite:

Akun varaus ei riitä työkalun käyttämiseen. Irrota silloin akku ja lataa se.

Suojausjärjestelmä muista syistä vastaan:

Suojausjärjestelmä on suunniteltu myös muille syyille, jotka voivat vahingoittaa työkalua ja jotka pysäyttävät työkalun automaattisesti. Suorita kaikki seuraavat vaiheet syiden poistamiseksi, kun työkalun toiminta on pysähtynyt tilapäisesti.

1. Katkaise työkalusta virta ja käynnistä se uudelleen kytkemällä virta takaisin.
2. Lataa akut tai vaihda ne ladattuihin.
3. Anna työkalun ja akkujen jäähtyä.

Ellei suojausjärjestelmän palauttaminen auta, ota yhteys paikalliseen Makita-huoltoon.

Akun jäljellä olevan varaustason ilmaisain

Painamalla tarkistuspainiketta saat näkyviin akun jäljellä olevan varauksen. Merkkivalot palavat muutaman sekunnin ajan.

► Kuva3: 1. Merkkivalot 2. Tarkistuspainike

| Merkkivalot | | | Akussa jäljellä olevan varaus |
|-------------|-------------|---------|--|
| Palaa | Pois päältä | Viikkuu | |
| ■ ■ ■ ■ | | | 75% - 100% |
| ■ ■ ■ □ | | | 50% - 75% |
| ■ ■ □ □ | | | 25% - 50% |
| ■ □ □ □ | | | 0% - 25% |
| ▬ □ □ □ | | | Lataa akku. |
| ■ ■ □ □ | | | Akussa on saattanut olla toimintahäiriö. |
| □ □ ■ ■ | | | |

HUOMAA: Ilmoitettu varaustaso voi erota hieman todellisesta varaustasosta sen mukaan, millaisissa oloissa ja missä lämpötilassa laitetta käytetään.

HUOMAA: Ensimmäinen (vasemmanpuoleisin) merkkivalo vilkkuu, kun akun suojausjärjestelmä on toiminnassa.

Kytkimen käyttäminen

► Kuva4: 1. Imutehon vaihtopainike 2. ON/OFF-painike

Käynnistä imuri painamalla ON/OFF-painiketta. Sammuta painamalla ON/OFF-painiketta uudelleen. Voit vaihtaa imurin imutehoa nelipykäläisesti imutehon vaihtopainiketta painetta. Kukin painikkeen painallus vaihtaa hiljaisen/normaalin/suurnopeus/maksiminopeustilan välillä tässä järjestyksessä.

| Taso | Merkki | Tila |
|------|--------|---------------------|
| 1 | ☰ | Hiljainen tila |
| 2 | ☱ | Normaali nopeustila |
| 3 | ☲ | Suurnopeustila |
| 4 | ☳ | Maksiminopeustila |

HUOMAA: Imutehoa voi vaihtaa ennen imurin kytkemistä päälle.

HUOMAA: Imuri alkaa toimia samalla imuteholla, millä sitä on käytetty viimeksi.

Lampun sytyttäminen

⚠HUOMIO: Älä katso suoraan lamppuun tai valonlähteeseen.

Kytke lamppu päälle painamalla imutehon vaihtopainiketta. Lamppu sammuu automaattisesti noin 10 sekunnin kuluttua. Lamppu palaa, kun imuri on toiminnassa. Lamppu sammuu noin 10 sekunnin kuluttua toiminnan lopettamisesta.

HUOMAA: Kun akkukapasiteetti on vähissä, lamppu alkaa vilkkua. Lampun vilkkumisen alkamisajankohta vaihtelee työskentelyalueen lämpötilan ja akkupaketin tilan mukaan.

► **Kuva5:** 1. Imutehon vaihtopainike 2. ON/OFF-painike 3. Lamppu

OSIEN KUVAUS

Maakohtainen

► **Kuva6**

| | | | | | | | |
|---|---|---|--|---|----------------|---|--------------|
| 1 | 250 mL pölykotelo (lisävaruste) | 2 | 400 mL pölykotelo (lisävaruste) | 3 | Verkkosuodatin | 4 | Syklonirunko |
| 5 | Tehosuodatin (suodattimen runko näkyy harmaana) (lisävaruste) | 6 | HEPA-suodatin (suodattimen runko näkyy valkoisena) (lisävaruste) | 7 | Sienilevy | 8 | Imurin runko |
| 9 | Käsihihna (maakohtainen) | - | - | - | - | - | - |

KOKOONPANO

⚠HUOMIO: Varmista aina ennen mitään työkalulle tehtäviä toimenpiteitä, että se on sammutettu ja akku irrotettu.

HUOMAUTUS: Varmista ennen käyttöä, että kaikki lisävarusteet ja osat ovat lujasti paikallaan.

Imurin lisävarusteiden asentaminen ja poistaminen

⚠HUOMIO: Kun olet asentanut lisävarusteita, tarkista, ovatko ne turvallisesti kiinni. Jos lisävarusteet on asennettu väärin, ne voivat irrota ja aiheuttaa henkilövahinkoja.

⚠HUOMIO: Varo lyömästä kättäsi seinään ym. irrottaessasi lisävarusteita.

Lukitustoiminnolla varustetun lisävarusteen käyttö

Asenna lisävaruste paikalleen painamalla se imurin imupäähän niin, että se naksahtaa paikalleen. Varmista, että lisävaruste on lukittu.

► **Kuva7:** 1. Imupää 2. Lukitustoiminnolla varustettu lisävaruste 3. Salpa

HUOMAUTUS: Kun asennat lukitustoiminnolla varustettua lisävarustetta paikalleen, varmista, että imurin vapautuspainike on vastakkain lisävarusteen salvan kanssa. Mikäli ne eivät ole vastakkain, lisävaruste ei lukitu paikalleen ja se saattaa irrota imurista.

Kun irrotat lisävarusteen, vedä se irti imurista ja paina ja pidä samalla vapautuspainikkeen päitä.

► **Kuva8:** 1. Vapautuspainike 2. Vapautuspainikkeen pää 3. Lukitustoiminnolla varustettu lisävaruste 4. Imuaukko

Lukitustoiminnottoman lisävarusteen käyttö

HUOMAUTUS: Kun asennat lukitustoiminnottoman lisävarusteen, aseta se imurin imuaukkoon kääntäen sitä kuvan mukaisesti. Kun irrotat lisävarusteen, vapauta se imurista kääntäen sitä kuvan mukaisesti. Vältä lisävarusteen kääntämistä vastakkaiseen suuntaan kuvan nuolesta, koska tällöin sykloniyksikkö voi löystyä.

► **Kuva9**

TYÖSKENTELY

⚠HUOMIO: Älä aseta kasvoja ilma-aukkojen lähellä imurinta käytettäessä. Ilmavirta voi puhalltaa vierasesineitä ihmisten silmiin, mikä voi johtaa henkilövammoihin.

HUOMAUTUS: Vältä imurin käyttöä vaakasuorassa tai ylöspäin suuntautuvassa asennossa. Muuten verkkosuodatin voi tukkeutua.

HUOMAUTUS: Käytä imuria aina suodattimet asennettuina. Imurin käyttö ilman suodattimia voi aiheuttaa moottorin toimintahäiriön.

HUOMAUTUS: Tyhjennä sykloniyksikön pölykotelot, jos pölyä on kertynyt. Jatkuva käyttö heikentää imutehoa.

Sykloniyksikkö auttaa vähentämään imuriin menevän pölyn määrää, mikä parantaa imukykyä ja yksinkertaistaa ja helpottaa pölyn poistamista.

Puhdistus (Imurointi)

Suutin

Mukana vain 250 mL pölykotelot

Kiinnitä suutin, kun imuroit pöytiä, tasoja, huonekaluja tms. Suutin liukuu helposti.

► **Kuva10:** 1. Suutin

Suutin + jatkovarsi (suora putki)

Jatkovarsi asetetaan suuttimen ja imurin väliin. Jatkovarsi on käytännöllinen lattioiden imuroinnissa seisten.

► **Kuva11:** 1. Imurin runko 2. Jatkovarsi 3. Suutin

Kulmasuutin

Kulmasuuttimen avulla voit imuroida nurkat ja ahtaat paikat autoissa ja huonekaluissa.

► **Kuva12:** 1. Kulmasuutin 2. Imurin runko

Kulmasuuttimen voi asettaa talteen suutinpidikkeeseen.

► **Kuva13:** 1. Suutinpidikke 2. Kulmasuutin

⚠HUOMIO: Varo jättämästä sormia kulmasuuttimen ja suutinpidikkeen väliin. Sormien puristuminen voi aiheuttaa vamman.

Kulmasuutin + jatkovarsi (suora putki)

Käytä tätä kokoonpanoa, jos imuri ei muutoin mahdu kohteeseen tai jos imuroit korkealta.

► **Kuva14:** 1. Kulmasuutin 2. Jatkovarsi 3. Imurin runko

Siivous ilman suutinta

Mukana vain 250 mL pölykotelot

Jauhoa ja pölyä voi imuroida myös ilman suutinta.

► **Kuva15**

Kun imuroit pölyä lattialta seisten, on mukava kiinnittää imuriin jatkovarsi (suora putki).

► **Kuva16:** 1. Jatkovarsi

Pölyn hävittäminen

⚠HUOMIO: Tyhjennä imuri ennen sen täytymistä, jotta imuteho ei heikkene.

⚠HUOMIO: Varo, etteivät sormet jää koottaessa pölykotelon ja syklonirungon väliin.

Poista kertynyt pöly seuraavasti ennen kuin se ylittää pölynpoistorajan.

1. Suuntaa imurin pää alaspäin, pitele pölykotelosta lujasti ja vedä se irti syklonirungosta painaen ja pidellen samalla vapautuspainikkeita pölykotelon kummallakin puolella.

► **Kuva17:** 1. Pölynpoistoraja 2. Pölykotelot
3. Vapautuspainikkeet 4. Verkkosuodatin

2. Tyhjennä pölykotelot ja poista kertynyt pöly verkkosuodattimesta.

► **Kuva18**

3. Aseta pölykotelot takaisin syklonirunkoon ja kiinnitä se paikalleen, jotta se naksauttaa.

► **Kuva19:** 1. Pölykotelot 2. Vapautuspainikkeet
3. Syklonirunko

⚠HUOMIO: Pöly voi lennähtää ylös, kun se poistetaan pölykotelosta. Varo, ettei pölyä pääse silmiin.

HUOMAUTUS: Jos pölykotelot likaantuu, irrota se ja pese se vedellä. Kuivaa pölykotelot huolellisesti ennen kokoamista ja käyttöä.

HUOMAUTUS: Varmista ennen käyttöä, että kaikki lisävarusteet ja osat ovat lujasti paikallaan.

HUOMAUTUS: Jos imuteho ei palaudu pölyn poistamisen ja verkkosuodattimen puhdistamisen jälkeen, tarkista, onko syklonirungon sisään kertynyt pölyä tai onko runko tukossa.

KUNNOSSAPITO

⚠HUOMIO: Varmista aina ennen tarkastusta tai huoltoa, että työkalu on sammutettu ja akku irrotettu.

HUOMAUTUS: Älä koskaan käytä bensiiniä, ohenteita, alkoholia tai tms. aineita. Muutoin pinta voi halkeilla tai sen värit ja muoto voivat muuttua.

Tuotteen TURVALLISUUDEN ja LUOTETTAVUUDEN takaamiseksi korjaukset, muut huoltotyöt ja säädöt on teetettävä Makitan valtuutetussa huoltopisteessä Makitan varaosia käyttäen.

Käytön jälkeen

⚠HUOMIO: Jos imuri asetetaan seinää vasten ilman tukea, imuri voi kaatua, mikä voi johtaa henkilövahinkoihin tai imurin vaurioitumiseen.

► **Kuva20**

Säännölliset huoltotoimet

HUOMAUTUS: Puhdista sykloniyksikön suodattimet, jos ne ovat tukossa. Jatkuva käyttö tukentuneena voi johtaa lämpenemiseen tai moottorin toimintahäiriöön.

HUOMAUTUS: Älä puhalla imuriin ja suodattiin tarttunutta pölyä puhaltimella. Pöly kulkeutuu imurikotelon sisälle ja aiheuttaa toimintahäiriön.

Tavanomainen kunnossapito on tarpeen normaalin toiminnan palauttamiseksi.

Imurin runko

Pyyhi imurin ulkopuoli (laitekotelo) saippuavedellä kostutetulla liinalla ja puhdista imuaukot.

► Kuva21

Sykloniyksikkö ja suodattimet

HUOMAUTUS: Poista pöly ja puhdista sykloni- yksikön sisäpuoli ja suodattimet, jos imukyky on heikentynyt, oli pölykoteloon kertynyt pölyä miten paljon tahansa.

HUOMAUTUS: Kuivaa suodattimet huolellisesti pesun jälkeen, ennen kuin otat ne uudelleen käyttöön. Jos suodattimia ei ole kuivattu kunnolla, ne voivat heikentää laitteen imutehoa ja lyhentää moottorin käyttöikää.

HUOMAUTUS: Asenna suodattimet ja sienilevy puhdistamisen jälkeen takaisin ennen kuin käytät imuria. Jos imuria käytetään ilman suodattimia ja sienilevyä, moottorikoteloon pääsee pölyä, joka aiheuttaa toimintahäiriön.

Sykloniyksikkö

1. Kopauta sykloniyksikköä kädellä monta kertaa, jotta sykloniyksikön sisäpintaan ja suodattimeen tarttunut pöly irtoaa.

► Kuva22: 1. Sykloniyksikkö

2. Kun sykloni- aukko osoittaa alaspäin, käännä sykloni- yksikköä kuvan mukaisesti niin, että sykloni- yksikön viiva ja imurin rungon viiva ovat kohdakkain lukon avaimiseksi. Irrota sitten sykloni- yksikkö imurin rungosta hitaasti ja suoraan.

► Kuva23: 1. Sykloniyksikkö 2. Imuaukko 3. Viivat 4. Suodatin

HUOMAA: Pölyä voi lennähtää ulos sykloni- yksikköä irrotettaessa. On suositeltavaa asettaa roskapussi sykloni- yksikön alle.

3. Poista pöly sykloni- yksikön sisältä ja suodattimesta.

► Kuva24

4. Aseta sykloni- yksikkö takaisin imurin runkoon niin, että sykloni- yksikön viiva ja imurin rungon viiva ovat kohdakkain. Käännä sitten sykloni- yksikköä kuvan mukaisesti, kunnes se on lujasti paikallaan.

► Kuva25: 1. Sykloniyksikkö 2. Imurin runko 3. Viivat

Tehosuodatin

Lisävaruste

1. Irrota sykloni- yksikkö imurin rungosta.

2. Tartu tehosuodattimen kiinnityspäähän ja vedä suodatin erilleen imurin rungosta.

► Kuva26: 1. Tehosuodatin 2. Imurin runko

3. Pyyhi ja ravista käsin pöly tehosuodattimesta.

► Kuva27

4. Pese tehosuodatin saippuavedellä, jos se on tukossa pölyn ja lian takia. Kuivaa se huolellisesti varjossa ennen käyttöä.

► Kuva28

HUOMAA: Vältä kiinnittämästä tehosuodattimen lisälaitepäätä (kumista tiivisterengasta), kun ripustat suodattimen kuivumaan.

5. Tartu tehosuodattimen kiinnityspäähän ja purista se takaisin imurin runkoon.

► Kuva29: 1. Tehosuodatin 2. Imurin runko

HEPA-suodatin

Lisävaruste

HUOMAUTUS: Älä hierrä tai naarmuta HEPA- suodatinta kovilla esineillä, kuten harjoilla tai muilla vastaavilla.

1. Irrota sykloni- yksikkö imurin rungosta.

2. Tartu HEPA- suodattimen (tehoesisuodattimen alla) kiinnityspäähän ja vedä suodatin erilleen imurin rungosta.

► Kuva30: 1. HEPA- suodatin (tehoesisuodattimen alla) 2. Imurin runko

3. Irrota tehoesisuodatin HEPA- suodattimesta vääntämällä sitä käsin.

► Kuva31: 1. Tehoesisuodatin 2. HEPA- suodatin

4. Pyyhi ja ravista käsin pöly tehoesisuodattimesta ja HEPA- suodattimesta.

► Kuva32

5. Pese tehoesisuodatin ja HEPA- suodatin saippuavedellä. Huuhtele ja kuivaa ne huolellisesti varjossa ennen käyttöä.

► Kuva33

HUOMAA: Vältä kiinnittämästä HEPA- suodattimen lisälaitepäätä (kumista tiivisterengasta), kun ripustat suodattimen kuivumaan.

6. Kiinnitä tehoesisuodatin HEPA- suodattimeen.

► Kuva34: 1. Tehoesisuodatin 2. HEPA- suodatin

7. Tartu HEPA- suodattimen (tehoesisuodattimen alla) kiinnityspäähän ja purista se takaisin imurin runkoon.

► Kuva35: 1. HEPA- suodatin (tehoesisuodattimen alla) 2. Imurin runko

Sienilevy

1. Irrota sykloni- yksikkö imurin rungosta.

2. Tartu suodattimen kiinnityspäähän ja vedä suodatin erilleen imurin rungosta.

► Kuva36: 1. Suodatin 2. Imurin runko

3. Vedä sienilevy irti imuaukosta.
► **Kuva37:** 1. Sienilevy 2. Imuaukko
4. Pyyhi ja ravistele pöly käsin sienilevystä.
► **Kuva38**
5. Pese sienilevy saippuavedellä, jos se on tukossa pölyn ja lian takia. Kuivaa se huolellisesti varjossa ennen käyttöä.
► **Kuva39**
6. Aseta sienilevy takaisin alkuasentoonsa. Varmista, että sienilevyn vasen ja oikea reuna on kiinnitetty pidäkkeillä ja ettei sienilevyn ja imuaukon välissä ole rakoa.
► **Kuva40:** 1. Sienilevy 2. Pidäke 3. Imuaukko
7. Tartu suodattimen kiinnityspäähän ja purista se takaisin imurin runkoon.
► **Kuva41:** 1. Suodatin 2. Imurin runko

Kunnan mukainen huolto

HUOMAUTUS: Puhdista verkkosuodattimet, jos ne ovat tukossa. Jatkuva käyttö tukkeutuneena voi johtaa lämpenemiseen tai moottorin toimintahäiriöön.

Täydellinen tai osapuhdistus pitää suorittaa työkalun suorituskäyttöön mukaan.

Verkkosuodatin

Kun pölykotelo likaantuu tai verkkosuodatin tukkeutuu, irrota ne ja pese ne vedellä. (Katso irrotusohjeet kohdasta "Pölyn hävittäminen".)

1. Pitele pölykotelosta lujasti ja vedä se irti syklonirungosta painaen ja pidellen samalla vapautuspainikkeita pölykotelon kummallakin puolella.
► **Kuva42:** 1. Pölykotelo 2. Syklonirunko 3. Vapautuspainikkeet
2. Käännä verkkosuodatinta kuvan mukaisesti, jotta kotelo avautuu. Irrota se sitten syklonirungosta.
► **Kuva43:** 1. Verkkosuodatin
3. Pura verkkosuodatin kolmeen osaan: esisuodatin, putkimainen sienisuodatin ja verkkoputki.
 - i Purista verkkoputken päällä olevat ohjainpidäkkeet yhteen.
 - ii Vedä ohjainpidäkkeet alas esisuodattimen päällä olevan ohjainreiän läpi.
 - iii Vedä esisuodatinta putkimaista sienisuodatinta ja verkkoputkea myöten.
 - iv Irrota putkimainen sienisuodatin verkkoputkesta.
► **Kuva44:** 1. Esisuodatin 2. Putkimainen sienisuodatin 3. Verkkoputki 4. Ohjainpidäkkeet 5. Ohjainreikä
4. Pyyhi ja ravista käsin pöly suodattimista ja verkkoputkesta.
► **Kuva45**
5. Pese suodattimet ja verkkoputki saippuavedellä, jos pöly ja lika ovat tukkineet ne. Kuivaa ne huolellisesti varjossa ennen käyttöä.
► **Kuva46**

6. Kokoa verkkosuodatin.
 - i Työnnä putkimainen sienisuodatin esisuodattimeen.
 - ii Työnnä verkkosuodatin putkimaiseen sienisuodattimeen ja esisuodattimeen niin, että ohjainpidäkkeet verkkoputken päällä kulkevat esisuodattimen päällä olevan ohjainreiän läpi.
 - iii Paina verkkoputkea putkimaisen sienisuodattimen ja esisuodattimen läpi, kunnes se lukkiutuu naksauttaen.
► **Kuva47:** 1. Esisuodatin 2. Putkimainen sienisuodatin 3. Verkkoputki 4. Ohjainpidäkkeet 5. Ohjainreikä
7. Kiinnitä verkkosuodatin takaisin imurin runkoon niin, että verkkosuodattimen koukut ovat imurin rungon poistoaukon liitäntöjen kohdalla. Käännä verkkosuodatinta kuvan mukaisesti myötäpäivään, kunnes koukut lukkiutuvat naksauttaen. Varmista, että verkkosuodatin on tiukasti paikallaan.
► **Kuva48:** 1. Verkkosuodatin 2. Syklonirunko 3. Koukku 4. Liitäntä

Sykloniyksikön ilmanakanavat

Saapuva vierasaine voi tukkia sykloniyksikön ilmanakanavat ja hidastaa ilman virtaamista. Poista esteet ilmavirran tieltä, jos imukyky on huomattavasti heikentynyt.

1. Pura sykloniyksikkö kolmeen osaan: pölykotelo, verkkosuodatin ja syklonirunko.
► **Kuva49:** 1. Pölykotelo 2. Verkkosuodatin 3. Syklonirunko 4. Imurin runko
2. Paina ja pidä imuputken ohjainpidäkettä syklonirungon lukitusreiän läpi käyttäen suippokärkistä käsityökälyä. Irrota imuputki sitten syklonirungosta.
► **Kuva50:** 1. Imuputki 2. Ohjainpidäke 3. Syklonirunko 4. Lukitusreikä
3. Poista ilmanakanavista löytnyt vierasaine. Vierasaine juuttuu todennäköisesti imuilmaliitäntään ympärille.
► **Kuva51:** 1. Imuaukko 2. Imuilmaliitäntä
4. Työnnä imuputkea takaisin paikalleen, kunnes se lukkiutuu turvallisesti.
► **Kuva52:** 1. Imuputki 2. Syklonirunko 3. O-rengas 4. Lämpäventtiili

HUOMAUTUS: Varmista ennen kokoamista, että O-rengas ja läppäventtiili ovat lujasti paikallaan. Imukyky voi heikentyä, jos sykloniyksikköä käytetään ilman, että O-rengas ja läppäventtiili ovat paikoillaan.

5. Kokoa sykloniyksikkö ja kiinnitä se imurin runkoon.

Vianmääritys

Tarkasta seuraavat kohdat ennen korjauspyyntöä.

| Oire | Tarkastettava kohta | Korjaustapa |
|----------------|--|---|
| Heikko imuteho | Onko pölykotelo tai sykloniyksikön sisäpuoli täynnä pölyä? | Tyhjennä pölykotelo tai sykloniyksikön sisäpuoli. |
| | Ovatko suodattimet tukossa? | Poista pöly tai pese tehosuodatin/HEPA-suodatin/sienilevy/verkkosuodatin. |
| | Tukkiiko jokin imuilmakanavat? | Poista pöly ja vierasesineet ilma-aukoista ja -kanavista. |
| | Onko akkupakkaus tyhjä? | Lataa akkupakkaus. |
| Ei toimi | Onko akkupakkaus tyhjä? | Lataa akkupakkaus. |
| Melu ja värinä | Ovatko suodattimet tukossa? | Poista pöly tai pese tehosuodatin/HEPA-suodatin/sienilevy/verkkosuodatin. |
| | Tukkiiko jokin aukot tai reiät? | Poista kaikki pöly ja vierasesineet suuttimista, putkista ja ilma-aukoista. |
| | Onko suuttimen tai putken imuaukko kiinni? | Avaa suuttimen tai putken imuaukko. |

⚠HUOMIO: Älä yritä itse korjata imuria.

LISÄVARUSTEET

⚠HUOMIO: Seuraavia lisävarusteita tai laitteita suositellaan käytettäväksi tässä ohjeessa kuvatun Makita-työkalun kanssa. Muiden lisävarusteiden tai laitteiden käyttö voi aiheuttaa henkilövahinkoja. Käytä lisävarusteita ja -laitteita vain niiden käyttötarkoituksen mukaisesti.

Jos tarvitset apua tai yksityiskohtaisempia tietoja seuraavista lisävarusteista, ota yhteys paikalliseen Makitan huoltoon.

- Jatkovarsi (suora putki)
- Suutin
- Mattosuutin
- Hyllyharja
- Kulmasuutin
- Pyöreä harja
- Joustava letku
- Suurtehosuodatin
- HEPA-suodatin
- Istuinsuutin
- Rakosuulake
- Työkalulaukku
- Aito Makitan akku ja laturi

HUOMAA: Jotkin luettelossa mainitut varusteet voivat sisältyä työkalun toimitukseen vakiovarusteina. Ne voivat vaihdella maittain.

ADVARSEL

- Dette apparat kan bruges af børn fra 8 år og derover og personer med nedsatte fysiske, sensoriske eller mentale evner eller manglende erfaring og viden, hvis de er under opsyn eller har modtaget instruktioner i sikker anvendelse af apparatet og forstår de farer, der er involveret.
- Børn må ikke lege med apparatet. Rengøring og brugervedligeholdelse må ikke udføres af børn uden opsyn.
- Se kapitlet "SPECIFIKATIONER" for batteriets typereference.
- Se afsnittet "Installation eller fjernelse af akkuen" for at finde ud af, hvordan man fjerner eller installerer batteriet.
- Når du bortskaffer akkuen, skal du afmontere den fra maskinen og bortskaffe den på et sikkert sted. Følg dine lokale regler vedrørende bortskaffelse af batterier.
- Hvis maskinen ikke skal bruges i en længere periode, skal batteriet fjernes fra maskinen.
- Akkuen må ikke kortsluttes.
- Se kapitlet "VEDLIGEHOLDELSE" for at få de relevante oplysninger om forholdsregler under brugervedligeholdelse.

SPECIFIKATIONER

| | | |
|---|---------------------------------|------------|
| Model: | CL003G | |
| Kapacitet | 250 ml / 400 ml (landespecifik) | |
| Kontinuerlig anvendelse (med batteri BL4025) | 1 (Stilletilstand) | Ca. 80 min |
| | 2 (Normal hastighedstilstand) | Ca. 40 min |
| | 3 (Høj hastighedstilstand) | Ca. 25 min |
| | 4 (Maks. hastighedstilstand) | Ca. 16 min |
| Samlet længde (med rør, mundstykke og batteri BL4025) | 1.106 mm | |
| Mærkespænding | D.C. Maks. 36 V - 40 V | |
| Nettovægt | 1,9 - 2,6 kg | |

- På grund af vores kontinuerlige forsknings- og udviklingsprogrammer kan hosstående specifikationer blive ændret uden varsel.
- Specifikationer kan variere fra land til land.
- Vægten inkluderer akku(er), men ikke tilbehør. Vægten af den letteste og tungeste kombination af apparat og akku(er) er vist i tabellen.

Anvendelig akku og oplader

| | |
|---------|--|
| Akku | BL4020* / BL4025* / BL4040* / BL4050F * : Anbefalet batteri |
| Oplader | DC40RA / DC40RB / DC40RC |

- Nogle af de akkuer og opladere, der er angivet ovenfor, er muligvis ikke tilgængelige, afhængigt af hvilket område du bor i.

⚠ADVARSEL: Brug kun de akkuer og opladere, der er angivet ovenfor. Brug af andre akkuer og opladere kan medføre personskade og/eller brand.

Symboler

Følgende viser de symboler, der muligvis anvendes til udstyret. Sørg for, at du forstår deres betydning før brugen.



Læs betjeningsvejledningen.



Et repræsentativt batteri, der kan anvendes til dette produkt.



Kun for lande inden for EU
På grund af tilstedeværelsen af farlige komponenter i udstyret kan affald af elektrisk og elektronisk udstyr, akkumulatører og batterier have en negativ indvirkning på miljøet og folkesundheden.
Bortskaf ikke elektriske og elektroniske apparater eller batterier sammen med husholdningsaffald!
I overensstemmelse med EF-direktiv om affaldshåndtering af elektrisk og elektronisk udstyr og om akkumulatører og batterier og affaldsakkumulatører og -batterier, og i overensstemmelse med national lovgivning, skal brugt elektrisk udstyr, batterier og akkumulatører opbevares separat og leveres til et separat indsamlingssted for kommunalt affald, der er etableret i henhold til bestemmelserne om miljøbeskyttelse. Dette er angivet ved symbolet på den krydsede skraldespand, der er placeret på udstyret.

Tilsigtet anvendelse

Denne maskine er beregnet til opugning af tørt støv.

SIKKERHEDSADVARSLER

Sikkerhedsadvarsler for akku støvsuger

⚠ ADVARSEL: VIGTIGT! LÆS OMHYGGELIGT alle sikkerhedsadvarsler og alle instruktioner FØR BRUGEN. Hvis advarslerne og instruktionerne ikke overholdes, kan det medføre elektrisk stød, brand og/eller alvorlig personskade.

1. Udsæt ikke for regn. Opbevares inden døre.
2. Må ikke benyttes som legetøj. Nøje overvågning er nødvendig, hvis den anvendes af eller i nærheden af børn.
3. Anvend kun som beskrevet i denne brugsvejledning. Anvend kun tilbehørsdele, som anbefales af fabrikanten.
4. Anvend ikke med et beskadiget batteri. Hvis apparatet ikke virker, som det skal, er blevet tabt, beskadiget, efterladt uden døre eller har været tabt i vand, skal det indleveres til et servicecenter.
5. Rør ikke ved apparatet med våde hænder.
6. Stik ikke nogen genstande ind i åbningerne. Anvend ikke med blokerede åbninger. Hold dem fri for støv, fnug, hår og alt, hvad der kan hindre luftstrømmen.

7. Hold hår, løse beklædningsgenstande, fingre og alle kropsdeler på god afstand af åbningerne og de bevægende dele.
8. Deaktiver alle kontroller, inden batteriet tages ud.
9. Udvis ekstra forsigtighed ved rengøring på trapper.
10. Anvend ikke til at opsuge brændbare eller letantændelige væsker som for eksempel benzin, og anvend ikke på steder, hvor disse væsker kan forefindes.
11. Anvend kun den oplader, som leveres af fabrikanten, til genopladning.
12. Opsug ikke noget, som brænder eller ryger, for eksempel cigaretter, tændstikker eller varm aske.
13. Anvend ikke, uden at støvposen og/eller filtrene er sat på plads.
14. Oplad ikke batteriet uden døre.
15. Genoplad kun med den oplader, der er angivet af fabrikanten. En oplader, der er beregnet til én type akku, kan forårsage risiko for brand, hvis den bruges med en anden akku.
16. Brug kun apparater med specifikt udpegede akkuer. Brug af andre akkuer kan medføre risiko for personskade og brand.
17. Når akkuen ikke anvendes, skal du holde den på afstand af andre metalgenstande som f.eks. papirclips, mønter, nøgler, søm, skruer eller andre små metalgenstande, der kan skabe forbindelse fra én terminal til en anden.
18. Ved misbrug kan der sprøjte væske ud fra batteriet. Undgå kontakt. Skyl med vand i tilfælde af kontakt.
19. Undlad at bruge en akku eller et apparat, der er beskadiget eller ændret. Beskadigede eller ændrede batterier kan udvise uforudsigelig adfærd, der resulterer i brand, eksplosion eller risiko for personskade.
20. Undlad at udsætte en akku eller et apparat for brand eller for høj temperatur. Eksposering for brand eller temperaturer over 130 °C kan forårsage eksplosion.
21. Følg alle opladningsinstruktioner, og undlad at oplade akkuen eller apparatet uden for det temperaturområde, der er angivet i instruktionerne. Forkert opladning eller ved temperaturer uden for det angivne område kan beskadige batteriet og øge risikoen for brand.

GEM DENNE BRUGSANVISNING.

SUPPLERENDE SIKKERHEDSREGLER

Dette apparat er beregnet til husholdningsbrug.

1. Læs denne brugsvejledning og instruktionerne for opladning grundigt inden brugen.
2. Undlad at samle følgende materialer op:
 - Varme materialer som for eksempel tændte cigaretter eller gnister/metalstøv, som er frembragt ved slibning/skæring af metal
 - Brændbare materialer som for eksempel benzin, fortynder, rensebenzin, petroleum og maling
 - Eksplosive materialer som for eksempel nitroglycerin

- Antændelige materialer som for eksempel aluminium, zink, magnesium, titan, fosfor eller celluloid
 - Våd snavs, vand, olie eller lignende
 - Hårde genstande med skarpe kanter som for eksempel træspåner, metal, sten, glas, søm, knappenåle og barberblade
 - Pulver, der størkner, for eksempel cement og toner
 - Ledende støv som for eksempel metal eller kulfiber
 - Fine partikler som for eksempel betonstøv
- Dette kan forårsage brand, personskade og/eller materiel skade.
3. Hold øjeblikkeligt op med brugen, hvis du registrerer noget unormalt.
 4. Hvis du kommer til at tabe eller støde til støvsugeren, skal du omhyggeligt efterse den for revner eller anden beskadigelse inden brugen.
 5. Hold den på god afstand af ovne og andre varmekilder.
 6. Undlad at blokere indsugningsåbningen eller ventilationshullerne.

GEM DENNE BRUGSANVISNING.

Vigtige sikkerhedsinstruktioner for akkuen

1. Læs alle instruktioner og advarselmærkater på (1) akku-opladeren, (2) akkuen og (3) produktet, som anvender akku.
2. Adskil eller ændr ikke akkuen. Det kan muligvis resultere i en brand, overdreven varme eller eksplosion.
3. Hold straks op med anvendelsen, hvis brugstiden er blevet stærkt afkortet. Fortsæt anvendelse kan resultere i risiko for overophedning, forbrændinger og endog eksplosion.
4. Hvis De har fået elektrolytvæske i øjnene, skal De straks skylle den ud med rent vand og derefter øjeblikkeligt søge lægehjælp. I modsat fald kan De miste synet.
5. Vær påpasselig med ikke at komme til at kortslutte akkuen:
 - (1) Rør ikke ved terminalerne med noget ledende materiale.
 - (2) Undgå at opbevare akkuen i en beholder sammen med andre genstande af metal, for eksempel søm, mønter og lignende.
 - (3) Udsæt ikke akkuen for vand eller regn.
 Kortslutning af akkuen kan forårsage en kraftig øgning af strømmen, overophedning, mulige forbrændinger og endog værktøjstop.
6. Opbevar og brug ikke maskinen og akkuen på steder, hvor temperaturen muligvis kan nå eller overstige 50 °C.
7. Lad være med at brænde akkuen, selv ikke i tilfælde, hvor den har lidt alvorlig skade eller er fuldstændig udtjent. Akkuen kan eksplodere, hvis man forsøger at brænde den.
8. Slå ikke søm i, skær ikke i, knus, kast, tab ikke akkuen og stød ikke akkuen mod en hård genstand. Sådant adfærd kan muligvis resultere i en brand, overdreven varme eller eksplosion.
9. Anvend ikke en beskadiget akku.

10. De indbyggede litium-ion-batterier er underlagt lovkrav vedrørende farligt gods. Ved kommerciel transport, f.eks. af tredjeparts transportselskaber, skal særlige krav til forpakning og mærkning overholdes. Ved forberedelse af udstyret til forsendelse skal du kontakte en ekspert i farligt gods. Overhold også eventuel mere detaljeret national lovgivning. Tape eller tildæk åbne kontakter, og pak batteriet på en måde, så det ikke kan flytte sig rundt i pakningen.
11. Når akkuen bortskaftes, skal du fjerne den fra maskinen og bortskaft den på et sikkert sted. Følg de lokale love vedrørende bortskaftelsen af batterier.
12. Brug kun batterierne med de produkter, som Makita specificerer. Hvis batterierne installeres i ikke-kompatible produkter, kan det medføre brand, kraftig varme, eksplosion eller udsivning af elektrolyt.
13. Hvis maskinen ikke skal bruges i længere tid ad gangen, skal du fjerne batteriet fra maskinen.
14. Akkuen kan muligvis under og efter brug være varm, hvilket kan forårsage forbrændinger eller lavtemperaturforbrændinger. Vær påpasselig med håndtering af varme akkuer.
15. Rør ikke terminalen på maskinen straks efter brug, da den bliver varm nok til at forårsage forbrændinger.
16. Sørg for, at spåner, støv eller jord ikke sætter sig fast i akkuens terminaler, huller og riller. Det kan forårsage opvarmning, antændelse, sprængning og funktionsfejl i maskinen eller akkuen, hvilket kan medføre forbrændinger eller personskade.
17. Medmindre maskinen understøtter brugen i nærheden af elektriske højspændingsledninger, skal du ikke anvende akkuen i nærheden af elektriske højspændingsledninger. Det kan muligvis medføre funktionsfejl på eller nedbrud af maskinen eller akkuen.
18. Opbevar batteriet utilgængeligt for børn.

GEM DENNE BRUGSANVISNING.

⚠FORSIGTIG: Brug kun originale batterier fra Makita. Brug af uoriginale Makita-batterier, eller batterier som er blevet ændret, kan muligvis medføre brud på batteriet, hvilket kan forårsage brand, personskade eller beskadigelse. Det ugyldiggør også Makita-garantien for Makita-maskinen og opladeren.

Tips til opnåelse af maksimal akku-levetid

1. Oplad akkuen, inden den er helt afladet. Stop altid værktøjet, og oplad akkuen, hvis De bemærker, at værktøjeffekten er aftagende.
2. Genoplad aldrig en fuldt opladet akku. Overopladning vil afkorte akkuens levetid.
3. Oplad akkuen ved stuetemperatur ved 10 °C - 40 °C. Lad altid en varm akku få tid til at køle af, inden den oplades.
4. Når du ikke anvender akkuen, skal du fjerne den fra maskinen eller opladeren.
5. Oplad akkuen, hvis De ikke skal bruge den i længere tid (mere end seks måneder).

FUNKTIONSBESKRIVELSE

⚠️FORSIGTIG: Sørg altid for at maskinen er slukket, og at akkuen er taget ud, før der udføres justering eller kontrol af funktioner på maskinen.

⚠️FORSIGTIG: Vær påpasselig med ikke at få fingrene i klemme mellem støvsugeren og batteriet som vist på illustrationen, når du sætter batteriet i. Hvis du får fingrene i klemme, kan det medføre personskaade.

► Fig.1

Isætning eller fjernelse af akkuen

⚠️FORSIGTIG: Sluk altid for værktøjet, før De monterer eller fjerner akkuen.

⚠️FORSIGTIG: Hold værktøjet og akkuen fast ved montering eller fjernelse af akkuen. Hvis De ikke holder værktøjet og akkuen fast, kan de glide ud af hænderne på Dem og forårsage beskadigelse af værktøjet og akkuen eller personskaade.

► Fig.2: 1. Rød indikator 2. Knap 3. Akku

Akkuen fjernes ved, at De trækker den ud af værktøjet, idet De skyder knappen på forsiden af akkuen i stilling.

For at montere akkuen skal du justere tungen på akkuen med rillen i huset og skubbe den på plads. Indsæt den hele vejen, indtil den låses på plads med et lille klik. Hvis du kan se den røde indikator, som vist i figuren, er den ikke helt låst.

⚠️FORSIGTIG: Monter altid akkuen helt, indtil den røde indikator ikke længere er synlig. Hvis dette ikke gøres, kan den falde ud af værktøjet ved et uheld, hvorved De selv eller personer i nærheden kan komme til skade.

⚠️FORSIGTIG: Brug ikke magt ved montering af akkuen. Hvis akkuen ikke glider på plads uden problemer, betyder det, at den ikke sættes i på korrekt vis.

Batteribeskyttelsessystem

Maskinen er forsynet med et beskyttelsessystem til maskine/batteri. Systemet afbryder strømmen til motoren for at forlænge maskinens og batteriets levetid. Maskinen stopper automatisk under driften, hvis maskinen eller batteriet udsættes for et af de følgende forhold.

Overbelastet:

Maskinen/batteriet anvendes på en måde, der får den til at bruge unormalt meget strøm.

Sluk i så fald for maskinen, og stop den anvendelse, der medførte, at maskinen blev overbelastet. Tænd derefter for maskinen for at starte igen.

Hvis maskinen ikke starter, er maskinen/batteriet overophedet. I denne situation skal du lade maskinen/batteriet køle af, før du tænder for maskinen igen.

Lav spænding på akkuen:

Den resterende batteriladning er for lav, og maskinen vil ikke fungere. I denne situation skal De fjerne og oplade akkuen.

Beskyttelse mod andre årsager:

Beskyttelsessystemet er også designet til andre årsager, der kan beskadige maskinen og gør det muligt for maskinen at stoppe automatisk. Træf alle følgende foranstaltninger for at fjerne årsagerne, når maskinen midlertidigt er blevet bragt til standsning eller stoppet i drift.

1. Sluk for maskinen, og tænd den igen for at genstarte.
2. Oplad batteriet/batterierne eller udskift det/dem med genopladedt/genopladede batteri/batterier.
3. Lad maskinen og batteriet/batterierne køle af.

Hvis der ikke kan findes nogen forbedring ved at genoprette beskyttelsessystemet, skal det lokale Makita-servicecenter kontaktes.

Indikation af den resterende batteriladning

Tryk på kontrolknappen på akkuen for at få vist den resterende batteriladning. Indikatorlampen lyser i nogle sekunder.

► Fig.3: 1. Indikatorlamper 2. Kontrolknop

| Indikatorlamper | | | Resterende ladning |
|-----------------|---------|---------|-----------------------------------|
| Tændt | Slukket | Blinker | |
| | | | 75% til 100% |
| | | | 50% til 75% |
| | | | 25% til 50% |
| | | | 0% til 25% |
| | | | Genoplad batteriet. |
| | | | Der er muligvis fejl i batteriet. |
| | | | |

BEMÆRK: Afhængigt af brugsforholdene og den omgivende temperatur kan indikationen afvige en smule fra den faktiske ladning.





BEMÆRK: Den første indikatorlampe (længst mod venstre) vil blinke, når batteribeskyttelsessystemet aktiveres.

Afbryderbetjening

- **Fig.4:** 1. Knap til ændring af sugekraft 2. TÆND/SLUK-knap

For at starte støvsugeren skal du blot trykke på TÆND/SLUK-knappen. Tryk på TÆND/SLUK-knappen igen for at slukke.

Du kan ændre støvsugerens sugekraft i fire trin ved at trykke på knappen til ændring af sugekraft. Hvert tryk på denne knap gentager tilstanden Stille/ Normal/Høj/ Maks. i en cyklus.

| Niveau | Indikation | Tilstand |
|--------|---|---------------------------|
| 1 |  | Stilletilstand |
| 2 |  | Normal hastighedstilstand |
| 3 |  | Høj hastighedstilstand |
| 4 |  | Maks. hastighedstilstand |

BEMÆRK: Du kan ændre sugekraften inden du tænder for støvsugeren.

BEMÆRK: Støvsugeren starter med at fungere med samme sugekraft som den der blev anvendt ved sidste operation.

Tænding af lampen

⚠FORSIGTIG: Kig aldrig direkte på lyskilden. Lad ikke lyset falde i Deres øjne.

For at tænde lampen skal du trykke på knappen til ændring af sugekraft. Lampen slukkes efter cirka 10 sekunder.

Når støvsugeren er tændt er lampen tændt. Lampen slukkes cirka 10 sekunder efter støvsugeren slukkes.

BEMÆRK: Når den resterende batteriladning bliver lav begynder lampen at blinke. Timingen, hvormed lampen begynder at blinke, afhænger af temperaturen på arbejdspladsen og akkuens tilstand.

- **Fig.5:** 1. Knap til ændring af sugekraft 2. TÆND/SLUK-knap 3. Lampe

BESKRIVELSE AF DELENE

Landespecifik

- **Fig.6**

| | | | | | | | |
|---|--|---|---|---|-----------|---|-------------------|
| 1 | 250 ml støvbakke (ekstraudstyr) | 2 | 400 ml støvbakke (ekstraudstyr) | 3 | Trådsi | 4 | Cyklonkabinet |
| 5 | Højtydende filter (filterramme i grå) (ekstraudstyr) | 6 | HEPA-filter (filterramme i hvid) (ekstraudstyr) | 7 | Svampeark | 8 | Støvsuger-kabinet |
| 9 | Håndstrop (landespecifik) | - | - | - | - | - | - |

SAMLING

⚠FORSIGTIG: Sørg altid for at maskinen er slukket, og at akkuen er taget ud, før der udføres noget arbejde på maskinen.

BEMÆRKNING: Sørg for, at alle tilbehør og komponenter er fastgjort korrekt på plads før brug.

Montering og afmontering af støvsugertilbehør

⚠FORSIGTIG: Når du har monteret tilbehøret, skal du kontrollere, om det er monteret forsvarligt. Hvis tilbehøret er monteret ufuldstændigt, kan det løse sig og forårsage personskade.

⚠FORSIGTIG: Vær forsigtig med ikke at ramme hånden på væggen osv., når du afmonterer tilbehøret.

Ved brug af tilbehør med låsefunktion

For at montere tilbehøret skal du sætte det ind i støvsugerens sugeåbning, indtil det klikker. Sørg for, at tilbehøret er låst.

- **Fig.7:** 1. Sugeåbning 2. Tilbehør med låsefunktion 3. Krog

BEMÆRKNING: Når du monterer tilbehøret med låsefunktion, skal du sørge for at justere udløserknappen på støvsugeren med krogen på tilbehøret. Hvis de ikke er justeret, vil tilbehøret ikke blive låst og kan løse sig fra støvsugeren.

Tilbehøret afmonteres ved at trække det af støvsugeren, mens du trykker på og holder armene på udløserknappen nede.

- **Fig.8:** 1. Udløserknap 2. Arm på udløserknap 3. Tilbehør med låsefunktion 4. Sugeåbning

Når du bruger tilbehør uden låsefunktion

BEMÆRKNING: Hvis du vil montere tilbehør uden låsefunktion, skal du indsætte det i støvsugerens sugeåbning ved at dreje det som vist på figuren. Hvis du vil afmontere tilbehøret, skal du frigøre det fra støvsugeren ved at dreje det som vist på figuren. Undgå at dreje tilbehøret i modsat retning af pilen på figuren, da det kan løse cyklonenheden.

► Fig.9

ANVENDELSE

⚠FORSIGTIG: Hold dit ansigt på afstand af ventilationsåbningen, når du bruger støvsugeren. Hvis der blæses fremmedlegemer ind i øjnene, kan det medføre personskade.

BEMÆRKNING: Undgå at bruge støvsugeren i en vandret eller opadgående position. Det kan i modsat fald medføre tilstopning af trådsien.

BEMÆRKNING: Brug altid støvsugeren med filtre monteret. Brug af støvsugeren uden filtre kan resultere i en motorfejl.

BEMÆRKNING: Tøm støvbakken i cyklonenheden, når der har samlet sig støv. Fortsat brug vil resultere i svækket sugekraft.

Cyklonenheden hjælper med at reducere mængden af støv, der trænger ind i støvsugeren, hvilket forbedrer sugeevnen med enkel og nem bortskaffelse af støv.

Rengøring (sugning)

Mundstykke

Kun med 250 ml støvbakke

Sæt mundstykket på for at rengøre borde, skriveborde, møbler og lignende. Mundstykket glider let på.

► Fig.10: 1. Mundstykke

Mundstykke + Forlængerstav (lige rør)

Forlængerstaven sættes ind mellem mundstykket og selve støvsugeren. Dette arrangement er praktisk ved rengøring af et gulv i stående stilling.

► Fig.11: 1. Støvsugerkabinet 2. Forlængerstav 3. Mundstykke

Hjørnemundstykke

Monter hjørnemundstykket til rengøring af hjørner og kroge i en bil eller møbler.

► Fig.12: 1. Hjørnemundstykke 2. Støvsugerkabinet

Du kan opbevare hjørnemundstykket i dyseholderen.

► Fig.13: 1. Dyseholder 2. Hjørnemundstykke

⚠FORSIGTIG: Pas på ikke at klemme fingeren (fingerne) mellem hjørnemundstykket og dyseholderen. En finger (finger), som kommer i klemme, kan forårsage personskade.

Hjørnemundstykke + forlængerstav (lige rør)

Anvend dette arrangement på trange steder, hvor selve støvsugeren ikke kan komme ind, eller på højtliggende steder, hvor det er svært at nå op.

► Fig.14: 1. Hjørnemundstykke 2. Forlængerstav
3. Støvsugerkabinet

Rengøring uden mundstykke

Kun med 250 ml støvbakke

Det er muligt at opsamle pulver og støv uden et mundstykke.

► Fig.15

Til opsugning af støv på et gulv i stående position er det praktisk at fastgøre forlængerstaven (lige rør) til støvsugeren.

► Fig.16: 1. Forlængerstav

Bortskaffelse af støv

⚠FORSIGTIG: Tøm støvsugeren, inden den bliver for fuld, ellers formindskes sugekraften.

⚠FORSIGTIG: Pas på ikke at klemme fingeren eller fingrene mellem støvbakken og cyklonkabinettet ved genmontering.

Bortskaf ophobet støv som følger, før det overstiger linjen til bortskaffelse af støv.

1. Ret støvsugerhovedet nedad, hold godt fast i støvbakken og træk den derefter væk fra cyklonkabinettet, mens du trykker på og holder udløserknapperne på begge sider af støvbakken.

► Fig.17: 1. Linje til bortskaffelse af støv 2. Støvbakke
3. Udløserknapper 4. Trådsien

2. Tøm støvbakken, og rens det fastsiddende støv fra trådsien.

► Fig.18

3. Sæt støvbakken tilbage på cyklonkabinettet for at fastgøre den på plads med klik.

► Fig.19: 1. Støvbakke 2. Udløserknapper
3. Cyklonkabinet

⚠FORSIGTIG: Støvet kan flyve op, når det fjernes fra støvbakken. Pas på, at du ikke får støvet i øjnene.

BEMÆRKNING: Når støvbakken bliver snavset, skal den afmonteres og vaskes med vand. Tør støvbakken grundigt før genmontering og brug.

BEMÆRKNING: Sørg for, at alle tilbehør og komponenter er fastgjort korrekt på plads før brug.

BEMÆRKNING: Hvis sugekraften ikke genoprettes, selv efter at støvet er fjernet og trådsien er rengjort, skal du kontrollere, om der har samlet sig støv inde i cyklonkabinettet, eller om der er opstået tilstopning.

VEDLIGEHOELDELSE

⚠FORSIGTIG: Vær altid sikker på, at værktøjet er slukket, og at akkuen er taget ud, inden De begynder at udføre inspektion eller vedligeholdelse.

BEMÆRKNING: Anvend aldrig benzin, rensebenzin, fortynder, alkohol og lignende. Det kan medføre misfarvning, deformation eller revner.

For at opretholde produktets SIKKERHED og PÅLIDELIGHED må reparationer, enhver anden vedligeholdelse eller justering kun udføres af et autoriseret Makita servicecenter eller fabrikksservicecenter med anvendelse af Makita reservedele.

Efter brugen

⚠FORSIGTIG: Hvis støvsugeren stilles op ad væggen uden nogen anden støtte, kan det medføre, at støvsugeren vælter, hvilket kan medføre personskade eller beskadigelse af støvsugeren.

► Fig.20

Regelmæssig vedligeholdelse

BEMÆRKNING: Rens filtrene i cyklonenheden, når de bliver tilstoppet. Fortsat brug i tilstoppet tilstand kan resultere i ophedning eller motorfejl.

BEMÆRKNING: Undlad at blæse støv, der sidder fast på støvsugeren og filtrene, ved hjælp af en luftblæser. Det blæser støv ind i kabinettet og forårsager fejl.

Rutinemæssig vedligeholdelse er nødvendig for at genoprette normale driftsforhold.

Støvsugerkabinettet

Aftør ydersiden (støvsugerkabinettet) af støvsugeren med en klud, der er fugtet med sæbevand, og rengør sugeåbningerne.

► Fig.21

Cyklonenhed og filtre

BEMÆRKNING: Fjern støv og rens inde i cyklonenheden og filtrene, når sugeevnen bliver mindre effektiv, uanset hvor meget støv, der er opsamlet i støvbakken.

BEMÆRKNING: Når du har vasket filtrene, skal du tørre dem grundigt før brug. Utilstrækkeligt tørrede filtre kan medføre dårlig sugning og forkorte motorens levetid.

BEMÆRKNING: Når du har rensede filtre og svampeark, skal du sørge for at genmontere dem før brug. Hvis du bruger støvsugeren uden filtre og svampeark, kommer der støv ind i motorhuset og forårsager funktionsfejl.

Cyklonenhed

1. Bank flere gange på cyklonenheden med hånden for at fjerne støv, der sidder fast på cyklonenhedens og filterets indvendige overflade.

► Fig.22: 1. Cyklonenhed

2. Med sugeåbningen pegende nedad drejes cyklonenheden som vist på figuren, så pilen på cyklonenheden flugter med pilen på støvsugerkabinettet for at frigøre låsen. Tag derefter cyklonenheden langsomt og lige ud af støvsugerkabinettet.

► Fig.23: 1. Cyklonenhed 2. Sugeåbning 3. Pile 4. Filter

BEMÆRK: Der kan flyve støv ud, når cyklonenheden skilles ad. Det anbefales at placere en affaldspose under cyklonenheden.

3. Støv af inde i cyklonenheden og filteret.

► Fig.24

4. Sæt cyklonenheden tilbage på støvsugerkabinettet, så pilen på cyklonenheden flugter med pilen på støvsugerkabinettet. Drej derefter cyklonenheden som vist på figuren, indtil den er fastgjort på plads.

► Fig.25: 1. Cyklonenhed 2. Støvsugerkabinettet 3. Pile

Højtydende filter

Ekstraudstyr

1. Afmonter cyklonenheden fra støvsugerkabinettet.

2. Hold fast i monteringsenden af det højtydende filter, og træk det væk fra støvsugerkabinettet.

► Fig.26: 1. Højtydende filter 2. Støvsugerkabinettet

3. Aftør og ryst støvet af det højtydende filter med hånden.

► Fig.27

4. Vask det højtydende filter i sæbevand, når det er tilstoppet med støv og snavs. Tør det grundigt i skyggen før brug.

► Fig.28

BEMÆRK: Undgå at fastgøre fastgørelsesenden (gummitætningsring) på det højtydende filter, når det hænges op til tørring.

5. Hold fast i monteringsenden af det højtydende filter, og klem det tilbage ind i støvsugerkabinettet.

► Fig.29: 1. Højtydende filter 2. Støvsugerkabinettet

HEPA-filtre

Ekstraudstyr

BEMÆRKNING: Undlad at gnubbe eller ridse HEPA-fileret med hårde genstande som f.eks. en børste og et banketræ.

1. Afmonter cyklonenheden fra støvsugerkabinettet.

2. Hold fast i HEPA-filterets monteringsende (dækket med højtydende forfilter), og træk det væk fra støvsugerkabinettet.

► Fig.30: 1. HEPA-filter (dækket med højtydende forfilter) 2. Støvsugerkabinettet

3. Afmonter det højtydende forfilter fra HEPA-filteret ved at dreje det med hånden.

► Fig.31: 1. Højtydende forfilter 2. HEPA-filter

4. Aftør og ryst støvet af det højtydende forfilter og HEPA-filteret med hånden.

► **Fig.32**

5. Vask det højtydende forfilter og HEPA-filteret i sæbevand. Skyl og tør dem grundigt i skyggen før brug.

► **Fig.33**

BEMÆRK: Undgå at fastgøre HEPA-filterets fastgørelsesende (gummitætningsring), når det hænges op til tørring.

6. Fastgør det højtydende forfilter på HEPA-filteret.

► **Fig.34:** 1. Højtydende forfilter 2. HEPA-filter

7. Hold fast i HEPA-filterets monteringsende (dækket med højtydende forfilter), og klem det tilbage ind i støvsugerkabinettet.

► **Fig.35:** 1. HEPA-filter (dækket med det højtydende forfilter) 2. Støvsugerkabinettet

Svampeark

1. Afmonter cyklonenheden fra støvsugerkabinettet.

2. Hold fast i filterets monteringsende, og træk den væk fra støvsugerkabinettet.

► **Fig.36:** 1. Filter 2. Støvsugerkabinettet

3. Træk svampearket af sugeåbningen.

► **Fig.37:** 1. Svampeark 2. Sugeåbning

4. Aftør og ryst støvet af svampearket med hånden.

► **Fig.38**

5. Vask svampearket i sæbevand, når det er tilstoppet med støv og snavs. Tør det grundigt i skyggen før brug.

► **Fig.39**

6. Sæt svampearket tilbage i den oprindelige position. Sørg for, at svampearkets venstre og højre kant er fastgjort med stoppere, og at der ikke er noget mellemrum mellem svampearket og sugeåbningen.

► **Fig.40:** 1. Svampeark 2. Stopper 3. Sugeåbning

7. Hold fast i filterets monteringsende, og klem det tilbage i støvsugerkabinettet.

► **Fig.41:** 1. Filter 2. Støvsugerkabinettet

Tilstandsbaseret vedligeholdelse

BEMÆRKNING: Rens trådsien i cyklonenheden, når den bliver tilstoppet. Fortsat brug i tilstoppet tilstand kan resultere i ophedning eller motorfejl.

Grundig og præcis rengøring skal udføres i overensstemmelse med maskinens ydeevne.

Trådsi

Når støvbakken bliver beskidt, eller trådsien er tilstoppet, skal du fjerne og vaske dem med vand. (Se "Bortskaffelse af støv" angående fjernelsesproceduren.)

1. Hold godt fast i støvbakken, og træk den væk fra cyklonkabinettet, mens du trykker på og holder udløserknapperne på begge sider af støvbakken nede.

► **Fig.42:** 1. Støvbakke 2. Cyklonkabinettet 3. Udløserknapper

2. Drej trådsien som vist på figuren for at frigøre låsen. Løsn den derefter fra cyklonkabinettet.

► **Fig.43:** 1. Trådsi

3. Adskil trådsien i tre komponenter: forfilter, rørformet svampefilter og trådrør.

i Klem styrstopperne oven på trådrøret sammen.

ii Før styrstopperne ned gennem styrhullet oven på forfilteret.

iii Træk forfilteret langs det rørformede svampefilter og trådrøret.

iv Fjern det rørformede svampefilter fra trådrøret.

► **Fig.44:** 1. Forfilter 2. Rørformet svampefilter 3. Trådrør 4. Styrstopper 5. Styrhul

4. Aftør og ryst støvet af filtrene og trådrøret med hånden.

► **Fig.45**

5. Vask filtrene og trådrøret i sæbevand, når de er tilstoppet med støv og snavs. Tør dem grundigt i skyggen før brug.

► **Fig.46**

6. Genmonter trådsien.

i Indsæt det rørformede svampefilter i forfilteret.

ii Indsæt trådrøret ind i det rørformede svampefilter og forfilteret, idet styrstopperne oven på trådrøret føres igennem styrhullet oven på forfilteret.

iii Skub trådrøret gennem det rørformede svampefilter og forfilteret, indtil det låses på plads med et klik.

► **Fig.47:** 1. Forfilter 2. Rørformet svampefilter 3. Trådrør 4. Styrstopper 5. Styrhul

7. Sæt trådsien tilbage i cyklonkabinettet ved at justere krogene på trådsien med åbningerne på cyklonkabinettets sugeudløb. Drej trådsien som vist på figuren, indtil krogene låses med et klik. Sørg for, at trådsien er monteret forsvarligt.

► **Fig.48:** 1. Trådsi 2. Cyklonkabinettet 3. Krog 4. Åbning

Luftkanaler i cyklonenheden

Indgående fremmedlegemer kan blokere luftkanalerne i cyklonenheden og belaste luftstrømme. Fjern eventuelle forhindringer i luftvejen, hvis sugeevnen påvirkes mærkbart.

1. Adskil cyklonenheden i tre komponenter: støvbakke, trådsi og cyklonkabinettet.

► **Fig.49:** 1. Støvbakke 2. Trådsi 3. Cyklonkabinettet 4. Støvsugerkabinettet

2. Tryk og hold styrstopperne på indløbsrøret ned gennem låsehullet på cyklonkabinettet ved hjælp af håndværktøjet med en spids. Løsn derefter indløbsrøret fra cyklonkabinettet.

► **Fig.50:** 1. Indløbsrør 2. Styrstopper 3. Cyklonkabinettet 4. Låsehul

3. Rens eventuelle stoffer, der findes i luftkanalerne.

Der er risiko for, at fremmedlegemer sætter sig fast omkring en indgående luftåbning.

► **Fig.51:** 1. Sugeåbning 2. Indgående luftåbning

4. Sæt indløbsrøret tilbage på plads, indtil det er forsvarligt låst.

► **Fig.52:** 1. Indløbsrør 2. Cyklonkabinettet 3. O-ring 4. Klapventil

BEMÆRKNING: Sørg for, at O-ringen og klapventilen er sikkert på plads, før de monteres igen. Sugeevnen kan blive påvirket, hvis cyklonenheden betjenes uden O-ringen og klapventilen på plads.

5. Monter cyklonenheden igen, og fastgør den på støvsugerkabinettet.

Fejlfinding

Tjek følgende punkter, før du beder om reparation.

| Symptom | Område, der skal undersøges | Reparationsmetode |
|---------------------|---|--|
| Svag sugekraft | Er støvbakken eller indersiden af cyklonenheden fuld af støv? | Tøm støvbakken eller indersiden af cyklonenheden. |
| | Er filtrene tilstoppet? | Støv eller vask det højtydende filter/HEPA-filteret/svampearkeket/trådsien af. |
| | Er der noget, der blokerer de indgående luftkanaler? | Rens støv og genstande ud af luftåbninger og -kanaler. |
| | Er akkuen afladet? | Oplad akkuen. |
| Virker ikke | Er akkuen afladet? | Oplad akkuen. |
| Støj og vibrationer | Er filtrene tilstoppet? | Støv eller vask det højtydende filter/HEPA-filteret/svampearkeket/trådsien af. |
| | Er der noget, der blokerer åbninger eller huller? | Rens eventuelt støv og genstande ud af mundstykker, rør og luftåbninger. |
| | Er sugeåbningen til mundstykket eller røret lukket? | Afdæk og åbn sugeåbningen på mundstykket og røret. |

⚠FORSIGTIG: Forsøg ikke selv at reparere støvsugerens.

EKSTRAUDSTYR

⚠FORSIGTIG: Det følgende tilbehør og ekstraudstyr er anbefalet til brug med Deres Makita maskine, der er beskrevet i denne brugsanvisning. Anvendelse af andet tilbehør eller ekstraudstyr kan udgøre en risiko for personskade. Anvend kun tilbehør og ekstraudstyr til det beskrevne formål.

Hvis De behøver hjælp ved valg af tilbehør eller ønsker yderligere informationer, bedes De kontakte Deres lokale Makita servicecenter.

- Forlængerstav (lige rør)
- Mundstykke
- Tæppemundstykke
- Børste til hylde
- Hjørnemundstykke
- Rund børste
- Fleksibel slange
- Højtydende filter
- HEPA-filter
- Møbelmundstykke
- Revnemundstykke
- Værktøjspose
- Original Makita-akku og oplader

BEMÆRK: Nogle ting på denne liste kan være inkluderet i værktøjspakken som standardtilbehør. Det kan være forskellige fra land til land.

BRĪDINĀJUMS

- Šo ierīci drīkst izmantot bērni no 8 gadu vecuma un personas ar samazinātām fiziskām, maņu vai psihiskām spējām, vai kam trūkst pieredzes un zināšanu, ja tām nodrošināta uzraudzība un sniegti norādījumi par ierīces drošu izmantošanu un ja ir izprasti saistītie apdraudējumi.
- Bērni nedrīkst spēlēties ar ierīci. Ierīces tīrīšanu un apkopi nedrīkst veikt neuzraudzīti bērni.
- Lai uzzinātu akumulatora tipu, skatiet nodaļu „TEHNISKIE DATI”.
- Lai uzzinātu, kā uzstādīt vai izņemt akumulatoru, skatiet sadaļu „Akumulatora kasetnes uzstādīšana un izņemšana”.
- Lai utilizētu akumulatora kasetni, izņemiet to no darbarīka un likvidējiet drošā vietā. Ievērojiet vietējos noteikumus par akumulatoru likvidēšanu.
- Ja darbarīks netiks lietots ilgu laiku, no tā jāizņem akumulators.
- Neradiet akumulatora kasetnes īssavienojumu.
- Informāciju par atbilstošiem piesardzības pasākumiem apkopes darbu laikā skatiet nodaļā „APKOPE”.

SPECIFIKĀCIJAS

| Modelis: | | CL003G |
|--|----------------------------------|--------------------------------------|
| Tilpums | | 250 ml / 400 ml (atkarībā no valsts) |
| Nepārtraukta lietošana (ar akumulatoru BL4025) | 1 (klusais režīms) | Aptuv. 80 min |
| | 2 (parasta ātruma režīms) | Aptuv. 40 min |
| | 3 (liela darbības ātruma režīms) | Aptuv. 25 min |
| | 4 (maks. darbības ātruma režīms) | Aptuv. 16 min |
| Kopējais garums (ar cauruli, uzgali un akumulatoru BL4025) | | 1 106 mm |
| Nominālais spriegums | | Līdzstrāva 36 V–40 V maks. |
| Neto svars | | 1,9–2,6 kg |

- Nepārtrauktās izpētes un izstrādes programmas dēļ šeit uzrādītās specifikācijas var tikt mainītas bez brīdinājuma.
- Atkarībā no valsts specifikācijas var atšķirties.
- Svarā nav iekļauti piederumi, bet tikai akumulatora kasetne(-es). Vieglākais un smagākais ierīces un akumulatora kasetnes(-ņu) kopējais svars ir norādīts tabulā.

Piemērotā akumulatora kasetne un lādētājs

| | |
|---------------------|---|
| Akumulatora kasetne | BL4020* / BL4025* / BL4040* / BL4050F *: Ieteicamais akumulators |
| Lādētājs | DC40RA / DC40RB / DC40RC |

- Daži no iepriekš norādītajiem lādētājiem un akumulatora kasetnēm var nebūt pieejami atkarībā no jūsu mītnes reģiona.

▲BRĪDINĀJUMS: Izmantojiet vienīgi iepriekš norādītās akumulatora kasetnes un lādētājus. Cita tipa akumulatora kasetņu un lādētāju izmantošana var radīt traumu un/vai aizdegšanās risku.

Simboli

Tālāk ir attēloti simboli, kas var attiekties uz darbarīka lietošanu. Pirms darbarīka izmantošanas pārliecinieties, vai pareizi izprotat to nozīmi.



Izlasiet lietošanas rokasgrāmatu.



Šim izstrādājumam ir piemērots parauga akumulators.



Ni-MH
Li-Ion

Tikai ES valstīm
Tā kā šajā aprīkojumā ir bīstamas sastāvdaļas, elektrisko un elektronisko iekārtu, akumulatoru un bateriju atkritumi var negatīvi ietekmēt apkārtējo vidi un cilvēka veselību. Elektroierīces, elektroniskās ierīces un akumulatorus nedrīkst izmest kopā ar majsaimniecības atkritumiem!
Saskaņā ar Eiropas direktīvu par elektrisko un elektronisko iekārtu atkritumiem, akumulatoriem un baterijām, kā arī akumulatoru un bateriju atkritumiem un šīs direktīvas pielāgošanu valsts tiesību aktiem elektrisko un elektronisko iekārtu, bateriju un akumulatoru atkritumi ir jāglabā atsevišķi un jānogādā uz sadzīves atkritumu dalītās savākšanas vietu, ievērojot attiecīgos vides aizsardzības noteikumus.
Par to liecina uz iekārtas redzams simbols ar pārsvītrotu atkritumu konteineru uz rītniem.

Paredzētā lietošana

Šis darbarīks ir paredzēts sausu putekļu savākšanai.

DROŠĪBAS BRĪDINĀJUMI

Drošības brīdinājumi attiecībā uz bezvadu tīrītāju

▲BRĪDINĀJUMS: SVARĪGI! PIRMS LIETOŠANAS UZMANĪGI IZLASIET visus drošības brīdinājumus un visus norādījumus. Brīdinājumu un norādījumu neievērošanas gadījumā var rasties elektrotrauma, aizdegšanās un/vai smagas traumas.

1. Neatstājiet lietū. Uzglabājiet telpās.
2. Neļaujiet izmantot kā rotaļlietu. Īpaša uzmanība jāpievērš, kad darbarīku izmanto bērni vai tas tiek izmantots bērnu tuvumā.
3. Izmantojiet tikai tā, kā norādīts šajā rokasgrāmatā. Lietojiet tikai darbarīka ražotāja ieteiktās papildierīces.
4. Neizmantojiet ar bojātu akumulatoru. Ja ierīce ne darbojas, kā paredzēts, tikusi nomesta, ir bojāta, atstāta ārpus telpām vai iemesta ūdenī, nogādājiet to apkopes centrā.
5. Nelietojiet ierīci ar mitrām rokām.
6. Neievietojiet tās atverēs priekšmetus. Nelietojiet ierīci, ja nosprostota kāda no atverēm — tajās nedrīkst būt putekļu, plūksnu, matu un citu svešķermeņu, kas var ierobežot gaisa plūsmu.

7. Netuviniet matus, vaļīgu apģērbu, pirkstus un ķermeņa daļas atverēm un kustīgajām daļām.
8. Pirms akumulatora izņemšanas izslēdziet visas vadības ierīces.
9. Īpaši uzmanieties, tīrot uz kāpnēm.
10. Neizmantojiet viegli uzliesmojošu vai ugunsnedrošu šķidrumu, piemēram, benzīna savākšanai, kā arī nelietojiet ierīci vietās, kur šādi šķidrumi var būt.
11. Uzlādei izmantojiet tikai ražotāja nodrošināto lādētāju.
12. Neizmantojiet degošu vai dūmojošu priekšmetu, piemēram, cigarešu, sērkokociņu vai karstu pelnu savākšanai.
13. Nelietojiet ierīci, ja nav uzstādīts putekļu maiss un/vai filtri.
14. Nelādējiet akumulatoru ārpus telpām.
15. Uzlādei izmantojiet tikai ražotāja norādītos lādētājus. Vienam akumulatoru tipam paredzēta lādētāja izmantošana cita tipa akumulatoru uzlādei var radīt aizdegšanās draudus.
16. Ierīču lādēšanai izmantojiet tikai tām īpaši paredzētos akumulatorus. Cita tipa akumulatoru izmantošana var radīt traumu un aizdegšanās risku.
17. Ja akumulatora bloku neizmantojat, novietojiet to drošā attālumā no metāla priekšmetiem, piemēram, saspraudēm, monētām, atslēgām, naglām, skrūvēm un citiem nelieliem metāla priekšmetiem, kas var savienot spaiļes.
18. Nepareizas lietošanas gadījumā no akumulatora var izteciēt šķidrums; nepieskarieties tam. Ja nejausi pieskārties šķidrumam, skarto vietu noskalojiet ar ūdeni.
19. Ja akumulators vai ierīce ir bojāti vai pārveidoti, nelietojiet to. Bojāti vai pārveidoti akumulatori var darboties nepareizi un izraisīt aizdegšanos, sprādzienu vai traumu.
20. Nepakļaujiet akumulatora bloku un ierīci uguns un pārmērīgi augstas temperatūras iedarbībai. Uguns vai temperatūra virs 130 °C var izraisīt sprādzienu.
21. Ievērojiet visus lādēšanas norādījumus un nelādējiet akumulatoru vai ierīci, ja temperatūra pārsniedz norādīto diapazonu. Nepareiza uzlāde vai temperatūra ārpus noteiktā diapazona var sabojāt akumulatoru un palielināt aizdegšanās risku.

SAGLABĀJIET ŠOS NORĀDĪJUMUS.

PAPILDU DROŠĪBAS NOTEIKUMI

Šī ierīce ir paredzēta lietošanai majsaimniecībā.

1. Pirms lietošanas rūpīgi izlasiet šo rokasgrāmatu un lādētāja rokasgrāmatu.
2. Nevāciet šeit nosauktos materiālus.
 - Karstus priekšmetus, piemēram, aizdegas cigaretes vai dzirksteles/metāla putekļus, kas radušies metāla slīpēšanas/zāģēšanas laikā.
 - Ugunsnedrošas vielas, piemēram, benzīnu, šķīdinātāju, petroleju vai krāsu.

- Sprādzienbīstamas vielas, piemēram, nitroglicerīnu.
- Uzliesmojošus materiālus, piemēram, alumīniju, cinku, magniju, titānu, fosforu vai celuloīdu.
- Mitrus netīrumus, ūdeni, eļļu vai līdzīgas vielas.
- Cietus priekšmetus ar asām malām, piemēram, koka skaidas, metāla gabalus, akmeņus, stiklu, naglas, saspraudes vai žiletēs.
- Pulveri, kas sacietē, piemēram, cementu vai toneri.
- Vadītspējīgus putekļus, piemēram, metāla vai oglekļa putekļus.
- Sīkas daļiņas, piemēram, betona putekļus.

Šāda rīcība var izraisīt aizdegšanos, traumas un/vai materiālos zaudējumus.

3. Nekavējoties pārtrauciet darbu, ja ievērojat novirzes no normas.
4. Ja tīrītāju nometat vai tas citādi saņem triecienu, pirms tā darbināšanas rūpīgi pārbaudiet, vai tīrītājam nav plaisu vai bojājumu.
5. Nelietojiet to krāsns vai citu karstuma avotu tuvumā.
6. Nenobloķējiet iepļūdes atveri un ventilācijas atveres.

SAGLABĀJIET ŠOS NORĀDĪJUMUS.

Svarīgi drošības norādījumi par akumulatora kasetni

1. Pirms akumulatora lietošanas izlasiet visus norādījumus un brīdinājumus, kuri attiecas uz (1) akumulatora lādētāju, (2) akumulatoru un (3) ierīci, kurā tiek izmantots akumulators.
2. Akumulatora kasetni nedrīkst ne pārveidot, ne izjaukt. Citādi var tikt izraisīta aizdegšanās, pārmērīgs karstums vai sprādziens.
3. Ja akumulatora darbības laiks kļūva ievērojami īsāks, nekavējoties pārtrauciet to izmantot. Citādi, tas var izraisīt pārkarsējumu, uzliesmojumu vai pat sprādzienu.
4. Ja elektrolīts nonāk acīs, izskalojiet tās ar tīru ūdeni un nekavējoties griežieties pie ārsta. Tas var izraisīt redzes zaudēšanu.
5. Neradiet īssavienojumu akumulatora kasetnē:
 - (1) Nepieskarieties spaiļēm ar elektrību vadošiem materiāliem.
 - (2) Neuzglabājiēt akumulatoru kasetni kopā ar citiem metāla priekšmetiem, tādiem kā naglas, monētas u. c.
 - (3) Nepakļaujiēt akumulatora kasetni ūdens vai lietus iedarbībai.

Akumulatora īssavienojums var radīt spēcīgu strāvas plūsmu, pārkarsānu, uzliesmojumu un pat sabojāt akumulatoru.
6. Neglabājiēt un neizmantojiēt darbarīku un akumulatora kasetni vietās, kur temperatūra var sasniegt vai pārsniegt 50 °C (122 °F).

7. Nedeziniet akumulatora kasetni, pat ja tā ir stipri bojāta vai pilnībā nolietota. Akumulatora kasetne ugunī var eksplodēt.
8. Akumulatora kasetni nedrīkst naglot, griezt, saspīest, mest vai nomet, kā arī pa to nedrīkst sist ar cietu priekšmetu. Šādas darbības var izraisīt aizdegšanos, pārmērīgu karstumu vai sprādzienu.
9. Neizmantojiēt bojātu akumulatoru.
10. Uz izmantotajiem litiņa jonu akumulatoriem attiecas likumdošanas prasības par bīstamiem izstrādājumiem.

Komerציālā transportēšanā, ko veic, piemēram, trešās puses, transporta uzņēmumi, jāievēro uz iesaiņojuma un marķējuma norādītās īpašās prasības.

Lai izstrādājumu sagatavotu nosūtīšanai, jāsaziņās ar bīstamo materiālu speciālistu. Ievērojiet arī citus attiecināmos valsts normatīvus.

Vaļējus kontaktus nosedziet ar līmlenti vai citādi pārklājiēt, bet akumulatoru iesaiņojiēt tā, lai sainītas nevarētu izkustēties.
11. Lai utiilizētu akumulatora kasetni, izņemiet to no darbarīka un likvidējiēt drošā vietā. Ievērojiet vietējos noteikumus par akumulatora likvidēšanu.
12. Izmantojiēt šos akumulatorus tikai ar izstrādājumiem, kurus norādījis Makita. Ievojiēt šos akumulatorus nesaderīgos izstrādājumos, var rasties ugunsgrēks, pārmērīgs karstums, tie var uzsprāgt vai no tiem var iztecēt elektrolīts.
13. Ja darbarīks netiks lietots ilgu laiku, no tā jāizņem akumulators.
14. Lietošanas laikā vai pēc tās akumulatora kasetne var uzkrāt siltumu, kas var izraisīt apdegumus vai zemas temperatūras apdegumus. Ar karstu akumulatora kasetni apejiēties rūpiēi.
15. Nepieskarēties darbarīka izvadam uzreiz pēc lietošanas, jo tas var būt sakarsis un izraisīt apdegumus.
16. Neļaujiēt akumulatora kasetnes spaiļēs, atverēs un rievās uzkrāties skaidām, putekļiem vai netīrumiem. Tas var izraisīt sasilšanu, aizdegšanos, sprādzienu un instrumenta vai akumulatora kasetnes nepareizu darbību, un lietotājs var gūt apdegumus vai ievainojumus.
17. Neizmantojiēt akumulatora kasetni augstsprieguma līniju tuvumā, izņemot gadījumus, kad darbarīks ir piemērots lietošanai augstsprieguma līniju tuvumā. Citādi darbarīks vai akumulatora kasetne var sākt darboties nepareizi vai tikt sabojiāti.
18. Glabājiēt akumulatoru bērniem nepieejamā vietā.

SAGLABĀJIET ŠOS NORĀDĪJUMUS.

UZMANĪBU: Lietojiēt tikai oriēinālos Makita akumulatorus. Ja lietojāt neoriēinālos Makita akumulatorus vai pārveidojāt akumulatorus, tie var uzsprāgt un izraisīt aizdegšanos, traumas un materiālos zaudējumus. Tīks anulēta arī Makita darbarīka un lādētāja garantija.

Ieteikumi akumulatora kalpošanas laika pagarināšanai

1. Uzlādējiet akumulatora kasetni, pirms tā ir pilnībā izlādējusies. Vienmēr, kad ievērojat, ka darbarīka darba jauda zudusi, apturiet darbarīku un uzlādējiet akumulatora kasetni.
2. Nekad neuzlādējiet pilnībā uzlādētu akumulatora kasetni. Pārmērīga uzlāde saīsina akumulatora kalpošanas laiku.
3. Uzlādējiet akumulatora kasetni istabas temperatūrā 10 °C - 40 °C. Karstai akumulatora kasetnei pirms uzlādes ļaujiet atdzist.
4. Kad akumulatora kasetne netiek izmantota, izņemiet to no darbarīka vai lādētāja.
5. Uzlādējiet litija jonu akumulatora kasetni, ja to ilgstoši nelietosiet (vairāk nekā sešus mēnešus).

FUNKCIJU APRAKSTS

⚠ UZMANĪBU: Pirms darbarīka regulēšanas vai tā darbības pārbaudes vienmēr pārlicinieties, ka darbarīks ir izslēgts un akumulatora kasetne ir izņemta.

⚠ UZMANĪBU: Uzmanieties, lai, ievietojot akumulatoru, pirksts(-i) nenokļūtu starp tīrītāju un akumulatoru, kā parādīts attēlā. Iespēstus pirkstus var traumēt.

► Att.1

Akumulatora kasetnes uzstādīšana un izņemšana

⚠ UZMANĪBU: Vienmēr pirms akumulatora kasetnes uzstādīšanas vai noņemšanas izslēdziet darbarīku.

⚠ UZMANĪBU: Uzstādot vai izņemot akumulatora kasetni, darbarīku un akumulatora kasetni turiet cieši. Ja darbarīku un akumulatora kasetni netur cieši, tie var izkrist no rokām un radīt bojājumus darbarīkam un akumulatora kasetnei, kā arī izraisīt ievainojumus.

► Att.2: 1. Sarkanās krāsas indikators 2. Poga 3. Akumulatora kasetne

Lai izņemtu akumulatora kasetni, izvelciet to no darbarīka, pārbindot kasetnes priekšpusē esošo pogu.

Lai uzstādītu akumulatora kasetni, salāgojiet akumulatora kasetnes mēlīti ar rievu ietvarā un iebīdīet to vietā. Ievietojiet to līdz galam, līdz tā ar klikšķi nofiksējas. Ja redzams attēlā parādītais sarkanais indikators, tas nozīmē, ka tas nav pilnīgi nofiksēts.

⚠ UZMANĪBU: Vienmēr ievietojiet akumulatora kasetni tā, lai sarkanais indikators nebūtu redzams. Pretējā gadījumā tā var nejauši izkrist no darbarīka un izraisīt jums vai apkārtējiem traumas.

⚠ UZMANĪBU: Neievietojiet akumulatora kasetni ar spēku. Ja kasetne neslīd ietvarā viegli, tā nav pareizi ielikta.

Akumulatora aizsardzības sistēma

Darbarīkam ir darbarīka/akumulatora aizsardzības sistēma. Šī sistēma automātiski izslēdz motora barošanu, lai pagarinātu darbarīka un akumulatora darbūžu. Darbarīka darbība tiks automātiski apturēta, ja darbarīku vai akumulatoru pakļaus kādam no tālāk norādītajiem apstākļiem.

Pārslodze:

Darbarīku/akumulatoru ekspluatācijas laikā lieto tādā veidā, ka tam vajadzīgs pārmērīgi liels strāvas daudzums. Šādā gadījumā izslēdziet darbarīku un pārtrauciet darbarīka pārslodzi izraisījušo darbu. Tad ieslēdziet darbarīku, lai atsāktu darbu.

Ja darbarīks neieslēdzas, darbarīks vai akumulators ir pārkarsis. Šādā gadījumā ļaujiet darbarīkam/akumulatoram atdzist, pirms atkārtoti ieslēdzat darbarīku.

Zems akumulatora spriegums:

Akumulatora atlikusī jauda ir pārāk zema, un darbarīks nedarbosies. Šādā gadījumā noņemiet akumulatoru un uzlādējiet.

Aizsardzība pret citiem cēloņiem

Aizsardzības sistēma ir paredzēta arī pret citiem cēloņiem, kas varētu radīt darbarīka bojājumus, un nodrošina automātisku darbarīka apturēšanu. Ja darbarīka darbība ir īslaicīgi apturēta vai tas pārstājis darboties, veiciet visas tālāk norādītās darbības, lai novērstu cēloņus.



















1. Izslēdziet un atkal ieslēdziet darbarīku, lai to atkārtoti iedarbinātu.
2. Uzlādējiet akumulatoru(-s) vai nomainiet to(-s) ar uzlādētu(-iem) akumulatoru(-iem).
3. Ļaujiet darbarīkam un akumulatoram(-iem) atdzist.

Ja pēc aizsardzības sistēmas atjaunošanas nav uzlabojumu, sazinieties ar vietējo Makita tehnikās apkopes centru.

Atlikušās akumulatora jaudas indikators

Nospiediet akumulatora kasetnes pārbaudes pogu, lai pārbaudītu akumulatora atlikušo uzlādes līmeni. Indikatori iedegsies uz dažām sekundēm.

► Att.3: 1. Indikatora lampas 2. Pārbaudes poga

| Indikatora lampas | | | Atlikusī jauda |
|---|--|---|------------------------------|
|  Iededzies |  Izslēgts |  Mirgo | |
|  | | | No 75% līdz 100% |
|  |  | | No 50% līdz 75% |
|  |  | | No 25% līdz 50% |
|  |  | | No 0% līdz 25% |
|  |  | | Uzlādējiet akumulatoru. |
|  |  |  | Iespējama akumulatora kļūme. |
|  |  |  | |





PIEZĪME: Reālā jauda var nedaudz atšķirties no norādītās atkarībā no lietošanas apstākļiem un apkārtējās temperatūras.

PIEZĪME: Akumulatora aizsardzības sistēmas darbības laikā mirgo pirmais (kreisais malējais) indikators.

Slēdža darbība

► **Att.4:** 1. Sūkšanas jaudas maiņas poga 2. IESL./IZSL. poga

Lai ieslēgtu tīrītāju, nospiediet IESL./IZSL. pogu. Lai izslēgtu tīrītāju, vēlreiz nospiediet IESL./IZSL. pogu. Varat mainīt tīrītāja sūkšanas jaudu četrās pakāpēs, spiežot sūkšanas jaudas maiņas pogu. Katra šīs pogas nospiešana pārslēdz klusā/parasta ātruma/liela ātruma/maks. darbības ātruma režīmu norādītajā secībā.

| Līmenis | Indikators | Režīms |
|---------|---|------------------------------|
| 1 |  | Klusais režīms |
| 2 |  | Parasta ātruma režīms |
| 3 |  | Liela ātruma režīms |
| 4 |  | Maks. darbības ātruma režīms |

PIEZĪME: Varat mainīt sūkšanas jaudu pirms tīrītāja ieslēgšanas.

PIEZĪME: Ieslēdzot tīrītāju, tiek izmantota tāda pati jauda, kāda tika izmantota iepriekšējās ekspluatācijas laikā.

Lampas ieslēgšana

⚠UZMANĪBU: Neskatieties gaismā, neļaujiet tās avotam iespīdēt acīs.

Lai ieslēgtu lampu, nospiediet sūkšanas jaudas maiņas pogu. Lampa nodziest pēc aptuveni 10 sekundēm. Kamēr tīrītājs ir ieslēgts, lampa deg. Lampa nodziest aptuveni 10 sekundes pēc tīrītāja izslēgšanas.

PIEZĪME: Kad atlikusī akumulatora jauda ir maza, lampa sāk mirgot. Laiks, kad tieši lampa sāk mirgot, ir atkarīgs no temperatūras darba vietā un akumulatora kasetnes stāvokļa.

► **Att.5:** 1. Sūkšanas jaudas maiņas poga 2. IESL./IZSL. poga 3. Lampa

DETAĻU APRAKSTS

Atkarībā no valsts

► **Att.6**

| | | | | | | | |
|----|---|----|--|----|--------------|----|---------------------|
| 1. | 250 ml putekļu tvertne (papildpiederums) | 2. | 400 ml putekļu tvertne (papildpiederums) | 3. | Sieta filtrs | 4. | Ciklona korpus |
| 5. | Liels caurlaidības filtrs (filtra rāmis pelēkā krāsā) (papildpiederums) | 6. | HEPA filtrs (filtra rāmis baltā krāsā) (papildpiederums) | 7. | Sūkļa loksne | 8. | Putekļsūcēja korpus |
| 9. | Rokas saite (atkarībā no valsts) | - | - | - | - | - | - |

MONTĀŽA

⚠UZMANĪBU: Pirms darbarīka regulēšanas vai apkopes vienmēr pārliecinieties, ka darbarīks ir izslēgts un akumulatora kasetne ir izņemta.

IEVĒRĪBAI: Pirms lietošanas pārliecinieties, vai visas papildierces un daļas ir droši nostiprinātas vietā.

Putekļsūcēja piederumu uzstādīšana un noņemšana

⚠UZMANĪBU: Kad piederumi uzstādīti, pārbaudiet, vai tie ir stingri piestiprināti. Ja piederumi ir nepareizi uzstādīti, tie var atvienoties un radīt traumas.

⚠UZMANĪBU: Atvienojiet piederumu uzmanīgi, lai nesasistu roku pret sienu vai citiem priekšmetiem.

Piederums ar bloķēšanas funkciju – izmantošana

Lai uzstādītu piederumu, ievietojiet to putekļsūcēja iesūkšanas atverē, līdz tā nofiksējas vietā. Pārbaudiet, vai piederums ir nofiksēts.

► **Att.7:** 1. Iesūkšanas atvere 2. Piederums ar bloķēšanas funkciju 3. Āķis

IEVĒRĪBAI: Uzstādot piederumu ar bloķēšanas funkciju, gādājiet, lai putekļsūcēja atļaišanas poga būtu savietota ar piederuma āķi. Ja detaļas nav pareizi savietotas, piederums nefiksējas un var atvienoties no putekļsūcēja.

Lai noņemtu papildierīci, velciet to nost no putekļsūcēja, turot nospiestas atļaišanas pogas sviras.

► **Att.8:** 1. Atļaišanas poga 2. Atļaišanas pogas svira 3. Piederums ar bloķēšanas funkciju 4. Iesūkšanas atvere

Piederums bez bloķēšanas funkcijas – izmantošana

IEVĒRĪBAI: Lai uzstādītu papildierīci bez bloķēšanas funkcijas, ar griešanas kustību ievietojiet to iesūkšanas atverē, kā parādīts attēlā. Lai atvienotu papildierīci, ar griešanas kustību atbrīvojiet to no putekļsūcēja, kā parādīts attēlā. Negrieziet papildierīci pretēji attēlā parādītajai buļņai, jo tādējādi var atskrūvēt vaiļgāk ciklona ierīci.

► Att.9

EKSPLUATĀCIJA

⚠UZMANĪBU: Kad putekļsūcējs ir ieslēgts, gādājiet, lai jūsu seja nebūtu ventilācijas atveres tuvumā. Ja svešķermeņi tiks iepūsti acīs, var rasties traumas.

IEVĒRĪBAI: Nelietojiet putekļsūcēju horizontālā vai augšup vērsta pozīcijā. Pretējā gadījumā var aizsprostoties sieta filtrs.

IEVĒRĪBAI: Izmantojiet putekļsūcēju tikai ar uzstādītiem filtriem. Izmantojot putekļsūcēju bez filtriem, var rasties motora darbības traucējumi.

IEVĒRĪBAI: Kad ir sakrājušies putekļi, iztukšojiet putekļu tvertni ciklona ierīcē. Turpinot izmantot putekļsūcēju šādā stāvoklī, samazināsies tā sūkšanas jauda.

Ciklona ierīce palīdz samazināt putekļu daudzumu, kas nokļūst putekļsūcējā, uzlabojot sūkšanas jaudu ar vieglu un vienkāršu atbrīvošanu no putekļiem.

Tīrīšana (iesūkšana)

Uzgalis

Tikai ar 250 ml putekļu tvertni

Piestipriniet uzgali, lai notīrītu galdus, solus, mēbeles u. c. Uzgali piestiprināt ir vienkārši.

► Att.10: 1. Uzgalis

Uzgalis un pagarinājuma caurule (taisna caurule)

Pagarinājuma caurule iestiprināma starp uzgali un tīrītāju. Šis izkārtotājs ir ērts grīdas tīrīšanai stāvus pozīcijā.

► Att.11: 1. Tīrītāja korpus 2. Pagarinājuma caurule 3. Uzgalis

Stūru uzgalis

Stūru uzgali izmantojiet stūru un automobiļa vai mēbeļu iedobumu tīrīšanai.

► Att.12: 1. Stūru uzgalis 2. Tīrītāja korpus

Stūru uzgali var glabāt uzgaļa turētājā.

► Att.13: 1. Uzgaļa turētājs 2. Stūru uzgalis

⚠UZMANĪBU: Uzmanieties, lai pirksts(-i) neiekļūst starp stūru uzgali un uzgaļa turētāju. Iespiežot pirkstus, tie var tikt traumēti.

Stūru uzgalis un pagarinājuma caurule (taisna caurule)

Izmantojiet šo konfigurāciju, lai iztīrītu stūrus, kur nav iespējams piekļūt ar tīrītāju, vai augstas, grūti aizsnie-dzamas vietas.

► Att.14: 1. Stūru uzgalis 2. Pagarinājuma caurule 3. Tīrītāja korpus

Tīrīšana bez uzgaļa

Tikai ar 250 ml putekļu tvertni

Pulveri un putekļus var savākt bez uzgaļa.

► Att.15

Lai būtu ērtāk tīrīt putekļus no grīdas stāvus pozīcijā, putekļsūcējam var pievienot pagarinājuma cauruli (taisno cauruli).

► Att.16: 1. Pagarinājuma caurule

Putekļu izmešana

⚠UZMANĪBU: Tīrītāju iztukšojiet pirms tā pār-pildes, jo vājinās iesūkšana.

⚠UZMANĪBU: Veicot montāžu, piesargieties, lai neiespiestu pirkstu(s) starp putekļu tvertni un ciklona korpusu.

Atbrīvojieties no uzkrātajiem putekļiem, kā aprakstīts tālāk, pirms tie pārsniedz putekļu izbēršanas līniju.

1. Pavērsiet putekļsūcēja galvu uz leju, cieši turiet putekļu tvertni un tad velciet to nost no ciklona korpusa, turot nospiestas atlaišanas pogas abās putekļu tvertnes pusēs.

► Att.17: 1. Putekļu izbēršanas līnija 2. Putekļu tvertne 3. Atlaišanas pogas 4. Sieta filtrs

2. Iztukšojiet putekļu tvertni un notīriet pieķērušos putekļus no sieta filtra.

► Att.18

3. Uzlieciet putekļu tvertni atpakaļ uz ciklona korpusa tā, lai tā ar klikšķi nofiksētos vietā.

► Att.19: 1. Putekļu tvertne 2. Atlaišanas pogas 3. Ciklona korpus

⚠UZMANĪBU: Kad putekļus izber no putekļu tvertnes, putekļi var izplatīties gaisā. Piesargieties, lai putekļi neiekļūtu acīs.

IEVĒRĪBAI: Kad putekļu tvertne kļūst netīra, noņemiet to un izmāzgājiet ar ūdeni. Rūpīgi izžāvējiet putekļu tvertni pirms tās atkārtotas uzstādīšanas un izmantošanas.

IEVĒRĪBAI: Pirms lietošanas pārlicinieties, vai visas papildierīces un daļas ir droši nostiprinātas vietā.

IEVĒRĪBAI: Ja sūkšanas jauda neatjaunojas pat pēc putekļu izmešanas un sieta filtra notīrīšanas, pārbaudiet, vai ciklona korpusā nav sakrājušies putekļi vai radies aizsprostojums.

APKOPE

⚠ UZMANĪBU: Pirms darbarīka pārbaudes vai apkopes vienmēr pārlicinieties, ka darbarīks ir izslēgts un akumulatora kasetne ir izņemta.

IEVĒRĪBAI: Nekad neizmantojiet gazolinu, benzīnu, atšķaidītāju, spirtu vai līdzīgus šķidrumus. Tas var radīt izbalēšanu, deformāciju vai plaisas.

Lai saglabātu izstrādājuma DROŠU un UZTICAMU darbību, remontdarbus, apkopi un regulēšanu uzticiet veikt tikai Makita pilnvarotam vai rūpnīcas apkopes centram un vienmēr izmantojiet tikai Makita rezerves daļas.

Pēc lietošanas

⚠ UZMANĪBU: Ja tīrītāju novieto pie sienas bez papildu balsta, tas var nokrist, radot traumas vai bojājot pašu tīrītāju.

► Att.20

Regulārā apkope

IEVĒRĪBAI: Iztīriet filtrus ciklona ierīcē, kad tie aizsērē. Izmantojot putekļsūcēju ar aizsprostotu filtru vai putekļu maisu, tas var izraisīt pārkaršanu vai motora bojājumus.

IEVĒRĪBAI: Putekļus, kas pieķērušies tīrītājam un filtriem, neizpūstiet ar gaisa pistoli. Tādējādi putekļi iekļūst korpusā un izraisa darbības traucējumus.

Lai atjaunotu normālus darbības apstākļus, jāveic parastā apkope.

Tīrītāja korpuss

Putekļsūcēja ārpusi (korpusu) notīriet ar ziepjūdeni samitrinātā drānā un iztīriet iesūkšanas atveres.

► Att.21

Ciklona ierīce un filtri

IEVĒRĪBAI: Kad sūkšanas jauda samazinās, izberiet putekļus un iztīriet ciklona ierīces iekšpusi un filtrus neatkarīgi no tā, cik putekļu sakrāzies putekļu tvertnē.

IEVĒRĪBAI: Ja filtri tikuši mazgāti, pirms lietošanas rūpīgi tos nosusiniet. Nepietiekami nosusināti filtri var pasliktināt iesūci un saīsināt motora darbību.

IEVĒRĪBAI: Ja filtri un sūkļa loksne ir izņemti tīrīšanai, pirms lietošanas tie ir jāuzstāda atpakaļ. Ja putekļsūcēju izmanto bez filtriem un sūkļa loksnes, putekļi iekļūst motora korpusā un rada darbības traucējumus.

Ciklona ierīce

1. Vairākas reizes uzsitiet ar roku pa ciklona ierīci, lai atbrīvotos no putekļiem, kas pieķērušies pie ciklona un filtra iekšējās virsmas.

► Att.22: 1. Ciklona ierīce

2. Turot iesūkšanas atveri uz leju, pagrieziet ciklona ierīci, kā parādīts attēlā, savietojot atzīmi uz ciklona ar atzīmi uz putekļsūcēja korpusa, lai atbrīvotu fiksatoru. Pēc tam lēni un taisnā virzienā noņemiet ciklona ierīci no putekļsūcēja korpusa.

► Att.23: 1. Ciklona ierīce 2. Iesūkšanas atvere 3. Atzīmes 4. Filtrs

PIEZĪME: Izjaucot ciklona ierīci, putekļi var izplatīties gaisā. Ieteicams zem ciklona ierīces novietot atkritumu maisu.

3. Izslaukiet ciklona ierīces un filtra iekšpusi.

► Att.24

4. Uzlieciet ciklona ierīci atpakaļ uz putekļsūcēja korpusa, savietojot atzīmi uz ciklona ierīces ar atzīmi uz putekļsūcēja korpusa. Pēc tam pagrieziet ciklona ierīci, kā parādīts attēlā, līdz tā nofiksējas vietā.

► Att.25: 1. Ciklona ierīce 2. Putekļsūcēja korpusus 3. Atzīmes

Lielas caurlaidības filtrs

Papildu piederumi

1. Noņemiet ciklona ierīci no putekļsūcēja korpusa.

2. Turiet lielas caurlaidības filtra stiprinājuma galu un velciet to prom no putekļsūcēja korpusa.

► Att.26: 1. Lielas caurlaidības filtrs 2. Putekļsūcēja korpusus

3. Ar roku noslaukiet un nokratiet putekļus no lielas caurlaidības filtra.

► Att.27

4. Mazgājiet filtru ziepjūdenī, kad tas ir aizsērējis ar putekļiem un gružiem. Pirms lietošanas rūpīgi izžāvējiet to ēnā.

► Att.28

PIEZĪME: Pakarot lielas caurlaidības filtru žāvēties, nestipriniet to aiz stiprinājuma gala (gumijas blīvgredzena).

5. Turiet lielas caurlaidības filtra stiprinājuma galu un iespiediet to atpakaļ putekļsūcēja korpusā.

► Att.29: 1. Lielas caurlaidības filtrs 2. Putekļsūcēja korpusus

HEPA filtrs

Papildu piederumi

IEVĒRĪBAI: Nekasiet un neskrāpējiet HEPA filtru ar cietiem priekšmetiem, piemēram, suku vai lāpstīņu.

1. Noņemiet ciklona ierīci no putekļsūcēja korpusa.

2. Turiet HEPA filtra stiprinājuma galu (ko nosedz lielas caurlaidības priekšfiltrs) un velciet to prom no putekļsūcēja korpusa.

► Att.30: 1. HEPA filtrs (ko nosedz lielas caurlaidības priekšfiltrs) 2. Putekļsūcēja korpusus

3. Noņemiet lielas caurlaidības priekšfiltru no HEPA filtra, pagriežot to ar roku.

► **Att.31:** 1. Lielas caurlaidības priekšfiltrs 2. HEPA filtrs

4. Ar roku noslaukiet un nokratiet putekļus no lielas caurlaidības priekšfiltra un HEPA filtra.

► **Att.32**

5. Nomazgājiet lielas caurlaidības priekšfiltru un HEPA filtru ziepjūdenī. Pirms lietošanas vispirms noskaļojiet un tad rūpīgi izžāvējiet ēnā.

► **Att.33**

PIEZĪME: Pakarot HEPA filtru žāvēties, nestipriniet to aiz stiprinājuma gala (gumijas blīvgredzena).

6. Piestipriniet lielas caurlaidības priekšfiltru uz HEPA filtra.

► **Att.34:** 1. Lielas caurlaidības priekšfiltrs 2. HEPA filtrs

7. Turiet HEPA filtra stiprinājuma galu (ko nosedz lielas caurlaidības priekšfiltrs) un iespiediet to atpakaļ putekļsūcēja korpusā.

► **Att.35:** 1. HEPA filtrs (ko nosedz lielas caurlaidības priekšfiltrs) 2. Putekļsūcēja korpus

Sūkļa loksne

1. Noņemiet ciklona ierīci no putekļsūcēja korpusa.

2. Turiet filtra stiprinājuma galu un velciet to prom no putekļsūcēja korpusa.

► **Att.36:** 1. Filtrs 2. Putekļsūcēja korpus

3. Novelciet sūkļa loksni no iesūkšanas atveres.

► **Att.37:** 1. Sūkļa loksne 2. Iesūkšanas atvere

4. Ar roku noslaukiet un nokratiet putekļus no sūkļa.

► **Att.38**

5. Ja sūkļa loksne ir aizsērējusi ar putekļiem un gružiem, izmazgājiet to ziepjūdenī. Pirms lietošanas rūpīgi izžāvējiet to ēnā.

► **Att.39**

6. Novietojiet sūkļa loksni atpakaļ sākotnējā pozīcijā. Gādājiet, lai sūkļa loksnes labā un kreisā mala būtu nostiprināta ar aizturiem un nebūtu atstarpes starp sūkļa loksni un iesūkšanas atveri.

► **Att.40:** 1. Sūkļa loksne 2. Aizturis 3. Iesūkšanas atvere

7. Turiet filtra stiprinājuma galu un iespiediet to atpakaļ putekļsūcēja korpusā.

► **Att.41:** 1. Filtrs 2. Putekļsūcēja korpus

Tehniskā apkope, pamatojoties uz ierīces stāvokli

IEVĒRĪBAI: Izīriet sieta filtrus ciklona ierīcē, kad tie aizsērē. Izsmotojot putekļsūcēju ar aizsprostotu filtru vai putekļu maisu, tas var izraisīt pārkaršanu vai motora bojājumus.

Dziļā un vietējā tīrīšana jāveic atkarībā no darbarīka darbības snieguma.

Sieta filtrs

Tīklīdz putekļu tvertne ir piesārņojusies vai sieta filtrs ir aizsprostojies, noņemiet un nomazgājiet tos ar ūdeni. (Lai uzzinātu, kā tos noņemt, skatiet sadaļu "Putekļu izmešana".)

1. Cieši turiet putekļu tvertni un velciet to nost no ciklona korpusa, turot nospiestas atlaišanas pogas abās putekļu tvertnes pusēs.

► **Att.42:** 1. Putekļu tvertne 2. Ciklona korpus 3. Atlaišanas pogas

2. Pagrieziet sieta filtru, kā parādīts attēlā, lai atvieņotu fiksatoru. Pēc tam noņemiet to no ciklona korpusa.

► **Att.43:** 1. Sieta filtrs

3. Sadaliet sieta filtru trīs sastāvdaļās: priekšfiltrs, cauruļveida sūkļa filtrs un sieta caurule.

i Saspieties kopā sieta caurules augšgalā esošos vadotņu fiksatorus.

ii Izvadiet vadotņu fiksatorus caur vadotnes atveri priekšfiltra augšā.

iii Izvelciet priekšfiltru gar cauruļveida sūkļa filtru un sieta cauruli.

iv Noņemiet cauruļveida sūkļa filtru no sieta caurules.

► **Att.44:** 1. Priekšfiltrs 2. Cauruļveida sūkļa filtrs 3. Sieta caurule 4. Vadotnes fiksatori

5. Vadotnes atvere

4. Ar roku noslaukiet un nokratiet putekļus no sieta caurules.

► **Att.45**

5. Nomazgājiet filtrus un sieta cauruli ziepjūdenī, ja tie ir aizsprostoti ar putekļiem un gružiem. Pirms lietošanas rūpīgi izžāvējiet tos ēnā.

► **Att.46**

6. Samontējiet atpakaļ sieta filtru.

i Ievietojiet cauruļveida sūkļa filtru priekšfiltrā.

ii Ievietojiet sieta cauruli cauruļveida sūkļa filtrā un priekšfiltrā, izvadot sieta caurules augšgalā esošos vadotņu fiksatorus caur vadotnes atveri priekšfiltra augšgalā.

iii Bīdīet sieta cauruli cauri cauruļveida sūkļa filtram un priekšfiltram, līdz tā ar klikšķi nofiksējas vietā.

► **Att.47:** 1. Priekšfiltrs 2. Cauruļveida sūkļa filtrs 3. Sieta caurule 4. Vadotnes fiksatori

5. Vadotnes atvere

7. Iestipriniet sieta filtru atpakaļ ciklona korpusā, salāgojot āķus uz sieta filtra ar robiem ciklona korpusa iesūkšanas atverē. Grieziet sieta filtru pulkstenrādītāju kustības virzienā, līdz āķi ar klikšķi nofiksējas savās vietās. Pārliecinieties, vai sieta filtrs ir cieši nostiprināts.

► **Att.48:** 1. Sieta filtrs 2. Ciklona korpus 3. Āķis 4. Robs

Gaisa kanāli ciklona ierīcē

Iesūktie svešķermeņi var aizsprostot gaisa kanālus ciklona ierīcē un apgrūtināt gaisa plūsmu. Ja sūkšanas jauda ievērojami pavājinās, izīriet visus šķēršļus gaisa ceļā.

1. Izjauciet ciklona ierīci, sadalot to trīs daļās: putekļu tvertne, sieta filtrs un ciklona korpus.

► **Att.49:** 1. Putekļu tvertne 2. Sieta filtrs 3. Ciklona korpus 4. Putekļsūcēja korpus

2. Turiet nospiestu vadotnes fiksatoru uz ieklūdes caurules caur fiksācijas caurumu uz ciklona korpusa, izmantojot smailu instrumentu. Pēc tam noņemiet ieklūdes cauruli no ciklona korpusa.

► **Att.50:** 1. Ieklūdes caurule 2. Vadotnes fiksators
3. Ciklona korpus 4. Fiksācijas caurums

3. Iztīriet visu materiālu, kas atrodas gaisa kanālos.

Svešķermeņi parasti saķeras ap ieklūstošā gaisa atveri.

► **Att.51:** 1. Iesūkšanas atvere 2. Ieklūstošā gaisa atvere

4. Ievietojiet ieklūdes cauruli atpakaļ vietā, līdz tā droši nofiksējas.

► **Att.52:** 1. Ieklūdes caurule 2. Ciklona korpus 3. Bļivgredzens 4. Aizvara vārsts

IEVĒRĪBAI: Pirms montāžas pārliecinieties, vai bļivgredzens un aizvara vārsts ir droši nostiprināti savā vietā. Sūkšanas jauda var pasliktināties, ja ciklona ierīci darbina bez bļivgredzena un atloka vārsta tam paredzētajā vietā.

5. Samontējiet ciklona ierīci un piestipriniet to putekļsūcēja korpusam.

Kļūmju novēršana

Pirms vienoties par ierīces remontu, izvērtējiet šādas iespējas.

| Pazīme | Pārbaudāmā daļa | Risinājums |
|-----------------------|---|--|
| Maza iesūkšanas jauda | Vai putekļu tvertne vai ciklona ierīces iekšpuse nav pilna putekļu? | Iztukšot putekļu tvertni vai ciklona ierīces iekšpusi. |
| | Vai nav aizsprostoti filtri? | Izpurināt vai izmazgāt lielas caurlaidības filtru / HEPA filtru/sūkļa loksni/sieta filtru. |
| | Vai kaut kas neaizsprosto ieklūstošā gaisa kanālus? | Iztīrīt visus putekļus un priekšmetus no gaisa atverēm un kanāliem. |
| | Vai akumulatora kasetne nav izlādējusies? | Uzlādēt akumulatora kasetni. |
| Nedarbojas | Vai akumulatora kasetne nav izlādējusies? | Uzlādēt akumulatora kasetni. |
| Troksnis un vibrācija | Vai nav aizsprostoti filtri? | Izpurināt vai izmazgāt lielas caurlaidības filtru / HEPA filtru/sūkļa loksni/sieta filtru. |
| | Vai kaut kas neaizsprosto atveres vai caurumus? | Iztīrīt visus putekļus un priekšmetus no uzgaļiem, caurulēm un gaisa atverēm. |
| | Vai nav aizvērta uzgaļa vai caurules iesūkšanas atvere? | Atbrīvot un atvērt uzgaļa un caurules iesūkšanas atveri. |

⚠UZMANĪBU: Nemēģiniet tīrītāju remontēt patstāvīgi.

PAPILDU PIEDERUMI

⚠UZMANĪBU: Šādi piederumi un papildierīces tiek ieteiktas lietošanai ar šajā rokasgrāmatā aprakstīto Makita darbarīku. Izmantojot citus piederumus vai papildierīces, var tikt radīta trauma gūšanas bīstamība. Piederumu vai papildierīci izmantojiet tikai paredzētajam mērķim.

Ja jums vajadzīga palīdzība vai precīzāka informācija par šiem piederumiem, vērsieties savā tuvākajā Makita apkopes centrā.

- Pagarinājuma caurule (taisna caurule)
- Uzgalis
- Uzgalis paklājam
- Plauktu suka
- Stūru uzgalis
- Apaļā suka
- Lokanā šļūtene
- Jaudīgais filtrs
- HEPA filtrs
- Stiprinājuma uzgalis
- Spraugu uzgalis
- Instrumentu somiņa
- Makita oriģinālais akumulators un lādētājs

PIEZĪME: Daži sarakstā norādītie izstrādājumi var būt iekļauti instrumenta komplektācijā kā standarta piederumi. Tie dažādās valstīs var būt atšķirīgi.

ĮSPĖJIMAS

- Šį prietaisą leidžiama naudoti vaikams nuo 8 metų amžiaus ir asmenims, turintiems psichinių, jutiminių ar protinių negalių, arba žmonėms, neturintiems patirties bei žinių, su sąlyga, kad jie bus prižiūrimi arba instruktuojami apie tai, kaip saugiai naudoti šį prietaisą, ir supras atitinkamus pavojus.
- Neleiskite vaikams žaisti šiuo prietaisu. Be suaugusiųjų priežiūros vaikams draudžiama valyti ir techniškai prižiūrėti šį prietaisą.
- Akumulatoriaus tipą rasite nurodytą skyriuje „TECHNINĖS SĄLYGOS“.
- Kaip išimti ar įdėti akumuliatorių, skaitykite skyriuje „Akumulatoriaus kasetės įdėjimas ar išėmimas“.
- Kai išmetate akumulatoriaus kasetę, išimkite ją iš įrankio ir išmeskite saugioje vietoje. Vadovaukitės vietos reglamentais dėl akumuliatorių išmetimo.
- Jei įrankis bus ilgą laiką nenaudojamas, akumuliatorių būtina išimti iš įrankio.
- Nesudarykite akumulatoriaus kasetėje trumpojo jungimo.
- Atitinkamą informaciją apie atsargumo priemones atliekant naudotojui techninės priežiūros darbus rasite skyriuje „TECHNINĖ PRIEŽIŪRA“.

SPECIFIKACIJOS

| Modelis: | | CL003G |
|--|---------------------------------|--|
| Pajėgumas | | 250 ml / 400 ml (priklauso nuo šalies) |
| Nepertraukiamas naudojimas (su akumulatoriumi BL4025) | 1 (tylus režimas) | Maždaug 80 min. |
| | 2 (įprasto greičio režimas) | Maždaug 40 min. |
| | 3 (didelio greičio režimas) | Maždaug 25 min. |
| | 4 (maksimalaus greičio režimas) | Maždaug 16 min. |
| Bendrasis ilgis (su vamzdžiu, antgaliu ir akumulatoriumi BL4025) | | 1 106 mm |
| Vardinė įtampa | | Nuol. sr. maks. 36 V–40 V |
| Grynasis svoris | | 1,9 – 2,6 kg |

- Atliekame tęsinius tyrimus ir nuolatos tobuliname savo gaminius, todėl čia pateikiamos specifikacijos gali būti keičiamos be įspėjimo.
- Skirtingose šalyse specifikacijos gali skirtis.
- Svoris nurodytas be priedų, tačiau įskaičiuojant akumulatoriaus kasetę (-es). Mažiausias ir didžiausias prietaiso ir akumulatoriaus kasetės (-ių) svoris nurodyti lentelėje.

Tinkama akumulatoriaus kasetė ir (arba) įkroviklis

| | |
|-----------------------|---|
| Akumulatoriaus kasetė | BL4020* / BL4025* / BL4040* / BL4050F *: rekomenduojamas akumulatorius |
| Įkroviklis | DC40RA / DC40RB / DC40RC |

- Atsižvelgiant į gyvenamosios vietos regioną, kai kurios pirmiau nurodytos akumulatoriaus kasetės ir įkrovikliai gali būti neprieinami.

⚠️ ĮSPĖJIMAS: Naudokite tik akumulatoriaus kasetes ir įkroviklius, kurie nurodyti anksčiau. Naudojant bet kurias kitas akumulatoriaus kasetes ir įkroviklius, gali kilti sužeidimo ir gaisro pavojus.

Simboliai

Toliau yra nurodyti simboliai, kurie gali būti naudojami įrangai. Prieš naudodami įsitinkinkite, kad suprantate jų reikšmę.



Perskaitykite instrukcijų vadovą.



Šiam gaminiui tinkantis akumulatorius.



Ni-MH
Li-Ion

Taikoma tik ES šalims
Kadangi įrangoje yra pavojingų komponentų, panaudota elektrinė ir elektroninė įranga, akumulatoriai ir baterijos gali turėti neigiamą poveikio aplinkai ir žmonių sveikatai.
Nešalinkite elektros ir elektroninių prietaisų ar baterijų kartu su buitiniemis atliekomis! Pagal Europos direktyvą dėl elektros ir elektroninės įrangos atliekų bei akumuliatorių ir baterijų ir panaudotų akumuliatorių ir baterijų bei jos pritaikymą nacionaliniams įstatymams, panaudota elektros ir elektroninė įranga, baterijos ir akumulatoriai turi būti surenkami atskirai ir pristatomi į atskirą buitinių atliekų surinkimo punktą, kuris veikia pagal aplinkos apsaugos taisykles. Tai rodo perbrauktas konteinerio ant ratukų simbolis, pateiktas ant įrangos.

Numatytoji naudojimo paskirtis

Šis įrankis skirtas sausoms dulkėms surinkti.

SAUGOS ĮSPĖJIMAI

Saugos įspėjimai dėl belaidžio siurblio naudojimo

ĮSPĖJIMAS: SVARBU: PRIEŠ PRADĖDAMI NAUDOTI, ATIDŽIAI PERSKAITYKITE visus saugos įspėjimus ir nurodymus. Nesilaikydami toliau pateiktų įspėjimų ir instrukcijų, galite patirti elektros smūgį, gaisrą ir (arba) sunkų sužeidimą.

1. Saugokite įrankį nuo lietaus. Laikykite įrankį patalpoje.
2. Neleiskite vaikams naudoti šį gaminį kaip žaislą. Būtina atidžiai stebėti šį gaminį naudojančius vaikus arba jį naudojant šalia vaikų.
3. Naudokite tik taip, kaip aprašyta šiame vadove. Naudokite tik gamintojo rekomenduojamus priedus.
4. Nenaudokite su sugadintu akumulatoriumi. Jeigu prietaisas veikia netinkamai, buvo numestas, pažeistas, paliktas lauke arba įkrikęs į vandenį, atiduokite jį į techninės priežiūros centrą.
5. Nenaudokite prietaiso, jeigu jūsų rankos drėgnos.
6. Nekiškite jokių daiktų į angas. Nenaudokite, jeigu kuri nors anga yra užkimšta; angose neturi būti dulkių, pūkelių, plaukų ir jokių kitų daiktų, kurie galėtų sutrikdyti oro srautą.

7. Plaukus, laisvus drabužius, pirštus ir kitas kūno dalis laikykite kuo toliau nuo angų ir judamųjų dalių.
8. Prieš išimdami akumuliatorių, išjunkite visus valdiklius.
9. Būkite itin atsargūs, valydami laiptus.
10. Nenaudokite degiems arba sprogiems skysčiams, pavyzdžiui, gazolinui, surinkti ir nenaudokite tose vietose, kuriose gali būti šių medžiagų.
11. Kraukite tik gamintojo pateiktu krovikliu.
12. Nesiurbkite jokių degančių arba rūkstančių daiktų, pavyzdžiui, cigarečių, degtukų arba karštų pelenų.
13. Nenaudokite neįdėję dulkių maišelio ir (arba) filtrų.
14. Nekraukite akumulatoriaus lauke.
15. Įkraukite naudodami tik gamintojo nurodytą įkroviklį. Įkroviklis, kuris tinka vienam akumuliatorių tipui įkrauti, gali kelti gaisro pavojų, jei bus naudojamas su kitų tipų akumulatoriais.
16. Prietaisus naudokite tik su specialiai jiems skirtais akumulatoriais. Naudojant bet kurį kitą akumuliatorių, gali kilti sužeidimo ir gaisro pavojus.
17. Kai akumuliatorių blokas nėra naudojamas, laikykite jį toliau nuo kitų metalinių daiktų, pavyzdžiui, popieriaus sąvaržėlių, monetų, raktų, vinių, varžtų ir kitų mažų metalinių daiktų, dėl kurių gali kilti trumpasis jungimas tarp kontaktų.
18. Netinkamai naudojant iš akumulatoriaus gali ištekėti skysčio. Venkite sąlyčio su juo. Jei sąlytis atsitiktinai įvyko, gausiai nuplaukite vandeniu.
19. Nenaudokite sugedusio ar perdaryto akumulatoriaus arba prietaiso. Sugadinti arba modifikuoti akumulatoriai gali veikti neįprastai, todėl gali kilti gaisras, sprogiumas arba sužalojimo rizika.
20. Akumuliatorių ar prietaisą saugokite nuo ugnies ar pernelyg aukštos temperatūros. Dėl ugnies ar 130 °C viršijančios temperatūros gali kilti sprogiumas.
21. Laikykitės visų įkrovimo nurodymų ir nekraukite akumulatoriaus ar prietaiso, kai temperatūra neatitinka instrukcijoje nurodyto temperatūros intervalo. Netinkamai įkraunant arba įkraunant esant kitam, nei nustatytas temperatūros intervalas, gali būti sugadintas akumulatorius ar padidėti gaisro rizika.

SAUGOKITE ŠIAS INSTRUKCIJAS.

PAPILDOMOS SAUGOS TAISYKLĖS

Šis prietaisas skirtas naudoti tik namų ūkyje.

1. Prieš naudodami įrankį pirmą kartą, įdėdami perskaitykite šias ir įkroviklio vartotojo instrukcijas.
2. Nesiurbkite šių medžiagų:
 - Karštų medžiagų, pavyzdžiui, degančių cigarečių arba kibirkščių / metalo dulkių, susidariusių šlifuojant / pjaunant metalą

- Degių medžiagų, pavyzdžiui, gazolino, skiediklio, benzino, žibalo arba dažų
- Sprogių medžiagų, pavyzdžiui, nitroglicerino
- Degių medžiagų, pavyzdžiui, aliuminio, cinko, magnio, titano, fosforo arba celulioido
- Šlapio purvo, vandens, alyvos, tepalo arba panašių medžiagų
- Kietų daiktų aštriais kraštais, pavyzdžiui, medžio skiedrų, metalų, akmenų, stiklų, vinių, smeigtukų arba skutimo peiliukų
- Miltelių, kurie gali sukietėti, pavyzdžiui, cemento arba spausdintuvų dažų
- Laidžių dulkių, pavyzdžiui, metalo arba anglies
- Smulkių dalelių, pavyzdžiui, betono dulkių

Tokie veiksmai gali sukelti gaisrą, sužeisti ir (arba) padaryti žalos turtui.

3. Pastebėję ką nors neįprasto, tučtuojau nutraukite darbą.
4. Jei numesite ar sutrenksite siurbį, prieš naudojimą atidžiai patikrinkite, ar jis neįskilo ir nesugedo.
5. Nenaudokite įrankio arti viryklės ar kitų šilumos šaltinių.
6. Neužblokuokite įsiurbimo ar ventilacijos angų.

SAUGOKITE ŠIAS INSTRUKCIJAS.

Svarbios saugos instrukcijos, taikomos akumuliatoriaus kasetei

1. Prieš naudodami akumuliatoriaus kasetę, perskaitykite visas instrukcijas ir perspėjimus ant (1) akumuliatorių įkroviklio, (2) akumuliatorių ir (3) akumuliatorių naudojančio gaminio.
2. Neardykite ir negadinkite akumuliatoriaus kasetės. Dėl to ji gali užsidegti, per daug įkaisti arba sprogti.
3. Jei įrankio darbo laikas žymiai sutrumpėjo, nedelsdami nutraukite darbą su įrankiu. Tai gali kelti perkaitimo, nudegimų ar net sprogių pavojų.
4. Jei elektrolitas pateko į akis, plaukite jas tyru vandeniu ir nedelsdami kreipkitės į gydytoją. Gali kilti regėjimo praradimo pavojus.
5. Neužtrumpinkite akumuliatoriaus kasetės:
 - (1) Nelieskite kontaktų degiomis medžiagomis.
 - (2) Venkite laikyti akumuliatoriaus kasetę kartu su kitais metaliniais daiktais, pavyzdžiui, vinimis, monetomis ir pan.
 - (3) Saugokite akumuliatoriaus kasetę nuo vandens ir lietaus.

Trumpasis jungimas akumuliatoriuje gali sukelti stiprią srovę, perkaitimą, galimus nudegimus ar net akumuliatoriaus gedimą.

6. Nelaikykite ir nenaudokite įrankio ir akumuliatoriaus kasetės vietose, kur temperatūra gali pasiekti ar viršyti 50 °C (122 °F).

7. Nedeginkite akumuliatoriaus kasetės, net jei yra stipriai pažeista ar visiškai susidėvėjusi. Ugnyje akumuliatoriaus kasetė gali sprogti.
8. Akumuliatoriaus kasetės nekalkite, nepauskykite ir nemėtykite ir taip pat į ją netrankykite kietu daiktu. Taip elgiantis, ji gali užsidegti, per daug įkaisti arba sprogti.
9. Nenaudokite pažeisto akumuliatoriaus.
10. Įdėtoms ličio jonų akumuliatoriams taikomi Pavojingų prekių teisės akto reikalavimai. Komeracinis transportas, pvz., trečiųjų šalių, prekių vežimo atstovų, turi laikytis specialaus reikalavimo ant pakuotės ir ženklavimo. Norėdami paruošti siųstiną prekę, pasitarkite su pavojingų medžiagų specialistu. Be to, laikykitės galimai išsamesnių nacionalinių reglamentų. Užklijuokite juosta arba padenkite atvirus kontaktus ir supakuokite akumuliatorių taip, kad ji pakuotėje nejudėtų.
11. Kai išmetate akumuliatoriaus kasetę, išimkite ją iš įrankio ir išmeskite saugioje vietoje. Vadovaukitės vietos reglamentais dėl akumuliatorių išmetimo.
12. Baterijas naudokite tik su „Makita“ nurodytais gaminiais. Baterijas įdėjus į netinkamus gaminius gali kilti gaisras, gaminyje pernelyg įkaisti, kilti sproginimas arba pratekėti elektrolitas.
13. Jei įrankis bus ilgą laiką nenaudojamas, akumuliatorių būtina išimti iš įrankio.
14. Darbo metu ir po akumuliatoriaus kasetės gali būti įkaitusi ir dėl to nudeginti. Imdami akumuliatoriaus kasetes, būkite atsargūs.
15. Tuojau pat po naudojimo nelieskite įrankio gnybtų, nes jie gali būti įkaitę tiek, kad nudegins.
16. Nelieskite, kad į akumuliatoriaus kasetės gnybtus, angas ir griovelius patektų drožlių, dulkių ar žemių. Jos gali sukelti kaitimą, užsidegti, sprogti ir sukelti įrankio ar akumuliatoriaus kasetės gedimą, dėl ko galima nusidiegti ar susižaloti.
17. Jeigu įrankis nėra pritaikytas naudoti šalia aukštos įtampos elektros linijų, akumuliatoriaus kasetės nenaudokite šalia aukštos įtampos elektros linijų. Dėl to gali sutrikti įrankio ar akumuliatoriaus kasetės veikimas arba jie gali sugesti.
18. Laikykite akumuliatorių vaikams nepasiekiamoje vietoje.

SAUGOKITE ŠIAS INSTRUKCIJAS.

⚠️ PERSPĖJIMAS: Naudokite tik originalų „Makita“ akumuliatorių. Neoriginalaus „Makita“ arba pakeisto akumuliatoriaus naudojimas gali nulemti gaisrą, asmens sužalojimą ir pažeidimą. Tai taip pat panaikina „Makita“ suteikiamą „Makita“ įrankio ir įkroviklio garantiją.

Patarimai, ką daryti, kad akumuliatorius veiktų kuo ilgiau

1. Pakraukite akumuliatoriaus kasetę prieš jai visiškai išsikraunant. Visuomet nustokite naudoti įrankį ir pakraukite akumuliatoriaus kasetę, kai pastebite, kad įrankio galia sumažėjo.
2. Niekada nekraukite iki galo įkrautos akumuliatoriaus kasetės. Perkraunant trumpėja akumuliatoriaus eksploatacijos laikas.
3. Akumuliatoriaus kasetę kraukite esant kambario temperatūrai 10 - 40 °C. Prieš pradėdami krauti, leiskite įkaitusiai akumuliatoriaus kasetei atvėsti.
4. Kai akumuliatoriaus kasetės nenaudojate, ją išimkite iš įrankio ar įkroviklio.
5. Įkraukite akumuliatoriaus kasetę, jei jos nenaudojate ilgą laiką (ilgiau nei šešis mėnesius).

VEIKIMO APRAŠYMAS

▲ PERSPĖJIMAS: Prieš pradėdami reguliuoti arba tikrinti įrankio veikimą, visuomet būtinai išjunkite įrankį ir išimkite akumuliatoriaus kasetę.

▲ PERSPĖJIMAS: Įkraudami akumuliatorių, būkite atsargūs, kad jūsų pirštas (-ai) neužstrigtų tarp siurblio ir akumuliatoriaus, kaip parodyta paveikslėlyje. Įstrigus pirštui (-ams), galite susižeisti.

► Pav.1

Akumuliatoriaus kasetės uždėjimas ir nuėmimas

▲ PERSPĖJIMAS: Prieš įdėdami arba išimdami akumuliatoriaus kasetę, visada išjunkite įrankį.

▲ PERSPĖJIMAS: Įdėdami arba išimdami akumuliatoriaus kasetę, tvirtai laikykite įrankį ir akumuliatoriaus kasetę. Jeigu įrankį ir akumuliatoriaus kasetę laikysite netvirtai, jie gali išslysti iš jūsų rankų, todėl įrankis ir akumuliatoriaus kasetė gali būti sugadinti, o naudotojas sužalotas.

► Pav.2: 1. Raudonas sandariklis (indikatorius)
2. Mygtukas 3. Akumuliatoriaus kasetė

Jei norite išimti akumuliatoriaus kasetę, ištraukite ją iš įrankio, stumdami mygtuką, esantį kasetės priekyje.

Jei norite įdėti akumuliatoriaus kasetę, ant akumuliatoriaus kasetės esantį liežuvėlį sutapdinkite su korpuse esančiu grioveliu ir įstumkite jį ai skirtą vietą. Įstatykite iki pat galo, kad spragtelėdama užsifikuotų. Jeigu matote raudoną sandariklį (indikatorių), kaip parodyta paveikslėlyje, ji nėra visiškai užfiksuota.

▲ PERSPĖJIMAS: Akumuliatoriaus kasetę visada įkiškite iki galo, kol nebamatsite raudono sandariklio (indikatoriaus) Priešingu atveju ji gali atsitiktinai iškristi iš įrankio ir sužeisti jus arba aplinkinius.

▲ PERSPĖJIMAS: Nekiškite akumuliatoriaus kasetės jėga. Jeigu kasetė sunkiai lenda, ją kišate netinkamai.

Akumuliatoriaus apsaugos sistema

Įrankyje įrengta įrankio / akumuliatoriaus apsaugos sistema. Ši sistema automatiškai atjungia variklio maitinimą, kad įrankis ir akumuliatorius ilgiau veiktų. Įrankis automatiškai išsijungs darbo metu esant vienai iš toliau nurodytų įrankio arba akumuliatoriaus darbo sąlygų.

Perkrautas:

Įrankis / akumuliatorius naudojamas taip, kad jame neįprastai padidėja elektros srovė. Tokiu atveju atleiskite įrankio gaiduką ir nutraukite darbą, dėl kurio kilo įrankio perkrova. Po to vėl įjunkite įrankį. Jei įrankis neįsijungia, vadinasi, perkaite įrankis (akumuliatorius). Tokiu atveju leiskite įrankiui (akumuliatoriui) atvėsti prieš vėl jį įjungdami.

Žema akumuliatoriaus įtampa:

Likusi akumuliatoriaus energija per maža ir įrankis negali veikti. Tokiu atveju išimkite akumuliatorių ir įkraukite jį.

Apsaugos dėl kitų priežasčių

Apsaugos sistema taip pat apsaugo nuo kitų priežasčių, galinčių pažeisti įrankį, todėl automatiškai jį išjungia. Įrankiui laikinai sustojus arba veikimo metu išsijungus, imkitės visų toliau nurodytų veiksmų ir pašalinkite to priežastis.

1. Išjunkite įrankį, tada vėl įjunkite, kad paleistumėte iš naujo.
2. Įkraukite akumuliatorių (-ius) arba jį (juos) pakeiskite įkrautu (-ais) akumuliatoriumi (-iais).
3. Palaukite, kol įrankis ir akumuliatorius (-iai) atvės.

Jei, atkūrus apsaugos sistemą, veikimas nepagerėja, kreipkitės į vietos „Makita“ priežiūros centrą.

Likusios akumuliatoriaus galios rodymas

Paspauskite akumuliatoriaus kasetės tikrinimo mygtuką, kad būtų rodoma likusi akumuliatoriaus energija. Maždaug trims sekundėms užsiedgs indikatorių lemputės.

► Pav.3: 1. Indikatorių lemputės 2. Tikrinimo mygtukas

| Indikatorių lemputės | | | Likusi galia |
|----------------------|-----------|--------|--|
| Šviečia | Nešviečia | Blyksi | |
| ■ | □ | ▣ | 75 - 100 % |
| ■ ■ ■ | □ | ▣ | 50 - 75 % |
| ■ ■ | □ □ | ▣ | 25 - 50 % |
| ■ | □ □ □ | ▣ | 0 - 25 % |
| ▣ | □ □ □ □ | ▣ | Įkraukite akumuliatorių. |
| ■ ■ □ □ | □ □ | ▣ | Galimai įvyko akumuliatoriaus veikimo triktis. |
| □ □ ■ ■ | □ □ | ▣ | |





PASTABA: Rodmuo gali šiek tiek skirtis nuo faktinės energijos lygio – tai priklauso nuo naudojimo sąlygų ir aplinkos temperatūros.

PASTABA: Veikiant akumuliatoriaus apsaugos sistemai išs mirksėti pirmoji (toliausiai kairėje) indikatorius lemputė.

Jungiklio veikimas

- **Pav.4:** 1. Siurbimo galios keitimo mygtukas
2. ĮJUNGIMO / IŠJUNGIMO mygtukas

Norėdami įjungti siurbį, tiesiog paspauskite mygtuką ĮJUNGIMO / IŠJUNGIMO. Norėdami išjungti, vėl paspauskite mygtuką ĮJUNGIMO / IŠJUNGIMO. Galite pakeisti siurblio siurbimo galią keturiais žingsniais, paspaudę siurbimo galios pakeitimai mygtuką. Kiekviena mygtuko paspaudimu cikliška kartojami tylus / įprastas / didelis / maksimalus režimai.

| Lygis | Rodinyis | Režimas |
|-------|---|-----------------------------|
| 1 |  | Tylus režimas |
| 2 |  | Įprasto greičio režimas |
| 3 |  | Didelio greičio režimas |
| 4 |  | Maksimalaus greičio režimas |

PASTABA: Prieš įjungdami siurbį, galite pakeisti siurbimo galią.

PASTABA: Siurblys pradeda veikti ta pačia siurbimo galia, kaip veikė paskutinį kartą.

Lemputės uždegimas

▲PERSPĖJIMAS: Nežiūrėkite tiesiai į šviesą arba šviesos šaltinį.

Norėdami įjungti lemputę, paspauskite siurblio galios keitimo mygtuką. Lemputė išsijungia maždaug po 10 sekundžių.

Kai siurblys veikia, įsijungia lemputė.

Išjungus siurbį, lemputė užgesa maždaug po 10 sekundžių.

PASTABA: Kai likusi akumuliatoriaus galia pradeda sėkti, pradeda žybcioti lemputė. Laikas, kuriam praejus lemputė pradeda žybcioti, priklauso nuo darbo vietoje esančios temperatūros ir akumuliatoriaus kasetės būklės.

- **Pav.5:** 1. Siurbimo galios keitimo mygtukas
2. ĮJUNGIMO / IŠJUNGIMO mygtukas
3. Lemputė

DALIŲ APRAŠYMAS

Priklauso nuo šalies

► **Pav.6**

| | | | | | | | |
|---|---|---|---|---|--------------------|---|--------------------------|
| 1 | 250 ml dulkių dėklas (pasirinktinis priedas) | 2 | 400 ml dulkių dėklas (pasirinktinis priedas) | 3 | Tinklinis filtras | 4 | Cikloninis korpusas |
| 5 | Didelio efektyvumo filtras (filto rėmas – pilkos spalvos) (pasirinktinis priedas) | 6 | HEPA filtras (filto rėmas – baltos spalvos) (pasirinktinis priedas) | 7 | Kempininis lakštas | 8 | Dulkių siurblio korpusas |
| 9 | Dirželis riešui (priklauso nuo šalies) | - | - | - | - | - | - |

SURINKIMAS

▲PERSPĖJIMAS: Prieš darydami ką nors įrankiui visada patikrinkite, ar įrenginys išjungtas, o akumuliatorių kasetė – nuimta.

PASTABA: Prieš pradėdami naudoti užtikrinkite, kad visi priedai ir komponentai būtų tinkamai užfiksuoti.

Dulkių siurblio priedų montavimas ir nuėmimas

▲PERSPĖJIMAS: Pritvirtinę priedus patikrinkite, ar jie patikimai įrengti. Jei priedus pritvirtinsite netinkamai, jie gali nukristi ir sužaloti.

▲PERSPĖJIMAS: Būkite atsargūs, kad nuimdami priedą nestuktelėtumėte ranka į sieną ir pan.

Priedo naudojimas su užrakto funkcija

Ilginamąjį vamzdį pritvirtinsite įstatę jį į siurblio įsiurbimo angą, kol išgirsite spragtelėjimą. Patikrinkite, ar priedas įsitvirtino.

- **Pav.7:** 1. Įsiurbimo anga 2. Priedas su užrakto funkcija 3. Kablys

PASTABA: Įdėdami priedą su užrakto funkcija, sulygiuokite dulkių siurblio atleidimo mygtuką su priedo kabliuku. Jų nesulygiavus, priedas nebus užfiksuotas ir gali nukristi nuo dulkių siurblio.

Norėdami nuimti priedą, nutraukite jį nuo dulkių siurblio, spausdami ir laikydami atlaisvinimo mygtuko svirtelės.

- **Pav.8:** 1. Atlaisvinimo mygtukas 2. Atlaisvinimo mygtuko svirtelė 3. Priedas su užrakto funkcija 4. Įsiurbimo anga

Priedo naudojimas be užrakinimo funkcijos

PASTABA: Siekdami įrengti priedą be užrakinimo funkcijos, įkiškite jį į dulkių siurblio įsiurbimo angą, pasukdami, kaip parodyta paveikslėlyje. Norėdami atjungti priedą, atleiskite jį nuo dulkių siurblio, pasukdami, kaip parodyta paveikslėlyje. Nesukite priedo priešinga kryptimi, nei rodo rodyklė paveikslėlyje, kadangi galite atlaisvinti cikloninį bloką.

► Pav.9

NAUDOJIMAS

⚠ PERSPĖJIMAS: Kai naudojate siurbį, neprikiškite veido pernelyg arti oro vėdinimo angos. Į akis nupūtus pašalinių medžiagų galima sužaloti.

PASTABA: Nenaudokite dulkių siurblio horizontalioje padėtyje arba nukreipę aukštyn. Kitaip gali užsikimšti tinklinis filtras.

PASTABA: Dulkių siurbį naudokite tik sumontavę filtrus. Naudojant dulkių siurbį be filtrų, gali sutrikti variklio veikimas.

PASTABA: Cikloninio bloko dulkių dėklui pripildžius dulkių, ištuštinkite jį. Toliau naudojant sumažės siurbimo jėga.

Cikloninis blokas padeda sumažinti į dulkių siurbį patenkančių dulkių kiekį ir leidžia pagerinti siurbimą, paprastai ir lengvai pašalinant dulkes.

Valymas (siurbimas)

Antgalis

Tik su 250 ml dulkių dėklu

Norėdami išvalyti stalus, suolus, baldus ir t. t., pritvirtinkite antgalį. Antgalį galima lengvai užmauti.

► Pav.10: 1. Antgalis

Antgalis bei ilginamasis vamzdis (tiesus vamzdis)

Ilginamasis vamzdis tvirtinamas prie siurblio ir prie antgalio. Jis yra labai patogus grindims valyti stovint.

► Pav.11: 1. Siurblio korpusas 2. Ilginimo lazdelė 3. Antgalis

Kampinis antgalis

Norėdami valyti kampus ir siaurus automobilio ar baldų plyšius, uždėkite kampinį antgalį.

► Pav.12: 1. Kampinis antgalis 2. Siurblio korpusas

Kampinį antgalį galite laikyti antgalio laikiklyje.

► Pav.13: 1. Antgalio laikiklis 2. Kampinis antgalis

⚠ PERSPĖJIMAS: Būkite atsargūs, kad pirštas (-ai) neįstrigtų tarp kampinio antgalio ir antgalio laikiklio. Įstrigus pirštui (-ams), galite susižeisti.

Kampinis antgalis ir ilginamasis vamzdis (tiesus vamzdis)

Siauros vietoms, kur siurblys negali įsisprausti, ar aukštos vietoms, kur sunku pasiekti, naudokite šį ilginamąjį vamzdį.

► Pav.14: 1. Kampinis antgalis 2. Ilginimo lazdelė 3. Siurblio korpusas

Valymas nenaudojant antgalio

Tik su 250 ml dulkių dėklu

Galite surinkti miltelius ir dulkes nenaudodami antgalio.

► Pav.15

Norint surinkti ant grindų nusėdusias dulkes stovint, dirbti bus patogus pritvirtinus prie dulkių siurblio ilginamąjį (tiesųjį) vamzdį.

► Pav.16: 1. Ilginamasis vamzdis

Dulkių išmetimas

⚠ PERSPĖJIMAS: Prieš siurblyje susikaupiant per daug dulkių, ištuštinkite jas, nes įsiurbimo galia susilpnės.

⚠ PERSPĖJIMAS: Surinkdami būkite atsargūs, kad neįstrigtų pirštas (-ai) tarp dulkių dėklo ir cikloninio korpuso.

Išmeskite sukauptas dulkes, kaip nurodyta, kol jų lygis neviršijo dulkių šalinimo linijos.

1. Nukreipkite dulkių siurblio galvutę žemyn ir, tvirtai laikydami dulkių dėklą, nutraukite jį nuo cikloninio korpuso, tuo pat metu spausdami ir laikydami atlaisvinimo mygtukus, įrengtus abiejose dulkių dėklo pusėse.

► Pav.17: 1. Dulkių šalinimo linija 2. Dulkių dėklas 3. Atlaisvinimo mygtukai 4. Tinklinis filtras

2. Ištuštinkite dulkių dėklą ir išvalykite susikaupusias dulkes iš tinklinio filtro.

► Pav.18

3. Sumontuokite dulkių dėklą atgal ant cikloninio korpuso ir užfiksuokite jį vietoje spausdukais.

► Pav.19: 1. Dulkių dėklas 2. Atlaisvinimo mygtukai 3. Cikloninis korpusas

⚠ PERSPĖJIMAS: Iš dulkių dėklo šalinamos dulės gali pasklisti. Būkite atsargūs, kad dulkių nepatektų į akis.

PASTABA: Jei dulkių dėklas užsiteršė, nuimkite jį ir išplaukite vandeniu. Prieš surinkdami ir naudodami toliau, kruopščiai išdžiovinkite dulkių dėklą.

PASTABA: Prieš pradėdami naudoti užtikrinkite, kad visi priedai ir komponentai būtų tinkamai užfiksuoti.

PASTABA: Jei po dulkių išmetimo ir tinklinio filtro išvalymo siurbimo jėga neatsinaujina, patikrinkite, ar nėra susikaupusių dulkių cikloniniame korpuso bei ar nėra kamščių.

TECHNINĖ PRIEŽIŪRA

▲ PERSPĖJIMAS: Visuomet įsitikinkite, ar frankis yra išjungtas ir akumuliatoriaus kasėtė yra nuimta prieš atlikdami apžiūrą ir priežiūrą.

PASTABA: Niekada nenaudokite gazolino, benzino, tirpiklio, spirito arba panašių medžiagų. Gali atsirasti išblukimų, deformacijų arba įtrūkimų.

Gaminį taisyti, apžiūrėti ar vykdyti bet kokią kitą priežiūrą ar derinimą turi įgaliotasis kompanijos „Makita“ techninės priežiūros centras, kad gaminys būtų SAUGUS ir PATIKIMAS, reikia naudoti tik kompanijos „Makita“ pagamintas atsargines dalis.

Po naudojimo

▲ PERSPĖJIMAS: Pastačius siurblių prie sienos be jokios kitos atramos, siurblys gali nukristi ir sužaloti arba jis gali būti sugadintas.

► Pav.20

Reguliari techninė priežiūra

PASTABA: Jei filtrai cikloniniame bloke užsikimšo, juos išvalykite. Toliau naudojant nepašalinus kamščio, įrenginys gali perkaisti arba gali sutrikti variklio veikimas.

PASTABA: Nenupūskite ant siurblio ir filtrų prilipusių dulkių orpūte. Ji pripučia dulkių į korpusą ir sukelia gedimų.

Siekiant atkurti įprastą darbinę sąlygą, būtina eina-
moji techninė priežiūra.

Siurblio korpusas

Nuvalykite dulkių siurblio (korpuso) išorę, naudodami muiliname vandenyje sudrėkintą šluostę. Taip pat išvalykite siurbimo angas.

► Pav.21

Cikloninis blokas ir filtrai

PASTABA: Sumažėjus siurbimo jėgai, neatsi-
žvelgiant į dulkių dėkle susikaupusių dulkių kiekį išbėrkite dulkes ir išvalykite cikloninio bloko bei filtrų vidų.

PASTABA: Išplovę filtrus, prieš naudodami juos gerai išdžiovinkite. Jei filtrai bus nepakankamai sausi, gali sumažėti įsiurbimo galia ir sutrumpėti variklio naudojimo laikas.

PASTABA: Išvalę filtrus ir kempininį lakštą, prieš naudodami būtinai juos įrenkite atgal. Jei naudosite dulkių siurblių be filtrų ir kempininio lakšto, į variklio korpusą pateks dulkių ir atsiras veikimo sutrikimų.

Cikloninis blokas

1. Ranka kelis kartus patapšnokite cikloninį bloką, kad pašalintumėte prie cikloninio bloko ir filtro vidinio paviršiaus prikibusias dulkes.

► Pav.22: 1. Cikloninis blokas

2. Nukreipę įsiurbimo angą žemyn, pasukite cikloninį bloką, kaip parodyta paveikslėlyje, sulygiuodami cikloninio bloko rodyklę su atitinkama rodykle ant dulkių siurblio korpuso, kad atjungtumėte užraktą. Tada lėtai ir tiesiai atjunkite cikloninį bloką nuo dulkių siurblio korpuso.

► Pav.23: 1. Cikloninis blokas 2. Įsiurbimo anga
3. Rodyklės 4. Filtras

PASTABA: Ardant cikloninį bloką, gali pasklisti dulkių. Rekomenduojama po cikloniniu bloku padėti šiukšlių maišą.

3. Pašalinkite dulkes iš cikloninio bloko ir filtro.

► Pav.24

4. Uždėkite cikloninį bloką atgal ant dulkių siurblio korpuso, sulygiuodami cikloninio bloko rodyklę su rodykle ant dulkių siurblio korpuso. Tada pasukite cikloninį bloką, kaip parodyta paveikslėlyje, kad jis būtų užfiksuotas.

► Pav.25: 1. Cikloninis blokas 2. Dulkių siurblio korpusas 3. Rodyklės

Didelio efektyvumo filtras

Pasirenkamas priedas

1. Nuimkite cikloninį bloką nuo dulkių siurblio korpuso.

2. Laikydami didelio efektyvumo filtro montavimo galą, nutraukite jį nuo dulkių siurblio korpuso.

► Pav.26: 1. Didelio efektyvumo filtras 2. Dulkių siurblio korpusas

3. Ranka nubraukite ir nupurtykite dulkes nuo didelio efektyvumo filtro.

► Pav.27

4. Kai didelio efektyvumo filtras užsikemša dulkėmis bei nešvarumais, išplaukite jį muiliniu vandeniu. Prieš naudodami, visiškai jį išdžiovinkite pavėsyje.

► Pav.28

PASTABA: Venkite tvirtinti didelio efektyvumo filtro priedo galą (guminį sandarinimo žiedą), kai kabinatė jį džiovininti.

5. Paimkite už didelio efektyvumo filtro montavimo galo ir įspauskite jį atgal į dulkių siurblio korpusą.

► Pav.29: 1. Didelio efektyvumo filtras 2. Dulkių siurblio korpusas

HEPA filtras

Pasirenkamas priedas

PASTABA: Netrinkite arba negrandykite HEPA filtro kietais daiktais, pvz., šepetiais ar mentelėmis.

1. Nuimkite cikloninį bloką nuo dulkių siurblio korpuso.

2. Laikydami HEPA filtro (uždengto didelio efektyvumo priešfiltru) montavimo galą, nutraukite jį nuo dulkių siurblio korpuso.

► Pav.30: 1. HEPA filtras (uždengtas didelio efektyvumo priešfiltru) 2. Dulkių siurblio korpusas

3. Ranka atsukite ir nuimkite didelio efektyvumo priešfiltrą nuo HEPA filtro.

► **Pav.31:** 1. Didelio efektyvumo priešfiltras 2. HEPA filtras

4. Ranka nubraukite ir nupurtykite dulkes nuo didelio efektyvumo priešfiltro bei HEPA filtro.

► **Pav.32**

5. Išplaukite didelio efektyvumo priešfiltrą ir HEPA filtrą muilinu vandeniu. Prieš naudodami išskalaukite ir kruopščiai išdžiovinkite juos pavėsyje.

► **Pav.33**

PASTABA: Venkite tvirtinti HEPA filtro priedo galą (guminį sandarinimo žiedą), kai kabinatė jį džiovinanti.

6. Prijunkite didelio efektyvumo priešfiltrą prie HEPA filtro.

► **Pav.34:** 1. Didelio efektyvumo priešfiltras 2. HEPA filtras

7. Laikydami HEPA filtro (uždengto didelio efektyvumo priešfiltru) montavimo galą, įspauskite jį atgal į dulkių siurblio korpusą.

► **Pav.35:** 1. HEPA filtras (uždengtas didelio efektyvumo priešfiltru) 2. Dulkių siurblio korpusas

Kempininis lakštas

1. Nuimkite cikloninį bloką nuo dulkių siurblio korpuso.

2. Laikydami filtro montavimo galą, nutraukite jį nuo dulkių siurblio korpuso.

► **Pav.36:** 1. Filtras 2. Dulkių siurblio korpusas

3. Nutraukite kempininį lakštą nuo siurbimo angos.

► **Pav.37:** 1. Kempininis lakštas 2. Siurbimo anga

4. Ranka nubraukite ir nupurtykite dulkes nuo kempininio lakšto.

► **Pav.38**

5. Kai kempininis lakštas užsikemša dulkėmis bei nešvarumais, išplaukite jį muilinu vandeniu. Prieš naudodami, visiškai jį išdžiovinkite pavėsyje.

► **Pav.39**

6. Įdėkite kempininį lakštą atgal į pradinę padėtį. Užtikrinkite, kad kairysis ir dešinysis kempininio lakšto kraštai būtų užfiksuoti stabdikliais ir neliktų tarpo tarp kempininio lakšto ir siurbimo angos.

► **Pav.40:** 1. Kempininis lakštas 2. Stabdiklis 3. Siurbimo anga

7. Paimkite už filtro montavimo galo ir įspauskite jį atgal į dulkių siurblio korpusą.

► **Pav.41:** 1. Filtras 2. Dulkių siurblio korpusas

Techninė priežiūra pagal eksploatacinius parametrus

PASTABA: Cikloniniame bloke esančiam tinkliniam filtrui užsikimšus, išvalykite jį. Toliau naudojant nepašalinus kamščio, įrenginys gali perkaisti arba gali sutrikti variklio veikimas.

Atsižvelgiant į įrankio veikimą, reikia vykdyti giluminį ir taškinį valymą.

Tinklinis filtras

Jei dulkių dėklas užsiteršia ar tinklinis filtras užsikemša, išimkite juos ir plaukite vandeniu. (Žiūrėkite skyrių „Dulkių išmetimas“.)

1. Tvirtai laikydami dulkių dėklą, nutraukite jį nuo cikloninio korpuso, tuo pat metu spausdami ir laikydami atlaisvinimo mygtukus, įrengtus abiejose dulkių dėklo pusėse.

► **Pav.42:** 1. Dulkių dėklas 2. Cikloninis korpusas 3. Atlaisvinimo mygtukai

2. Norėdami atjungti užrakta, pasukite tinklinį filtrą, kaip parodyta paveikslėlyje. Tada atjunkite jį nuo cikloninio korpuso.

► **Pav.43:** 1. Tinklinis filtras

3. Išardykite tinklinį filtrą į tris komponentus: priešfiltrą, vamzdinį kempininį filtrą ir tinklinį vamzdį.

i Suspauskite kreipiamuosius stabdiklius, įrengtus tinklinio vamzdžio viršuje.

ii Prakiškite kreipiamuosius stabdiklius žemyn pro kreipiamąją kiaurymę, įrengtą priešfiltro viršuje.

iii Patraukite priešfiltrą išilgai vamzdinio kempininio filtro ir tinklinio vamzdžio.

iv Nuimkite vamzdinį kempininį filtrą nuo tinklinio vamzdžio.

► **Pav.44:** 1. Priešfiltras 2. Vamzdis kempininis filtras 3. Tinklinis vamzdis 4. Kreipiamieji stabdikliai 5. Kreipiamoji kiaurymė

4. Ranka nubraukite ir nupurtykite dulkes nuo filtro bei tinklinio vamzdžio.

► **Pav.45**

5. Išplaukite dulkėmis ir nešvarumais užsikimšusius filtras bei tinklinį vamzdį muilinu vandeniu. Prieš naudodami, visiškai juos išdžiovinkite pavėsyje.

► **Pav.46**

6. Surinkite tinklinį filtrą.

i Įkiškite vamzdinį kempininį filtrą į priešfiltrą.

ii Įkiškite tinklinį vamzdį į vamzdinį kempininį filtrą bei priešfiltrą, prakišdami tinklinio vamzdžio viršuje esančius kreipiamuosius stabdiklius pro kreipiamąją kiaurymę priešfiltro viršuje.

iii Prakiškite tinklinį vamzdį pro vamzdinį kempininį filtrą ir priešfiltrą, kad spragtelėdami užsirakintų.

► **Pav.47:** 1. Priešfiltras 2. Vamzdis kempininis filtras 3. Tinklinis vamzdis 4. Kreipiamieji stabdikliai 5. Kreipiamoji kiaurymė

7. Prijunkite tinklinį filtrą atgal prie cikloninio korpuso, sulygiuodami tinklinio filtro kabliukus su cikloninio korpuso išsiurbimo angomis. Pasukite tinklinį filtrą, kaip parodyta paveikslėlyje, kol kabliukai užsirakins spragtelėdami. Užtikrinkite, kad tinklinis filtras būtų sumontuotas patikimai.

► **Pav.48:** 1. Tinklinis filtras 2. Cikloninis korpusas 3. Kabliukas 4. Anga

Oro kanalai cikloniniame bloke

Įsiurbiamos pašalinės medžiagos gali blokuoti oro kanalus cikloniniame bloke ir apsunkinti oro srautus. Jei pastebėjote reikšmingai sumažėjusį siurbimo našumą, pašalinkite kliūtis iš oro kanalo.

1. Išardykite cikloninį bloką į tris komponentus: dulkių dėklą, tinklinį filtrą ir cikloninį korpusą.

► **Pav.49:** 1. Dulkių dėklas 2. Tinklinis filtras
3. Cikloninis korpusas 4. Dulkių siurblio korpusas

2. Naudodami smailą įrankį, pro cikloninio korpuso užrakinimo kiaurymę paspauskite ir palaikykite įleidimo vamzdžio kreipiamąjį stabdiklį. Tada atjunkite įleidimo vamzdį nuo cikloninio korpuso.

► **Pav.50:** 1. Įleidimo vamzdis 2. Kreipiamasis stabdiklis 3. Cikloninis korpusas 4. Užrakinimo kiaurymė

3. Išvalykite visas oro kanaluose rastas medžiagas.

Aplink oro įleidimo angą gali prikibti pašalinių medžiagų.
► **Pav.51:** 1. Įsiurbimo anga 2. Oro įleidimo anga

4. Įkiškite įleidimo vamzdį atgal į vietą, kad jis būtų saugiai užrakintas.

► **Pav.52:** 1. Įleidimo vamzdis 2. Cikloninis korpusas
3. Sandarinimo žiedas 4. Atlenkiamasis vožtuvas

PASTABA: Prieš pakartotinai surinkdami, užtikrinkite, kad sandarinimo žiedas ir atlenkiamasis vožtuvas būtų saugiai sumontuoti vietoje. Jei cikloninis blokas veiks be sandarinimo žiedo ir atlenkiamąjo vožtuvo, gali nukentėti siurbimo veiksmingumas.

5. Surinkite cikloninį bloką ir prijunkite jį prie dulkių siurblio korpuso.

Trikčių šalinimas

Prieš kreipdamiesi dėl remonto, patikrinkite šiuos punktus.

| Požymis | Tikrintina sritis | Ištaisymo būdas |
|------------------------|--|---|
| Silpna siurbimo galia | Galbūt dulkių dėklas arba vidinis cikloninis blokas pilnas dulkių? | Ištuštinkite dulkių dėklą arba vidinį cikloninį bloką. |
| | Galbūt užsikimšo filtrai? | Nupurtykite arba nuplaukite didelio efektyvumo filtrą / HEPA filtrą / kempininį lakštą / tinklinį filtrą. |
| | Galbūt kažkas blokuoja oro įsiurbimo kanalus? | Išvalykite iš oro angų ir kanalų visas dulkes bei pašalines medžiagas. |
| | Galbūt išsikrovė akumulatoriaus kasetė? | Įkraukite akumulatoriaus kasetę. |
| Neveikia | Galbūt išsikrovė akumulatoriaus kasetė? | Įkraukite akumulatoriaus kasetę. |
| Triukšmas ir vibracija | Galbūt užsikimšo filtrai? | Nupurtykite arba nuplaukite didelio efektyvumo filtrą / HEPA filtrą / kempininį lakštą / tinklinį filtrą. |
| | Ar kas nors blokuoja angas arba kiaurymes? | Išvalykite iš antgalių, vamzdžių ir oro angų visas dulkes bei pašalines medžiagas. |
| | Ar uždaryta antgalio arba vamzdžio įsiurbimo anga? | Atidinkite ir atidarykite antgalio bei vamzdžio įsiurbimo angą. |

▲ PERSPĖJIMAS: Nebandykite taisyti siurblio patys.

PASIRENKAMI PRIEDAI

▲ PERSPĖJIMAS: Šiuos papildomus priedus arba įtaisus rekomenduojama naudoti su šioje instrukcijoje nurodytu „Makita“ bendrovės įrankiu. Naudojant bet kokius kitus papildomus priedus arba įtaisus, gali kilti pavojus sužeisti žmones. Naudokite tik nurodytam tikslui skirtus papildomus priedus arba įtaisus.

Jeigu norite daugiau sužinoti apie tuos priedus, kreipkitės į artimiausią „Makita“ techninės priežiūros centrą.

- Ilginamasis vamzdis (tiesus vamzdis)
- Antgalis
- Antgalis kilimams valyti
- Šepetėlis lentynoms valyti
- Kampinis antgalis
- Apvalus šepetėlis
- Lanksti žarna

- Didelio efektyvumo filtras
- HEPA filtras
- Antgalis sėdynėms
- Plyšių antgalis
- Krepšys įrankiui
- Originalus „Makita“ akumulatorius ir įkroviklis

PASTABA: Kai kurie sąraše esantys priedai gali būti pateikti įrankio pakuotėje kaip standartiniai priedai. Jie įvairiose šalyse gali skirtis.

HOIATUS

- Seda seadet võivad kasutada 8-aastased ja vanemad lapsed ning füüsiliste, sensoorsete või vaimsete puuetega või puudulike kogemuste ja teadmistega isikud, juhul kui nad on järelevalve all või kui neid on õpetatud seadet ohutult kasutama ja nad mõistavad seadme kasutamiselega kaasnevaid ohtusid.
- Lapsed ei tohi seadmega mängida. Lapsed ei tohi seadet puhastada ega hooldada ilma järelevalveta.
- Seadmes kasutatava aku tüübi leiäte peatükist „TEHNILISED ANDMED”.
- Aku paigaldamise või eemaldamise juhised leiäte jaotisest „Akukasseti paigaldamine või eemaldamine”.
- Kasutuskõlbmatuks muutunud akukasseti kõrvaldamiseks eemaldage see tööriistast ja viige selleks ette nähtud kohta. Järgige kasutuskõlbmatuks muutunud aku kõrvaldamisel kohalikke eeskirju.
- Kui tööriista ei kasutata pika ajaperioodi jooksul, tuleb aku tööriistast eemaldada.
- Ärge tekitage akukassetis lühist.
- Üksikasjalikku teavet hooldamise ajal järgitavate ettevaatusabinõude kohta leiäte peatükist „HOOLDAMINE”.

TEHNILISED ANDMED

| Mudel: | | CL003G |
|---|-----------------------------|----------------------------------|
| Mahutavus | | 250 ml / 400 ml (sõltub riigist) |
| Pidev kasutamine (akuga BL4025) | 1 (vaikne režiim) | Umbes 80 min |
| | 2 (tavalise kiiruse režiim) | Umbes 40 min |
| | 3 (suure kiiruse režiim) | Umbes 25 min |
| | 4 (max kiiruse režiim) | Umbes 16 min |
| Üldine pikkus (koos toru, otsaku ja akuga BL4025) | | 1 106 mm |
| Nimipinge | | Alalisvool 36 V – 40 V max |
| Netokaal | | 1,9 - 2,6 kg |

- Meie pideva uuringu- ja arendusprogrammi tõttu võidakse tehnilisi andmeid muuta ilma sellest ette teatamata.
- Tehnilised andmed võivad riigiti erineda.
- Kaal ei sisalda lisatarvikuid peale akukasseti. Seadme ja akukasseti kõige kergem ja raskem kombineeritud kaal on näidatud tabelis.

Sobiv akukassett ja laadija

| | |
|------------|---|
| Akukassett | BL4020* / BL4025* / BL4040* / BL4050F *: Soovituslik aku |
| Laadija | DC40RA / DC40RB / DC40RC |

- Mõned eespool loetletud akukassetid ja -laadijad ei pruugi olla teie riigis saadaval.

⚠ HOIATUS: Kasutage ainult ülalpool loetletud akukassette ja laadureid. Muude akukassetide ja laadurite kasutamine võib tekitada vigastusi ja/või tulekahju.

Sümbolid

Alljärgnevalt kirjeldatakse tingimärke, mida võidakse seadmetel kasutada. Enne seadme kasutamist tehke endale selgeks nende tähendus.



Lugege juhendit.



Sellele tootele sobiva aku näide.



Ainult EL-i riiikide puhul
Seadmes sisalduvate ohtlike osade tõttu võivad elektri- ja elektroonikaseadmete jäätmel, akud ja patareid avaldada negatiivset mõju keskkonnale ja inimeste tervisele.
Elektri- ja elektroonikaseadmeid ega akusid ei tohi kõrvaldada koos olmejäätmetega!
Euroopa elektri- ja elektroonikaseadmete jäätmel, akude ja patareide ning nende jäätmel direktiivi ja riiklikku õigusesse ülevõtmise kohaselt tuleb elektri- ja elektroonikaseadmete, akude ja patareide jäätmel koguda eraldi ning viia eraldiseisvasse olmejäätmete kogumispunkti, mis tegutseb kooskõlas keskkonnakaitse eeskirjadega. Sellele osutab seadmele paigaldatud läbikriipsutatud ratastega prügikasti sümbol.

Kavandatud kasutus

Tööriist on ette nähtud tolmu kogumiseks.

OHUTUSHOIATUSED

Juhtmeta tolmuimeja ohutusnõuded

⚠ HOIATUS: ÄÄRMISELT OLULINE ON ENNE KASUTAMIST lugeda tähelepanelikult läbi kõik ohutushoiatused ja juhised. Hoiatuste ja juhtnõude mittejärgmine võib põhjustada elektrišokki, tulekahju ja/või tõsisid vigastusi.

1. Ärge jätke vihma kätte. Hoidke siseruumides.
2. Ärge lubage kasutada mänguasjana. Olge tähelepanelik, kui seadet kasutavad lapsed või kasutatakse laste lähedal.
3. Kasutage ainult vastavalt antud kasutusjuhendis toodud juhistele. Kasutage ainult tootja soovitatud lisatarvikuid.
4. Ärge kasutage seadet kahjustatud akuga. Kui seade ei tööta korralikult, on maha kukkunud, kahjustatud, välistingimustesse jäetud või vette kukkunud, viige see remondikeskusse.
5. Ärge käsitage seadet märgade kätega.
6. Ärge asetage esemeid avadesse. Blokeeritud avade korral ei tohi tolmuimejat kasutada; hoidke puhas tolmust, kiududest, karvadest ja muust, mis võiks blokeerida õhuvoolu.
7. Hoidke juuksed, lahtised riidesemed, sõrmed ja kõik kehaosad avadest ning liikuvatest osadest eemal.

8. Enne aku eemaldamist lülitage kõik juhtseadised väljalülitatud asendisse.
9. Treppide puhastamisel olge eriti ettevaatlik.
10. Ärge imege seadmesse kergestisüttivaid vedelikke (nt bensiini) ega töötage nende läheduses.
11. Kasutage laadimiseks ainult komplektis olevat laadijat.
12. Ärge imege seadmesse põlevaid ega suitsevaid esemeid, nt sigarette, tikke või kuuma tuhka.
13. Ärge kasutage tolmuimurit ega filtriteta.
14. Ärge laadige akut välistingimustes.
15. Kasutage laadimiseks ainult tootja heaks kiidetud laadijat. Üht tüüpi akuga kasutamiseks sobiv laadija võib mõnda teist tüüpi akuga kasutamisel tuua kaasa süttimisohu.
16. Kasutage seadmeid üksnes spetsiaalselt neile ette nähtud akudega. Muude akude kasutamisega võib kaasneda kehavigastuste ja tulekahju oht.
17. Kui akut ei kasutata, ärge hoidke seda koos muude metallsemetega, nagu kirjaklambrid, münnid, võtmed, naelad, kruvid jm väikesed metallsemed, mis võivad tekitada ühenduse klemmide vahel.
18. Väärkasutamise tagajärjel võib akust valguda välja vedelikku; ärge seda puudutage. Kui olete selle vedelikuga siiski kogemata kokku puutunud, uhtke kohta veega.
19. Ärge kasutage akut ega seadet, mis on kahjustunud või mida on modifitseeritud. Kahjustunud või modifitseeritud akude talitus võib olla etteaimamatu, millega võib kaasneda tulekahju, plahvatuse või kehavigastuste oht.
20. Jälgige, et aku ega seade ei puutuks kokku lahtise tule või kõrge temperatuuriga. Kokkupuude lahtise tule või temperatuuriga, mis on üle 130 °C, võib kaasa tuua plahvatuse.
21. Järgige kõiki laadimisjuhiseid ja ärge laadige akut ega seadet väljaspool juhendis täpsustatud temperatuurivahemikku. Nõuetele või määratud temperatuuripiirangute mittevastav laadimine võib kahjustada akut ja suurendada tulekahjuohtu.

HOIDKE JUHEND ALLES.

OHUTUSE LISAEESKIRJAD

Seade on mõeldud kasutamiseks majapidamistöodes.

1. Lugege enne kasutamist hoolikalt seda kasutusjuhendit ja laadija kasutusjuhendit.
2. Ärge korjake üles järgmisi asju:
 - kuumad asjad, nagu põlevad sigaretid või metalli lihvimise/lõikamise käigus tekkinud kuumad osakesed/metallipurud;
 - tuleohtlikud materjalid, nagu bensiin, lahusti, petrooleum või värv;
 - plahvatusohtlikud materjalid, nagu nitroglütseriin;
 - süttimisohtlikud materjalid, nagu alumiinium, tsink, magneesium, titaan, fosfor või tselluloid;
 - märg praht, vesi, õli vms;

- teravate servadega kõvad tükid, nagu puulaastud, metallid, kivid, klaas, naelad, klambrid või lõiketerad;
 - kivist pulber, nagu tsement või savimuda;
 - elektrit juhtiv tolm, nagu metall või süsinik;
 - peenosakesed, nagu betoonitolm;
- selline tegevus võib põhjustada tulekahju, vigastusi ja/või varalist kahju.
3. Kui märkate midagi ebaharilikku, peatage töö viivitamatult.
 4. Kui tolmuimeja kukub või saab löögi, kontrollige enne kasutamist hoolikalt, et sellel ei oleks mõrasid ega vigastusi.
 5. Hoidke tööriist eemal ahjustest jm kuumusallikatest.
 6. Ärge blokeerige sisselaskeava ega ventilatsiooniavasid.

HOIDKE JUHEND ALLES.

Akukassetiga seotud olulised ohutusjuhised

1. Enne akukasseti kasutamist lugege (1) akulaadiljal, (2) akul ja (3) seadmel olevad juhtnõidrid ja hoiatused läbi.
2. Ärge võtke akukassetti lahti ega muutke seda. See võib põhjustada tulekahju, liigset kuumust või plahvatuse.
3. Kui tööaeg järsult lüheneb, siis lõpetage kohe kasutamine. Edasise kasutamise tulemuseks võib olla ülekuumenemisoht, võimalikud põletused või isegi plahvatus.
4. Kui elektrolüüti satub silma, siis loputage silma puhta veega ja pöörduge koheselt arsti poole. Selline õnnetus võib põhjustada pimedaksjäämist.
5. Ärge tekitage akukassetis lühis:
 - (1) Ärge puutuge klemme elektrijuhtidega.
 - (2) Ärge hoidke akukassetti tööriistakastis koos metallesemetega, nagu naelad, mündid jne.
 - (3) Ärge tehke akukassetti märjaks ega jätke seda vihma kätte.

Aku lühis võib põhjustada tugevat elektri-voolu, ülekuumenemist, põletusi ning ka seadet tõsiselt kahjustada.

6. Ärge hoidke ega kasutage tööriista ja akukassetti kohtades, kus temperatuur võib tõusta üle 50 °C (122 °F).
7. Ärge põletage akukassetti isegi siis, kui see on saanud tõsiselt vigastada või on täiesti kulumud. Akukassett võib tules plahvatada.
8. Ärge naelutage, löigake, muljuge, visake akukassetti ega laske sel kukkuda, samuti ärge lööge selle pihnt kõva esemega. Selline tegevus võib põhjustada tulekahju, liigset kuumust või plahvatuse.
9. Ärge kasutage kahjustatud akut.
10. Sisalduvatele liitium-ioonakudele võivad kohalduda ohtlike kaupade õigusaktide nõuded. Kaubanduslikul transportimisel, näiteks kolmandate poolte või transpordiettevõtete poolt, tuleb järgida pakendil ja siltidel toodud erinõudeid.

Transportimiseks ettevalmistamisel on vajalik pidada nõu ohtliku materjali ekspordiga. Samuti tuleb järgida võimalike riiklike regulatsioonide üksikasjalikumaid nõudeid.

Katke teibiga või varjake avatud kontaktid ja pakendage aku selliselt, et see ei saaks pakendis liukuda.

11. Kasutuskõlbmatuks muutunud akukasseti kõrvaldamiseks eemaldage see tööriistast ja viige selleks ette nähtud kohta. Järgige kasutuskõlbmatuks muutunud aku kõrvaldamisel kohalikke eeskirju.
12. Kasutage akusid ainult Makita heaks kiidetud toodetega. Akude paigaldamine selleks mitte ettenähtud toodetele võib põhjustada süttimist, ülemäärast kuumust, plahvatamist või elektrolüüdi lekkimist.
13. Kui tööriista ei kasutata pika ajaperioodi jooksul, tuleb aku tööriistast eemaldada.
14. Kasutamise ajal ja pärast kasutamist võib akukassett kuumeneda, mis võib põhjustada põletusi või madala temperatuuri põletusi. Olge kuuma akukasseti kandmisel ettevaatlik.
15. Ärge puudutage tööriista klemmi kohe pärast kasutamist, sest see võib olla kuum ja põhjustada põletusi.
16. Hoidke akukasseti klemmid, avad ja sooned tükikestest, tolmust ja mullast puhtad. See võib põhjustada tööriista või aku ülekuumenemist, süttimist, purunemist ja talitlushäireid, mis võib lõppeda põletuste või kehavigastustega.
17. Kui tööriista ei kannata kasutamist kõrgepingeliinide lähedal, ärge kasutage akukassetti kõrgepingeliinide lähedal. Muidu võib tööriist või akukassett puruneda või selle tõrge tekkida.
18. Hoidke akut lastele kättesaamatult.

HOIDKE JUHEND ALLES.

⚠ETTEVAATUST: Kasutage ainult Makita originaalakusid. Mitte Makita originaalakude või muudetud akude kasutamine võib põhjustada akude süttimise, kehavigastuse ja kahjustuse. Samuti muudab see kehtetuks Makita tööriista ja laadija Makita garantii.

Vihjeid aku maksimaalse kasutajaga tagamise kohta

1. Laadige akukassetti enne selle täielikku täijenemist. Kui märkate, et tööriist töötab väiksema võimsusega, peatage töö ja laadige akukassetti.
2. Ärge laadige täielikult laetud akukassetti. Ülelaadimine lühendab akude kasutusiga.
3. Laadige akukassetti toatemperatuuril 10 °C - 40 °C. Enne laadimist laske kuumenenud akukassetil maha jahtuda.
4. Kui te ei kasuta parajasti akukassetti, eemaldage see tööriistast või laadurist.
5. Kui te ei kasuta akukassetti kauem kui kuus kuud, laadige see.

FUNKTSIONAALNE KIRJELDUS

⚠ETTEVAATUST: Kandke alati hoolt selle eest, et tööriist oleks enne reguleerimist ja kontrollimist välja lülitatud ja akukassett eemaldatud.

⚠ETTEVAATUST: Olge ettevaatlik ja ärge jätkke aku paigaldamise ajal sõrme/sõrmi tolmuimeja ja aku vahele, nagu joonisel näidatud. Sõrmede vigastamise oht.

► Joon.1

Akukasseti paigaldamine või eemaldamine

⚠ETTEVAATUST: Lülitage tööriist alati enne akukasseti paigaldamist või eemaldamist välja.

⚠ETTEVAATUST: Akukasseti paigaldamisel või eemaldamisel tuleb tööriista ja akukassetti kindlalt paigal hoida. Kui tööriista ja akukassetti ei hoita kindlalt paigal, võivad need käest libiseda ning kahjustada tööriista ja akukassetti või põhjustada kehavigastusi.

► Joon.2: 1. Punane näidik 2. Nupp 3. Akukassett

Akukasseti eemaldamiseks libistage see tööriista küljest lahti, vajutades kasseti esiküljel paiknevat nuppu alla.

Akukasseti paigaldamiseks joondage akukasseti keel korpuse soonega ja libistage kassett oma kohale. Sisestage see tervenisti, kuni see lukustub klõpsuga oma kohale. Kui näete joonisel näidatud punast näidikut, pole see täielikult lukustunud.

⚠ETTEVAATUST: Paigaldage akukassett alati täies ulatuses nii, et punast osa ei jääks näha. Muidu võib adapter juhuslikult tööriistast välja kukkuda ning põhjustada teile või läheduses viibivatele isikutele vigastusi.

⚠ETTEVAATUST: Ärge rakendage akukasseti paigaldamisel jõudu. Kui kassett ei lähe kergesti sisse, pole see õigesti paigaldatud.

Aku kaitsesüsteem

Tööriist on varustatud tööriista või aku kaitsesüsteemiga. Süsteem lülitab mootori automaatselt välja, et pikendada tööriista ja aku tööiga. Tööriist seiskub käitamise ajal automaatselt, kui tööriista või aku kohta kehtib üks järgmistest tingimustest.

Ülekoormus:

Tööriista/akut kasutatakse viisil, mis põhjustab toitevoolu tugevuse tõusu lubatust kõrgemale. Sellisel juhul lülitage tööriist välja ning lõpetage tööriista ülekoormuse põhjustanud tegevus. Pärast seda käivitage tööriist uuesti. Kui tööriist ei käivitu, on tööriist/aku ülekuumenenud. Sellises olukorras laske tööriistal/akul enne tööriista uuesti sisselülitamist jahtuda.

Madal akupinge:

Aku jääkmahutavus on liiga väike ja tööriist ei hakka tööle. Sellisel juhul eemaldage aku ja laadige seda.

Kaitse muude olukordade eest:

Kaitsesüsteem on mõeldud ka muude olukordade jaoks, mis võivad tööriista kahjustada, ja võimaldab tööriistal automaatselt seiskuda. Kui tööriist on ajutiselt peatatud või seiskunud, toimige põhjuste kõrvaldamiseks järgnevalt.


















1. Lülitage tööriist välja ja seejärel taaskäivitamiseks uuesti sisse.
2. Laadige akut (akusid) või asendage see/need laetud aku(de)ga.
3. Laske tööriistal ja aku(de)l jahtuda.

Kui kaitsesüsteemi taastamisega ei õnnestu olukorda parandada, võtke ühendust Makita kohaliku hoolduskeskusega.

Aku jääkmahutavuse näit

Akukasseti järelejäänud mahutavuse kontrollimiseks vajutage kontrollimise nuppu. Märgulambid süttivad mõneks sekundiks.

► Joon.3: 1. Märgulambid 2. Kontrollimise nupp

| Märgulambid | | | Jääkmahutavus |
|---|---|--|-----------------------|
|  Pöleb |  Ei põle |  Vilgub | |
|  | | | 75 - 100% |
|  |  | | 50 - 75% |
|  |  | | 25 - 50% |
|  |  | | 0 - 25% |
|  |  | | Laadige akut. |
|  |  | | Akul võib olla tõrge. |
|  |  |  | |

MÄRKUS: Näidatud mahutavus võib veidi erineda tegelikust mahutavusest olenevalt kasutustingimustest ja ümbritseva keskkonna temperatuurist.

MÄRKUS: Esimene (taga vasakul asuv) märgutuli vilgub, kui akukaitsesüsteem töötab.

Lüliti funktsioneerimine

- **Joon.4:** 1. Imemisvõimsuse muutmise nupp
2. Sisse-väljalülitamise nupp

Tolmuimeja sisselülitamiseks vajutage lihtsalt sisse-väljalülitamise nuppu. Väljalülitamiseks vajutage uuesti sisse-väljalülitamise nuppu.

Tolmuimeja imemisvõimsust saab muuta nelja samuga, vajutades imemisvõimsuse muutmise nuppu. Iga nupulevajutus kordab tsükli režiime vaikne/tavaline/suur/max.

| Tase | Näidik | Režiim |
|------|---|-------------------------|
| 1 |  | Vaikne režiim |
| 2 |  | Tavalise kiiruse režiim |
| 3 |  | Suure kiiruse režiim |
| 4 |  | Max kiiruse režiim |

MÄRKUS: Imemisvõimsust saate muuta enne tolmuimeja sisselülitamist.

MÄRKUS: Tolmuimeja alustab tööd samal imemisvõimsusel nagu eelmise töö ajal.

Lambi süütamine

⚠ETTEVAATUST: Ärge vaadake otse valgusse ega valgusallikat.

Lambi sisselülitamiseks vajutage imemisvõimsuse muutmise nuppu. Lamp kustub umbes 10 sekundi pärast.

Lamp lülitub sisse, kui tolmuimeja töötab.

Lamp kustub umbes 10 sekundit pärast töö lõpetamist.

MÄRKUS: Aku tühjenemisel hakkab lamp vilkuma. Aeg, millal lamp vilkuma hakkab, on ebaregulaarne ja sõltub töökoja temperatuurist ja akukasseti seisundist.

- **Joon.5:** 1. Imemisvõimsuse muutmise nupp
2. Sisse-väljalülitamise nupp 3. Lamp

OSADE KIRJELDUS

Sõitub riigist

- **Joon.6**

| | | | | | | | |
|---|---|---|---|---|-------------|---|-------------------|
| 1 | 250 ml tolmuarp (lisatarvik) | 2 | 400 ml tolmuarp (lisatarvik) | 3 | Võrkfilter | 4 | Tsükli korpus |
| 5 | Suure jõudlusega filter (filtriraam halli värvi) (lisatarvik) | 6 | HEPA filter (filtriraam valge värvi) (lisatarvik) | 7 | Tolmufilter | 8 | Tolmuimeja korpus |
| 9 | Käerihm (sõitub riigist) | - | - | - | - | - | - |

KOKKUPANEK

⚠ETTEVAATUST: Kandke alati hoolt selle eest, et tööriist oleks enne igasuguseid hooldustöid välja lülitatud ja akukassett eemaldatud.

TÄHELEPANU: Kõik lisatarvikud ja komponendid peavad olema enne kasutamist korralikult kinnitatud.

Puhastustarvikute paigaldamine ja eemaldamine

⚠ETTEVAATUST: Pärast lisatarvikute paigaldamist kontrollige, kas need on korralikult paigaldatud. Kui lisatarvik ei ole korralikult paigaldatud, võib see lahti tulla ja kehavigastusi põhjustada.

⚠ETTEVAATUST: Olge ettevaatlik, et te lisatarvikute eemaldamisel kätt vastu seina vms ära ei lööks.

Lukustusfunktsiooniga lisatarviku kasutamine

Lisatarvikute paigaldamiseks sisestage see tolmuimeja imiavasse, kuni see klõpsatab. Veenduge, et lisatarvik on lukustunud.

- **Joon.7:** 1. Imiava 2. Lukustusfunktsiooniga lisatarvik 3. Konks

TÄHELEPANU: Lukustusfunktsiooniga lisatarvikute paigaldamisel veenduge, et tolmuimeja vabastusnupp oleks kohakuti lisatarvikul oleva haagiga. Kui need ei ole kohakuti, siis lisatarvik ei lukustu ja võib tolmuimeja küljest lahti tulla.

Lisatarvikute eemaldamiseks tõmmake see tolmuimejalt ära, hoides samal ajal vabastusnupu labasid all.

- **Joon.8:** 1. Vabastusnupp 2. Vabastusnupu laba 3. Lukustusfunktsiooniga lisatarvik 4. Imiava

Ilma lukustusfunktsioonita lisatarviku kasutamine

TÄHELEPANU: Ilma lukustusfunktsioonita lisatarviku paigaldamiseks keerake see joonisel näidatud viisil tolmuimeja imiavasse. Lisatarviku eemaldamiseks tolmuimeja küljest keerake seda joonisel näidatud viisil. Ärge keerake lisatarvikut joonisel kujutatud noolele vastupidises suunas, muidu võib tsüklon lahti tulla.

► Joon.9

TÖÖRIISTA KASUTAMINE

⚠ETTEVAATUST: Tolmuimeja kasutamisel ärge pange oma nägu ventilaatorile liiga lähedale. Kõrvaliste esemete sattumisel silma võib see põhjustada kehavigastusi.

TÄHELEPANU: Vältige tolmuimeja kasutamist horisontaalses või ülles suunatud asendis. Muidu võib võrkfilter ummistuda.

TÄHELEPANU: Kasutage tolmuimejat alati koos paigaldatud filtritega. Tolmuimeja kasutamine ilma filtriteta võib kaasa tuua mootori tõrke.

TÄHELEPANU: Kui tsüklonis olevasse tolmukarpi on tolmu kogunenud, tühjendage see. Kasutamise jätkamisel võib imemisjõud väheneda.

Tsüklon aitab vähendada tolmuimejasse siseneva tolmu hulka, parandades imemisvõimsust tolmu lihtsa ja kerge eemaldamisega.

Puhastamine (imemine)

Otsak

Ainult 250 ml tolmukarbiga

Laudade, mööbli jm puhastamiseks kinnitage tolmuimejale otsak. Otsak kinnitub lihtsalt.

► Joon.10: 1. Otsak

Otsak + teleskooptoru (sirge toru)

Teleskooptoru saab paigutada otsaku ja aparadi vahele. See muudab seistes pöranda puhastamise mugavaks.

► Joon.11: 1. Tolmuimeja korpus 2. Pikendustoru 3. Otsak

Nurgaotsak

Kinnitage auto või mööbli nurkade ja pragude puhastamiseks nurgaotsak.

► Joon.12: 1. Nurgaotsak 2. Tolmuimeja korpus

Nurgaotsakut saab hoida otsakute hoidikus.

► Joon.13: 1. Otsakute hoidik 2. Nurgaotsak

⚠ETTEVAATUST: Olge ettevaatlik, et te ei jätaks sõrmi nurgaotsaku ja otsakute hoidiku vahele. Sõrmede vigastamise oht.

Nurgaotsak + teleskooptoru (sirge toru)

Kasutage seda võimalust piiratud ruumis, kuhu tolmuimeja ei mahu, või kõrgete kohtade puhul, kuhu on raske ulatuda.

► Joon.14: 1. Nurgaotsak 2. Pikendustoru 3. Tolmuimeja korpus

Puhastamine ilma otsakuta

Ainult 250 ml tolmukarbiga

Pulbrit ja tolmu saate koguda ilma otsakuta.

► Joon.15

Pörandalt tolmu imemiseks püstiasendis parandab mugavust tolmuimejale kinnitatav teleskooptoru (sirge toru).

► Joon.16: 1. Teleskooptoru

Tolmu eemaldamine

⚠ETTEVAATUST: Tühjendage tolmuimeja enne, kui see liigselt täitub, või enne, kui imemisjõud väheneb.

⚠ETTEVAATUST: Olge ettevaatlik, et uuesti kokkupanekul ei jääks sõrm(ed) tolmukarbi ja tsükloni korpuse vahele.

Visake kogunenud tolm järgnevalt kirjeldatud viisil minema enne, kui see ületab tolmuga täitumise piiri.

1. Suunake tolmuimeja pea allapoole, hoidke tolmukarbit tugevalt kinni ja tõmmake see seejärel tsükloni korpusest ära, hoides samal ajal tolmukarbi mõlemal küljel olevaid vabastusnuppe all.

► Joon.17: 1. Tolmuga täitumise piir 2. Tolmukarp 3. Vabastusnupud 4. Võrkfilter

2. Tühjendage tolmukarp ja eemaldage võrkfiltrile kogunenud tolm.

► Joon.18

3. Pange tolmukarp tsükloni korpusele tagasi, nii et see kohale klõpsata.

► Joon.19: 1. Tolmukarp 2. Vabastusnupud 3. Tsükloni korpus

⚠ETTEVAATUST: Tolmukarbi tühjendamise ajal võib tolm ülespoole paiskuda. Olge ettevaatlik, et tolm ei satuks silma.

TÄHELEPANU: Kui tolmukarp määrdub, eemaldage see ja peske veega. Enne uuesti kokkupanemist ja kasutamist kuivatage tolmukarp hoolikalt.

TÄHELEPANU: Kõik lisatarvikud ja komponendid peavad olema enne kasutamist korralikult kinnitatud.

TÄHELEPANU: Kui imemisjõud ei taastu ka pärast tolmu eemaldamist ja võrkfiltrit puhastamist, kontrollige, ega tolm pole kogunenud tsükloni korpuse sisse või ega kuskil pole ummistust.

HOOLDUS

⚠ETTEVAATUST: Enne kontroll- või hooldustoimingute tegemist kandke alati hoolt selle eest, et tööriist oleks välja lülitatud ja akukassett korpuse küljest eemaldatud.

TÄHELEPANU: Ärge kunagi kasutage bensiini, vedeldit, alkoholi ega midagi muud sarnast. Selle tulemuseks võib olla luitumine, deformatsioon või pragunemine.

Toote OHUTUSE ja TÖÖKINDLUSE tagamiseks tuleb vajalikud parandustööd ning muud hooldus- ja reguleerimistööd lasta teha Makita volitatud või tehase teeninduskeskustes. Alati tuleb kasutada Makita varuosi.

Pärast kasutamist

⚠ETTEVAATUST: Seadme seina vastu toetamine ilma igasuguse muu toeta võib lõppeda selle ümber kukkumisega, põhjustades kehavigastusi või seadme kahjustusi.

► Joon.20

Regulaarne hooldus

TÄHELEPANU: Kui tsüklonis olevad filtrid ummistuvad, puhastage need. Ummistunud olekus edasi kasutamine võib põhjustada ülekuumenemise või mootori tõrke.

TÄHELEPANU: Ärge puhuge tolmuimejale ja filtritele kogunenud tolmu õhupuhuriga. Sellega kaasneb tolmu sattumine korpusesse, mis põhjustab talitlushäireid.

Normaalse toimimise säilitamiseks on vajalik regulaarne hooldus.

Tolmuimeja korpus

Pühkige tolmuimeja välispinda (tolmuimeja korpus) seebivees niisutatud lapiga ja puhastage sisseimuvad.

► Joon.21

Tsüklon ja filtrid

TÄHELEPANU: Kui imemisjõudlus on kehv sõltumata tolmu karpi kogunenud tolmu kogusest, puhastage tsükloni sisemus ja filtrid tolmu ja muust mustusest.

TÄHELEPANU: Pärast filtrite pesemist kuivatage need enne kasutamist korralikult. Ebapiisavalt kuivatatud filtrid vähendavad imemisvõimsust ja lühendavad mootori tööiga.

TÄHELEPANU: Pärast filtrite ja tolmufiltrid puhastamist paigaldage need enne kasutamist kindlasti tagasi. Kui kasutate tolmuimejat ilma filtrite ja tolmufiltrita, satub tolm mootori korpusesse ja põhjustab tõrkeid.

Tsüklon

1. Tsükloni ja filtri sisepinnale kogunenud tolmu eemaldamiseks lööge tsüklonit mitu korda käega.

► Joon.22: 1. Tsüklon

2. Lukustuse avamiseks hoidke imiava allpool ja keerake tsüklonit joonisel kujutatud viisil, nii et tsüklonil olev märgistus oleks kohakuti tolmuimeja korpusel oleva märgistusega. Seejärel tõmmake tsüklon tolmuimeja korpusest aeglaselt ja sirgelt ära.

► Joon.23: 1. Tsüklon 2. Imiava 3. Märgistused 4. Filter

MÄRKUS: Tsükloni eemaldamisel võib välja paiskuda tolmu. Soovitatav on asetada tsükloni alla prügikott.

3. Eemaldage tolm tsükloni ja filtri seest.

► Joon.24

4. Pange tsüklon tagasi tolmuimeja korpusele, viies tsüklonil oleva märgistuse kohakuti tolmuimeja korpusel oleva märgistusega. Seejärel keerake tsüklonit joonisel kujutatud viisil, kuni see fikseerub kohale.

► Joon.25: 1. Tsüklon 2. Tolmuimeja korpus 3. Märgistused

Suure jõudlusega filter

Valikuline tarvik

1. Võtke tsüklon tolmuimeja korpusest ära.

2. Hoidke suure jõudlusega filtri paigaldusotsast ja tõmmake filter tolmuimeja korpusest ära.

► Joon.26: 1. Suure jõudlusega filter 2. Tolmuimeja korpus

3. Puhastage suure jõudlusega filter tolmu, pühkides ja raputades seda käega.

► Joon.27

4. Kui suure jõudlusega filter on tolmu ja mustusega ummistunud, peske seda seebivees. Enne kasutamist kuivatage seda hoolikalt varjulises kohas.

► Joon.28

MÄRKUS: Suure jõudlusega filtri kuivama riputamisel ärge kinnitage seda kinnitusepoolsest otsast (kummist rõngastihend).

5. Hoidke suure jõudlusega filtri paigaldusotsast ja vajutage filter tolmuimeja korpusesse tagasi.

► Joon.29: 1. Suure jõudlusega filter 2. Tolmuimeja korpus

HEPA filter

Valikuline tarvik

TÄHELEPANU: HEPA filtrit ei tohi hõõruda ega kraapida kõvade esemetega, nagu harja ja kaabitsaga.

1. Võtke tsüklon tolmuimeja korpusest ära.

2. Hoidke (suure jõudlusega eelfiltriga kaetud) HEPA filtri paigaldusotsast ja tõmmake see tolmuimeja korpusest ära.

► Joon.30: 1. HEPA filter (kaetud suure jõudlusega eelfiltriga) 2. Tolmuimeja korpus

3. Eemaldage suure jõudlusega eelfilter HEPA filtrilt, keerates seda käega.

► Joon.31: 1. Suure jõudlusega eelfilter 2. HEPA filter

4. Pühkige ja raputage suure jõudlusega eelfilter ja HEPA filter käega tolmust puhtaks.

► **Joon.32**

5. Peske suure jõudlusega eelfiltrit ja HEPA filtrit seebivesi. Loputage ja kuivatage need enne kasutamist hoolikalt varjulises kohas.

► **Joon.33**

MÄRKUS: HEPA filtri kuivama riputamisel ärge kinnitage seda kinnitusepoolest otsast (kummist rõngastihend).

6. Kinnitage suure jõudlusega eelfilter HEPA filtrile.

► **Joon.34:** 1. Suure jõudlusega eelfilter 2. HEPA filter

7. Hoidke (suure jõudlusega eelfiltriga kaetud) HEPA filtri paigaldusotsast ja vajutage filter tolmuimeja korpusesse tagasi.

► **Joon.35:** 1. HEPA filter (kaetud suure jõudlusega eelfiltriga) 2. Tolmuimeja korpus

Tolmufilter

1. Võtke tsüklon tolmuimeja korpusest ära.

2. Hoidke filtri paigaldusotsast ja tõmmake filter tolmuimeja korpusest ära.

► **Joon.36:** 1. Filter 2. Tolmuimeja korpus

3. Tõmmake tolmufilter sisseimuvast ära.

► **Joon.37:** 1. Tolmufilter 2. Sisseimuvast

4. Pühkige ja raputage tolmufilter käega tolmust puhtaks.

► **Joon.38**

5. Kui tolmufilter on tolmuga ja mustusega ummistunud, peske seda seebivesi. Enne kasutamist kuivatage seda hoolikalt varjulises kohas.

► **Joon.39**

6. Pange tolmufilter algasendisse tagasi. Jälgige, et tolmufilteri vasak ja parem serv oleksid fiksaatorite taga ning et tolmufilteri ja sisseimuvast vahel ei oleks vahet.

► **Joon.40:** 1. Tolmufilter 2. Fiksaator 3. Sisseimuvast

7. Hoidke filtri paigaldusotsast kinni ja vajutage filter tolmuimeja korpusesse tagasi.

► **Joon.41:** 1. Filter 2. Tolmuimeja korpus

Seisukorrapõhine hooldus

TÄHELEPANU: Kui tsüklonis olev võrkfilter ummistub, puhastage see. Ummistunud olekus edasi kasutamine võib põhjustada ülekuumenemise või mootori tõrke.

Süü- ja kohtpuhastust tuleb teha vastavalt teie tööriista jõudlusele.

Võrkfilter

Kui tolmuikarp muutub mustaks või võrkfilter on ummistunud, võtke need välja ja peske veega. (Lugege välja võtmise kohta peatükki „Tolmu eemaldamine“.)

1. Hoidke tolmuikarbi tugevalt kinni ja tõmmake see tsükloni korpusest ära, hoides samal ajal tolmuikarbi mõlemal küljel olevaid vabastusnuppe all.

► **Joon.42:** 1. Tolmuikarp 2. Tsükloni korpus 3. Vabastusnupud

2. Luku avamiseks keerake võrkfiltrit joonisel kujutatud viisil. Seejärel eemaldage see tsükloni korpusest.

► **Joon.43:** 1. Võrkfilter

3. Võtke võrkfilter kolmeks osaks: eelfilter, torufilter ja võrktoru.

i Vajutage võrktoru peal olevad juhikstopperid kokku.

ii Viige juhikstopperid läbi eelfiltri peal oleva juhikava alla.

iii Tõmmake eelfiltrit mööda torufiltrit ja võrktoru.

iv Eemaldage torufilter võrktorult.

► **Joon.44:** 1. Eelfilter 2. Torufilter 3. Võrktoru 4. Juhikstopperid 5. Juhikava

4. Pühkige ja raputage filtrid ja võrktoru käega tolmust puhtaks.

► **Joon.45**

5. Kui filtrid ja võrktoru on tolmuga ja mustusega ummistunud, peske neid seebivesi. Enne kasutamist kuivatage need hoolikalt varjulises kohas.

► **Joon.46**

6. Pange võrkfilter uuesti kokku.

i Pange torufilter eelfiltrisse.

ii Pange võrktoru torufiltrisse ja eelfiltrisse, võrktoru peal olevatest juhikstopperitest mööda, läbi eelfiltri peal oleva juhikava.

iii Lükake võrktoru läbi torufiltrit ja eelfiltri, kuni see kohale klõpsatab.

► **Joon.47:** 1. Eelfilter 2. Torufilter 3. Võrktoru 4. Juhikstopperid 5. Juhikava

7. Kinnitage võrkfilter tagasi tsükloni korpusele, nii et võrkfiltrit konksud oleksid kohakuti tsükloni korpuse sisseimuvast olevate väljalõigetega. Keerake võrkfiltrit joonisel kujutatud viisil, kuni konksud klõpsuga lukustuvad. Kontrollige, kas võrkfilter on kindlalt paigaldatud.

► **Joon.48:** 1. Võrkfilter 2. Tsükloni korpus 3. Konks 4. Väljalõige

Tsükloni õhukanalid

Sisenevad võõrkehaded võivad tsüklonis olevad õhukanalid ummistada ja õhuvoolu takistada. Kui imemisvõimsus halveneb oluliselt, eemaldage õhu teekonnal olevad takistused.

1. Võtke tsüklon kolmeks osaks: tolmuikarp, võrkfilter ja tsükloni korpus.

► **Joon.49:** 1. Tolmuikarp 2. Võrkfilter 3. Tsükloni korpus 4. Tolmuimeja korpus

2. Vajutage tsükloni korpuses oleva lukustusava kaudu mõne teravaotsalise eseme abil sisselasketorul olevat juhikstopperit ja hoidke seda all. Seejärel lahutage sisselasketoru tsükloni korpusest.

► **Joon.50:** 1. Sisselasketoru 2. Juhikstopper 3. Tsükloni korpus 4. Lukustusava

3. Eemaldage õhukanalites leiduv materjal.

Võõrkehaded võivad kergesti siseneva õhu liitmiku ümber kinni jääda.

► **Joon.51:** 1. Imiava 2. Siseneva õhu liitmik

4. Sisestage sisselasketoru tagasi kohale, kuni see kindlalt lukustub.

► **Joon.52:** 1. Sisselasketoru 2. Tsükloni korpus 3. O-rõngas 4. Klappventiil

TÄHELEPANU: Enne uuesti kokkupanekut veenduge, et O-rõngas ja klappventiil oleksid kindlalt paigal. Kui tsüklonit kasutada ilma O-rõnga ja klappventiilita, võib imemisvõimsus halveneda.

5. Pange tsüklon kokku tagasi ja kinnitage tolmumeja korpusele.

Tõrkeotsing

Enne seadme remonti viimist kontrollige järgmisi punkte.

| Probleemi kirjeldus | Mida tuleks uurida? | Kuidas parandada? |
|---------------------|--|--|
| Nõrk imemisjõud | Kas tolmukarp või tsüklon on tolmuga täitunud? | Tühjendage tolmukarp või tsükloni sisemus. |
| | Kas filtrid on ummistunud? | Kloppige suure jõudlusega filter / HEPA filter / tolmufilter / võrkfilter tolmust puhtaks või peske ära. |
| | Kas miski takistab siseneva õhu kanaleid? | Eemaldage õhuavadest ja -kanalitest tolm ja esemed. |
| | Kas akukassett on tühi? | Laadige akukassett. |
| Ei tööta | Kas akukassett on tühi? | Laadige akukassett. |
| Müra ja vibratsioon | Kas filtrid on ummistunud? | Kloppige suure jõudlusega filter / HEPA filter / tolmufilter / võrkfilter tolmust puhtaks või peske ära. |
| | Kas miski blokeerib avasid või auke? | Eemaldage otsakutes, torudes ja õhuavadest olev tolm ja esemed. |
| | Kas otsaku või toru imiava on suletud? | Avage otsaku ja toru imiava, eemaldades katte. |

⚠ETTEVAATUST: Ärge püüdke tolmumejat ise parandada.

VALIKULISED TARVIKUD

⚠ETTEVAATUST: Neid tarvikuid ja lisaseadiseid on soovitatav kasutada koos Makita tööriistaga, mille kasutamist selles kasutusjuhendis kirjeldatakse. Muude tarvikute ja lisaseadiste kasutamisega kaasneb vigastada saamise oht. Kasutage tarvikuid ja lisaseadiseid ainult otstarbekohaselt.

Saate vajaduse korral kohalikust Makita teeninduskeskusest lisateavet nende tarvikute kohta.

- Teleskoopтору (sirge toru)
- Otsak
- Vaibaotsak
- Riulihari
- Nurgaotsak
- Ümmargune hari
- Elastne voolik
- Suure jõudlusega filter
- HEPA filter
- Istme otsak
- Praootsak
- Tööriistakott
- Makita algupärane aku ja laadija

MÄRKUS: Mõned nimekirjas loetletud tarvikud võivad kuuluda standardvarustusse ning need on lisatud tööriista pakendisse. Need võivad riigiti erineda.

ОСТОРОЖНО

- Дети старше 8 лет, лица с ограниченными физическими, сенсорными или умственными способностями и лица, не имеющие надлежащего опыта и знаний, могут использовать это устройство только при условии, что они осознают возможные опасности и действуют под надзором или после инструктажа по безопасному использованию устройства.
- Не разрешайте детям играть с устройством. Детям запрещается проводить чистку и техобслуживание без контроля со стороны взрослых.
- Тип аккумулятора указан в главе "ТЕХНИЧЕСКИЕ ХАРАКТЕРИСТИКИ".
- Инструкции по установке и извлечению аккумулятора приведены в разделе "Установка или снятие блока аккумулятора".
- Для утилизации блока аккумулятора извлеките его из инструмента и утилизируйте безопасным способом. Выполняйте требования местного законодательства по утилизации аккумулятора.
- Если инструментом не будут пользоваться в течение длительного периода времени, извлеките аккумулятор из инструмента.
- Не замыкайте контакты блока аккумулятора между собой.
- Сведения о мерах предосторожности при техническом обслуживании изделия пользователем приведены в главе "ТЕХНИЧЕСКОЕ ОБСЛУЖИВАНИЕ".

ТЕХНИЧЕСКИЕ ХАРАКТЕРИСТИКИ

| | | |
|--|---------------------------------|---|
| Модель: | | CL003G |
| Производительность | | 250 мл / 400 мл (в зависимости от страны) |
| Продолжительное использование (с аккумулятором BL4025) | 1 (Бесшумный режим) | Прибл. 80 мин |
| | 2 (Режим нормальной скорости) | Прибл. 40 мин |
| | 3 (Режим высокой скорости) | Прибл. 25 мин |
| | 4 (Режим максимальной скорости) | Прибл. 16 мин |
| Общая длина (с трубкой, насадкой и аккумулятором BL4025) | | 1 106 мм |
| Номинальное напряжение | | 36 В – 40 В пост. тока макс. |
| Масса нетто | | 1,9 - 2,6 кг |

- Благодаря нашей постоянно действующей программе исследований и разработок указанные здесь технические характеристики могут быть изменены без предварительного уведомления.
- Технические характеристики могут различаться в зависимости от страны.
- В значение массы не входит масса принадлежностей, только масса блок(ов) аккумулятора. Наименьшая и наибольшая совокупная масса инструмента и блока(ов) аккумулятора указана в таблице.

Подходящий блок аккумулятора и зарядное устройство

| | |
|---------------------|---|
| Блок аккумулятора | BL4020* / BL4025* / BL4040* / BL4050F *: рекомендуемый аккумулятор |
| Зарядное устройство | DC40RA / DC40RB / DC40RC |

- В зависимости от региона проживания некоторые блоки аккумуляторов и зарядные устройства, перечисленные выше, могут быть недоступны.

⚠ ОСТОРОЖНО: Используйте только перечисленные выше блоки аккумуляторов и зарядные устройства. Использование других блоков аккумуляторов и зарядных устройств может привести к травме и/или пожару.

Символы

Ниже приведены символы, которые могут использоваться для обозначения оборудования. Перед использованием убедитесь в том, что вы понимаете их значение.



Прочитайте руководство по эксплуатации.



Для данного продукта подходит типовой аккумулятор.



Только для стран ЕС
В связи с наличием в оборудовании опасных компонентов отходы электрического и электронного оборудования, аккумуляторы и батареи могут оказывать негативное влияние на окружающую среду и здоровье человека. Не выбрасывайте электрические и электронные устройства или батареи вместе с бытовыми отходами!
В соответствии с директивой ЕС по отходам электрического и электронного оборудования, батареям и отходам аккумуляторов и батарей, а также в соответствии с ее адаптацией к национальному законодательству, отходы электрического оборудования, батареи и аккумуляторы следует хранить отдельно и доставлять на пункт раздельного сбора коммунальных отходов, работающий с соблюдением правил охраны окружающей среды. Это обозначено символом в виде перечеркнутого мусорного контейнера на колесах, нанесенным на оборудование.

Назначение

Данный инструмент предназначен для сбора сухой пыли.

МЕРЫ БЕЗОПАСНОСТИ

Правила техники безопасности при эксплуатации аккумулятора пылесоса

⚠ ОСТОРОЖНО: ВАЖНО! ВНИМАТЕЛЬНО ОЗНАКОМЬТЕСЬ со всеми инструкциями и рекомендациями по технике безопасности ДО НАЧАЛА РАБОТЫ. Невыполнение инструкций и рекомендаций может привести к поражению электротоком, пожару и/или тяжелым травмам.

1. **Берегите от дождя. Храните в помещении.**
2. **Не позволяйте использовать в качестве игрушки. Если инструмент используется рядом с детьми, соблюдайте особую осторожность.**
3. **Используйте только так, как описано в настоящем руководстве. Используйте только принадлежности, рекомендованные производителем.**

4. **Не используйте с поврежденным аккумулятором. Если инструмент не работает должным образом, был уронен, поврежден, забыт на улице или попал в воду, отнесите его в сервисный центр.**
5. **Не берите инструмент мокрыми руками.**
6. **Не помещайте какие-либо предметы в отверстия. Не используйте, если какое-либо отверстие заблокировано. Предотвращайте попадание пыли, пуха, волос и других материалов, способных уменьшить поток воздуха.**
7. **Держите волосы, свободную одежду, пальцы и другие части тела подальше от отверстий и движущихся деталей.**
8. **Перед снятием аккумулятора выключите все регуляторы.**
9. **Проявляйте особую осторожность при чистке на лестницах.**
10. **Не используйте для сбора огнеопасных или воспламеняющихся жидкостей, например бензина, и не используйте там, где они могут присутствовать.**
11. **Для зарядки используйте только зарядное устройство, поставляемое производителем.**
12. **Не собирайте ничего, что горит или дымится, например, окурки, спички или горячий пепел.**
13. **Не используйте без установленных фильтров и/или пылесборного мешка.**
14. **Не заряжайте аккумулятор на улице.**
15. **Заряжайте аккумулятор только зарядным устройством, указанным изготовителем. Зарядное устройство, подходящее для другого типа аккумуляторных блоков, может привести к пожару при его использовании с другим аккумуляторным блоком.**
16. **Используйте устройства только с указанными для них аккумуляторными блоками. Использование других аккумуляторных блоков может привести к травме или пожару.**
17. **Когда аккумуляторный блок не используется, храните его отдельно от металлических предметов, таких как скрепки, монеты, ключи, гвозди, шурупы или другие небольшие металлические предметы, которые могут привести к короткому замыканию контактов аккумуляторного блока.**
18. **При неправильном обращении из аккумуляторного блока может потечь жидкость. Избегайте контакта с ней. В случае контакта с кожей промойте место контакта обильным количеством воды.**
19. **Не используйте поврежденный или модифицированный аккумуляторный блок или устройство. Поврежденные или модифицированные аккумуляторы могут работать некорректно, что может привести к пожару, взрыву или травмированию.**
20. **Не подвергайте аккумуляторный блок или устройство воздействию огня или высокой температуры. Воздействие огня или температуры выше 130 °C может привести к взрыву.**

21. Следуйте всем инструкциям по зарядке и не заряжайте аккумуляторный блок или устройство при температурах, выходящих за пределы указанного в инструкции диапазона. Зарядка, выполняемая неправильно или при температурах, выходящих за пределы указанного диапазона, может привести к повреждению аккумулятора и повысить риск пожара.

СОХРАНИТЕ ДАННЫЕ ИНСТРУКЦИИ.

ДОПОЛНИТЕЛЬНЫЕ ПРАВИЛА ТЕХНИКИ БЕЗОПАСНОСТИ

Этот инструмент предназначен для домашнего использования.

1. Перед использованием внимательно прочитайте это руководство по эксплуатации и руководство по эксплуатации зарядного устройства.
2. Запрещается собирать следующие материалы:
 - горячие материалы (напр., зажженные сигареты) или искры/стружку при шлифовке/резании металла
 - горючие материалы (например, бензин, растворитель, бензол, керосин или краска)
 - взрывоопасные материалы (например, нитроглицерин)
 - воспламеняющиеся материалы (например, алюминий, цинк, магний, титан, фосфор или целлулоид)
 - жидкую грязь, воду, масло и подобные материалы
 - твердые частицы с острыми краями (например, древесные стружки, металлы, камни, стекла, гвозди, штифты или бритвы)
 - пыль от цемента или тонера
 - электропроводящую пыль (например, металлов или угля)
 - тонкодисперсные частицы (например, пыль от бетона)

Подобные действия могут привести к пожару, травмам и/или повреждению имущества.

3. Немедленно прекратите работу, если вы заметили какие-либо отклонения.
4. Тщательно проверьте пылесос перед началом эксплуатации на предмет наличия трещин и повреждений, если вы уронили или ударили его.
5. Не подносите близко к печам и источникам тепла.
6. Не блокируйте входные и вентиляционные отверстия.

СОХРАНИТЕ ДАННЫЕ ИНСТРУКЦИИ.

Важные правила техники безопасности для работы с аккумуляторным блоком

1. Перед использованием аккумуляторного блока прочитайте все инструкции и предупреждающие надписи на (1) зарядном устройстве, (2) аккумуляторном блоке и (3) инструменте, работающем от аккумуляторного блока.
2. Не разбирайте блок аккумулятора и не меняйте его конструкцию. Это может привести к пожару, перегреву или взрыву.
3. Если время работы аккумуляторного блока значительно сократилось, немедленно прекратите работу. В противном случае, может возникнуть перегрев блока, что приведет к ожогам и даже к взрыву.
4. В случае попадания электролита в глаза промойте их обильным количеством чистой воды и немедленно обратитесь к врачу. Это может привести к потере зрения.
5. Не замыкайте контакты аккумуляторного блока между собой:
 - (1) Не прикасайтесь к контактам какими-либо токопроводящими предметами.
 - (2) Не храните аккумуляторный блок в контейнере вместе с другими металлическими предметами, такими как гвозди, монеты и т. п.
 - (3) Не допускайте попадания на аккумуляторный блок воды или дождя.Замыкание контактов аккумуляторного блока между собой может привести к возникновению большого тока, перегреву, возможным ожогам и даже поломке блока.
6. Не храните и не используйте инструмент и аккумуляторный блок в местах, где температура может достигать или превышать 50 °C (122 °F).
7. Не бросайте аккумуляторный блок в огонь, даже если он сильно поврежден или полностью вышел из строя. Аккумуляторный блок может взорваться под действием огня.
8. Запрещено вбивать гвозди в блок аккумулятора, резать, ломать, бросать, ронять блок аккумулятора или ударять его твердым предметом. Это может привести к пожару, перегреву или взрыву.
9. Не используйте поврежденный аккумуляторный блок.
10. Входящие в комплект литий-ионные аккумуляторы должны эксплуатироваться в соответствии с требованиями законодательства об опасных товарах. При коммерческой транспортировке, например, третьей стороной или экспедитором, необходимо нанести на упаковку специальные предупреждения и маркировку. В процессе подготовки устройства к отправке обязательно проконсультируйтесь со специалистом по опасным материалам. Также соблюдайте местные требования и нормы. Они могут быть строже. Закройте или закрепите разомкнутые контакты и упакуйте аккумулятор так, чтобы он не перемещался по упаковке.

11. Для утилизации блока аккумулятора извлеките его из инструмента и утилизируйте безопасным способом. Выполняйте требования местного законодательства по утилизации аккумуляторного блока.
12. Используйте аккумуляторы только с продукцией, указанной Makita. Установка аккумуляторов на продукцию, не соответствующую требованиям, может привести к пожару, перегреву, взрыву или утечке электролита.
13. Если инструментом не будут пользоваться в течение длительного периода времени, извлеките аккумулятор из инструмента.
14. Во время и после использования блок аккумулятора может нагреваться, что может стать причиной ожогов или низкотемпературных ожогов. Будьте осторожны при обращении с горячим блоком аккумулятора.
15. Не прикасайтесь к контактам инструмента сразу после использования, поскольку они могут быть достаточно горячими, чтобы вызвать ожоги.
16. Не допускайте налипания на контакты, отверстия и пазы блока аккумулятора опилок, пыли или земли. Это может стать причиной перегрева, возгорания, взрыва или неисправности инструмента или блока аккумулятора, что может привести к ожогам или травмам.
17. Если инструмент не рассчитан на использование вблизи высоковольтных линий электропередач, не используйте блок аккумулятора вблизи высоковольтных линий электропередач. Это может привести к неисправности, поломке инструмента или блока аккумулятора.
18. Храните аккумулятор в недоступном для детей месте.
3. Заряжайте блок аккумуляторов при комнатной температуре в 10 - 40 °C (50 - 104 °F). Перед зарядкой горячего блока аккумуляторов дайте ему остыть.
4. Если блок аккумулятора не используется, извлеките его из инструмента или зарядного устройства.
5. Зарядите ионно-литиевый аккумуляторный блок, если вы не будете пользоваться инструментом длительное время (более шести месяцев).

ОПИСАНИЕ РАБОТЫ

ВНИМАНИЕ: Перед регулировкой или проверкой функций инструмента обязательно убедитесь, что он выключен и его аккумуляторный блок снят.

ВНИМАНИЕ: Соблюдайте осторожность, чтобы при установке аккумулятора не защемить пальцы между пылесосом и аккумулятором, как показано на рисунке. Защемление пальцев может привести к травме.

► Рис.1

Установка или снятие блока аккумуляторов

ВНИМАНИЕ: Обязательно выключайте инструмент перед установкой и извлечением аккумуляторного блока.

ВНИМАНИЕ: При установке и извлечении аккумуляторного блока крепко удерживайте инструмент и аккумуляторный блок. Если не соблюдать это требование, они могут выскользнуть из рук, что приведет к повреждению инструмента, аккумуляторного блока и травмированию оператора.

► Рис.2: 1. Красный индикатор 2. Кнопка 3. Блок аккумулятора

Для снятия аккумуляторного блока нажмите кнопку на лицевой стороне и извлеките блок.

Для установки блока аккумулятора совместите выступ блока аккумулятора с пазом в корпусе и задвиньте его на место. Устанавливайте блок до упора, чтобы он зафиксировался с небольшим щелчком. Если вы видите красный индикатор, как показано на рисунке, он не зафиксирован полностью.

ВНИМАНИЕ: Обязательно устанавливайте блок аккумулятора до конца, чтобы красный индикатор не был виден. В противном случае блок аккумулятора может выпасть из инструмента и нанести травму вам или другим людям.

ВНИМАНИЕ: Не прилагайте чрезмерных усилий при установке аккумуляторного блока. Если блок не двигается свободно, значит он вставлен неправильно.

СОХРАНИТЕ ДАННЫЕ ИНСТРУКЦИИ.

ВНИМАНИЕ: Используйте только фирменные аккумуляторные батареи Makita. Использование аккумуляторных батарей, не произведенных Makita, или батарей, которые были подвергнуты модификациям, может привести к взрыву аккумулятора, пожару, травмам и повреждению имущества. Это также автоматически аннулирует гарантию Makita на инструмент и зарядное устройство Makita.

Советы по обеспечению максимального срока службы аккумулятора

1. Заряжайте блок аккумуляторов перед его полной зарядкой. Обязательно прекратите работу с инструментом и зарядите блок аккумуляторов, если вы заметили снижение мощности инструмента.
2. Никогда не подзаряжайте полностью заряженный блок аккумуляторов. Перезарядка сокращает срок службы аккумулятора.

Система защиты аккумулятора

На инструменте предусмотрена система защиты инструмента/аккумулятора. Она автоматически отключает питание двигателя для продления срока службы инструмента и аккумулятора. Инструмент автоматически остановится во время работы при возникновении указанных ниже ситуаций, влияющих на работу самого инструмента или аккумулятора.

Перегрузка:

В текущем режиме эксплуатации инструмент/аккумулятор потребляет очень большое количество тока. В этом случае выключите инструмент и прекратите работу, повлекшую перегрузку инструмента. Затем включите инструмент для перезапуска.

Если инструмент не запускается, это вызвано перегревом инструмента/аккумулятора. В этом случае дайте инструменту/аккумулятору остыть перед повторным включением.

Низкое напряжение аккумуляторной батареи:

Уровень оставшегося заряда аккумулятора слишком низкий, и инструмент не работает. В этом случае снимите и зарядите аккумулятор.

Защита от других неполадок:

Система защиты также рассчитана на другие неполадки, способные вывести инструмент из строя, и обеспечивает автоматический останов инструмента. В случае временной остановки или прекращения работы инструмента выполните все перечисленные ниже действия для устранения причин остановки.

1. Выключите и снова включите инструмент для его перезапуска.
2. Зарядите аккумулятор(-ы) или замените его/их на заряженный(-е).
3. Дайте инструменту и аккумулятору(-ам) остыть.

Если после восстановления системы защиты ситуация не изменится, обратитесь в сервисный центр Makita.

Индикация оставшегося заряда аккумулятора

Нажмите кнопку проверки на аккумуляторном блоке для проверки заряда. Индикаторы загорятся на несколько секунд.

► **Рис.3:** 1. Индикаторы 2. Кнопка проверки

| Индикаторы | | | Уровень заряда |
|------------|-------|--------|--|
| Горит | Выкл. | Мигает | |
| ■ | ■ | ■ | от 75 до 100% |
| ■ | ■ | ■ | от 50 до 75% |
| ■ | □ | □ | от 25 до 50% |
| ■ | □ | □ | от 0 до 25% |
| ◐ | □ | □ | Зарядите аккумуляторную батарею. |
| ■ | ■ | □ | Возможно, аккумуляторная батарея неисправна. |
| □ | □ | ■ | |

ПРИМЕЧАНИЕ: В зависимости от условий эксплуатации и температуры окружающего воздуха индикация может незначительно отличаться от фактического значения.

ПРИМЕЧАНИЕ: Первая (дальняя левая) индикаторная лампа будет мигать во время работы защитной системы аккумулятора.

Действие выключателя

► **Рис.4:** 1. Кнопка изменения мощности всасывания 2. Кнопка включения / выключения

Для запуска пылесоса просто нажмите кнопку включения / выключения. Для выключения снова нажмите кнопку включения / выключения. Доступна четырехступенчатая регулировка мощности всасывания пылесоса путем нажатия кнопки изменения мощности всасывания. При каждом последующем нажатии этой кнопки циклически повторяется бесшумный / нормальный / высокий / максимальный режим.

| Уровень | Индикация | Режим |
|---------|-----------|-----------------------------|
| 1 | ☰ | Бесшумный режим |
| 2 | ☷ | Режим нормальной скорости |
| 3 | ☹ | Режим высокой скорости |
| 4 | ☹ | Режим максимальной скорости |

ПРИМЕЧАНИЕ: Мощность всасывания можно изменить перед включением пылесоса.

ПРИМЕЧАНИЕ: Пылесос начинает работу с той же мощностью всасывания, что и во время последней операции.

Включение лампы

ВНИМАНИЕ: Не смотрите непосредственно на свет или источник света.

Чтобы включить индикатор, нажмите кнопку изменения мощности всасывания. Индикатор гаснет примерно через 10 секунд.

Пока пылесос работает, индикатор горит. Индикатор гаснет примерно через 10 секунд после прекращения работы.

ПРИМЕЧАНИЕ: При низком заряде аккумулятора индикатор начинает мигать. Время, по истечении которого индикатор начинает мигать, зависит от температуры на рабочем месте и состояния блока аккумулятора.

► **Рис.5:** 1. Кнопка изменения мощности всасывания 2. Кнопка включения / выключения 3. Лампа

ОПИСАНИЕ ДЕТАЛЕЙ

В зависимости от страны

► Рис.6

| | | | | | | | |
|---|---|---|--|---|-------------------|---|-----------------|
| 1 | Корпус для сбора пыли емкостью 250 мл (дополнительная принадлежность) | 2 | Корпус для сбора пыли емкостью 400 мл (дополнительная принадлежность) | 3 | Сетчатый фильтр | 4 | Корпус циклона |
| 5 | Высокоэффективный фильтр (цвет рамы фильтра: серый) (дополнительная принадлежность) | 6 | Фильтр HEPA (цвет рамы фильтра: белый) (дополнительная принадлежность) | 7 | Губчатая пластина | 8 | Корпус пылесоса |
| 9 | Кистевой ремень (в зависимости от страны) | - | - | - | - | - | - |

СБОРКА

▲ВНИМАНИЕ: Перед проведением каких-либо работ с инструментом обязательно убедитесь, что инструмент отключен, а блок аккумулятора снят.

ПРИМЕЧАНИЕ: Перед началом использования убедитесь в том, что все насадки и компоненты надежно закреплены на своих местах.

Установка и снятие насадок пылесоса

▲ВНИМАНИЕ: После установки насадки убедитесь в надежности ее установки. При неправильной установке насадок они могут соскочить и нанести травму.

▲ВНИМАНИЕ: При снятии насадок будьте осторожны, чтобы не удариться рукой о стену и т. д.

При использовании насадки с фиксацией

Для установки насадки вставьте ее во впускное отверстие пылесоса до щелчка. Убедитесь в том, что насадка зафиксирована.

► Рис.7: 1. Впускное отверстие 2. Насадка с фиксацией 3. Крючок

ПРИМЕЧАНИЕ: При установке насадки с фиксацией убедитесь в том, что кнопка разблокировки пылесоса совмещена с крючком на насадке. Если их не совместить, то насадка не будет зафиксирована и может соскочить с пылесоса.

Для снятия насадки стяните ее с пылесоса, нажимая и удерживая рычажки кнопки разблокировки.

► Рис.8: 1. Кнопка разблокировки 2. Рычажок кнопки разблокировки 3. Насадка с фиксацией 4. Всасывающее отверстие

При использовании насадки без фиксации

ПРИМЕЧАНИЕ: Для установки насадки без функции блокировки вставьте ее во всасывающее отверстие пылесоса крутящим движением, как показано на рисунке. Для снятия насадки выньте ее из пылесоса крутящим движением, как показано на рисунке. Не крутите насадку в направлении, противоположном стрелке, показанной на рисунке, поскольку это может привести к расшатыванию циклонного блока.

► Рис.9

ЭКСПЛУАТАЦИЯ

▲ВНИМАНИЕ: Во время работы с пылесосом не приближайте лицо слишком близко к вентиляционному отверстию. Попадание в глаза посторонних предметов может привести к травме.

ПРИМЕЧАНИЕ: Не используйте пылесос в горизонтальном положении или лицевой стороной вверх. В противном случае возможно засорение сетчатого фильтра.

ПРИМЕЧАНИЕ: Пылесос следует использовать только с установленными фильтрами. Использование пылесоса без фильтров может привести к отказу двигателя.

ПРИМЕЧАНИЕ: Опорожняйте корпус для сбора пыли в циклонном блоке при накоплении пыли. Дальнейшее использование может привести к снижению силы всасывания.

Циклонный блок помогает уменьшить количество пыли, попадающей в пылесос, повышая производительность на всасывании за счет легкого и простого пылеудаления.

Чистка (всасывание)

Насадка

Только с корпусом для сбора пыли емкостью 250 мл

Прикрепите насадку для чистки столов, письменных столов, мебели и т. д. Насадка легко скользит.

► Рис.10: 1. Насадка

Насадка + удлиняющая труба (прямая труба)

Удлиняющая труба вставляется между насадкой и самим пылесосом. С помощью такого приспособления удобно чистить полы стоя.

► Рис.11: 1. Корпус пылесоса 2. Удлиняющая труба 3. Насадка

Угловая насадка

Прикрепите угловую насадку для чистки углов и щелей автомобилей или мебели.

► Рис.12: 1. Угловая насадка 2. Корпус пылесоса

Угловую насадку можно хранить в держателе насадки.

► Рис.13: 1. Держатель насадки 2. Угловая насадка

ВНИМАНИЕ: Будьте осторожны, чтобы не защемить пальцы между угловой насадкой и держателем насадки. Защемление пальцев может привести к травме.

Угловая насадка + удлиняющая труба (прямая труба)

Используйте это приспособление в тесных углах, где невозможно поместить сам пылесос, или в труднодоступных высоких местах.

► Рис.14: 1. Угловая насадка 2. Удлиняющая труба 3. Корпус пылесоса

Чистка без насадки

Только с корпусом для сбора пыли емкостью 250 мл

Мелкие частицы и пыль можно собирать без насадки.

► Рис.15

Для удобства при сборе пыли с пола в положении стоя можно прикрепить к пылесосу удлиняющую трубу (прямую трубу).

► Рис.16: 1. Удлиняющая труба

Удаление пыли

ВНИМАНИЕ: Опорожните пылесос до того, как он заполнится, или сила всасывания уменьшится.

ВНИМАНИЕ: Соблюдайте осторожность во избежание защемления пальца(ев) между корпусом для сбора пыли и корпусом циклона во время разборки.

Удаляйте накопившуюся пыль, как описано далее, до того как она превысит линию пылеудаления.

1. Направьте головку пылесоса вниз, крепко удерживая корпус для сбора пыли, а затем стяните его с корпуса циклона, нажимая и удерживая кнопки разблокировки с обеих сторон корпуса для сбора пыли.

► Рис.17: 1. Линия пылеудаления 2. Корпус для сбора пыли 3. Кнопки разблокировки 4. Сетчатый фильтр

2. Опорожните корпус для сбора пыли и счистите налившуюся пыль с сетчатого фильтра.

► Рис.18

3. Поместите корпус для сбора пыли обратно на корпус циклона и зафиксируйте его с щелчками.

► Рис.19: 1. Корпус для сбора пыли 2. Кнопки разблокировки 3. Корпус циклона

ВНИМАНИЕ: Пыль может разлетаться при удалении из корпуса для сбора пыли. Соблюдайте осторожность, чтобы пыль не попала в глаза.

ПРИМЕЧАНИЕ: При загрязнении корпуса для сбора пыли его следует извлечь и промыть водой. Тщательно просушите корпус для сбора пыли перед обратной сборкой и использованием.

ПРИМЕЧАНИЕ: Перед началом использования убедитесь в том, что все насадки и компоненты надежно закреплены на своих местах.

ПРИМЕЧАНИЕ: Если сила всасывания не восстановится даже после удаления пыли и очистки сетчатого фильтра, убедитесь в том, что пыль не скопилась внутри корпуса циклона, или в том, что не произошло засорения.

ОБСЛУЖИВАНИЕ

ВНИМАНИЕ: Перед проведением проверки или работ по техобслуживанию всегда проверяйте, что инструмент выключен, а блок аккумулятора снят.

ПРИМЕЧАНИЕ: Запрещается использовать бензин, растворители, спирт и другие подобные жидкости. Это может привести к обесцвечиванию, деформации и трещинам.

Для обеспечения БЕЗОПАСНОСТИ и НАДЕЖНОСТИ оборудования ремонт, любое другое техобслуживание или регулировку необходимо производить в уполномоченных сервис-центрах Makita или сервис-центрах предприятия с использованием только сменных частей производства Makita.

После использования

ВНИМАНИЕ: Если прислонить пылесос к стене без дополнительных опор, это может привести к его падению, повредить его или стать причиной травмы.

► Рис.20

ПРИМЕЧАНИЕ: Очищайте фильтры в циклонном блоке при их засорении. Дальнейшее использование в засоренном состоянии может привести к перегреву или возгоранию.

ПРИМЕЧАНИЕ: Не удаляйте пыль с пылесоса и фильтров с помощью пылеуловителя. При этом пыль попадает внутрь корпуса, что становится причиной неполадок.

Регулярное техническое обслуживание требуется для восстановления нормальных условий работы.

Корпус пылесоса

Протрите внешнюю часть (корпус пылесоса) с помощью тряпки, смоченной мыльной водой, и прочищайте всасывающие отверстия.

► Рис.21

Циклонный блок и фильтры

ПРИМЕЧАНИЕ: При снижении эффективности всасывания удалите пыль и очистите внутреннюю часть циклонного блока и фильтры независимо от количества пыли, скопившейся в корпусе для сбора пыли.

ПРИМЕЧАНИЕ: После промывки фильтров высушите их перед использованием. Использование влажного фильтра может привести к плохому всасыванию и уменьшить срок службы двигателя.

ПРИМЕЧАНИЕ: После очистки фильтров и губчатой пластины установите их на место перед использованием. При эксплуатации пылесоса без фильтров и губчатой пластины пыль попадает в корпус двигателя и вызывает неполадки.

Циклонный блок

1. Постучите несколько раз рукой по циклонному блоку для удаления пыли, налипшей на внутреннюю поверхность циклонного блока и фильтр.

► Рис.22: 1. Циклонный блок

2. Направив всасывающее отверстие вниз, поверните циклонный блок как показано на рисунке, совместив указатель на циклонном блоке с указателем на корпусе пылесоса для расцепления фиксатора. Затем отсоедините циклонный блок от корпуса пылесоса медленным прямым движением.

► Рис.23: 1. Циклонный блок 2. Всасывающее отверстие 3. Указатели 4. Фильтр

ПРИМЕЧАНИЕ: При разборке циклонного блока может разлетаться пыль. Под циклонным блоком рекомендуется поместить мешок для сбора мусора.

3. Удалите пыль, скопившуюся внутри циклонного блока и фильтра.

► Рис.24

4. Установите циклонный блок обратно на корпус пылесоса, совместив указатель на циклонном блоке с указателем на корпусе пылесоса. Затем поверните циклонный блок, как показано на рисунке, до фиксации на своем месте.

► Рис.25: 1. Циклонный блок 2. Корпус пылесоса 3. Указатели

Высокоэффективный фильтр

Дополнительные принадлежности

1. Снимите циклонный блок с корпуса пылесоса.
2. Держась за крепежный конец высокоэффективного фильтра, снимите его с корпуса пылесоса.

► Рис.26: 1. Высокоэффективный фильтр
2. Корпус пылесоса

3. Протрите высокоэффективный фильтр и стряхните с него пыль вручную.

► Рис.27

4. При засорении высокоэффективного фильтра пылью и грязью промойте его в мыльной воде. Тщательно высушите его в тени перед использованием.

► Рис.28

ПРИМЕЧАНИЕ: Не скрепляйте соединительный конец (резиновое уплотнительное кольцо) высокоэффективного фильтра при его вывешивании для просушки.

5. Держась за крепежный конец высокоэффективного фильтра, вставьте его обратно в корпус пылесоса.

► Рис.29: 1. Высокоэффективный фильтр
2. Корпус пылесоса

Фильтр HEPA

Дополнительные принадлежности

ПРИМЕЧАНИЕ: Не трите и не скребите фильтр HEPA твердыми предметами, например щеткой или скребком.

1. Снимите циклонный блок с корпуса пылесоса.

2. Держась за крепежный конец фильтра HEPA (покрытого высокоэффективным фильтром предварительной очистки), снимите его с корпуса пылесоса.

► Рис.30: 1. Фильтр HEPA (покрытый высокоэффективным фильтром предварительной очистки) 2. Корпус пылесоса

3. Снимите высокоэффективный фильтр предварительной очистки с фильтра HEPA, вывернув его рукой.

► Рис.31: 1. Высокоэффективный фильтр предварительной очистки 2. Фильтр HEPA

4. Протрите высокоэффективный фильтр предварительной очистки и фильтр HEPA и стряхните с них пыль вручную.

► Рис.32

5. Промойте высокоэффективный фильтр предварительной очистки и фильтр HEPA в мыльной воде. Ополосните и тщательно высушите их в тени перед использованием.

► Рис.33

ПРИМЕЧАНИЕ: Не скрепляйте соединительный конец (резиновое уплотнительное кольцо) фильтра HEPA при его вывешивании для просушки.

6. Закрепите высокоэффективный фильтр предварительной очистки на фильтре HEPA.

► Рис.34: 1. Высокоэффективный фильтр предварительной очистки 2. Фильтр HEPA

7. Держась за крепежный конец фильтра HEPA (покрытого высокоэффективным фильтром предварительной очистки), вставьте его обратно в корпус пылесоса.

► **Рис.35:** 1. Фильтр HEPA (покрытый высокоэффективным фильтром предварительной очистки) 2. Корпус пылесоса

Губчатая пластина

1. Снимите циклонный блок с корпуса пылесоса.

2. Держась за крепежный конец фильтра, снимите его с корпуса пылесоса.

► **Рис.36:** 1. Фильтр 2. Корпус пылесоса

3. Снимите губчатую пластину со всасывающего отверстия.

► **Рис.37:** 1. Губчатая пластина 2. Всасывающее отверстие

4. Протрите губчатую пластину и смахните с нее пыль рукой.

► **Рис.38**

5. При засорении губчатой пластины пылью и грязью промойте ее в мыльной воде. Тщательно высушите его в тени перед использованием.

► **Рис.39**

6. Поместите губчатую пластину обратно в ее первоначальное положение. Убедитесь в том, что левая и правая кромки губчатой пластины зафиксированы стопорами, а также в отсутствии зазора между губчатой пластиной и всасывающим отверстием.

► **Рис.40:** 1. Губчатая пластина 2. Стопор 3. Всасывающее отверстие

7. Держась за крепежный конец фильтра, вставьте его обратно в корпус пылесоса.

► **Рис.41:** 1. Фильтр 2. Корпус пылесоса

Обслуживание по техническому состоянию

ПРИМЕЧАНИЕ: Очищайте сетчатый фильтр в циклонном блоке при его засорении.

Дальнейшее использование в засоренном состоянии может привести к перегреву или возгоранию.

Необходимость в глубокой и точечной очистке определяется текущей производительностью инструмента.

Сетчатый фильтр

Когда загрязнится корпус для сбора пыли или засорится сетчатый фильтр, извлеките и промойте их водой. (Процедуру удаления см. в разделе “Утилизация пыли”).

1. Крепко удерживая корпус для сбора пыли, стяните его с корпуса циклона, нажимая и удерживая кнопки разблокировки с обеих сторон корпуса для сбора пыли.

► **Рис.42:** 1. Корпус для сбора пыли 2. Корпус циклона 3. Кнопки разблокировки

2. Поверните сетчатый фильтр, как показано на рисунке, для расцепления фиксатора. Затем снимите его с корпуса пылесоса.

► **Рис.43:** 1. Сетчатый фильтр

3. Разберите сетчатый фильтр на три компонента: фильтр предварительной очистки, цилиндрический губчатый фильтр и сетчатую трубку.

i Прижмите друг к другу направляющие стопоры в верхней части сетчатой трубки.

ii Проденьте направляющие стопоры через направляющее отверстие в верхней части фильтра предварительной очистки.

iii Проведите фильтр предварительной очистки вдоль цилиндрического губчатого фильтра и сетчатой трубки.

iv Выньте цилиндрический губчатый фильтр из сетчатой трубки.

► **Рис.44:** 1. Фильтр предварительной очистки 2. Цилиндрический губчатый фильтр 3. Сетчатая трубка 4. Направляющие стопоры 5. Направляющее отверстие

4. Протрите фильтры и сетчатую трубку и смахните с них пыль рукой.

► **Рис.45**

5. При засорении фильтров и сетчатой трубки пылью и грязью промойте их в мыльной воде. Тщательно высушите их в тени перед использованием.

► **Рис.46**

6. Соберите сетчатый фильтр.

i Вставьте цилиндрический губчатый фильтр в фильтр предварительной очистки.

ii Вставьте сетчатую трубку в цилиндрический губчатый фильтр и фильтр предварительной очистки, проведя направляющие стопоры, находящиеся в верхней части сетчатой трубки, через направляющее отверстие в верхней части фильтра предварительной очистки.

iii Протолкните сетчатую трубку через цилиндрический губчатый фильтр и фильтр предварительной очистки до ее фиксации с щелчком.

► **Рис.47:** 1. Фильтр предварительной очистки 2. Цилиндрический губчатый фильтр 3. Сетчатая трубка 4. Направляющие стопоры 5. Направляющее отверстие

7. Вставьте сетчатый фильтр обратно в корпус циклона, совместив фиксаторы на сетчатом фильтре с пазами всасывающего отверстия в корпусе циклона. Поверните сетчатый фильтр, как показано на рисунке, до защелкивания фиксаторов. Убедитесь в том, что сетчатый фильтр надежно зафиксирован.

► **Рис.48:** 1. Сетчатый фильтр 2. Корпус циклона 3. Фиксатор 4. Паз

Воздуховоды в циклонном блоке

Поступающие в циклонный блок посторонние вещества могут закупоривать его воздуховоды, затрудняя прохождение воздушных потоков. В случае заметного ухудшения производительности на всасывании удалите все препятствия на пути прохождения воздуха.

1. Разберите циклонный блок на три компонента: корпус для сбора пыли, сетчатый фильтр и корпус циклона.

► **Рис.49:** 1. Корпус для сбора пыли 2. Сетчатый фильтр 3. Корпус циклона 4. Корпус пылесоса

2. Вдавите направляющий стопор на входной трубке через фиксирующее отверстие в корпусе циклона с помощью ручного остроконечного инструмента. Затем снимите входную трубку с корпуса пылесоса.

► **Рис.50:** 1. Входная трубка 2. Направляющий стопор 3. Корпус циклона 4. Фиксирующее отверстие

3. Вычистите все вещества, находящиеся в воздуховодах.

Посторонние вещества могут застревать в воздухозаборнике.

► **Рис.51:** 1. Всасывающее отверстие 2. Воздухозаборник

4. Вставьте входную трубку обратно на место до полной фиксации.

► **Рис.52:** 1. Входная трубка 2. Корпус циклона 3. Уплотнительное кольцо 4. Откидной клапан

ПРИМЕЧАНИЕ: Перед обратной сборкой уплотнительное кольцо и откидной клапан обязательно должны быть закреплены на своих местах. При работе циклонного блока без уплотнительного кольца и откидного клапана возможно ухудшение производительности на всасывании.

5. Соберите циклонный блок и закрепите его на корпусе пылесоса.

Устранение неполадок

Перед ремонтом проверьте следующее:

| Неисправность | Что проверить | Способ исправления |
|-------------------------------|--|--|
| Недостаточная сила всасывания | Не заполнены ли пылью корпус для сбора пыли или внутренняя часть циклонного блока? | Опорожните корпус для сбора пыли или внутреннюю часть циклонного блока. |
| | Не засорились ли фильтры? | Вытряхните пыль или промойте высокоэффективный фильтр/фильтр НЕПА/губчатую пластину/сетчатый фильтр. |
| | Не перекрыты ли приемные воздухопроводы? | Вычистите пыль и посторонние предметы из отверстий для впуска воздуха и воздухопроводов. |
| | Не разряжен ли блок аккумулятора? | Зарядите блок аккумулятора. |
| Не работает | Не разряжен ли блок аккумулятора? | Зарядите блок аккумулятора. |
| Шум и вибрации | Не засорились ли фильтры? | Вытряхните пыль или промойте высокоэффективный фильтр/фильтр НЕПА/губчатую пластину/сетчатый фильтр. |
| | Не перекрыты ли зазоры или отверстия посторонними предметами? | Полностью очистите насадки, трубки и отверстия для впуска и выпуска воздуха от пыли и посторонних предметов. |
| | Не перекрыты ли всасывающее отверстие насадки или трубка? | Снимите крышку и откройте всасывающее отверстие насадки и трубку. |

ВНИМАНИЕ: Не пытайтесь ремонтировать пылесос самостоятельно.

ДОПОЛНИТЕЛЬНЫЕ ПРИНАДЛЕЖНОСТИ

ВНИМАНИЕ: Данные принадлежности или приспособления рекомендуются для использования с инструментом Makita, указанным в настоящем руководстве. Использование других принадлежностей или приспособлений может привести к получению травмы. Используйте принадлежность или приспособление только по указанному назначению.

Если вам необходимо содействие в получении дополнительной информации по этим принадлежностям, свяжитесь с вашим сервис-центром Makita.

- Удлиняющая труба (прямая труба)
- Насадка
- Насадка для чистки ковра
- Щетка для чистки полов

- Угловая насадка
- Круглая щетка
- Гибкий шланг
- Высокоэффективный фильтр
- Фильтр НЕПА
- Насадка для очистки сиденья
- Сопло для чистки щелей
- Сумка для инструмента
- Оригинальный аккумулятор и зарядное устройство Makita

ПРИМЕЧАНИЕ: Некоторые элементы списка могут входить в комплект инструмента в качестве стандартных приспособлений. Они могут отличаться в зависимости от страны.

Makita Europe N.V. Jan-Baptist Vinkstraat 2,
3070 Kortenberg, Belgium

Makita Corporation 3-11-8, Sumiyoshi-cho,
Anjo, Aichi 446-8502 Japan

www.makita.com

885966-988
EN, SV, NO, FI, DA,
LV, LT, ET, RU
20211228