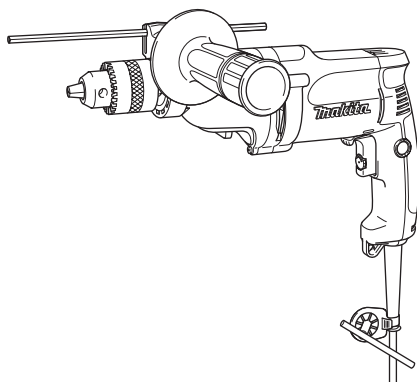




|    |                                |                         |    |
|----|--------------------------------|-------------------------|----|
| EN | 2-Speed Drill                  | INSTRUCTION MANUAL      | 4  |
| FR | 2 Vitesses Perceuse            | MANUEL D'INSTRUCTIONS   | 8  |
| DE | 2-Gang Bohrmaschine            | BETRIEBSANLEITUNG       | 13 |
| IT | Trapano a 2 velocità           | ISTRUZIONI PER L'USO    | 18 |
| NL | Boormachine met 2 toerentallen | GEBRUIKSAANWIJZING      | 23 |
| ES | Taladro de 2 Velocidades       | MANUAL DE INSTRUCCIONES | 28 |
| PT | Furadeira de 2 Velocidades     | MANUAL DE INSTRUÇÕES    | 33 |
| DA | 2-hastighedsboremaskine        | BRUGSANVISNING          | 37 |
| EL | Τρυπάνι 2 ταχυτήτων            | ΕΓΧΕΙΡΙΔΙΟ ΟΔΗΓΙΩΝ      | 41 |
| TR | 2 Hızlı Matkap                 | KULLANMA KILAVUZU       | 46 |

**DP4010**  
**DP4011**



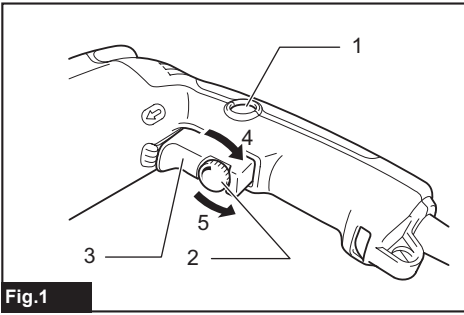


Fig.1

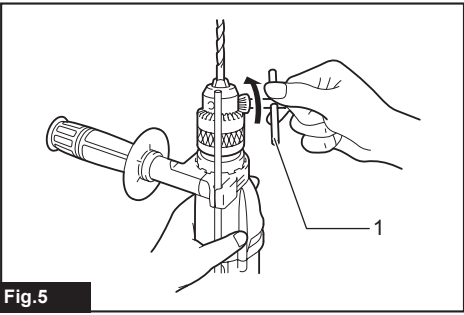


Fig.5

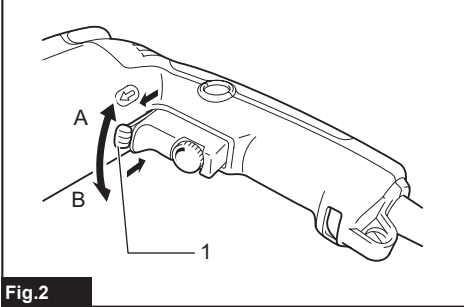


Fig.2

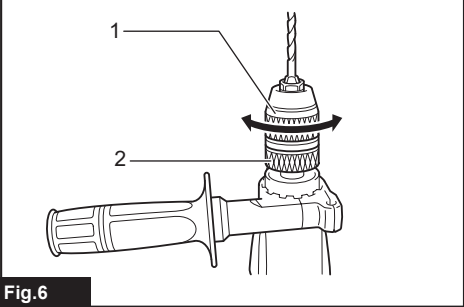


Fig.6

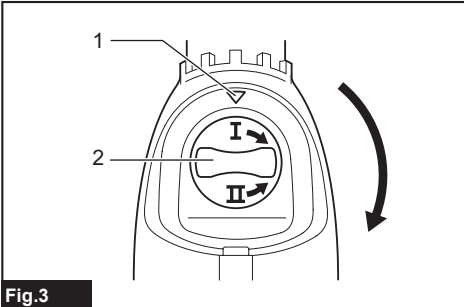


Fig.3

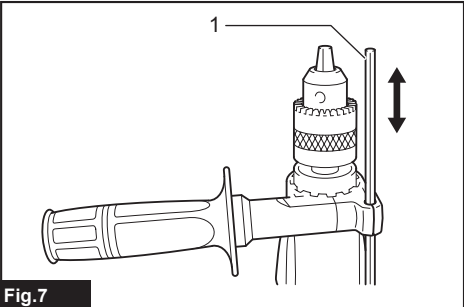


Fig.7

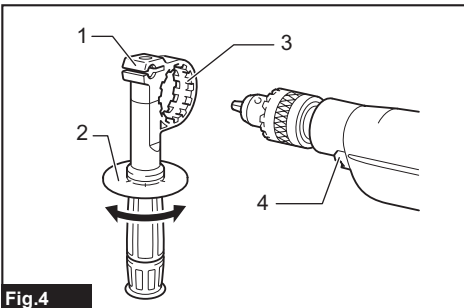


Fig.4

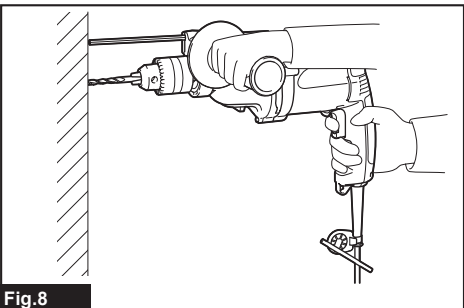
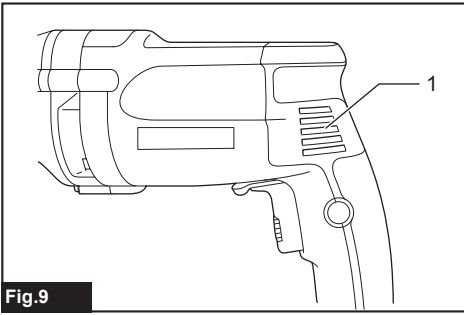


Fig.8



**Fig.9**

# SPECIFICATIONS

| Model:              |       | DP4010 / DP4011             |                             |
|---------------------|-------|-----------------------------|-----------------------------|
| Speed               |       | High                        | Low                         |
| Drilling capacities | Steel | 8 mm                        | 13 mm                       |
|                     | Wood  | 25 mm                       | 40 mm                       |
| No load speed       |       | 0 - 2,900 min <sup>-1</sup> | 0 - 1,200 min <sup>-1</sup> |
| Overall length      |       | 347 mm                      |                             |
| Net weight          |       | 2.3 kg                      |                             |
| Safety class        |       | □/II                        |                             |

- Due to our continuing program of research and development, the specifications herein are subject to change without notice.
- Specifications may differ from country to country.
- Weight according to EPTA-Procedure 01/2014

## Intended use

The tool is intended for drilling in wood, metal and plastic.

## Power supply

The tool should be connected only to a power supply of the same voltage as indicated on the nameplate, and can only be operated on single-phase AC supply. They are double-insulated and can, therefore, also be used from sockets without earth wire.

## Noise

The typical A-weighted noise level determined according to EN62841-2-1:

Sound pressure level ( $L_{pA}$ ): 83 dB (A)

Sound power level ( $L_{WA}$ ): 91 dB (A)

Uncertainty (K): 3 dB (A)

**NOTE:** The declared noise emission value(s) has been measured in accordance with a standard test method and may be used for comparing one tool with another.

**NOTE:** The declared noise emission value(s) may also be used in a preliminary assessment of exposure.

**⚠ WARNING:** Wear ear protection.

**⚠ WARNING:** The noise emission during actual use of the power tool can differ from the declared value(s) depending on the ways in which the tool is used especially what kind of workpiece is processed.

**⚠ WARNING:** Be sure to identify safety measures to protect the operator that are based on an estimation of exposure in the actual conditions of use (taking account of all parts of the operating cycle such as the times when the tool is switched off and when it is running idle in addition to the trigger time).

## Vibration

The vibration total value (tri-axial vector sum) determined according to EN62841-2-1:

Work mode: drilling into metal

Vibration emission ( $a_{h,D}$ ): 2.5 m/s<sup>2</sup> or less

Uncertainty (K): 1.5 m/s<sup>2</sup>

**NOTE:** The declared vibration total value(s) has been measured in accordance with a standard test method and may be used for comparing one tool with another.

**NOTE:** The declared vibration total value(s) may also be used in a preliminary assessment of exposure.

**⚠ WARNING:** The vibration emission during actual use of the power tool can differ from the declared value(s) depending on the ways in which the tool is used especially what kind of workpiece is processed.

**⚠ WARNING:** Be sure to identify safety measures to protect the operator that are based on an estimation of exposure in the actual conditions of use (taking account of all parts of the operating cycle such as the times when the tool is switched off and when it is running idle in addition to the trigger time).

## Declarations of Conformity

### For European countries only

The Declarations of conformity are included in Annex A to this instruction manual.

# SAFETY WARNINGS

## General power tool safety warnings

**⚠ WARNING:** Read all safety warnings, instructions, illustrations and specifications provided with this power tool. Failure to follow all instructions listed below may result in electric shock, fire and/or serious injury.

## Save all warnings and instructions for future reference.

The term "power tool" in the warnings refers to your mains-operated (corded) power tool or battery-operated (cordless) power tool.

### Drill safety warnings

#### Safety instructions for all operations

1. Use the auxiliary handle(s). Loss of control can cause personal injury.
2. Hold the power tool by insulated gripping surfaces, when performing an operation where the cutting accessory may contact hidden wiring or its own cord. Cutting accessory contacting a "live" wire may make exposed metal parts of the power tool "live" and could give the operator an electric shock.
3. Always be sure you have a firm footing. Be sure no one is below when using the tool in high locations.
4. Hold the tool firmly.
5. Keep hands away from rotating parts.
6. Do not leave the tool running. Operate the tool only when hand-held.
7. Do not touch the drill bit or the workpiece immediately after operation; they may be extremely hot and could burn your skin.
8. Some material contains chemicals which may be toxic. Take caution to prevent dust inhalation and skin contact. Follow material supplier safety data.
9. If the drill bit cannot be loosened even you open the jaws, use pliers to pull it out. In such a case, pulling out the drill bit by hand may result in injury by its sharp edge.

#### Safety instructions when using long drill bits

1. Never operate at higher speed than the maximum speed rating of the drill bit. At higher speeds, the bit is likely to bend if allowed to rotate freely without contacting the workpiece, resulting in personal injury.
2. Always start drilling at low speed and with the bit tip in contact with the workpiece. At higher speeds, the bit is likely to bend if allowed to rotate freely without contacting the workpiece, resulting in personal injury.
3. Apply pressure only in direct line with the bit and do not apply excessive pressure. Bits can bend causing breakage or loss of control, resulting in personal injury.

## SAVE THESE INSTRUCTIONS.

**WARNING:** DO NOT let comfort or familiarity with product (gained from repeated use) replace strict adherence to safety rules for the subject product. MISUSE or failure to follow the safety rules stated in this instruction manual may cause serious personal injury.

## FUNCTIONAL DESCRIPTION

**CAUTION:** Always be sure that the tool is switched off and unplugged before adjusting or checking function on the tool.

### Switch action

**CAUTION:** Before plugging in the tool, always check to see that the switch trigger actuates properly and returns to the "OFF" position when released.

- Fig.1: 1. Lock button 2. Speed control screw 3. Switch trigger 4. Higher 5. Lower

To start the tool, simply pull the switch trigger. Tool speed is increased by increasing pressure on the switch trigger. Release the switch trigger to stop.

For continuous operation, pull the switch trigger and then push in the lock button.

To stop the tool from the locked position, pull the switch trigger fully, then release it.

A speed control screw is provided so that maximum tool speed can be limited (variable). Turn the speed control screw clockwise for higher speed, and counterclockwise for lower speed.

### Reversing switch action

**CAUTION:** Always check the direction of rotation before operation.

**CAUTION:** Use the reversing switch only after the tool comes to a complete stop. Changing the direction of rotation before the tool stops may damage the tool.

- Fig.2: 1. Reversing switch lever

This tool has a reversing switch to change the direction of rotation. Move the reversing switch lever to the position ↶ (A side) for clockwise rotation or to the position ↷ (B side) for counterclockwise rotation.

### Speed change

- Fig.3: 1. Arrow 2. Speed change knob

Two speed ranges can be preselected with the speed change knob.

To change the speed, turn the speed change knob so that the arrow on the tool body points toward the "I" position on the knob for low speed or "II" position for high speed.

If it is hard to turn the knob, first turn the chuck slightly in either direction and then turn the knob again.

**CAUTION:** Use the speed change knob only after the tool comes to a complete stop. Changing the tool speed before the tool stops may damage the tool.

**CAUTION:** Always set the speed change knob to the correct position. If you operate the tool with the speed change knob positioned halfway between the "I" and "II" position, the tool may be damaged.

## ASSEMBLY

**⚠ CAUTION:** Always be sure that the tool is switched off and unplugged before carrying out any work on the tool.

### Installing side grip (auxiliary handle)

- Fig.4: 1. Grip base 2. Side grip (auxiliary handle) 3. Teeth 4. Protrusion

Always use the side grip to ensure operating safety. Install the side grip so that the teeth on the grip fit in between the protrusions on the tool barrel. Then tighten the grip by turning clockwise at the desired position.

**NOTE:** The depth gauge cannot be used at the position where the depth gauge strikes against the tool body.

### Installing or removing drill bit

**⚠ CAUTION:** Always be sure that the tool is switched off and unplugged before installing or removing the drill bit.

#### For model DP4010

- Fig.5: 1. Chuck key

To install the drill bit, place it in the drill chuck as far as it will go. Tighten the chuck by hand. Place the chuck key in each of the three holes and tighten clockwise. Be sure to tighten all three chuck holes evenly.

To remove the drill bit, turn the drill chuck key counterclockwise in just one hole, then loosen the chuck by hand.

After using the chuck key, be sure to return it to the original position.

#### For model DP4011

- Fig.6: 1. Sleeve 2. Ring

Hold the ring and turn the sleeve counterclockwise to open the chuck jaws. Place the drill bit in the drill chuck as far as it will go. Hold the ring firmly and turn the sleeve clockwise to tighten the chuck.

To remove the drill bit, hold the ring and turn the sleeve counterclockwise.

### Depth gauge

#### Optional accessory

The depth gauge is convenient for drilling holes of uniform depth. Loosen the side grip and insert the depth gauge into the hole on the side grip. Adjust the depth gauge to the desired depth and tighten the side grip firmly.

- Fig.7: 1. Depth gauge

**NOTE:** The depth gauge cannot be used at the position where the depth gauge strikes against the tool body.

## OPERATION

### Holding tool

- Fig.8

Always use the side grip (auxiliary handle) and firmly hold the tool by side grip and switch handle during operations.

### Drilling operation

#### Drilling in wood

When drilling in wood, the best results are obtained with wood drills equipped with a guide screw. The guide screw makes drilling easier by pulling the drill bit into the workpiece.

#### Drilling in metal

To prevent the drill bit from slipping when starting a hole, make an indentation with a center-punch and hammer at the point to be drilled. Place the point of the drill bit in the indentation and start drilling. Use a cutting lubricant when drilling metals. The exceptions are iron and brass which should be drilled dry.

**⚠ CAUTION:** Pressing excessively on the tool will not speed up the drilling. In fact, this excessive pressure will only serve to damage the tip of your drill bit, decrease the tool performance and shorten the service life of the tool.

**⚠ CAUTION:** Hold the tool firmly and exert care when the drill bit begins to break through the workpiece. There is a tremendous force exerted on the tool/drill bit at the time of hole break through.

**⚠ CAUTION:** A stuck drill bit can be removed simply by setting the reversing switch to reverse rotation in order to back out. However, the tool may back out abruptly if you do not hold it firmly.

**⚠ CAUTION:** Always secure workpieces in a vise or similar hold-down device.

**⚠ CAUTION:** Avoid drilling in material that you suspect contains hidden nails or other things that may cause the drill bit to bind or break.

# MAINTENANCE

**⚠ CAUTION:** Always be sure that the tool is switched off and unplugged before attempting to perform inspection or maintenance.

**NOTICE:** Never use gasoline, benzene, thinner, alcohol or the like. Discoloration, deformation or cracks may result.

## Cleaning vent holes

► **Fig.9:** 1. Vent holes

The tool and its air vents have to be kept clean. Regularly clean the tool's air vents or whenever the vents start to become obstructed.

To maintain product SAFETY and RELIABILITY, repairs, carbon brush inspection and replacement, any other maintenance or adjustment should be performed by Makita Authorized or Factory Service Centers, always using Makita replacement parts.

# OPTIONAL ACCESSORIES

**⚠ CAUTION:** These accessories or attachments are recommended for use with your Makita tool specified in this manual. The use of any other accessories or attachments might present a risk of injury to persons. Only use accessory or attachment for its stated purpose.

If you need any assistance for more details regarding these accessories, ask your local Makita Service Center.

- Drill bits
- Hole saws
- Keyless drill chuck
- Chuck key
- Grip assembly
- Depth gauge
- Plastic carrying case

**NOTE:** Some items in the list may be included in the tool package as standard accessories. They may differ from country to country.

## SPÉCIFICATIONS

| Modèle :              |       | DP4010 / DP4011             |                             |
|-----------------------|-------|-----------------------------|-----------------------------|
| Vitesse               |       | Élevée                      | Basse                       |
| Capacités de perçage  | Acier | 8 mm                        | 13 mm                       |
|                       | Bois  | 25 mm                       | 40 mm                       |
| Vitesse à vide        |       | 0 - 2 900 min <sup>-1</sup> | 0 - 1 200 min <sup>-1</sup> |
| Longueur totale       |       | 347 mm                      |                             |
| Poids net             |       | 2,3 kg                      |                             |
| Catégorie de sécurité |       | □/II                        |                             |

- Étant donné l'évolution constante de notre programme de recherche et de développement, les spécifications contenues dans ce manuel sont sujettes à modification sans préavis.
- Les spécifications peuvent varier suivant les pays.
- Poids selon la procédure EPTA 01/2014

### Utilisations

L'outil est conçu pour percer dans le bois, le métal et le plastique.

### Alimentation

L'outil ne devra être raccordé qu'à une alimentation de la même tension que celle qui figure sur la plaque signalétique, et il ne pourra fonctionner que sur un courant secteur monophasé. Réalisé avec une double isolation, il peut de ce fait être alimenté par une prise sans mise à la terre.

### Bruit

Niveau de bruit pondéré A typique, déterminé selon EN62841-2-1 :

Niveau de pression sonore ( $L_{pA}$ ) : 83 dB (A)

Niveau de puissance sonore ( $L_{WA}$ ) : 91 dB (A)

Incertitude (K) : 3 dB (A)

**NOTE** : La ou les valeurs d'émission de bruit déclarées ont été mesurées conformément à la méthode de test standard et peuvent être utilisées pour comparer les outils entre eux.

**NOTE** : La ou les valeurs d'émission de bruit déclarées peuvent aussi être utilisées pour l'évaluation préliminaire de l'exposition.

**⚠ AVERTISSEMENT** : Portez un serre-tête antibruit.

**⚠ AVERTISSEMENT** : L'émission de bruit lors de l'usage réel de l'outil électrique peut être différente de la ou des valeurs déclarées, suivant la façon dont l'outil est utilisé, particulièrement selon le type de pièce usinée.

**⚠ AVERTISSEMENT** : Les mesures de sécurité à prendre pour protéger l'utilisateur doivent être basées sur une estimation de l'exposition dans des conditions réelles d'utilisation (en tenant compte de toutes les composantes du cycle d'utilisation, comme par exemple le moment de sa mise hors tension, lorsqu'il tourne à vide et le moment de son déclenchement).

### Vibrations

Valeur totale de vibrations (somme de vecteur triaxial) déterminée selon EN62841-2-1 :

Mode de travail : perçage dans le métal

Émission de vibrations ( $a_{h,D}$ ) : 2,5 m/s<sup>2</sup> ou moins

Incertitude (K) : 1,5 m/s<sup>2</sup>

**NOTE** : La ou les valeurs de vibration totales déclarées ont été mesurées conformément à la méthode de test standard et peuvent être utilisées pour comparer les outils entre eux.

**NOTE** : La ou les valeurs de vibration totales déclarées peuvent aussi être utilisées pour l'évaluation préliminaire de l'exposition.

**⚠️ AVERTISSEMENT** : L'émission de vibrations lors de l'usage réel de l'outil électrique peut être différente de la ou des valeurs déclarées, suivant la façon dont l'outil est utilisé, particulièrement selon le type de pièce usinée.

**⚠️ AVERTISSEMENT** : Les mesures de sécurité à prendre pour protéger l'utilisateur doivent être basées sur une estimation de l'exposition dans des conditions réelles d'utilisation (en tenant compte de toutes les composantes du cycle d'utilisation, comme par exemple le moment de sa mise hors tension, lorsqu'il tourne à vide et le moment de son déclenchement).

## Déclarations de conformité

### *Pour les pays européens uniquement*

Les déclarations de conformité sont fournies en Annexe A à ce mode d'emploi.

## CONSIGNES DE SÉCURITÉ

### Consignes de sécurité générales pour outils électriques

**⚠️ AVERTISSEMENT** : Veuillez lire les consignes de sécurité, instructions, illustrations et spécifications qui accompagnent cet outil électrique. Le non-respect de toutes les instructions indiquées ci-dessous peut entraîner une électrocution, un incendie et/ou de graves blessures.

## Conservez toutes les mises en garde et instructions pour référence ultérieure.

Le terme « outil électrique » dans les avertissements fait référence à l'outil électrique alimenté par le secteur (avec cordon d'alimentation) ou à l'outil électrique fonctionnant sur batterie (sans cordon d'alimentation).

### Avertissements de sécurité de la perceuse

#### Consignes de sécurité pour toutes les tâches

1. **Utilisez la ou les poignées auxiliaires.** Toute perte de maîtrise de l'outil comporte un risque de blessure.
2. **Tenez l'outil électrique par des surfaces de prise isolées lorsque vous effectuez une tâche au cours de laquelle l'accessoire de coupe peut entrer en contact avec des fils cachés ou son propre cordon.** Le contact de l'accessoire de coupe avec un fil sous tension peut transmettre du courant dans les pièces métalliques exposées de l'outil et électrocuter l'opérateur.
3. **Assurez-vous toujours de travailler en position stable.** Veillez à ce que personne ne se trouve en dessous de vous quand vous utilisez l'outil en hauteur.

4. **Tenez l'outil fermement.**
5. **Gardez les mains éloignées des pièces en rotation.**
6. **Ne vous éloignez pas en laissant l'outil tourner.** Ne le faites fonctionner que lorsque vous l'avez bien en main.
7. **Ne touchez pas le foret ou la pièce immédiatement après l'exécution du travail ; ils peuvent être extrêmement chauds et vous brûler la peau.**
8. **Certains matériaux contiennent des produits chimiques qui peuvent être toxiques.** Prenez garde de ne pas avaler la poussière et évitez tout contact avec la peau. Suivez les données de sécurité du fournisseur du matériau.
9. **Si le foret ne peut pas être desserré même en ouvrant la mâchoire, utilisez des pinces pour l'extirper.** Le bord tranchant du foret risque de vous blesser si vous essayez de l'extirper manuellement.

#### Consignes de sécurité en cas d'utilisation de forets longs

1. **Ne faites jamais fonctionner l'outil à une vitesse supérieure à la vitesse nominale maximale du foret.** À une vitesse plus élevée, le foret risque de se tordre s'il lui est permis de tourner librement sans toucher la pièce, ce qui présente un risque de blessure.
2. **Commencez toujours le perçage à basse vitesse avec la pointe du foret en contact avec la pièce.** À une vitesse plus élevée, le foret risque de se tordre s'il lui est permis de tourner librement sans toucher la pièce, ce qui présente un risque de blessure.
3. **Appliquez une pression uniquement en ligne directe avec le foret et n'exercez pas une pression excessive.** Les forets peuvent se tordre et se casser ou provoquer la perte de contrôle, ce qui présente un risque de blessure.

## CONSERVEZ CES INSTRUCTIONS.

**⚠️ AVERTISSEMENT** : NE vous laissez PAS tromper (au fil d'une utilisation répétée) par un sentiment d'aisance et de familiarité avec le produit, en négligeant le respect rigoureux des consignes de sécurité qui accompagnent le produit en question. La MAUVAISE UTILISATION de l'outil ou l'ignorance des consignes de sécurité indiquées dans ce mode d'emploi peut entraîner de graves blessures.

## DESCRIPTION DU FONCTIONNEMENT

**⚠ ATTENTION :** Assurez-vous toujours que l'outil est hors tension et débranché avant de l'ajuster ou de vérifier son fonctionnement.

### Fonctionnement de la gâchette

**⚠ ATTENTION :** Avant de brancher l'outil, assurez-vous toujours que la gâchette fonctionne correctement et revient en position d'arrêt une fois relâchée.

- **Fig.1:** 1. Bouton de verrouillage 2. Vis de commande de vitesse 3. Gâchette 4. Supérieure 5. Inférieure

Il suffit d'enclencher la gâchette pour démarrer l'outil. La vitesse de l'outil augmente à mesure que vous augmentez la pression sur la gâchette. Pour l'arrêter, relâchez la gâchette.

Pour un fonctionnement continu, enclenchez la gâchette et poussez le bouton de verrouillage. Pour arrêter l'outil sur la position verrouillée, enclenchez à fond la gâchette puis relâchez-la. Une vis de commande de vitesse est fournie de sorte que la vitesse maximale de l'outil puisse être limitée (variable). Tournez la vis de commande de vitesse dans le sens des aiguilles d'une montre pour une vitesse supérieure et dans le sens contraire pour une vitesse inférieure.

### Fonctionnement de l'inverseur

**⚠ ATTENTION :** Vérifiez toujours le sens de rotation avant d'utiliser l'outil.

**⚠ ATTENTION :** N'utilisez l'inverseur qu'une fois que l'outil est complètement arrêté. Si vous changez le sens de rotation avant l'arrêt de l'outil, vous risquez de l'endommager.

- **Fig.2:** 1. Levier de l'inverseur

Cet outil possède un inverseur qui permet de changer le sens de la rotation. Déplacez le levier de l'inverseur jusqu'à la position ↶ (côté A) pour une rotation dans le sens des aiguilles d'une montre, ou jusqu'à la position ↷ (côté B) pour une rotation dans le sens contraire des aiguilles d'une montre.

### Changement de vitesse

- **Fig.3:** 1. Flèche 2. Bouton de changement de vitesse

Deux plages de vitesse peuvent être présélectionnées avec le bouton de changement de vitesse. Pour changer la vitesse, tournez le bouton de changement de vitesse de sorte que la flèche présente sur le corps de l'outil pointe vers la position « I » sur le bouton pour une vitesse lente ou la position « II » pour une vitesse élevée. S'il est difficile de tourner le bouton, commencez par tourner légèrement le mandrin dans n'importe quelle direction puis tournez à nouveau le bouton.

**⚠ ATTENTION :** N'utilisez le bouton de changement de vitesse qu'une fois l'outil complètement arrêté. Si vous changez la vitesse de l'outil avant l'arrêt de l'outil, vous risquez de l'endommager.

**⚠ ATTENTION :** Mettez toujours le bouton de changement de vitesse sur la bonne position. En utilisant l'outil avec le bouton de changement de vitesse placé à mi-chemin entre la position « I » et la position « II », vous risquez d'endommager l'outil.

## ASSEMBLAGE

**⚠ ATTENTION :** Avant d'effectuer toute intervention sur l'outil, assurez-vous toujours qu'il est hors tension et débranché.

### Pose de la poignée latérale (poignée auxiliaire)

- **Fig.4:** 1. Base de la poignée 2. Poignée latérale (poignée auxiliaire) 3. Dents 4. Partie saillante

Utilisez toujours la poignée latérale pour assurer votre sécurité. Installez la poignée latérale de sorte que les dents de la poignée pénètrent dans les parties saillantes du barillet de l'outil. Serrez ensuite la poignée en la tournant dans le sens des aiguilles d'une montre jusqu'à la position désirée.

**NOTE :** La jauge de profondeur ne peut pas être utilisée sur une position où elle frappe contre le corps de l'outil.

### Pose ou retrait du foret

**⚠ ATTENTION :** Avant de poser ou de retirer le foret, assurez-vous toujours que l'outil est hors tension et débranché.

### Pour le modèle DP4010

- **Fig.5:** 1. Clé de mandrin

Pour installer le foret, insérez-le à fond dans le mandrin à foret. Serrez manuellement le mandrin. Placez la clé de mandrin dans chacun des trois orifices et serrez dans le sens des aiguilles d'une montre. Assurez-vous de serrer les trois orifices du mandrin de manière uniforme.

Pour retirer le foret, tournez la clé du mandrin à foret dans le sens inverse des aiguilles d'une montre dans un seul orifice, puis deserrez le mandrin manuellement.

Après avoir utilisé la clé de mandrin, veillez à la remettre à sa position initiale.

## Pour le modèle DP4011

► Fig.6: 1. Manchon 2. Bague

Tenez la bague et tournez le manchon dans le sens inverse des aiguilles d'une montre pour ouvrir les mâchoires du mandrin. Insérez le foret à fond dans le mandrin à foret. Tenez fermement la bague et tournez le manchon dans le sens des aiguilles d'une montre pour serrer le mandrin.

Pour retirer le foret, tenez la bague et tournez le manchon dans le sens inverse des aiguilles d'une montre.

### Jauge de profondeur

#### Accessoire en option

La jauge de profondeur est utile pour percer des trous de même profondeur. Desserrez la poignée latérale et insérez la jauge de profondeur dans l'orifice sur la poignée latérale. Réglez la jauge de profondeur sur la profondeur désirée et serrez fermement la poignée latérale.

► Fig.7: 1. Jauge de profondeur

**NOTE :** La jauge de profondeur ne peut pas être utilisée sur une position où elle frappe contre le corps de l'outil.

## UTILISATION

### Prise en main de l'outil

► Fig.8

Utilisez toujours la poignée latérale (poignée auxiliaire) et saisissez l'outil fermement par la poignée latérale et la poignée pistolet pendant l'utilisation.

### Perçage

#### Perçage dans le bois

Lorsque vous percez dans le bois, vous obtiendrez un résultat optimal avec un foret à bois équipé d'une vis de guidage. La vis de guidage facilite le perçage en entraînant le foret dans la pièce.

#### Perçage dans le métal

Pour que le foret ne glisse pas quand vous commencez à percer le trou, faites une entaille à l'aide d'un pointeau et d'un marteau à l'emplacement prévu pour le trou. Placez la pointe du foret dans l'entaille et commencez à percer.

Utilisez un lubrifiant de coupe pour percer les métaux. Seuls le fer et le laiton doivent être percés à sec.

**ATTENTION :** Une pression excessive sur l'outil n'accéléra pas le perçage. En fait, la pression excessive abîmera la pointe du foret, provoquera une baisse de rendement de l'outil et réduira sa durée de service.

**ATTENTION :** Tenez l'outil fermement et redoublez d'attention lorsque le foret commence à sortir par la face opposée de la pièce. Une très grande force s'exerce sur l'outil/foret lorsque celui-ci émerge sur la face opposée.

**ATTENTION :** Un foret coincé peut être retiré en réglant simplement l'inverseur sur la rotation inverse pour faire marche arrière. L'outil peut toutefois faire brusquement marche arrière si vous ne le tenez pas fermement.

**ATTENTION :** Immobilisez toujours les pièces à travailler dans un étau ou un dispositif de retenue similaire.

**ATTENTION :** Évitez de percer dans des matériaux que vous soupçonnez contenir des clous cachés ou d'autres choses susceptibles de coincer ou casser le foret.

## ENTRETIEN

**ATTENTION :** Assurez-vous toujours que l'outil est hors tension et débranché avant d'y effectuer tout travail d'inspection ou d'entretien.

**REMARQUE :** N'utilisez jamais d'essence, benzine, diluant, alcool ou autre produit similaire. Cela risquerait de provoquer la décoloration, la déformation ou la fissuration de l'outil.

### Nettoyage des orifices d'aération

► Fig.9: 1. Orifices d'aération

L'outil et ses orifices d'aération doivent rester propres. Nettoyez régulièrement les orifices d'aération de l'outil ou dès qu'ils sont obstrués.

Pour maintenir la SÉCURITÉ et la FIABILITÉ du produit, les réparations, l'inspection et le remplacement des balais en carbone, ainsi que tout autre travail d'entretien ou de réglage doivent être effectués par un centre d'entretien Makita agréé, avec des pièces de rechange Makita.

# ACCESSOIRES EN OPTION

**⚠ ATTENTION** : Ces accessoires ou pièces complémentaires sont recommandés pour l'utilisation avec l'outil Makita spécifié dans ce mode d'emploi. L'utilisation de tout autre accessoire ou pièce complémentaire peut comporter un risque de blessure. N'utilisez les accessoires ou pièces complémentaires qu'aux fins auxquelles ils ont été conçus.

Pour obtenir plus de détails sur ces accessoires, contactez votre centre d'entretien local Makita.

- Forets
- Scies cloches
- Mandrin à foret sans clé
- Clé de mandrin
- Ensemble de la poignée
- Jauge de profondeur
- Étui de transport en plastique

**NOTE** : Il se peut que certains éléments de la liste soient compris dans l'emballage de l'outil en tant qu'accessoires standard. Ils peuvent varier d'un pays à l'autre.

## TECHNISCHE DATEN

|                   |       |                             |                             |
|-------------------|-------|-----------------------------|-----------------------------|
| <b>Modell:</b>    |       | <b>DP4010 / DP4011</b>      |                             |
| Drehzahl          |       | Hoch                        | Niedrig                     |
| Bohrkapazitäten   | Stahl | 8 mm                        | 13 mm                       |
|                   | Holz  | 25 mm                       | 40 mm                       |
| Leerlaufdrehzahl  |       | 0 - 2.900 min <sup>-1</sup> | 0 - 1.200 min <sup>-1</sup> |
| Gesamtlänge       |       | 347 mm                      |                             |
| Nettogewicht      |       | 2,3 kg                      |                             |
| Sicherheitsklasse |       | □/II                        |                             |

- Wir behalten uns vor, Änderungen der technischen Daten im Zuge der Entwicklung und des technischen Fortschritts ohne vorherige Ankündigung vorzunehmen.
- Die technischen Daten können von Land zu Land unterschiedlich sein.
- Gewicht nach EPTA-Verfahren 01/2014

### Vorgesehene Verwendung

Das Werkzeug ist für Bohren in Holz, Metall und Kunststoff vorgesehen.

### Stromversorgung

Das Werkzeug sollte nur an eine Stromquelle angeschlossen werden, deren Spannung mit der Angabe auf dem Typenschild übereinstimmt, und kann nur mit Einphasen-Wechselstrom betrieben werden. Diese sind doppelt schutzisoliert und können daher auch an Steckdosen ohne Erdleiter verwendet werden.

### Geräusch

Typischer A-bewerteter Geräuschpegel ermittelt gemäß EN62841-2-1:

Schalldruckpegel (L<sub>pA</sub>): 83 dB (A)

Schalleistungspegel (L<sub>WA</sub>): 91 dB (A)

Messunsicherheit (K): 3 dB (A)

**HINWEIS:** Der (Die) angegebene(n)

Schallemissionswert(e) wurde(n) im Einklang mit der Standardprüfmethode gemessen und kann (können) für den Vergleich zwischen Werkzeugen herangezogen werden.

**HINWEIS:** Der (Die) angegebene(n)

Schallemissionswert(e) kann (können) auch für eine Vorbewertung des Gefährdungsgrads verwendet werden.

**⚠️ WARNUNG:** Einen Gehörschutz tragen.

**⚠️ WARNUNG:** Die Schallemission während der tatsächlichen Benutzung des Elektrowerkzeugs kann je nach der Benutzungsweise des Werkzeugs, und speziell je nach der Art des bearbeiteten Werkstücks, von dem (den) angegebenen Wert(en) abweichen.

**⚠️ WARNUNG:** Identifizieren Sie Sicherheitsmaßnahmen zum Schutz des Benutzers anhand einer Schätzung des Gefährdungsgrads unter den tatsächlichen Benutzungsbedingungen (unter Berücksichtigung aller Phasen des Arbeitszyklus, wie z. B. Ausschalt- und Leerlaufzeiten des Werkzeugs zusätzlich zur Betriebszeit).

### Schwingungen

Schwingungsgesamtwert (Drei-Achsen-Vektorsumme) ermittelt gemäß EN62841-2-1:

Arbeitsmodus: Bohren in Metall

Schwingungsemission (a<sub>h,D</sub>): 2,5 m/s<sup>2</sup> oder weniger

Messunsicherheit (K): 1,5 m/s<sup>2</sup>

**HINWEIS:** Der (Die) angegebene(n)

Vibrationsgesamtwert(e) wurde(n) im Einklang mit der Standardprüfmethode gemessen und kann (können) für den Vergleich zwischen Werkzeugen herangezogen werden.

**HINWEIS:** Der (Die) angegebene(n)

Vibrationsgesamtwert(e) kann (können) auch für eine Vorbewertung des Gefährdungsgrads verwendet werden.

**⚠️ WARNUNG:** Die Vibrationsemission während der tatsächlichen Benutzung des Elektrowerkzeugs kann je nach der Benutzungsweise des Werkzeugs, und speziell je nach der Art des bearbeiteten Werkstücks, von dem (den) angegebenen Emissionswert(en) abweichen.

**⚠️ WARNUNG:** Identifizieren Sie Sicherheitsmaßnahmen zum Schutz des Benutzers anhand einer Schätzung des Gefährdungsgrads unter den tatsächlichen Benutzungsbedingungen (unter Berücksichtigung aller Phasen des Arbeitszyklus, wie z. B. Ausschalt- und Leerlaufzeiten des Werkzeugs zusätzlich zur Betriebszeit).

## Konformitätserklärungen

### Nur für europäische Länder

Die Konformitätserklärungen sind in Anhang A dieser Betriebsanleitung enthalten.

## SICHERHEITSWARNUNGEN

### Allgemeine Sicherheitswarnungen für Elektrowerkzeuge

**⚠️ WARNUNG:** Lesen Sie alle mit diesem Elektrowerkzeug gelieferten Sicherheitswarnungen, Anweisungen, Abbildungen und technischen Daten durch. Eine Missachtung der unten aufgeführten Anweisungen kann zu einem elektrischen Schlag, Brand und/oder schweren Verletzungen führen.

## Bewahren Sie alle Warnungen und Anweisungen für spätere Bezugnahme auf.

Der Ausdruck „Elektrowerkzeug“ in den Warnhinweisen bezieht sich auf Ihr mit Netzstrom (mit Kabel) oder Akku (ohne Kabel) betriebenes Elektrowerkzeug.

### Sicherheitswarnungen für Bohrmaschine

#### Sicherheitsanweisungen für alle Betriebsvorgänge

1. **Verwenden Sie den (die) Zusatzgriff(e).** Verlust der Kontrolle kann Personenschäden verursachen.
2. **Halten Sie das Elektrowerkzeug an den isolierten Griffflächen, wenn Sie Arbeiten ausführen, bei denen die Gefahr besteht, dass das Schneidzubehör verborgene Kabel oder das eigene Kabel kontaktiert.** Bei Kontakt mit einem Strom führenden Kabel können die freiliegenden Metallteile des Elektrowerkzeugs ebenfalls Strom führend werden, so dass der Benutzer einen elektrischen Schlag erleiden kann.

3. **Achten Sie stets auf sicheren Stand.** Vergewissern Sie sich bei Einsatz des Werkzeugs an hochgelegenen Arbeitsplätzen, dass sich keine Personen darunter aufhalten.
4. **Halten Sie das Werkzeug mit festem Griff.**
5. **Halten Sie Ihre Hände von rotierenden Teilen fern.**
6. **Lassen Sie das Werkzeug nicht unbeaufsichtigt laufen.** Benutzen Sie das Werkzeug nur mit Handhaltung.
7. **Vermeiden Sie eine Berührung des Bohrereinsatzes oder des Werkstücks unmittelbar nach der Bearbeitung, weil die Teile noch sehr heiß sind und Hautverbrennungen verursachen können.**
8. **Manche Materialien können giftige Chemikalien enthalten.** Treffen Sie Vorsichtsmaßnahmen, um das Einatmen von Arbeitsstaub und Hautkontakt zu verhindern. Befolgen Sie die Sicherheitsdaten des Materiallieferanten.
9. **Falls der Bohrereinsatz selbst durch Öffnen der Futterbacken nicht gelöst werden kann, ziehen Sie ihn mit einer Zange heraus.** In einem solchen Fall kann Herausziehen des Bohrereinsatzes von Hand zu einer Verletzung durch seine scharfe Kante führen.

#### Sicherheitsanweisungen bei Verwendung von langen Bohrereinsätzen

1. **Arbeiten Sie niemals mit einer höheren Drehzahl als der Maximaldrehzahl des Bohrereinsatzes.** Bei höheren Drehzahlen besteht die Gefahr, dass sich der Einsatz verbiegt, wenn zugelassen wird, dass er ohne Kontakt mit dem Werkstück frei rotiert, was zu Personenschäden führen kann.
2. **Starten Sie den Bohrvorgang immer mit einer niedrigen Drehzahl und bei Kontakt der Einsatzspitze mit dem Werkstück.** Bei höheren Drehzahlen besteht die Gefahr, dass sich der Einsatz verbiegt, wenn zugelassen wird, dass er ohne Kontakt mit dem Werkstück frei rotiert, was zu Personenschäden führen kann.
3. **Üben Sie Druck nur in direkter Linie mit dem Einsatz aus, und wenden Sie keinen übermäßigen Druck an.** Einsätze können sich verbiegen, was Bruch oder Verlust der Kontrolle verursachen und zu Personenschäden führen kann.

## BEWAHREN SIE DIESE ANLEITUNG AUF.

**⚠️ WARNUNG:** Lassen Sie sich NICHT durch Bequemlichkeit oder Vertrautheit mit dem Produkt (durch wiederholten Gebrauch erworben) von der strikten Einhaltung der Sicherheitsregeln für das vorliegende Produkt abhalten. **MISSBRAUCH** oder Missachtung der Sicherheitsvorschriften in dieser Anleitung können schwere Personenschäden verursachen.

## FUNKTIONSBESCHREIBUNG

**⚠ VORSICHT:** Vergewissern Sie sich vor jeder Einstellung oder Funktionsprüfung des Werkzeugs stets, dass es ausgeschaltet und vom Stromnetz getrennt ist.

### Schalterfunktion

**⚠ VORSICHT:** Vergewissern Sie sich vor dem Anschließen des Werkzeugs an das Stromnetz stets, dass der Ein-Aus-Schalter ordnungsgemäß funktioniert und beim Loslassen in die AUS-Stellung zurückkehrt.

► **Abb.1:** 1. Sperrknopf 2. Drehzahl-Stellrad 3. Ein-Aus-Schalter 4. Höher 5. Niedriger

Zum Einschalten des Werkzeugs betätigen Sie einfach den Ein-Aus-Schalter. Die Hubzahl erhöht sich durch verstärkte Druckausübung auf den Ein-Aus-Schalter. Zum Anhalten lassen Sie den Ein-Aus-Schalter los. Für Dauerbetrieb betätigen Sie den Auslöseschalter, und drücken Sie dann den Sperrknopf hinein. Zum Ausrasten der Sperre drücken Sie den Auslöseschalter bis zum Anschlag hinein, und lassen Sie ihn dann los.

Das Werkzeug ist mit einem Drehzahl-Stellrad zur Begrenzung der maximalen Werkzeugdrehzahl (variabel) ausgestattet. Drehen Sie das Drehzahl-Stellrad zum Erhöhen der Drehzahl nach rechts und zum Verringern der Drehzahl nach links.

### Funktion des Drehrichtungsumschalters

**⚠ VORSICHT:** Prüfen Sie stets die Drehrichtung, bevor Sie mit der Arbeit beginnen.

**⚠ VORSICHT:** Betätigen Sie den Drehrichtungsumschalter erst, nachdem das Werkzeug völlig zum Stillstand gekommen ist. Durch Umschalten der Drehrichtung bei noch laufendem Werkzeug kann das Werkzeug beschädigt werden.

► **Abb.2:** 1. Drehrichtungsumschalthebel

Diese Maschine besitzt einen Drehrichtungsumschalter. Stellen Sie den Drehrichtungsumschalter für Rechtsdrehung auf die Stellung ↶ (Seite A) bzw. für Linksdrehung auf die Stellung ↷ (Seite B).

### Drehzahl-Umschaltung

► **Abb.3:** 1. Pfeil 2. Drehzahl-Umschaltknopf

Zwei Drehzahlbereiche können mit dem Drehzahl-Umschaltknopf vorgewählt werden. Drehen Sie den Drehzahl-Umschaltknopf so, dass der Pfeil auf dem Werkzeuggehäuse für niedrige Drehzahl auf die Position „I“, und für hohe Drehzahl auf die Position „II“ zeigt. Falls sich der Knopf nur schwer drehen lässt, drehen Sie das Bohrfutter erst in beide Richtungen, bevor Sie den Knopf erneut drehen.

**⚠ VORSICHT:** Betätigen Sie den Drehzahl-Umschaltknopf erst, nachdem das Werkzeug zu einem vollständigen Stillstand gekommen ist. Durch Umschalten der Drehzahl bei noch laufendem Werkzeug kann das Werkzeug beschädigt werden.

**⚠ VORSICHT:** Rasten Sie den Drehzahl-Umschaltknopf stets korrekt in die jeweilige Position ein. Wird das Werkzeug bei einer Zwischenstellung des Drehzahl-Umschaltknopfes zwischen den Positionen „I“ und „II“ betrieben, kann es beschädigt werden.

## MONTAGE

**⚠ VORSICHT:** Vergewissern Sie sich vor der Ausführung von Arbeiten am Werkzeug stets, dass es ausgeschaltet und vom Stromnetz getrennt ist.

### Montieren des Seitengriffs (Zusatzgriffs)

► **Abb.4:** 1. Griffbasis 2. Seitengriff (Zusatzgriff) 3. Zähne 4. Vorsprung

Verwenden Sie stets den Seitengriff, um Betriebssicherheit zu gewährleisten. Montieren Sie den Seitengriff so, dass die Verzahnungen von Griff und Werkzeuggehäuse ineinander eingreifen. Ziehen Sie dann den Griff fest, indem Sie ihn an der gewünschten Position im Uhrzeigersinn drehen.

**HINWEIS:** Der Tiefenanschlag kann nicht in einer Position verwendet werden, in der er gegen das Werkzeuggehäuse stößt.

### Montage und Demontage des Bohrereinsatzes

**⚠ VORSICHT:** Vergewissern Sie sich vor der Montage oder Demontage des Bohrereinsatzes stets, dass das Werkzeug ausgeschaltet und vom Stromnetz getrennt ist.

### Für Modell DP4010

► **Abb.5:** 1. Futterschlüssel

Den Bohrereinsatz zum Montieren bis zum Anschlag in das Bohrfutter einführen. Das Futter von Hand anziehen. Den Futterschlüssel in jedes der drei Löcher einsetzen und im Uhrzeigersinn drehen. Das Futter in allen drei Löchern mit gleicher Kraft anziehen.

Den Bohrfutterschlüssel zum Demontieren des Bohrereinsatzes nur in ein Loch einführen und entgegen dem Uhrzeigersinn drehen, bevor das Futter von Hand gelöst wird.

Bringen Sie den Futterschlüssel nach Gebrauch wieder an seinem ursprünglichen Platz an.

## Für Modell DP4011

### ► Abb.6: 1. Werkzeugaufnahme 2. Ring

Halten Sie den Klemmring fest, und drehen Sie die Werkzeugaufnahme entgegen dem Uhrzeigersinn, um die Bohrfutterbacken zu öffnen. Führen Sie den Bohrereinsatz bis zum Anschlag in das Bohrfutter ein. Halten Sie den Klemmring fest, und drehen Sie die Werkzeugaufnahme im Uhrzeigersinn, um das Bohrfutter festzuziehen. Zum Entfernen des Bohrereinsatzes halten Sie den Klemmring und drehen die Werkzeugaufnahme entgegen dem Uhrzeigersinn.

## Tiefenanschlag

### Sonderzubehör

Der Tiefenanschlag ist praktisch, um Löcher von gleicher Tiefe zu bohren. Lösen Sie den Seitengriff, und führen Sie den Tiefenanschlag in das Loch im Seitengriff ein. Den Tiefenanschlag auf die gewünschte Bohrtiefe einstellen, und den Seitengriff fest anziehen.

### ► Abb.7: 1. Tiefenanschlag

**HINWEIS:** Der Tiefenanschlag kann nicht in einer Position verwendet werden, in der er gegen das Werkzeuggehäuse stößt.

## BETRIEB

### Halten des Werkzeugs

#### ► Abb.8

Montieren Sie stets den Seitengriff (Zusatzgriff), und halten Sie das Werkzeug während der Arbeit mit beiden Händen an Seitengriff und Schaltergriff fest.

### Bohrbetrieb

## Bohren in Holz

Beim Bohren in Holz lassen sich die besten Ergebnisse mit Holzbohrern erzielen, die mit einer Zentrierspitze ausgestattet sind. Die Zentrierspitze erleichtert das Bohren, da sie den Bohrereinsatz in das Werkstück hineinzieht.

## Bohren in Metall

Um Abrutschen des Bohrereinsatzes beim Anbohren zu vermeiden, empfiehlt es sich, die Bohrstelle mit einem Zentriertkörnchen anzukörnen. Setzen Sie dann die Spitze des Bohrereinsatzes in die Vertiefung, und beginnen Sie mit dem Bohren.

Verwenden Sie Schneidflüssigkeit beim Bohren von Metall. Eisen und Messing sollten jedoch trocken gebohrt werden.

**▲VORSICHT:** Übermäßige Druckausübung auf das Werkzeug bewirkt keine Beschleunigung der Bohrleistung. Im Gegenteil; übermäßiger Druck führt zu einer Beschädigung der Spitze des Bohrereinsatzes und damit zu einer Verringerung der Leistungsfähigkeit sowie zu einer Verkürzung der Lebensdauer des Werkzeugs.

**▲VORSICHT:** Halten Sie daher das Werkzeug mit festem Griff und lassen Sie Vorsicht walten, wenn der Bohrereinsatz im Begriff ist, aus dem Werkstück auszutreten. Beim Bohrungsdurchbruch wirkt ein hohes Rückdrehmoment auf Werkzeug und Bohrereinsatz.

**▲VORSICHT:** Ein festsitzender Bohrereinsatz lässt sich durch einfaches Umschalten der Drehrichtung wieder herausdrehen. Dabei sollten Sie aber das Werkzeug gut festhalten, damit es nicht ruckartig herausgestoßen wird.

**▲VORSICHT:** Spannen Sie Werkstücke stets in einen Schraubstock oder eine ähnliche Aufspannvorrichtung ein.

**▲VORSICHT:** Vermeiden Sie das Anbohren von Material, bei dem Sie den Verdacht haben, dass verborgene Nägel oder andere Gegenstände vorhanden sind, die Klemmen oder Abbrechen des Bohrereinsatzes verursachen können.

## WARTUNG

**▲VORSICHT:** Vergewissern Sie sich vor der Durchführung von Überprüfungen oder Wartungsarbeiten des Werkzeugs stets, dass es ausgeschaltet und vom Stromnetz getrennt ist.

**ANMERKUNG:** Verwenden Sie auf keinen Fall Benzin, Waschbenzin, Verdünnern, Alkohol oder dergleichen. Solche Mittel können Verfärbung, Verformung oder Rissbildung verursachen.

## Reinigen der Ventilationsöffnungen

### ► Abb.9: 1. Ventilationsöffnungen

Halten Sie das Werkzeug und seine Ventilationsöffnungen stets sauber. Reinigen Sie die Ventilationsöffnungen des Werkzeugs regelmäßig oder im Anfangsstadium einer Verstopfung.

Um die SICHERHEIT und ZUVERLÄSSIGKEIT dieses Produkts aufrechtzuerhalten, sollten Reparaturen, Überprüfung und Austausch der Kohlebürsten und andere Wartungs- oder Einstellarbeiten nur von Makita-Vertragswerkstätten oder Makita-Kundendienstzentren unter ausschließlicher Verwendung von Makita-Originalersatzteilen ausgeführt werden.

# SONDERZUBEHÖR

**⚠ VORSICHT:** Die folgenden Zubehörteile oder Vorrichtungen werden für den Einsatz mit dem in dieser Anleitung beschriebenen Makita-Werkzeug empfohlen. Die Verwendung anderer Zubehörteile oder Vorrichtungen kann eine Verletzungsgefahr darstellen. Verwenden Sie Zubehörteile oder Vorrichtungen nur für ihren vorgesehenen Zweck.

Wenn Sie weitere Einzelheiten bezüglich dieser Zubehörteile benötigen, wenden Sie sich bitte an Ihre Makita-Kundendienststelle.

- Bohrereinsätze
- Lochsägen
- Schlüsselloses Bohrfutter
- Futterschlüssel
- Griffeinheit
- Tiefenanschlag
- Plastikkoffer

**HINWEIS:** Manche Teile in der Liste können als Standardzubehör im Werkzeugsatz enthalten sein. Sie können von Land zu Land unterschiedlich sein.

## DATI TECNICI

| Modello:             |         | DP4010 / DP4011             |                             |
|----------------------|---------|-----------------------------|-----------------------------|
| Velocità             |         | Alta                        | Bassa                       |
| Capacità di foratura | Acciaio | 8 mm                        | 13 mm                       |
|                      | Legno   | 25 mm                       | 40 mm                       |
| Velocità a vuoto     |         | 0 - 2.900 min <sup>-1</sup> | 0 - 1.200 min <sup>-1</sup> |
| Lunghezza totale     |         | 347 mm                      |                             |
| Peso netto           |         | 2,3 kg                      |                             |
| Classe di sicurezza  |         | □/II                        |                             |

- In conseguenza del nostro programma di ricerca e sviluppo continui, i dati tecnici nel presente manuale sono soggetti a modifiche senza preavviso.
- I dati tecnici possono variare da nazione a nazione.
- Peso in base alla procedura EPTA 01/2014

### Utilizzo previsto

Questo utensile è progettato per la foratura di legno, metallo e plastica.

### Alimentazione

L'utensile deve essere collegato a una fonte di alimentazione con la stessa tensione indicata sulla targhetta del nome, e può funzionare solo a corrente alternata monofase. L'utensile è dotato di doppio isolamento, per cui può essere utilizzato con prese elettriche sprovviste di messa a terra.

### Rumore

Livello tipico di rumore pesato A determinato in base allo standard EN62841-2-1:

Livello di pressione sonora ( $L_{pA}$ ): 83 dB (A)

Livello di potenza sonora ( $L_{wA}$ ): 91 dB (A)

Incertezza (K): 3 dB (A)

**NOTA:** Il valore o i valori dichiarati delle emissioni di rumori sono stati misurati in conformità a un metodo standard di verifica, e possono essere utilizzati per confrontare un utensile con un altro.

**NOTA:** Il valore o i valori dichiarati delle emissioni di rumori possono venire utilizzati anche per una valutazione preliminare dell'esposizione.

**⚠AVVERTIMENTO:** Indossare protezioni per le orecchie.

**⚠AVVERTIMENTO:** L'emissione di rumori durante l'utilizzo effettivo dell'utensile elettrico può variare rispetto al valore o ai valori dichiarati, a seconda dei modi in cui viene utilizzato l'utensile e specialmente a seconda di che tipo di pezzo venga lavorato.

**⚠AVVERTIMENTO:** Accertarsi di identificare misure di sicurezza per la protezione dell'operatore che siano basate su una stima dell'esposizione nelle condizioni effettive di utilizzo (tenendo conto di tutte le parti del ciclo operativo, ad esempio del numero di spegnimenti dell'utensile e di quando giri a vuoto, oltre al tempo di attivazione).

### Vibrazioni

Valore totale delle vibrazioni (somma vettoriale triassiale) determinato in base allo standard EN62841-2-1:

Modalità di lavoro: foratura del metallo

Emissione di vibrazioni ( $a_{h,D}$ ): 2,5 m/s<sup>2</sup> o inferiore

Incertezza (K): 1,5 m/s<sup>2</sup>

**NOTA:** Il valore o i valori complessivi delle vibrazioni dichiarati sono stati misurati in conformità a un metodo standard di verifica, e possono essere utilizzati per confrontare un utensile con un altro.

**NOTA:** Il valore o i valori complessivi delle vibrazioni dichiarati possono venire utilizzati anche per una valutazione preliminare dell'esposizione.

**⚠AVVERTIMENTO:** L'emissione delle vibrazioni durante l'utilizzo effettivo dell'utensile elettrico può variare rispetto al valore o ai valori dichiarati, a seconda dei modi in cui viene utilizzato l'utensile, specialmente a seconda di che tipo di pezzo venga lavorato.

**⚠AVVERTIMENTO:** Accertarsi di identificare misure di sicurezza per la protezione dell'operatore che siano basate su una stima dell'esposizione nelle condizioni effettive di utilizzo (tenendo conto di tutte le parti del ciclo operativo, ad esempio del numero di spegnimenti dell'utensile e di quando giri a vuoto, oltre al tempo di attivazione).

## Dichiarazioni di conformità

### *Solo per i paesi europei*

Le Dichiarazioni di conformità sono incluse nell'Allegato A al presente manuale d'uso.

## AVVERTENZE DI SICUREZZA

### Avvertenze generali relative alla sicurezza dell'utensile elettrico

**⚠AVVERTIMENTO:** Leggere tutte le avvertenze di sicurezza, le istruzioni, le illustrazioni e i dati tecnici forniti con il presente utensile elettrico. La mancata osservanza di tutte le istruzioni elencate di seguito potrebbe risultare in scosse elettriche, incendi e/o gravi lesioni personali.

## Conservare tutte le avvertenze e le istruzioni come riferimento futuro.

Il termine "utensile elettrico" nelle avvertenze si riferisce sia all'utensile elettrico (cablato) nel funzionamento alimentato da rete elettrica che all'utensile elettrico (a batteria) nel funzionamento alimentato a batteria.

### Avvertenze di sicurezza relative al trapano

Istruzioni di sicurezza relative a tutte le operazioni

1. **Utilizzare il manico o i manici ausiliari.** La perdita di controllo può causare lesioni personali.
2. **Mantenere l'utensile elettrico per le superfici di impugnatura isolate, quando si intende eseguire un'operazione in cui l'accessorio da taglio potrebbe entrare in contatto con fili elettrici nascosti o con il proprio cavo di alimentazione.** Un accessorio di taglio che entri in contatto con un filo elettrico sotto tensione potrebbe mettere sotto tensione le parti metalliche esposte dell'utensile elettrico e dare una scossa elettrica all'operatore.

3. **Accertarsi sempre di appoggiare i piedi saldamente.** Quando si intende utilizzare l'utensile in ubicazioni elevate, accertarsi sempre che non sia presente alcuna persona sotto.
4. **Tenere saldamente l'utensile.**
5. **Tenere le mani lontane dalle parti rotanti.**
6. **Non lasciare l'utensile mentre sta funzionando.** Far funzionare l'utensile solo mentre lo si tiene in mano.
7. **Non toccare la punta per trapano o il pezzo immediatamente dopo l'uso;** la loro temperatura potrebbe essere estremamente elevata e potrebbero causare ustioni.
8. **Alcuni materiali contengono sostanze chimiche che potrebbero essere tossiche.** Fare attenzione a evitare l'inalazione della polvere e il contatto con la pelle. Attenersi ai dati relativi alla sicurezza del fornitore del materiale.
9. **Qualora non sia possibile liberare la punta per trapano anche se si aprono le griffe, utilizzare delle pinze per estrarla.** In questa circostanza, qualora si estraiga la punta per trapano con la mano, si potrebbero causare lesioni personali dovute al suo bordo affilato.

Istruzioni di sicurezza quando si utilizzano punte per trapano lunghe

1. **Non far funzionare mai l'utensile a una velocità più elevata della velocità nominale massima della punta per trapano.** Alle velocità più elevate, è probabile che la punta si pieghi, qualora la si lasci ruotare liberamente senza entrare in contatto con il pezzo in lavorazione, il che potrebbe risultare in lesioni personali.
2. **Iniziare sempre a perforare a bassa velocità e con l'estremità della punta in contatto con il pezzo in lavorazione.** Alle velocità più elevate, è probabile che la punta si pieghi, qualora la si lasci ruotare liberamente senza entrare in contatto con il pezzo in lavorazione, il che potrebbe risultare in lesioni personali.
3. **Applicare pressione solo allineandosi senza inclinazioni con la punta, e non applicare pressione eccessiva.** Le punte possono piegarsi, causando rotture o perdita di controllo e risultando in lesioni personali.

## CONSERVARE LE PRESENTI ISTRUZIONI.

**⚠AVVERTIMENTO:** NON lasciare che comodità o la familiarità d'utilizzo con il prodotto (acquisita con l'uso ripetuto) sostituisca la stretta osservanza delle norme di sicurezza per il prodotto in questione. L'USO IMPROPRIO o la mancata osservanza delle norme di sicurezza indicate nel presente manuale di istruzioni potrebbero causare gravi lesioni personali.

## DESCRIZIONE DELLE FUNZIONI

**⚠ATTENZIONE:** Accertarsi sempre che l'utensile sia spento e scollegato dall'alimentazione prima di regolare o controllare le sue funzioni.

### Funzionamento dell'interruttore

**⚠ATTENZIONE:** Prima di collegare l'utensile all'alimentazione elettrica, controllare sempre che l'interruttore a grilletto funzioni correttamente e che torni sulla posizione "OFF" quando viene rilasciato.

► **Fig.1:** 1. Pulsante di blocco 2. Vite di controllo della velocità 3. Interruttore a grilletto 4. Più elevata 5. Più bassa

Per avviare l'utensile, è sufficiente premere l'interruttore a grilletto. La velocità dell'utensile aumenta di pari passo con l'incremento della pressione sull'interruttore a grilletto. Per arrestare l'utensile, rilasciare l'interruttore a grilletto.

Per il funzionamento continuo, premere l'interruttore a grilletto, quindi far rientrare il pulsante di blocco premendolo. Per arrestare l'utensile, premere l'interruttore a grilletto, quindi rilasciarlo. È fornita una vite di controllo della velocità, in modo da poter limitare la velocità massima dell'utensile (variabile). Ruotare la vite di controllo della velocità in senso orario per una velocità più elevata, e in senso antiorario per una velocità più bassa.

### Uso del commutatore di inversione della rotazione

**⚠ATTENZIONE:** Controllare sempre la direzione di rotazione prima dell'uso.

**⚠ATTENZIONE:** Utilizzare il commutatore di inversione della rotazione solo dopo l'arresto completo dell'utensile. Qualora si cambi la direzione di rotazione prima dell'arresto dell'utensile, si potrebbe danneggiare quest'ultimo.

► **Fig.2:** 1. Leva del commutatore di inversione della rotazione

L'utensile è dotato di un interruttore di inversione per il cambiamento della direzione di rotazione. Spostare la leva interruttore di inversione sulla posizione ← (lato A) per la rotazione in senso orario, oppure sulla posizione → (lato B) per la rotazione in senso antiorario.

### Modifica della velocità

► **Fig.3:** 1. Freccia 2. Manopola di modifica della velocità

È possibile preselezionare due gamme di velocità con la manopola di modifica della velocità. Per cambiare la velocità, ruotare la manopola di modifica della velocità in modo che la freccia sul corpo dell'utensile punti verso la posizione "I" sulla manopola per la bassa velocità o verso la posizione "II" per l'alta velocità.

Qualora risulti difficile ruotare la manopola, ruotare prima leggermente il mandrino in una qualsiasi direzione, quindi ruotare di nuovo la manopola.

**⚠ATTENZIONE:** Utilizzare la manopola di modifica della velocità solo dopo che l'utensile si è arrestato completamente. La modifica della velocità dell'utensile prima che quest'ultimo si arresti potrebbe danneggiare l'utensile.

**⚠ATTENZIONE:** Impostare sempre la manopola di modifica della velocità sulla posizione corretta. Qualora si utilizzi l'utensile con la manopola di modifica della velocità su una posizione intermedia tra le posizioni "I" e "II", l'utensile potrebbe venire danneggiato.

## MONTAGGIO

**⚠ATTENZIONE:** Accertarsi sempre che l'utensile sia spento e scollegato dall'alimentazione elettrica, prima di effettuare qualsiasi intervento su di esso.

### Installazione dell'impugnatura laterale (manico ausiliario)

► **Fig.4:** 1. Base impugnatura 2. Impugnatura laterale (manico ausiliario) 3. Denti 4. Sporgenza

Utilizzare sempre l'impugnatura laterale per garantire la sicurezza d'uso. Installare l'impugnatura laterale in modo che i denti sull'impugnatura si inseriscano tra le sporgenze sul barilotto dell'utensile. Quindi, serrare l'impugnatura ruotandola in senso orario nella posizione desiderata.

**NOTA:** Non è possibile utilizzare l'asta di profondità nella posizione in cui quest'ultima urta il corpo dell'utensile.

### Installazione o rimozione della punta per trapano

**⚠ATTENZIONE:** Accertarsi sempre che l'utensile sia spento e scollegato dall'alimentazione elettrica, prima di installare o rimuovere la punta per trapano.

### Per il modello DP4010

► **Fig.5:** 1. Chiave del mandrino

Per installare la punta per trapano, inserirla fino in fondo nel mandrino del trapano. Serrare saldamente il mandrino con la mano. Inserire la chiave del mandrino in ciascuno dei tre fori e serrare in senso orario. Assicurarsi di serrare tutti e tre i fori del mandrino in modo omogeneo.

Per rimuovere la punta per trapano, ruotare la chiave del mandrino del trapano in senso antiorario in un solo foro, quindi allentare il mandrino con la mano.

Dopo l'utilizzo della chiave del mandrino, accertarsi di rimetterla nella sua posizione originale.

## Per il modello DP4011

► Fig.6: 1. Manicotto 2. Anello

Tenere fermo l'anello e ruotare il manicotto in senso antiorario per aprire le griffe del mandrino. Installare la punta per trapano fino in fondo nel mandrino del trapano. Mantenere saldamente l'anello e ruotare il manicotto in senso orario per serrare mandrino.

Per rimuovere la punta per trapano, mantenere l'anello e ruotare il manicotto in senso antiorario.

### Calibro di profondità

#### Accessorio opzionale

Il calibro di profondità è comodo per praticare fori di profondità uniforme. Allentare l'impugnatura laterale, quindi inserire il calibro di profondità nel foro presente sull'impugnatura laterale. Regolare il calibro di profondità sulla profondità desiderata e serrare saldamente l'impugnatura laterale.

► Fig.7: 1. Calibro di profondità

**NOTA:** Non è possibile utilizzare l'asta di profondità nella posizione in cui quest'ultima urta il corpo dell'utensile.

## FUNZIONAMENTO

### Come mantenere l'utensile

► Fig.8

Utilizzare sempre l'impugnatura laterale (manico ausiliario) e mantenere saldamente l'utensile utilizzando l'impugnatura laterale e il manico con l'interruttore durante l'uso.

### Operazione di foratura

#### Foratura del legno

Per la foratura del legno si ottengono i risultati migliori con i trapani per legno dotati di una vite guida. La vite guida rende più facile la foratura tirando la punta per trapano nel pezzo.

#### Foratura del metallo

Per evitare lo scivolamento della punta all'inizio della foratura, utilizzare un punzone per centri e un martello per creare un'intaccatura nel punto da forare. Posizionare l'estremità della punta per trapano nell'intaccatura e iniziare la foratura.

Quando si intende forare metalli, utilizzare un lubrificante per taglio. Le eccezioni sono il ferro e l'ottone, che vanno forati a secco.

**ATTENZIONE:** Se si esercita una pressione eccessiva sull'utensile, non si accelera la foratura. In realtà, tale pressione eccessiva produce solo l'effetto di danneggiare l'estremità della punta per trapano e di ridurre le prestazioni e la vita utile dell'utensile.

**ATTENZIONE:** Tenere saldamente l'utensile e fare attenzione quando la punta per trapano inizia a fuoriuscire dal pezzo. Sull'utensile/punta per trapano viene esercitata una forza estrema al momento della fuoriuscita dal foro.

**ATTENZIONE:** Una punta per trapano incastrata può venire rimossa semplicemente impostando il commutatore di inversione della rotazione sulla rotazione invertita, in modo da far tornare indietro l'utensile. Tuttavia, l'utensile potrebbe tornare indietro bruscamente, qualora non venga impugnato saldamente.

**ATTENZIONE:** Fissare sempre i pezzi in lavorazione in una morsa o un dispositivo simile per tenerli fermi.

**ATTENZIONE:** Evitare di praticare fori in un materiale, qualora si sospetti che possa contenere chiodi o altri elementi che potrebbero causare l'inzeppamento o la rottura della punta per trapano.

## MANUTENZIONE

**ATTENZIONE:** Accertarsi sempre che l'utensile sia spento e scollegato dall'alimentazione elettrica, prima di tentare di eseguire interventi di ispezione o manutenzione.

**AVVISO:** Non utilizzare mai benzina, benzene, solventi, alcol o altre sostanze simili. In caso contrario, si potrebbero causare scolorimenti, deformazioni o crepe.

### Pulizia delle aperture di ventilazione

► Fig.9: 1. Aperture di ventilazione

L'utensile e le sue aperture di ventilazione devono essere mantenuti puliti. Pulire le aperture di ventilazione dell'utensile a intervalli regolari, oppure ogni volta che iniziano a ostruirsi.

Per preservare la SICUREZZA e l'AFFIDABILITÀ del prodotto, le riparazioni, l'ispezione e la sostituzione delle spazzole in carbonio e qualsiasi altro intervento di manutenzione o di regolazione devono essere eseguiti da un centro di assistenza autorizzato Makita, utilizzando sempre ricambi Makita.

## ACCESSORI OPZIONALI

**⚠ATTENZIONE:** Questi accessori o componenti aggiuntivi sono consigliati per l'uso con l'utensile Makita specificato nel presente manuale.

L'impiego di altri accessori o componenti aggiuntivi può costituire un rischio di lesioni alle persone.

Utilizzare gli accessori o i componenti aggiuntivi solo per il loro scopo prefissato.

Per ottenere ulteriori dettagli relativamente a questi accessori, rivolgersi a un centro di assistenza Makita.

- Punta per trapano
- Seghe a tazza
- Mandrino autoserrante per trapano
- Chiave del mandrino
- Gruppo impugnatura
- Calibro di profondità
- Custodia da trasporto in plastica

**NOTA:** Alcuni articoli nell'elenco potrebbero essere inclusi nell'imballaggio dell'utensile come accessori standard. Tali articoli potrebbero variare da nazione a nazione.

## TECHNISCHE GEGEVENS

| Model:            |       | DP4010 / DP4011             |                             |
|-------------------|-------|-----------------------------|-----------------------------|
| Toerental         |       | Hoog                        | Laag                        |
| Boorcapaciteiten  | Staal | 8 mm                        | 13 mm                       |
|                   | Hout  | 25 mm                       | 40 mm                       |
| Nullasttoerental  |       | 0 - 2.900 min <sup>-1</sup> | 0 - 1.200 min <sup>-1</sup> |
| Totale lengte     |       | 347 mm                      |                             |
| Nettogewicht      |       | 2,3 kg                      |                             |
| Veiligheidsklasse |       | □/II                        |                             |

- In verband met ononderbroken research en ontwikkeling behouden wij ons het recht voor bovenstaande technische gegevens te wijzigen zonder voorafgaande kennisgeving.
- De technische gegevens kunnen van land tot land verschillen.
- Gewicht volgens EPTA-procedure 01/2014

### Gebruiksdoeleinden

Dit gereedschap is bedoeld voor het boren in hout, metaal en kunststof.

### Voeding

Het gereedschap mag alleen worden aangesloten op een voeding van dezelfde spanning als aangegeven op het typeplaatje, en kan alleen worden gebruikt op enkelfase-wisselstroom. Het gereedschap is dubbel-geïsoleerd en kan derhalve ook op een niet-geaard stop-contact worden aangesloten.

### Geluidsniveau

De typische, A-gewogen geluidsniveaus zijn gemeten volgens EN62841-2-1:

Geluidsdrukniveau ( $L_{pA}$ ): 83 dB (A)

Geluidsvermogeniveau ( $L_{WA}$ ): 91 dB (A)

Onzekerheid (K): 3 dB (A)

**OPMERKING:** De opgegeven geluidsemisiewaarde(n) is/zijn gemeten volgens een standaardtestmethode en kan/kunnen worden gebruikt om dit gereedschap te vergelijken met andere gereedschappen.

**OPMERKING:** De opgegeven geluidsemisiewaarde(n) kan/kunnen ook worden gebruikt voor een beoordeling vooraf van de blootstelling.

**⚠WAARSCHUWING:** Draag gehoorbescherming.

**⚠WAARSCHUWING:** De geluidsemisatie tijdens het gebruik van het elektrisch gereedschap in de praktijk kan verschillen van de opgegeven waarde(n) afhankelijk van de manier waarop het gereedschap wordt gebruikt, met name van het soort werkstuk waarmee wordt gewerkt.

**⚠WAARSCHUWING:** Zorg ervoor dat veiligheidsmaatregelen worden getroffen ter bescherming van de gebruiker die zijn gebaseerd op een schatting van de blootstelling onder praktijkomstandigheden (rekening houdend met alle fasen van de bedrijfscyclus, zoals de tijdsduur gedurende welke het gereedschap is uitgeschakeld en stationair draait, naast de ingeschakelde tijdsduur).

### Trilling

De totale trillingswaarde (triaxiale vectorsom) zoals vastgesteld volgens EN62841-2-1:

Gebruikstoepassing: boren in metaal

Trillingsemisatie ( $a_{h,D}$ ): 2,5 m/s<sup>2</sup> of lager

Onzekerheid (K): 1,5 m/s<sup>2</sup>

**OPMERKING:** De totale trillingswaarde(n) is/zijn gemeten volgens een standaardtestmethode en kan/kunnen worden gebruikt om dit gereedschap te vergelijken met andere gereedschappen.

**OPMERKING:** De opgegeven totale trillingswaarde(n) kan/kunnen ook worden gebruikt voor een beoordeling vooraf van de blootstelling.

**⚠️ WAARSCHUWING:** De trillingsemisatie tijdens het gebruik van het elektrisch gereedschap in de praktijk kan verschillen van de opgegeven waarde(n) afhankelijk van de manier waarop het gereedschap wordt gebruikt, met name van het soort werkstuk waarmee wordt gewerkt.

**⚠️ WAARSCHUWING:** Zorg ervoor dat veiligheidsmaatregelen worden getroffen ter bescherming van de gebruiker die zijn gebaseerd op een schatting van de blootstelling onder praktijkomstandigheden (rekening houdend met alle fasen van de bedrijfscyclus, zoals de tijdsduur gedurende welke het gereedschap is uitgeschakeld en stationair draait, naast de ingeschakelde tijdsduur).

## Verklaringen van conformiteit

### Alleen voor Europese landen

De verklaringen van conformiteit zijn bijgevoegd in Bijlage A bij deze gebruiksaanwijzing.

## VEILIGHEIDSWAARSCHUWINGEN

### Algemene veiligheidswaarschuwingen voor elektrisch gereedschap

**⚠️ WAARSCHUWING:** Lees alle veiligheidswaarschuwingen, aanwijzingen, afbeeldingen en technische gegevens behorend bij dit elektrische gereedschap aandachtig door. Als u niet alle onderstaande aanwijzingen naleeft, kan dat resulteren in brand, elektrische schokken en/of ernstig letsel.

### Bewaar alle waarschuwingen en instructies om in de toekomst te kunnen raadplegen.

De term "elektrisch gereedschap" in de veiligheidsvoorschriften duidt op gereedschappen die op stroom van het lichtnet werken (met snoer) of gereedschappen met een accu (snoerloos).

### Veiligheidswaarschuwingen voor een boormachine

#### Veiligheidsinstructies voor alle werkzaamheden

- 1. Gebruik de hulphandgreep (hulphandgrepen).** Verliezen van de macht over het gereedschap kan letsel veroorzaken.
- 2. Houd het elektrisch gereedschap vast aan het geïsoleerde oppervlak van de handgrepen wanneer u werkt op plaatsen waar het accessoire met verborgen bedrading of zijn eigen snoer in aanraking kan komen.** Wanneer accessoires in aanraking komen met onder spanning staande draden, zullen de niet-geïsoleerde metalen delen van het gereedschap onder spanning komen te staan zodat de gebruiker een elektrische schok kan krijgen.

- 3. Zorg ook altijd dat u stevig op een solide bodem staat.** Let bij het werken op hoge plaatsen op dat er zich niemand recht onder u bevindt.
- 4. Houd het gereedschap stevig vast.**
- 5. Houd uw handen uit de buurt van draaiende onderdelen.**
- 6. Laat het gereedschap niet draaiend achter.** Schakel het gereedschap alleen in wanneer u het stevig vasthoudt.
- 7. Raak direct na uw werk het boorbit of het werkstuk niet aan.** Zij kunnen bijzonder heet zijn en brandwonden op uw huid veroorzaken.
- 8. Bepaalde materialen kunnen giftige chemicaliën bevatten.** Vermijd contact met uw huid en zorg dat u geen stof inademt. Volg de veiligheidsvoorschriften van de fabrikant van het materiaal.
- 9. Als het boorbit niet kan worden losgemaakt ondanks dat de klauwen geopend zijn, gebruikt u een tang om het eruit te trekken.** In dat geval kan met de hand eruit trekken leiden tot letsel vanwege zijn scherpe rand.

#### Veiligheidsinstructies bij gebruik van lange boorbits

- 1. Gebruik nooit op een hoger toerental dan het maximale nominale toerental van het boorbit.** Op een hoger toerental zal het bit waarschijnlijk verbuigen als het vrij ronddraait zonder contact met het werkstuk, waardoor persoonlijk letsel kan ontstaan.
- 2. Begin altijd te boren op een laag toerental en terwijl de punt van het bit contact maakt met het werkstuk.** Op een hoger toerental zal het bit waarschijnlijk verbuigen als het vrij ronddraait zonder contact met het werkstuk, waardoor persoonlijk letsel kan ontstaan.
- 3. Oefen alleen druk uit in een rechte lijn met het bit en oefen geen buitensporige druk uit.** Bits kunnen verbuigen waardoor ze kunnen breken of u de controle kunt verliezen, met persoonlijk letsel tot gevolg.

## BEWAAR DEZE INSTRUCTIES.

**⚠️ WAARSCHUWING:** Laat u NIET misleiden door een vals gevoel van comfort en bekendheid met het gereedschap (na veelvuldig gebruik) en neem alle veiligheidsvoorschriften van het betreffende gereedschap altijd strikt in acht. **VERKEERD GEBRUIK** of het niet naleven van de veiligheidsvoorschriften in deze gebruiksaanwijzing kan leiden tot ernstig persoonlijk letsel.

# BESCHRIJVING VAN DE FUNCTIES

**⚠ LET OP:** Controleer altijd of het gereedschap is uitgeschakeld en de stekker ervan uit het stopcontact is verwijderd alvorens de functies op het gereedschap te controleren of af te stellen.

## De trekkerschakelaar gebruiken

**⚠ LET OP:** Controleer altijd, voordat u de stekker in het stopcontact steekt, of de trekkerschakelaar op de juiste manier schakelt en weer terugkeert naar de uit-stand nadat deze is losgelaten.

- Fig.1: 1. Vergrendelknop 2. Toerentalinstelwiel 3. Trekkerschakelaar 4. Hoger 5. Lager

Om het gereedschap in te schakelen, knijpt u gewoon de trekkerschakelaar in. Hoe groter de druk op de trekkerschakelaar, hoe hoger het toerental van het gereedschap. Laat de trekkerschakelaar los om het gereedschap te stoppen.

Om het gereedschap continu te laten werken, knijpt u eerst de trekkerschakelaar in en drukt u daarna de vergrendelknop in.

Om vanuit de vergrendelde werking het gereedschap te stoppen, knijpt u de trekkerschakelaar helemaal in en laat u deze vervolgens weer los.

Het gereedschap is uitgerust met een toerentalinstelwiel waarmee het maximumtoerental kan worden beperkt (variabel). Draai het toerentalinstelwiel rechtsom voor een hoger toerental, of linksom voor een lager toerental.

## De omkeerschakelaar bedienen

**⚠ LET OP:** Controleer altijd de draairichting alvorens het gereedschap te starten.

**⚠ LET OP:** Verander de stand van de omkeerschakelaar alleen nadat het gereedschap volledig tot stilstand is gekomen. Als u de draairichting verandert terwijl het gereedschap nog draait, kan het gereedschap beschadigd raken.

- Fig.2: 1. Omkeerschakelaar

Dit gereedschap heeft een omkeerschakelaar voor het veranderen van de draairichting. Druk de omkeerschakelaar naar de stand ↶ (zijde A) voor rechtse draairichting, of naar stand ↷ (zijde B) voor linkse draairichting.

## Het toerental veranderen

- Fig.3: 1. Pijlpunt 2. Snelheidskeuzeknop

De twee snelheidsbereiken kunnen vooraf worden geselecteerd met behulp van de snelheidskeuzeknop. Om het toerental te veranderen, draait u de snelheidskeuzeknop zodat de pijlpunt op het gereedschapshuis wijst naar stand "I" voor een laag toerental of naar stand "II" voor een hoog toerental.

Als het moeilijk is om de knop te draaien, verdraait u eerst de spankop iets in een van beide richtingen en probeert u daarna opnieuw de knop te draaien.

**⚠ LET OP:** Gebruik de snelheidskeuzeknop alleen nadat het gereedschap volledig tot stilstand is gekomen. Als de snelheid van het gereedschap wordt veranderd voordat het gereedschap tot stilstand is gekomen, kan het gereedschap worden beschadigd.

**⚠ LET OP:** Zet de snelheidskeuzeknop altijd in de juiste stand. Als u het gereedschap bedient met de snelheidskeuzeknop in het midden tussen de standen "I" en "II", kan het gereedschap beschadigd worden.

# MONTAGE

**⚠ LET OP:** Zorg altijd dat het gereedschap is uitgeschakeld en dat zijn stekker uit het stopcontact is verwijderd alvorens enig werk aan het gereedschap uit te voeren.

## De zijhandgreep (hulphandgreep) aanbrengen

- Fig.4: 1. Handgreepvoet 2. De zijhandgreep (hulphandgreep) aanbrengen 3. Tandem 4. Uitsteeksel

Gebruik altijd de zijhandgreep om verzekerd te zijn van een veilig gebruik. Breng de zijhandgreep zodanig aan dat de tanden op de greep tussen de uitsteeksel op de schacht van het gereedschap vallen. Zet vervolgens de handgreep vast door deze in de gewenste positie rechtsom te draaien.

**OPMERKING:** De diepteaanslag kan niet worden gebruikt in de positie waarbij deze tegen het gereedschapshuis stoot.

## Het boorbit aanbrengen of verwijderen

**⚠ LET OP:** Zorg er altijd voor dat het gereedschap is uitgeschakeld en de stekker uit het stopcontact is getrokken voordat u het boorbit aanbrengt of verwijderd.

## Voor model DP4010

- Fig.5: 1. Spankopsleutel

Plaats het boorbit zo ver mogelijk in de boorspankop. Draai de spankop met de hand vast. Plaats de spankopsleutel in elk van de drie gaten en draai rechtsom vast. Zorg ervoor dat alle drie gaten in de spankop gelijkmatig worden vastgedraaid.

Om het boorbit te verwijderen, draait u de boorspankopsleutel in slechts één enkele gaten linksom en draait u de spankop vervolgens met de hand los.

Na gebruik van de spankopsleutel, plaatst u deze terug op zijn oorspronkelijke plaats.

## Voor model DP4011

### ► Fig.6: 1. Bus 2. Ring

Houd de ring vast en draai de bus linksom om de klauwen van de spankop te openen. Plaats het boorbit zo ver mogelijk in de boorspankop. Houd de ring vast en draai de bus rechtsom om de klauwen van de spankop te sluiten.

Om het boorbit te verwijderen, houdt u de ring vast en draait u de bus linksom.

## Dieptemaat

### Optioneel accessoire

De dieptemaat is nuttig voor het boren van gaten van gelijke diepte. Maak de zijhandgreep los en steek de dieptemaat in het gat in de basis van de zijhandgreep. Stel de dieptemaat af op de gewenste diepte en zet de zijhandgreep vast.

### ► Fig.7: 1. Dieptemaat

**OPMERKING:** De diepteaanslag kan niet worden gebruikt in de positie waarbij deze tegen het gereedschapshuis stoot.

## BEDIENING

### Het gereedschap vasthouden

#### ► Fig.8

Gebruik altijd de zijhandgreep (hulphandgreep) en houd het gereedschap tijdens het gebruik stevig vast aan de zijhandgreep en de schakelaarhandgreep.

### Gebruik als boormachine

## Boren in hout

Bij het boren in hout verkrijgt u de beste resultaten met houtboortjes voorzien van een geleideschroefpunt. Deze geleideschroefpunt vergemakkelijkt het boren, door het boorbit het werkstuk in te trekken.

## Boren in metaal

Om te voorkomen dat het boorbit bij het begin van het boren zijdelings wegglijdt, maakt u met een hamer en een centerpons een putje precies op de plaats waar u wilt boren. Plaats dan de punt van het boorbit in het putje en begin met boren.

Gebruik bij het boren in metaal een smeermiddel. Uitzonderingen hierbij zijn ijzer en koper, die droog geboord moeten worden.

**⚠ LET OP:** Het boren zal niet sneller verlopen als u hard op het gereedschap drukt. In feite zal dergelijk hard drukken alleen maar leiden tot beschadiging van het boorbit, lagere prestaties van het gereedschap en een kortere levensduur van het gereedschap.

**⚠ LET OP:** Houd het gereedschap stevig vast en let vooral goed op wanneer het boorbit door het werkstuk heen breekt. Op het moment dat het boorgat doorbreekt wordt een enorme wringende kracht uitgeoefend op het gereedschap/boorbit.

**⚠ LET OP:** Een vastgelopen boorbit kan eenvoudig verwijderd worden door de draairichting te veranderen met de omkeerschakelaar, om zo het boorbit eruit te draaien. Houd het gereedschap daarbij wel stevig vast, want er is kans op een plotselinge terugslag.

**⚠ LET OP:** Zet het werkstuk altijd vast in een bankschroef of soortgelijke klemvoorziening.

**⚠ LET OP:** Boor niet in materialen waarvan u vermoedt dat er verborgen spijkers of andere voorwerpen in zitten die ertoe kunnen leiden dat het boorbit vastloopt of breekt.

## ONDERHOUD

**⚠ LET OP:** Zorg altijd dat het gereedschap is uitgeschakeld en zijn stekker uit het stopcontact is verwijderd alvorens te beginnen met inspectie of onderhoud.

**KENNISGEVING:** Gebruik nooit benzine, wasbenzine, thinner, alcohol en dergelijke. Hierdoor kunnen verkleuring, vervormingen en barsten worden veroorzaakt.

## De ventilatieopeningen schoonmaken

### ► Fig.9: 1. Ventilatieopeningen

Zorg dat het gereedschap en de ventilatieopeningen steeds goed schoon blijven. Maak regelmatig de ventilatieopeningen van het gereedschap schoon en let goed op dat ze niet verstopt raken.

Om de VEILIGHEID en BETROUWBAARHEID van het gereedschap te handhaven, dienen alle reparaties, inspectie en vervanging van de koolborstels, en alle andere onderhoudswerkzaamheden of afstellingen te worden uitgevoerd bij een erkend Makita-servicecentrum of Makita-fabrieksservicecentrum, en altijd met gebruik van Makita-vervangingsonderdelen.

# OPTIONELE ACCESSOIRES

**⚠ LET OP:** Deze accessoires of hulpstukken worden aanbevolen voor gebruik met het Makita gereedschap dat in deze gebruiksaanwijzing is beschreven. Bij gebruik van andere accessoires of hulpstukken bestaat het gevaar van persoonlijke letsel. Gebruik de accessoires of hulpstukken uitsluitend voor hun bestemde doel.

Wenst u meer bijzonderheden over deze accessoires, neem dan contact op met het plaatselijke Makita-servicecentrum.

- Boorbits
- Gatenzagen
- Sleutelloze boorkop
- Spankopsleutel
- Handgreep compleet
- Dieptemaat
- Kunststof koffer

**OPMERKING:** Sommige items op de lijst kunnen zijn inbegrepen in de doos van het gereedschap als standaard toebehoren. Deze kunnen van land tot land verschillen.

# ESPECIFICACIONES

| Modelo:                    |        | DP4010 / DP4011             |                             |
|----------------------------|--------|-----------------------------|-----------------------------|
| Velocidad                  |        | Alta                        | Baja                        |
| Capacidades de perforación | Acero  | 8 mm                        | 13 mm                       |
|                            | Madera | 25 mm                       | 40 mm                       |
| Velocidad sin carga        |        | 0 - 2.900 min <sup>-1</sup> | 0 - 1.200 min <sup>-1</sup> |
| Longitud total             |        | 347 mm                      |                             |
| Peso neto                  |        | 2,3 kg                      |                             |
| Clase de seguridad         |        | □/II                        |                             |

- Debido a nuestro continuado programa de investigación y desarrollo, las especificaciones aquí dadas están sujetas a cambios sin previo aviso.
- Las especificaciones pueden ser diferentes de país a país.
- Peso de acuerdo con el procedimiento EPTA 01/2014

## Uso previsto

La herramienta ha sido prevista para perforar en madera, metal y plástico.

## Alimentación

La herramienta deberá ser conectada solamente a una fuente de alimentación de la misma tensión que la indicada en la placa de características, y solamente puede ser utilizada con alimentación de CA monofásica. La herramienta tiene doble aislamiento y puede, por lo tanto, utilizarse también en tomas de corriente sin conductor de tierra.

## Ruido

El nivel de ruido A-ponderado típico determinado de acuerdo con la norma EN62841-2-1:  
 Nivel de presión sonora ( $L_{pA}$ ) : 83 dB (A)  
 Nivel de potencia sonora ( $L_{WA}$ ) : 91 dB (A)  
 Error (K) : 3 dB (A)

**NOTA:** El valor (o los valores) de emisión de ruido declarado ha sido medido de acuerdo con un método de prueba estándar y se puede utilizar para comparar una herramienta con otra.

**NOTA:** El valor (o valores) de emisión de ruido declarado también se puede utilizar en una valoración preliminar de exposición.

**⚠ADVERTENCIA:** Póngase protectores para oídos.

**⚠ADVERTENCIA:** La emisión de ruido durante la utilización real de la herramienta eléctrica puede variar del valor (o los valores) de emisión declarado dependiendo de las formas en las que la herramienta sea utilizada, especialmente qué tipo de pieza de trabajo se procesa.

**⚠ADVERTENCIA:** Asegúrese de identificar medidas de seguridad para proteger al operario que estén basadas en una estimación de la exposición en las condiciones reales de utilización (teniendo en cuenta todas las partes del ciclo operativo como las veces cuando la herramienta está apagada y cuando está funcionando en vacío además del tiempo de gatillo).

## Vibración

El valor total de la vibración (suma de vectores triaxiales) determinado de acuerdo con la norma EN62841-2-1:  
 Modo de trabajo: perforación en metal  
 Emisión de vibración ( $a_{h,D}$ ) : 2,5 m/s<sup>2</sup> o menos  
 Error (K) : 1,5 m/s<sup>2</sup>

**NOTA:** El valor (o los valores) total de emisión de vibración declarado ha sido medido de acuerdo con un método de prueba estándar y se puede utilizar para comparar una herramienta con otra.

**NOTA:** El valor (o los valores) total de emisión de vibración declarado también se puede utilizar en una valoración preliminar de exposición.

**⚠ADVERTENCIA:** La emisión de vibración durante la utilización real de la herramienta eléctrica puede variar del valor (o los valores) de emisión declarado dependiendo de las formas en las que la herramienta sea utilizada, especialmente qué tipo de pieza de trabajo se procesa.

**⚠ADVERTENCIA:** Asegúrese de identificar medidas de seguridad para proteger al operario que estén basadas en una estimación de la exposición en las condiciones reales de utilización (teniendo en cuenta todas las partes del ciclo operativo como las veces cuando la herramienta está apagada y cuando está funcionando en vacío además del tiempo de gatillo).

## Declaraciones de conformidad

### Para países europeos solamente

Las declaraciones de conformidad están incluidas como Anexo A de este manual de instrucciones.

## ADVERTENCIAS DE SEGURIDAD

### Advertencias de seguridad para herramientas eléctricas en general

**⚠ADVERTENCIA:** Lea todas las advertencias de seguridad, instrucciones, ilustraciones y especificaciones provistas con esta herramienta eléctrica. Si no sigue todas las instrucciones indicadas abajo podrá resultar en una descarga eléctrica, un incendio y/o heridas graves.

### Guarde todas las advertencias e instrucciones para futuras referencias.

El término "herramienta eléctrica" en las advertencias se refiere a su herramienta eléctrica de funcionamiento con conexión a la red eléctrica (con cable) o herramienta eléctrica de funcionamiento a batería (sin cable).

### Advertencias de seguridad para el taladro

#### Instrucciones de seguridad para todas las operaciones

1. **Utilice el mango (o los mangos) auxiliar.** Una pérdida del control puede ocasionar heridas personales.
2. **Cuando realice una operación en la que el accesorio de corte pueda entrar en contacto con cableado oculto o con su propio cable, sujete la herramienta eléctrica por las superficies de asimiento aisladas.** El contacto del accesorio de corte con un cable con corriente hará que la corriente circule por las partes metálicas expuestas de la herramienta eléctrica y podrá soltar una descarga eléctrica al operario.

3. **Asegúrese siempre de apoyar los pies firmemente.** Asegúrese de que no haya nadie debajo cuando utilice la herramienta en lugares altos.
4. **Sujete la herramienta firmemente.**
5. **Mantenga las manos alejadas de las partes giratorias.**
6. **No deje la herramienta en marcha.** Tenga en marcha la herramienta solamente cuando la tenga en la mano.
7. **No toque la broca ni la pieza de trabajo inmediatamente después de la operación;** podrán estar muy calientes y quemarle la piel.
8. **Algunos materiales contienen sustancias químicas que pueden ser tóxicas.** Tenga precaución para evitar la inhalación de polvo y el contacto con la piel. Siga los datos de seguridad del abastecedor del material.
9. **Si la broca no se puede aflojar incluso cuando abre las garras, utilice unos alicates para extraerla.** En tal caso, sacar la broca a mano puede resultar en heridas debido a su borde cortante.

#### Instrucciones de seguridad cuando se utilizan brocas largas

1. **No utilice nunca a velocidades más altas que la velocidad máxima nominal de la broca.** A velocidades más altas, es probable que la broca se doble si se deja girar libremente sin hacer contacto con la pieza de trabajo, resultando en heridas personales.
2. **Comience a perforar siempre a velocidad baja y con la punta de la broca haciendo contacto con la pieza de trabajo.** A velocidades más altas, es probable que la broca se doble si se deja girar libremente sin hacer contacto con la pieza de trabajo, resultando en heridas personales.
3. **Aplique presión solamente en línea directa con la broca y no aplique una presión excesiva.** Las brocas se pueden doblar ocasionando su rotura o la pérdida de control, resultando en heridas personales.

## GUARDE ESTAS INSTRUCCIONES.

**⚠ADVERTENCIA:** NO deje que la comodidad o familiaridad con el producto (a base de utilizarlo repetidamente) sustituya la estricta observancia de las normas de seguridad para el producto en cuestión. El MAL USO o el no seguir las normas de seguridad establecidas en este manual de instrucciones podrá ocasionar graves heridas personales.

## DESCRIPCIÓN DEL FUNCIONAMIENTO

**⚠PRECAUCIÓN:** Asegúrese siempre de que la herramienta está apagada y desenchufada antes de intentar realizar cualquier tipo de ajuste o comprobación en ella.

### Accionamiento del interruptor

**⚠PRECAUCIÓN:** Antes de enchufar la herramienta, compruebe siempre para cerciorarse de que el gatillo interruptor se acciona debidamente y que vuelve a la posición "OFF" cuando lo suelta.

- Fig.1: 1. Botón de bloqueo 2. Tornillo de control de velocidad 3. Gatillo interruptor 4. Más alta 5. Más baja

Para poner en marcha la herramienta, simplemente apriete el gatillo interruptor. La velocidad de la herramienta se incrementa aumentando la presión en el gatillo interruptor. Suelte el gatillo interruptor para parar. Para una operación continua, apriete el gatillo interruptor y después presione hacia dentro el botón de bloqueo. Para parar la herramienta desde la posición bloqueada, apriete el gatillo interruptor a tope, después suéltelo. Se ha provisto un tornillo de control de velocidad de manera que la velocidad máxima de la herramienta se puede limitar (variable). Gire el tornillo de control de velocidad hacia la derecha para velocidad más alta, y hacia la izquierda para velocidad más baja.

### Accionamiento del interruptor inversor

**⚠PRECAUCIÓN:** Confirme siempre la dirección de giro antes de la operación.

**⚠PRECAUCIÓN:** Utilice el interruptor inversor solamente después de que la herramienta se haya parado completamente. Si cambia la dirección de giro antes de que la herramienta se haya parado podrá dañarla.

- Fig.2: 1. Palanca del interruptor inversor

Esta herramienta tiene un interruptor inversor para cambiar la dirección de giro. Mueva la palanca del interruptor inversor a la posición ↶ (lado A) para giro a la derecha o a la posición ↷ (lado B) para giro a la izquierda.

### Cambio de velocidad

- Fig.3: 1. Flecha 2. Pomo de cambio de velocidad

Con el pomo de cambio de velocidad se pueden preseleccionar dos gamas de velocidades. Para cambiar la velocidad, gire el pomo de cambio de velocidad de manera que la flecha del cuerpo de la herramienta apunte hacia la posición "I" del pomo para velocidad baja o hacia la posición "II" para velocidad alta. Si resulta difícil girar el pomo, primero gire el mandril ligeramente en una u otra dirección y después gire el pomo otra vez.

**⚠PRECAUCIÓN:** Utilice el pomo de cambio de velocidad solamente después de que la herramienta se haya parado completamente. Si cambia la velocidad de la herramienta antes de que la herramienta se haya parado la herramienta se podrá dañar.

**⚠PRECAUCIÓN:** Ponga siempre el pomo de cambio de velocidad en la posición correcta. Si utiliza la herramienta con el pomo de cambio de velocidad puesto a mitad entre la posición "I" y la "II", la herramienta se podrá dañar.

## MONTAJE

**⚠PRECAUCIÓN:** Asegúrese siempre de que la herramienta está apagada y desenchufada antes de realizar cualquier trabajo en la herramienta.

### Instalación de la empuñadura lateral (mango auxiliar)

- Fig.4: 1. Base de la empuñadura 2. Empuñadura lateral (mango auxiliar) 3. Dientes 4. Protuberancia

Utilice siempre la empuñadura lateral para garantizar la seguridad de la operación. Instale la empuñadura lateral de forma que los dientes de la empuñadura encajen entre las protuberancias del barril de la herramienta. Después apriete la empuñadura girando hacia la derecha en la posición deseada.

**NOTA:** El tope de profundidad no se puede utilizar en la posición donde golpea contra el cuerpo de la herramienta.

### Instalación o desmontaje de la broca

**⚠PRECAUCIÓN:** Asegúrese siempre de que la herramienta está apagada y desenchufada antes de instalar o retirar la broca.

### Para el modelo DP4010

- Fig.5: 1. Llave de mandril

Para instalar la broca, póngala a fondo en el mandril de broca. Apriete el mandril a mano. Ponga la llave de mandril en cada uno de los tres agujeros y apriete hacia la derecha. Asegúrese de apretar todos los tres agujeros del mandril uniformemente.

Para retirar la broca, gire la llave de mandril hacia la izquierda en un solo agujero, después afloje el mandril a mano.

Después de utilizar la llave de mandril, asegúrese de volver a ponerla en la posición original.

## Para el modelo DP4011

### ► Fig.6: 1. Manguito 2. Anillo

Sujete el anillo y gire el manguito hacia la izquierda para abrir las garras del mandril. Ponga la broca a fondo en el mandril de broca. Sujete el anillo firmemente y gire el manguito hacia la derecha para apretar el mandril.

Para retirar la broca, sujete el anillo y gire el manguito hacia la izquierda.

## Tope de profundidad

### Accesorios opcionales

El tope de profundidad resulta útil para perforar agujeros de profundidad uniforme. Afloje la empuñadura lateral e inserte el tope de profundidad en el orificio de la empuñadura lateral. Ajuste el tope de profundidad a la profundidad deseada y apriete la empuñadura lateral firmemente.

### ► Fig.7: 1. Tope de profundidad

**NOTA:** El tope de profundidad no se puede utilizar en la posición donde golpea contra el cuerpo de la herramienta.

**⚠PRECAUCIÓN:** Con ejercer una presión excesiva sobre la herramienta no conseguirá perforar más rápido. De hecho, esta presión excesiva sólo servirá para dañar la punta de la broca, disminuir el rendimiento de la herramienta y acortar la vida de servicio de la herramienta.

**⚠PRECAUCIÓN:** Sujete la herramienta firmemente y tenga cuidado cuando la broca comience a penetrar en la pieza de trabajo. En el momento de comenzar a penetrar se ejerce una fuerza tremenda sobre la herramienta/broca.

**⚠PRECAUCIÓN:** Una broca atascada podrá extraerse simplemente poniendo el interruptor inversor en giro inverso para que retroceda. Sin embargo, la herramienta podrá retroceder bruscamente si no la sujeta firmemente.

**⚠PRECAUCIÓN:** Sujete siempre las piezas de trabajo en un tornillo de banco o dispositivo de sujeción similar.

**⚠PRECAUCIÓN:** Evite taladrar en material que sospeche que contiene clavos ocultos u otras cosas que puedan ocasionar que la broca se trabe o se rompa.

## OPERACIÓN

### Sujeción de la herramienta

#### ► Fig.8

Utilice siempre la empuñadura lateral (mango auxiliar) y sujete la herramienta firmemente por la empuñadura lateral y el mango del interruptor durante las operaciones.

### Operación de perforación

#### Perforación en madera

Cuando perforo en madera, los mejores resultados se obtendrán con brocas para madera equipadas con un tornillo guía. El tornillo guía facilita la perforación tirando de la broca hacia el interior de la pieza de trabajo.

#### Perforación en metal

Para evitar que la broca resbale al empezar a hacer el agujero, haga una mella con un punzón y martillo en el punto a taladrar. Ponga la punta de la broca en la mella y comience a perforar.

Utilice un lubricante para operaciones de corte cuando perforo metales. Las excepciones son acero y latón que deberán ser perforados en seco.

## MANTENIMIENTO

**⚠PRECAUCIÓN:** Asegúrese siempre de que la herramienta está apagada y desenchufada antes de intentar realizar la inspección o el mantenimiento.

**AVISO:** No utilice nunca gasolina, bencina, disolvente, alcohol o similares. Podría producir descoloración, deformación o grietas.

### Limpieza de las aberturas de ventilación

#### ► Fig.9: 1. Aberturas de ventilación

La herramienta y sus aberturas de ventilación han de mantenerse limpias. Limpie las aberturas de ventilación de la herramienta regularmente o siempre que comiencen a estar obstruidas.

Para mantener la SEGURIDAD y FIABILIDAD del producto, las reparaciones, la inspección y el reemplazo de la escobilla de carbón, y cualquier otra tarea de mantenimiento o ajuste deberán ser realizados en centros de servicio autorizados o de fábrica de Makita, empleando siempre repuestos Makita.

# ACCESORIOS OPCIONALES

**⚠PRECAUCIÓN:** Estos accesorios o aditamentos están recomendados para su uso con la herramienta Makita especificada en este manual. El uso de cualquier otro accesorio o aditamento puede suponer un riesgo de heridas personales. Utilice el accesorio o aditamento solamente con la finalidad indicada para el mismo.

Si necesita cualquier ayuda para más detalles en relación con estos accesorios, pregunte al centro de servicio Makita local.

- Brocas
- Sierras cilíndricas
- Mandril de broca sin llave
- Llave de mandril
- Conjunto de la empuñadura
- Tope de profundidad
- Maletín de transporte de plástico

**NOTA:** Algunos elementos de la lista podrán estar incluidos en el paquete de la herramienta como accesorios estándar. Pueden variar de un país a otro.

## ESPECIFICAÇÕES

| Modelo:                   |         | DP4010 / DP4011             |                             |
|---------------------------|---------|-----------------------------|-----------------------------|
| Velocidade                |         | Alta                        | Baixa                       |
| Capacidades de perfuração | Aço     | 8 mm                        | 13 mm                       |
|                           | Madeira | 25 mm                       | 40 mm                       |
| Velocidade sem carga      |         | 0 - 2.900 min <sup>-1</sup> | 0 - 1.200 min <sup>-1</sup> |
| Comprimento total         |         | 347 mm                      |                             |
| Peso líquido              |         | 2,3 kg                      |                             |
| Classe de segurança       |         | □/II                        |                             |

- Devido a um programa contínuo de pesquisa e desenvolvimento, estas especificações podem ser alteradas sem aviso prévio.
- As especificações podem variar de país para país.
- Peso de acordo com o Procedimento EPTA 01/2014

### Utilização a que se destina

A ferramenta serve para perfurar em madeira, metal e plástico.

### Alimentação

A ferramenta só deve ser ligada a uma fonte de alimentação com a mesma tensão da indicada na placa de características, e só funciona com alimentação de corrente alterna (CA) monofásica. Tem um sistema de isolamento duplo e pode, por isso, utilizar tomadas sem ligação à terra.

### Ruído

A característica do nível de ruído A determinado de acordo com a EN62841-2-1:

Nível de pressão acústica ( $L_{pA}$ ): 83 dB (A)

Nível de potência acústica ( $L_{wA}$ ): 91 dB (A)

Variabilidade (K): 3 dB (A)

**NOTA:** O(s) valor(es) da emissão de ruído indicado(s) foi medido de acordo com um método de teste padrão e pode ser utilizado para comparar duas ferramentas.

**NOTA:** O(s) valor(es) da emissão de ruído indicado(s) pode também ser utilizado na avaliação preliminar da exposição.

**AVISO:** Utilize protetores auriculares.

**AVISO:** A emissão de ruído durante a utilização real da ferramenta elétrica pode diferir do(s) valor(es) indicado(s), dependendo das formas como a ferramenta é utilizada, especialmente o tipo de peça de trabalho que é processada.

**AVISO:** Certifique-se de identificar as medidas de segurança para proteção do operador que sejam baseadas em uma estimativa de exposição em condições reais de utilização (considerando todas as partes do ciclo de operação, tal como quando a ferramenta está desligada e quando está a funcionar em marcha lenta além do tempo de acionamento).

### Vibração

Valor total da vibração (soma vetorial tri-axial) determinado de acordo com a EN62841-2-1:

Modo de trabalho: perfuração em metal

Emissão de vibração ( $a_{h,D}$ ): 2,5 m/s<sup>2</sup> ou menos

Variabilidade (K): 1,5 m/s<sup>2</sup>

**NOTA:** O(s) valor(es) total(ais) de vibração indicado(s) foi medido de acordo com um método de teste padrão e pode ser utilizado para comparar duas ferramentas.

**NOTA:** O(s) valor(es) total(ais) de vibração indicado(s) pode também ser utilizado na avaliação preliminar da exposição.

**AVISO:** A emissão de vibração durante a utilização real da ferramenta elétrica pode diferir do(s) valor(es) indicado(s), dependendo das formas como a ferramenta é utilizada, especialmente o tipo de peça de trabalho que é processada.

**AVISO:** Certifique-se de identificar as medidas de segurança para proteção do operador que sejam baseadas em uma estimativa de exposição em condições reais de utilização (considerando todas as partes do ciclo de operação, tal como quando a ferramenta está desligada e quando está a funcionar em marcha lenta além do tempo de acionamento).

### Declarações de conformidade

*Apenas para os países europeus*

As Declarações de conformidade estão incluídas no Anexo A deste manual de instruções.

# AVISOS DE SEGURANÇA

## Avisos gerais de segurança para ferramentas elétricas

**⚠️ AVISO:** Leia todos os avisos de segurança, instruções, ilustrações e especificações fornecidos com esta ferramenta elétrica. O não cumprimento de todas as instruções indicadas em baixo pode resultar em choque elétrico, incêndio e/ou ferimentos graves.

## Guarde todos os avisos e instruções para futuras referências.

O termo “ferramenta elétrica” nos avisos refere-se às ferramentas elétricas ligadas à corrente elétrica (com cabo) ou às ferramentas elétricas operadas por meio de bateria (sem cabo).

## Avisos de segurança da furadeira

Instruções de segurança para todas as operações

1. **Utilize a(s) pega(s) auxiliar(es).** A perda de controlo pode causar ferimentos pessoais.
2. **Segure a ferramenta elétrica pelas superfícies isoladas preparadas para esse fim, quando executar uma operação em que o acessório de corte possa entrar em contacto com fios ocultos ou o próprio cabo.** O acessório de corte que entra em contacto com um fio “com corrente” pode passar a corrente para as partes metálicas expostas da ferramenta elétrica e causar choque elétrico ao operador.
3. **Certifique-se sempre que possui uma base firme.** Certifique-se de que ninguém está por baixo quando usa a ferramenta em locais elevados.
4. **Segure a ferramenta firmemente.**
5. **Mantenha as mãos afastadas das partes giratórias.**
6. **Não deixe a ferramenta a funcionar.** Opere a ferramenta apenas quando a estiver a agarrar.
7. **Não toque na broca de perfuração ou na peça de trabalho imediatamente após a operação; podem estar extremamente quentes e queimar a sua pele.**
8. **Alguns materiais contêm químicos que podem ser tóxicos.** Tome cuidado para evitar a inalação de poeira e o contacto com a pele. Siga os dados de segurança do fornecedor do material.
9. **Se não for possível soltar a broca de perfuração alicate mesmo se abrir os mordentes, utilize um alicate para extrai-la.** Nesse caso, extrair a broca de perfuração manualmente poderá resultar em lesões provocadas pelo seu bordo afiado.

Instruções de segurança quando utilizar brocas de perfuração longas

1. **Nunca utilize a uma velocidade mais elevada do que a categoria de velocidade máxima da broca de perfuração.** A velocidades mais elevadas, é provável que a broca se dobre se for permitida a respetiva rotação livre sem entrar em contacto com a peça de trabalho, resultando em ferimentos pessoais.
2. **Comece sempre a perfurar a baixa velocidade e com a ponta da broca em contacto com a peça de trabalho.** A velocidades mais elevadas, é provável que a broca se dobre se for permitida a respetiva rotação livre sem entrar em contacto com a peça de trabalho, resultando em ferimentos pessoais.
3. **Aplique pressão apenas em linha direta com a broca e não aplique pressão excessiva.** As brocas podem dobrar-se provocando quebra ou perda de controlo, resultando em ferimentos pessoais.

## GUARDE ESTAS INSTRUÇÕES.

**⚠️ AVISO:** NÃO permita que o conforto ou familiaridade com o produto (adquirido com o uso repetido) substitua o cumprimento estrito das regras de segurança da ferramenta. A MÁ INTERPRETAÇÃO ou o não seguimento das regras de segurança estabelecidas neste manual de instruções pode provocar ferimentos pessoais graves.

## DESCRIÇÃO FUNCIONAL

**⚠️ PRECAUÇÃO:** Certifique-se sempre de que a ferramenta está desligada e com a ficha retirada da tomada, antes de proceder a afinações ou de verificar o funcionamento da respetiva ferramenta.

## Ação do interruptor

**⚠️ PRECAUÇÃO:** Antes de ligar a ferramenta à corrente, verifique sempre se o gatilho funciona corretamente e volta para a posição “OFF” quando libertado.

- Fig.1: 1. Botão de bloqueio 2. Parafuso de controlo da velocidade 3. Gatilho 4. Superior 5. Inferior

Para acionar a ferramenta, puxe o gatilho. A velocidade da ferramenta aumenta à medida que se vai aumentando a pressão no gatilho. Liberte o gatilho para parar. Para a operação contínua, puxe o gatilho do interruptor e, em seguida, empurre o botão de bloqueio. Para parar a ferramenta a partir da posição de bloqueada, puxe o gatilho do interruptor até ao fim e, em seguida, solte-o. Existe um parafuso de controlo da velocidade para que seja possível limitar a velocidade máxima da ferramenta (variável). Rode o parafuso de controlo da velocidade para a direita para uma velocidade superior e para a esquerda para uma velocidade inferior.

## Ação do interruptor de inversão

**⚠️ PRECAUÇÃO:** Verifique sempre a direção de rotação antes da operação.

**⚠️ PRECAUÇÃO:** Só utilize o interruptor de inversão depois de a ferramenta estar completamente parada. Mudar a direção de rotação antes de a ferramenta parar pode estragar a ferramenta.

► **Fig.2:** 1. Alavanca do interruptor de inversão

Esta ferramenta tem um interruptor de inversão para mudar a direção de rotação. Desloque a alavanca do interruptor de inversão para a posição ⇐ (lado A) para rotação para a direita ou para a posição ⇒ (lado B) para rotação para a esquerda.

## Mudança de velocidade

► **Fig.3:** 1. Seta 2. Botão de mudança de velocidade

É possível pré-selecionar duas gamas de velocidade com o botão de mudança de velocidade.

Para mudar a velocidade, rode o botão de mudança de velocidade de modo que a seta no corpo da ferramenta aponte para a posição "I" no botão para baixa velocidade ou para a posição "II" para alta velocidade.

Se for difícil rodar o botão, rode primeiro o mandril ligeiramente em qualquer direção e, em seguida, volte a rodar o botão.

**⚠️ PRECAUÇÃO:** Utilize o botão de mudança de velocidade apenas após a paragem completa da ferramenta. Se mudar a velocidade da ferramenta antes de a ferramenta parar pode danificar a ferramenta.

**⚠️ PRECAUÇÃO:** Regule sempre o botão de mudança de velocidade para a posição correta. Se operar a ferramenta com o botão de mudança de velocidade posicionado a meio entre a posição "I" e a posição "II", a ferramenta pode ficar danificada.

## MONTAGEM

**⚠️ PRECAUÇÃO:** Certifique-se sempre de que a ferramenta está desligada e com a ficha retirada da tomada antes de executar quaisquer trabalhos na ferramenta.

## Instalação do punho lateral (pega auxiliar)

► **Fig.4:** 1. Base do punho 2. Punho lateral (pega auxiliar) 3. Dentes 4. Saliência

Utilize sempre o punho lateral para garantir a segurança da operação. Instale o punho lateral de modo que os dentes no punho encaixem entre as saliências no tambor da ferramenta. Depois, aperte o punho rodando para a direita até à posição pretendida.

**NOTA:** O medidor de profundidade não pode ser utilizado na posição em que o medidor de profundidade bate contra o corpo da ferramenta.

## Instalar ou retirar a broca de perfuração

**⚠️ PRECAUÇÃO:** Certifique-se sempre de que a ferramenta está desligada e sem corrente antes de instalar ou retirar a broca de perfuração.

### Para o modelo DP4010

► **Fig.5:** 1. Chave do mandril

Para instalar a broca de perfuração, coloque-a no mandril da broca até onde puder ir. Aperte o mandril à mão. Coloque a chave do mandril em cada um dos três orifícios e aperte para a direita. Certifique-se de que aperta com a mesma força os três orifícios do mandril.

Para remover a broca de perfuração, rode a chave do mandril da broca para a esquerda em apenas um dos orifícios, depois solte o mandril à mão.

Depois de utilizar a chave do mandril, certifique-se de que a guarda na posição original.

### Para o modelo DP4011

► **Fig.6:** 1. Manga 2. Anel

Segure no anel e rode a manga para a esquerda para abrir as garras do mandril. Coloque a broca de perfuração no mandril da broca até onde puder ir. Segure no anel firmemente e rode a manga para a direita para apertar o mandril.

Para retirar a broca de perfuração, segure no anel e rode a manga para a esquerda.

## Micrómetro de profundidade

### Acessório opcional

O micrómetro de profundidade é conveniente para perfurar orifícios de profundidade uniforme. Solte o punho lateral e insira o micrómetro de profundidade no orifício no punho lateral. Ajuste o micrómetro de profundidade para a profundidade pretendida e aperte firmemente o punho lateral.

► **Fig.7:** 1. Micrómetro de profundidade

**NOTA:** O medidor de profundidade não pode ser utilizado na posição em que o medidor de profundidade bate contra o corpo da ferramenta.

# OPERAÇÃO

## Como segurar a ferramenta

► Fig.8

Utilize sempre o punho lateral (pega auxiliar) e segure firmemente a ferramenta pelo punho lateral e pega do interruptor durante as operações.

## Operação de perfuração

### Perfurar em madeira

Quando perfurar em madeira, os melhores resultados são obtidos com brocas para madeira equipadas com um parafuso guia. O parafuso guia facilita a perfuração empurrando a broca de perfuração para dentro da peça de trabalho.

### Perfurar em metal

Para evitar que a broca de perfuração deslize quando começa um orifício, faça um entalhe com um punção de bico e um martelo no ponto a perfurar. Coloque a ponta da broca de perfuração no entalhe e comece a perfurar. Utilize um lubrificante de corte quando perfurar metais. As exceções são ferro e latão, que devem ser perfurados a seco.

**⚠PRECAUÇÃO:** Não acelerará a perfuração se exercer demasiada pressão na ferramenta. Na realidade, esta pressão excessiva servirá apenas para danificar a ponta da broca de perfuração, diminuir o desempenho da ferramenta e encurtar o tempo de vida útil da ferramenta.

**⚠PRECAUÇÃO:** Segure a ferramenta com firmeza e tenha cuidado quando a broca de perfuração começar a atravessar a peça de trabalho. No momento de atravessar o orifício, exercer-se-á uma enorme força na ferramenta/broca de perfuração.

**⚠PRECAUÇÃO:** Uma broca de perfuração presa pode ser retirada colocando-se simplesmente o interruptor de inversão para rotação inversa para fazê-la sair. No entanto, a ferramenta pode saltar para trás de repente se não a agarrar firmemente.

**⚠PRECAUÇÃO:** Fixe sempre as peças de trabalho num torno ou outro dispositivo de fixação semelhante.

**⚠PRECAUÇÃO:** Evite perfurar em material que suspeite conter pregos ocultos ou outras coisas que possam causar o enlace ou a quebra da broca de perfuração.

# MANUTENÇÃO

**⚠PRECAUÇÃO:** Certifique-se sempre de que a ferramenta está desligada e com a ficha retirada da tomada antes de tentar proceder à inspeção ou à manutenção.

**OBSERVAÇÃO:** Nunca utilize gasolina, benzina, diluente, álcool ou produtos semelhantes. Pode ocorrer a descoloração, deformação ou rachaduras.

## Limpar os orifícios de ventilação

► Fig.9: 1. Orifícios de ventilação

A ferramenta e os respetivos orifícios de ventilação têm de ser mantidos limpos. Limpe regularmente os orifícios de ventilação da ferramenta ou sempre que os orifícios comecem a ficar obstruídos.

Para manter a SEGURANÇA e a FIABILIDADE do produto, as reparações, a inspeção e substituição das escovas de carvão e qualquer outra manutenção ou ajuste devem ser levados a cabo pelos centros de assistência autorizados ou pelos centros de assistência de fábrica Makita, utilizando sempre peças de substituição Makita.

# ACESSÓRIOS OPCIONAIS

**⚠PRECAUÇÃO:** Estes acessórios ou peças são recomendados para utilização com a ferramenta Makita especificada neste manual. A utilização de outros acessórios ou peças pode ser perigosa para as pessoas. Utilize apenas acessórios ou peças para os fins indicados.

Se necessitar de informações adicionais relativas a estes acessórios, solicite-as ao seu centro de assistência Makita.

- Brocas de perfuração
- Serras-copo
- Mandril da broca sem chave
- Chave do mandril
- Conjunto do punho
- Micrómetro de profundidade
- Mala de transporte em plástico

**NOTA:** Alguns itens da lista podem estar incluídos na embalagem da ferramenta como acessórios padrão. Eles podem variar de país para país.

## SPECIFIKATIONER

| Model:                    |      | DP4010 / DP4011             |                             |
|---------------------------|------|-----------------------------|-----------------------------|
| Hastighed                 |      | Høj                         | Lav                         |
| Borekapacitet             | Stål | 8 mm                        | 13 mm                       |
|                           | Træ  | 25 mm                       | 40 mm                       |
| Hastighed uden belastning |      | 0 - 2.900 min <sup>-1</sup> | 0 - 1.200 min <sup>-1</sup> |
| Længde i alt              |      | 347 mm                      |                             |
| Nettovægt                 |      | 2,3 kg                      |                             |
| Sikkerhedsklasse          |      | □/II                        |                             |

- På grund af vores kontinuerlige forsknings- og udviklingsprogrammer kan hosstående specifikationer blive ændret uden varsel.
- Specifikationer kan variere fra land til land.
- Vægt i henhold til EPTA-procedure 01/2014

### Tilsigtet anvendelse

Maskinen er beregnet til at bore i træ, metal og plastik.

### Strømforsyning

Maskinen må kun tilsluttes en strømforsyning med samme spænding som angivet på typeskiltet og kan kun anvendes på enfaset vekselstrømforsyning. Den er dobbeltisoleret og kan derfor også tilsluttes netstik uden jordforbindelse.

### Støj

Det typiske A-vægtede støjniveau bestemt i overensstemmelse med EN62841-2-1:

Lydtryksniveau (L<sub>pA</sub>) : 83 dB (A)

Lydeffektniveau (L<sub>WA</sub>) : 91 dB (A)

Usikkerhed (K): 3 dB (A)

**BEMÆRK:** De(n) angivne støjemissionsværdi(er) er målt i overensstemmelse med en standardtestmetode og kan anvendes til at sammenligne en maskine med en anden.

**BEMÆRK:** De(n) angivne støjemissionsværdi(er) kan også anvendes i en præliminær eksponeringsvurdering.

**⚠ ADVARSEL:** Bær høreværn.

**⚠ ADVARSEL:** Støjemissionen under den faktiske anvendelse af maskinen kan være forskellig fra de(n) angivne værdi(er), afhængigt af den måde hvorpå maskinen anvendes, især den type arbejdsemne der behandles.

**⚠ ADVARSEL:** Sørg for at identificere de sikkerhedsforskrifter til beskyttelse af operatøren, som er baseret på en vurdering af eksponering under de faktiske brugsforhold (med hensyntagen til alle dele i brugscyklussen, f.eks. de gange, hvor maskinen er slukket, og når den kører i tomgang i tilgift til afbrydertiden).

### Vibration

Vibrationens totalværdi (træ-aksial vektorsum) bestemt i overensstemmelse med EN62841-2-1:

Arbejdstilstand: boring i metal

Vibrationsemission (a<sub>h,D</sub>): 2,5 m/s<sup>2</sup> eller mindre

Usikkerhed (K): 1,5 m/s<sup>2</sup>

**BEMÆRK:** De(n) angivne totalværdi(er) for vibration er målt i overensstemmelse med en standardtestmetode og kan anvendes til at sammenligne en maskine med en anden.

**BEMÆRK:** De(n) angivne totalværdi(er) for vibration kan også anvendes i en præliminær eksponeringsvurdering.

**⚠ ADVARSEL:** Vibrationsemissionen under den faktiske anvendelse af maskinen kan være forskellig fra de(n) angivne værdi(er), afhængigt af den måde hvorpå maskinen anvendes, især den type arbejdsemne der behandles.

**⚠ ADVARSEL:** Sørg for at identificere de sikkerhedsforskrifter til beskyttelse af operatøren, som er baseret på en vurdering af eksponering under de faktiske brugsforhold (med hensyntagen til alle dele i brugscyklussen, f.eks. de gange, hvor maskinen er slukket, og når den kører i tomgang i tilgift til afbrydertiden).

### Overensstemmelseserklæringer

#### Kun for lande i Europa

Overensstemmelseserklæringerne er inkluderet i Bilag A i denne brugsanvisning.

# SIKKERHEDSADVARSLER

## Almindelige sikkerhedsregler for el-værktøj

**⚠ ADVARSEL:** Læs alle de sikkerhedsadvarsler, instruktioner, illustrationer og specifikationer, der følger med denne maskine. Forsømmelse af at overholde alle nedenstående instruktioner kan medføre elektrisk stød, brand og/eller alvorlig personskade.

## Gem alle advarsler og instruktioner til fremtidig reference.

Ordet "el-værktøj" i advarslerne henviser til det netforsyede (netledning) el-værktøj eller batteriforsyede (akku) el-værktøj.

## Sikkerhedsadvarsler for boremaskine

### Sikkerhedsinstruktioner for alle betjening

1. **Brug hjælpehåndtaget (-håndtagene).** Hvis herredømmet over maskinen mistes, kan det føre til tilskadekomst.
2. **Hold maskinen i de isolerede grebflader, når der udføres et arbejde, hvor skæretilbehøret kan komme i kontakt med skjulte ledninger eller maskinens egen ledning.** Skæretilbehør, som kommer i kontakt med en strømførende ledning, kan gøre maskinens ikke-isolerede metaldele strømførende, hvilket kan give operatøren elektrisk stød.
3. **Vær altid sikker på, at De har et godt fodfæste. Vær sikker på, at der ikke befinder sig nogen nedenunder, når maskinen anvendes i højden.**
4. **Hold godt fast i maskinen.**
5. **Hold hænderne væk fra roterende dele.**
6. **Lad ikke maskinen køre i tomgang. Anvend kun maskinens håndholdt.**
7. **Rør ikke ved borebitten eller arbejdsstykket umiddelbart efter arbejdet, da de kan være meget varme og give hudforbrændinger.**
8. **Nogle materialer indeholder kemikalier, som kan være giftige. Vær påpasselig med at forhindre inhalering af støv og hudkontakt. Følg materiale-leverandørens sikkerhedsdata.**
9. **Hvis borebitten ikke kan løsnes, selvom du åbner kæberne, skal du bruge en tang til at trække den ud.** Hvis du i et sådant tilfælde trækker borebitten ud i hånden, kan det medføre personskade på grund af dens skarpe kant.

### Sikkerhedsinstruktioner ved brug af lange borebits

1. **Må aldrig anvendes ved en højere hastighed end den maksimale hastighedsnormering for borebitten.** Ved højere hastigheder er det sandsynligt, at bitten bøjer, hvis den tillades at dreje frit uden kontakt med arbejdsemnet, hvilket resulterer i personskade.
2. **Start altid boring ved lav hastighed og med spidsen af bitten i kontakt med arbejdsemnet.** Ved højere hastigheder er det sandsynligt, at bitten bøjer, hvis den tillades at dreje frit uden kontakt med arbejdsemnet, hvilket resulterer i personskade.

3. **Tryk kun direkte i bittens retning og anvend ikke for meget tryk.** Bits kan bøje og forårsage brud eller tab af kontrollen, hvilket kan medføre personskade.

## GEM DISSE FORSKRIFTER.

**⚠ ADVARSEL:** LAD IKKE bekvemmelighed eller kendskab til produktet (opnået gennem gentagen brug) forhindre, at sikkerhedsforskrifterne for produktet nøje overholdes. MISBRUG eller forsømmelse af at følge de i denne brugsvejledning givne sikkerhedsforskrifter kan medføre alvorlig personskade.

## FUNKTIONSBESKRIVELSE

**⚠ FORSIGTIG:** Kontrollér altid, at maskinen er slået fra, og at netstikket er trukket ud, før der udføres justeringer, eller funktioner kontrolleres på maskinen.

## Afbryderbetjening

**⚠ FORSIGTIG:** Før maskinen sættes i stikkontakten, skal De altid kontrollere, at afbryderknappen fungerer korrekt og returnerer til "OFF"-positionen, når den slippes.

- Fig. 1: 1. Låseknop 2. Hastighedskontrolskruer  
3. Afbryderknop 4. Højere 5. Lavere

For at starte maskinen skal De blot trykke på afbryderknappen. Maskinens hastighed øges ved øget tryk på afbryderknappen. Slip afbryderknappen for at stoppe. For kontinuerlig brug skal du trykke på afbryderknappen og derefter skubbe låseknappen ind. For at stoppe maskinen fra låst position skal du trykke afbryderknappen helt ind og derefter slippe den. Maskinen er udstyret med en hastighedskontrolskruer, så den maksimale maskinhastighed kan begrænses (variabel). Drej hastighedskontrolskruen med uret for højere hastighed og mod uret for lavere hastighed.

## Omløbsvælgerbetjening

**⚠ FORSIGTIG:** Kontrollér altid omløbsretningen, inden arbejdet påbegyndes.

**⚠ FORSIGTIG:** Flyt kun omløbsvælgeren, når maskinen er helt standset. Hvis omløbsretningen ændres, inden maskinen er helt stoppet, kan det beskadige maskinen.

- Fig. 2: 1. Omløbsvælger

Denne maskine har en omløbsvælger til ændring af omløbsretningen. Flyt omløbsvælgeren til ← positionen (A-side) for rotation med uret eller til → positionen (Bside) for rotation mod uret.

## Hastighedsændring

► **Fig.3:** 1. Pil 2. Hastighedsvælgerknap

Der kan forudindstilles to hastighedsintervaller ved hjælp af hastighedsvælgerknappen. Hvis du vil skifte hastighed, skal du dreje hastighedsvælgerknappen, så pilen på maskinen peger mod position "I" på knappen for lav hastighed eller position "II" for høj hastighed.

Hvis det er svært at dreje knappen, skal du først dreje patronen en smule i en hvilken som helst retning og derefter dreje knappen igen.

**⚠FORSIGTIG:** Brug kun hastighedsvælgerknappen, efter at maskinen er stoppet helt. Hvis maskinens hastighed ændres, før maskinen er stoppet, kan det beskadige maskinen.

**⚠FORSIGTIG:** Sæt altid hastighedsvælgerknappen på den korrekte position. Hvis maskinen anvendes med hastighedsvælgerknappen sat halvejs mellem position "I" og "II", kan maskinen lide skade.

## SAMLING

**⚠FORSIGTIG:** Sørg altid for, at maskinen er slukket og taget ud af forbindelse, inden der udføres nogen form for arbejde på maskinen.

## Montering af sidehåndtaget (ekstra håndtag)

► **Fig.4:** 1. Håndtagsbase 2. Sidehåndtag (ekstra håndtag) 3. Tænder 4. Fremspring

Brug altid sidehåndtaget til at sørge for sikkerhed under brugen. Monter sidehåndtaget, så tænderne på håndtaget passer ind i fremspringene på maskinens tromle. Stram derefter håndtaget ved at dreje i retning med uret på den ønskede position.

**BEMÆRK:** Dybdemåleren kan ikke anvendes i den position, hvor dybdemåleren støder mod maskinen.

## Isætning eller fjernelse af borebit

**⚠FORSIGTIG:** Kontroller altid, at der er slukket for maskinen, og at den er taget ud af forbindelse, før borebitten isættes eller fjernes.

## For model DP4010

► **Fig.5:** 1. Patronnøgle

For at isætte borebitten sættes den så langt ind i borepatronen, som den kan komme. Stram patronen i hånden. Sæt patronnøglen i hvert af de tre huller, og stram i retningen med uret. Sørg for at stramme alle tre patronhuller ligeligt.

For at fjerne borebitten drejes patronnøglen i retningen mod uret i kun et af hullerne. Løsn derefter patronen i hånden.

Når patronnøglen er blevet anvendt, skal den sættes tilbage i den oprindelige position.

## For model DP4011

► **Fig.6:** 1. Muffe 2. Ring

Hold ringen, og drej muffen i retningen mod uret for at åbne patronkæberne. Sæt borebitten så langt ind i borepatronen, som den kan komme. Hold fast i ringen, og drej muffen i retningen med uret for at stramme patronen.

For at fjerne borebitten skal du holde i ringen og dreje muffen i retningen mod uret.

## Dybdemåler

### Ekstraudstyr

Dybdemåleren er praktisk til at bore huller med den samme dybde. Løsn sidehåndtaget, og isæt dybdemåleren i hullet på sidehåndtaget. Juster dybdemåleren, så den har den ønskede dybde, og spænd derefter sidehåndtaget godt til.

► **Fig.7:** 1. Dybdemåler

**BEMÆRK:** Dybdemåleren kan ikke anvendes i den position, hvor dybdemåleren støder mod maskinen.

## ANVENDELSE

### Sådan holdes maskinen

► **Fig.8**

Brug altid sidehåndtaget (ekstra håndtag), og hold godt fast i maskinen i sidehåndtaget og kontakthåndtaget under brug.

## Boring

### Boring i træ

Når der bores i træ, opnås det bedste resultat med træbor, som er udstyret med en ledeskrue. Ledeskruen gør boring nemmere ved at trække borebitten ind i arbejdsstykket.

### Boring i metal

For at forhindre borebitten i at glide, når man begynder på et hul, skal man lave et hak med en kørner og en hammer på det punkt, hvor der skal bores. Anbring spidsen af borebitten i hakket og begynd boringen. Brug skæresmørelse, når der bores i metal. Undtagelserne er jern og messing, som skal tørbores.

## EKSTRAUDSTYR

**⚠FORSIGTIG:** Et kraftigere tryk på maskinen vil ikke gøre boringen hurtigere. Faktisk vil et kraftigere tryk kun føre til skade på spidsen af borebitten, nedsætte maskinen ydelse og afkorte maskinens levetid.

**⚠FORSIGTIG:** Hold godt fast i maskinen og udvis forsigtighed, når borebitten begynder at bryde igennem arbejdsstykket. Maskinen/borebitten udsættes for en kraftig påvirkning på det tidspunkt, hvor der brydes igennem hullet.

**⚠FORSIGTIG:** En borebit, der har sat sig fast, kan fjernes ved at man ganske enkelt sætter omløbsvælgeren til baglæns rotation for at bakke ud. Imidlertid kan maskinen pludselig bakke ud, hvis man ikke holder godt fast i den.

**⚠FORSIGTIG:** Fastgør altid arbejdsemner i en skruestik eller lignende udstyr til fastgørelse.

**⚠FORSIGTIG:** Undgå at bore i materiale, som du har mistanke om indeholder skjulte søm eller andre genstande, der kan få borebitten til at sidde fast eller gå i stykker.

**⚠FORSIGTIG:** Det følgende tilbehør og ekstraudstyr er anbefalet til brug med Deres Makita maskine, der er beskrevet i denne brugsanvisning. Anvendelse af andet tilbehør eller ekstraudstyr kan udgøre en risiko for personskade. Anvend kun tilbehør og ekstraudstyr til det beskrevne formål.

Hvis De behøver hjælp ved valg af tilbehør eller ønsker yderligere informationer, bedes De kontakte Deres lokale Makita servicecenter.

- Borebits
- Hulsave
- Nøglefri borepatron
- Patronnøgle
- Grebsmontering
- Dybdemåler
- Plastikbæretaske

**BEMÆRK:** Nogle ting på denne liste kan være inkluderet i værktøjspakken som standardtilbehør. Det kan være forskellige fra land til land.

## VEDLIGEHOJDELSE

**⚠FORSIGTIG:** Kontrollér altid, at der er slukket for maskinen, og at netstikket er trukket ud, før der udføres eftersyn eller vedligeholdelse.

**BEMÆRKNING:** Anvend aldrig benzin, rensebenzin, fortynder, alkohol og lignende. Det kan medføre misfarvning, deformering eller revner.

## Rengøring af ventilationshuller

► **Fig.9:** 1. Ventilationshuller

Maskinen og dens ventilationsåbninger skal altid holdes rene. Rengør maskinens ventilationsåbninger med jævne mellemrum eller når ventilationsåbningerne begynder at blive tilstoppede.

For at opretholde produktets SIKKERHED og PALIDELIGHED må reparation, inspektion og udskiftning af kulbørster samt al anden vedligeholdelse eller justering kun udføres af et autoriseret Makita servicecenter eller fabrikksservicecenter med anvendelse af Makita reservedele.

## ΠΡΟΔΙΑΓΡΑΦΕΣ

| Μοντέλο:                 |        | DP4010 / DP4011             |                             |
|--------------------------|--------|-----------------------------|-----------------------------|
| Ταχύτητα                 |        | Υψηλή                       | Χαμηλή                      |
| Ικανότητες τρυπάνισματος | Ατσάλι | 8 mm                        | 13 mm                       |
|                          | Ξύλο   | 25 mm                       | 40 mm                       |
| Ταχύτητα χωρίς φορτίο    |        | 0 - 2.900 min <sup>-1</sup> | 0 - 1.200 min <sup>-1</sup> |
| Συνολικό μήκος           |        | 347 mm                      |                             |
| Καθαρό βάρος             |        | 2,3 kg                      |                             |
| Κατηγορία ασφάλειας      |        | ⊠/II                        |                             |

- Λόγω του συνεχόμενου προγράμματος που εφαρμόζουμε για έρευνα και ανάπτυξη, τα τεχνικά χαρακτηριστικά στο παρόν έντυπο υπόκεινται σε αλλαγή χωρίς προειδοποίηση.
- Τα τεχνικά χαρακτηριστικά μπορεί να διαφέρουν από χώρα σε χώρα.
- Βάρος σύμφωνα με διαδικασία ΕΡΤΑ 01/2014

### Προοριζόμενη χρήση

Το εργαλείο προορίζεται για τρυπάνισμα σε ξύλο, μέταλλο και πλαστικό.

### Ηλεκτρική παροχή

Το εργαλείο πρέπει να συνδέεται μόνο με ηλεκτρική παροχή της ίδιας τάσης με αυτή που αναγράφεται στην πινακίδα ονομαστικών τιμών και μπορεί να λειτουργήσει μόνο με εναλλασσόμενο μονοφασικό ρεύμα. Υπάρχει διπλή μόνωση και κατά συνέπεια, μπορεί να γίνει σύνδεση σε ακροδέκτες χωρίς σύρμα γείωσης.

### Θορύβος

Το τυπικό Α επίπεδο καταμετρημένου θορύβου καθορίζεται σύμφωνα με το EN62841-2-1:  
Στάθμη ηχητικής πίεσης ( $L_{pA}$ ): 83 dB (A)  
Στάθμη ηχητικής ισχύος ( $L_{WA}$ ): 91 dB (A)  
Αβεβαιότητα (K): 3 dB (A)

**ΠΑΡΑΤΗΡΗΣΗ:** Η δηλωμένη τιμή(ές) εκπομπής θορύβου έχει μετρηθεί σύμφωνα με την πρότυπη μέθοδο δοκιμής και μπορεί να χρησιμοποιηθεί για τη σύγκριση ενός εργαλείου με κάποιο άλλο.

**ΠΑΡΑΤΗΡΗΣΗ:** Η δηλωμένη τιμή(ές) εκπομπής θορύβου μπορεί να χρησιμοποιηθεί και στην προκαταρκτική αξιολόγηση της έκθεσης.

**▲ΠΡΟΕΙΔΟΠΟΙΗΣΗ:** Να φοράτε ωτοασπίδες.

**▲ΠΡΟΕΙΔΟΠΟΙΗΣΗ:** Η εκπομπή θορύβου κατά τη χρήση του ηλεκτρικού εργαλείου σε πραγματικές συνθήκες μπορεί να διαφέρει από τη δηλωμένη τιμή(ές) ανάλογα με τους τρόπους χρήσης του εργαλείου, ιδιαίτερα το είδος του τεμαχίου εργασίας που υπόκειται επεξεργασία.

**▲ΠΡΟΕΙΔΟΠΟΙΗΣΗ:** Φροντίστε να λάβετε τα κατάλληλα μέτρα προστασίας του χειριστή βάσει ενός υπολογισμού της έκθεσης σε πραγματικές συνθήκες χρήσης (λαμβάνοντας υπόψη όλες τις συνιστώσες του κύκλου λειτουργίας όπως τους χρόνους που το εργαλείο είναι εκτός λειτουργίας και όταν βρίσκεται σε αδρανή λειτουργία πέραν του χρόνου ενεργοποίησης).

### Κραδασμός

Η ολική τιμή δόνησης (άθροισμα τρι-αξονικού διανύσματος) καθορίζεται σύμφωνα με το EN62841-2-1: Είδος εργασίας: τρυπάνισμα σε μέταλλο  
Εκπομπή δόνησης ( $a_{hD}$ ): 2,5 m/s<sup>2</sup> ή λιγότερο  
Αβεβαιότητα (K): 1,5 m/s<sup>2</sup>

**ΠΑΡΑΤΗΡΗΣΗ:** Η δηλωμένη τιμή(ές) συνολικών κραδασμών έχει μετρηθεί σύμφωνα με την πρότυπη μέθοδο δοκιμής και μπορεί να χρησιμοποιηθεί για τη σύγκριση ενός εργαλείου με κάποιο άλλο.

**ΠΑΡΑΤΗΡΗΣΗ:** Η δηλωμένη τιμή(ές) συνολικών κραδασμών μπορεί να χρησιμοποιηθεί και στην προκαταρκτική αξιολόγηση της έκθεσης.

**⚠️ ΠΡΟΕΙΔΟΠΟΙΗΣΗ:** Η εκπομπή κραδασμών κατά τη χρήση του ηλεκτρικού εργαλείου σε πραγματικές συνθήκες μπορεί να διαφέρει από τη δηλωμένη τιμή(ές) εκπομπής ανάλογα με τους τρόπους χρήσης του εργαλείου, ιδιαίτερα το είδος του τεμαχίου εργασίας που υπόκειται επεξεργασία.

**⚠️ ΠΡΟΕΙΔΟΠΟΙΗΣΗ:** Φροντίστε να λάβετε τα κατάλληλα μέτρα προστασίας του χειριστή βάσει ενός υπολογισμού της έκθεσης σε πραγματικές συνθήκες χρήσης (λαμβάνοντας υπόψη όλες τις συνιστώσες του κύκλου λειτουργίας όπως τους χρόνους που το εργαλείο είναι εκτός λειτουργίας και όταν βρίσκεται σε αδρανή λειτουργία πέραν του χρόνου ενεργοποίησης).

## Δήλωση Συμμόρφωσης

*Μόνο για χώρες της Ευρώπης*

Οι Δήλωσης Συμμόρφωσης περιλαμβάνονται στο Παράρτημα Α στο παρόν εγχειρίδιο οδηγιών.

## ΠΡΟΕΙΔΟΠΟΙΗΣΕΙΣ ΑΣΦΑΛΕΙΑΣ

### Γενικές προειδοποιήσεις ασφαλείας για το ηλεκτρικό εργαλείο

**⚠️ ΠΡΟΕΙΔΟΠΟΙΗΣΗ:** Διαβάστε όλες τις προειδοποιήσεις ασφαλείας, οδηγίες, εικονογραφίες και προδιαγραφές που παρέχονται με αυτό το ηλεκτρικό εργαλείο. Η μη τήρηση όλων των οδηγιών που αναγράφονται κατωτέρω μπορεί να καταλήξει σε ηλεκτροπληξία, πυρκαγιά ή/και σοβαρό τραυματισμό.

### Φυλάξτε όλες τις προειδοποιήσεις και τις οδηγίες για μελλοντική παραπομπή.

Στις προειδοποιήσεις, ο όρος «ηλεκτρικό εργαλείο» αναφέρεται σε ηλεκτρικό εργαλείο που τροφοδοτείται από την κύρια παροχή ηλεκτρικού ρεύματος (με ηλεκτρικό καλώδιο) ή σε ηλεκτρικό εργαλείο που τροφοδοτείται από μπαταρία (χωρίς ηλεκτρικό καλώδιο).

### Προειδοποιήσεις ασφαλείας για το τρυπάνι

Οδηγίες ασφαλείας για όλες τις εργασίες

1. **Να χρησιμοποιείτε τη(ις) βοηθητική(ές) λαβή(ές).** Η απώλεια του ελέγχου μπορεί να προκαλέσει προσωπικό τραυματισμό.
2. **Να κρατάτε το ηλεκτρικό εργαλείο από τις λαβές με μόνωση όταν εκτελείτε εργασίες κατά τις οποίες το εξάρτημα κοπής μπορεί να έρθει σε επαφή με κρυμμένα καλώδια ή με το ίδιο του το καλώδιο.** Σε περίπτωση επαφής του εξαρτήματος κοπής με ηλεκτροφόρο καλώδιο, μπορεί να εκτεθειμένα μεταλλικά εξαρτήματα του ηλεκτρικού εργαλείου να καταστούν τα ίδια ηλεκτροφόρα και να προκαλέσουν ηλεκτροπληξία στο χειριστή.

3. **Να βεβαιώνετε πάντοτε ότι στέκεστε σταθερά.** Όταν χρησιμοποιείτε το εργαλείο σε υψηλές τοποθεσίες, να βεβαιώνετε ότι δεν βρίσκεται κανένας από κάτω.
4. **Κρατήστε το εργαλείο σταθερά.**
5. **Μην πλησιάζετε τα χέρια σας σε περιστρεφόμενα μέρη.**
6. **Μην αφήνετε το εργαλείο σε λειτουργία.** Το εργαλείο πρέπει να βρίσκεται σε λειτουργία μόνο όταν το κρατάτε.
7. **Μην αγγίζετε τη μύτη τρυπανιού ή το τεμάχιο εργασίας αμέσως μετά τη λειτουργία του εργαλείου.** Μπορεί να είναι εξαιρετικά θερμά και να προκαλέσει έγκαυμα στο δέρμα σας.
8. **Μερικά υλικά περιέχουν χημικά που μπορεί να είναι τοξικά.** Προσέχετε ώστε να αποφεύγετε την εισπνοή σκόνης και την επαφή με το δέρμα. Ακολουθείτε τα δεδομένα ασφαλείας υλικού που παρέχονται από τον προμηθευτή.
9. **Αν η μύτη τρυπανιού δεν μπορεί να χαλαρώσει ακόμη κι αν ανοίξετε τις σιαγόνες, χρησιμοποιήστε τανάλια για να την τραβήξετε.** Σε αυτή την περίπτωση, αν τραβήξετε τη μύτη τρυπανιού με το χέρι σας, μπορεί να έχει ως αποτέλεσμα τραυματισμό από το κοφτερό άκρο της.

Οδηγίες ασφαλείας όταν χρησιμοποιείτε μακριές μύτες τρυπανιού

1. **Μην θέσετε σε λειτουργία σε υψηλότερη ταχύτητα από τη μέγιστη ονομαστική ταχύτητα μύτης τρυπανιού.** Σε υψηλότερες ταχύτητες, η μύτη είναι πιθανό να λυγίσει αν επιτραπεί να περιστραφεί ελεύθερα χωρίς να έρχεται σε επαφή με το τεμάχιο εργασίας, έχοντας ως αποτέλεσμα προσωπικό τραυματισμό.
2. **Να αρχίζετε πάντα να τρυpanίζετε σε χαμηλή ταχύτητα και με τη μύτη τρυpanίσματος σε επαφή με το τεμάχιο εργασίας.** Σε υψηλότερες ταχύτητες, η μύτη είναι πιθανό να λυγίσει αν επιτραπεί να περιστραφεί ελεύθερα χωρίς να έρχεται σε επαφή με το τεμάχιο εργασίας, έχοντας ως αποτέλεσμα προσωπικό τραυματισμό.
3. **Να ασκείτε πίεση μόνο σε ευθεία γραμμή με τη μύτη και μην ασκείτε υπερβολική πίεση.** Οι μύτες μπορούν να λυγίσουν προκαλώντας σπασίμο ή απώλεια ελέγχου, έχοντας ως αποτέλεσμα προσωπικό τραυματισμό.

## ΦΥΛΑΞΕΤΕ ΑΥΤΕΣ ΤΙΣ ΟΔΗΓΙΕΣ.

**⚠️ ΠΡΟΕΙΔΟΠΟΙΗΣΗ:** ΜΗΝ επιτρέψετε στην άνεση ή στην εξοικειώσή σας με το προϊόν (που αποκτήθηκε από επανειλημμένη χρήση) να αντικαταστήσει την αυστηρή τήρηση των κανόνων ασφαλείας του παρόντος εργαλείου. Η **ΛΑΝΘΑΣΜΕΝΗ ΧΡΗΣΗ** ή η αμέλεια να ακολουθήσετε τους κανόνες ασφαλείας που διατυπώνονται στο παρόν εγχειρίδιο οδηγιών μπορεί να προκαλέσει σοβαρό προσωπικό τραυματισμό.

## ΠΕΡΙΓΡΑΦΗ ΛΕΙΤΟΥΡΓΙΑΣ

**⚠ ΠΡΟΣΟΧΗ:** Να βεβαιώνεστε πάντα ότι το εργαλείο είναι σβηστό και αποσυνδεδεμένο από την ηλεκτρική παροχή πριν ρυθμίσετε ή ελέγχετε κάποια λειτουργία του.

### Δράση διακόπτη

**⚠ ΠΡΟΣΟΧΗ:** Πριν από τη σύνδεση του εργαλείου στην ηλεκτρική παροχή, να ελέγχετε πάντα ότι η σκανδάλη διακόπτης ενεργοποιείται σωστά και επιστρέφει στη θέση «OFF» όταν την αφήνετε.

- **Εικ. 1:** 1. Κομπτί ασφάλισης 2. Βίδα ελέγχου ταχύτητας 3. Σκανδάλη διακόπτης 4. Υψηλότερη 5. Χαμηλότερη

Για να ξεκινήσετε το εργαλείο, απλώς τραβήξτε τη σκανδάλη διακόπτη. Η ταχύτητα του εργαλείου αυξάνει αν αυξήσετε την πίεση στη σκανδάλη-διακόπτη. Για διακοπή της λειτουργίας, ελευθερώστε τη σκανδάλη-διακόπτη.

Για συνεχόμενη λειτουργία, τραβήξτε τη σκανδάλη διακόπτη και μετά πατήστε το κομπτί ασφάλισης.

Για να σταματήσετε το εργαλείο από την ασφαλισμένη θέση, τραβήξτε πλήρως τη σκανδάλη διακόπτη και μετά αφήστε την.

Παρέχεται μια βίδα ελέγχου ταχύτητας για να μπορείτε να περιορίσετε ή μέγιστη ταχύτητα του εργαλείου (μεταβλητή). Περιτρέψτε τη βίδα ελέγχου ταχύτητας δεξιόστροφα για υψηλότερη ταχύτητα και αριστερόστροφα για χαμηλότερη ταχύτητα.

### Δράση διακόπτη αντιστροφής

**⚠ ΠΡΟΣΟΧΗ:** Να ελέγχετε πάντα τη διεύθυνση περιστροφής πριν από τη λειτουργία.

**⚠ ΠΡΟΣΟΧΗ:** Να χρησιμοποιείτε τον διακόπτη αντιστροφής μόνο αφού το εργαλείο σταματήσει εντελώς. Η αλλαγή της διεύθυνσης περιστροφής πριν σταματήσει το εργαλείο μπορεί να προκαλέσει ζημιά στο εργαλείο.

- **Εικ. 2:** 1. Μοχλός διακόπτης αντιστροφής

Αυτό το εργαλείο έχει ένα διακόπτη αντιστροφής για να αλλάξει τη διεύθυνση περιστροφής. Μετακινήστε το μοχλό διακόπτη αντιστροφής στη θέση ← (πλευρά Α) για δεξιόστροφη περιστροφή ή στη θέση → (πλευρά Β) για αριστερόστροφη περιστροφή.

### Αλλαγή ταχύτητας

- **Εικ. 3:** 1. Βέλος 2. Κομβίο αλλαγής ταχύτητας

Η προεπιλογή των δύο ευρών ταχυτήτων είναι εφικτή μέσω του κομβίου αλλαγής ταχύτητας. Για να αλλάξετε την ταχύτητα, γυρίστε το κομβίο αλλαγής ταχύτητας με τρόπο ώστε το βέλος στο σώμα του εργαλείου να είναι στραμμένο προς τη θέση «I» στο κομβίο για χαμηλή ταχύτητα ή στη θέση «II» για υψηλή ταχύτητα. Αν είναι δύσκολο να γυρίσετε το κομβίο, πρώτα γυρίστε τον σφικκτήρα ελαφρά προς οποιαδήποτε κατεύθυνση και μετά γυρίστε ξανά το κομβίο.

**⚠ ΠΡΟΣΟΧΗ:** Χρησιμοποιείτε το κομβίο αλλαγής ταχύτητας μόνο αφού το εργαλείο σταματήσει εντελώς. Η αλλαγή της ταχύτητας του εργαλείου πριν το εργαλείο σταματήσει μπορεί να προκαλέσει ζημιά στο εργαλείο.

**⚠ ΠΡΟΣΟΧΗ:** Να ρυθμίζετε πάντα το κομβίο αλλαγής ταχύτητας στη σωστή θέση. Αν χειρίζεστε το εργαλείο όταν το κομβίο αλλαγής ταχύτητας βρίσκεται στα μισά μεταξύ της θέσης «I» και της θέσης «II», μπορεί να προκληθεί ζημιά στο εργαλείο.

## ΣΥΝΑΡΜΟΛΟΓΗΣΗ

**⚠ ΠΡΟΣΟΧΗ:** Να βεβαιώνεστε πάντα ότι το εργαλείο είναι σβηστό και αποσυνδεδεμένο από την ηλεκτρική παροχή πριν εκτελέσετε οποιαδήποτε εργασία σε αυτό.

### Τοποθέτηση πλάγιας λαβής (βοηθητική λαβή)

- **Εικ. 4:** 1. Βάση λαβής 2. Πλάγια λαβή (βοηθητική λαβή) 3. Δόντια 4. Προεξοχή

Να χρησιμοποιείτε πάντα την πλάγια λαβή, ώστε να διασφαλίζεται η ασφαλής λειτουργία. Τοποθετήστε την πλάγια λαβή έτσι ώστε τα δόντια στη λαβή να εφαρμόζουν μεταξύ των προεξοχών στον κύλινδρο του εργαλείου. Μετά, σφίξτε καλά τη λαβή στην επιθυμητή θέση περιστρέφοντάς τη δεξιόστροφα.

**ΠΑΡΑΤΗΡΗΣΗ:** Ο μετρητής βάθους δεν μπορεί να χρησιμοποιηθεί στη θέση όπου ο μετρητής βάθους χτυπάει επάνω στο σώμα του εργαλείου.

### Τοποθέτηση ή αφαίρεση μύτης τρυπανιού

**⚠ ΠΡΟΣΟΧΗ:** Να βεβαιώνεστε πάντα ότι το εργαλείο είναι σβηστό και αποσυνδεδεμένο από το ρεύμα πριν τοποθετήσετε ή αφαιρέσετε τη μύτη τρυπανιού.

### Για το μοντέλο DP4010

- **Εικ. 5:** 1. Κλειδί σφικκτήρα

Για να τοποθετήσετε μια μύτη τρυπανιού, τοποθετήστε τη στο σφικκτήρα τρυπανιού όσο περισσότερο γίνεται. Σφίξτε το σφικκτήρα με το χέρι. Τοποθετήστε το κλειδί σφικκτήρα σε κάθε μία από τις τρεις οπές και σφίξτε δεξιόστροφα. Βεβαιωθείτε να σφίξτε ομοιόμορφα και τις τρεις οπές του σφικκτήρα.

Για να βγάλετε τη μύτη τρυπανιού, περιστρέψτε αριστερόστροφα το κλειδί σφικκτήρα τρυπανιού σε μία μόνο οπή και κατόπιν ξεσφίξτε το σφικκτήρα με το χέρι.

Αφού χρησιμοποιήσετε το κλειδί σφικκτήρα, βεβαιωθείτε να το επιστρέψετε στην αρχική θέση του.

## Για το μοντέλο DP4011

► **Εικ.6:** 1. Τσοκ 2. Δακτύλιος

Κρατήστε το δακτύλιο και γυρίστε το τσοκ αριστερόστροφα για να ανοίξετε τις σιαγόνες του σφιγκτήρα. Τοποθετήστε τη μύτη τρυπανιού μέσα στο σφιγκτήρα τρυπανιού μέχρι τέρμα. Κρατήστε σταθερά το δακτύλιο και γυρίστε το τσοκ δεξιόστροφα για να σφίξετε το σφιγκτήρα.

Για να αφαιρέσετε τη μύτη τρυπανιού, κρατήστε το δακτύλιο και γυρίστε το τσοκ αριστερόστροφα.

### Ρυθμιστής βάθους

#### Προαιρετικό εξάρτημα

Ο ρυθμιστής βάθους διευκολύνει τη διάνοιξη οπών ομοιόμορφου βάθους. Χαλαρώστε την πλευρική λαβή και τοποθετήστε τον ρυθμιστή βάθους στην οπή στην πλευρική λαβή. Ρυθμίστε τον ρυθμιστή βάθους στο επιθυμητό βάθος και σφίξτε καλά την πλευρική λαβή.

► **Εικ.7:** 1. Ρυθμιστής βάθους

**ΠΑΡΑΤΗΡΗΣΗ:** Ο μετρητής βάθους δεν μπορεί να χρησιμοποιηθεί στη θέση όπου ο μετρητής βάθους χτυπάει επάνω στο σώμα του εργαλείου.

## ΛΕΙΤΟΥΡΓΙΑ

### Κράτημα εργαλείου

► **Εικ.8**

Να χρησιμοποιείτε πάντα την πλάγια λαβή (βοηθητική λαβή) και να κρατάτε σταθερά το εργαλείο από την πλάγια λαβή και τη λαβή διακόπτη κατά την εκτέλεση των εργασιών.

### Λειτουργία τρυπανιού

#### Τρυπάνισμα ξύλου

Όταν τρυπανίζετε σε ξύλο, έχετε καλύτερα αποτελέσματα με μύτες για ξύλο εξοπλισμένες με βίδα οδήγησης. Η βίδα οδήγησης κάνει το τρυπάνισμα ευκολότερο επειδή τραβάει τη μύτη τρυπανιού μέσα στο τεμάχιο εργασίας.

#### Τρυπάνισμα σε μέταλλο

Για να μην ολισθήσει μια μύτη τρυπανιού όταν ξεκινάτε τη δημιουργία μιας οπής, κάντε ένα κοίλωμα με πόντα και σφυρί στο σημείο όπου θα τρυπανίσετε. Τοποθετήστε τη μύτη τρυπανιού στο κοίλωμα και ξεκινήστε το τρυπάνισμα.

Όταν τρυπανίζετε μέταλλα, χρησιμοποιήστε λιπαντικό κοπής. Εξάιρεση αποτελούν το σίδηρο και ο χάλυβας τα οποία θα πρέπει να τρυπανίζετε στεγνά.

**▲ΠΡΟΣΟΧΗ:** Η υπερβολική πίεση στο εργαλείο δεν επιταχύνει τη διάτρηση. Στην πραγματικότητα, αυτή η υπερβολική πίεση προκαλεί ζημία στο άκρο της μύτης τρυπανιού, μείωση της απόδοσης όπως και της διάρκειας ζωής του εργαλείου.

**▲ΠΡΟΣΟΧΗ:** Κρατήστε σταθερά το εργαλείο και προσέχετε ιδιαίτερα τη στιγμή που η μύτη τρυπανιού διέρχεται από το άλλο άκρο της οπής. Ασκείται τεράστια δύναμη στο εργαλείο/μύτη τρυπανιού τη στιγμή που διαπερνάει η οπή.

**▲ΠΡΟΣΟΧΗ:** Μπορείτε να αφαιρέσετε μια μπλοκαρισμένη μύτη τρυπανιού με απλή ρύθμιση του διακόπτη αντιστροφής στη θέση αντιστροφής περιστροφής, ώστε η μύτη να οπισθοχωρήσει. Ωστόσο, το εργαλείο μπορεί να οπισθοχωρήσει έξω από την οπή απότομα, αν δεν το κρατάτε σταθερά.

**▲ΠΡΟΣΟΧΗ:** Να ασφαρίζετε πάντα τα τεμάχια εργασίας σε μέγερνη ή παρόμοια διάταξη συγκράτησης.

**▲ΠΡΟΣΟΧΗ:** Αποφεύγετε το τρυπάνισμα σε υλικά που υποπτεύεστε ότι περιέχουν κρυφά καρφιά ή άλλα αντικείμενα που μπορεί να προκαλέσουν την εμπλοκή ή τη θραύση της μύτης τρυπανιού.

## ΣΥΝΤΗΡΗΣΗ

**▲ΠΡΟΣΟΧΗ:** Να βεβαιώνετε πάντα ότι το εργαλείο είναι σβηστό και αποσυνδεδεμένο από την ηλεκτρική παροχή πριν εκτελέσετε οποιαδήποτε εργασία επιθεώρησης ή συντήρησης σε αυτό.

**ΕΙΔΟΠΟΙΗΣΗ:** Μην χρησιμοποιείτε ποτέ βενζίνη, πετρελαϊκό αιθέρα, διαλυτικό, αλκοόλη ή παρόμοιες ουσίες. Μπορεί να προκληθεί αποχρωματισμός, παραμόρφωση ή ρωγμές.

### Καθαρισμός οπών εξαιρισμού

► **Εικ.9:** 1. Οπές εξαιρισμού

Το εργαλείο και οι οπές εξαιρισμού του πρέπει να διατηρούνται καθαρά. Να καθαρίζετε τακτικά τις οπές εξαιρισμού του εργαλείου ή όταν αυτά αρχίσουν να φράσσονται.

Για να διατηρήσετε την ΑΣΦΑΛΕΙΑ και ΑΞΙΟΠΙΣΤΙΑ του προϊόντος, οι επισκευές, έλεγχος και αντικατάσταση καρβουνακιού, καθώς και οποιαδήποτε άλλη εργασία συντήρησης ή ρύθμισης πρέπει να εκτελούνται από εξουσιοδοτημένα ή εργοστασιακά κέντρα εξυπηρέτησης της Makita, πάντα χρησιμοποιώντας ανταλλακτικά της Makita.

# ΠΡΟΑΙΡΕΤΙΚΑ ΕΞΑΡΤΗΜΑΤΑ

**⚠ ΠΡΟΣΟΧΗ:** Αυτά τα εξαρτήματα ή προσαρτήματα συνιστώνται για χρήση με το εργαλείο Makita που περιγράφηκε στις οδηγίες αυτές. Η χρήση οποιωνδήποτε άλλων εξαρτημάτων ή προσαρτημάτων μπορεί να προκαλέσει κίνδυνο τραυματισμού σε άτομα. Να χρησιμοποιείτε τα εξαρτήματα ή προσαρτήματα μόνο για την χρήση που προορίζονται.

Εάν χρειάζεστε οποιαδήποτε βοήθεια για περισσότερες πληροφορίες σε σχέση με αυτά τα εξαρτήματα, αποτανθείτε στο τοπικό σας κέντρο εξυπηρέτησης Makita.

- Μύτες τρυπανιού
- Πριόνια διάνοιξης οπών
- Σφιγκτήρας τρυπανιού χωρίς κλειδί
- Κλειδί σφιγκτήρα
- Διάταξη λαβής
- Ρυθμιστής βάθους
- Πλαστική θήκη μεταφοράς

**ΠΑΡΑΤΗΡΗΣΗ:** Μερικά στοιχεία στη λίστα μπορεί να συμπεριλαμβάνονται στη συσκευασία εργαλείου ως στάνταρ εξαρτήματα. Μπορεί να διαφέρουν ανάλογα με τη χώρα.

## TEKNİK ÖZELLİKLER

| Model:             |       | DP4010 / DP4011             |                             |
|--------------------|-------|-----------------------------|-----------------------------|
| Hız                |       | Yüksek                      | Düşük                       |
| Delme kapasiteleri | Çelik | 8 mm                        | 13 mm                       |
|                    | Tahta | 25 mm                       | 40 mm                       |
| Yüksüz hız         |       | 0 - 2.900 min <sup>-1</sup> | 0 - 1.200 min <sup>-1</sup> |
| Toplam uzunluk     |       | 347 mm                      |                             |
| Net ağırlık        |       | 2,3 kg                      |                             |
| Emniyet sınırı     |       | □/                          |                             |

- Sürekli yapılan araştırma ve geliştirmelerden dolayı, burada belirtilen özellikler önceden bildirilmeksizin değiştirilebilir.
- Özellikler ülkeden ülkeye değişebilir.
- EPTA-Prosedürü 01/2014 uyarınca ağırlık

### Kullanım amacı

Bu alet tahta, metal ve plastik malzemede delik açmak için tasarlanmıştır.

### Güç kaynağı

Aletin, yalnızca isim levhasında belirtilenle aynı voltajlı güç kaynağına bağlanması gerekir ve yalnızca tek fazlı AC güç kaynağıyla çalıştırılabilir. Çifte yalıtımlıdır ve topraklamasız prizlerle de kullanılabilir.

### Gürültü

Tipik A-ağırlıklı gürültü düzeyi (EN62841-2-1 standardına göre belirlenen):

Ses basınç seviyesi (L<sub>pA</sub>): 83 dB (A)

Ses gücü düzeyi (L<sub>WA</sub>): 91 dB (A)

Belirsizlik (K): 3 dB (A)

**NOT:** Beyan edilen gürültü emisyonu değer(ler) bir standart test yöntemine uygun şekilde ölçülmüştür ve bir aleti bir başkasıyla karşılaştırmak için kullanılabilir.

**NOT:** Beyan edilen gürültü emisyonu değer(ler) i bir ön maruz kalma değerlendirmesi olarak da kullanılabilir.

**UYARI:** Kulak koruyucuları takın.

**UYARI:** Elektrikli aletin gerçek kullanımı sırasındaki gürültü emisyonu, aletin kullanım biçimlerine, özellikle işlenen iş parçasının türüne bağlı olarak beyan edilen değer(ler)den farklı olabilir.

**UYARI:** Gerçek kullanım koşullarındaki tahmini maruziyeti baz alan, operatörü koruyacak güvenlik önlemlerini mutlaka belirleyin (çalışma döngüsü içerisinde aletin kapalı olduğu ve aktif durumda olmasının yanı sıra boşta çalıştığı zamanlar gibi, bütün zaman dilimleri göz önünde bulundurarak).

### Titreşim

Titreşim toplam değeri (üç eksenli vektör toplamı) (EN62841-2-1 standardına göre hesaplanan):

Çalışma modu: metal delme

Titreşim emisyonu (a<sub>h,D</sub>): 2,5 m/s<sup>2</sup>den az

Belirsizlik (K) : 1,5 m/s<sup>2</sup>

**NOT:** Beyan edilen titreşim toplam değer(ler) bir standart test yöntemine uygun şekilde ölçülmüştür ve bir aleti bir başkasıyla karşılaştırmak için kullanılabilir.

**NOT:** Beyan edilen titreşim toplam değer(ler) bir ön maruz kalma değerlendirmesi olarak da kullanılabilir.

**UYARI:** Elektrikli aletin gerçek kullanımı sırasındaki titreşim emisyonu, aletin kullanım biçimlerine, özellikle işlenen iş parçasının türüne bağlı olarak beyan edilen değer(ler)den farklı olabilir.

**UYARI:** Gerçek kullanım koşullarındaki tahmini maruziyeti baz alan, operatörü koruyacak güvenlik önlemlerini mutlaka belirleyin (çalışma döngüsü içerisinde aletin kapalı olduğu ve aktif durumda olmasının yanı sıra boşta çalıştığı zamanlar gibi, bütün zaman dilimleri göz önünde bulundurarak).

### Uygunluk Beyanları

*Sadece Avrupa ülkeleri için*

Uygunluk beyanları bu kullanma kılavuzuna Ek A olarak eklenmiştir.

## GÜVENLİK UYARILARI

### Genel elektrikli alet güvenliği uyarıları

**UYARI:** Bu elektrikli aletle birlikte sunulan tüm güvenlik uyarılarını, talimatları, çizimleri ve teknik özellikleri okuyun. Aşağıda verilen talimatlara uyulmaması elektrik şoku, yangın ve/veya ciddi yaralanmalar ile sonuçlanabilir.

## Tüm uyarıları ve talimatları ile-ride başvurmak için saklayın.

Uyarılardaki "elektrikli alet" terimi ile ya prizden çalışan (kordonlu) elektrikli aletiniz ya da kendi aküsü ile çalışan (kordonsuz) elektrikli aletiniz kastedilmektedir.

### Matkap güvenlik uyarıları

Tüm işlemler için güvenlik talimatları

1. Yardımcı tutamağı/tutamakları kullanın. Kontrol kaybı yaralanmaya neden olabilir.
2. Kesici aksesuarın görmeyen kabloları ya da aletin kendi kordonuna temas etme olasılığı bulunan yerlerde çalışırken elektrikli aletleri yalıtımlı kavrama yüzeylerinden tutun. Kesici aksesuarın "akımlı" bir telle temas etmesi elektrikli aletin yalıtımsız metal kısımlarını "akımlı" hale getirebilir ve kullanıcıyı elektrik şokuna maruz bırakabilir.
3. Her zaman yere sağlam basın. Aleti yüksekte kullandığınızda, altında kimsenin olmadığını emin olun.
4. Aleti sıkıca tutun.
5. Ellerinizi dönen parçalardan uzak tutun.
6. Aleti çalışır durumda bırakmayın. Aleti sadece elinizde iken çalıştırın.
7. Kullanılan ucu veya iş parçasını işlemden hemen sonra ellemeyin; bunlar çok sıcak olup derinizi yakabilir.
8. Bazı malzemeler zehirli olabilen kimyasallar içerirler. Toz yutmayı ve cilt temasını önlemek için tedbir alın. Malzeme sağlığını güvenliğine uyun.
9. Matkap ucu, ağızları açmanıza rağmen gevşetilemezse ucu çekerek çıkarmak için pense kullanın. Bu durumda matkap ucunun elle çekilerek çıkarılması keskin ucu nedeniyle yaralanmaya neden olabilir.

Uzun matkap uçları kullanırken güvenlik talimatları

1. Matkap ucunun maksimum devir değerinden daha yüksek devirde asla çalıştırmayın. Yüksek devirlerde, iş parçasına dokunmadan serbest dönmesine izin verilirse ucun bükülmesi muhtemel olup yaralanmaya neden olabilir.
2. Her zaman düşük devirde ve uç, iş parçasına temas edecek şekilde delmeye başlayın. Yüksek devirlerde, iş parçasına dokunmadan serbest dönmesine izin verilirse ucun bükülmesi muhtemel olup yaralanmaya neden olabilir.
3. Sadece uç ile aynı hatta baskı uygulayın ve fazla baskı uygulamayın. Uçlar bükülerek kırılma veya kontrol kaybına neden olmak suretiyle yaralanmaya yol açabilir.

## BU TALİMATLARI MUHAFAZA EDİNİZ.

**UYARI:** Ürünü kullanırken (defalarca kullanınca kazanılan) rahatlık ve tanıdıklık duygusunun ilgili ürünün güvenli kullanımına sıkı sıkıya bağlı kalmanın yerine geçmesine İZİN VERMEYİN. YANLIŞ KULLANIM veya bu kullanma kılavuzunda belirtilen emniyet kurallarına uymama ciddi yaralanmaya neden olabilir.

## İŞLEVSEL NİTELİKLER

**⚠DİKKAT:** Alet üzerinde ayarlama ya da işleyiş kontrolü yapmadan önce aletin kapalı ve fişinin çekili olduğundan daima emin olun.

### Anahtar işlemi

**⚠DİKKAT:** Aleti fişe takmadan önce anahtar tetiğinin doğru çalıştığından ve bırakıldığında "OFF" (kapalı) konumuna döndüğünden emin olun.

- **Şek.1:** 1. Kilitleme düğmesi 2. Hız kontrol vıdası 3. Anahtar tetik 4. Daha yüksek 5. Daha düşük

Makineyi çalıştırmak için anahtar tetiğini çekin. Anahtar tetiğinin üzerine yapılan baskı artırılarak aletin hızı artırılır. Durdurmak için anahtar tetiği serbest bırakın. Sürekli çalıştırma için, anahtar tetiği çekin ve ardından kilitleme düğmesini içeri itin. Aleti kilitleti konumdan çıkarmak için anahtar tetiği sonuna kadar çekin ve ardından bırakın. Maksimum alet hızının sınırlandırılması (değiştirilebilir) için bir hız kontrol vıdası sağlanmıştır. Hız kontrol vıdasını daha yüksek hız için saat yönünde, daha düşük hız için saatin aksi yönünde çevirin.

### Ters dönüş mandalı işlemi

**⚠DİKKAT:** Kullanmadan önce dönüş yönünü daima kontrol edin.

**⚠DİKKAT:** Ters döndürme anahtarını sadece alet tamamen durduktan sonra kullanın. Dönüş yönünün alet durmadan önce değiştirilmesi alete zarar verebilir.

- **Şek.2:** 1. Ters dönüş mandalı anahtarı

Bu makinanın dönme yönünü değiştirmek için ters dönüş mandalı vardır. Ters dönüş mandalını saat yönünde dönüş için ↺ konumuna (A tarafı) ters yönde dönüş için ↻ konumuna (B tarafı) kaydırın.

### Hız değişimi

- **Şek.3:** 1. Ok 2. Hız değiştirme düğmesi

Hız değiştirme düğmesi ile iki hız aralığı önceden seçilebilir. Hızı değiştirmek için hız değiştirme düğmesini, alet gövdesi üzerindeki ok, düğme üzerinde düşük hız için "I" konumunu veya yüksek hız için "II" konumunu gösterecek şekilde çevirin. Düğmeyi çevirmek zorsa önce mandreni iki yönden birine hafifçe çevirin ve ardından düğmeyi tekrar çevirin.

**⚠DİKKAT:** Hız değiştirme düğmesini yalnızca alet tam durduktan sonra kullanın. Alet durmadan aletin hızının değiştirilmesi alete hasar verebilir.

**⚠DİKKAT:** Hız değiştirme düğmesini her zaman doğru konuma ayarlayın. Hız değiştirme düğmesi "I" ve "II" konumu arasındayken aleti kullanırsanız alet zarar görebilir.

## MONTAJ

**⚠ DİKKAT:** Alet üzerinde herhangi bir iş yapmadan önce aletin kapalı ve fişinin çekili olduğundan daima emin olun.

### Yan kavrama kolunun (yardımcı tutamağın) takılması

► **Şek.4:** 1. Kavrama kolu tabanı 2. Yan kavrama kolu (yardımcı tutamak) 3. Dişler 4. Çıkıntı

Çalışma güvenliği için daima yan kavrama kolunu kullanın. Yan kavrama kolunu, kavrama kolu üzerindeki dişler alet gövdesindeki çıkıntılarının arasına oturacak şekilde takın. Sonra kavrama kolunu saat yönünde döndürerek istenilen konumda sıkın.

**NOT:** Derinlik mastarı alet gövdesine çarpacağı konumda kullanılamaz.

### Matkap ucunun takılması veya çıkarılması

**⚠ DİKKAT:** Matkap ucunu takmadan ya da çıkarmadan önce aletin kapalı ve fişinin çekili olduğundan daima emin olun.

### Model için DP4010

► **Şek.5:** 1. Mandren anahtarı

Matkap ucunu takmak için, ucu matkap mandreninin içinde gidebileceği yere kadar iterek yerleştirin. Mandreni elle sıkıştırın. Mandren anahtarını her üç deliğe de sokup saat yönünde sıkıştırın. Her üç mandren deliğini de aynı oranda sıkıştırdığınızdan emin olun.

Matkap ucunu çıkarmak için mandren anahtarını, sadece bir delikte saat yönünün tersine çevirin, sonra mandreni elle gevşetin.

Mandren anahtarını kullandıktan sonra orijinal konumuna yerleştirmeyi unutmayın.

### Model için DP4011

► **Şek.6:** 1. Kovan 2. Bilezik

Mandren ağızlarını açmak için, bileziği tutun ve kovani saat yönünün tersine çevirin. Matkap ucunu matkap mandreninin içinde gidebileceği yere kadar iterek yerleştirin. Mandreni sıkılamak için, bileziği sıkıca tutup kovani saat yönünde çevirin. Matkap ucunu çıkarmak için, bileziği tutun ve kovani saat yönünün tersine çevirin.

### Derinlik mastarı

#### İsteğe bağlı aksesuar

Derinlik mastarı eşit derinlikte delikler delmeye yarar. Yan kavrama kolunu gevşetin ve derinlik mastarını yan kavrama kolundaki deliğin içine yerleştirin. Derinlik mastarını istenilen derinliğe ayarlayın ve yan kavrama kolunu iyice sıkıştırın.

► **Şek.7:** 1. Derinlik mastarı

**NOT:** Derinlik mastarı alet gövdesine çarpacağı konumda kullanılamaz.

## KULLANIM

### Aletin tutulması

► **Şek.8**

Her zaman yan kavrama kolunu (yardımcı tutamak) kullanın ve kullanım esnasında aleti yan kavrama kolundan ve anahtar tutamağından sıkı bir şekilde tutun.

### Delme işlemi

#### Tahta delerken

Tahta delerken, kılavuz vidalı tahta uçlarıyla en iyi sonuçlar elde edilir. Kılavuz vida, matkap ucunu iş parçasına çekmek suretiyle delme işlemini kolaylaştırır.

#### Metal delerken

Delik delmeye başlarken, matkap ucunun kaymasını engellemek için zımba ve çekiç yardımı ile delik açılacak noktaya çentik açın. Çentik üstüne matkap ucunu yerleştirip delmeye başlayın.

Metal delerken kesme soğutucusu sıvıyı kullanın. Ancak demir ve çelik istisna olup kuru olarak delinmelidir.

**⚠ DİKKAT:** Alete aşırı baskı yapıldığında delme işlemi hızlanmayacaktır. Aşırı baskı matkap ucunun yıpranmasına, alet performansının düşmesine ve aletin kullanım ömrünün kısalmasına yol açacaktır.

**⚠ DİKKAT:** Matkap ucu, iş parçasını delip çıkmaya başladığında aleti sıkı tutun ve dikkat sarf edin. Deliğin açılması sırasında alet/matkap ucu üzerine çok büyük güç uygulanır.

**⚠ DİKKAT:** Sıkışan bir matkap ucu, aleti ters yöne döndürerek kolayca çıkartılabilir. Fakat bu durumda aleti sıkıca tutmak gerekir, aksi halde alet darbe ile aniden elden çıkabilir.

**⚠ DİKKAT:** İş parçalarını daima bir mengine ya da benzer sıkıştırma aygıtlarıyla sabitleyin.

**⚠ DİKKAT:** Matkap ucunun sıkışmasına veya kırılmasına neden olabilecek saklı çiviler veya başka nesnelere içerdiğinden şüphelendiğiniz malzemede delik delmekten kaçınınız.

## BAKIM

**⚠ DİKKAT:** Muayene ya da bakım yapmadan önce aletin kapalı ve fişinin çekili olduğundan daima emin olun.

**ÖNEMLİ NOT:** Benzin, tiner, alkol ve benzeri maddeleri kesinlikle kullanmayın. Renk değişimi, deformasyon veya çatlaklar oluşabilir.

## Hava deliklerinin temizlenmesi

### ► Şek.9: 1. Hava delikleri

Alet ve hava delikleri temiz tutulmalıdır. Aletin hava deliklerini düzenli olarak veya delikler tıkanmaya başladığında temizleyin.

Aleti EMNİYETLİ ve ÇALIŞMAYA HAZIR durumda tutmak için onarımlar, karbon fırça muayenesi ve değiştirilmesi, başka her türlü bakım veya ayarlamalar daima Makita yedek parçaları kullanılarak Makita Yetkili Servis Merkezleri ya da Fabrika Servis Merkezleri tarafından yapılmalıdır.

## İSTEĞE BAĞLI AKSESUARLAR

**⚠ DİKKAT:** Bu aksesuarlar ve ek parçalar bu el kitabında belirtilen Makita aletiniz ile kullanılmak için tavsiye edilmektedir. Herhangi başka bir aksesuar ya da ek parça kullanılması insanlar için bir yaralanma riski getirebilir. Aksesuarları ya da ek parçaları yalnızca belirtilmiş olan kullanım amaçlarına uygun olarak kullanın.

Bu aksesuarlarla ilgili daha fazla bilgiye ihtiyaç duysanız bulunduğunuz yerdeki yetkili Makita servisine başvurun.

- Matkap uçları
- Paçlar
- Anahtarsız matkap mandreni
- Mandren anahtarı
- Kavrama kolu takımı
- Derinlik mastarı
- Plastik taşıma çantası

**NOT:** Listedeki parçaların bazıları alet paketi içerisinde standart aksesuar olarak dahil edilmiş olabilir. Bunlar ülkeden ülkeye farklılık gösterebilir.





# Makita Europe N.V.

Jan-Baptist Vinkstraat 2, 3070 Kortenberg, Belgium

# Makita Corporation

3-11-8, Sumiyoshi-cho, Anjo, Aichi 446-8502 Japan

[www.makita.com](http://www.makita.com)



884741E991  
EN, FR, DE, IT, NL,  
ES, PT, DA, EL, TR  
20210519