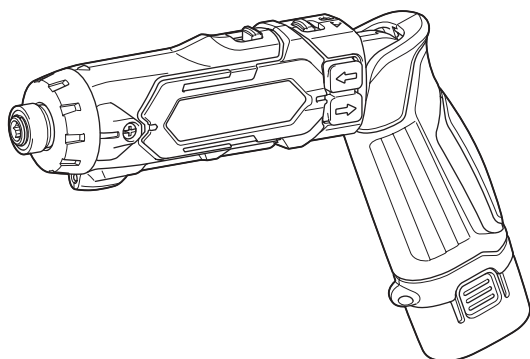




EN	Cordless Driver Drill	INSTRUCTION MANUAL	4
FR	Perceuse-Visseuse sans Fil	MANUEL D'INSTRUCTIONS	10
DE	Akku-Bohrschrauber	BETRIEBSANLEITUNG	17
IT	Trapano avvitatore a batteria	ISTRUZIONI PER L'USO	24
NL	Accuschroefboormachine	GEBRUIKSAANWIJZING	31
ES	Atornillador Taladro Inalámbrico	MANUAL DE INSTRUCCIONES	38
PT	Parafusadeira/Furadeira a Bateria	MANUAL DE INSTRUÇÕES	45
DA	Akku skrue-/boremaskine	BRUGSANVISNING	51
EL	Δραπανοκατσάβιδο μπαταρίας	ΕΓΧΕΙΡΙΔΙΟ ΟΔΗΓΙΩΝ	57
TR	Akülü Matkap Tornavida	KULLANMA KILAVUZU	64

DF012D



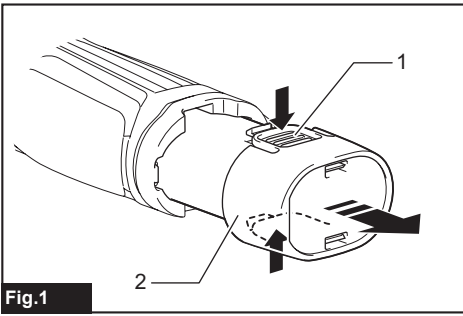


Fig.1

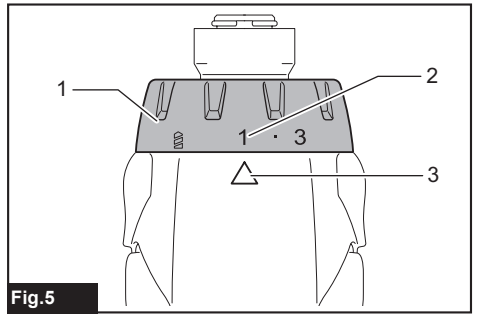


Fig.5

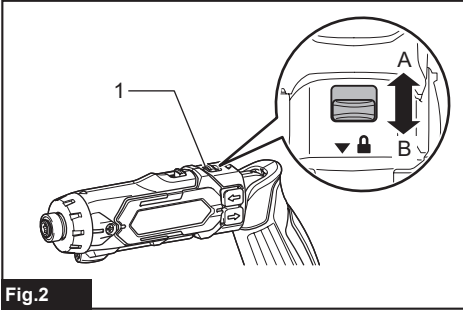


Fig.2

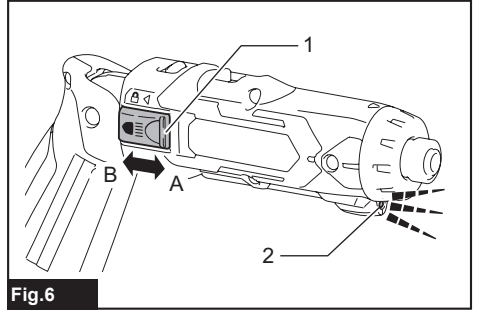


Fig.6

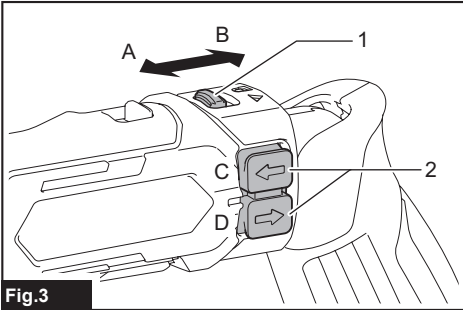


Fig.3

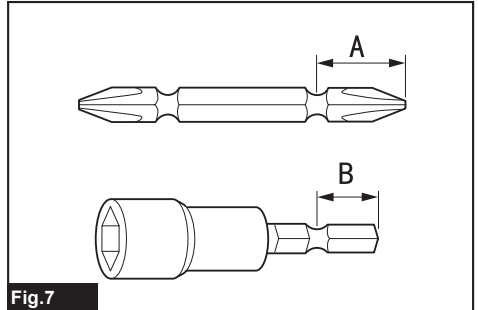


Fig.7

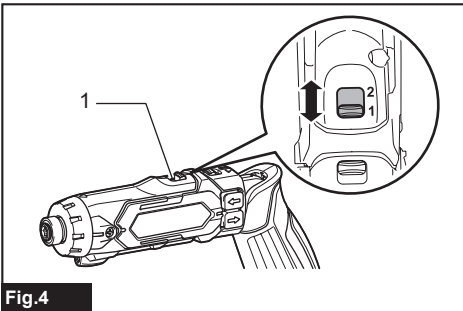


Fig.4

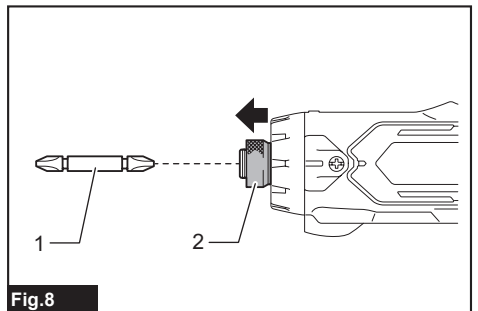
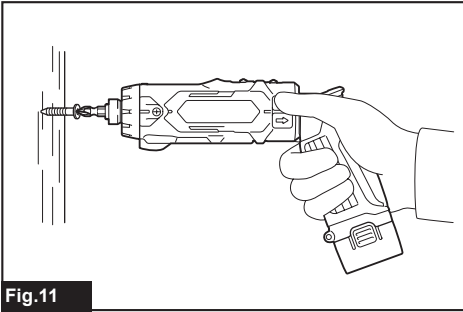
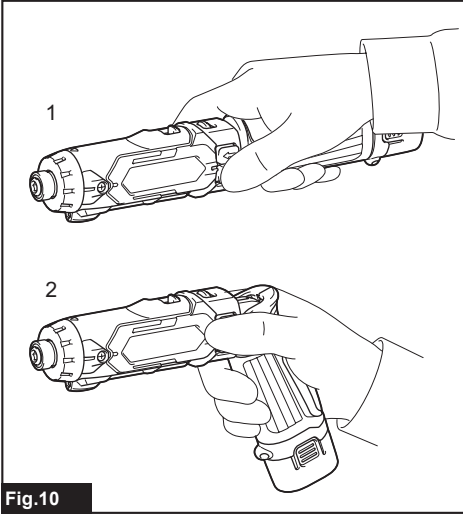
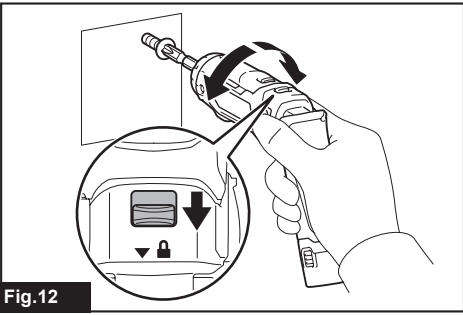
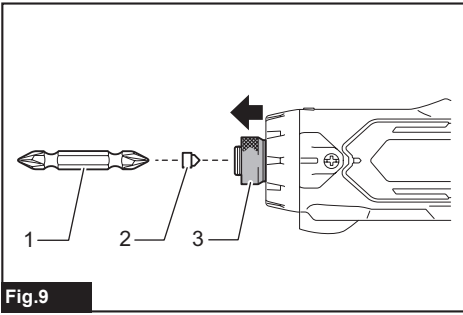


Fig.8



SPECIFICATIONS

Model:		DF012D
Drilling capacities	Steel	5 mm
	Wood	6 mm
Fastening capacities	Wood screw	ø3.8 mm x 45 mm
	Machine screw	M5
No load speed	High (2)	650 min ⁻¹
	Low (1)	200 min ⁻¹
Overall length	With straight shape	273 mm
	With pistol shape	218 mm
Rated voltage		D.C. 7.2 V
Net weight		0.53 - 0.54 kg

- Due to our continuing program of research and development, the specifications herein are subject to change without notice.
- Specifications may differ from country to country.
- The weight may differ depending on the attachment(s), including the battery cartridge. The lightest and heaviest combination, according to EPTA-Procedure 01/2014, are shown in the table.

Applicable battery cartridge and charger

Battery cartridge	BL7010 / BL0715
Charger	DC10WA / DC10WB

- Some of the battery cartridges and chargers listed above may not be available depending on your region of residence.

⚠WARNING: Only use the battery cartridges and chargers listed above. Use of any other battery cartridges and chargers may cause injury and/or fire.

Intended use

The tool is intended for drilling and screw driving in wood, metal and plastic.

Noise

The typical A-weighted noise level determined according to EN62841-2-1:

Sound pressure level (L_{pA}): 70 dB(A) or less
Uncertainty (K): 3 dB(A)

The noise level under working may exceed 80 dB (A).

NOTE: The declared noise emission value(s) has been measured in accordance with a standard test method and may be used for comparing one tool with another.

NOTE: The declared noise emission value(s) may also be used in a preliminary assessment of exposure.

⚠WARNING: Wear ear protection.

⚠WARNING: The noise emission during actual use of the power tool can differ from the declared value(s) depending on the ways in which the tool is used especially what kind of workpiece is processed.

⚠WARNING: Be sure to identify safety measures to protect the operator that are based on an estimation of exposure in the actual conditions of use (taking account of all parts of the operating cycle such as the times when the tool is switched off and when it is running idle in addition to the trigger time).

Vibration

The vibration total value (tri-axial vector sum) determined according to EN62841-2-1:

Work mode: drilling into metal
Vibration emission ($a_{h,D}$): 2.5 m/s² or less
Uncertainty (K): 1.5 m/s²

NOTE: The declared vibration total value(s) has been measured in accordance with a standard test method and may be used for comparing one tool with another.

NOTE: The declared vibration total value(s) may also be used in a preliminary assessment of exposure.

⚠WARNING: The vibration emission during actual use of the power tool can differ from the declared value(s) depending on the ways in which the tool is used especially what kind of workpiece is processed.

⚠WARNING: Be sure to identify safety measures to protect the operator that are based on an estimation of exposure in the actual conditions of use (taking account of all parts of the operating cycle such as the times when the tool is switched off and when it is running idle in addition to the trigger time).

Declarations of Conformity

For European countries only

The Declarations of conformity are included in Annex A to this instruction manual.

SAFETY WARNINGS

General power tool safety warnings

⚠WARNING: Read all safety warnings, instructions, illustrations and specifications provided with this power tool. Failure to follow all instructions listed below may result in electric shock, fire and/or serious injury.

Save all warnings and instructions for future reference.

The term "power tool" in the warnings refers to your mains-operated (corded) power tool or battery-operated (cordless) power tool.

Cordless driver drill safety warnings

Safety instructions for all operations

1. **Hold the power tool by insulated gripping surfaces, when performing an operation where the cutting accessory or fasteners may contact hidden wiring.** Cutting accessory or fasteners contacting a "live" wire may make exposed metal parts of the power tool "live" and could give the operator an electric shock.
2. **Always be sure you have a firm footing. Be sure no one is below when using the tool in high locations.**
3. **Hold the tool firmly.**
4. **Keep hands away from rotating parts.**
5. **Do not leave the tool running. Operate the tool only when hand-held.**

6. **Do not touch the drill bit or the workpiece immediately after operation; they may be extremely hot and could burn your skin.**
7. **Some material contains chemicals which may be toxic. Take caution to prevent dust inhalation and skin contact. Follow material supplier safety data.**
8. **If the drill bit cannot be loosened even you open the jaws, use pliers to pull it out.** In such a case, pulling out the drill bit by hand may result in injury by its sharp edge.

Safety instructions when using long drill bits

1. **Never operate at higher speed than the maximum speed rating of the drill bit.** At higher speeds, the bit is likely to bend if allowed to rotate freely without contacting the workpiece, resulting in personal injury.
2. **Always start drilling at low speed and with the bit tip in contact with the workpiece.** At higher speeds, the bit is likely to bend if allowed to rotate freely without contacting the workpiece, resulting in personal injury.
3. **Apply pressure only in direct line with the bit and do not apply excessive pressure.** Bits can bend causing breakage or loss of control, resulting in personal injury.

SAVE THESE INSTRUCTIONS.

⚠WARNING: DO NOT let comfort or familiarity with product (gained from repeated use) replace strict adherence to safety rules for the subject product. MISUSE or failure to follow the safety rules stated in this instruction manual may cause serious personal injury.

Important safety instructions for battery cartridge

1. **Before using battery cartridge, read all instructions and cautionary markings on (1) battery charger, (2) battery, and (3) product using battery.**
2. **Do not disassemble battery cartridge.**
3. **If operating time has become excessively shorter, stop operating immediately. It may result in a risk of overheating, possible burns and even an explosion.**
4. **If electrolyte gets into your eyes, rinse them out with clear water and seek medical attention right away. It may result in loss of your eyesight.**
5. **Do not short the battery cartridge:**
 - (1) **Do not touch the terminals with any conductive material.**
 - (2) **Avoid storing battery cartridge in a container with other metal objects such as nails, coins, etc.**
 - (3) **Do not expose battery cartridge to water or rain.****A battery short can cause a large current flow, overheating, possible burns and even a breakdown.**

6. Do not store the tool and battery cartridge in locations where the temperature may reach or exceed 50 °C (122 °F).
7. Do not incinerate the battery cartridge even if it is severely damaged or is completely worn out. The battery cartridge can explode in a fire.
8. Be careful not to drop or strike battery.
9. Do not use a damaged battery.
10. The contained lithium-ion batteries are subject to the Dangerous Goods Legislation requirements.
For commercial transports e.g. by third parties, forwarding agents, special requirement on packaging and labeling must be observed.
For preparation of the item being shipped, consulting an expert for hazardous material is required.
Please also observe possibly more detailed national regulations.
Tape or mask off open contacts and pack up the battery in such a manner that it cannot move around in the packaging.
11. When disposing the battery cartridge, remove it from the tool and dispose of it in a safe place. Follow your local regulations relating to disposal of battery.
12. Use the batteries only with the products specified by Makita. Installing the batteries to non-compliant products may result in a fire, excessive heat, explosion, or leak of electrolyte.
13. If the tool is not used for a long period of time, the battery must be removed from the tool.

SAVE THESE INSTRUCTIONS.

CAUTION: Only use genuine Makita batteries. Use of non-genuine Makita batteries, or batteries that have been altered, may result in the battery bursting causing fires, personal injury and damage. It will also void the Makita warranty for the Makita tool and charger.

Tips for maintaining maximum battery life

1. Charge the battery cartridge before completely discharged. Always stop tool operation and charge the battery cartridge when you notice less tool power.
2. Never recharge a fully charged battery cartridge. Overcharging shortens the battery service life.
3. Charge the battery cartridge with room temperature at 10 °C - 40 °C (50 °F - 104 °F). Let a hot battery cartridge cool down before charging it.

FUNCTIONAL DESCRIPTION

CAUTION: Always be sure that the tool is switched off and the battery cartridge is removed before adjusting or checking function on the tool.

Installing or removing battery cartridge

CAUTION: Always switch off the tool before installing or removing of the battery cartridge.

CAUTION: Hold the tool and the battery cartridge firmly when installing or removing battery cartridge. Failure to hold the tool and the battery cartridge firmly may cause them to slip off your hands and result in damage to the tool and battery cartridge and a personal injury.

► Fig.1: 1. Button 2. Battery cartridge

To remove the battery cartridge, withdraw it from the tool while pressing the buttons on both sides of the cartridge.

To install the battery cartridge, align the tongue on the battery cartridge with the groove in the housing and slip it into place.

CAUTION: Always insert it until it locks in place with a little click. If not, it may accidentally fall out of the tool, causing injury to you or someone around you.

CAUTION: Do not install the battery cartridge forcibly. If the cartridge does not slide in easily, it is not being inserted correctly.

Battery protection system

The tool is equipped with a battery protection system. This system automatically cuts off power to the motor to extend battery life.

The tool will automatically stop during operation if the tool and/or battery are placed under the following condition:

Low battery voltage:

The remaining battery capacity is too low and the tool will not operate. If you turn the tool on, the motor runs again but stops soon. In this situation, remove and recharge the battery.

Lock lever

CAUTION: When not operating the tool, always set the lock lever in the locked position B.

► Fig.2: 1. Lock lever

When the lock lever is in the locked position B, the switch cannot be actuated.

When the lock lever is in the unlocked position A, the switch can be actuated.

Switch action

CAUTION: Before installing the battery cartridge into the tool, always check to see that the switch actuates properly and returns to the "OFF" position when released.

CAUTION: Always check the direction of rotation before operation.

► Fig.3: 1. Lock lever 2. Switch

To start the tool, first move the lock lever to the unlocked position A to release the switch. And then simply push the switch on the ⇨ C side for the clockwise rotation and the ⇩ D side for the counterclockwise rotation. Release the switch to stop.

NOTICE: Change the direction only after the tool comes to a complete stop. Changing the direction of rotation before the tool stops may damage the tool.

Speed change

► Fig.4: 1. Speed change lever

CAUTION: Always set the speed change lever fully to the correct position. If you operate the tool with the speed change lever positioned halfway between the "1" side and "2" side, the tool may be damaged.


CAUTION: Do not use the speed change lever while the tool is running. The tool may be damaged.


Position of speed change lever	Speed	Torque	Applicable operation
1	Low	High	Heavy loading operation
2	High	Low	Light loading operation

To change the speed, switch off the tool first. Select the "2" side for high speed or "1" for low speed but high torque. Be sure that the speed change lever is set to the correct position before operation. If the tool speed is coming down extremely during the operation with "2", slide the lever to the "1" and restart the operation.

Adjusting the fastening torque

► Fig.5: 1. Adjusting ring 2. Graduation 3. Arrow


The fastening torque can be adjusted in 22 levels by turning the adjusting ring. Align the graduations with the arrow on the tool body. You can get the minimum fastening torque at 1 and maximum torque at  marking.

The clutch will slip at various torque levels when set at the number 1 to 21. The clutch does not work at the  marking. Before actual operation, drive a trial screw into your material or a piece of duplicate material to determine which torque level is required for a particular application.

NOTE: See the following chart for the relation between the number of torque setting and fastening torque rate.

The fastening torque rate will be different depends on materials. Make a test fastening to get the desired torque before operation.

Guideline for clutch auto stop

Work range of clutch auto-stop		Increments on adjusting ring for fastening torque	Fastening torque
High	Low		
✓	✓	1	Approx. 0.3 N•m (Approx. 3 Kgf•cm)
✓	✓	5	Approx. 0.82 N•m (Approx. 8.4 Kgf•cm)
✓	✓	9	Approx. 1.35 N•m (Approx. 13.8 Kgf•cm)
-	✓	13	Approx. 1.88 N•m (Approx. 19.2 Kgf•cm)
-	✓	17	Approx. 2.41 N•m (Approx. 24.6 Kgf•cm)
-	✓	21	Approx. 2.9 N•m (Approx. 30 Kgf•cm)
-	-		At low speed, approx. 8 N•m (Approx. 81.6 Kgf•cm)
-	-		At high speed, approx. 1.5 N•m (Approx. 14.7 Kgf•cm)

When driving machine screws	Increments	Guideline for machine screw diameter
	1 - 3	2.5 mm
	4 - 8	3 mm
	9 - 18	4 mm
	19 - 21	5 mm

Lighting up the front lamp

CAUTION: Do not look in the light or see the source of light directly.

To turn on the light, slide the lamp switch to the A position. To turn off the light, slide the lamp switch to B position.

Even if you leave the lamp on, the light will automatically turn off after 5 minutes.

► **Fig.6:** 1. Lamp switch 2. Lamp

NOTE: The lamp signals by flickering during use when the battery power is almost used up.

At this time, recharge the battery or replace the battery with a fully charged one.

ASSEMBLY

CAUTION: Always be sure that the tool is switched off and the battery cartridge is removed before carrying out any work on the tool.

Installing or removing driver bit/socket bit

► **Fig.7**

Use only driver bit/socket bit that has inserting portion shown in the figure. Do not use any other driver bit/socket bit.

For tool with shallow driver bit hole

A=12mm B=9mm	Use only these type of driver bit. Follow the procedure 1. (Note) Bit-piece is not necessary.
-----------------	---

For tool with deep driver bit hole

A=17mm B=14mm	To install these types of driver bits, follow the procedure 1.
A=12mm B=9mm	To install these types of driver bits, follow the procedure 2. (Note) Bit-piece is necessary for installing the bit.

Procedure 1

► **Fig.8:** 1. Driver bit 2. Sleeve

To install the driver bit, pull the sleeve in the direction of the arrow and insert the driver bit into the sleeve as far as it will go.

Then release the sleeve to secure the driver bit.

Procedure 2

In addition to **Procedure 1**, insert the bit-piece into the sleeve with its pointed end facing in.

► **Fig.9:** 1. Driver bit 2. Bit-piece 3. Sleeve

To remove the driver bit, pull the sleeve in the direction of the arrow and pull the driver bit out.

NOTE: If the driver bit is not inserted deep enough into the sleeve, the sleeve will not return to its original position and the driver bit will not be secured. In this case, try re-inserting the bit according to the instructions above.

NOTE: After inserting the driver bit, make sure that it is firmly secured. If it comes out, do not use it.

OPERATION

CAUTION: When bending the tool to use in the pistol shape or straightening to use in the straight shape, do not hold the bendable part of the tool. Failure to do so may cause your hand and fingers to be pinched and injured by this part.

The tool can be used in two ways; a straight shape and a pistol shape which are selectable according to the conditions of workplace and screwdriving.

► **Fig.10:** 1. Straight shape 2. Pistol shape

Screwdriving operation

CAUTION: Adjust the adjusting ring to the proper torque level for your work.


CAUTION: Make sure that the driver bit is inserted straight in the screw head, or the screw and/or driver bit may be damaged.

Place the point of the driver bit in the screw head and apply pressure to the tool. Start the tool slowly and then increase the speed gradually. Release the switch trigger as soon as the clutch cuts in.

► **Fig.11**

NOTE: When driving wood screw, pre-drill a pilot hole 2/3 the diameter of the screw. It makes driving easier and prevents splitting of the workpiece.

Drilling operation

First, turn the adjusting ring so that the arrow points to the  marking. Then proceed as follows.

Drilling in wood

When drilling in wood, the best results are obtained with wood drills equipped with a guide screw. The guide screw makes drilling easier by pulling the drill bit into the workpiece.

Drilling in metal

To prevent the drill bit from slipping when starting a hole, make an indentation with a center-punch and hammer at the point to be drilled. Place the point of the drill bit in the indentation and start drilling. Use a cutting lubricant when drilling metals. The exceptions are iron and brass which should be drilled dry.

⚠ CAUTION: Pressing excessively on the tool will not speed up the drilling. In fact, this excessive pressure will only serve to damage the tip of your drill bit, decrease the tool performance and shorten the service life of the tool.

⚠ CAUTION: Hold the tool firmly and exert care when the drill bit begins to break through the workpiece. There is a tremendous force exerted on the tool/drill bit at the time of hole break through.

⚠ CAUTION: A stuck drill bit can be removed simply by setting the reversing switch to reverse rotation in order to back out. However, the tool may back out abruptly if you do not hold it firmly.


⚠ CAUTION: Always secure workpieces in a vise or similar hold-down device.

⚠ CAUTION: If the tool is operated continuously until the battery cartridge has discharged, allow the tool to rest for 15 minutes before proceeding with a fresh battery.

Using the tool as a hand screwdriver

► Fig.12

Switch off the tool.

Move the lock lever to the locked position .

Turn the tool.

NOTICE: Use the tool with a fastening torque less than 5 N•m (50 kg•cm).

NOTICE: Do not use the tool for work requiring excessive force, such as tightening bolt M6 or bolts greater than M6 or removing rusted screws.

NOTE: This use is convenient for checking the screwdriving.

MAINTENANCE

⚠ CAUTION: Always be sure that the tool is switched off and the battery cartridge is removed before attempting to perform inspection or maintenance.

NOTICE: Never use gasoline, benzine, thinner, alcohol or the like. Discoloration, deformation or cracks may result.

To maintain product SAFETY and RELIABILITY, repairs, any other maintenance or adjustment should be performed by Makita Authorized or Factory Service Centers, always using Makita replacement parts.

OPTIONAL ACCESSORIES

⚠ CAUTION: These accessories or attachments are recommended for use with your Makita tool specified in this manual. The use of any other accessories or attachments might present a risk of injury to persons. Only use accessory or attachment for its stated purpose.

If you need any assistance for more details regarding these accessories, ask your local Makita Service Center.

- Drill bits
- Driver bits
- Socket bits
- Bit piece
- Plastic carrying case
- Makita genuine battery and charger

NOTE: Some items in the list may be included in the tool package as standard accessories. They may differ from country to country.

SPÉCIFICATIONS

Modèle :		DF012D
Capacités de perçage	Acier	5 mm
	Bois	6 mm
Capacités de serrage	Vis à bois	ø3,8 mm x 45 mm
	Vis mécanique	M5
Vitesse à vide	Élevée (2)	650 min ⁻¹
	Basse (1)	200 min ⁻¹
Longueur totale	Avec la forme droite	273 mm
	Avec la forme de pistolet	218 mm
Tension nominale		7,2 V CC
Poids net		0,53 - 0,54 kg

- Étant donné l'évolution constante de notre programme de recherche et de développement, les spécifications contenues dans ce manuel sont sujettes à modification sans préavis.
- Les spécifications peuvent varier suivant les pays.
- Le poids peut être différent selon les accessoires, notamment la batterie. Les associations la plus légère et la plus lourde, conformément à la procédure EPTA 01/2014, sont indiquées dans le tableau.

Batterie et chargeur applicables

Batterie	BL7010 / BL0715
Chargeur	DC10WA / DC10WB

- Certains chargeurs et batteries répertoriés ci-dessus peuvent ne pas être disponibles selon la région où vous résidez.

⚠ AVERTISSEMENT : N'utilisez que les batteries et les chargeurs répertoriés ci-dessus. L'utilisation d'autres batteries et chargeurs peut provoquer des blessures et/ou un incendie.

Utilisations

L'outil est conçu pour percer et visser dans le bois, le métal et le plastique.

Bruit

Niveau de bruit pondéré A typique, déterminé selon EN62841-2-1 :

Niveau de pression sonore (L_{pA}) : 70 dB (A) ou moins
Incertitude (K) : 3 dB (A)

Le niveau de bruit en fonctionnement peut dépasser 80 dB (A).

NOTE : La ou les valeurs d'émission de bruit déclarées ont été mesurées conformément à la méthode de test standard et peuvent être utilisées pour comparer les outils entre eux.

NOTE : La ou les valeurs d'émission de bruit déclarées peuvent aussi être utilisées pour l'évaluation préliminaire de l'exposition.

⚠ AVERTISSEMENT : Portez un serre-tête antibruit.

⚠ AVERTISSEMENT : L'émission de bruit lors de l'usage réel de l'outil électrique peut être différente de la ou des valeurs déclarées, suivant la façon dont l'outil est utilisé, particulièrement selon le type de pièce usinée.

⚠ AVERTISSEMENT : Les mesures de sécurité à prendre pour protéger l'utilisateur doivent être basées sur une estimation de l'exposition dans des conditions réelles d'utilisation (en tenant compte de toutes les composantes du cycle d'utilisation, comme par exemple le moment de sa mise hors tension, lorsqu'il tourne à vide et le moment de son déclenchement).

Vibrations

Valeur totale de vibrations (somme de vecteur triaxial) déterminée selon EN62841-2-1 :

Mode de travail : perçage dans le métal

Émission de vibrations ($a_{h,D}$) : 2,5 m/s² ou moins

Incertitude (K) : 1,5 m/s²

NOTE : La ou les valeurs de vibration totales déclarées ont été mesurées conformément à la méthode de test standard et peuvent être utilisées pour comparer les outils entre eux.

NOTE : La ou les valeurs de vibration totales déclarées peuvent aussi être utilisées pour l'évaluation préliminaire de l'exposition.

⚠️ AVERTISSEMENT : L'émission de vibrations lors de l'usage réel de l'outil électrique peut être différente de la ou des valeurs déclarées, suivant la façon dont l'outil est utilisé, particulièrement selon le type de pièce usinée.

⚠️ AVERTISSEMENT : Les mesures de sécurité à prendre pour protéger l'utilisateur doivent être basées sur une estimation de l'exposition dans des conditions réelles d'utilisation (en tenant compte de toutes les composantes du cycle d'utilisation, comme par exemple le moment de sa mise hors tension, lorsqu'il tourne à vide et le moment de son déclenchement).

Déclarations de conformité

Pour les pays européens uniquement

Les déclarations de conformité sont fournies en Annexe A à ce mode d'emploi.

CONSIGNES DE SÉCURITÉ

Consignes de sécurité générales pour outils électriques

⚠️ AVERTISSEMENT : Veuillez lire les consignes de sécurité, instructions, illustrations et spécifications qui accompagnent cet outil électrique. Le non-respect de toutes les instructions indiquées ci-dessous peut entraîner une électrocution, un incendie et/ou de graves blessures.

Conservez toutes les mises en garde et instructions pour référence ultérieure.

Le terme « outil électrique » dans les avertissements fait référence à l'outil électrique alimenté par le secteur (avec cordon d'alimentation) ou à l'outil électrique fonctionnant sur batterie (sans cordon d'alimentation).

Consignes de sécurité pour perceuse-visseuse sans fil

Consignes de sécurité pour toutes les tâches

1. **Tenez l'outil électrique par des surfaces de prise isolées lorsque vous effectuez une tâche au cours de laquelle l'accessoire de coupe ou les éléments de fixation peuvent entrer en contact avec des fils cachés.** Le contact de l'accessoire de coupe ou des éléments de fixation avec un fil sous tension peut transmettre du courant dans les pièces métalliques exposées de l'outil électrique et électrocuter l'utilisateur.

2. **Assurez-vous toujours de travailler en position stable. Veillez à ce que personne ne se trouve en dessous de vous quand vous utilisez l'outil en hauteur.**
3. **Tenez l'outil fermement.**
4. **Gardez les mains éloignées des pièces en rotation.**
5. **Ne vous éloignez pas en laissant l'outil tourner. Ne le faites fonctionner que lorsque vous l'avez bien en main.**
6. **Ne touchez pas le foret ou la pièce immédiatement après l'exécution du travail ; ils peuvent être extrêmement chauds et vous brûler la peau.**
7. **Certains matériaux contiennent des produits chimiques qui peuvent être toxiques. Prenez garde de ne pas avaler la poussière et évitez tout contact avec la peau. Suivez les données de sécurité du fournisseur du matériau.**
8. **Si le foret ne peut pas être desserré même en ouvrant la mâchoire, utilisez des pinces pour l'extirper.** Le bord tranchant du foret risque de vous blesser si vous essayez de l'extirper manuellement.

Consignes de sécurité en cas d'utilisation de forêts longs

1. **Ne faites jamais fonctionner l'outil à une vitesse supérieure à la vitesse nominale maximale du foret.** À une vitesse plus élevée, le foret risque de se tordre s'il lui est permis de tourner librement sans toucher la pièce, ce qui présente un risque de blessure.
2. **Commencez toujours le perçage à basse vitesse avec la pointe du foret en contact avec la pièce.** À une vitesse plus élevée, le foret risque de se tordre s'il lui est permis de tourner librement sans toucher la pièce, ce qui présente un risque de blessure.
3. **Appliquez une pression uniquement en ligne directe avec le foret et n'exercez pas une pression excessive.** Les forêts peuvent se tordre et se casser ou provoquer la perte de contrôle, ce qui présente un risque de blessure.

CONSERVEZ CES INSTRUCTIONS.

⚠️ AVERTISSEMENT : NE vous laissez PAS tromper (au fil d'une utilisation répétée) par un sentiment d'aisance et de familiarité avec le produit, en négligeant le respect rigoureux des consignes de sécurité qui accompagnent le produit en question. La MAUVAISE UTILISATION de l'outil ou l'ignorance des consignes de sécurité indiquées dans ce mode d'emploi peut entraîner de graves blessures.

Consignes de sécurité importantes pour la batterie

1. **Avant d'utiliser la batterie, lisez toutes les instructions et précautions relatives (1) au chargeur de batterie, (2) à la batterie, et (3) au produit utilisant la batterie.**
2. **Ne démontez pas la batterie.**
3. **Cessez immédiatement l'utilisation si le temps de fonctionnement devient excessivement court.** Il y a un risque de surchauffe, de brûlures, voire d'explosion.

4. Si l'électrolyte pénètre dans vos yeux, rincez-les à l'eau claire et consultez immédiatement un médecin. Il y a risque de perte de la vue.
5. Ne court-circuitez pas la batterie :
 - (1) Ne touchez les bornes avec aucun matériau conducteur.
 - (2) Évitez de ranger la batterie dans un conteneur avec d'autres objets métalliques, par exemple des clous, des pièces de monnaie, etc.
 - (3) N'exposez pas la batterie à l'eau ou à la pluie.

Un court-circuit de la batterie peut provoquer une intensité de courant élevée, une surchauffe, parfois des brûlures et même une panne.

6. Ne rangez pas l'outil et la batterie dans un endroit où la température risque d'atteindre ou de dépasser 50 °C.
7. Ne jetez pas la batterie au feu même si elle est sérieusement endommagée ou complètement épuisée. La batterie peut exploser au contact du feu.
8. Évitez de laisser tomber ou de cogner la batterie.
9. N'utilisez pas la batterie si elle est endommagée.
10. Les batteries au lithium-ion contenues sont soumises aux exigences de la législation sur les marchandises dangereuses.
Lors du transport commercial par des tierces parties ou des transitaires par exemple, des exigences spécifiques en matière d'étiquetage et d'emballage doivent être respectées.
Pour la préparation de l'article expédié, il est nécessaire de consulter un expert en matériau dangereux. Veuillez également respecter les réglementations nationales susceptibles d'être plus détaillées.
Recouvrez les contacts exposés avec du ruban adhésif ou du ruban de masquage et emballez la batterie de telle sorte qu'elle ne puisse pas bouger dans l'emballage.
11. Lors de la mise au rebut de la batterie, retirez-la de l'outil et jetez-la en lieu sûr. Suivez les réglementations locales en matière de mise au rebut des batteries.
12. Utilisez les batteries uniquement avec les produits spécifiés par Makita. L'insertion de batteries dans des produits non conformes peut provoquer un incendie, une chaleur excessive, une explosion ou une fuite de l'électrolyte.
13. Lorsque vous n'utilisez pas l'outil pendant une période prolongée, la batterie doit être retirée de l'outil.

CONSERVEZ CES INSTRUCTIONS.

ATTENTION : N'utilisez que des batteries Makita d'origine. L'utilisation de batteries de marque autre que Makita ou de batteries modifiées peut provoquer l'explosion des batteries, ce qui présente un risque d'incendie, de dommages matériels et corporels. Cela annulera également la garantie Makita pour l'outil et le chargeur Makita.

Conseils pour assurer la durée de vie optimale de la batterie

1. Chargez la batterie avant qu'elle ne soit complètement déchargée. Arrêtez toujours l'outil et rechargez la batterie quand vous remarquez que la puissance de l'outil diminue.
2. Ne rechargez jamais une batterie complètement chargée. La surcharge réduit la durée de service de la batterie.
3. Chargez la batterie à une température ambiante comprise entre 10 °C et 40 °C. Avant de charger une batterie chaude, laissez-la refroidir.

DESCRIPTION DU FONCTIONNEMENT

ATTENTION : Assurez-vous toujours que l'outil est hors tension et que sa batterie est retirée avant de l'ajuster ou de vérifier son fonctionnement.

Insertion ou retrait de la batterie

ATTENTION : Éteignez toujours l'outil avant de mettre en place ou de retirer la batterie.

ATTENTION : Tenez fermement l'outil et la batterie lors de la mise en place ou du retrait de la batterie. Si vous ne tenez pas fermement l'outil et la batterie, ils peuvent vous glisser des mains, et s'abîmer ou vous blesser.

► Fig.1: 1. Bouton 2. Batterie

Pour enlever la batterie, retirez-la de l'outil tout en appuyant sur les boutons des deux côtés de la batterie.

Pour mettre en place la batterie, alignez la languette sur la batterie avec la rainure sur le compartiment et insérez-la.

ATTENTION : Insérez-la toujours jusqu'à ce qu'elle se verrouille en place avec un léger déclic. Sinon, elle pourrait tomber accidentellement de l'outil, au risque de vous blesser ou de blesser quelqu'un se trouvant près de vous.

ATTENTION : N'insérez pas la batterie de force. Si elle ne glisse pas facilement, c'est que vous ne l'insérez pas correctement.

Système de protection de la batterie

L'outil est équipé d'un système de protection de la batterie. Ce système coupe automatiquement le courant de l'outil pour prolonger la durée de service de la batterie. L'outil s'arrêtera automatiquement en cours d'utilisation si l'outil et/ou la batterie se trouvent dans la situation suivante :

Faible tension de la batterie :

La charge restante de la batterie est trop faible et l'outil ne fonctionne pas. Si vous mettez l'outil sous tension, le moteur redémarre, mais s'arrête rapidement. Le cas échéant, retirez et rechargez la batterie.

Levier de verrouillage

⚠ ATTENTION : Lorsque vous n'utilisez pas l'outil, placez toujours le levier de verrouillage sur la position verrouillée B.

► Fig.2: 1. Levier de verrouillage

L'interrupteur ne peut pas être actionné lorsque le levier de verrouillage se trouve sur la position verrouillée B. L'interrupteur peut être actionné lorsque le levier de verrouillage se trouve sur la position déverrouillée A.

Fonctionnement de la gâchette

⚠ ATTENTION : Avant d'insérer la batterie dans l'outil, vérifiez toujours que l'interrupteur fonctionne bien et revient en position « Arrêt » lorsqu'il est relâché.

⚠ ATTENTION : Vérifiez toujours le sens de rotation avant d'utiliser l'outil.

► Fig.3: 1. Levier de verrouillage 2. Interrupteur

Pour démarrer l'outil, placez d'abord le levier de verrouillage sur la position déverrouillée A afin de libérer l'interrupteur. Puis appuyez simplement sur l'interrupteur du côté C ↶ pour une rotation dans le sens des aiguilles d'une montre et du côté D ↷ pour une rotation dans le sens inverse des aiguilles d'une montre. Pour arrêter l'outil, relâchez l'interrupteur.

REMARQUE : Ne changez de sens qu'une fois que l'outil est complètement arrêté. Si vous changez le sens de rotation avant l'arrêt de l'outil, vous risquez de l'endommager.

Réglage du couple de serrage

► Fig.5: 1. Bague de réglage 2. Graduation 3. Flèche

Le couple de serrage peut être réglé sur un des 22 niveaux en tournant la bague de réglage. Alignez les graduations sur la flèche de l'outil. Vous pouvez obtenir un couple de serrage minimum en sélectionnant 1 et un couple maximum en sélectionnant l'indication 22.

L'engrenage glissera quand sera atteint le couple de serrage correspondant au numéro sélectionné de 1 à 21.

L'engrenage ne fonctionne pas sur l'indication 22.

Avant d'effectuer le véritable travail, faites un essai de vissage dans le matériau en question ou dans un matériau identique pour savoir quel est le niveau de couple de serrage requis pour ce travail particulier.

NOTE : Reportez-vous au tableau suivant pour le rapport entre le numéro de réglage du couple et le régime du couple de serrage.

Le régime du couple de serrage est différent selon le matériau. Effectuez un serrage d'essai pour obtenir le couple souhaité avant d'utiliser l'outil.

Changement de vitesse

► Fig.4: 1. Levier de changement de vitesse

⚠ ATTENTION : Mettez toujours le levier de changement de vitesse parfaitement sur la bonne position. En utilisant l'outil avec le levier de changement de vitesse placé entre les côtés « 1 » et « 2 », vous risqueriez d'abîmer l'outil.


⚠ ATTENTION : Ne déplacez pas le levier de changement de vitesse pendant que l'outil tourne. Vous risqueriez d'abîmer l'outil.

Position du levier de changement de vitesse	Vitesse	Couple	Tâche applicable
1	Faible	Élevé	Tâche difficile
2	Élevée	Faible	Tâche facile

Pour changer de vitesse, mettez d'abord l'outil hors tension. Sélectionnez le côté « 2 » pour une vitesse élevée ou le côté « 1 » pour une vitesse lente avec couple élevé. Avant d'utiliser l'outil, assurez-vous que le levier de changement de vitesse se trouve sur la bonne position.

Si la vitesse de l'outil diminue considérablement pendant la tâche avec le réglage « 2 », faites glisser le levier sur « 1 » et recommencez.

Indications pour l'arrêt automatique de l'embrayage

Plage de fonctionnement de l'arrêt automatique de l'embrayage		Incréments sur la bague de réglage pour le couple de serrage	Couple de serrage
Élevé	Faible		
✓	✓	1	Environ 0,3 N•m (Environ 3 Kgf•cm)
✓	✓	5	Environ 0,82 N•m (Environ 8,4 Kgf•cm)
✓	✓	9	Environ 1,35 N•m (Environ 13,8 Kgf•cm)
-	✓	13	Environ 1,88 N•m (Environ 19,2 Kgf•cm)
-	✓	17	Environ 2,41 N•m (Environ 24,6 Kgf•cm)
-	✓	21	Environ 2,9 N•m (Environ 30 Kgf•cm)
-	-		À basse vitesse, environ 8 N•m (Environ 81,6 Kgf•cm)
-	-		À vitesse élevée, environ 1,5 N•m (Environ 14,7 Kgf•cm)

Lors du serrage de vis mécaniques	Incréments	Indications pour le diamètre des vis mécaniques
	1 - 3	2,5 mm
	4 - 8	3 mm
	9 - 18	4 mm
	19 - 21	5 mm

Allumage de la lampe avant

⚠ ATTENTION : Évitez de regarder directement le faisceau lumineux ou sa source.

Pour allumer la lampe, faites glisser le bouton de lampe sur la position A. Pour éteindre la lampe, faites glisser le bouton de lampe sur la position B.

Même si vous laissez la lampe allumée, l'éclairage s'éteint automatiquement au bout de 5 minutes.

► **Fig.6:** 1. Bouton de lampe 2. Lampe

NOTE : La lampe indique que la batterie est presque complètement épuisée en clignotant pendant l'utilisation.

À ce moment, rechargez la batterie ou remplacez-la par une batterie complètement chargée.

ASSEMBLAGE

⚠ ATTENTION : Assurez-vous toujours que l'outil est hors tension et que sa batterie est retirée avant d'effectuer toute tâche dessus.

Installation ou retrait de l'embout de vissage/embout à douille

► **Fig.7**

Utilisez exclusivement un embout de vissage/embout à douille doté de la partie à insérer indiquée sur la figure. N'utilisez aucun autre embout de vissage/embout à douille.

Pour outil à orifice d'embout de vissage peu profond

A = 12 mm B = 9 mm	Utilisez exclusivement ces types d'embout de vissage. Suivez la procédure 1. (Note) Porte-embout non requis.
-----------------------	--

Pour outil à orifice d'embout de vissage profond

A = 17 mm B = 14 mm	Pour installer ces types d'embout de vissage, suivez la procédure 1.
A = 12 mm B = 9 mm	Pour installer ces types d'embout de vissage, suivez la procédure 2. (Note) Un porte-embout est requis pour installer l'embout.

Procédure 1

► **Fig.8:** 1. Embout de vissage 2. Manchon

Pour installer l'embout de vissage, tirez le manchon dans le sens de la flèche et insérez l'embout de vissage à fond dans le manchon.

Libérez ensuite le manchon pour fixer l'embout de vissage.

Procédure 2

En plus de la **Procédure 1**, insérez le porte-embout dans le manchon avec son bout pointu tourné vers l'intérieur.

► **Fig.9:** 1. Embout de vissage 2. Porte-embout 3. Manchon

Pour retirer l'embout de vissage, tirez sur le manchon dans le sens de la flèche et enlevez l'embout de vissage.

NOTE : Si l'embout de vissage n'est pas inséré assez profondément dans le manchon, celui-ci ne revient pas à sa position d'origine et l'embout de vissage ne se trouve pas bien fixé. Dans ce cas, insérez à nouveau l'embout conformément aux instructions ci-dessus.

NOTE : Après avoir inséré l'embout de vissage, assurez-vous qu'il est fermement fixé. Ne l'utilisez pas s'il sort du manchon.

UTILISATION

ATTENTION : Lorsque vous pliez l'outil pour l'utiliser avec la forme de pistolet ou le redressez pour l'utiliser avec la forme droite, ne tenez pas la partie pliable de l'outil. Vous risqueriez autrement de vous pincer la main ou les doigts et de vous blesser.

L'outil peut être utilisé de deux façons : une forme droite ou une forme de pistolet est sélectionnable selon les conditions du lieu de travail et le vissage requis.

► Fig.10: 1. Forme droite 2. Forme de pistolet

Vissage

ATTENTION : Mettez la bague de réglage sur un niveau de couple de serrage adapté au travail à effectuer.


ATTENTION : Assurez-vous que l'embout de vissage est inséré bien droit dans la tête de vis, sinon vous risquerez d'abîmer la vis et/ou l'embout de vissage.

Placez la pointe de l'embout de vissage dans la tête de vis et appliquez une pression sur l'outil. Faites démarrer l'outil lentement, puis augmentez la vitesse graduellement. Relâchez la gâchette dès que l'engrenage s'active.

► Fig.11

NOTE : Lorsque vous insérez une vis à bois, percez d'abord un avant-trou d'un diamètre du 2/3 de celui de la vis. Cela facilitera le vissage et évitera que la pièce ne se fende.

Perçage

Tournez d'abord la bague de réglage de sorte que la flèche pointe vers l'indication . Procédez ensuite comme suit.

Perçage dans le bois

Lorsque vous percez dans le bois, vous obtiendrez un résultat optimal avec un foret à bois équipé d'une vis de guidage. La vis de guidage facilite le perçage en entraînant le foret dans la pièce.

Perçage dans le métal

Pour que le foret ne glisse pas quand vous commencez à percer le trou, faites une entaille à l'aide d'un pointeau et d'un marteau à l'emplacement prévu pour le trou. Placez la pointe du foret dans l'entaille et commencez à percer. Utilisez un lubrifiant de coupe pour percer les métaux. Seuls le fer et le laiton doivent être percés à sec.

ATTENTION : Une pression excessive sur l'outil n'accéléra pas le perçage. En fait, la pression excessive abîmera la pointe du foret, provoquera une baisse de rendement de l'outil et réduira sa durée de service.

ATTENTION : Tenez l'outil fermement et redoublez d'attention lorsque le foret commence à sortir par la face opposée de la pièce. Une très grande force s'exerce sur l'outil/foret lorsque celui-ci émerge sur la face opposée.

ATTENTION : Un foret coincé peut être retiré en réglant simplement l'inverseur sur la rotation inverse pour faire marche arrière. L'outil peut toutefois faire brusquement marche arrière si vous ne le tenez pas fermement.

ATTENTION : Immobilisez toujours les pièces à travailler dans un étau ou un dispositif de retenue similaire.

ATTENTION : Si l'outil est utilisé de manière continue jusqu'à ce que la batterie se décharge, laissez-le reposer 15 minutes avant de poursuivre le travail avec une batterie fraîchement chargée.

Utilisation de l'outil comme un tournevis à main

► Fig.12

Mettez l'outil hors tension.

Placez le levier de verrouillage sur la position verrouillée .

Faites tourner l'outil.

REMARQUE : Utilisez l'outil avec un couple de serrage inférieur à 5 N•m (50 Kgf•cm).

REMARQUE : N'utilisez pas l'outil pour des tâches nécessitant une force excessive, comme le serrage de boulons M6 ou plus grands que M6 ou le retrait de vis rouillées.

NOTE : Cette utilisation peut se révéler pratique pour vérifier le vissage.

ENTRETIEN

ATTENTION : Assurez-vous toujours que l'outil est hors tension et que la batterie est retirée avant d'y effectuer tout travail d'inspection ou d'entretien.

REMARQUE : N'utilisez jamais d'essence, benzine, diluant, alcool ou autre produit similaire. Cela risquerait de provoquer la décoloration, la déformation ou la fissuration de l'outil.

Pour assurer la SÉCURITÉ et la FIABILITÉ du produit, toute réparation, tout travail d'entretien ou de réglage doivent être effectués par un centre d'entretien Makita agréé, avec des pièces de rechange Makita.

ACCESSOIRES EN OPTION

⚠ ATTENTION : Ces accessoires ou pièces complémentaires sont recommandés pour l'utilisation avec l'outil Makita spécifié dans ce mode d'emploi. L'utilisation de tout autre accessoire ou pièce complémentaire peut comporter un risque de blessure. N'utilisez les accessoires ou pièces complémentaires qu'aux fins auxquelles ils ont été conçus.

Pour obtenir plus de détails sur ces accessoires, contactez votre centre d'entretien local Makita.

- Forets
- Embouts de vissage
- Embouts à douille
- Porte-embout
- Étui de transport en plastique
- Batterie et chargeur Makita d'origine

NOTE : Il se peut que certains éléments de la liste soient compris dans l'emballage de l'outil en tant qu'accessoires standard. Ils peuvent varier d'un pays à l'autre.

TECHNISCHE DATEN

Modell:		DF012D
Bohrkapazitäten	Stahl	5 mm
	Holz	6 mm
Anzugskapazitäten	Holzschraube	ø3,8 mm x 45 mm
	Maschinenschraube	M5
Leerlaufdrehzahl	Hoch (2)	650 min ⁻¹
	Niedrig (1)	200 min ⁻¹
Gesamtlänge	Mit Stabform	273 mm
	Mit Pistolenform	218 mm
Nennspannung		7,2 V Gleichstrom
Nettogewicht		0,53 - 0,54 kg

- Wir behalten uns vor, Änderungen der technischen Daten im Zuge der Entwicklung und des technischen Fortschritts ohne vorherige Ankündigung vorzunehmen.
- Die technischen Daten können von Land zu Land unterschiedlich sein.
- Das Gewicht kann abhängig von dem Aufsatz (den Aufsätzen), einschließlich des Akkus, unterschiedlich sein. Die leichteste und die schwerste Kombination, gemäß dem EPA-Verfahren 01/2014, sind in der Tabelle angegeben.

Zutreffende Akkus und Ladegeräte

Akku	BL7010 / BL0715
Ladegerät	DC10WA / DC10WB

- Einige der oben aufgelisteten Akkus und Ladegeräte sind je nach Ihrem Wohngebiet eventuell nicht erhältlich.

⚠️ WARNUNG: Verwenden Sie nur die oben aufgeführten Akkus und Ladegeräte. Bei Verwendung irgendwelcher anderer Akkus und Ladegeräte besteht Verletzungs- und/oder Brandgefahr.

Vorgesehene Verwendung

Das Werkzeug ist für Bohren und Schrauben in Holz, Metall und Kunststoff vorgesehen.

Geräusch

Typischer A-bewerteter Geräuschpegel ermittelt gemäß EN62841-2-1:

Schalldruckpegel (L_{pA}): 70 dB (A) oder weniger
Messunsicherheit (K): 3 dB (A)

Der Geräuschpegel kann während des Betriebs 80 dB (A) überschreiten.

HINWEIS: Der (Die) angegebene(n) Schallemissionswert(e) wurde(n) im Einklang mit der Standardprüfmethode gemessen und kann (können) für den Vergleich zwischen Werkzeugen herangezogen werden.

HINWEIS: Der (Die) angegebene(n) Schallemissionswert(e) kann (können) auch für eine Vorbewertung des Gefährdungsgrads verwendet werden.

⚠️ WARNUNG: Einen Gehörschutz tragen.

⚠️ WARNUNG: Die Schallemission während der tatsächlichen Benutzung des Elektrowerkzeugs kann je nach der Benutzungsweise des Werkzeugs, und speziell je nach der Art des bearbeiteten Werkstücks, von dem (den) angegebenen Wert(en) abweichen.

⚠️ WARNUNG: Identifizieren Sie Sicherheitsmaßnahmen zum Schutz des Benutzers anhand einer Schätzung des Gefährdungsgrads unter den tatsächlichen Benutzungsbedingungen (unter Berücksichtigung aller Phasen des Arbeitszyklus, wie z. B. Ausschalt- und Leerlaufzeiten des Werkzeugs zusätzlich zur Betriebszeit).

Schwingungen

Schwingungsgesamtwert (Drei-Achsen-Vektorsumme) ermittelt gemäß EN62841-2-1:

Arbeitsmodus: Bohren in Metall

Schwingungsemission (a_{h,D}): 2,5 m/s² oder weniger
Messunsicherheit (K): 1,5 m/s²

HINWEIS: Der (Die) angegebene(n) Vibrationsgesamtwert(e) wurde(n) im Einklang mit der Standardprüfmethode gemessen und kann (können) für den Vergleich zwischen Werkzeugen herangezogen werden.

HINWEIS: Der (Die) angegebene(n) Vibrationsgesamtwert(e) kann (können) auch für eine Vorbewertung des Gefährdungsgrads verwendet werden.

⚠️ WARNUNG: Die Vibrationsemission während der tatsächlichen Benutzung des Elektrowerkzeugs kann je nach der Benutzungsweise des Werkzeugs, und speziell je nach der Art des bearbeiteten Werkstücks, von dem (den) angegebenen Emissionswert(en) abweichen.

⚠️ WARNUNG: Identifizieren Sie Sicherheitsmaßnahmen zum Schutz des Benutzers anhand einer Schätzung des Gefährdungsgrads unter den tatsächlichen Benutzungsbedingungen (unter Berücksichtigung aller Phasen des Arbeitszyklus, wie z. B. Ausschalt- und Leerlaufzeiten des Werkzeugs zusätzlich zur Betriebszeit).

Konformitätserklärungen

Nur für europäische Länder

Die Konformitätserklärungen sind in Anhang A dieser Betriebsanleitung enthalten.

SICHERHEITSWARNUNGEN

Allgemeine Sicherheitswarnungen für Elektrowerkzeuge

⚠️ WARNUNG: Lesen Sie alle mit diesem Elektrowerkzeug gelieferten Sicherheitswarnungen, Anweisungen, Abbildungen und technischen Daten durch. Eine Missachtung der unten aufgeführten Anweisungen kann zu einem elektrischen Schlag, Brand und/oder schweren Verletzungen führen.

Bewahren Sie alle Warnungen und Anweisungen für spätere Bezugnahme auf.

Der Ausdruck „Elektrowerkzeug“ in den Warnhinweisen bezieht sich auf Ihr mit Netzstrom (mit Kabel) oder Akku (ohne Kabel) betriebenes Elektrowerkzeug.

Sicherheitswarnungen für Akku-Bohrschrauber

Sicherheitsanweisungen für alle Betriebsvorgänge

1. Halten Sie das Elektrowerkzeug an den isolierten Griffflächen, wenn Sie Arbeiten ausführen, bei denen die Gefahr besteht, dass das Schneidzubehör oder die Befestigungselemente verborgene Kabel kontaktieren. Wenn das Schneidzubehör oder die Befestigungselemente ein Strom führendes Kabel kontaktieren, können die freiliegenden Metallteile des Elektrowerkzeugs ebenfalls Strom führend werden, so dass der Benutzer einen elektrischen Schlag erleiden kann.

2. Achten Sie stets auf sicheren Stand. Vergewissern Sie sich bei Einsatz des Werkzeugs an hochgelegenen Arbeitsplätzen, dass sich keine Personen darunter aufhalten.
3. Halten Sie das Werkzeug mit festem Griff.
4. Halten Sie Ihre Hände von rotierenden Teilen fern.
5. Lassen Sie das Werkzeug nicht unbeaufsichtigt laufen. Benutzen Sie das Werkzeug nur mit Handhaltung.
6. Vermeiden Sie eine Berührung des Bohrereinsatzes oder des Werkstücks unmittelbar nach der Bearbeitung, weil die Teile noch sehr heiß sind und Hautverbrennungen verursachen können.
7. Manche Materialien können giftige Chemikalien enthalten. Treffen Sie Vorsichtsmaßnahmen, um das Einatmen von Arbeitsstaub und Hautkontakt zu verhindern. Befolgen Sie die Sicherheitsdaten des Materiallieferanten.
8. Falls der Bohrereinsatz selbst durch Öffnen der Futterbacken nicht gelöst werden kann, ziehen Sie ihn mit einer Zange heraus. In einem solchen Fall kann Herausziehen des Bohrereinsatzes von Hand zu einer Verletzung durch seine scharfe Kante führen.

Sicherheitsanweisungen bei Verwendung von langen Bohrereinsätzen

1. Arbeiten Sie niemals mit einer höheren Drehzahl als der Maximaldrehzahl des Bohrereinsatzes. Bei höheren Drehzahlen besteht die Gefahr, dass sich der Einsatz verbiegt, wenn zugelassen wird, dass er ohne Kontakt mit dem Werkstück frei rotiert, was zu Personenschäden führen kann.
2. Starten Sie den Bohrvorgang immer mit einer niedrigen Drehzahl und bei Kontakt der Einsatzspitze mit dem Werkstück. Bei höheren Drehzahlen besteht die Gefahr, dass sich der Einsatz verbiegt, wenn zugelassen wird, dass er ohne Kontakt mit dem Werkstück frei rotiert, was zu Personenschäden führen kann.
3. Üben Sie Druck nur in direkter Linie mit dem Einsatz aus, und wenden Sie keinen übermäßigen Druck an. Einsätze können sich verbiegen, was Bruch oder Verlust der Kontrolle verursachen und zu Personenschäden führen kann.

BEWAHREN SIE DIESE ANLEITUNG AUF.

⚠️ WARNUNG: Lassen Sie sich NICHT durch Bequemlichkeit oder Vertrautheit mit dem Produkt (durch wiederholten Gebrauch erworben) von der strikten Einhaltung der Sicherheitsregeln für das vorliegende Produkt abhalten. MISSBRAUCH oder Missachtung der Sicherheitsvorschriften in dieser Anleitung können schwere Personenschäden verursachen.

Wichtige Sicherheitsanweisungen für Akku

1. Lesen Sie vor der Benutzung des Akkus alle Anweisungen und Warnhinweise, die an (1) Ladegerät, (2) Akku und (3) Akkuwerkzeug angebracht sind.
2. Unterlassen Sie ein Zerlegen des Akkus.
3. Falls die Betriebszeit beträchtlich kürzer geworden ist, stellen Sie den Betrieb sofort ein. Anderenfalls besteht die Gefahr von Überhitzung, möglichen Verbrennungen und sogar einer Explosion.
4. Falls Elektrolyt in Ihre Augen gelangt, waschen Sie sie mit sauberem Wasser aus, und begeben Sie sich unverzüglich in ärztliche Behandlung. Anderenfalls können Sie Ihre Sehkraft verlieren.
5. Der Akku darf nicht kurzgeschlossen werden:
 - (1) Die Kontakte dürfen nicht mit leitfähigem Material berührt werden.
 - (2) Lagern Sie den Akku nicht in einem Behälter zusammen mit anderen Metallgegenständen, wie z. B. Nägel, Münzen usw.
 - (3) Setzen Sie den Akku weder Wasser noch Regen aus.

Ein Kurzschluss des Akkus verursacht starken Stromfluss, der Überhitzung, mögliche Verbrennungen und einen Defekt zur Folge haben kann.

6. Lagern Sie das Werkzeug und den Akku nicht an Orten, an denen die Temperatur 50 °C erreichen oder überschreiten kann.
7. Versuchen Sie niemals, den Akku zu verbrennen, selbst wenn er stark beschädigt oder vollkommen verbraucht ist. Der Akku kann im Feuer explodieren.
8. Achten Sie darauf, dass der Akku nicht fallen gelassen oder Stößen ausgesetzt wird.
9. Benutzen Sie keine beschädigten Akkus.
10. Die enthaltenen Lithium-Ionen-Akkus unterliegen den Anforderungen der Gefahrgut-Gesetzgebung. Für kommerzielle Transporte, z. B. durch Dritte oder Spediteure, müssen besondere Anforderungen zu Verpackung und Etikettierung beachtet werden. Zur Vorbereitung des zu transportierenden Artikels ist eine Beratung durch einen Experten für Gefahrgut erforderlich. Bitte beachten Sie möglicherweise ausführlichere nationale Vorschriften. Überkleben oder verdecken Sie offene Kontakte, und verpacken Sie den Akku so, dass er sich in der Verpackung nicht umher bewegen kann.
11. Entfernen Sie den Akku zum Entsorgen vom Werkzeug, und entsorgen Sie ihn an einem sicheren Ort. Befolgen Sie die örtlichen Vorschriften bezüglich der Entsorgung von Akkus.
12. Verwenden Sie die Akkus nur mit den von Makita angegebenen Produkten. Das Einsetzen der Akkus in nicht konforme Produkte kann zu einem Brand, übermäßiger Hitzebildung, einer Explosion oder Auslaufen von Elektrolyt führen.
13. Soll das Werkzeug längere Zeit nicht benutzt werden, muss der Akku vom Werkzeug entfernt werden.

DIESE ANWEISUNGEN AUFBEWAHREN.

⚠ VORSICHT: Verwenden Sie nur Original-Makita-Akkus. Die Verwendung von Nicht-Original-Makita-Akkus oder von Akkus, die abgeändert worden sind, kann zum Bersten des Akkus und daraus resultierenden Bränden, Personenschäden und Beschädigung führen. Außerdem wird dadurch die Makita-Garantie für das Makita-Werkzeug und -Ladegerät ungültig.

Hinweise zur Aufrechterhaltung der maximalen Akku-Nutzungsdauer

1. Laden Sie den Akku, bevor er vollkommen erschöpft ist. Schalten Sie das Werkzeug stets aus, und laden Sie den Akku, wenn Sie ein Nachlassen der Werkzeugleistung feststellen.
2. Unterlassen Sie erneutes Laden eines voll aufgeladenen Akkus. Überladen führt zu einer Verkürzung der Nutzungsdauer des Akkus.
3. Laden Sie den Akku bei Raumtemperatur zwischen 10 – 40 °C. Lassen Sie einen heißen Akku abkühlen, bevor Sie ihn laden.

FUNKTIONSBESCHREIBUNG

⚠ VORSICHT: Vergewissern Sie sich vor der Durchführung von Einstellungen oder Funktionsprüfungen des Werkzeugs stets, dass das Werkzeug ausgeschaltet und der Akku abgenommen ist.

Anbringen und Abnehmen des Akkus

⚠ VORSICHT: Schalten Sie das Werkzeug stets aus, bevor Sie den Akku anbringen oder abnehmen.

⚠ VORSICHT: Halten Sie das Werkzeug und den Akku beim Anbringen oder Abnehmen des Akkus sicher fest. Wenn Sie das Werkzeug und den Akku nicht sicher festhalten, können sie Ihnen aus der Hand rutschen, was zu einer Beschädigung des Werkzeugs und des Akkus und zu Körperverletzungen führen kann.

► Abb.1: 1. Knopf 2. Akku

Ziehen Sie den Akku zum Abnehmen vom Werkzeug ab, während Sie die Knöpfe auf beiden Seiten des Akkus drücken.

Um den Akku anzubringen, richten Sie die Feder am Akku auf die Nut im Gehäuse aus, und schieben den Akku hinein.

⚠ VORSICHT: Schieben Sie ihn stets vollständig ein, bis er mit einem leisen Klicken einrastet. Anderenfalls kann er versehentlich aus dem Werkzeug herausfallen und Sie oder umstehende Personen verletzen.

⚠ VORSICHT: Unterlassen Sie Gewaltanwendung beim Anbringen des Akkus. Falls der Akku nicht reibungslos hineingleitet, ist er nicht richtig ausgerichtet.

Akku-Schutzsystem

Das Werkzeug ist mit einem Akku-Schutzsystem ausgestattet. Dieses System schaltet die Stromversorgung des Motors automatisch ab, um die Akku-Lebensdauer zu verlängern.

Das Werkzeug schaltet sich während des Betriebs automatisch ab, wenn Werkzeug und/oder Akku der folgenden Bedingung unterliegen:

Niedrige Akkuspannung:

Die Akku-Restkapazität ist zu niedrig, und das Werkzeug funktioniert nicht. Wenn Sie das Werkzeug einschalten, läuft der Motor wieder an, bleibt aber bald darauf stehen. Nehmen Sie in dieser Situation den Akku ab, und laden Sie ihn auf.

Verriegelungshebel

⚠ VORSICHT: Wenn Sie das Werkzeug nicht benutzen, sollten Sie den Verriegelungshebel stets auf die Sperposition B stellen.

► Abb.2: 1. Verriegelungshebel

Befindet sich der Verriegelungshebel in der Sperposition B, kann der Schalter nicht betätigt werden.

Befindet sich der Verriegelungshebel in der Freigabeposition A, kann der Schalter betätigt werden.

Schalterfunktion

⚠ VORSICHT: Vergewissern Sie sich vor dem Anbringen des Akkus am Werkzeug stets, dass der Schalter ordnungsgemäß funktioniert und beim Loslassen in die AUS-Stellung zurückkehrt.


⚠ VORSICHT: Prüfen Sie stets die Drehrichtung, bevor Sie mit der Arbeit beginnen.

► Abb.3: 1. Verriegelungshebel 2. Schalter

Zum Einschalten des Werkzeugs schieben Sie den Verriegelungshebel zuerst auf die Freigabeposition A, um den Schalter zu entriegeln. Drücken Sie dann einfach die Seite ⇐ C des Schalters für Drehung im Uhrzeigersinn und die Seite ⇒ D für Drehung entgegen dem Uhrzeigersinn. Zum Anhalten des Werkzeugs lassen Sie den Schalter los.

Einstellen des Anzugsmoments

► Abb.5: 1. Einstellring 2. Teilstrich 3. Pfeil

Das Anzugsmoment kann durch Drehen des Einstellrings in 22 Stufen eingestellt werden. Richten Sie die Teilstriche auf den Pfeil am Werkzeuggehäuse aus. Das minimale Anzugsmoment erhält man bei 1, und das maximale bei dem Symbol .

In den Stellungen 1 bis 21 rutscht die Kupplung bei Erreichen des Soll Drehmoments durch. Bei Einstellung auf das Symbol  ist die Kupplung funktionsunfähig.

Bevor Sie mit der eigentlichen Schraubarbeit beginnen, sollten Sie eine Probeverschraubung mit Ihrem Material oder einem Stück des gleichen Materials durchführen, um das geeignete Anzugsmoment zu ermitteln.

HINWEIS: Die Beziehung zwischen der Anzugsmoment-Einstellung und der Anzugsmomentrate ist aus dem nachstehenden Diagramm ersichtlich.

Die Anzugsmomentrate hängt vom jeweiligen Material ab. Machen Sie vor der eigentlichen Arbeit eine Probeverschraubung, um das gewünschte Anzugsmoment zu erhalten.

ANMERKUNG: Schalten Sie die Drehrichtung erst um, nachdem das Werkzeug zu einem vollständigen Stillstand gekommen ist. Durch Umschalten der Drehrichtung bei noch laufendem Werkzeug kann das Werkzeug beschädigt werden.

Drehzahl-Umschaltung

► Abb.4: 1. Drehzahlumschalthebel

⚠ VORSICHT: Achten Sie stets darauf, dass sich der Drehzahlumschalthebel vollkommen in seiner jeweiligen Rastposition befindet. Wird das Werkzeug bei einer Zwischenstellung des Drehzahlumschalters zwischen den Positionen „1“ und „2“ betrieben, kann es beschädigt werden.


⚠ VORSICHT: Betätigen Sie den Drehzahlumschalthebel nicht während des Betriebs des Werkzeugs. Das Werkzeug kann sonst beschädigt werden.

Position des Drehzahlumschalthebels	Drehzahl	Drehmoment	Zutreffender Betrieb
1	Niedrig	Hoch	Betrieb mit schwerer Last
2	Hoch	Niedrig	Betrieb mit leichter Last

Zum Ändern der Drehzahl muss das Werkzeug zuerst ausgeschaltet werden. Wählen Sie die Seite „2“ für hohe Drehzahl, oder „1“ für niedrige Drehzahl, aber hohes Drehmoment. Vergewissern Sie sich vor Arbeitsbeginn stets, dass sich der Drehzahlumschalthebel in der korrekten Stellung befindet.

Falls die Werkzeugdrehzahl während des Betriebs mit „2“ sehr stark abfällt, schieben Sie den Hebel auf die Position „1“, und starten Sie den Betrieb neu.

Orientierungshilfe für Kupplungs-Autostopp

Arbeitsbereich von Kupplungs-Autostopp		Inkremente am Einstellring für Anzugsmoment	Anzugsmoment
Hoch	Niedrig		
✓	✓	1	Ca. 0,3 N•m (ca. 3 Kgf•cm)
✓	✓	5	Ca. 0,82 N•m (ca. 8,4 Kgf•cm)
✓	✓	9	Ca. 1,35 N•m (ca. 13,8 Kgf•cm)
-	✓	13	Ca. 1,88 N•m (ca. 19,2 Kgf•cm)
-	✓	17	Ca. 2,41 N•m (ca. 24,6 Kgf•cm)
-	✓	21	Ca. 2,9 N•m (ca. 30 Kgf•cm)
-	-		Bei niedriger Drehzahl ca. 8 N•m (ca. 81,6 Kgf•cm)
-	-		Bei hoher Drehzahl ca. 1,5 N•m (ca. 14,7 Kgf•cm)

Beim Eintreiben von Maschinenschrauben	Inkremente	Orientierungshilfe für Maschinenschraubendurchmesser
	1 - 3	2,5 mm
	4 - 8	3 mm
	9 - 18	4 mm
	19 - 21	5 mm

Einschalten der Frontlampe

⚠ VORSICHT: Blicken Sie nicht direkt in die Lampe oder die Lichtquelle.

Zum Einschalten der Lampe schieben Sie den Lampenschalter auf die Position A. Zum Ausschalten der Lampe schieben Sie den Lampenschalter auf die Position B.

Selbst wenn Sie die Lampe eingeschaltet lassen, schaltet sie sich nach 5 Minuten automatisch aus.

► **Abb.6:** 1. Lampenschalter 2. Lampe

HINWEIS: Die Lampe signalisiert durch Flackern während des Betriebs, wenn der Akku nahezu erschöpft ist.

Laden Sie in diesem Fall den Akku auf, oder ersetzen Sie ihn durch einen voll aufgeladenen.

MONTAGE

⚠ VORSICHT: Vergewissern Sie sich vor der Ausführung von Arbeiten am Werkzeug stets, dass das Werkzeug ausgeschaltet und der Akku abgenommen ist.

Montage und Demontage von Schraubendrehereinsatz/ Steckschlüsseinsatz

► Abb.7

Verwenden Sie nur Schraubendrehereinsätze/ Steckschlüsseinsätze, deren Einschubteil die in der Abbildung gezeigte Form hat. Verwenden Sie keinen anderen Schraubendrehereinsatz/ Steckschlüsseinsatz.

Für Werkzeug mit flacher Schraubendrehereinsatzaufnahme

A=12 mm
B=9 mm

Nur diese Schraubendrehereinsatztypen verwenden. Wenden Sie Verfahren 1 an. (Hinweis) Einsatzhalter wird nicht benötigt.

Für Werkzeug mit tiefer Schraubendrehereinsatzaufnahme

A=17 mm
B=14 mm

Zur Montage dieser Schraubendrehereinsatztypen wenden Sie Verfahren 1 an.

A=12 mm
B=9 mm

Zur Montage dieser Schraubendrehereinsatztypen wenden Sie Verfahren 2 an. (Hinweis) Für die Montage des Einsatzes wird ein Einsatzhalter benötigt.

Verfahren 1

► **Abb.8:** 1. Schraubendrehereinsatz 2. Werkzeugaufnahme

Ziehen Sie die Werkzeugaufnahme zum Anbringen des Schraubendrehereinsatzes in Pfeilrichtung, und führen Sie den Schraubendrehereinsatz bis zum Anschlag in die Werkzeugaufnahme ein.

Lassen Sie dann die Werkzeugaufnahme los, um den Schraubendrehereinsatz zu sichern.

Verfahren 2

Führen Sie den Einsatzhalter zusätzlich zum obigen **Verfahren 1** mit dem spitzen Ende nach innen in die Werkzeugaufnahme ein.

► **Abb.9:** 1. Schraubendrehereinsatz 2. Einsatzhalter 3. Werkzeugaufnahme

Ziehen Sie die Werkzeugaufnahme zum Abnehmen des Schraubendrehereinsatzes in Pfeilrichtung, und ziehen Sie dann den Schraubendrehereinsatz heraus.

HINWEIS: Wird der Schraubendrehereinsatz nicht tief genug in die Werkzeugaufnahme eingeführt, kehrt die Werkzeugaufnahme nicht zur Ausgangsstellung zurück, so dass der Schraubendrehereinsatz nicht eingespannt wird. Versuchen Sie in diesem Fall, den Einsatz wie oben beschrieben neu einzuführen.

HINWEIS: Vergewissern Sie sich nach dem Einführen des Schraubendrehereinsatzes, dass er einwandfrei gesichert ist. Verwenden Sie ihn nicht, falls er herausrutscht.

BETRIEB

⚠ VORSICHT: Wenn Sie das Werkzeug zur Benutzung in Pistoliform oder Stabform krümmen oder strecken, halten Sie nicht den Gelenkteil des Werkzeugs. Anderenfalls können Sie sich die Hände oder Finger klemmen und an diesem Teil verletzen.

Das Werkzeug kann auf zwei Weisen benutzt werden: in Stabform und in Pistoliform. Die Form kann je nach den Bedingungen des Arbeitsplatzes und der Schraubarbeiten gewählt werden.

► **Abb.10:** 1. Stabform 2. Pistoliform

Schraubetrieb

⚠ VORSICHT: Stellen Sie mit dem Einstellring das korrekte Anzugsmoment für Ihre Arbeit ein.


⚠ VORSICHT: Achten Sie darauf, dass die Spitze des Schraubendrehereinsatzes senkrecht in den Schraubekopf eingeführt wird, um eine Beschädigung von Schraube und/oder Schraubendrehereinsatz zu vermeiden.

Setzen Sie die Spitze des Schraubendrehereinsatzes in den Schraubekopf ein, und üben Sie Druck auf das Werkzeug aus. Lassen Sie das Werkzeug langsam anlaufen, und erhöhen Sie dann die Drehzahl allmählich. Lassen Sie den Ein-Aus-Schalter los, sobald die Kupplung durchrutscht.

► **Abb.11**

HINWEIS: Wenn Sie Holzschrauben eindrehen, bohren Sie eine Führungsbohrung von 2/3 des Schraubendurchmessers vor. Dies erleichtert das Eindrehen und verhindert Spaltung des Werkstücks.

Bohrbetrieb

Drehen Sie zunächst den Einstellring, bis der Pfeil auf das Symbol  zeigt. Gehen Sie dann folgendermaßen vor.

Bohren in Holz

Beim Bohren in Holz lassen sich die besten Ergebnisse mit Holzbohrern erzielen, die mit einer Zentrierspitze ausgestattet sind. Die Zentrierspitze erleichtert das Bohren, da sie den Bohrereinsatz in das Werkstück hineinzieht.

Bohren in Metall

Um Abrutschen des Bohrereinsatzes beim Anbohren zu vermeiden, empfiehlt es sich, die Bohrstelle mit einem Zentrierkörner anzukörnen. Setzen Sie dann die Spitze des Bohrereinsatzes in die Vertiefung, und beginnen Sie mit dem Bohren.

Verwenden Sie Schneidflüssigkeit beim Bohren von Metall. Eisen und Messing sollten jedoch trocken gebohrt werden.

⚠ VORSICHT: Übermäßige Druckausübung auf das Werkzeug bewirkt keine Beschleunigung der Bohrleistung. Im Gegenteil; übermäßiger Druck führt zu einer Beschädigung der Spitze des Bohrereinsatzes und damit zu einer Verringerung der Leistungsfähigkeit sowie zu einer Verkürzung der Lebensdauer des Werkzeugs.

⚠ VORSICHT: Halten Sie daher das Werkzeug mit festem Griff und lassen Sie Vorsicht walten, wenn der Bohrereinsatz im Begriff ist, aus dem Werkstück auszutreten. Beim Bohrungsdurchbruch wirkt ein hohes Rückdrehmoment auf Werkzeug und Bohrereinsatz.


⚠ VORSICHT: Ein festsitzender Bohrereinsatz lässt sich durch einfaches Umschalten der Drehrichtung wieder herausdrehen. Dabei sollten Sie aber das Werkzeug gut festhalten, damit es nicht ruckartig herausgestoßen wird.

⚠ VORSICHT: Spannen Sie Werkstücke stets in einen Schraubstock oder eine ähnliche Aufspannvorrichtung ein.

⚠ VORSICHT: Wenn das Werkzeug im Dauerbetrieb bis zur vollkommenen Entladung des Akkus benutzt wurde, lassen Sie das Werkzeug vor dem Fortsetzen des Betriebs mit einem frischen Akku 15 Minuten lang ruhen.

Verwendung des Werkzeugs als Handschrauber

► **Abb.12**

Schalten Sie das Werkzeug aus. Schieben Sie den Verriegelungshebel auf die Sperrposition . Drehen Sie das Werkzeug.

ANMERKUNG: Benutzen Sie das Werkzeug mit einem Anzugsmoment von weniger als 5 N•m (50 Kg•cm).

ANMERKUNG: Benutzen Sie das Werkzeug nicht für Arbeiten, die einen hohen Kraftaufwand erfordern, z. B. zum Anziehen von Schrauben der Größe M6 oder größer als M6 oder zum Herausdrehen rostiger Schrauben.

HINWEIS: Diese Benutzungsweise ist praktisch, um Schraubverbindungen zu prüfen.

WARTUNG

⚠ VORSICHT: Vergewissern Sie sich vor der Durchführung von Inspektions- oder Wartungsarbeiten stets, dass das Werkzeug ausgeschaltet und der Akku abgenommen ist.

ANMERKUNG: Verwenden Sie auf keinen Fall Benzin, Waschbenzin, Verdünner, Alkohol oder dergleichen. Solche Mittel können Verfärbung, Verformung oder Rissbildung verursachen.

Um die SICHERHEIT und ZUVERLÄSSIGKEIT dieses Produkts zu gewährleisten, sollten Reparaturen und andere Wartungs- oder Einstellarbeiten nur von Makita-Vertragswerkstätten oder Makita-Kundendienstzentren unter ausschließlicher Verwendung von Makita-Originalersatzteilen ausgeführt werden.

SONDERZUBEHÖR

⚠ VORSICHT: Die folgenden Zubehörteile oder Vorrichtungen werden für den Einsatz mit dem in dieser Anleitung beschriebenen Makita-Werkzeug empfohlen. Die Verwendung anderer Zubehörteile oder Vorrichtungen kann eine Verletzungsgefahr darstellen. Verwenden Sie Zubehörteile oder Vorrichtungen nur für ihren vorgesehenen Zweck.

Wenn Sie weitere Einzelheiten bezüglich dieser Zubehörteile benötigen, wenden Sie sich bitte an Ihre Makita-Kundendienststelle.

- Bohrereinsätze
- Schraubendrehereinsätze
- Steckschlüsseleinsätze
- Einsatzhalter
- Plastikkoffer
- Original-Makita-Akku und -Ladegerät

HINWEIS: Manche Teile in der Liste können als Standardzubehör im Werkzeugsatz enthalten sein. Sie können von Land zu Land unterschiedlich sein.

DATI TECNICI

Modello:		DF012D
Capacità di foratura	Acciaio	5 mm
	Legno	6 mm
Capacità di serraggio	Vite per legno	ø3,8 mm x 45 mm
	Vite per metallo	M5
Velocità a vuoto	Alta (2)	650 min ⁻¹
	Bassa (1)	200 min ⁻¹
Lunghezza totale	Nella forma diritta	273 mm
	Nella forma a pistola	218 mm
Tensione nominale		7,2 V CC
Peso netto		0,53 - 0,54 kg

- A causa del nostro programma continuativo di ricerca e sviluppo, i dati tecnici sono soggetti a modifiche senza preavviso.
- I dati tecnici possono variare da nazione a nazione.
- Il peso può variare a seconda dell'accessorio o degli accessori, inclusa la cartuccia della batteria. La combinazione più leggera e quella più pesante, secondo la procedura EPTA 01/2014, sono indicate nella tabella.

Cartuccia della batteria e caricabatterie applicabili

Cartuccia della batteria	BL7010 / BL0715
Caricabatterie	DC10WA / DC10WB

- Alcune cartucce delle batterie e alcuni caricabatterie elencati sopra potrebbero non essere disponibili a seconda della propria area geografica di residenza.

⚠AVVERTIMENTO: Utilizzare solo le cartucce delle batterie e i caricabatterie elencati sopra. L'utilizzo di altre cartucce delle batterie e di altri caricabatterie potrebbe causare lesioni personali e/o un incendio.

Utilizzo previsto

Questo utensile è progettato per la foratura e l'avvitatura delle viti in legno, metallo e plastica.

Rumore

Livello tipico di rumore pesato A determinato in base allo standard EN62841-2-1:

Livello di pressione sonora (L_{pA}): 70 dB (A) o inferiore
Incertezza (K): 3 dB (A)

Il livello del rumore nelle condizioni di lavoro può superare gli 80 dB (A).

NOTA: Il valore o i valori dichiarati delle emissioni di rumori sono stati misurati in conformità a un metodo standard di verifica, e possono essere utilizzati per confrontare un utensile con un altro.

NOTA: Il valore o i valori dichiarati delle emissioni di rumori possono venire utilizzati anche per una valutazione preliminare dell'esposizione.

⚠AVVERTIMENTO: Indossare protezioni per le orecchie.

⚠AVVERTIMENTO: L'emissione di rumori durante l'utilizzo effettivo dell'utensile elettrico può variare rispetto al valore o ai valori dichiarati, a seconda dei modi in cui viene utilizzato l'utensile e specialmente a seconda di che tipo di pezzo venga lavorato.

⚠AVVERTIMENTO: Accertarsi di identificare misure di sicurezza per la protezione dell'operatore che siano basate su una stima dell'esposizione nelle condizioni effettive di utilizzo (tenendo conto di tutte le parti del ciclo operativo, ad esempio del numero di spegnimenti dell'utensile e di quando giri a vuoto, oltre al tempo di attivazione).

Vibrazioni

Valore totale delle vibrazioni (somma vettoriale triassiale) determinato in base allo standard EN62841-2-1:

Modalità di lavoro: foratura del metallo
Emissione di vibrazioni ($a_{h,D}$): 2,5 m/s² o inferiore
Incertezza (K): 1,5 m/s²

NOTA: Il valore o i valori complessivi delle vibrazioni dichiarati sono stati misurati in conformità a un metodo standard di verifica, e possono essere utilizzati per confrontare un utensile con un altro.

NOTA: Il valore o i valori complessivi delle vibrazioni dichiarati possono venire utilizzati anche per una valutazione preliminare dell'esposizione.

⚠AVVERTIMENTO: L'emissione delle vibrazioni durante l'utilizzo effettivo dell'utensile elettrico può variare rispetto al valore o ai valori dichiarati, a seconda dei modi in cui viene utilizzato l'utensile, specialmente a seconda di che tipo di pezzo venga lavorato.

⚠AVVERTIMENTO: Accertarsi di identificare misure di sicurezza per la protezione dell'operatore che siano basate su una stima dell'esposizione nelle condizioni effettive di utilizzo (tenendo conto di tutte le parti del ciclo operativo, ad esempio del numero di spegnimenti dell'utensile e di quando giri a vuoto, oltre al tempo di attivazione).

Dichiarazioni di conformità

Solo per i paesi europei

Le Dichiarazioni di conformità sono incluse nell'Allegato A al presente manuale d'uso.

AVVERTENZE DI SICUREZZA

Avvertenze generali relative alla sicurezza dell'utensile elettrico

⚠AVVERTIMENTO: Leggere tutte le avvertenze di sicurezza, le istruzioni, le illustrazioni e i dati tecnici forniti con il presente utensile elettrico. La mancata osservanza di tutte le istruzioni elencate di seguito potrebbe risultare in scosse elettriche, incendi e/o gravi lesioni personali.

Conservare tutte le avvertenze e le istruzioni come riferimento futuro.

Il termine "utensile elettrico" nelle avvertenze si riferisce sia all'utensile elettrico (cablato) nel funzionamento alimentato da rete elettrica che all'utensile elettrico (a batteria) nel funzionamento alimentato a batteria.

Avvertenze per la sicurezza del trapano avvitatore a batteria

Istruzioni di sicurezza relative a tutte le operazioni

1. **Mantenere l'utensile elettrico per le sue superfici di impugnatura isolate, quando si intende eseguire un'operazione in cui l'accessorio da taglio o gli elementi di fissaggio potrebbero entrare in contatto con fili elettrici nascosti.** Accessori da taglio o elementi di fissaggio che entrino in contatto con un filo elettrico sotto tensione potrebbero mettere sotto tensione le parti metalliche esposte dell'utensile elettrico e trasmettere una scossa elettrica all'operatore.

2. **Accertarsi sempre di appoggiare i piedi saldamente. Quando si intende utilizzare l'utensile in ubicazioni elevate, accertarsi sempre che non sia presente alcuna persona sotto.**
3. **Tenere saldamente l'utensile.**
4. **Tenere le mani lontane dalle parti rotanti.**
5. **Non lasciare l'utensile mentre sta funzionando. Far funzionare l'utensile solo mentre lo si tiene in mano.**
6. **Non toccare la punta per trapano o il pezzo immediatamente dopo l'uso; la loro temperatura potrebbe essere estremamente elevata e potrebbero causare ustioni.**
7. **Alcuni materiali contengono sostanze chimiche che potrebbero essere tossiche. Fare attenzione a evitare l'inalazione della polvere e il contatto con la pelle. Attenersi ai dati relativi alla sicurezza del fornitore del materiale.**
8. **Qualora non sia possibile liberare la punta per trapano anche se si aprono le griffe, utilizzare delle pinze per estrarla. In questa circostanza, qualora si estraiga la punta per trapano con la mano, si potrebbero causare lesioni personali dovute al suo bordo affilato.**

Istruzioni di sicurezza quando si utilizzano punte per trapano lunghe

1. **Non far funzionare mai l'utensile a una velocità più elevata della velocità nominale massima della punta per trapano.** Alle velocità più elevate, è probabile che la punta si pieghi, qualora la si lasci ruotare liberamente senza entrare in contatto con il pezzo in lavorazione, il che potrebbe risultare in lesioni personali.
2. **Iniziare sempre a perforare a bassa velocità e con l'estremità della punta in contatto con il pezzo in lavorazione.** Alle velocità più elevate, è probabile che la punta si pieghi, qualora la si lasci ruotare liberamente senza entrare in contatto con il pezzo in lavorazione, il che potrebbe risultare in lesioni personali.
3. **Applicare pressione solo allineandosi senza inclinazioni con la punta, e non applicare pressione eccessiva.** Le punte possono piegarsi, causando rotture o perdita di controllo e risultando in lesioni personali.

CONSERVARE LE PRESENTI ISTRUZIONI.

⚠AVVERTIMENTO: NON lasciare che comodità o la familiarità d'utilizzo con il prodotto (acquisita con l'uso ripetuto) sostituisca la stretta osservanza delle norme di sicurezza per il prodotto in questione. L'USO IMPROPRIO o la mancata osservanza delle norme di sicurezza indicate nel presente manuale di istruzioni potrebbero causare gravi lesioni personali.

Istruzioni di sicurezza importanti per la cartuccia della batteria

1. **Prima di utilizzare la cartuccia della batteria, leggere tutte le istruzioni e le avvertenze riportate (1) sul caricabatteria, (2) sulla batteria e (3) sul prodotto che utilizza la batteria.**
2. **Non smontare la cartuccia della batteria.**
3. **Qualora il tempo di utilizzo si riduca eccessivamente, interrompere immediatamente l'utilizzo dell'utensile. In caso contrario, si può incorrere nel rischio di surriscaldamento, possibili ustioni e persino un'esplosione.**

4. Qualora l'elettrolita entri in contatto con gli occhi, sciacquarli con acqua pulita e richiedere immediatamente assistenza medica. Questa eventualità può risultare nella perdita della vista.
5. Non cortocircuitare la cartuccia della batteria:
 - (1) Non toccare i terminali con alcun materiale conduttivo.
 - (2) Evitare di conservare la cartuccia della batteria in un contenitore insieme ad altri oggetti metallici quali chiodi, monete, e così via.
 - (3) Non esporre la cartuccia della batteria all'acqua o alla pioggia.

Un cortocircuito della batteria può causare un grande flusso di corrente, un surriscaldamento, possibili ustioni e persino un guasto.

6. Non conservare l'utensile e la cartuccia della batteria in ubicazioni in cui la temperatura possa raggiungere o superare i 50°C.
7. Non incenerire la cartuccia della batteria anche qualora sia gravemente danneggiata o completamente esaurita. La cartuccia della batteria può esplodere se a contatto con il fuoco.
8. Fare attenzione a non far cadere e a non colpire la batteria.
9. Non utilizzare una batteria danneggiata.
10. Le batterie a ioni di litio contenute sono soggette ai requisiti del regolamento sul trasporto di merci pericolose (Dangerous Goods Legislation).

Per trasporti commerciali, ad esempio da parte di terzi o spedizionieri, è necessario osservare dei requisiti speciali sull'imballaggio e sull'etichetta.

Per la preparazione dell'articolo da spedire, è richiesta la consulenza di un esperto in materiali pericolosi. Attenersi anche alle normative nazionali, che potrebbero essere più dettagliate.

Nastrare o coprire i contatti aperti e imballare la batteria in modo tale che non si possa muovere liberamente all'interno dell'imballaggio.

11. Quando si intende smaltire la cartuccia della batteria, rimuoverla dall'utensile e smaltirla in un luogo sicuro. Attenersi alle normative locali relative allo smaltimento della batteria.
12. Utilizzare le batterie esclusivamente con i prodotti specificati da Makita. L'installazione delle batterie in prodotti non compatibili potrebbe risultare in incendi, calore eccessivo, esplosioni o perdite di liquido elettrolitico.
13. Se l'utensile non viene utilizzato per un periodo di tempo prolungato, la batteria deve essere rimossa dall'utensile.

CONSERVARE LE PRESENTI ISTRUZIONI.

ATTENZIONE: Utilizzare solo batterie originali Makita. L'utilizzo di batterie Makita non originali, o di batterie che siano state alterate, potrebbe risultare nello scoppio della batteria, causando incendi, lesioni personali e danni. Inoltre, ciò potrebbe invalidare la garanzia Makita per l'utensile e il caricabatterie Makita.

Suggerimenti per preservare la durata massima della batteria

1. Caricare la cartuccia della batteria prima che si scarichi completamente. Smettere sempre di utilizzare l'utensile e caricare la cartuccia della batteria quando si nota che la potenza dell'utensile è diminuita.
2. Non ricaricare mai una cartuccia della batteria completamente carica. La sovraccarica riduce la vita utile della batteria.
3. Caricare la cartuccia della batteria a una temperatura ambiente compresa tra 10°C e 40°C. Lasciar raffreddare una cartuccia della batteria prima di caricarla.

DESCRIZIONE DELLE FUNZIONI

ATTENZIONE: Accertarsi sempre che l'utensile sia spento e che la cartuccia della batteria sia stata rimossa prima di regolare o di controllare il funzionamento dell'utensile.

Installazione o rimozione della cartuccia della batteria

ATTENZIONE: Spegnerne sempre l'utensile prima di installare o rimuovere la cartuccia della batteria.

ATTENZIONE: Mantenere saldamente lo strumento e la batteria quando si intende installare o rimuovere la cartuccia della batteria. Qualora non si mantengano saldamente lo strumento e la cartuccia della batteria, questi ultimi potrebbero scivolare dalle mani, con la possibilità di causare un danneggiamento dello strumento e della cartuccia della batteria, nonché una lesione personale.

► Fig.1: 1. Pulsante 2. Cartuccia della batteria

Per rimuovere la cartuccia della batteria, estrarla dall'utensile tenendo premuti i pulsanti su entrambi i lati della cartuccia.

Per installare la cartuccia della batteria, allineare la linguetta sulla cartuccia della batteria con la scanalatura nell'alloggiamento e farla scivolare in sede.

ATTENZIONE: Inserirla sempre fino a quando si innesta in sede con un piccolo scatto. In caso contrario, potrebbe cadere accidentalmente dall'utensile, causando lesioni personali all'utilizzatore o alle persone circostanti.

ATTENZIONE: Non installare forzatamente la cartuccia della batteria. Qualora la batteria non si inserisca scorrendo agevolmente, vuol dire che non viene inserita correttamente.

Sistema di protezione della batteria

L'utensile è dotato di un sistema di protezione della batteria. Questo sistema interrompe automaticamente l'alimentazione al motore per prolungare la vita utile della batteria.

L'utensile si arresta automaticamente durante il funzionamento qualora l'utensile stesso e/o la batteria vengano a trovarsi nella condizione seguente:

Bassa tensione della batteria:

La carica residua della batteria è troppo bassa e non è possibile utilizzare l'utensile. Se si accende l'utensile, il motore gira di nuovo, ma si arresta dopo poco. In tal caso, rimuovere e ricaricare la batteria.

Leva di blocco

⚠ATTENZIONE: Quando non si intende utilizzare l'utensile, posizionare sempre la leva di blocco nella posizione bloccata B.

► Fig.2: 1. Leva di blocco

Quando la leva di blocco è nella posizione bloccata B, non è possibile attivare l'interruttore.

Quando la leva di blocco è nella posizione sbloccata A, è possibile attivare l'interruttore.

Funzionamento dell'interruttore

⚠ATTENZIONE: Prima di installare la cartuccia della batteria nell'utensile, verificare sempre che l'interruttore funzioni correttamente e ritorni sulla posizione "OFF" quando viene rilasciato.


⚠ATTENZIONE: Controllare sempre la direzione di rotazione prima dell'uso.


► Fig.3: 1. Leva di blocco 2. Commutatore

Per avviare l'utensile, spostare innanzitutto la leva di blocco sulla posizione sbloccata A per sbloccare l'interruttore. Quindi, premere semplicemente l'interruttore dal lato ⇐ C per la rotazione in senso orario e dal lato ⇒ D per la rotazione in senso antiorario. Per arrestare l'utensile, rilasciare l'interruttore.

Regolazione della coppia di serraggio

► Fig.5: 1. Ghiera di regolazione 2. Graduazione
3. Freccia

È possibile regolare la coppia di serraggio su 22 livelli ruotando la ghiera di regolazione. Allineare le graduazioni con la freccia sul corpo dell'utensile. È possibile ottenere la coppia di serraggio minima nell'impostazione 1 e la coppia di serraggio massima nella posizione indicata dal simbolo .

La frizione interviene a vari livelli di coppia quando quest'ultima viene impostata su un numero da 1 a 21. La frizione non è operativa alla posizione indicata dal simbolo .

Prima di cominciare il lavoro effettivo, avvitare una vite di prova nel materiale utilizzato o in un pezzo dello stesso materiale, in modo da determinare il livello di coppia necessario per un'applicazione specifica.

NOTA: Vedere la tabella seguente per il rapporto tra il numero dell'impostazione della coppia e il livello della coppia di serraggio.

Il livello della coppia di serraggio potrebbe variare a seconda dei materiali. Effettuare un serraggio di prova per ottenere la coppia desiderata prima dell'uso.

AVVISO: Cambiare la direzione solo dopo l'arresto completo dell'utensile. Qualora si cambi la direzione di rotazione prima dell'arresto dell'utensile, si potrebbe danneggiare quest'ultimo.

Modifica della velocità

► Fig.4: 1. Leva di modifica della velocità


⚠ATTENZIONE: Impostare sempre la leva di modifica della velocità con precisione sulla posizione corretta. Qualora si utilizzi l'utensile con la leva di modifica della velocità su una posizione intermedia tra il lato "1" e il lato "2", l'utensile potrebbe venire danneggiato.

⚠ATTENZIONE: Non utilizzare la leva di modifica della velocità mentre l'utensile è in funzione. In caso contrario, l'utensile potrebbe venire danneggiato.

Posizione della leva di modifica della velocità	Velocità	Coppia	Operazione applicabile
1	Bassa	Alta	Operazione a carico elevato
2	Alta	Bassa	Operazione a basso carico

Per modificare la velocità, spegnere prima l'utensile. Selezionare il lato "2" per l'alta velocità o il lato "1" per la bassa velocità con coppia elevata. Accertarsi che la leva di modifica della velocità sia impostata sulla posizione corretta prima di procedere con il lavoro. Qualora la velocità dell'utensile si riduca notevolmente durante il funzionamento con l'impostazione "2", far scorrere la leva sulla posizione "1" e ricominciare l'operazione.

Indicazioni relative all'arresto automatico mediante frizione

Intervallo operativo dell'arresto automatico mediante frizione		Incrementi sulla ghiera di regolazione per la coppia di serraggio	Coppia di serraggio
Alta	Bassa		
✓	✓	1	Circa 0,3 N•m (circa 3 Kgf•cm)
✓	✓	5	Circa 0,82 N•m (circa 8,4 Kgf•cm)
✓	✓	9	Circa 1,35 N•m (circa 13,8 Kgf•cm)
-	✓	13	Circa 1,88 N•m (circa 19,2 Kgf•cm)
-	✓	17	Circa 2,41 N•m (circa 24,6 Kgf•cm)
-	✓	21	Circa 2,9 N•m (circa 30 Kgf•cm)
-	-		A bassa velocità, circa 8 N•m (circa 81,6 Kgf•cm)
-	-		Ad alta velocità, circa 1,5 N•m (circa 14,7 Kgf•cm)

Quando si intende avvitare viti per metallo	Incrementi	Indicazioni relative al diametro delle viti per metallo
	1 - 3	2,5 mm
	4 - 8	3 mm
	9 - 18	4 mm
	19 - 21	5 mm

Accensione della lampadina anteriore

⚠ATTENZIONE: Non osservare né guardare direttamente la fonte di luce.

Per accendere la lampadina, far scorrere l'interruttore della lampadina sulla posizione A. Per spegnere la lampadina, far scorrere l'interruttore della lampadina sulla posizione B.

Anche se si lascia la lampadina accesa, la luce si spegne automaticamente dopo 5 minuti.

► **Fig.6:** 1. Interruttore della lampadina 2. Lampadina

NOTA: La lampadina indica quando la carica della batteria è quasi esaurita mediante uno sfarfallamento durante l'uso.

In questa circostanza, ricaricare la batteria o sostituirla con una completamente carica.

MONTAGGIO

⚠ATTENZIONE: Accertarsi sempre che l'utensile sia spento e che la cartuccia della batteria sia stata rimossa, prima di effettuare qualsiasi intervento sull'utensile.

Installazione o rimozione della punta per avvitatore o della punta a bussola

► **Fig.7**

Utilizzare solo una punta per avvitatore o una punta a bussola dotata della parte di inserimento indicata in figura. Non utilizzare punte per avvitatore o punte a bussola di tipo diverso.

Per un utensile con foro poco profondo per la punta per avvitatore

A=12 mm B=9 mm	Utilizzare solo questo tipo di punta per avvitatore. Attenersi alla procedura 1. (Nota) L'adattatore per punte non è necessario.
-------------------	---

Per un utensile con foro profondo per la punta per avvitatore

A=17 mm B=14 mm	Per installare questi tipi di punte per avvitatore, attenersi alla procedura 1.
A=12 mm B=9 mm	Per installare questi tipi di punte per avvitatore, attenersi alla procedura 2. (Nota) L'adattatore per punte è necessario per installare la punta.

Procedura 1

► **Fig.8:** 1. Punta per avvitatore 2. Manicotto

Per installare la punta per avvitatore, tirare il manicotto nella direzione della freccia e inserire fino in fondo la punta per avvitatore nel manicotto.

Quindi, sbloccare il manicotto per fissare la punta per avvitatore.

Procedura 2

In aggiunta alla **Procedura 1**, inserire l'adattatore per punte nel manicotto con l'estremità appuntita rivolta verso l'interno.

► **Fig.9:** 1. Punta per avvitatore 2. Adattatore per punte 3. Manicotto

Per rimuovere la punta per avvitatore, tirare il manicotto nella direzione della freccia ed estrarre la punta per avvitatore.

NOTA: Qualora la punta per avvitatore non sia inserita fino in fondo nel manicotto, quest'ultimo non torna sulla sua posizione originale e la punta per avvitatore non viene fissata. In tal caso, provare a reinserire la punta attenendosi alle istruzioni indicate sopra.

NOTA: Dopo aver inserito la punta per avvitatore, accertarsi che sia fissata saldamente. Qualora fuoriesca, non utilizzarla.

FUNZIONAMENTO

ATTENZIONE: Quando si intende piegare l'utensile per utilizzarlo nella forma a pistola o raddrizzarlo per utilizzarlo nella forma dritta, non afferrare la parte pieghevole dell'utensile. In caso contrario, la mano e le dita potrebbero restare incastrate e subire lesioni causate da questa parte.

È possibile utilizzare l'utensile in due modi: con una forma dritta e con una forma a pistola, selezionabili in base alle condizioni del luogo di lavoro e dell'avvitamento.

► **Fig.10:** 1. Forma dritta 2. Forma a pistola

Operazione di avvitatura

ATTENZIONE: Regolare la ghiera di regolazione sul livello di coppia appropriato al lavoro in questione.


ATTENZIONE: Accertarsi che la punta per avvitatore sia inserita dritta nella testa della vite, in caso contrario la vite e/o la punta per avvitatore potrebbero danneggiarsi.

Posizionare l'estremità della punta per avvitatore sulla testa della vite e applicare pressione all'utensile. Avviare l'utensile lentamente e aumentare gradualmente la velocità. Rilasciare l'interruttore a grilletto non appena la frizione entra in funzione.

► **Fig.11**

NOTA: Quando si intende avvitare una vite per legno, eseguire una preforatura di un foro guida di 2/3 del diametro della vite. Questa procedura agevola l'avvitatura ed evita la spaccatura del pezzo.

Operazione di foratura

Innanzitutto, ruotare la ghiera di regolazione in modo che la freccia punti sul simbolo . Quindi, procedere nel modo seguente.

Foratura del legno

Per la foratura del legno si ottengono i risultati migliori con i trapani per legno dotati di una vite guida. La vite guida rende più facile la foratura tirando la punta per trapano nel pezzo.

Foratura del metallo

Per evitare lo scivolamento della punta all'inizio della foratura, utilizzare un punzone per centri e un martello per creare un'intaccatura nel punto da forare. Posizionare l'estremità della punta per trapano nell'intaccatura e iniziare la foratura.

Quando si intende forare metalli, utilizzare un lubrificante per taglio. Le eccezioni sono il ferro e l'ottone, che vanno forati a secco.

ATTENZIONE: Se si esercita una pressione eccessiva sull'utensile, non si accelera la foratura. In realtà, tale pressione eccessiva produce solo l'effetto di danneggiare l'estremità della punta per trapano e di ridurre le prestazioni e la vita utile dell'utensile.

ATTENZIONE: Tenere saldamente l'utensile e fare attenzione quando la punta per trapano inizia a fuoriuscire dal pezzo. Sull'utensile/punta per trapano viene esercitata una forza estrema al momento della fuoriuscita dal foro.

ATTENZIONE: Una punta per trapano incastrata può venire rimossa semplicemente impostando il commutatore di inversione della rotazione sulla rotazione invertita, in modo da far tornare indietro l'utensile. Tuttavia, l'utensile potrebbe tornare indietro bruscamente, qualora non venga impugnato saldamente.


ATTENZIONE: Fissare sempre i pezzi in lavorazione in una morsa o un dispositivo simile per tenerli fermi.

ATTENZIONE: Qualora si faccia funzionare continuamente l'utensile fino allo scaricamento della cartuccia della batteria, lasciarlo riposare per 15 minuti prima di continuare a lavorare con una batteria nuova.

Uso dell'utensile come cacciavite manuale

► **Fig.12**

Spegnere l'utensile.

Spostare la leva di blocco sulla posizione bloccata . Girare l'utensile.

AVVISO: Utilizzare l'utensile con una coppia di serraggio inferiore a 5 N•m (50 Kg•cm).

AVVISO: Non utilizzare l'utensile per lavori che richiedano una forza eccessiva, ad esempio per serrare bulloni M6 o superiori al formato M6 o per la rimozione di viti arrugginite.

NOTA: Questa modalità d'uso è utile per la verifica dell'avvitatura.

MANUTENZIONE

⚠ATTENZIONE: Accertarsi sempre che l'utensile sia spento e che la cartuccia della batteria sia stata rimossa prima di tentare di eseguire interventi di ispezione o manutenzione.

AVVISO: Non utilizzare mai benzina, benzene, solventi, alcol o altre sostanze simili. In caso contrario, si potrebbero causare scolorimenti, deformazioni o crepe.

Per preservare la SICUREZZA e l'AFFIDABILITÀ del prodotto, le riparazioni e qualsiasi altro intervento di manutenzione e di regolazione devono essere eseguiti da un centro di assistenza autorizzato Makita, utilizzando sempre ricambi Makita.

ACCESSORI OPZIONALI

⚠ATTENZIONE: Questi accessori o componenti aggiuntivi sono consigliati per l'uso con l'utensile Makita specificato nel presente manuale. L'impiego di altri accessori o componenti aggiuntivi può costituire un rischio di lesioni alle persone. Utilizzare gli accessori o i componenti aggiuntivi solo per il loro scopo prefissato.

Per ottenere ulteriori dettagli relativamente a questi accessori, rivolgersi a un centro di assistenza Makita.

- Punta per trapano
- Punta per avvitatore
- Punta a bussola
- Adattatore per punta
- Valigetta di plastica
- Batteria e caricabatterie originali Makita

NOTA: Alcuni articoli nell'elenco potrebbero essere inclusi nell'imballaggio dell'utensile come accessori standard. Tali articoli potrebbero variare da nazione a nazione.

TECHNISCHE GEGEVENS

Model:		DF012D
Boorcapaciteiten	Staal	5 mm
	Hout	6 mm
Bevestigingscapaciteiten	Houtschroef	ø3,8 mm x 45 mm
	Kolomschroef	M5
Nullasttoerental	Hoog (2)	650 min ⁻¹
	Laag (1)	200 min ⁻¹
Totale lengte	In rechte stand	273 mm
	In haakse stand	218 mm
Nominale spanning		7,2 V gelijkspanning
Nettogewicht		0,53 - 0,54 kg

- In verband met ononderbroken research en ontwikkeling, behouden wij ons het recht voor de bovenstaande technische gegevens zonder voorafgaande kennisgeving te wijzigen.
- De technische gegevens kunnen van land tot land verschillen.
- Het gewicht kan verschillen afhankelijk van de hulpstukken, waaronder de accu. De lichtste en zwaarste combinatie, overeenkomstig de EPTA-procedure 01/2014, worden getoond in de tabel.

Toepasselijke accu's en laders

Accu	BL7010 / BL0715
Lader	DC10WA / DC10WB

- Sommige van de hierboven vermelde accu's en laders zijn mogelijk niet leverbaar afhankelijk van waar u woont.

⚠️ WAARSCHUWING: Gebruik uitsluitend de accu's en laders die hierboven worden genoemd. Gebruik van enige andere accu of lader kan leiden tot letsel en/of brand.

Gebruiksdoeleinden

Dit gereedschap is bestemd voor het boren en schroeven in hout, metaal en plastic.

Geluidsniveau

De typische, A-gewogen geluidsniveaus zijn gemeten volgens EN62841-2-1:

Geluidsdrukniveau (L_{pA}): 70 dB (A) of lager
Onzekerheid (K): 3 dB (A)

Het geluidsniveau kan tijdens gebruik hoger worden dan 80 dB (A).

OPMERKING: De opgegeven geluidsemissiewaarde(n) is/zijn gemeten volgens een standaardtestmethode en kan/kunnen worden gebruikt om dit gereedschap te vergelijken met andere gereedschappen.

OPMERKING: De opgegeven geluidsemissiewaarde(n) kan/kunnen ook worden gebruikt voor een beoordeling vooraf van de blootstelling.

⚠️ WAARSCHUWING: Draag gehoorbescherming.

⚠️ WAARSCHUWING: De geluidsemissie tijdens het gebruik van het elektrisch gereedschap in de praktijk kan verschillen van de opgegeven waarde(n) afhankelijk van de manier waarop het gereedschap wordt gebruikt, met name van het soort werkstuk waarmee wordt gewerkt.

⚠️ WAARSCHUWING: Zorg ervoor dat veiligheidsmaatregelen worden getroffen ter bescherming van de gebruiker die zijn gebaseerd op een schatting van de blootstelling onder praktijkomstandigheden (rekening houdend met alle fasen van de bedrijfscyclus, zoals de tijdsduur gedurende welke het gereedschap is uitgeschakeld en stationair draait, naast de ingeschakelde tijdsduur).

Trilling

De totale trillingswaarde (triaxiale vectorsom) zoals vastgesteld volgens EN62841-2-1:
Gebruikstoepassing: boren in metaal
Trillingsemissie (a_{hD}): 2,5 m/s² of lager
Onzekerheid (K): 1,5 m/s²

OPMERKING: De totale trillingswaarde(n) is/zijn gemeten volgens een standaardtestmethode en kan/kunnen worden gebruikt om dit gereedschap te vergelijken met andere gereedschappen.

OPMERKING: De opgegeven totale trillingswaarde(n) kan/kunnen ook worden gebruikt voor een beoordeling vooraf van de blootstelling.

⚠️ WAARSCHUWING: De trillingsemisatie tijdens het gebruik van het elektrisch gereedschap in de praktijk kan verschillen van de opgegeven waarde(n) afhankelijk van de manier waarop het gereedschap wordt gebruikt, met name van het soort werkstuk waarmee wordt gewerkt.

⚠️ WAARSCHUWING: Zorg ervoor dat veiligheidsmaatregelen worden getroffen ter bescherming van de gebruiker die zijn gebaseerd op een schatting van de blootstelling onder praktijkomstandigheden (rekening houdend met alle fasen van de bedrijfscyclus, zoals de tijdsduur gedurende welke het gereedschap is uitgeschakeld en stationair draait, naast de ingeschakelde tijdsduur).

Verklaringen van conformiteit

Alleen voor Europese landen

De verklaringen van conformiteit zijn bijgevoegd in Bijlage A bij deze gebruiksaanwijzing.

VEILIGHEIDSWAARSCHUWINGEN

Algemene veiligheidswaarschuwingen voor elektrisch gereedschap

⚠️ WAARSCHUWING: Lees alle veiligheidswaarschuwingen, aanwijzingen, afbeeldingen en technische gegevens behorend bij dit elektrische gereedschap aandachtig door. Als u niet alle onderstaande aanwijzingen naleeft, kan dat resulteren in brand, elektrische schokken en/of ernstig letsel.

Bewaar alle waarschuwingen en instructies om in de toekomst te kunnen raadplegen.

De term "elektrisch gereedschap" in de veiligheidsvoorschriften duidt op gereedschappen die op stroom van het lichtnet werken (met snoer) of gereedschappen met een accu (snoerloos).

Veiligheidswaarschuwingen voor een accuschroefboormachine

Veiligheidsinstructies voor alle werkzaamheden

1. **Houd het elektrisch gereedschap alleen vast aan de geïsoleerde handgrepen wanneer de kans bestaat dat het accessoire of de bevestigingsmiddelen in aanraking kunnen komen met verborgen bedrading.** Wanneer accessoires of bevestigingsmiddelen in aanraking komen met onder spanning staande draden, zullen de niet-geïsoleerde metalen delen van het elektrisch gereedschap onder spanning komen te staan zodat de gebruiker een elektrische schok kan krijgen.

2. **Zorg ook altijd dat u stevig op een solide bodem staat. Let bij het werken op hoge plaatsen op dat er zich niemand recht onder u bevindt.**
3. **Houd het gereedschap stevig vast.**
4. **Houd uw handen uit de buurt van draaiende onderdelen.**
5. **Laat het gereedschap niet draaiend achter. Schakel het gereedschap alleen in wanneer u het stevig vasthoudt.**
6. **Raak direct na uw werk het boorbit of het werkstuk niet aan. Zij kunnen bijzonder heet zijn en brandwonden op uw huid veroorzaken.**
7. **Bepaalde materialen kunnen giftige chemicaliën bevatten. Vermijd contact met uw huid en zorg dat u geen stof inademt. Volg de veiligheidsvoorschriften van de fabrikant van het materiaal.**
8. **Als het boorbit niet kan worden losgemaakt ondanks dat de klauwen geopend zijn, gebruikt u een tang om het eruit te trekken. In dat geval kan met de hand eruit trekken leiden tot letsel vanwege zijn scherpe rand.**

Veiligheidsinstructies bij gebruik van lange boorbits

1. **Gebruik nooit op een hoger toerental dan het maximale nominale toerental van het boorbit.** Op een hoger toerental zal het bit waarschijnlijk verbuigen als het vrij ronddraait zonder contact met het werkstuk, waardoor persoonlijk letsel kan ontstaan.
2. **Begin altijd te boren op een laag toerental en terwijl de punt van het bit contact maakt met het werkstuk.** Op een hoger toerental zal het bit waarschijnlijk verbuigen als het vrij ronddraait zonder contact met het werkstuk, waardoor persoonlijk letsel kan ontstaan.
3. **Oefen alleen druk uit in een rechte lijn met het bit en oefen geen buitensporige druk uit.** Bits kunnen verbuigen waardoor ze kunnen breken of u de controle kunt verliezen, met persoonlijk letsel tot gevolg.

BEWAAR DEZE INSTRUCTIES.

⚠️ WAARSCHUWING: Laat u NIET misleiden door een vals gevoel van comfort en bekendheid met het gereedschap (na veelvuldig gebruik) en neem alle veiligheidsvoorschriften van het betreffende gereedschap altijd strikt in acht. **VERKEERD GEBRUIK** of het niet naleven van de veiligheidsvoorschriften in deze gebruiksaanwijzing kan leiden tot ernstig persoonlijk letsel.

Belangrijke veiligheidsinstructies voor een accu

1. **Lees alle voorschriften en waarschuwingen op (1) de acculader, (2) de accu, en (3) het product waarvoor de accu wordt gebruikt, alvorens de accu in gebruik te nemen.**
2. **Neem de accu niet uit elkaar.**
3. **Als de gebruikstijd van een opgeladen accu aanzienlijk korter is geworden, moet u het gebruik ervan onmiddellijk stopzetten. Voortgezet gebruik kan oververhitting, brandwonden en zelfs een ontploffing veroorzaken.**

4. Als elektrolyt in uw ogen is terechtgekomen, spoelt u uw ogen met schoon water en roept u onmiddellijk de hulp van een dokter in. Elektrolyt in de ogen kan blindheid veroorzaken.
5. Voorkom kortsluiting van de accu:
 - (1) Raak de accuklemmen nooit aan met een geleidend materiaal.
 - (2) Bewaar de accu niet in een bak waarin andere metalen voorwerpen zoals spijkers, munten e.d. worden bewaard.
 - (3) Stel de accu niet bloot aan water of regen. Kortsluiting van de accu kan oorzaak zijn van een grote stroomafgifte, oververhitting, brandwonden, en zelfs defecten.
6. Bewaar het gereedschap en de accu niet op plaatsen waar de temperatuur kan oplopen tot 50°C of hoger.
7. Werp de accu nooit in het vuur, ook niet wanneer hij zwaar beschadigd of volledig versleten is. De accu kan ontploffen in het vuur.
8. Wees voorzichtig dat u de accu niet laat vallen en hem niet blootstelt aan schokken of stoten.
9. Gebruik nooit een beschadigde accu.
10. De bijgeleverde lithium-ionbatterijen zijn onderhevig aan de vereisten in de wetgeving omtrent gevaarlijke stoffen.
 Voor commercieel transport en dergelijke doorden en transporteurs moeten speciale vereisten ten aanzien van verpakking en etikettering worden nageleefd.
 Als voorbereiding van het artikel dat wordt getransporteerd is het noodzakelijk een expert op het gebied van gevaarlijke stoffen te raadplegen. Houd u tevens aan mogelijk strengere nationale regelgeving.
 Blootliggende contactpunten moeten worden afgedekt met tape en de accu moet zodanig worden verpakt dat deze niet kan bewegen in de verpakking.
11. Wanneer u de accu wilt weggooien, verwijdert u de accu vanaf het gereedschap en gooit u hem op een veilige manier weg. Volg bij het weggooien van de accu de plaatselijke voorschriften.
12. Gebruik de accu's uitsluitend met de gereedschappen die door Makita zijn aanbevolen. Als de accu's worden aangebracht in niet-compatibele gereedschappen, kan dat leiden tot brand, buitensporige warmteontwikkeling, een explosie of lekkage van elektrolyt.
13. Als u het gereedschap gedurende een lange tijd niet denkt te gaan gebruiken, moet de accu vanaf het gereedschap worden verwijderd.

BEWAAR DEZE INSTRUCTIES.

⚠ LET OP: Gebruik uitsluitend originele Makita accu's. Het gebruik van niet-originele accu's, of accu's die zijn gewijzigd, kan ertoe leiden dat de accu ontploft en brand, persoonlijk letsel en schade veroorzaakt. Ook vervalt daarmee de garantie van Makita op het gereedschap en de lader van Makita.

Tips voor een maximale levensduur van de accu

1. Laad de accu op voordat hij volledig ontladen is. Stop het gebruik van het gereedschap en laad de accu op telkens wanneer u vaststelt dat het vermogen van het gereedschap is afgenomen.
2. Laad een volledig opgeladen accu nooit opnieuw op. Te lang opladen verkort de levensduur van de accu.
3. Laad de accu op bij een omgevingstemperatuur tussen 10°C en 40°C. Laat een warme accu afkoelen alvorens hem op te laden.

BESCHRIJVING VAN DE FUNCTIES

⚠ LET OP: Zorg altijd dat het gereedschap is uitgeschakeld en de accu ervan is verwijderd alvorens de functies op het gereedschap af te stellen of te controleren.

De accu aanbrengen en verwijderen

⚠ LET OP: Schakel het gereedschap altijd uit voordat u de accu aanbrengt of verwijdert.

⚠ LET OP: Houd het gereedschap en de accu stevig vast tijdens het aanbrengen of verwijderen van de accu. Als u het gereedschap en de accu niet stevig vasthoudt, kunnen deze uit uw handen glijpen en het gereedschap of de accu beschadigen, of kan persoonlijk letsel worden veroorzaakt.

► Fig. 1: 1. Knop 2. Accu

Om de accu te verwijderen, drukt u de knoppen aan beide zijkanen van de accu in en trekt u hem uit het gereedschap.

Om de accu aan te brengen, lijnt u de lip op de accu uit met de groef in de behuizing en duwt u de accu op zijn plaats.

⚠ LET OP: Steek de accu altijd erin tot u een klikgeluid hoort. Als u dit niet doet, kan de accu per ongeluk uit het gereedschap vallen en letsel veroorzaken bij u of anderen in uw omgeving.

⚠ LET OP: Breng de accu niet met kracht aan. Als de accu niet gemakkelijk in het gereedschap kan worden geschoven, wordt deze niet goed aangebracht.

Accubeveiligingssysteem

Het gereedschap is uitgerust met een accubeveiligingssysteem. Dit systeem sluit automatisch de voeding naar de motor af om de levensduur van de accu te verlengen. Het gereedschap kan tijdens gebruik automatisch stoppen wanneer het gereedschap en/of de accu aan de volgende omstandigheid wordt blootgesteld:

Onvoldoende accuspanning:

De resterende accucapaciteit is te laag en het gereedschap start niet. Als u het gereedschap inschakelt, draait de motor wel maar stopt kort daarna. In dat geval verwijderd u de accu en laadt u die opnieuw op.

Vergrendelknop

⚠ LET OP: Wanneer u het gereedschap niet bedient, zet u altijd de vergrendelknop in de vergrendelde stand B.

► Fig.2: 1. Vergrendelknop

Wanneer de vergrendelknop in de vergrendelde stand B staat, kan de schakelaar niet worden bediend. Wanneer de vergrendelknop in de ontgrendelde stand A staat, kan de schakelaar worden bediend.

De trekkerschakelaar gebruiken

⚠ LET OP: Voordat u de accu op het gereedschap aanbrengt, controleert u of de schakelaar correct kan worden bediend en na loslaten terugkeert naar de uit-stand.

⚠ LET OP: Controleer altijd de draairichting alvorens het gereedschap te starten.

► Fig.3: 1. Vergrendelknop 2. Schakelaar

Om het gereedschap in te schakelen, zet u eerst de vergrendelknop in de ontgrendelde stand A om de schakelaar te ontgrendelen. Druk daarna eenvoudig op de ↵ C-kant van de schakelaar voor de draairichting rechtsom, en op de ⇨ D-kant van de schakelaar voor de draairichting linksom. Laat de schakelaar los om te stoppen.

KENNISGEVING: Verander de richting alleen nadat het gereedschap volledig tot stilstand is gekomen. Als u de draairichting verandert terwijl het gereedschap nog draait, kan het gereedschap beschadigd raken.

Het aandraaikoppel instellen

► Fig.5: 1. Instelring 2. Koppelaanduiding 3. Pijltekens

Door de instelring te draaien, kan het aandraaikoppel worden ingesteld op 22 niveaus. Lijn de koppelaanduiding uit met het pijltekens op het gereedschapshuis. Voor het minimaal aandraaikoppel kiest u 1 en voor het maximaal aandraaikoppel kiest u 22.

De koppeling slijpt door op de betreffende koppel-niveaus bij de instellingen 1 tot en met 21. De koppeling werkt niet op de instelling 22.

Alvorens met het eigenlijke werk te beginnen, draait u eerst een testschroef in uw werkstuk of een stuk identiek materiaal, om te bepalen welk aandraaikoppel het meest geschikt is voor een bepaalde toepassing.

OPMERKING: Raadpleeg de onderstaande tabel voor de verhouding tussen het cijfer van de koppelinstelling en de grootte van het aandraaikoppel.

Het aandraaikoppel zal verschillen afhankelijk van het materiaal. Maak een proefbevestiging om het gewenste koppel te bepalen voordat u met uw werkstuk werkt.

Snelheidskeuze

► Fig.4: 1. Snelheidskeuzeknop


⚠ LET OP: Zet de snelheidskeuzeknop altijd volledig in de juiste stand. Als u het gereedschap gebruikt met de snelheidskeuzeknop halverwege tussen de standen "1" en "2", kan het gereedschap beschadigd worden.

⚠ LET OP: Verander de instelling van de snelheidskeuzeknop niet terwijl het gereedschap draait. Dat kan het gereedschap beschadigen.

Stand van de snelheidskeuzeknop	Snelheid	Koppel	Toepassing
1	Laag	Hoog	Zware belasting
2	Hoog	Laag	Lichte belasting

Als u de snelheid wilt veranderen, schakelt u eerst het gereedschap uit. Selecteer stand "2" voor een hoge snelheid of stand "1" voor een lage snelheid met een hoog koppel. Let op dat de snelheidskeuzeknop geheel in de juiste stand is gezet voordat u gaat werken. Als de snelheid van het gereedschap tijdens gebruik in stand "2" sterk afneemt, zet u de knop in stand "1" en begint u het gebruik opnieuw.

Richtlijn voor automatische stop van koppeling

Werkbereik van automatische stop van koppeling		Klikstops van instelling voor aandraaikoppel	Aandraaikoppel
Hoog	Laag		
✓	✓	1	Ong. 0,3 N•m (ong. 3 Kg•cm)
✓	✓	5	Ong. 0,82 N•m (ong. 8,4 Kg•cm)
✓	✓	9	Ong. 1,35 N•m (ong. 13,8 Kg•cm)
-	✓	13	Ong. 1,88 N•m (ong. 19,2 Kg•cm)
-	✓	17	Ong. 2,41 N•m (ong. 24,6 Kg•cm)
-	✓	21	Ong. 2,9 N•m (ong. 30 Kg•cm)
-	-		Op laag toerental, ong. 8 N•m (ong. 81,6 Kg•cm)
-	-		Op hoog toerental, ong. 1,5 N•m (ong. 14,7 Kg•cm)

Bij het indraaien van kolomschroeven	Klikstops	Richtlijn voor diameter kolomschroeven
	1 - 3	2,5 mm
	4 - 8	3 mm
	9 - 18	4 mm
	19 - 21	5 mm

De lamp op de voorkant gebruiken

⚠ LET OP: Kijk niet direct in het lamplicht of in de lichtbron.

Om de lamp in te schakelen, schuift u de lampschakelaar naar stand A. Om de lamp uit te schakelen, schuift u de lampschakelaar naar stand B.

Zelfs als u de lamp aan laat, zal deze automatisch uitgaan na 5 minuten.

► **Fig.6:** 1. Lampschakelaar 2. Lamp

OPMERKING: De lamp geeft aan dat de acculading bijna op is door tijdens gebruik te knipperen.

Op dat moment laadt u de accu op of vervangt u de accu door een volledig opgeladen accu.

MONTAGE

⚠ LET OP: Zorg altijd dat het gereedschap is uitgeschakeld en de accu ervan is verwijderd alvorens enig werk aan het gereedschap uit te voeren.

Aanbrengen of verwijderen van het schroefbit of de schroefdop

► **Fig.7**

Gebruik uitsluitend een schroefbit/schroefdop met een insteekgedeelte zoals aangegeven in de afbeelding.

Gebruik geen ander schroefbit/schroefdop.

Voor gereedschappen met een ondiepe schroefbit-insteekopening

A=12 mm
B=9 mm

Gebruik uitsluitend dit type schroefbit. Volg procedure 1. (Opmerking) De bitadapter is niet nodig.

Voor gereedschappen met een diepe schroefbit-insteekopening

A=17 mm
B=14 mm

Om dit type schroefbit te plaatsen, volgt u procedure 1.

A=12 mm
B=9 mm

Om dit type schroefbit te plaatsen, volgt u procedure 2. (Opmerking) De bitadapter is nodig om het bit te plaatsen.

Procedure 1

► **Fig.8:** 1. Schroefbit 2. Bus

Om het schroefbit te plaatsen, trekt u de bus in de richting van de pijl en steekt u het schroefbit zo ver mogelijk in de bus.

Laat daarna de bus los om het schroefbit te vergrendelen.

Procedure 2

Voorafgaande aan **Procedure 1**, steekt u de bitadapter met zijn puntige uiteinde in de bus.

► **Fig.9:** 1. Schroefbit 2. Bitadapter 3. Bus

Om het schroefbit te verwijderen, trekt u de bus in de richting van de pijl en trekt u het schroefbit er uit.

OPMERKING: Als het schroefbit niet diep genoeg in de bus wordt gestoken, zal de bus niet naar haar oorspronkelijke positie terugkeren en zal het schroefbit niet goed vastzitten. In dat geval dient u het bit opnieuw erin te steken volgens de bovenstaande procedure.

OPMERKING: Nadat u het schroefbit in de bus hebt gestoken, controleert u dat het schroefbit stevig vast zit. Als het uit de bus komt, mag u het niet gebruiken.

BEDIENING

⚠ALLET OP: Wanneer u het gereedschap ombuigt om het in haakse stand te gebruiken of het gereedschap recht maakt om het in rechte stand te gebruiken, mag u het buigbare deel van het gereedschap niet vasthouden. Als u dit toch doet, kan uw hand of vingers bekneld en gewond raken door dit deel.

Het gereedschap kan op twee manieren worden gebruikt: in de rechte stand en in de haakse stand, te kiezen al naar gelang de omstandigheden van de werklocatie en het schroeven.

► Fig.10: 1. Rechte stand 2. Haakse stand

Gebruik als schroevendraaier

⚠ALLET OP: Stel de koppelinstelling in op het juiste koppel voor uw werkstuk.


⚠ALLET OP: Zorg dat het schroefbit recht in de schroefkop steekt, anders kunnen de schroef en/of het schroefbit beschadigd worden.

Plaats de punt van het schroefbit in de schroefkop en oefen wat druk uit op het gereedschap. Start het gereedschap langzaam en verhoog dan geleidelijk de snelheid. Zodra de koppeling aangrijpt, laat u de trekkerschakelaar onmiddellijk los.

► Fig.11

OPMERKING: Voor het vastdraaien van houtschroeven dient u een boorgat van 2/3 de diameter van de schroef voor te boren. Dit vergemakkelijkt het vastdraaien en voorkomt dat het werkstuk kan splijten.

Gebruik als boormachine

Draai eerst de instelling zo dat het pijlteken naar de markering  wijst. Ga daarna als volgt te werk.

Boren in hout

Bij het boren in hout verkrijgt u de beste resultaten met houtboortjes voorzien van een geleideschroefpunt. Deze geleideschroefpunt vergemakkelijkt het boren, door het boorbit het werkstuk in te trekken.

Boren in metaal

Om te voorkomen dat het boorbit bij het begin van het boren zijdelings wegglijdt, maakt u met een hamer en een centerpons een putje precies op de plaats waar u wilt boren. Plaats dan de punt van het boorbit in het putje en begin met boren. Gebruik bij het boren in metaal een smeermiddel. Uitzonderingen hierbij zijn ijzer en koper, die droog geboord moeten worden.

⚠ALLET OP: Het boren zal niet sneller verlopen als u hard op het gereedschap drukt. In feite zal dergelijk hard drukken alleen maar leiden tot beschadiging van het boorbit, lagere prestaties van het gereedschap en een kortere levensduur van het gereedschap.

⚠ALLET OP: Houd het gereedschap stevig vast en let vooral goed op wanneer het boorbit door het werkstuk heen breekt. Op het moment dat het boorgat doorbreekt wordt een enorme wringende kracht uitgeoefend op het gereedschap/boorbit.

⚠ALLET OP: Een vastgelopen boorbit kan eenvoudig verwijderd worden door de draairichting te veranderen met de omkeerschakelaar, om zo het boorbit eruit te draaien. Houd het gereedschap daarbij wel stevig vast, want er is kans op een plotselinge terugslag.


⚠ALLET OP: Zet het werkstuk altijd vast in een bankschroef of soortgelijke klemvoorziening.

⚠ALLET OP: Als het gereedschap continu wordt bediend totdat de accu leeg is, laat u het gereedschap gedurende 15 minuten liggen alvorens verder te werken met een volle accu.

Het gereedschap gebruiken als een handschroevendraaier

► Fig.12

Schakel het gereedschap uit.

Zet de vergrendelknop in de vergrendelde stand . Draai het gereedschap.

KENNISGEVING: Gebruik het gereedschap met een aandraaikoppel van minder dan 5 N·m (50 Kg·cm).

KENNISGEVING: Gebruik het gereedschap niet voor werkzaamheden die buitensporige kracht vereisen, zoals het aandraaien van bouten M6 of bouten groter dan M6, of het uitdraaien van roestige schroeven.

OPMERKING: Dit gebruik is handig om het schroevendraaien te controleren.

ONDERHOUD

⚠ALLET OP: Zorg altijd dat het gereedschap is uitgeschakeld en de accu ervan is verwijderd alvorens te beginnen met onderhoud of inspectie.

KENNISGEVING: Gebruik nooit benzine, wasbenzine, thinner, alcohol en dergelijke. Hierdoor kunnen verkleuring, vervormingen en barsten worden veroorzaakt.

Om de VEILIGHEID en BETROUWBAARHEID van het gereedschap te handhaven, dienen alle reparaties, onderhoud of afstellingen te worden uitgevoerd bij een erkend Makita-servicecentrum of de Makita-fabriek, en altijd met gebruik van Makita-ervangingsonderdelen.

OPTIONELE ACCESSOIRES

⚠ LET OP: Deze accessoires of hulpstukken worden aanbevolen voor gebruik met het Makita gereedschap dat in deze gebruiksaanwijzing is beschreven. Bij gebruik van andere accessoires of hulpstukken bestaat het gevaar van persoonlijke letsel. Gebruik de accessoires of hulpstukken uitsluitend voor hun bestemde doel.

Wenst u meer bijzonderheden over deze accessoires, neem dan contact op met het plaatselijke Makita-servicecentrum.

- Boorbits
- Schroefbits
- Dopbits
- Bitadapter
- Kunststof koffer
- Originele Makita accu's en acculaders

OPMERKING: Sommige items op de lijst kunnen zijn inbegrepen in de doos van het gereedschap als standaard toebehoren. Deze kunnen van land tot land verschillen.

ESPECIFICACIONES

Modelo:		DF012D
Capacidades de perforación	Acero	5 mm
	Madera	6 mm
Capacidades de apriete	Tornillo para madera	ø3,8 mm x 45 mm
	Tornillo para metales	M5
Velocidad sin carga	Alta (2)	650 min ⁻¹
	Baja (1)	200 min ⁻¹
Longitud total	Con forma recta	273 mm
	Con forma de pistola	218 mm
Tensión nominal		CC 7,2 V
Peso neto		0,53 - 0,54 kg

- Debido a nuestro continuado programa de investigación y desarrollo, las especificaciones aquí dadas están sujetas a cambios sin previo aviso.
- Las especificaciones pueden ser diferentes de país a país.
- El peso puede variar dependiendo del accesorio(s), incluyendo el cartucho de batería. La combinación menos pesada y la más pesada, de acuerdo con el procedimiento EPTA 01/2014, se muestran en la tabla.

Cartucho de batería y cargador aplicables

Cartucho de batería	BL7010 / BL0715
Cargador	DC10WA / DC10WB

- Algunos de los cartuchos de batería y cargadores indicados arriba puede que no estén disponibles dependiendo de su región de residencia.

⚠ ADVERTENCIA: Utilice solamente los cartuchos de batería y cargadores listados arriba. La utilización de cualquier otro cartucho de batería y cargador puede ocasionar heridas y/o un incendio.

Uso previsto

La herramienta ha sido prevista para perforar y atornillar en madera, metal y plástico.

Ruido

El nivel de ruido A-ponderado típico determinado de acuerdo con la norma EN62841-2-1:

Nivel de presión sonora (L_{pA}): 70 dB (A) o menos
Error (K): 3 dB (A)

El nivel de ruido en situación de trabajo puede exceder 80 dB (A).

NOTA: El valor (o los valores) de emisión de ruido declarado ha sido medido de acuerdo con un método de prueba estándar y se puede utilizar para comparar una herramienta con otra.

NOTA: El valor (o valores) de emisión de ruido declarado también se puede utilizar en una valoración preliminar de exposición.

⚠ ADVERTENCIA: Póngase protectores para oídos.

⚠ ADVERTENCIA: La emisión de ruido durante la utilización real de la herramienta eléctrica puede variar del valor (o los valores) de emisión declarado dependiendo de las formas en las que la herramienta sea utilizada, especialmente qué tipo de pieza de trabajo se procesa.

⚠ ADVERTENCIA: Asegúrese de identificar medidas de seguridad para proteger al operario que estén basadas en una estimación de la exposición en las condiciones reales de utilización (teniendo en cuenta todas las partes del ciclo operativo como las veces cuando la herramienta está apagada y cuando está funcionando en vacío además del tiempo de gatillo).

Vibración

El valor total de la vibración (suma de vectores triaxiales) determinado de acuerdo con la norma EN62841-2-1:

Modo de trabajo: perforación en metal
Emisión de vibración ($a_{h,D}$): 2,5 m/s² o menos
Error (K): 1,5 m/s²

NOTA: El valor (o los valores) total de emisión de vibración declarado ha sido medido de acuerdo con un método de prueba estándar y se puede utilizar para comparar una herramienta con otra.

NOTA: El valor (o los valores) total de emisión de vibración declarado también se puede utilizar en una valoración preliminar de exposición.

⚠️ ADVERTENCIA: La emisión de vibración durante la utilización real de la herramienta eléctrica puede variar del valor (o los valores) de emisión declarado dependiendo de las formas en las que la herramienta sea utilizada, especialmente qué tipo de pieza de trabajo se procesa.

⚠️ ADVERTENCIA: Asegúrese de identificar medidas de seguridad para proteger al operario que estén basadas en una estimación de la exposición en las condiciones reales de utilización (teniendo en cuenta todas las partes del ciclo operativo como las veces cuando la herramienta está apagada y cuando está funcionando en vacío además del tiempo de gatillo).

Declaraciones de conformidad

Para países europeos solamente

Las declaraciones de conformidad están incluidas como Anexo A de este manual de instrucciones.

ADVERTENCIAS DE SEGURIDAD

Advertencias de seguridad para herramientas eléctricas en general

⚠️ ADVERTENCIA: Lea todas las advertencias de seguridad, instrucciones, ilustraciones y especificaciones provistas con esta herramienta eléctrica. Si no sigue todas las instrucciones indicadas abajo podrá resultar en una descarga eléctrica, un incendio y/o heridas graves.

Guarde todas las advertencias e instrucciones para futuras referencias.

El término "herramienta eléctrica" en las advertencias se refiere a su herramienta eléctrica de funcionamiento con conexión a la red eléctrica (con cable) o herramienta eléctrica de funcionamiento a batería (sin cable).

Advertencias de seguridad para el atornillador taladro inalámbrico

Instrucciones de seguridad para todas las operaciones

1. Cuando realice una operación en la que el accesorio de corte o los fijadores puedan entrar en contacto con cableado oculto, sujete la herramienta eléctrica por las superficies de asiento aisladas. El contacto del accesorio de corte o los fijadores con un cable con corriente hará que la corriente circule por las partes metálicas expuestas de la herramienta eléctrica y podrá soltar una descarga eléctrica al operario.

2. Asegúrese siempre de apoyar los pies firmemente. Asegúrese de que no haya nadie debajo cuando utilice la herramienta en lugares altos.
3. Sujete la herramienta firmemente.
4. Mantenga las manos alejadas de las partes giratorias.
5. No deje la herramienta en marcha. Tenga en marcha la herramienta solamente cuando la tenga en la mano.
6. No toque la broca ni la pieza de trabajo inmediatamente después de la operación; podrán estar muy calientes y quemarle la piel.
7. Algunos materiales contienen sustancias químicas que pueden ser tóxicas. Tenga precaución para evitar la inhalación de polvo y el contacto con la piel. Siga los datos de seguridad del abastecedor del material.
8. Si la broca no se puede aflojar incluso cuando abra las garras, utilice unos alicates para extraerla. En tal caso, sacar la broca a mano puede resultar en heridas debido a su borde cortante.

Instrucciones de seguridad cuando se utilizan brocas largas

1. No utilice nunca a velocidades más altas que la velocidad máxima nominal de la broca. A velocidades más altas, es probable que la broca se doble si se deja girar libremente sin hacer contacto con la pieza de trabajo, resultando en heridas personales.
2. Comience a perforar siempre a velocidad baja y con la punta de la broca haciendo contacto con la pieza de trabajo. A velocidades más altas, es probable que la broca se doble si se deja girar libremente sin hacer contacto con la pieza de trabajo, resultando en heridas personales.
3. Aplique presión solamente en línea directa con la broca y no aplique una presión excesiva. Las brocas se pueden doblar ocasionando su rotura o la pérdida de control, resultando en heridas personales.

GUARDE ESTAS INSTRUCCIONES.

⚠️ ADVERTENCIA: NO deje que la comodidad o familiaridad con el producto (a base de utilizarlo repetidamente) sustituya la estricta observancia de las normas de seguridad para el producto en cuestión. El MAL USO o el no seguir las normas de seguridad establecidas en este manual de instrucciones podrá ocasionar graves heridas personales.

Instrucciones de seguridad importantes para el cartucho de batería

1. Antes de utilizar el cartucho de batería, lea todas las instrucciones e indicaciones de precaución sobre (1) el cargador de baterías, (2) la batería, y (3) el producto con el que se utiliza la batería.
2. No desarme el cartucho de batería.
3. Si el tiempo de uso se acorta demasiado, cese la operación inmediatamente. Podría resultar en un riesgo de recalentamiento, posibles quemaduras e incluso una explosión.

4. Si entra electrolito en sus ojos, aclárelos con agua limpia y acuda a un médico inmediatamente. Existe el riesgo de poder perder la vista.
5. No cortocircuite el cartucho de batería:
 - (1) No toque los terminales con ningún material conductor.
 - (2) Evite guardar el cartucho de batería en un cajón junto con otros objetos metálicos, como clavos, monedas, etc.
 - (3) No exponga el cartucho de batería al agua ni a la lluvia.

Un cortocircuito en la batería puede producir una gran circulación de corriente, un recalentamiento, posibles quemaduras e incluso una rotura de la misma.

6. No guarde la herramienta y el cartucho de batería en lugares donde la temperatura pueda alcanzar o exceder los 50 °C.
7. Nunca incinere el cartucho de batería incluso en el caso de que esté dañado seriamente o ya no sirva en absoluto. El cartucho de batería puede explotar si se tira al fuego.
8. Tenga cuidado de no dejar caer ni golpear el cartucho de batería.
9. No utilice una batería dañada.
10. Las baterías de litio-ion contenidas están sujetas a los requisitos de la Legislación para Materiales Peligrosos.

Para transportes comerciales, p.ej., por terceras personas y agentes de transportes, se deberán observar requisitos especiales para el empaquetado y etiquetado.

Para la preparación del artículo que se va a enviar, se requiere consultar con un experto en materiales peligrosos. Por favor, observe también la posibilidad de reglamentos nacionales más detallados.

Cubra con cinta aislante o enmascare los contactos expuestos y empaquete la batería de tal manera que no se pueda mover alrededor dentro del embalaje.

11. Para desechar el cartucho de batería, retírelo de la herramienta y deséchelo en un lugar seguro. Siga los reglamentos locales referentes al desecho de la batería.
12. Utilice las baterías solamente con los productos especificados por Makita. La instalación de las baterías en productos no compatibles puede resultar en un incendio, calor excesivo, explosión, o fuga de electrolito.
13. Si la herramienta no va a ser utilizada durante un periodo de tiempo largo, la batería deberá ser retirada de la herramienta.

GUARDE ESTAS INSTRUCCIONES.

PRECAUCIÓN: Utilice solamente baterías genuinas de Makita. La utilización de baterías no genuinas de Makita, o baterías que han sido alteradas, puede resultar en una explosión de la batería ocasionando incendios, heridas personales y daños. También anulará la garantía de Makita para la herramienta y el cargador de Makita.

Consejos para alargar al máximo la vida de servicio de la batería

1. Cargue el cartucho de batería antes de que se descargue completamente. Detenga siempre la operación y cargue el cartucho de batería cuando note menos potencia en la herramienta.
2. No cargue nunca un cartucho de batería que esté completamente cargado. La sobrecarga acortará la vida de servicio de la batería.
3. Cargue el cartucho de batería a temperatura ambiente de 10 °C - 40 °C. Si un cartucho de batería está caliente, déjelo enfriar antes de cargarlo.

DESCRIPCIÓN DEL FUNCIONAMIENTO

PRECAUCIÓN: Asegúrese siempre de que la herramienta está apagada y el cartucho de batería retirado antes de realizar cualquier ajuste o comprobación en la herramienta.

Instalación o extracción del cartucho de batería

PRECAUCIÓN: Apague siempre la herramienta antes de instalar o retirar el cartucho de batería.

PRECAUCIÓN: Sujete la herramienta y el cartucho de batería firmemente cuando instale o retire el cartucho de batería. Si no sujeta la herramienta y el cartucho de batería firmemente podrán caérsele de las manos y resultar en daños a la herramienta y al cartucho de batería y heridas personales.

► Fig.1: 1. Botón 2. Cartucho de batería

Para retirar el cartucho de batería, retírelo de la herramienta mientras presiona los botones en ambos costados del cartucho.

Para instalar el cartucho de batería, alinee la lengüeta del cartucho de batería con la ranura en el alojamiento y deslícelo al interior hasta encajarlo en su sitio.

PRECAUCIÓN: Insértelo siempre hasta que se bloquee en su sitio con un pequeño chasquido. En caso contrario, podrá caerse accidentalmente de la herramienta y ocasionarle heridas a usted o a alguien que esté cerca de usted.

PRECAUCIÓN: No instale el cartucho de batería empleando fuerza. Si el cartucho no se desliza al interior fácilmente, será porque no está siendo insertado correctamente.

Sistema de protección de la batería

La herramienta está equipada con un sistema de protección de la batería. Este sistema corta automáticamente la alimentación del motor para alargar la vida útil de la batería.

La herramienta se detendrá automáticamente durante la operación si la herramienta y/o la batería son puestas en la condición siguiente:

Tensión baja en la batería:

La capacidad de batería restante es muy baja y la herramienta no funcionará. Si enciende la herramienta, el motor se pondrá en marcha otra vez pero se detendrá enseguida. En esta situación, retire la batería y vuelva a cargarla.

Palanca de bloqueo

⚠PRECAUCIÓN: Cuando no esté utilizando la herramienta, ponga siempre la palanca de bloqueo en la posición bloqueada B.

► Fig.2: 1. Palanca de bloqueo

Cuando la palanca de bloqueo está en la posición bloqueada B, el interruptor no se puede accionar.

Cuando la palanca de bloqueo está en la posición desbloqueada A, el interruptor se puede accionar.

Accionamiento del interruptor

⚠PRECAUCIÓN: Antes de instalar el cartucho de batería en la herramienta, compruebe siempre para ver que el interruptor se acciona debidamente y que vuelve a la posición "apagada" cuando lo suelta.

⚠PRECAUCIÓN: Confirme siempre la dirección de giro antes de la operación.

► Fig.3: 1. Palanca de bloqueo 2. Interruptor

Para poner en marcha la herramienta, primero mueva la palanca de bloqueo a la posición desbloqueada A para liberar el interruptor. Y después simplemente presione el interruptor del lado ↶ C para giro hacia la derecha y del lado ↷ D para giro hacia la izquierda. Suelte el interruptor para parar.

Ajuste del par de apriete

► Fig.5: 1. Anillo de ajuste 2. Graduación 3. Flecha

El par de apriete se puede ajustar en 22 niveles girando el anillo de ajuste. Alinee las graduaciones con la flecha en el cuerpo de la herramienta. Puede obtener el par de apriete mínimo en 1 y el par de apriete máximo en la marca 22.

El embrague patinará a varios niveles de par de apriete cuando esté puesto en los números 1 al 21. El embrague no responde en la marca 22.

Antes de la operación real, atornille un tornillo de prueba en su material o en un trozo de material duplicado para determinar qué nivel de par de apriete se requiere para esa aplicación particular.

NOTA: Consulte el gráfico siguiente para ver la relación entre el número de ajuste del par de apriete y el grado de par de apriete.

El grado de par de apriete será diferente dependiendo de los materiales. Haga un apriete de prueba antes de la operación para obtener el par deseado.

AVISO: Cambie la dirección solamente después de que la herramienta se haya parado completamente. Si cambia la dirección de giro antes de que la herramienta se haya parado podrá dañarla.

Cambio de velocidad

► Fig.4: 1. Palanca de cambio de velocidad


⚠PRECAUCIÓN: Ponga siempre la palanca de cambio de velocidad completamente en la posición correcta. Si utiliza la herramienta con la palanca de cambio de velocidad puesta a medias entre el lado "1" y el lado "2", la herramienta podrá dañarse.

⚠PRECAUCIÓN: No utilice la palanca de cambio de velocidad mientras la herramienta está en marcha. La herramienta podría dañarse.

Posición de la palanca de cambio de velocidad	Velocidad	Par de apriete	Operación aplicable
1	Baja	Alto	Operación con mucha carga
2	Alta	Bajo	Operación con poca carga

Para cambiar la velocidad, primero apague la herramienta. Seleccione el lado "2" para velocidad alta o "1" para velocidad baja pero par de apriete alto. Asegúrese de que la palanca de cambio de velocidad está puesta en la posición correcta antes de realizar la operación. Si la velocidad de la herramienta se reduce mucho durante la operación con "2", deslice la palanca al lado "1" y vuelva a comenzar la operación.

Directriz para la parada automática del embrague

Rango de trabajo de la parada automática del embrague		Incrementos en el anillo de ajuste para el par de apriete	Par de apriete
Alto	Bajo		
✓	✓	1	Aprox. 0,3 N•m (Aprox. 3 Kgf•cm)
✓	✓	5	Aprox. 0,82 N•m (Aprox. 8,4 Kgf•cm)
✓	✓	9	Aprox. 1,35 N•m (Aprox. 13,8 Kgf•cm)
-	✓	13	Aprox. 1,88 N•m (Aprox. 19,2 Kgf•cm)
-	✓	17	Aprox. 2,41 N•m (Aprox. 24,6 Kgf•cm)
-	✓	21	Aprox. 2,9 N•m (Aprox. 30 Kgf•cm)
-	-		A velocidad baja, aprox. 8 N•m (Aprox. 81,6 Kgf•cm)
-	-		A velocidad alta, aprox. 1,5 N•m (Aprox. 14,7 Kgf•cm)

Cuando se atornillan tornillos para metales	Incrementos	Directriz para el diámetro de tornillo para metales
	1 - 3	2,5 mm
	4 - 8	3 mm
	9 - 18	4 mm
	19 - 21	5 mm

Encendido de la lámpara delantera

⚠ PRECAUCIÓN: No mire a la luz ni vea la fuente de luz directamente.

Para encender la luz, deslice el interruptor de la lámpara a la posición A. Para apagar la luz, deslice el interruptor de la lámpara a la posición B. Aunque deje encendida la lámpara, la luz se apagará automáticamente después de 5 minutos.

► **Fig.6:** 1. Interruptor de la lámpara 2. Lámpara

NOTA: La lámpara avisa parpadeando durante la operación cuando la energía de la batería está casi agotada.

En este momento, recargue la batería o reemplace la batería con una completamente cargada.

MONTAJE

⚠ PRECAUCIÓN: Asegúrese siempre de que la herramienta está apagada y el cartucho de batería retirado antes de realizar cualquier trabajo en la herramienta.

Instalación o desmontaje de la punta de atornillar/punta de tubo

► **Fig.7**

Utilice solamente una punta de atornillar/punta de tubo que tenga la porción de inserción mostrada en la figura. No utilice ninguna otra punta de atornillar/punta de tubo.

Para herramienta con agujero para punta de atornillar corto

A=12 mm
B=9 mm

Utilice solamente estos tipos de puntas de atornillar. Siga el procedimiento 1. (Nota) No se necesita adaptador de punta de atornillar.

Para herramienta con agujero de punta de atornillar profundo

A=17 mm
B=14 mm

Para instalar estos tipos de puntas de atornillar, siga el procedimiento 1.

A=12 mm
B=9 mm

Para instalar estos tipos de puntas de atornillar, siga el procedimiento 2. (Nota) No se necesita adaptador de punta de atornillar para instalar la punta de atornillar.

Procedimiento 1

► **Fig.8:** 1. Punta de atornillar 2. Manguito

Para instalar la punta de atornillar, tire del manguito en la dirección de la flecha e inserte la punta de atornillar a tope en el manguito. Después suelte el manguito para sujetar la punta de atornillar.

Procedimiento 2

Además del **Procedimiento 1**, inserte el adaptador de punta de atornillar en el manguito con su extremo en punta orientado hacia dentro.

► **Fig.9:** 1. Punta de atornillar 2. Adaptador de punta de atornillar 3. Manguito

Para retirar la punta de atornillar, tire del manguito en la dirección de la flecha y saque la punta de atornillar.

NOTA: Si la punta de atornillar no está suficientemente insertada en el manguito, el manguito no retornará a su posición original y la punta de atornillar no quedará bien sujeta. En este caso, intente reinsertando la punta de atornillar de acuerdo con las instrucciones de arriba.

NOTA: Después de insertar la punta de atornillar, asegúrese de que está sujeta firmemente. Si se sale, no la utilice.

OPERACIÓN

⚠PRECAUCIÓN: Cuando doble la herramienta para usarla en la forma de pistola o la enderece para usarla en la forma recta, no agarre la parte doblable de la herramienta. En caso contrario podrá ocasionar que esta parte pille su mano y dedos y le cause heridas.

La herramienta se puede utilizar de dos maneras; en forma recta y en forma de pistola que se pueden seleccionar de acuerdo con las condiciones del lugar de trabajo y de atornillado.

► Fig.10: 1. Forma recta 2. Forma de pistola

Operación de atornillar

⚠PRECAUCIÓN: Ajuste el anillo de ajuste al nivel de par de apriete apropiado para su tarea.


⚠PRECAUCIÓN: Asegúrese de que la punta de atornillar está insertada en línea recta en la cabeza del tornillo, o el tornillo y/o la punta de atornillar se podrá dañar.

Ponga la punta de la punta de atornillar en la cabeza del tornillo y aplique presión en la herramienta. Haga funcionar la herramienta despacio y después aumente la velocidad gradualmente. Suelte el gatillo interruptor en cuanto el embrague patine.

► Fig.11

NOTA: Cuando atornille tornillos para madera, haga primero un agujero piloto de 2/3 del diámetro del tornillo. Esto facilita el atornillado y evita que se resquebraje la pieza de trabajo.

Operación de perforación

Primero, gire el anillo de ajuste de forma que la flecha apunte a la marca . Después proceda de la forma siguiente.

Perforación en madera

Cuando perforo en madera, los mejores resultados se obtendrán con brocas para madera equipadas con un tornillo guía. El tornillo guía facilita la perforación tirando de la broca hacia el interior de la pieza de trabajo.

Perforación en metal

Para evitar que la broca resbale al empezar a hacer el agujero, haga una mella con un punzón y martillo en el punto a taladrar. Ponga la punta de la broca en la mella y comience a perforar.

Utilice un lubricante para operaciones de corte cuando perforo metales. Las excepciones son acero y latón que deberán ser perforados en seco.

⚠PRECAUCIÓN: Con ejercer una presión excesiva sobre la herramienta no conseguirá perforar más rápido. De hecho, esta presión excesiva sólo servirá para dañar la punta de la broca, disminuir el rendimiento de la herramienta y acortar la vida de servicio de la herramienta.

⚠PRECAUCIÓN: Sujete la herramienta firmemente y tenga cuidado cuando la broca comience a penetrar en la pieza de trabajo. En el momento de comenzar a penetrar se ejerce una fuerza tremenda sobre la herramienta/broca.

⚠PRECAUCIÓN: Una broca atascada podrá extraerse simplemente poniendo el interruptor inversor en giro inverso para que retroceda. Sin embargo, la herramienta podrá retroceder bruscamente si no la sujeta firmemente.


⚠PRECAUCIÓN: Sujete siempre las piezas de trabajo en un tornillo de banco o dispositivo de sujeción similar.

⚠PRECAUCIÓN: Si utiliza la herramienta continuamente hasta descargar el cartucho de batería, deje descansar la herramienta durante 15 minutos antes de proceder con una batería fresca.

Utilización de la herramienta como destornillador manual

► Fig.12

Apague la herramienta.

Mueva la palanca de bloqueo hacia la posición bloqueada .

Dé la vuelta a la herramienta.

AVISO: Utilice la herramienta con un par de apriete de menos de 5 N•m (50 Kg•cm).

AVISO: No utilice la herramienta para trabajos que requieran fuerza excesiva, tal como para apretar pernos M6 o pernos más grandes que M6 o para retirar tornillos oxidados.

NOTA: Esta utilización resulta útil para comprobar el atornillado.

MANTENIMIENTO

⚠PRECAUCIÓN: Asegúrese siempre de que la herramienta está apagada y de que el cartucho de batería está retirado antes de intentar hacer una inspección o mantenimiento.

AVISO: No utilice nunca gasolina, bencina, disolvente, alcohol o similares. Podría producir descoloración, deformación o grietas.

Para mantener la SEGURIDAD y FIABILIDAD del producto, las reparaciones, y cualquier otra tarea de mantenimiento o ajuste deberán ser realizadas en centros de servicio o de fábrica autorizados por Makita, empleando siempre repuestos Makita.

ACCESORIOS OPCIONALES

⚠PRECAUCIÓN: Estos accesorios o aditamentos están recomendados para su uso con la herramienta Makita especificada en este manual.

El uso de cualquier otro accesorio o aditamento puede suponer un riesgo de heridas personales. Utilice el accesorio o aditamento solamente con la finalidad indicada para el mismo.

Si necesita cualquier ayuda para más detalles en relación con estos accesorios, pregunte al centro de servicio Makita local.

- Brocas
- Puntas de atornillar
- Llaves de tubo
- Adaptador de punta de atornillar
- Maletín de transporte de plástico
- Batería y cargador genuinos de Makita

NOTA: Algunos elementos de la lista podrán estar incluidos en el paquete de la herramienta como accesorios estándar. Pueden variar de un país a otro.

ESPECIFICAÇÕES

Modelo:		DF012D
Capacidades de perfuração	Aço	5 mm
	Madeira	6 mm
Capacidades de aperto	Parafuso para madeira	ø3,8 mm x 45 mm
	Parafuso de montagem	M5
Velocidade sem carga	Alta (2)	650 min ⁻¹
	Baixa (1)	200 min ⁻¹
Comprimento total	Com forma reta	273 mm
	Com forma em pistola	218 mm
Tensão nominal		CC 7,2 V
Peso líquido		0,53 - 0,54 kg

- Devido a um programa contínuo de pesquisa e desenvolvimento, estas especificações estão sujeitas a alteração sem aviso prévio.
- As especificações podem variar de país para país.
- O peso poderá diferir em função do acessório(s), incluindo a bateria. A combinação mais leve e mais pesada, de acordo com o Procedimento EPTA 01/2014, é apresentada na tabela.

Bateria e carregador aplicável

Bateria	BL7010 / BL0715
Carregador	DC10WA / DC10WB

- Algumas das baterias e carregadores listados acima poderão não estar disponíveis, dependendo da sua região de residência.

⚠AVISO: Utilize apenas as baterias e carregadores listados acima. A utilização de quaisquer outras baterias e carregadores pode causar ferimentos e/ou um incêndio.

Utilização a que se destina

A ferramenta serve para perfurar e aparafusar em madeira, metal e plástico.

Ruído

A característica do nível de ruído A determinado de acordo com a EN62841-2-1:

Nível de pressão acústica (L_{pA}): 70 dB (A) ou menos
Variabilidade (K): 3 dB (A)

O nível de ruído durante o funcionamento pode exceder 80 dB (A).

NOTA: O(s) valor(es) da emissão de ruído indicado(s) foi medido de acordo com um método de teste padrão e pode ser utilizado para comparar duas ferramentas.

NOTA: O(s) valor(es) da emissão de ruído indicado(s) pode também ser utilizado na avaliação preliminar da exposição.

⚠AVISO: Utilize protetores auriculares.

⚠AVISO: A emissão de ruído durante a utilização real da ferramenta elétrica pode diferir do(s) valor(es) indicado(s), dependendo das formas como a ferramenta é utilizada, especialmente o tipo de peça de trabalho que é processada.

⚠AVISO: Certifique-se de identificar as medidas de segurança para proteção do operador que sejam baseadas em uma estimativa de exposição em condições reais de utilização (considerando todas as partes do ciclo de operação, tal como quando a ferramenta está desligada e quando está a funcionar em marcha lenta além do tempo de acionamento).

Vibração

Valor total da vibração (soma vetorial tri-axial) determinado de acordo com a EN62841-2-1:

Modo de trabalho: perfuração em metal
Emissão de vibração ($a_{h,D}$): 2,5 m/s² ou menos
Variabilidade (K): 1,5 m/s²

NOTA: O(s) valor(es) total(ais) de vibração indicado(s) foi medido de acordo com um método de teste padrão e pode ser utilizado para comparar duas ferramentas.

NOTA: O(s) valor(es) total(ais) de vibração indicado(s) pode também ser utilizado na avaliação preliminar da exposição.

⚠️ AVISO: A emissão de vibração durante a utilização real da ferramenta elétrica pode diferir do(s) valor(es) indicado(s), dependendo das formas como a ferramenta é utilizada, especialmente o tipo de peça de trabalho que é processada.

⚠️ AVISO: Certifique-se de identificar as medidas de segurança para proteção do operador que sejam baseadas em uma estimativa de exposição em condições reais de utilização (considerando todas as partes do ciclo de operação, tal como quando a ferramenta está desligada e quando está a funcionar em marcha lenta além do tempo de acionamento).

Declarações de conformidade

Apenas para os países europeus

As Declarações de conformidade estão incluídas no Anexo A deste manual de instruções.

AVISOS DE SEGURANÇA

Avisos gerais de segurança para ferramentas elétricas

⚠️ AVISO: Leia todos os avisos de segurança, instruções, ilustrações e especificações fornecidos com esta ferramenta elétrica. O não cumprimento de todas as instruções indicadas em baixo pode resultar em choque elétrico, incêndio e/ou ferimentos graves.

Guarde todos os avisos e instruções para futuras referências.

O termo "ferramenta elétrica" nos avisos refere-se às ferramentas elétricas ligadas à corrente elétrica (com cabo) ou às ferramentas elétricas operadas por meio de bateria (sem cabo).

Avisos de segurança para a parafusadeira/furadeira a bateria

Instruções de segurança para todas as operações

1. **Segure a ferramenta elétrica pelas superfícies isoladas preparadas para esse fim, quando executar uma operação em que o acessório de corte ou os fixadores possam entrar em contacto com fios ocultos.** O contacto do acessório de corte ou dos fixadores com um fio elétrico "sob tensão" pode tornar as partes metálicas expostas da ferramenta elétrica "sob tensão" e pode causar um choque elétrico ao operador.
2. **Certifique-se sempre que possui uma base firme. Certifique-se de que ninguém está por baixo quando usa a ferramenta em locais elevados.**
3. **Segure a ferramenta firmemente.**
4. **Mantenha as mãos afastadas das partes giratórias.**

5. **Não deixe a ferramenta a funcionar. Opere a ferramenta apenas quando a estiver a agarrar.**
6. **Não toque na broca de perfuração ou na peça de trabalho imediatamente após a operação; podem estar extremamente quentes e queimar a sua pele.**
7. **Alguns materiais contêm químicos que podem ser tóxicos. Tome cuidado para evitar a inalação de poeira e o contacto com a pele. Siga os dados de segurança do fornecedor do material.**
8. **Se não for possível soltar a broca de perfuração mesmo se abrir os mordentes, utilize um alicate para extrai-la.** Nesse caso, extrair a broca de perfuração manualmente poderá resultar em lesões provocadas pelo seu bordo afiado.

Instruções de segurança quando utilizar brocas de perfuração longas

1. **Nunca utilize a uma velocidade mais elevada do que a categoria de velocidade máxima da broca de perfuração.** A velocidades mais elevadas, é provável que a broca se dobre se for permitida a respetiva rotação livre sem entrar em contacto com a peça de trabalho, resultando em ferimentos pessoais.
2. **Comece sempre a perfurar a baixa velocidade e com a ponta da broca em contacto com a peça de trabalho.** A velocidades mais elevadas, é provável que a broca se dobre se for permitida a respetiva rotação livre sem entrar em contacto com a peça de trabalho, resultando em ferimentos pessoais.
3. **Aplique pressão apenas em linha direta com a broca e não aplique pressão excessiva.** As brocas podem dobrar-se provocando quebra ou perda de controlo, resultando em ferimentos pessoais.

GUARDE ESTAS INSTRUÇÕES.

⚠️ AVISO: NÃO permita que o conforto ou familiaridade com o produto (adquirido com o uso repetido) substitua o cumprimento estrito das regras de segurança da ferramenta. A MÁ INTERPRETAÇÃO ou o não seguimento das regras de segurança estabelecidas neste manual de instruções pode provocar ferimentos pessoais graves.

Instruções de segurança importantes para a bateria

1. **Antes de utilizar a bateria, leia todas as instruções e etiquetas de precaução no (1) carregador de bateria (2) bateria e (3) produto que utiliza a bateria.**
2. **Não abra a bateria.**
3. **Se o tempo de funcionamento se tornar excessivamente curto, pare o funcionamento imediatamente. Pode resultar em sobreaquecimento, possíveis queimaduras e mesmo explosão.**
4. **Se entrar eletrólito nos seus olhos, lave-os com água e consulte imediatamente um médico. Pode resultar em perda de visão.**

5. Não coloque a bateria em curto-circuito:
 - (1) Não toque nos terminais com qualquer material condutor.
 - (2) Evite guardar a bateria juntamente com outros objetos metálicos tais como pregos, moedas, etc.
 - (3) Não exponha a bateria à água ou chuva. Um curto-circuito pode ocasionar um enorme fluxo de corrente, sobreaquecimento, possíveis queimaduras e mesmo estragar-se.
6. Não guarde a ferramenta e a bateria em locais onde a temperatura pode atingir ou exceder 50°C.
7. Não queime a bateria mesmo que esteja estragada ou completamente gasta. A bateria pode explodir no fogo.
8. Tenha cuidado para não deixar cair ou dar pancadas na bateria.
9. Não utilize uma bateria danificada.
10. As baterias de íons de lítio contidas na ferramenta são sujeitas aos requisitos da DGL (Dangerous Goods Legislation - Legislação de bens perigosos). Para o transporte comercial, por exemplo, por terceiros ou agentes de expedição, têm de ser observados os requisitos referentes à embalagem e etiquetagem. Para preparação do artigo a ser expedido, é necessário consultar um perito em materiais perigosos. Tenha ainda em conta a possibilidade de existirem regulamentos nacionais mais detalhados. Coloque fita-cola ou tape os contactos abertos e embale a bateria de tal forma que não possa mover-se dentro da embalagem.
11. Quando eliminar a bateria, remova-a da ferramenta e elimine-a num local seguro. Siga os regulamentos locais relacionados com a eliminação de baterias.
12. Utilize as baterias apenas com os produtos especificados pela Makita. Instalar as baterias em produtos não-conformes poderá resultar num incêndio, calor excessivo, explosão ou fuga de eletrólito.
13. Se a ferramenta não for utilizada durante um período de tempo prolongado, a bateria deve ser removida da ferramenta.

GUARDE ESTAS INSTRUÇÕES.

⚠️ PRECAUÇÃO: Utilize apenas baterias genuínas da Makita. A utilização de baterias não genuínas da Makita ou de baterias que foram alteradas, pode resultar no rebentamento da bateria provocando incêndios, ferimentos pessoais e danos. Além disso, anulará da garantia da Makita no que se refere à ferramenta e ao carregador Makita.

Conselhos para manter a máxima vida útil da bateria

1. Carregue a bateria antes que esteja completamente descarregada. Pare sempre o funcionamento da ferramenta e carregue a bateria quando notar menos poder na ferramenta.
2. Nunca carregue uma bateria completamente carregada. Carregamento excessivo diminui a vida útil da bateria.
3. Carregue a bateria à temperatura ambiente de 10°C – 40°C. Deixe que uma bateria quente arrefeça antes de a carregar.

DESCRIÇÃO FUNCIONAL

⚠️ PRECAUÇÃO: Certifique-se sempre de que a ferramenta está desligada e a bateria foi retirada antes de regular ou verificar qualquer função na ferramenta.

Instalação ou remoção da bateria

⚠️ PRECAUÇÃO: Desligue sempre a ferramenta antes de colocar ou retirar a bateria.

⚠️ PRECAUÇÃO: Segure firmemente a ferramenta e a bateria quando instalar ou remover a bateria. Se não segurar firmemente a ferramenta e a bateria pode fazer com que escorreguem das suas mãos resultando em danos na ferramenta e na bateria e ferimentos pessoais.

► Fig.1: 1. Botão 2. Bateria

Para remover a bateria, remova-a da ferramenta enquanto pressiona os botões em ambos os lados da bateria.

Para instalar a bateria, alinhe a lingueta na bateria com a ranhura no corpo da ferramenta e deslize-a para a posição apropriada.

⚠️ PRECAUÇÃO: Continue a inseri-la até ficar presa na posição apropriada com um pequeno clique. Caso contrário, poderá cair acidentalmente da ferramenta, causando-lhe ferimentos ou a outra pessoa próxima de si.

⚠️ PRECAUÇÃO: Não instale a bateria à força. Se a bateria não deslizar facilmente é porque não foi colocada corretamente.

Sistema de proteção da bateria

A ferramenta está equipada com um sistema de proteção da bateria. Este sistema corta automaticamente a energia para o motor a fim de prolongar a vida útil da bateria.

A ferramenta para automaticamente durante o funcionamento se a mesma e/ou a bateria estiver na seguinte circunstância:

Baixa tensão da bateria:

A carga restante da bateria está baixa demais e a ferramenta não funciona. Se ligar a ferramenta, o motor funciona novamente mas para logo a seguir. Nesse caso, retire a bateria e recarregue-a.

Alavanca de bloqueio

⚠️ PRECAUÇÃO: Quando não estiver a operar a ferramenta, coloque sempre a alavanca de bloqueio na posição bloqueada B.

► Fig.2: 1. Alavanca de bloqueio

Quando a alavanca de bloqueio estiver na posição bloqueada B, não é possível atuar o interruptor. Quando a alavanca de bloqueio estiver na posição desbloqueada A, é possível atuar o interruptor.

Ação do interruptor

⚠️ PRECAUÇÃO: Antes de instalar a bateria na ferramenta, verifique sempre se o interruptor atua devidamente e retoma a posição de desligado quando é solto.

⚠️ PRECAUÇÃO: Verifique sempre a direção de rotação antes da operação.

► Fig.3: 1. Alavanca de bloqueio 2. Interruptor

Para efetuar o arranque da ferramenta, mova primeiramente a alavanca de bloqueio para a posição desbloqueada A para soltar o interruptor. De seguida, prima simplesmente o interruptor no ⇐ lado C para a rotação para a direita e no ⇒ lado D para a rotação para a esquerda. Solte o interruptor para parar.

OBSERVAÇÃO: Altere a direção apenas depois de a ferramenta estar completamente parada.

Mudar a direção de rotação antes de a ferramenta parar pode estragar a ferramenta.

Mudança de velocidade

► Fig.4: 1. Alavanca de mudança de velocidade

⚠️ PRECAUÇÃO: Regule sempre a alavanca de mudança de velocidade completamente para a posição correta. Se operar a ferramenta com a alavanca de mudança de velocidade posicionada a meio entre o lado "1" e o lado "2", a ferramenta pode ficar danificada.

⚠️ PRECAUÇÃO: Não utilize a alavanca de mudança de velocidade enquanto a ferramenta estiver a funcionar. A ferramenta pode ficar danificada.

Posição da alavanca de mudança de velocidade	Velocidade	Binário	Operação aplicável
1	Baixa	Alto	Operação com carga pesada
2	Alta	Baixo	Operação com carga leve

Para alterar a velocidade, desligue primeiro a ferramenta. Selecione o lado "2" para alta velocidade ou "1" para baixa velocidade mas com um binário alto. Certifique-se de que a alavanca de mudança de velocidade está regulada para a posição correta antes da operação. Se a velocidade da ferramenta decair extremamente durante a operação com "2", deslize a alavanca para "1" e reinicie a operação.

Ajustar o binário de aperto

► Fig.5: 1. Anel de regulação 2. Graduação 3. Seta

O binário de aperto pode ser regulado em 22 níveis, rodando o anel de regulação. Alinhe as graduações com a seta no corpo da ferramenta. Pode obter o binário de aperto mínimo em 1 e o binário de aperto máximo na marca 21. A embraiagem desliza em vários níveis de binário quando definida para o número 1 a 21. A embraiagem não funciona na marca 22. Antes da operação efetiva, aparafuse um parafuso de teste no material ou numa peça de material duplicado para determinar que nível de aperto é necessário para uma aplicação específica.

NOTA: Consulte a tabela seguinte para saber a relação entre o número de definição do binário e a taxa do binário de aperto.

A taxa do binário de aperto será diferente em função dos materiais. Execute um teste de aperto para obter o binário pretendido antes da operação.

Orientação para paragem automática da embraiagem

Alcance de trabalho da paragem automática da embraiagem		Incrementos no anel de regulação para o binário de aperto	Binário de aperto
Alto	Baixo		
✓	✓	1	Aprox. 0,3 N•m (Aprox. 3 Kgf•cm)
✓	✓	5	Aprox. 0,82 N•m (Aprox. 8,4 Kgf•cm)
✓	✓	9	Aprox. 1,35 N•m (Aprox. 13,8 Kgf•cm)
-	✓	13	Aprox. 1,88 N•m (Aprox. 19,2 Kgf•cm)
-	✓	17	Aprox. 2,41 N•m (Aprox. 24,6 Kgf•cm)
-	✓	21	Aprox. 2,9 N•m (Aprox. 30 Kgf•cm)
-	-		A baixa velocidade, aprox. 8 N•m (Aprox. 81,6 Kgf•cm)
-	-		A alta velocidade, aprox. 1,5 N•m (Aprox. 14,7 Kgf•cm)

Quando aparafusar parafusos de montagem	Incrementos	Orientação para diâmetro do parafuso de montagem
	1 - 3	2,5 mm
	4 - 8	3 mm
	9 - 18	4 mm
	19 - 21	5 mm

Acender a lâmpada da frente

⚠PRECAUÇÃO: Não olhe para a luz ou para a fonte de iluminação diretamente.

Para ligar a luz, deslize o interruptor da lâmpada para a posição A. Para desligar a luz, deslize o interruptor da lâmpada para a posição B.

Mesmo que deixe a lâmpada ligada, a luz desliga automaticamente após 5 minutos.

► **Fig.6:** 1. Interruptor da lâmpada 2. Lâmpada

NOTA: A lâmpada emite sinais ao piscar durante a utilização quando a potência da bateria estiver quase gasta.

Nesta altura, recarregue a bateria ou substitua a bateria por uma bateria completamente carregada.

MONTAGEM

⚠PRECAUÇÃO: Certifique-se sempre de que a ferramenta está desligada e a bateria retirada antes de executar qualquer trabalho na ferramenta.

Instalar ou retirar a broca de aparafusar/broca de contacto

► **Fig.7**

Utilize só brocas de aparafusar/brocas de contacto que tenham a parte de inserção como mostrado na figura. Não utilize outras brocas de aparafusar/brocas de contacto.

Para ferramenta com furo de broca de aparafusar raso

A=12 mm B=9 mm	Utilize só estes tipos de brocas de aparafusar. Execute o procedimento 1. (Nota) Não necessita de extensão da broca.
-------------------	--

Para ferramenta com furo de broca de aparafusar fundo

A=17 mm B=14 mm	Para instalar estes tipos de broca de aparafusar, execute o procedimento 1.
A=12 mm B=9 mm	Para instalar estes tipos de broca de aparafusar, execute o procedimento 2. (Nota) Necessita de extensão da broca para instalar a broca.

Procedimento 1

► **Fig.8:** 1. Broca de aparafusar 2. Manga

Para instalar a broca de aparafusar, puxe a manga na direção da seta e coloque a broca de aparafusar dentro da manga, o mais fundo possível.

Em seguida, solte a manga para prender a broca de aparafusar.

Procedimento 2

Além do **Procedimento 1**, insira a extensão da broca dentro da manga com a extremidade pontiaguda virada para dentro.

► **Fig.9:** 1. Broca de aparafusar 2. Extensão da broca 3. Manga

Para remover a broca de aparafusar, puxe a manga na direção da seta e puxe a broca de aparafusar para fora.

NOTA: Se a broca de aparafusar não estiver colocada suficientemente funda na manga, a manga não voltará para a sua posição original e a broca de aparafusar não ficará presa. Neste caso, volte a colocar a broca de acordo com as instruções acima.

NOTA: Depois de colocar a broca de aparafusar, certifique-se de que está presa firmemente. Se sair, não a utilize.

OPERAÇÃO

⚠PRECAUÇÃO: Quando dobrar a ferramenta para utilizá-la na forma de pistola ou quando colocá-la na vertical para utilizá-la na forma reta, não segure na parte dobrável da ferramenta. Caso não o faça, as suas mãos e dedos poderão ficar agarrados e feridos por esta peça.

A ferramenta pode ser utilizada de duas formas: uma forma reta e uma forma em pistola, as quais são selecionáveis de acordo com as condições do local de trabalho e da chave de fendas.

► **Fig.10:** 1. Forma reta 2. Forma em pistola

Operação da chave de parafusos

⚠PRECAUÇÃO: Ajuste o anel de regulação para o nível de binário adequado ao seu trabalho.


⚠PRECAUÇÃO: Certifique-se de que a broca de aparafusar está inserida a direito na cabeça do parafuso, ou o parafuso e/ou a broca de aparafusar podem ficar danificados.

Coloque a ponta da broca de aparafusar na cabeça do parafuso e aplique pressão na ferramenta. Inicie a ferramenta lentamente e, depois, aumente gradualmente a velocidade. Solte o gatilho do interruptor assim que a embraiagem entrar em ação.

► **Fig.11**

NOTA: Quando aparafusar parafusos para madeira, perfure previamente um orifício piloto com 2/3 do diâmetro do parafuso. Facilita o aparafusamento e evita fissuras na peça de trabalho.

Operação de perfuração

Primeiro, rode o anel de regulação para que a seta aponte para a marca . Depois continue como se segue.

Perfurar em madeira

Quando perfurar em madeira, os melhores resultados são obtidos com brocas para madeira equipadas com um parafuso guia. O parafuso guia facilita a perfuração empurrando a broca de perfuração para dentro da peça de trabalho.

Perfurar em metal

Para evitar que a broca de perfuração deslize quando começa um orifício, faça um entalhe com um punção de bico e um martelo no ponto a perfurar. Coloque a ponta da broca de perfuração no entalhe e comece a perfurar. Utilize um lubrificante de corte quando perfurar metais. As exceções são ferro e latão, que devem ser perfurados a seco.

⚠PRECAUÇÃO: Não acelerará a perfuração se exercer demasiada pressão na ferramenta. Na realidade, esta pressão excessiva servirá apenas para danificar a ponta da broca de perfuração, diminuir o desempenho da ferramenta e encurtar o tempo de vida útil da ferramenta.

⚠PRECAUÇÃO: Segure a ferramenta com firmeza e tenha cuidado quando a broca de perfuração começar a atravessar a peça de trabalho. No momento de atravessar o orifício, exercer-se-á uma enorme força na ferramenta/broca de perfuração.

⚠PRECAUÇÃO: Uma broca de perfuração presa pode ser retirada colocando-se simplesmente o interruptor de inversão para rotação inversa para fazê-la sair. No entanto, a ferramenta pode saltar para trás de repente se não a agarrar firmemente.


⚠PRECAUÇÃO: Fixe sempre as peças de trabalho num torno ou outro dispositivo de fixação semelhante.

⚠PRECAUÇÃO: Se a ferramenta funcionar continuamente até o cartucho da bateria ficar descarregado, deixe a ferramenta de lado 15 minutos antes de prosseguir com uma bateria nova.

Utilizar a ferramenta como uma chave de parafusos manual

► Fig.12

Desligue a ferramenta.

Mova a alavanca de bloqueio para a posição bloqueada .

Rode a ferramenta.

OBSERVAÇÃO: Utilize a ferramenta com um binário de aperto inferior a 5 N•m (50 Kgf•cm).

OBSERVAÇÃO: Não utilize a ferramenta para trabalhos que requeiram uma força excessiva, como apertar um perno M6 ou pernos superiores a M6 ou remover parafusos enferrujados.

NOTA: Esta utilização é conveniente para verificar a função de chave de parafusos.

MANUTENÇÃO

⚠PRECAUÇÃO: Certifique-se sempre de que a ferramenta se encontra desligada e de que a bateria foi retirada antes de executar qualquer inspeção ou manutenção.

OBSERVAÇÃO: Nunca utilize gasolina, benzina, diluente, álcool ou produtos semelhantes. Pode ocorrer a descoloração, deformação ou rachaduras.

Para manter a SEGURANÇA e a FIABILIDADE do produto, as reparações e qualquer outra manutenção ou ajuste devem ser levados a cabo pelos centros de assistência Makita autorizados ou pelos centros de assistência de fábrica, utilizando sempre peças de substituição Makita.

ACESSÓRIOS OPCIONAIS

⚠PRECAUÇÃO: Estes acessórios ou peças são recomendados para utilização com a ferramenta Makita especificada neste manual. A utilização de outros acessórios ou peças pode ser perigosa para as pessoas. Utilize apenas acessórios ou peças para os fins indicados.

Se necessitar de informações adicionais relativas a estes acessórios, solicite-as ao seu centro de assistência Makita.

- Brocas de perfuração
- Brocas de aparafusar
- Ponteiras de soquete
- Extensão da broca
- Caixa de plástico para transporte
- Bateria e carregador genuínos da Makita

NOTA: Alguns itens da lista podem estar incluídos na embalagem da ferramenta como acessórios padrão. Eles podem variar de país para país.

SPECIFIKATIONER

Model:		DF012D
Borekapacitet	Stål	5 mm
	Træ	6 mm
Skrukapacitet	Træskruer	ø3,8 mm x 45 mm
	Maskinskrue	M5
Hastighed uden belastning	Høj (2)	650 min ⁻¹
	Lav (1)	200 min ⁻¹
Længde	Med lige udformning	273 mm
	Med pistoludformning	218 mm
Mærkespænding		D.C. 7,2 V
Nettovægt		0,53 - 0,54 kg

- På grund af vores kontinuerlige forsknings- og udviklingsprogrammer kan hosstående specifikationer blive ændret uden varsel.
- Specifikationer kan variere fra land til land.
- Vægten kan være anderledes afhængigt af tilbehøret, inklusive akkuen. Den letteste og tungeste kombination i henhold til EPTA-procedure 01/2014 er vist i tabellen.

Anvendelig akku og oplader

Akku	BL7010 / BL0715
Oplader	DC10WA / DC10WB

- Nogle af de akkuer og opladere, der er angivet ovenfor, er muligvis ikke tilgængelige, afhængigt af hvilket område du bor i.

⚠ ADVARSEL: Brug kun de akkuer og opladere, der er angivet ovenfor. Brug af andre akkuer og opladere kan medføre personskaade og/eller brand.

Tilsigtet anvendelse

Denne maskine er beregnet til boring og iskruning af skrue i træ, metal og plastic.

Støj

Det typiske A-vægtede støjniveau bestemt i overensstemmelse med EN62841-2-1:

Lydtryksniveau (L_{pA}): 70 dB (A) eller derunder
Usikkerhed (K): 3 dB (A)

Støjniveauet under arbejdet kan overskride 80 dB (A).

BEMÆRK: De(n) angivne støjemissionsværdi(er) er målt i overensstemmelse med en standardtestmetode og kan anvendes til at sammenligne en maskine med en anden.

BEMÆRK: De(n) angivne støjemissionsværdi(er) kan også anvendes i en præliminær eksponeringsvurdering.

⚠ ADVARSEL: Bær høreværn.

⚠ ADVARSEL: Støjemissionen under den faktiske anvendelse af maskinen kan være forskellig fra de(n) angivne værdi(er), afhængigt af den måde hvorpå maskinen anvendes, især den type arbejdsemne der behandles.

⚠ ADVARSEL: Sørg for at identificere de sikkerhedsforskrifter til beskyttelse af operatøren, som er baseret på en vurdering af eksponering under de faktiske brugsforhold (med hensyntagen til alle dele i brugscyklussen, f.eks. de gange, hvor maskinen er slukket, og når den kører i tomgang i tilgift til afbrydertiden).

Vibration

Vibrationens totalværdi (tre-aksial vektorsum) bestemt i overensstemmelse med EN62841-2-1:

Arbejdstilstand: boring i metal

Vibrationsemmission ($a_{h,D}$): 2,5 m/s² eller mindre
Usikkerhed (K): 1,5 m/s²

BEMÆRK: De(n) angivne totalværdi(er) for vibration er målt i overensstemmelse med en standardtestmetode og kan anvendes til at sammenligne en maskine med en anden.

BEMÆRK: De(n) angivne totalværdi(er) for vibration kan også anvendes i en præliminær eksponeringsvurdering.

⚠ ADVARSEL: Vibrationsemissionen under den faktiske anvendelse af maskinen kan være forskellig fra de(n) angivne værdi(er), afhængigt af den måde hvorpå maskinen anvendes, især den type arbejdsemne der behandles.

⚠ ADVARSEL: Sørg for at identificere de sikkerhedsforskrifter til beskyttelse af operatøren, som er baseret på en vurdering af eksponering under de faktiske brugsforhold (med hensyntagen til alle dele i brugscyklussen, f.eks. de gange, hvor maskinen er slukket, og når den kører i tomgang i tilgift til afbrydertiden).

Overensstemmelseserklæringer

Kun for lande i Europa

Overensstemmelseserklæringerne er inkluderet i Bilag A i denne brugsanvisning.

SIKKERHEDSADVARSLER

Almindelige sikkerhedsregler for el-værktøj

⚠ ADVARSEL: Læs alle de sikkerhedsadvarsler, instruktioner, illustrationer og specifikationer, der følger med denne maskine. Forsømmelse af at overholde alle nedenstående instruktioner kan medføre elektrisk stød, brand og/eller alvorlig personskaade.

Gem alle advarsler og instruktioner til fremtidig reference.

Ordet "el-værktøj" i advarslerne henviser til det netforsyede (netledning) el-værktøj eller batteriforsyede (akku) el-værktøj.

Sikkerhedsadvarsler for akku skrue-/boremaskine

Sikkerhedsinstruktioner for alle betjening

1. Hold smaskinen i de isolerede gribeblader, når der udføres et arbejde, hvor skæretilbehøret eller fastgøringsmidlerne kan komme i kontakt med skjulte ledninger. Skæretilbehøret eller fastgøringsmidler, som kommer i kontakt med en strømførende ledning, kan bevirke, at udsatte metaldele på maskinen bliver strømførende, hvorved operatøren kan få elektrisk stød.
2. Vær altid sikker på, at De har et godt fodfæste. Vær sikker på, at der ikke befinder sig nogen nedenunder, når maskinen anvendes i højden.

3. Hold godt fast i maskinen.
4. Hold hænderne væk fra roterende dele.
5. Lad ikke maskinen køre i tomgang. Anvend kun maskinen håndholdt.
6. Rør ikke ved borebitten eller arbejdsstykket umiddelbart efter arbejdet, da de kan være meget varme og give hudforbrændinger.
7. Nogle materialer indeholder kemikalier, som kan være giftige. Vær påpasselig med at forhindre inhalering af støv og hudkontakt. Følg materiale-leverandørens sikkerhedsdata.
8. Hvis borebitten ikke kan løsnes, selvom du åbner kæberne, skal du bruge en tang til at trække den ud. Hvis du i et sådant tilfælde trækker borebitten ud i hånden, kan det medføre personskaade på grund af dens skarpe kant.

Sikkerhedsinstruktioner ved brug af lange borebits

1. Må aldrig anvendes ved en højere hastighed end den maksimale hastighedsnormering for borebitten. Ved højere hastigheder er det sandsynligt, at bittens bøj, hvis den tillades at dreje frit uden kontakt med arbejdsstykket, hvilket resulterer i personskaade.
2. Start altid boring ved lav hastighed og med spidsen af bittens i kontakt med arbejdsstykket. Ved højere hastigheder er det sandsynligt, at bittens bøj, hvis den tillades at dreje frit uden kontakt med arbejdsstykket, hvilket resulterer i personskaade.
3. Tryk kun direkte i bittens retning og anvend ikke for meget tryk. Bits kan bøje og forårsage brud eller tab af kontrollen, hvilket kan medføre personskaade.

GEM DISSE FORSKRIFTER.

⚠ ADVARSEL: LAD IKKE bekvemmelighed eller kendskab til produktet (opnået gennem gentagen brug) forhindre, at sikkerhedsforskrifterne for produktet nøje overholdes. MISBRUG eller forsømmelse af at følge de i denne brugsvejledning givne sikkerhedsforskrifter kan medføre alvorlig personskaade.

Vigtige sikkerhedsinstruktioner for akkuen

1. Læs alle instruktioner og advarselsmærkater på (1) akku-opladeren, (2) akkuen og (3) produktet, som anvender akku.
2. Lad være med at skille akkuen ad.
3. Hold straks op med anvendelsen, hvis brugstiden er blevet stærkt afkortet. Fortsat anvendelse kan resultere i risiko for overophedning, forbrændinger og endog eksplosion.
4. Hvis De har fået elektrolytvæske i øjnene, skal De straks skylle den ud med rent vand og derefter øjeblikkeligt søge lægehjælp. I modsat fald kan De miste synet.
5. Vær påpasselig med ikke at komme til at kortslutte akkuen:
 - (1) Rør ikke ved terminalerne med noget ledende materiale.
 - (2) Undgå at opbevare akkuen i en beholder sammen med andre genstande af metal, for eksempel søm, mønter og lignende.
 - (3) Udsæt ikke akkuen for vand eller regn.

Kortslutning af akkuen kan forårsage en kraftig øgning af strømmen, overophedning, mulige forbrændinger og endog værktøjstop.

- Opbevar ikke værktøjet og akkuen på et sted, hvor temperaturen kan nå eller overstige 50 °C.
- Lad være med at brænde akkuen, selv ikke i tilfælde, hvor den har lidt alvorlig skade eller er fuldstændig udtjent. Akkuen kan eksplodere, hvis man forsøger at brænde den.
- Lad være med at brænde akkuen eller udsætte den for stød.
- Anvend ikke en beskadiget akku.
- De indbyggede litium-ion-batterier er underlagt lovkrav vedrørende farligt gods. Ved kommerciel transport, f.eks. af tredjeparts transportselskaber, skal særlige krav til forpakning og mærkning overholdes. Ved forberedelse af udstyret til forsendelse skal du kontakte en ekspert i farligt gods. Overhold også eventuel mere detaljeret national lovgivning. Tape eller tildæk åbne kontakter, og pak batteriet på en måde, så det ikke kan flytte sig rundt i pakningen.
- Når akkuen bortskaffes, skal du fjerne den fra maskinen og bortskaffe den på et sikkert sted. Følg de lokale love vedrørende bortskaffelsen af batterier.
- Brug kun batterierne med de produkter, som Makita specificerer. Hvis batterierne installeres i ikke-kompatible produkter, kan det medføre brand, kraftig varme, eksplosion eller udsivning af elektrolyt.
- Hvis maskinen ikke skal bruges i længere tid ad gangen, skal du fjerne batteriet fra maskinen.

GEM DENNE BRUGSANVISNING.

⚠FORSIGTIG: Brug kun originale batterier fra Makita. Brug af uoriginale Makita-batterier, eller batterier som er blevet ændret, kan muligvis medføre brud på batteriet, hvilket kan forårsage brand, personskade eller beskadigelse. Det ugyldiggør også Makita-garantien for Makita-maskinen og opladeren.

Tips til opnåelse af maksimal akku-levetid

- Oplad akkuen, inden den er helt afladet. Stop altid værktøjet, og oplad akkuen, hvis De bemærker, at værktøjeffekten er aftagende.
- Genoplad aldrig en fuldt opladet akku. Overopladning vil afkorte akkuens levetid.
- Oplad akkuen ved stuetemperatur ved 10 °C - 40 °C. Lad altid en varm akku få tid til at køle af, inden den oplades.

FUNKTIONSBESKRIVELSE

⚠FORSIGTIG: Sørg altid for at maskinen er slukket, og at akkuen er taget ud, før der udføres justering eller kontrol af funktioner på maskinen.

Isætning eller fjernelse af akkuen

⚠FORSIGTIG: Sluk altid for værktøjet, før De monterer eller fjerner akkuen.

⚠FORSIGTIG: Hold værktøjet og akkuen fast ved montering eller fjernelse af akkuen. Hvis De ikke holder værktøjet og akkuen fast, kan de glide ud af hænderne på Dem og forårsage beskadigelse af værktøjet og akkuen eller personskade.

► Fig. 1: 1. Knap 2. Akku

For at fjerne akkuen skal du trække den ud af maskinen, mens du trykker på knapperne på begge sider af akkuen.

For at installere akkuen skal du rette tungen på akkuen ind med rillen i kabinettet og skubbe den ind på plads.

⚠FORSIGTIG: Sæt den altid ind indtil den låses på plads med et lille klik. Hvis ikke, kan den utilsigtet falde ud af maskinen og forårsage skade på dig eller nogen andre omkring dig.

⚠FORSIGTIG: Brug ikke magt ved montering af akkuen. Hvis akkuen ikke glider på plads uden problemer, betyder det, at den ikke sættes i på korrekt vis.

Batteribeskyttelsessystem

Maskinen er udstyret med et batteribeskyttelsessystem. Dette system afbryder automatisk strømmen til motoren for at forlænge akkulevetiden.

Maskinen stopper automatisk under anvendelsen, hvis maskinen og/eller akkuen udsættes for den følgende situation:

Lav spænding på akkuen:

Den resterende batteriladning er for lav, og maskinen vil ikke fungere. Hvis De tænder for maskinen, kører motoren igen, men stopper hurtigt. I denne situation skal De fjerne og oplade akkuen.

Låsemekanisme

⚠FORSIGTIG: Når maskinen ikke benyttes, skal du altid indstille låsemekanismen til den låste position B.

► Fig. 2: 1. Låsemekanisme

Når låsemekanismen er i den låste position B, kan kontakten ikke aktiveres.



Når låsemekanismen er i den ulåste position A, kan kontakten aktiveres.

Afbryderbetjening

⚠️FORSIGTIG: Før akkuen sættes i maskinen, skal du altid kontrollere, at kontakten reagerer korrekt og vender tilbage til "OFF"-stillingen, når du slipper den.

⚠️FORSIGTIG: Kontrollér altid omløbsretningen, inden arbejdet påbegyndes.

► Fig.3: 1. Låsemekanisme 2. Kontakt

Du starter maskinen ved først at flytte låsemekanismen til den ulåste position A for at frigøre kontakten. Derefter skal du blot trykke kontakten mod  C-siden for rotation med uret eller mod  D-siden for rotation mod uret. Slip kontakten for at stoppe.

BEMÆRKNING: Ændr kun retningen, når maskinen er helt standset. Hvis omløbsretningen ændres, inden maskinen er helt stoppet, kan det beskadige maskinen.

Skift af hastighed

► Fig.4: 1. Hastighedsvælger

⚠️FORSIGTIG: Sæt altid hastighedsvælgeren helt til den korrekte stilling. Hvis maskinen anvendes med hastighedsvælgeren sat halvvejs mellem "1"-siden og "2"-siden, kan maskinen lide skade.



⚠️FORSIGTIG: Brug ikke hastighedsvælgeren, mens maskinen kører. Maskinen kan lide skade.

Position af hastighedsvælger	Hastighed	Moment	Anvendelig betjening
1	Lav	Høj	Betjening med høj belastning
2	Høj	Lav	Betjening med let belastning

For at ændre hastigheden skal maskinen først slukkes. Vælg "2"-siden for høj hastighed eller "1" for lav hastighed men højt moment. Sørg for, at hastighedsvælgeren er sat i den rigtige stilling, inden arbejdet påbegyndes. Hvis maskinens hastighed falder meget under betjening med "2", skal vælgeren skubbes hen på "1", og betjeningen genstartes.

Indstilling af drejningsmomentet

► Fig.5: 1. Justeringsring 2. Graduering 3. Pil


Drejningsmomentet kan justeres i 22 niveauer ved at dreje på justeringsringen. Ret gradueringerne ind med pilen på maskinen. Du kan opnå det mindste drejningsmoment på 1, og det maksimale moment på  -mærket. Koblingen slipper på forskellige momentniveauer ved indstilling på nummer 1 til 21. Koblingen fungerer ikke på  -mærket.

Inden arbejdet påbegyndes, skal man skrue en prøveskrue i materialet eller et stykke tilsvarende materiale for at bestemme, hvilket momentniveau der kræves til en bestemt anvendelse.

BEMÆRK: Se nedenstående tabel angående forholdet mellem tallet for momentindstilling og drejningsmomentet.

Drejningsmomentet varierer afhængigt af materialet. Foretag en prøvestrømning for at opnå det ønskede moment før brug.

Retningslinje for koblingens automatiske stop

Arbejdsområde for koblingens automatiske stop		Trin på justeringsringen for drejningsmoment	Drejningsmoment
Høj	Lav		
✓	✓	1	Cirka 0,3 N•m (Cirka 3 Kgf•cm)
✓	✓	5	Cirka 0,82 N•m (Cirka 8,4 Kgf•cm)
✓	✓	9	Cirka 1,35 N•m (Cirka 13,8 Kgf•cm)
-	✓	13	Cirka 1,88 N•m (Cirka 19,2 Kgf•cm)
-	✓	17	Cirka 2,41 N•m (Cirka 24,6 Kgf•cm)
-	✓	21	Cirka 2,9 N•m (Cirka 30 Kgf•cm)
-	-		Ved lav hastighed cirka 8 N•m (Cirka 81,6 Kgf•cm)
-	-		Ved høj hastighed cirka 1,5 N•m (Cirka 14,7 Kgf•cm)

Ved iskruning af maskinskruer	Trin	Retningslinje for maskinskrueens diameter
	1 - 3	2,5 mm
	4 - 8	3 mm
	9 - 18	4 mm
	19 - 21	5 mm

Tænding af lampen foran

⚠FORSIGTIG: Kig aldrig direkte på lyskilden. Lad ikke lyset falde i Deres øjne.

Skub lampekontakten til A-positionen for at tænde lampen. Skub lampekontakten til B-positionen for at slukke lampen. Hvis du lader lampen være tændt, slukkes der automatisk for lyset efter 5 minutter.

► **Fig.6:** 1. Lampekontakt 2. Lampe

BEMÆRK: Lampen signalerer ved at blinke under brug, hvis batteriladningen er næsten brugt op.

På dette tidspunkt skal du genoplade batteriet eller udskifte batteriet med et, der er ladet helt op.

SAMLING

⚠FORSIGTIG: Sørg altid for at maskinen er slukket, og at akkuen er taget ud, før der udføres noget arbejde på maskinen.

Montering og afmontering af skruebit/top

► **Fig.7**

Anvend kun en skruebit/top med en isætningsdel som den, der vises på illustrationen. Brug ikke nogen anden skruebit/top.

Til maskine med lavt skruebit/hul

A=12 mm B=9 mm	Anvend kun disse typer skruebits. Følg fremgangsmåden 1. (Bemærk) Bitstykke er ikke nødvendig.
-------------------	--

Til maskine med dybt skruebit/hul

A=17 mm B=14 mm	Følg fremgangsmåden 1, når disse typer skruebits monteres.
A=12 mm B=9 mm	Følg fremgangsmåden 2, når disse typer skruebits monteres. (Bemærk) Bitstykke er nødvendig ved montering af bitten.

Procedure 1

► **Fig.8:** 1. Skruebit 2. Muffe

For at montere skruebitten, trækkes muffen i pilens retning, og skruebitten sættes så langt ind i muffen, som den kan komme.

Frigør derefter muffen for at fastgøre skruebitten.

Procedure 2

Ud over **Procedure 1** sættes bitstykke ind i muffen med den spidse ende indad.

► **Fig.9:** 1. Skruebit 2. Bitstykke 3. Muffe

For at fjerne skruebitten, skal man trække muffen i pilens retning og trække skruebitten ud.

BEMÆRK: Hvis skruebitten ikke sættes langt nok ind i muffen, vil muffen ikke vende tilbage til dens oprindelige position, og skruebitten vil ikke blive holdt ordentlig fast. I så tilfælde kan De prøve at isætte bitten igen som beskrevet i instruktionerne ovenfor.

BEMÆRK: Kontroller, at skruebitten sidder godt fast, når den er sat ind. Den må ikke bruges, hvis den kommer ud.

ANVENDELSE

⚠FORSIGTIG: Når du bøjer maskinen for at anvende den i pistoludformning, eller retter den ud for at anvende den i den lige udformning, skal du ikke holde på den bøjelige del af maskinen. Hvis du ikke overholder dette, kan det muligvis medføre, at din hånd og fingre kommer i klemme og til skade på denne del.

Maskinen kan bruges på to måder: med en lige udformning og en pistoludformning, der kan vælges afhængigt af forholdene på arbejdspladsen og skruningen.

► **Fig.10:** 1. Lige udformning 2. Pistoludformning

Betjening som skruestrækker

⚠FORSIGTIG: Indstil justeringsringen til det rigtige momentniveau for Deres arbejde.


⚠FORSIGTIG: Sørg for, at skruebitten er sat lige ind i skruehovedet, da skruen og/eller skruebitten ellers kan lide skade.

Anbring skruebitens spids i skruehovedet og udøv tryk på maskinen. Start maskinen langsomt og øg derefter hastigheden gradvist. Slip afbryderknappen, så snart koblingen går i gang.

► **Fig.11**

BEMÆRK: Når man skruer en træskrue i, skal man forbore et føringshul med 2/3 af skrueens diameter. Dette gør iskrningen nemmere og forhindrer, at arbejdsstykket splinter.

Boring

Drej først justeringsringen, så pilen peger på -mærket. Fortsæt derefter som følger.

Boring i træ

Når der bores i træ, opnås det bedste resultat med træbor, som er udstyret med en ledeskruer. Ledeskruen gør boring nemmere ved at trække borebitten ind i arbejdsstykket.

Boring i metal

For at forhindre borebitten i at glide, når man begynder på et hul, skal man lave et hak med en kørner og en hammer på det punkt, hvor der skal bores. Anbring spidsen af borebitten i hakket og begynd boringen. Brug skæresmørelse, når der bores i metal. Undtagelserne er jern og messing, som skal tørbores.

⚠FORSIGTIG: Et kraftigere tryk på maskinen vil ikke gøre boringen hurtigere. Faktisk vil et kraftigere tryk kun føre til skade på spidsen af borebitten, nedsætte maskinen ydelse og afkorte maskinens levetid.

⚠FORSIGTIG: Hold godt fast i maskinen og udvis forsigtighed, når borebitten begynder at bryde igennem arbejdsstykket. Maskinen/borebitten udsættes for en kraftig påvirkning på det tidspunkt, hvor der brydes igennem hullet.

⚠FORSIGTIG: En borebit, der har sat sig fast, kan fjernes ved at man ganske enkelt sætter omløbsvælgeren til baglæns rotation for at bakke ud. Imidlertid kan maskinen pludselig bakke ud, hvis man ikke holder godt fast i den.


⚠FORSIGTIG: Fastgør altid arbejdsemner i en skruestik eller lignende udstyr til fastgørelse.

⚠FORSIGTIG: Hvis maskinen anvendes uafbrudt, indtil akkuen er udtjent, skal maskinen have lov til at hvile i 15 minutter, inden der fortsættes med en ny akku.

Brug af maskinen som en håndskruetrækker

► Fig.12

Sluk for maskinen.

Flyt låsemekanismen hen i den låste stilling . Drej maskinen.

BEMÆRKNING: Brug maskinen med et drejningsmoment på mindre end 5 N•m (50 Kg•cm).

BEMÆRKNING: Brug ikke maskinen til arbejde, der kræver meget kraft, som f.eks. stramning af bolte i størrelse M6 eller bolte, der er større end M6, eller fjernelse af rustne skruer.

BEMÆRK: Dette er praktisk til kontrol af iskrningen.

VEDLIGEHOLDELSE

⚠FORSIGTIG: Vær altid sikker på, at værktøjet er slukket, og at akkuen er taget ud, inden De begynder at udføre inspektion eller vedligeholdelse.

BEMÆRKNING: Anvend aldrig benzin, rensbenzin, fortynder, alkohol og lignende. Det kan medføre misfarvning, deformation eller revner.

For at opretholde produktets SIKKERHED og PÅLIDELIGHED må reparation, vedligeholdelse eller justering kun udføres af et autoriseret Makita servicecenter eller fabrikksservicecenter med anvendelse af Makita reservedele.

EKSTRAUDSTYR

⚠FORSIGTIG: Det følgende tilbehør og ekstraudstyr er anbefalet til brug med Deres Makita maskine, der er beskrevet i denne brugsanvisning. Anvendelse af andet tilbehør eller ekstraudstyr kan udgøre en risiko for personskaade. Anvend kun tilbehør og ekstraudstyr til det beskrevne formål.

Hvis De behøver hjælp ved valg af tilbehør eller ønsker yderligere informationer, bedes De kontakte Deres lokale Makita servicecenter.

- Borebits
- Skruebits
- Muffebits
- Bitstykke
- Plastbæretasken
- Original Makita-akku og oplader

BEMÆRK: Nogle ting på denne liste kan være inkluderet i værktøjspakken som standardtilbehør. Det kan være forskellige fra land til land.

ΠΡΟΔΙΑΓΡΑΦΕΣ

Μοντέλο:		DF012D
Ικανότητες τρυπανίσματος	Ατσάλι	5 mm
	Ξύλο	6 mm
Ικανότητες στερέωσης	Ξυλόβιδα	ø3,8 mm x 45 mm
	Κοχλίας	M5
Ταχύτητα χωρίς φορτίο	Υψηλή (2)	650 min ⁻¹
	Χαμηλή (1)	200 min ⁻¹
Ολικό μήκος	Με ίσιο σχήμα	273 mm
	Με σχήμα πιστολιού	218 mm
Ονομαστική τάση		D.C. 7,2 V
Καθαρό βάρος		0,53 - 0,54 kg

- Λόγω του συνεχιζόμενου προγράμματος έρευνας και ανάπτυξης, οι προδιαγραφές αυτές υπόκεινται σε αλλαγές χωρίς προειδοποίηση.
- Τα τεχνικά χαρακτηριστικά μπορεί να διαφέρουν από χώρα σε χώρα.
- Το βάρος μπορεί να διαφέρει ανάλογα με τα προσαρτήματα, συμπεριλαμβάνοντας την κασέτα μπαταριών. Ο ελαφρύτερος και ο βαρύτερος συνδυασμός, σύμφωνα με τη διαδικασία ΕΡΤΑ 01/2014, παρουσιάζονται στον πίνακα.

Ισχύουσα κασέτα μπαταριών και φορτιστής

Κασέτα μπαταρίας	BL7010 / BL0715
Φορτιστής	DC10WA / DC10WB

- Ορισμένες από τις κασέτες και τους φορτιστές μπαταριών που αναγράφονται παραπάνω ίσως να μην είναι διαθέσιμοι, ανάλογα με την τοποθεσία κατοικίας σας.

⚠ ΠΡΟΕΙΔΟΠΟΙΗΣΗ: Να χρησιμοποιείτε μόνο τις κασέτες μπαταριών και τους φορτιστές που παρατίθενται ανωτέρω. Η χρήση οποιασδήποτε άλλης κασέτας μπαταριών ή φορτιστή μπορεί να προκαλέσει τραυματισμό ή/και πυρκαγιά.

Προοριζόμενη χρήση

Το εργαλείο προορίζεται για τρυπάνισμα και βίδωμα σε ξύλο, μέταλλο και πλαστικό.

Θορύβος

Το τυπικό Α επίπεδο καταμετρημένου θορύβου καθορίζεται σύμφωνα με το EN62841-2-1: Στάθμη ηχητικής πίεσης (L_{pA}): 70 dB (A) ή λιγότερο Αβεβαιότητα (K): 3 dB (A)

Η ένταση θορύβου υπό συνθήκες εργασίας μπορεί να υπερβεί τα 80 dB (A).

ΠΑΡΑΤΗΡΗΣΗ: Η δηλωμένη τιμή(ές) εκπομπής θορύβου έχει μετρηθεί σύμφωνα με την πρότυπη μέθοδο δοκιμής και μπορεί να χρησιμοποιηθεί για τη σύγκριση ενός εργαλείου με κάποιο άλλο.

ΠΑΡΑΤΗΡΗΣΗ: Η δηλωμένη τιμή(ές) εκπομπής θορύβου μπορεί να χρησιμοποιηθεί και στην προκαταρκτική αξιολόγηση της έκθεσης.

⚠ ΠΡΟΕΙΔΟΠΟΙΗΣΗ: Να φοράτε ωτοασπίδες.

⚠ ΠΡΟΕΙΔΟΠΟΙΗΣΗ: Η εκπομπή θορύβου κατά τη χρήση του ηλεκτρικού εργαλείου σε πραγματικές συνθήκες μπορεί να διαφέρει από τη δηλωμένη τιμή(ές) ανάλογα με τους τρόπους χρήσης του εργαλείου, ιδιαίτερα το είδος του τεμαχίου εργασίας που υπόκειται επεξεργασία.

⚠ ΠΡΟΕΙΔΟΠΟΙΗΣΗ: Φροντίστε να λάβετε τα κατάλληλα μέτρα προστασίας του χειριστή βάσει ενός υπολογισμού της έκθεσης σε πραγματικές συνθήκες χρήσης (λαμβάνοντας υπόψη όλες τις συνιστώσες του κύκλου λειτουργίας όπως τους χρόνους που το εργαλείο είναι εκτός λειτουργίας και όταν βρίσκεται σε αδρανή λειτουργία πέραν του χρόνου ενεργοποίησης).

Κραδασμός

Η ολική τιμή δόνησης (άθροισμα τρι-αξονικού διανύσματος) καθορίζεται σύμφωνα με το EN62841-2-1: Είδος εργασίας: τρυπάνισμα σε μέταλλο Εκπομπή δόνησης ($a_{h,D}$): 2,5 m/s² ή λιγότερο Αβεβαιότητα (K): 1,5 m/s²

ΠΑΡΑΤΗΡΗΣΗ: Η δηλωμένη τιμή(ές) συνολικών κραδασμών έχει μετρηθεί σύμφωνα με την πρότυπη μέθοδο δοκιμής και μπορεί να χρησιμοποιηθεί για τη σύγκριση ενός εργαλείου με κάποιο άλλο.

ΠΑΡΑΤΗΡΗΣΗ: Η δηλωμένη τιμή(ές) συνολικών κραδασμών μπορεί να χρησιμοποιηθεί και στην προκαταρκτική αξιολόγηση της έκθεσης.

▲ΠΡΟΕΙΔΟΠΟΙΗΣΗ: Η εκπομπή κραδασμών κατά τη χρήση του ηλεκτρικού εργαλείου σε πραγματικές συνθήκες μπορεί να διαφέρει από τη δηλωμένη τιμή(ές) εκπομπής ανάλογα με τους τρόπους χρήσης του εργαλείου, ιδιαίτερα το είδος του τεμαχίου εργασίας που υπόκειται επεξεργασία.

▲ΠΡΟΕΙΔΟΠΟΙΗΣΗ: Φροντίστε να λάβετε τα κατάλληλα μέτρα προστασίας του χειριστή βάσει ενός υπολογισμού της έκθεσης σε πραγματικές συνθήκες χρήσης (λαμβάνοντας υπόψη όλες τις συνιστώσες του κύκλου λειτουργίας όπως τους χρόνους που το εργαλείο είναι εκτός λειτουργίας και όταν βρίσκεται σε αδρανή λειτουργία πέραν του χρόνου ενεργοποίησης).

Δήλωση Συμμόρφωσης

Μόνο για χώρες της Ευρώπης

Οι Δήλώσεις Συμμόρφωσης περιλαμβάνονται στο Παράρτημα Α στο παρόν εγχειρίδιο οδηγιών.

ΠΡΟΕΙΔΟΠΟΙΗΣΕΙΣ ΑΣΦΑΛΕΙΑΣ

Γενικές προειδοποιήσεις ασφαλείας για το ηλεκτρικό εργαλείο

▲ΠΡΟΕΙΔΟΠΟΙΗΣΗ: Διαβάστε όλες τις προειδοποιήσεις ασφαλείας, οδηγίες, εικονογραφησίες και προδιαγραφές που παρέχονται με αυτό το ηλεκτρικό εργαλείο. Η μη τήρηση όλων των οδηγιών που αναγράφονται κατωτέρω μπορεί να καταλήξει σε ηλεκτροπληξία, πυρκαγιά ή/και σοβαρό τραυματισμό.

Φυλάξτε όλες τις προειδοποιήσεις και τις οδηγίες για μελλοντική παραπομπή.

Στις προειδοποιήσεις, ο όρος «ηλεκτρικό εργαλείο» αναφέρεται σε ηλεκτρικό εργαλείο που τροφοδοτείται από την κύρια παροχή ηλεκτρικού ρεύματος (με ηλεκτρικό καλώδιο) ή σε ηλεκτρικό εργαλείο που τροφοδοτείται από μπαταρία (χωρίς ηλεκτρικό καλώδιο).

Προειδοποιήσεις ασφαλείας για το δραπενοκατσάβιδο μπαταρίας

Οδηγίες ασφαλείας για όλες τις εργασίες

1. Να κρατάτε το ηλεκτρικό εργαλείο από τις μονωμένες επιφάνειες λαβής όταν εκτελείτε εργασίες κατά τις οποίες το εξάρτημα κοπής ή οι συνδετήρες μπορεί να έρθουν σε επαφή με κρυμμένα καλώδια. Αν το εξάρτημα κοπής ή οι συνδετήρες έρθουν σε επαφή με κάποιο ηλεκτροφόρο καλώδιο, μπορεί τα εκτεθειμένα μεταλλικά μέρη του ηλεκτρικού εργαλείου να γίνουν κι αυτά ηλεκτροφόρα και να προκληθεί ηλεκτροπληξία στο χειριστή.

2. Να βεβαιώνετε πάντοτε ότι στέκεστε σταθερά. Όταν χρησιμοποιείτε το εργαλείο σε υψηλές τοποθεσίες, να βεβαιώνετε ότι δεν βρίσκεται κανένας από κάτω.
3. Κρατήστε το εργαλείο σταθερά.
4. Μην πλησιάζετε τα χέρια σας σε περιστρεφόμενα μέρη.
5. Μην αφήνετε το εργαλείο σε λειτουργία. Το εργαλείο πρέπει να βρίσκεται σε λειτουργία μόνο όταν το κρατάτε.
6. Μην αγγίζετε τη μύτη τρυπανιού ή το τεμάχιο εργασίας αμέσως μετά τη λειτουργία του εργαλείου. Μπορεί να είναι εξαιρετικά θερμά και να προκληθεί έγκαιμα στο δέρμα σας.
7. Μερικά υλικά περιέχουν χημικά που μπορεί να είναι τοξικά. Προσέχετε ώστε να αποφεύγετε την εισπνοή σκόνης και την επαφή με το δέρμα. Ακολουθείτε τα δεδομένα ασφαλείας υλικού που παρέχονται από τον προμηθευτή.
8. Αν η μύτη τρυπανιού δεν μπορεί να χαλαρώσει ακόμη κι αν ανοίξετε τις σιαγόνες, χρησιμοποιήστε τανάλια για να την τραβήξετε. Σε αυτή την περίπτωση, αν τραβήξετε τη μύτη τρυπανιού με το χέρι σας, μπορεί να έχει ως αποτέλεσμα τραυματισμό από το κοφτερό άκρο της.

Οδηγίες ασφαλείας όταν χρησιμοποιείτε μακρίες μύτες τρυπανιού

1. Μην θέσετε σε λειτουργία σε υψηλότερη ταχύτητα από τη μέγιστη ονομαστική ταχύτητα της μύτες τρυπανιού. Σε υψηλότερες ταχύτητες, η μύτη είναι πιθανό να λυγίσει αν επιτραπεί να περιστραφεί ελεύθερα χωρίς να έρχεται σε επαφή με το τεμάχιο εργασίας, έχοντας ως αποτέλεσμα προσωπικό τραυματισμό.
2. Να αρχίζετε πάντα να τρυpanίζετε σε χαμηλή ταχύτητα και με τη μύτη τρυπανίσματος σε επαφή με το τεμάχιο εργασίας. Σε υψηλότερες ταχύτητες, η μύτη είναι πιθανό να λυγίσει αν επιτραπεί να περιστραφεί ελεύθερα χωρίς να έρχεται σε επαφή με το τεμάχιο εργασίας, έχοντας ως αποτέλεσμα προσωπικό τραυματισμό.
3. Να ασκείτε πίεση μόνο σε ευθεία γραμμή με τη μύτη και μην ασκείτε υπερβολική πίεση. Οι μύτες μπορούν να λυγίσουν προκαλώντας σπάσιμο ή απώλεια ελέγχου, έχοντας ως αποτέλεσμα προσωπικό τραυματισμό.

ΦΥΛΑΞΕΤΕ ΑΥΤΕΣ ΤΙΣ ΟΔΗΓΙΕΣ.

▲ΠΡΟΕΙΔΟΠΟΙΗΣΗ: ΜΗΝ επιτρέψετε στην άνεση ή στην εξοικειωσή σας με το προϊόν (που αποκτήθηκε από επανειλημμένη χρήση) να αντικαταστήσει την αυστηρή τήρηση των κανόνων ασφαλείας του παρόντος εργαλείου. Η ΛΑΝΘΑΣΜΕΝΗ ΧΡΗΣΗ ή η αμέλεια να ακολουθήσετε τους κανόνες ασφαλείας που διατυπώνονται στο παρόν εγχειρίδιο οδηγιών μπορεί να προκαλέσει σοβαρό προσωπικό τραυματισμό.

Σημαντικές οδηγίες ασφαλείας για κασέτα μπαταριών

1. Πριν χρησιμοποιήσετε την κασέτα μπαταριών, διαβάστε όλες τις οδηγίες και σημειώσεις προφύλαξης (1) στον φορτιστή μπαταριών, (2) στην μπαταρία και (3) στο προϊόν που χρησιμοποιεί την μπαταρία.
2. Μην αποσυρμαρμολογήσετε την κασέτα μπαταριών.

3. Εάν ο χρόνος λειτουργίας έχει γίνει υπερβολικά βραχύς, σταματήστε τη λειτουργία αμέσως. Αλλιώς, μπορεί να έχει ως αποτέλεσμα κίνδυνο υπερθέρμανσης, πιθανά εγκαύματα ή ακόμη και έκρηξη.
4. Εάν ηλεκτρολύτης μπει στα μάτια σας, ξεπλύνετέ τα με καθαρό νερό και ζητήστε ιατρική φροντίδα αμέσως. Αλλιώς, μπορεί να έχει ως αποτέλεσμα απώλεια της όρασης σας.
5. Μην βραχυκυκλώνετε την κασέτα μπαταριών:
 - (1) Μην αγγίζετε τους πόλους με σιδήπυοτε αγώγιμο υλικό.
 - (2) Αποφεύγετε να αποθηκεύετε την κασέτα μπαταριών μέσα σε ένα δοχείο μαζί με άλλα μεταλλικά αντικείμενα όπως καρφιά, νομίσματα, κλπ.
 - (3) Μην εκθέτετε την κασέτα μπαταριών στο νερό ή στη βροχή.

Ένα βραχυκύκλωμα μπαταρίας μπορεί να προκαλέσει μεγάλη ροή ρεύματος, υπερθέρμανση, πιθανά εγκαύματα ακόμη και σοβαρή βλάβη.

6. Μην αποθηκεύετε το εργαλείο και την κασέτα μπαταριών σε τοποθεσίες όπου η θερμοκρασία μπορεί να φτάσει ή να ξεπεράσει τους 50°C.
7. Μην καίτε την κασέτα μπαταριών ακόμη και εάν έχει σοβαρή ζημιά ή είναι εντελώς φθαρμένη. Η κασέτα μπαταριών μπορεί να εκραγεί στη φωτιά.
8. Προσέχετε να μη ρίξετε κάτω ούτε να χτυπήσετε την μπαταρία.
9. Μην χρησιμοποιείτε μπαταρία που έχει υποστεί ζημία.
10. Οι μπαταρίες ιόντων λιθίου που περιέχονται υπόκεινται στις απαιτήσεις της νομοθεσίας για επικίνδυνα αγαθά.

Για εμπορικές μεταφορές, για παράδειγμα από τρίτα μέρη, πρέπει να τηρούνται οι διαμεταφορές, οι ειδικές απαιτήσεις στη συσκευασία και η επισήμανση. Για προετοιμασία του στοιχείου που αποστέλλεται, είναι απαραίτητο να συμβουλευτείτε έναν ειδικό για επικίνδυνα υλικά. Επίσης, τηρήστε τους πιθανούς, πιο αναλυτικούς εθνικούς κανονισμούς. Καλύψτε με αυτοκόλλητη ταινία ή κρύψτε τις ανοικτές επαφές και συσκευάστε την μπαταρία με τρόπο που να μην μπορεί να μετακινείται μέσα στη συσκευασία.

11. Όταν απορρίπτετε την κασέτα μπαταριών, αφαιρέστε την από το εργαλείο και διαθέστε την σε ένα ασφαλές μέρος. Τηρήστε τους τοπικούς κανονισμούς που σχετίζονται με τη διάθεση της μπαταρίας.
12. Χρησιμοποιήστε τις μπαταρίες μόνο με τα προϊόντα που καθορίζει η Makita. Αν τοποθετήσετε τις μπαταρίες σε μη συμβατά προϊόντα μπορεί να έχει ως αποτέλεσμα πυρκαγιά, υπερβολική θερμότητα, έκρηξη ή διαρροή ηλεκτρολύτη.
13. Αν δεν χρησιμοποιείτε το εργαλείο για μεγάλο χρονικό διάστημα, πρέπει να βγάλετε την μπαταρία από το εργαλείο.

ΦΥΛΑΞΤΕ ΤΙΣ ΟΔΗΓΙΕΣ ΑΥΤΕΣ.

ΠΡΟΣΟΧΗ: Να χρησιμοποιείτε μόνο γνήσιες μπαταρίες της Makita. Η χρήση μη γνήσιων μπαταριών Makita, ή μπαταριών που έχουν τροποποιηθεί, μπορεί να έχει ως αποτέλεσμα τη ρήξη της μπαταρίας, προκαλώντας πυρκαγιά, προσωπικό τραυματισμό και βλάβη. Επίσης, θα ακυρωθεί η εγγύηση της Makita για το εργαλείο και φορτιστή Makita.

Συμβουλές για τη διατήρηση της μέγιστης ζωής μπαταρίας

1. Φορτίζετε την κασέτα μπαταριών πριν από την πλήρη αποφόρτισή της. Πάντοτε να σταματάτε τη λειτουργία του εργαλείου και να φορτίζετε την κασέτα μπαταριών όταν παρατηρείτε μειωμένη ισχύ εργαλείου.
2. Ποτέ μην επαναφορτίζετε μια πλήρως φορτισμένη κασέτα μπαταριών. Η υπερφόρτιση μειώνει την ωφέλιμη ζωή της μπαταρίας.
3. Να φορτίζετε την κασέτα μπαταριών σε θερμοκρασία δωματίου, δηλαδή στους 10°C έως 40°C. Αφήστε μια θερμή κασέτα μπαταριών να κρυώσει πριν την φορτίσετε.

ΠΕΡΙΓΡΑΦΗ ΛΕΙΤΟΥΡΓΙΑΣ

ΠΡΟΣΟΧΗ: Να φροντίζετε πάντα για την απενεργοποίηση του εργαλείου και την αφαίρεση της κασέτας μπαταρίας, πριν από οποιαδήποτε ρύθμιση ή έλεγχο της λειτουργίας του.

Τοποθέτηση ή αφαίρεση της κασέτας μπαταριών

ΠΡΟΣΟΧΗ: Να σβήνετε πάντα το εργαλείο πριν τοποθετήσετε ή αφαιρέσετε την κασέτα μπαταριών.

ΠΡΟΣΟΧΗ: Κρατήστε το εργαλείο και την κασέτα μπαταριών σταθερά κατά την τοποθέτηση ή αφαίρεση της κασέτας μπαταριών. Εάν δεν κρατάτε το εργαλείο και την κασέτα μπαταριών σταθερά μπορεί να γλιστρήσουν από τα χέρια σας και να προκαλέσουν βλάβη στο εργαλείο και την κασέτα μπαταριών και προσωπικούς τραυματισμούς.

► **Εικ.1:** 1. Κουμπιά 2. Κασέτα μπαταριών

Για να βγάλετε την κασέτα μπαταρίας, τραβήξτε την από το εργαλείο καθώς πατάτε τα κουμπιά και στις δύο πλευρές της κασέτας.

Για να τοποθετήσετε την κασέτα μπαταρίας, ευθυγραμμίστε τη γλώσσα στην κασέτα μπαταρίας με την αύλακα στην υποδοχή και ολισθήστε τη στη θέση της.

ΠΡΟΣΟΧΗ: Να την τοποθετείτε πάντοτε μέχρι να ασφαλίσει στη θέση της, γεγονός που υποδεικνύεται με ένα χαρακτηριστικό ήχο. Σε αντίθετη περίπτωση, μπορεί να πέσει κατά λάθος από το εργαλείο και να τραυματίσει εσάς ή κάποιον παρευρισκόμενο.

ΠΡΟΣΟΧΗ: Μην τοποθετείτε την κασέτα μπαταριών με βία. Εάν η κασέτα δεν ολισθαίνει με ευκολία, τότε δεν έχει τοποθετηθεί κατάλληλα.

Σύστημα προστασίας μπαταρίας

Το εργαλείο είναι εξοπλισμένο με σύστημα προστασίας της μπαταρίας. Αυτό το σύστημα αποκρίνεται αυτόματα την ισχύ προς το μοτέρ για να παραταθεί η διάρκεια ζωής της μπαταρίας. Το εργαλείο σταματάει αυτόματα κατά τη διάρκεια της λειτουργίας εάν το εργαλείο ή/και η μπαταρία βρεθούν κάτω από την ακόλουθη συνθήκη:

Χαμηλή τάση μπαταρίας:

Η υπόλοιπη χωρητικότητα μπαταρίας είναι πολύ χαμηλή και το εργαλείο δεν λειτουργεί. Αν ενεργοποιήσετε το εργαλείο, το μοτέρ θα τρεθεί ξανά σε λειτουργία αλλά θα σταματήσει σύντομα. Σε αυτή την περίπτωση, αφαιρέστε και επαναφορτίστε την μπαταρία.

Μοχλός κλειδώματος

ΠΡΟΣΟΧΗ: Όταν δεν χρησιμοποιείτε το εργαλείο, να βάζετε πάντα το μοχλό κλειδώματος στην κλειδωμένη θέση B.

► Εικ.2: 1. Μοχλός κλειδώματος

Όταν ο μοχλός κλειδώματος βρίσκεται στην κλειδωμένη θέση B, ο διακόπτης δεν μπορεί να ενεργοποιηθεί. Όταν ο μοχλός κλειδώματος βρίσκεται στην ξεκλειδωτή θέση A, ο διακόπτης μπορεί να ενεργοποιηθεί.

Δράση διακόπτη

ΠΡΟΣΟΧΗ: Πριν τοποθετήσετε την κασέτα μπαταρίας στο εργαλείο, να ελέγχετε πάντα ότι ο διακόπτης ενεργοποιείται κανονικά και επιστρέφει στη θέση «ANENERGO» όταν τον αφήνετε.

ΠΡΟΣΟΧΗ: Να ελέγχετε πάντα τη διεύθυνση περιστροφής πριν από τη λειτουργία.

► Εικ.3: 1. Μοχλός κλειδώματος 2. Διακόπτης

Για να ξεκινήσετε τη λειτουργία του εργαλείου, μετακινήστε πρώτα το μοχλό κλειδώματος στην ξεκλειδωτή θέση A για να απελευθερώσετε το διακόπτη. Μετά, απλά πατήστε το διακόπτη στην πλευρά \leftarrow C για δεξιόστροφη περιστροφή και στην πλευρά \rightarrow D για αριστερόστροφη περιστροφή. Για διακοπή, απελευθερώστε το διακόπτη.

Ρύθμιση της ροπής στερέωσης

► Εικ.5: 1. Ρυθμιστικός δακτύλιος 2. Διαβαθμίσεις 3. Βέλος

Η ροπή στερέωσης μπορεί να ρυθμιστεί σε 22 επίπεδα με την περιστροφή του ρυθμιστικού δακτυλίου. Ευθυγραμμίστε τις διαβαθμίσεις με το βέλος στο κύριο σώμα του εργαλείου. Θα έχετε την ελάχιστη ροπή στερέωσης στο 1 και τη μέγιστη ροπή στην ένδειξη \mathbb{H} . Ο σφικκτήρας θα ολισθαίνει σε διάφορα επίπεδα ροπής όταν τον ρυθμίζετε σε αριθμό από 1 έως 21. Ο σφικκτήρας δεν λειτουργεί στην ένδειξη \mathbb{H} . Πριν από τη λειτουργία, να βιδώνετε μια δοκιμαστική βίδα στο υλικό σας ή σε ένα κομμάτι πανομοιότυπου υλικού για να καθορίζετε το επίπεδο ροπής που απαιτείται για τη συγκεκριμένη εφαρμογή.

ΠΑΡΑΤΗΡΗΣΗ: Δείτε τον ακόλουθο πίνακα για τη σχέση μεταξύ του αριθμού της ρύθμισης ροπής και της ονομαστικής τιμής ροπής στερέωσης.

Η ονομαστική τιμή ροπής στερέωσης διαφέρει ανάλογα με τα υλικά. Πραγματοποιήστε δοκιμαστική στερέωση για να επιτύχετε την επιθυμητή ροπή πριν από τη λειτουργία.

ΕΙΔΟΠΟΙΗΣΗ: Αλλάξτε την κατεύθυνση μόνο αφού το εργαλείο έχει σταματήσει εντελώς. Η αλλαγή της διεύθυνσης περιστροφής πριν σταματήσει το εργαλείο μπορεί να προκαλέσει ζημιά στο εργαλείο.

Αλλαγή ταχύτητας

► Εικ.4: 1. Μοχλός αλλαγής ταχύτητας

ΠΡΟΣΟΧΗ: Να ρυθμίζετε πάντα το μοχλό αλλαγής ταχύτητας πλήρως στη σωστή θέση. Αν χειρίζεστε το εργαλείο όταν ο μοχλός αλλαγής ταχύτητας βρίσκεται ανάμεσα από την πλευρά «1» και την πλευρά «2», μπορεί να προκληθεί ζημιά στο εργαλείο.


ΠΡΟΣΟΧΗ: Μη χρησιμοποιείτε το μοχλό αλλαγής ταχύτητας όταν λειτουργεί το εργαλείο. Μπορεί να προκληθεί ζημιά στο εργαλείο.

Θέση του μοχλού αλλαγής ταχύτητας	Ταχύτητα	Ροπή	Ισχύουσα λειτουργία
1	Χαμηλή	Υψηλή	Λειτουργία μεγάλου φορτίου
2	Υψηλή	Χαμηλή	Λειτουργία μικρού φορτίου

Για να αλλάξετε την ταχύτητα, πρώτα απενεργοποιήστε το εργαλείο. Επιλέξτε την πλευρά «2» για υψηλή ταχύτητα και την πλευρά «1» για χαμηλή ταχύτητα αλλά υψηλή ροπή. Πριν από τη λειτουργία, βεβαιωθείτε ότι ο μοχλός αλλαγής ταχύτητας είναι ρυθμισμένος στη σωστή θέση.

Αν η ταχύτητα εργαλείου είναι πολύ υψηλή κατά τη λειτουργία στην πλευρά «2», ολισθήστε το μοχλό στην πλευρά «1» και αρχίστε ξανά τη λειτουργία.

Κατευθυντήριες γραμμές για αυτόματη διακοπή συμπλέκτη

Εύρος εργασίας για αυτόματη διακοπή συμπλέκτη		Βηματικές αυξήσεις στο ρυθμιστικό δακτύλιο για τη ροπή στερέωσης	Ροπή στερέωσης
Υψηλή	Χαμηλή		
✓	✓	1	Περίπου 0,3 N•m (Περίπου 3 Kgf•cm)
✓	✓	5	Περίπου 0,82 N•m (Περίπου 8,4 Kgf•cm)
✓	✓	9	Περίπου 1,35 N•m (Περίπου 13,8 Kgf•cm)
-	✓	13	Περίπου 1,88 N•m (Περίπου 19,2 Kgf•cm)
-	✓	17	Περίπου 2,41 N•m (Περίπου 24,6 Kgf•cm)
-	✓	21	Περίπου 2,9 N•m (Περίπου 30 Kgf•cm)
-	-		Σε χαμηλή ταχύτητα, περίπου 8 N•m (Περίπου 81,6 Kgf•cm)
-	-		Σε υψηλή ταχύτητα, περίπου 1,5 N•m (Περίπου 14,7 Kgf•cm)

Κατά το βιδωμα κοχλιών	Βηματικές αυξήσεις		Κατευθυντήριες γραμμές για τη διάμετρο κοχλιών	
	1 - 3			2,5 mm
	4 - 8			3 mm
	9 - 18			4 mm
	19 - 21			5 mm

Αναμμα της μπροστινής λάμπας

⚠ ΠΡΟΣΟΧΗ: Μην κοιτάζετε κατευθείαν μέσα στο φως ή στην πηγή φωτός.

Για να ανάψετε το φως, σύρετε το διακόπτη λάμπας προς τη θέση Α. Για να σβήσετε το φως, σύρετε το διακόπτη λάμπας προς τη θέση Β. Ακόμη κι αν αφήσετε τη λάμπα αναμμένη, το φως θα σβήσει αυτόματα μετά από 5 λεπτά.

► **Εικ.6:** 1. Διακόπτης λάμπας 2. Λάμπα

ΠΑΡΑΤΗΡΗΣΗ: Η λάμπα αναβοσβήνει για να δώσει σήμα κατά τη χρήση όταν η ενέργεια μπαταρίας έχει σχεδόν εξαντηθεί.

Σε αυτή την περίπτωση, επαναφορτίστε την μπαταρία ή αντικαταστήστε την μπαταρία με μια πλήρως φορτισμένη.

ΣΥΝΑΡΜΟΛΟΓΗΣΗ

⚠ ΠΡΟΣΟΧΗ: Να βεβαιώνετε πάντα ότι το εργαλείο είναι σφηστό και η κασέτα μπαταρίας έχει αφαιρεθεί πριν εκτελέσετε κάποια εργασία στο εργαλείο.

Τοποθέτηση ή αφαίρεση της μύτης βιδώματος/προέκτασης μύτης

► **Εικ.7**

Να χρησιμοποιείτε μόνο μύτες βιδώματος/προεκτάσεις μυτών που έχουν το τμήμα εισαγωγής που υποδεικνύεται στην εικόνα. Μη χρησιμοποιείτε οποιαδήποτε άλλη μύτη βιδώματος/προέκτασης μύτης.

Για εργαλείο με ρηχή οπή μύτης βιδώματος

A=12 mm
B=9 mm

Να χρησιμοποιείτε μύτες βιδώματος αυτού του τύπου μόνο. Ακολουθήστε τη διαδικασία 1. (Σημείωση) Δεν απαιτείται τεμάχιο μύτης.

Για εργαλείο με βαθιά οπή μύτης βιδώματος

A=17 mm
B=14 mm

Για την τοποθέτηση μυτών βιδώματος αυτού του τύπου, ακολουθήστε τη διαδικασία 1.

A=12 mm
B=9 mm

Για την τοποθέτηση μυτών βιδώματος αυτού του τύπου, ακολουθήστε τη διαδικασία 2. (Σημείωση) Απαιτείται τεμάχιο μύτης για την τοποθέτηση της μύτης.

Διαδικασία 1

► **Εικ.8:** 1. Μύτη βιδώματος 2. Τσοκ

Για να τοποθετήσετε τη μύτη βιδώματος, τραβήξτε το τσοκ προς την κατεύθυνση του βέλους και εισαγάγετε τη μύτη βιδώματος στο τσοκ μέχρι τέρμα. Κατόπιν, αφήστε το τσοκ για να ασφαλίσετε τη μύτη βιδώματος.

Διαδικασία 2

Εκτός από τη **Διαδικασία 1**, εισαγάγετε το τεμάχιο μύτης ώστε το αιχμηρό της άκρο να είναι στραμμένο προς τα μέσα.

► **Εικ.9:** 1. Μύτη βιδώματος 2. Τεμάχιο μύτης 3. Τσοκ

Για να βγάλετε τη μύτη βιδώματος, τραβήξτε το τσοκ προς την κατεύθυνση του βέλους και τραβήξτε τη μύτη βιδώματος προς τα έξω.

ΠΑΡΑΤΗΡΗΣΗ: Αν η μύτη βιδώματος δεν έχει εισαχθεί αρκετά βαθιά μέσα στο τσοκ, το τσοκ δεν θα επιστρέψει στην αρχική του θέση και η μύτη βιδώματος δεν θα ασφαλιστεί. Στην περίπτωση αυτή, προσπαθήστε να εισαγάγετε ξανά την μύτη σύμφωνα με τις παραπάνω οδηγίες.

ΠΑΡΑΤΗΡΗΣΗ: Αφού τοποθετήσετε τη μύτη βιδώματος, βεβαιωθείτε ότι είναι καλά ασφαλισμένη. Αν όμως βγει έξω, μην τη χρησιμοποιήσετε.

ΛΕΙΤΟΥΡΓΙΑ

▲ ΠΡΟΣΟΧΗ: Όταν λυγίζετε το εργαλείο για να χρησιμοποιηθεί σε σχήμα πιστολιού ή όταν το ισιώνετε για να χρησιμοποιηθεί σε ίσιο σχήμα, μην κρατάτε το λυγισμό τμήμα του εργαλείου. Αν δεν το κάνετε αυτό, μπορεί να προκληθεί σύνθλιψη και τραυματισμός του χεριού ή των δακτύλων από αυτό το εξάρτημα.

Το εργαλείο μπορεί να χρησιμοποιηθεί με δύο τρόπους: ίσιο σχήμα και σχήμα πιστολιού, οι οποίοι είναι επιλέξιμοι ανάλογα με τις συνθήκες στο χώρο εργασίας και το βίδωμα.

► **Εικ.10:** 1. Ίσιο σχήμα 2. Σχήμα πιστολιού

Λειτουργία δραπανοκατάβιδου

▲ ΠΡΟΣΟΧΗ: Θέστε το ρυθμιστικό δακτύλιο στο σωστό επίπεδο ροπής για την εργασία σας.


▲ ΠΡΟΣΟΧΗ: Βεβαιωθείτε ότι τοποθετήσατε τη μύτη δραπανοκατάβιδου απευθείας στην κεφαλή της βίδας. Διαφορετικά, μπορεί να προκληθεί ζημιά στη βίδα ή/και στη μύτη δραπανοκατάβιδου.

Τοποθετήστε το άκρο της μύτης δραπανοκατάβιδου στην κεφαλή της βίδας και ασκήστε πίεση στο εργαλείο. Ξεκινήστε αργά το εργαλείο και κατόπιν αυξήστε σταδιακά την ταχύτητα. Αφήστε τη σκανδάλη διακόπτη μόλις ολοκληρώσει ο σφικτήρας.

► **Εικ.11**

ΠΑΡΑΤΗΡΗΣΗ: Κατά το τρυπάνισμα ξυλόβιδας, τρυπάνιστε από πριν μια καθοδηγητική οπή ίση με το 2/3 της διαμέτρου της βίδας. Με αυτόν τον τρόπο διευκολύνεται το βίδωμα και αποφεύγεται η διάσπαση του τεμαχίου εργασίας.

Λειτουργία τρυπανιού

Πρώτα, γυρίστε το ρυθμιστικό δακτύλιο ώστε το βέλος να είναι στραμμένο στην ένδειξη . Κατόπιν, συνεχίστε όπως περιγράφεται στη συνέχεια.

Τρυπάνισμα ξύλου

Όταν τρυπνίζετε σε ξύλο, έχετε καλύτερα αποτελέσματα με μύτες για ξύλο εξοπλισμένες με βίδα οδήγησης. Η βίδα οδήγησης κάνει το τρυπάνισμα ευκολότερο επειδή τραβάει τη μύτη τρυπανιού μέσα στο τεμάχιο εργασίας.

Τρυπάνισμα σε μέταλλο

Για να μην ολισθήσει μια μύτη τρυπανιού όταν ξεκινάτε τη δημιουργία μιας οπής, κάντε ένα κοίλωμα με πόντα και σφυρί στο σημείο όπου θα τρυπνίσετε. Τοποθετήστε τη μύτη τρυπανιού στο κοίλωμα και ξεκινήστε το τρυπάνισμα.

Όταν τρυπνίζετε μέταλλα, χρησιμοποιήστε λιπαντικό κοπής. Εξάιρεση αποτελούν το σίδερο και ο χάλυβας τα οποία θα πρέπει να τρυπνίζετε στεγνά.

▲ ΠΡΟΣΟΧΗ: Η υπερβολική πίεση στο εργαλείο δεν επιταχύνει τη διάτρηση. Στην πραγματικότητα, αυτή η υπερβολική πίεση προκαλεί ζημιά στο άκρο της μύτης τρυπανιού, μείωση της απόδοσης όπως και της διάρκειας ζωής του εργαλείου.

▲ ΠΡΟΣΟΧΗ: Κρατήστε σταθερά το εργαλείο και προσέχετε ιδιαίτερα τη στιγμή που η μύτη τρυπανιού δέρχεται από το άλλο άκρο της οπής. Ασκείται τεράστια δύναμη στο εργαλείο/μύτη τρυπανιού τη στιγμή που διαπερνάει η οπή.

▲ ΠΡΟΣΟΧΗ: Μπορείτε να αφαιρέσετε μια μπλοκαρισμένη μύτη τρυπανιού με απλή ρύθμιση του διακόπτη αντιστροφής στη θέση αντίστροφης περιστροφής, ώστε η μύτη να οπισθοχωρήσει. Ωστόσο, το εργαλείο μπορεί να οπισθοχωρήσει έξω από την οπή απότομα, αν δεν το κρατάτε σταθερά.


▲ ΠΡΟΣΟΧΗ: Να ασφαρίζετε πάντα τα τεμάχια εργασίας σε μέγγενη ή παρόμοια διάταξη συγκράτησης.

▲ ΠΡΟΣΟΧΗ: Αν το εργαλείο λειτουργεί συνεχόμενα έως ότου αποφορτιστεί η κασέτα μπαταριών, αφήστε το εργαλείο σβηστό για 15 λεπτά πριν συνεχίσετε την εργασία με καινούργια μπαταρία.

Χρήση του εργαλείου ως καταβιδιού χειρός

► **Εικ.12**

Απενεργοποιήστε το εργαλείο.

Θέστε το μοχλό κλειδώματος στην κλειδωμένη θέση . Περιστρέψτε το εργαλείο.

ΕΙΔΟΠΟΙΗΣΗ: Χρησιμοποιήστε το εργαλείο με ροπή στερέωσης μικρότερη από 5 N*m (50 Kg*cm).

ΕΙΔΟΠΟΙΗΣΗ: Μη χρησιμοποιήσετε το εργαλείο για εργασίες που απαιτούν υπερβολική δύναμη, όπως το σφίξιμο μπουλονιών M6 ή μπουλονιών μεγαλύτερων από M6 ή την αφαίρεση σκουριασμένων κοχλιών.

ΠΑΡΑΤΗΡΗΣΗ: Αυτή η χρήση είναι βολική για τον έλεγχο του βιδώματος.

ΣΥΝΤΗΡΗΣΗ

⚠ ΠΡΟΣΟΧΗ: Πριν την εκτέλεση εργασιών επιθεώρησης ή συντήρησης, πάντοτε να βεβαιώνετε ότι η συσκευή απενεργοποιήθηκε και η κασέτα μπαταριών έχει αφαιρεθεί.

ΕΙΔΟΠΟΙΗΣΗ: Μην χρησιμοποιείτε ποτέ βενζίνη, πετρελαϊκό αιθέρα, διαλυτικό, αλκοόλη ή παρόμοιες ουσίες. Μπορεί να προκληθεί αποχρωματισμός, παραμόρφωση ή ρωγμές.

Για τη διατήρηση της ΑΣΦΑΛΕΙΑΣ και ΑΞΙΟΠΙΣΤΙΑΣ του προϊόντος, οι επισκευές και οποιαδήποτε άλλη εργασία συντήρησης ή ρύθμισης πρέπει να εκτελούνται από εξουσιοδοτημένα ή εργοστασιακά κέντρα εξυπηρέτησης της Makita, χρησιμοποιώντας πάντοτε ανταλλακτικά της Makita.

ΠΡΟΑΙΡΕΤΙΚΑ ΕΞΑΡΤΗΜΑΤΑ

⚠ ΠΡΟΣΟΧΗ: Αυτά τα εξαρτήματα ή προσαρτήματα συνιστώνται για χρήση με το εργαλείο Makita που περιγράφηκε στις οδηγίες αυτές. Η χρήση οποιωνδήποτε άλλων εξαρτημάτων ή προσαρτημάτων μπορεί να προκαλέσει κίνδυνο τραυματισμού σε άτομα. Να χρησιμοποιείτε τα εξαρτήματα ή προσαρτήματα μόνο για την χρήση που προορίζονται.

Εάν χρειάζεστε οποιαδήποτε βοήθεια για περισσότερες πληροφορίες σε σχέση με αυτά τα εξαρτήματα, αποταθείτε στο τοπικό σας κέντρο εξυπηρέτησης Makita.

- Μύτες τρυπανιού
- Μύτες βιδώματος
- Μύτες με υποδοχή
- Τεμάχιο μύτης
- Πλαστική θήκη μεταφοράς
- Γνήσια μπαταρία και φορτιστής της Makita

ΠΑΡΑΤΗΡΗΣΗ: Μερικά στοιχεία στη λίστα μπορεί να συμπεριλαμβάνονται στη συσκευασία εργαλείου ως στάνταρ εξαρτήματα. Μπορεί να διαφέρουν ανάλογα με τη χώρα.

TEKNİK ÖZELLİKLER

Model:		DF012D
Delme kapasiteleri	Çelik	5 mm
	Tahta	6 mm
Sıkıştırma kapasiteleri	Ahşap vidası	ø3,8 mm x 45 mm
	Makine vidası	M5
Yüksüz hız	Yüksek (2)	650 min ⁻¹
	Düşük (1)	200 min ⁻¹
Toplam uzunluk	Düz şekilde	273 mm
	Tabanca şeklinde	218 mm
Anma voltajı		D.C. 7,2 V
Net ağırlık		0,53 - 0,54 kg

- Sürekli yapılan araştırma ve geliştirmelerden dolayı, burada belirtilen özellikler önceden bildirilmeksizin değiştirilebilir.
- Özellikler ülkeden ülkeye değişebilir.
- Ağırlık, ekli aksesuar/aksesuarlara ve batarya kartuşuna bağlı olarak farklılık gösterebilir. EPTA-Prosedürü 01/2014'e göre en hafif ve en ağır kombinasyonlar tabloda verilmiştir.

Geçerli batarya kartuşu ve şarj aleti

Batarya kartuşu	BL7010 / BL0715
Şarj aleti	DC10WA / DC10WB

- Yukarıda listelenen batarya kartuşlarının ve şarj aletlerinin bazıları yaşadığınız bölgeye bağlı olarak mevcut olmayabilir.

UYARI: Sadece yukarıda listelenen batarya kartuşlarını ve şarj aletlerini kullanın. Başka batarya kartuşlarının ve şarj aletlerinin kullanılması yaralanma ve/veya yangına neden olabilir.

Kullanım amacı

Bu alet ahşap, metal ve plastik malzemede delme ve vidalama işlemleri için kullanılması amaçlanmıştır.

Gürültü

Tipik A-ağırlıklı gürültü düzeyi (EN62841-2-1 standardına göre belirlenen):
Ses basınç seviyesi (L_{pA}): 70 dB (A) veya daha az
Belirsizlik (K): 3 dB (A)

İşlem sırasında gürültü seviyesi 80 dB (A)'yi geçebilir.

NOT: Beyan edilen gürültü emisyonu değer(ler) i bir standart test yöntemine uygun şekilde ölçülmüştür ve bir aleti bir başkasıyla karşılaştırmak için kullanılabilir.

NOT: Beyan edilen gürültü emisyonu değer(ler) i bir ön maruz kalma değerlendirmesi olarak da kullanılabilir.

UYARI: Kulak koruyucuları takın.

UYARI: Elektrikli aletin gerçek kullanımı sırasındaki gürültü emisyonu, aletin kullanım biçimlerine, özellikle işlenen iş parçasının türüne bağlı olarak beyan edilen değer(ler)den farklı olabilir.

UYARI: Gerçek kullanım koşullarındaki tahmini maruziyeti baz alan, operatörü koruyacak güvenlik önlemlerini mutlaka belirleyin (çalışma döngüsü içerisinde aletin kapalı olduğu ve aktif durumda olmasının yanı sıra boşta çalıştığı zamanlar gibi, bütün zaman dilimleri göz önünde bulundurarak).

Titreşim

Titreşim toplam değeri (üç eksenli vektör toplamı) (EN62841-2-1 standardına göre hesaplanan):
Çalışma modu: metal delme
Titreşim emisyonu (a_{h,D}): 2,5 m/s²den az
Belirsizlik (K) : 1,5 m/s²

NOT: Beyan edilen titreşim toplam değer(ler) i bir standart test yöntemine uygun şekilde ölçülmüştür ve bir aleti bir başkasıyla karşılaştırmak için kullanılabilir.

NOT: Beyan edilen titreşim toplam değer(ler) i bir ön maruz kalma değerlendirmesi olarak da kullanılabilir.

⚠UYARI: Elektrikli aletin gerçek kullanımı sırasındaki titreşim emisyonu, aletin kullanım biçimlerine, özellikle işlenen iş parçasının türüne bağlı olarak beyan edilen değer(ler)den farklı olabilir.

⚠UYARI: Gerçek kullanım koşullarındaki tahmini maruziyeti baz alan, operatörü koruyacak güvenliğin önlemlerini mutlaka belirleyin (çalışma döngüsü içerisinde aletin kapalı olduğu ve aktif durumda olmasının yanı sıra boşta çalıştığı zamanlar gibi, bütün zaman dilimleri göz önünde bulundurarak).

Uygunluk Beyanları

Sadece Avrupa ülkeleri için

Uygunluk beyanları bu kullanma kılavuzuna Ek A olarak eklenmiştir.

GÜVENLİK UYARILARI

Genel elektrikli alet güvenliği uyarıları

⚠UYARI: Bu elektrikli aletle birlikte sunulan tüm güvenlik uyarılarını, talimatları, çizimleri ve teknik özellikleri okuyun. Aşağıda verilen talimatlara uyulmaması elektrik şoku, yangın ve/veya ciddi yaralanmalar ile sonuçlanabilir.

Tüm uyarıları ve talimatları ile-ride başvurmak için saklayın.

Uyarılardaki "elektrikli alet" terimi ile ya prizden çalışan (kordonlu) elektrikli aletinizi ya da kendi aküsü ile çalışan (kordsuz) elektrikli aletinizi kastedilmektedir.

Aküü matkap tornavida ile ilgili güvenlik uyarıları

Tüm işlemler için güvenlik talimatları

1. Kesici aksesuarın veya tespit elemanlarının görünmeyen kablolarla temas etme olasılığı bulunan yerlerde çalışırken elektrikli aleti yalıtımlı kavrama yüzeylerinden tutun. Kesici aksesuarın veya tespit elemanlarının "akımlı" bir telle temas etmesi elektrikli aletin yalıtımsız metal kısımlarını "akımlı" hale getirebilir ve kullanıcıyı elektrik şokuna maruz bırakabilir.
2. Her zaman yere sağlam basın. Aleti yüksekte kullandığınızda, altında kimsenin olmadığını emin olun.
3. Aleti sıkıca tutun.
4. Ellerinizi dönen parçalardan uzak tutun.
5. Aleti çalışır durumda bırakmayın. Aleti sadece elinizde iken çalıştırın.
6. Kullanılan ucu veya iş parçasını işlemden hemen sonra ellemeyin; bunlar çok sıcak olup derinizi yakabilir.

7. Bazı malzemeler zehirli olabilen kimyasallar içerirler. Toz yutmayı ve cilt temasını önlemek için tedbir alın. Malzeme sağlayıcısının güvenlik bilgilerine uyun.
8. Matkap ucu, ağızları açmanıza rağmen gevşetilemez ucu çekerek çıkarmak için pense kullanın. Bu durumda matkap ucunun elle çekilerek çıkarılması keskin ucu nedeniyle yaralanmaya neden olabilir.

Uzun matkap uçları kullanırken güvenlik talimatları

1. Matkap ucunun maksimum devir değerinden daha yüksek devirde asla çalıştırmayın. Yüksek devirlerde, iş parçasına dokunmadan serbest dönmesine izin verilirse ucun bükülmesi muhtemel olup yaralanmaya neden olabilir.
2. Her zaman düşük devirde ve uç, iş parçasına temas edecek şekilde delmeye başlayın. Yüksek devirlerde, iş parçasına dokunmadan serbest dönmesine izin verilirse ucun bükülmesi muhtemel olup yaralanmaya neden olabilir.
3. Sadece uç ile aynı hatta baskı uygulayın ve fazla baskı uygulamayın. Uçlar bükülerek kırılma veya kontrol kaybına neden olmak suretiyle yaralanmaya yol açabilir.

BU TALİMATLARI MUHAFAZA EDİNİZ.

⚠UYARI: Ürünü kullanırken (defalarca kullanınca kazanılan) rahatlık ve tanıdıklık duygusunun ilgili ürünün güvenlik kurallarına sıkı sıkıya bağlı kalmanızı yerine geçmesine İZİN VERMEYİN. YANLIŞ KULLANIM veya bu kullanma kılavuzunda belirtilen emniyet kurallarına uymama ciddi yaralanmaya neden olabilir.

Batarya kartuşu hakkında önemli güvenlik talimatları

1. Batarya kartuşunu kullanmadan önce, tüm talimatları ve (1) batarya kartuşu, (2) batarya ve (3) ürün üzerindeki tüm uyarı işaretlerini okuyun.
2. Batarya kartuşunu demonte etmeyin.
3. Çalışma süresi aşırı dercede kısılmışsa kullanmayı derhal bırakın. Aşırı ısınma, yanma riski hatta patlamaya neden olabilir.
4. Gözünüze elektrolit kaçarsa, gözlerinizi temiz suyla durulayın ve hemen tıbbi yardım alın. Görme kaybına yol açabilir.
5. Batarya kartuşuna kısa devre yaptırmayın:
 - (1) Terminallere herhangi bir iletken madde deşirdirmeyin.
 - (2) Batarya kartuşunu çiviler, madeni paralar, vb. gibi başka metal nesnelere aynı kaba koymaktan kaçınınız.
 - (3) Batarya kartuşunu yağmura ya da suya maruz bırakmayın.Kısa devre, büyük bir akım akışına, aşırı ısınmaya, olası yangınlara hatta bataryanın bozulmasına yol açabilir.
6. Aleti ve batarya kartuşunu sıcaklığın 50°C ya da daha yükseğe ulaştığı yerlerde saklamayın.

7. Aşırı derecede hasar görmüş ya da tamamen kullanılamaz durumda olsa bile batarya kartuşunu yakmayın. Batarya kartuşu ateşe atılırsa patlayabilir.
8. Bataryayı düşürmemeye ve çarpmamaya dikkat edin.
9. Hasarlı bataryayı kullanmayın.
10. Aletin içerdği lityum-iyon bataryalar Tehlikeli Eşyalar Yönetmeliğinin gereksinimlerine tabidir. Ticari nakliye işlemleri için, örneğin üçüncü taraflar, nakliye acenteleri tarafından yapılan nakliyelerde, paketleme ve etiketleme gereksinimlerine uyulmalıdır. Nakliyesi yapılacak ürünün hazırlanması için, tehlikeli maddeler konusunda uzman bir kişiye danışın. Lütfen muhtemelen daha ayrıntılı olan ulusal yönetmeliklere de uyun. Açık kontakları bantlayın ya da maskeleyin ve bataryayı paketin içinde hareket etmeyecek şekilde paketlenin.
11. Batarya kartuşunu bertaraf ederken aletten çıkarın ve güvenli bir yerde bertaraf edin. Bataryanın bertaraf edilmesi ile ilgili yerel düzenlemelere uyunuz.
12. Bataryaları sadece Makita tarafından belirtilen ürünlerle kullanın. Bataryaların uyumsuz ürünlere takılması; yangın, aşırı ısınma, patlama ya da elektrolit sızıntısına neden olabilir.
13. Alet uzun süre kullanılmıyacaksa batarya aletten çıkarılmalıdır.

BU TALİMATLARI MUHAFAZA EDİNİZ.

⚠DİKKAT: Sadece orijinal Makita bataryalarını kullanın. Orijinal olmayan Makita bataryaları ya da üzerine değişiklik yapılmış bataryaların kullanımı bataryanın patlamasına ve sonuç olarak yangın, kişisel yaralanma ve hasara neden olabilir. Ayrıca Makita aleti ve şarj aletinin Makita tarafından sunulan garantisini de geçersiz olur.

Maksimum batarya ömrü için ipuçları

1. Batarya kartuşunu tamamen boşalmadan önce şarj edin. Aletin gücünün zayıflamaya başladığını fark ettiğinizde aleti durdurun ve batarya kartuşunu şarj edin.
2. Tam dolu bir batarya kartuşunu asla yeniden şarj etmeyin. Aşırı şarj etme bataryanın hizmet ömrünü kısaltır.
3. Batarya kartuşunu 10°C - 40°C oda sıcaklığında şarj edin. Sıcak bir batarya kartuşunu şarj etmeden önce soğumasını bekleyin.

İŞLEVSEL NİTELİKLER

⚠DİKKAT: Alet üzerinde ayarlama veya işleyiş kontrolü yapmadan önce aletini kapalı ve batarya kartuşunun ayrılmış olduğundan daima emin olun.

Batarya kartuşunun takılması ve çıkarılması

⚠DİKKAT: Batarya kartuşunu takmadan ya da çıkarmadan önce aleti daima kapatın.

⚠DİKKAT: Batarya kartuşunu takarken veya çıkarırken aleti ve batarya kartuşunu sıkıca tutun. Aletin ve batarya kartuşunun sıkıca tutulmaması bunların düşürülmesine sebep olabilir ve alet ve batarya kartuşunun zarar görmesine ya da ciddi yaralanmasına yol açabilir.

► **Şek.1:** 1. Düşme 2. Batarya kartuşu

Batarya kartuşunu çıkarmak için, kartuşun iki yanında bulunan düğmelere bastırarak kartuşu aletten çıkarın.

Batarya kartuşunu takmak için, batarya kartuşu üzerindeki dili yuvanın oluğu ile hizalayın ve yerine oturtun.

⚠DİKKAT: Kartuşu daima küçük bir klik sesi ile yerine kilitlenene kadar ittirin. Aksi takdirde, aletin üzerinden kazara düşerek sizin ya da çevrenizdekilerin yaralanmasına neden olabilir.

⚠DİKKAT: Batarya kartuşunu zorlayarak takmayın. Kartuş kolay bir şekilde kaymıyorsa doğru yerleştirilmemiş demektir.

Batarya koruma sistemi

Bu alet bir batarya koruma sistemi ile donatılmıştır. Bu sistem motora giden gücü otomatik olarak keserek uzun batarya ömrü sağlar.

Alet ve/veya batarya için aşağıdaki durum söz konusu olduğunda aletin işleyiş otomatik olarak durur:

Düşük batarya voltajı:

Kalan batarya kapasitesi çok düşüktür ve alet çalışmaz. Aleti çalıştırırsanız, motor tekrar çalışır fakat kısa zaman sonra durur. Bu durum söz konusuysa, bataryayı çıkarıp şarj edin.

Kilitleme kolu

⚠DİKKAT: Aleti kullanmadığınız zaman, kilitleme kolunu daima kilitli olan B konumunda ayarlayın.

► **Şek.2:** 1. Kilitleme kolu

Kilitleme kolu kilitli olan B konumunda bulunduğu zaman, anahtar işletilemez.

Kilitleme kolu açık olan A konumunda bulunduğu zaman, anahtar işletilebilir.

Anahtar işlemleri

⚠ DİKKAT: Batarya kartuşunu alete takmadan önce, anahtarın düzgün çalıştığından ve bırakıldığında "OFF" (kapalı) pozisyona döndüğünden emin olun.

⚠ DİKKAT: Kullanmadan önce dönüş yönünü daima kontrol edin.

► Şek.3: 1. Kilitleme kolu 2. Anahtar

Aleti çalıştırmak için, önce kilitleme kolunu açık olan A konumuna getirerek anahtarı serbest bırakın. Ardından anahtarı, saat yönünde dönüş için ⇨ C tarafına, saat yönünün tersinde dönüş için ⇨ D tarafına itin. Durdurmak için anahtarı serbest bırakın.

ÖNEMLİ NOT: Dönüş yönünü, ancak alet tamamen durduktan sonra değiştirin. Dönüş yönünün alet durmadan önce değiştirilmesi alete zarar verebilir.

Hız değiştirme

► Şek.4: 1. Hız değiştirme kolu

⚠ DİKKAT: Hız değiştirme kolunu doğru konuma daima tam olarak ayarlayın. Hız değiştirme kolu "1" ile "2" konumları arasında bir pozisyonda iken aleti kullanırsanız alet zarar görebilir.


⚠ DİKKAT: Alet çalışırken hız değiştirme kolunu kullanmayın. Alet zarar görebilir.


Hız değiştirme kolunun konumu	Hız	Tork	Uygulanabilir çalışma
1	Düşük	Yüksek	Ağır yükte çalışma
2	Yüksek	Düşük	Hafif yükte çalışma

Hızı değiştirmek için önce aleti kapatın. Yüksek hız için "2" tarafını, düşük hız ama yüksek tork için "1" tarafını seçin. Kullanmaya başlamadan önce hız değiştirme kolunun doğru konuma ayarlandığından emin olun. "2" hızında çalışırken alet hızı aşırı derecede düşmeye başlarsa, kolu "1"e getirin ve aleti yeniden çalıştırın.

Sıkma torkunun ayarlanması

► Şek.5: 1. Ayarlama halkası 2. Derecelendirme 3. Ok


Ayarlama halkası döndürülerek, sıkıştırma torku 22 kademeli olarak ayarlanabilir. Dereceleri alet gövdesi üzerindeki okla hizalayın. 1. kademede en düşük sıkıştırma torkunu,  işaretinde ise en yüksek torku elde edersiniz.

1 ile 21 arasında bir sayıya ayarlandığında ambreyaj farklı tork seviyelerinde kayacaktır.  işaretinde ambreyaj çalışmaz. Gerçek kullanıma başlamadan önce hangi tork düzeyinin gerekli olduğunu belirlemek için, kullanacağınız malzeme ya da aynı malzemenin bir eşi üzerinde bir vida ile deneme yapın.

NOT: Tork ayarı sayısı ile sıkıştırma torku değeri arasındaki ilişki için aşağıdaki çizelgeye bakın.

Sıkıştırma torku değeri malzemeye göre değişir. İstenen torku elde etmek için kullanımdan önce deneme amaçlı bir sıkıştırma yapın.

Kavramanın otomatik durmasına ilişkin rehber bilgiler

Kavramanın otomatik durmasına ilişkin çalışma aralığı		Sıkma torkunun ayarlama halkası üzerindeki aralıklar	Sıkma torku
Yüksek	Düşük		
✓	✓	1	Yaklaşık 0,3 N•m (Yaklaşık 3 Kg•cm)
✓	✓	5	Yaklaşık 0,82 N•m (Yaklaşık 8,4 Kg•cm)
✓	✓	9	Yaklaşık 1,35 N•m (Yaklaşık 13,8 Kg•cm)
-	✓	13	Yaklaşık 1,88 N•m (Yaklaşık 19,2 Kg•cm)
-	✓	17	Yaklaşık 2,41 N•m (Yaklaşık 24,6 Kg•cm)
-	✓	21	Yaklaşık 2,9 N•m (Yaklaşık 30 Kg•cm)
-	-		Düşük hızda, yaklaşık 8 N•m (Yaklaşık 81,6 Kg•cm)
-	-		Yüksek hızda, yaklaşık 1,5 N•m (Yaklaşık 14,7 Kg•cm)

Makine vidalarını vidalarken	Aralıklar	Makine vidasının çapına ilişkin rehber bilgiler
	1 - 3	2,5 mm
	4 - 8	3 mm
	9 - 18	4 mm
	19 - 21	5 mm

Ön lambanın yakılması

⚠DİKKAT: Işığa bakmayın ya da ışık kaynağını doğrudan görmeyin.

Lambayı yakmak için, lamba anahtarını A konumuna kaydırın. Lambayı kapatmak için, lamba anahtarını B konumuna kaydırın.

Lambayı açık bıraksanız bile, 5 dakika sonra lamba otomatik olarak kapanır.

► **Şek.6:** 1. Lamba anahtarı 2. Lamba

NOT: Kullanım sırasında batarya gücü tükenmek üzereyken, lamba yanıp sönmeye uyarı verir.

Bu durumda, bataryayı yeniden şarj edin veya tam şarjlı başka bir batarya ile değiştirin.

MONTAJ

⚠DİKKAT: Alet üzerinde herhangi bir iş yapmadan önce aletin kapalı ve batarya kartuşunun ayrılmış olduğundan daima emin olun.

Tornavida ucunun/lokma ucunun takılması ya da çıkarılması

► **Şek.7**

Sadece şekilde gösterilen takma kısımları olan tornavida ucunu/lokma ucunu kullanın. Başka herhangi bir tornavida/lokma ucu kullanmayın.

Tornavida ucu takma deliği sıg olan alet için

A=12 mm B=9 mm	Sadece bu tip tornavida uçlarını kullanın. 1 no.lu prosedürünü izleyin. (Not) Uç eki gerekli değildir.
-------------------	--

Tornavida ucu takma deliği derin olan alet için

A=17 mm B=14 mm	Bu tür uçları takmak için 1 no.lu prosedürü kullanın.
A=12 mm B=9 mm	Bu tür uçları takmak için 2 no.lu prosedürü kullanın. (Not) Ucu takmak için uç eki gereklidir.

1 No.lu Prosedür

► **Şek.8:** 1. Tornavida ucu 2. Kovan

Tornavida ucunu takmak için, kovani ok yönünde çekin ve tornavida ucunu girebildiği kadar kovana geçirin. Sonra tornavida ucunu sabitlemek için kovani serbest bırakın.

2 No.lu Prosedür

Yukarıda belirtilen **1 no.lu prosedüre** ek olarak, uç ekini sivri ucu içeri bakacak şekilde manşona yerleştirin.

► **Şek.9:** 1. Tornavida ucu 2. Uç eki 3. Kovan

Ucu çıkarmak için, kovani ok yönünde çekin ve tornavida ucunu dışarı çekin.

NOT: Eğer tornavida ucu kovanın içine yeterince derin sokulmazsa kovani orijinal konumuna dönmez ve uç sabitlenmez. Bu durumda, ucu yukarıdaki talimatlara göre yeniden takmaya çalışın.

NOT: Tornavida ucunu taktıktan sonra, sıkı şekilde sabitlendiğinden emin olun. Eğer dışarı çıkıyorsa, ucu kullanmayın.

KULLANIM

⚠DİKKAT: Aleti tabanca şeklinde kullanmak için bükürken ya da düz şekilde kullanmak için düzleştirirken, aletin bükülebilir kısmından tutmayın. Aksi takdirde, eliniz ya da parmaklarınız bu kısımin arasına sıkışıp yaralanabilir.

Bu alet iki şekilde kullanılabilir; iş yeri ve vidalama koşullarına göre seçilebilen bir düz şekil ve bir tabanca şekli.

► **Şek.10:** 1. Düz şekil 2. Tabanca şekli

Vidalama işlemi

⚠DİKKAT: Ayarlama halkasını yaptığınız iş için uygun olan tork seviyesine ayarlayın.


⚠DİKKAT: Tornavida ucunun vida başına düzgün olarak girdiğinden emin olun, aksi takdirde vida veyvaya tornavida ucu hasar görebilir.

Matkap ucunu vida başına yerleştirin ve alete basınç uygulayın. Aleti yavaş hızda başlatın, hızlı dereceli olarak artırın. Ambreyaj devreye girer girmez anahtar tetiği bırakın.

► **Şek.11**

NOT: Ahşap vidalarla çalışırken, önce vida çapının 2/3'ü büyüklüğünde bir pilot delik delin. Bu işlem, vidalamayı kolaylaştırır ve iş parçasının parçalanmasını önler.

Delme işlemi

Önce, ayarlama halkasını ok  işaretine bakacak şekilde döndürün. Ardından, aşağıda belirtilen şekilde işleme devam edin.

Tahta delerken

Tahta delerken, kılavuz vidalı tahta uçlarıyla en iyi sonuçlar elde edilir. Kılavuz vida, matkap ucunu iş parçasına çekmek suretiyle delme işlemini kolaylaştırır.

Metal delerken

Delik delmeye başlarken, matkap ucunun kaymasını engellemek için zimba ve çekiç yardımı ile delik açılacak noktaya çentik açın. Çentik üstüne matkap ucunu yerleştirip delmeye başlayın. Metal delerken kesme soğutucusu sıvıyı kullanın. Ancak demir ve çelik istisna olup kuru olarak delinmelidir.

⚠ DİKKAT: Alete aşırı baskı yapıldığında delme işlemi hızlanmayacaktır. Aşırı baskı matkap ucunun yıpranmasına, alet performansının düşmesine ve aletin kullanım ömrünün kılmasına yol açacaktır.

⚠ DİKKAT: Matkap ucu, iş parçasını delip çıkmaya başladığında aleti sıkı tutun ve dikkat sarf edin. Deliğin açılması sırasında alet/matkap ucu üzerine çok büyük güç uygulanır.

⚠ DİKKAT: Sıkışan bir matkap ucu, aleti ters yöne döndürerek kolayca çıkartılabilir. Fakat bu durumda aleti sıkıca tutmak gerekir, aksi halde alet darbe ile aniden elden çıkabilir.

⚠ DİKKAT: İş parçalarını daima bir mengene ya da benzer sıkıştırma aygıtlarıyla sabitleyin.

⚠ DİKKAT: Alet, batarya kartuşu bitene kadar sürekli olarak kullanılmışsa, yeni bir batarya takıp devam etmeden önce 15 dakika dinlenin.

Aletin manüel bir tornavida olarak kullanılması

► Şek.12

Aleti kapatın.

Kilitleme kolunu kilitli konuma  getirin.

Aleti döndürün.

ÖNEMLİ NOT: Aleti 5 N•m (50 Kgf•cm)'den düşük bir sıkma torkuyla kullanın.

ÖNEMLİ NOT: Aleti, M6 civataları ya da M6'dan daha büyük civataları sıkıkmak ya da paslı vidaları çıkarmak gibi aşırı güç gerektiren işlerde kullanmayın.

NOT: Bu kullanım, vidaların sıklılığını kontrol etmek için uygundur.

BAKIM

⚠ DİKKAT: Muayene ya da bakım yapmadan önce aletin kapalı ve batarya kartuşunun çıkartılmış olduğundan daima emin olun.

ÖNEMLİ NOT: Benzin, tiner, alkol ve benzeri maddeleri kesinlikle kullanmayın. Renk değişimi, deformasyon veya çatlaklar oluşabilir.

Aleti EMNİYETLİ ve ÇALIŞMAYA HAZIR durumda tutmak için onarımlar, başka her türlü bakım ve ayarlamalar daima Makita yedek parçaları kullanılarak Makita yetkili servis merkezleri veya Fabrikanın Servis Merkezleri tarafından yapılmalıdır.

İSTEĞE BAĞLI AKSESUARLAR

⚠ DİKKAT: Bu aksesuarlar ve ek parçalar bu el kitabında belirtilen Makita aletiniz ile kullanılmak için tavsiye edilmektedir. Herhangi başka bir aksesuar ya da ek parça kullanılması insanlar için bir yaralanma riski getirebilir. Aksesuarları ya da ek parçaları yalnızca belirtilmiş olan kullanım amaçlarına uygun olarak kullanın.

Bu aksesuarlarla ilgili daha fazla bilgiye ihtiyaç duyar-sanız bulunduğunuz yerdeki yetkili Makita servisine başvurun.

- Matkap uçları
- Tornavida uçları
- Lokma uçları
- Uç eki
- Plastik taşıma çantası
- Orijinal Makita batarya ve şarj aleti

NOT: Listedeki parçaların bazıları alet paketi içerisinde standart aksesuar olarak dahil edilmiş olabilir. Bunlar ülkeden ülkeye farklılık gösterebilir.

Makita Europe N.V.

Jan-Baptist Vinkstraat 2, 3070 Kortenberg, Belgium

Makita Corporation

3-11-8, Sumiyoshi-cho, Anjo, Aichi 446-8502 Japan

www.makita.com



885561B996
EN, FR, DE, IT, NL,
ES, PT, DA, EL, TR
20191226