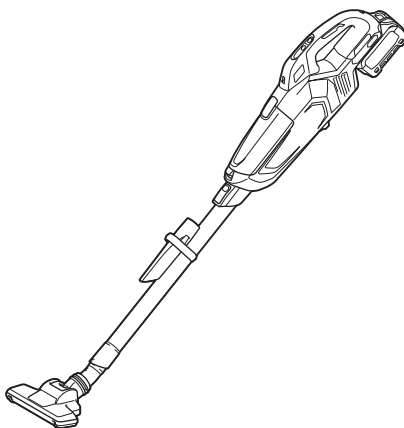




EN	Cordless Cleaner	INSTRUCTION MANUAL	9
SV	Sladdlös dammsugare	BRUKSANVISNING	18
NO	Batteridrevet støvsuger	BRUKSANVISNING	27
FI	Akkukäyttöinen pölynimuri	KÄYTTÖOHJE	36
DA	Akku støvsuger	BRUGSANVISNING	45
LV	Bezvadu tīrītājs	LIETOŠANAS INSTRUKCIJA	54
LT	Belaidis siurblys	NAUDOJIMO INSTRUKCIJA	63
ET	Juhtmeta käsitolmuimeja	KASUTUSJUHEND	72
RU	Аккумуляторный пылесос	РУКОВОДСТВО ПО ЭКСПЛУАТАЦИИ	81

CL002G



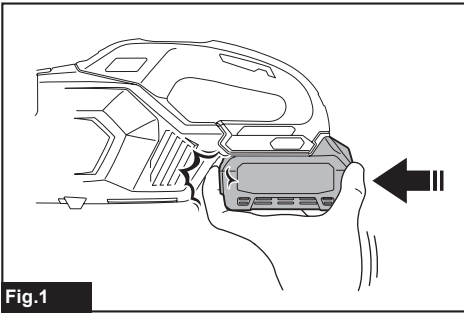


Fig.1

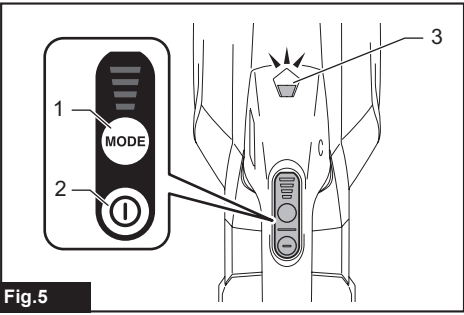


Fig.5

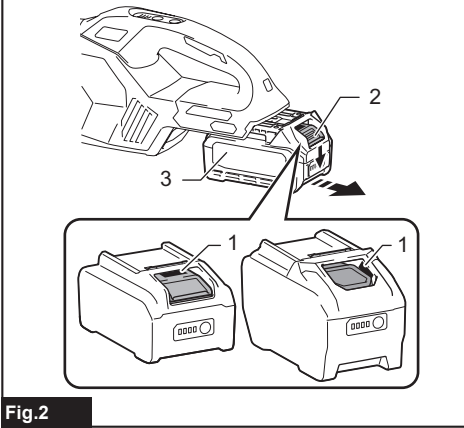


Fig.2

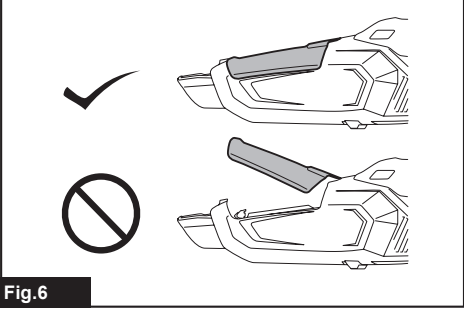


Fig.6

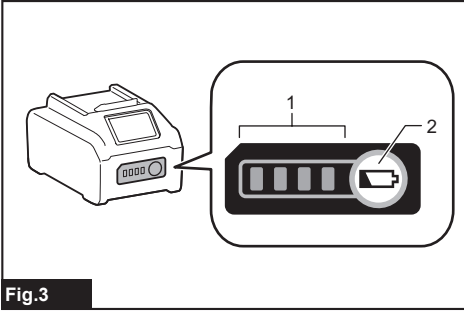


Fig.3

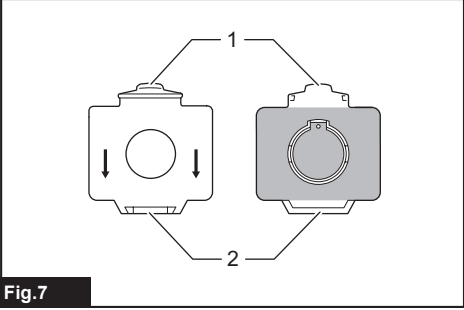


Fig.7

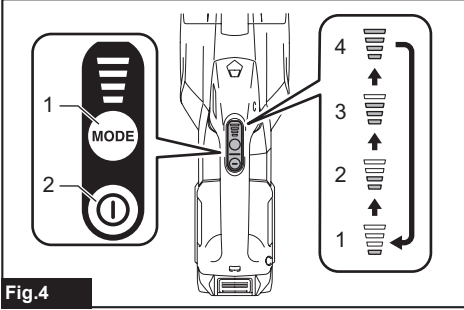


Fig.4

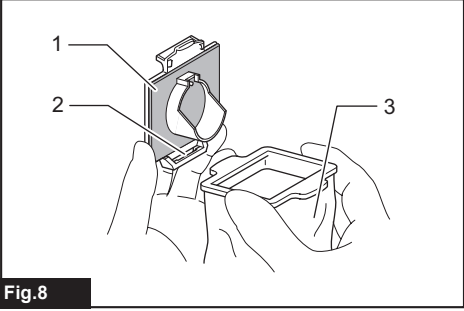


Fig.8

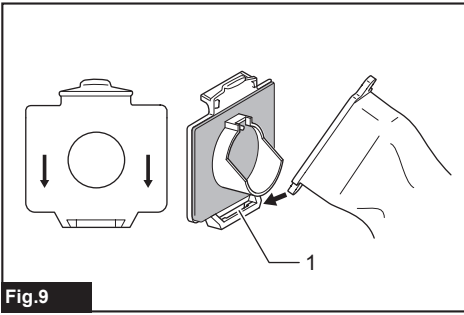


Fig.9

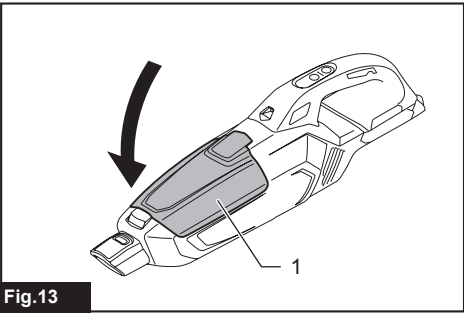


Fig.13

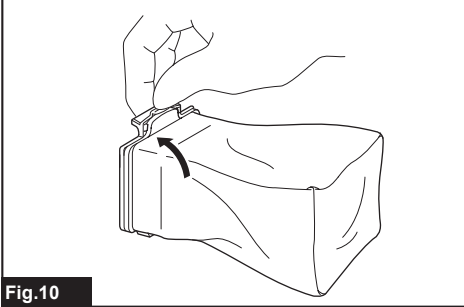


Fig.10

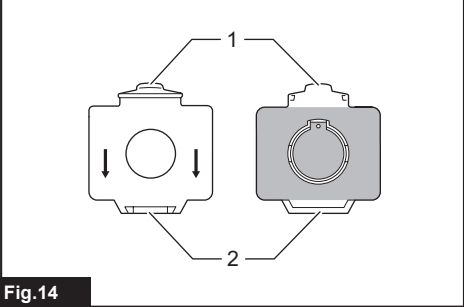


Fig.14

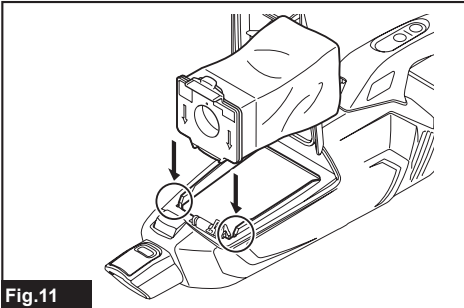


Fig.11

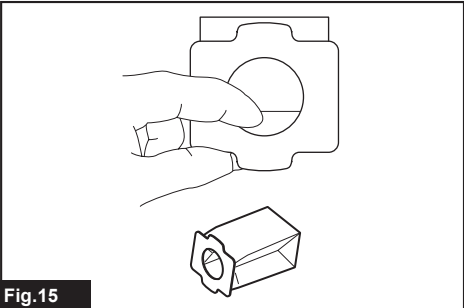


Fig.15

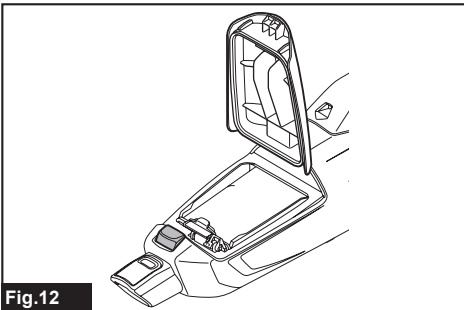


Fig.12

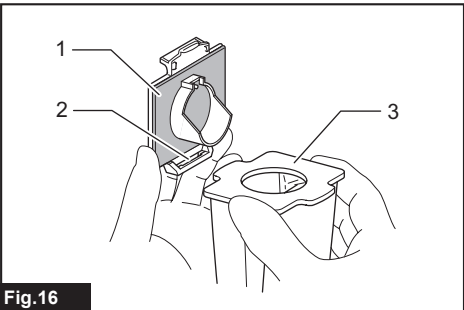


Fig.16

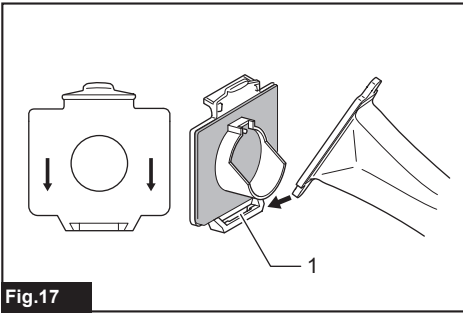


Fig.17

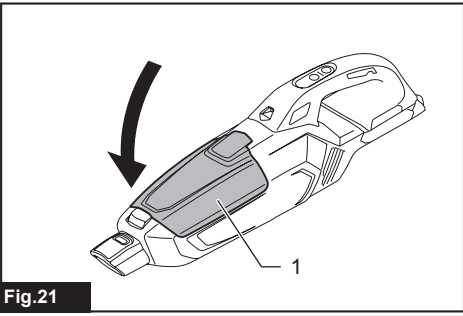


Fig.21

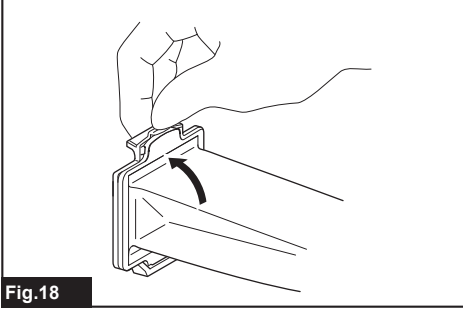


Fig.18

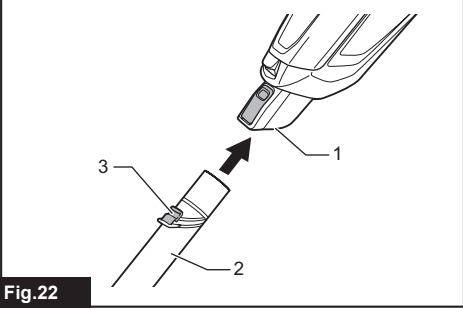


Fig.22

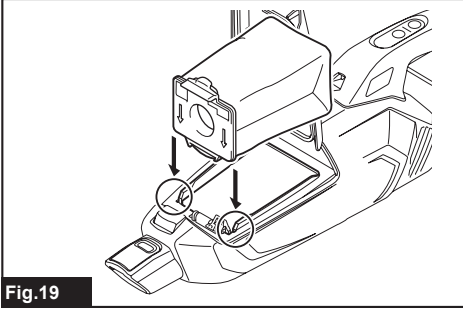


Fig.19

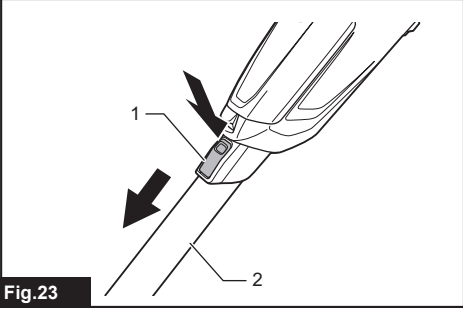


Fig.23

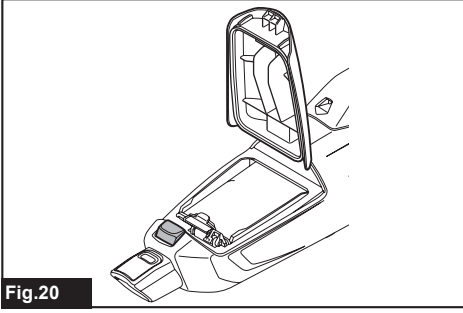


Fig.20

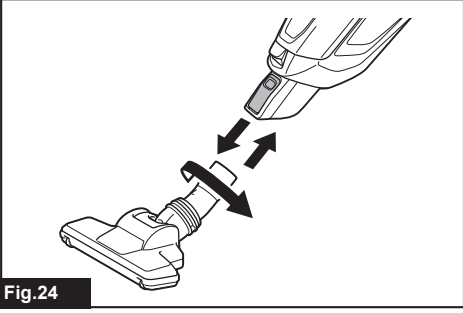
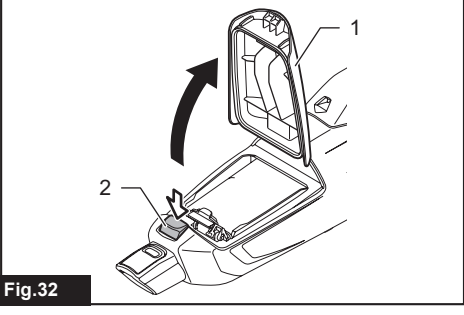
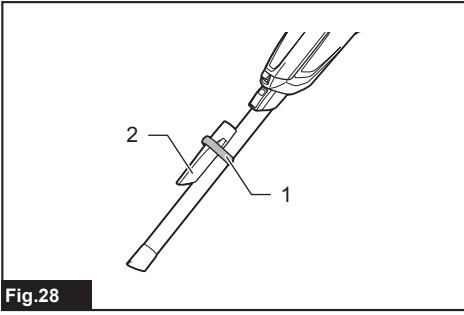
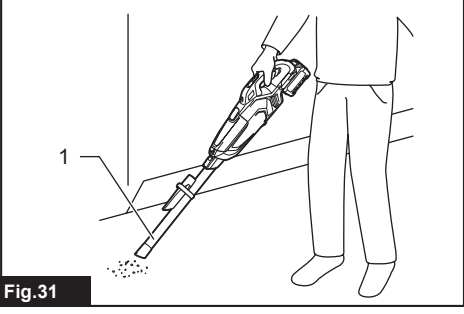
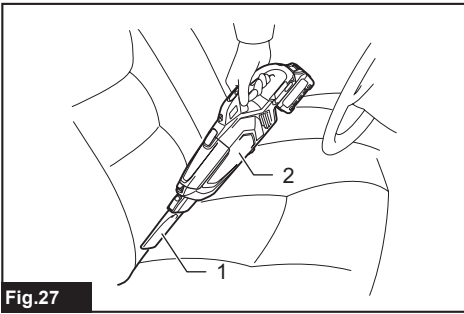
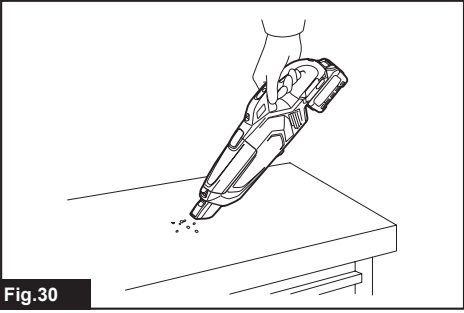
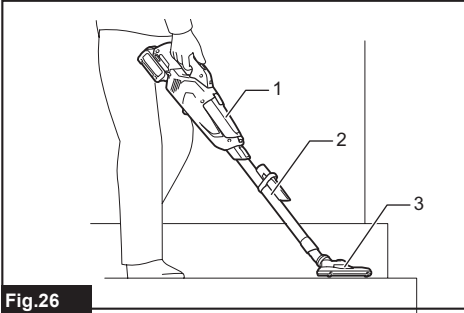
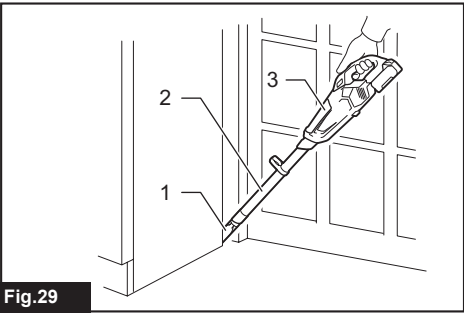
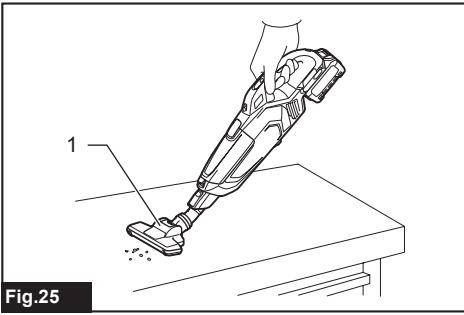
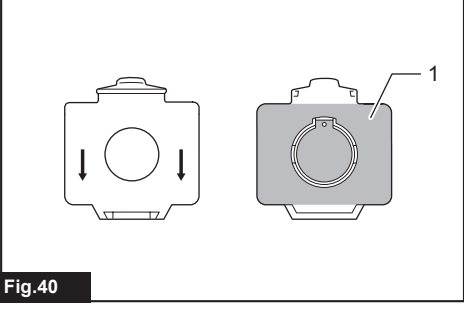
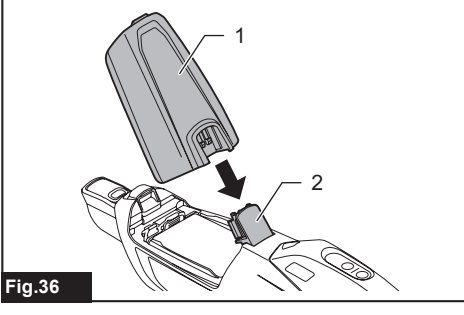
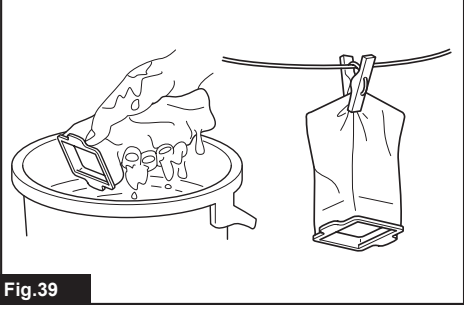
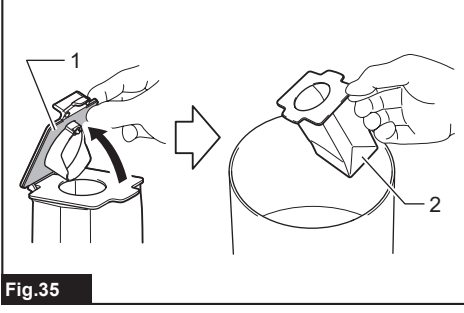
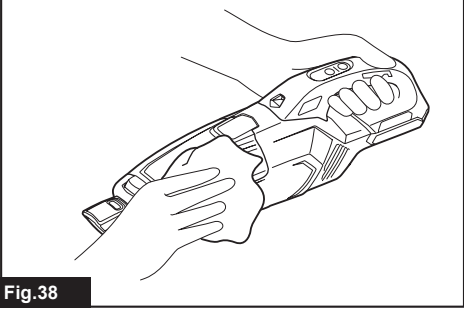
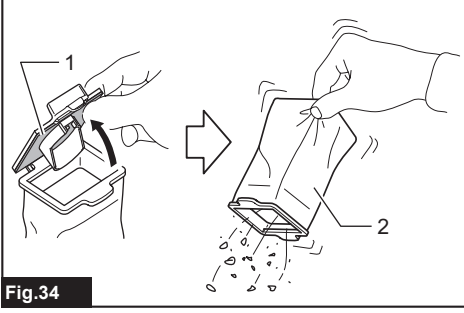
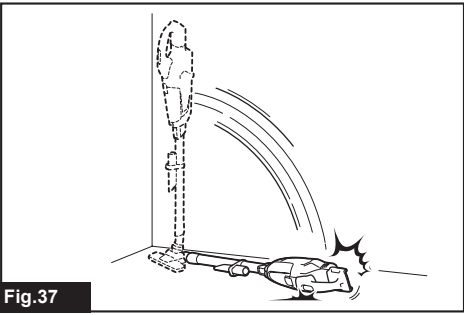
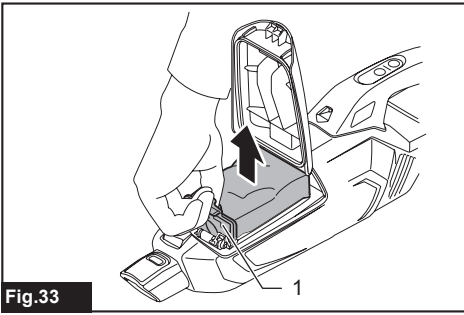


Fig.24





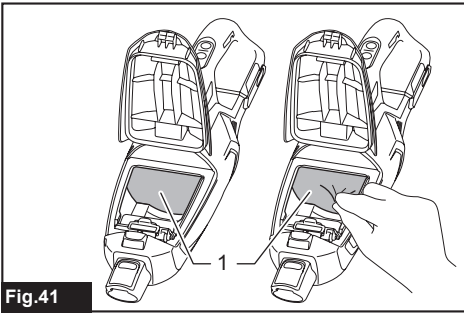


Fig.41

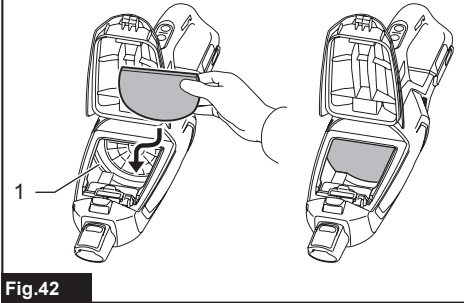


Fig.42

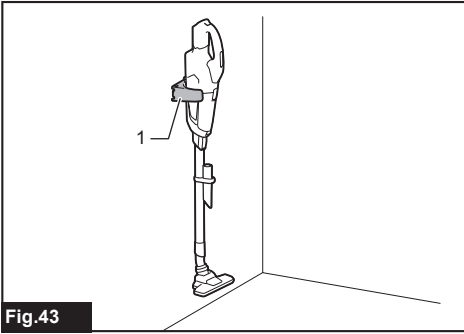


Fig.43

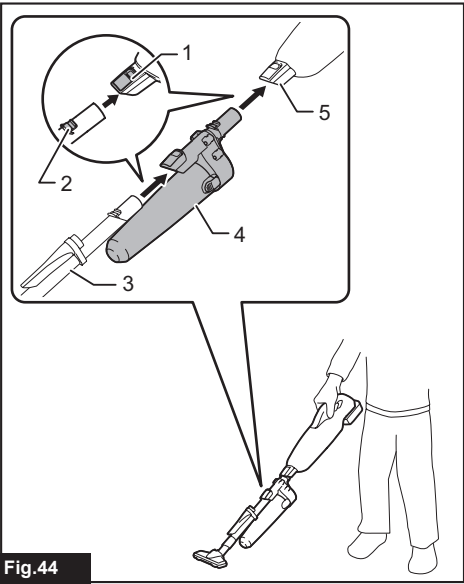


Fig.44

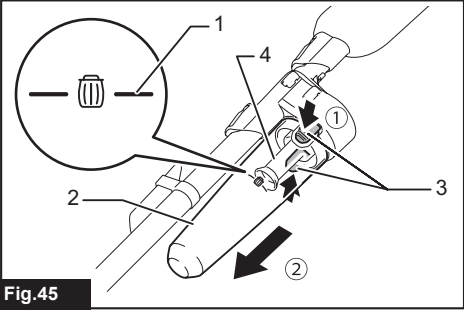


Fig.45

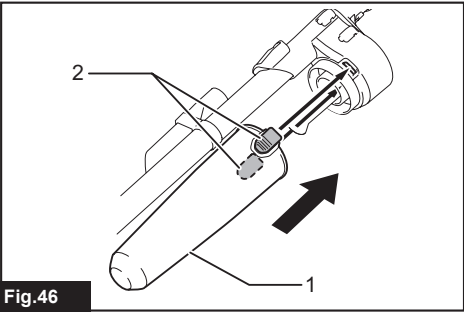
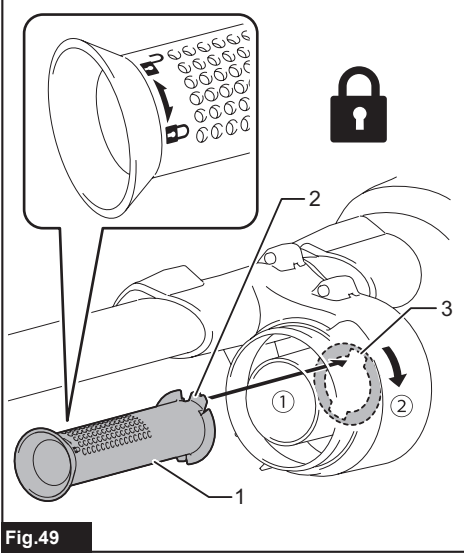
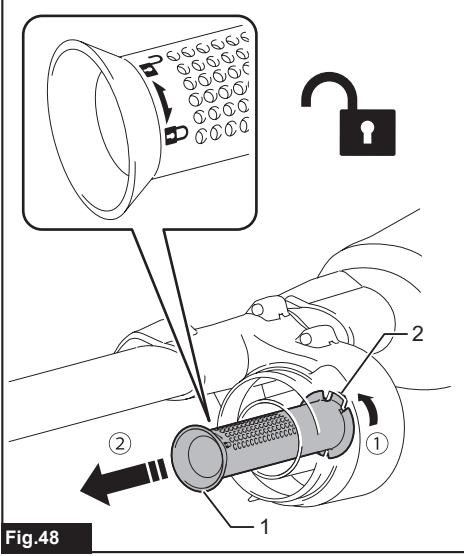
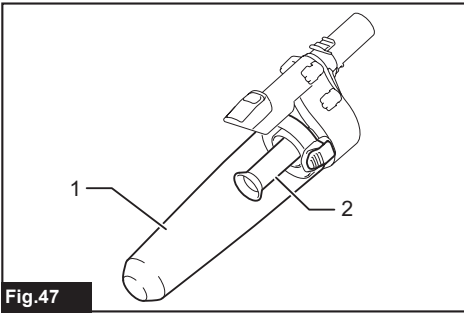


Fig.46



WARNING

- This appliance can be used by children aged from 8 years and above and persons with reduced physical, sensory or mental capabilities or lack of experience and knowledge if they have been given supervision or instruction concerning use of the appliance in a safe way and understand the hazards involved.
- Children shall not play with the appliance. Cleaning and user maintenance shall not be made by children without supervision.
- See the chapter "SPECIFICATIONS" for the type reference of the battery.
- See the section "Installing or removing battery cartridge" for how to remove or install the battery.
- When disposing the battery cartridge, remove it from the tool and dispose of it in a safe place. Follow your local regulations relating to disposal of battery.
- If the tool is not used for a long period of time, the battery must be removed from the tool.
- Do not short the battery cartridge.
- See the chapter "MAINTENANCE" for the appropriate details of precautions during user maintenance.

SPECIFICATIONS

Model:		CL002G
Capacity	with dust bag	500 mL
	with paper filter	330 mL
Continuous use (with battery BL4025)	1 (Quiet mode)	Approx. 80 min
	2 (Normal speed mode)	Approx. 40 min
	3 (High speed mode)	Approx. 25 min
	4 (Max speed mode)	Approx. 16 min
Overall length (with pipe, nozzle, and battery BL4025)		1,066 mm
Rated voltage		D.C. 36 V - 40 V max
Net weight		1.8 - 2.4 kg

- Due to our continuing program of research and development, the specifications herein are subject to change without notice.
- Specifications may differ from country to country.
- The weight does not include accessories but battery cartridge(s). The lightest and heaviest combination weight of the appliance and battery cartridge(s) are shown in the table.

Applicable battery cartridge and charger

Battery cartridge	BL4020* / BL4025* / BL4040* / BL4050F * : Recommended battery
Charger	DC40RA / DC40RB / DC40RC

- Some of the battery cartridges and chargers listed above may not be available depending on your region of residence.

⚠ WARNING: Only use the battery cartridges and chargers listed above. Use of any other battery cartridges and chargers may cause injury and/or fire.

Symbols

The followings show the symbols which may be used for the equipment. Be sure that you understand their meaning before use.



Read the instruction manual.



A representative battery applicable to this product.



Only for EU countries
Due to the presence of hazardous components in the equipment, waste electrical and electronic equipment, accumulators and batteries may have a negative impact on the environment and human health. Do not dispose of electrical and electronic appliances or batteries with household waste!

In accordance with the European Directive on waste electrical and electronic equipment and on accumulators and batteries and waste accumulators and batteries, as well as their adaptation to national law, waste electrical equipment, batteries and accumulators should be stored separately and delivered to a separate collection point for municipal waste, operating in accordance with the regulations on environmental protection.

This is indicated by the symbol of the crossed-out wheeled bin placed on the equipment.

Intended use

The tool is intended for collecting dry dust.

SAFETY WARNINGS

Cordless cleaner safety warnings

⚠ WARNING: IMPORTANT! READ CAREFULLY all safety warnings and all instructions BEFORE USE. Failure to follow the warnings and instructions may result in electric shock, fire and/or serious injury.

1. Do not expose to rain. Store indoors.
2. Do not allow to be used as a toy. Close attention is necessary when used by or near children.
3. Use only as described in this manual. Use only manufacturer's recommended attachments.
4. Do not use with damaged battery. If appliance is not working as it should, has been dropped, damaged, left outdoors, or dropped into water, return it to a service center.
5. Do not handle appliance with wet hands.
6. Do not put any object into openings. Do not use with any opening blocked; keep free of dust, lint, hair, and anything that may reduce air flow.
7. Keep hair, loose clothing, fingers, and all parts of body away from openings and moving parts.
8. Turn off all controls before removing the battery.
9. Use extra care when cleaning on stairs.
10. Do not use to pick up flammable or combustible liquids, such as gasoline, or use in areas where they may be present.
11. Use only the charger supplied by the manufacturer to recharge.
12. Do not pick up anything that is burning or smoking, such as cigarettes, matches, or hot ashes.
13. Do not use without dust bag and/or filters in place.
14. Do not charge the battery outdoors.

15. **Recharge only with the charger specified by the manufacturer.** A charger that is suitable for one type of battery pack may create a risk of fire when used with another battery pack.
16. **Use appliances only with specifically designed battery packs.** Use of any other battery packs may create a risk of injury and fire.
17. **When (the) battery pack is not in use, keep it away from other metal objects, like paper clips, coins, keys, nails, screws or other small metal objects, that can make a connection from one terminal to another.**
18. **Under abusive conditions, liquid may be ejected from the battery; avoid contact. If contact accidentally occurs, flush with water.**
19. **Do not use a battery pack or appliance that is damaged or modified.** Damaged or modified batteries may exhibit unpredictable behaviour resulting in fire, explosion or risk of injury.
20. **Do not expose a battery pack or appliance to fire or excessive temperature.** Exposure to fire or temperature above 130 °C may cause explosion.
21. **Follow all charging instructions and do not charge the battery pack or appliance outside the temperature range specified in the instructions.** Charging improperly or at temperatures outside the specified range may damage the battery and increase the risk of fire.

SAVE THESE INSTRUCTIONS.

ADDITIONAL SAFETY RULES

This appliance is intended for household use.

1. Read this instruction manual and the charger instruction manual carefully before use.
2. Do not pick up the following materials:
 - Hot materials such as lit cigarettes or spark/metal dust generated by grinding/cutting metal
 - Flammable materials such as gasoline, thinner, benzene, kerosene or paint
 - Explosive materials like nitroglycerin
 - Ignitable materials such as Aluminum, zinc, magnesium, titanium, phosphorus or celluloid
 - Wet dirt, water, oil or the like
 - Hard pieces with sharp edges, such as wood chips, metals, stones, glasses, nails, pins or razors
 - Powder to clot such as cement or toner
 - Conductive dust such as metal or carbon
 - Fine particle like concrete dust
 Such action may cause fire, injury and/or property damage.
3. Stop operation immediately if you notice anything abnormal.
4. If you drop or strike the cleaner, check it carefully for cracks or damage before operation.
5. Do not bring close to stoves or other heat sources.
6. Do not block the intake hole or vent holes.

SAVE THESE INSTRUCTIONS.

Important safety instructions for battery cartridge

1. Before using battery cartridge, read all instructions and cautionary markings on (1) battery charger, (2) battery, and (3) product using battery.
2. Do not disassemble or tamper with the battery cartridge. It may result in a fire, excessive heat, or explosion.
3. If operating time has become excessively shorter, stop operating immediately. It may result in a risk of overheating, possible burns and even an explosion.
4. If electrolyte gets into your eyes, rinse them out with clear water and seek medical attention right away. It may result in loss of your eyesight.
5. Do not short the battery cartridge:
 - (1) Do not touch the terminals with any conductive material.
 - (2) Avoid storing battery cartridge in a container with other metal objects such as nails, coins, etc.
 - (3) Do not expose battery cartridge to water or rain.

A battery short can cause a large current flow, overheating, possible burns and even a breakdown.

6. Do not store and use the tool and battery cartridge in locations where the temperature may reach or exceed 50 °C (122 °F).
7. Do not incinerate the battery cartridge even if it is severely damaged or is completely worn out. The battery cartridge can explode in a fire.
8. Do not nail, cut, crush, throw, drop the battery cartridge, or hit against a hard object to the battery cartridge. Such conduct may result in a fire, excessive heat, or explosion.
9. Do not use a damaged battery.
10. The contained lithium-ion batteries are subject to the Dangerous Goods Legislation requirements.

For commercial transports e.g. by third parties, forwarding agents, special requirement on packaging and labeling must be observed.
For preparation of the item being shipped, consulting an expert for hazardous material is required.
Please also observe possibly more detailed national regulations.
Tape or mask off open contacts and pack up the battery in such a manner that it cannot move around in the packaging.
11. When disposing the battery cartridge, remove it from the tool and dispose of it in a safe place. Follow your local regulations relating to disposal of battery.
12. Use the batteries only with the products specified by Makita. Installing the batteries to non-compliant products may result in a fire, excessive heat, explosion, or leak of electrolyte.

13. If the tool is not used for a long period of time, the battery must be removed from the tool.
14. During and after use, the battery cartridge may take on heat which can cause burns or low temperature burns. Pay attention to the handling of hot battery cartridges.
15. Do not touch the terminal of the tool immediately after use as it may get hot enough to cause burns.
16. Do not allow chips, dust, or soil stuck into the terminals, holes, and grooves of the battery cartridge. It may cause heating, catching fire, burst and malfunction of the tool or battery cartridge, resulting in burns or personal injury.
17. Unless the tool supports the use near high-voltage electrical power lines, do not use the battery cartridge near a high-voltage electrical power lines. It may result in a malfunction or breakdown of the tool or battery cartridge.
18. Keep the battery away from children.

SAVE THESE INSTRUCTIONS.

CAUTION: Only use genuine Makita batteries. Use of non-genuine Makita batteries, or batteries that have been altered, may result in the battery bursting causing fires, personal injury and damage. It will also void the Makita warranty for the Makita tool and charger.

Tips for maintaining maximum battery life

1. Charge the battery cartridge before completely discharged. Always stop tool operation and charge the battery cartridge when you notice less tool power.
2. Never recharge a fully charged battery cartridge. Overcharging shortens the battery service life.
3. Charge the battery cartridge with room temperature at 10 °C - 40 °C (50 °F - 104 °F). Let a hot battery cartridge cool down before charging it.
4. When not using the battery cartridge, remove it from the tool or the charger.
5. Charge the battery cartridge if you do not use it for a long period (more than six months).

FUNCTIONAL DESCRIPTION

CAUTION: Always be sure that the tool is switched off and the battery cartridge is removed before adjusting or checking function on the tool.

CAUTION: Take care not to trap finger(s) between cleaner and battery as shown in diagram when loading battery. Trapping finger(s) may cause injury.

► Fig.1

Installing or removing battery cartridge

CAUTION: Always switch off the tool before installing or removing of the battery cartridge.

CAUTION: Hold the tool and the battery cartridge firmly when installing or removing battery cartridge. Failure to hold the tool and the battery cartridge firmly may cause them to slip off your hands and result in damage to the tool and battery cartridge and a personal injury.

► Fig.2: 1. Red indicator 2. Button 3. Battery cartridge

To remove the battery cartridge, slide it from the tool while sliding the button on the front of the cartridge.

To install the battery cartridge, align the tongue on the battery cartridge with the groove in the housing and slip it into place. Insert it all the way until it locks in place with a little click. If you can see the red indicator as shown in the figure, it is not locked completely.

CAUTION: Always install the battery cartridge fully until the red indicator cannot be seen. If not, it may accidentally fall out of the tool, causing injury to you or someone around you.

CAUTION: Do not install the battery cartridge forcibly. If the cartridge does not slide in easily, it is not being inserted correctly.

Battery protection system

The tool is equipped with a tool/battery protection system. This system automatically cuts off power to the motor to extend tool and battery life. The tool will automatically stop during operation if the tool or battery is placed under one of the following conditions.

Overloaded:

The tool/battery is operated in a manner that causes it to draw an abnormally high current. In this situation, turn the tool off and stop the application that caused the tool to become overloaded. Then turn the tool on to restart.

If the tool does not start, the battery is overheated. In this situation, let the battery cool before turning the tool on again.

Low battery voltage:

The remaining battery capacity is too low and the tool will not operate. In this situation, remove and recharge the battery.

Protections against other causes:

Protection system is also designed for other causes that could damage the tool and allows the tool to stop automatically. Take all the following steps to clear the causes, when the tool has been brought to a temporary halt or stop in operation.

1. Turn the tool off, and then turn it on again to restart.
2. Charge the battery(ies) or replace it/them with recharged battery(ies).
3. Let the tool and battery(ies) cool down.

If no improvement can be found by restoring protection system, then contact your local Makita Service Center.

Indicating the remaining battery capacity

Press the check button on the battery cartridge to indicate the remaining battery capacity. The indicator lamps light up for a few seconds.

► Fig.3: 1. Indicator lamps 2. Check button

Indicator lamps			Remaining capacity
Lighted	Off	Blinking	
■ ■ ■ ■			75% to 100%
■ ■ ■ □			50% to 75%
■ ■ □ □			25% to 50%
■ □ □ □			0% to 25%
▣ □ □ □			Charge the battery.
■ ■ □ □			The battery may have malfunctioned.
□ □ ■ ■			

NOTE: Depending on the conditions of use and the ambient temperature, the indication may differ slightly from the actual capacity.

NOTE: The first (far left) indicator lamp will blink when the battery protection system works.

Switch action

► Fig.4: 1. Suction power change button 2. ON/OFF button

To start the cleaner, simply push the ON/OFF button. To switch off, push the ON/OFF button again.

You can change the suction power of the cleaner in four steps by pushing the suction power change button. Each push on this button repeats the Quiet/Normal/High/Max mode in a cycle.

Level	Indication	Mode
1	☰	Quiet mode
2	☷	Normal speed mode
3	☶	High speed mode
4	☵	Max speed mode

NOTE: You can change the suction power before turning on the cleaner.

NOTE: The cleaner starts the operation with the same suction power as the last operation.

Lighting up the lamp

CAUTION: Do not look in the light or see the source of light directly.

To turn on the lamp, push the suction power change button. The lamp goes off in approximately 10 seconds. While the cleaner is running, the lamp turns on. The lamp goes out approximately 10 seconds after stopping operation.

NOTE: When the remaining battery capacity gets low, the lamp starts blinking. The timing, at which the lamp starts blinking depends on the temperature at work place and the battery cartridge conditions.

► **Fig.5:** 1. Suction power change button 2. ON/OFF button 3. Lamp

ASSEMBLY

CAUTION: Always be sure that the tool is switched off and the battery cartridge is removed before carrying out any work on the tool.

Dust bag and paper filter

Install either dust bag or paper filter before using cleaner. Use the dust stopper when installing either dust bag or paper filter. Dust bag are usable many times repeatedly by cleaning it out. Paper filter is a throw-away type. Throw away the entire paper filter without emptying when it has become full.

NOTICE: To prevent dust from getting into the motor:

- Make sure that the dust bag or paper filter is installed before use.
- Insert the dust stopper together with the dust bag or paper filter all the way into the slots when installing them.
- Do not use a broken or ripped bag.

Otherwise the motor may be broken.

NOTICE: Do not fold the cardboard at its opening when installing the paper filter.

NOTICE: Never throw away the dust stopper because it needs to be used repeatedly whenever either the dust bag or the paper filter is used.

NOTICE: The paper filter for the cleaner is an important component for maintaining the tool performance. Using other than the genuine paper filter may cause smokes or ignition.

NOTE: When the dust bag or the paper filter is not installed in the cleaner, the front cover does not close completely.

► **Fig.6**

Installing dust bag

Use the dust stopper when installing dust bag. Be careful not to take the upper side for the lower side by mistake because they are different each other.

► **Fig.7:** 1. Upper side of dust stopper 2. Lower side of dust stopper

1. Insert the protrusion of the dust bag into the lower groove on the dust stopper as shown in the figure.

► **Fig.8:** 1. Dust stopper 2. Lower groove 3. Dust bag

There is no distinction between the upper and lower sides of the dust bag. You may insert its protrusion of either side into the lower groove of the dust stopper.

► **Fig.9:** 1. Lower groove

2. Overlap the frame of dust stopper with that of the dust bag.
► **Fig.10**

3. Place the dust stopper and the dust bag together into the cleaner cavity in the same direction of arrow on the dust stopper. Insert them all the way into the slots in the cleaner cavity.
► **Fig.11**

4. Spread the cloth part of the dust bag inside the cleaner.
► **Fig.12**

5. Close the front cover completely.
► **Fig.13:** 1. Front cover

Installing the paper filter

Use the dust stopper also when installing paper filter. Be careful not to take the upper side for the lower side by mistake because they are different each other.

► **Fig.14:** 1. Upper side of dust stopper 2. Lower side of dust stopper

1. Unfold the entrance of the paper filter before setting it on the dust stopper.

► **Fig.15**

2. Insert the protrusion of the paper filter into the lower groove on the dust stopper as shown in the figure.

► **Fig.16:** 1. Dust stopper 2. Lower groove 3. Paper filter

There is no distinction between the upper and lower sides of the paper filter. You may insert its protrusion of any side into the lower groove of the dust stopper.

► **Fig.17:** 1. Lower groove

3. Overlap the frame of dust stopper with that of the paper filter.
► **Fig.18**

4. Place the dust stopper and the paper filter together into the cleaner cavity in the same direction of arrow on the dust stopper. Insert them all the way into the slots in the cleaner cavity.
► **Fig.19**

5. Spread the container part of the paper filter inside the cleaner.
► **Fig.20**

6. Close the front cover completely.
► **Fig.21:** 1. Front cover

OPERATION

⚠ CAUTION: Do not move your face close to the air vent when operating the cleaner. If foreign objects are blown into eyes, it may result in personal injury.

Installing and removing cleaner attachments

⚠ CAUTION: After installing attachments, check if they are securely installed. If the attachments are installed imperfectly, they may come off and cause personal injury.

⚠ CAUTION: Be careful not to hit your hand on the wall etc. when removing the attachments.

When using attachment with lock function

To install attachment, insert it to the suction inlet of the cleaner until it clicks. Make sure that the attachment is locked.

► **Fig.22:** 1. Suction inlet 2. Attachment with lock function 3. Hook

NOTICE: When installing the attachment with lock function, be sure to align the release button on the cleaner with the hook on the attachment. If they are not aligned, the attachment will not be locked and may come off from the cleaner.

To remove, pull the attachment while pushing the release button.

► **Fig.23:** 1. Release button 2. Attachment with lock function

When using attachment without lock function

NOTICE: To connect attachment without lock function, twist and insert it securely into the suction inlet of the cleaner. To disconnect the attachment, pull it away while twisting.

► **Fig.24**

Cleaning (Suction)

Nozzle

Attach the nozzle to clean off tables, desks, furniture, etc. The nozzle slips on easily.

► **Fig.25:** 1. Nozzle

Nozzle + Extension wand (Straight pipe)

The extension wand fits in between the nozzle and the cleaner itself. This arrangement is convenient for cleaning a floor in a standing position.

► **Fig.26:** 1. Cleaner body 2. Extension wand 3. Nozzle

Corner nozzle

Fit on the corner nozzle for cleaning corners and crevices of a car or furniture.

► **Fig.27:** 1. Corner nozzle 2. Cleaner body

You can store the corner nozzle in the nozzle holder.

► **Fig.28:** 1. Nozzle holder 2. Corner nozzle

⚠ CAUTION: Be careful not to trap finger(s) between the corner nozzle and the nozzle holder. Trapping finger(s) may cause injury.

Corner nozzle + Extension wand (Straight pipe)

In tight quarters where the cleaner itself cannot squeeze in, or in high places hard to reach, use this arrangement.

► **Fig.29:** 1. Corner nozzle 2. Extension wand 3. Cleaner body

Cleaning without nozzle

You can pick up powder and dust without nozzle.

► **Fig.30**

For picking up dust on a floor in a standing position, it is convenient to attach the extension wand (straight pipe) to the cleaner.

► **Fig.31:** 1. Extension wand (Straight pipe)

Disposing of dust

⚠ CAUTION: Empty the cleaner before it becomes too full, or the suction force weakens.

⚠ CAUTION: When closing the front cover, be careful not to pinch your fingers.

NOTICE: Never throw away the dust stopper because it should be used whenever either the dust bag or the paper filter is used.

NOTICE: When the dust bag/paper filter is not inside of the cleaner, the front cover does not close completely. Do not force to close the front cover. It may result in deforming or breakage of the tool.

NOTICE: When disposing of dust, also clean the room for the dust bag/paper filter. The remaining dust and dirt in the room may cause the sponge filter to be clogged or the motor to be damaged.

1. Push the button to open the front cover. Opening it until a click is heard allows a positive stop at that position.

► **Fig.32:** 1. Front cover 2. Button

2. Pull out both the orange-colored dust stopper and dust bag/paper filter together at the same time.

► **Fig.33:** 1. Dust stopper

3. Perform the procedures below depending on the dust container type:

When using the dust bag

Remove the dust stopper and empty the dust bag.
▶ **Fig.34:** 1. Dust stopper 2. Dust bag

When using the paper filter

Remove the dust stopper and dispose of the paper filter.
▶ **Fig.35:** 1. Dust stopper 2. Paper filter

4. Place the dust bag/new paper filter and dust stopper together into the cleaner and close the front cover.

NOTE: The cleaner is constructed in such a way that the front cover comes off when trying to force the front cover open at the angle of more than 90°. If the front cover comes off, insert it into the front cover joint in place.

▶ **Fig.36:** 1. Front cover 2. Front cover joint

MAINTENANCE

CAUTION: Always be sure that the tool is switched off and the battery cartridge is removed before attempting to perform inspection or maintenance.

To maintain product SAFETY and RELIABILITY, repairs, any other maintenance or adjustment should be performed by Makita Authorized or Factory Service Centers, always using Makita replacement parts.

After use

CAUTION: Putting the cleaner against the wall without any other support may cause the cleaner to fall down, resulting in personal injury or damage to the cleaner.

▶ **Fig.37**

Cleaning

CAUTION: Clean dust bags and filters when they become clogged. Continued use in the clogged condition may result in heating or fire.

NOTICE: Never use gasoline, benzine, thinner, alcohol or the like. Discoloration, deformation or cracks may result.

NOTICE: Do not blow dust sticking on the cleaner and filters by air duster. It brings dust into the housing and causes failure.

NOTICE: After washing dust bags and sponge filters, dry them thoroughly before use. Insufficiently dried filters may cause poor suction and shorten the service life of the motor.

NOTICE: After cleaning dust bags and sponge filters, be sure to re-install them before use. If you use the cleaner without dust bags and sponge filters, dust comes into the motor housing and cause malfunction.

Cleaner body

From time to time wipe off the outside (cleaner body) of the cleaner using a cloth dampened in soapy water. Clean out also the suction opening, dust bag/paper filter mounting area and the dust stopper.

▶ **Fig.38**

Dust bag

Wash the dust bag in soapy water when it is clogged with dust and the cleaner power becomes weak. Dry it out thoroughly before use. An insufficiently dried filter may cause poor suction and shorten the service life of the motor.

▶ **Fig.39**

NOTE: Paper filter is a throw-away type.

Dust stopper

Wipe dust off from the dust stopper. Remove dust and dirt on the sponge part by lightly tapping it.

▶ **Fig.40:** 1. Sponge part

Removing and installing the sponge filter

CAUTION: After cleaning sponge filter, be sure to install it on the cleaner. If washed in water, dry it up before installing. An insufficiently dried sponge filter may shorten the service life of the motor.

When the sponge filter is clogged with dust, remove it from the cleaner and then wipe it off or wash in water.

To remove the sponge filter, remove the dust bag or paper filter and then pinch and take the sponge filter out.

▶ **Fig.41:** 1. Sponge filter

Press in the whole edge of the sponge filter against the recessed wall inside the dust bag/paper filter mounting area.

▶ **Fig.42:** 1. Recessed wall

Wall mount for cordless cleaner

Optional accessory

NOTE: The screw to mount the holder is not included. Prepare a screw which fits with the material to screw into.

Attach the wall mount for cordless cleaner to a hard wooden wall, beam or column, where the wall mount for cordless cleaner can be firmly secured. Always be sure that the wall mount for cordless cleaner is securely attached before hanging the cleaner.

▶ **Fig.43:** 1. Wall mount for cordless cleaner

CAUTION: Do not hang the cleaner to the wall mount violently or hang other appliances than the cleaner.

Troubleshooting

Before asking for repairs, check the following points.

Symptom	Area to be investigated	Fixing method
Weak suction power	Is dust bag or paper filter full of dust?	Empty dust bag or paper filter.
	Is dust bag or sponge filter clogged?	Dust down or wash dust bag and sponge filter.
	Is paper filter clogged?	Replace paper filter.
	Is battery cartridge discharged?	Charge battery cartridge.
Not working	Is battery cartridge discharged?	Charge battery cartridge.
Abnormal noise and vibration come out	Is dust bag or sponge filter clogged?	Dust down or wash dust bag and sponge filter.
	Is paper filter clogged?	Replace paper filter.
	Anything to block openings or holes?	Clean any dust and objects out of nozzles, pipes and air openings.
	Is suction inlet of nozzle or pipe closed?	Uncover and open suction inlet of nozzle and pipe.
Dust case cover does not close	Is dust bag or paper filter set?	Set dust bag or paper filter.

⚠ CAUTION: Do not attempt to repair the cleaner by yourself.

OPTIONAL ACCESSORIES

⚠ CAUTION: These accessories or attachments are recommended for use with your Makita tool specified in this manual. The use of any other accessories or attachments might present a risk of injury to persons. Only use accessory or attachment for its stated purpose.

If you need any assistance for more details regarding these accessories, ask your local Makita Service Center.

- Extension wand (Straight pipe)
- Nozzle
- Nozzle for carpet
- Shelf brush
- Corner nozzle
- Round brush
- Flexible hose
- Dust bag
- Paper filter
- Free nozzle
- Seat nozzle
- Crevice nozzle
- Wall mount for cordless cleaner
- Cyclone attachment
- Tool bag
- Makita genuine battery and charger

NOTE: Some items in the list may be included in the tool package as standard accessories. They may differ from country to country.

Cyclone attachment

- **Fig.44:** 1. Release button 2. Hook 3. Extension wand (Straight pipe) 4. Cyclone attachment 5. Suction inlet

About the cyclone attachment

Using the cleaner with the cyclone attachment installed reduces the amount of dust that enters the dust bag, which helps to prevent the suction force from weakening. In addition, cleaning after use is also simple.

⚠ CAUTION: Always be sure that the tool is switched off and the battery cartridge is removed before carrying out any work on the tool. If the battery cartridge is left inserted, the cleaner may start unexpectedly and result in injury.

⚠ CAUTION: Clean the mesh filter of the cyclone attachment and the dust bag of the cleaner unit when they become clogged. Continued use in the clogged condition may result in heating or smoke.

NOTICE: When the cyclone attachment is attached, do not use the cleaner in the horizontal or upward facing condition. Doing so may cause the mesh filter to become clogged.

NOTICE: Always use the cleaner with the dust bag installed, even when using the cyclone attachment. Using the cleaner without the dust bag installed may result in a motor malfunction.

NOTE: Check that the cyclone attachment, cleaner, and extension wand (straight pipe) are locked properly before use.

NOTE: Empty the dust case of the cyclone attachment and the dust bag of the cleaner when dust has accumulated. Continued use will result in weakened suction force.

NOTE: You can also use the cyclone attachment without lock function.

NOTE: To install or remove the cyclone attachment, refer to the section "Installing and removing cleaner attachments".

2. Remove the dust on the mesh filter and then wash it with water. After that, dry it thoroughly.

3. Insert the mesh filter into the base while the hooks are aligned with the port. Turn the mesh filter clockwise until the hooks are locked with a click. Make sure that the mesh filter is installed securely.

► **Fig.49:** 1. Mesh filter 2. Hook 3. Port

Disposing of dust

When dust has accumulated up to the full line of the dust case, follow the procedure below and dispose of the dust.

1. Hold the dust case firmly, press and hold the two buttons, and remove the dust case.

► **Fig.45:** 1. Full line 2. Dust case 3. Button (two locations) 4. Mesh filter

2. Dispose of the dust inside the dust case and remove any dust and powder adhered to the surface of the mesh filter.

3. Insert the dust case all the way until the two buttons lock with a click.

► **Fig.46:** 1. Dust case 2. Button (two locations)

CAUTION: When reassembling the dust case, be careful not to pinch your fingers.

NOTE: Check that the cyclone attachment, cleaner, and extension wand (straight pipe) are locked properly before restarting operation.

NOTE: If the suction force does not recover even after disposing of the dust and cleaning the mesh filter, check whether dust has accumulated in the dust bag of the cleaner or clogging has occurred.

NOTE: The dust may fly up when disposing from the cyclone attachment. Be careful not to let dust get into your eyes.

Cleaning

CAUTION: After washing the cyclone attachment, dry it thoroughly before use. Insufficiently dried components may cause an electrical shock or damage to the appliance.

When the dust case becomes dirty or the mesh filter is clogged, remove and wash them with water. (Refer to "Disposing of dust" for the removal procedure.)

Dry the parts thoroughly before reinstallation and use.

► **Fig.47:** 1. Dust case 2. Mesh filter

When the mesh filter gets dirty badly, clean it in the following procedures.

1. Turn the mesh filter counterclockwise and remove it while the hooks are unlocked.

► **Fig.48:** 1. Mesh filter 2. Hook

VARNING

- Denna apparat kan användas av barn från 8 års ålder och äldre samt personer med nedsatt fysisk, sensorisk eller mental kapacitet eller brist på erfarenhet och kunskap förutsatt att de har fått handledning eller instruktioner om hur apparaten används på rätt sätt och förstår riskerna som det medför.
- Barn ska inte leka med apparaten. Rengöring och användarunderhåll ska inte utföras av barn utan tillsyn.
- Se batteriets typpreferens i kapitlet "SPECIFIKATIONER".
- Se i avsnittet "Montera eller demontera batterikassetten" hur du tar bort eller installerar batteriet.
- När batterikassetten ska kasseras måste den tas bort från verktyget och kasseras på ett säkert sätt. Följ lokala föreskrifter beträffande avfallshantering av batteriet.
- Om verktyget inte används under en lång tid måste batteriet tas bort från verktyget.
- Kortslut inte batterikassetten.
- Se uppgifter om lämpliga försiktighetsåtgärder vid användarunderhåll i kapitlet "UNDERHÅLL".

SPECIFIKATIONER

Modell:		CL002G
Kapacitet	med dammpåse	500 mL
	med pappersfilter	330 mL
Kontinuerlig användning (med batteri BL4025)	1 (tyst läge)	ca 80 min
	2 (normalt hastighetsläge)	ca 40 min
	3 (höghastighetsläge)	ca 25 min
	4 (maxhastighetsläge)	ca 16 min
Total längd (med rör, munstycke och batteri BL4025)		1 066 mm
Märkspänning		36 V - 40 V likström max
Nettovikt		1,8 - 2,4 kg

- På grund av vårt pågående program för forskning och utveckling kan dessa specifikationer ändras utan föregående meddelande.
- Specifikationer kan variera mellan olika länder.
- Vikten inkluderar inte tillbehör men batterikasset(er). Den lättaste och tyngsta viktcombinationen för maskin och batterikasset(er) visas i tabellen.

Tillgänglig batterikassett och laddare

Batterikassett	BL4020* / BL4025* / BL4040* / BL4050F * : Rekommenderat batteri
Laddare	DC40RA / DC40RB / DC40RC

- Vissa av batterikassetterna och laddarna på listan ovan kanske inte finns tillgängliga i din region.

⚠ VARNING: Använd endast batterikassetter och laddare från listan ovan. Användning av andra batterikassetter och laddare kan orsaka personskada och/eller brand.

Symboler

Följande visar symbolerna som kan användas för utrustningen. Se till att du förstår innebörden innan användning.



Läs igenom bruksanvisningen.



Ett representativt batteri som kan användas med den här produkten.



Gäller endast inom EU
P.g.a. förekomsten av farliga komponenter i utrustningen kan avfall innehållande elektrisk och elektronisk utrustning, ackumulatörer och batterier ha negativ inverkan på miljön och människors hälsa. Kassera inte elektriska och elektroniska apparater eller batterier ihop med hushållsavfall!
I enlighet med EU-direktiven om avfall som utgörs av eller innehåller elektrisk och elektronisk utrustning och om batterier och ackumulatörer och förbrukade batterier och ackumulatörer, och dess införlivande i nationell lagstiftning, bör förbrukat elektrisk och elektronisk utrustning, batterier och ackumulatörer förvaras separat och transporteras till en särskild uppsamlingsplats för kommunalt avfall, som drivs i enlighet med regelverket för miljöskydd. Detta anges av symbolen med den överkryssade soptunnan på hjul som sitter på utrustningen.

Avsedd användning

Det här redskapet är avsett för insamling av torrt damm.

SÄKERHETSVARNINGAR

Säkerhetsvarningar för sladdlös dammsugare

⚠ VARNING: VIKTIGT! LÄS NOGGRANT igenom alla säkerhetsvarningar och anvisningar FÖRE ANVÄNDNING. Underlåtenhet att följa varningar och instruktioner kan leda till elstötar, brand och/eller allvarliga personskador.

1. Utsätt inte för regn. Förvara maskinen inomhus.
2. Tillåt inte att den används som en leksak. Stor uppmärksamhet är nödvändigt när den används i barns närhet.
3. Använd den endast enligt beskrivningen i bruksanvisningen. Använd endast tillverkarens rekommenderade tillsatser.
4. Använd inte maskinen med ett skadat batteri. Om maskinen inte arbetar som den ska, har tappats i marken, skadats, lämnats utomhus eller hamnat i vatten ska den skickas till servicecentret.
5. Var inte blöt om händerna när du handskar med maskinen.
6. Placera inte något föremål i öppningarna. Använd inte dammsugaren om någon av öppningarna är blockerade och håll den ren från damm, trådar, hår samt allt som kan minska luftflödet.
7. Håll hår, löst sittande kläder, fingrar och alla kroppsdelar bort från öppningar och rörliga delar.
8. Stäng av alla kontroller innan batteriet tas bort.
9. Var extra försiktig vid rengöring av trappor.
10. Använd inte maskinen för att plocka upp brännbara eller lättantändliga vätskor, såsom bensin, eller använd inte maskinen på platser där sådana vätskor förvaras.

11. Använd endast den laddare som tillverkaren har skickat med för att ladda batteriet.
12. Plocka inte upp något som brinner eller glöder, såsom cigaretter, tändstickor eller glödande aska.
13. Använd inte utan damppåse och/eller filtren monterade på plats.
14. Ladda inte batteriet utomhus.
15. Ladda endast med den batteriladdare som angetts av tillverkaren. En laddare som passar en viss typ av batterier kan skapa risk för brand när den används tillsammans med annat batteri.
16. Använd endast apparater med specifikt angivna batteripaket. Om andra batterier används kan risken för personskada och brand öka.
17. När batteriet inte används bör det hållas borta från andra metallföremål så som gem, mynt, nycklar, spik, skruv eller andra små metallföremål som kan skapa en anslutning mellan batteripolerna.
18. Under hårda förhållanden kan det komma vätska ur batteriet. Undvik kontakt. Spola med vatten om kontakt ändå råkar uppstå.
19. Använd inte ett batteripaket eller en apparat som har skadats eller ändrats. Skadade eller ändrade batterier kan uppföra sig opålitligt, vilket kan leda till brand, explosion eller skaderisk.
20. Utsätt inte ett batteripaket eller en apparat för brand eller höga temperaturer. Exponering för eld eller temperaturer över 130 °C kan leda till explosion.
21. Följ alla laddningsinstruktioner och ladda inte batteripaketet eller apparaten utanför det temperaturintervall som anges i instruktionerna. Felaktig laddning, eller vid temperaturer utanför det angivna intervallet, kan skada batteriet och öka risken för brand.

SPARA DESSA ANVISNINGAR.

YTTERLIGARE SÄKERHETSANVISNINGAR

Denna maskin är avsedd för att användas i hushåll.

1. Läs denna bruksanvisning och laddarens bruksanvisning noggrant innan du använder dammsugaren.
2. Plocka inte upp följande material:
 - Varmt material som tända cigaretter eller gnist-/metalldamm som skapas när man slipar/sågar i metall
 - Lättantändliga material som bensin, thinner, fotogen eller färg
 - Explosivt material som nitroglycerin
 - Antändbart material såsom aluminium, zink, magnesium, titan, fosfor eller celluloid
 - Blöt smuts, vatten, olja eller liknande
 - Hårda bitar med vassa kanter som träflisor, metaller, stenar, glas, spikar, stift eller rakblad
 - Pulver som klumpar ihop sig såsom cement eller toner

- Ledande damm som metall eller kol
 - Fina korn som betongdamm
- Att göra detta kan orsaka brand, skada och/eller skada på egendom.

3. Stanna maskinen omedelbart om du lägger märke till något onormalt.
4. Om du tappat eller stött till dammsugaren, kontrollera att den inte har skadats innan du använder den.
5. Använd inte dammsugaren nära kaminer eller andra värmekällor.
6. Blockera inte intagshålet eller ventilationshålen.

SPARA DESSA ANVISNINGAR.

Viktiga säkerhetsanvisningar för batterikassetten

1. Innan batterikassetten används ska alla instruktioner och varningsmärken på (1) batteriladdaren, (2) batteriet och (3) produkten läsas.
2. Montera inte isär eller mixtra med batterikassetten. Det kan leda till brand, överdriven värme eller explosion.
3. Om drifttiden blivit avsevärt kortare ska användningen avbrytas omedelbart. Det kan uppstå överhettning, brännskador och t o m en explosion.
4. Om du får elektrolyt i ögonen ska de sköljas med rent vatten och läkare uppsöks omedelbart. Det finns risk för att synen förloras.
5. Kortslut inte batterikassetten.
 - (1) Rör inte vid polerna med något strömförande material.
 - (2) Undvik att förvara batterikassetten tillsammans med andra metallobjekt som t.ex. spikar, mynt o.s.v.
 - (3) Skydda batteriet mot vatten och regn. En batterikortslutning kan orsaka ett stort strömflöde, överhettning, brand och maskinhaveri.
6. Förvara och använd inte verktyget och batterikassetten på platser där temperaturen kan nå eller överstiga 50 °C.
7. Bränn inte upp batterikassetten även om den är svårt skadad eller helt utsliten. Batterikassetten kan explodera i öppen eld.
8. Spika inte i, krossa, kasta, tappa eller slå batterikassetten mot hårda föremål. Dyliga händelser kan leda till brand, överdriven värme eller explosion.
9. Använd inte ett skadat batteri.
10. De medföljande litiumjonbatterierna är föremål för kraven i gällande lagstiftning för farligt gods. För kommersiella transporter (av t.ex. tredje parter som speditiönsfirmor) måste de särskilda transportkrav som anges på emballaget och etiketter iakttas. För att förbereda den produkt som ska avsändas krävs att du konsulterar en expert på riskmaterial. Var också uppmärksam på att det i ditt land kan finnas ytterligare föreskrifter att följa. Tejpa över eller maskera blottade kontakter och packa batteriet på sådant sätt att det inte kan röra sig fritt i förpackningen.

11. När batterikassetten ska kasseras måste den tas bort från maskinen och kasseras på ett säkert sätt. Följ lokala föreskrifter beträffande avfallshandtering av batteriet.
12. Använd endast batterierna med de produkter som specificerats av Makita. Att använda batterierna med ej godkända produkter kan leda till brand, överdriven värme, explosion eller utläckande elektrolyt.
13. Om maskinen inte används under en lång tid måste batteriet tas bort från maskinen.
14. Under och efter användning kan batterikassetten bli het vilket kan orsaka brännskador eller lättare brännskador. Var uppmärksam på hur du hanterar varma batterikassetter.
15. Vidrör inte verktygets kontakter direkt efter användning eftersom de kan bli heta och orsaka brännskador.
16. Låt inte flisor, damm eller smuts fastna i kontaktarna, i hål eller spår i batterikassetten. Det kan leda till att verktyget eller batterikassetten värms upp, fattar eld, går sönder eller inte fungerar som de ska, vilket kan orsaka brännskador eller personskador.
17. Såvida inte verktyget stöder arbeten i närheten av högspänningsledning för batterikassetten inte användas i närheten av en högspänningsledning. Det kan leda till att verktyget eller batterikassetten går sönder eller inte fungerar korrekt.
18. Förvara batteriet utom räckhåll för barn.

SPARA DESSA ANVISNINGAR.

⚠ FÖRSIKTIGT: Använda endast äkta Makita-batterier. Användning av oäkta Makita-batterier eller batterier som har manipulerats kan leda till person- och utrustningsskador eller till att batteriet fattar eld. Det upphäver också Makitas garanti för verktyget och laddaren.

Tips för att uppnå batteriets maximala livslängd

1. Ladda batterikassetten innan den är helt urladdad. Stanna alltid maskinen och ladda batterikassetten när du märker att maskinen blir svagare.
2. Ladda aldrig en fulladdad batterikasset. Överladdning förkortar batteriets livslängd.
3. Ladda batterikassetten vid en rumstemperatur på 10 °C - 40 °C. Låt en varm batterikasset svalna innan den laddas.
4. När batterikassetten inte används ska den tas bort från verktyget eller laddaren.
5. Ladda batterikassetten om du inte har använt den på länge (mer än sex månader).

FUNKTIONSBESKRIVNING

⚠ FÖRSIKTIGT: Se alltid till att maskinen är avstängd och batterikassetten borttagen innan du justerar maskinen eller kontrollerar dess funktioner.

⚠ FÖRSIKTIGT: Var försiktig så att du inte fastnar med fingret/fingrarna mellan dammsugaren och batteriet, såsom visas på bilden, när batteriet ska laddas. Det kan orsaka skada.

► Fig.1

Montera eller demontera batterikassetten

⚠ FÖRSIKTIGT: Stäng alltid av maskinen innan du monterar eller tar bort batterikassetten.

⚠ FÖRSIKTIGT: Håll stadigt i maskinen och batterikassetten när du monterar eller tar bort batterikassetten. I annat fall kan det leda till att de glider ur dina händer och orsakar skada på maskinen och batterikassetten samt personskada.

► Fig.2: 1. Röd indikator 2. Knapp 3. Batterikassett

Ta bort batterikassetten genom att skjuta ner knappen på kassetterns framsida samtidigt som du drar ut batterikassetten.

Sätt i batterikassetten genom att rikta in tungan på batterikassetten mot spåret i höljet och skjut den på plats. Tryck in batterikassetten ordentligt tills den låser fast med ett klick. Om du kan se den röda indikatorn som bilden visar är den inte låst ordentligt.

⚠ FÖRSIKTIGT: Sätt alltid i batterikassetten helt tills den röda indikatorn inte längre syns. I annat fall kan den oövat fall ur verktyget och skada dig eller någon annan.

⚠ FÖRSIKTIGT: Montera inte batterikassetten med våld. Om kassetten inte lätt glider på plats är den felinställt.

Skyddssystem för batteri

Maskinen är utrustad med ett skyddssystem för maskinen-/batteriet. Detta system bryter automatiskt strömmen till motorn för att förlänga maskinens och batteriets livslängd. Maskinen stoppar automatiskt under användningen om maskinen eller batteriet hamnar i en av följande situationer.

Överbelastning:

Verktyget/batteriet används på ett sätt som gör att det förbrukar onormalt mycket ström.

När detta sker stänger du av maskinen och upphör med arbetet som gjorde att maskinen överbelastades. Starta därefter upp maskinen igen.

Om maskinen inte startar är batteriet överhettat. Låt då batteriet svalna innan du startar maskinen igen.

Batterispänningen faller:

Den kvarvarande batterikapaciteten är för låg och maskinen fungerar inte. I detta läge tar du bort batteriet och laddar det.

Skydd mot andra felorsaker:

Skyddssystemet är också utformat för att hantera andra orsaker som skulle kunna skada verktyget, och gör att verktyget kan stanna automatiskt. Om verktyget stannat tillfälligt eller helt slutat fungera utför du följande steg för att åtgärda problemen.

1. Stäng av verktyget och slå sedan på det igen för att starta om det.
2. Ladda upp batteriet/batterierna eller byt ut det/dem mot uppladdade batterier.
3. Låt verktyget och batteriet/batterierna svalna.

Om återställning av skyddssystemet inte leder till någon förbättring kontaktar du ditt lokala Makita Service Center.

Indikerar kvarvarande batterikapacitet

Tryck på kontrollknappen på batterikassetten för att se kvarvarande batterikapacitet. Indikatorlamporna lyser i ett par sekunder.

► Fig.3: 1. Indikatorlampor 2. Kontrollknapp

Indikatorlampor			Kvarvarande kapacitet
Upplyst	Av	Bliktar	
■ ■ ■ ■			75% till 100%
■ ■ ■ □			50% till 75%
■ ■ □ □			25% till 50%
■ □ □ □			0% till 25%
▣ □ □ □			Ladda batteriet.
■ ■ □ □			Batteriet kan ha skadats.
□ □ ■ ■			

OBS: Beroende på användningsförhållanden och den omgivande temperaturen kan indikationen skilja sig lätt från den faktiska batterikapaciteten.

OBS: Den första (längst till vänster) indikatorlampan kommer att blinka när batteriskyddssystemet fungerar.

Avtryckarens funktion

► Fig.4: 1. Ändringsknapp för sugkraft 2. ON/OFF (på/av)-knapp

Tryck bara på knappen ON/OFF (på/av) för att starta dammsugaren. Stäng av genom att trycka på knappen ON/OFF (på/av) igen. Du kan ändra dammsugarens sugkraft i fyra steg genom att trycka på ändringsknappen för sugkraft. Varje tryckning på den knappen ändrar till lägena tyst/normalt/högt/max i en cykel.

Nivå	Indikation	Läge
1	☰	Tyst läge
2	☷	Normalt hastighetsläge
3	☶	Höghastighetsläge
4	☵	Maxhastighetsläge

OBS: Du kan ändra sugkraften innan du sätter på dammsugaren.

OBS: Dammsugaren börjar arbeta med samma sugkraft som vid den senaste körningen.

Tända lampan

⚠ FÖRSIKTIGT: Titta inte in i ljuset eller direkt i ljuskällan.

Tryck på ändringsknappen för sugkraft för att tända lampan. Lampan slöcknar på ca 10 sekunder. Medan dammsugaren är igång är lampan tänd. Lampan slöcknar ca 10 sekunder efter att körningen stoppats.

OBS: När den kvarvarande batterikapaciteten blir låg blinkar lampan. När lampan börjar blinka beror på temperaturen vid arbetsplatsen och på batterikassetten skick.

► **Fig.5:** 1. Ändringsknapp för sugkraft 2. ON/OFF (på/av)-knapp 3. Lampa

MONTERING

⚠ FÖRSIKTIGT: Se alltid till att maskinen är avstängd och batterikassetten borttagen innan du underhåller maskinen.

Damppåse och pappersfilter

Sätt dit en damppåse eller en pappersfilter innan du använder dammsugaren. Använd dammstoppett när du sätter dit dammsugarpåsen eller pappersfilter. En damppåse kan användas flera gånger efter upprepade tömningar. Pappersfiltret är av engångstyp. När filtret är fullt slänger du hela filtret inklusive damm.

OBSERVERA: För att förhindra damm från att komma in i motorn:

- Se till att damppåsen eller pappersfiltret är isatt innan du använder den.
- Sätt i dammstoppett tillsammans med damppåsen eller pappersfiltret hela vägen in i öppningen vid montering.
- Använd inte en skadad eller trasig påse.

I annat fall kan motorn skadas.

OBSERVERA: Vik inte hårdpappskivan vid dess öppning när du sätter dit pappersfiltret.

OBSERVERA: Kasta aldrig bort dammstoppett eftersom det ska användas upprepade gånger när damppåsen eller pappersfiltret används.

OBSERVERA: Dammsugarens pappersfilter är en viktig komponent för att bevara maskinprestandan. Att använda andra pappersfilter än original kan orsaka rök eller antändning.

OBS: Om damppåsen eller pappersfiltret inte är monterade i dammsugaren går det inte att stänga det främre höljet ordentligt.

► **Fig.6**

Montering av damppåse

Använd dammstoppett när du sätter dit dammsugarpåsen. Se till att inte förväxla ovan- och undersidan av misstag, eftersom de är olika.

► **Fig.7:** 1. Dammstoppets ovasida
2. Dammstoppets undersida

1. Sätt i den utskjutande delen på damppåsen i dammstoppets undre spår. Se bilden.

► **Fig.8:** 1. Dammstopp 2. Undre spår 3. Damppåse

Det är ingen skillnad på damppåsens ovan- och undersidor. Du kan sätta i dess utskjutande del på endera sidan i dammstoppets undre spår.

► **Fig.9:** 1. Undre spår

2. Se till att dammstoppets ram överlappar damppåsens ram.

► **Fig.10**

3. Sätt dammstoppett och damppåsen tillsammans i dammsugarfacket i den riktning som pilen på dammstoppett visar. Skjut dem hela vägen in i uttagen i dammsugarfacket.

► **Fig.11**

4. Bred ut tygdelarna på damppåsen inuti dammsugaren.

► **Fig.12**

5. Stäng det främre skyddet ordentligt.

► **Fig.13:** 1. Främre skydd

Montering av pappersfiltret

Använd dammstoppett även när du sätter dit pappersfiltret. Se till att inte förväxla ovan- och undersidan av misstag, eftersom de är olika.

► **Fig.14:** 1. Dammstoppets ovasida
2. Dammstoppets undersida

1. Veckla ut öppningen på pappersfiltret innan du sätter det på dammstoppett.

► **Fig.15**

2. Sätt i den utskjutande delen på pappersfiltret i dammstoppets undre spår. Se bilden.

► **Fig.16:** 1. Dammstopp 2. Undre spår
3. Pappersfilter

Det är ingen skillnad på pappersfiltrets ovan- och undersidor. Du kan sätta i dess utskjutande del på endera sidan i dammstoppets undre spår.

► **Fig.17:** 1. Undre spår

3. Se till att dammstoppets ram överlappar pappersfiltrets ram.

► **Fig.18**

4. Sätt dammstoppett och pappersfiltret tillsammans i dammsugarfacket i den riktning som pilen på dammstoppett visar. Skjut dem hela vägen in i uttagen i dammsugarfacket.

► **Fig.19**

5. Bred ut behållardelarna på pappersfiltret inuti dammsugaren.

► **Fig.20**

6. Stäng det främre skyddet ordentligt.

► **Fig.21:** 1. Främre skydd

ANVÄNDNING

⚠ FÖRSIKTIGT: Ha inte ansiktet nära ventilationsöppningen när dammsugaren används. Om främmande föremål blåser in i ögonen kan det resultera i personskada.

Montering eller demontering av dammsugartillbehör

⚠ FÖRSIKTIGT: Kontrollera att tillbehören sitter säkert efter att de monterats. Om tillbehören är ofullständig monterat kan de lossna och orsaka personskada.

⚠ FÖRSIKTIGT: Var noga med att inte slå handen i väggen etc. när du tar bort tillbehören.

När tillbehöret med låsfunktion används

Installera tillbehöret genom att sätta in det i dammsugarens sugöppning tills det klickar. Se till att tillbehöret är låst.

► **Fig.22:** 1. Sugöppning 2. Tillbehör med låsfunktion 3. Krok

OBSERVERA: Se till att du passar in frigöringsknappen på dammsugaren med kroken på tillbehöret när du monterar tillbehöret med låsfunktion. Om de inte är inpassade med varandra blir tillbehöret inte låst och kan lossna från dammsugaren.

Ta bort genom att dra i tillbehöret samtidigt som du trycker på frigöringsknappen.

► **Fig.23:** 1. Frigöringsknapp 2. Tillbehör med låsfunktion

När tillbehöret utan låsfunktion används

OBSERVERA: Anslut tillbehöret utan låsfunktion genom att vrida och föra in det ordentligt i sugöppningen på dammsugaren. Ta loss tillbehöret genom att dra bort det samtidigt som du vrider det.

► **Fig.24**

Dammsugning

Munstycke

Använd munstycket när du ska dammsuga bord, bänkar, möbler o.dyl. Munstycket skjuts på enkelt.

► **Fig.25:** 1. Munstycke

Munstycke + förlängningsrör (rakt rör)

Förlängningsröret sätts mellan munstycket och själva dammsugaren. Med detta arrangemang kan du dammsuga bekvämt i upprätt läge.

► **Fig.26:** 1. Dammsugarkropp 2. Förlängningsrör 3. Munstycke

Hörnmunstycke

Sätt på hörnmunstycket när du ska dammsuga hörn och springor i bilsäten.

► **Fig.27:** 1. Hörnmunstycke 2. Dammsugarkropp

Du kan förvara hörnmunstycket i munstyckshållaren.

► **Fig.28:** 1. Munstyckshållare 2. Hörnmunstycke

⚠ FÖRSIKTIGT: Var försiktig så du inte fastnar med fingret/fingrarna mellan hörnmunstycket och munstyckshållaren. Att klämma fingret/fingrarna kan orsaka skada.

Hörnmunstycke + förlängningsrör (rakt rör)

Använd detta arrangemang i trånga utrymmen där inte själva dammsugaren får plats eller på höga höjder som är svåra att nå.

► **Fig.29:** 1. Hörnmunstycke 2. Förlängningsrör 3. Dammsugarkropp

Dammsugning utan munstycke

Du kan suga upp pulver och damm utan att använda munstycket.

► **Fig.30**

För att få upp damm från ett golv i stående ställning är det bekvämt att fästa förlängningsröret (rakt rör) på dammsugaren.

► **Fig.31:** 1. Förlängningsrör (rakt rör)

Borttagning av damm

⚠ FÖRSIKTIGT: Töm dammsugaren innan den blir för full, annars försvagas sugstyrkan.

⚠ FÖRSIKTIGT: Var försiktig när du stänger det främre skyddet så att du inte klämmer dina fingrar.

OBSERVERA: Kasta aldrig bort dammstoppet eftersom det ska användas när dammpåsen eller pappersfiltret används.

OBSERVERA: Om dammpåsen/pappersfiltret inte är i dammsugaren går det inte att stänga det främre höljet ordentligt. Tvinga inte igen det främre höljet. Det finns en risk att maskinen deformeras eller går sönder.

OBSERVERA: När du slänger smuts ska du även göra rent utrymmet för dammpåsen/pappersfiltret. Kvarvarande damm och smuts i utrymmet kan göra så att filtret bli igensatt eller motorn skadas.

1. Tryck på knappen för att öppna det främre skyddet. Öppna tills du hör ett klick, där stannar skyddet i läge.

► **Fig.32:** 1. Främre skydd 2. Knapp

2. Dra ut både det orangefärgade dammstoppet och dammpåsen/pappersfiltret samtidigt.

► **Fig.33:** 1. Dammstopp

3. Utför procedurerna nedan beroende på typen av dammbehållare:

Vid användning av dammpåse

Ta bort dammstoppet och töm dammpåsen.

► **Fig.34:** 1. Dammstopp 2. Dammpåse

Vid användning av pappersfilter

Ta bort dammstoppet och släng pappersfiltret.

► **Fig.35:** 1. Dammstopp 2. Pappersfilter

4. Placera dammpåsen/det nya pappersfiltret och dammstoppet tillsammans i dammsugaren och stäng det främre höljet.

OBS: Dammsugaren är konstruerad så att det främre skyddet lossar när du försöker att öppna det mer än i 90° vinkel. Om det främre skyddet lossar, ska det sättas på plats i avsedd anslutning.

► **Fig.36:** 1. Främre skydd 2. Anslutning i främre skydd

UNDERHÅLL

⚠FÖRSIKTIGT: Se alltid till att maskinen är avstängd och batterikassetten borttagen innan inspektion eller underhåll utförs.

För att upprätthålla produktens SÄKERHET och TILLFÖRLITLIGHET bör allt underhålls- och justeringsarbete utföras av ett auktoriserat Makita servicecenter och med reservdelar från Makita.

Efter användning

⚠FÖRSIKTIGT: Om du lutar dammsugaren mot väggen utan något annat stöd kan det orsaka att dammsugaren välter, vilket kan leda till personskada eller skada på dammsugaren.

► **Fig.37**

Rengöring

⚠FÖRSIKTIGT: Rengör dammpåsar och filter när de blir igensatta. Fortsatt användning i igensatt tillstånd kan leda till upphettning eller brand.

OBSERVERA: Använd inte bensin, förtunningsmedel, alkohol eller liknande. Missfärgning, deformation eller sprickor kan uppstå.

OBSERVERA: Blås inte bort damm på dammsugaren och filter med rengöringsspray (luft). Damm kommer att tränga in i huset och orsaka stopp.

OBSERVERA: Torka dammpåsar och svampfilter noga innan användning när du har tvättat dem. Filter som inte är helt torra kan orsaka dålig sugförmåga och förkorta motorns livslängd.

OBSERVERA: Se till att sätta tillbaka dammpåsar och svampfilter före användning, efter de har rengjorts. Om du använder dammsugaren utan dammpåsar och svampfilter kommer damm in i motorhuset och leder till felfunktion.

Dammsugarkropp

Torka regelbundet av dammsugarens utsida med en trasa fuktad i tvålvatten.

Rengör även sugöppningen, dammstoppet och facket för dammpåse/pappersfilter.

► **Fig.38**

Dammpåse

Tvätta dammpåsen i tvålvatten när den är igensatt av damm och sugstyrkan avtagit. Torka den ordentligt innan användning. Ett filter som inte är helt torrt kan orsaka dålig sugförmåga och förkorta motorns livslängd.

► **Fig.39**

OBS: Pappersfiltret är av engångstyp.

Dammstopp

Torka av damm från dammstoppet.

Ta bort damm och smuts på svampdelen genom att knacka ätt på den.

► **Fig.40:** 1. Svampdel

Ta bort och sätta dit filtret

⚠FÖRSIKTIGT: Sätt tillbaka filtret när du rengjort det. Låt filtret torka om det rengjordes i vatten, innan du sätter tillbaka det. Ett filter som inte är helt torrt kan förkorta motorns livslängd.

När filtret är igensatt av damm, tar du bort det från dammsugaren och torkar av det eller tvättar det i vatten.

Ta bort svampfiltret genom att först ta bort dammpåsen eller pappersfiltret och därefter fatta tag i filtret för att ta ur det.

► **Fig.41:** 1. Svampfilter

Tryck in hela kanten på svampfiltret mot den infällda väggen inuti facket för dammpåse/pappersfilter.

► **Fig.42:** 1. Infälld vägg

Väggfäste för sladdlös dammsugare

Valfria tillbehör

OBS: Skruven för att montera hållaren medföljer inte. Förbered en skruv som stämmer med det material som den ska skruvas in i.

Fäst väggfäste för sladdlös dammsugare i en trävägg, regel eller pelare där väggfäste för sladdlös dammsugare kan fästas ordentligt. Se alltid till att väggfäste för sladdlös dammsugare sitter fast ordentligt innan du hänger upp dammsugaren.

► **Fig.43:** 1. Väggfäste för sladdlös dammsugare

⚠FÖRSIKTIGT: Häng inte upp dammsugaren på väggfästet med våld eller häng andra apparaten än dammsugaren.

Felsökning

Kontrollera följande punkter innan du kontaktar service.

Symptom	Område att kontrollera	Åtgärdsmetod
Svag sugförmåga	Är dammpåsen eller pappersfiltret fulla av damm?	Töm dammpåsen eller pappersfiltret.
	Är dammpåsen eller svampfiltret igensatt?	Damma av eller tvätta dammpåsen och svampfiltret.
	Är pappersfiltret igensatt?	Byt pappersfilter.
	Är batterikassetten urladdad?	Ladda batterikassetten.
Fungerar inte	Är batterikassetten urladdad?	Ladda batterikassetten.
Onormalt buller och vibrationer	Är dammpåsen eller svampfiltret igensatt?	Damma av eller tvätta dammpåsen och svampfiltret.
	Är pappersfiltret igensatt?	Byt pappersfilter.
	Finns det en blockering i öppningar eller hål?	Rengör eventuellt damm och objekt från munstycket, rör och luftöppningar.
	Är sugöppningen på munstycket eller röret stängd?	Frilägg och öppna sugöppningen på munstycket och röret.
Dammhöljets lock stängs inte	Är dammpåsen eller pappersfiltret isatt?	Sätt i dammpåsen eller pappersfiltret.

⚠ FÖRSIKTIGT: Reparera inte dammsugaren på eget bevåg.

VALFRIA TILLBEHÖR

⚠ FÖRSIKTIGT: Följande tillbehör eller tillsatser rekommenderas för användning med den Makita-maskin som denna bruksanvisning avser. Om andra tillbehör eller tillsatser används kan det uppstå risk för personskador. Använd endast tillbehören eller tillsatserna för de syften de är avsedda för.

Kontakta ditt lokala Makita servicecenter om du behöver ytterligare information om dessa tillbehör.

- Förlängningsrör (rakt rör)
- Munstycke
- Mattmunstycke
- Hyllborste
- Hörnmunstycke
- Rund borste
- Flexibel slang
- Dammpåse
- Pappersfilter
- Fritt munstycke
- Sätessmunstycke
- Spaltnunstycke
- Väggfäste för sladdlös dammsugare
- Cyklontillbehör
- Verktygsväska
- Makitas originalbatteri och -laddare

OBS: Några av tillbehören i listan kan vara inkluderade i maskinpaketet som standardtillbehör. De kan variera mellan olika länder.

Cyklontillbehör

- **Fig.44:** 1. Frigöringsknapp 2. Krok
3. Förlängningsrör (rakt rör)
4. Cyklontillbehör 5. Sugöppning

Om cyklontillbehöret

Om dammsugaren används med cyklontillbehöret installerat minskas den mängd damm som kommer in i dammpåsen, vilket gör att sugkraften inte försvagas lika lätt. Det blir också enkelt att rengöra efter användning.

⚠ FÖRSIKTIGT: Se alltid till att verktyget är avstängt och batterikassetten borttagen innan du underhåller verktyget. Om batterikassetten lämnas insatt, kan dammsugaren starta oavsiktligt med skada som följd.

⚠ FÖRSIKTIGT: Rengör cyklontillbehörets nätfilter och dammsugarenhetens dammpåse när de blir tilltäppta. Fortsatt användning i tilltäppt tillstånd kan leda till upphettning eller rök.

OBSERVERA: När cyklontillbehöret sitter på ska inte dammsugaren användas i horisontell eller uppåtvänd riktning. Att göra detta kan få nätfiltret att bli igentäppt.

OBSERVERA: Använd alltid dammsugaren med dammpåsen installerad, även när cyklontillbehöret används. Att använda dammsugaren utan dammpåsen installerad kan leda till fel på motorn.

OBS: Kontrollera att cyklontillbehöret, dammsugaren och förlängningsröret (rakt rör) är ordentligt låsta före användning.

OBS: Töm cyklontillbehörets dammhölje och dammsugarens dammpåse när det har ansamlats damm. Fortsatt användning leder till försvagad sugkraft.

OBS: Du kan också använda cyklontillbehöret utan låsfunktion.

OBS: För att installera eller ta bort cyklontillbehöret, se avsnittet "Montering eller demontering av dammsugartillbehör".

3. Sätt in nätfiltret i basen medan krokarna är inpassade med porten. Vrid nätfiltret medurs till krokarna låses med ett klick. Se till att nätfiltret är säkert installerat.

► **Fig.49:** 1. Nätfiltret 2. Krok 3. Port

Borttagning av damm

När det har ansamlats damm upp till fullt-strecket i dammhöljet, följer du proceduren nedan och kasserar dammet.

1. Håll dammhöljet ordentligt, tryck och håll in de två knapparna och ta bort dammhöljet.

► **Fig.45:** 1. Fullt-streck 2. Dammhölje 3. Knapp (två ställen) 4. Nätfiltret

2. Kasserar dammet inuti dammhöljet och ta bort allt damm och pulver som satt sig fast på ytan på nätfiltret.

3. Sätt in dammhöljet hela vägen tills de två knapparna låses med ett klick.

► **Fig.46:** 1. Dammhölje 2. Knapp (två ställen)

⚠ FÖRSIKTIG: Var försiktig när du sätter tillbaka dammhöljet så att du inte klämmer fingrarna.

OBS: Kontrollera att cyklontillbehöret, dammsugaren och förlängningsröret (rakt rör) är ordentligt låsta innan körningen återupptas.

OBS: Om sugkraften inte återställs ens efter att du kasserat dammet och rengjort nätfiltret, kontrollera då om det har ansamlats damm i dammsugarens dammpåse eller det har uppstått tilltäppning.

OBS: Dammet kan flyga upp när man tar bort det från cyklontillbehöret. Var försiktig så du inte får damm i ögonen.

Rengöring

⚠ FÖRSIKTIG: Torka cyklontillbehöret ordentligt före användning när du har tvättat det. Komponenter som inte är helt torra kan orsaka elektriska stötar eller skada på apparaten.

När dammhöljet blir smutsigt eller nätfiltret blir tilltäppt tar du bort dem och tvättar av dem med vatten. (Se borttagningsproceduren i "Borttagning av damm".)

Torka av delarna noggrant före ominstallation och användning.

► **Fig.47:** 1. Dammhölje 2. Nätfiltret

När nätfiltret blir rejält smutsigt ska det rengöras genom följande procedurer.

1. Vrid nätfiltret moturs och ta bort det medan krokarna är upplåsta.

► **Fig.48:** 1. Nätfiltret 2. Krok

2. Ta bort dammet på nätfiltret och tvätta sedan av det med vatten. Torka det sedan noggrant.

ADVARSEL

- Dette apparatet kan brukes av barn fra 8 år og oppover og av personer med reduserte fysiske, sensoriske eller mentale evner eller mangel på erfaring og kunnskap, såfremt de holdes under oppsyn, har blitt gitt instruksjoner om sikker bruk av apparatet og forstår farene som er involvert.
- Barn skal ikke leke med apparatet. Rengjøring og brukervedlikehold skal ikke utføres av barn uten oppsyn.
- Typereferanse for batteriet finnes i kapittelet "SPESIFIKASJONER".
- Informasjon om hvordan batteriet settes i og tas ut finnes i avsnittet "Sette inn eller ta ut batteri".
- Når batteriet skal avhendes, tar du det ut av verktøyet og kaster det på et trygt sted. Følg lokale bestemmelser for avhending av batterier.
- Hvis verktøyet ikke skal brukes på en god stund, må batteriet tas ut av verktøyet.
- Ikke kortslutt batteriet.
- Nærmere detaljer om forholdsregler under brukervedlikehold finnes i kapittelet "VEDLIKEHOLD".

TEKNISKE DATA

Modell:		CL002G
Kapasitet	med støvpose	500 mL
	med papirfilter	330 mL
Kontinuerlig bruk (med batteri BL4025)	1 (stillemodus)	Ca. 80 min
	2 (modus for normal hastighet)	Ca. 40 min
	3 (modus for høy hastighet)	Ca. 25 min
	4 (modus for maks. hastighet)	Ca. 16 min
Samlet lengde (med rør, munnstykke og batteri BL4025)		1 066 mm
Nominell spenning		DC 36 V - 40 V maks
Nettovekt		1,8 - 2,4 kg

- På grunn av vårt kontinuerlige forsknings- og utviklingsprogram kan spesifikasjonene som oppgis i dette dokumentet endres uten varsel.
- Spesifikasjonene kan variere fra land til land.
- Vekten omfatter ikke tilbehør, men batteri(er). Den letteste og tyngste vektkombinasjonen av innretningen og batteri(er) vises i tabellen.

Passende batteri og lader

Batteriinnsett	BL4020* / BL4025* / BL4040* / BL4050F * : Anbefalt batteri
Lader	DC40RA / DC40RB / DC40RC

- Noen av batteriene og laderne som er opplistet ovenfor er kanskje ikke tilgjengelige, avhengig av hvor du bor.

⚠ ADVARSEL: Bruk kun de batteriene og laderne som er opplistet ovenfor. Bruk av andre batterier og ladere kan føre til personskader og/eller brann.

Symboler

Nedenfor ser du symbolene som kan brukes for dette utstyret. Forviss deg om at du forstår hva de betyr, før du begynner å bruke maskinen.



Les bruksanvisningen.



Et representativt batteri som gjelder for dette produktet.



Kun for EU-land

På grunn av forekomst av farlige komponenter i utstyret, kan avfall fra elektrisk og elektronisk utstyr, akkumulatører og batterier ha en negativ innvirkning på miljøet og menneskers helse.

Ikke kast elektriske og elektroniske apparater eller batterier sammen med husholdningsavfall!

I samsvar med det europeiske direktivet om avfall fra elektrisk og elektronisk utstyr og om akkumulatører og batterier samt akkumulatører og batterier som skal kastes, samt deres tilpasning til nasjonal lovgivning, skal brukt elektrisk utstyr samt brukte batterier og akkumulatører samles inn separat og leveres til et eget innsamlingssted for kommunalt avfall, som driver virksomhet i samsvar med miljøvernforskriftene.

Dette er angis av symbolet med den overkryssede avfallsbeholderen som er plassert på utstyret.

Riktig bruk

Innretningen er laget for å samle opp tørt støv.

SIKKERHETSADVARSEL

Sikkerhetsadvarsler for trådløs støvsuger

⚠ ADVARSEL: VIKTIG. LES NØYE alle sikkerhetsadvarsler og instruksjoner FØR BRUK. Hvis du ikke følger alle advarslene og instruksjonene som er oppført nedenfor, kan det føre til elektriske støt, brann og/eller alvorlige helseskader.

1. **Må ikke utsettes for regn. Oppbevares innendørs.**
2. **Ikke bruk støvsugeren som leketøy. Vær ekstra oppmerksom når den brukes nær barn.**
3. **Bruk støvsugeren kun som beskrevet i denne håndboken. Bruk kun tilbehør som er anbefalt av produsenten.**
4. **Må ikke brukes med skadet batteri. Hvis innretningen ikke virker som den skal, er blitt mistet i bakken, ødelagt, gjenglemt utendørs eller mistet i vann, må du levere den inn til et serviceverksted.**
5. **Ikke håndter innretningen med våte hender.**
6. **Ikke putt gjenstander inn i åpningene. Ikke bruk støvsugeren hvis noen av åpningene er blokkert. Hold den fri for støv, lo, hår og annet som kan redusere luftstrømmen.**
7. **Hold hår, løstsittende klær, fingrene og alle kroppsdeler unna åpninger og bevegelige deler. Slå av alle kontroller før du tar ut batteriet.**
8. **Vær ekstra forsiktig ved rengjøring av trapper.**
10. **Må ikke brukes til å ta opp brennbare eller eksplosive væsker som bensin, og må heller ikke brukes i områder der disse kan forekomme.**
11. **Lading må kun foregå med laderen som fulgte med fra produsenten.**

12. **Ikke plukk opp noe som brenner eller ryker, som sigaretter, fyrstikker eller varm aske.**
13. **Må ikke brukes uten at støvpose og/eller filtre er på plass.**
14. **Ikke lad batteriet utendørs.**
15. **Batteriet må kun lades opp igjen med en lader spesifisert av produsenten.** En lader som passer til én batteritype, kan være brannfarlig når den brukes med en annen batteritype.
16. **Utstyr skal kun brukes med spesifikt angitte batterier.** Bruk av andre batterier kan utgjøre en fare for personskader og brann.
17. **Når batteripakken ikke er i bruk, bør du holde den unna metallgjenstander som binders, mynter, nøkler, spiker, skruer og andre små metallgjenstander som kan skape forbindelse mellom én pol og en annen.**
18. **Hvis batteriet utsettes for hardhendt bruk, kan det lekket væske fra batteriet. Unngå kontakt med væsken. Hvis du kommer i kontakt med batterivæsken, må du skylle med vann.**
19. **Ikke bruk et batteri eller apparat som er skadet eller endret på.** Batterier som er skadet eller endret på kan oppføre seg upålitelig og medføre brann, eksplosjon eller fare for personskader.
20. **Et batteri eller apparatet må ikke utsettes for ild eller for høy temperatur.** Ild eller temperaturer på over 130 °C kan forårsake eksplosjon.
21. **Følg alle ladeinstruksjonene, og ikke lad batteriet eller apparatet utenfor temperaturområdet som er angitt i instruksjonene.** Feil lading eller lading ved temperaturer utenfor det angitte området, kan skade batteriet og øke faren for brann.

TA VARE PÅ DISSE INSTRUKSJONENE.

YTTERLIGERE SIKKERHETSREGLER

Denne innretningen er beregnet på å brukes i husholdningen.

1. **Les grundig gjennom denne bruksanvisningen og bruksanvisningen for laderen før bruk.**
2. **Ikke plukk opp følgende materialer:**
 - Varme materialer som påtente sigaretter eller gnister/metallstøv fra sliping/kutting av metall
 - Brennbare materialer som bensin, tynner, lettbensin, parafin eller maling
 - Eksplosive materialer som nitroglyserin
 - Antennelige materialer som aluminium, sink, magnesium, titan, fosfor eller celluloid
 - Fuktig smuss, vann, olje eller lignende
 - Harde gjenstander med skarpe kanter som treffiser, metaller, steiner, glass, spiker, nåler eller barberblader
 - Pulver som kan stivne som sement eller toner
 - Elektrisk ledende støv fra metall eller karbon
 - Fine partikler som betongstøvSlike handlinger kan forårsake brann, personskader og/eller materielle skader.

3. Hvis du merker at noe er uvanlig, må du stanse arbeidet omgående.
4. Hvis du mister støvsugeren, eller kommer til å slå bort den, må du kontrollere den grundig med tanke på sprekker eller skader før bruk.
5. Ikke plasser innretningen nær ovner eller andre varmekilder.
6. Ikke blokker inntaksåpningen eller ventilasjonsåpningene.
11. Når du kasserer batteriinnsetsen, må du ta den ut av verktøyet og avhende den på et sikkert sted. Følg lokale bestemmelser for avhending av batterier.
12. Bruk batteriene kun med produkter spesifisert av Makita. Montere batteriene i produkter som ikke er konforme kan føre til brann, overheting eller elektrolyttlekkasje.
13. Hvis verktøyet ikke skal brukes over en lengre periode, må batteriet tas ut av verktøyet.
14. Under og etter bruk kan batteriet bli varmt og før til brannskader. Vær forsiktig med håndtering av varme batterier.
15. Ikke berører terminalen på verktøyet rett etter bruk, da den kan bli varm og forårsake brannskader.

TA VARE PÅ DISSE INSTRUKSJONENE.

Viktige sikkerhetsanvisninger for batteriinnsets

1. Før du begynner å bruke batteriet, må du lese alle anvisninger og forsiktighetsregler på (1) batteriladeren, (2) batteriet og (3) det produktet batteriet skal brukes i.
2. Ikke demonter eller tukle batteriet. Det kan føre til brann, overoppheting eller eksplosjon.
3. Hvis driftstiden er blitt vesentlig kortere, må du omgående slutte å bruke maskinen. Hvis ikke kan resultatet bli overoppheting, mulige forbrenninger eller til og med en eksplosjon.
4. Hvis du får elektrolytt i øynene, må du skylle dem med store mengder rennende vann og oppsøke lege med én gang. Denne typen uhell kan føre til varig blindhet.
5. Ikke kortslutt batteriet:
 - (1) De kan være ekstremt varme og du kan brenne deg.
 - (2) Ikke lagre batteriet i samme beholder som andre metallgjenstander, som for eksempel spiker, mynter osv.
 - (3) Ikke la batteriet komme i kontakt med vann eller regn.

En kortslutning av batteriet kan føre til et kraftig strømstøt, overoppvarming, mulige forbrenninger og til og med til at batteriet går i stykker.

6. Ikke oppbevar og bruk verktøyet og batteriet på steder hvor temperaturen kan komme opp i eller overskride 50 °C.
7. Ikke sett fyr på batteriet, ikke engang om det er sterkt skadet eller helt utslitt. Batteriet kan eksplodere hvis det begynner å brenne.
8. Du må ikke spikre, skjære, klemme, kaste eller miste batteriet, og heller ikke slå en hard gjenstand mot batteriet. En slik oppførsel kan føre til brann, overoppheting eller eksplosjon.
9. Ikke bruk batterier som er skadet.
10. Lithium-ion-batteriene som medfølger er gjenstand for krav om spesialavfall.

For kommersiell transport, f.eks. av tredjeparter eller speditorer, må spesielle krav om pakking og merking følges.

Før varen blir sendt, må du forhøre deg med en ekspert på farlig materiale. Ta også hensyn til muligheten for mer detaljerte nasjonale bestemmelser. Bruk teip eller maskeringsteip for å skjule åpne kontakter og pakk inn batteriet på en slik måte at den ikke kan bevege seg rundt i emballasjen.

18. Oppbevar batteriet utilgjengelig for barn.
16. Ikke la spon, støv eller jord sette seg fast i terminalene, hullene og sporene i batteriet. Det kan føre til at batteriet eller verktøyet blir overopphetet, begynner å brenne, sprekker eller ikke fungerer som det skal, og forårsake brannskader eller personskade.
17. Med mindre verktøyet støtter bruk nær en høyspent strømlinje, skal ikke batteriet brukes nær en høyspent strømlinje. Det kan føre til en funksjonsfeil eller at verktøyet eller batteriet slutter å fungere.

TA VARE PÅ DISSE INSTRUKSENE.

⚠️FORSIKTIG: Bruk kun originale Makita-batterier. Bruk av batterier som har endret seg, eller som ikke er originale Makita-batterier, kan føre til at batteriet sprekker og forårsaker brann, personskader og andre skader. Det vil også ugyldiggjøre garantien for Makita-verktøyet og -laderen.

Tips for å opprettholde maksimal batterilevetid

1. Lad batteriinnsetsen før den er helt utladet. Stopp alltid driften av verktøyet og lad batteriinnsetsen når du merker at effekten reduseres.
2. Lad aldri en batteriinnsets som er fulladet. Overopplading forkorter batteriets levetid.
3. Lad batteriet i romtemperatur ved 10 °C - 40 °C. Et varmt batteri må kjøles ned før lading.
4. Når batteriet ikke er bruk, skal det tas ut av verktøyet eller laderen.
5. Lad batteriet hvis det ikke har vært brukt på en lang stund (over seks måneder).

FUNKSJONSBEKRIVELSE

⚠️ FORSIKTIG: Forviss deg alltid om at maskinen er slått av og batteriet tatt ut før du justerer maskinen eller kontrollerer dens mekaniske funksjoner.

⚠️ FORSIKTIG: Vær forsiktig så du ikke klemmer fingeren/fingrene mellom støvsugeren og batteriet, som vist på tegningen, når du setter inn batteriet. Å få en eller flere fingre i klem kan medføre personskader.

► Fig.1

Sette inn eller ta ut batteri

⚠️ FORSIKTIG: Slå alltid av verktøyet før du setter inn eller fjerner batteriet.

⚠️ FORSIKTIG: Hold verktøyet og batteripatronen i et fast grep når du monterer eller fjerner batteripatronen. Hvis du ikke holder verktøyet og batteripatronen godt fast, kan du miste grepet, og dette kan føre til skader på verktøyet og batteripatronen samt personskader.

► Fig.2: 1. Rød indikator 2. Knapp 3. Batteriinnsetts

For å ta ut batteriet må du skyve på knappen foran på batteriet og trekke det ut.

Når du skal sette inn batteriet, må du plassere tungen på batteriet på linje med sporet i huset og skyve batteriet på plass. Skyv det helt inn til det går i inngrep med et lite klikk. Hvis du kan se den røde indikatoren som vist i figuren, er det ikke helt låst.

⚠️ FORSIKTIG: Batteriet må alltid settes helt inn, så langt at den røde indikatoren ikke lenger er synlig. Hvis dette ikke gjøres, kan batteriet falle ut av verktøyet og skade deg eller andre som oppholder seg i nærheten.

⚠️ FORSIKTIG: Ikke bruk makt når du setter i batteriet. Hvis batteriet ikke glir lett inn, er det fordi det ikke settes inn på riktig måte.

Batteribeskyttelsessystem

Verktøyet er utstyrt med et batterivernsystem for verktøy/batteri. Dette systemet slår automatisk av strømmen til motoren for å forlenge verktøyet og batteriets levetid. Verktøyet stopper automatisk under drift hvis verktøyet eller batteriet utsettes for en av følgende tilstander.

Overbelastning:

Verktøyet/batteriet brukes på en måte som gjør at det trekker uvanlig mye strøm.

I dette tilfellet må du slå av verktøyet og avslutte bruken som forårsaket at verktøyet ble overbelastet. Slå deretter verktøyet på for å starte det igjen.

Hvis verktøyet ikke starter, er batteriet overbelastet. I så fall må du la batteriet kjøle seg ned før du slår verktøyet på igjen.

Lav batterispennning:

Gjenværende batterikapasitet er for lav og verktøyet vil ikke fungere. I dette tilfellet, fjern og lad batteriet opp igjen.

Vern mot andre årsaker:

Vernesystemet er også laget for beskyttelse mot andre årsaker som kan skade verktøyet og gjøre at det stanser automatisk. Gå gjennom alle de følgende trinnene for å fjerne årsakene til at verktøyet har stanset midlertidig mens det er i drift.

1. Slå av verktøyet, og slå det deretter på igjen for å starte det på nytt.
2. Lad opp batteriet/batteriene eller skift ut med oppladede batterier.
3. La både verktøyet og batteriet/batteriene kjøle seg ned.

Hvis det ikke blir noen forbedring ved at vernesystemet gjenopprettes, tar du kontakt med det lokale Makita-servicenteret.

Indikere gjenværende batterikapasitet

Trykk på sjekk-knappen på batteriet for vise gjenværende batterikapasitet. Indikatorlampene lyser i et par sekunder.

► Fig.3: 1. Indikatorlamper 2. Kontrollknapp

Indikatorlamper			Gjenværende batterinivå
Tent	Av	Blinker	
			75 % til 100 %
			50 % til 75 %
			25 % til 50 %
			0 % til 25 %
			Lad batteriet.
			Batteriet kan ha en feil.

MERK: Det angitte nivået kan avvike noe fra den faktiske kapasiteten alt etter bruksforholdene og den omgivende temperaturen.

MERK: Den første (helt til venstre) indikatorlampen vil blinke når batterivernsystemet fungerer.

Bryterfunksjon

► Fig.4: 1. Knapp for endring av sugekraft 2. PÅ/AV-knapp

Trykk på PÅ/AV-knappen for å starte støvsugeren.

Trykk på PÅ/AV-knappen igjen for å slå den av.

Du kan endre støvsugerens sugekraft i fire trinn ved å trykke på knappen for endring av sugekraft. Hvert trykk på denne knappen gjentar modusen stille/normal/høy/maks. i en syklus.

Nivå	Indikasjon	Modus
1		Stillemodus
2		Modus for normal hastighet
3		Modus for høy hastighet
4		Modus for maks. hastighet

MERK: Du kan endre sugekraften før du slår på støvsugeren.

MERK: Støvsugeren starter med samme sugekraft som sist gang den ble brukt.

Tenne lampen

⚠FORSIKTIG: Ikke se inn i lyset eller se direkte på lyskilden.

Trykk på knappen for endring av sugekraft for å slå på lampen. Lampen slår seg av etter ca. 10 sekunder. Lampen slår seg på når støvsugeren er i drift. Lampen slukkes ca. 10 sekunder etter at støvsugeren ikke lenger er i drift.

MERK: Når gjenværende batterikapasitet blir lav, begynner lampen å blinke. Lampen begynner å blinke avhengig av temperaturen på arbeidsplassen og batteritilstanden.

► **Fig.5:** 1. Knapp for endring av sugekraft 2. PÅ/AV-knapp 3. Lampe

MONTERING

⚠FORSIKTIG: Forviss deg alltid om at maskinen er slått av og batteriet tatt ut før du utfører noe arbeid på maskinen.

Støvpose og papirfilter

Sett inn enten støvposen eller papirfilteret før du bruker støvsugeren.
Bruk støvstopperen når du setter inn støvposen eller papirfilteret. Støvposen kan brukes mange ganger, hvis den tømmes mellom hver gang.
Papirfilteret er til engangsbruk. Kast hele papirfilteret uten å tømme det når det er fullt.

OBS: Slik forhindrer du at det kommer støv inn i motoren:

- Forviss deg om at støvposen eller papirfilteret er satt inn før bruk.
- Sett støvstopperen, sammen med støvposen eller papirfilteret, helt inn i sporene.
- Ikke bruk posen hvis den er skadet eller revnet.

Det kan føre til at motoren blir ødelagt.

OBS: Ikke brett kartongen ved åpningen når du setter inn papirfilteret.

OBS: Støvstopperen må ikke kastes, for den må brukes om igjen, enten du bruker støvpose eller papirfilter.

OBS: Papirfilteret er en viktig komponent for støvsugeren for å opprettholde ytelsen. Bruk av et annet filter enn det originale papirfilteret kan forårsake røykdannelse eller brann.

MERK: Når støvposen eller papirfilteret ikke er satt inn i støvsugeren vil ikke frontdekselet lukke seg helt.

► **Fig.6**

Sette inn støvpose

Bruk støvstopperen når du setter inn støvposen. Pass på så du ikke forveksler oversiden og undersiden, da de er forskjellige.

► **Fig.7:** 1. Støvstopperens overside
2. Støvstopperens underside

1. Sett fremspringet på støvposen inn i det nedre sporet på støvstopperen som vist i figuren.

► **Fig.8:** 1. Støvstopper 2. Nedre spor 3. Støvpose

Det er ingen forskjell på over- og undersiden av støvposen. Du kan sette fremspringet på den ene eller andre siden av posen inn i det nedre sporet til støvstopperen.

► **Fig.9:** 1. Nedre spor

2. La rammen til støvstopperen og rammen til støvposen overlappe hverandre.

► **Fig.10**

3. Plasser støvstopperen og støvposen sammen i hulrommet i støvsugeren, i samme retning som pilen på støvstopperen peker. Sett dem helt inn i sporene i hulrommet i støvsugeren.

► **Fig.11**

4. Spre tekstildelen av støvposen inne i støvsugeren.

► **Fig.12**

5. Lukk frontdekselet helt igjen.

► **Fig.13:** 1. Frontdekselet

Sette inn papirfilteret

Bruk støvstopperen også når du setter inn papirfilteret. Pass på så du ikke forveksler oversiden og undersiden, da de er forskjellige.

► **Fig.14:** 1. Støvstopperens overside
2. Støvstopperens underside

1. Brett ut åpningen på papirfilteret før du setter det på støvstopperen.

► **Fig.15**

2. Sett fremspringet på papirfilteret inn i det nedre sporet på støvstopperen som vist i figuren.

► **Fig.16:** 1. Støvstopper 2. Nedre spor 3. Papirfilter

Det er ingen forskjell på over- og undersiden av papirfilteret. Du kan sette fremspringet på den ene eller andre siden inn i det nedre sporet til støvstopperen.

► **Fig.17:** 1. Nedre spor

3. La rammen til støvstopperen og rammen til papirfilteret overlappe hverandre.

► **Fig.18**

4. Plasser støvstopperen og papirfilteret sammen i hulrommet i støvsugeren, i samme retning som pilen på støvstopperen peker. Sett dem helt inn i sporene i hulrommet i støvsugeren.

► **Fig.19**

5. Spre posedelen av papirfilteret inne i støvsugeren.

► **Fig.20**

6. Lukk frontdekselet helt igjen.

► **Fig.21:** 1. Frontdekselet

BRUK

⚠FORSIKTIG: Ikke beveg ansiktet nær lufteventilen når du bruker støvsugeren. Hvis fremmedlegemer blåses inn i øyne kan det føre til personskader.

Sette på og ta av støvsugertilbehør

⚠FORSIKTIG: Etter at du har satt på tilbehøret må du kontrollere at det sitter godt fast. Hvis tilbehøret ikke er satt riktig på, kan det falle av og føre til personskade.

⚠FORSIKTIG: Vær forsiktig så du ikke slår hånden mot veggen e.l. når du tar av tilbehøret.

Når du bruker tilbehør med låsefunksjon

Når du skal sette på tilbehør, fører du det inn i innsugingsåpningen på støvsugeren til du hører et klikk. Kontroller at tilbehøret er låst.

► **Fig.22:** 1. Innsug 2. Tilbehør med låsefunksjon 3. Krok

OBS: Når du setter på tilbehøret med låsefunksjon, må du passe på at du innretter utløserknappen på støvsugeren med kroken på tilbehøret. Hvis de ikke rettes inn, vil ikke tilbehøret bli låst og kan løsne fra støvsugeren.

Når du skal ta det av, trekk i tilbehøret mens du skyver utløserknappen.

► **Fig.23:** 1. Utløserknapp 2. Tilbehør med låsefunksjon

Når du bruker tilbehør uten låsefunksjon

OBS: For å koble til tilbehør uten låsefunksjon, vrir du og setter det godt inn i sugeinngangen på støvsugeren. Du tar av tilbehøret ved å trekke det ut mens du vrir.

► **Fig.24**

Rengjøring (suging)

Munnstykke

Fest munnstykket for å støvsuge bord, møbler, osv. Det er lett å sette på munnstykket.

► **Fig.25:** 1. Munnstykke

Munnstykke + teleskoprør (rett rør)

Teleskoprøret passer inn mellom munnstykket og selve støvsugeren. Denne anordningen er praktisk når du vil gjøre rent på gulvet og samtidig stå oppreist.

► **Fig.26:** 1. Støvsugerhus 2. Teleskoprør 3. Munnstykke

Hjørnemunnstykke

Sett på hjørnemunnstykket for rengjøring av hjørner og hulrom i en bil eller i møbler.

► **Fig.27:** 1. Hjørnemunnstykke 2. Støvsugerhus

Du kan oppbevare hjørnemunnstykket i munnstykkeholderen.

► **Fig.28:** 1. Munnstykkeholder 2. Hjørnemunnstykke

⚠FORSIKTIG: Pass på at fingeren/fingrene ikke kommer i klem mellom hjørnemunnstykket og munnstykkeholderen. Å få en eller flere fingre i klem kan medføre personskader.

Hjørnemunnstykke + forlengelsesrør (rett rør)

På trange steder der støvsugeren selv ikke får plass, eller på steder som er høyt oppe og vanskelige å nå, bør du bruke denne anordningen.

► **Fig.29:** 1. Hjørnemunnstykke 2. Teleskoprør 3. Støvsugerhus

Støvsuge uten munnstykke

Du kan støvsuge pulver og støv uten munnstykke.

► **Fig.30**

For å suge opp støv fra et gulv i stående stilling, lønner det seg å sette på teleskoprøret (rett rør) på støvsugeren.

► **Fig.31:** 1. Teleskoprør (rett rør)

Kassering av støv

⚠FORSIKTIG: Tøm støvsugeren før den blir for full, ellers reduseres sugekraften.

⚠FORSIKTIG: Når du lukker frontdekselet, må du være forsiktig så du ikke klemmer fingrene.

OBS: Støvstopperen må ikke kastes, for den må brukes når du bruker støvposen eller papirfilteret.

OBS: Når støvposen/papirfilteret ikke er satt inn i støvsugeren, vil ikke frontdekselet lukke seg helt. Ikke bruk kraft for å lukke frontdekselet. Det kan føre til deformering eller brudd av verktøyet.

OBS: Når du tømmer støvet må du også rengjøre søvboksen som støvposen/papirfilteret sitter i. Det gjenværende støvet og skitten i rommet kan gjøre at svampfilteret tettes, eller at motoren blir skadet.

1. Trykk på knappen for å åpne frontdekselet. Du åpner det til du hører et klikk, og det festes i denne posisjonen.

► **Fig.32:** 1. Frontdekselet 2. Knapp

2. Trekk ut både den oransjefargede støvstopperen og støvposen/papirfilteret samtidig.

► **Fig.33:** 1. Støvstopper

3. Følg fremgangsmåten nedenfor, avhengig av typen støvbeholder:

Når du bruker støvpose

Tar du ut støvstopperen, og tømmer støvposen.

► **Fig.34:** 1. Støvstopper 2. Støvpose

Ved bruk av papirfilter

Ta av støvstopperen og kast papirfilteret.

► **Fig.35:** 1. Støvstopper 2. Papirfilter

4. Sett støvposen/nytt papirfilter og støvstopperen sammen inn i støvsugeren og lukk frontdekselet.

MERK: Støvsugeren er laget slik at frontdekselet løsner når en forsøker å bryte det opp i en vinkel på mer enn 90°. Hvis frontdekselet løsner, setter du det bare på plass i dekselleddet.

► **Fig.36:** 1. Frontdeksel 2. Frontdekselledd

VEDLIKEHOLD

⚠FORSIKTIG: Forviss deg alltid om at maskinen er slått av og batteriet tatt ut før du foretar inspeksjon eller vedlikehold.

For å opprettholde produktets SIKKERHET og PÅLITELIGHET, må reparasjoner, vedlikehold og justeringer utføres av autoriserte Makita servicesentre eller fabrikk-servicesentre, og det må alltid brukes reservedeler fra Makita.

Etter bruk

⚠FORSIKTIG: Hvis du plasserer støvsugeren mot en vegg uten annen støtte, kan støvsugeren falle ned. Dette kan medføre personskader eller at støvsugeren blir skadet.

► **Fig.37**

Rengjøring

⚠FORSIKTIG: Rengjør støvposer og filtre når de blir tilstoppet. Fortsatt bruk i tilstoppet tilstand kan føre til oppheting eller brann.

OBS: Aldri bruk gasolin, bensin, tynner alkohol eller lignende. Det kan føre til misfarging, deformering eller sprekkdannelse.

OBS: Ikke blås bort støv som sitter fast på støvsugeren og filterne med en støvblåser. Det kan føre til at det kommer støv inn i huset, noe som kan forårsake feil.

OBS: Støvposer og svampfiltre skal tørkes grundig før bruk etter at de har blitt vasket. Filtre som ikke er tilstrekkelig tørre kan føre til dårlig sugeseffekt og forkorte motorens levetid.

OBS: Etter at du har rengjort støvposer og svampfiltre, må du huske å montere dem igjen før bruk. Hvis du bruker støvsugeren uten støvposer og svampfiltre, kan det komme støv inn i motorhuset og forårsake feil.

Støvsugerhus

Fra tid til annen må du tørke av utsiden av støvsugeren (støvsugerhuset) med en klut fuktet i såpevann.

Gjør også rent i sugeåpningen, monteringsområdet for støvpose/papirfilter og støvstopperen.

► **Fig.38**

Støvpose

Vask støvposen i såpevann når den er tettet av støv, og det er lite kraft i oppsugingen. Tørk det ordentlig før bruk. Et filter som ikke er skikkelig tørt kan føre til dårlig sugeseffekt og forkorte motorens levetid.

► **Fig.39**

MERK: Papirfilteret er til engangsbruk.

Støvstopper

Tørk av støvet på støvstopperen.

Fjern støv og skitt på svampfilteret lett ved å banke lett på det.

► **Fig.40:** 1. Svampdel

Fjerne og sette inn svampfilteret

⚠FORSIKTIG: Etter at du har rensset svampfilteret, må du passe på å sette det i støvsugeren. Hvis det vaskes med vann, må du tørke det før det settes inn. Et utilstrekkelig tørt svampfilter kan forkorte motorens levetid.

Når svampfilteret er tilstoppet av støv, må du fjerne det fra støvsugeren og tørke av det eller vaske det med vann.

Når du vil ta ut svampfilteret, må du ta ut støvposen eller papirfilteret, klemme det sammen og ta svampfilteret ut.

► **Fig.41:** 1. Svampfilter

Trykk inn hele kanten av svampfilteret mot den utsparte veggen på innsiden av monteringsområdet for støvposen/papirfilteret.

► **Fig.42:** 1. Utspart vegg

Veggfeste for batteridrevet støvsuger

Valgfritt tilbehør

MERK: Skruen til å montere holderen med er ikke inkludert. Bruk en skru som passer til materialet den skal skrues inn i.

Skrus veggfestet for den batteridrevne støvsugeren fast i en hard trevegg eller en bjelke, der veggfestet sitter godt fast. Du må alltid se etter at veggfestet for den batteridrevne støvsugeren er festet godt før du henger opp støvsugeren.

► **Fig.43:** 1. Veggfeste for batteridrevet støvsuger

⚠FORSIKTIG: Ikke heng opp støvsugeren på en kraftig måte eller heng andre apparater på den enn støvsugeren.

Feilsøking

Før du bestiller reparasjon, bør du kontrollere følgende punkter.

Symptom	Område som skal undersøkes	Løsning
Dårlig sugekraft	Er støvposen eller papirfilteret fullt av støv?	Tøm støvposen eller papirfilteret.
	Er støvposen eller svampfilteret tilstoppet?	Tørk av eller vask støvpose og svampfilter.
	Er papirfilteret tilstoppet?	Bytt papirfilter.
	Er batteriet utladet?	Lad batteriet.
Fungerer ikke	Er batteriet utladet?	Lad batteriet.
Det kommer unormal støv og vibrasjon	Er støvposen eller svampfilteret tilstoppet?	Tørk av eller vask støvpose og svampfilter.
	Er papirfilteret tilstoppet?	Bytt papirfilter.
	Er det noe som blokkerer åpninger eller hull?	Rengjør støv og gjenstander fra munnstykker, rør og luftåpninger.
	Er sugeinngangen på munnstykket eller røret lukket?	Avdekk og åpne sugeinngangen på munnstykke og rør.
Dekselet på støvboksen lar seg ikke lukke	Er støvposen eller papirfilteret satt inn?	Sett inn støvposen eller papirfilteret.

⚠FORSIKTIG: Ikke forsøk å reparere støvsugeren selv.

VALGFRITT TILBEHØR

⚠FORSIKTIG: Det anbefales at du bruker dette tilbehøret eller verktøyet sammen med den Makita-maskinen som er spesifisert i denne håndboken. Bruk av annet tilbehør eller verktøy kan forårsake personskader. Tilbehør og verktøy må kun brukes til det formålet det er beregnet på.

Ta kontakt med ditt lokale Makita-servisesenter hvis du trenger mer informasjon om dette tilbehøret.

- Teleskoprør (rett rør)
- Munnstykke
- Teppemunnstykke
- Hyllebørste
- Hjørnemunnstykke
- Rund børste
- Fleksibel slange
- Støvpose
- Papirfilter
- Løst munnstykke
- Setedyse
- Sprekkyse
- Veggfeste for batteridrevet støvsuger
- Syklontilbehør
- Verktøypose
- Makita originalbatteri og lader

MERK: Enkelte elementer i listen kan være inkludert som standardtilbehør i verktøypakken. Elementene kan variere fra land til land.

Syklontilbehør

► Fig.44: 1. Utløserknapp 2. Krok 3. Teleskoprør (rett rør) 4. Syklontilbehør 5. Innsug

Om syklontilbehøret

Når du bruker støvsugeren med syklontilbehøret montert, reduseres støvmengden som går inn i støvposen, noe som bidrar til å forhindre at sugekraften svekkes. Dessuten blir det enkelt å rengjøre etter bruk.

⚠FORSIKTIG: Forviss deg alltid om at verktøyet er slått av og batteriet tatt ut før du utfører noe arbeid på verktøyet. Hvis du lar batteriet stå i, kan støvsugeren starte opp utilsiktet og føre til personskade.

⚠FORSIKTIG: Rengjør syklontilbehørets maskefilter og støvsugerens støvpose når de blir tilstoppet. Fortsatt bruk i tilstoppet tilstand kan føre til overoppheting eller røyk.

OBS: Når syklontilbehøret er satt på, må du ikke bruke støvsugeren i horisontal eller oppovervendt stilling. Det vil føre til at maskefilteret blir tilstoppet.

OBS: Du må alltid bruke støvsugeren med støvposen i, selv når du bruker syklontilbehøret. Hvis du bruker støvsugeren uten støvposen i, kan motoren svikte.

MERK: Kontroller at syklontilbehøret, støvsugeren og teleskoprøret (rett rør) er ordentlig låst før bruk.

MERK: Tøm syklontilbehørets støvboks og støvsugerenes støvpose når det har samlet seg opp støv. Fortsatt bruk vil føre til svekket sugekraft.

MERK: Du kan også bruke syklontilbehøret uten låsefunksjon.

MERK: Når du skal sette på eller ta av syklontilbehøret, finner du informasjon i avsnittet "Sette på eller ta av sugetilbehøret".

Avhending av støv

Når støv har samlet seg opp til streken for fullt på støvboksen, følger du fremgangsmåten nedenfor og kaster støvet.

1. Hold et godt tak i støvboksen, trykk på og hold inne de to knappene, og ta av støvboksen.
► **Fig.45:** 1. Strek for fullt 2. Støvboks 3. Knapp (på to steder) 4. Maskefilter
2. Kast støvet i støvboksen, og fjern eventuelt støv og pulver som har festet seg til overflaten på maskefilteret.
3. Før støvboksen helt inn til de to knappene låser seg med et klikk.
► **Fig.46:** 1. Støvboks 2. Knapp (på to steder)

⚠FORSIKTIG: Når du setter sammen støvboksen igjen, må du være forsiktig så du ikke klemmer fingrene.

MERK: Kontroller at syklontilbehøret, støvsugeren og teleskoprøret (rett rør) er ordentlig låst før du tar støvsugeren i bruk igjen.

MERK: Hvis sugekraften ikke gjenopprettes selv etter at du har kastet støvet og rengjort maskefilteret, kontrollerer du om støv har samlet seg opp i støvsugerenes støvpose eller om det har oppstått tilstopping.

MERK: Støvet kan virvles opp når du kaster det fra syklontilbehøret. Pass på at du ikke får støv i øynene.

Rengjøring

⚠FORSIKTIG: Tørk syklontilbehøret godt etter at det er vasket før du tar det i bruk igjen. Komponenter som ikke er tilstrekkelig tørre, kan forårsake elektrisk støt eller skade på apparatet.

Når støvboksen blir tilsmusset eller maskefilteret tilstoppet, tar du dem av og vasker dem med vann. (Fremgangsmåte for å ta dem av finner du under "Avhending av støv".)

Tørk delene grundig før du setter dem tilbake og tar støvsugeren i bruk.

► **Fig.47:** 1. Støvboks 2. Maskefilter

Når maskefilteret blir veldig tilsmusset, rengjør du det på følgende måte.

1. Drei maskefilteret mot klokken, og ta det av mens krokene er i ulåst stilling.
► **Fig.48:** 1. Maskefilter 2. Krok
2. Fjern støvet på maskefilteret, og deretter vasker du det med vann. Til slutt tørker du det grundig.
3. Før maskefilteret inn i den nederste delen mens krokene er innrettet med porten. Drei maskefilteret med klokken til krokene låses med et klikk. Kontroller at maskefilteret sitter som det skal.
► **Fig.49:** 1. Maskefilter 2. Krok 3. Port

VAROITUS

- Tätä laitetta voivat käyttää myös 8-vuotiaat tai sitä vanhemmat lapset sekä henkilöt, joiden fyysiset, sensoriset tai henkiset kyvyt ovat rajoittuneet tai joilla ei ole kokemusta tai tietoa laitteen käytöstä, jos he käyttävät laitetta valvotusti tai jos heille annetaan riittävät ohjeet laitteen käyttämiseksi turvallisella tavalla ja he ymmärtävät siihen liittyvät riskit.
- Lapset eivät saa leikkiä laitteella. Lapset eivät saa puhdistaa tai huoltaa tuotetta ilman valvontaa.
- Tarkista akun tyyppi luvusta "TEKNISET TIEDOT".
- Katso akun irrotus- tai poisto-ohjeet osiosta "Akun asentaminen tai irrottaminen".
- Kun akkupaketti on hävitettävä, poista se työkalusta ja hävitä se turvallisesti. Hävitä akku paikallisten määräysten mukaisesti.
- Jos työkalua ei käytetä pitkään aikaan, akku on poistettava työkalusta.
- Älä oikosulje akkupakettia.
- Tarkista käyttäjän huoltotoimien aikana noudatettavat varoimet luvusta "KUNNOSSAPITO".

TEKNISET TIEDOT

Malli:	CL002G	
Kapasiteetti	pölypussin kanssa	500 mL
	paperisuodattimen kanssa	330 mL
Jatkuva käyttö (akulla BL4025)	1 (Hiljainen tila)	Noin 80 min
	2 (Normaali nopeustila)	Noin 40 min
	3 (Suurnopeustila)	Noin 25 min
	4 (Maksiminopeustila)	Noin 16 min
Kokonaispituus (mukana putki, suutin ja akku BL4025)	1 066 mm	
Nimellisjännite	DC 36 V – 40 V maks.	
Nettopaino	1,8 - 2,4 kg	

- Jatkuvasta tutkimus- ja kehitystyöstämme johtuen esitetyt tekniset tiedot saattavat muuttua ilman erillistä ilmoitusta.
- Tekniset tiedot voivat vaihdella maittain.
- Paino sisältää akkupaketit, mutta ei varusteita. Kevyin ja painavin laite- ja akkupakettiyhdistelmän paino kuvataan taulukossa.

Käytettävä akkupaketti ja laturi

Akkupaketti	BL4020* / BL4025* / BL4040* / BL4050F *: Suositeltu akku
Laturi	DC40RA / DC40RB / DC40RC

- Tiettyjä yläpuolella kuvattuja akkuja ja latureita ei ehkä ole saatavana asuinalueestasi johtuen.

VAROITUS: Käytä vain edellä eriteltyjä akkupaketteja ja latureita. Muiden akkupakettien ja laturien käyttäminen voi aiheuttaa loukkaantumisen ja/tai tulipalon.

Symbolit

Laitteessa on mahdollisesti käytetty seuraavia symboleja. Opettele niiden merkitys ennen käyttöä.



Lue käyttöohje.



Tälle tuotteelle sopiva malliakku.



Koskee vain EU-maita
Käytetyillä sähkö- ja elektroniikkalaitteilla, paristoilla ja akuilla voi olla negatiivisia ympäristö- ja terveysvaikutuksia niissä käytettyjen haitallisten osien takia.
Älä hävitä sähkö- ja elektroniikkalaitteita tai akkuja kolitalousjätteen mukana!
Vanhoja sähkö- ja elektroniikkalaitteita, paristoja ja akkuja koskevan EU-direktiivin ja sen perusteella laadittujen kansallisten lakien mukaan käytetyt sähkö- ja elektroniikkalaitteet, paristot ja akut on kierrätettävä toimittamalla ne erilliseen, ympäristönsuojelusäästösten mukaisesti toimivaan kierrätyspisteeseen.
Tämä on ilmaistu laitteessa olevalla ylivedytyn roska-astian symbolilla.

Käyttötarkoitus

Laitte on tarkoitettu kuivan pölyn imuroimiseen.

TURVAVAROITUKSET

Akkukäyttöisen pölynimurin turvallisuusohjeet

VAROITUS: LUE HUOLELLISESTI kaikki turvavaroitukset ja käyttöohjeet ENNEN KÄYTTÖÄ. Jos varoitusten ja ohjeiden noudattaminen laiminlyödään, seurauksena voi olla sähköisku, tulipalo ja/tai vakava vammautuminen.

1. Älä altista laitetta sateelle. Säilytä laitetta sisätiloissa.
2. Älä anna lasten käyttää laitetta leluja. Noudata suurta varovaisuutta, jos annat lasten käyttää laitetta tai käytät laitetta lasten läsnäollessa.
3. Käytä laitetta vain tämän käyttöohjeen mukaisella tavalla. Käytä ainoastaan valmistajan suosittelemia lisävarusteita.
4. Älä käytä laitetta viallisen akun kanssa. Jos laite ei toimi asianmukaisesti tai se on pudonnut, vaurioitunut, jätetty ulos tai pudotettu veteen, toimita se huoltoon.
5. Älä käytä laitetta märin käsin.
6. Älä laita mitään kohteita laitteen aukkoihin. Älä käytä laitetta jos joku aukkoista on tukossa: pidä aukot puhtaana pölystä, nukasta, hiuksista tai muusta, joka voi haitata ilman virtausta.
7. Pidä hiuksesi, vaatteet, sormet ja muut kehon osat kaukana laitteen aukkoista ja liikkuvista osista.
8. Katkaise virta kaikista säätimistä ennen akun irrottamista.
9. Noudata suurta varovaisuutta portaiden imuroinnin aikana.
10. Älä käytä laitetta syttyvien tai palavien nesteiden, kuten bensiinin, keräämiseen. Älä myöskään käytä sitä tiloissa, joissa voi olla tällaisia nesteitä.
11. Käytä lataamiseen vain valmistajan toimittamaa laturia.
12. Älä kerää mitään palavaa tai savuavaa, kuten savukkeita, tulitikkuja tai kuumaa tuhkaa.

13. Älä käytä laitetta ilman pölypussia ja/tai suodattimia.
14. Älä lataa akkua ulkona.
15. Lataa akkua vain valmistajan määrittämällä laturilla. Tietyille akuille sopiva laturi voi aiheuttaa tulipalovaaran, jos sitä käytetään muuntotyypisen toisen akun kanssa.
16. Käytä laitteita vain määritysten mukaisten akkupakettien kanssa. Muun tyyppisten akkupakettien käyttäminen voi aiheuttaa tapaturma- tai tulipalovaaran.
17. Kun akku ei ole käytössä, säilytä se erillään metalliesineistä, kuten paperiliittimistä, kolikoista, avaimista, nautoista, ruuveista ja muista pienistä metallikappaleista, jotka voivat yhdistää akun navat.
18. Akusta voi vuotaa nestettä, jos sitä käsitellään väärin. Vältä kosketusta. Jos nestettä pääsee iholle vahingossa, huuhtele iho vedellä.
19. Älä käytä viallista tai muunneltua akkupakettia tai laitetta. Vialliset tai muunnellut akut voivat toimia odottamattomasti aiheuttamalla tulipalo-, räjähdys- tai tapaturmavaaran.
20. Älä altista akkupakettia tai laitetta tulelle tai äärimmäisille lämpötiloille. Altistus tulelle tai yli 130 °C:n lämpötiloille voi aiheuttaa räjähdyksen.
21. Noudata kaikkia latausohjeita, äläkä lataa akkupakettia tai laitetta ohjeissa määritettyjen lämpötilarajojen ulkopuolella. Väärin tai ohjeissa määritettyjen lämpötilarajojen ulkopuolella suoritettu lataus voi aiheuttaa akkuvaurion ja kasvattaa tapaturmavaaraa.

SÄILYTÄ NÄMÄ OHJEET.

LISÄTURVALLISUUSOHJEITA

Tämä laite on tarkoitettu kotikäyttöön.

1. Lue tämä käyttöohje sekä laturin käyttöohje huolellisesti ennen käyttöä.
2. Älä kerää seuraavia aineita:
 - Kuumia aineita, esimerkiksi palavia savukkeita tai metallin hiomisesta tai työstämisestä syntyneitä kipinöitä tai metallipölyä
 - Tulenarkoja aineita, esimerkiksi moottori- tai puhdistusbensiiniä, tinneriä, petroolia tai maalia
 - Räjähäviä aineita, esimerkiksi nitroglyseriiniä
 - Herkästi syttyviä aineita, kuten alumiinia, sinkkiä, magnesiumia, titaania, fosforia tai selluloidia
 - Märkää hiekkaa tai savea, vettä, öljyä tai vastaavia aineita
 - Kovia teräväsarmaisia esineitä, esimerkiksi puunsäleitä, metallinkappaleita, lasia, nautoja, neuvoja ja partakoneentieriä
 - Paakkuuntuvia jauheita, esimerkiksi sementtiä tai väriaineita
 - Sähköä johtavaa pölyä, esimerkiksi metalli- tai hiilipölyä
 - Hienojakoisia aineita, esimerkiksi betonipölyä

- Tämä voi aiheuttaa tulipalon sekä henkilö- ja/ tai omaisuusvahinkoja.
- Lopeta käyttö heti, jos havaitset mitään epänormaalia.
 - Jos imuri kolhiintuu tai putoaa maahan, tarkasta, tuliko siihen vaurioita, ennen kuin käytät sitä.
 - Älä käytä imuria uunien tai muiden lämmönlähteiden läheisyydessä.
 - Älä tuki ilmanottoaukkoa tai tuuletusaukkoja.

SÄILYTÄ NÄMÄ OHJEET.

Akkupakettia koskevia tärkeitä turvaohjeita

- Ennen akun käyttöönottoa tutustu kaikkiin laturissa (1), akussa (2) ja akkukäyttöisessä tuotteessa (3) oleviin varoitusteksteihin.
- Älä pura tai peukalo imuria akkupakettia. Se voi johtaa tulipaloon, ylikuumentumiseen tai räjähdykseen.
- Jos akun toiminta-aika lyhenee merkittävästi, lopeta akun käyttö. Seurauksena voi olla ylikuumentuminen, palovammoja tai jopa räjähdys.
- Jos akkuneustettä pääsee silmiin, huuhtelee puhtaalla vedellä ja hakeudu välittömästi lääkärin hoitoon. Akkuneuste voi aiheuttaa näön menetyksen.
- Älä oikosulje akkua.
 - Älä koske akun napoihin millään sähköä johtavalla materiaalilla.
 - Vältä akun oikosulkemista äläkä säilytä akkua yhdessä muiden metalliesineiden, kuten naulojen, kolikoiden ja niin edelleen kanssa.
 - Älä aseta akkua alttiiksi vedelle tai sateelle.

Oikosulku voi aiheuttaa virtapiikin, ylikuumentumista, palovammoja tai laitteen rikkoutumisen.
- Älä säilytä ja käytä työkalua ja akkupakettia paikassa, jossa lämpötila voi nousta 50 °C:een (122 °F) tai korkeammaksi.
- Älä hävitä akkua polttamalla, vaikka se olisi pahoin vaurioitunut tai täysin loppuun kulunut. Avotuli voi aiheuttaa akun räjähtämisen.
- Älä naulaa, leikkaa, purista, heitä tai pudota akkupakettia tai iske sitä kovia esineitä vasten. Tällaiset toimet voivat johtaa tulipaloon, ylikuumentumiseen tai räjähdykseen.
- Älä käytä viallista akkua.
- Sisältyviä litium-ioni-akkua koskevat vaarallisten aineiden lainsäädännön vaatimukset. Esimerkiksi kolmansien osapuolten huolintaliikkeiden tulee kaupallisissa kuljetuksissa noudattaa pakkaamista ja merkintöjä koskevia erityisvaatimuksia. Lähetettävän tuotteen valmistelu edellyttää vaarallisten aineiden asiantuntijan neuvontaa. Huomioi myös mahdollisesti yksityiskohtaisemat kansalliset määräykset. Akun avoimet liittimet tulee suojata teipillä tai suojuksella ja pakkaaminen tulee tehdä niin, ettei akku voi liikkua pakkauksessa.

- Kun akkupaketti on hävitettävä, poista se laitteesta ja hävitä se turvallisesti. Hävitä akku paikallisten määräysten mukaisesti.
- Käytä akkua vain Makitan ilmoittamien tuotteiden kanssa. Akkujen asentaminen yhteen-sopimattomiin tuotteisiin voi aiheuttaa tulipalon, liiallisen ylikuumentumisen, räjähdysen tai akkuneustevuotoja.
- Jos laitetta ei käytetä pitkään aikaan, akku on poistettava laitteesta.
- Akkupaketin lämpötila voi käytön aikana ja sen jälkeen nousta niin kuumaksi, että se voi aiheuttaa palovammoja tai lieviä palovammoja. Käsittele kuumia akkupaketteja huolellisesti.
- Älä kosketa työkalun liittintä välittömästi käytön jälkeen, sillä se voi olla riittävän kuuma aiheuttamaan palovammoja.
- Älä päästä lastuja, pölyä tai maata akkupaketin liittimiin, aukkoihin ja uriin. Se voi johtaa työkalun tai akkupaketin lämpenemiseen, syttymiseen, purkautumiseen tai toimintahäiriöön, mikä voi aiheuttaa palovammoja tai vammoja.
- Ellei työkalu tue käyttöä korkeajännitelinjojen lähellä, älä käytä akkupakettia korkeajännitelinjojen lähellä. Se voi johtaa työkalun tai akkupaketin toimintahäiriöön tai rikkoutumiseen.
- Pida akku pois lasten ulottuvilta.

SÄILYTÄ NÄMÄ OHJEET.

⚠HUOMIO: Käytä vain alkuperäisiä Makita-akkua. Muiden kuin aitojen Makita-akkujen, tai mahdollisesti muutettujen akkujen käyttö voi johtaa akun murtumiseen ja aiheuttaa tulipaloja, henkilö- ja omaisuusvahinkoja. Se mitätöi myös Makita-työkalun ja -laturin Makita-takuun.

Vihjeitä akun käyttöön pidentämiseksi

- Lataa akku ennen kuin se purkautuu täysin. Lopeta aina työkalun käyttö ja lataa akku, jos huomaat työkalun tehon vähenevän.
- Älä koskaan lataa uudestaan täysin ladattua akkua. Ylilataaminen lyhentää akun käyttöikää.
- Lataa akku huoneen lämpötilassa välillä 10 °C - 40 °C. Anna kuuman akun jäähtyä ennen lataamista.
- Irrota akkupaketti työkalusta tai laturista, kun sitä ei käytetä.
- Lataa akkupaketti, jos et käytä sitä pitkään aikaan (yli kuusi kuukautta).

TOIMINTOJEN KUVAUS

⚠️HUOMIO: Varmista aina ennen säätöjä ja tarkastuksia, että työkalu on sammutettu ja akkupaketti irrotettu.

⚠️HUOMIO: Varo, että sormesi eivät jää imurin ja akun väliin akkua latauksen aikana kuvan osoittamalla tavalla. Sormien puristuminen voi aiheuttaa tapaturmia.

► Kuva1

Akun asentaminen tai irrottaminen

⚠️HUOMIO: Sammuta työkalu aina ennen akun kiinnittämistä tai irrottamista.

⚠️HUOMIO: Pidä työkalusta ja akusta tiukasti kiinni, kun irrotat tai kiinnität akkua. Jos akkupaketti tai työkalu putoaa, ne voivat vaurioitua tai aiheuttaa tapaturman.

► Kuva2: 1. Punainen ilmaisin 2. Painike
3. Akkupaketti

Irrota akku painamalla akun etupuolella olevaa painiketta ja vetämällä akku ulos työkalusta.

Akkupaketti asetetaan paikalleen sovittamalla akkupaketin kieleke rungon uraan ja työntämällä se sitten paikalleen. Työnnä se pohjaan asti niin, että kuulet sen napsahdavan paikoilleen. Jos näet kuvan mukaisen punaisen ilmaisimen, lukitus ei ole täysin pitävä.

⚠️HUOMIO: Työnnä akkupaketti aina pohjaan asti, niin että punainen ilmaisin ei enää näy. Jos akkupaketti ei ole kunnolla paikallaan, se voi pudota työkalusta ja aiheuttaa vammoja joko sinulle tai sivullisille.

⚠️HUOMIO: Älä käytä voimaa akun asennuksessa. Jos akku ei liu'u paikalleen helposti, se on väärässä asennossa.

Akun suojausjärjestelmä

Laite on varustettu laitteen/akun suojausjärjestelmällä. Tämä järjestelmä pidentää laitteen ja akun käyttöikää katkaisemalla automaattisesti moottorin virran. Laite pysähtyy automaattisesti kesken käytön, jos laitteessa tai akussa ilmenee jokin seuraavista tilanteista.

Ylikuormitus:

Työkalua/akkua käytetään tavalla, joka saa sen kuluttamaan epätavallisen paljon virtaa.

Katkaise tässä tilanteessa työkalusta virta ja lopeta ylikuormitustilan aiheuttanut käyttö. Käynnistä sitten työkalu uudelleen kytkemällä siihen virta.

Jos työkalu ei käynnisty, akku on ylikuumentunut. Anna tässä tilanteessa akku jäähtyä, ennen kuin kytket työkaluun virran uudelleen.

Alhainen akun jännite:

Akun varaus ei riitä työkalun käyttämiseen. Irrota silloin akku ja lataa se.

Suojausjärjestelmä muista syistä vastaan:

Suojausjärjestelmä on suunniteltu myös muille syyille, jotka voivat vahingoittaa työkalua ja jotka pysäyttävät työkalun automaattisesti. Suorita kaikki seuraavat vaiheet syiden poistamiseksi, kun työkalun toiminta on pysähtynyt tilapäisesti.

1. Katkaise työkalusta virta ja käynnistä se uudelleen kytkemällä virta takaisin.
2. Lataa akut tai vaihda ne ladattuihin.
3. Anna työkalun ja akkujen jäähtyä.

Ellei suojausjärjestelmän palauttaminen auta, ota yhteys paikalliseen Makita-huoltoon.

Akun jäljellä olevan varaustason ilmaisimien

Painamalla tarkistuspainiketta saat näkyviin akun jäljellä olevan varauksen. Merkkivalot palavat muutaman sekunnin ajan.

► Kuva3: 1. Merkkivalot 2. Tarkistuspainike

Merkkivalot			Akussa jäljellä olevan varaus
Palaa	Pois päältä	Viikkuu	
■ ■ ■ ■			75% - 100%
■ ■ ■ □			50% - 75%
■ ■ □ □			25% - 50%
■ □ □ □			0% - 25%
▬ □ □ □			Lataa akku.
■ ■ □ □			Akussa on saattanut olla toimintahäiriö.
□ □ ■ ■			

HUOMAA: Ilmoitettu varaustaso voi erota hieman todellisesta varaustasosta sen mukaan, millaisissa oloissa ja missä lämpötilassa laitetta käytetään.

HUOMAA: Ensimmäinen (vasemmanpuoleisin) merkkivalo vilkkuu, kun akun suojausjärjestelmä on toiminnassa.

Kytkimen käyttäminen

► Kuva4: 1. Imutehon vaihtopainike 2. ON/OFF-painike

Käynnistä imuri painamalla ON/OFF-painiketta. Sammuta painamalla ON/OFF-painiketta uudelleen. Voit vaihtaa imurin imutehoa nellypöytäisesti imutehon vaihtopainiketta painiketta. Kukin painikkeen painallus vaihtaa hiljaisen/normaalin/suurnopeus-/maksiminopeustilan välillä tässä järjestyksessä.

Taso	Merkki	Tila
1	☰	Hiljainen tila
2	☷	Normaali nopeustila
3	☶	Suurnopeustila
4	☵	Maksiminopeustila

HUOMAA: Imutehoa voi vaihtaa ennen imurin kytkemistä päälle.

HUOMAA: Imuri alkaa toimia samalla imuteholla, millä sitä on käytetty viimeksi.

Lampun syyttäminen

⚠HUOMIO: Älä katso suoraan lamppuun tai valonlähteeseen.

Kytke lamppu päälle painamalla imutehon vaihtopainiketta. Lamppu sammuu automaattisesti noin 10 sekunnin kuluttua. Lamppu palaa, kun imuri on toiminnassa. Lamppu sammuu noin 10 sekunnin kuluttua toiminnan lopettamisesta.

HUOMAA: Kun akkukapasiteetti on vähissä, lamppu alkaa vilkkua. Lampun vilkkumisen alkamisajankohta vaihtelee työskentelyalueen lämpötilan ja akkupaketin tilan mukaan.

► **Kuva5:** 1. Imutehon vaihtopainike 2. ON/OFF-painike 3. Lamppu

KOKOONPANO

⚠HUOMIO: Varmista aina ennen mitään työkalulle tehtäviä toimenpiteitä, että se on sammutettu ja akku irrotettu.

Pölypussi ja paperipussi

Asenna imuriin joko pölypussi tai paperipussi ennen imurin käyttöä. Käytä pölytiivistettä, kun asennat pölypussin tai paperipussin. Pölypussin voi tyhjentää, joten sitä voi käyttää useita kertoja. Paperipussit ovat kertakäyttöisiä. Heitä täysi paperipussi pois sellaisenaan tyhjentämättä sitä.

HUOMAUTUS: Pölyn pääsyn estäminen moottoriin:

- Varmista, että pölypussi tai paperipussi on asennettu oikein paikalleen ennen imurin käyttöä.
- Aseta pölytiiviste yhdessä pölypussin tai paperipussin kanssa sovittamalla ne täysin paikalleen kiinnitysuraan.
- Älä käytä rikkinäistä tai viallista pussia.

Muussa tapauksessa seurauksena voi olla moottorivaurio.

HUOMAUTUS: Älä taita pahvia sen avauskohdasta paperipussin kiinnityksen aikana.

HUOMAUTUS: Älä heitä pölytiivistettä pois sillä sitä tulee käyttää, kun käytössä on pölypussi tai paperipussi.

HUOMAUTUS: Pölynimurin paperipussi on tärkeä osa imurin suorituskyvyn säilyttämisen kannalta. Muu kuin alkuperäinen paperipussi voi savuta tai syttyä tuleen.

HUOMAA: Kun imurissa ei ole pölypussia tai paperipussia, pölykotelon kansi ei sulkeudu kokonaan.

► **Kuva6**

Pölypussin kiinnitys

Käytä pölytiivistettä, kun asennat pölypussin. Varmista, että pölytiiviste tulee oikeinpäin, sillä sen ylä- ja alareunat ovat erilaisia.

► **Kuva7:** 1. Pölytiivisteen yläreuna 2. Pölytiivisteen alareuna

1. Aseta pölypussin uloke pölytiivisteessä olevaan alempaan uraan kuvan mukaisesti.

► **Kuva8:** 1. Pölytiiviste 2. Alaura 3. Pölypussi

Pölypussin ylä- ja alareunat ovat samanlaiset. Paperipussin voi asettaa pölytiivisteeseen alauraan molemmissa asennoissa.

► **Kuva9:** 1. Alaura

2. Taita pölytiivisteeseen kehys pölypussin kehiksen päälle.

► **Kuva10**

3. Aseta pölytiiviste yhdessä pölypussin kanssa imurin säiliöön pölytiivisteessä olevan nuolen osoittamassa suunnassa. Aseta ne kokonaan paikalleen pölynimurin säiliön uraan.

► **Kuva11**

4. Levitä pölypussin kangasosa kokonaan imurin sisään.

► **Kuva12**

5. Sulje etukansi kokonaan.

► **Kuva13:** 1. Etukansi

Paperipussin kiinnitys

Käytä pölytiivistettä myös paperipussin kanssa. Varmista, että pölytiiviste tulee oikeinpäin, sillä sen ylä- ja alareunat ovat erilaisia.

► **Kuva14:** 1. Pölytiivisteen yläreuna 2. Pölytiivisteeseen alareuna

1. Avaa paperipussin suuaukko, ennen kuin kiinnität sen pölytiivisteeseen.

► **Kuva15**

2. Aseta paperipussin uloke pölytiivisteessä olevaan alempaan uraan kuvan mukaisesti.

► **Kuva16:** 1. Pölytiiviste 2. Alaura 3. Paperipussi

Paperipussin ylä- ja alareunat ovat samanlaiset. Paperipussin voi asettaa pölytiivisteeseen alauraan molemmissa asennoissa.

► **Kuva17:** 1. Alaura

3. Taita pölytiivisteeseen kehys pölypussin kehikseen.

► **Kuva18**

4. Aseta pölytiiviste yhdessä paperisuodattimen kanssa imurin säiliöön pölytiivisteessä olevan nuolen osoittamassa suunnassa. Aseta ne kokonaan paikalleen pölynimurin säiliön uraan.

► **Kuva19**

5. Levitä paperipussin säilöosa kokonaan imurin sisään.

► **Kuva20**

6. Sulje etukansi kokonaan.

► **Kuva21:** 1. Etukansi

TYÖSKENTELY

⚠️HUOMIO: Älä aseta kasvoja ilma-aukkojen lähellä imurinta käytettäessä. Ilmavirta voi puhalttaa vierasesineitä ihmisten silmiin, mikä voi johtaa henkilövammoihin.

Imurin lisävarusteiden asentaminen ja poistaminen

⚠️HUOMIO: Kun olet asentanut lisävarusteita, tarkista, ovatko ne turvallisesti kiinni. Jos lisävarusteet on asennettu väärin, ne voivat irrota ja aiheuttaa henkilövahinkoja.

⚠️HUOMIO: Varo lyömästä kättäsi seinään ym. irrottaessasi lisävarusteita.

Lukitustoiminnolla varustetun lisävarusteen käyttö

Asenna lisävaruste paikalleen painamalla se imurin imupäähän niin, että se naksahtaa paikalleen. Varmista, että lisävaruste on lukittu.

► **Kuva22:** 1. Imupää 2. Lukitustoiminnolla varustettu lisävaruste 3. Salpa

HUOMAUTUS: Kun asennat lukitustoiminnolla varustettua lisävarustetta paikalleen, varmista, että imurin vapautuspainike on vastakkain lisävarusteen salvan kanssa. Mikäli ne eivät ole vastakkain, lisävaruste ei lukitu paikalleen ja se saattaa irrota imurista.

Irrota lisävaruste vetämällä siitä samalla, kun painat vapautuspainiketta.

► **Kuva23:** 1. Vapautuspainike 2. Lukitustoiminnolla varustettu lisävaruste

Lukitustoiminnottoman lisävarusteen käyttö

HUOMAUTUS: Ellei asennettavassa lisävarusteessa ole lukitustoimintoa, kierrä ja aseta se turvallisesti imurin imuaukkoon. Irrottaessasi lisävarusteen vedä sitä pois päin ja kierrä samalla.

► **Kuva24**

Puhdistus (Imurointi)

Suutin

Kiinnitä suutin, kun imuroit pöytiä, tasoja, huonekaluja tms. Suutin liukuu helposti.

► **Kuva25:** 1. Suutin

Suutin + jatkovarsi (suora putki)

Jatkovarsi asetetaan suuttimen ja imurin väliin. Jatkovarsi on käytännöllinen lattioiden imuroinnissa seisten.

► **Kuva26:** 1. Imurin runko 2. Jatkovarsi 3. Suutin

Kulmasuutin

Kulmasuuttimen avulla voit imuroida nurkat ja ahtaat paikat autoissa ja huonekaluissa.

► **Kuva27:** 1. Kulmasuutin 2. Imurin runko

Kulmasuuttimen voi asettaa talteen suutinpidikkeeseen.

► **Kuva28:** 1. Suutinpidike 2. Kulmasuutin

⚠️HUOMIO: Varo jättämästä sormia kulmasuuttimen ja suutinpidikkeen väliin. Sormien puristuminen voi aiheuttaa vamman.

Kulmasuutin + jatkovarsi (suora putki)

Käytä tätä kokoonpanoa, jos imuri ei muutoin mahdu kohteeseen tai jos imuroit korkealta.

► **Kuva29:** 1. Kulmasuutin 2. Jatkovarsi 3. Imurin runko

Siivous ilman suutinta

Jauhoa ja pölyä voi imuroida myös ilman suutinta.

► **Kuva30**

Kun imuroidaan pölyä lattialta seisoma-asennossa, imuriin kannattaa kiinnittää jatkovarsi (suora putki).

► **Kuva31:** 1. Jatkovarsi (suora putki)

Pölyn hävittäminen

⚠️HUOMIO: Tyhjennä imuri ennen sen täyttämistä, jotta imuteho ei heikkene.

⚠️HUOMIO: Varo, etteivät sormesi jää etukanen väliin sulkiessasi sitä.

HUOMAUTUS: Älä heitä pölytiivistettä pois, sillä sitä tarvitaan pölypussia tai paperipussia käytettäessä.

HUOMAUTUS: Kun pölynimurissa ei ole pöly-/paperipussia, etukansi ei sulkeudu kokonaan. Älä yritä sulkea etukantta väkisin. Se voi johtaa laitteen rikkoutumiseen.

HUOMAUTUS: Kun poistat kerääntyneen pölyn, puhdista samalla pöly-/paperipussin ympäristö. Pussin ympäristöön jäävä pöly ja lika voivat johtaa suodattimen tukkeutumiseen tai moottorin vaurioitumiseen.

1. Avaa etukansi painamalla painiketta. Kun käännät kantta siihen saakka, kunnes kuulet napsahduksen, kanssi jää auki tähän asentoon.

► **Kuva32:** 1. Etukansi 2. Painike

2. Irrota oranssi pölytiiviste ja pöly-/paperipussi samanaikaisesti.

► **Kuva33:** 1. Pölytiiviste

3. Toimi seuraavasti pölysäiliön tyypin mukaan:

Pölypussia käytettäessä

Irrota pölytiiviste ja tyhjennä pölypussi.

► **Kuva34:** 1. Pölytiiviste 2. Pölypussi

Paperipussia käytettäessä

Irrota pölytiiviste ja hävitä paperipussi.

► **Kuva35:** 1. Pölytiiviste 2. Paperipussi

4. Aseta pölypussi / uusi paperipussi ja pölytiiviste imuriin samanaikaisesti ja sulje pölykotelon kansi.

HUOMAA: Imuri on rakennettu siten, että etukansi irtoaa, jos se yritetään kääntää auki yli 90° kulmaan. Jos etukansi irtoaa, työnnä se takaisin paikalleen etukannen saranaan.

► **Kuva36:** 1. Etukansi 2. Etukannen sarana

KUNNOSSAPITO

▲HUOMIO: Varmista aina ennen tarkastusta tai huoltoa, että työkalu on sammutettu ja akku irrotettu.

Tuotteen TURVALLISUUDEN ja LUOTETTAVUUDEN takaamiseksi korjaukset, muut huoltotyöt ja säädöt on teetettävä Makitan valtuutetussa huoltopisteessä Makitan varaosia käyttäen.

Käytön jälkeen

▲HUOMIO: Jos imuri asetetaan seinää vasten ilman tukea, imuri voi kaatua, mikä voi johtaa henkilövahinkoihin tai imurin vaurioitumiseen.

► **Kuva37**

Puhdistus

▲HUOMIO: Puhdista pölypussit ja suodattimet, jos ne ovat menneet tukkoon. Jatkuva käyttö tukkeutuneena voi johtaa lämpenemiseen ja tulipaloon.

HUOMAUTUS: Älä koskaan käytä bensiiniä, ohenteita, alkoholia tai tms. aineita. Muutoin pinta voi halkeilla tai sen värit ja muoto voivat muuttua. Muutoin laitteeseen voi tulla värjäytymiä, muodon vääristymiä tai halkeamia.

HUOMAUTUS: Älä puhalla imuriin ja suodattimiin tarttunutta pölyä puhaltimella. Pöly kulkeutuu imurikotelon sisälle ja aiheuttaa toimintahäiriön.

HUOMAUTUS: Kuivaa pölypussit ja sienisuo-dattimet huolellisesti pesun jälkeen, ennen kuin otat ne uudelleen käyttöön. Jos suodattimia ei ole kuivattu kunnolla, ne voivat heikentää laitteen imutehoa ja lyhentää moottorin käyttöikää.

HUOMAUTUS: Asenna pölypussit ja sienisuo-dattimet puhdistuksen jälkeen takaisin, ennen kuin käytät imuria. Jos imuria käytetään ilman pölypussia ja sienisuo-dattimia, moottorikoteloon pääsee pölyä, joka aiheuttaa toimintahäiriön.

Imurin runko

Pyyhi ajoittain imurin ulkopuoli (laitekotelo) pesuainevedellä kostutetulla liinalla.

Puhdista myös imuaukko, pölypussin/paperipussin kiinnitysalue sekä pölytiiviste.

► **Kuva38**

Pölypussi

Pese pölypussi saippuavedessä, jos pussi on pölyn tukkima ja imurin imuteho on heikko. Kuivaa pussi huolellisesti ennen käyttöä. Jos suodatin ei ole kuiva, se voi heikentää laitteen imutehoa ja lyhentää moottorin käyttöikää.

► **Kuva39**

HUOMAA: Paperipussit ovat kertakäyttöisiä.

Pölytiiviste

Pyyhi pölyt pölytiivisteestä.

Poista pöly ja lika sieniosasta naputtelemalla sitä kevyesti.

► **Kuva40:** 1. Sieniosa

Suodattimen irrottaminen ja kiinnittäminen

▲HUOMIO: Asenna suodatin puhdistuksen jälkeen takaisin imuriin. Anna suodattimen kuivua vesipesun jälkeen, ennen kuin asennat sen takaisin. Jos suodatin ei ole kuiva, se voi lyhentää moottorin käyttöikää.

Kun suodatin on tukossa pölystä, irrota se imurista ja pyyhi se puhtaaksi tai pese se vedellä.

Irrota sienisuo-datin irrottamalla ensin pölypussi tai paperipussi ja irrottamalla sienisuo-datin sitten puristusotteella.

► **Kuva41:** 1. Sienisuo-datin

Paina suodattimen reuna koko matkaltaan pölypussin/paperipussin asennuspaikan sisäseinää vasten.

► **Kuva42:** 1. Sisäseinä

Akkukäyttöisen pölynimurin seinäteline

Lisävaruste

HUOMAA: Ei sisällä telineen kiinnitysruuvia. Varaa asennusta varten asennuspaikan materiaalille sopiva ruuvi.

Kiinnitä akkukäyttöisen pölynimurin seinäteline kova-puiseen seinään, palkkiin tai pylvääseen, johon akku-käyttöisen pölynimurin seinäteline voidaan kiinnittää tukevasti. Varmista aina ennen pölynimurin telineeseen asettamista, että akkukäyttöinen pölynimurin seinäteline on tukevasti kiinni.

► **Kuva43:** 1. Akkukäyttöisen pölynimurin seinäteline

▲HUOMIO: Älä ripusta pölynimuria seinätelineeseen voimalla äläkä ripusta telineeseen muita laitteita kuin pölynimuri.

Vianmääritys

Tarkasta seuraavat kohdat ennen korjauspyyntöä.

Oire	Tarkastettava kohta	Kiinnitystapa
Heikko imuteho	Onko pölypussi tai paperisuodatin täynnä pölyä?	Tyhjennä pölypussi tai paperisuodatin.
	Onko pölypussi tai sienisuodatin tukossa?	Tyhjennä tai pese pölypussi ja sienisuodatin.
	Onko paperisuodatin tukossa?	Vaihda paperisuodatin.
Onko akkupaketti purkautunut?	Lataa akkupaketti.	
Ei toimintaa	Onko akkupaketti purkautunut?	Lataa akkupaketti.
Tuntuu epänormaalia ääntä ja värinää	Onko pölypussi tai sienisuodatin tukossa?	Tyhjennä tai pese pölypussi ja sienisuodatin.
	Onko paperisuodatin tukossa?	Vaihda paperisuodatin.
	Tukkiiko jokin aukot tai reiät?	Poista pöly ja esineet suuttimista, putkista ja ilma-aukoista.
	Onko suuttimen tai putken imuaukko kiinni?	Paljasta ja avaa suuttimen tai putken imuaukko.
Pölykotelon suojeus ei sulkeudu	Onko pölypussi tai paperisuodatin paikallaan?	Aseta pölypussi tai paperisuodatin paikalleen.

⚠HUOMIO: Älä yritä itse korjata imuria.

LISÄVARUSTEET

⚠HUOMIO: Seuraavia lisävarusteita tai laitteita suositellaan käytettäväksi tässä ohjeessa kuvatun Makita-työkalun kanssa. Muiden lisävarusteiden tai laitteiden käyttö voi aiheuttaa henkilövahinkoja. Käytä lisävarusteita ja -laitteita vain niiden käyttötarkoituksen mukaisesti.

Jos tarvitset apua tai yksityiskohtaisempia tietoja seuraavista lisävarusteista, ota yhteys paikalliseen Makitan huoltoon.

- Jatkovarsi (suora putki)
- Suutin
- Mattosuutin
- Hyllyharja
- Kulmasuutin
- Pyöreä harja
- Joustava letku
- Pölypussi
- Paperipussi
- Vapaa suulake
- Istuinsuutin
- Rakosuulake
- Akkukäyttöisen pölynimurin seinäteline
- Syklonilisävaruste
- Työkalulaukku
- Aito Makitan akku ja laturi

HUOMAA: Jotkin luettelossa mainitut varusteet voivat sisältyä työkalun toimitukseen vakiovarusteina. Ne voivat vaihdella maittain.

Syklonilisävaruste

- **Kuva44:** 1. Vapautuspainike 2. Salpa 3. Jatkovarsi (suora putki) 4. Syklonilisävaruste 5. Imupää

Syklonilisävarusteen esittely

Imuriin kytkettävä syklonilisävaruste pienentää pölypussiin päätyvän pölyn määrää, mikä auttaa ehkäisemään imutehon heikentymistä. Puhdistus on myös helppoa käytön jälkeen.

⚠HUOMIO: Varmista aina ennen mitään työkalulle tehtäviä toimenpiteitä, että se on sammutettu ja akkupaketti on irrotettu. Jos akkupaketti jätetään paikalleen, imuri voi käynnistyä odottamatta, mikä voi johtaa henkilövahinkoon.

⚠HUOMIO: Puhdista syklonilisävarusteen verkkosuodatin ja imurin pölypussi, kun ne alkavat tukkeutua. Jatkuva käyttö tukkeutuneena voi johtaa laitteiden lämpenemiseen ja savuamiseen.

HUOMAUTUS: Kun syklonilisävaruste on kytketty, älä käytä imuria vaaka-asennossa tai ylöspäin suunnattuna. Se voi aiheuttaa verkkosuodattimen tukkeutumisen.

HUOMAUTUS: Käytä imurissa aina pölypussia, vaikka käyttäisit imurissa syklonilisävarustetta. Imurin käyttäminen ilman pölypussia voi johtaa moottorin toimintahäiriöihin.

HUOMAA: Varmista ennen käyttöä, että syklonilisävaruste, imuri ja jatkovarsi (suora putki) on lukittu oikein.

HUOMAA: Tyhjennä syklonilisävarusteen pölykotelon ja imurin pölypussi, kun niihin on kertynyt pölyä. Käytön jatkaminen heikentää imutehoa.

HUOMAA: Voit käyttää myös lukitustoiminnotonta syklonilisävarustetta.

HUOMAA: Katso syklonilisävarusteen asennus- ja irrotusohjeet kohdasta "Imurilisävarusteiden asennus ja irrotus".

Pölyn hävittäminen

Kun pölykoteloon on kertynyt pölyä maksimimääräviivaan asti, hävitä pöly seuraavien ohjeiden mukaisesti.

1. Pidä pölykotelosta tiukasti kiinni ja pidä kahta painiketta painettuna samalla, kun irrotat pölykotelon.

► **Kuva45:** 1. Maksimimääräviiva 2. Pölykotelon
3. Painike (kaksi kohtaa)
4. Verkkosuodatin

2. Hävitä pölykotelon sisälle kertynyt pöly ja irrota verkkosuodattimen pintaan kertynyt pöly ja jauhe.

3. Aseta pölykotelon paikalleen niin, että kaksi painiketta lukitsevat sen nakshtaen.

► **Kuva46:** 1. Pölykotelon 2. Painike (kaksi kohtaa)

⚠HUOMIO: Varo, etteivät sormesi jää pölykotelon väliin kootessasi sitä.

HUOMAA: Varmista ennen käytön aloittamista uudelleen, että syklonisisävaruste, imuri ja jatkovarsi (suora putki) on lukittu oikein.

HUOMAA: Jos imuteho ei palaudu pölyn hävittämisen ja verkkosuodattimen puhdistamisen jälkeen, tarkista, onko imurin pölypussiin kertynyt pölyä tai onko se tukkeutunut.

HUOMAA: Syklonisisävarusteesta poistettava pöly saattaa lennähtää ylöspäin. Varo, ettei pölyä pääse silmiin.

Puhdistus

⚠HUOMIO: Kun olet pessyt syklonisisävarusteen, kuivaa se huolellisesti ennen käyttöä. Huonosti kuivatut osat voivat aiheuttaa sähköiskun tai vahingoittaa laitetta.

Kun pölykotelon likaantuu tai verkkosuodatin tukkeutuu, irrota ne ja pese ne vedellä. (Katso irrotusohjeet kohdasta "Pölyn hävittäminen".)

Kuivaa osat huolellisesti ennen niiden paikalleen asentamista ja käyttöä.

► **Kuva47:** 1. Pölykotelon 2. Verkkosuodatin

Kun verkkosuodatin likaantuu merkittävästi, puhdista se seuraavien ohjeiden mukaisesti.

1. Käännä verkkosuodatinta vastapäivään ja irrota se, kun sen salvat ovat avoimessa asennossa.

► **Kuva48:** 1. Verkkosuodatin 2. Salpa

2. Irrota pöly verkkosuodattimesta ja pese sitten suodatin vedellä. Kuivaa se tämän jälkeen huolellisesti.

3. Paina verkkosuodatin kiinni alustaan, kun salvat ovat vastakkain liitännän kanssa. Käännä verkkosuodatinta myötäpäivään, kunnes salvat lukittuvat nakshtaen. Varmista, että verkkosuodatin on tiukasti paikallaan.

► **Kuva49:** 1. Verkkosuodatin 2. Salpa 3. Liitäntä

ADVARSEL

- Dette apparat kan bruges af børn fra 8 år og derover og personer med nedsatte fysiske, sensoriske eller mentale evner eller manglende erfaring og viden, hvis de er under opsyn eller har modtaget instruktioner i sikker anvendelse af apparatet og forstår de farer, der er involveret.
- Børn må ikke lege med apparatet. Rengøring og brugervedligeholdelse må ikke udføres af børn uden opsyn.
- Se kapitlet "SPECIFIKATIONER" for batteriets typereference.
- Se afsnittet "Installation eller fjernelse af akkuen" for at finde ud af, hvordan man fjerner eller installerer batteriet.
- Når du bortskaffer akkuen, skal du afmontere den fra maskinen og bortskaffe den på et sikkert sted. Følg dine lokale regler vedrørende bortskaffelse af batterier.
- Hvis maskinen ikke skal bruges i en længere periode, skal batteriet fjernes fra maskinen.
- Akkuen må ikke kortsluttes.
- Se kapitlet "VEDLIGEHOLDELSE" for at få de relevante oplysninger om forholdsregler under brugervedligeholdelse.

SPECIFIKATIONER

Model:		CL002G
Kapacitet	med støvpose	500 ml
	med papirfilter	330 ml
Kontinuerlig anvendelse (med batteri BL4025)	1 (Stilletilstand)	Ca. 80 min
	2 (Normal hastighedstilstand)	Ca. 40 min
	3 (Høj hastighedstilstand)	Ca. 25 min
	4 (Maks. hastighedstilstand)	Ca. 16 min
Samlet længde (med rør, mundstykke og batteri BL4025)		1.066 mm
Mærkespænding		D.C. Maks. 36 V - 40 V
Nettovægt		1,8 - 2,4 kg

- På grund af vores kontinuerlige forsknings- og udviklingsprogrammer kan hosstående specifikationer blive ændret uden varsel.
- Specifikationer kan variere fra land til land.
- Vægten inkluderer akku(er), men ikke tilbehør. Vægten af den letteste og tungeste kombination af apparat og akku(er) er vist i tabellen.

Anvendelig akku og oplader

Akku	BL4020* / BL4025* / BL4040* / BL4050F * : Anbefalet batteri
Oplader	DC40RA / DC40RB / DC40RC

- Nogle af de akkuer og opladere, der er angivet ovenfor, er muligvis ikke tilgængelige, afhængigt af hvilket område du bor i.

⚠ ADVARSEL: Brug kun de akkuer og opladere, der er angivet ovenfor. Brug af andre akkuer og opladere kan medføre personskaade og/eller brand.

Symboler



Et repræsentativt batteri, der kan anvendes til dette produkt.

Følgende viser de symboler, der muligvis anvendes til udstyret. Sørg for, at du forstår deres betydning før brugen.



Læs betjeningsvejledningen.



Kun for lande inden for EU
På grund af tilstedeværelsen af farlige komponenter i udstyret kan affald af elektrisk og elektronisk udstyr, akkumulatører og batterier have en negativ indvirkning på miljøet og folkesundheden.
Bortskaf ikke elektriske og elektroniske apparater eller batterier sammen med husholdningsaffald!
I overensstemmelse med EF-direktiv om affaldshåndtering af elektrisk og elektronisk udstyr og om akkumulatører og batterier og affaldsakkumulatører og -batterier, og i overensstemmelse med national lovgivning, skal brugt elektrisk udstyr, batterier og akkumulatører opbevares separat og leveres til et separat indsamlingssted for kommunalt affald, der er etableret i henhold til bestemmelserne om miljøbeskyttelse. Dette er angivet ved symbolet på den krydsede skrældespand, der er placeret på udstyret.

Tilsigtet anvendelse

Denne maskine er beregnet til opugning af tørt støv.

SIKKERHEDSADVARSLER

Sikkerhedsadvarsler for akku støvsuger

⚠ ADVARSEL: VIGTIGT! LÆS OMHYGGELIGT alle sikkerhedsadvarsler og alle instruktioner FØR BRUGEN. Hvis advarslerne og instruktionerne ikke overholdes, kan det medføre elektrisk stød, brand og/eller alvorlig personskade.

1. Udsæt ikke for regn. Opbevares inden døre.
2. Må ikke benyttes som legetøj. Nøje overvågning er nødvendig, hvis den anvendes af eller i nærheden af børn.
3. Anvend kun som beskrevet i denne brugsvejledning. Anvend kun tilbehørsdele, som anbefales af fabrikanten.
4. Anvend ikke med et beskadiget batteri. Hvis apparatet ikke virker, som det skal, er blevet tabt, beskadiget, efterladt uden døre eller har været tabt i vand, skal det indleveres til et servicecenter.
5. Rør ikke ved apparatet med våde hænder.
6. Stik ikke nogen genstande ind i åbningerne. Anvend ikke med blokerede åbninger. Hold dem fri for støv, fnug, hår og alt, hvad der kan hindre luftstrømmen.
7. Hold hår, løse beklædningsgenstande, fingre og alle kroppsdele på god afstand af åbningerne og de bevægende dele.
8. Deaktiver alle kontroller, inden batteriet tages ud.
9. Udvis ekstra forsigtighed ved rengøring på trapper.
10. Anvend ikke til at opsuge brændbare eller letantændelige væsker som for eksempel benzin, og anvend ikke på steder, hvor disse væsker kan forefindes.

11. Anvend kun den oplader, som leveres af fabrikanten, til genoplading.
12. Opsug ikke noget, som brænder eller ryger, for eksempel cigaretter, tændstikker eller varm aske.
13. Anvend ikke, uden at støvposen og/eller filtrene er sat på plads.
14. Oplad ikke batteriet uden døre.
15. Genoplad kun med den oplader, der er angivet af fabrikanten. En oplader, der er beregnet til én type akku, kan forårsage risiko for brand, hvis den bruges med en anden akku.
16. Brug kun apparater med specifikt udpegede akkuer. Brug af andre akkuer kan medføre risiko for personskade og brand.
17. Når akkuen ikke anvendes, skal du holde den på afstand af andre metalgenstande som f.eks. papirclips, mønter, nøgler, søm, skruer eller andre små metalgenstande, der kan skabe forbindelse fra én terminal til en anden.
18. Ved misbrug kan der sprøjte væske ud fra batteriet. Undgå kontakt. Skyl med vand i tilfælde af kontakt.
19. Undlad at bruge en akku eller et apparat, der er beskadiget eller ændret. Beskadigede eller ændrede batterier kan udvise uforudsigelig adfærd, der resulterer i brand, eksplosion eller risiko for personskade.
20. Undlad at udsætte en akku eller et apparat for brand eller for høj temperatur. Eksponering for brand eller temperaturer over 130 °C kan forårsage eksplosion.
21. Følg alle opladningsinstruktioner, og undlad at oplade akkuen eller apparatet uden for det temperaturområde, der er angivet i instruktionerne. Forkert opladning eller ved temperaturer uden for det angivne område kan beskadige batteriet og øge risikoen for brand.

GEM DENNE BRUGSANVISNING.

SUPPLERENDE SIKKERHEDSREGLER

Dette apparat er beregnet til husholdningsbrug.

1. Læs denne brugsvejledning og instruktionerne for opladning grundigt inden brug.
2. Undlad at samle følgende materialer op:
 - Varme materialer som for eksempel tændte cigaretter eller gnister/metalstøv, som er frembragt ved slibning/skæring af metal
 - Brændbare materialer som for eksempel benzin, fortynder, rensebenzin, petroleum og maling
 - Eksplosive materialer som for eksempel nitroglycerin
 - Antændelige materialer som for eksempel aluminium, zink, magnesium, titan, fosfor eller celluloid
 - Vådt snavs, vand, olie eller lignende
 - Hårde genstande med skarpe kanter som for eksempel træspåner, metal, sten, glas, søm, knappenåle og barberblade

- Pulver, der størkner, for eksempel cement og toner
 - Ledende støv som for eksempel metal eller kulfiber
 - Fine partikler som for eksempel betonstøv
- Dette kan forårsage brand, personskade og/eller materiel skade.
3. Hold øjeblikkeligt op med brugen, hvis du registrerer noget unormalt.
 4. Hvis du kommer til at tabe eller støde til støvsugeren, skal du omhyggeligt efterse den for revner eller anden beskadigelse inden brugen.
 5. Hold den på god afstand af ovne og andre varmekilder.
 6. Undlad at blokere ind sugningsåbningen eller ventilationshullerne.

GEM DENNE BRUGSANVISNING.

Vigtige sikkerhedsinstruktioner for akkuen

1. Læs alle instruktioner og advarselmærkater på (1) akku-opladeren, (2) akkuen og (3) produktet, som anvender akku.
2. Adskil eller ændr ikke akkuen. Det kan muligvis resultere i en brand, overdreven varme eller eksplosion.
3. Hold straks op med anvendelsen, hvis brugstiden er blevet stærkt afkortet. Fortsat anvendelse kan resultere i risiko for overophedning, forbrændinger og endog eksplosion.
4. Hvis De har fået elektrolytvæske i øjnene, skal De straks skylle den ud med rent vand og derefter øjeblikkeligt søge lægehjælp. I modsat fald kan De miste synet.
5. Vær påpasselig med ikke at komme til at kortslutte akkuen:
 - (1) Rør ikke ved terminalerne med noget ledende materiale.
 - (2) Undgå at opbevare akkuen i en beholder sammen med andre genstande af metal, for eksempel søm, mønter og lignende.
 - (3) Udsæt ikke akkuen for vand eller regn. Kortslutning af akkuen kan forårsage en kraftig øgning af strømmen, overophedning, mulige forbrændinger og endog værktøjstop.
6. Opbevar og brug ikke maskinen og akkuen på steder, hvor temperaturen muligvis kan nå eller overstige 50 °C.
7. Lad være med at brænde akkuen, selv ikke i tilfælde, hvor den har lidt alvorlig skade eller er fuldstændig udtjent. Akkuen kan eksplodere, hvis man forsøger at brænde den.
8. Slå ikke søm i, skær ikke i, knus, kast, tab ikke akkuen og stød ikke akkuen mod en hård genstand. Sådan adfærd kan muligvis resultere i en brand, overdreven varme eller eksplosion.
9. Anvend ikke en beskadiget akku.
10. De indbyggede litium-ion-batterier er underlagt lovkrav vedrørende farligt gods. Ved kommerciel transport, f.eks. af tredjeparts transportselskaber, skal særlige krav til forpakning og mærkning overholdes.

Ved forberedelse af udstyret til forsendelse skal du kontakte en ekspert i farligt gods. Overhold også eventuel mere detaljeret national lovgivning. Tape eller tildæk åbne kontakter, og pak batteriet på en måde, så det ikke kan flytte sig rundt i pakningen.

11. Når akkuen bortskaftes, skal du fjerne den fra maskinen og bortskaft den på et sikkert sted. Følg de lokale love vedrørende bortskaftelsen af batterier.
12. Brug kun batterierne med de produkter, som Makita specificerer. Hvis batterierne installeres i ikke-kompatible produkter, kan det medføre brand, kraftig varme, eksplosion eller udsivning af elektrolyt.
13. Hvis maskinen ikke skal bruges i længere tid ad gangen, skal du fjerne batteriet fra maskinen.
14. Akkuen kan muligvis under og efter brug være varm, hvilket kan forårsage forbrændinger eller lavtemperaturforbrændinger. Vær påpasselig med håndtering af varme akkuer.
15. Rør ikke terminalen på maskinen straks efter brug, da den bliver varm nok til at forårsage forbrændinger.
16. Sørg for, at spåner, støv eller jord ikke sætter sig fast i akkuens terminaler, huller og riller. Det kan forårsage opvarmning, antændelse, sprængning og funktionsfejl i maskinen eller akkuen, hvilket kan medføre forbrændinger eller personskade.
17. Medmindre maskinen understøtter brugen i nærheden af elektriske højspændingsledninger, skal du ikke anvende akkuen i nærheden af elektriske højspændingsledninger. Det kan muligvis medføre funktionsfejl på eller nedbrud af maskinen eller akkuen.
18. Opbevar batteriet utilgængeligt for børn.

GEM DENNE BRUGSANVISNING.

⚠FORSIGTIG: Brug kun originale batterier fra Makita. Brug af uoriginale Makita-batterier, eller batterier som er blevet ændret, kan muligvis medføre brud på batteriet, hvilket kan forårsage brand, personskade eller beskadigelse. Det ugyldiggør også Makita-garantien for Makita-maskinen og opladeren.

Tips til opnåelse af maksimal akku-levetid

1. Oplad akkuen, inden den er helt afladet. Stop altid værktøjet, og oplad akkuen, hvis De bemærker, at værktøjeffekten er aftagende.
2. Genoplad aldrig en fuldt opladet akku. Overopladning vil afkorte akkuens levetid.
3. Oplad akkuen ved stuetemperatur ved 10 °C - 40 °C. Lad altid en varm akku få tid til at køle af, inden den oplades.
4. Når du ikke anvender akkuen, skal du fjerne den fra maskinen eller opladeren.
5. Oplad akkuen, hvis De ikke skal bruge den i længere tid (mere end seks måneder).

FUNKTIONSBESKRIVELSE

⚠️FORSIGTIG: Sørg altid for at maskinen er slukket, og at akkuen er taget ud, før der udføres justering eller kontrol af funktioner på maskinen.

⚠️FORSIGTIG: Vær påpasselig med ikke at få fingrene i klemme mellem støvsugeren og batteriet som vist på illustrationen, når du sætter batteriet i. Hvis du får fingrene i klemme, kan det medføre personskaade.

► Fig.1

Isætning eller fjernelse af akkuen

⚠️FORSIGTIG: Sluk altid for værktøjet, før De monterer eller fjerner akkuen.

⚠️FORSIGTIG: Hold værktøjet og akkuen fast ved montering eller fjernelse af akkuen. Hvis De ikke holder værktøjet og akkuen fast, kan de glide ud af hænderne på Dem og forårsage beskadigelse af værktøjet og akkuen eller personskaade.

► Fig.2: 1. Rød indikator 2. Knap 3. Akku

Akkuen fjernes ved, at De trækker den ud af værktøjet, idet De skyder knappen på forsiden af akkuen i stilling.

For at montere akkuen skal du justere tungen på akkuen med rillen i huset og skubbe den på plads. Indsæt den hele vejen, indtil den låses på plads med et lille klik. Hvis du kan se den røde indikator, som vist i figuren, er den ikke helt låst.

⚠️FORSIGTIG: Monter altid akkuen helt, indtil den røde indikator ikke længere er synlig. Hvis dette ikke gøres, kan den falde ud af værktøjet ved et uheld, hvorved De selv eller personer i nærheden kan komme til skade.

⚠️FORSIGTIG: Brug ikke magt ved montering af akkuen. Hvis akkuen ikke glider på plads uden problemer, betyder det, at den ikke sættes i på korrekt vis.

Batteribeskyttelsessystem

Maskinen er forsynet med et beskyttelsessystem til maskine/batteri. Systemet afbryder automatisk strømmen til motoren for at forlænge maskinens og batteriets levetid. Maskinen stopper automatisk under driften, hvis maskinen eller batteriet udsættes for et af de følgende forhold.

Overbelastet:

Maskinen/batteriet anvendes på en måde, der får den til at bruge unormalt meget strøm.

Sluk i så fald for maskinen, og stop den anvendelse, der medførte, at maskinen blev overbelastet. Tænd derefter for maskinen for at starte igen.

Hvis maskinen ikke starter, er akkuen overophedet. Lad i så fald akkuen køle af, før du tænder for maskinen igen.

Lav spænding på akkuen:

Den resterende batteriladning er for lav, og maskinen vil ikke fungere. I denne situation skal De fjerne og oplade akkuen.

Beskyttelse mod andre årsager:

Beskyttelsessystemet er også designet til andre årsager, der kan beskadige maskinen og gør det muligt for maskinen at stoppe automatisk. Træf alle følgende foranstaltninger for at fjerne årsagerne, når maskinen midlertidigt er blevet bragt til standsning eller stoppet i drift.

1. Sluk for maskinen, og tænd den igen for at genstarte.
2. Oplad batteriet/batterierne eller udskift det/dem med genopladet/genopladede batteri/batterier.
3. Lad maskinen og batteriet/batterierne køle af.

Hvis der ikke kan findes nogen forbedring ved at gendanne beskyttelsessystemet, skal det lokale Makita-servicecenter kontaktes.

Indikation af den resterende batteriladning

Tryk på kontrolknappen på akkuen for at få vist den resterende batteriladning. Indikatorlampen lyser i nogle sekunder.

► Fig.3: 1. Indikatorlamper 2. Kontrolknap

Indikatorlamper			Resterende ladning
Tændt	Slukket	Blinker	
■ ■ ■ ■			75% til 100%
■ ■ ■ □			50% til 75%
■ ■ □ □			25% til 50%
■ □ □ □			0% til 25%
▬ □ □ □			Genoplad batteriet.
■ ■ □ □			Der er muligvis fejl i batteriet.
□ □ ■ ■			

BEMÆRK: Afhængigt af brugsforholdene og den omgivende temperatur kan indikationen afvige en smule fra den faktiske ladning.

BEMÆRK: Den første indikatorlampe (længst mod venstre) vil blinke, når batteribeskyttelsessystemet aktiveres.

Afbryderbetjening

► Fig.4: 1. Knap til ændring af sugekraft 2. TÆND/SLUK-knap

For at starte støvsugeren skal du blot trykke på TÆND/SLUK-knappen. Tryk på TÆND/SLUK-knappen igen for at slukke. Du kan ændre støvsugerens sugekraft i fire trin ved at trykke på knappen til ændring af sugekraft. Hvert tryk på denne knap gentager tilstanden Stille/ Normal/Høj/Maks. i en cyklus.

Niveau	Indikation	Tilstand
1	☰	Stilletilstand
2	☷	Normal hastighedstilstand
3	☶	Høj hastighedstilstand
4	☵	Maks. hastighedstilstand

BEMÆRK: Du kan ændre sugekraften inden du tænder for støvsugeren.

BEMÆRK: Støvsugeren starter med at fungere med samme sugekraft som den der blev anvendt ved sidste operation.

Tænding af lampen

⚠FORSIGTIG: Kig aldrig direkte på lyskilden. Lad ikke lyset falde i Deres øjne.

For at tænde lampen skal du trykke på knappen til ændring af sugekraft. Lampen slukkes efter cirka 10 sekunder. Når støvsugeren er tændt er lampen tændt. Lampen slukkes cirka 10 sekunder efter støvsugeren slukkes.

BEMÆRK: Når den resterende batteriladning bliver lav begynder lampen at blinke. Timingen, hvormed lampen begynder at blinke, afhænger af temperaturen på arbejdspladsen og akkuens tilstand.

► **Fig.5:** 1. Knap til ændring af sugekraft 2. TÆND/SLUK-knap 3. Lampe

SAMLING

⚠FORSIGTIG: Sørg altid for at maskinen er slukket, og at akkuen er taget ud, før der udføres noget arbejde på maskinen.

Støvpose og papirfilter

Monter enten støvposen eller papirfilteret, før støvsugeren anvendes.

Brug støvstopperen ved monteringen af enten støvposen eller papirfilteret.

Støvposen kan genbruges mange gange ved at tømme den. Papirfilteret er en type til bortskaffelse. Smid hele papirfilteret ud uden at tømme det, når det er fuldt.

BEMÆRKNING: Sådan forhindres det, at der kommer støv ind i motoren:

- Sørg for, at enten støvposen eller papirfilteret er monteret før brugen.
- Sæt støvstopperen sammen med støvposen eller papirfilteret hele vejen ind i åbningerne, når de monteres.
- Anvend ikke en beskadiget eller flået pose.

Ellers kan motoren gå i stykker.

BEMÆRKNING: Fold ikke pappet ved åbningen, når papirfilteret monteres.

BEMÆRKNING: Smid aldrig støvstopperen væk, da den skal bruges flere gange, når du anvender enten støvposen eller papirfilteret.

BEMÆRKNING: Papirfilteret til støvsugeren er en vigtig komponent for at opretholde maskinens ydelse. Brug af andet end det ægte papirfilter kan medføre røgdvikling eller antænding.

BEMÆRK: Når støvposen eller papirfilteret ikke er installeret i støvsugeren, kan frontdækslet ikke lukkes helt tæt.

► **Fig.6**

Montering af støvpose

Brug støvstopperen ved monteringen af støvposen. Vær forsigtig med ikke at tage fejl af oversiden og undersiden ved en fejltagelse, da de er forskellige fra hinanden.

► **Fig.7:** 1. Oversiden af støvstopperen 2. Undersiden af støvstopperen

1. Sæt støvposens fremspring ind i den nederste rille på støvstopperen som vist på figuren.

► **Fig.8:** 1. Støvstopper 2. Nederste rille 3. Støvpose

Der er ikke forskel mellem over- og undersiderne af støvposen. Du kan indsætte fremspringet på begge sider i den nederste rille på støvstopperen.

► **Fig.9:** 1. Nederste rille

2. Lad rammen på støvstopperen overlape med rammen på støvposen.

► **Fig.10**

3. Sæt støvstopperen og støvposen sammen ind i hulrummet i støvsugeren i retningen af pilen på støvstopperen. Sæt dem hele vejen ind i åbningerne i hulrummet i støvsugeren.

► **Fig.11**

4. Spred stofdelen af støvposen inde i støvsugeren.

► **Fig.12**

5. Luk frontdækslet helt.

► **Fig.13:** 1. Frontdæksel

Montering af papirfilteret

Brug støvstopperen ved monteringen af papirfilteret. Vær forsigtig med ikke at tage fejl af oversiden og undersiden ved en fejltagelse, da de er forskellige fra hinanden.

► **Fig.14:** 1. Oversiden af støvstopperen 2. Undersiden af støvstopperen

1. Fold indgangen på papirfilteret ud, før det sættes på støvstopperen.

► **Fig.15**

2. Sæt fremspringet på papirfilteret i den nederste rille på støvstopperen som vist på figuren.

► **Fig.16:** 1. Støvstopper 2. Nederste rille 3. Papirfilter

Der er ikke forskel mellem over- og undersiderne af papirfilteret. Du kan indsætte fremspringet på en vilkårlig side i den nederste rille på støvstopperen.

► **Fig.17:** 1. Nederste rille

3. Lad rammen på støvstopperen overlape med rammen på papirfilteret.

► **Fig.18**

4. Sæt støvstopperen og papirfilteret sammen ind i hulrummet i støvsugeren i retningen af pilen på støvstopperen. Sæt dem hele vejen ind i åbningerne i hulrummet i støvsugeren.

► **Fig.19**

5. Spred papirfilterets beholderdel inde i støvsugeren.

► **Fig.20**

6. Luk frontdækslet helt.

► **Fig.21:** 1. Frontdæksel

ANVENDELSE

⚠️FORSIGTIG: Hold dit ansigt på afstand af ventilationsåbningen, når du bruger støvsugeren. Hvis der blæses fremmedlegemer ind i øjnene, kan det medføre personskade.

Montering og afmontering af støvsugertilbehør

⚠️FORSIGTIG: Når du har monteret tilbehøret, skal du kontrollere, om det er monteret forsvarligt. Hvis tilbehøret er monteret ufuldstændigt, kan det løse sig og forårsage personskade.

⚠️FORSIGTIG: Vær forsigtig med ikke at ramme hånden på væggen osv., når du afmonterer tilbehøret.

Ved brug af tilbehør med låsefunktion

For at montere tilbehøret skal du sætte det ind i støvsugerens sugeåbning, indtil det klikker. Sørg for, at tilbehøret er låst.

► **Fig.22:** 1. Sugeåbning 2. Tilbehør med låsefunktion 3. Krog

BEMÆRKNING: Når du monterer tilbehøret med låsefunktion, skal du sørge for at justere udløserknappen på støvsugeren med krogen på tilbehøret. Hvis de ikke er justeret, vil tilbehøret ikke blive låst og kan løsne sig fra støvsugeren.

For at fjerne det skal du trække i tilbehøret, idet du trykker på udløserknappen.

► **Fig.23:** 1. Udløserknap 2. Tilbehør med låsefunktion

Når du bruger tilbehør uden låsefunktion

BEMÆRKNING: For at tilslutte tilbehøret uden låsefunktion skal det drejes og indsættes forsvarligt i støvsugerens sugeåbning. For at frakoble tilbehøret skal det trækkes væk, mens det drejes.

► **Fig.24**

Rengøring (sugning)

Mundstykke

Sæt mundstykket på for at rengøre borde, skriveborde, møbler og lignende. Mundstykket glider let på.

► **Fig.25:** 1. Mundstykke

Mundstykke + Forlængerstav (lige rør)

Forlængerstaven sættes ind mellem mundstykket og selve støvsugeren. Dette arrangement er praktisk ved rengøring af et gulv i stående stilling.

► **Fig.26:** 1. Støvsugerkabinat 2. Forlængerstav 3. Mundstykke

Hjørnemundestykke

Monter hjørnemundstykket til rengøring af hjørner og kroge i en bil eller møbler.

► **Fig.27:** 1. Hjørnemundestykke 2. Støvsugerkabinat

Du kan opbevare hjørnemundstykket i dyseholderen.

► **Fig.28:** 1. Dyseholder 2. Hjørnemundestykke

⚠️FORSIGTIG: Pas på ikke at klemme fingren (fingrene) mellem hjørnemundstykket og dyseholderen. En finger (fingre), som kommer i klemme, kan forårsage personskade.

Hjørnemundestykke + forlængerstav (lige rør)

Anvend dette arrangement på trange steder, hvor selve støvsugeren ikke kan komme ind, eller på højtliggende steder, hvor det er svært at nå op.

► **Fig.29:** 1. Hjørnemundestykke 2. Forlængerstav 3. Støvsugerkabinat

Rengøring uden mundstykke

Det er muligt at opsamle pulver og støv uden et mundstykke.

► **Fig.30**

Til opsugning af støv på et gulv i stående position er det praktisk at fastgøre forlængerstaven (lige rør) til støvsugeren.

► **Fig.31:** 1. Forlængerstav (lige rør)

Bortskaffelse af støv

⚠️FORSIGTIG: Tøm støvsugeren, inden den bliver for fuld, ellers formindskes sugekraften.

⚠️FORSIGTIG: Pas på ikke at få fingrene i klemme, når du lukker frontdækslet.

BEMÆRKNING: Smid aldrig støvstopperen væk, da den skal bruges, når du anvender enten støvposen eller papirfilteret.

BEMÆRKNING: Når støvposen/papirfilteret ikke er inde i støvsugeren, kan frontdækslet ikke lukkes helt tæt. Undlad at bruge magt for at lukke frontdækslet. Det kan medføre, at maskinen bliver deformet eller går i stykker.

BEMÆRKNING: Ved bortskaffelse af støv skal du også rengøre rummet til støvposen/papirfilteret. Det resterende støv og snavs i rummet kan medføre, at svampefilteret blive tilstoppet, eller at motoren bliver beskadiget.

1. Tryk på knappen for at åbne frontdækslet. Når det åbnes, indtil der høres et klik, muliggør det et fast stop i den position.

► **Fig.32:** 1. Frontdæksel 2. Knap

2. Træk både den orange støvstopper og støvposen/papirfilteret ud samtidig.

► **Fig.33:** 1. Støvstopper

3. Følg nedenstående fremgangsmåde, afhængigt af støvbeholdertypen:

Ved brug af støvposen

Fjern støvstopperen, og tøm støvposen.

► **Fig.34:** 1. Støvstopper 2. Støvpose

Ved brug af papirfilteret

Fjern støvstopperen, og bortskaf papirfilteret.

► **Fig.35:** 1. Støvstopper 2. Papirfilter

4. Sæt støvposen/nyt papirfilter og støvstopper sammen i støvsugeren, og luk frontdækslet.

BEMÆRK: Støvsugeren er fremstillet på en sådan måde, at frontdækslet går af, hvis man forsøger at tvinge frontdækslet til at åbnes i en vinkel på mere end 90°. Hvis frontdækslet går af, indsættes det i frontdækselsamlingen.

► **Fig.36:** 1. Frontdæksel 2. Frontdækselsamling

VEDLIGEHOLDELSE

⚠FORSIGTIG: Vær altid sikker på, at værktøjet er slukket, og at akkuen er taget ud, inden De begynder at udføre inspektion eller vedligeholdelse.

For at opretholde produktets SIKKERHED og PÅLIDELIGHED må reparationer, enhver anden vedligeholdelse eller justering kun udføres af et autoriseret Makita servicecenter eller fabrikkSERVICECENTER med anvendelse af Makita reservedele.

Efter brugen

⚠FORSIGTIG: Hvis støvsugeren stilles op ad væggen uden nogen anden støtte, kan det medføre, at støvsugeren vælter, hvilket kan medføre personskade eller beskadigelse af støvsugeren.

► **Fig.37**

Rengøring

⚠FORSIGTIG: Rens støvposer og filtre, når de bliver tilstoppet. Fortsat brug i tilstoppet tilstand kan resultere i ophedning eller brand.

BEMÆRKNING: Anvend aldrig benzin, rensebenzin, fortynder, alkohol og lignende. Det kan medføre misfarvning, deformation eller revner.

BEMÆRKNING: Undlad at blæse støv, der sidder fast på støvsugeren og filtrene, ved hjælp af en luftblæser. Det blæser støv ind i kabinettet og forårsager fejl.

BEMÆRKNING: Efter vask af støvposer og svampefiltre skal de tørres grundigt før brug. Utilstrækkeligt tørrede filtre kan forårsage dårlig sugning og forkorte motorens levetid.

BEMÆRKNING: Efter rengøring af støvposer og svampefiltre skal du sørge for at genmontere dem før brug. Hvis du bruger støvsugeren uden støvposer og svampefiltre, kommer der støv ind i motorhuset og forårsager funktionsfejl.

Støvsugerkabinnet

Aftør fra tid til anden ydersiden (støvsugerkabinettet) af støvsugeren med en klud, som er fugtet med sæbevand.

Rengør også sugeåbningen, støvposens/papirfilterets monteringsdel og støvstopperen.

► **Fig.38**

Støvpose

Vask støvposen med sæbevand, hvis den er tilstoppet af støv, og støvsugerens kraft er svag. Tør det grundigt inden ibrugtagning. Et utilstrækkeligt tørret filter kan give dårlig sugning og afkorte motorens levetid.

► **Fig.39**

BEMÆRK: Papirfilteret er en type til bortskaffelse.

Støvstopper

Tør støv af støvstopperen.

Fjern støv og snavs på svampedelen ved at trykke let på den.

► **Fig.40:** 1. Svampedel

Afmontering og montering af svampefilteret

⚠FORSIGTIG: Sørg for at montere svampefilteret i støvsugeren, efter at du har rengjort det. Hvis det er blevet vasket i vand, skal det tørres før monteringen. Et utilstrækkeligt tørret svampefilter kan afkorte motorens levetid.

Når svampefilteret er tilstoppet med støv, skal det tages ud af støvsugeren og derefter aftørres eller vaskes i vand.

For at fjerne svampefilteret skal du fjerne støvposen eller papirfilteret og derefter knibe sammen og tage svampefilteret ud.

► **Fig.41:** 1. Svampefilter

Tryk hele kanten af svampefilteret mod den forsænkede væg inde i monteringsområdet for støvposen/papirfilteret.

► **Fig.42:** 1. Forsænket væg

Vægmontering til akku støvsuger

Ekstraudstyr

BEMÆRK: Skruen til montering af holderen medfølger ikke. Hav en skrue klar, der passer til det materiale, den skal skrues ind i.

Fastgør vægmonteringen til akku støvsugeren på en hård trævæg, en bjælke eller søjle, hvor vægmonteringen til akku støvsugeren kan fastgøres forsvarligt. Sørg altid for, at vægmonteringen til akku støvsugeren er fastgjort forsvarligt, før du hænger støvsugeren op.

► **Fig.43:** 1. Vægmontering til akku støvsuger

⚠FORSIGTIG: Undlad at hænge støvsugeren voldsomt op på vægmonteringen eller at ophænge andre apparater end støvsugeren.

Fejlfinding

Tjek følgende punkter, før du beder om reparation.

Symptom	Område, der skal undersøges	Reparationsmetode
Svag sugekraft	Er støvposen eller papirfilteret fyldt med støv?	Tøm støvposen eller papirfilteret.
	Er støvposen eller svampefilteret tilstoppet?	Afstøv eller vask støvposen og svampefilteret.
	Er papirfilteret tilstoppet?	Udskift papirfilteret.
	Er akkuen afladet?	Oplad akkuen.
Virker ikke	Er akkuen afladet?	Oplad akkuen.
Unormal støj og vibrationer kommer ud	Er støvposen eller svampefilteret tilstoppet?	Afstøv eller vask støvposen og svampefilteret.
	Er papirfilteret tilstoppet?	Udskift papirfilteret.
	Er der noget, der blokerer åbninger eller huller?	Rens eventuelt støv og genstande ud af mundstykker, rør og luftåbninger.
	Er sugeåbningen til mundstykket eller røret lukket?	Afdæk og åbn sugeåbningen på mundstykket og røret.
Dæksel til støvbakke lukker ikke	Er støvposen eller papirfilteret indsat?	Indsæt støvposen eller papirfilteret.

⚠ FORSIGTIG: Forsøg ikke selv at reparere støvsugeren.

EKSTRAUDSTYR

⚠ FORSIGTIG: Det følgende tilbehør og ekstraudstyr er anbefalet til brug med Deres Makita maskine, der er beskrevet i denne brugsanvisning. Anvendelse af andet tilbehør eller ekstraudstyr kan udgøre en risiko for personskade. Anvend kun tilbehør og ekstraudstyr til det beskrevne formål.

Hvis De behøver hjælp ved valg af tilbehør eller ønsker yderligere informationer, bedes De kontakte Deres lokale Makita servicecenter.

- Forlængerstav (lige rør)
- Mundstykke
- Tæppemundstykke
- Børste til hylder
- Hjørnemundstykke
- Rund børste
- Fleksibel slange
- Støvpose
- Papirfilter
- Frit mundstykke
- Møbelmundstykke
- Revnemundstykke
- Vægmontering til akku støvsuger
- Hvirveltilbehør
- Værktøjpose
- Original Makita-akku og oplader

BEMÆRK: Nogle ting på denne liste kan være inkluderet i værktøjspakken som standardtilbehør. Det kan være forskellige fra land til land.

Hvirveltilbehør

► **Fig.44:** 1. Udløserknop 2. Krog 3. Forlængerstav (lige rør) 4. Hvirveltilbehør 5. Sugeåbning

Om hvirveltilbehøret

Brug af støvsugeren med hvirveltilbehøret monteret reducerer mængden af støv, som trænger ind i støvposen, hvilket hjælper med til at forhindre sugekraften i at svækkes. Endvidere er rengøring efter brug også nem.

⚠ FORSIGTIG: Sørg altid for at maskinen er slukket, og at akkuen er taget ud, før der udføres noget arbejde på maskinen. Hvis akkuen forbliver isat, kan støvsugeren muligvis starte uventet og medføre tilskadekomst.

⚠ FORSIGTIG: Rengør trådsien i hvirveltilbehøret og støvposen i støvsugerenheden, når de bliver tilstoppet. Fortsat brug i den tilstoppede tilstand kan muligvis resultere i ophedning eller røg.

BEMÆRKNING: Når hvirveltilbehøret er monteret, skal du ikke anvende støvsugeren i den vandlede eller opadvendte tilstand. Dette kan medføre, at trådsien tilstoppes.

BEMÆRKNING: Brug altid støvsugeren med støvposen monteret, selv når du anvender hvirveltilbehøret. Brug af støvsugeren uden støvposen monteret kan muligvis resultere i en motorfunktionsfejl.

BEMÆRK: Kontroller, at hvirveltilbehøret, støvsugerens og forlængerstaven (lige rør) er låst korrekt før brug.

BEMÆRK: Tøm støvbakken i hvirveltilbehøret og støvposen i støvsugerens, når der er ophobet støv. Fortsat brug vil resultere i svækket sugekraft.

BEMÆRK: Du kan også anvende hvirveltilbehøret uden låsefunktion.

BEMÆRK: For at montere eller afmontere hvirveltilbehøret, se afsnittet "Montering og afmontering af støvsugertilbehør".

Bortskaffelse af støv

Når der er ophobet støv op til fuld-linjen i støvbakken, skal du følge proceduren nedenfor og bortskaffe støvet.

1. Hold godt fast i støvbakken, tryk og hold på de to knapper og fjern støvbakken.

► **Fig.45:** 1. Fuld-linje 2. Støvbakke 3. Knap (to steder) 4. Trådsi

2. Bortskaf støvet inde i støvbakken og fjern alt støv og pulver, som sidder fast på overfladen af trådsien.

3. Sæt støvbakken helt ind indtil de to knapper låses med et klik.

► **Fig.46:** 1. Støvbakke 2. Knap (to steder)

⚠FORSIGTIG: Når du samler støvbakken igen, skal du sørge for ikke at klemme fingrene.

BEMÆRK: Kontroller, at hvirveltilbehøret, støvsugerens og forlængerstaven (lige rør) er låst korrekt, før du genstarter anvendelsen.

BEMÆRK: Hvis sugekraften ikke genoprettes, selv efter bortskaffelse af støvet og rengøring af trådsien, skal du kontrollere, om der er ophobet støv i støvposen i støvsugerens, eller der er opstået tilstopning.

BEMÆRK: Støvet kan flyve op, når hvirveltilbehøret bortskaffes. Pas på ikke at få støv i øjnene.

Rengøring

⚠FORSIGTIG: Efter vask af hvirveltilbehøret skal det tørres grundigt før brug. Utilstrækkeligt tørrede komponenter kan forårsage elektrisk stød eller beskadigelse af apparatet.

Når støvbakken bliver beskidt, eller trådsien er tilstoppet, skal du fjerne og vaske dem med vand. (Se "Bortskaffelse af støv" angående fjernelsesproceduren.)

Tør delene grundigt inden genmontering og ibrugtagning.

► **Fig.47:** 1. Støvbakke 2. Trådsi

Når trådsien bliver meget beskidt, skal du rengøre den vha. de følgende procedurer.

1. Drej trådsien mod uret og fjern den, mens krogene ikke er låst.

► **Fig.48:** 1. Trådsi 2. Krog

2. Fjern støvet på trådsien og vask den derefter med vand. Tør den omhyggeligt efter dette.

3. Sæt trådsien ind i basen mens krogene er rettet ind med åbningen. Drej trådsien med uret indtil krogene låses med et klik. Sørg for, at trådsien er monteret forsvarligt.

► **Fig.49:** 1. Trådsi 2. Krog 3. Åbning

BRĪDINĀJUMS

- Šo ierīci drīkst izmantot bērni no 8 gadu vecuma un personas ar samazinātām fiziskām, maņu vai psihiskām spējām, vai kam trūkst pieredzes un zināšanu, ja tām nodrošināta uzraudzība un sniegti norādījumi par ierīces drošu izmantošanu un ja ir izprasti saistītie apdraudējumi.
- Bērni nedrīkst spēlēties ar ierīci. Ierīces tīrīšanu un apkopi nedrīkst veikt neuzraudzīti bērni.
- Lai uzzinātu akumulatora tipu, skatiet nodaļu „TEHNISKIE DATI”.
- Lai uzzinātu, kā uzstādīt vai izņemt akumulatoru, skatiet sadaļu „Akumulatora kasetnes uzstādīšana un izņemšana”.
- Lai utilizētu akumulatora kasetni, izņemiet to no darbarīka un likvidējiet drošā vietā. Ievērojiet vietējos noteikumus par akumulatoru likvidēšanu.
- Ja darbarīks netiks lietots ilgu laiku, no tā jāizņem akumulators.
- Neradiet akumulatora kasetnes īssavienojumu.
- Informāciju par atbilstošiem piesardzības pasākumiem apkopes darbu laikā skatiet nodaļā „APKOPE”.

SPECIFIKĀCIJAS

Modelis:		CL002G
Tilpums	ar putekļu filtru	500 mL
	ar papīra filtru	330 mL
Nepārtraukta lietošana (ar akumulatoru BL4025)	1 (klusais režīms)	Aptuv. 80 min
	2 (parasta ātruma režīms)	Aptuv. 40 min
	3 (liela darbības ātruma režīms)	Aptuv. 25 min
	4 (maks. darbības ātruma režīms)	Aptuv. 16 min
Kopējais garums (ar cauruli, uzgali un akumulatoru BL4025)		1 066 mm
Nominālais spriegums		Līdzstrāva 36 V–40 V maks.
Neto svars		1,8–2,4 kg

- Nepārtrauktās izpētes un izstrādes programmas dēļ šeit uzrādītās specifikācijas var tikt mainītas bez brīdinājuma.
- Atkarībā no valsts specifikācijas var atšķirties.
- Svarā nav iekļauti piederumi, bet tikai akumulatora kasetne(-es). Vieglākais un smagākais ierīces un akumulatora kasetnes(-ņu) kopējais svars ir norādīts tabulā.

Piemērotā akumulatora kasetne un lādētājs

Akumulatora kasetne	BL4020* / BL4025* / BL4040* / BL4050F *: leteicamais akumulators
Lādētājs	DC40RA / DC40RB / DC40RC

- Daži no iepriekš norādītajiem lādētājiem un akumulatora kasetnēm var nebūt pieejami atkarībā no jūsu mītnes reģiona.

⚠ BRĪDINĀJUMS: Izmantojiet vienīgi iepriekš norādītās akumulatora kasetnes un lādētājus. Cita tipa akumulatora kasetņu un lādētāju izmantošana var radīt traumu un/vai aizdegšanās risku.

Simboli



Šim izstrādājumam ir piemērots parauga akumulators.

Tālāk ir attēloti simboli, kas var attiekties uz darbarīka lietošanu. Pirms darbarīka izmantošanas pārliecinieties, vai pareizi izprotat to nozīmi.



Izlasiet lietošanas rokasgrāmatu.



Tikai ES valstīm
Tā kā šajā aprīkojumā ir bīstamas sastāvdaļas, elektrisko un elektronisko iekārtu, akumulatoru un bateriju atkritumi var negatīvi ietekmēt apkārtējo vidi un cilvēka veselību. Elektroierīces, elektroniskās ierīces un akumulatorus nedrīkst izmest kopā ar mājsaimniecības atkritumiem!
Saskaņā ar Eiropas direktīvu par elektrisko un elektronisko iekārtu atkritumiem, akumulatoriem un baterijām, kā arī akumulatoru un bateriju atkritumiem un šīs direktīvas pielgošanu valsts tiesību aktiem elektrisko un elektronisko iekārtu, bateriju un akumulatoru atkritumi ir jāglabā atsevišķi un jānogādā uz sadzīves atkritumu dalītās savākšanas vietu, ievērojot attiecīgos vides aizsardzības noteikumus. Par to liecina uz iekārtas redzams simbols ar pārsvītrotu atkritumu konteineru uz rīļiem.

Paredzētā lietošana

Šis darbarīks ir paredzēts sausu putekļu savākšanai.

DROŠĪBAS BRĪDINĀJUMI

Drošības brīdinājumi attiecībā uz bezvadu tīrītāju

▲BRĪDINĀJUMS: SVARĪGI! PIRMS LIETOŠANAS UZMANĪGI IZLASIET visus drošības brīdinājumus un visus norādījumus. Brīdinājumu un norādījumu neievērošanas gadījumā var rasties elektrot trauma, aizdegšanās un/vai smagas traumas.

1. Neatstājiet lietū. Uzglabājiet telpās.
2. Neļaujiet izmantot kā rotaļlietu. Īpaša uzmanība jāpievērš, kad darbarīku izmanto bērni vai tas tiek izmantots bērnu tuvumā.
3. Izmantojiet tikai tā, kā norādīts šajā rokasgrāmatā. Lietojiet tikai darbarīka ražotāja ieteiktās papildierīces.
4. Neizmantojiet ar bojātu akumulatoru. Ja ierīce nedarbojas, kā paredzēts, tikusi nomesta, ir bojāta, atstāta ārpus telpām vai iemesta ūdenī, nogādājiet to apkopes centrā.
5. Nelietojiet ierīci ar mitrām rokām.
6. Neievietojiet tās atverēs priekšmetus. Nelietojiet ierīci, ja nosprostota kāda no atverēm — tajās nedrīkst būt putekļu, plūksnu, matu un citu svešķermeņu, kas var ierobežot gaisa plūsmu.
7. Netuviniet matus, vaļiņu apģērbu, pirkstus un ķermeņa daļas atverēm un kustīgajām daļām.
8. Pirms akumulatora izņemšanas izslēdziet visas vadības ierīces.
9. Īpaši uzmanieties, tīrot uz kāpnēm.
10. Neizmantojiet viegli uzliesmojošu vai ugunsnedrošu šķidrumu, piemēram, benzīna savākšanai, kā arī nelietojiet ierīci vietās, kur šādi šķidrumi var būt.
11. Uzlādei izmantojiet tikai ražotāja nodrošināto lādētāju.
12. Neizmantojiet degošu vai dūmojošu priekšmetu, piemēram, cigarešu, sūkociņu vai karstu pelnu savākšanai.

13. Nelietojiet ierīci, ja nav uzstādīts putekļu maiss un/vai filtrs.
14. Nelādējiet akumulatoru ārpus telpām.
15. Uzlādei izmantojiet tikai ražotāja norādītos lādētājus. Vienam akumulatoru tipam paredzēta lādētāja izmantošana cita tipa akumulatoru uzlādei var radīt aizdegšanās draudus.
16. Ierīču lādēšanai izmantojiet tikai tāms paredzētos akumulatorus. Cita tipa akumulatoru izmantošana var radīt traumu un aizdegšanās risku.
17. Ja akumulatora bloku neizmantojat, novietojiet to drošā attālumā no metāla priekšmetiem, piemēram, saspraudēm, monētām, atslēgām, naglām, skrūvēm un citiem nelieliem metāla priekšmetiem, kas var savienot spailas.
18. Nepareizas lietošanas gadījumā no akumulatora var izteciēt šķidrums; nepieskarieties tam. Ja nejausi pieskārties šķidrumam, skarto vietu noskalojiet ar ūdeni.
19. Ja akumulators vai ierīce ir bojāti vai pārveidoti, nelietojiet to. Bojāti vai pārveidoti akumulatori var darboties nepareizi un izraisīt aizdegšanos, sprādzieni vai traumu.
20. Nepakļaujiet akumulatora bloku un ierīci uguns un pārmērīgi augstas temperatūras iedarbībai. Uguns vai temperatūra virs 130 °C var izraisīt sprādzienu.
21. Ievērojiet visus lādēšanas norādījumus un nelādējiet akumulatoru vai ierīci, ja temperatūra pārsniedz norādīto diapazonu. Nepareiza uzlāde vai temperatūra ārpus noteiktā diapazona var sabojāt akumulatoru un palielināt aizdegšanās risku.

SAGLABĀJIET ŠOS NORĀDĪJUMUS.

PAPILDU DROŠĪBAS NOTEIKUMI

Šī ierīce ir paredzēta lietošanai mājsaimniecībā.

1. Pirms lietošanas rūpīgi izlasiet šo rokasgrāmatu un lādētāja rokasgrāmatu.
 2. Nevāciet šeit nosauktos materiālus.
 - Karstus priekšmetus, piemēram, aizdedgas cigaretes vai dzirksteles/metāla putekļus, kas radušies metāla slīpēšanas/ zāģēšanas laikā.
 - Ugunsnedrošas vielas, piemēram, benzīnu, šķīdinātāju, petroleju vai krāsu.
 - Sprādzienbīstamas vielas, piemēram, nitroglicerīnu.
 - Uzliesmojošu materiālus, piemēram, alumīniju, cinku, magniju, titānu, fosforu vai celuloīdu.
 - Mitrus neīrūmus, ūdeni, eļļu vai līdzīgas vielas.
 - Cietus priekšmetus ar asām malām, piemēram, koka skaidas, metāla gabalus, akmeņus, stiklu, naglas, saspraudes vai žiletas.
 - Pulveri, kas satur, piemēram, cementu vai toneri.
 - Vadītspējīgus putekļus, piemēram, metāla vai oglekļa putekļus.
 - Sīkas daļiņas, piemēram, betona putekļus.
- Šāda rīcība var izraisīt aizdegšanos, traumas un/vai materiālos zaudējumus.

3. Nekavējoties pārtrauciet darbu, ja ievērojat novirzes no normas.
4. Ja tīrītāju nometat vai tas citādi saņem triecienu, pirms tā darbināšanas rūpīgi pārbaudiet, vai tīrītājam nav plaisu vai bojājumu.
5. Nelietojiet to krāsns vai citu karstuma avotu tuvumā.
6. Nenobloķējiet iepildes atveri un ventilācijas atveres.

SAGLABĀJIET ŠOS NORĀDĪJUMUS.

Svarīgi drošības norādījumi par akumulatora kasetni

1. Pirms akumulatora lietošanas izlasiet visus norādījumus un brīdinājumus, kuri attiecas uz (1) akumulatora lādētāju, (2) akumulatoru un (3) ierīci, kurā tiek izmantots akumulators.
2. Akumulatora kasetni nedrīkst ne pārveidot, ne izjaukt. Citādi var tikt izraisīta aizdegšanās, pārmērīgs karstums vai sprādziens.
3. Ja akumulatora darbības laiks kļūva ievērojami īsāks, nekavējoties pārtrauciet to izmantot. Citādi, tas var izraisīt pārkarsējumu, uzliesmojumu vai pat sprādzienu.
4. Ja elektrolīts nonāk acīs, izskalojiet tās ar tīru ūdens un nekavējoties griežieties pie ārsta. Tas var izraisīt redzes zaudēšanu.
5. Neradiet īssavienojumu akumulatora kasetnē:
 - (1) Nepieskarieties spaiļēm ar elektrību vadošiem materiāliem.
 - (2) Neuzglabājiet akumulatoru kasetni kopā ar citiem metāla priekšmetiem, tādiem kā naglas, monētas u. c.
 - (3) Nepakļaujiet akumulatora kasetni ūdens vai lietus iedarbībai.
6. Neglabājiet un neizmantojiet darbarīku un akumulatora kasetni vietās, kur temperatūra var sasniegt vai pārsniegt 50 °C (122 °F).
7. Nededziniet akumulatora kasetni, pat ja tā ir stipri bojāta vai pilnībā nolietota. Akumulatora kasetne ugunī var eksplodēt.
8. Akumulatora kasetni nedrīkst naglot, griezt, saspīst, mest vai nomet, kā arī pa to nedrīkst sist ar cietu priekšmetu. Šādas darbības var izraisīt aizdegšanos, pārmērīgu karstumu vai sprādzienu.
9. Neizmantojiet bojātu akumulatoru.
10. Uz izmantotajiem litija jonu akumulatoriem attiecas likumdošanas prasības par bīstamiem izstrādājumiem.

Komerציālā transportēšanā, ko veic, piemēram, trešās puses, transporta uzņēmumi, jāievēro uz iesaiņojuma un marķējuma norādītās īpašās prasības. Lai izstrādājumu sagatavotu nosūtīšanai, jāsažinās ar bīstamo materiālu speciālistu. Ievērojiet arī citus attiecināmos valsts normatīvus. Valējus kontaktus nosedziet ar līmlenti vai citādi pārklājiet, bet akumulatoru iesaiņojiet tā, lai sainītas nevarētu izkustēties.

11. Lai utilizētu akumulatora kasetni, izņemiet to no darbarīka un likvidējiet drošā vietā. Ievērojiet vietējos noteikumus par akumulatora likvidēšanu.
12. Izmantojiet šos akumulatorus tikai ar izstrādājumiem, kurus norādījis Makita. Ievietojot šos akumulatorus nesaderīgos izstrādājumos, var rasties ugunsgrēks, pārmērīgs karstums, tie var uzsprāgt vai no tiem var iztecēt elektrolīts.
13. Ja darbarīks netiks lietots ilgu laiku, no tā jāizņem akumulators.
14. Lietošanas laikā vai pēc tās akumulatora kasetne var uzkrāt siltumu, kas var izraisīt apdegumus vai zemas temperatūras apdegumus. Ar karstu akumulatora kasetni apejieties rūpīgi.
15. Nepieskarieties darbarīka izvadam uzreiz pēc lietošanas, jo tas var būt sakarsis un izraisīt apdegumus.
16. Neļaujiet akumulatora kasetnes spaiļēs, atverēs un rievās uzkrāties skaidām, putekļiem vai netīrumiem. Tas var izraisīt sasilšanu, aizdegšanos, sprādzienu instrumenta vai akumulatora kasetnes nepareizu darbību, un lietotājs var gūt apdegumus vai ievainojumus.
17. Neizmantojiet akumulatora kasetni augstsprieguma līniju tuvumā, izņemot gadījumus, kad darbarīks ir piemērots lietošanai augstsprieguma līniju tuvumā. Citādi darbarīks vai akumulatora kasetne var sākt darboties nepareizi vai tikt sabojāti.
18. Glabājiet akumulatoru bērniem nepieejamā vietā.

SAGLABĀJIET ŠOS NORĀDĪJUMUS.

▲UZMANĪBU: Lietojiet tikai oriģinālos Makita akumulatorus. Ja lietojat neoriģinālus Makita akumulatorus vai pārveidotus akumulatorus, tie var uzsprāgt un izraisīt aizdegšanos, traumas un materiālos zaudējumus. Tīks anulēta arī Makita darbarīka un lādētāja garantija.

Ieteikumi akumulatora kalpošanas laika pagarināšanai

1. Uzlādējiet akumulatora kasetni, pirms tā ir pilnībā izlādējusies. Vienmēr, kad ievērojat, ka darbarīka darba jauda zudusi, apturiet darbarīku un uzlādējiet akumulatora kasetni.
2. Nekad neuzlādējiet pilnībā uzlādētu akumulatora kasetni. Pārmērīga uzlāde saīsina akumulatora kalpošanas laiku.
3. Uzlādējiet akumulatora kasetni istabas temperatūrā 10 °C - 40 °C. Karstai akumulatora kasetnei pirms uzlādes ļaujiet atdzist.
4. Kad akumulatora kasetne netiek izmantota, izņemiet to no darbarīka vai lādētāja.
5. Uzlādējiet litija jonu akumulatora kasetni, ja to ilgstoši nelietosit (vairāk nekā sešus mēnešus).

FUNKCIJU APRAKSTS

⚠UZMANĪBU: Pirms darbarīka regulēšanas vai tā darbības pārbaudes vienmēr pārlicinieties, ka darbarīks ir izslēgts un akumulatora kasetne ir izņemta.

⚠UZMANĪBU: Uzmaniēties, lai, ievietojot akumulatoru, pirksts(-i) nenokļūtu starp tīrītāju un akumulatoru, kā parādīts attēlā. Iespēstus pirkstus var traumēt.

► Att.1

Akumulatora kasetnes uzstādīšana un izņemšana

⚠UZMANĪBU: Vienmēr pirms akumulatora kasetnes uzstādīšanas vai noņemšanas izslēdziet darbarīku.

⚠UZMANĪBU: Uzstādot vai izņemot akumulatora kasetni, darbarīku un akumulatora kasetni turiet cieši. Ja darbarīku un akumulatora kasetni netur cieši, tie var izkrist no rokām un radīt bojājumus darbarīkam un akumulatora kasetnei, kā arī izraisīt ievainojumus.

► Att.2: 1. Sarkanās krāsas indikators 2. Poga 3. Akumulatora kasetne

Lai izņemtu akumulatora kasetni, izvelciet to no darbarīka, pārbindot kasetnes priekšpusē esošo pogu.

Lai uzstādītu akumulatora kasetni, salāgojiet akumulatora kasetnes mēlīti ar rievu ietvarā un iebīdīet to vietā. Ievietojiet to līdz galam, līdz tā ar klikšķi nofiksējas. Ja redzams attēlā parādītās sarkanās krāsas indikators, tas nozīmē, ka tas nav pilnīgi nofiksēts.

⚠UZMANĪBU: Vienmēr ievietojiet akumulatora kasetni tā, lai sarkanais indikators nebūtu redzams. Pretējā gadījumā tā var nejauši izkrist no darbarīka un izraisīt jums vai apkārtējiem traumas.

⚠UZMANĪBU: Neievietojiet akumulatora kasetni ar spēku. Ja kasetne neslīd ietvarā viegli, tā nav pareizi ielikta.

Akumulatora aizsardzības sistēma

Darbarīkam ir darbarīka/akumulatora aizsardzības sistēma. Šī sistēma automātiski izslēdz motora barošanu, lai pagarinātu darbarīka un akumulatora darbību. Darbarīka darbība tiks automātiski apturēta, ja darbarīku vai akumulatoru pakļaus kādam no tālāk norādītajiem apstākļiem.

Pārslodze:

Darbarīku/akumulatoru ekspluatācijas laikā lieto tādā veidā, ka tam vajadzīgs pārmērīgi liels strāvas daudzums.

Šādā gadījumā izslēdziet darbarīku un pārtrauciet darbarīka pārslodzi izraisījušo darbu. Tad ieslēdziet darbarīku, lai atsāktu darbu.

Ja darbarīks neieslēdzas, akumulators ir pārkarsis. Šādā gadījumā ļaujiet akumulatoram atdzist pirms atkārtotas darbarīka ieslēgšanas.

Zems akumulatora spriegums:

Akumulatora atlikusī jauda ir pārāk zema, un darbarīks nedarbošies. Šādā gadījumā noņemiet akumulatoru un uzlādējiet.

Aizsardzība pret citiem cēloņiem

Aizsardzības sistēma ir paredzēta arī pret citiem cēloņiem, kas varētu radīt darbarīka bojājumus, un nodrošina automātisku darbarīka apturēšanu. Ja darbarīka darbība ir īslaicīgi apturēta vai tas pārstājis darboties, veiciet visas tālāk norādītās darbības, lai novērstu cēloņus.




















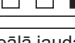



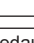
1. Izslēdziet un atkal ieslēdziet darbarīku, lai to atkārtoti iedarbinātu.
2. Uzlādējiet akumulatoru(-s) vai nomainiet to(-s) ar uzlādētu(-iem) akumulatoru(-iem).
3. Ļaujiet darbarīkam un akumulatoram(-iem) atdzist.

Ja pēc aizsardzības sistēmas atjaunošanas nav uzlabojumu, sazinieties ar vietējo Makita tehnikās apkopes centru.

Atlikušās akumulatora jaudas indikators

Nospiediet akumulatora kasetnes pārbaudes pogu, lai pārbaudītu akumulatora atlikušo uzlādes līmeni. Indikatori iedegsies uz dažām sekundēm.

► Att.3: 1. Indikatora lampas 2. Pārbaudes poga

Indikatora lampas			Atlikusī jauda
 Iededzies	 Izslēgts	 Mirgo	
			No 75% līdz 100%
			No 50% līdz 75%
			No 25% līdz 50%
			No 0% līdz 25%
			Uzlādējiet akumulatoru.
 	 	 	Iespējama akumulatora kļūme.





PIEZĪME: Reālā jauda var nedaudz atšķirties no norādītās atkarībā no lietošanas apstākļiem un apkārtējās temperatūras.

PIEZĪME: Akumulatora aizsardzības sistēmas darbības laikā mirgo pirmais (kreisais malējais) indikators.

Slēdža darbība

- **Att.4:** 1. Sūkšanas jaudas maiņas poga 2. IESL./IZSL. poga

Lai ieslēgtu tīrītāju, nospiediet IESL./IZSL. pogu. Lai izslēgtu tīrītāju, vēlreiz nospiediet IESL./IZSL. pogu. Varat mainīt tīrītāja sūkšanas jaudu četrās pakāpēs, spiežot sūkšanas jaudas maiņas pogu. Katra šīs pogas nospiešana pārslēdz klusā/parasta ātruma/liela ātruma/maks. darbības ātruma režīmu norādītajā secībā.

Līmenis	Indikators	Režīms
1		Klusais režīms
2		Parasta ātruma režīms
3		Liela ātruma režīms
4		Maks. darbības ātruma režīms

PIEZĪME: Varat mainīt sūkšanas jaudu pirms tīrītāja ieslēgšanas.

PIEZĪME: Ieslēdzot tīrītāju, tiek izmantota tāda pati jauda, kāda tika izmantota iepriekšējās ekspluatācijas laikā.

Lampas ieslēgšana

⚠UZMANĪBU: Neskatieties gaismā, neļaujiet tās avotam iespīdēt acīs.

Lai ieslēgtu lampu, nospiediet sūkšanas jaudas maiņas pogu. Lampa nodziest pēc aptuveni 10 sekundēm. Kamēr tīrītājs ir ieslēgts, lampa deg. Lampa nodziest aptuveni 10 sekundes pēc tīrītāja izslēgšanas.

PIEZĪME: Kad atlikusī akumulatora jauda ir maza, lampa sāk mirgot. Laiks, kad tieši lampa sāk mirgot, ir atkarīgs no temperatūras darba vietā un akumulatora kasetnes stāvokļa.

- **Att.5:** 1. Sūkšanas jaudas maiņas poga 2. IESL./IZSL. poga 3. Lampa

MONTĀŽA

⚠UZMANĪBU: Pirms darbarīka regulēšanas vai apkopes vienmēr pārlicinieties, ka darbarīks ir izslēgts un akumulatora kasetne ir izņemta.

Putekļu maiss un papīra filtrs

Pirms tīrītāja lietošanas uzstādiet putekļu maisu vai papīra filtru. Kad uzstādāt putekļu maisu vai papīra filtru, izmantojiet putekļu aizturi. Putekļu maisu pēc iztīrīšanas var izmantot atkārtoti. Papīra filtrs ir vienreiz lietojams. Kad papīra filtrs ir pilns, izmetiet to neiztukšotu.

IEVĒRĪBAI: Lai putekļi neiekļūtu motorā, rīkojieties pēc šiem norādījumiem.

- Pirms lietošanas pārlicinieties, ka ir uzstādīts putekļu maiss vai papīra filtrs.
- Uzstādot putekļu aizturi kopā ar putekļu maisu vai papīra filtru, atverš to ievietojiet līdz galam.
- Nelietojiet bojātu vai saplēstu filtra maisu.

Lietojot bojātu maisu, var sabojāt motoru.

IEVĒRĪBAI: Uzstādot papīra filtru, nesalokiet kartonu pie tā atveres.

IEVĒRĪBAI: Neizmetiet putekļu aizturi, jo tas jāizmanto vienmēr, kad tiek lietots putekļu maiss vai papīra filtrs.

IEVĒRĪBAI: Papīra filtrs ir svarīga tīrītāja sastāvdaļa, kas nepieciešama darbarīka veikspējai. Ja izmantosit neoriģinālo papīra filtru, ierīce var dūmot vai aizdegties.

PIEZĪME: Ja putekļsūcējā nav ievietots putekļu maiss vai papīra filtrs, nevar pilnībā aizvērt priekšējo pārsegu.

- **Att.6**

Putekļu maisa uzstādīšana

Uzstādot putekļu maisu, izmantojiet putekļu aizturi. Uzmanieties, lai kļūdas dēļ nesajauktu apakšpusi ar augšpusi, jo tās atšķiras viena no otras.

- **Att.7:** 1. Putekļu aiztura augšpuse 2. Putekļu aiztura apakšpuse

1. Putekļu maisa izvirkājumu ievietojiet putekļu aiztura apakšējā rievā, kā parādīts attēlā.

- **Att.8:** 1. Putekļu aizturis 2. Apakšējā rievā 3. Putekļu maiss

Putekļu maisa apakšējā un augšējā daļa ir identiska. Šo izvirkājumu putekļu aiztura apakšējā rievā varat ievietot no jebkuras puses.

- **Att.9:** 1. Apakšējā rievā

2. Pāri putekļu aiztura ietvaram uzlieciet putekļu maisa ietvaru.

- **Att.10**

3. Putekļu aizturi ar putekļu maisu tīrītāja nodalījumā ielieciet tādā pašā bulīņas virzienā, kāds norādīts uz putekļu aiztura. Šīs detaļas līdz galam ievietojiet tīrītāja nodalījuma atverēs.

- **Att.11**

4. Izklājiet putekļsūcējā putekļu maisa auduma daļu.

- **Att.12**

5. Pilnībā aizveriet priekšējo pārsegu.

- **Att.13:** 1. Priekšējais pārsegs

Papīra filtra uzstādīšana

Putekļu aizturi izmantojiet arī tad, kad liekat papīra filtru. Uzmanieties, lai kļūdas dēļ nesajauktu apakšpusi ar augšpusi, jo tās atšķiras viena no otras.

- **Att.14:** 1. Putekļu aiztura augšpuse 2. Putekļu aiztura apakšpuse

1. Pirms papīra filtra uzstādīšanas uz putekļu aiztura atveriet papīra filtra ieeju.

- **Att.15**

2. Papīra filtra izvirkzījumu ievietojiet putekļu aiztura apakšējā rievā, kā parādīts attēlā.

- **Att.16:** 1. Putekļu aizturis 2. Apakšējā rievā 3. Papīra filtrs

Papīra filtra apakšējā un augšējā daļa ir identiskas. Šo izvirkzījumu putekļu aiztura apakšējā rievā iespējams ievietot no jebkuras puses.

- **Att.17:** 1. Apakšējā rievā

3. Putekļu aiztura ietvaru uzlieciet pāri papīra filtra ietvaram.

- **Att.18**

4. Putekļu aizturi ar papīra filtru tīrītāja nodalījumā ielieciet tādā pašā bultiņas virzienā, kāds norādīts uz putekļu aiztura. Šīs detaļas līdz galam ievietojiet tīrītāja nodalījuma atverēs.

- **Att.19**

5. Izklājiet putekļsūcējā papīra filtra maisa daļu.

- **Att.20**

6. Pilnībā aizveriet priekšējo pārsegu.

- **Att.21:** 1. Priekšējais pārsegs

EKSPLUATĀCIJA

⚠UZMANĪBU: Kad putekļsūcējs ir ieslēgts, gādājiet, lai jūsu seja nebūtu ventilācijas atveres tuvumā. Ja svešķermeņi tiks iepūsti acīs, var rasties traumas.

Putekļsūcēja piederumu uzstādīšana un noņemšana

⚠UZMANĪBU: Kad piederumi uzstādīti, pārbaudiet, vai tie ir stingri piestiprināti. Ja piederumi ir nepareizi uzstādīti, tie var atvienoties un radīt traumas.

⚠UZMANĪBU: Atvienojiet piederumu uzmanīgi, lai nesasistu roku pret sienu vai citiem priekšmetiem.

Piederums ar bloķēšanas funkciju – izmantošana

Lai uzstādītu piederumu, ievietojiet to putekļsūcēja iesūkšanas atverē, līdz tā nofiksējas vietā. Pārbaudiet, vai piederums ir nofiksēts.

- **Att.22:** 1. Iesūkšanas atvere 2. Piederums ar bloķēšanas funkciju 3. Aķis

IEVĒRĪBAI: Uzstādot piederumu ar bloķēšanas funkciju, gādājiet, lai putekļsūcēja atlaišanas poga būtu savietota ar piederuma aķi. Ja detaļas nav pareizi savietotas, piederums nefiksējas un var atvienoties no putekļsūcēja.

Lai atvienotu piederumu, velciet to, vienlaikus turot nospiestu atlaišanas pogu.

- **Att.23:** 1. Atlaišanas poga 2. Piederums ar bloķēšanas funkciju

Piederums bez bloķēšanas funkcijas – izmantošana

IEVĒRĪBAI: Lai pievienotu piederumu bez bloķēšanas funkcijas, pagriežot stingri ievietojiet to putekļsūcēja iesūkšanas atverē. Lai atvienotu piederumu, pagriežot velciet to uz āru.

- **Att.24**

Tīrīšana (iesūkšana)

Uzgalis

Piestipriniet uzgali, lai notīrītu galdus, solus, mēbeles u. c. Uzgali piestiprināt ir vienkārši.

- **Att.25:** 1. Uzgalis

Uzgalis un pagarinājuma caurule (taisna caurule)

Pagarinājuma caurule iestiprināma starp uzgali un tīrītāju. Šis izkārtojums ir ērts grīdas tīrīšanai stāvus pozīcijā.

- **Att.26:** 1. Tīrītāja korpus 2. Pagarinājuma caurule 3. Uzgalis

Stūru uzgalis

Stūru uzgali izmantojiet stūru un automobiļa vai mēbeļu iedobumu tīrīšanai.

- **Att.27:** 1. Stūru uzgalis 2. Tīrītāja korpus

Stūru uzgali var glabāt uzgaļa turētājā.

- **Att.28:** 1. Uzgaļa turētājs 2. Stūru uzgalis

⚠UZMANĪBU: Uzmanieties, lai pirksts(-i) neiekļūst starp stūru uzgali un uzgaļa turētāju. Iespiežot pirkstus, tie var tikt traumēti.

Stūru uzgalis un pagarinājuma caurule (taisna caurule)

Izmantojiet šo konfigurāciju, lai iztīrītu stūrus, kur nav iespējams piekļūt ar tīrītāju, vai augstas, grūti aizsniedzamas vietas.

- **Att.29:** 1. Stūru uzgalis 2. Pagarinājuma caurule 3. Tīrītāja korpus

Tīrīšana bez uzgaļa

Pulveri un putekļus var savākt bez uzgaļa.

- **Att.30**

Lai būtu ērtāk tīrīt putekļus no grīdas stāvus pozīcijā, tīrītājam var pievienot pagarinājuma cauruli (taisno cauruli).

- **Att.31:** 1. Pagarinājuma caurule (taisna caurule)

Atbrīvošanās no putekļiem

⚠UZMANĪBU: Tīrītāju iztukšojiet pirms tā pārildes, jo vājinās iesūkšana.

⚠UZMANĪBU: Aizverot priekšējo pārsegu, neiespiediet pirkstus.

IEVĒRĪBAI: Nekādā gadījumā neizmetiet putekļu aizturi, jo tas jāizmanto vienmēr, kad tiek lietots putekļu maiss vai papīra filtrs.

IEVĒRĪBAI: Ja putekļsūcējā nav ievietots putekļu maiss/papīra filtrs, nevar pilnībā aizvērt priekšējo pārsegu. Nemēģiniet ar spēku aizvērt priekšējo pārsegu. Šādi var deformēt vai salauzt darbarīku.

IEVĒRĪBAI: Kad atbrīvojaties no putekļiem, neaizmirstiet iztīrīt arī putekļu maisa/papīra filtra nodalījumu. Nodalījumā palikušie putekļi var izraisīt sūkļa filtra aizsprostošanos vai motora bojājumus.

1. Nospiediet pogu, lai atvērtu priekšējo pārsegu. Atveriet to, līdz atskan klikšķis — šajā stāvoklī tiek nodrošināta fiksēta aizture.
▶ **Att.32:** 1. Priekšējais pārsegs 2. Poga
2. Vienlaikus izvelciet gan oranžo putekļu aizturi, gan putekļu maisu/papīra filtru.
▶ **Att.33:** 1. Putekļu aizturis
3. Veiciet tālāk norādītās darbības, ņemot vērā putekļu maisa veidu.

Izmantojot putekļu maisu

Izņemiet putekļu aizturi un iztukšojiet putekļu maisu.

▶ **Att.34:** 1. Putekļu aizturis 2. Putekļu maiss

Izmantojot papīra filtru

Izņemiet putekļu aizturi un atbrīvojieties no papīra filtra.

▶ **Att.35:** 1. Putekļu aizturis 2. Papīra filtrs

4. Ievietojiet putekļsūcējā gan putekļu maisu/papīra filtru, gan putekļu aizturi un aizveriet priekšējo pārsegu.

PIEZĪME: Tīrītājs konstruēts tā, lai priekšējais pārsegs atdalītos, ja to mēģina ar spēku atvērt leņķī, kas lielāks par 90°. Ja priekšējais pārsegs atdalās, ievietojiet to atpakaļ priekšējā pārsega savienojumā.

▶ **Att.36:** 1. Priekšējais pārsegs 2. Priekšējā pārsega savienojums

APKOPE

⚠UZMANĪBU: Pirms darbarīka pārbaudes vai apkopes vienmēr pārliecinieties, ka darbarīks ir izslēgts un akumulatora kasetne ir izņemta.

Lai saglabātu izstrādājuma DROŠU un UZTICAMU darbību, remontdarbus, apkopi un regulēšanu uzticiet veikt tikai Makita pilnvarotam vai rūpnīcas apkopes centram un vienmēr izmantojiet tikai Makita rezerves daļas.

Pēc lietošanas

⚠UZMANĪBU: Ja tīrītāju novieto pie sienas bez papildu balsta, tas var nokrist, radot traumas vai bojājot pašu tīrītāju.

▶ **Att.37**

Tīrīšana

⚠UZMANĪBU: Iztīriet putekļu maisus un filtrus, ja tie aizsprostojas. Izmantojot putekļsūcēju ar aizsprostotu filtru vai putekļu maisu, putekļsūcējs var uzkarst vai pat aizdegties.

IEVĒRĪBAI: Nekad neizmantojiet gāzoliņu, benzīnu, atšķaidītāju, spirtu vai līdzīgus šķidrumus. Tas var radīt izbalēšanu, deformāciju vai plaisas.

IEVĒRĪBAI: Putekļus, kas pieķērušies tīrītājam un filtriem, neizpūstiet ar gaisa pistoli. Tādējādi putekļi iekļūst korpusā un izraisa darbības traucējumus.

IEVĒRĪBAI: Ja putekļu maisi un sūkļa filtri ir mazgāti, pirms lietošanas rūpīgi tos izžāvējiet. Nepietiekami izžāvēti filtri var pasliktināt iesūci un saīsināt motora darbību.

IEVĒRĪBAI: Ja putekļu maisi un sūkļa filtri ir izņemti tīrīšanai, pirms lietošanas tie ir jāuzstāda atpakaļ. Ja izmanto putekļsūcēju bez putekļu maisiem un sūkļa filtra, putekļi iekļūst motora korpusā un rada darbības traucējumus.

Tīrītāja korpus

Tīrītāja ārpusi (korpusu) ik pa laikam notīriet ar ziepjuūdeni samitrinātā drānā.

Iztīriet arī iesūces atveri, putekļu maisa/papīra filtra stiprinājuma vietu un putekļu aizturi.

▶ **Att.38**

Putekļu maiss

Izmazgājiet ziepjuūdenī putekļu maisu, kad tas ir aizsprostojies un tīrītāja jauda pasliktinās. Pirms lietošanas rūpīgi nožāvējiet. Nepietiekami nožāvēts filtrs var pasliktināt iesūci un saīsināt motora darbību.

▶ **Att.39**

PIEZĪME: Papīra filtrs ir vienreiz lietojams.

Putekļu aizturis

Noslaukiet putekļus no putekļu aiztura.

Nokratiet putekļus un neīrumus no sūkļa daļas, viegli pasītot pa to.

▶ **Att.40:** 1. Sūkļa daļa

Sūkļa filtra izņemšana un uzstādīšana

⚠UZMANĪBU: Pēc sūkļa filtra iztīrīšanas neaizmirstiet to ievietot tīrītājā. Ja filtru mazgājat ūdenī, pirms ievietošanas nosusiniet to. Ja sūkļa filtra nav pietiekami sauss, var saīsināties motora darbību.

Ja sūkļa filtrs ir aizsērējis ar putekļiem, izņemiet to no tīrītāja un izslaukiet vai izmazgājiet ūdenī.

Lai izņemtu sūkļa filtru, izņemiet putekļu maisu vai papīra filtru, tad spiediet sūkļa filtru un izņemiet to.

▶ **Att.41:** 1. Sūkļa filtrs

Visu sūkļa filtra malu piespiediet pret iedziļināto sienu putekļu maisa/papīra filtra stiprinājuma vietā.

▶ **Att.42:** 1. Iedziļinātā siena

Bezvadu tīrītāja sienas stiprinājums

Papildu piederumi

PIEZĪME: Komplektā nav iekļauta skrūve turētāja piestiprināšanai. Sagādājiet skrūvi, kas piemērota materiālam, pie kura grasāties piestiprināt turētāju.

Bezvadu tīrītāja sienas stiprinājumu pieskrūvējiet pie izturīgas koka sienas, sijas vai statņa, lai varētu cieši piestiprināt bezvadu tīrītāja sienas stiprinājumu. Pirms tīrītāja pakarināšanas pārliecinieties, ka bezvadu tīrītāja sienas stiprinājums ir cieši piestiprināts.

▶ **Att.43:** 1. Bezvadu tīrītāja sienas stiprinājums

⚠UZMANĪBU: Nekariniet tīrītāju uz sienas stiprinājuma nevīžīgi (uzmetot vai ar spēku) un nekariniet uz turētāja citus priekšmetus.

Kļūmju novēršana

Pirms vienoties par ierīces remontu, izvērtējiet šādas iespējas.

Pazīme	Pārbaudāmā daļa	Risinājums
Maza iesūkšanas jauda	Vai putekļu maiss vai papīra filtrs nav pilns ar putekļiem?	Iztukšojiet putekļu maisu vai papīra filtru.
	Vai putekļu maiss vai sūkļa filtrs nav aizsprostojies?	Atbrīvojiet putekļu maisu un sūkļa filtru no putekļiem vai izmazgājiet tos.
	Vai papīra filtrs nav aizsērējis?	Nomainiet papīra filtru.
	Vai akumulatora kasetne nav izlādējusies?	Uzlādējiet akumulatora kasetni.
Nedarbojas	Vai akumulatora kasetne nav izlādējusies?	Uzlādējiet akumulatora kasetni.
Rodas neparasts troksnis un vibrācija	Vai putekļu maiss vai sūkļa filtrs nav aizsprostojies?	Atbrīvojiet putekļu maisu un sūkļa filtru no putekļiem vai izmazgājiet tos.
	Vai papīra filtrs nav aizsērējis?	Nomainiet papīra filtru.
	Vai kaut kas neaizsprosto atveres vai caurumus?	Iztīriet visus putekļus un priekšmetus no uzgaļiem, caurulēm un gaisa atverēm.
	Vai nav aizvērta uzgaļa vai caurules iesūkšanas atvere?	Atbrīvojiet un atveriet uzgaļa un caurules iesūkšanas atveri.
Putekļu nodalījuma pārsegu nevar aizvērt	Vai putekļu maiss vai papīra filtrs ir ievietots?	Ievietojiet putekļu maisu vai papīra filtru.

⚠UZMANĪBU: Nemēģiniet tīrītāju remontēt patstāvīgi.

PAPILDU PIEDERUMI

⚠UZMANĪBU: Šādi piederumi un papildierīces tiek ieteiktas lietošanai ar šajā rokasgrāmatā aprakstīto Makita darbarīku. Izmantojot citus piederumus vai papildierīces, var tikt radīta trauma gūšanas bīstamība. Piederumu vai papildierīci izmantojiet tikai paredzētajam mērķim.

Ja jums vajadzīga palīdzība vai precīzāka informācija par šiem piederumiem, vērsieties savā tuvākajā Makita apkopes centrā.

- Pagarinājuma caurule (taisna caurule)
- Uzgalis
- Uzgalis paklājam
- Plauktu suka
- Stūru uzgalis
- Apaļā suka

- Lokanā šļūtene
- Putekļu maiss
- Papīra filtrs
- Brīvais uzgalis
- Stiprinājuma uzgalis
- Spraugu uzgalis
- Bezvadu tīrītāja sienas stiprinājums
- Piederums "Cyclone"
- Instrumentu somiņa
- Makita oriģinālais akumulators un lādētājs

PIEZĪME: Daži sarakstā norādītie izstrādājumi var būt iekļauti instrumenta komplektācijā kā standarta piederumi. Tie dažādās valstīs var būt atšķirīgi.

Piederums "Cyclone"

- **Att.44:** 1. Atlaišanas poga 2. Āķis 3. Pagarinājuma caurule (taisna caurule) 4. Piederums "Cyclone" 5. Iesūkšanas atvere

Par piederumu "Cyclone"

Izmantojot putekļsūcēju ar uzstādītu piederumu "Cyclone", putekļu maisā iekļūst mazāk putekļu, tādējādi novēršot sūkšanas jaudas mazināšanos. Turklāt arī tīrīšana pēc putekļsūcēja izmantošanas ir viegla.

⚠UZMANĪBU: Pirms darbarīka regulēšanas vai apkopes vienmēr pārliecinieties, ka darbarīks ir izslēgts un akumulatora kasetne ir izņemta. Ja akumulatora kasetne ir palikusi putekļsūcējā, tas var negaidīti sākt darboties un radīt traumas.

⚠UZMANĪBU: Iztīriet piederuma "Cyclone" sieta filtru un putekļsūcēja putekļu maisu, tiklīdz tie aizsprostojas. Izmantojot putekļsūcēju ar aizsprostotu filtru vai putekļu maisu, putekļsūcējs var uzkarst, vai no tā var izdalīties dūmi.

IEVĒRĪBAI: Kad ir uzstādīts piederums "Cyclone", neizmantojiet putekļsūcēju horizontālā pozīcijā vai vērstu augšup. Citādi var aizsprostoties sieta filtrs.

IEVĒRĪBAI: Putekļsūcēju jāizmanto tikai kopā ar putekļu maisu pat tad, ja ir uzstādīts piederums "Cyclone". Izmantojot putekļsūcēju bez putekļu maisa, var rasties motora darbības traucējumi.

PIEZĪME: Pirms izmantojat putekļsūcēju, gādājiet, lai piederums "Cyclone", putekļsūcējs un pagarinājuma caurule (taisna caurule) būtu kārtīgi sastiprināti.

PIEZĪME: Iztukšojiet piederuma "Cyclone" putekļu tvertni un putekļsūcēja putekļu maisu, kad tajos ir sakrājušies putekļi. Turpinot izmantot putekļsūcēju šādā stāvoklī, samazināsies tā sūkšanas jauda.

PIEZĪME: Piederumu "Cyclone" varat izmantot arī bez bloķēšanas funkcijas.

PIEZĪME: Lai uzzinātu, kā uzstādīt vai atvienot piederumu "Cyclone", skatiet sadaļu "Putekļsūcēja piederumu uzstādīšana un atvienošana".

Putekļu izmešana

Kad putekļi ir sasnieguši pilnas putekļu tvertnes atzīmi, veiciet tālāk norādītās darbības un izmetiet putekļus.

1. Stingri turiet putekļu tvertni, turiet nospiestas abas tvertnes pogas un atvienojiet putekļu tvertni.

► **Att.45:** 1. Pilnas tvertnes atzīme 2. Putekļu tvertne 3. Poga (divās vietās) 4. Sieta filtrs

2. Iztukšojiet putekļu tvertni un notīriet pie sieta filtra pielīpušos putekļus un pulverveida daļiņas.

3. Līdz galam ievietojiet putekļu tvertni tā, lai divas pogas ar klikšķi nofiksētos savās vietās.

► **Att.46:** 1. Putekļu tvertne 2. Poga (divās vietās)

⚠UZMANĪBU: Saliekot atpakaļ putekļu nodalījumu, uzmanieties, lai neiespiestu pirkstus.

PIEZĪME: Pirms atsākat putekļsūcēja izmantošanu, pārliecinieties, vai piederums "Cyclone", putekļsūcējs un pagarinājuma caurule (taisna caurule) ir kārtīgi sastiprināti.

PIEZĪME: Ja sūkšanas jauda neatjaunojas pat pēc putekļu izmešanas un sieta filtra notīrīšanas, pārbaudiet, vai putekļsūcējā putekļu maisā nav sakrājušies vai sasprūduši putekļi.

PIEZĪME: Tīrot piederumu "Cyclone", gaisā var pacelties putekļi. Gādājiet, lai acis neiekļūtu putekļi.

Tīrīšana

⚠UZMANĪBU: Pēc piederuma "Cyclone" mazgāšanas rūpīgi to izžāvējiet pirms lietošanas. Nepietiekami izžāvētas daļas var izraisīt strāvas triecienu vai ierīces bojājumus.

Tiklīdz putekļu tvertne ir piesārņojusies vai sieta filtrs ir aizsprostojies, noņemiet un nomazgājiet tos ar ūdeni. (Lai uzzinātu, kā tos noņemt, skatiet sadaļu "Putekļu izmešana".)

Pirms atkal piestiprināt un sākat izmantot detaļas, kārtīgi nožāvējiet tās.

► **Att.47:** 1. Putekļu tvertne 2. Sieta filtrs

Kad sieta filtrs ir pamatīgi piesārņojies, notīriet to, veicot tālāk norādītās darbības.

1. Grieziet sieta filtru pretēji pulksteņrādītāju kustības virzienam un atvienojiet to, kad āķi ir atbloķēti.

► **Att.48:** 1. Sieta filtrs 2. Āķis

2. Notīriet putekļus no sieta filtra un noskalojiet to ar ūdeni. Pēc tam kārtīgi to nožāvējiet.

3. Ievietojiet sieta filtru tvertnes pamatnē, raugoties, lai āķi būtu savietoti ar attiecīgo atveri. Grieziet sieta filtru pulksteņrādītāju kustības virzienā, līdz brīdim, kad āķi ar klikšķi nofiksējas savās vietās. Gādājiet, lai sieta filtrs būtu cieši piestiprināts.

► **Att.49:** 1. Sieta filtrs 2. Āķis 3. Pievienošanas vieta

ĮSPĖJIMAS

- Šį prietaisą leidžiama naudoti vaikams nuo 8 metų amžiaus ir asmenims, turintiems psichinių, jutiminių ar protinių negalių, arba žmonėms, neturintiems patirties bei žinių, su sąlyga, kad jie bus prižiūrimi arba instruktuojami apie tai, kaip saugiai naudoti šį prietaisą, ir supras atitinkamus pavojus.
- Neleiskite vaikams žaisti šiuo prietaisu. Be suaugusiųjų priežiūros vaikams draudžiama valyti ir techniškai prižiūrėti šį prietaisą.
- Akumulatoriaus tipą rasite nurodytą skyriuje „TECHNINĖS SĄLYGOS“.
- Kaip išimti ar įdėti akumuliatorių, skaitykite skyriuje „Akumulatoriaus kasetės įdėjimas ar išėmimas“.
- Kai išmetate akumulatoriaus kasetę, išimkite ją iš įrankio ir išmeskite saugioje vietoje. Vadovaukitės vietos reglamentais dėl akumuliatorių išmetimo.
- Jei įrankis bus ilgą laiką nenaudojamas, akumuliatorių būtina išimti iš įrankio.
- Nesudarykite akumulatoriaus kasetėje trumpojo jungimo.
- Atitinkamą informaciją apie atsargumo priemones atliekant naudotojui techninės priežiūros darbus rasite skyriuje „TECHNINĖ PRIEŽIŪRA“.

SPECIFIKACIJOS

Modelis:		CL002G
Pajėgumas	Su dulkių maišeliu	500 mL
	Su popieriniu filtru	330 mL
Nepertraukiamas naudojimas (su akumulatoriumi BL4025)	1 (tylus režimas)	Maždaug 80 min.
	2 (įprasto greičio režimas)	Maždaug 40 min.
	3 (didelio greičio režimas)	Maždaug 25 min.
	4 (maksimalaus greičio režimas)	Maždaug 16 min.
Bendrasis ilgis (su vamzdžiu, antgaliu ir akumulatoriumi BL4025)		1 066 mm
Vardinė įtampa		Nuol. sr. maks. 36 V–40 V
Grynasis svoris		1,8 – 2,4 kg

- Atliekame tęsinius tyrimus ir nuolatos tobuliname savo gaminius, todėl čia pateikiamos specifikacijos gali būti keičiamos be įspėjimo.
- Skirtingose šalyse specifikacijos gali skirtis.
- Svoris nurodytas be priedų, tačiau įskaičiuojant akumulatoriaus kasetę (-es). Mažiausias ir didžiausias prietaiso ir akumulatoriaus kasetės (-ių) svoris nurodyti lentelėje.

Tinkama akumulatoriaus kasetė ir (arba) įkroviklis

Akumulatoriaus kasetė	BL4020* / BL4025* / BL4040* / BL4050F *: rekomenduojamas akumulatorius
Įkroviklis	DC40RA / DC40RB / DC40RC

- Atsižvelgiant į gyvenamosios vietos regioną, kai kurios pirmiau nurodytos akumulatoriaus kasetės ir įkrovikliai gali būti neprieinami.

⚠️ ĮSPĖJIMAS: Naudokite tik akumulatoriaus kasetes ir įkroviklius, kurie nurodyti anksčiau. Naudojant bet kurias kitas akumulatoriaus kasetes ir įkroviklius, gali kilti sužeidimo ir gaisro pavojus.

Simboliai



Šiam gaminiui tinkantis akumulatorius.

Toliau yra nurodyti simboliai, kurie gali būti naudojami įrangai. Prieš naudodami įsitikinkite, kad suprantate jų reikšmę.



Perskaitykite instrukcijų vadovą.



Taikoma tik ES šalimis
Kadangi įrangoje yra pavojingų komponentų, panaudota elektrinė ir elektroninė įranga, akumulatoriai ir baterijos gali turėti neigiamą poveikio aplinkai ir žmonių sveikatai.
Nešalinkite elektros ir elektroninių prietaisų ar baterijų kartu su buitinėmis atliekomis! Pagal Europos direktyvą dėl elektros ir elektroninės įrangos atliekų bei akumuliatorių ir baterijų ir panaudotų akumuliatorių ir baterijų bei jos pritaikymą nacionaliniams įstatymams, panaudota elektros ir elektroninė įranga, baterijos ir akumulatoriai turi būti surenkami atskirai ir pristatomi į atskirą buitinių atliekų surinkimo punktą, kuris veikia pagal aplinkos apsaugos taisykles. Tai rodo perbrauktas konteinerio ant ratukų simbolis, pateiktas ant įrangos.

Numatytoji naudojimo paskirtis

Šis įrankis skirtas sausoms dulkelėms surinkti.

SAUGOS ĮSPĖJIMAI

Saugos įspėjimai dėl belaidžio siurblio naudojimo

ĮSPĖJIMAS: SVARBU: PRIEŠ PRADĖDAMI NAUDOTI, ATIDŽIAI PERSKAITYKITE visus saugos įspėjimus ir nurodymus. Nesilaikydami toliau pateiktų įspėjimų ir instrukcijų, galite patirti elektros smūgį, gaisrą ir (arba) sunkų sužeidimą.

1. Saugokite įrankį nuo lietaus. Laikykite įrankį patalpoje.
2. Neleiskite vaikams naudoti šį gaminį kaip žaislą. Būtina atidžiai stebėti šį gaminį naudojančius vaikus arba jį naudojant šalia vaikų.
3. Naudokite tik taip, kaip aprašyta šiame vadove. Naudokite tik gamintojo rekomenduojamus priedus.
4. Nenaudokite su sugadintu akumuliatoriumi. Jeigu prietaisas veikia netinkamai, buvo numestas, pažeistas, paliktas lauke arba įkritęs į vandenį, atiduokite jį į techninės priežiūros centrą.
5. Nenaudokite prietaiso, jeigu jūsų rankos drėgnos.
6. Nekiškite jokių daiktų į angas. Nenaudokite, jeigu kuri nors anga yra užkimšta; angose neturi būti dulkių, pūkelių, plaukų ir jokių kitų daiktų, kurie galėtų sutrikdyti oro srautą.
7. Plaukus, laisvus drabužius, pirštus ir kitas kūno dalis laikykite kuo toliau nuo angų ir judamųjų dalių.
8. Prieš išimdami akumuliatorių, išjunkite visus valdikius.
9. Būkite itin atsargūs, valydami laiptus.
10. Nenaudokite degiems arba sprogiems skyčiams, pavyzdžiui, gazolinui, surinkti ir nenaudokite tose vietose, kuriose gali būti šių medžiagų.
11. Kraukite tik gamintojo pateiktu krovikliu.
12. Nesiurbkite jokių degančių arba rūkstančių daiktų, pavyzdžiui, cigarečių, degtukų arba karštų pelenų.
13. Nenaudokite neįdėję dulkių maišelio ir (arba) filtrų.
14. Nekraukite akumulatoriaus lauke.

15. Įkraukite naudodami tik gamintojo nurodytą įkroviklį. Įkroviklis, kuris tinka vienam akumuliatorių tipui įkrauti, gali kelti gaisro pavojų, jei bus naudojamas su kitų tipų akumuliatoriais.
16. Prietaisus naudokite tik su specialiai jiems skirtais akumuliatoriais. Naudojant bet kurį kitą akumuliatorių, gali kilti sužeidimo ir gaisro pavojus.
17. Kai akumuliatorių blokas nėra naudojamas, laikykite jį toliau nuo kitų metalinių daiktų, pavyzdžiui, popieriaus sąvaržėlių, monetų, raktų, vinių, varžtų ir kitų mažų metalinių daiktų, dėl kurių gali kilti trumpasis jungimas tarp kontaktų.
18. Netinkamai naudojant iš akumulatoriaus gali ištekėti skysčio. Venkite sąlyčio su juo. Jei sąlytis atsitiktinai įvyko, gausiai nuplaukite vandeniu.
19. Nenaudokite sugedusio ar perdaryto akumulatoriaus arba prietaiso. Sugadinti arba modifikuoti akumuliatoriai gali veikti neįprastai, todėl gali kilti gaisras, sprogimas arba sužalojimo rizika.
20. Akumuliatorių ar prietaisą saugokite nuo ugnies ar pernelyg aukštos temperatūros. Dėl ugnies ar 130 °C viršijančios temperatūros gali kilti sprogimas.
21. Laikykitės visų įkrovimo nurodymų ir nekraukite akumulatoriaus ar prietaiso, kai temperatūra neatitinka instrukcijoje nurodyto temperatūros intervalo. Netinkamai įkraunant arba įkraunant esant kitam, nei nustatytas temperatūros intervalas, gali būti sugadintas akumuliatorius ar padidėti gaisro rizika.

SAUGOKITE ŠIAS INSTRUKCIJAS.

PAPILDOMOS SAUGOS TAISYKLĖS

Šis prietaisas skirtas naudoti tik namų ūkyje.

1. Prieš naudodami įrankį pirmą kartą, įdėdami perskaitykite šias ir įkroviklio vartojimo instrukcijas.
2. Nesiurbkite šių medžiagų:
 - Karštų medžiagų, pavyzdžiui, degančių cigarečių arba kibirkščių / metalo dulkių, susidariusių šlifuojant / pjaunant metalą
 - Degių medžiagų, pavyzdžiui, gazolino, skiediklio, benzino, žibalo arba dažų
 - Sprogių medžiagų, pavyzdžiui, nitroglicerino
 - Degių medžiagų, pavyzdžiui, aliuminio, cinko, magnio, titano, fosforo arba celiulioido
 - Šlapio purvo, vandens, alyvos, tepalo arba panašių medžiagų
 - Kietų daiktų aštriais kraštais, pavyzdžiui, medžio skiedrų, metalų, akmenų, stiklų, vinių, smeigtukų arba skutimo peiliukų
 - Miltelių, kurie gali sukietėti, pavyzdžiui, cemento arba spausdintuvų dažų
 - Laidžių dulkių, pavyzdžiui, metalo arba anglies
 - Smulkių dalelių, pavyzdžiui, betono dulkių

Tokie veiksmai gali sukelti gaisrą, sužeisti ir (arba) padaryti žalos turtui.

3. Pastebėję ką nors neįprasto, tučtuojau nutraukite darbą.
4. Jei numesite ar sutrenksite siurbį, prieš naudojimą atidžiai patikrinkite, ar jis neįskilo ir nesugedo.
5. Nenaudokite įrankio arti viryklės ar kitų šilumos šaltinių.
6. Neužblokuokite įsiurbimo ar ventilacijos angų.

SAUGOKITE ŠIAS INSTRUKCIJAS.

Svarbios saugos instrukcijos, taikomos akumuliatoriaus kasetei

1. Prieš naudodami akumuliatoriaus kasetę, perskaitykite visas instrukcijas ir perspėjimus ant (1) akumuliatorių įkroviklio, (2) akumuliatorių ir (3) akumuliatorių naudojančio gaminio.
2. Neardykite ir negadinkite akumuliatoriaus kasetės. Dėl to ji gali užsidegti, per daug įkaisti arba sprogti.
3. Jei įrankio darbo laikas žymiai sutrumpėjo, nedelsdami nutraukite darbą su įrankiu. Tai gali kelti perkaitimo, nudegimų ar net sprogdimo pavojų.
4. Jei elektrolitas pateko į akis, plaukite jas tyru vandeniu ir nedelsdami kreipkitės į gydytoją. Gali kilti regėjimo praradimo pavojus.
5. Neužtrumpinkite akumuliatoriaus kasetės:
 - (1) Nelieskite kontaktų degiomis medžiagomis.
 - (2) Venkite laikyti akumuliatoriaus kasetę kartu su kitais metaliniais daiktais, pavyzdžiui, vinimis, monetomis ir pan.
 - (3) Saugokite akumuliatoriaus kasetę nuo vandens ir lietaus.

Trumpasis jungimas akumuliatoriuje gali sukelti stiprią srovę, perkaitimą, galimus nudegimus ar net akumuliatoriaus gedimą.

6. Nelaiikykite ir nenaudokite įrankio ir akumuliatoriaus kasetės vietoje, kur temperatūra gali pasiekti ar viršyti 50 °C (122 °F).
7. Nedeginkite akumuliatoriaus kasetės, net jei yra stipriai pažeista ar visiškai susidėvėjusi. Ugnyje akumuliatoriaus kasetė gali sprogti.
8. Akumuliatoriaus kasetės nekalkite, nepjauštykite ir nemėtykite ir taip pat į ją netrankykite kietu daiktu. Taip elgiantis, ji gali užsidegti, per daug įkaisti arba sprogti.
9. Nenaudokite pažeisto akumuliatoriaus.
10. Įdėtoms ličio jonų akumuliatoriams taikomi Pavojingų prekių teisės akto reikalavimai. Komeracinis transportas, pvz., trečiųjų šalių, prekių vežimo atstovų, turi laikytis specialaus reikalavimo ant pakuotės ir ženklavimo. Norėdami paruošti siūstiną prekę, pasitarkite su pavojingų medžiagų specialistu. Be to, laikykitės galimai išsamesnių nacionalinių reglamentų. Užklijuokite juosta arba padenkite atvirus kontaktus ir supakuokite akumuliatorių taip, kad ji pakuotėje nejudėtų.

11. Kai išmetate akumuliatoriaus kasetę, išimkite ją iš įrankio ir išmeskite saugioje vietoje. Vadovaukitės vietos reglamentais dėl akumuliatorių išmetimo.
12. Baterijas naudokite tik su „Makita“ nurodytais gaminiais. Baterijas įdėjus į netinkamus gaminius gali kilti gaisras, gaminyje pernelyg kaisti, kilti sprogimas arba pratekėti elektrolitas.
13. Jei įrankis bus ilgą laiką nenaudojamas, akumuliatorių būtina išimti iš įrankio.
14. Darbo metu ir po akumuliatoriaus kasetės gali būti įkaitusi ir dėl to nudeginti. Imdami akumuliatoriaus kasetes, būkite atsargūs.
15. Tuojau pat po naudojimo nelieskite įrankio gnybtų, nes jie gali būti įkaitę tiek, kad nudegins.
16. Neleiskite, kad į akumuliatoriaus kasetės gnybtus, angas ir griovelius patektų drožlių, dulkių ar žemių. Jos gali sukelti kaitimą, užsidegti, sprogti ir sukelti įrankio ar akumuliatoriaus kasetės gedimą, dėl ko galima nusideginti ar susižaloti.
17. Jeigu įrankis nėra pritaikytas naudoti šalia aukštos įtampos elektros linijų, akumuliatoriaus kasetės nenaudokite šalia aukštos įtampos elektros linijų. Dėl to gali sutrikti įrankio ar akumuliatoriaus kasetės veikimas arba jie gali sugesti.
18. Laikykite akumuliatorių vaikams nepasiekiamoje vietoje.

SAUGOKITE ŠIAS INSTRUKCIJAS.

▲ PERSPĖJIMAS: Naudokite tik originalų „Makita“ akumuliatorių. Neoriginalaus „Makita“ arba pakeisto akumuliatoriaus naudojimas gali nulemti gaisrą, asmens sužalojimą ar pažeidimą. Tai taip pat panaikina „Makita“ suteikiamą „Makita“ įrankio ir įkroviklio garantiją.

Patarimai, ką daryti, kad akumuliatorius veiktų kuo ilgiau

1. Pakraukite akumuliatoriaus kasetę prieš jai visiškai išsikraunant. Visuomet nustokite naudoti įrankį ir pakraukite akumuliatoriaus kasetę, kai pastebite, kad įrankio galia sumažėjo.
2. Niekada nekraukite iki galo įkrautos akumuliatoriaus kasetės. Perkraunant trumpėja akumuliatoriaus eksploatacijos laikas.
3. Akumuliatoriaus kasetę kraukite esant kambario temperatūrai 10 - 40 °C. Prieš pradėdami krauti, leiskite įkaitusiai akumuliatoriaus kasetei atvėsti.
4. Kai akumuliatoriaus kasetės nenaudojate, ją išimkite iš įrankio ar įkroviklio.
5. Įkraukite akumuliatoriaus kasetę, jei jos nenaudojate ilgą laiką (ilgiau nei šešis mėnesius).

VEIKIMO APRAŠYMAS

▲ PERSPĖJIMAS: Prieš pradėdami reguliuoti arba tikrinti įrankio veikimą, visuomet būtinai išjunkite įrankį ir išimkite akumuliatoriaus kasetę.

▲ PERSPĖJIMAS: Įkraudami akumuliatorių, būkite atsargūs, kad jūsų pirštas (-ai) neužstrigtų tarp siurblio ir akumuliatoriaus, kaip parodyta paveikslėlyje. Įstrigus pirštui (-ams), galite susižeisti.

► Pav.1

Akumuliatoriaus kasetės uždėjimas ir nuėmimas

▲ PERSPĖJIMAS: Prieš įdėdami arba išimdami akumuliatoriaus kasetę, visada išjunkite įrankį.

▲ PERSPĖJIMAS: Įdėdami arba išimdami akumuliatoriaus kasetę, tvirtai laikykite įrankį ir akumuliatoriaus kasetę. Jeigu įrankį ir akumuliatoriaus kasetę laikysite netvirtai, jie gali išslysti iš jūsų rankų, todėl įrankis ir akumuliatoriaus kasetė gali būti sugadinti, o naudotojas sužalotas.

► Pav.2: 1. Raudonas sandariklis (indikatorius) 2. Mygtukas 3. Akumuliatoriaus kasetė

Jei norite išimti akumuliatoriaus kasetę, ištraukite ją iš įrankio, stumdami mygtuką, esantį kasetės priekyje.

Jei norite įdėti akumuliatoriaus kasetę, ant akumuliatoriaus kasetės esantį liežuvėlį sutapdinkite su korpuso esančiu grioveliu ir įstumkite į jai skirtą vietą. Įstatykite iki pat galo, kad spragtelėdama užsifiksuotų. Jeigu matote raudoną sandariklį (indikatorių), kaip parodyta paveikslėlyje, ji nėra visiškai užfiksuota.

▲ PERSPĖJIMAS: Akumuliatoriaus kasetę visada įkiškite iki galo, kol nebematysite raudono sandariklio (indikatoriaus) Priešingu atveju ji gali atsitiktinai iškristi iš įrankio ir sužeisti jus arba aplinkinius.

▲ PERSPĖJIMAS: Nekiškite akumuliatoriaus kasetės jėga. Jeigu kasetė sunkiai lenda, ją kišate netinkamai.

Akumuliatoriaus apsaugos sistema

Įrankyje įrengta įrankio / akumuliatoriaus apsaugos sistema. Ši sistema automatiškai atjungia variklio maitinimą, kad įrankis ir akumuliatorius ilgiau veiktų. Įrankis automatiškai išsijungs darbo metu esant vienai iš toliau nurodytų įrankio arba akumuliatorių darbo sąlygų.

Perkrautas:

Įrankis / akumuliatorius naudojamas taip, kad jame neįprastai padidėja elektros srovė. Tokiu atveju atleiskite įrankio gaiduką ir nutraukite darbą, dėl kurio kilo įrankio perkrova. Po to vėl įjunkite įrankį. Jeigu įrankis neįsijungia, reiškia perkaito akumuliatorius. Tokiu atveju palaukite, kol akumuliatorius atvės, paskui vėl galite įjungti įrankį.

Žema akumuliatoriaus įtampa:

Likusi akumuliatoriaus energija per maža ir įrankis negali veikti. Tokiu atveju išimkite akumuliatorių ir įkraukite jį.

Apsaugos dėl kitų priežasčių

Apsaugos sistema taip pat apsaugo nuo kitų priežasčių, galinčių pažeisti įrankį, todėl automatiškai jį išjungia. Įrankiui laikinai sustojus arba veikimo metu išsijungus, imkitės visų toliau nurodytų veiksmų ir pašalinkite to priežastis.

1. Išjunkite įrankį, tada vėl įjunkite, kad paleistumėte iš naujo.
2. Įkraukite akumuliatorių (-ius) arba jį (juos) pakeiskite įkrautu (-ais) akumuliatoriumi (-iais).
3. Palaukite, kol įrankis ir akumuliatorius (-iai) atvės.

Jeį, atkūrus apsaugos sistemą, veikimas nepagerėja, kreipkitės į vietos „Makita“ priežiūros centrą.

Likusios akumuliatoriaus galios rodymas

Paspauskite akumuliatoriaus kasetės tikrinimo mygtuką, kad būtų rodoma likusi akumuliatoriaus energija. Maždaug trims sekundėms užsideds indikatorų lemputės.

► Pav.3: 1. Indikatorių lemputės 2. Tikrinimo mygtukas

Indikatorių lemputės			Likusi galia
Šviečia	Nešviečia	Blyksti	
■	□	▬	
■ ■ ■ ■			75 - 100 %
■ ■ ■ □			50 - 75 %
■ ■ □ □			25 - 50 %
■ □ □ □			0 - 25 %
▬ □ □ □			Įkraukite akumuliatorių.
■ ■ □ □			Galimai įvyko akumuliatoriaus veikimo triktis.
□ □ ■ ■		↑ ↓	





PASTABA: Rodmuo gali šiek tiek skirtis nuo faktinės energijos lygio – tai priklauso nuo naudojimo sąlygų ir aplinkos temperatūros.

PASTABA: Veikiant akumuliatoriaus apsaugos sistemai ims mirksėti pirmoji (toliausiai kairėje) indikatoriaus lemputė.

Jungiklio veikimas

- **Pav.4:** 1. Siurbimo galios keitimo mygtukas
2. JUNGIMO / IŠJUNGIMO mygtukas

Norėdami įjungti siurbį, tiesiog paspauskite mygtuką JUNGIMO / IŠJUNGIMO. Norėdami išjungti, vėl paspauskite mygtuką JUNGIMO / IŠJUNGIMO. Galite pakeisti siurblio siurbimo galią keturiais žingsniais, paspaudę siurbimo galios pakeitimo mygtuką. Kiekvienu mygtuko paspaudimu cikliška kartojami tylus / įprastas / didelis / maksimalus režimai.

Lygis	Rodinys	Režimas
1		Tylus režimas
2		Įprasto greičio režimas
3		Didelio greičio režimas
4		Maksimalaus greičio režimas

PASTABA: Prieš įjungdami siurbį, galite pakeisti siurbimo galią.

PASTABA: Siurblys pradeda veikti ta pačia siurbimo galia, kaip veikė paskutinį kartą.

Lemputės uždegimas

⚠ PERSPĖJIMAS: Nežiūrėkite tiesiai į šviesą arba šviesos šaltinį.

Norėdami įjungti lemputę, paspauskite siurblio galios keitimo mygtuką. Lemputė išsijungia maždaug po 10 sekundžių. Kai siurblys veikia, išsijungia lemputė. Išjungus siurbį, lemputė užgesa maždaug po 10 sekundžių.

PASTABA: Kai likusi akumuliatoriaus galia pradeda sekti, pradeda žybcioti lemputė. Laikas, kuriam praėjus lemputė pradeda žybcioti, priklauso nuo darbo vietoje esančios temperatūros ir akumuliatoriaus kasetės būklės.

- **Pav.5:** 1. Siurbimo galios keitimo mygtukas
2. JUNGIMO / IŠJUNGIMO mygtukas
3. Lemputė

SURINKIMAS

⚠ PERSPĖJIMAS: Prieš darydami ką nors įrankiui visada patikrinkite, ar įrenginys išjungtas, o akumuliatorių kasetė – nuimta.

Dulkių maišelis ir popierinis filtras

Prieš naudodamiesi siurbliu įtaisykite dulkių maišelį ar popierinį filtrą. Įtaisydami dulkių maišelį ar popierinį filtrą naudokite ir dulkių stabdiklį. Pakartotinai išvalę dulkių maišelį, galite jį naudoti daug kartų. Popierinis filtras yra vienkartinis. Popieriniam filtrui prispildžius, išmeskite jį neištuštinę.

PASTABA: Kad į variklį nepatektų dulkių:

- Įsitinkinkite, kad prieš naudojimą buvo įdėtas dulkių maišelis arba popierinis filtras.
- Tvirtindami, į angas iki pat galo įdėkite dulkių stabdiklį kartu su dulkių maišeliu ar popieriniu filtru.
- Nenaudokite sugadinto ar suplėšyto maišelio.

Priešingu atveju variklis gali būti pažeistas.

PASTABA: Įdėdami popierinį filtrą, neuženkite kartono ties jo anga.

PASTABA: Neišmeskite dulkių stabdiklio, nes jis turi būti pakartotinai naudojamas kartu su dulkių maišeliu ar dulkių filtru.

PASTABA: Popierinis siurblio filtras yra svarbi, įrankio veikimą palaikanti sudedamoji dalis. Naudojant ne originalų popierinį filtrą, gali kilti dūmai arba liepsna.

PASTABA: Kai dulkių maišelis arba popierinis filtras nėra įdėtas į siurbį, priekinis dangtis užsidaro nevisiškai.

- **Pav.6**

Dulkių maišelio uždėjimas

Įtaisydami dulkių maišelį naudokite ir dulkių stabdiklį. Būkite atidūs, nepaimkite už viršutinio krašto vietoje apatinio, nes jie skiriasi.

- **Pav.7:** 1. Dulkių stabdiklio viršutinis kraštas
2. Dulkių stabdiklio apatinis kraštas

1. Įdėkite dulkių maišelio išsikišimą į dulkių stabdiklio apatinį griovelį, kaip parodyta paveikslėlyje.

- **Pav.8:** 1. Dulkių stabdiklis 2. Apatinis griovelis
3. Dulkių maišelis

Dulkių maišelio viršutinis ir apatinis kraštai nesiskiria. Į apatinį dulkių stabdiklio griovelį galite įdėti bet kurio krašto išsikišimą.

- **Pav.9:** 1. Apatinis griovelis

2. Perdenkite dulkių stabdiklio rėmelį dulkių maišelio rėmeliu.

- **Pav.10**

3. Įstatykite dulkių stabdiklį ir dulkių maišelį kartu į siurblio ertmę ta pačia ant dulkių stabdiklio esančios rodyklės kryptimi. Įstatykite juos iki galo į angas, siurblio ertmėje.

- **Pav.11**

4. Paskleiskite dulkių maišelio audeklo dalį siurblyje.

- **Pav.12**

5. Visiškai uždarykite priekinį dangtį.

- **Pav.13:** 1. Priekinis dangtis

Popierinio filtro įdėjimas

Įdėdami popierinį filtrą naudokite dulkių stabdiklį. Būkite atidūs, nepaimkite už viršutinio krašto vietoje apatinio, nes jie skiriasi.

- **Pav.14:** 1. Dulkių stabdiklio viršutinis kraštas
2. Dulkių stabdiklio apatinis kraštas

1. Prieš dėdami popierinį filtrą ant dulkių stabdiklio, atlenkite popierinio filtro priekį.

- **Pav.15**

2. Įdėkite popierinio filtro išsikišimą į dulkių stabdiklio apatinį griovelį, kaip parodyta paveikslėlyje.

- **Pav.16:** 1. Dulkių stabdiklis 2. Apatinis griovelis
3. Popierinis filtras

Popierinio filtro viršutinis ir apatinis kraštai nesiskiria. Į apatinį dulkių stabdiklio griovelį galite įdėti bet kurio krašto išsikišimą.

- **Pav.17:** 1. Apatinis griovelis

3. Perdenkite dulkių stabdiklio rėmelį popierinio filtro rėmeliu.

- **Pav.18**

4. Įstatykite dulkių stabdiklį ir popierinį filtrą į siurblio ertmę ta pačia ant dulkių stabdiklio esančios rodyklės kryptimi. Įstatykite juos iki galo į angas, siurblio ertmėje.

- **Pav.19**

5. Paskleiskite popierinio filtro konteinerio dalį siurblyje.

- **Pav.20**

6. Visiškai uždarykite priekinį dangtį.

- **Pav.21:** 1. Priekinis dangtis

NAUDOJIMAS

⚠ PERSPĖJIMAS: Kai naudojate siurbį, neprikiškite veido pernelyg arti oro vėdinimo angos. Į akis nupūtus pašalinių medžiagų galima sužaloti.

Dulkių siurblio priedų montavimas ir nuėmimas

⚠ PERSPĖJIMAS: Pritvirtinę priedus patikrinkite, ar jie patinkamai įrengti. Jei priedus pritvirtinsite netinkamai, jie gali nukristi ir sužaloti.

⚠ PERSPĖJIMAS: Būkite atsargūs, kad nuimdami priedą nestukteltumėte ranka į sieną ir pan.

Priedo naudojimas su užrakto funkcija

Ilginamąjį vamzdį pritvirtinsite įstatę jį į siurblio įsiurbimo angą, kol išgirsite spragtelėjimą. Patikrinkite, ar priedas įsitvirtino.

- **Pav.22:** 1. Įsiurbimo anga 2. Priedas su užrakto funkcija 3. Kablys

PASTABA: Įdėdami priedą su užrakto funkcija, sulygiuokite dulkių siurblio atleidimo mygtuką su priedo kabliuku. Jų nesulygiavus, priedas nebus užfiksuotas ir gali nukristi nuo dulkių siurblio.

Norėdami išimti, traukite priedą, tuo pat metu spausdami atlaisvinimo mygtuką.

- **Pav.23:** 1. Atlaisvinimo mygtukas 2. Priedas su užrakto funkcija

Priedo naudojimas be užrakinimo funkcijos

PASTABA: Jei norite prijungti priedą be užrakto funkcijos, pasukite ir gerai jį įkiškite į dulkių siurblio siurbimo įvadą. Norėdami atjungti priedą, sukdami jį ištraukite.

- **Pav.24**

Valymas (siurbimas)

Antgalis

Norėdami išvalyti stalus, suolus, baldus ir t. t., pritvirtinkite antgalį. Antgalį galima lengvai užmauti.

- **Pav.25:** 1. Antgalis

Antgalis bei ilginamasis vamzdis (tiesus vamzdis)

Ilginamasis vamzdis tvirtinamas prie siurblio ir prie antgalio. Jis yra labai patogus grindims valyti stovint.

- **Pav.26:** 1. Siurblio korpusas 2. Ilginimo lazdelė 3. Antgalis

Kampinis antgalis

Norėdami valyti kampus ir siaurus automobilio ar baldų plyšius, uždėkite kampinį antgalį.

- **Pav.27:** 1. Kampinis antgalis 2. Siurblio korpusas

Kampinį antgalį galite laikyti antgalio laikiklyje.

- **Pav.28:** 1. Antgalio laikiklis 2. Kampinis antgalis

⚠ PERSPĖJIMAS: Būkite atsargūs, kad pirštas (-ai) neįstrigtų tarp kampinio antgalio ir antgalio laikiklio. Įstrigus pirštui (-ams), galite susižeisti.

Kampinis antgalis ir ilginamasis vamzdis (tiesus vamzdis)

Siaurosoms vietoms, kur siurblys negali įsisprausti, ar aukštomis vietoms, kur sunku pasiekti, naudokite šį ilginamąjį vamzdį.

- **Pav.29:** 1. Kampinis antgalis 2. Ilginimo lazdelė 3. Siurblio korpusas

Valymas nenaudojant antgalio

Galite surinkti miltelius ir dulkes nenaudodami antgalio.

- **Pav.30**

Norint surinkti ant grindų nusėdusias dulkes stovint, dirbti bus patogus pritvirtinus prie dulkių siurblio ilginamąjį (tiesųjį) vamzdį.

- **Pav.31:** 1. Ilginamasis vamzdis (tiesusis vamzdis)

Dulkių išmetimas

▲ PERSPĖJIMAS: Prieš siurblyje susikaupiant per daug dulkių, ištuštinkite jas, nes įsiurbimo galia susilpnės.

▲ PERSPĖJIMAS: Uždarydami priekinį dangtį, būkite atsargūs, kad neprisipaustumėte pirštų.

PASTABA: Niekada neišmeskite dulkių stabdiklio, nes jis turi būti naudojamas kartu su dulkių maišeliu ar popieriniu filtru.

PASTABA: Kai dulkių maišelis / popierinis filtras nėra įdėtas į siurbį, priekinis dangtis užsidaro nevisiškai. Nebandykite uždaryti priekinio dangčio per jėgą. Galite deformuoti arba sulaužyti įrankį.

PASTABA: Kai išmetate dulkes, taip pat išvalykite dulkių maišelio / popierinio filtro įdėjimo vietą. Jei liks dulkių arba nešvarumų, kempininis filtras gali užsikimšti arba gali sugesti variklis.

1. Paspauskite mygtuką ir atidarykite priekinį dangtį. Atidarant jį tol, kol pasigirsta spragtelėjimas, jį galima sustabdyti į tą padėtį.
▶ **Pav.32:** 1. Priekinis dangtis 2. Mygtukas
2. Vienu metu patraukite už oranžinės spalvos dulkių stabdiklio ir dulkių maišelio / popierinio filtro.
▶ **Pav.33:** 1. Dulkių stabdiklis
3. Atsižvelgdami į dulkių konteinerio tipą, atlikite toliau nurodytas procedūras.

Kai naudojate dulkių maišelį

Išimkite dulkių stabdiklį ir ištuštinkite dulkių maišelį.
▶ **Pav.34:** 1. Dulkių stabdiklis 2. Dulkių maišelis

Kai naudojate popierinį filtrą

Išimkite dulkių stabdiklį ir išmeskite popierinį filtrą.
▶ **Pav.35:** 1. Dulkių stabdiklis 2. Popierinis filtras

4. Tuo pačiu metu įdėkite dulkių maišelį / naują popierinį filtrą ir dulkių stabdiklį į siurbį ir uždarykite priekinį dangtį.

PASTABA: Siurblys sukonstruotas taip, kad priekinis dangtis nuimamas bandant atidaryti jį didesniu nei 90° kampu. Jeigu priekinis dangtis būtų nuimtas, įtaisykite jį ant priekinio dangčio sujungimo.

▶ **Pav.36:** 1. Priekinis dangtis 2. Priekinio dangčio sujungimas

TECHNINĖ PRIEŽIŪRA

▲ PERSPĖJIMAS: Visuomet įsitikinkite, ar įrankis yra išjungtas ir akumuliatoriaus kasetė yra nuimta prieš atlikdami apžiūrą ir priežiūrą.

Gaminį taisyti, apžiūrėti ar vykdyti bet kokią kitą priežiūrą ar derinimą turi įgaliotasis kompanijos „Makita“ techninės priežiūros centras, kad gaminys būtų SAUGUS ir PATIKIMAS, reikia naudoti tik kompanijos „Makita“ pagamintas atsargines dalis.

Po naudojimo

▲ PERSPĖJIMAS: Pastačius siurbį prie sienos be jokios kitos atramos, siurblys gali nukristi ir sužaloti arba jis gali būti sugadintas.

▶ **Pav.37**

Valymas

▲ PERSPĖJIMAS: Išvalykite užsikimšusius dulkių maišelius ir filtras. Toliau naudojant nepašalinus kamščio, įrenginys gali perkaisti ir gali kilti gaisras.

PASTABA: Niekada nenaudokite gazolino, benzino, tirpiklio, spirito arba panašių medžiagų. Gali atsirasti išblukimų, deformacijų arba įtrūkimų.

PASTABA: Nenupuškite ant siurblio ir filtro prilipusių dulkių orpūtė. Ji pripučia dulkių į korpusą ir sukelia gėdimą.

PASTABA: Išplovę dulkių maišelius ir kempininius filtras, prieš naudodami juos gerai išdžiovinkite. Jei filtrai bus nepakankamai sausi, gali sumažėti įsiurbimo galia ir sutrumpėti variklio eksploatacijos trukmė.

PASTABA: Išvalę dulkių maišelius ir kempininius filtras, prieš vėl naudodami būtinai juos įdėkite atgal. Jei naudosite dulkių siurbį be dulkių maišelio ir kempinių filtro, dulks pateks į variklio korpusą ir sukels gėdimą.

Siurblio korpusas

Retkarčiais nuvalykite siurblio išorę (siurblio korpusą), naudodami muilnime vandenyje sudrėkintą šluostę. Taip pat išvalykite įsiurbimo angą, dulkių maišelio / popierinio filtro tvirtinimo vietą ir dulkių stabdiklį.

▶ **Pav.38**

Dulkių maišelis

Jei dulkių maišelis užsikimšęs nuo dulkių ir siurblio galingumas sumažėja, išplaukite maišelį muiluotu vandeniu. Prieš naudodami, visiškai jį išdžiovinkite. Jei filtras bus nepakankamai sausas, gali sumažėti įsiurbimo galia ir sutrumpėti variklio naudojimo laikas.

▶ **Pav.39**

PASTABA: Popierinis filtras yra vienkartinis.

Dulkių stabdiklis

Nuvalykite dulkes nuo dulkių stabdiklio.

Švelniai padaužydami, pašalinkite dulkes ir nešvarumus nuo kempininės dalies.

▶ **Pav.40:** 1. Kempininė dalis

Kempininio filtro išėmimas ir įdėjimas

▲ PERSPĖJIMAS: Išvalę kempininį filtrą, būtinai įtaisykite jį į siurbį. Jei plovėte jį vandeniui, prieš įtaisydami išdžiovinkite jį. Dėl nepakankamai išdžiūvusio filtro gali sutrumpėti variklio eksploatacavimo laikas.

Jei kempininis filtras užsikimšęs nuo dulkių, išimkite jį iš siurblio ir išvalykite arba išplaukite vandeniui.

Norėdami išimti kempininį filtrą, išimkite dulkių maišelį arba popierinį filtrą, tada suspauskite kempininį filtrą ir išimkite.

► **Pav.41:** 1. Kempininis filtras

Prispauskite visą kempininio filtro kraštą prie įtaisytos dulkių maišelio / popierinio filtro tvirtinimo vietos sienelės.

► **Pav.42:** 1. Tvirtinimo vietos sienelė

Sieninis belaidžio siurblio stovas

Pasirenkamas priedas

PASTABA: Laikiklio tvirtinimo varžto komplekte nėra. Pasiruoškite varžtą, tinkantį norimai prisukti medžiagai.

Pritvirtinkite sieninį belaidžio siurblio stovą prie kietos medinės sienos, sijos arba statramsčio, kur bus galima gerai pritvirtinti belaidžio siurblio stovą. Prieš pakabindami siurbį, visada patikrinkite, ar sieninis belaidžio siurblio stovas gerai pritvirtintas.

► **Pav.43:** 1. Sieninis belaidžio siurblio stovas

▲ PERSPĖJIMAS: Per jėgą nekabinkite siurblio ant sieninio stovo – stovą naudokite tik siurbliui kabinti.

Trikčių šalinimas

Prieš kreipdamiesi dėl remonto, patikrinkite šiuos punktus.

Požymis	Tikrintina sritis	Ištaisymo būdas
Silpna siurbimo galia	Ar dulkių maišelis arba popierinis filtras pilnas dulkių?	Ištuštinkite dulkių maišelį ir popierinį filtrą.
	Ar užsikimšo dulkių maišelis arba kempininis filtras?	Išpurtykite dulkes arba išplaukite dulkių maišelį ir kempininį filtrą.
	Ar užsikimšo popierinis filtras?	Pakeiskite popierinį filtrą.
	Ar išsikrovė akumuliatoriaus kasetė?	Įkraukite akumuliatoriaus kasetę.
Neveikia	Ar išsikrovė akumuliatoriaus kasetė?	Įkraukite akumuliatoriaus kasetę.
Pasigirsta nenormalus triukšmas ir atsiranda vibracija	Ar užsikimšo dulkių maišelis arba kempininis filtras?	Išpurtykite dulkes arba išplaukite dulkių maišelį ir kempininį filtrą.
	Ar užsikimšo popierinis filtras?	Pakeiskite popierinį filtrą.
	Ar kas nors blokuoja angas arba kiaurymes?	Išvalykite iš antgalių, vamzdžių ir oro angų visas dulkes bei pašalines medžiagas.
	Ar uždaryta antgalio arba vamzdžio įsiurbimo anga?	Atidenkite ir atidarykite antgalio bei vamzdžio įsiurbimo angą.
Neužsidaro dulkių dėklo dangtis	Ar įdėtas dulkių maišelis arba popierinis filtras?	Įdėkite dulkių maišelį arba popierinį filtrą.

▲ PERSPĖJIMAS: Nebandykite taisyti siurblio patys.

PASIRENKAMI PRIEDAI

▲ PERSPĖJIMAS: Šiuos papildomus priedus arba įtaisus rekomenduojama naudoti su šioje instrukcijoje nurodytu „Makita“ bendrovės įrankiu. Naudojant bet kokius kitus papildomus priedus arba įtaisus, gali kilti pavojus sužeisti žmones. Naudokite tik nurodytam tikslui skirtus papildomus priedus arba įtaisus.

Jeigu norite daugiau sužinoti apie tuos priedus, kreipkitės į artimiausią „Makita“ techninės priežiūros centrą.

- Ilginamasis vamzdis (tiesus vamzdis)
- Antgalis
- Antgalis kilimams valyti
- Šepetėlis lentynoms valyti
- Kampinis antgalis

- Apvalus šepetėlis
- Lanksti žarna
- Dulkių maišelis
- Popierinis filtras
- Laisvas antgalis
- Antgalis sėdynėms
- Plyšių antgalis
- Sieninis belaidžio siurblio stovas
- Siurblio priedas
- Krepšys įrankiui
- Originalus „Makita“ akumuliatorius ir įkroviklis

PASTABA: Kai kurie sąraše esantys priedai gali būti pateikti įrankio pakuotėje kaip standartiniai priedai. Jie įvairiose šalyse gali skirtis.

Siurblio priedas

- **Pav.44:** 1. Atlaisvinimo mygtukas 2. Kablys
3. Ilginamasis vamzdis (tiesusis vamzdis)
4. Siurblio priedas 5. Įsiurbimo anga

Apie siurblio priedą

Naudojant valytuvą su siurblio priedu, sumažinamas į dulkių krepšį patenkančių dulkių kiekis, o tai mažina siurbimo jėgos silpnėjimą. Be to, po naudojimo lengviau valyti.

⚠️ PERSPĖJIMAS: Prieš darydami ką nors įrankiui, visada patikrinkite, ar įrenginys išjungtas, o akumuliatorių kasetė nuimta. Jei akumuliatorių kasetė lieka įdėta, valytuvus gali netikėtai įsijungti ir sužeisti.

⚠️ PERSPĖJIMAS: Išvalykite siurblio priedo tinklinį filtrą ir dulkių maišą, jei jie užsikemša. Tolesnis naudojimas esant užsikimšimui gali sukelti perkaitimą ir dūmus.

PASTABA: Kai prijungtas siurblio priedas, nenaudokite valytuvo horizontalioje ir į viršų nukreiptoje padėtyse. Dėl to gali užsikimšti tinklinis filtras.

PASTABA: Visuomet naudokite valytuvą su įdėtu dulkių maišu, net kai prijungtas siurblio priedas. Naudojant valytuvą be įdėto dulkių maišo, gali sugesti variklis.

PASTABA: Prieš naudodami patikrinkite, ar siurblio priedas, dulkių siurblys ir ilginamasis vamzdis (tiesusis vamzdis) yra tinkamai užrakinti.

PASTABA: Ištuštinkite siurblio priedo dulkių dėklą ir valytuvo dulkių maišą, jei susikaupė dulkių. Toliau naudojant sumažės įsiurbimo galingumas.

PASTABA: Taip pat galite naudoti siurblio priedą be užrakto funkcijos.

PASTABA: Prie montuodami arba nuimdami siurblio priedą, peržiūrėkite skirsinį „Dulkių siurblio priedų montavimas ir nuėmimas“.

Dulkių išmetimas

Kai dulkių pripildyta iki dulkių dėklo pripildymą žyminčios linijos, pašalinkite dulkes pagal toliau aprašytą procedūrą.

1. Tvirtai laikykite dulkių dėklą, paspauskite ir laikykite du mygtukus ir išimkite dulkių dėklą.
► **Pav.45:** 1. Pripildymo linija 2. Dulkių dėklas 3. Mygtukas (dvi padėty) 4. Tinklinis filtras
2. Išmeskite dulkes iš dulkių dėklo ir pašalinkite visas prie tinklinio filtro prilipusias dulkes bei purvą.
3. Dulkių dėklą įdėkite iki galo, kol du mygtukai jį užfiksuos trakstelėdami.
► **Pav.46:** 1. Dulkių dėklas 2. Mygtukas (dvi padėty)

⚠️ PERSPĖJIMAS: Surinkdami dulkių dėklą būkite atsargūs, kad neprispaustumėte pirštų.

PASTABA: Prieš pradėdami dirbti patikrinkite, ar siurblio priedas, dulkių siurblys ir ilginamasis vamzdis (tiesusis vamzdis) yra tinkamai užrakinti.

PASTABA: Jei po dulkių išmetimo ir tinklinio filtro išvalymo siurbimo jėga neatsinaujina, patikrinkite, ar nėra susikaupusių dulkių valytuvo dulkių maiše, ar nėra užsikimšimo.

PASTABA: Dulkės gali išsklisti, kai šalinatė iš siurblio priedo. Būkite atsargūs, kad dulkių nepatektų į akis.

Valymas

⚠️ PERSPĖJIMAS: Išplovē cikloninį priedą, prieš pradėdami naudoti gerai jį nusauskinkite. Nepakankamai nusauskinus komponentus, galima patirti elektros šoką arba gali būti apgadinta įranga.

Jei dulkių dėklas užsiteršia ar tinklinis filtras užsikemša, išimkite juos ir plaukite vandeniu. (Žiūrėkite skyrių „Dulkių išmetimas“.)

Prieš įdėdami atgal ir naudodami, išdžiovinkite detales.

- **Pav.47:** 1. Dulkių dėklas 2. Tinklinis filtras

Kai tinklinis filtras stipriai užsiteršia, valykite jį, kaip aprašyta toliau.

1. Tinklinį filtrą pasukite prieš laikrodžio rodyklę, kai kabliai yra atkabinti.

- **Pav.48:** 1. Tinklinis filtras 2. Kablys

2. Pašalinkite dulkes nuo tinklinio filtro, po to plaukite jį vandeniu. Po to gerai išdžiovinkite.

3. Įdėkite tinklinį filtrą į pagrindą, kai kabliai yra nukreipti į angą. Tinklinį filtrą pasukite pagal laikrodžio rodyklę, kol kabliai užsirakins trakstelėdami. Patikrinkite, ar tinklinis filtras yra saugiai įdėtas.

- **Pav.49:** 1. Tinklinis filtras 2. Kablys 3. Anga

HOIATUS

- Seda seadet võivad kasutada 8-aastased ja vanemad lapsed ning füüsiliste, sensoorsete või vaimsete puuetega või puudulike kogemuste ja teadmistega isikud, juhul kui nad on järelevalve all või kui neid on õpetatud seadet ohutult kasutama ja nad mõistavad seadme kasutamiseiga kaasnevaid ohtusid.
- Lapsed ei tohi seadmega mängida. Lapsed ei tohi seadet puhastada ega hooldada ilma järelevalveta.
- Seadmes kasutatava aku tüübi leiате peatükist „TEHNILISED ANDMED”.
- Aku paigaldamise või eemaldamise juhised leiате jaotisest „Akukasseti paigaldamine või eemaldamine”.
- Kasutuskõlbmatuks muutunud akukasseti kõrvaldamiseks eemaldage see tööriistast ja viige selleks ette nähtud kohta. Järgige kasutuskõlbmatuks muutunud aku kõrvaldamisel kohalikke eeskirju.
- Kui tööriista ei kasutata pika ajaperioodi jooksul, tuleb aku tööriistast eemaldada.
- Ärge tekitage akukasseti lühist.
- Üksikasjalikku teavet hooldamise ajal järgitavate ettevaatusabinõude kohta leiате peatükist „HOOLDAMINE”.

TEHNILISED ANDMED

Mudel:	CL002G	
Mahutavus	koos tolmukotiga	500 ml
	koos paberfiltriga	330 ml
Pidev kasutamine (akuga BL4025)	1 (vaikne režiim)	Umbes 80 min
	2 (tavalise kiiruse režiim)	Umbes 40 min
	3 (suure kiiruse režiim)	Umbes 25 min
	4 (max kiiruse režiim)	Umbes 16 min
Üldine pikkus (koos toru, otsaku ja akuga BL4025)	1 066 mm	
Nimipinge	Alalisvool 36 V – 40 V max	
Netokaal	1,8 - 2,4 kg	

- Meie pideva uuringu- ja arendusprogrammi tõttu võidakse tehnilisi andmeid muuta ilma sellest ette teatamata.
- Tehnilised andmed võivad riigiti erineda.
- Kaal ei sisalda lisatarvikuid peale akukasseti. Seadme ja akukasseti kõige kergem ja raskem kombineeritud kaal on näidatud tabelis.

Sobiv akukassett ja laadija

Akukassett	BL4020* / BL4025* / BL4040* / BL4050F *: Soovituslik aku
Laadija	DC40RA / DC40RB / DC40RC

- Mõned eespool loetletud akukassetid ja -laadijad ei pruugi olla teie riigis saadaval.

⚠ HOIATUS: Kasutage ainult ülalpool loetletud akukassette ja laadureid. Muude akukassettide ja laadurite kasutamine võib tekitada vigastusi ja/või tulekahju.

Sümbolid

Alljärgnevalt kirjeldatakse tingmärke, mida võidakse seadmetel kasutada. Enne seadme kasutamist tehke endale selgeks nende tähendus.



Lugege juhendit.



Sellele tootele sobiva aku näide.



Ainult EL-i riiptide puhul
Seadmes sisalduvate ohtlike osade tõttu võivad elektri- ja elektroonikaseadmete jäätmel, akud ja patareid avaldada negatiivset mõju keskkonnale ja inimeste tervisele.

Elektri- ja elektroonikaseadmeid ega akusid ei tohi kõrvaldada koos olmejäätmetega!
Euroopa elektri- ja elektroonikaseadmete jäätmel, akude ja patareide ning nende jäätmel direktiivi ja riiklikku õigusesse ülevõtmise kohaselt tuleb elektri- ja elektroonikaseadmete, akude ja patareide jäätmel koguda eraldi ning viia eraldiseisvasse olmejäätmete kogumispunkti, mis tegutseb koosõlas keskkonnakaitse eeskirjadega. Sellele osutab seadmele paigaldatud läbikriipsutatud ratasestega prügikasti sümbol.

Kavandatud kasutus

Tööriist on ette nähtud tolmu kogumiseks.

OHUTUSHOIATUSED

Juhtmeta tolmuimeja ohutusnõuded

⚠ HOIATUS: ÄÄRMISELT OLULINE ON ENNE KASUTAMIST lugeda tähelepanelikult läbi kõik ohutushoiatused ja juhised. Hoiatusi ja juhtnõude mittejärgmine võib põhjustada elektrišokki, tulekahju ja/või tõsisemaid vigastusi.

1. Ärge jätke vihma kätte. Hoidke siseruumides.
2. Ärge lubage kasutada mänguasjana. Olge tähelepanelik, kui seadet kasutavad lapsed või kasutatakse laste lähedal.
3. Kasutage ainult vastavalt antud kasutusjuhendis toodud juhistele. Kasutage ainult tootja soovitatud lisatarvikuid.
4. Ärge kasutage seadet kahjustatud akuga. Kui seade ei tööta korralikult, on maha kukkunud, kahjustatud, välistingimustes jäetud või vette kukkunud, viige see remondikeskusse.
5. Ärge käsitage seadet märgade kätega.
6. Ärge asetage esemeid avadesse. Blokeeritud avade korral ei tohi tolmuimejat kasutada; hoidke puhas tolmust, kiududest, karvadest ja muust, mis võiks blokeerida õhuvoolu.
7. Hoidke juuksed, lahtised riidesemed, sõrmed ja kõik kehaosad avadest ning liikuvatest osadest eemal.
8. Enne aku eemaldamist lülitage kõik juhtseadised väljalülitatud asendisse.
9. Treppide puhastamisel olge eriti ettevaatlik.
10. Ärge imege seadmesse kergesti süttivaid vedelikke (nt bensiin) ega töötage nende läheduses.
11. Kasutage laadimiseks ainult kompleksis olevat laadijat.
12. Ärge imege seadmesse põlevaid ega suitsevaid esemeid, nt sigarette, tikke või kuuma tuhka.
13. Ärge kasutage tolmu kotita ega filtriteta.

14. Ärge laadige akut välistingimustes.
15. Kasutage laadimiseks ainult tootja heaks kiidetud laadijat. Üht tüüpi akuga kasutamiseks sobiv laadija võib mõnda teist tüüpi akuga kasutamisel tuua kaasa süttimisohu.
16. Kasutage seadmeid üksnes spetsiaalselt neile ette nähtud akudega. Muude akude kasutamisega võib kaasneda kehavigastuste ja tulekahju oht.
17. Kui akut ei kasutata, ärge hoidke seda koos muude metallsemetega, nagu kirjaklambrid, mündid, võtmed, naelad, kruvid jm väikesed metallsemed, mis võivad tekitada ühenduse klemmide vahel.
18. Väärkasutamise tagajärjel võib akust valguda välja vedelikku; ärge seda puudutage. Kui olete selle vedelikuga siiski kogemata kokku puutunud, uhtke kohta veega.
19. Ärge kasutage akut ega seadet, mis on kahjustunud või mida on modifitseeritud. Kahjustunud või modifitseeritud akude talitus võib olla etteaimamatu, millega võib kaasneda tulekahju, plahvatuse või kehavigastuste oht.
20. Jälgige, et aku ega seade ei puutuks kokku lahtise tule või kõrge temperatuuriga. Kokkupuude lahtise tule või temperatuuriga, mis on üle 130 °C, võib kaasa tuua plahvatuse.
21. Järgige kõiki laadimisjuhiseid ja ärge laadige akut ega seadet väljaspool juhendis täpsustatud temperatuurivahemikku. Nõuetele või määratud temperatuuripiirangutele mittevastav laadimine võib kahjustada akut ja suurendada tulekahjuohtu.

HOIDKE JUHEND ALLES.

OHUTUSE LISAEESKIRJAD

Seade on mõeldud kasutamiseks majapidamistöodes.

1. Lugege enne kasutamist hoolikalt seda kasutusjuhendit ja laadija kasutusjuhendit.
2. Ärge korjake üles järgmisi asju:
 - kuumad asjad, nagu põlevad sigaretid või metalli lihvimise/lõikamise käigus tekkinud kuumad osakesed/metallipurud;
 - tuleohtlikud materjalid, nagu bensiin, lahusti, petrooleum või värv;
 - plahvatusohtlikud materjalid, nagu nitroglütseriin;
 - süttimisohtlikud materjalid, nagu alumiinium, tsink, magneesium, titaan, fosfor või tselluloid;
 - märg praht, vesi, õli vms;
 - teravad servadega kivid tükid, nagu puulaastud, metallid, kivid, klaas, naelad, klambrid või lõiketerad;
 - kivistuv pulber, nagu tsement või savimuda;
 - elektrit juhtiv tolm, nagu metall või süsinik;
 - peenosakesed, nagu betoonitölm; selline tegevus võib põhjustada tulekahju, vigastusi ja/või varalist kahju.

3. Kui märkate midagi ebaharilikku, peatage töö viivitamatult.
4. Kui tolmuimeja kukub või saab löögi, kontrollige enne kasutamist hoolikalt, et sellel ei oleks mõrasid ega vigastusi.
5. Hoidke tööriist eemal ahjustest jm kuumusallikatest.
6. Ärge blokeerige sisselaskeava ega ventilatsiooniväsiid.

HOIDKE JUHEND ALLES.

Akukassetiga seotud olulised ohutusjuhised

1. Enne akukassetti kasutamist lugege (1) akulaadidajal, (2) akul ja (3) seadmel olevad juhtnõidid ja hoiatused läbi.
2. Ärge võtke akukassetti lahti ega muutke seda. See võib põhjustada tulekahju, liigset kuumust või plahvatuse.
3. Kui tööaeg järsult lüheneb, siis lõpetage kohe kasutamine. Edasise kasutamise tulemuseks võib olla ülekuumenemisoht, võimalikud põletused või isegi plahvatus.
4. Kui elektrolüüti satub silma, siis loputage silma puhta veega ja pöörduge koheselt arsti poole. Selline õnnetus võib põhjustada pimedaksjäämist.
5. Ärge tekitage akukassetis lühis:
 - (1) Ärge puutuge klemme elektrijuhtidega.
 - (2) Ärge hoidke akukassetti tööriistakastis koos metallesemetega, nagu naelad, mündid jne.
 - (3) Ärge tehke akukassetti märjaks ega jätke seda vihma kätte.

Aku lühis võib põhjustada tugevat elektri-voolu, ülekuumenemist, põletusi ning ka seadet tõsiselt kahjustada.

6. Ärge hoidke ega kasutage tööriista ja akukassetti kohtades, kus temperatuur võib tõusta üle 50 °C (122 °F).
7. Ärge põletage akukassetti isegi siis, kui see on saanud tõsiselt vigastada või on täiesti kulumud. Akukassett võib tules plahvatada.
8. Ärge naelutage, löigake, muljuge, visake akukassetti ega laske sel kukkuda, samuti ärge lööge selle pihta kõva esemega. Selline tegevus võib põhjustada tulekahju, liigset kuumust või plahvatuse.
9. Ärge kasutage kahjustatud akut.
10. Sisalduvatele liitium-ioonakudele võivad kohalduda ohtlike kaupade õigusaktide nõuded.

Kaubanduslikul transportimisel, näiteks kolmandate poolte või transpordiettevõtete poolt, tuleb järgida pakendil ja siltidel toodud erinõudeid. Transportimiseks ettevalmistamisel on vajalik pidada nõu ohtliku materjali eksperdigaga. Samuti tuleb järgida võimalike riiklike regulatsioonide üksikasjalikumaid nõudeid.

Katke teibiga või varjake avatud kontaktid ja pakendage aku selliselt, et see ei saaks pakendis liukuda.

11. Kasutuskõlbmatuks muutunud akukassetti kõrvaldamiseks eemaldage see tööriistast ja viige selleks ette nähtud kohta. Järgige kasutuskõlbmatuks muutunud aku kõrvaldamisel kohalikke eeskirju.
12. Kasutage akusid ainult Makita heaks kiidetud toodetega. Akude paigaldamine selleks mitte ettenähtud toodetele võib põhjustada süttimist, ülemäärast kuumust, plahvatamist või elektrolüüdi lekkimist.
13. Kui tööriista ei kasutata pika ajaperioodi jooksul, tuleb aku tööriistast eemaldada.
14. Kasutamise ajal ja pärast kasutamist võib akukassett kuumeneda, mis võib põhjustada põletusi või madala temperatuuri põletusi. Olge kuumakassetti kandmisel ettevaatlik.
15. Ärge puudutage tööriista klemmi kohe pärast kasutamist, sest see võib olla kuum ja põhjustada põletusi.
16. Hoidke akukassetti klemmid, avad ja sooned tükikestest, tolmust ja mullast puhtad. See võib põhjustada tööriista või aku ülekuumenemist, süttimist, purunemist ja talitlushäireid, mis võib lõppeda põletuste või kehavigastustega.
17. Kui tööriist ei kannata kasutamist kõrgepingeliinide lähedal, ärge kasutage akukassetti kõrgepingeliinide lähedal. Muidu võib tööriist või akukassett puruneda või sellel tõrge tekkida.
18. Hoidke akut lastele kättesaamatult.

HOIDKE JUHEND ALLES.

⚠ETTEVAATUST: Kasutage ainult Makita originaalakusid. Mitte Makita originaalakude või muudetud akude kasutamine võib põhjustada akude süttimise, kehavigastuse ja kahjustuse. Samuti muudab see kehtetuks Makita tööriista ja laadija Makita garantii.

Vihjeid aku maksimaalse kasutusaja tagamise kohta

1. Laadige akukassetti enne selle täielikku tühjenemist. Kui märkate, et tööriist töötab väiksema võimsusega, peatage töö ja laadige akukassetti.
2. Ärge laadige täielikult laetud akukassetti. Ülelaadimine lühendab akude kasutusiga.
3. Laadige akukassetti toatemperatuuril 10 °C - 40 °C. Enne laadimist laske kuumenenud akukassetti maha jahtuda.
4. Kui te ei kasuta parajasti akukassetti, eemaldage see tööriistast või laadurist.
5. Kui te ei kasuta akukassetti kauem kui kuus kuud, laadige see.

FUNKTSIONAALNE KIRJELDUS

⚠ETTEVAATUST: Kandke alati hoolt selle eest, et tööriist oleks enne reguleerimist ja kontrollimist välja lülitatud ja akukassett eemaldatud.

⚠ETTEVAATUST: Olge ettevaatlik ja ärge jätke aku paigaldamise ajal sõrme/sõrmi tolmuimeja ja aku vahele, nagu joonisel näidatud. Sõrmede vigastamise oht.

► Joon.1

Akukasseti paigaldamine või eemaldamine

⚠ETTEVAATUST: Lülitage tööriist alati enne akukasseti paigaldamist või eemaldamist välja.

⚠ETTEVAATUST: Akukasseti paigaldamisel või eemaldamisel tuleb tööriista ja akukassetti kindlalt paigal hoida. Kui tööriista ja akukassetti ei hoita kindlalt paigal, võivad need käest libiseda ning kahjustada tööriista ja akukassetti või põhjustada kehavigastusi.

► Joon.2: 1. Punane näidik 2. Nupp 3. Akukassett

Akukasseti eemaldamiseks libistage see tööriista küljest lahti, vajutades kasseti esiküljel paiknevat nuppu alla.

Akukasseti paigaldamiseks joondage akukasseti keel korpuse soonega ja libistage kassett oma kohale. Sisestage see tervenisti, kuni see lukustub klõpsuga oma kohale. Kui näete joonisel näidatud punast näidikut, pole see täielikult lukustunud.

⚠ETTEVAATUST: Paigaldage akukassett alati täies ulatuses nii, et punast osa ei jääks näha. Muidu võib adapter juhulkiult tööriistast välja kukkuda ning põhjustada teile või läheduses viibivatele isikutele vigastusi.

⚠ETTEVAATUST: Ärge rakendage akukasseti paigaldamisel jõudu. Kui kassett ei lähe kergesti sisse, pole see õigesti paigaldatud.

Aku kaitsesüsteem

Tööriist on varustatud tööriista või aku kaitsesüsteemiga. Süsteem lülitab mootori automaatselt välja, et pikendada tööriista ja aku tööiga. Tööriist seiskub käitamise ajal automaatselt, kui tööriista või aku kohta kehtib üks järgmistest tingimustest.

Ülekoormus:

Tööriista/akut kasutatakse viisil, mis põhjustab toitevoolu tugevuse tõusu lubatust kõrgemale. Sellisel juhul lülitage tööriist välja ning lõpetage tööriista ülekoormuse põhjustanud tegevus. Pärast seda käivitage tööriist uuesti. Kui tööriist ei käivitu, on aku üle kuumenenud. Sellises olukorras laske akul enne tööriista uuesti sisselülitamist jahtuda.

Madal akupinge:

Aku jääkmahutavus on liiga väike ja tööriist ei hakka tööle. Sellisel juhul eemaldage aku ja laadige seda.

Kaitse muude olukordade eest:

Kaitsesüsteem on mõeldud ka muude olukordade jaoks, mis võivad tööriista kahjustada, ja võimaldab tööriistal automaatselt seiskuda. Kui tööriist on ajutiselt peatatud või seiskunud, toimige põhjuste kõrvaldamiseks järgnevalt.























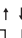

1. Lülitage tööriist välja ja seejärel taaskäivitamiseks uuesti sisse.
2. Laadige akut (akusid) või asendage see/need laetud aku(de)ga.
3. Laske tööriistal ja aku(de)l jahtuda.

Kui kaitsesüsteemi taastamisega ei õnnestu olukorda parandada, võtke ühendust Makita kohaliku hoolduskeskusega.

Aku jääkmahutavuse näit

Akukasseti järelejäänud mahutavuse kontrollimiseks vajutage kontrollimise nuppu. Märgulambid süttivad mõneks sekundiks.

► Joon.3: 1. Märgulambid 2. Kontrollimise nupp

Märgulambid			Jääkmahutavus
 Poleb	 Ei pole	 Vilgub	
			75 - 100%
			50 - 75%
			25 - 50%
			0 - 25%
			Laadige akut.
			Akul võib olla tõrge.
			


MÄRKUS: Näidatud mahutavus võib veidi erineda tegelikust mahutavusest olenevalt kasutustingimustest ja ümbritseva keskkonna temperatuurist.

MÄRKUS: Esimene (taga vasakul asuv) märgutuli vilgub, kui akukaitsesüsteem töötab.

Lüliti funktsioneerimine

► Joon.4: 1. Imemisvõimsuse muutmise nupp
2. Sisse-väljalülitamise nupp

Tolmuimeja sisselülitamiseks vajutage lihtsalt sisse-väljalülitamise nuppu. Väljalülitamiseks vajutage uuesti sisse-väljalülitamise nuppu. Tolmuimeja imemisvõimsust saab muuta nelja sammuga, vajutades imemisvõimsuse muutmise nuppu. Iga nupulevajutus kordab tsükliina režiime vaikne/tavaline/suur/max.

Tase	Näidik	Režiim
1		Vaikne režiim
2		Tavalise kiiruse režiim
3		Suure kiiruse režiim
4		Max kiiruse režiim

MÄRKUS: Imemisvõimsust saate muuta enne tolmuimeja sisselülitamist.

MÄRKUS: Tolmuimeja alustab tööd samal imemisvõimsusel nagu eelmise töö ajal.

Lambi süütamine

⚠ETTEVAATUST: Ärge vaadake otse valgusesse ega valgusallikat.

Lambi sisselülitamiseks vajutage imemisvõimsuse muutmise nuppu. Lamp kustub umbes 10 sekundi pärast.

Lamp lülitub sisse, kui tolmuimeja töötab. Lamp kustub umbes 10 sekundit pärast töö lõpetamist.

MÄRKUS: Aku tühjenemisel hakkab lamp vilkuma. Aeg, millal lamp vilkuma hakkab, oleneb töökohta temperatuurist ja akukasseti seisundist.

- **Joon.5:** 1. Imemisvõimsuse muutmise nupp
2. Sisse-väljalülitamise nupp 3. Lamp

KOKKUPANEK

⚠ETTEVAATUST: Kandke alati hoolt selle eest, et tööriist oleks enne igasuguseid hooldustöid välja lülitatud ja akukasseti eemaldatud.

Tolmukott ja paberfilter

Enne tolmuimeja kasutamist paigaldage tolmukott või paberfilter. Kasutage tolmuikotti või paberfiltrit paigaldades tolmustopperit. Tolmukotti saab tühjendada ja korduvalt kasutada. Paberfilter on mõeldud ühekordseks kasutamiseks. Kui paberfilter saab täis, visake see ilma eelnevalt tühendamata välja.

TÄHELEPANU: Mootori kaitsmine tolmu sissetungimise eest.

- Veenduge, et enne kasutamist oleksid paigaldatud tolmuikott ja paberfilter.
- Paigaldamisel sisestage tolmustopper tolmuikotti või paberfiltriga lõpuni piludesse.
- Ärge kasutage purunenud ega rebenenud filtrikotti.

Muidu võib mootor puruneda.

TÄHELEPANU: Ärge voltige paberfiltrit paigaldamise ajal kartongi selle avas kokku.

TÄHELEPANU: Ärge tolmustopperit minema visake, seda peab alati kasutama koos tolmuikotti või paberfiltriga.

TÄHELEPANU: Nõuetekohane paberfilter on tähtis komponent tolmuimeja jõudluse tagamise seisukohast. Mitteoriginaalse paberfiltrit kasutamine võib põhjustada suitsemist või süttimist.

MÄRKUS: Kui tolmuikott või paberfilter pole tolmuimejasse paigaldatud, ei sulgu esikate lõpuni.

- **Joon.6**

Tolmukoti paigaldamine

Kasutage tolmuikotti paigaldamisel tolmustopperit. Jälgige, et ei ajaks kogemata segamini tolmustopperi alumist ja ülemist poolt – need on erinevad.

- **Joon.7:** 1. Tolmustopperi ülemine pool
2. Tolmustopperi alumine pool

1. Lükake tolmuikotti väljaulatav serv tolmustopperi alumisse soonde nii, nagu on joonisel kujutatud.

- **Joon.8:** 1. Tolmustopper 2. Alumine soon
3. Tolmukott

Tolmuikotti ülemine ja alumine serv on ühesugused. Kotti väljaulatava serva võib tolmustopperi alumisse soonde lükata mõlemalt poolt.

- **Joon.9:** 1. Alumine soon

2. Tolmuikotti raam peab katma tolmustopperi raami.

- **Joon.10**

3. Asetage tolmustopper ja tolmuikott üheskoos tolmuimeja tühimikku tolmustopperil oleva noole suunas. Lükake mõlemad tolmuimeja tühimiku piludesse lõpuni välja.

- **Joon.11**

4. Paigutage tolmuikotti riidest osa tolmuimeja sisse.

- **Joon.12**

5. Sulgege korralikult esikate.

- **Joon.13:** 1. Esikate

Paberfiltrit paigaldamine

Kasutage paberfiltrit paigaldamisel tolmustopperit. Jälgige, et ei ajaks kogemata segamini tolmustopperi alumist ja ülemist poolt – need on erinevad.

- **Joon.14:** 1. Tolmustopperi ülemine pool
2. Tolmustopperi alumine pool

1. Enne tolmustopperisse paigutamist voltige paberfiltrit suu lahti.

- **Joon.15**

2. Lükake paberfiltrit väljaulatav serv tolmustopperi alumisse soonde nii, nagu on joonisel kujutatud.

- **Joon.16:** 1. Tolmustopper 2. Alumine soon
3. Paberfilter

Paberfiltrit ülemine ja alumine serv on ühesugused. Filtrit väljaulatava serva võib tolmustopperi alumisse soonde lükata ükskõik kummalt poolt.

- **Joon.17:** 1. Alumine soon

3. Paberfiltrit raam peab katma tolmustopperi raami.

- **Joon.18**

4. Asetage tolmustopper ja paberfilter üheskoos tolmuimeja tühimikku tolmustopperil oleva noole suunas. Lükake mõlemad tolmuimeja tühimiku piludesse lõpuni välja.

- **Joon.19**

5. Paigutage paberfiltrit kogumisosa täielikult tolmuimeja sisse.

- **Joon.20**

6. Sulgege korralikult esikate.

- **Joon.21:** 1. Esikate

TÖÖRIISTA KASUTAMINE

⚠ETTEVAATUST: Tolmuimeja kasutamisel ärge pange oma nägu ventilaatorile liiga lähedale. Kõrvaliste esemete sattumisel silma võib see põhjustada kehavigastusi.

Puhastustarvikute paigaldamine ja eemaldamine

⚠ETTEVAATUST: Pärast lisatarvikute paigaldamist kontrollige, kas need on korralikult paigaldatud. Kui lisatarvik ei ole korralikult paigaldatud, võib see lahti tulla ja kehavigastusi põhjustada.

⚠ETTEVAATUST: Olge ettevaatlik, et te lisatarviku eemaldamisel kätt vastu seina vms ära ei lööks.

Lukustusfunktsiooniga lisatarviku kasutamine

Lisatarviku paigaldamiseks sisestage see tolmuimeja imiavasse, kuni see klõpsatab. Veenduge, et lisatarvik on lukustunud.

► **Joon.22:** 1. Imiava 2. Lukustusfunktsiooniga lisatarvik 3. Konkas

TÄHELEPANU: Lukustusfunktsiooniga lisatarviku paigaldamisel veenduge, et tolmuimeja vabastusnupp oleks kohakuti lisatarvikul oleva haagiga. Kui need ei ole kohakuti, siis lisatarvik ei lukustu ja võib tolmuimeja küljest lahti tulla.

Lisatarviku eemaldamiseks tõmmake seda samal ajal, kui vajutate vabastusnuppu.

► **Joon.23:** 1. Vabastusnupp
2. Lukustusfunktsiooniga lisatarvik

Ilma lukustusfunktsioonita lisatarviku kasutamine

TÄHELEPANU: Ilma lukustusfunktsioonita lisatarviku ühendamisel keerake ja sisestage see kindlalt tolmuimeja imiavasse. Lisatarviku lahutamiseks tõmmake see ära, samal ajal keerates.

► **Joon.24**

Puhastamine (imemine)

Otsak

Laudade, mööbli jm puhastamiseks kinnitage tolmuimejale otsak. Otsak kinnitub lihtsalt.

► **Joon.25:** 1. Otsak

Otsak + teleskooptoru (sirge toru)

Teleskooptoru saab paigutada otsaku ja aparadi vahele. See muudab seistes põranda puhastamise mugavaks.

► **Joon.26:** 1. Tolmuimeja korpus 2. Pikendustoru 3. Otsak

Nurgaotsak

Kinnitage auto või mööbli nurkade ja pragude puhastamiseks nurgaotsak.

► **Joon.27:** 1. Nurgaotsak 2. Tolmuimeja korpus

Nurgaotsakut saab hoida otsakute hoidikus.

► **Joon.28:** 1. Otsakute hoidik 2. Nurgaotsak

⚠ETTEVAATUST: Olge ettevaatlik, et te ei jätkaks sõrmi nurgaotsaku ja otsakute hoidiku vahele. Sõrmede vigastamise oht.

Nurgaotsak + teleskooptoru (sirge toru)

Kasutage seda võimalust piiratud ruumis, kuhu tolmuimeja ei mahu, või kõrgete kohtade puhul, kuhu on raske ulatuda.

► **Joon.29:** 1. Nurgaotsak 2. Pikendustoru
3. Tolmuimeja korpus

Puhastamine ilma otsakuta

Pulbrit ja tolmu saate koguda ilma otsakuta.

► **Joon.30**

Põrandalt tolmu imemiseks püstitasendis parandab mugavust tolmuimejale kinnitatav teleskooptoru (sirge toru).

► **Joon.31:** 1. Teleskooptoru (sirge toru)

Tolmu eemaldamine

⚠ETTEVAATUST: Tühjendage tolmuimeja enne, kui see liigselt täitub, või enne, kui imemisjõud väheneb.

⚠ETTEVAATUST: Olge esikatte sulgemisel ettevaatlik, et te ei jätkaks sõrmi katte ja seadme vahele.

TÄHELEPANU: Ärge tolmustopperit minema visake. Seda peab kasutama alati koos tolmukoti või paberfiltriga.

TÄHELEPANU: Kui tolmukott/paberfilter pole tolmuimeja sees, ei sulgu esikate täielikult. Ärge kasutage esikatte sulgemiseks jõudu. See võib tööriista deformeerida või purustada.

TÄHELEPANU: Tolmu äraviskamisel puhastage ka tolmukoti/paberfiltri asukoht. Asukohta alles jäänud tolm võib ummistada vahfiltrit või kahjustada mootorit.

1. Esikatte avamiseks vajutage nuppu. Kate jääb avanemisel õigesse asendisse, kui kuulete klõpsatust.
► **Joon.32:** 1. Esikate 2. Nupp

2. Tõmmake nii oranž tolmukoti sulgur kui ka tolmukott/paberfilter ühel ajal korraga välja.
► **Joon.33:** 1. Tolmustopper

3. Järgige allpool toodud protseduure olenevalt tolmukoti tüübist:

Tolmukoti kasutamisel

Eemaldage tolmustopper ja tühjendage tolmukott.

► **Joon.34:** 1. Tolmustopper 2. Tolmukott

Paberfiltri kasutamisel

Eemaldage tolmustopper ja visake paberfilter ära.

► **Joon.35:** 1. Tolmustopper 2. Paberfilter

4. Pange tolmukott / uus paberfilter ja tolmustopper korraga tagasi tolmuimejasse ning sulgege esikate.

MÄRKUS: Tolmuimeja on konstrueeritud sellisel viisil, et esikate tuleks seadme küljest lahti, kui püüate seda avada suurema nurga all kui 90°. Kui esikate on seadme küljest lahti tulnud, siis pange see seadme ja katte vahelise liigendi külge tagasi.

► **Joon.36:** 1. Esikate 2. Esikatte liigend

HOOLDUS

⚠ETTEVAATUST: Enne kontroll- või hooldustoimingute tegemist kandke alati hoolt selle eest, et tööriist oleks välja lülitatud ja akukassett korpuse küljest eemaldatud.

Toote OHUTUSE ja TÖÖKINDLUSE tagamiseks tuleb vajalikud parandustööd ning muud hooldus- ja reguleerimistööd lasta teha Makita volitatud või tehase teeninduskeskustes. Alati tuleb kasutada Makita varuosi.

Pärast kasutamist

⚠ETTEVAATUST: Seadme sein vastu toetamine ilma igasuguse muu toeta võib lõppeda selle ümber kukkumisega, põhjustades kehavigastusi või seadme kahjustusi.

► **Joon.37**

Puhastamine

⚠ETTEVAATUST: Puhastage ummistunud tolmukotid ja filtrid. Ummistunud komponentide edasi kasutamine võib põhjustada tööriista ülekuumenemise või tulekahju.

TÄHELEPANU: Ärge kunagi kasutage bensiini, vedelid, alkoholi ega midagi muud sarnast. Selle tulemuseks võib olla luitumine, deformatsioon või pragunemine.

TÄHELEPANU: Ärge puhuge tolmuimejale ja filtritete kogunenud tolmu õhupuhuriga. Sellega kaasneks tolmu sattumine korpusesse, mis põhjustab talitlushäireid.

TÄHELEPANU: Pärast tolmukottide ja tolmufiltrite pesemist kuivatage need enne kasutamist hoolikalt. Ebapiisavalt kuivatatud filtrid vähendavad imemisvõimsust ja lühendavad mootori tööiga.

TÄHELEPANU: Pärast tolmukottide ja tolmufiltrite puhastamist paigaldage need enne kasutamist kindlasti tagasi. Kui kasutate tolmuimejat ilma tolmukottide ja tolmufiltriteta, satub tolm mootori korpusesse ja põhjustab talitlusterkeid.

Tolmuimeja korpuse

Puhastage tolmuimeja korpuse välispinda aeg-ajalt seebivees niisutatud lapiga.

Puhastage ka imiava, tolmukoti/paberfiltri paigaldamisala ja tolmustopperit.

► **Joon.38**

Tolmukott

Kui tolmukott on tolmust ummistunud ja tolmuimeja imemisvõimsus on vähenenud, peske tolmukotti seebivees. Enne kasutamist laske korralikult kuivada. Halvasti kuivatatud filter vähendab imemisvõimsust ja lühendab mootori tööiga.

► **Joon.39**

MÄRKUS: Paberfilter on mõeldud ühekordseks kasutamiseks.

Tolmustopper

Pühkige tolmustopper tolmust puhtaks.

Eemaldage filtriosalt tolm ja mustus, seda kergelt koputades.

► **Joon.40:** 1. Filtriosa

Tolmufilteri paigaldamine ja eemaldamine

⚠ETTEVAATUST: Ärge unustage tolmufiltrit pärast puhastamist tolmuimejasse paigaldada. Kui te filtrit pesite, laske sel enne tagasipanekut ära kuivada. Korralikult kuivamata tolmufilter võib lühendada mootori kasutusiga.

Kui tolmufilter on tolmust ummistunud, eemaldage see aparaadist ja puhastage või peske seda.

Tolmufilteri eemaldamiseks eemaldage tolmukott või paberfilter, seejärel pitsitage kokku ja tõmmake välja.

► **Joon.41:** 1. Tolmufilter

Vajutage kogu tolmufiltrit serv tolmukoti/paberfiltri paigaldusala süvitatud sisesseina vastu.

► **Joon.42:** 1. Süvitatud sein

Juhtmeta käsitolmuimeja seinapaigalduspaneel

Valikuline tarvik

MÄRKUS: Hoidiku paigaldamiseks vajalik kruvi ei kuulu komplekti. Pange valmis kruvi, mis on konkreetse materjali puhul kasutamiseks sobiv.

Kinnitage juhtmeta käsitolmuimeja seinapaigalduspaneel tugeva puitseina, tala või posti külge, kuhu juhtmeta käsitolmuimeja seinapaigalduspaneeli saab korralikult fikseerida. Enne käsitolmuimeja ülesriputamist tuleb alati kontrollida, kas juhtmeta käsitolmuimeja seinapaigalduspaneel on nõuetekohaselt kinnitatud.

► **Joon.43:** 1. Juhtmeta käsitolmuimeja seinapaigalduspaneel

⚠ETTEVAATUST: Ärge kasutage käsitolmuimeja seinapaigalduspaneelile riputamisel jõudu ning ärge riputage selle külge teisi seadmeid.

Tõrkeotsing

Enne seadme remonti viimist kontrollige järgmisi punkte.

Probleemi kirjeldus	Mida tuleks uurida?	Kuidas parandada?
Nõrk imemisjõud	Kas tolmuksott või paberfilter on tolmu täis?	Tühjendage tolmuksott või paberfilter.
	Kas tolmuksott või tolmufilter on ummistunud?	Kloppige või peske tolmuksott ja tolmufilter puhtaks.
	Kas paberfilter on ummistunud?	Vahetage paberfilter.
	Kas akukassett on tühi?	Laadige akukassett.
Ei tööta	Kas akukassett on tühi?	Laadige akukassett.
Ebatavaline müra ja vibratsioon	Kas tolmuksott või tolmufilter on ummistunud?	Kloppige või peske tolmuksott ja tolmufilter puhtaks.
	Kas paberfilter on ummistunud?	Vahetage paberfilter.
	Kas miski blokeerib avasid või auke?	Eemaldage otsakesed, torudes ja õhuavadest olev tolmu ja esemed.
	Kas otsaku või toru imiava on suletud?	Avage otsak ja toru imiava, eemaldades katte.
Tolmukarbi kate ei sulgu	Kas tolmuksott või paberfilter on kohale asetatud?	Pange tolmuksott või paberfilter oma kohale.

⚠ETTEVAATUST: Ärge püüdke tolmuimejat ise parandada.

VALIKULISED TARVIKUD

⚠ETTEVAATUST: Neid tarvikuid ja lisaseadiseid on soovitatav kasutada koos Makita tööriistaga, mille kasutamist selles kasutusjuhendis kirjeldatakse. Muude tarvikute ja lisaseadiste kasutamisega kaasneb vigastada saamise oht. Kasutage tarvikuid ja lisaseadiseid ainult otstarbekohaselt.

Saate vajaduse korral kohalikust Makita teeninduskeskusest lisateavet nende tarvikute kohta.

- Teleskooptoru (sirge toru)
- Otsak
- Vaibaotsak
- Riilühari
- Nurgaotsak
- Ümmargune hari
- Elastne voolik
- Tolmuksott
- Paberfilter
- Eraldi otsak
- Istme otsak
- Praaotsak
- Juhtmeta käsitolmuimeja seinapaigalduspaneel
- Tsüklontarvik
- Tööriistakott
- Makita algupärane aku ja laadija

MÄRKUS: Mõned nimekirjas loetletud tarvikud võivad kuuluda standardvarustusse ning need on lisatud tööriista pakendisse. Need võivad riigiti erineda.

Tsüklontarvik

- **Joon.44:** 1. Vabastusnupp 2. Haak
3. Teleskooptoru (sirge toru)
4. Tsüklontarvik 5. Imiava

Teave tsüklontarviku kohta

Paigaldatud tsüklontarvikuga tolmuimeja kasutamine vähendab tolmuksotti jõudva tolmu kogust, mille tulemusena imemisjõud ei vähene. Lisaks on pärast kasutamist tööriista lihtne puhastada.

⚠ETTEVAATUST: Jälgige alati, et tööriist oleks enne igasuguseid hooldustöid välja lülitatud ja akukassett eemaldatud. Kui akukassett jääb tolmuimeja sisse, võib see ootamatult käivituda ja tekitada vigastusi.

⚠ETTEVAATUST: Kui tsüklontarviku võrkfilter või tolmuimeja tolmuksott ummistuvad, puhastage neid. Ummistunud osade pidev kasutamine võib viia tööriista kuumenemiseni või tekitada suitsu.

TÄHELEPANU: Kui tolmuimejale on paigaldatud tsüklontarvik, ärge kasutage tolmuimejat horisontaalses või ülespoole asendis. Vastasel juhul võib võrkfilter ummistuda.

TÄHELEPANU: Kasutage tolmuimejat alati koos tolmuksotiga, isegi kui tsüklontarvik on paigaldatud. Ilma tolmuksotita tolmuimeja kasutamine võib põhjustada mootori riket.

MÄRKUS: Kontrollige, et tsüklontarvik, tolmuimeja ja teleskoopтору (sirge toru) oleksid enne kasutamist korralikult lukustunud.

MÄRKUS: Kui tsüklontarviku tolmuimise või tolmuimeja tolmuimiseks on kogunenud tolmu, tühjendage need. Pidev kasutamine vähendab imemisjõudu.

MÄRKUS: Tsüklontarvikut saab kasutada ka ilma lukustusfunktsioonita.

MÄRKUS: Tsüklontarviku paigaldamiseks või eemaldamiseks lugege peatükki „Puhastustarvikute paigaldamine ja eemaldamine“.

Tolmu eemaldamine

Kui tolmuimeja on kogunenud tolmu, tühjendage tolmuimeja, järgige alltoodud protseduuri ja eemaldage tolmu.

1. Hoidke tolmuimeja kindlalt, vajutage ja hoidke all kaht nuppu ning eemaldage tolmuimeja.

► **Joon.45:** 1. Ülemine joon 2. Tolmuimeja 3. Nupp (kahes kohas) 4. Võrkfilter

2. Eemaldage tolmuimejas olev tolmuimeja ning võrkfiltri pinnale kinnitunud tolmu ja puru.

3. Sisestage tolmuimeja lõpuni, kuni kaks nuppu klõpsuga lukustuvad.

► **Joon.46:** 1. Tolmuimeja 2. Nupp (kahes kohas)

⚠ETTEVAATUST: Tolmuimeja kokkupanemisel olge ettevaatlik, et sõrmed vahele ei jääks.

MÄRKUS: Kontrollige, et tsüklontarvik, tolmuimeja ja teleskoopтору (sirge toru) oleksid enne taaskäivitamist korralikult lukustunud.

MÄRKUS: Kui imemisjõud ei taastu ka pärast tolmuimeja eemaldamist ja võrkfiltri puhastamist, kontrollige, kas tolmuimeja tolmuimiseks on täis või on kuskil ummistus.

MÄRKUS: Tsüklontarviku tühjendamisel võib tolmu välja lennata. Olge ettevaatlik, et tolmu ei satuks silma.

Puhastamine

⚠ETTEVAATUST: Pärast tsüklontarviku pesemist kuivatage see enne kasutamist hoolikalt. Ebapiisavalt kuivatatud komponendid võivad põhjustada elektrilöögi või kahjustada seadet.

Kui tolmuimeja muutub mustaks või võrkfilter on ummistunud, võtke need välja ja peske veega. (Lugege väljaõtmise kohta peatükki „Tolmu eemaldamine“.)

Enne tagasipanekut ja kasutamist kuivatage osad korralikult.

► **Joon.47:** 1. Tolmuimeja 2. Võrkfilter

Kui võrkfilter muutub väga mustaks, puhastage seda järgmisel moel.

1. Keerake võrkfiltrit vastupäeva ja võtke see välja, kui haagid on lukustamata.

► **Joon.48:** 1. Võrkfilter 2. Haak

2. Eemaldage võrkfiltrilt olev tolmu ja peske filtrit veega. Seejärel kuivatage filter korralikult.

3. Sisestage võrkfilter selle pesasse, nii et haagid on avaga kohakuti. Keerake võrkfiltrit päripäeva, kuni haagid klõpsuga lukustuvad. Veenduge, et võrkfilter oleks kindlalt paigaldatud.

► **Joon.49:** 1. Võrkfilter 2. Haak 3. Ava

ОСТОРОЖНО

- Дети старше 8 лет, лица с ограниченными физическими, сенсорными или умственными способностями и лица, не имеющие надлежащего опыта и знаний, могут использовать это устройство только при условии, что они осознают возможные опасности и действуют под надзором или после инструктажа по безопасному использованию устройства.
- Не разрешайте детям играть с устройством. Детям запрещается проводить чистку и техобслуживание без контроля со стороны взрослых.
- Тип аккумулятора указан в главе "ТЕХНИЧЕСКИЕ ХАРАКТЕРИСТИКИ".
- Инструкции по установке и извлечению аккумулятора приведены в разделе "Установка или снятие блока аккумулятора".
- Для утилизации блока аккумулятора извлеките его из инструмента и утилизируйте безопасным способом. Выполняйте требования местного законодательства по утилизации аккумулятора.
- Если инструментом не будут пользоваться в течение длительного периода времени, извлеките аккумулятор из инструмента.
- Не замыкайте контакты блока аккумулятора между собой.
- Сведения о мерах предосторожности при техническом обслуживании изделия пользователем приведены в главе "ТЕХНИЧЕСКОЕ ОБСЛУЖИВАНИЕ".

ТЕХНИЧЕСКИЕ ХАРАКТЕРИСТИКИ

Модель:		CL002G
Производительность	с пылесборным мешком	500 мл
	с бумажным фильтром	330 мл
Продолжительное использование (с аккумулятором BL4025)	1 (Бесшумный режим)	Прибл. 80 мин
	2 (Режим нормальной скорости)	Прибл. 40 мин
	3 (Режим высокой скорости)	Прибл. 25 мин
	4 (Режим максимальной скорости)	Прибл. 16 мин
Общая длина (с трубкой, насадкой и аккумулятором BL4025)		1 066 мм
Номинальное напряжение		36 В – 40 В пост. тока макс.
Масса нетто		1,8 - 2,4 кг

- Благодаря нашей постоянно действующей программе исследований и разработок указанные здесь технические характеристики могут быть изменены без предварительного уведомления.
- Технические характеристики могут различаться в зависимости от страны.
- В значение массы не входит масса принадлежностей, только масса блок(ов) аккумулятора. Наименьшая и наибольшая совокупная масса инструмента и блока(ов) аккумулятора указана в таблице.

Подходящий блок аккумулятора и зарядное устройство

Блок аккумулятора	BL4020* / BL4025* / BL4040* / BL4050F *: рекомендуемый аккумулятор
Зарядное устройство	DC40RA / DC40RB / DC40RC

- В зависимости от региона проживания некоторые блоки аккумуляторов и зарядные устройства, перечисленные выше, могут быть недоступны.

⚠ ОСТОРОЖНО: Используйте только перечисленные выше блоки аккумуляторов и зарядные устройства. Использование других блоков аккумуляторов и зарядных устройств может привести к травме и/или пожару.

Символы

Ниже приведены символы, которые могут использоваться для обозначения оборудования. Перед использованием убедитесь в том, что вы понимаете их значение.



Прочитайте руководство по эксплуатации.



Для данного продукта подходит типовой аккумулятор.



Только для стран ЕС

В связи с наличием в оборудовании опасных компонентов отходы электрического и электронного оборудования, аккумуляторы и батареи могут оказывать негативное влияние на окружающую среду и здоровье человека.

Не выбрасывайте электрические и электронные устройства или батареи вместе с бытовыми отходами!

В соответствии с директивой ЕС по отходам электрического и электронного оборудования, по аккумуляторам, батареям и отходам аккумуляторов и батарей, а также в соответствии с ее адаптацией к национальному законодательству, отходы электрического оборудования, батареи и аккумуляторы следует хранить отдельно и доставлять на пункт раздельного сбора коммунальных отходов, работающий с соблюдением правил охраны окружающей среды. Это обозначено символом в виде перечеркнутого мусорного контейнера на колесах, нанесенным на оборудование.

Назначение

Данный инструмент предназначен для сбора сухой пыли.

МЕРЫ БЕЗОПАСНОСТИ

Правила техники безопасности при эксплуатации аккумуляторного пылесоса

⚠ ОСТОРОЖНО: ВАЖНО! ВНИМАТЕЛЬНО ОЗНАКОМЬТЕСЬ со всеми инструкциями и рекомендациями по технике безопасности ДО НАЧАЛА РАБОТЫ. Невыполнение инструкций и рекомендаций может привести к поражению электрическим током, пожару и/или тяжелым травмам.

1. Берегите от дождя. Храните в помещении.
2. Не позволяйте использовать в качестве игрушки. Если инструмент используют дети или инструмент используется рядом с детьми, соблюдайте особую осторожность.
3. Используйте только так, как описано в настоящем руководстве. Используйте только принадлежности, рекомендованные производителем.
4. Не используйте с поврежденным аккумулятором. Если инструмент не работает должным образом, может быть уронен, поврежден, забыт на улице или попал в воду, отнесите его в сервисный центр.
5. Не берите инструмент мокрыми руками.
6. Не помещайте какие-либо предметы в отверстия. Не используйте, если какое-либо отверстие заблокировано. Предотвращайте попадание пыли, пуха, волос и других материалов, способных уменьшить поток воздуха.

7. Держите волосы, свободную одежду, пальцы и другие части тела подальше от отверстий и движущихся деталей.
8. Перед снятием аккумулятора выключите все регуляторы.
9. Проявляйте особую осторожность при чистке на лестницах.
10. Не используйте для сбора огнеопасных или воспламеняющихся жидкостей, например бензина, и не используйте там, где они могут присутствовать.
11. Для зарядки используйте только зарядное устройство, поставляемое производителем.
12. Не собирайте ничего, что горит или дымится, например, окурки, спички или горячий пепел.
13. Не используйте без установленных фильтров и/или пылесборного мешка.
14. Не заряжайте аккумулятор на улице.
15. Заряжайте аккумулятор только зарядным устройством, указанным изготовителем. Зарядное устройство, подходящее для одного типа аккумуляторных блоков, может привести к пожару при его использовании с другим аккумуляторным блоком.
16. Используйте устройства только с указанными для них аккумуляторными блоками. Использование других аккумуляторных блоков может привести к травме или пожару.
17. Когда аккумуляторный блок не используется, храните его отдельно от металлических предметов, таких как скрепки, монеты, ключи, гвозди, шурупы или другие небольшие металлические предметы, которые могут привести к короткому замыканию контактов аккумуляторного блока.
18. При неправильном обращении из аккумуляторного блока может потечь жидкость. Избегайте контакта с ней. В случае контакта с кожей промойте место контакта обильным количеством воды.
19. Не используйте поврежденный или модифицированный аккумуляторный блок или устройство. Поврежденные или модифицированные аккумуляторы могут работать некорректно, что может привести к пожару, взрыву или травмированию.
20. Не подвергайте аккумуляторный блок или устройство воздействию огня или высокой температуры. Воздействие огня или температуры выше 130 °C может привести к взрыву.
21. Следуйте всем инструкциям по зарядке и не заряжайте аккумуляторный блок или устройство при температурах, выходящих за пределы указанного в инструкции диапазона. Зарядка, выполняемая неправильно или при температурах, выходящих за пределы указанного диапазона, может привести к повреждению аккумулятора и повысить риск пожара.

СОХРАНИТЕ ДАННЫЕ ИНСТРУКЦИИ.

ДОПОЛНИТЕЛЬНЫЕ ПРАВИЛА ТЕХНИКИ БЕЗОПАСНОСТИ

Этот инструмент предназначен для домашнего использования.

1. Перед использованием внимательно прочитайте это руководство по эксплуатации и руководство по эксплуатации зарядного устройства.
2. Запрещается собирать следующие материалы:
 - горячие материалы (напр., зажженные сигареты) или искры/стружку при шлифовке/резании металла
 - горючие материалы (например, бензин, растворитель, бензол, керосин или краска)
 - взрывоопасные материалы (например, нитроглицерин)
 - воспламеняющиеся материалы (например, алюминий, цинк, магний, титан, фосфор или целлулоид)
 - жидкую грязь, воду, масло и подобные материалы
 - твердые частицы с острыми краями (например, древесные стружки, металлы, камни, стекла, гвозди, штифты или бритвы)
 - пыль от цемента или тонера
 - электропроводящую пыль (например, металлов или угля)
 - тонкодисперсные частицы (например, пыль от бетона)

Подобные действия могут привести к пожару, травмам и/или повреждению имущества.

3. Немедленно прекратите работу, если вы заметили какие-либо отклонения.
4. Тщательно проверьте пылесос перед началом эксплуатации на предмет наличия трещин и повреждений, если вы уронили или ударили его.
5. Не подносите близко к печам и источникам тепла.
6. Не блокируйте входные и вентиляционные отверстия.

СОХРАНИТЕ ДАННЫЕ ИНСТРУКЦИИ.

Важные правила техники безопасности для работы с аккумуляторным блоком

1. Перед использованием аккумуляторного блока прочитайте все инструкции и предупредительные надписи на (1) зарядном устройстве, (2) аккумуляторном блоке и (3) инструменте, работающем от аккумуляторного блока.
2. Не разбирайте блок аккумулятора и не меняйте его конструкцию. Это может привести к пожару, перегреву или взрыву.

3. Если время работы аккумуляторного блока значительно сократилось, немедленно прекратите работу. В противном случае, может возникнуть перегрев блока, что приведет к ожогам и даже к взрыву.
 4. В случае попадания электролита в глаза промойте их обильным количеством чистой воды и немедленно обратитесь к врачу. Это может привести к потере зрения.
 5. Не замыкайте контакты аккумуляторного блока между собой:
 - (1) Не прикасайтесь к контактам какими-либо токопроводящими предметами.
 - (2) Не храните аккумуляторный блок в контейнере вместе с другими металлическими предметами, такими как гвозди, монеты и т. п.
 - (3) Не допускайте попадания на аккумуляторный блок воды или дождя.
- Замыкание контактов аккумуляторного блока между собой может привести к возникновению большого тока, перегреву, возможным ожогам и даже поломке блока.
6. Не храните и не используйте инструмент и аккумуляторный блок в местах, где температура может достигать или превышать 50 °C (122 °F).
 7. Не бросайте аккумуляторный блок в огонь, даже если он сильно поврежден или полностью вышел из строя. Аккумуляторный блок может взорваться под действием огня.
 8. Запрещено вбивать гвозди в блок аккумулятора, резать, ломать, бросать, ронять блок аккумулятора или ударять его твердым предметом. Это может привести к пожару, перегреву или взрыву.
 9. Не используйте поврежденный аккумуляторный блок.
 10. Входящие в комплект литий-ионные аккумуляторы должны эксплуатироваться в соответствии с требованиями законодательства об опасных товарах.

При коммерческой транспортировке, например, третьей стороной или экспедитором, необходимо нанести на упаковку специальные предупреждения и маркировку.

В процессе подготовки устройства к отправке обязательно проконсультируйтесь со специалистом по опасным материалам. Также соблюдайте местные требования и нормы. Они могут быть строже.

Закройте или закрепите разомкнутые контакты и упакуйте аккумулятор так, чтобы он не перемещался по упаковке.
 11. Для утилизации блока аккумулятора извлеките его из инструмента и утилизируйте безопасным способом. Выполняйте требования местного законодательства по утилизации аккумуляторного блока.
 12. Используйте аккумуляторы только с продукцией, указанной Makita. Установка аккумуляторов на продукцию, не соответствующую требованиям, может привести к пожару, перегреву, взрыву или утечке электролита.

13. Если инструментом не будут пользоваться в течение длительного периода времени, извлеките аккумулятор из инструмента.
14. Во время и после использования блок аккумулятора может нагреваться, что может стать причиной ожогов или низкотемпературных ожогов. Будьте осторожны при обращении с горячим блоком аккумулятора.
15. Не прикасайтесь к контактам инструмента сразу после использования, поскольку они могут быть достаточно горячими, чтобы вызвать ожоги.
16. Не допускайте налипания на контакты, отверстия и пазы блока аккумулятора опилок, пыли или земли. Это может стать причиной перегрева, возгорания, взрыва или неисправности инструмента или блока аккумулятора, что может привести к ожогам или травмам.
17. Если инструмент не рассчитан на использование вблизи высоковольтных линий электропередач, не используйте блок аккумулятора вблизи высоковольтных линий электропередач. Это может привести к неисправности, поломке инструмента или блока аккумулятора.
18. Храните аккумулятор в недоступном для детей месте.

СОХРАНИТЕ ДАННЫЕ ИНСТРУКЦИИ.

ВНИМАНИЕ: Используйте только фирменные аккумуляторные батареи Makita. Использование аккумуляторных батарей, не произведенных Makita, или батарей, которые были подвергнуты модификациям, может привести к взрыву аккумулятора, пожару, травмам и повреждению имущества. Это также автоматически аннулирует гарантию Makita на инструмент и зарядное устройство Makita.

Советы по обеспечению максимального срока службы аккумулятора

1. Заряжайте блок аккумуляторов перед его полной разрядкой. Обязательно прекратите работу с инструментом и зарядите блок аккумуляторов, если вы заметили снижение мощности инструмента.
2. Никогда не подзаряжайте полностью заряженный блок аккумуляторов. Перезарядка сокращает срок службы аккумулятора.
3. Заряжайте блок аккумуляторов при комнатной температуре в 10 - 40 °C (50 - 104 °F). Перед зарядкой горячего блока аккумуляторов дайте ему остыть.
4. Если блок аккумулятора не используется, извлеките его из инструмента или зарядного устройства.
5. Зарядите ионно-литиевый аккумуляторный блок, если вы не будете пользоваться инструментом длительное время (более шести месяцев).

ОПИСАНИЕ РАБОТЫ

ВНИМАНИЕ: Перед регулировкой или проверкой функций инструмента обязательно убедитесь, что он выключен и его аккумуляторный блок снят.

ВНИМАНИЕ: Соблюдайте осторожность, чтобы при установке аккумулятора не защемить пальцы между пылесосом и аккумулятором, как показано на рисунке. Защемление пальцев может привести к травме.

► Рис.1

Установка или снятие блока аккумуляторов

ВНИМАНИЕ: Обязательно выключайте инструмент перед установкой и извлечением аккумуляторного блока.

ВНИМАНИЕ: При установке и извлечении аккумуляторного блока крепко удерживайте инструмент и аккумуляторный блок. Если не соблюдать это требование, они могут выскользнуть из рук, что приведет к повреждению инструмента, аккумуляторного блока и травмированию оператора.

► Рис.2: 1. Красный индикатор 2. Кнопка 3. Блок аккумулятора

Для снятия аккумуляторного блока нажмите кнопку на лицевой стороне и извлеките блок.

Для установки блока аккумулятора совместите выступ блока аккумулятора с пазом в корпусе и задвиньте его на место. Установивайте блок до упора, чтобы он зафиксировался с небольшим щелчком. Если вы видите красный индикатор, как показано на рисунке, он не зафиксирован полностью.

ВНИМАНИЕ: Обязательно устанавливайте блок аккумулятора до конца, чтобы красный индикатор не был виден. В противном случае блок аккумулятора может выпасть из инструмента и нанести травму вам или другим людям.

ВНИМАНИЕ: Не прилагайте чрезмерных усилий при установке аккумуляторного блока. Если блок не двигается свободно, значит он вставлен неправильно.

Система защиты аккумулятора

На инструменте предусмотрена система защиты инструмента/аккумулятора. Она автоматически отключает питание двигателя для продления срока службы инструмента и аккумулятора. Инструмент автоматически остановится во время работы при возникновении указанных ниже ситуаций, влияющих на работу самого инструмента или аккумулятора.

Перегрузка:

В текущем режиме эксплуатации инструмент/аккумулятор потребляет очень большое количество тока. В этом случае выключите инструмент и прекратите работу, повлекшую перегрузку инструмента. Затем включите инструмент для перезапуска.

Если инструмент не включается, значит перегрелся аккумуляторный блок. В этом случае дайте аккумулятору остыть перед повторным включением инструмента.

Низкое напряжение аккумуляторной батареи:

Уровень оставшегося заряда аккумулятора слишком низкий, и инструмент не работает. В этом случае снимите и зарядите аккумулятор.

Защита от других неполадок:

Система защиты также рассчитана на другие неполадки, способные вывести инструмент из строя, и обеспечивает автоматический останов инструмента. В случае временной остановки или прекращения работы инструмента выполните все перечисленные ниже действия для устранения причин остановки.

1. Выключите и снова включите инструмент для его перезапуска.
2. Зарядите аккумулятор(-ы) или замените его/их на заряженный(-е).
3. Дайте инструменту и аккумулятору(-ам) остыть.

Если после восстановления системы защиты ситуация не изменится, обратитесь в сервисный центр Makita.

Индикация оставшегося заряда аккумулятора

Нажмите кнопку проверки на аккумуляторном блоке для проверки заряда. Индикаторы загорятся на несколько секунд.

► **Рис.3:** 1. Индикаторы 2. Кнопка проверки

Индикаторы			Уровень заряда
Горит	Выкл.	Мигает	
			от 75 до 100%
			от 50 до 75%
			от 25 до 50%
			от 0 до 25%
			Зарядите аккумуляторную батарею.
			Возможно, аккумуляторная батарея неисправна.

ПРИМЕЧАНИЕ: В зависимости от условий эксплуатации и температуры окружающего воздуха индикация может незначительно отличаться от фактического значения.

ПРИМЕЧАНИЕ: Первая (дальняя левая) индикаторная лампа будет мигать во время работы защитной системы аккумулятора.

Действие выключателя

► **Рис.4:** 1. Кнопка изменения мощности всасывания 2. Кнопка включения / выключения

Для запуска пылесоса просто нажмите кнопку включения / выключения. Для выключения снова нажмите кнопку включения / выключения. Доступна четырехступенчатая регулировка мощности всасывания пылесоса путем нажатия кнопки изменения мощности всасывания. При каждом последующем нажатии этой кнопки циклически повторяется бесшумный / нормальный / высокий / максимальный режим.

Уровень	Индикация	Режим
1		Бесшумный режим
2		Режим нормальной скорости
3		Режим высокой скорости
4		Режим максимальной скорости

ПРИМЕЧАНИЕ: Мощность всасывания можно изменить перед включением пылесоса.

ПРИМЕЧАНИЕ: Пылесос начинает работу с той же мощностью всасывания, что и во время последней операции.

Включение лампы

ВНИМАНИЕ: Не смотрите непосредственно на свет или источник света.

Чтобы включить индикатор, нажмите кнопку изменения мощности всасывания. Индикатор гаснет примерно через 10 секунд.

Пока пылесос работает, индикатор горит. Индикатор гаснет примерно через 10 секунд после прекращения работы.

ПРИМЕЧАНИЕ: При низком заряде аккумулятора индикатор начинает мигать. Время, по истечении которого индикатор начинает мигать, зависит от температуры на рабочем месте и состояния аккумулятора.

► **Рис.5:** 1. Кнопка изменения мощности всасывания 2. Кнопка включения / выключения 3. Лампа

СБОРКА

⚠ ВНИМАНИЕ: Перед проведением каких-либо работ с инструментом обязательно убедитесь, что инструмент отключен, а блок аккумулятора снят.

Пылесборный мешок и бумажный фильтр

Перед использованием пылесоса установите либо пылесборный мешок, либо бумажный фильтр. При установке пылесборного мешка или бумажного фильтра используйте заглушку для пыли.

Пылесборный мешок можно использовать повторно много раз, очищая его.

Бумажный фильтр необходимо выбрасывать после использования. Выбросьте бумажный фильтр, когда он заполнится, не опорожняя его.

ПРИМЕЧАНИЕ: Во избежание попадания пыли в мотор:

- Перед использованием инструмента убедитесь в наличии установленного пылесборного мешка или бумажного фильтра.
- При установке пылесборного мешка или бумажного фильтра также установите заглушку для пыли в слоты до фиксации.
- Не используйте поврежденный или разорванный мешок.

Несоблюдение данной инструкции может привести к повреждению двигателя.

ПРИМЕЧАНИЕ: При установке бумажного фильтра не сгибайте картонные части на его отверстиях.

ПРИМЕЧАНИЕ: Никогда не выбрасывайте заглушку для пыли, потому что она предназначена для повторного использования с пылесборным мешком и с бумажным фильтром.

ПРИМЕЧАНИЕ: Бумажный фильтр пылесоса — это важный компонент для сохранения работоспособности инструмента. Использование бумажных фильтров других производителей может привести к появлению дыма или возгоранию.

ПРИМЕЧАНИЕ: Если пылесборный мешок или бумажный фильтр не установлен в пылесос, передняя крышка не закроется полностью.

► Рис.6

Установка пылесборного мешка

При установке пылесборного мешка используйте заглушку для пыли. Будьте внимательны, чтобы не перепутать верхнюю и нижнюю части, потому что они отличаются друг от друга.

- Рис.7: 1. Верхняя часть заглушки для пыли
2. Нижняя часть заглушки для пыли

1. Вставьте пылесборный мешок выступом в нижний паз на заглушке для пыли, как показано на рисунке.

- Рис.8: 1. Заглушка для пыли 2. Нижний паз
3. Пылесборный мешок

Между нижней и верхней сторонами пылесборного мешка нет разницы. Вы можете вставить его выступ любой стороной в нижний паз на заглушке для пыли.

- Рис.9: 1. Нижний паз

2. Перекройте рамку заглушки для пыли рамкой пылесборного мешка.

- Рис.10

3. Поместите одновременно заглушку для пыли и пылесборный мешок в углубление в пылесосе в направлении стрелки на заглушке для пыли. Вставьте их до упора в слоты углубления в пылесосе.

- Рис.11

4. Разверните тканевую часть пылесборного мешка внутри самого устройства.

- Рис.12

5. Полностью закройте переднюю крышку.

- Рис.13: 1. Передняя крышка

Установка бумажного фильтра

При установке бумажного фильтра используйте также заглушку для пыли. Будьте внимательны, чтобы не перепутать верхнюю и нижнюю части, потому что они отличаются друг от друга.

- Рис.14: 1. Верхняя часть заглушки для пыли
2. Нижняя часть заглушки для пыли

1. Разверните входную часть бумажного фильтра перед тем, как устанавливать его на заглушку для пыли.

- Рис.15

2. Вставьте выступ на бумажном фильтре в нижний паз на заглушке для пыли, как показано на рисунке.

- Рис.16: 1. Заглушка для пыли 2. Нижний паз
3. Бумажный фильтр

Между нижней и верхней сторонами бумажного фильтра нет разницы. Вы можете вставить его выступ любой стороной в нижний паз на заглушке для пыли.

- Рис.17: 1. Нижний паз

3. Перекройте рамку заглушки для пыли рамкой бумажного фильтра.

- Рис.18

4. Поместите одновременно заглушку для пыли и бумажный фильтр в углубление в пылесосе в направлении стрелки на заглушке для пыли. Вставьте их до упора в слоты углубления в пылесосе.

- Рис.19

5. Разверните контейнерную часть бумажного фильтра внутри пылесоса.

- Рис.20

6. Полностью закройте переднюю крышку.

- Рис.21: 1. Передняя крышка

ЭКСПЛУАТАЦИЯ

⚠ВНИМАНИЕ: Во время работы с пылесосом не приближайте лицо слишком близко к вентиляционному отверстию. Попадание в глаза посторонних предметов может привести к травме.

Установка и снятие насадок пылесоса

⚠ВНИМАНИЕ: После установки насадки убедитесь в надежности ее установки. При неправильной установке насадок они могут соскочить и нанести травму.

⚠ВНИМАНИЕ: При снятии насадок будьте осторожны, чтобы не удариться рукой о стену и т. д.

При использовании насадки с фиксацией

Для установки насадки вставьте ее во впускное отверстие пылесоса до щелчка. Убедитесь в том, что насадка зафиксирована.

► **Рис.22:** 1. Впускное отверстие 2. Насадка с фиксацией 3. Крючок

ПРИМЕЧАНИЕ: При установке насадки с фиксацией убедитесь в том, что кнопка разблокировки пылесоса совмещена с крючком на насадке. Если их не совместить, то насадка не будет зафиксирована и может соскочить с пылесоса.

Для удаления потяните за насадку, нажав кнопку разблокировки.

► **Рис.23:** 1. Кнопка разблокировки 2. Насадка с фиксацией

При использовании насадки без фиксации

ПРИМЕЧАНИЕ: Чтобы подсоединить насадку без функции блокировки, поверните и плотно вставьте ее во всасывающее отверстие пылесоса. Для отсоединения насадки потяните ее на себя при повороте.

► **Рис.24**

Чистка (всасывание)

Насадка

Прикрепите насадку для чистки столов, письменных столов, мебели и т. д. Насадка легко скользит.

► **Рис.25:** 1. Насадка

Насадка + удлиняющая труба (прямая труба)

Удлиняющая труба вставляется между насадкой и самим пылесосом. С помощью такого приспособления удобно чистить полы стоя.

► **Рис.26:** 1. Корпус пылесоса 2. Удлиняющая труба 3. Насадка

Угловая насадка

Прикрепите угловую насадку для чистки углов и щелей автомобилей или мебели.

► **Рис.27:** 1. Угловая насадка 2. Корпус пылесоса

Угловую насадку можно хранить в держателе насадки.

► **Рис.28:** 1. Держатель насадки 2. Угловая насадка

⚠ВНИМАНИЕ: Будьте осторожны, чтобы не защемить пальцы между угловой насадкой и держателем насадки. Защемление пальцев может привести к травме.

Угловая насадка + удлиняющая труба (прямая труба)

Используйте это приспособление в тесных углах, где невозможно поместить сам пылесос, или в труднодоступных высоких местах.

► **Рис.29:** 1. Угловая насадка 2. Удлиняющая труба 3. Корпус пылесоса

Чистка без насадки

Мелкие частицы и пыль можно собирать без насадки.

► **Рис.30**

Для удобства при сборе пыли с пола в положении стоя можно прикрепить к пылесосу удлиняющую трубу (прямую трубу).

► **Рис.31:** 1. Удлиняющая труба (прямая труба)

Удаление пыли

⚠ВНИМАНИЕ: Опорожните пылесос до того, как он заполнится, или сила всасывания уменьшится.

⚠ВНИМАНИЕ: Закрывая переднюю крышку, соблюдайте осторожность, чтобы не защемить пальцы.

ПРИМЕЧАНИЕ: Не выбрасывайте заглушку для пыли, поскольку она должна использоваться как с пылесборным мешком, так и с бумажным фильтром.

ПРИМЕЧАНИЕ: Если пылесборный мешок / бумажный фильтр не установлен в пылесос, передняя крышка не закроется полностью. Не прилагайте чрезмерных усилий при закрытии передней крышки. Это может привести к деформации или поломке инструмента.

ПРИМЕЧАНИЕ: При очистке от пыли не забудьте очистить отсек для пылесборного мешка / бумажного фильтра. Оставшаяся пыль и грязь в отсеке может привести к засорению губчатого фильтра или повреждению двигателя.

1. Нажмите кнопку, чтобы открыть переднюю крышку. Если открыть крышку до щелчка, она зафиксируется в этом положении.

► **Рис.32:** 1. Передняя крышка 2. Кнопка

2. Извлеките одновременно оранжевую заглушку для пыли и пылесборный мешок / бумажный фильтр.

► **Рис.33:** 1. Заглушка для пыли

3. В зависимости от типа пылесборника выполните описанные далее процедуры.

При использовании пылесборного мешка

Удалите заглушку для пыли и опорожните пылесборный мешок.

► **Рис.34:** 1. Заглушка для пыли 2. Пылесборный мешок

При использовании бумажного фильтра

Удалите заглушку для пыли и утилизируйте бумажный фильтр.

► **Рис.35:** 1. Заглушка для пыли 2. Бумажный фильтр

4. Установите пылесборный мешок / новый бумажный фильтр и заглушку для пыли в пылесос и закройте переднюю крышку.

ПРИМЕЧАНИЕ: Если продолжить открывать крышку, когда угол открытия превысит 90°, крышка отсоединится. Если передняя крышка отсоединилась, вставьте ее обратно в разъем.

► **Рис.36:** 1. Передняя крышка 2. Стык передней крышки

ОБСЛУЖИВАНИЕ

⚠ВНИМАНИЕ: Перед проведением проверки или работ по техобслуживанию всегда проверяйте, что инструмент выключен, а блок аккумуляторов снят.

Для обеспечения БЕЗОПАСНОСТИ и НАДЕЖНОСТИ оборудования ремонт, любое другое техобслуживание или регулировку необходимо производить в уполномоченных сервис-центрах Makita или сервис-центрах предприятия с использованием только сменных частей производства Makita.

После использования

⚠ВНИМАНИЕ: Если прислонить пылесос к стене без дополнительных опор, это может привести к его падению, повредить его или стать причиной травмы.

► **Рис.37**

Очистка

⚠ВНИМАНИЕ: Очищайте пылесборные мешки и фильтры при их засорении. Дальнейшее использование в засоренном состоянии может привести к перегреву или возгоранию.

ПРИМЕЧАНИЕ: Запрещается использовать бензин, растворители, спирт и другие подобные жидкости. Это может привести к обесцвечиванию, деформации и трещинам.

ПРИМЕЧАНИЕ: Не удаляйте пыль с пылесоса и фильтров с помощью пылеуловителя. При этом пыль попадает внутрь корпуса, что становится причиной неполадок.

ПРИМЕЧАНИЕ: После промывки пылесборных мешков и губчатых фильтров тщательно высушивайте их перед использованием. Использование влажного фильтра может привести к снижению эффективности всасыванию и уменьшить срок службы двигателя.

ПРИМЕЧАНИЕ: После очистки пылесборных мешков и губчатых фильтров обязательно устанавливайте их на место перед использованием. При использовании пылесоса без пылесборных мешков и губчатых фильтров пыль проникает внутрь корпуса двигателя и приводит к его неисправности.

Корпус пылесоса

Время от времени протирайте внешнюю часть (корпус) пылесоса с помощью тряпки, смоченной мыльной водой.

Также очищайте всасывающее отверстие, область крепления пылесборного мешка/бумажного фильтра и заглушку для пыли.

► **Рис.38**

Пылесборный мешок

Когда в фильтре скопится пыль и мощность всасывания пылесоса снизится, промойте пылесборный мешок в мыльной воде. Тщательно высушите его перед использованием. Не полностью высушенный фильтр может привести к плохому всасыванию и уменьшить срок службы мотора.

► **Рис.39**

ПРИМЕЧАНИЕ: Бумажный фильтр необходимо выбрасывать после использования.

Заглушка для пыли

Вытрите пыль с заглушки для пыли.

Удалите пыль и грязь с губчатой части, слегка постукав по ней.

► **Рис.40:** 1. Губчатая часть

Снятие и установка губчатого фильтра

ВНИМАНИЕ: После очистки губчатого фильтра обязательно установите его в пылесос. Если вы промывали его водой, перед установкой высушите его. Неполностью высушенный губчатый фильтр может сократить срок службы мотора.

Когда губчатый фильтр загрязнится пылью, извлеките его из пылесоса, а затем вытряхните его или промойте водой.

Для удаления губчатого фильтра извлеките пылесборный мешок или бумажный фильтр, а затем зажмите и извлеките губчатый фильтр.

► **Рис.41:** 1. Губчатый фильтр

Нажмите по всей кромке губчатого фильтра вдоль утопленной панели внутри области установки пылесборного мешка/бумажного фильтра.

► **Рис.42:** 1. Стенка с углублением

Настенное крепление для аккумуляторного пылесоса

Дополнительные принадлежности

ПРИМЕЧАНИЕ: Винт для крепления держателя в комплект не входит. Выберите винт в соответствии с типом материала.

Прикрепите настенное крепление для аккумуляторного пылесоса к стене, балке или колонне, сделанной из твердой древесины, где можно надежно закрепить аккумуляторный пылесос. Перед креплением пылесоса всегда проверяйте, чтобы настенное крепление для аккумуляторного пылесоса было надежно закреплено.

► **Рис.43:** 1. Настенное крепление для аккумуляторного пылесоса

ВНИМАНИЕ: Вешайте пылесос на настенное крепление осторожно и не вешайте никакие другие устройства, кроме пылесоса.

Устранение неполадок

Перед ремонтом проверьте следующее:

Неисправность	Что проверить	Способ исправления
Недостаточная сила всасывания	Пылесборный мешок или бумажный фильтр заполнены пылью?	Опорожните пылесборный мешок или бумажный фильтр.
	Пылесборный мешок или губчатый фильтр засорен?	Вытряхните пыль из пылесборного мешка и губчатого фильтра или промойте их.
	Бумажный фильтр засорен?	Замените бумажный фильтр.
	Блок аккумулятора разряжен?	Зарядите блок аккумулятора.
Не работает	Блок аккумулятора разряжен?	Зарядите блок аккумулятора.
Возникают посторонние шумы и вибрации	Пылесборный мешок или губчатый фильтр засорен?	Вытряхните пыль из пылесборного мешка и губчатого фильтра или промойте их.
	Бумажный фильтр засорен?	Замените бумажный фильтр.
	Зазоры или отверстия перекрыты посторонними предметами?	Полностью очистите насадки, трубки и отверстия для впуска и выпуска воздуха от пыли и посторонних предметов.
Перекрыто всасывающее отверстие насадки?	Снимите крышку и откройте всасывающее отверстие насадки и трубки.	
Крышка пылезащитного кожуха не закрывается	Установлен ли пылесборный мешок или бумажный фильтр?	Установите пылесборный мешок или бумажный фильтр.

ВНИМАНИЕ: Не пытайтесь ремонтировать пылесос самостоятельно.

ДОПОЛНИТЕЛЬНЫЕ ПРИНАДЛЕЖНОСТИ

ВНИМАНИЕ: Данные принадлежности или приспособления рекомендуются для использования с инструментом Makita, указанным в настоящем руководстве. Использование других принадлежностей или приспособлений может привести к получению травмы. Используйте принадлежность или приспособление только по указанному назначению.

Если вам необходимо содействие в получении дополнительной информации по этим принадлежностям, свяжитесь с вашим сервис-центром Makita.

- Удлиняющая труба (прямая труба)
- Насадка
- Насадка для чистки ковра
- Щетка для чистки полок
- Угловая насадка
- Круглая щетка
- Гибкий шланг
- Пылесборный мешок
- Бумажный фильтр
- Насадка

- Насадка для очистки сиденья
- Сопло для чистки щелей
- Настенное крепление для аккумуляторного пылесоса
- Циклонный фильтр
- Сумка для инструмента
- Оригинальный аккумулятор и зарядное устройство Makita

ПРИМЕЧАНИЕ: Некоторые элементы списка могут входить в комплект инструмента в качестве стандартных приспособлений. Они могут отличаться в зависимости от страны.

Циклонный фильтр

- **Рис.44:** 1. Кнопка разблокировки 2. Крючок
3. Удлиняющая труба (прямая труба)
4. Циклонный фильтр 5. Впускное отверстие

Информация о циклонном фильтре

Использование пылесоса с циклонным фильтром уменьшает количество пыли, попадающее в пылесборный мешок, что предотвращает снижение силы всасывания. Кроме того, это значительно упрощает очистку после использования.

ВНИМАНИЕ: Перед проведением каких-либо работ с инструментом обязательно отключите инструмент и извлеките блок аккумулятора. Если блок аккумулятора оставить в устройстве, пылесос может неожиданно загрузиться и стать причиной травмы.

ВНИМАНИЕ: Очищайте сетчатый фильтр циклонного фильтра и пылесборный мешок пылесоса, когда они засоряются. Дальнейшее использование в засоренном состоянии может привести к нагреванию или появлению дыма.

ПРИМЕЧАНИЕ: Не используйте пылесос с установленным циклонным фильтром в горизонтальном положении или в положении, когда пылесос направлен вверх. Это может привести к засорению сетчатого фильтра.

ПРИМЕЧАНИЕ: Всегда используйте пылесос с установленным пылесборным мешком даже при использовании циклонного фильтра. Использование пылесоса без установленного пылесборного мешка может привести к неисправности двигателя.

ПРИМЕЧАНИЕ: Перед использованием убедитесь в том, что циклонный фильтр, пылесос и удлиняющая труба (прямая труба) зафиксированы надлежащим образом.

ПРИМЕЧАНИЕ: Опорожняйте корпус для сбора пыли циклонного фильтра и пылесборный мешок пылесоса, когда они заполнились пылью. Дальнейшее использование может привести к снижению силы всасывания.

ПРИМЕЧАНИЕ: Вы также можете использовать циклонный фильтр без фиксации.

ПРИМЕЧАНИЕ: Порядок установки или снятия циклонного фильтра см. в разделе "Установка и снятие насадок пылесоса".

Удаление пыли

При заполнении пылью до уровня линии заполнения в корпусе для сбора пыли выполните описанную далее процедуру и утилизируйте пыль.

1. Крепко удерживая корпус для сбора пыли, нажмите и удерживайте две кнопки, после чего снимите корпус для сбора пыли.

► **Рис.45:** 1. Линия заполнения 2. Корпус для сбора пыли 3. Кнопка (два положения) 4. Сетчатый фильтр

2. Удалите пыль из корпуса для сбора пыли и удалите пыль и мелкую пыль с поверхности сетчатого фильтра.

3. Полностью вставьте корпус для сбора пыли таким образом, чтобы две кнопки зафиксировались со щелчком.

► **Рис.46:** 1. Корпус для сбора пыли 2. Кнопка (два положения)

ВНИМАНИЕ: При повторной сборке корпуса для сбора пыли следите за тем, чтобы не защемить пальцы.

ПРИМЕЧАНИЕ: Перед возобновлением работы убедитесь в том, что циклонный фильтр, пылесос и удлиняющая труба (прямая труба) зафиксированы надлежащим образом.

ПРИМЕЧАНИЕ: Если сила всасывания не восстановится даже после удаления пыли и очистки сетчатого фильтра, убедитесь в том, что пыль не скопилась в пылесборном мешке пылесоса, или в отсутствии засорения.

ПРИМЕЧАНИЕ: Пыль при удалении из циклонного фильтра может подняться в воздух. Соблюдайте осторожность, чтобы пыль не попала в глаза.

Очистка

ВНИМАНИЕ: После промывки циклонного фильтра тщательно высушите его перед использованием. Недостаточно высушенные компоненты могут привести к поражению электрическим током или выходу прибора из строя.

Когда загрязнится корпус для сбора пыли или засорится сетчатый фильтр, извлеките и промойте их водой. (Процедуру удаления см. в разделе "Утилизация пыли").

Тщательно просушите детали перед повторной установкой и использованием.

► **Рис.47:** 1. Корпус для сбора пыли 2. Сетчатый фильтр

Если сетчатый фильтр сильно загрязнен, очистите его, выполнив указанные далее процедуры.

1. Поверните сетчатый фильтр против часовой стрелки и извлеките его, пока крючки находятся в незафиксированном положении.

► **Рис.48:** 1. Сетчатый фильтр 2. Крючок

2. Удалите пыль из сетчатого фильтра и промойте его водой. После этого тщательно просушите его.

3. Вставьте сетчатый фильтр в основание таким образом, чтобы крючки расположились на одной линии с отверстием. Поверните сетчатый фильтр по часовой стрелке до фиксации крючков со щелчком. Убедитесь в том, что сетчатый фильтр надежно зафиксирован.

► **Рис.49:** 1. Сетчатый фильтр 2. Крючок
3. Отверстие

Makita Europe N.V. Jan-Baptist Vinkstraat 2,
3070 Kortenberg, Belgium

Makita Corporation 3-11-8, Sumiyoshi-cho,
Anjo, Aichi 446-8502 Japan

www.makita.com

885928-986
EN, SV, NO, FI, DA,
LV, LT, ET, RU
20211001