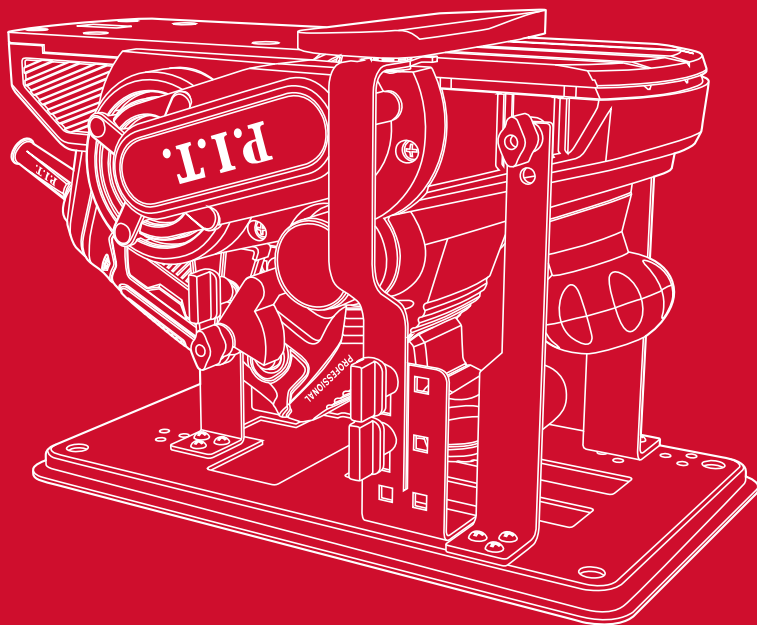


# P.I.T.

## PEP110-C1



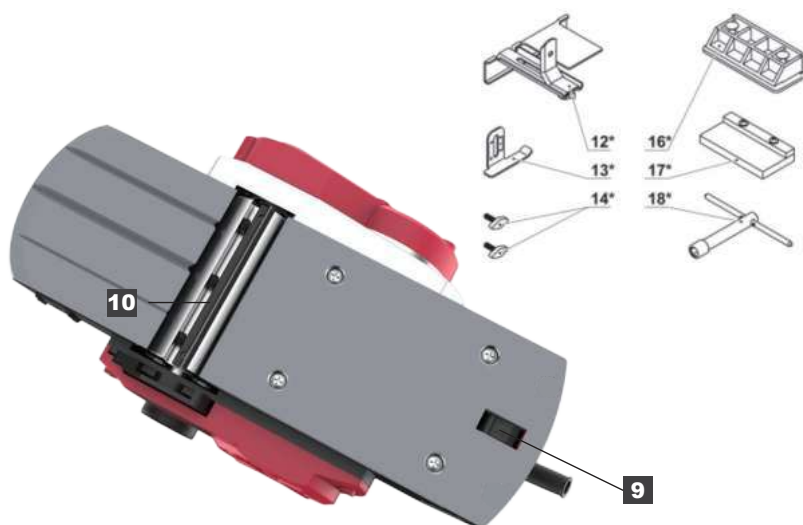
### **ELECTRIC PLANER** РУБАНОК ЭЛЕКТРИЧЕСКИЙ

**1500W**

**Powerful  
Efficient**

Please read the instruction manual carefully before use!  
Пожалуйста, внимательно прочтите инструкцию перед использованием!





## English

### Safety Notes

#### General Power Tool Safety Warnings



**WARNING** Read all safety warnings and all instructions. Failure to follow the warnings and instructions may result in electric shock, fire and/or serious injury.

Save all warnings and instructions for future reference. The term "power tool" in the warnings refers to your mainsoperated (corded) power tool or battery-operated (cordless) power tool.

#### Work area safety

- ▶ **Keep work area clean and well lit.** Cluttered or dark areas invite accidents.
- ▶ **Do not operate power tools in explosive atmospheres, such as in the presence of flammable liquids, gases or dust.** Power tools create sparks which may ignite the dust or fumes.
- ▶ **Keep children and bystanders away while operating a power tool.** Distractions can cause you to lose control.

#### Electrical safety

- ▶ **Power tool plugs must match the outlet. Never modify the plug in any way. Do not use any adapter plugs with earthed (grounded) power tools.** Unmodified plugs and matching outlets will reduce risk of electric shock.
- ▶ **Avoid body contact with earthed or grounded surfaces, such as pipes, radiators, ranges and refrigerators.** There is an increased risk of electric shock if your body is earthed or grounded.
- ▶ **Do not expose power tools to rain or wet conditions.** Water entering a power tool will increase the risk of electric shock.
- ▶ **Do not abuse the cord. Never use the cord for carrying, pulling or unplugging the power tool. Keep cord away from heat, oil, sharp edges or moving parts.** Damaged or entangled cords increase the risk of electric shock.
- ▶ **When operating a power tool outdoors, use an extension cord suitable for outdoor use.** Use of a cord suitable for outdoor use reduces the risk of electric shock.
- ▶ **If operating a power tool in a damp location is unavoidable, use a residual current device (RCD) protected supply.** Use of an RCD reduces the risk of electric shock.

### Personal safety

- ▶ **Stay alert, watch what you are doing and use common sense when operating a power tool. Do not use a power tool while you are tired or under the influence of drugs, alcohol or medication.** A moment of inattention while operating power tools may result in serious personal injury.
- ▶ **Use personal protective equipment. Always wear eye protection.** Protective equipment such as dust mask, non-skid safety shoes, hard hat, or hearing protection used for appropriate conditions will reduce personal injuries.
- ▶ **Prevent unintentional starting. Ensure the switch is in the off-position before connecting to power source and/or battery pack, picking up or carrying the tool.** Carrying power tools with your finger on the switch or energizing power tools that have the switch on invites accidents.
- ▶ **Remove any adjusting key or wrench before turning the power tool on.** A wrench or a key left attached to a rotating part of the power tool may result in personal injury.
- ▶ **Do not overreach. Keep proper footing and balance at all times.** This enables better control of the power tool in unexpected situations.
- ▶ **Dress properly. Do not wear loose clothing or jewellery.** Keep your hair, clothing and gloves away from moving parts. Loose clothes, jewellery or long hair can be caught in moving parts.
- ▶ **If devices are provided for the connection of dust extraction and collection facilities, ensure these are connected and properly used.** Use of dust collection can reduce dust related hazards.
- ▶ **Do not let familiarity gained from frequent use of tools allow you to become complacent and ignore tool safety principles.** A careless action can cause severe injury within a fraction of a second.
- ▶ Qualified personnel in accordance with this manual means persons who are familiar with the adjustment, installation, commissioning and maintenance of power tools.
- ▶ Only persons over 18 years of age who have read the technical description, operating instructions and safety rules are allowed to work with power tools.
- ▶ The product is not intended for use by

persons (including children) with reduced physical, sensory or mental capabilities, or lack of life experience or knowledge, unless they have been supervised or instructed in the use of power tools by a person responsible for their safety.

- ▶ Qualified personnel in accordance with this manual means persons who are familiar with the adjustment, installation, commissioning and maintenance of power tools.
- ▶ Persons at least 18 years of age who have studied the technical description, operating instructions and safety rules are allowed to work with power tools.
- ▶ This product is not intended for use by persons (including children) with reduced physical, sensory or mental capabilities, or lack of experience and knowledge, unless they have been given supervision or instruction concerning use of power tools by a person responsible for their safety.

### Power tool use and care

- ▶ **Do not force the power tool. Use the correct power tool for your application.** The correct power tool will do the job better and safer at the rate for which it was designed.
- ▶ **Do not use the power tool if the switch does not turn it on and off.** Any power tool that cannot be controlled with the switch is dangerous and must be repaired.
- ▶ **Disconnect the plug from the power source and/or the battery pack from the power tool before making any adjustments, changing accessories, or storing power tools.** Such preventive safety measures reduce the risk of starting the power tool accidentally.
- ▶ **Store idle power tools out of the reach of children and do not allow persons unfamiliar with the power tool or these instructions to operate the power tool.** Power tools are dangerous in the hands of untrained users.
- ▶ **Maintain power tools. Check for misalignment or binding of moving parts, breakage of parts and any other condition that may affect the power tool's operation.** If damaged, have the power tool repaired before use. Many accidents are caused by poorly maintained power tools.
- ▶ **Keep cutting tools sharp and clean.** Properly maintained cutting tools with sharp cutting edges are less likely to bind and are easier to control.

- ▶ **Use the power tool, accessories and tool bits etc. in accordance with these instructions, taking into account the working conditions and the work to be performed.** Use of the power tool for operations different from those intended could result in a hazardous situation.
- ▶ **Keep handles and grasping surfaces dry, clean and free from oil and grease.** Slippery handles and grasping surfaces do not allow for safe handling and control of the tool in unexpected situations.

### Service

- ▶ **Have your power tool serviced by a qualified repair person using only identical replacement parts.** This will ensure that the safety of the power tool is maintained.

### Safety instructions for planers

- ▶ **Ensure good lighting and ventilation of the workplace - during the planing process, large quantities of chips are formed.**
- ▶ **Wait until the blade shaft stops before putting the power tool down. An exposed rotating blade shaft may become stuck in the surface, causing loss of control and serious injury.**
- ▶ **ATTENTION! Failure to comply with the above requirements may result in product damage and failure. This malfunction is not covered by the warranty terms.**
- ▶ **Hold the tool by the insulated surfaces provided as the cutting tool may touch its own cord. Cutting a live cord may charge metal parts of the power tool and could result in electric shock.**
- ▶ **Secure the workpiece to a stable base using clamps or other convenient means. Holding the workpiece in your hand or pressing it against you does not provide a stable hold and it may become out of control.**
- ▶ **Apply the power tool to the workpiece only when it is switched on. Otherwise, there is a risk of kickback when the working tool jams in the part.**
- ▶ **Do not insert your hands into the sawdust ejector. You may be injured by rotating parts.**
- ▶ **Never plan on metal objects, nails or screws. The blades and blade shaft may be damaged and cause excessive vibration.**

- ▶ Use appropriate metal detectors to locate hidden pipes or wiring in the wall, or contact your local utility company for help. Contact with electrical wiring may result in fire and electric shock. Damage to the gas pipeline can lead to an explosion. Damage to the water supply will cause property damage or may cause electric shock.
- ▶ While working, always hold the plane so that the sole of the plane rests flat on the workpiece. Otherwise, the plane may become distorted and cause injury.
- ▶ Do not use excessive force when working with the product. This will not speed up the planing process, but will only reduce the quality of work and shorten the service life of the product.
- ▶ Watch for the ejection of chips from the plane: when planing with a maximum cutting depth, with great pressure, as well as when planing raw wood, the opening of the pipe may become clogged with large or damp chips. To avoid damage, regularly check and clean the pipe opening.
- ▶ Hold the power tool firmly with both hands while working and ensure a stable body position. With two hands you can operate the power tool more securely.

## Product description and specifications



Read all safety warnings and all instructions. Failure to follow the warnings and instructions may result in electric shock, fire and/or serious injury.

### Intended use

The power tool is intended for planing wood-based materials such as beams and boards while resting firmly on the workpiece. It is also suitable for chamfering edges and for rebating.

### Product features

The numbering of the product features refers to the illustration of the machine on the graphics page.

- (1) Planing depth scale
- (2) Planing depth adjustment knob
- (3) Chip remover
- (4) Power button
- (5) Power button lock
- (6) Base plate
- (7) V-groove
- (8) Rubberized handle

- (9) Safety stop
- (10) Knife
- (11) Side (parallel) stop
- (12) Vertical stop (quarter depth limiter)
- (13) Thumbscrew
- (14) Blade sharpener
- (15) Blade adjustment tool
- (16) Socket wrench

### Technical parameter

Model	PEP110-C1
Voltage/Frequency	220 V~/50 Hz
Input Power	1500 W
No-load speed	15000 r/min
Planing width	110 mm(4-5/16")
Max. Planing depth	3.5 mm(1/8")
Weight	6 kg

### Contents of delivery

Electric planer	1 pc
Socket wrench	1 pc
Parallel stop	1 pc
Quarter depth limiter	1 pc
Chip/dust bag	1 pc
Device for sharpening blades	1 pc
Device for adjusting blades	1 pc
User manual	1 pc

### Note

Since the product is constantly being improved, P.I.T. reserves the right to make changes to the specifications and product specifications specified here without prior notice.

The text and numbers of the instructions may contain technical errors and typographical errors.

### Assembling the device for stationary installation of the plane (not included in the delivery package)

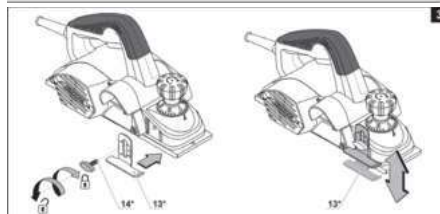
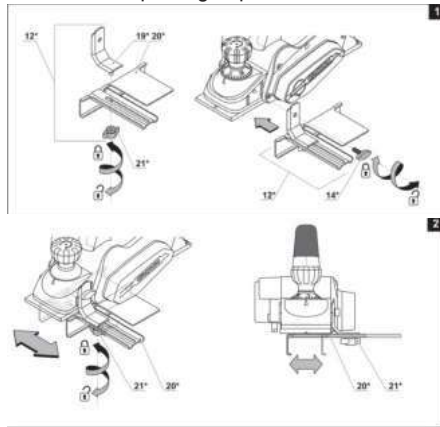
- install the frame on a strong, stable base.
- Secure the plane to the bed using the supplied fasteners.
- use the regulator to set the required planing depth;
- install the protective casing into the bushing on the stand (flat side to the screw) until it stops and secure with the screw.

**Note!** The protective casing covers part of the sole and limits the area processed by the knives by 3-8mm.

**Note!** The ability to operate the product in stationary mode is ensured only by fixing the switch key with the supplied bracket.

### Adjusting the planing depth

Using the adjustment knob, you can adjust the planing depth. Counterclockwise rotation reduces the planing depth. Clockwise rotation increases the planing depth.



### Safety stop

The built-in safety allows you to put the plane down immediately after use without the risk of damaging the working surface of the knife and the workpiece. With the correct orientation of the plane, the safety stop moves into the sole when entering the workpiece.

### Turn on/off

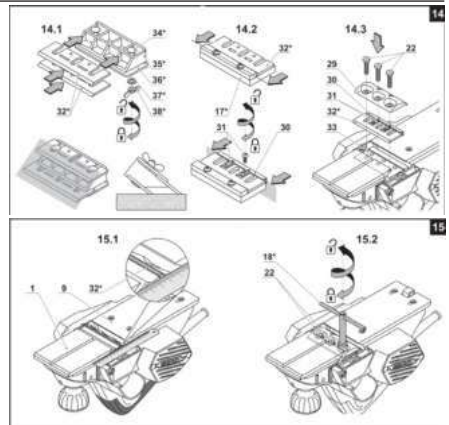
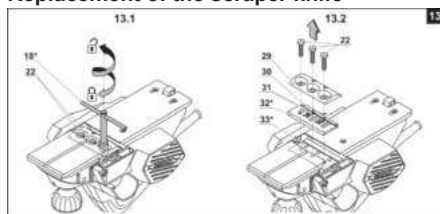
#### Power tools

**Turn on:** To turn on the power tool, press the lock button, and while holding it in this position, press the on/off button.

**Turn off:** To turn the power tool on, release the on/off switch button.

**Note:** For safety reasons, the switch cannot be locked and must be kept pressed during operation.

### Replacement of the scraper knife



The design of the blades 32 provides for the possibility of sharpening. When the cutting edges become dull, the blades 32 are dismantled, sharpened using a special device, and after adjustment they are again mounted on the drum 33.

- Turn the power tool over and unscrew the bolts 22 using a socket wrench 18 (see Fig. 13).
- Remove the cover 29, and the blade 32 assembled with the adjusting plate 30.
- Unscrew the screws 31 and remove the adjusting plate 30 from the blade 32.
- Clean all parts with a soft brush.
- Sharpen blades 32 as described below.
- Before installing a new (sharpened) blade 32, it is necessary to perform adjustment using template 17.
- Place blade 32 on adjustment template 17 (see Fig. 14.2). **Attention:** template 17 is adjusted at the factory and does not require additional adjustment.
- Align the cutting edge of the blade 32 along the protrusion of the template 17. Press the vertical part of the adjustment plate 30 against the vertical surface of the template 17 as shown in Figure 14.2. Align the holes in the adjustment plate 30 with the holes in the blade 32, moving the adjustment plate 30 along the template 17. Tighten the screws 31. **If, due to repeated sharpening, the length of the blade 32 is not enough for adjustment, then both blades 32 must be replaced.**
- Install the blade 32 assembled with the adjusting plate 30 on the drum 33, as shown in Figure 14.3.
- Attach a metal ruler to the side surfaces of support plates 1 and 9 and align the side

of blade 32 with it (see Fig. 15.1).

- Install cover 29 and tighten bolts 22 using socket wrench 18 (see Fig. 15.2).
- Repeat all operations for the second blade 32.

### Sharpening electric planer blades (see Fig. 14.1).

**Attention! Always sharpen both blades 32 at the same time and only using the special tool 16, this will ensure the correct sharpening angle.**

- Remove both blades 32 as described above.
- Loosen the nuts 38 and place both blades 32 on the sharpening device 16 (see Fig. 14.1). The backs of the blades 32 should rest against the stops of the template 35.
- Tighten the nuts 38. The heads of the clamping bolts 34 must securely fix both blades 32, pressing them against the template 35, eliminating displacement. The cutting edges of the blades 32 must be in the same plane (see Fig. 14.1).
- Sharpen both blades 32 on a damp, coarse-grit whetstone.
- Polish both blades 32 on a damp, fine-grain finishing stone. It is also recommended to polish the surfaces of the cutting edges of the blades 32 to ensure best results.
- Install both blades 32 as described above.

### Removing dust and chips

Dust from certain materials, such as lead paints, certain types of wood, minerals and metals, can be harmful to health.

Touching dust and inhaling dust may cause allergic reactions and/or respiratory tract illnesses for the operator or nearby personnel.

Certain types of dust, e.g. oak and beech, are considered carcinogenic, especially in combination with wood additives (chromate, wood preservative). Material containing asbestos must only be processed by specialists.

- If possible, use a dust extraction system suitable for the material.

- Ventilate your work area well.

- It is recommended to use a respiratory mask with a P2 class filter.

Observe the regulations applicable in your country for the materials being processed.

- ▶ **Avoid dust accumulation in the workplace.** Dust can be flammable. Clean the chip spout regularly. To clear a clogged chip spout, use a suitable product, such as a piece of wood, compressed air, etc.
- ▶ **Do not insert your hands into the saw-**

**dust ejector.** You may be injured by rotating parts.

To ensure optimal chip removal, always use an external dust extraction device or dust/chip bag.

### Own dust removal system

For small jobs, you can use a dust/chip bag. Fit the dust bag fitting tightly onto the sawdust outlet. Empty the dust/chip bag promptly to maintain optimal conditions for dust/chip removal.

## Recommendations when working with power tools

### Strictness

- Make sure the workpiece is securely clamped.
- Place the front support plate on the surface to be processed, without the blades contacting the surface to be processed.
- Turn on the power tool and wait until the drum reaches maximum speed.
- After that, move the power tool forward evenly. Control the feed speed - it takes some time to complete the operation. Too high a feed speed will not speed up the work process, but will overload the power tool and negatively affect the quality of the surface being processed.
- At the beginning of the planing process, press harder on the front of the power tool, and at the end - on the back, this will avoid uneven removal of the layer of chips at the beginning and end of planing.
- The planing process is made easier if the workpiece is tilted so that it can be planed at a downward angle.
- Do not turn off the power tool during the operation; first you must interrupt the contact of the blades with the workpiece, for example, raise the power tool above the surface to be processed.

## Recommendations for improving the quality of the resulting surface

The quality of the resulting surface is determined by the depth of planing, feed speed, direction of planing and the condition of the blades.

- **Planing depth** - with a small planing depth, the surface is smoother, but more passes are required to remove a layer of the required thickness.

**For pre-processing** - set a larger planing depth - this will speed up the work process.

**For finishing** - set the planing depth to a lower value - this will result in a smoother sur-

face.

- **Feed speed** - low feed speed results in a smoother surface.
- **Planing direction (along / against the grain)** - when planing along the wood grain, the surface is smoother.
- **Condition of the blades** - when planing with dull blades, or with blades that have nicks or chips, the surface of the wood being processed may have defects (hairiness, longitudinal stripes, etc.). Paying special attention to checking the condition of the blades will make the job safer and help you achieve better results when doing it.

### Folding

- Using the side stop, set the required fold width.
- Using the vertical stop, set the required fold height.
- Perform planing by pressing the side stop against the side surface of the workpiece. Repeat the operation until the desired result is achieved.

### Chamfering edges

The V-shaped groove allows you to chamfer the edges of workpieces.

Tilt the power tool 45° and plan. When performing this operation, pay special attention to the angle of the power tool and the uniformity of feed.

### Equipment Maintenance

- ▶ Before any manipulations with the power tool, remove the plug from the socket.

### ATTENTION:

- Before starting the planer, check that the screws are tightly tightened.
- Before starting the plane, turn the blade holder manually and check that the blades are not hitting anything.
- After replacing the knives, be sure to check the operation of the plane at idle speed.

If any abnormal noise or vibration is observed during operation, do not operate the tool! You must contact an authorized P.I.T. service center to troubleshoot the problem. Before performing any maintenance or testing on the tool, you must remove the plug from the electrical outlet.

### Replacing the drive belt

To replace the drive belt, loosen the screw and remove the belt cover. Remove the worn drive belt. Before installing the new drive belt, thoroughly remove any debris from the pulley and drive train. Install the new drive belt onto the top of the drive train and, while turning it

slowly by hand, press it against large pulley. Make sure the drive belt fits exactly along the drive gear and pulley longitudinal grooves. Place the belt cover back on top and tighten it with the screw so that the drive belt fits exactly into the drive gear and pulley longitudinal grooves.

- To ensure safe and proper operation, always keep the machine and ventilation openings clean.
- Clean the knife guard regularly and ensure its proper operation.
- If the carbon brushes are worn, contact an authorized P.I.T. service center.

### Service


- ▶ Have your power tool repaired only by qualified personnel using original spare parts to ensure safety.

The list of authorized service centers can be viewed on the official P.I.T. website at the link: <https://pittools.ru/services/>

### Storage and transportation

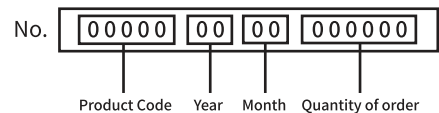
Store the tool indoors with natural ventilation in the packaging at an air temperature of 0°C to +50°C and air humidity not exceeding 80%. Products can be transported by any type of closed transport, with or without manufacturer's packaging, while preserving the product from mechanical damage and precipitation.

### Dispose of waste

 Damaged power tools, batteries, accessories and waste packaging materials must be recycled and reused in an environmentally friendly manner.

Do not throw power tools and accumulators / batteries into general household waste!

### Product serial number interpretation



The date of manufacture of the product is encoded in the serial number printed on the body of the tool. The first 2 digits indicate the year of issue, the next 2 digits indicate the month.

### TERMS OF WARRANTY SERVICE

To customers (users) of warranty service:

1. This warranty certificate is the only document that confirms your right to free warranty service. If this proof is not presented, no

claims will be accepted. Warranty certificates cannot be recovered if lost or damaged.

2. It is required to provide a valid and legal document for purchasing the product. The document must have the name or seal of the sales company; at the same time, state the full model name of the purchased P.I.T. product, the serial number on the nameplate of the fuselage, and the date of purchase, and the required warranty. The whole machine and its accessories.

The warranty period:

1. The warranty period of the product is 12 months from the date of sale. During the warranty period, the service department will eliminate manufacturing defects free of charge and replace the parts that fail due to the manufacturer's fault. In warranty repair, an equivalent operable product is not provided. Replaceable parts become the property of the service provider.

2. The wear degree on the diameter of the motor rotor commutator is less than 0.4 mm (except for brushless motor tools), and the internal damage caused by the quality of the tool belongs to the warranty.

The following situations occur during the warranty period, which is not covered by the warranty:

1. In the absence of any valid legal documents (invoices) such as warranty certificates and warranty cards to prove the date of purchase.

2. Damage caused by natural wear and overload. (For example, motor rotor and stator failure caused by overload, scorching or melting of the primary winding of the welding machine transformer, charging or starting the charging device, melting of internal parts, burning of electronic circuit boards, etc.)

3. The casing and power cord are mechanically damaged, as well as damage caused by corrosive media and high and low temperature, foreign objects entering the ventilation network of the motor, and damage caused by improper storage (corrosion of metal parts);

4. Damage caused by improper carrying, transportation and storage by users.

5. Products that are opened, repaired, replaced or modified by users themselves.

6. Any damage caused by indiscriminate use, beyond the scope of use of the tool, and not in accordance with the instructions for use and maintenance. (see chapter "Safety Precautions" in the manual);

7. The damage caused by the following situations is not guaranteed due to improper use

and non-quality problems:

(1) When the power tool is running at high speed, use the braking device to forcibly stop the rotation.

(2) Excessive pressure is applied to the tool during the use of the tool.

(3) Use the tool outside the scope of its purpose and capabilities.

(4) Damage caused by the tool working in a dusty environment for a long time without timely maintenance of the tool.

(5) Change the rotation direction of the work head before the tool stops completely.

(6) Shock the battery or charger and replace the plug of the charger without permission, causing damage to the battery or charger.

(7) Damage caused by two-stroke gasoline tools not being fueled in the correct proportions.

The warranty does not include:

1. Replacement of accessories (accessories and components) such as batteries, discs, blades, drills, chucks, chains, sprockets, collet clamps, guide rails, tension and fastening elements, dresser heads, grinders And belt sander base machine, hexagonal head, etc.;

2. Wearing parts, such as: carbon brushes, transmission belts, seals, protective covers, guide rollers, guide rails, rubber seals, bearings, toothed belts and wheels, shanks, brake belts, starter ratchets and ropes, piston rings Wait.

The above accessories are replaced with paid services during the warranty period;

## Русский

Указания по технике безопасности  
Общие указания по технике безопасности для электроинструментов



### ПРЕДУПРЕЖДЕНИЕ

Прочтите все указания и инструкции по технике безопасности.

Несоблюдение указаний и инструкций по технике безопасности может стать причиной поражения электрическим током, пожара и тяжелых травм.

**Сохраняйте эти инструкции и указания для будущего использования.**

Использованное в настоящих инструкциях и указаниях понятие «электроинструмент» распространяется на электроинструмент с питанием от сети (с сетевым шнуром) и на аккумуляторный электроинструмент (без сетевого шнура).

### Безопасность рабочего места

- ▶ Содержите рабочее место в чистоте и хорошо освещенным. Беспорядок или неосвещенные участки рабочего места могут привести к несчастным случаям.
- ▶ Не работайте с этим электроинструментом во взрывоопасном помещении, в котором находятся горючие жидкости, воспламеняющиеся газы или пыль. Электроинструменты искрят, что может привести к воспламенению пыли или паров.
- ▶ Во время работы с электроинструментом не допускайте близко к Вашему рабочему месту детей и посторонних лиц. Отвлекшись, Вы можете потерять контроль над электроинструментом.

### Электробезопасность

- ▶ Штепсельная вилка электроинструмента должна подходить к штепсельной розетке. Ни в коем случае не изменяйте штепсельную вилку. Не применяйте переходные штекеры для электроинструментов с защитным заземлением. Неизменные штепсельные вилки и подходящие штепсельные розетки снижают риск поражения электротоком.
- ▶ Предотвращайте телесный контакт с заземленными поверхностями, как то: с трубами, элементами отопления, кухонными плитами и холодильниками. При заземлении Вашего тела повышается риск поражения электротоком.
- ▶ Защищайте электроинструмент от до-

жда и сырости. Проникновение воды в электроинструмент повышает риск поражения электротоком.

- ▶ Не разрешается использовать шнур не по назначению, например, для транспортировки или подвески электроинструмента, или для вытягивания вилки из штепсельной розетки. Защищайте шнур от воздействия высоких температур, масла, острых кромок или подвижных частей электроинструмента. Поврежденный или спутанный шнур повышает риск поражения электротоком.
- ▶ При работе с электроинструментом под открытым небом применяйте пригодные для этого кабели удлинители. Применение пригодного для работы под открытым небом кабеля удлинителя снижает риск поражения электротоком.
- ▶ Если невозможно избежать применения электроинструмента в сыром помещении, подключайте электроинструмент через устройство защитного отключения. Применение устройства защитного отключения снижает риск поражения электрическим током.

### Безопасность людей

- ▶ Будьте внимательными, следите за тем, что Вы делаете, и продуманно начинайте работу с электроинструментом. Не пользуйтесь электроинструментом в усталом состоянии или если Вы находитесь в состоянии наркотического алкогольного опьянения или под воздействием лекарств. Один момент невнимательности при работе с электроинструментом может привести к серьезным травмам.
- ▶ Применяйте средства индивидуальной защиты и всегда защитные очки. Использование средств индивидуальной защиты, как то: защитной маски, обуви на нескользящей подошве, защитного шлема или средств защиты органов слуха, – в зависимости от вида работы с электроинструментом снижает риск получения травм.
- ▶ Предотвращайте непреднамеренное включение электроинструмента. Перед подключением электроинструмента к электропитанию и/или к аккумулятору убедитесь в выключенном состоянии электроинструмента.

Удержание пальца на выключателе при транспортировке и подключение к сети питания включенного электроинструмента чревато несчастными случаями.

- ▶ **Убирайте установочный инструмент или гаечные ключи до включения электроинструмента.** Инструмент или ключ, находящийся во вращающейся части электроинструмента, может привести к травмам.
- ▶ **Не принимайте неестественное положение корпуса тела. Всегда занимайте устойчивое положение и сохраняйте равновесие.** Благодаря этому Вы можете лучше контролировать электроинструмент в неожиданных ситуациях.
- ▶ **Носите подходящую рабочую одежду. Не носите широкую одежду и украшения. Держите волосы, одежду и рукавицы вдали от движущихся частей.** Широкая одежда, украшения или длинные волосы могут быть затянуты вращающимися частями.
- ▶ **При наличии возможности установки пылеотсасывающих и пылесборных устройств проверяйте их присоединение и правильное использование.** Применение пылесоса может снизить опасность, создаваемую пылью.
- ▶ **Хорошее знание электроинструментов, полученное в результате частого их использования, не должно приводить к самоуверенности и игнорированию техники безопасности обращения с электроинструментами.** Одно небрежное действие за долю секунды может привести к серьезным травмам.
- ▶ **ВНИМАНИЕ!** В случае возникновения перебоя в работе электроинструмента вследствие полного или частичного прекращения энергоснабжения или повреждения цепи управления энергоснабжением установите выключатель в положение Выкл., убедившись, что он не заблокирован (при его наличии). Отключите сетевую вилку от розетки или отсоедините съёмный аккумулятор. Этим предотвращается неконтролируемый повторный запуск.
- ▶ **Квалифицированный персонал в соответствии с настоящим руководством подготавливает лиц, которые знакомы с регулировкой, монтажом, вводом в эксплуатацию обслуживанием электроинструмента.**
- ▶ **К работе с электроинструментом допу-**

скаются лица не моложе 18 лет, изучившие техническое описание, инструкцию по эксплуатации и правила безопасности.

- ▶ Изделие не предназначено для использования лицами (включая детей) с пониженными физическими, чувственными или умственными способностями или при отсутствии у них жизненного опыта или знаний, если они не находятся под контролем или не проинструктированы об использовании электроинструмента лицом, ответственным за их безопасность.

## Применение электроинструмента и обращение с ним

- ▶ **Не перегружайте электроинструмент. Используйте для Вашей работы предназначенный для этого электроинструмент.** С подходящим электроинструментом Вы работаете лучше и надежнее в указанном диапазоне мощности.
- ▶ **Не работайте с электроинструментом при неисправном выключателе.** Электроинструмент, который не поддается включению или выключению, опасен и должен быть отремонтирован.
- ▶ **Храните электроинструменты в недоступном для детей месте. Не разрешайте пользоваться электроинструментом лицам, которые не знакомы с ним или не читали настоящих инструкций.** Электроинструменты опасны в руках неопытных лиц.
- ▶ **Тщательно ухаживайте за электроинструментом. Проверяйте ход движущихся частей электроинструмента, отсутствие поломок или повреждений, отрицательно влияющих на функцию электроинструмента. Поврежденные части должны быть отремонтированы до использования электроинструмента.** Плохое обслуживание электроинструментов является причиной большого числа несчастных случаев.
- ▶ **Держите режущий инструмент в заточенном и чистом состоянии.** Заботливо ухоженные режущие инструменты с острыми режущими кромками режут легче и их легче вести.
- ▶ **Применяйте электроинструмент, принадлежность, рабочие инструменты и т. п. в соответствии с настоящими**

инструкциями. Учитывайте при этом рабочие условия и выполняемую работу. Использование электроинструментов для непредусмотренных работ может привести к опасным ситуациям.

- ▶ Держите ручки и поверхности захвата сухими и чистыми, следите чтобы на них не было жидкой или консистентной смазки. Скользкие ручки и поверхности захвата препятствуют безопасному обращению с инструментом и не дают надежно контролировать его в непредвиденных ситуациях.

### Правила безопасности во время работы с электрическим рубанком

- ▶ Соблюдайте чистоту на рабочем месте. Уберите из рабочей зоны ненужные тряпки, одежду, порванные шнуры и веревки.
- ▶ Избегайте попадания металлических предметов под нож рубанка. Проверьте верстак и обрабатываемую деталь на наличие гвоздей, шурупов, болтов, а также песка.
- ▶ Соблюдайте осторожность во время снятия и установки ножа.
- ▶ Перед работой проверьте затяжку юстировочного винта.
- ▶ Держите инструмент двумя руками при выполнении режущих и строгальных работ.
- ▶ Перед строганием и резанием дайте инструменту немного поработать вхолостую, чтобы посмотреть, нет ли вибраций и колебаний строгального ножа. Возможно, нож был установлен неправильно или без балансировки.
- ▶ Убедитесь в том, что нож не может касаться обрабатываемой детали до включения питания.
- ▶ Перед началом строгальных работ убедитесь в том, что инструмент достиг полной частоты вращения.
- ▶ Держитесь на расстоянии минимум 200 мм от инструмента.
- ▶ Перед выполнением регулировок отключите питание, выдерните шнур из розетки и подождите, пока шпиндель не остановится окончательно.
- ▶ Не убирайте деревянные обрезки руками. При резании дерева стружка легко попадает в выемку барабана. Очистите ее с помощью палочки.
- ▶ Прежде чем положить рубанок на

место, отключите питание. Поставьте рубанок подошвой вверх, чтобы нож ничего не касался.

- ▶ Шпиндель, нож, крышку ножа необходимо заменять. Не допускайте нарушения балансировки и сокращайте время использования инструмента. Сохраните данную инструкцию.

### Описание продукта и услуг



Прочтите все указания и инструкции по технике безопасности.

Несоблюдение указаний по технике безопасности и инструкций может привести к поражению электрическим током, пожару и/или тяжелым травмам.

Пожалуйста, соблюдайте иллюстрации в начале руководства по эксплуатации.

### Применение по назначению

Данный электроинструмент предназначен для строгания древесных материалов, например, балок и досок, лежащих на прочной опоре. Он также пригоден для скашивания кромок и для выборки четверти.

### Изображенные составные части

Нумерация представленных компонентов выполнена по изображению на странице с иллюстрациями.

- (1) Шкала глубины строгания
- (2) Ручка установки глубины строгания
- (3) Стружкоудалитель
- (4) Кнопка включения
- (5) Блокировка кнопки включения
- (6) Опорная плита
- (7) V-образный паз
- (8) Прорезиненная рукоять
- (9) Предохранительный упор
- (10) Нож
- (11) Боковой(параллельный) упор
- (12) Вертикальный упор (ограничитель глубины выборки четверти)
- (13) Барашковый винт
- (14) Приспособление для заточки лезвий
- (15) Приспособление для юстировки лезвий
- (16) Ключ торцовый

### Технические данные

Модель	PEP110-C1
Номинальные напряжение/частота	220 В / 50 Гц
Номинальная мощность	1500 Вт
Частота вращения	15000 об/мин
Ширина строгания	110 мм(4-5/16")

Максимальная глубина строгания	3.5 мм(1/8")
Вес	6 кг

### Комплект поставки

Рубанок электрический	1 шт
Торцевой ключ	1 шт
Параллельный упор	1 шт
Ограничитель глубины четверти	1 шт
Мешок для стружки / пыли	1 шт
Приспособление для заточки лезвий	1 шт
Приспособление для юстировки лезвий	1 шт
Инструкция пользователя	1 шт

### Примечание

Так как изделие постоянно совершенствуется, P.I.T. оставляет за собой право на внесение изменений в указанные здесь технические характеристики и комплектацию изделия без предварительного уведомления.

В тексте и цифровых обозначениях инструкции могут быть допущены технические ошибки и опечатки.

### Сборка приспособления для стационарной установки рубанка(не входит в комплект поставки)

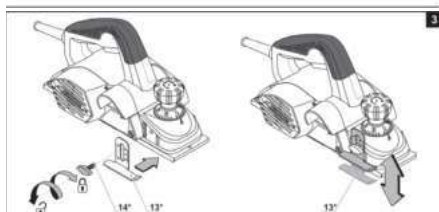
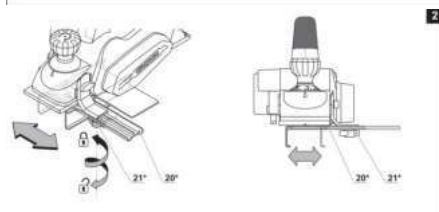
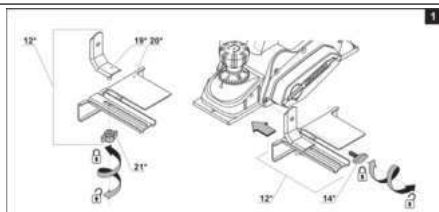
- установите станину прочном, устойчивом основании.
- Закрепите рубанок на станине с помощью прилагаемого крепежа.
- регулятором установите необходимую глубину строгания;
- установите защитный кожух во втулку на подставке (плоской стороной к винту) до упора и зафиксируйте винтом.

**Примечание!** Защитный кожух перекрывает часть подошвы и ограничивает обрабатываемую ножами зону на 3-8мм.

**Примечание!** Возможность работы изделия в стационарном режиме обеспечивается только при фиксации клавиши выключателя прилагаемой скобой.

### Регулировка глубины строгания

С помощью регулировочной ручки можно регулировать глубину строгания. Вращение против часовой стрелки уменьшает глубину строгания. Вращение по часовой стрелке увеличивает глубину строгания.



### Предохранительный упор

Встроенный предохранитель позволяет поставить рубанок сразу же после использования без риска повреждения рабочей поверхности ножа и обрабатываемой детали. При правильной ориентации рубанка предохранительный упор сдвигается в подошву при заходе на заготовку.

### Включение / выключение

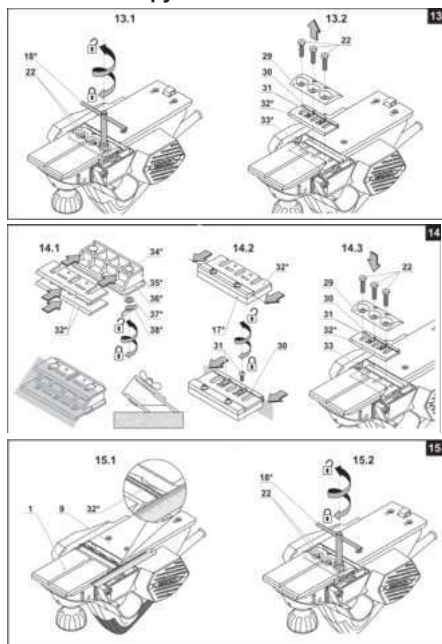
#### Электроинструмента

**Включение:** Для включения электроинструмента нажмите кноп-ку блокировки, и удерживая ее в этом положении, нажмите кнопку выключателя / выключателя.

**Выключение:** Для выключения электроинструмента отпустите кнопку выключателя / выключателя.

**Указание:** Из соображений безопасности выключатель не может быть зафиксирован и при работе его следует постоянно держать нажатым.

## Замена ножа рубанка



Конструкция лезвий 32 предусматривает возможность заточки. При затуплении режущих кромок, лезвия 32 демонтируют, затачивают при помощи специального приспособления, и после юстировки опять монтируют на барабан 33.

- Переверните электроинструмент и открутите болты 22 при помощи торцового ключа 18 (см. рис. 13).
- Снимите крышку 29, и лезвие 32 в сборе с регулировочной пластиной 30.
- Открутите винты 31 и снимите регулировочную пластину 30 с лезвия 32.
- Очистите все детали при помощи мягкой кисточки.
- Произведите заточку лезвий 32, как описано ниже.
- Перед установкой нового (заточенного) лезвия 32 необходимо произвести юстировку при помощи шаблона 17.
- Поместите лезвие 32 на шаблон для юстировки 17 (см. рис. 14.2). **Внимание: шаблон 17 отрегулирован на заводе и не нуждается в дополнительной регулировке.**
- Выверните режущую кромку лезвия 32 вдоль выступа шаблона 17. Вертикальную часть регулировочной пластины 30 прижмите к вертикальной поверхности

шаблона 17 как показано на рисунке 14.2. Совместите отверстия в регулировочной пластине 30 с отверстиями в лезвии 32, перемещая регулировочную пластину 30 вдоль шаблона 17. Закрутите винты 31. **Если, из-за многократных заточек, длины лезвия 32 недостаточно для осуществления юстировки, то оба лезвия 32 подлежат замене.**

- Установите лезвие 32 в сборе с регулировочной пластиной 30 на барабан 33, как показано на рисунке 14.3.
- Приложите к боковым поверхностям опорных плит 1 и 9 металлическую линейку и выровняйте по ней боковую часть лезвия 32 (см. рис. 15.1).
- Установите крышку 29 и затяните болты 22 при помощи торцового ключа 18 (см. рис. 15.2).
- Повторите все операции для второго лезвия 32

#### Заточка лезвий электрорубанка (см. рис. 14.1)

**Внимание! Всегда затачивайте оба лезвия 32 одновременно и только при помощи специального приспособления 16, это обеспечит правильный угол заточки.**

- Демонтируйте оба лезвия 32, как описано выше.
- Ослабьте гайки 38 и поместите оба лезвия 32 на приспособление для заточки 16 (см. рис. 14.1). Задние части лезвий 32 должны упираться в упоры шаблона 35.
- Затяните гайки 38. Головки зажимных болтов 34 должны надежно зафиксировать оба лезвия 32, прижав их к шаблону 35, исключая смещение. Режущие кромки лезвий 32 должны находиться в одной плоскости (см. рис. 14.1).
- Произведите заточку обоих лезвий 32 на влажном точильном камне с крупным зерном.
- Произведите доводку обоих лезвий 32 на влажном доводочном камне с мелким зерном. Рекомендуется также произвести полировку поверхностей режущих кромок лезвий 32 это обеспечит наилучшие результаты работы.
- Установите оба лезвия 32, как описано выше.

#### Удаление пыли и стружки

Пыль некоторых материалов, как напр., красок с содержанием свинца, некоторых сортов древесины, минералов и металлов,

может быть вредной для здоровья.

Прикосновение к пыли и попадание пыли в дыхательные пути может вызвать аллергические реакции и/или заболевания дыхательных путей оператора или находящегося вблизи персонала.

Определенные виды пыли, напр., дуба и бука, считаются канцерогенными, особенно совместно с присадками для обработки древесины (хромат, средство для защиты древесины). Материал с содержанием асбеста разрешается обрабатывать только специалистам.

- По возможности используйте пригодную для материала систему пылеудаления.

- Хорошо проветривайте рабочее место.

- Рекомендуется пользоваться респираторной маской с фильтром класса P2.

Соблюдайте действующие в Вашей стране предписания для обрабатываемых материалов.

► **Избегайте скопления пыли на рабочем месте.** Пыль может легко воспламениться. Регулярно очищайте патрубков для выброса стружки. Для очистки забившегося патрубка для выброса стружки пользуйтесь подходящим средством, напр., куском древесины, сжатым воздухом и пр.

► **Не вставляйте руки в патрубок для выброса опилок.** Вы можете пораниться вращающимися деталями.

Для обеспечения оптимального удаления стружки всегда используйте внешнее устройство пылеудаления или мешок для пыли/стружки.

### **Собственная система пылеудаления**

При мелких работах можно использовать мешок для пыли/стружки. Плотнo наденьте штуцер мешка для пыли на патрубок для выброса опилок. Вовремя опорожняйте мешок для пыли/стружки, чтобы поддерживать оптимальные условия для удаления пыли/стружки.

### **Рекомендации при работе электроинструментом**

#### **Строгание**

- Убедитесь, что заготовка надежно зафиксирована.
- Установите переднюю опорную плиту на обрабатываемую поверхность, без контакта лезвий с обрабатываемой поверхностью.
- Включите электроинструмент и подо-

ждите, пока барабан не наберет максимальные обороты.

- После чего, равномерно перемещайте электроинструмент вперед. Контролируйте скорость подачи - для выполнения операции требуется некоторое время. Слишком большая скорость подачи не ускорит процесс выполнения работы, но перегрузит электроинструмент и отрицательно скажется на качестве обрабатываемой поверхности.
- В начале процесса строгания прижмите сильнее переднюю часть электроинструмента, а в конце - заднюю, это позволит избежать неравномерного снятия слоя стружки в начале и в конце строгания.
- Процесс строгания облегчается, если заготовку наклонить, для того, чтобы ее можно было строгать с наклоном вниз.
- Не выключайте электроинструмент в процессе выполнения операции, сначала необходимо прервать контакт лезвий с заготовкой, например, поднять электроинструмент над обрабатываемой поверхностью.

#### **Рекомендации по улучшению качества получаемой поверхности**

Качество получаемой поверхности определяется глубиной строгания, скоростью подачи, направлением строгания и состоянием лезвий.

- **Глубина строгания** - при малой глубине строгания поверхность получается более гладкой, но требуется большее количество проходов для снятия слоя необходимой толщины.

**Для предварительной обработки** - устанавливайте большее значение глубины строгания - это ускорит процесс выполнения работы.

**Для окончательной обработки** - устанавливайте меньшее значение глубины строгания - это позволит получить более гладкую поверхность.

- **Скорость подачи** - при малой скорости подачи поверхность получается более гладкой.
- **Направление строгания (вдоль / против волокон)** - при строгании вдоль волокон древесины поверхность получается более гладкой.
- **Состояние лезвий** - при строгании затупленными лезвиями, или лезвиями имеющими зазубрины или сколы, поверхность обрабатываемой древесины

может иметь дефекты (ворсистость, продольные полосы и пр.). Уделяйте особое внимание контролю состояния лезвий, это сделает работу более безопасной и поможет добиться лучших результатов при ее выполнении.

#### Фальцевание

- При помощи бокового упора установите необходимую ширину фальца.
- При помощи вертикального упора установите необходимую высоту фальца.
- Произведите строгание, прижимая боковой упор к боковой поверхности заготовки. Повторяйте операцию, пока не будет достигнут желаемый результат.

#### Снятие фаски с краев

V-образный паз позволяет снимать фаски на краях обрабатываемых заготовок.

Наклоните электроинструмент на 45° и произведите строгание. При выполнении операции особое внимание уделяйте углу наклона электроинструмента и равномерности подачи.

#### Техническое обслуживание обслуживания

- ▶ **Перед любыми манипуляциями с электроинструментом вытаскивайте штепсель из розетки.**

#### ВНИМАНИЕ:

- Перед запуском рубанка проверьте, хорошо ли затянуты винты.
- Перед запуском рубанка поверните держатель ножей вручную и проверьте, не задевают ли ножи за что-либо.
- После замены ножей обязательно проверьте работу рубанка на холостом ходу. Если при работе наблюдаются посторонние шумы или вибрация, работать инструментом запрещено! Необходимо обратиться в авторизованный сервисный центр P.I.T. для устранения неполадок. Перед выполнением каких-либо работ по обслуживанию или проверке инструмента необходимо вытащить вилку из электрической розетки.

#### Замена приводного ремня

Чтобы заменить приводной ремень, ослабьте винт и снимите крышку ремня. Снимите изношенный приводной ремень. Перед установкой нового приводного ремня тщательно уберите все загрязнения со шкива и ведущего механизма. Установите новый приводной ремень на верхнюю часть ведущего механизма и, медленно поворачивая его рукой, прижмите к большому шкиву. Убедитесь в том, что приводной ремень

проходит точно вдоль продольных канавок ведущего механизма и шкива. Верните крышку ремня на верхнюю часть и затяните ее винтом таким образом, чтобы приводной ремень попал точно в продольные канавки ведущего механизма и шкива.

- Для обеспечения безопасной и надежной работы всегда держите станок и вентиляционные отверстия в чистоте.
- Регулярно чистите предохранитель ножа и обеспечивайте его исправную работу.
- В случае износа угольных щеток обратитесь в авторизованный сервисный центр P.I.T.

#### Сервис

- ▶ Ремонт вашего электроинструмента поручайте только квалифицированному персоналу и только с применением оригинальных запасных частей. Этим обеспечивается безопасность.

Список авторизованных сервисных центров можно посмотреть на официальном сайте P.I.T. по ссылке: <https://pittools.ru/servises/>

#### Хранение и транспортировка

Храните инструмент в закрытых помещениях с естественной вентиляцией в упаковке при температуре воздуха от 0°C до +50°C и влажности воздуха не более 80%.

Транспортировать продукцию можно любым видом закрытого транспорта в упаковке производителя или без нее, с сохранением изделия от механических повреждений, атмосферных осадков.

#### Утилизация



Отслужившие свой срок электроинструменты, принадлежности и упаковку следует сдавать на экологически чистую переработку отходов.

Утилизируйте электроинструмент отдельно

#### Расшифровка даты изготовления изделия

No.	00000	00	00	000000
	Код продукта	Год	Месяц	Номер в партии

Дата изготовления изделия зашифрована в серийном номере, напечатанном на корпусе инструмента. Первые 2 цифры обозначают год выпуска, следующие 2 цифры – месяц.

## УСЛОВИЯ ГАРАНТИЙНОГО ОБСЛУЖИВАНИЯ

1. Настоящее гарантийное свидетельство является единственным документом, подтверждающим ваше право на бесплатное гарантийное обслуживание. Без предъявления данного свидетельства претензии не принимаются. В случае утери или порчи гарантийное свидетельство не восстанавливается.

2. Гарантийный срок указан в гарантийном сертификате. В течение гарантийного срока сервисная служба бесплатно устраняет производственные дефекты и производит замену деталей, вышедших из строя по вине изготовителя. На период гарантийного ремонта эквивалентный исправный инструмент не предоставляется. Заменяемые детали переходят в собственность службы сервиса.

Компания P.I.T. не несет ответственности за вред, который может быть причинен при работе с электроинструментом.

3. В гарантийный ремонт инструмент принимается в чистом виде, при обязательном наличии надлежащим образом оформленных документов: настоящего гарантийного свидетельства, гарантийного талона, с полностью заполненными полями, штампом торговой организации и подписью покупателя.

4. Гарантийный ремонт не производится в следующих случаях:

- при отсутствии гарантийного свидетельства и гарантийного талона или неправильном их оформлении;
- степень износа диаметра коллектора ротора двигателя превышает 0,4 мм (за исключением инструментов с бесщеточным двигателем);
- при совместном выходе из строя якоря и статора электродвигателя, при обугливание или оплавлении первичной обмотки трансформатора сварочного аппарата, зарядного или пуско-зарядного устройства, при оплавлении внутренних деталей, прожиге электронных плат и других случаях;
- если гарантийное свидетельство или талон не принадлежат данному электроинструменту или не соответствует установленному поставщиком образцу;
- по истечении срока гарантии;
- при попытках самостоятельного вскрытия или ремонта электроинструмента вне гарантийной мастерской;

- внесения конструктивных изменений и смазки инструмента в гарантийный период, о чем свидетельствуют, например, заломы на шлицевых частях крепежа корпусных деталей;

- при использовании электроинструмента в производственных или иных целях, связанных с получением прибыли, а также при возникновении неисправностей связанных с нестабильностью параметров электросети, превышающих нормы, установленные ГОСТ;

- при неправильной эксплуатации, использованию электроинструмента не по назначению, указанному в инструкции по эксплуатации, установкам на электроинструмент не предназначенных заводом-изготовителем насадок, дополнительных приспособлений и т.п.;

- при механических повреждениях корпуса, сетевого шнура и при повреждениях, вызванных воздействиями агрессивных средств и высоких и низких температур, попадании инородных предметов в вентиляционные решетки электроинструмента, а также при повреждениях, наступивших в результате неправильного хранения (коррозия металлических частей);

- при естественном износе деталей электроинструмента, в результате длительной эксплуатации (определяется по признакам полной или частичной выработки ресурса, сильного загрязнения, ржавчины снаружи и внутри электроинструмента, отработанной смазки в редукторе);

- при возникновении повреждений в связи с несоблюдением предусмотренных инструкцией условий эксплуатации (см. главу «Указание по технике безопасности» в инструкции).

- при повреждении изделия вследствие несоблюдения правил хранения и транспортировки;

- при сильном внутреннем загрязнении инструмента;

- при работе с перегрузкой бензоинструмента, изменении цвета чашки и муфты сцепления в результате перегрева;

- при обрыве шнура стартера при условии исправности остальных деталей пускового устройства;

- на все виды работ, выполняемые при периодическом техническом обслуживании (регулировки, чистке, замене расходных материалов и др.);

- на неисправности, возникшие в резуль-

тате нарушения требований и правил эксплуатации, установленным паспортом изделия. Например, перегрев изделия, несоблюдение требований к составу и качеству топливной смеси, повлекших выход из строя поршневой группы (безусловным признаком этого является залегание поршневого кольца и/или наличие царапин и потертостей на внутренней поверхности цилиндра и поверхности поршня, разрушение или оплавление опорных подшипников шатуна и поршневого пальца);

- на внешние и внутренние загрязнения, царапины, трещины, повреждения, возникшие в процессе эксплуатации или транспортировки.

- при работе электроинструментом с перегрузкой и заклиниванием оснастки, о чем свидетельствуют задиры, изменение цвета от температуры упорных и прижимных шайб, зажимного патрона, выхода из строя редуктора.

Профилактическое обслуживание электроинструмента (чистка, промывка, смазка, замена пыльников, поршневых и уплотнительных колец) в гарантийный период является платной услугой.

Срок службы изделия составляет 3 года. Срок хранения – 2 года. Не рекомендуется к эксплуатации по истечении 2 лет хранения с даты изготовления, которая указана в серийном номере на этикетке инструмента, без предварительной проверки (определение даты выпуска смотрите ранее в Руководстве пользователя).

О возможных нарушениях, изложенных выше условий гарантийного обслуживания, владельцу сообщается после проведения диагностики в сервисном центре. Владелец инструмента доверяет проведение диагностики в сервисном центре в свое отсутствие.

Запрещается эксплуатация электроинструмента при проявлении признаков повышенного нагрева, искрения, а также шума в редукторной части. Для выяснения причин неисправности покупателю следует обратиться в гарантийную мастерскую.

Неисправности, вызванные несвоевременной заменой угольных щеток двигателя, устраняются за счет покупателя.

5.Гарантия не распространяется на:

- сменные принадлежности (аксессуары и оснастка), например: аккумуляторы, диски, ножи, сверла, буры, патроны, цепи, звездочки, цанговые зажимы, шины, элементы

натяжения и крепления, головки триммеров, подошвы шлифовальных и ленточных машин, фильтры, головки шестигранные сменные насадки и т.п.

- быстроизнашивающиеся детали, например: угольные щетки, приводные ремни, сальники, защитные кожухи, направляющие ролики, направляющие, резиновые уплотнения, подшипники, зубчатые ремни и колеса, стволы, ленты тормоза, храповики и тросы стартеров, поршневые кольца и т.п.

Замена их в течение гарантийного срока является платной услугой.

- шнуры питания, в случае повреждения изоляции. В данном случае потребитель должен быть уведомлен и ремонт (услуга платная) должен быть выполнен после согласия потребителя. Если потребитель не согласен на замену, то в любом ремонте этого инструмента будет отказано. Факт отказа должен быть зафиксирован в гарантийном талоне или квитанции сервисного центра и подписан владельцем.



**ГАРАНТИЙНОЕ СВИДЕТЕЛЬСТВО НА ИНСТРУМЕНТ Р.І.Т.**

Наименование изделия \_\_\_\_\_

Серийный номер изделия □□□□□□□□□□

Серийный номер зарядного устройства □□□□□□□□□□

Дата продажи « \_\_\_\_ » \_\_\_\_\_

Наименование торговой организации \_\_\_\_\_

Уважаемый покупатель!

М.П.

Благодарим Вас за покупку инструмента Р.І.Т. и надеемся, что Вы останетесь довольны своим выбором.

При необходимости обслуживания Вашего изделия обращайтесь в авторизованные сервисные центры Р.І.Т. Все сервисные центры представлены на сайте [www.pittools.ru](http://www.pittools.ru)

**Внимание!**

При покупке требуйте у продавца проверки работоспособности инструмента и его комплектности, а также заполнения гарантийного свидетельства, гарантийного талона (графы «Заполняются продавцом») и простановки печати торговой организации в гарантийном свидетельстве и гарантийных талонах.

**Гарантия**

На основании данного гарантийного свидетельства компания Р.І.Т. гарантирует отсутствие дефектов производственного характера.

Если в течение гарантийного срока в Вашем изделии обнаружатся указанные дефекты, то специализированные сервисные центры Р.І.Т. бесплатно отремонтируют изделие и заменят дефектные запасные части.

Гарантийный срок на электроинструменты Р.І.Т. составляет 12 месяцев со дня продажи.

«С условиями гарантийного обслуживания ознакомлен(а). Работоспособность и комплектность изделия проверены в моем присутствии. Претензий к качеству и внешнему виду не имею».

Подпись покупателя \_\_\_\_\_ Фамилия (разборчиво)

Телефон \_\_\_\_\_

# P.I.T. WARRANTY CARD

Name _____ Serial Number _____ Sale Date _____ 20__ Date of Receipt from Repair _____ 20__	<b>P.I.T.</b>	<b>№ 1</b>
	Name _____	
	Serial Number _____	
	Sale Date _____ 20__	
	Place of Seal	
	(Filled out by a Seller)	
	WARRANTY REPAIR CARD	
	Date of Acceptance for Repair _____ 20__	
	Application for Repair _____	
	Customer _____	
Phone (Address) _____		
Cause of Application _____		
Date of Receipt from Repair _____ 20__		
The Tool is checked in my presence _____		
(The Order shall be performed in a Service Center) (Signature)		

Name _____ Serial Number _____ Sale Date _____ 20__ Date of Receipt from Repair _____ 20__	<b>P.I.T.</b>	<b>№ 2</b>
	Name _____	
	Serial Number _____	
	Sale Date _____ 20__	
	Place of Seal	
	(Filled out by a Seller)	
	WARRANTY REPAIR CARD	
	Date of Acceptance for Repair _____ 20__	
	Application for Repair _____	
	Customer _____	
Phone (Address) _____		
Cause of Application _____		
Date of Receipt from Repair _____ 20__		
The Tool is checked in my presence _____		
(The Order shall be performed in a Service Center) (Signature)		

Name _____ Serial Number _____ Sale Date _____ 20__ Date of Receipt from Repair _____ 20__	<b>P.I.T.</b>	<b>№ 3</b>
	Name _____	
	Serial Number _____	
	Sale Date _____ 20__	
	Place of Seal	
	(Filled out by a Seller)	
	WARRANTY REPAIR CARD	
	Date of Acceptance for Repair _____ 20__	
	Application for Repair _____	
	Customer _____	
Phone (Address) _____		
Cause of Application _____		
Date of Receipt from Repair _____ 20__		
The Tool is checked in my presence _____		
(The Order shall be performed in a Service Center) (Signature)		

## ГАРАНТИЙНЫЙ ТАЛОН P.I.T.

P.I.T.

Талон № 1

Наименование \_\_\_\_\_

Серийный номер \_\_\_\_\_

Дата продажи « \_\_\_\_ » \_\_\_\_ 20\_\_

(Заполняется продавцом)

КАРТА ГАРАНТИЙНОГО РЕМОНА

Дата приема ремонт \_\_\_\_ 20\_\_

Заявка на ремонт \_\_\_\_\_

Заказчик \_\_\_\_\_

Телефон (адрес) \_\_\_\_\_

Причина обращения \_\_\_\_\_

Дата получения от ремонта \_\_\_\_ 20\_\_

Инструмент проверен в моем присутствии \_\_\_\_\_

(Заказ заполняется в Сервисном Центре) (Подпись)

Место печати  
или штампа

Наименование \_\_\_\_\_  
 Серийный номер \_\_\_\_\_  
 Дата продажи \_\_\_\_ 20\_\_  
 Дата получения от ремонта \_\_\_\_ 20\_\_

P.I.T.

Талон № 2

Наименование \_\_\_\_\_

Серийный номер \_\_\_\_\_

Дата продажи « \_\_\_\_ » \_\_\_\_ 20\_\_

(Заполняется продавцом)

КАРТА ГАРАНТИЙНОГО РЕМОНА

Дата приема ремонт \_\_\_\_ 20\_\_

Заявка на ремонт \_\_\_\_\_

Заказчик \_\_\_\_\_

Телефон (адрес) \_\_\_\_\_

Причина обращения \_\_\_\_\_

Дата получения от ремонта \_\_\_\_ 20\_\_

Инструмент проверен в моем присутствии \_\_\_\_\_

(Заказ заполняется в Сервисном Центре) (Подпись)

Место печати  
или штампа

Наименование \_\_\_\_\_  
 Серийный номер \_\_\_\_\_  
 Дата продажи \_\_\_\_ 20\_\_  
 Дата получения от ремонта \_\_\_\_ 20\_\_

P.I.T.

Талон № 3

Наименование \_\_\_\_\_

Серийный номер \_\_\_\_\_

Дата продажи « \_\_\_\_ » \_\_\_\_ 20\_\_

(Заполняется продавцом)

КАРТА ГАРАНТИЙНОГО РЕМОНА

Дата приема ремонт \_\_\_\_ 20\_\_

Заявка на ремонт \_\_\_\_\_

Заказчик \_\_\_\_\_

Телефон (адрес) \_\_\_\_\_

Причина обращения \_\_\_\_\_

Дата получения от ремонта \_\_\_\_ 20\_\_

Инструмент проверен в моем присутствии \_\_\_\_\_

(Заказ заполняется в Сервисном Центре) (Подпись)

Место печати  
или штампа

Наименование \_\_\_\_\_  
 Серийный номер \_\_\_\_\_  
 Дата продажи \_\_\_\_ 20\_\_  
 Дата получения от ремонта \_\_\_\_ 20\_\_



# P.I.T.

## Media account

---

 [pit\\_global](#)  [PIT Global](#)  [YouTube](#) [PIT Global](#)

 [bod@pit-tools.com](mailto:bod@pit-tools.com)  [www.pit-tools.com](http://www.pit-tools.com)