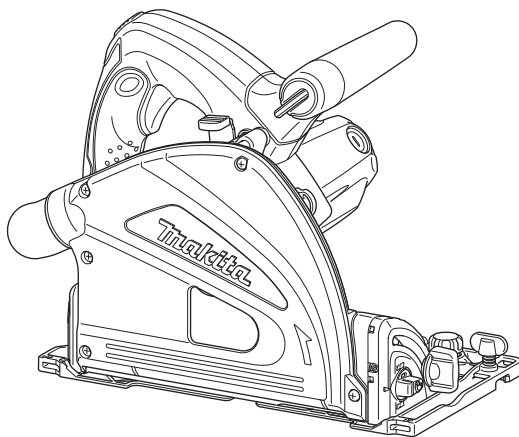




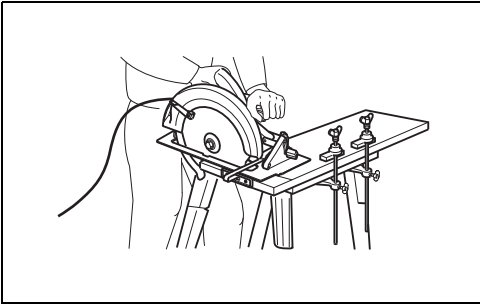
| | | |
|-----------|--|--------------------------------|
| GB | Plunge Cut Circular Saw | Instruction manual |
| F | Scie circulaire plongeante | Manuel d'instructions |
| D | Tauchsäge | Betriebsanleitung |
| I | Sega circolare ad immersione | Istruzioni per l'uso |
| NL | Invalcirkelzaag | Gebruiksaanwijzing |
| E | Sierra de incisión | Manual de instrucciones |
| P | Serra circular de corte a fundo | Manual de instruções |
| DK | Rundsav til indstikssnit | Brugsanvisning |
| GR | Δισκοπρίονο βαθιάς κοπής | Οδηγίες χρήσης |

SP6000



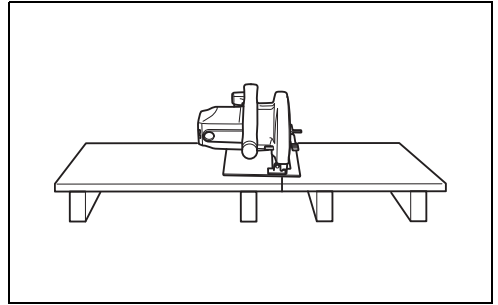
0976201





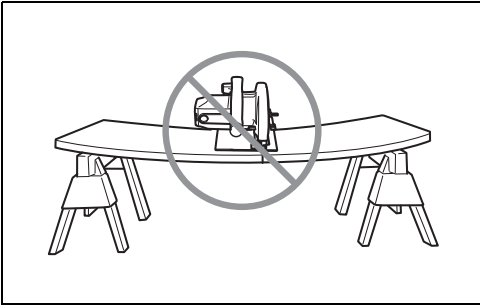
1

000157



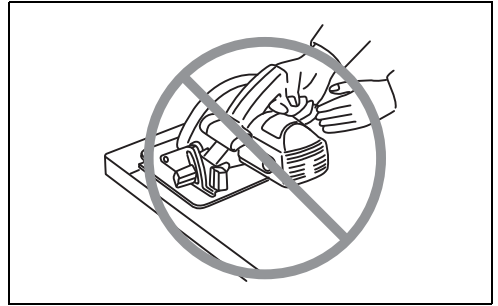
2

000154



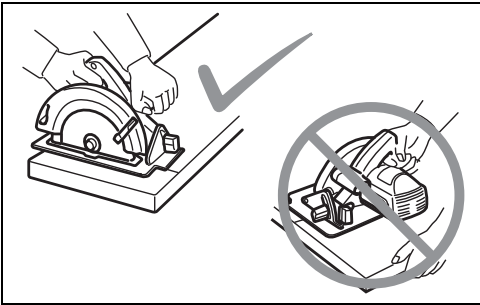
3

000156



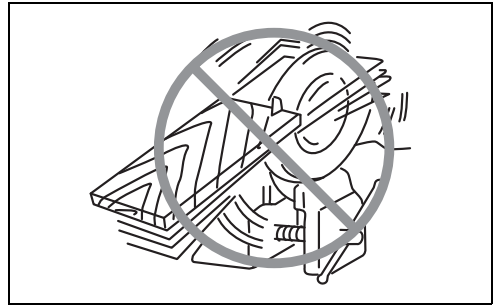
4

000194



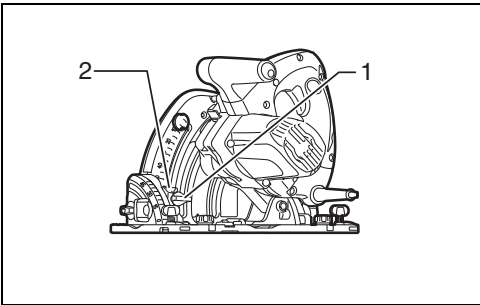
5

000147



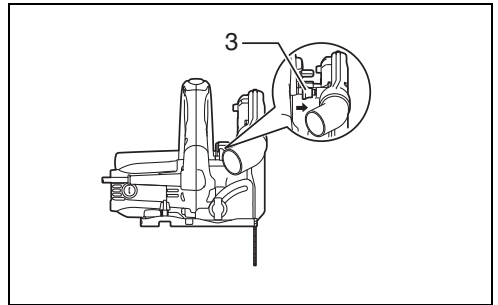
6

000029



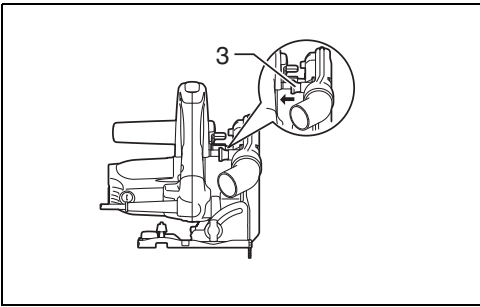
7

007656



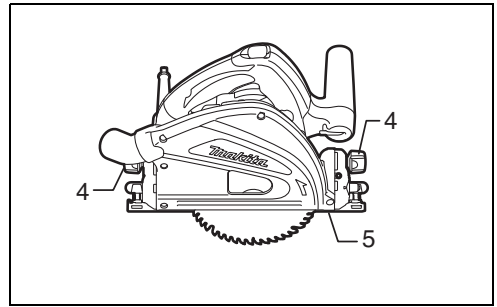
8

0007669



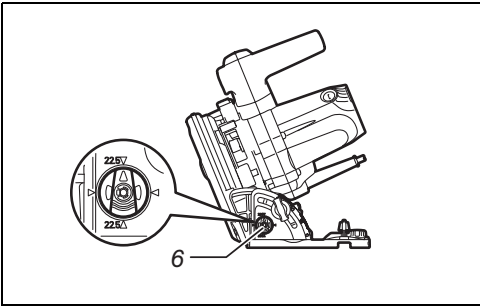
9

007670



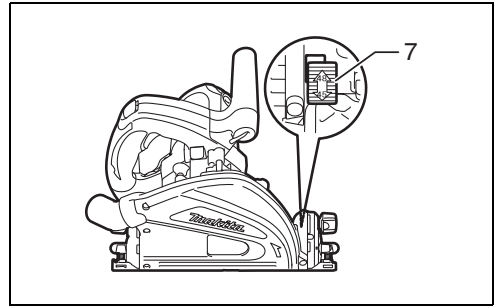
10

007657



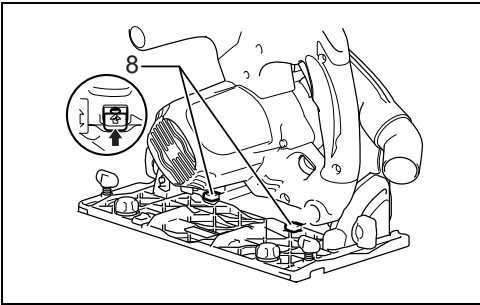
11

007659



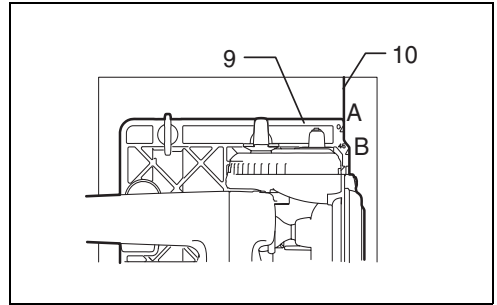
12

007660



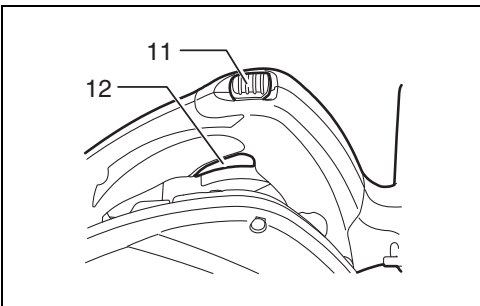
13

007661



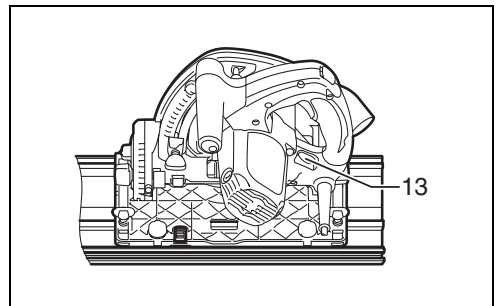
14

007671



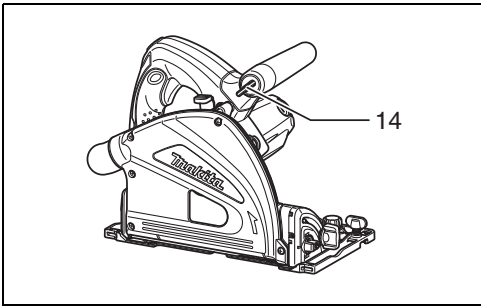
15

007664



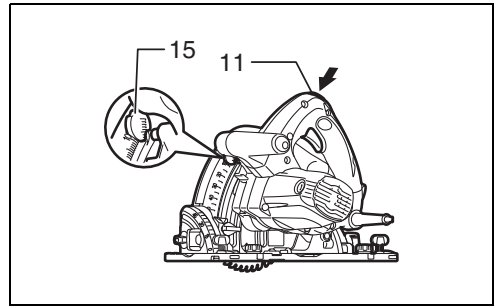
16

007663



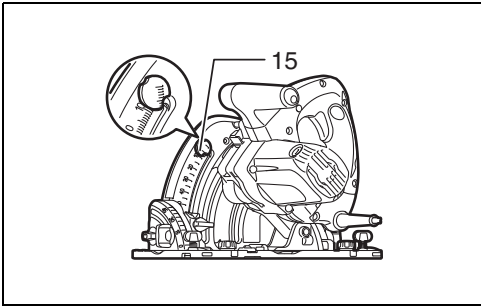
17

007684



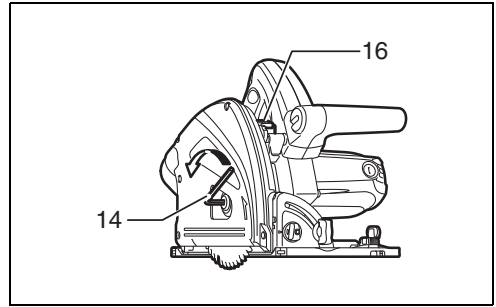
18

007662



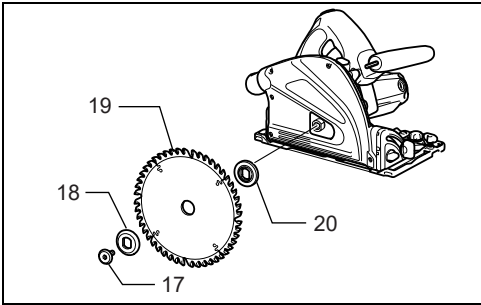
19

007655



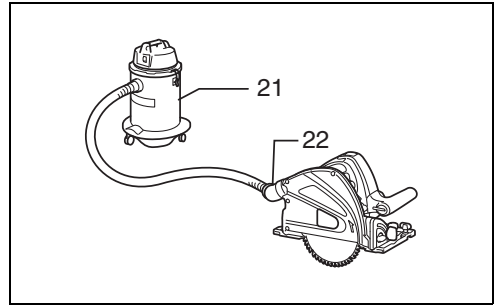
20

007658



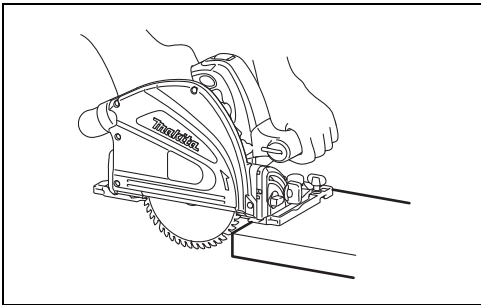
21

007672



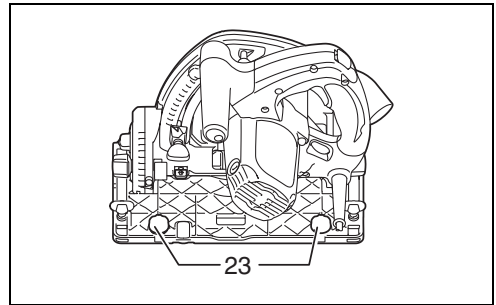
22

007673



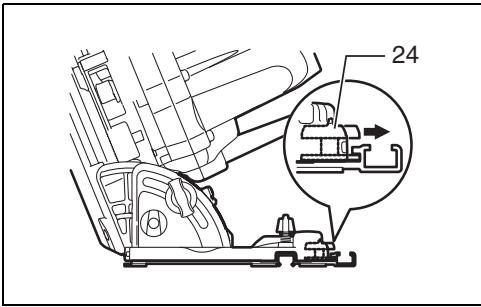
23

007674



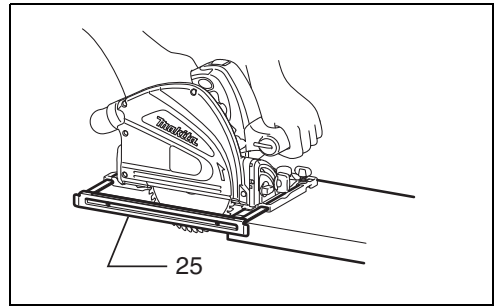
24

007685



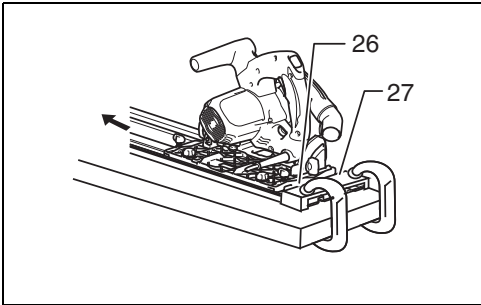
25

007666



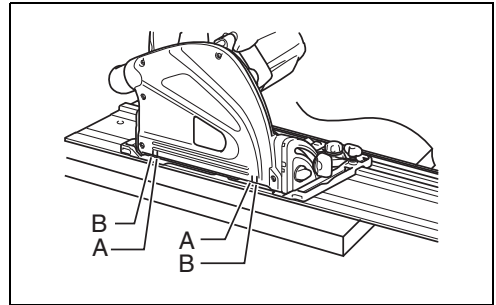
26

007675



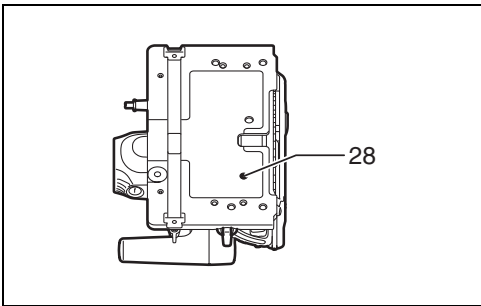
27

007686



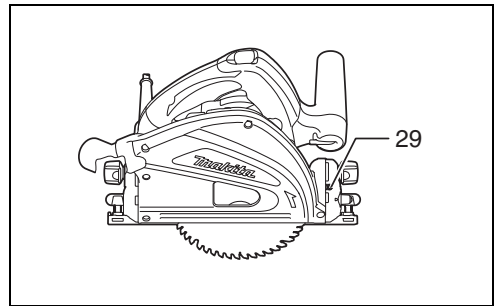
28

007678



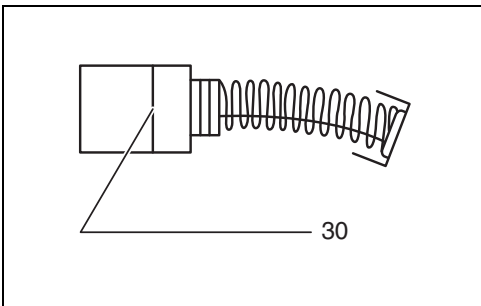
29

007667



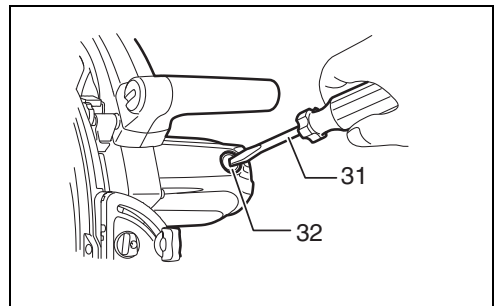
30

007668



31

001145



32

007676

ENGLISH (Original instructions)

Explanation of general view

- | | | |
|-------------------------------|--------------------------|-----------------------------|
| 1. Clamping screw | 12. Switch trigger | 23. Adjusting screws |
| 2. Blade lower limit stopper | 13. Speed adjusting dial | 24. Slide lever |
| 3. Quick stop button | 14. Hex wrench | 25. Rip fence (Guide rule) |
| 4. Clamping screws | 15. Locking lever | 26. Rear edge of tool base |
| 5. Tool base | 16. Shaft lock | 27. Fixed stop |
| 6. Positive stopper | 17. Hex bolt | 28. Adjusting screw for 90° |
| 7. Lever | 18. Outer flange | 29. Adjusting screw for 45° |
| 8. Bevel angle shifting lever | 19. Saw blade | 30. Limit mark |
| 9. Base | 20. Inner flange | 31. Screwdriver |
| 10. Cutting line | 21. Vacuum cleaner | 32. Brush holder cap |
| 11. Lock-off button | 22. Dust port | |

SPECIFICATIONS

| | | |
|------------------------------------|--------|---------------|
| Model | | SP6000 |
| Blade diameter | | 165 mm |
| Max. cutting depth | at 90° | 56 mm |
| | at 45° | 40 mm |
| | at 48° | 38 mm |
| No load speed (min ⁻¹) | | 2,200 - 6,400 |
| Overall length | | 341 mm |
| Net weight | | 4.1 kg |
| Safety class | | □/II |

- Due to our continuing program of research and development, the specifications herein are subject to change without notice.
- Specifications may differ from country to country.
- The weight may differ depending on the attachment(s). The lightest and heaviest combination, according to EPTA-Procedure 01/2014, are shown in the table.

Intended use

ENE067-2

The tool is specially intended for performing plunge cuts. The tool is also intended for rip and cross cuts in wood. If the tool is equipped with proper circular saw blade, the tool can be used for aluminum board, plastic board, siding board and metal wall panels.

Power supply

ENF002-2

The tool should be connected only to a power supply of the same voltage as indicated on the nameplate, and can only be operated on single-phase AC supply. They are double-insulated and can, therefore, also be used from sockets without earth wire.

General power tool safety warnings

GEA010-2

⚠ WARNING: Read all safety warnings, instructions, illustrations and specifications provided with this power tool. Failure to follow all instructions listed below may result in electric shock, fire and/or serious injury.

Save all warnings and instructions for future reference.

The term "power tool" in the warnings refers to your mains-operated (corded) power tool or battery-operated (cordless) power tool.

CIRCULAR SAW SAFETY WARNINGS

GEB144-3

Cutting procedures

1. **⚠ DANGER: Keep hands away from cutting area and the blade. Keep your second hand on auxiliary handle, or motor housing.** If both hands are holding the saw, they cannot be cut by the blade.
2. **Do not reach underneath the workpiece.** The guard cannot protect you from the blade below the workpiece.
3. **Adjust the cutting depth to the thickness of the workpiece.** Less than a full tooth of the blade teeth should be visible below the workpiece.
4. **Never hold the workpiece in your hands or across your leg while cutting. Secure the workpiece to a stable platform.** It is important to support the work properly to minimise body exposure, blade binding, or loss of control. (Fig. 1)
5. **Hold the power tool by insulated gripping surfaces, when performing an operation where the cutting tool may contact hidden wiring or its own cord.** Contact with a "live" wire will also make exposed metal parts of the power tool "live" and could give the operator an electric shock.
6. **When ripping, always use a rip fence or straight edge guide.** This improves the accuracy of cut and reduces the chance of blade binding.

7. **Always use blades with correct size and shape (diamond versus round) of arbour holes.** Blades that do not match the mounting hardware of the saw will run off-centre, causing loss of control.
8. **Never use damaged or incorrect blade washers or bolt.** The blade washers and bolt were specially designed for your saw, for optimum performance and safety of operation.

Kickback causes and related warnings

- kickback is a sudden reaction to a pinched, jammed or misaligned saw blade, causing an uncontrolled saw to lift up and out of the workpiece toward the operator;
- when the blade is pinched or jammed tightly by the kerf closing down, the blade stalls and the motor reaction drives the unit rapidly back toward the operator;
- if the blade becomes twisted or misaligned in the cut, the teeth at the back edge of the blade can dig into the top surface of the wood causing the blade to climb out of the kerf and jump back toward the operator.

Kickback is the result of saw misuse and/or incorrect operating procedures or conditions and can be avoided by taking proper precautions as given below.

1. **Maintain a firm grip with both hands on the saw and position your arms to resist kickback forces. Position your body to either side of the blade, but not in line with the blade.** Kickback could cause the saw to jump backwards, but kickback forces can be controlled by the operator, if proper precautions are taken.
2. **When blade is binding, or when interrupting a cut for any reason, release the trigger and hold the saw motionless in the material until the blade comes to a complete stop. Never attempt to remove the saw from the work or pull the saw backward while the blade is in motion or kickback may occur.** Investigate and take corrective actions to eliminate the cause of blade binding.
3. **When restarting a saw in the workpiece, centre the saw blade in the kerf so that the saw teeth are not engaged into the material.** If a saw blade binds, it may walk up or kickback from the workpiece as the saw is restarted.
4. **Support large panels to minimise the risk of blade pinching and kickback.** Large panels tend to sag under their own weight. Supports must be placed under the panel on both sides, near the line of cut and near the edge of the panel. (Fig. 2 & 3)
5. **Do not use dull or damaged blades.** Unsharpened or improperly set blades produce narrow kerf causing excessive friction, blade binding and kickback.
6. **Blade depth and bevel adjusting locking levers must be tight and secure before making the cut.** If blade adjustment shifts while cutting, it may cause binding and kickback.
7. **Use extra caution when sawing into existing walls or other blind areas.** The protruding blade may cut objects that can cause kickback.
8. **ALWAYS hold the tool firmly with both hands. NEVER place your hand, leg or any part of your body under the tool base or behind the saw, especially when making cross-cuts.** If kickback occurs, the saw could easily jump backwards over your hand, leading to serious personal injury. (Fig. 4)

9. **Never force the saw. Push the saw forward at a speed so that the blade cuts without slowing.** Forcing the saw can cause uneven cuts, loss of accuracy, and possible kickback.

Guard function

1. **Check the guard for proper closing before each use. Do not operate the saw if the guard does not move freely and enclose the blade instantly. Never clamp or tie the guard so that the blade is exposed.** If the saw is accidentally dropped, the guard may be bent. Check to make sure that guard moves freely and does not touch the blade or any other part, in all angles and depths of cut.
2. **Check the operation and condition of the guard return spring. If the guard and the spring are not operating properly, they must be serviced before use.** The guard may operate sluggishly due to damaged parts, gummy deposits, or a build-up of debris.
3. **Assure that the base plate of the saw will not shift while performing a “plunge cut”.** Blade shifting sideways will cause binding and likely kick back.
4. **Always observe that the guard is covering the blade before placing the saw down on bench or floor.** An unprotected, coasting blade will cause the saw to walk backwards, cutting whatever is in its path. Be aware of the time it takes for the blade to stop after switch is released.

Additional safety warnings

1. **Use extra caution when cutting damp wood, pressure treated lumber, or wood containing knots.** Maintain smooth advancement of tool without decrease in blade speed to avoid overheating the blade tips and if cutting plastics, to avoid melting the plastic.
2. **Do not attempt to remove cut material when blade is moving. Wait until blade stops before grasping cut material.** Blades coast after turn off.
3. **Avoid cutting nails. Inspect for and remove all nails from lumber before cutting.**
4. **Place the wider portion of the saw base on that part of the workpiece which is solidly supported, not on the section that will fall off when the cut is made. If the workpiece is short or small, clamp it down. DO NOT TRY TO HOLD SHORT PIECES BY HAND! (Fig. 5)**
5. **Before setting the tool down after completing a cut, be sure that the guard has closed and the blade has come to a complete stop.**
6. **Never attempt to saw with the circular saw held upside down in a vise. This is extremely dangerous and can lead to serious accidents. (Fig. 6)**
7. **Some material contains chemicals which may be toxic. Take caution to prevent dust inhalation and skin contact. Follow material supplier safety data.**
8. **Do not stop the blades by lateral pressure on the saw blade.**
9. **Do not use any abrasive wheels.**
10. **Only use the saw blade with the diameter that is marked on the tool or specified in the manual. Use of an incorrectly sized blade may affect the proper guarding of the blade or guard operation which could result in serious personal injury.**

11. **Keep blade sharp and clean.** Gum and wood pitch hardened on blades slows saw and increases potential for kickback. Keep blade clean by first removing it from tool, then cleaning it with gum and pitch remover, hot water or kerosene. Never use gasoline.
12. **Wear a dust mask and hearing protection when use the tool.**
13. **Always use the saw blade intended for cutting the material that you are going to cut.**
14. **Only use the saw blades that are marked with a speed equal or higher than the speed marked on the tool.**
15. **(For European countries only)**
Always use the blade which conforms to EN847-1.

SAVE THESE INSTRUCTIONS.

⚠ WARNING: DO NOT let comfort or familiarity with product (gained from repeated use) replace strict adherence to safety rules for the subject product. MISUSE or failure to follow the safety rules stated in this instruction manual may cause serious personal injury.

FUNCTIONAL DESCRIPTION

CAUTION:

- Always be sure that the tool is switched off and unplugged before adjusting or checking function on the tool.

Adjusting depth of cut (Fig. 7)

CAUTION:

- After adjusting the depth of cut, always tighten the clamping screw securely.

Loosen the clamping screw on the depth guide and move the blade lower limit stopper to the desired depth on the scale plate. At the desired depth of cut, tighten the clamping screw firmly.

For cleaner, safer cuts, set cut depth so that no more than one blade tooth projects below workpiece. Using proper cut depth helps to reduce potential for dangerous KICKBACKS which can cause personal injury.

NOTE:

- Setting the blade lower limit stopper to the desired depth on the scale plate allows rough depth of cut. For accurate depth of cut, measure the actual protrusion of saw blade below the tool base.

Quick stop button for 2 to 3 mm depth of cut when using guide rail (accessory) (Fig. 8 & 9)

This tool has the quick stop button for 2 to 3 mm depth of cut on the gear housing aside the rear handle when using guide rail. This is used when avoiding splinter on the workpiece in the cut. Make a pass of the 2 to 3 mm first cut and then make another pass of usual cut.

To obtain the 2 to 3 mm depth of cut, push in the stop button toward the saw blade. This is convenient for avoiding splinter on the workpiece.

To release the depth of cut from this position for free depth of cut, just pull the button back.

Bevel cutting (Fig. 10)

Tilting to the right (Fig. 11 & 12)

Turn the positive stopper so that the arrow on it points one of two positions (vertical for 22.5°, horizontal for 45°). Loosen the clamping screws in front and back. Then, tilt the tool base until it stops and secure the base with the clamping screws.

To get 48° bevel angle, move the lever to 48° marking as far as it will go. Turn the positive stopper so that the arrow on it points to the horizontal position. Then, tilt the tool base until it stops and secure the base with the clamping screws.

Tilting to the left (Fig. 13)

The tool can be tilted to the left 1° bevel angle. To get the left 1° bevel angle, loosen the clamping screws in front and back, tilt the tool handle slightly to the right and push two bevel angle shifting levers at the same time in the direction of arrow which has a marking -1. And then tilt the tool handle to the left while pushing these two levers at the same time. Secure the base with the clamping screws.

NOTE:

- Returning the blade to the right angle makes the shifting lever return to 0° by itself.

Sighting (Fig. 14)

When using the tool without guide rail (accessory)

For straight cuts, align the A position on the front of the base with your cutting line. For 45° bevel cuts, align the B position with it.

When using the tool with guide rail (accessory)

For both straight cuts and 45° bevel cuts, always align the A position on the front of the base with your cutting line.

Switch action (Fig. 15)

CAUTION:

- Before plugging in the tool, always check to see that the switch trigger actuates properly and returns to the "OFF" position when released.

To prevent the switch trigger from being accidentally pulled, a lock-off button is provided. To start the tool, push in the lock-off button and pull the switch trigger. Release the switch trigger to stop.

Speed adjusting dial (Fig. 16)

The tool speed can be adjusted by turning the adjusting dial. Higher speed is obtained when the dial is turned in the direction of number 6; lower speed is obtained when it is turned in the direction of number 1.

Refer to the table to select the proper speed for the workpiece to be cut. However, the appropriate speed may differ with the type or thickness of the workpiece. In general, higher speeds will allow you to cut workpieces faster but the service life of the blade will be reduced.

| Number | min ⁻¹ |
|--------|-------------------|
| 1 | 2,200 |
| 2 | 2,700 |
| 3 | 3,800 |
| 4 | 4,900 |
| 5 | 6,000 |
| 6 | 6,400 |

015770

CAUTION:

- The speed adjusting dial can be turned only as far as 6 and back to 1. Do not force it past 6 or 1, or the speed adjusting function may no longer work.
- The speed adjusting dial is not for using low speed rated saw blades but for obtaining a speed which is suitable to material of workpiece. Use only saw blades which are rated for at least the maximum no load speed stated in the SPECIFICATIONS.

The tools equipped with electronic function are easy to operate because of the following features.

Overload protector

When the tool is overloaded and current flows above a certain level, the tool automatically stops to protect motor.

Constant speed control

Electronic speed control for obtaining constant speed. Possible to get fine finish, because the rotating speed is kept constant even under load condition.

Soft start feature

Soft start because of suppressed starting shock.

ASSEMBLY

CAUTION:

- Always be sure that the tool is switched off and unplugged before carrying out any work on the tool.

Hex wrench storage (Fig. 17)

Hex wrench is stored on the tool. To remove hex wrench, just pull it out.

To install hex wrench, place it on the grip and insert it as far as it will go.

Removing or installing saw blade

CAUTION:

- Do not use saw blades which do not comply with the characteristics specified in these instructions.
- Use only saw blades which are rated for at least the maximum no load speed stated in the SPECIFICATIONS.
- Be sure the blade is installed with teeth pointing up at the front of the tool.
- Use only the Makita wrench to install or remove the blade.

To remove the blade, push in the lock-off button to unlock the upper limit stopper. (Fig. 18)

Turn the locking lever to lock the saw head for replacing a blade. (Fig. 19)

With the lock-off button depressed and the locking lever turned, lower the handle so that the lock pin fits in the groove formed by the locking lever and the depth guide

with scale plate. Make sure that the lock pin fits in the groove.

Press the shaft lock fully so that the blade cannot revolve and use the wrench to loosen the hex bolt counterclockwise. Then remove the hex bolt, outer flange and blade. (Fig. 20)

To install the blade, follow the removal procedure in reverse. BE SURE TO TIGHTEN THE HEX BOLT CLOCKWISE SECURELY. (Fig. 21)

Blade guard cleaning

When changing the circular saw blade, make sure to also clean the blade guard of accumulated sawdust as discussed in the Maintenance section. Such efforts do not replace the need to check guard operation before each use.

Connecting a vacuum cleaner (Fig. 22)

When you wish to perform clean cutting operation, connect a Makita vacuum cleaner to your tool. Connect a hose of the vacuum cleaner to the dust port as shown in the figure.

OPERATION

Section cutting (ordinary sawing) (Fig. 23)

CAUTION:

- Be sure to move the tool forward in a straight line gently. Forcing or twisting the tool will result in overheating the motor and dangerous kickback, possibly causing severe injury.
- Never approach any part of your body under the tool base when section cutting, especially at starting. Doing so may cause serious personal injuries. The blade is exposed under the tool base.

Hold the tool firmly. The tool is provided with both a front grip and rear handle. Use both to best grasp the tool. If both hands are holding saw, they cannot be cut by the blade. Set the front of base on the workpiece to be cut without the blade making any contact. Then push in the lock-off button and turn the tool on and wait until the blade attains full speed. Now press down the saw head slowly to the preset depth of cut and simply move the tool forward over the workpiece surface, keeping it flat and advancing smoothly until the sawing is completed.

To get clean cuts, keep your sawing line straight and your speed of advance uniform. If the cut fails to properly follow your intended cut line, do not attempt to turn or force the tool back to the cut line. Doing so may bind the blade and lead to dangerous kickback and possible serious injury. Release switch, wait for blade to stop and then withdraw tool. Realign tool on new cut line, and start cut again. Attempt to avoid positioning which exposes operator to chips and dust being ejected from saw. Use eye protection to help avoid injury.

When using with guide rail (accessory) (Fig. 24 & 25)

Place the tool on the rear end of guide rail. Turn two adjusting screws on the tool base so that the tool slides smoothly without a clatter. Hold the tool firmly. The tool is provided with both a front grip and rear handle. Use both to best grasp the tool. Turn on the tool, press down the tool to the preset depth of cut and cut the splinterguard

along the full length with a stroke. The edge of the splinterguard corresponds to the cutting edge. When bevel cutting with the guide rail, slide the slide lever on the tool base so that the tool does not fall down on its side.

Move the slide lever on the tool base in the direction of arrow so that it engages the undercut groove in the guide rail.

Rip fence (guide rule) (Optional accessory) (Fig. 26)

The handy rip fence allows you to do extra-accurate straight cuts. Simply slide the rip fence up snugly against the side of the workpiece and secure it in position with the screws on the front and the back of the base. It also makes repeated cuts of uniform width possible. Overturning the rip fence (guide rule) also works as a sub base for the tool.

Plunge cutting (Cutting-out) (Fig. 27)

WARNING:

- To avoid a kickback, be sure to observe the following instructions.

When using the tool without guide rail

Place the tool on the workpiece with the rear edge of tool base against a fixed stop or equivalent which is devised by an operator.

When using the tool with guide rail

Place the tool on the guide rail with the rear edge of tool base against a fixed stop or equivalent which is clamped on the guide rail.

Hold the tool firmly with one hand on the front grip and the other on the tool handle. Then push in the lock-off button and turn the tool on and wait until the blade attains full speed. Now press down the saw head slowly to the preset depth of cut and simply move the tool forward to the desired plunge position.

NOTE:

- The markings on the side of the blade guard show the front and rear cutting points of the saw blade (A for diameter 160 mm and B for diameter 165 mm) at the maximum cutting depth and using the guide rail. (Fig. 28)

Guide device (accessories)

Use of the miter gauge (accessory) allows exact miter cuts with angles and fitting works.

Use of the clamp (accessory) ensures firm hold of workpiece on the table.

MAINTENANCE

CAUTION:

- Always be sure that the tool is switched off and unplugged before attempting to perform inspection or maintenance.
- **Clean out the guard to ensure there is no accumulated sawdust which may impede the operation of the guarding system.** A dirty guarding system may limit the proper operation which could result in serious personal injury. The most effective way to accomplish this cleaning is with compressed air. **If**

the dust is being blown out of the guard, be sure the proper eye and breathing protection is used.

- Never use gasoline, benzine, thinner, alcohol or the like. Discoloration, deformation or cracks may result.

Adjusting for accuracy of 90° and 45° cut (vertical and 45° cut) (Fig. 29 & 30)

This adjustment has been made at the factory. But if it is off, adjust the adjusting screws with a hex wrench while inspecting 90° or 45° the blade with the base using a triangular rule or square rule, etc.

NOTE:

- Adjusting for accuracy of 22.5°, 48° and -1° cut cannot be performed.

Replacing carbon brushes (Fig. 31 & 32)

Remove and check the carbon brushes regularly. Replace when they wear down to the limit mark. Keep the carbon brushes clean and free to slip in the holders. Both carbon brushes should be replaced at the same time. Use only identical carbon brushes.

Use a screwdriver to remove the brush holder caps.

Take out the worn carbon brushes, insert the new ones and secure the brush holder caps.

To maintain product SAFETY and RELIABILITY, repairs, any other maintenance or adjustment should be performed by Makita Authorized Service Centers, always using Makita replacement parts.

OPTIONAL ACCESSORIES

⚠ CAUTION:

- These accessories or attachments are recommended for use with your Makita tool specified in this manual. The use of any other accessories or attachments might present a risk of injury to persons. Only use accessory or attachment for its stated purpose.

If you need any assistance for more details regarding these accessories, ask your local Makita Service Center.

- Saw blades
- Guide rail
- Rip fence (Guide rule)
- Miter gauge
- Clamp
- Hex wrench
- Sheet set for guide rail
- Rubber sheet set for guide rail
- Position sheet set for guide rail

NOTE:

- Some items in the list may be included in the tool package as standard accessories. They may differ from country to country.

Noise

ENG905-1

The typical A-weighted noise level determined according to EN62841-2-5:

Sound pressure level (L_{pA}): 95 dB (A)

Sound power level (L_{WA}): 103 dB (A)

Uncertainty (K): 3 dB (A)

ENG907-1

- The declared noise emission value(s) has been measured in accordance with a standard test method and may be used for comparing one tool with another.

- The declared noise emission value(s) may also be used in a preliminary assessment of exposure.

⚠ WARNING:

- **Wear ear protection.**
- **The noise emission during actual use of the power tool can differ from the declared value(s) depending on the ways in which the tool is used especially what kind of workpiece is processed.**
- **Be sure to identify safety measures to protect the operator that are based on an estimation of exposure in the actual conditions of use (taking account of all parts of the operating cycle such as the times when the tool is switched off and when it is running idle in addition to the trigger time).**

Vibration ENG900-1

The vibration total value (tri-axial vector sum) determined according to EN62841-2-5:

Work mode: cutting wood

Vibration emission ($a_{h,W}$): 2.5 m/s² or less

Uncertainty (K): 1.5 m/s²

Work mode: cutting metal

Vibration emission ($a_{h,M}$): 2.5 m/s² or less

Uncertainty (K): 1.5 m/s²

ENG901-2

- The declared vibration total value(s) has been measured in accordance with a standard test method and may be used for comparing one tool with another.
- The declared vibration total value(s) may also be used in a preliminary assessment of exposure.

⚠ WARNING:

- **The vibration emission during actual use of the power tool can differ from the declared value(s) depending on the ways in which the tool is used especially what kind of workpiece is processed.**
- **Be sure to identify safety measures to protect the operator that are based on an estimation of exposure in the actual conditions of use (taking account of all parts of the operating cycle such as the times when the tool is switched off and when it is running idle in addition to the trigger time).**

Declarations of Conformity

For European countries only

The Declarations of conformity are included in Annex A to this instruction manual.

FRANÇAIS (Instructions d'origine)

Descriptif

- | | | |
|--|---|--|
| 1. Vis de serrage | 12. Gâchette | 24. Levier à glissière |
| 2. Butée de limite inférieure de la lame | 13. Cadran de réglage de la vitesse | 25. Garde parallèle (règle de guidage) |
| 3. Bouton de butée rapide | 14. Clé hexagonale | 26. Bord arrière de la base de l'outil |
| 4. Vis de serrage | 15. Levier de verrouillage | 27. Arrêt fixe |
| 5. Base de l'outil | 16. Blocage de l'arbre | 28. Vis de réglage 90° |
| 6. Butée positive | 17. Boulon hexagonal | 29. Vis de réglage 45° |
| 7. Levier | 18. Flasque extérieure | 30. Repère d'usage |
| 8. Levier de commande de l'angle de biseau | 19. Lame | 31. Tournevis |
| 9. Socle | 20. Flasque intérieure | 32. Bouchon de porte-charbon |
| 10. Ligne de coupe | 21. Aspirateur | |
| 11. Bouton de sécurité | 22. Raccord de sortie pour la poussière | |
| | 23. Vis de réglage | |

SPÉCIFICATIONS

| | | |
|-------------------------------------|-------|---------------|
| Modèle | | SP6000 |
| Diamètre de la lame | | 165 mm |
| Profondeur de coupe max. | à 90° | 56 mm |
| | à 45° | 40 mm |
| | à 48° | 38 mm |
| Vitesse à vide (min ⁻¹) | | 2 200 - 6 400 |
| Longueur totale | | 341 mm |
| Poids net | | 4,1 kg |
| Niveau de sécurité | | □/II |

- Étant donné l'évolution constante de notre programme de recherche et de développement, les spécifications contenues dans ce manuel sont sujettes à des modifications sans préavis.
- Les spécifications peuvent varier d'un pays à l'autre.
- Le poids peut varier en fonction des pièces complémentaires. La combinaison la plus légère et la combinaison la plus lourde, selon la procédure EPTA du 01/2014, sont présentées dans le tableau.

Utilisations

ENE067-2

L'outil est conçu spécialement pour effectuer des coupes en plongée. L'outil est également conçu pour les coupes longitudinales et transversales dans le bois. Si l'outil est équipé d'une lame de scie circulaire adaptée, il peut être utilisé pour couper une tôle d'aluminium, un panneau plastique, un revêtement et des panneaux muraux métalliques.

Alimentation

ENF002-2

L'outil ne doit être raccordé qu'à une alimentation de la même tension que celle qui figure sur la plaque signalétique, et il ne peut fonctionner que sur un courant secteur monophasé. Réalisé avec une double isolation, il peut de ce fait être alimenté sans mise à la terre.

Consignes de sécurité générales pour outils électriques

GEA010-2

⚠ AVERTISSEMENT : Veuillez lire les consignes de sécurité, instructions, illustrations et spécifications qui accompagnent cet outil électrique. Le non-respect de toutes les instructions indiquées ci-dessous peut entraîner une électrocution, un incendie et/ou de graves blessures.

Conservez toutes les mises en garde et instructions pour référence ultérieure.

Le terme « outil électrique » dans les avertissements fait référence à l'outil électrique alimenté par le secteur (avec cordon d'alimentation) ou à l'outil électrique fonctionnant sur batterie (sans cordon d'alimentation).

AVERTISSEMENTS DE SÉCURITÉ CONCERNANT LA SCIE CIRCULAIRE

GEB144-3

Procédures de coupe

- ⚠ DANGER : gardez vos mains à l'écart de la zone de coupe et de la lame. Laissez votre deuxième main sur la poignée auxiliaire ou le carter du moteur.** Vous ne risquez pas de vous couper les mains si vous les utilisez toutes les deux pour tenir la lame.
- Ne placez aucune partie de votre corps sous la pièce à travailler.** Le carter de protection ne peut pas vous protéger de la lame sous la pièce à travailler.
- Réglez la profondeur de coupe selon l'épaisseur de la pièce à travailler.** La partie de la lame visible

sous la pièce à travailler doit être moindre qu'une dent de lame complète.

4. **Ne tenez jamais la pièce à travailler avec les mains ou contre la jambe pendant la coupe. Immobilisez la pièce à travailler contre une surface stable.** Il est important que la pièce soit soutenue correctement pour minimiser l'exposition du corps, les pincements de la lame et les pertes de contrôle. (Fig. 1)
5. **Saisissez l'outil électrique par ses surfaces de poigne isolées lorsque vous effectuez une opération au cours de laquelle l'outil de coupe peut entrer en contact avec des fils cachés ou avec son propre cordon d'alimentation.** Le contact avec un fil sous tension entraîne également la mise sous tension des parties métalliques exposées de l'outil, risquant ainsi de provoquer un choc électrique chez l'utilisateur.
6. **Lors du sciage en long, utilisez toujours un garde parallèle ou un guide de coupe rectiligne.** La coupe sera plus précise et cela réduira les risques de pincement de la lame.
7. **Utilisez toujours des lames dont l'orifice central est de taille et de forme (diamantée ou circulaire) appropriées.** Si la lame utilisée n'est pas conçue pour la scie, elle tournera de manière excentrique et vous perdrez la maîtrise de l'outil.
8. **N'utilisez jamais de rondelles ou boulons endommagés ou inadéquats.** Les rondelles et le boulon ont été conçus exclusivement pour votre scie, afin d'assurer des performances optimales et une utilisation sûre.

Causes du choc en retour et avertissements afférents

- Le choc en retour est une réaction soudaine de l'outil lorsque la lame est pincée, coincée ou désalignée, et la scie, hors de contrôle, se soulève alors et se désolidarise de la pièce à travailler en se dirigeant vers l'utilisateur ;
- lorsque la lame est pincée ou se coince par le trait de scie qui se referme sur elle, elle se bloque et la réaction du moteur entraîne la projection de l'outil à grande vitesse vers l'opérateur ;
- si la lame se tord ou se désaligne par rapport à la ligne de coupe, les dents arrière risquent de creuser la surface supérieure du bois ; la lame sort alors du trait de scie et bondit vers l'utilisateur.

Le choc en retour est dû à une mauvaise utilisation de l'outil et/ou à des procédures ou conditions de travail inappropriées. Il peut être évité en prenant les mesures appropriées, telles que celles indiquées ci-dessous.

1. **Maintenez une poigne ferme à deux mains sur la scie, et placez vos bras de sorte qu'ils puissent résister à la force du choc en retour. Placez-vous d'un côté ou de l'autre de la lame, jamais dans sa ligne de coupe.** Le choc en retour peut faire bondir la scie vers l'arrière, mais l'opérateur pourra alors maîtriser la force du choc en retour s'il prend les précautions nécessaires.
2. **Si la lame se pince ou si vous interrompez la coupe pour une raison quelconque, libérez la gâchette et maintenez la scie immobile dans le matériau jusqu'à l'arrêt complet de la lame. N'essayez jamais de retirer la scie de la pièce ou de la faire reculer alors que la lame tourne encore, au risque de provoquer un choc en retour.**

Identifiez la cause du pincement de la lame et prenez des mesures correctives pour éliminer ladite cause.

3. **Avant de redémarrer la scie dans la pièce à travailler, centrez la lame dans le trait de scie de sorte que les dents ne pénétrant pas dans le matériau.** Si une lame se pince, elle risque de ressortir du trait ou de causer un choc en retour au moment du redémarrage de l'outil.
4. **Placez un dispositif de soutien sous les grandes pièces pour réduire les risques de pincement de la lame et de choc en retour.** Les grandes pièces ont tendance à s'affaisser sous leur propre poids. Des dispositifs de soutien doivent être installés sous la pièce, de chaque côté, près de la ligne de coupe et des bords de la pièce. (Fig. 2 et 3)
5. **N'utilisez pas de lames émoussées ou endommagées.** Les lames mal affûtées ou mal posées produisent un trait de scie étroit, entraînant une friction excessive, le pincement de la lame et un choc en retour.
6. **Serrez fermement et sûrement les leviers de verrouillage de la profondeur de la lame et du réglage en biseau avant de procéder à la coupe.** La modification des réglages de la lame pendant la coupe comporte un risque de pincement et de choc en retour.
7. **Faites preuve d'une extrême vigilance lorsque vous sciez dans des murs existants ou d'autres zones aveugles.** La lame saillante peut couper des objets et provoquer un choc en retour.
8. **Tenez TOUJOURS l'outil fermement à deux mains. Ne placez JAMAIS votre main, votre jambe, ou tout autre partie de votre corps sous la base de l'outil ou derrière la scie, particulièrement en effectuant des coupes transversales.** En cas de choc en retour, la scie pourrait facilement sauter vers l'arrière et passer sur votre main, vous infligeant des blessures graves. (Fig. 4)
9. **Ne forcez jamais la scie. Faites avancer la scie à une vitesse permettant à la lame de tourner sans perte de vitesse.** Le fait de forcer la scie peut résulter en des coupes inégales, une perte de précision et un choc en retour.

Fonction du carter

1. **Avant chaque utilisation, assurez-vous que le carter se ferme correctement. N'utilisez pas la scie si le carter de protection ne se déplace pas librement et ne recouvre pas la lame. Évitez d'immobiliser ou de fixer le carter de protection de sorte que la lame soit exposée.** Le carter de protection risque de se plier si vous laissez échapper la scie par accident. Vérifiez que le carter de protection se déplace librement, et qu'il n'entre pas en contact avec la lame ou tout autre partie, quel que soit l'angle ou la profondeur de la coupe.
2. **Vérifiez le fonctionnement et l'état du ressort de rappel du carter de protection. Si le carter de protection et le ressort ne fonctionnent pas correctement, vous devez les réparer avant d'utiliser l'outil.** Le fonctionnement du carter de protection peut être ralenti par des pièces endommagées, des dépôts gluants ou une accumulation de débris.

3. **Assurez-vous que la plaque de soutien de la scie ne se déplace pas lorsque vous effectuez une « coupe en plongée ».** Une lame se déplaçant de côté présente un risque de pincement et de choc en retour.
4. **Assurez-vous toujours que le carter de protection recouvre la lame avant de poser la scie sur l'établi ou le plancher.** Si vous ne couvrez pas la lame à l'aide du carter de protection, la scie risque de se déplacer vers l'arrière en coupant tout ce qui se trouve sur sa trajectoire. N'oubliez pas qu'un délai est nécessaire avant l'arrêt de la lame une fois la gâchette relâchée.

Autres avertissements de sécurité

1. **Faites preuve d'une extrême prudence lorsque vous coupez du bois mouillé, du bois traité sous pression ou du bois qui contient des nœuds.** Faites avancer l'outil en douceur sans diminuer la vitesse de la lame pour éviter la surchauffe des extrémités de la lame en cas de découpe de plastique pour éviter que celui-ci fonde.
2. **N'essayez pas de retirer le matériau coupé pendant que la lame tourne. Attendez l'arrêt total de la lame avant de saisir le matériau coupé.** La lame continue de tourner même une fois le contact coupé.
3. **Évitez de couper les clous. Avant de couper du bois de construction, inspectez-le et retirez-en tous les clous.**
4. **Placez la partie la plus large du socle de la scie sur la partie de la pièce à travailler qui est solidement soutenue, non sur celle qui tombera une fois la coupe terminée. Si la pièce à travailler est courte ou petite, placez-la dans un dispositif de serrage. N'ESSAYEZ PAS DE MAINTENIR LES PETITES PIÈCES AVEC LA MAIN ! (Fig. 5)**
5. **Avant de déposer l'outil une fois la coupe terminée, assurez-vous que le carter de protection est fermé et que la lame est parfaitement immobile.**
6. **N'essayez jamais de scier en plaçant la scie circulaire à l'envers dans un étau. Cela est très dangereux et peut entraîner des accidents graves. (Fig. 6)**
7. **Certains matériaux contiennent des produits chimiques qui peuvent être toxiques. Veillez à éviter toute inhalation de poussière et tout contact avec la peau. Respectez les instructions de sécurité du fournisseur du matériel.**
8. **N'appliquez jamais de pression latérale sur la lame pour l'arrêter.**
9. **N'utilisez pas de disques abrasifs.**
10. **Utilisez uniquement une lame dont le diamètre est conforme aux indications figurant sur l'outil ou spécifiées dans le manuel.** Une lame de dimensions incorrectes risque de ne pas être protégée correctement ou de perturber le fonctionnement du carter, provoquant des blessures corporelles graves.
11. **Maintenez la lame bien affûtée et propre.** Les dépôts de colle et les copeaux de bois qui durcissent contre la lame ralentissent la scie et augmentent les risques de choc en retour. Pour nettoyer la lame, retirez-la d'abord de l'outil, puis nettoyez-la avec un

décapant, de l'eau chaude ou du kérosène. N'utilisez jamais d'essence.

12. **Portez un masque anti-poussière et des protections d'oreilles lorsque vous utilisez l'outil.**
13. **Utilisez toujours la lame prévue pour découper le matériau que vous allez couper.**
14. **Utilisez uniquement les lames dont la vitesse indiquée est supérieure ou égale à la vitesse indiquée sur l'outil.**
15. **(Pour les pays d'Europe uniquement) Utilisez toujours une lame conforme à la norme EN847-1.**

CONSERVEZ CES INSTRUCTIONS.

⚠ AVERTISSEMENT : NE vous laissez PAS tromper (au fil d'une utilisation répétée) par un sentiment d'aisance et de familiarité avec le produit, en négligeant le respect rigoureux des consignes de sécurité qui accompagnent l'outil. Une UTILISATION INCORRECTE de l'outil ou le non-respect des consignes de sécurité indiquées dans ce manuel d'instructions peuvent causer de graves blessures corporelles.

DESCRIPTION DU FONCTIONNEMENT

ATTENTION :

- Assurez-vous toujours que l'outil est éteint et débranché avant de l'ajuster ou de vérifier son fonctionnement.

Ajuster la profondeur de coupe (Fig. 7)

ATTENTION :

- Après avoir ajusté la profondeur de coupe, resserrez toujours fermement la vis de serrage.

Desserrez la vis de serrage sur le guide de sciage et déplacez la butée de limite inférieure de la lame à la profondeur désirée sur la plaque du secteur. À la profondeur de coupe désirée, resserrez fermement la vis de serrage.

Pour obtenir des coupes plus propres et les effectuer de manière plus sûre, réglez la profondeur de coupe de sorte que pas plus d'une dent de la lame ne dépasse sous la pièce. Une profondeur de coupe adéquate aide à réduire les risques de dangereux CHOCS EN RETOUR et de blessures graves.

NOTE :

- Ajuster la butée de limite inférieure de la lame à la profondeur désirée sur la plaque du secteur permet une profondeur de coupe grossière. Pour une profondeur de coupe précise, mesurez la saillie réelle de la lame de la scie sous la base de l'outil.

Bouton de butée rapide pour une profondeur de coupe de 2 à 3 mm en utilisant le rail de guidage (accessoire) (Fig. 8 et 9)

Cet outil à un bouton de butée rapide près de la poignée arrière pour une profondeur de coupe de 2 à 3 mm en

utilisant un rail de guidage. Ceci est utilisé pour éviter des éclats dans la coupe de la pièce à travailler. Effectuez tout d'abord une passe de coupe de 2 à 3 mm, puis effectuez la passe de coupe normale.

Pour obtenir une profondeur de coupe de 2 à 3 mm, poussez le bouton de butée vers la lame de la scie. Ceci est pratique pour éviter des éclats dans la pièce.

Pour changer la profondeur de coupe de cette position à la position de profondeur normale, tirez simplement le bouton vers l'arrière.

Coupe en biseau (Fig. 10)

Incliner vers la droite (Fig. 11 et 12)

Tournez la butée positive pour que sa flèche pointe vers l'une des deux positions (verticale pour 22,5°, horizontale pour 45°). Desserrez les vis de serrage à l'avant et l'arrière. Inclinez alors la base de l'outil jusqu'à l'arrêt et fixez la base avec les vis de serrage.

Pour obtenir un angle de biseau de 48°, déplacez le levier vers la marque 48° aussi loin que possible. Tournez la butée positive pour que sa flèche pointe vers la position horizontale. Inclinez alors la base de l'outil jusqu'à l'arrêt et fixez la base avec les vis de serrage.

Incliner vers la gauche (Fig. 13)

L'outil peut être incliné vers la gauche à un angle de biseau de 1°. Pour obtenir l'angle de biseau de 1° gauche, desserrez les vis de serrage à l'avant et l'arrière, inclinez la poignée de l'outil légèrement sur la droite et poussez les deux leviers de commande de l'angle de biseau en même temps dans la direction de la flèche avec une marque -1. Inclinez ensuite la poignée de l'outil sur la gauche tout en appuyant sur ces deux leviers en même temps. Fixez la base avec les vis de serrage.

NOTE :

- Le levier de commande retourne à la position 0° par lui-même lorsque la lame est retournée à l'angle correct.

Visée (Fig. 14)

En utilisant l'outil sans le rail de guidage (accessoire)

Pour les coupes rectilignes, alignez sur la ligne de coupe la position A à l'avant du socle. Pour les coupes en biseau de 45°, alignez la position B sur la ligne de coupe.

En utilisant l'outil avec le rail de guidage (accessoire)

Pour les coupes rectilignes et les coupes en biseau de 45°, alignez toujours sur la ligne de coupe la position A à l'avant du socle.

Interrupteur (Fig. 15)

ATTENTION :

- Avant de brancher l'outil, vérifiez toujours que la gâchette fonctionne correctement et revient en position d'arrêt (« OFF ») lorsqu'elle est relâchée.

Pour éviter tout déclenchement accidentel de la gâchette, l'outil est muni d'un bouton de sécurité. Pour faire démarrer l'outil, enfoncez le bouton de sécurité puis appuyez sur la gâchette.

Pour l'arrêter, relâchez la gâchette.

Cadran de réglage de la vitesse (Fig. 16)

La vitesse de l'outil peut être réglée en tournant le cadran de réglage. La vitesse augmente lorsque le cadran est

tourné vers le numéro 6 ; elle diminue lorsqu'il est tourné vers le numéro 1.

Consultez le tableau ci-dessous pour sélectionner la vitesse adéquate en fonction de la pièce à couper. La vitesse appropriée peut cependant différer avec le type ou l'épaisseur de la pièce. En général, une vitesse plus élevée permettra de couper les pièces plus rapidement mais la durée de service de la lame en sera réduite.

| Numéro | min ⁻¹ |
|--------|-------------------|
| 1 | 2 200 |
| 2 | 2 700 |
| 3 | 3 800 |
| 4 | 4 900 |
| 5 | 6 000 |
| 6 | 6 400 |

015770

ATTENTION :

- Le cadran de réglage de la vitesse ne peut être tourné que jusqu'aux positions 6 et 1. Ne le forcez pas au-delà des positions 6 ou 1, sinon la fonction du réglage de la vitesse risque de ne plus fonctionner.
- Le cadran de réglage de la vitesse n'est pas indiqué pour utiliser des lames de scie à faible vitesse, mais pour obtenir une vitesse convenant au matériel de la pièce à travailler. N'utilisez que des lames de scie spécifiées au moins pour la vitesse à vide maximale indiquée dans les SPÉCIFICATIONS.

Les outils équipés avec une fonction électronique sont faciles à utiliser à cause des caractéristiques suivantes.

Disjoncteur de surcharge

Quand l'outil est surchargé et le courant passe au-dessus d'un certain niveau, l'outil s'arrête automatiquement pour protéger le moteur.

Contrôle de vitesse constante

Contrôle de vitesse électronique pour obtenir une vitesse constante. Possibilité d'obtenir une très bonne finition, parce que la vitesse de rotation reste constante même sous des conditions de charge.

Caractéristique de démarrage graduel

Le choc du démarrage est supprimé grâce au démarrage graduel.

ASSEMBLAGE

ATTENTION :

- Avant d'effectuer toute intervention sur l'outil, assurez-vous toujours qu'il est éteint et débranché.

Rangement de la clé hexagonale (Fig. 17)

La clé hexagonale est rangée dans l'outil, et peut être retirée facilement.

Pour installer la clé hexagonale, placez-la sur la poignée et insérez-la à fond.

Retrait ou pose de la lame

ATTENTION :

- N'utilisez pas des lames de scie qui ne sont pas conformes aux caractéristiques spécifiées dans ces instructions.

- N'utilisez que des lames de scie spécifiées au moins pour la vitesse à vide maximale indiquée dans les SPÉCIFICATIONS.
- Assurez-vous que la lame est installée avec les dents orientées vers le haut à l'avant de l'outil.
- Utilisez exclusivement une clé Makita pour installer ou retirer la lame.

Pour retirer la lame, enfoncez le bouton de sécurité pour déverrouiller la butée de limite supérieure. (Fig. 18) Tournez le levier de verrouillage pour verrouiller la tête porte-scie pour remplacer une lame. (Fig. 19)

Une fois le bouton de sécurité enfoncé et le levier de verrouillage tourné, abaissez la poignée pour que la broche de verrouillage se fixe dans la rainure formée par le levier de verrouillage et le guide de sciage avec la plaque du secteur. Assurez-vous que la broche de verrouillage se fixe dans la rainure.

Appuyez fermement sur le blocage de l'arbre de sorte que la lame ne puisse pas tourner, et desserrez le boulon hexagonal dans le sens inverse des aiguilles d'une montre à l'aide de la clé hexagonale. Retirez ensuite le boulon hexagonal, le flasque extérieur et la lame.

(Fig. 20)

Pour poser la lame, suivez la procédure de retrait dans l'ordre inverse. ASSUREZ-VOUS DE RESERRER FERMEMENT LE BOULON HEXAGONAL EN TOURNANT DANS LE SENS DES AIGUILLES D'UNE MONTRE. (Fig. 21)

Nettoyage du protecteur de lame

Lors du remplacement de la lame de scie circulaire, veillez à retirer également la sciure de bois accumulée sur le protecteur de lame, comme discuté dans la section Maintenance. Vous devez vérifier le bon fonctionnement du carter de protection avant chaque utilisation, même après un nettoyage.

Raccordement à un aspirateur (Fig. 22)

Pour effectuer un travail plus propre, raccordez un aspirateur Makita à votre outil. Connectez ensuite le tuyau de l'aspirateur au raccord de sortie pour la poussière, comme illustré dans la figure.

UTILISATION

Coupe en section (sciage ordinaire)

(Fig. 23)

ATTENTION :

- Assurez-vous de faire avancer l'outil doucement, en ligne droite. Le fait de forcer ou de tordre l'outil peut causer une surchauffe du moteur et un dangereux choc en retour, risquant d'entraîner des blessures graves.
- Ne placez jamais une partie de votre corps sous la base de l'outil en effectuant une coupe en section, spécialement au début de la coupe. Ceci peut causer des blessures personnelles sérieuses. La lame est exposée sous la base de l'outil.

Tenez l'outil fermement. L'outil est doté d'une poignée avant et d'une poignée arrière. Tenez l'outil par ses deux poignées. Vous ne risquez pas de vous couper les mains si vous les utilisez toutes les deux pour tenir la scie. Placez l'avant du socle sur la pièce à couper sans que la lame n'entre en contact. Appuyez alors sur le bouton de

sécurité et allumez l'outil, et attendez que la lame ait atteint sa pleine vitesse. Placez lentement la lame de la scie sur la profondeur de coupe prédéfinie et déplacez simplement l'outil vers l'avant sur la surface de la pièce, en le maintenant bien à plat et en le faisant avancer doucement, jusqu'à ce que la coupe soit terminée.

Pour des coupes propres, évitez de dévier de la ligne de coupe et faites avancer l'outil à une vitesse égale. Si la lame dévie de la ligne de coupe prévue, ne tentez pas de modifier la course de l'outil pour le forcer à revenir sur la ligne de coupe. Ceci risque de plier la lame et de provoquer un dangereux choc en retour pouvant causer des blessures graves. Relâchez la gâchette, attendez l'arrêt complet de la lame, puis retirez l'outil. Réalignez l'outil sur une nouvelle ligne de coupe, puis reprenez la coupe. Évitez de vous exposer aux copeaux et à la poussière projetés par la scie. Portez des lunettes de protection pour réduire les risques de blessure.

En utilisant le rail de guidage (accessoire) (Fig. 24 et 25)

Placez l'outil à l'extrémité arrière du rail de guidage.

Tournez les deux vis de serrage sur la base de l'outil pour que l'outil se déplace sans à-coups et sans un bruit métallique. Tenez l'outil fermement. L'outil est doté d'une poignée avant et d'une poignée arrière. Tenez l'outil par ses deux poignées. Allumez l'outil, placez-le sur la profondeur de coupe prédéfinie et coupez le pare-éclats sur toute la longueur en une seule coupe. Le bord du pare-éclats correspond à la face de coupe.

En effectuant une coupe en biseau avec le rail de guidage, déplacez le levier à glissière sur la base de l'outil afin d'éviter que l'outil ne tombe sur son côté.

Déplacez le levier à glissière sur la base de l'outil dans la direction de la flèche pour que la rainure s'engage dans le rail de guidage.

Garde parallèle (règle de guidage) (Accessoire en option) (Fig. 26)

Le garde parallèle est pratique pour effectuer des coupes droites avec une très grande précision. Faites simplement glisser le garde parallèle le long du bord de la pièce en le gardant en position à l'aide des vis de serrage sur l'avant et arrière du socle. Ceci permet également d'effectuer des coupes répétées d'une largeur égale.

Retourner le garde parallèle (règle de guidage) permet aussi de l'utiliser comme une base inférieure pour l'outil.

Coupe en plongée (découper) (Fig. 27)

AVERTISSEMENT :

- Pour éviter un choc en retour, assurez-vous d'observer les instructions suivantes.

En utilisant l'outil sans le rail de guidage

Placez l'outil sur la pièce à travailler avec le bord arrière de l'outil contre un arrêt fixe ou un dispositif similaire conçu par l'utilisateur.

En utilisant l'outil avec le rail de guidage

Placez l'outil sur le rail de guidage avec le bord arrière de l'outil contre un arrêt fixe ou un dispositif similaire fixé sur le rail de guidage.

Tenez toujours l'outil fermement en posant une main sur la poignée avant et l'autre main sur la poignée principale

de l'outil. Appuyez alors sur le bouton de sécurité et allumez l'outil, et attendez que la lame ait atteint sa pleine vitesse. Placez lentement la lame de la scie sur la profondeur de coupe prédéfinie et déplacez simplement l'outil vers l'avant à la position de plongée désirée

NOTE :

- Les marques sur le côté du carter de lame indiquent les points de coupe avants et arrières de la lame de la scie (A pour un diamètre de 160 mm et B pour un diamètre de 165 mm) à la profondeur de coupe maximale et en utilisant le rail de guidage. (Fig. 28)

Dispositif de guidage (accessoires)

L'utilisation de la jauge de coupe d'onglet (accessoire) permet d'effectuer des coupes d'onglet exactes dans des travaux avec des angles et de montage.

L'utilisation du dispositif de serrage (accessoire) assure un maintien ferme de la pièce à travailler sur l'établi.

MAINTENANCE

ATTENTION :

- Assurez-vous toujours que l'outil est éteint et débranché avant d'effectuer tout travail d'inspection ou de maintenance.
- **Nettoyez le carter de protection afin de vous assurer que de la sciure de bois ne s'est pas accumulée et ne risque pas d'empêcher le fonctionnement du système de protection.** Un système de protection sale peut perturber le fonctionnement et provoquer de graves blessures corporelles. Le nettoyage le plus efficace doit être réalisé avec de l'air comprimé. **En cas de projection de poussière au niveau du carter de protection, veillez à utiliser des lunettes et un masque adaptés.**
- N'utilisez jamais d'essence, de benzine, de diluant, d'alcool ou de produit similaire. Ces produits risquent de provoquer des décolorations, des déformations ou des fissures.

Réglage de précision pour les coupes de 90° et 45° (coupes verticales et à 45°) (Fig. 29 et 30)

Ce réglage est effectué en usine. S'il est désactivé, réajustez la vis de réglage au moyen d'une clé hexagonale, en vous assurant que la lame est sur un angle de 90° ou 45° par rapport à la base, avec une règle triangulaire, une équerre de menuisier, etc.

NOTE :

- Le réglage de précision pour les coupes de 22,5°, 48° et -1° ne peut être effectué.

Remplacement des charbons (Fig. 31 et 32)

Retirez et vérifiez les charbons régulièrement. Remplacez-les lorsqu'ils atteignent le repère d'usure. Gardez les charbons propres et libres de glisser dans les porte-charbons.

Les deux charbons doivent être remplacés en même temps. Utilisez uniquement des charbons identiques. Retirez les bouchons de porte-charbon à l'aide d'un tournevis.

Enlevez les charbons usés, insérez les neufs et remettez en place les bouchons.

Pour assurer la SÉCURITÉ et la FIABILITÉ du produit, toute réparation et tout travail d'entretien ou de réglage doivent être effectués par un Centre de service après-vente agréé Makita, avec des pièces de rechange Makita.

ACCESSOIRES FOURNIS EN OPTION

⚠ ATTENTION :

- Ces accessoires ou pièces complémentaires sont recommandés pour être utilisés avec l'outil Makita spécifié dans ce mode d'emploi. L'utilisation de tout autre accessoire ou pièce complémentaire peut comporter un risque de blessure. N'utilisez les accessoires ou pièces qu'aux fins auxquelles ils ont été conçus.

Pour obtenir plus de détails sur ces accessoires, contactez votre Centre de service local Makita.

- Lames
- Rail de guidage
- Garde parallèle (règle de guidage)
- Jauge de coupe d'onglet
- Dispositif de serrage
- Clé hexagonale
- Ensemble de feuilles pour rail de guidage
- Feuille de caoutchouc pour rail de guidage
- Feuille de position pour rail de guidage

REMARQUE :

- Certains éléments de la liste peuvent être inclus en tant qu'accessoires standard dans le coffret de l'outil envoyé. Ils peuvent varier suivant les pays.

Bruit

ENG905-1

Les niveaux de bruit pondéré A typiques ont été mesurés selon la norme EN62841-2-5 :

Niveau de pression sonore (L_{pA}) : 95 dB (A)

Niveau de puissance sonore (L_{WA}) : 103 dB (A)

Incertitude (K) : 3 dB (A)

ENG907-1

- La ou les valeurs d'émission de bruit déclarées ont été mesurées conformément à la méthode de test standard et peuvent être utilisées pour comparer les outils entre eux.
- La ou les valeurs d'émission de bruit déclarées peuvent aussi être utilisées pour l'évaluation préliminaire de l'exposition.

⚠ AVERTISSEMENT :

- **Portez un serre-tête antibruit.**
- **L'émission de bruit lors de l'usage réel de l'outil électrique peut être différente de la ou des valeurs déclarées, suivant la façon dont l'outil est utilisé, particulièrement selon le type de pièce usinée.**
- **Les mesures de sécurité à prendre pour protéger l'utilisateur doivent être basées sur une estimation de l'exposition dans des conditions réelles d'utilisation (en tenant compte de toutes les composantes du cycle d'utilisation, comme par exemple le moment de sa mise hors tension, lorsqu'il tourne à vide et le moment de son déclenchement).**

Vibrations

ENG900-1

La valeur totale de vibration (somme du vecteur triaxial) déterminée selon la norme EN62841-2-5 :

Mode de fonctionnement : coupe de bois

Émission des vibrations ($a_{h, W}$) : 2,5 m/s² ou moins

Incertitude (K) : 1,5 m/s²

Mode de fonctionnement : coupe de métal

Émission des vibrations ($a_{h, M}$) : 2,5 m/s² ou moins

Incertitude (K) : 1,5 m/s²

ENG901-2

- La ou les valeurs de vibration totales déclarées ont été mesurées conformément à la méthode de test standard et peuvent être utilisées pour comparer les outils entre eux.
- La ou les valeurs de vibration totales déclarées peuvent aussi être utilisées pour l'évaluation préliminaire de l'exposition.

AVERTISSEMENT :

- **L'émission de vibrations lors de l'usage réel de l'outil électrique peut être différente de la ou des valeurs déclarées, suivant la façon dont l'outil est utilisé, particulièrement selon le type de pièce usinée.**
- **Les mesures de sécurité à prendre pour protéger l'utilisateur doivent être basées sur une estimation de l'exposition dans des conditions réelles d'utilisation (en tenant compte de toutes les composantes du cycle d'utilisation, comme par exemple le moment de sa mise hors tension, lorsqu'il tourne à vide et le moment de son déclenchement).**

Déclarations de conformité

Pour les pays européens uniquement

Les déclarations de conformité sont fournies en Annexe A à ce mode d'emploi.

DEUTSCH (Originalanweisungen)

Erklärung der Gesamtdarstellung

- | | | |
|-------------------------------------|------------------------|---------------------------------------|
| 1. Klemmschraube | 11. Entsperrtaste | 22. Staubsaugeranschluss |
| 2. Unterer Grenzstopper für Blatt | 12. Ein/Aus-Schalter | 23. Justierschraube |
| 3. Schnellstoptaste | 13. Drehzahl-Stellrad | 24. Schiebehebel |
| 4. Klemmschrauben | 14. Inbusschlüssel | 25. Parallelenschlag (Führungslineal) |
| 5. Werkzeugbasis | 15. Verriegelungshebel | 26. Hintere Kante der Werkzeugbasis |
| 6. Feststopper | 16. Spindelarretierung | 27. Fester Stopp |
| 7. Hebel | 17. Sechskantschraube | 28. Einstellschraube für 90° |
| 8. Umschalthebel für Gehrungswinkel | 18. Außenflansch | 29. Einstellschraube für 45° |
| 9. Gleitschuh | 19. Sägeblatt | 30. Verschleißmarkeierung |
| 10. Schnittlinie | 20. Innenflansch | 31. Schraubendreher |
| | 21. Staubsauger | 32. Bürstenhalterkappe |

TECHNISCHE ANGABEN

| | | |
|--|---------|---------------|
| Modell | | SP6000 |
| Sägeblattdurchmesser | | 165 mm |
| Max. Schnitttiefe | bei 90° | 56 mm |
| | bei 45° | 40 mm |
| | bei 48° | 38 mm |
| Leerlauf-Drehzahl (min ⁻¹) | | 2.200 - 6.400 |
| Gesamtlänge | | 341 mm |
| Nettogewicht | | 4,1 kg |
| Sicherheitsklasse | | □/II |

- Aufgrund unserer beständigen Forschungen und Weiterentwicklungen sind Änderungen an den hier angegebenen Technischen Daten ohne Vorankündigung vorbehalten.
- Die Technischen Daten können in den einzelnen Ländern voneinander abweichen.
- Das Gewicht kann sich je nach Umfang und Art der vorhandenen Zubehörteile ändern. Das Gewicht der leichtest- und schwerstmöglichen Kombination, das im Einklang mit dem EPTA-Verfahren 01/2014 ermittelt wurde, ist in der Tabelle aufgeführt.

Verwendungszweck

ENE067-2

Das Werkzeug wurde speziell für Tauchschnitte entwickelt. Das Werkzeug ist ebenfalls für Längsschnitte und Ablängsschnitte in Holz geeignet. Das Werkzeug ist mit einem kreisrunden Sägeblatt ausgestattet; es kann für Aluminiumplatten, Kunststoffplatten, Verkleidungsplatten und Wandelemente aus Metall verwendet werden.

Stromversorgung

ENF002-2

Das Werkzeug darf nur an eine Stromversorgung mit Einphasen-Wechselstrom mit der auf dem Typenschild angegebenen Spannung angeschlossen werden. Das Werkzeug verfügt über ein doppelt isoliertes Gehäuse und kann daher auch an einer Stromversorgung ohne Schutzkontakt betrieben werden.

Allgemeine Sicherheitswarnungen für Elektrowerkzeuge

GEA1010-2

⚠️ WARNUNG: Lesen Sie alle mit diesem Elektrowerkzeug gelieferten Sicherheitswarnungen, Anweisungen, Abbildungen und technischen Daten durch. Eine Missachtung der unten aufgeführten Anweisungen kann zu einem elektrischen Schlag, Brand und/oder schweren Verletzungen führen.

Bewahren Sie alle Warnungen und Anweisungen für spätere Bezugnahme auf.

Der Ausdruck „Elektrowerkzeug“ in den Warnhinweisen bezieht sich auf Ihr mit Netzstrom (mit Kabel) oder Akku (ohne Kabel) betriebenes Elektrowerkzeug.

SICHERHEITSHINWEISE ZUR TAUCHSÄGE

GEB144-3

Schneidverfahren

1. **⚠️ GEFAHR: Halten Sie Ihre Hände fern vom Schneidbereich und vom Sägeblatt. Legen Sie Ihre andere Hand auf dem Zusatzgriff oder auf dem Motorgehäuse ab.** Nur mit beiden Händen an der Säge können Sie Schnittverletzungen der Hände durch das Sägeblatt vermeiden.
2. **Fassen Sie niemals unter das Werkstück.** Die Schutzvorrichtung bietet unter dem Werkstück keinen Schutz vor dem Sägeblatt.
3. **Passen Sie die Schnitttiefe an die Werkstückdicke an.** Unter dem Werkstück darf nicht mehr als ein kompletter Sägezahn des Sägeblatts sichtbar sein.
4. **Halten Sie das Werkstück niemals in Ihren Händen und legen Sie es zum Sägen niemals quer über**

Ihre Beine. Sichern Sie das Werkstück auf einer stabilen Unterlage. Es ist wichtig, dass Sie das Werkstück ordnungsgemäß abstützen, um Verletzungen, ein Verkanten des Sägeblatts oder den Verlust der Kontrolle zu vermeiden. **(Abb. 1)**

- Halten Sie das Elektrowerkzeug an den isolierten Griffflächen fest, wenn Sie Arbeiten ausführen, bei denen das Schneidwerkzeug auf nicht sichtbare Stromkabel oder auf das eigene Kabel treffen kann.** Bei Kontakt mit einem stromführenden Kabel fließt der Strom durch die Metallteile des Elektrowerkzeugs und wird durch den Bediener abgeleitet, wodurch der Bediener einen Stromschlag erleidet.
- Verwenden Sie bei Längsschnitten immer einen Parallelanschlag oder eine Führungsschiene.** Dies verbessert die Präzision des Schnitts und verringert die Gefahr eines Verkantens des Sägeblatts.
- Verwenden Sie stets Sägeblätter in der richtigen Größe und Form (Raute bzw. Kreis) des Aufnahmelochs.** Bei Sägeblättern, die nicht zu den Montageteilen der Säge passen, kommt es zu einer Unwucht und zum Kontrollverlust.
- Verwenden Sie niemals defekte oder vom Originalteil abweichende Sägeblatt-Befestigungsscheiben oder -schrauben.** Die Unterlegscheiben und Bolzen wurden eigens für Ihre Säge entwickelt, um einen Betrieb mit optimaler Leistung und Sicherheit zu gewährleisten.

Ursachen für Rückschlag und entsprechende Warnhinweise

- Ein Rückschlag entsteht als plötzliche Reaktion auf ein eingeklemmtes, fest sitzendes oder falsch ausgerichtetes Sägeblatt und führt zum unkontrollierten Springen der Säge aus dem Werkstück zum Bediener.
 - Wenn das Sägeblatt abgeklemmt ist oder durch den sich nach unten abschließenden Schlitz fest eingefasst ist, verkantet es sich und die Motorkraft lässt die Säge schnell in Richtung des Bedieners springen.
 - Wenn sich das Sägeblatt im Schnitt verdreht oder verschiebt, können die Zähne an der hinteren Kante des Sägeblatts in die Holzoberfläche hineinragen und dazu führen, dass das Sägeblatt aus dem Schlitz tritt und zurück in Richtung des Bedieners springt.
- Rückschläge werden durch eine falsche Handhabung der Säge und/oder unsachgemäßes Vorgehen oder unsachgemäße Arbeitsbedingungen verursacht und können durch die im Folgenden aufgeführten Maßnahmen vermieden werden.

- Halten Sie die Säge stets mit beiden Händen gut fest und legen Sie Ihre Arme so an, dass Sie Rückschläge abfangen können. Stellen Sie sich seitlich zum Sägeblatt hin; niemals in einer Linie mit dem Sägeblatt.** Bei einem Rückschlag kann die Säge plötzlich nach hinten springen. Derartige Rückschlagkräfte können jedoch durch geeignete Maßnahmen des Bedieners abgefangen werden.
- Wenn sich das Sägeblatt verkantet oder Sie den Sägevorgang aus irgendeinem Grund unterbrechen, müssen Sie den Auslöser loslassen und die Säge bewegungslos bis zum kompletten Stillstand des Sägeblatts im Material festhalten. Versuchen Sie niemals, bei laufendem Sägeblatt**

die Säge aus dem Werkstück zu entfernen oder sie nach hinten herauszuziehen, da dies zu einem Rückschlag führen kann. Überprüfen Sie die Ursache für das Verkanten des Sägeblatts und ergreifen Sie Korrekturmaßnahmen.

- Wenn Sie eine sich im Schnitt befindende Säge wieder einschalten, müssen Sie das Sägeblatt mittig im Sägeschlitz halten, sodass die Sägezähne nicht in das Material greifen.** Falls das Sägeblatt verkantet, kann es beim Wiedereinschalten der Säge hochspringen oder vom Werkstück zurückschlagen.
- Große Werkstücke müssen abgestützt werden, um die Gefahr des Einklemmens des Sägeblatts oder eines Rückschlags zu vermeiden.** Große Werkstücke können sich unter ihrem eigenen Gewicht durchbiegen. Unter dem Werkstück sind nahe der Schnittlinie und nahe den Werkstückkanten beidseitig Stützen zu platzieren. **(Abb. 2 und 3)**
- Verwenden Sie keine stumpfen oder beschädigten Sägeblätter.** Stumpfe oder falsch eingesetzte Sägeblätter führen zu einer sehr engen Schnittfuge, die eine hohe Reibung, ein Verkanten des Sägeblatts und einen Rückschlag zur Folge haben können.
- Stellen Sie vor Arbeitsbeginn sicher, dass die Feststellhebel für die Blatttiefe und die Gehrungseinstellung fest angezogen sind.** Wenn sich die Einstellung des Sägeblatts beim Sägen verschiebt, kann dies zum Verkanten oder zu einem Rückschlag des Sägeblatts führen.
- Seien Sie besonders vorsichtig, wenn Sie einen Schnitt in Wände oder andere nicht einsehbare Bereiche ausführen.** Das vordringende Sägeblatt schneidet möglicherweise in Gegenstände, die einen Rückschlag verursachen können.
- Halten Sie das Werkzeug STETS mit beiden Händen gut fest. Halten Sie NIEMALS Ihre Hand, Bein oder andere Körperteile unter die Werkzeugbasis oder hinter die Säge, vor allem nicht, wenn Sie Trennschnitte vornehmen.** Im Fall eines Rückschlags kann die Säge unter Umständen über Ihre Hand zurückspringen und schwere Verletzungen verursachen. **(Abb. 4)**
- Wenden Sie beim Sägen niemals Gewalt an. Schieben Sie die Säge mit einer Geschwindigkeit vor, die einen verzögerungsfreien Sägeblattbetrieb ermöglicht.** Ein zu starkes Drücken der Säge kann zu unebenen Schnitten, zu Ungenauigkeiten und möglicherweise zu Rückschlägen führen.

Schutzfunktion

- Prüfen Sie vor jeder Inbetriebnahme, dass die bewegliche Schutzhaube korrekt schließt. Verwenden Sie die Säge niemals, wenn die Schutzhaube sich nicht ungehindert bewegen lässt und das Blatt nicht unverzüglich umschließt. Die bewegliche Schutzhaube darf niemals so festgeklemmt oder festgebunden werden, dass das Blatt freiliegt.** Wenn Sie die Säge versehentlich fallen lassen, kann sich die Schutzhaube verbiegen. Stellen Sie sicher, dass die Schutzhaube frei beweglich ist und das Sägeblatt oder andere Teile in keinem Schnittwinkel und keiner Schnitttiefe berührt.

2. **Überprüfen Sie die Funktion und den Zustand der Feder für die bewegliche Schutzhaube. Wenn Schutzhaube und/oder Feder nicht ordnungsgemäß funktionieren, müssen diese vor der Inbetriebnahme repariert werden.** Die bewegliche Schutzhaube kann aufgrund von beschädigten Teilen, klebrigen Rückständen oder Ablagerungen unter Umständen in ihrer Funktionsweise beeinträchtigt sein.
 3. **Stellen Sie sicher, dass sich die Grundplatte der Säge während der Durchführung eines „Tauschnchnitts“ nicht verschiebt.** Seitliches Verschieben des Sägeblatts verursacht Klemmen und möglicherweise Rückschlag.
 4. **Achten Sie stets darauf, dass die Schutzhaube das Sägeblatt abdeckt, bevor Sie die Säge auf die Werkbank oder den Boden legen.** Ein ungeschütztes, noch nachlaufendes Sägeblatt führt dazu, dass die Säge nach hinten läuft und dabei alles zersägt, was ihr im Weg steht. Beachten Sie, dass das Sägeblatt nach dem Loslassen des Schalters einige Zeit nachläuft, bevor es zum Stillstand kommt.
- Zusätzliche Sicherheitshinweise**
1. **Gehen Sie beim Sägen von feuchtem Holz, unter Spannung stehendem Bruchholz oder von Holz, das Astknoten enthält, besonders vorsichtig vor.** Regulieren Sie die Schnittgeschwindigkeit so, dass ein gleichbleibender Vorschub des Werkzeugs ohne eine Verringerung der Geschwindigkeit möglich ist, und dass es beim Sägen von Kunststoff nicht zum Schmelzen des Kunststoffes kommt.
 2. **Versuchen Sie niemals, abgesägtes Material zu entfernen, während das Sägeblatt läuft. Warten Sie bis zum Stillstand des Sägeblatts, bevor Sie abgesägtes Material entfernen.** Sägeblätter laufen nach dem Ausschalten nach.
 3. **Achten Sie darauf, nicht in Nägel zu schneiden. Untersuchen Sie das Werkstück auf Nägel und entfernen Sie diese vor Beginn der Arbeiten.**
 4. **Setzen Sie die Säge mit der großen Auflagefläche des Gleitschuhs auf den fest abgestützten Teil des Werkstücks auf und nicht auf das abzuschneidende Material. Spannen Sie kurze und kleine Werkstücke ein. VERSUCHEN SIE NIEMALS, KURZE WERKSTÜCKE MIT DER HAND ZU HALTEN! (Abb. 5)**
 5. **Warten Sie nach dem Bearbeitungsvorgang, bis das Sägeblatt zum Stillstand gekommen ist. Überprüfen Sie, ob die Schutzhaube geschlossen ist und setzen Sie erst danach das Werkzeug ab.**
 6. **Spannen Sie niemals die Säge nach unten gerichtet in einen Schraubstock ein, um so damit zu sägen. Dies ist äußerst gefährlich und kann zu schweren Unfällen führen. (Abb. 6)**
 7. **Einige Materialien enthalten Chemikalien, die möglicherweise giftig sind. Vermeiden Sie das Einatmen von Staub und den Hautkontakt mit diesen Materialien. Beachten Sie die Sicherheitshinweise und Sicherheitsdatenblätter der Materialhersteller.**
 8. **Bremsen Sie das Werkzeug nicht durch seitlichen Druck auf das Sägeblatt ab.**
 9. **Verwenden Sie keine Schleifscheiben.**
 10. **Verwenden Sie ausschließlich Sägeblätter mit dem auf dem Werkzeug oder in der Bedienungsanleitung angegebenen Durchmesser.** Die Verwendung eines Sägeblatts falscher Größe kann dazu führen, dass das Blatt nicht ordnungsgemäß geschützt oder die Funktion der Schutzhaube beeinträchtigt wird, was schwere Verletzungen zur Folge haben kann.
 11. **Verwenden Sie nur scharfe und saubere Sägeblätter.** Angetrocknete Harz- und Holzreste auf dem Sägeblatt reduzieren die Drehzahl der Säge und erhöhen die Gefahr von Rückschlägen. Halten Sie das Sägeblatt sauber, indem Sie es aus dem Werkzeug ausbauen und mit einem Harz- und Teerentferner, heißem Wasser oder Waschbenzin reinigen. Verwenden Sie niemals Benzin.
 12. **Tragen Sie bei der Arbeit eine Staubmaske und Gehörschutz.**
 13. **Verwenden Sie stets ein Sägeblatt, das zum Sägen des jeweiligen Materials geeignet ist.**
 14. **Verwenden Sie ausschließlich Sägeblätter, deren zulässige Drehzahlen mindestens der auf dem Werkzeug angegebenen Drehzahl entsprechen oder darüber liegen.**
 15. **(Nur für europäische Länder)** Verwenden Sie stets Sägeblätter, welche die Norm EN847-1 erfüllen.

BEWAHREN SIE DIESE ANLEITUNG SORGFÄLTIG AUF.

⚠️ WARNUNG: Lassen Sie sich NIE durch Bequemlichkeit oder (aus fortwährendem Gebrauch gewonnener) Vertrautheit mit dem Gerät dazu verleiten, die für das Gerät gültigen Sicherheitsregeln zu missachten. Bei MISSBRÄUCLICHER Verwendung des Geräts oder bei MISSACHTUNG der in diesem Handbuch enthaltenen Sicherheitshinweise kann es zu schweren Verletzungen kommen.

FUNKTIONSBESCHREIBUNG

ACHTUNG:

- Schalten Sie das Werkzeug stets aus und ziehen Sie den Stecker, bevor Sie Einstellungen oder eine Funktionsprüfung des Werkzeugs vornehmen.

Einstellen der Frästiefe (Abb. 7)

ACHTUNG:

- Ziehen Sie die Klemmschraube nach dem Einstellen der Schnitttiefe stets fest an.

Lösen Sie die Klemmschraube an der Tiefenführung und verschieben Sie den unteren Grenzstopper für das Blatt auf die gewünschte Tiefe an der Maßstabsplatte. Ziehen Sie die Klemmschraube an der gewünschten Tiefe fest an.

Für einen sauberen, sicheren Schnitt stellen Sie die Schnitttiefe so ein, dass nur maximal ein Sägeblattzahn unter dem Werkstück herausragt. Die Verwendung der richtigen Schnitttiefe minimiert die Gefahr von RÜCKSCHLÄGEN, die zu Personenschäden führen können.

HINWEIS:

- Das Einstellen des unteren Grenzstopper für das Blatt auf die gewünschte Tiefe an der Maßstabsplatte erlaubt eine grobe Schnitttiefe.
Für eine exakte Schnitttiefe messen Sie den tatsächlich vorstehenden Teil des Sägeblattes unter der Werkzeugbasis.

Schnellstopptaste für 2 bis 3 mm Schnitttiefe bei Verwendung der Führungsschiene (Zubehör) (Abb. 8 und 9)

Wenn eine Führungsschiene verwendet wird, verfügt dieses Werkzeug am Getriebegehäuse neben dem hinteren Griff über eine Schnellstopptaste für 2 bis 3 mm Schnitttiefe. Diese wird verwendet, um ein Beschädigen des Werkstückes beim Schneiden zu vermeiden. Machen Sie einen Durchgang des ersten Schnitts von 2 bis 3 mm und anschließend einen weiteren Durchgang des normalen Schnitts.

Um die 2 bis 3 mm Schnitttiefe zu erzielen, drücken Sie die Stopptaste in Richtung des Sägeblattes hinein. Dies ist sehr praktisch, um ein Zerkratzen des Werkstückes zu vermeiden.

Zum Lösen der Schnitttiefe aus dieser Position für eine freie Schnitttiefe, ziehen Sie die Taste einfach heraus.

Gehrungsschnitt (Abb. 10)

Neigung nach rechts (Abb. 11 und 12)

Drehen Sie den Feststopper so, dass der Pfeil darauf auf eine der zwei Positionen zeigt (vertikal für 22,5° und horizontal für 45°). Lösen Sie die Klemmschrauben vorn und hinten. Neigen Sie anschließend die Werkzeugbasis bis zum Anschlag, und sichern Sie die Basis mit den Klemmschrauben.

Für einen Gehrungswinkel von 48° verschieben Sie den Hebel auf die 48°-Markierung soweit dies möglich ist. Drehen Sie den Feststopper so, dass der Pfeil darauf auf die horizontale Position zeigt. Neigen Sie anschließend die Werkzeugbasis bis zum Anschlag, und sichern Sie die Basis mit den Klemmschrauben.

Neigen nach links (Abb. 13)

Das Werkzeug kann um 1° Gehrungswinkel nach links geneigt werden. Zum Einstellen des Gehrungswinkels von 1° lösen Sie die Klemmschrauben vorne und hinten, neigen Sie den Werkzeuggriff leicht nach rechts und drücken Sie gleichzeitig die beiden Umschalthebel für den Gehrungswinkel in Pfeilrichtung mit der Markierung -1. Neigen Sie anschließend den Werkzeuggriff nach links, während Sie diese beiden Hebel gleichzeitig drücken. Sichern den Fuß mit den Klemmschrauben.

HINWEIS:

- Durch das Zurückfahren des Blattes zum rechten Winkel kehrt der Umschalthebel selbst auf 0° zurück.

Schnittlinie (Abb. 14)

Bei Verwendung des Werkzeugs ohne Führungsschiene (Zubehör)

Für Geradschnitte richten Sie die Position A an der Vorderseite des Gleitschuhs auf Ihre Schnittlinie aus. Für 45°-Gehrungsschnitte richten Sie die Position B an der Vorderseite des Gleitschuhs auf Ihre Schnittlinie aus.

Bei Verwendung des Werkzeugs mit Führungsschiene (Zubehör)

Für Geradschnitte und 45°-Gehrungsschnitte richten Sie immer die Position A an der Vorderseite des Gleitschuhs auf Ihre Schnittlinie aus.

Bedienung des Schalters (Abb. 15)

ACHTUNG:

- Achten Sie vor dem Einstecken des Werkzeug-Netzsteckers darauf, dass sich der Ein/Aus-Schalter korrekt bedienen lässt und beim Loslassen in die Position „OFF“ (AUS) zurückkehrt.

Damit die Auslöseschaltung nicht versehentlich gezogen wird, befindet sich am Werkzeug eine Entsperrungstaste. Zum Start des Werkzeugs müssen die Entsperrungstaste gedrückt und die Auslöseschaltung gezogen werden. Lassen Sie zum Ausschalten des Werkzeugs den Ein/Aus-Schalter los.

Drehzahl-Stellrad (Abb. 16)

Die Werkzeuggeschwindigkeit kann durch Drehen des Drehzahl-Einstellrads eingestellt werden. Sie erreichen eine höhere Drehzahl, wenn das Rad in Richtung der Zahl 6 gedreht wird; wird es in Richtung der Zahl 1 gedreht, verringert sich die Drehzahl.

Wählen Sie anhand der Tabelle die geeignete Drehzahl für das zu schneidende Werkstück. Die entsprechende Drehzahl kann von der Art und der Dicke des Werkstückes abhängen. Allgemein gilt, dass Sie bei höheren Drehzahlen die Werkstücke schneller schneiden können, allerdings bei geringerer Lebenszeit des Sägeblattes.

| Nummer | min ⁻¹ |
|--------|-------------------|
| 1 | 2.200 |
| 2 | 2.700 |
| 3 | 3.800 |
| 4 | 4.900 |
| 5 | 6.000 |
| 6 | 6.400 |

015770

ACHTUNG:

- Das Drehzahl-Stellrad lässt sich nur bis 6 und zurück auf 1 drehen. Wird es gewaltsam über 6 oder 1 hinaus gedreht, lässt sich die Drehzahl möglicherweise nicht mehr einstellen.
- Das Drehzahl-Stellrad dient nicht der Verwendung von Sägeblättern mit niedriger Nenndrehzahl, sondern um eine Drehzahl zu erreichen, die für das Material des Werkstückes geeignet ist. Verwenden Sie ausschließlich Sägeblätter, die mindestens für die in den TECHNISCHEN ANGABEN angegebene Leerlauf-Drehzahl ausgelegt sind.

Die Werkzeuge verfügen über elektronische Funktionen und sind auf Grund der folgenden Merkmale einfach zu bedienen.

Überlastungsschutz

Wird das Werkzeug überlastet und der Strom übersteigt ein bestimmtes Niveau, stoppt das Werkzeug automatisch, um den Motor zu schützen.

Regelung einer konstanten Drehzahl

Die elektronische Drehzahlregelung erreicht eine konstante Drehzahl. Dadurch wird auch bei Belastung eine saubere Schnittfläche erreicht.

Soft-Start-Funktion

Weiches Anlaufen auf Grund eines unterdrückten Anlaufruckens.

MONTAGE

ACHTUNG:

- Schalten Sie das Werkzeug stets aus und ziehen Sie den Stecker, bevor Sie irgendwelche Arbeiten am Werkzeug vornehmen.

Aufbewahrung des Inbusschlüssels (Abb. 17)

Der Inbusschlüssel wird am Werkzeug aufbewahrt. Ziehen Sie den Inbusschlüssel einfach heraus. Zum Befestigen des Inbusschlüssels, schieben Sie diesen so weit wie möglich in den Griff.

Montage und Demontage des Sägeblatts

ACHTUNG:

- Verwenden Sie niemals Sägeblätter, die den in diesen Anleitungen angegebenen Kenngrößen nicht entsprechen.
- Verwenden Sie ausschließlich Sägeblätter, die mindestens für die in den TECHNISCHEN ANGABEN angegebene Leerlauf-Drehzahl ausgelegt sind.
- Montieren Sie das Sägeblatt so, dass seine Zähne an der Vorderseite des Werkzeugs nach oben zeigen.
- Verwenden Sie nur den mitgelieferten Schraubenschlüssel von Makita zum Demontieren oder Montieren des Sägeblatts.

Zum Ausbauen des Sägeblatts drücken Sie die Entsperrungstaste hinein, um den oberen Grenzstopper zu lösen. **(Abb. 18)**

Drehen Sie den Sperrhebel, um den Sägekopf für den Austausch eines Sägeblatts zu verriegeln. **(Abb. 19)** Senken Sie bei gedrückter Entriegelungstaste und gedrehtem Sperrhebel den Griff, sodass der Sperrstift in die Kerbe passt, die sich zwischen Sperrhebel und der Tiefenführung mit der Skalenplatte bildet. Prüfen Sie, dass der Sperrstift in die Kerbe passt. Drücken Sie die Spindelarretierung, um ein Drehen des Sägeblatts zu verhindern, und lösen Sie die Sechskantschraube durch Linksdrehung des Schraubenschlüssels. Nehmen Sie dann Sechskantschraube, Außenflansch und Sägeblatt ab. **(Abb. 20)**

Zum Montieren des Sägeblatts befolgen Sie die Einbauprozedur in umgekehrter Reihenfolge. ZIEHEN SIE DIE SCHRAUBE IM UHRZEIGERSINN FEST AN. **(Abb. 21)**

Reinigung des Blattschutzes

Beim Tausch des Kreissägeblatts ist unbedingt auch der sich angesammelte Sägemehl vom Blattschutz wegzuräumen, wobei nach der Beschreibung im Kapitel Wartung vorzugehen ist. Dies ersetzt nicht die Überprüfung der Funktion der Schutzhaube vor jeder Verwendung.

Anschließen eines Staubsaugers (Abb. 22)

Um größere Sauberkeit bei der Arbeit zu erzielen, schließen Sie einen Makita Staubsauger an Ihr Werkzeug an. Schließen Sie den Schlauch eines Staubsaugers an den Staubschutzanschluss wie in der Abbildung dargestellt an.

BETRIEB

Abschnitte sägen (gewöhnliches Sägen) (Abb. 23)

ACHTUNG:

- Schieben Sie das Werkzeug beim Schneiden stets sachte vor. Übermäßige Druckausübung oder Verdrehen des Werkzeugs bewirken eine Überhitzung des Motors und gefährliche Rückschläge, die möglicherweise zu schweren Verletzungen führen können.
- Halten Sie niemals ein Körperteil unter die Werkzeugbasis, wenn Sie Abschnitte sägen, vor allem nicht beim Anlaufen. Zuwiderhandlungen können zu schweren Personenschäden führen. Das Sägeblatt tritt unter der Werkzeugbasis hervor.

Halten Sie das Werkzeug mit festem Griff. Das Werkzeug verfügt sowohl über einen vorderen als auch einen hinteren Griff. Verwenden Sie beide Griffe, um so bestmöglich das Werkzeug zu umfassen. Wenn Sie die Säge mit beiden Händen festhalten, vermeiden Sie Verletzungen durch das Sägeblatt. Setzen Sie das Vorderteil der Basis auf das zu schneidende Werkstück auf, ohne dass das Sägeblatt mit ihm in Berührung kommt. Drücken Sie anschließend die Entriegelungstaste, schalten Sie das Werkzeug ein und warten Sie, bis das Sägeblatt die volle Drehzahl erreicht hat. Drücken Sie nun den Sägekopf langsam auf die voreingestellte Schnitttiefe und schieben Sie das Werkzeug flach und gleichmäßig über die Oberfläche des Werkstücks vor, bis der Schnitt vollendet ist.

Um saubere Schnitte zu erzielen, halten Sie eine gerade Schnittlinie und eine gleichmäßige Vorschubgeschwindigkeit ein. Wenn der Schnitt nicht genau Ihrer beabsichtigten Schnittlinie folgt, versuchen Sie nicht, das Werkzeug zurück zur Schnittlinie zu drehen oder mit Gewalt zu schieben. Dies kann zum Einklemmen des Sägeblatts führen und somit zu einem gefährlichen Rückschlag und möglicherweise zu schweren Verletzungen. Betätigen Sie den Schalter, warten Sie auf den Stillstand des Sägeblatts, und ziehen Sie dann das Werkzeug zurück. Setzen Sie das Werkzeug an der neuen Schnittlinie an, und starten Sie den Sägevorgang erneut. Versuchen Sie dabei, Positionen zu vermeiden, in denen der Bediener den vom Sägeblatt ausgestoßenen Sägespänen und Staub ausgesetzt ist. Tragen Sie eine Schutzbrille, um Verletzungen zu vermeiden.

Bei Verwendung mit Führungsschiene (Zubehör) (Abb. 24 und 25)

Platzieren Sie das Werkzeug am hinteren Ende der Führungsschiene. Drehen Sie die Justierschrauben auf der Werkzeugbasis so, dass sich das Werkzeug weich ohne Klappern verschieben lässt. Halten Sie das Werkzeug mit festem Griff. Das Werkzeug verfügt sowohl

über einen vorderen als auch einen hinteren Griff. Verwenden Sie beide Griffe, um so bestmöglich das Werkzeug zu umfassen. Schalten Sie das Werkzeug ein, drücken Sie das Werkzeug bis zur voreingestellten Schnitttiefe und schneiden Sie den Splitterschutz entlang der vollen Länge mit einem Schub. Die Kante des Splitterschutzes entspricht der Schnittkante. Bei einem Gehrungsschnitt mit der Führungsschiene schieben Sie den Schiebehebel an der Werkzeugbasis so, dass das Werkzeug nicht auf die Seite fallen kann. Schieben Sie den Schiebehebel an der Werkzeugbasis in die Pfeilrichtung, sodass er in die Hinterschnittkerbe in der Führungsschiene eingreift.

Parallelanschlag (Führungslinial) (Sonderzubehör) (Abb. 26)

Der praktische Parallelanschlag ermöglicht die Ausführung besonders genauer Geradschnitte. Schieben Sie den Parallelanschlag einfach fest anliegend gegen die Werkstückkante, und sichern Sie ihn mit der Feststellschraube an der Vorder- und Rückseite der Basis. Wiederholte Schnitte auf gleicher Breite sind ebenfalls möglich.

Durch Umkippen des Parallelenschlags (Führungsschiene) kann dieser auch als Hilfsbasis für das Werkzeug dienen.

Tauchsägen (Ausschneiden) (Abb. 27)

WARNUNG:

- Achten Sie auf die Einhaltung der folgenden Anweisungen, um einen Rückschlag zu vermeiden.

Bei Verwendung des Werkzeugs ohne Führungsschiene

Platzieren Sie das Werkzeug auf dem Werkstück mit der hinteren Kante des Werkzeugs gegen eines festen Stopp oder ähnliches, der vom Bediener eingerichtet wird.

Bei Verwendung des Werkzeugs mit Führungsschiene

Platzieren Sie das Werkzeug auf der Führungsschiene mit der hinteren Kante des Werkzeugs gegen eines festen Stopp oder ähnliches, der auf die Führungsschiene geklemmt wird.

Halten Sie das Werkzeug mit einer Hand am Vordergriff und mit der anderen am Werkzeuggriff fest. Drücken Sie anschließend die Entriegelungstaste, schalten Sie das Werkzeug ein und warten Sie, bis das Sägeblatt die volle Drehzahl erreicht hat. Drücken Sie nun den Sägekopf langsam bis zur voreingestellten Tiefe, und schieben Sie das Werkzeug einfach in Richtung der gewünschten Tauchposition.

HINWEIS:

- Die Markierungen an der Seite der Blattführung zeigen die vorderen und hinteren Schnittpunkte des Sägeblatts (A für Durchmesser 160 mm und B für Durchmesser 165 mm) bei maximaler Schnitttiefe und unter Verwendung der Führungsschiene. **(Abb. 28)**

Führungsgerät (Zubehör)

Die Verwendung der Gehrungsfugenlehre (Zubehör) ermöglicht exakte Gehrungsschnitte mit Winkeln und Passarbeiten.

Die Verwendung der Klemme (Zubehör) gewährleistet einen sichern Halt des Werkstücks auf dem Werkstisch.

WARTUNG

ACHTUNG:

- Schalten Sie das Werkzeug stets aus und ziehen Sie den Stecker, bevor Sie Inspektionen oder Wartungsarbeiten am Werkzeug vornehmen.
- **Reinigen Sie die Schutzhaube, um sicherzustellen, dass sich kein Sägemehl ansammelt, das die Funktion der Schutzeinrichtung beeinträchtigen könnte.** Eine verschmutzte Schutzeinrichtung kann in ihrer ordnungsgemäßen Funktion eingeschränkt sein, was zu schweren Verletzungen führen kann. Druckluft hat sich als wirksamste Methode zur Reinigung erwiesen. **Wenn das Sägemehl aus der Schutzhaube geblasen wird, ist sicherzustellen, dass entsprechender Augen- und Atemschutz getragen wird.**
- Verwenden Sie zum Reinigen niemals Kraftstoffe, Benzin, Verdünner, Alkohol oder ähnliches. Dies kann zu Verfärbungen, Verformungen oder Rissen führen.

Einstellen der 90°- und 45°-Schnittgenauigkeit (Vertikal- und 45°-Schnitt) (Abb. 29 und 30)

Diese Einstellung wurde werkseitig vorgenommen. Sollte sie verstellt sein, müssen die Einstellschrauben mit einem Inbusschlüssel nachjustiert werden, während das Sägeblatt mithilfe eines Einstelldreiecks, Anschlagwinkels, etc. in den Winkel von 90° oder 45° gebracht wird.

HINWEIS:

- Eine Anpassung auf genau 22,5°, 48° und -1° kann nicht durchgeführt werden.

Ersetzen der Kohlebürsten (Abb. 31 und 32)

Entfernen und überprüfen Sie die Kohlebürsten in regelmäßigen Abständen.

Ersetzen Sie diese, wenn sie bis zur Verschleißgrenze abgenutzt sind. Halten Sie die Kohlebürsten sauber und sorgen Sie dafür, dass sie locker in den Halterungen liegen.

Beide Kohlebürsten sollten gleichzeitig ersetzt werden.

Verwenden Sie nur identische Kohlebürsten.

Verwenden Sie einen Schraubendreher, um die Bürstenhalterkappen zu entfernen.

Entnehmen Sie die verbrauchten Kohlebürsten, legen Sie die neuen ein und bringen Sie die Bürstenhalterkappen wieder fest an.

Um die SICHERHEIT und ZUVERLÄSSIGKEIT des Produkts zu gewährleisten, sollten Reparaturen, Wartungsarbeiten und Einstellungen nur durch von Makita autorisierte Servicecenter durchgeführt und immer Makita-Ersatzteile verwendet werden.

SONDERZUBEHÖR

⚠️ ACHTUNG:

- Für das in diesem Handbuch beschriebene Makita-Gerät werden die folgenden Zubehör- und Zusatzteile empfohlen. Bei Verwendung anderer Zubehör- und

Zusatzteile kann es zu Verletzungen kommen.
Verwenden Sie Zubehör- und Zusatzteile nur für den vorgesehenen Zweck.

Informationen zu diesem Zubehör erhalten Sie von Ihrem Makita-Servicecenter.

- Sägeblätter
- Führungsschiene
- Parallelanschlag (Führungslinial)
- Gehrungsfugenlehre
- Klemme
- Inbusschlüssel
- Schutzblech für Führungsschiene
- Gummi-Schutz für Führungsschiene
- Positionsschutz für Führungsschiene

HINWEIS:

- Einige der in der Liste aufgeführten Elemente sind dem Werkzeugpaket als Standardzubehör beigelegt. Diese können in den einzelnen Ländern voneinander abweichen.

Schallpegel

ENG905-1

Typischer A-bewerteter Schallpegel nach EN62841-2-5:

Schalldruckpegel (L_{pA}): 95 dB (A)

Schalleistungspegel (L_{WA}): 103 dB (A)

Abweichung (K): 3 dB (A)

ENG907-1

- Der (Die) angegebene(n) Schallemissionswert(e) wurde(n) im Einklang mit der Standardprüfmethode gemessen und kann (können) für den Vergleich zwischen Werkzeugen herangezogen werden.
- Der (Die) angegebene(n) Schallemissionswert(e) kann (können) auch für eine Vorbewertung des Gefährdungsgrads verwendet werden.

WARNUNG:

- **Einen Gehörschutz tragen.**
- **Die Schallemission während der tatsächlichen Benutzung des Elektrowerkzeugs kann je nach der Benutzungsweise des Werkzeugs, und speziell je nach der Art des bearbeiteten Werkstücks, von dem (den) angegebenen Wert(en) abweichen.**
- **Identifizieren Sie Sicherheitsmaßnahmen zum Schutz des Benutzers anhand einer Schätzung des Gefährdungsgrads unter den tatsächlichen Benutzungsbedingungen (unter Berücksichtigung aller Phasen des Arbeitszyklus, wie z. B. Ausschalt- und Leerlaufzeiten des Werkzeugs zusätzlich zur Betriebszeit).**

Schwingung

ENG900-1

Schwingungsgesamtwerte (Vektorsumme dreier Achsen) nach EN62841-2-5:

Arbeitsmodus: Schneiden von Holz

Schwingungsbelastung ($a_{h, w}$): 2,5 m/s² oder weniger

Abweichung (K): 1,5 m/s²

Arbeitsmodus: Schneiden von Metall

Schwingungsbelastung ($a_{h, m}$): 2,5 m/s² oder weniger

Abweichung (K): 1,5 m/s²

ENG901-2

- Der (Die) angegebene(n) Vibrationsgesamtwert(e) wurde(n) im Einklang mit der Standardprüfmethode gemessen und kann (können) für den Vergleich zwischen Werkzeugen herangezogen werden.

- Der (Die) angegebene(n) Vibrationsgesamtwert(e) kann (können) auch für eine Vorbewertung des Gefährdungsgrads verwendet werden.

WARNUNG:

- **Die Vibrationsemission während der tatsächlichen Benutzung des Elektrowerkzeugs kann je nach der Benutzungsweise des Werkzeugs, und speziell je nach der Art des bearbeiteten Werkstücks, von dem (den) angegebenen Emissionswert(en) abweichen.**
- **Identifizieren Sie Sicherheitsmaßnahmen zum Schutz des Benutzers anhand einer Schätzung des Gefährdungsgrads unter den tatsächlichen Benutzungsbedingungen (unter Berücksichtigung aller Phasen des Arbeitszyklus, wie z. B. Ausschalt- und Leerlaufzeiten des Werkzeugs zusätzlich zur Betriebszeit).**

Konformitätserklärungen

Nur für europäische Länder

Die Konformitätserklärungen sind in Anhang A dieser Betriebsanleitung enthalten.

ITALIANO (Istruzioni originali)

Spiegazione della vista generale

- | | | |
|--|--|---|
| 1. Vite di serraggio | 13. Manopola di regolazione della velocità | 25. Guida di taglio (regolo guida) |
| 2. Fermo per limite inferiore lama | 14. Chiave esagonale | 26. Parte posteriore della base dell'utensile |
| 3. Pulsante di arresto rapido | 15. Levetta di blocco | 27. Arresto fisso |
| 4. Viti di serraggio | 16. Blocco dell'albero | 28. Vite di regolazione per il taglio a 90° |
| 5. Base dell'utensile | 17. Bullone esagonale | 29. Vite di regolazione per il taglio a 45° |
| 6. Fermo positivo | 18. Flangia esterna | 30. Indicatore di limite |
| 7. Leva | 19. Lama della sega | 31. Cacciavite |
| 8. Leva di regolazione dell'angolo di taglio obliquo | 20. Flangia interna | 32. Coperchio portaspazzola |
| 9. Base | 21. Aspiratore | |
| 10. Linea di taglio | 22. Area di espulsione della polvere | |
| 11. Sicura di accensione | 23. Viti di regolazione | |
| 12. Interruttore | 24. Leva di scorrimento | |

CARATTERISTICHE TECNICHE

| | | |
|---------------------------------------|-------|---------------|
| Modello | | SP6000 |
| Diametro lama | | 165 mm |
| Profondità massima di taglio | a 90° | 56 mm |
| | a 45° | 40 mm |
| | a 48° | 38 mm |
| Velocità a vuoto (min ⁻¹) | | 2.200 - 6.400 |
| Lunghezza totale | | 341 mm |
| Peso netto | | 4,1 kg |
| Classe di sicurezza | | □/II |

- Le caratteristiche tecniche di seguito riportate sono soggette a modifiche senza preavviso in virtù del nostro programma continuo di ricerca e sviluppo.
- Le caratteristiche tecniche possono differire da paese a paese.
- Il peso può variare in base agli accessori in uso. Le combinazioni più leggere e pesanti, in conformità alla procedura EPTA 01/2014, sono mostrate nella tabella.

Uso previsto

ENE067-2

L'utensile è progettato in modo particolare per l'esecuzione di tagli ad immersione. Questo utensile è progettato anche per eseguire tagli longitudinali e trasversali nel legno. Qualora l'utensile sia dotato di una lama adeguata per sega circolare, può essere utilizzato per il taglio di tavole in alluminio, in plastica, tavole di rivestimento esterno e pannelli a muro in metallo.

Alimentazione

ENF002-2

L'utensile deve essere collegato a una presa di corrente con la stessa tensione di quella indicata sulla targhetta e può funzionare soltanto con corrente alternata monofase. L'utensile è dotato di doppio isolamento, pertanto può essere usato anche con prese di corrente sprovviste della messa a terra.

Avvertenze generali relative alla sicurezza dell'utensile elettrico

GEA010-2

⚠ AVVERTENZA: Leggere tutte le avvertenze di sicurezza, le istruzioni, le illustrazioni e i dati tecnici forniti con il presente utensile elettrico. La mancata osservanza di tutte le istruzioni elencate di seguito

potrebbe risultare in scosse elettriche, incendi e/o gravi lesioni personali.

Conservare tutte le avvertenze e le istruzioni come riferimento futuro.

Il termine "utensile elettrico" nelle avvertenze si riferisce sia all'utensile elettrico (cablato) nel funzionamento alimentato da rete elettrica che all'utensile elettrico (a batteria) nel funzionamento alimentato a batteria.

AVVERTENZE DI SICUREZZA PER LA SEGA CIRCOLARE

GEB144-3

Procedure di taglio

- ⚠ PERICOLO:** tenere le mani lontane dall'area di taglio e dalla lama. Posare la mano che non impugna l'utensile sull'impugnatura ausiliaria o sull'alloggiamento del motore. Se entrambe le mani vengono utilizzate per tenere la sega, non potranno essere colpite dalla lama.
- Non toccare il pezzo in lavorazione dalla parte inferiore.** Il coprilama non esercita alcuna protezione al di sotto del pezzo in lavorazione.

3. **Regolare la profondità di taglio in base allo spessore del pezzo in lavorazione.** La lama deve sporgere al di sotto del pezzo in lavorazione per un tratto inferiore alla lunghezza di uno dei suoi denti.
4. **Non tenere mai il pezzo da tagliare tra le mani o sulle gambe. Fissare il pezzo in lavorazione a una superficie stabile.** Per la sicurezza personale è importante ridurre al minimo l'eventualità di contatto con il corpo, di blocco della lama o di perdita di controllo dell'utensile. (Fig. 1)
5. **Se vengono eseguite operazioni in cui lo strumento di taglio può toccare fili nascosti o il cavo di alimentazione, impugnare l'utensile utilizzando solo i punti di presa isolati.** In caso di contatto con un filo percorso da corrente, le parti metalliche esposte dell'utensile si troveranno anch'esse sotto tensione e potrebbero provocare scosse elettriche all'operatore.
6. **Quando si eseguono tagli longitudinali, utilizzare sempre una guida di taglio.** In tal modo il taglio risulterà più accurato e il rischio di blocco della lama sarà ridotto.
7. **Utilizzare sempre lame con dimensioni e sagoma (romboidale o rotonda) dei fori dell'albero appropriate.** Le lame che non corrispondono alla sagoma o al supporto di montaggio della sega determinano una rotazione eccentrica e possono provocare la perdita di controllo dell'utensile.
8. **Non utilizzare rondelle o bulloni danneggiati o inappropriati per la lama.** Le rondelle e il bullone della lama sono progettati appositamente per la sega e garantiscono prestazioni migliori e maggiore sicurezza.

Cause dei contraccolpi e avvertenze correlate

- Un contraccolpo è una reazione improvvisa dovuta a frizioni, ostacoli o disallineamenti della lama della sega, che provoca il sollevamento improvviso della sega. Quest'ultima può allontanarsi dal pezzo in lavorazione e muoversi in direzione dell'operatore.
- Quando la lama è ostacolata o bloccata dalla chiusura delle due estremità del taglio, rimane in fase di stallo e la reazione del motore fa sì che l'unità si muova rapidamente all'indietro verso l'operatore.
- Se la lama si incurva o si disallinea rispetto al taglio, i denti del bordo posteriore della lama colpiscono la superficie superiore del legno provocando la fuoriuscita della lama dal taglio e il movimento improvviso dell'utensile verso l'operatore.

I contraccolpi sono determinati dall'uso improprio della sega e/o da procedure o condizioni operative errate e possono essere evitati adottando le specifiche precauzioni illustrate di seguito.

1. **Mantenere una presa salda con entrambe le mani sulla sega e posizionare le braccia in modo da poter contrastare efficacemente i contraccolpi. Posizionare il corpo a destra o a sinistra della lama, evitando di allinearla con la lama stessa.** I contraccolpi possono provocare uno spostamento improvviso della sega all'indietro, ma possono essere controllati dall'operatore adottando precauzioni appropriate.
2. **Quando la lama è incastrata o se si desidera interrompere il taglio per qualsiasi motivo, rilasciare l'interruttore e attendere l'arresto**

completo della lama senza spostare la sega dal materiale. Per evitare contraccolpi, non rimuovere la sega dal pezzo in lavorazione e non tirarla all'indietro mentre la lama è in movimento.

- Esaminare le condizioni operative e attuare gli interventi correttivi necessari per eliminare le cause del blocco della lama.
3. **Quando si riavvia la sega con la lama inserita nel pezzo in lavorazione, centrare accuratamente la lama nel taglio e controllare che i denti della sega non siano inseriti nel materiale.** Se la lama è bloccata o incastrata, il riavvio della sega può provocare l'innalzamento improvviso dell'utensile o un contraccolpo.
 4. **Per ridurre al minimo il rischio di ostacolare la lama ed eventuali contraccolpi, sostenere adeguatamente i pannelli di grandi dimensioni da tagliare.** I pannelli di grandi dimensioni tendono a flettersi sotto il loro stesso peso. Collocare i sostegni al di sotto del pannello su entrambi i lati, sia vicino alla linea di taglio che all'estremità del pannello. (Fig. 2 e 3)
 5. **Non utilizzare lame non affilate o danneggiate.** Lame non affilate o in condizioni improprie producono tagli di spessore limitato e determinano il blocco della lama, una frizione eccessiva e pericolosi contraccolpi.
 6. **Prima di eseguire il taglio, accertarsi di aver serrato accuratamente le leve di regolazione della profondità e dell'angolazione di taglio.** Se le leve di regolazione della lama si muovono durante il taglio, la lama potrebbe bloccarsi e potrebbero verificarsi contraccolpi.
 7. **Prestare particolare attenzione durante il taglio all'interno di pareti esistenti o altre zone cieche.** Avanzando, la parte sporgente della lama può colpire oggetti non visibili e determinare un contraccolpo.
 8. **Tenere SEMPRE saldamente l'utensile con entrambe le mani. NON porre mai le proprie mani, gambe o qualsiasi altra parte del corpo sotto la base dello strumento o dietro la sega, soprattutto quando vengono effettuati tagli trasversali.** In caso di contraccolpi, la sega potrebbe arretrare improvvisamente e colpire le mani, determinando gravi lesioni personali. (Fig. 4)
 9. **Non forzare mai la sega. Spingere la sega in avanti a una velocità tale che la lama esegua il taglio senza subire rallentamenti.** Una spinta eccessiva sulla sega può comportare tagli non netti o imprecisi, nonché il verificarsi di contraccolpi.

Funzione del coprilama

1. **Prima di ogni utilizzo, assicurarsi che il coprilama sia posizionato correttamente. Non utilizzare la sega se il coprilama non è libero di muoversi e di chiudere la lama all'istante. Non bloccare il coprilama lasciando la lama esposta.** In caso di caduta accidentale della sega, il coprilama potrebbe deformarsi. Accertarsi che il coprilama sia libero di muoversi e che non tocchi la lama o altre parti dell'utensile, eseguendo prove con diverse angolazioni e profondità di taglio.
2. **Controllare il funzionamento e le condizioni della molla di ritorno del coprilama. Se il coprilama e la molla non funzionano correttamente, prima di utilizzare la sega è necessario ripristinarne**

l'efficienza con gli opportuni interventi di manutenzione e/o riparazione. Parti danneggiate e incrostazioni di resine, collanti o residui di lavorazione possono pregiudicare il corretto funzionamento del coprilama.

3. **Accertarsi che la piastra di base della sega non si sposti durante l'esecuzione di un "taglio a immersione".** Lo spostamento laterale della lama causa inceppamenti e un probabile contraccolpo.
4. **Prima di collocare la sega sul banco o sul pavimento, accertarsi sempre che il coprilama copra la lama.** Se la lama non è protetta ed è in rotazione, la sega si sposterà all'indietro tagliando tutto ciò che incontra sul suo percorso. Prestare attenzione al tempo necessario per il completo arresto della lama dopo aver rilasciato l'interruttore.

Avvertenze di sicurezza supplementari

1. **Prestare particolare attenzione quando si eseguono tagli su legno umido, trattato a pressione o con nodi.** Far avanzare l'utensile in maniera uniforme, senza ridurre la velocità della lama, onde evitare il surriscaldamento delle punte della lama e, in caso di taglio della plastica, per evitare la fusione della plastica stessa.
2. **Non rimuovere il materiale residuo della lavorazione se la lama è in movimento. Prima di rimuovere il materiale residuo della lavorazione, attendere che la lama si arresti completamente.** Le lame continuano a ruotare per inerzia dopo lo spegnimento dell'utensile.
3. **Evitare di tagliare chiodi. Prima di eseguire il taglio, esaminare attentamente il pezzo in lavorazione e rimuovere eventuali chiodi.**
4. **Collocare la superficie più ampia della base della sega sulla parte del pezzo in lavorazione che poggia sui sostegni, non sulla parte destinata a cadere una volta eseguito il taglio. Se il pezzo in lavorazione è di dimensioni ridotte, bloccarlo in una morsa. NON TENERE PEZZI DI DIMENSIONI RIDOTTE CON LE MANI (Fig. 5)**
5. **Prima di posare l'utensile dopo aver completato il taglio, accertarsi che il coprilama sia chiuso e che la lama si sia completamente arrestata.**
6. **Non utilizzare la sega circolare capovolgendola e bloccandola in una morsa. Si tratta di una modalità operativa estremamente pericolosa che può provocare incidenti di grave entità. (Fig. 6)**
7. **Alcuni materiali contengono prodotti chimici che possono essere tossici. Prendere le adeguate precauzioni per evitare l'inalazione della polvere e il contatto con la pelle. Attenersi alle istruzioni per la sicurezza del fornitore dei materiali.**
8. **Non arrestare la lama applicando una pressione laterale sulla lama stessa.**
9. **Non utilizzare dischi abrasivi.**
10. **Utilizzare esclusivamente una lama della sega avente il diametro indicato sull'utensile o specificato nelle istruzioni.** L'uso di una lama di dimensioni errate potrebbe influire sulla corretta protezione della lama e sul funzionamento del coprilama, causando gravi danni alla persona.
11. **Mantenere la lama affilata e pulita.** Residui o incrostazioni di collanti e resina sulle lame possono rallentare il taglio e aumentare la possibilità di

contraccolpi. Per pulire la lama, rimuoverla dall'utensile ed eliminare le incrostazioni con un solvente appropriato, acqua calda o cherosene. Non utilizzare benzina.

12. **Quando si utilizza l'utensile, indossare una protezione acustica e una maschera antipolvere.**
13. **Utilizzare sempre la lama destinata al taglio del materiale che si intende tagliare.**
14. **Utilizzare esclusivamente lame ideate per una velocità pari o superiore alla velocità indicata sull'utensile.**
15. **(solo per i paesi europei)
Utilizzare sempre lame conformi alla norma EN847-1.**

CONSERVARE QUESTE ISTRUZIONI.

⚠ AVVERTENZA: Non lasciare che la comodità o la familiarità acquisita con il prodotto (dovuta all'uso ripetuto) provochi l'inosservanza delle norme di sicurezza. L'USO IMPROPRIO o la mancata osservanza delle norme di sicurezza indicate in questo manuale possono provocare gravi danni alla persona.

DESCRIZIONE FUNZIONALE

ATTENZIONE:

- Prima di regolazione o controllare le funzioni dell'utensile, verificare sempre di averlo spento e scollegato dall'alimentazione.

Regolazione della profondità di taglio (Fig. 7)

ATTENZIONE:

- Dopo aver regolato la profondità di taglio, stringere accuratamente la vite di serraggio. Allentare le vite di serraggio sulla guida di profondità e spostare il fermo per il limite inferiore della lama sulla profondità desiderata indicata dalla targhetta di misurazione. Alla profondità di taglio desiderata, stringere saldamente la vite di serraggio. Per garantire la massima sicurezza e accuratezza, impostare la profondità di taglio in modo che dal pezzo in lavorazione fuoriesca solo un dente della lama. Una regolazione corretta della profondità di taglio consente di ridurre l'eventualità di pericolosi CONTRACCOLPI che possono provocare lesioni personali.

NOTA:

- L'impostazione del fermo per il limite inferiore della lama sulla profondità desiderata indicata dalla targhetta di misurazione permette di impostare una profondità di taglio approssimativa. Per una profondità di taglio accurata, misurare l'effettiva sporgenza della lama della sega sotto la base dell'utensile.

Pulsante di arresto rapido per profondità di taglio di 2-3 mm durante l'uso del binario guida (accessori) (Fig. 8 e 9)

L'utensile dispone del pulsante di arresto rapido per tagli con profondità compresa tra 2 e 3 mm; si trova sul telaio

esterno, in prossimità della maniglia posteriore, quando è in uso il binario guida. Viene utilizzato per evitare schegge sul pezzo in lavorazione. Effettuare un primo passaggio di taglio 2-3 mm, quindi un altro passaggio di taglio consueto.

Per ottenere la profondità di taglio 2-3 mm, premere il pulsante di arresto verso la lama della sega. È una procedura comoda per evitare schegge sul pezzo in lavorazione.

Per sbloccare la posizione e consentire di nuovo una profondità di taglio libera, è sufficiente rilasciare il pulsante.

Tagli obliqui (Fig. 10)

Inclinazione verso destra (Fig. 11 e 12)

Ruotare il fermo positivo in modo che la freccia sia rivolta in una delle due posizioni specificate: verticale per 22,5°, orizzontale per 45°. Allentare le viti di serraggio anteriori e posteriori, quindi inclinare la base dell'utensile fino al punto di arresto e fissarla con le viti di serraggio.

Per ottenere un angolo obliquo di 48°, spostare la leva verso l'indicatore 48° fino all'arresto della leva stessa.

Ruotare il fermo positivo in modo che la freccia si trovi in posizione orizzontale, quindi inclinare la base dell'utensile fino al punto di arresto e fissarla con le viti di serraggio.

Inclinazione verso sinistra (Fig. 13)

L'utensile può essere inclinato verso sinistra con un angolo di 1°. Per ottenere l'angolo obliquo di 1° verso sinistra, allentare le viti di serraggio anteriori e posteriori, inclinare leggermente la maniglia dell'utensile verso destra e premere contemporaneamente le due leve di regolazione dell'angolo di taglio obliquo nella direzione della freccia con indicatore - 1. Successivamente inclinare la maniglia dell'utensile verso sinistra premendo contemporaneamente le due leve. Fissare la base con le viti di serraggio.

NOTA:

- Riportando la lama all'angolazione consueta, la leva di regolazione ritorna automaticamente nella posizione 0°.

Allineamento (Fig. 14)

Utilizzo dell'utensile senza binario guida (accessori)

Per tagli dritti, allineare la linea di taglio con la posizione A sulla parte frontale della base. Per tagli obliqui a 45°, allineare la linea di taglio alla posizione B.

Utilizzo dell'utensile con binario guida (accessori)

Per tagli dritti e obliqui a 45°, allineare sempre la linea di taglio con la posizione A sulla parte frontale della base.

Azionamento dell'interruttore (Fig. 15)

ATTENZIONE:

- Prima di collegare l'utensile, controllare se l'interruttore funziona correttamente e ritorna alla posizione "OFF" una volta rilasciato.

La sicura previene l'azionamento involontario dell'interruttore di accensione. Per accendere l'utensile spingere la sicura e premere l'interruttore di accensione. Per spegnere l'utensile, rilasciare l'interruttore.

Manopola di regolazione della velocità (Fig. 16)

Per regolare la velocità dell'utensile ruotare la manopola di regolazione. La velocità più alta si ottiene girando la manopola nella direzione del numero 6; la velocità più bassa si ottiene girando la manopola nella direzione del numero 1.

Consultare la tabella per selezionare la velocità corretta per il pezzo da tagliare. Tuttavia, la velocità appropriata dipende anche dal tipo e dallo spessore del pezzo in lavorazione. In genere, velocità superiori consentono un taglio più rapido dei pezzi, ma riducono la durata di servizio della lama.

| Numero | min ⁻¹ |
|--------|-------------------|
| 1 | 2.200 |
| 2 | 2.700 |
| 3 | 3.800 |
| 4 | 4.900 |
| 5 | 6.000 |
| 6 | 6.400 |

015770

ATTENZIONE:

- La manopola di regolazione della velocità può essere girata soltanto fino a 6 o indietro fino a 1. Non forzarla oltre 6 o 1, altrimenti potrebbe non funzionare più correttamente.
- La manopola di regolazione della velocità non è progettata per l'uso di lame a bassa velocità, ma per il raggiungimento di una velocità adatta al materiale del pezzo in lavorazione. Utilizzare solo lame adatte almeno alla velocità a vuoto massima indicata nelle CARATTERISTICHE TECNICHE.

Gli utensili dotati di funzione elettronica sono di facile utilizzo grazie alle seguenti caratteristiche.

Protezione sovraccarico

Quando l'utensile è sovraccarico e la corrente supera un determinato livello, l'utensile si arresta automaticamente per proteggere il motore.

Controllo costante della velocità

Il controllo elettronico della velocità permette di ottenere una velocità costante. Consente finiture precise grazie alla costanza della velocità di rotazione anche in condizioni di carico.

Funzione di avvio morbido

L'avvio morbido permette di rimuovere colpi e scosse iniziali.

MONTAGGIO

ATTENZIONE:

- Accertarsi sempre che l'utensile sia spento e scollegato dalla presa di corrente prima di iniziare qualsiasi operazione su di esso.

Allungamento della chiave esagonale (Fig. 17)

La chiave esagonale è conservata sull'utensile. Per rimuovere la chiave esagonale è sufficiente estrarla.

Per installare la chiave esagonale, collocarla sull'impugnatura e inserirla fino all'arresto.

Installazione o rimozione della lama della sega

ATTENZIONE:

- Non utilizzare lame che non risultano conformi alle caratteristiche specificate in queste istruzioni.
- Utilizzare solo lame adatte almeno alla velocità a vuoto massima indicata nelle CARATTERISTICHE TECNICHE.
- Assicurarsi che la lama sia installata in modo che i denti siano rivolti verso la parte frontale dell'utensile.
- Per installare o rimuovere la lama utilizzare solo la chiave fornita da Makita.

Per rimuovere la lama, premere la sicura per sbloccare il fermo di limite superiore. (Fig. 18)

Ruotare la leva di blocco per bloccare la testa della sega e sostituire la lama. (Fig. 19)

Dopo aver rilasciato la sicura e ruotato la leva di blocco, abbassare la maniglia in modo che il perno di blocco si inserisca nella scanalatura formata dalla leva di blocco e dalla guida di profondità con targhetta di misurazione.

Accertarsi che il perno di blocco sia inserito nella scanalatura.

Premere a fondo il blocco dell'albero in modo che la lama non possa ruotare e utilizzare la chiave per allentare il bullone esagonale in senso antiorario. Rimuovere il bullone esagonale, la flangia esterna e la lama. (Fig. 20)

Per installare la lama, attenersi alla procedura di installazione procedendo in senso inverso. **ACCERTARSI DI AVER FISSATO SALDAMENTE IL BULLONE ESAGONALE RUOTANDOLO IN SENSO ORARIO.** (Fig. 21)

Pulizia del coprilama

Quando si sostituisce la lama della sega circolare, assicurarsi di pulire anche il coprilama dagli accumuli di segatura come descritto nella sezione Manutenzione. Queste operazioni di pulizia non sostituiscono la procedura di controllo del funzionamento del coprilama, che deve comunque essere eseguita prima di ogni utilizzo.

Collegamento di un aspiratore (Fig. 22)

Se si desidera eseguire tagli senza produrre polvere, collegare all'utensile un aspiratore Makita. Collegare quindi il tubo dell'aspiratore all'area di espulsione della polvere, come illustrato nella figura.

FUNZIONAMENTO

Taglio di profili (uso ordinario della sega) (Fig. 23)

ATTENZIONE:

- Accertarsi di spostare in avanti l'utensile procedendo in linea retta con regolarità e senza esercitare una pressione eccessiva. Se si forza o si sposta dalla linea di taglio l'utensile, il motore può surriscaldarsi e si possono verificare pericolosi contraccolpi che possono determinare lesioni personali gravi.
- Non avvicinare mai le parti del corpo all'area inferiore della base dell'utensile durante il taglio di profili, in

particolare modo all'inizio. Diversamente, è possibile provocare lesioni personali gravi. La lama è esposta nella parte inferiore della base dell'utensile.

Tenere l'utensile saldamente. L'utensile viene fornito con un'impugnatura frontale e una maniglia posteriore.

Utilizzarle entrambe per garantire la presa più sicura. Se entrambe le mani vengono utilizzate per tenere la sega, non potranno essere colpite dalla lama. Collocare la parte anteriore della base sul pezzo in lavorazione senza che la lama entri in contatto con il materiale da tagliare. Premere la sicura, accendere l'utensile e attendere che la lama raggiunga la massima velocità. Premere lentamente la testa della sega fino alla profondità di taglio definita, quindi far avanzare l'utensile sulla superficie del pezzo in lavorazione, procedendo in piano e con regolarità fino al completamento del taglio.

Per ottenere tagli netti e accurati, avanzare in linea retta e con velocità costante. Se durante il taglio si devia dalla linea prevista, evitare di ruotare o forzare l'utensile in modo da ritornare sulla linea di taglio, perché la lama potrebbe bloccarsi e provocare pericolosi contraccolpi e lesioni personali. Rilasciare l'interruttore, attendere che la lama si arresti e quindi rimuovere l'utensile. Riallineare l'utensile con la nuova linea di taglio e riprendere la lavorazione. Evitare le posizioni che espongono l'operatore ai trucioli e alla polvere espulsi dalla sega. Per una maggiore sicurezza, indossare una protezione per gli occhi.

Utilizzo del binario guida (accessori) (Fig. 24 e 25)

Posizionare l'utensile all'estremità posteriore del binario guida. Ruotare due viti di regolazione sulla base dell'utensile, in modo che l'utensile scorra senza produrre rumori. Tenere l'utensile in modo saldo. L'utensile viene fornito con un'impugnatura frontale e una maniglia posteriore. Utilizzarle entrambe per garantire la presa più sicura. Accendere l'utensile, premerlo secondo la profondità di taglio definita e tagliare il paraschegge per l'intera lunghezza, con un'unica operazione. Il margine del paraschegge corrisponde al margine di taglio. Per il taglio obliquo con binario guida, far scorrere la leva di regolazione sulla base dell'utensile in modo che l'utensile non cada lateralmente.

Spostare la leva di regolazione sulla base dell'utensile nella direzione della freccia, in modo che venga ingranato nella scanalatura di taglio laterale del binario guida.

Guida di taglio (regolo guida) (Accessorio opzionale) (Fig. 26)

La pratica guida di taglio consente di realizzare tagli dritti accuratissimi. Far scorrere la guida di taglio mantenendola aderente a un lato del pezzo in lavorazione e fissarla in posizione con le viti sulle parti anteriore e posteriore della base. La guida consente inoltre di realizzare tagli ripetuti mantenendo uniforme la larghezza del taglio.

Una rotazione eccessiva della guida di taglio (regolo guida) ne consente l'uso come base secondaria per l'utensile.

Taglio a immersione (esclusione) (Fig. 27)

AVVERTENZA:

- Per evitare contraccolpi, osservare le seguenti istruzioni.

Utilizzo dell'utensile senza binario guida

Posizionare l'utensile sul pezzo in lavorazione, con il margine posteriore della base dell'utensile in prossimità di un arresto fisso o equivalente, concepito dall'operatore.

Utilizzo dell'utensile con binario guida

Posizionare l'utensile sul binario guida, con il margine posteriore della base dell'utensile in prossimità di un arresto fisso o equivalente, bloccato sul binario guida. Tenere saldamente l'utensile con una mano sull'impugnatura anteriore e l'altra mano sulla maniglia dell'utensile. Premere la sicura, accendere l'utensile e attendere che la lama raggiunga la massima velocità. Premere lentamente la testa della sega fino alla profondità di taglio definita, quindi far avanzare l'utensile verso la posizione di taglio a immersione desiderata.

NOTA:

- I contrassegni a lato del coprilama indicano i punti di taglio anteriore e posteriore della lama (A per diametro 160 mm, B per diametro 165 mm) alla massima profondità di taglio e con uso del binario guida. (Fig. 28)

Dispositivo guida (accessori)

Utilizzare la guida per agnatura (accessori) per effettuare agnatura con angoli e opere di adattamento. L'utilizzo della brida (accessori) garantisce un blocco saldo del pezzo in lavorazione sul banco.

MANUTENZIONE

ATTENZIONE:

- Prima di effettuare controlli e operazioni di manutenzione, verificare sempre che l'utensile sia spento e scollegato.
- **Pulire il coprilama per assicurarsi che non siano presenti accumuli di segatura che potrebbero impedire il funzionamento del sistema di protezione.** Un sistema di protezione sporco potrebbe influire sul corretto funzionamento, causando gravi danni alla persona. Il modo più efficace per eseguire la pulizia è quello di utilizzare aria compressa. **Se la polvere viene soffiata fuori dal coprilama, assicurarsi di utilizzare un'adeguata protezione per gli occhi e le vie respiratorie.**
- Evitare assolutamente di usare benzina, diluenti, solventi, alcol o sostanze simili. In caso contrario, potrebbero verificarsi scoloriture, deformazioni o incrinature.

Regolazione dell'impostazione di taglio a 90° e 45° (taglio verticale e a 45°) (Fig. 29 e 30)

Questa regolazione è preimpostata dal produttore. In caso fosse necessario correggerla, mettere a punto l'impostazione con le viti di regolazione utilizzando una chiave esagonale e controllando che la lama formi un angolo di 90° o 45° con la base mediante una squadra triangolare oppure ad angolo retto.

NOTA:

- La regolazione dell'accuratezza di taglio a 22,5°, 48° e -1° non può essere effettuata.

Sostituzione delle spazzole di carbone (Fig. 31 e 32)

Rimuovere e controllare periodicamente le spazzole di carbone.

Sostituire le spazzole quando sono consumate fino all'indicatore di limite. Mantenere le spazzole di carbone pulite e libere di scorrere nei supporti. Entrambe le spazzole di carbone devono essere sostituite contemporaneamente. Utilizzare solo spazzole di carbone dello stesso tipo. Rimuovere i coperchi dei portaspazzola con un cacciavite. Estrarre le spazzole di carbone consumate, inserire le nuove spazzole e fissare le protezioni dei portaspazzola. Per garantire la SICUREZZA e l'AFFIDABILITÀ del prodotto, le riparazioni e qualsiasi altra operazione di manutenzione o regolazione devono essere eseguite dai centri di assistenza autorizzati Makita utilizzando sempre parti di ricambio Makita.

ACCESSORI OPZIONALI

⚠ ATTENZIONE:

- Si consiglia l'uso dei seguenti accessori per l'utensile Makita descritto in questo manuale. L'uso di qualsiasi altro accessorio potrebbe provocare lesioni personali. Utilizzare gli accessori esclusivamente per l'uso dichiarato.

Per l'assistenza e per ulteriori informazioni su tali accessori, rivolgersi al centro assistenza Makita di zona.

- Lama della sega
- Binario guida
- Guida di taglio (regolo guida)
- Guida per agnatura
- Morsetto
- Chiave esagonale
- Set lamine per binario guida
- Set lamine in gomma per binario guida
- Set lamine di posizione per binario guida

NOTA:

- Alcuni degli accessori elencati potrebbero essere inclusi nella confezione dell'utensile come accessori standard. Gli accessori standard possono differire da paese a paese.

Rumore

ENG905-1

Il tipico livello di rumore ponderato A è determinato in conformità con la norma EN62841-2-5:

Livello di pressione sonora (L_{pA}): 95 dB (A)

Livello di potenza sonora (L_{WA}): 103 dB (A)

Variazione (K): 3 dB (A)

ENG907-1

- Il valore o i valori dichiarati delle emissioni di rumori sono stati misurati in conformità a un metodo standard di verifica, e possono essere utilizzati per confrontare un utensile con un altro.
- Il valore o i valori dichiarati delle emissioni di rumori possono venire utilizzati anche per una valutazione preliminare dell'esposizione.

⚠ AVVERTENZA:

- **Indossare protezioni per le orecchie.**
- **L'emissione di rumori durante l'utilizzo effettivo dell'utensile elettrico può variare rispetto al valore o ai valori dichiarati, a seconda dei modi in cui viene utilizzato l'utensile e specialmente a seconda di che tipo di pezzo venga lavorato.**
- **Accertarsi di identificare misure di sicurezza per la protezione dell'operatore che siano basate su una stima dell'esposizione nelle condizioni effettive di utilizzo (tenendo conto di tutte le parti del ciclo operativo, ad esempio del numero di spegnimenti dell'utensile e di quando giri a vuoto, oltre al tempo di attivazione).**

Vibrazione

ENG900-1

Il valore totale della vibrazione (somma vettoriale triassiale) è determinato in conformità con la norma EN62841-2-5:

Modalità di lavoro: taglio del legno

Emissione delle vibrazioni ($a_{h,w}$): 2,5 m/s² o inferiore

Variazione (K): 1,5 m/s²

Modalità di lavoro: taglio di metalli

Emissione delle vibrazioni ($a_{h,m}$): 2,5 m/s² o inferiore

Variazione (K): 1,5 m/s²

ENG901-2

- Il valore o i valori complessivi delle vibrazioni dichiarati sono stati misurati in conformità a un metodo standard di verifica, e possono essere utilizzati per confrontare un utensile con un altro.
- Il valore o i valori complessivi delle vibrazioni dichiarati possono venire utilizzati anche per una valutazione preliminare dell'esposizione.

⚠ AVVERTENZA:

- **L'emissione delle vibrazioni durante l'utilizzo effettivo dell'utensile elettrico può variare rispetto al valore o ai valori dichiarati, a seconda dei modi in cui viene utilizzato l'utensile, specialmente a seconda di che tipo di pezzo venga lavorato.**
- **Accertarsi di identificare misure di sicurezza per la protezione dell'operatore che siano basate su una stima dell'esposizione nelle condizioni effettive di utilizzo (tenendo conto di tutte le parti del ciclo operativo, ad esempio del numero di spegnimenti dell'utensile e di quando giri a vuoto, oltre al tempo di attivazione).**

Dichiarazioni di conformità

Solo per i paesi europei

Le Dichiarazioni di conformità sono incluse nell'Allegato A al presente manuale d'uso.

NEDERLANDS (Originele instructies)

Verklaring van algemene gegevens

| | | |
|------------------------------|------------------------|-------------------------------|
| 1. Klembout | 12. Aan/uit-schakelaar | 23. Stelschroeven |
| 2. Zaagdieptebegrenzer | 13. Snelheidsregelaar | 24. Schuifhendel |
| 3. Snelstopknop | 14. Inbussleutel | 25. Breedtegeleider (liniaal) |
| 4. Klemschroeven | 15. Vergrendelhendel | 26. Achterrand van zoolplaat |
| 5. Zoolplaat | 16. Asvergrendeling | 27. Vergrendelde stand |
| 6. Positieve stop | 17. Zeskantbout | 28. Stelschroef voor 90° |
| 7. Hendel | 18. Buitenflens | 29. Stelschroef voor 45° |
| 8. Verstelhendel verstekhoek | 19. Zaagblad | 30. Slijtgrensmarkering |
| 9. Zool | 20. Binnenflens | 31. Schroevendraaier |
| 10. Zaaglijn | 21. Stofzuiger | 32. Koolborsteldop |
| 11. Uit-vergrendelknop | 22. Stofmond | |

TECHNISCHE GEGEVENS

| | | |
|---------------------------------------|---------|---------------|
| Model | | SP6000 |
| Diameter zaagblad | | 165 mm |
| Max. zaagdiepte | bij 90° | 56 mm |
| | bij 45° | 40 mm |
| | bij 48° | 38 mm |
| Nullasttoerental (min ⁻¹) | | 2.200 - 6.400 |
| Totale lengte | | 341 mm |
| Nettogewicht | | 4,1 kg |
| Veiligheidsklasse | | □/II |

- Als gevolg van ons doorlopende onderzoeks- en ontwikkelingsprogramma, zijn de technische gegevens van dit gereedschap onderhevig aan veranderingen zonder voorafgaande kennisgeving.
- De technische gegevens kunnen van land tot land verschillen.
- Het gewicht kan verschillen afhankelijk van het/de hulpstuk(ken). De lichtste en zwaarste combinatie, volgens EPTA-Procedure 01/2014, worden vermeld in de tabel.

Toepassingsmogelijkheden

ENE067-2

Dit gereedschap is speciaal bedoeld voor blindzagen. Het gereedschap is tevens bedoeld voor schulpen en afkorten van hout. Als het gereedschap is uitgerust met het juiste cirkelzaagblad, kan het gereedschap worden gebruikt voor het zagen van aluminium platen, kunststof platen, boeiboorden, en metalen wandpanelen.

Voeding

ENF002-2

Het gereedschap mag uitsluitend worden aangesloten op een voeding met dezelfde spanning als aangegeven op het typeplaatje en werkt alleen op enkele-fase wisselstroom. Het gereedschap is dubbel geïsoleerd en mag derhalve ook op een niet-geaard stopcontact worden aangesloten.

Algemene

GEA010-2

⚠ WAARSCHUWING: Lees alle veiligheidswaarschuwingen, aanwijzingen, afbeeldingen en technische gegevens behorend bij dit elektrische gereedschap aandachtig door. Als u niet alle onderstaande aanwijzingen naleeft, kan dat resulteren in brand, elektrische schokken en/of ernstig letsel.

Bewaar alle waarschuwingen en instructies om in de toekomst te kunnen raadplegen.

De term "elektrisch gereedschap" in de veiligheidsvoorschriften duidt op gereedschappen die op stroom van het lichtnet werken (met snoer) of gereedschappen met een accu (snoerloos).

VEILIGHEIDSWAARSCHUWINGE N VOOR EEN CIRKELZAAG

GEB144-3

Zaagmethoden

1. **⚠ GEVAAR: Houd uw handen uit de buurt van het zaaggebied en het zaagblad. Houd met uw andere hand de voorhandgreep of de behuizing van het gereedschap vast.** Als u de cirkelzaag met beide handen vasthoudt, kunt u nooit in uw handen zagen.
2. **Reik nooit met uw handen onder het werkstuk.** De beschermkap kan u niet beschermen tegen het zaagblad onder het werkstuk.
3. **Stel de zaagdiepte in overeenkomstig de dikte van het werkstuk.** Minder dan een volledige tandhoogte dient onder het werkstuk uit te komen.
4. **Houd het werkstuk tijdens het zagen nooit vast met uw handen of benen. Zorg dat het werkstuk stabiel is ten opzichte van de ondergrond.** Het is

belangrijk het werkstuk goed te ondersteunen om de kans te minimaliseren dat uw lichaam eraan blootgesteld wordt, het zaagblad vastloopt of u de controle over het gereedschap verliest (zie afb. 1).

5. **Houd het elektrisch gereedschap vast aan het geïsoleerde oppervlak van de handgrepen wanneer u werkt op plaatsen waar het snij- of zaaggarntuur met verborgen bedrading of zijn eigen snoer in aanraking kan komen.** Door aanraking van onder spanning staande draden, zullen de niet-geïsoleerde metalen delen van het gereedschap onder spanning komen te staan zodat de gebruiker een elektrische schok kan krijgen.
6. **Gebruik bij het schulpen altijd de breedtegeleider of de langsgeleider.** Hierdoor wordt de nauwkeurigheid van het zagen vergroot en de kans op vastlopen van het zaagblad verkleint.
7. **Gebruik altijd zaagbladen met doorgaten van de juiste afmetingen en vorm (diamant versus rond).** Zaagbladen die niet goed passen op de bevestigingsmiddelen van de cirkelzaag, zullen excentrisch draaien waardoor u de controle over het gereedschap verliest.
8. **Gebruik nooit een beschadigde of verkeerde bouten en ringen om het zaagblad mee te bevestigen.** De bouten en ringen voor de bevestiging van het zaagblad zijn speciaal ontworpen voor gebruik met uw cirkelzaag voor optimale prestaties en veilig gebruik.

Oorzaken van terugslag en aanverwante waarschuwingen

- Terugslag is een plotselinge reactie op een bekneld, vastgelopen of niet-uitgelijnd zaagblad, waardoor de oncontroleerbare cirkelzaag omhoog, uit het werkstuk en in de richting van de gebruiker gaat.
- Wanneer het zaagblad bekneld raakt of vastloopt doordat de zaagsnede naar beneden toe smaller wordt, vertraagt het zaagblad en komt als reactie de motor snel omhoog in de richting van de gebruiker.
- Als het zaagblad gebogen of niet-uitgelijnd raakt in de zaagsnede, kunnen de tanden aan de achterrand van het zaagblad zich in het bovenoppervlak van het hout vreten, waardoor het zaagblad uit de zaagsnede klimt en omhoog springt in de richting van de gebruiker.

Terugslag is het gevolg van misbruik van de cirkelzaag en/of onjuiste gebruiksprocedures of -omstandigheden, en kan worden voorkomen door goede

voorzorgsmaatregelen te treffen, zoals hieronder vermeld:

1. **Houd de cirkelzaag stevig vast met beide handen en houdt uw armen zodanig dat een terugslag wordt opgevangen.** Plaats uw lichaam zijwaarts versprongen van het zaagblad en niet in een rechte lijn erachter. Door terugslag kan de cirkelzaag achterwaarts springen, maar de kracht van de terugslag kan met de juiste voorzorgsmaatregelen door de gebruiker worden opgevangen.
2. **Wanneer het zaagblad vastloopt, of wanneer u om een of andere reden het zagen onderbreekt, laat u de aan-uitschakelaar los en houdt u de cirkelzaag stil in het materiaal totdat het zaagblad volledig tot stilstand is gekomen.** Probeer nooit het zaagblad uit het werkstuk te halen of de cirkelzaag naar achteren te trekken, terwijl het zaagblad nog draait omdat hierdoor een terugslag kan optreden.

Onderzoek waarom het zaagblad is vastgelopen en tref afdoende maatregelen om de oorzaak ervan op te heffen.

3. **Wanneer u de cirkelzaag weer inschakelt terwijl het zaagblad in het werkstuk zit, plaatst u het zaagblad in het midden van de zaagsnede zodat de tanden niet in het materiaal grijpen.** Als het zaagblad vastloopt, kan wanneer de cirkelzaag wordt ingeschakeld het zaagblad uit het werkstuk lopen of terugslaan.
4. **Ondersteun grote platen om de kans te minimaliseren dat het zaagblad bekneld raakt of terugslaat.** Grote panelen neigen door te zakken onder hun eigen gewicht. U moet de plaat ondersteunen aan beide zijranden, vlakbij de zaaglijn en vlakbij het uiteinde (zie afb. 2 en 3).
5. **Gebruik een bot of beschadigd zaagblad niet meer.** Niet-geslepen of verkeerd gezette tanden maken een smalle zaagsnede wat leidt tot grote wrijving, vastlopen en terugslag.
6. **De vergrendelhendels voor het instellen van de zaagbladdiepte en verstekhoek moeten vastzitten alvorens te beginnen met het zagen.** Als de instellingen van het zaagblad zich tijdens het zagen wijzigen, kan dit leiden tot vastlopen of terugslag.
7. **Wees extra voorzichtig wanneer u in een bestaande wand zaagt of op een andere plaats waarvan u de onderkant van het zaagoppervlak niet kunt zien.** Wanneer het zaagblad door het materiaal heen breekt, kan het een voorwerp raken waardoor een terugslag optreedt.
8. **Houd het gereedschap ALTIJD met beide handen stevig vast. Plaats NOOIT een hand, been of een ander lichaamsdeel onder de zool van het gereedschap of achter de cirkelzaag, met name tijdens het afkorten.** Als een terugslag optreedt, kan het zaagblad gemakkelijk achteruit en over uw hand springen waardoor ernstig persoonlijk letsel ontstaat (zie afb. 4).
9. **Dwing de zaag nooit. Duw de cirkelzaag vooruit met een snelheid waarbij het zaagblad niet vertraagt.** Als u het zaagblad dwingt, kan dat leiden tot een ongelijkmatige zaagsnede, verminderde nauwkeurigheid en mogelijke terugslag.

Bescherming

1. **Controleer voor ieder gebruik of de beschermkap goed sluit. Gebruik de zaag niet als de beschermkap niet vrij kan bewegen en het zaagblad niet volledig omsluit.** Klem of bind de beschermkap nooit vast zodat het zaagblad bloot ligt. Als u de cirkelzaag per ongeluk laat vallen, kan de beschermkap worden verbogen. Controleer of de beschermkap vrij kan bewegen en bij geen enkele zaaghoek en zaagdiepte in aanraking komt met andere onderdelen.
2. **Controleer de werking en toestand van de trekveer van de beschermkap. Als de beschermkap en de veer niet goed werken, dienen deze te worden gerepareerd voordat de cirkelzaag wordt gebruikt.** De beschermkap kan traag werken als gevolg van beschadigde onderdelen, gom- of harsafzetting, of opeenhoping van vuil.

3. **Zorg ervoor dat de zoolplaat van de zaag bij invalzen niet verschuift.** Zijwaarts verschuiven van het zaagblad veroorzaakt vastlopen en waarschijnlijk terugslag.
4. **Let er altijd op dat de beschermkap het zaagblad bedekt voordat u de cirkelzaag op een werkbank of vloer plaatst.** Een onbeschermd zaagblad dat nog nadraait, zal de cirkelzaag achteruit doen lopen waarbij alles op zijn weg wordt gezaagd. Denk eraan dat nadat de cirkelzaag is uitgeschakeld het nog enige tijd duurt voordat het zaagblad stilstaat.

Aanvullende veiligheidsaanswijzingen

1. **Wees extra voorzichtig bij het zagen in nat hout, druk-behandeld timmerhout en hout met knoesten.** Zorg ervoor dat het gereedschap soepel vooruit blijft gaan zonder dat de snelheid van het zaagblad lager wordt om te voorkomen dat de punten van het zaagblad oververhit raken en om bij het zagen van kunststof te voorkomen dat het kunststof smelt.
2. **Probeer niet afgezaagd materiaal te verwijderen terwijl het zaagblad nog draait. Wacht totdat het zaagblad volledig tot stilstand is gekomen voordat u het afgezaagde materiaal vastpakt.** De messenbladen bewegen nog na nadat het gereedschap is uitgeschakeld.
3. **Voorkom dat u in spijkers schaaft. Inspecteer het hout op spijkers en verwijder deze zo nodig voordat u begint te zagen.**
4. **Plaats het bredere deel van de zool van de cirkelzaag op het deel van het werkstuk dat goed is ondersteund, en niet op het deel dat omlaag valt nadat de zaagsnede gemaakt is. Als het werkstuk kort of smal is, klemt u het vast. PROBEER NOOIT EEN KORT WERKSTUK IN UW HANDEN VAST TE HOUDEN! (zie afb. 5)**
5. **Voordat u het gereedschap neerlegt na het voltooiën van een zaagsnede, controleert u dat de beschermkap gesloten is en het zaagblad volledig tot stilstand is gekomen.**
6. **Probeer nooit te zagen waarbij de cirkelzaag ondersteboven in een bankschroef is geklemd. Dit is uiterst gevaarlijk en kan leiden tot ernstig persoonlijk letsel (zie afb. 6).**
7. **Sommige materialen bevatten chemische stoffen die giftig kunnen zijn. Neem voorzorgsmaatregelen tegen het inademen van stof en contact met de huid. Volg de veiligheidsinstructies van de leverancier van het materiaal op.**
8. **Breng het zaagblad niet tot stilstand door zijdelings op het zaagblad te drukken.**
9. **Gebruik geen slijpschijven.**
10. **Gebruik uitsluitend een zaagblad met een diameter die is aangegeven op het gereedschap of vermeld in de gebruiksaanwijzing.** Het gebruik van een zaagblad met een verkeerde afmeting kan de goede bescherming van het zaagblad of de werking van de beschermkap negatief beïnvloeden waardoor ernstig persoonlijk letsel kan ontstaan.
11. **Houd het zaagblad scherp en schoon.** Gom of hars dat op het zaagblad is opgedroogd vertraagt het zaagblad en verhoogt de kans op terugslag. Houd het zaagblad schoon door dit eerst van het gereedschap te demonteren en het vervolgens schoon te maken

- met een reinigingsmiddel voor gom en hars, heet water of kerosine. Gebruik nooit benzine.
12. **Draag een stofmasker en gehoorbescherming tijdens gebruik van het gereedschap.**
 13. **Gebruik altijd een zaagblad dat bedoeld is voor het materiaal dat u van plan bent te gaan zagen.**
 14. **Gebruik uitsluitend zaagbladen die zijn gemarkerd met een maximumtoerental dat gelijk is aan of hoger is dan het toerental aangegeven op het gereedschap.**
 15. **(Alleen voor Europese landen)**
Gebruik altijd een zaagblad dat voldoet aan EN847-1.

BEWAAR DEZE INSTRUCTIES.

⚠ WAARSCHUWING: Laat u NIET misleiden door een vals gevoel van comfort en bekendheid met het gereedschap (na veelvuldig gebruik) en neem alle veiligheidsvoorschriften van het betreffende product altijd strikt in acht. VERKEERD GEBRUIK of het niet volgen van de veiligheidsinstructies in deze gebruiksaanwijzing kan leiden tot ernstig persoonlijk letsel.

BESCHRIJVING VAN DE FUNCTIES

LET OP:

- Zorg er altijd voor dat het gereedschap is uitgeschakeld en de stekker uit het stopcontact is getrokken voordat u de werking of de afstelling van het gereedschap controleert.

Zaagdiepte instellen (zie afb. 7)

LET OP:

- Zet de klemschroef altijd stevig vast nadat u de zaagdiepte hebt ingesteld.

Draai de klemschroef op de dieptegeleider los en plaats de zaagdieptebe grenzer op de gewenste positie op de instelschaal. Draai de klemschroef op de gewenste zaagdiepte stevig vast.

Voor een schone veilige zaagsnede stelt u de zaagdiepte zó in dat maximaal één tandhoogte onder het werkstuk uitsteekt. Door de zaagdiepte goed in te stellen verkleint u de kans op een gevaarlijke TERUGSLAG met het risico van persoonlijk letsel.

OPMERKING:

- U stelt de zaagdiepte ruw in door de zaagdieptebe grenzer op de gewenste diepte op de instelschaal in te stellen.
Voor een nauwkeurige instelling van de zaagdiepte moet u het werkelijke uitsteeklengte van het zaagblad onder de zoolplaat meten.

Snelstopknop voor 2 tot 3 mm zaagdiepte bij gebruikmaking van een geleiderail (optie) (zie afb. 8 en 9)

Bij dit gereedschap zit de snelstopknop voor 2 tot 3 mm zaagdiepte op het tandwielhuis naast de achterhandgreep bij gebruikmaking van een geleiderail. Deze wordt gebruikt om splinters op het werkstuk in de zaagsnede te

voorkomen. Zaag de eerste gang van 2 tot 3 mm diepte en vervolgens een gang op de gebruikelijke diepte. Om de 2 tot 3 mm zaagdiepte in te stellen drukt u de stopknop in de richting van het zaagblad in. Hierdoor voorkomt u dat zaagsplinters op het werkstuk vallen. Trek de knop terug om de zaagdiepte vanuit deze stand naar de vrije zaagdiepte terug te zetten.

Verstekzagen (zie afb. 10)

Naar rechts kantelen (zie afb. 11 en 12)

Draai de positieve stop zodat de pijl daarop een van twee standen aanwijst (verticaal voor 22,5°, horizontaal voor 45°). Draai de klemschroeven aan de voor- en achterzijde los. Kantel vervolgens de zool van het gereedschap totdat deze stopt en zet de zool met de klemschroeven vast. Om een verstekhoek van 48° in te stellen, beweegt u de keuzehendel zo ver mogelijk naar de 48°-markering. Draai de positieve stop zodat de pijl erop de horizontale stand aanwijst. Kantel vervolgens de zool van het gereedschap totdat deze stopt en zet de zool met de klemschroeven vast.

Naar links kantelen (zie afb. 13)

Het gereedschap kan naar de linker 1°-verstekhoek worden gekanteld. Om de linker verstekhoek van 1° in te stellen, draait u de klemschroeven aan de voor- en de achterzijde los, kantelt u de handgreep iets naar rechts en duwt u de twee verstelhendels voor de verstekhoek tegelijkertijd in de richting van de pijl waarop een markering van -1 is aangebracht. Kantel vervolgens de handgreep naar links terwijl u tegelijkertijd tegen deze twee hendels duwt. Zet de zool met de klemschroeven vast.

OPMERKING:

- Bij het terugzetten het zaagblad naar haakse stand keert de verstelhendel vanzelf naar 0° terug.

Zichtlijn (zie afb. 14)

Bij gebruik van de cirkelzaag zonder geleiderail (optie)

Voor recht zagen lijnt u de stand A op de voorkant van de zool uit met de zaaglijn. Voor verstekzagen onder een hoek van 45°, gebruikt u hiervoor stand B.

Bij gebruik van de cirkelzaag met geleiderail (optie)

Voor recht en verstekzagen onder een hoek van 45° moet u de stand A op de voorkant van de zool altijd uitlijnen met de zaaglijn.

Aan/uit-schakelaar (zie afb. 15)

LET OP:

- Controleer altijd voordat u de stekker in het stopcontact steekt of de aan/uit-schakelaar van de cirkelzaag goed werkt en terugkeert naar de uit-stand als u hem loslaat. Om te voorkomen dat de aan/uit-schakelaar per ongeluk wordt bediend, is een uit-vergrendelknop aangebracht. Om de cirkelzaag te starten, drukt u de vergrendelknop in en haalt u de aan/uit-schakelaar aan. Laat de aan/uit-schakelaar los om de cirkelzaag te stoppen

Snelheidsregelaar (zie afb. 16)

De snelheid van het gereedschap kan worden ingesteld door de snelheidsregelaar te draaien. Als u de

snelheidsregelaar in de richting van stand 6 draait, wordt de snelheid van het gereedschap hoger. Als u hem in de richting van stand 1 draait, wordt de snelheid lager. Zie de tabel om de juiste snelheid te kiezen voor het werkstuk dat u wilt zagen. De juiste snelheid is echter ook afhankelijk van de soort en de dikte van het werkstuk. In het algemeen kunt u werkstukken met hogere snelheden sneller zagen maar loopt de levensduur van het zaagblad terug.

| Nummer | min ⁻¹ |
|--------|-------------------|
| 1 | 2.200 |
| 2 | 2.700 |
| 3 | 3.800 |
| 4 | 4.900 |
| 5 | 6.000 |
| 6 | 6.400 |

015770

LET OP:

- U kunt de snelheidsregelaar alleen tot aan het cijfer 6 draaien en terug naar 1. Forceer de schijf niet voorbij de 6 of de 1 omdat de snelheidsregeling daardoor onklaar raakt.
- De snelheidsregelaar is niet geschikt voor het gebruik van lagesnelheidszaagbladen maar voor het instellen van een snelheid die geschikt is voor het materiaal van het werkstuk. Gebruik uitsluitend zaagbladen die bedoeld zijn voor snelheden van ten minste het maximale nullasttoerental, zoals vermeld in de TECHNISCHE GEGEVENS.

De gereedschappen met elektronische aansturing zijn dankzij de volgende eigenschappen gemakkelijk te bedienen.

Overbelastingsbeveiliging

Als de cirkelzaag overbelast raakt en de stroomsterkte een bepaald niveau overschrijdt, stopt de cirkelzaag automatisch om de motor te beveiligen.

Constance-snelheidsregeling

Elektronische snelheidsregeling waardoor een constante snelheid wordt verkregen. Maakt een onberispelijke afwerking mogelijk omdat de draaisnelheid zelfs onder belasting constant blijft.

Zachte-startfunctie

Maakt een zachte start mogelijk door onderdrukking van de startschok.

ONDERDELEN AANBRENGEN/ VERWIJDEREN

LET OP:

- Controleer altijd of de cirkelzaag is uitgeschakeld en de stekker uit het stopcontact is getrokken voordat u werkzaamheden aan de cirkelzaag uitvoert.

Bergplaats voor inbussleutel (zie afb. 17)

Een inbussleutel wordt op de cirkelzaag bewaard. U kunt de inbussleutel voor gebruik eenvoudig naar buiten trekken.

Om de inbussleutel terug te plaatsen, zet u hem op de handgreep en drukt u hem zover mogelijk naar binnen.

Het zaagblad aanbrengen en verwijderen

LET OP:

- Gebruik geen zaagbladen die niet aan de in deze handleiding aangegeven vereisten voldoen.
- Gebruik uitsluitend zaagbladen die bedoeld zijn voor snelheden van ten minste het maximale nullasttoerental, zoals vermeld in de TECHNISCHE GEGEVENS.
- Let erop dat het zaagblad zó is gemonteerd dat de tanden aan de voorkant van het cirkelzaag omhoog wijzen.
- Gebruik uitsluitend de Makita inbusleutel voor het aanbrengen en verwijderen van het zaagblad.

Om het zaagblad te verwijderen, drukt u de vergrendelknop in om de bovenste zaagdieptebegrenzer te ontgrendelen. (zie afb. 18)

Draai aan de vergrendelhendel om de zaagkop voor het vervangen van het zaagblad te vergrendelen. (zie afb. 19)

Terwijl de uit-vergrendelknop is ingedrukt en de vergrendelhendel is ingeschakeld, drukt u de hendel zover naar beneden dat de sluitpen in de groef past die door de vergrendelhendel en de dieptegeleider met instelschaal wordt gevormd. Controleer of de sluitpen in de groef past. Druk de asvergrendeling volledig in zodat het zaagblad niet kan draaien en draai de inbusbout met de inbusleutel tegen de klok in los. Verwijder tenslotte de inbusbout, de buitenflens en het zaagblad. (zie afb. 20)

Om het zaagblad te monteren, volgt u de bovenstaande procedure in omgekeerde volgorde. ZORG ERVOOR DAT U DE INBUSBOUT RECHTSOM STEVIG VASTDRAAIT. (zie afb. 21)

De beschermkap reinigen

Wanneer het cirkelzaagblad wordt vervangen, reinigt u tegelijkertijd de beschermkap door het opgehoopte zaagsel te verwijderen, zoals beschreven in het hoofdstuk Onderhoud. Ondanks dergelijk onderhoud blijft het noodzakelijk de werking van de beschermkap vóór ieder gebruik te controleren.

Een stofzuiger aansluiten (zie afb. 22)

Wanneer u bij het zagen schoon wilt werken, sluit u een Makita stofzuiger op uw cirkelzaag aan. Verbind een zuigslang van de stofzuiger met de stofmond, zoals de bovenstaande afbeelding aangeeft.

BEDIENING

Afzagen (gewoon zagen) (zie afb. 23)

LET OP:

- Duw de cirkelzaag voorzichtig in een rechte lijn naar voren. Als u de cirkelzaag forceert of verdraait, raakt de motor oververhit en riskeert u terugslag waardoor u ernstig letsel kunt oplopen.
- Kom tijdens afzagen en zeker niet bij starten nooit met uw handen of andere lichaamsdelen onder de zoolplaat. Daardoor kunt u ernstig gewond raken. Het zaagblad steekt onder de zoolplaat uit.

Houd de cirkelzaag stevig vast. De cirkelzaag is zowel van een voorhandgreep als van een achterhandgreep voorzien. Gebruik beide handgrepen om de cirkelzaag zo goed mogelijk vast te houden. Als u de cirkelzaag met

beide handen vasthoudt, kunt u nooit in uw handen zagen. Plaats eerst de voorkant van de zool op het werkstuk dat u wilt zagen, zonder dat het zaagblad het werkstuk raakt. Vervolgens drukt u de uit-vergrendelknop in en schakelt u de cirkelzaag in waarbij u even wacht tot het zaagblad op volle snelheid komt. Nu drukt u de zaagkop langzaam tot de vooraf ingestelde zaagdiepte naar beneden en beweegt u de cirkelzaag ontspannen over het oppervlak van het werkstuk vooruit, waarbij u de zaag plat houdt en rustig vooruit beweegt totdat het zagen is voltooid.

Zorg voor een schone zaagsnede voor een rechte zaaglijn en een constante voortgaande snelheid. Als de zaagsnede niet volgens de voorgenomen zaaglijn loopt, probeer dan niet de zaag te draaien of geforceerd naar de zaaglijn terug te gaan. Hierdoor kan het zaagblad vastlopen en een gevaarlijke terugslag optreden met mogelijk ernstig persoonlijk letsel tot gevolg. Laat de aan/uit-schakelaar los, wacht tot het zaagblad tot stilstand is gekomen en trek vervolgens de cirkelzaag terug. Lijn de cirkelzaag op een nieuwe zaaglijn opnieuw uit en begin weer te zagen. Probeer te vermijden dat door de positie van het gereedschap de gebruiker wordt blootgesteld aan spaanders en stof dat door het gereedschap worden uitgeworpen. Gebruik oogbescherming om verwonding te voorkomen.

Gebruiken met geleiderail (optie) (zie afb. 24 en 25)

Plaats de cirkelzaag op de achterkant van de geleiderail. Draai aan de twee stelschroeven op de cirkelzaag zodat het cirkelzaag soepel zonder gerammel kan glijden. Houd de cirkelzaag stevig vast. De cirkelzaag is zowel van een voorhandgreep als van een achterhandgreep voorzien. Gebruik beide handgrepen om de cirkelzaag zo goed mogelijk vast te houden. Schakel de cirkelzaag in, druk de cirkelzaag tot de vooraf ingestelde zaagdiepte in en zaag de splinterbescherming in één keer over de volle lengte af. De rand van de splinterbescherming correspondeert met de punt van de messen.

Bij verstekzagen met de geleiderail moet u de schuifhendel op de zoolplaat zo verschuiven dat de cirkelzaag niet opzij valt.

Beweeg de schuifhendel op de zoolplaat in de richting van de pijl zodat hij in de ondersnijdingsgroef in de geleiderail valt.

Breedtegeleider (liniaal) (Los verkrijgbaar) (zie afb. 26)

Met de handige breedtegeleider kunt u extra nauwkeurig recht zagen. Schuif de breedtegeleider eenvoudig strak tegen de zijkant van het werkstuk en zet deze op zijn plaats vast met de schroeven op de voorkant en de achterkant van de zoolplaat. Zo kunt u meerdere werkstukken van gelijke breedte zagen.

Door de breedtegeleider (liniaal) om te draaien kunt u deze als onderzool voor de cirkelzaag gebruiken.

Instekzagen (uitzagen) (zie afb. 27)

WAARSCHUWING:

- Houd u aan de volgende aanwijzingen om terugslaan te voorkomen.

De cirkelzaag zonder geleiderail gebruiken

Plaats de cirkelzaag op het werkstuk met de achterrand van de zool tegen een vaste stop of iets dergelijks dat door een operator is ontworpen.

De cirkelzaag met geleiderail gebruiken

Plaats de cirkelzaag op de geleiderail met de achterrand van de zool tegen een vaste stop of iets dergelijks die op de geleiderail is geklemd.

Houd de cirkelzaag stevig vast met één hand op de voorhandgreep en de andere op de achterhandgreep. Vervolgens drukt u de uit-vergrendelknop in en schakelt u de cirkelzaag in waarbij u even wacht tot het zaagblad op volle snelheid komt. Druk nu de zaagkop langzaam tot de vooraf ingestelde zaagdiepte in en beweeg de cirkelzaag eenvoudig vooruit naar de gewenste insteekpositie.

OPMERKING:

- De markeringen op de zijkant van de beschermkap geven de inzaagpunten aan de voorzijde en de achterzijde van het zaagblad aan (A voor diameter 160 mm en B voor diameter 165 mm) bij de maximale zaagdiepte en met gebruikmaking van de geleiderail. (zie afb. 28)

Geleideapparaat (toebehoren)

Gebruik van de verstekaanslag (toebehoren) maakt nauwkeurig onder verstek zagen met hoeken en passingen mogelijk.

Door het gebruiken van de klem (toebehoren) wordt het werkstuk stevig op de tafel bevestigd.

ONDERHOUD

LET OP:

- Zorg er altijd voor dat de machine is uitgeschakeld en de stekker uit het stopcontact is getrokken, voordat u een inspectie of onderhoud uitvoert.
- **Reinig de beschermkap om er zeker van te zijn dat er geen opgehoopt zaagsel in zit dat de werking van het beschermkapmechanisme kan hinderen.** Een vuil beschermkapmechanisme kan de goede werking hinderen, waardoor ernstig persoonlijk letsel kan ontstaan. De meest effectieve manier om dit reinigen uit te voeren is met perslucht. **Als het vuil uit de beschermkap wordt geblazen, dient u geschikte oog- en ademhalingsbescherming te gebruiken.**
- Gebruik nooit benzine, wasbenzine, thinner, alcohol, enz. Dit kan leiden tot verkleuren, vervormen of barsten.

De nauwkeurigheid van de zaaghoeken 90° (verticaal) en 45° (verstek) instellen (zie afb. 29 en 30)

Deze instelling is al in de fabriek aangebracht. Maar als deze niet meer juist is, richt u de instelbouten met een inbussleutel terwijl u de zaaghoek van 90° of 45° tussen het zaagblad en de zool van het gereedschap met behulp van een winkelhaak, geodriehoek enzovoort controleert.

OPMERKING:

- Het is niet mogelijk de nauwkeurigheid van de hoeken 22,5°, 48° en -1° in te stellen.

Koolborstels vervangen (zie afb. 31 en 32)

Verwijder en inspecteer de koolborstels regelmatig.

Vervang ze wanneer ze tot aan de slijtgrensmarkering zijn afgesleten. Houd de koolborstels schoon en zorg ervoor dat ze vrij in de houders kunnen bewegen.

De beide koolborstels moeten tegelijkertijd worden vervangen. Gebruik alleen identieke koolborstels.

Draai de koolborsteldoppen met een schroevendraaier los.

Haal de versleten koolborstels eruit, plaats de nieuwe erin en draai de koolborsteldoppen vast.

Om de VEILIGHEID en BETROUWBAARHEID van de cirkelzaag te handhaven, moeten reparaties, onderhoud en afstellingen worden uitgevoerd door een erkend Makita-servicecentrum en altijd met gebruikmaking van originele Makita remplaceonderdelen.

VERKRIJGBARE ACCESSOIRES

⚠ LET OP:

- Deze accessoires of hulpstukken worden aanbevolen voor gebruik met het Makita-gereedschap dat in deze gebruiksaanwijzing wordt beschreven. Het gebruik van andere accessoires of hulpstukken kan gevaar voor persoonlijk letsel opleveren. Gebruik de accessoires of hulpstukken uitsluitend voor de aangegeven gebruikdoeleinden.

Mocht u meer informatie willen hebben over deze accessoires, dan kunt u contact opnemen met uw plaatselijke Makita-servicecentrum.

- Zaagbladen
- Geleiderail
- Breedtegeleider (liniaal)
- Verstekaanslag
- Klem
- Inbussleutel
- Vellenset voor geleiderail
- Rubbervellenset voor geleiderail
- Positievellenset voor geleiderail

OPMERKING:

- Sommige items op de lijst kunnen zijn inbegrepen in de doos van het gereedschap als standaard toebehoren. Zij kunnen van land tot land verschillen.

Geluid

ENG905-1

De typische, A-gewogen geluidsniveaus zijn gemeten volgens EN62841-2-5:

Geluidsdruk niveau (L_{pA}): 95 dB (A)

Geluidsvermogen niveau (L_{WA}): 103 dB (A)

Onzekerheid (K): 3 dB (A)

ENG907-1

- De opgegeven geluidsemisiewaarde(n) is/zijn gemeten volgens een standaardtestmethode en kan/kunnen worden gebruikt om dit gereedschap te vergelijken met andere gereedschappen.
- De opgegeven geluidsemisiewaarde(n) kan/kunnen ook worden gebruikt voor een beoordeling vooraf van de blootstelling.

⚠ WAARSCHUWING:

- **Draag gehoorbescherming.**
- **De geluidsemisie tijdens het gebruik van het elektrisch gereedschap in de praktijk kan verschillen van de opgegeven waarde(n) afhankelijk van de manier waarop het gereedschap**

wordt gebruikt, met name van het soort werkstuk waarmee wordt gewerkt.

- **Zorg ervoor dat veiligheidsmaatregelen worden getroffen ter bescherming van de gebruiker die zijn gebaseerd op een schatting van de blootstelling onder praktijkomstandigheden (rekening houdend met alle fasen van de bedrijfscyclus, zoals de tijdsduur gedurende welke het gereedschap is uitgeschakeld en stationair draait, naast de ingeschakelde tijdsduur).**

Trilling ENG900-1

De totale trillingswaarde (triaxiale vectorsom) zoals vastgesteld volgens EN62841-2-5:

Gebruikstoepassing: zagen in hout

Trillingsemissie ($a_{h,w}$): 2,5 m/s² of minder

Onzekerheid (K): 1,5 m/s²

Gebruikstoepassing: zagen van metaal

Trillingsemissie ($a_{h,M}$): 2,5 m/s² of minder

Onzekerheid (K): 1,5 m/s²

ENG901-2

- De totale trillingswaarde(n) is/zijn gemeten volgens een standaardtestmethode en kan/kunnen worden gebruikt om dit gereedschap te vergelijken met andere gereedschappen.
- De opgegeven totale trillingswaarde(n) kan/kunnen ook worden gebruikt voor een beoordeling vooraf van de blootstelling.

WAARSCHUWING:

- **De trillingsemissie tijdens het gebruik van het elektrisch gereedschap in de praktijk kan verschillen van de opgegeven waarde(n) afhankelijk van de manier waarop het gereedschap wordt gebruikt, met name van het soort werkstuk waarmee wordt gewerkt.**
- **Zorg ervoor dat veiligheidsmaatregelen worden getroffen ter bescherming van de gebruiker die zijn gebaseerd op een schatting van de blootstelling onder praktijkomstandigheden (rekening houdend met alle fasen van de bedrijfscyclus, zoals de tijdsduur gedurende welke het gereedschap is uitgeschakeld en stationair draait, naast de ingeschakelde tijdsduur).**

Verklaringen van conformiteit

Alleen voor Europese landen

De verklaringen van conformiteit zijn bijgevoegd in Bijlage A bij deze gebruiksaanwijzing.

ESPAÑOL (Instrucciones originales)

Explicación de los dibujos

- | | | |
|--|--|--|
| 1. Tornillo de apriete | 12. Interruptor disparador | 24. Palanca deslizante |
| 2. Tope inferior del disco | 13. Dial de regulación de la velocidad | 25. Tope lateral (regla de guía) |
| 3. Botón de parada rápida | 14. Llave Allen | 26. Borde trasero de la base de la herramienta |
| 4. Tornillos de apriete | 15. Palanca de bloqueo | 27. Tope fijo |
| 5. Base de la herramienta | 16. Bloqueo del eje | 28. Tornillo de ajuste para 90° |
| 6. Tope positivo | 17. Tornillo hexagonal | 29. Tornillo de ajuste para 45° |
| 7. Palanca | 18. Brida exterior | 30. Marca de límite |
| 8. Palanca de cambio del ángulo de bisel | 19. Disco de sierra | 31. Destornillador |
| 9. Base | 20. Brida interior | 32. Tapa del portaescobillas |
| 10. Línea de corte | 21. Aspirador | |
| 11. Botón de bloqueo en apagado | 22. Salida del polvo | |
| | 23. Tornillos de ajuste | |

ESPECIFICACIONES

| | | |
|---|-------|---------------|
| Modelo | | SP6000 |
| Diámetro del disco | | 165 mm |
| Profundidad de corte máxima | a 90° | 56 mm |
| | a 45° | 40 mm |
| | a 48° | 38 mm |
| Velocidad en vacío (mín ⁻¹) | | 2.200 - 6.400 |
| Longitud total | | 341 mm |
| Peso neto | | 4,1 kg |
| Clase de seguridad | | □/II |

- Debido a nuestro programa continuo de investigación y desarrollo, las especificaciones aquí descritas están sujetas a cambios sin previo aviso.
- Las especificaciones pueden ser diferentes de un país a otro.
- El peso puede diferir en función de los accesorios. En la tabla se muestran la combinación más ligera y la más pesada, de acuerdo con el Procedimiento EPTA 01/2014.

Uso previsto

ENE067-2

Esta herramienta está diseñada para realizar cortes de incisión. Esta herramienta también está diseñada para realizar cortes al hilo y transversales en madera. Si la herramienta se equipara con un disco de sierra circular apropiado, se puede usar para tableros de aluminio, tableros de plástico, tableros de revestimiento y paneles murales metálicos.

Alimentación

ENF002-2

La herramienta debe conectarse solamente a una fuente de alimentación de la misma tensión que la indicada en la placa de características, y sólo puede funcionar con corriente alterna monofásica. La herramienta cuenta con un doble aislamiento y puede, por lo tanto, usarse también en tomacorrientes sin conductor de tierra.

Advertencias de seguridad para herramientas eléctricas en general

GEA010-2

⚠ ADVERTENCIA: Lea todas las advertencias de seguridad, instrucciones, ilustraciones y especificaciones provistas con esta herramienta eléctrica. Si no sigue todas las instrucciones indicadas abajo podrá resultar en una descarga eléctrica, un incendio y/o heridas graves.

Guarde todas las advertencias e instrucciones para futuras referencias.

El término "herramienta eléctrica" en las advertencias se refiere a su herramienta eléctrica de funcionamiento con conexión a la red eléctrica (con cable) o herramienta eléctrica de funcionamiento a batería (sin cable).

ADVERTENCIAS DE SEGURIDAD PARA LA SIERRA CIRCULAR

GEB144-3

Procedimientos de corte

1. **⚠ PELIGRO:** Mantenga las manos alejadas del área de corte y del disco. Mantenga la segunda mano en el mango auxiliar o en el alojamiento del motor. Si sujeta la sierra con las dos manos, evitará la posibilidad de sufrir cortes del disco.
2. **Nunca se ponga debajo de la pieza de trabajo.** El protector no puede protegerle del disco debajo de la pieza de trabajo.
3. **Ajuste la profundidad de corte al grosor de la pieza de trabajo.** Debe verse menos de un diente del disco completo por debajo de la pieza de trabajo.

4. **Nunca sujete la pieza de trabajo con las manos o las piernas mientras la corta. Fije la pieza de trabajo a una plataforma estable.** Es importante sujetar la pieza de trabajo correctamente para minimizar la exposición del cuerpo, el agarrotamiento del disco o la pérdida de control. (Fig. 1)
5. **Sujete la herramienta eléctrica por las superficies de agarre aisladas al realizar una operación en que la herramienta de corte pueda entrar en contacto con cables ocultos o con su propio cable.** Si entra en contacto con un cable con corriente, puede que las piezas metálicas expuestas de la herramienta eléctrica se carguen también de corriente y que el operario reciba una descarga eléctrica.
6. **Cuando corte al hilo, utilice siempre un tope lateral o una guía de borde recto.** Esto mejora la precisión del corte y reduce la posibilidad de que el disco se agarrote.
7. **Utilice siempre discos con la forma (diamante o redondo) y el tamaño correctos de los agujeros del eje del disco.** Los discos que no coincidan con los elementos de montaje de la sierra funcionarán de forma excéntrica, lo que causará una pérdida de control.
8. **Nunca utilice arandelas o pernos de disco dañados o incorrectos.** El perno y las arandelas del disco se han diseñado específicamente para su sierra, para una seguridad y un rendimiento óptimos.

Causas de contragolpes y advertencias al respecto

- Un contragolpe es una reacción repentina provocada por un disco de sierra mal alineado, comprimido por la madera o agarrotado en ella, que hace perder el control de la sierra y que ésta se levante y salte desde la pieza de trabajo hacia el operario.
- Cuando el corte comprime el disco al cerrarse o hace que este se agarrote, el disco se atasca y la reacción del motor empuja la unidad rápidamente hacia atrás, hacia el operario.
- Si el disco se retuerce o está mal alineado en el corte, los dientes del borde posterior del disco pueden clavarse en la superficie posterior de la madera, haciendo que el disco escale la entalladura y salte hacia el operario.

El contragolpe es el resultado de un mal uso de la sierra o de condiciones o procedimientos de uso incorrectos y se puede evitar tomando las precauciones que se indican a continuación.

1. **Sujete la sierra firmemente con las dos manos y coloque sus brazos de forma que ofrezcan resistencia a las fuerzas de contragolpe. Coloque su cuerpo a un lado del disco, pero nunca en línea con él.** El contragolpe puede provocar que la sierra salte hacia atrás; no obstante, el operario puede controlar la fuerza del contragolpe si toma las precauciones adecuadas.
2. **Si el disco se agarrota o si se interrumpe el corte por cualquier motivo, suelte el disparador y mantenga la sierra quieta sobre el material hasta que el disco se detenga por completo. Nunca intente retirar la sierra de la pieza de trabajo ni tire de la sierra hacia atrás mientras el disco esté en movimiento ya que se podría producir un contragolpe.** Investigue la causa del agarrotamiento

del disco y tome las acciones correctoras para eliminarlo.

3. **Cuando vuelva a poner en marcha la sierra sobre la pieza de trabajo, centre el disco de sierra en el corte de forma que sus dientes no estén en contacto con el material.** Si el disco de la sierra se agarrota, puede escalar de la pieza de trabajo o producir un contragolpe cuando se vuelve a poner en marcha.
4. **Sujete los paneles grandes para minimizar el riesgo de que la madera comprima el disco y se produzca un contragolpe.** Los paneles grandes tienden a hundirse bajo su propio peso. Deben colocarse soportes bajo el panel en ambos lados, cerca de la línea de corte y del borde del panel. (Fig. 2 y 3)
5. **No utilice discos romos o dañados.** Los discos sin afilar o mal montados hacen que la entalladura sea estrecha, lo que provoca una fricción excesiva, un agarrotamiento del disco y el contragolpe.
6. **Las palancas de bloqueo del ajuste de bisel y de profundidad del disco deben estar bien apretadas y seguras antes de realizar el corte.** Si el ajuste del disco cambia durante el corte, se puede producir agarrotamiento y contragolpes.
7. **Tenga especial cuidado cuando siere en paredes u otras áreas ciegas.** El disco puede cortar objetos que pueden provocar contragolpes.
8. **Sujete SIEMPRE la herramienta firmemente con ambas manos. NUNCA coloque la mano, la pierna ni ninguna parte de su cuerpo debajo de la base de la herramienta o detrás de la sierra, sobre todo al realizar cortes transversales.** Si se produce un contragolpe, la sierra puede saltar fácilmente hacia atrás sobre su mano, lo que provocaría graves lesiones personales. (Fig. 4)
9. **No fuerce nunca la sierra. Empuje la sierra hacia delante a una velocidad en la que el disco corte sin reducir su velocidad.** Si se fuerza la sierra, los cortes pueden ser desiguales, se puede perder precisión y se pueden producir contragolpes.

Función de protección

1. **Compruebe que el protector se cierre debidamente antes de cada uso. No utilice la sierra si el protector no se mueve libremente y no cierra el disco inmediatamente. Nunca sujete ni fije el protector de forma que el disco quede expuesto.** Si la sierra cae accidentalmente, el protector se puede doblar. Compruebe que el protector se mueve libremente y no toca el disco o cualquier otra pieza, en todos los ángulos y profundidades de corte.
2. **Compruebe el funcionamiento y el estado del muelle de retorno del protector. Si el protector y el muelle no funcionan correctamente, deben repararse antes de utilizar la herramienta.** El protector puede funcionar con lentitud debido a piezas dañadas, depósitos pegajosos o acumulación de suciedad.
3. **Asegúrese de que la placa base de la sierra no se va a desplazar mientras realiza un “corte por inmersión”.** Si el disco se desplaza lateralmente

ocasionará estancamiento y posiblemente un retroceso brusco.

4. **Compruebe siempre que el protector cubra el disco antes de colocar la sierra sobre un banco o en el suelo.** Un disco sin proteger, que gire por inercia, puede hacer que la sierra se desplace hacia atrás, cortando lo que esté en su camino. Tenga en cuenta que el disco tarda un tiempo en detenerse después de soltar el interruptor.

Advertencias de seguridad adicionales

1. **Tenga especial cuidado cuando corte madera mojada, madera sometida a presión, o madera que contenga nudos.** Mantenga un avance suave de la herramienta sin que se reduzca la velocidad del disco, para evitar el sobrecalentamiento de las puntas del disco y, si corta plásticos, para evitar que el plástico se derrita.
2. **No intente retirar material cortado cuando el disco se esté moviendo. Espere hasta que el disco se detenga antes de recoger el material cortado.** Los discos siguen girando por inercia después de apagar la herramienta.
3. **Evite cortar clavos. Compruebe si hay clavos y retírelos antes de realizar el corte.**
4. **Coloque la parte más ancha de la base de la sierra sobre la pieza de trabajo que está firmemente apoyada, no sobre la sección que caerá cuando se realice el corte. Si la pieza de trabajo es corta o pequeña, sujétela con una abrazadera. ¡NO INTENTE SUJETAR LAS PIEZAS PEQUEÑAS CON LA MANO! (Fig. 5)**
5. **Antes de dejar la herramienta tras completar un corte, asegúrese de que el protector se haya cerrado y que el disco se haya detenido por completo.**
6. **Nunca intente serrar con la sierra circular boca arriba. Es extremadamente peligroso y puede provocar graves accidentes. (Fig. 6)**
7. **Algunos materiales contienen sustancias químicas que pueden ser tóxicas. Procure evitar la inhalación de polvo y el contacto con la piel. Siga los datos de seguridad del proveedor del material.**
8. **No detenga los discos mediante presión lateral sobre el disco de la sierra.**
9. **No utilice discos abrasivos.**
10. **Utilice solo discos de sierra con el diámetro marcado en la herramienta o especificado en el manual.** El uso de un disco con un tamaño incorrecto puede afectar a la correcta protección del disco o al funcionamiento del protector, lo que podría causar graves lesiones personales.
11. **Mantenga el disco limpio y afilado.** La goma y la resina de madera endurecidas sobre los discos ralentizan la sierra y aumentan el potencial de contragolpe. Para mantener el disco limpio, retírelo de la herramienta, límpielo con un producto para eliminar goma y resina, agua caliente o petróleo. Nunca utilice gasolina.
12. **Utilice una mascarilla antipolvo y protección para los oídos cuando utilice la herramienta.**
13. **Utilice siempre discos de sierra diseñados para cortar el material que va a cortar.**
14. **Utilice únicamente discos de sierra que estén marcados con una velocidad máxima igual o**

superior a la velocidad sin carga indicada en la herramienta.

15. **(Sólo para los países europeos)**
Utilice siempre discos que cumplan con EN847-1.

GUARDE ESTAS INSTRUCCIONES.

⚠ ADVERTENCIA: NO deje que la comodidad o la familiaridad con el producto (a base de utilizarlo repetidamente) sustituyan la estricta observancia de las normas de seguridad del producto en cuestión. El MAL USO o la no observancia de las normas de seguridad expuestas en este manual de instrucciones pueden ocasionar graves daños corporales.

DESCRIPCIÓN DEL FUNCIONAMIENTO

PRECAUCIÓN:

- Asegúrese siempre de que la herramienta esté apagada y desenchufada antes de intentar realizar cualquier tipo de ajuste o comprobación en ella.

Ajuste de la profundidad de corte (Fig. 7)

PRECAUCIÓN:

- Después de ajustar la profundidad de corte, apriete siempre el tornillo de apriete con firmeza.

Afloje el tornillo de apriete de la guía de profundidad y ajuste el tope inferior del disco a la profundidad deseada de la placa graduada. Cuando haya ajustado la profundidad de corte deseada, apriete el tornillo con firmeza.

Para lograr cortes más limpios y seguros, fije la profundidad de corte de forma que no se proyecte más de un diente del disco por debajo de la pieza de trabajo. El uso de una profundidad de corte correcta ayuda a reducir la posibilidad de peligrosos CONTRAGOLPES que pueden provocar lesiones personales.

NOTA:

- Ajustar el tope inferior del disco a la profundidad deseada en la placa graduada permite realizar desbastados.
Para realizar cortes precisos, mida el saliente del disco de la sierra debajo de la base de la herramienta.

Botón de parada rápida para una profundidad de corte de 2 a 3 mm al utilizar el carril de guía (accesorio) (Fig. 8 y 9)

Esta herramienta dispone de un botón de parada rápida para una profundidad de corte de 2 a 3 mm en el alojamiento del engranaje junto al mango trasero al utilizar el accesorio de carril de guía. Esto se utiliza para realizar el corte de la pieza de trabajo sin formar astillas. Realice una pasada del primer corte de 2 a 3 mm y luego realice otra pasada con el corte normal.

Para obtener la profundidad de corte de 2 a 3 mm, presione el botón de parada hacia el disco de sierra. De este modo evitará que se formen astillas en la pieza de trabajo.

Para soltar la profundidad de corte fijada en esta posición y tener una profundidad de corte libre, tire del botón.

Corte en bisel (Fig. 10)

Inclinación hacia la derecha (Fig. 11 y 12)

Gire el tope positivo hasta que la flecha señale una de las dos posiciones (vertical para 22,5° y horizontal para 45°). Afloje los tornillos de apriete de delante y atrás. A continuación incline la base de la herramienta hasta que se detenga y fíjela con los tornillos de apriete. Para que el ángulo de bisel sea de 48°, mueva la palanca hacia la marca de 48° hasta el tope. Gire el tope positivo para que la flecha señale la posición horizontal. A continuación incline la base de la herramienta hasta que se detenga y fíjela con los tornillos de apriete.

Inclinación hacia la izquierda (Fig. 13)

La herramienta se puede inclinar hacia la izquierda en un ángulo de bisel de 1°. Para conseguir el ángulo de bisel de 1° hacia la izquierda, afloje los tornillos de apriete de delante y atrás, incline el mango de la herramienta ligeramente hacia la derecha y empuje las dos palancas de cambio del ángulo de bisel simultáneamente en la dirección de la flecha con la marca -1. A continuación, incline el mango de la herramienta hacia la izquierda mientras empuja estas dos palancas simultáneamente. Sujete la base con los tornillos de apriete.

NOTA:

- Si se vuelve a colocar el disco en ángulo recto, la palanca de cambio vuelve a 0°.

Visor (Fig. 14)

Cuando la herramienta se utiliza sin el carril de guía (accesorio)

Para cortes rectos, alinee la posición A en la parte delantera de la base con la línea de corte. Para cortes en bisel de 45°, alinee la posición B con la línea de corte.

Cuando la herramienta se utiliza con el carril de guía (accesorio)

Para cortes rectos y cortes en bisel de 45°, alinee siempre la posición A en la parte delantera de la base con la línea de corte.

Funcionamiento del interruptor (Fig. 15)

PRECAUCIÓN:

- Antes de enchufar la herramienta, asegúrese siempre de que el interruptor disparador funcione como es debido y de que vuelva a la posición "OFF" (apagado) al soltarlo.

Para evitar que el disparador del interruptor se accione accidentalmente se proporciona un botón de bloqueo. Para poner en marcha la herramienta, empuje el botón de desbloqueo y tire del disparador del interruptor. Suelte el interruptor disparador para detener la herramienta.

Dial de ajuste de velocidad (Fig. 16)

La velocidad de la herramienta se puede ajustar girando el dial de ajuste. Se obtendrá mayor velocidad cuando el dial se gire en la dirección del número 6; se obtendrá menor velocidad cuando se gire en la dirección del número 1.

Consulte la tabla para seleccionar la velocidad adecuada para la pieza de trabajo que va a cortar. La velocidad adecuada puede ser distinta en función del tipo o grosor

de la pieza de trabajo. En general, cuanto mayor sea la velocidad, más rápido se cortarán las piezas de trabajo, pero se reducirá la vida útil del disco.

| Número | min ⁻¹ |
|--------|-------------------|
| 1 | 2.200 |
| 2 | 2.700 |
| 3 | 3.800 |
| 4 | 4.900 |
| 5 | 6.000 |
| 6 | 6.400 |

015770

PRECAUCIÓN:

- El dial de regulación de la velocidad puede girarse hasta 6 y de vuelta hasta 1 solamente. No lo fuerce más allá de 6 ó 1, o la función de ajuste de velocidad podrá dejar de funcionar.
- El dial de ajuste de la velocidad no está indicado para utilizar discos de sierra de baja velocidad nominal, sino para obtener una velocidad adecuada al material de la pieza de trabajo. Utilice solo discos de sierra que estén clasificados, como mínimo, para la velocidad en vacío máxima de las ESPECIFICACIONES.

Las herramientas que disponen de función electrónica son fáciles de manejar porque cuentan con las características siguientes.

Protector de sobrecarga

Cuando la herramienta se sobrecarga y la corriente supera un nivel determinado, se detiene automáticamente para proteger el motor.

Control de velocidad constante

Se trata de un control electrónico de la velocidad para lograr una velocidad constante. Permite obtener un acabado preciso, porque la velocidad de rotación se mantiene a un nivel constante incluso en caso de que haya carga.

Característica de inicio lento

Elimina la sacudida inicial.

MONTAJE

PRECAUCIÓN:

- Asegúrese siempre de que la herramienta esté apagada y desenchufada antes de intentar realizar cualquier trabajo en ella.

Almacenamiento de la llave Allen (Fig. 17)

La llave Allen se guarda en la propia herramienta. Para extraerla, tire de ella.

Para ponerla en su sitio, colóquela en la empuñadura e insértela hasta el tope.

Extracción o instalación del disco de la sierra

PRECAUCIÓN:

- No utilice discos de sierra que no se ajusten a las características especificadas en estas instrucciones.
- Utilice solo discos de sierra que estén clasificados, como mínimo, para la velocidad en vacío máxima de las ESPECIFICACIONES.

- Asegúrese de que el disco esté instalado con los dientes apuntando hacia la parte delantera de la herramienta.
- Utilice sólo la llave de Makita para instalar o extraer el disco.

Para extraer el disco, presione el botón de desbloqueo para desbloquear el tope superior. (Fig. 18)

Gire la palanca de bloqueo para bloquear la cabeza de la sierra y sustituir el disco. (Fig. 19)

Con el botón de desbloqueo presionado y la palanca de bloqueo girada, tire de la empuñadura hacia abajo hasta que el pasador de seguridad encaje en la ranura formada por la palanca de bloqueo y la guía de profundidad con la placa graduada. Asegúrese de que el pasador de seguridad encaje en la ranura.

Ejerza presión sobre el bloqueo del eje hasta el tope para que el disco no pueda girar y utilice la llave para aflojar el perno hexagonal en el sentido contrario a las agujas del reloj. A continuación, extraiga el perno de cabeza hexagonal, la brida exterior y el disco. (Fig. 20)

Para instalar el disco, siga el procedimiento de extracción a la inversa. **ASEGÚRESE DE APRETAR FIRMEMENTE EL PERNO DE CABEZA HEXAGONAL EN EL SENTIDO DE LAS AGUJAS DEL RELOJ.** (Fig. 21)

Limpieza del protector del disco

Cuando cambie el disco de sierra circular, asegúrese también de limpiar el serrín que se ha acumulado en el protector del disco tal y como se explica en la sección de Mantenimiento. Tales esfuerzos no sustituyen la necesidad de comprobar el funcionamiento del protector antes de cada uso.

Conexión del aspirador (Fig. 22)

Si desea realizar una operación de corte limpio, conecte un aspirador Makita a la herramienta. A continuación, conecte una manguera del aspirador a la salida del polvo como se muestra en la figura.

MANEJO

Corte de sección (aserrado normal) (Fig. 23)

PRECAUCIÓN:

- Asegúrese de desplazar la herramienta suavemente hacia delante en línea recta. Si se fuerza o se retuerce la herramienta se provocará un sobrecalentamiento del motor y un peligroso contragolpe, que puede causar graves lesiones personales.
- Nunca sitúe ninguna parte de su cuerpo debajo de la base de la herramienta cuando realice cortes de sección, y menos aún al empezar. Si lo hace, pueden producirse graves lesiones personales. El disco sobresale por debajo de la base de la herramienta.

Sujete firmemente la herramienta. La herramienta se suministra con una empuñadura delantera y un mango trasero. Utilice ambos elementos para sujetar mejor la herramienta. Si ambas manos sujetan la sierra no pueden sufrir cortes del disco. Coloque la parte delantera de base sobre la pieza de trabajo que debe cortarse sin que el disco realice ningún contacto. Luego presione el botón de desbloqueo, encienda la herramienta y espere a que el disco alcance la velocidad máxima. Presione lentamente la cabeza de la sierra hacia abajo hasta la profundidad de

corte preajustada y mueva la herramienta hacia delante sobre la superficie de la pieza de trabajo, manteniéndola plana y avanzando suavemente hasta que el proceso de corte se haya completado.

Para obtener cortes limpios, mantenga la línea de serrado recta y la velocidad de avance uniforme. Si el corte no sigue correctamente la línea de corte prevista, no intente girar la herramienta ni la fuerza para volver a la línea de corte. El disco puede trabarse y provocar peligrosos contragolpes y posibles lesiones graves. Suelte el interruptor, espere a que el disco se pare y retire la herramienta. Vuelva a alinear la herramienta sobre la línea de corte y reinicie el corte. Intente no colocarse en una postura que exponga al operario a astillas y polvo que se expulsan desde la sierra. Utilice protección ocular para evitar lesiones.

Si se utiliza con el carril de guía (accesorio) (Fig. 24 y 25)

Sitúe la herramienta en el extremo posterior del carril de guía. Gire los dos tornillos de ajuste en la base de la herramienta para que ésta se deslice suavemente sin traquetear. Sujete firmemente la herramienta. La herramienta se suministra con una empuñadura delantera y un mango trasero. Utilice ambos elementos para sujetar mejor la herramienta. Encienda la herramienta, presiónela hasta la profundidad de corte prefijada y realice el corte de golpe a lo largo de toda la protección antiastillas. El borde de la protección antiastillas se corresponde con el borde de corte.

Cuando realice cortes en bisel con el carril de guía, deslice la palanca deslizante de la base de la herramienta para que la herramienta no caiga de lado.

Desplace la palanca deslizante de la base de la herramienta en la dirección de la flecha para que se enclave en la muesca de guía del carril de guía.

Tope lateral (regla de guía) (Accesorio opcional) (Fig. 26)

El práctico tope lateral permite realizar cortes rectos de gran precisión. Sólo tiene que deslizar el tope lateral cómodamente hasta el lateral de la pieza de trabajo y fijarlo en posición con los tornillos de la parte delantera y trasera de la base. También hace que el ancho de los cortes repetidos sea lo más uniforme posible.

Dándole la vuelta al tope lateral (regla de guía) se obtiene una subbase para la herramienta.

Incisiones (cortes) (Fig. 27)

ADVERTENCIA:

- Para evitar que se produzcan contragolpes, observe las instrucciones siguientes.

Cuando la herramienta se utiliza sin el carril de guía

Coloque la herramienta sobre la pieza de trabajo con el borde posterior de la base de la herramienta contra un tope fijo o similar, que pueda ser observado por un operario.

Cuando la herramienta se utiliza con el carril de guía

Coloque la herramienta sobre el carril de guía con el borde posterior de la base de la herramienta contra un tope fijo o similar, que pueda ser observado por un operario.

Sujete firmemente la herramienta con una mano en la empuñadura delantera y la otra en el mango de la herramienta. Luego presione el botón de desbloqueo, encienda la herramienta y espere a que el disco alcance la velocidad máxima. Presione lentamente la cabeza de la sierra hacia abajo hasta la profundidad de corte preajustada y mueva la herramienta hacia delante en dirección a la posición de incisión deseada.

NOTA:

- Las marcas situadas en los lados del protector del disco muestran los puntos de corte delantero y trasero del disco de sierra (A para un diámetro de 160 mm y B para un diámetro de 165 mm) a la máxima profundidad de corte y utilizando el carril de guía. (Fig. 28)

Dispositivo guía (accesorios)

El uso del cartabón de inglete (accesorio) permite realizar cortes a inglete exactos con ángulos y empalmes. Para garantizar que la pieza de trabajo quede firmemente sujeta a la mesa se puede utilizar el fijador (accesorio).

MANTENIMIENTO

PRECAUCIÓN:

- Asegúrese siempre de que la herramienta esté apagada y desenchufada antes de intentar realizar cualquier trabajo de inspección o mantenimiento en ella.
- Limpie el protector para asegurarse de que no se haya acumulado serrín, lo que podría impedir el funcionamiento del sistema de protección. Un sistema de protección sucio puede limitar el funcionamiento correcto, lo que podría provocar graves lesiones personales. La forma más efectiva de realizar la limpieza es utilizar aire comprimido. **Si está soplando el polvo para retirarlo del protector, asegúrese de utilizar una protección adecuada para los ojos y el sistema respiratorio.**
- Nunca utilice gasolina, benceno, disolvente, alcohol o un producto similar. Se puede provocar una decoloración, una deformación o grietas.

Ajuste de la precisión de corte de 90° y 45° (corte de 45° y vertical) (Fig. 29 y 30)

Este ajuste se ha realizado en fábrica. No obstante, está desactivado. Ajuste la posición de los tornillos del disco mientras realiza una inspección a 90° o 45° respecto a la base, mediante una escuadra o una regla, etc.

NOTA:

- No se puede realizar el ajuste de precisión de 22,5°, 48° y -1°.

Reemplazo de las escobillas de carbón (Fig. 31 y 32)

Extraiga y compruebe las escobillas de carbón regularmente.

Cámbielas cuando el desgaste alcance la marca de límite. Mantenga las escobillas de carbón limpias y de forma que entren libremente en los portaescobillas.

Ambas escobillas de carbón deberán ser sustituidas al mismo tiempo. Utilice únicamente escobillas de carbón idénticas.

Utilice un destornillador para extraer las tapas de los portaescobillas.

Saque las escobillas de carbón desgastadas, introduzca las nuevas y cierre las tapas de los portaescobillas. Para conservar la SEGURIDAD y la FIABILIDAD del producto, los trabajos de reparación y otros trabajos de mantenimiento y ajuste deberán ser realizados en centros de servicio autorizados de Makita, utilizando siempre repuestos Makita.

ACCESORIOS OPCIONALES

⚠ PRECAUCIÓN:

- Se recomienda el uso de estos accesorios o complementos con la herramienta Makita especificada en este manual. El uso de otros accesorios o complementos puede conllevar el riesgo de ocasionar daños corporales. Utilice los accesorios o complementos solamente para su fin establecido.

Si necesita cualquier ayuda para obtener más información relativa a estos accesorios, pregunte a su centro de servicio Makita local.

- Discos de sierra
- Carril de guía
- Tope lateral (regla de guía)
- Cartabón de inglete
- Fijador
- Llave Allen
- Conjunto de hojas para carril guía
- Conjunto de hojas de goma para carril guía
- Conjunto de hojas de posición para carril guía

NOTA:

- Algunos elementos de la lista se pueden incluir en el paquete de la herramienta como accesorios estándar. Pueden ser diferentes de un país a otro.

Ruido

ENG905-1

Nivel típico de ruido ponderado A determinado conforme a EN62841-2-5:

Nivel de presión de sonido (L_{pA}): 95 dB (A)

Nivel de potencia de sonido (L_{WA}): 103 dB (A)

Incertidumbre (K): 3 dB (A)

ENG907-1

- El valor (o los valores) de emisión de ruido declarado ha sido medido de acuerdo con un método de prueba estándar y se puede utilizar para comparar una herramienta con otra.
- El valor (o valores) de emisión de ruido declarado también se puede utilizar en una valoración preliminar de exposición.

⚠ ADVERTENCIA:

- Póngase protectores para oídos.
- La emisión de ruido durante la utilización real de la herramienta eléctrica puede variar del valor (o los valores) de emisión declarado dependiendo de las formas en las que la herramienta sea utilizada, especialmente qué tipo de pieza de trabajo se procesa.
- Asegúrese de identificar medidas de seguridad para proteger al operario que estén basadas en una estimación de la exposición en las condiciones reales de utilización (teniendo en cuenta todas las partes del ciclo operativo como las veces cuando la herramienta está apagada y cuando está

funcionando en vacío además del tiempo de gatillo).

Vibración

ENG900-1

Valor total de la vibración (suma de vectores triaxiales) determinada según el estándar EN62841-2-5:

Modo de trabajo: corte de madera

Emisión de vibraciones ($a_{h,w}$): 2,5 m/s² o menos

Incertidumbre (K): 1,5 m/s²

Modo de trabajo: corte de metal

Emisión de vibraciones ($a_{h,M}$): 2,5 m/s² o menos

Incertidumbre (K): 1,5 m/s²

ENG901-2

- El valor (o los valores) total de emisión de vibración declarado ha sido medido de acuerdo con un método de prueba estándar y se puede utilizar para comparar una herramienta con otra.
- El valor (o los valores) total de emisión de vibración declarado también se puede utilizar en una valoración preliminar de exposición.

⚠ ADVERTENCIA:

- **La emisión de vibración durante la utilización real de la herramienta eléctrica puede variar del valor (o los valores) de emisión declarado dependiendo de las formas en las que la herramienta sea utilizada, especialmente qué tipo de pieza de trabajo se procesa.**
- **Asegúrese de identificar medidas de seguridad para proteger al operario que estén basadas en una estimación de la exposición en las condiciones reales de utilización (teniendo en cuenta todas las partes del ciclo operativo como las veces cuando la herramienta está apagada y cuando está funcionando en vacío además del tiempo de gatillo).**

Declaraciones de conformidad

Para países europeos solamente

Las declaraciones de conformidad están incluidas como Anexo A de este manual de instrucciones.

PORTUGUÊS (Instruções de origem)

Descrição geral

- | | | |
|---|---|--|
| 1. Parafuso de fixação | 12. Gatilho | 24. Alavanca de correr |
| 2. Batente do limite inferior da lâmina | 13. Manipulo de regulação da velocidade | 25. Vedação para escarificação (guia paralela) |
| 3. Botão de paragem rápida | 14. Chave sextavada | 26. Margem traseira da base da ferramenta |
| 4. Parafusos de fixação | 15. Alavanca de bloqueio | 27. Batente fixo |
| 5. Base da ferramenta | 16. Bloqueio do veio | 28. Parafuso de regulação para 90° |
| 6. Batente positivo | 17. Parafuso sextavado | 29. Parafuso de regulação para 45° |
| 7. Alavanca | 18. Flange exterior | 30. Marca limite |
| 8. Alavanca de mudança do ângulo de bisel | 19. Lâmina da serra | 31. Chave de parafusos |
| 9. Base | 20. Flange interior | 32. Tampa do porta-escovas |
| 10. Linha de corte | 21. Aspirador | |
| 11. Botão de bloqueio | 22. Porta de pó | |
| | 23. Parafusos de regulação | |

ESPECIFICAÇÕES

| | | |
|---|-------|---------------|
| Modelo | | SP6000 |
| Diâmetro da lâmina | | 165 mm |
| Profundidade máxima de corte | a 90° | 56 mm |
| | a 45° | 40 mm |
| | a 48° | 38 mm |
| Velocidade de rotação sem carga (mín. ⁻¹) | | 2.200 - 6.400 |
| Comprimento total | | 341 mm |
| Peso líquido | | 4,1 kg |
| Classe de segurança | | □/II |

- Devido à pesquisa e desenvolvimento constantes, estas especificações estão sujeitas a alteração sem aviso prévio.
- Estas especificações podem diferir de país para país.
- O peso pode variar dependendo do(s) acessório(s). A combinação mais leve e a mais pesada, de acordo com o procedimento EPTA 01/2014, são apresentadas na tabela.

Utilização prevista ENE067-2

A ferramenta destina-se especialmente para efetuar cortes a fundo. A ferramenta destina-se também a cortes longitudinais e transversais em madeira. Se a ferramenta estiver equipada com uma lâmina de serra circular adequada, a ferramenta pode ser utilizada para placas de alumínio, placas de plástico, placas de revestimento e painéis de parede de metal.

Fonte de alimentação ENF002-2

A ferramenta apenas deve ser ligada a uma fonte de alimentação da mesma tensão que a indicada na chapa de especificações, e apenas pode funcionar com uma alimentação CA monofásica. Estão blindadas duplamente e podem, assim, ser igualmente ligadas a tomadas sem fio terra.

Avisos gerais de segurança para ferramentas elétricas GEA010-2

⚠ AVISO: Leia todos os avisos de segurança, instruções, ilustrações e especificações fornecidos com esta ferramenta elétrica. O não cumprimento de todas as instruções indicadas em baixo pode resultar em choque elétrico, incêndio e/ou ferimentos graves.

Guarde todos os avisos e instruções para futuras referências.

O termo "ferramenta elétrica" nos avisos refere-se às ferramentas elétricas ligadas à corrente elétrica (com cabo) ou às ferramentas elétricas operadas por meio de bateria (sem cabo).

AVISOS DE SEGURANÇA DA SERRA CIRCULAR GEB144-3

Procedimentos de corte

1. **⚠ PERIGO: Mantenha as mãos afastadas da área de corte e da lâmina. Mantenha a outra mão na pega auxiliar ou caixa do motor.** Se ambas as mãos estiverem a segurar a serra, não podem ser cortadas pela lâmina.
2. **Não coloque as mãos por baixo da peça de trabalho.** O resguardo não o pode proteger da lâmina debaixo da peça de trabalho.
3. **Ajuste a profundidade de corte para a espessura da peça de trabalho.** Deve ser visível menos do que um dente completo dos dentes da lâmina abaixo da peça de trabalho.

4. **Nunca segure a peça de trabalho nas mãos ou em cima das pernas durante o corte. Fixe a peça de trabalho a uma plataforma estável.** É importante suportar corretamente a peça de trabalho para minimizar a exposição do corpo, dobragem da lâmina ou perda de controle. (Fig. 1)
5. **Quando executar operações em que ferramentas de corte possam entrar em contacto com fios elétricos ocultos ou com próprio cabo elétrico da ferramenta, tenha o cuidado de tocar apenas nas superfícies isoladas dessas ferramentas.** Se entrar em contacto com um cabo sob tensão, as partes metálicas expostas da ferramenta elétrica podem ficar igualmente sob tensão, podendo provocar um choque elétrico no operador.
6. **Quando escarificar, utilize sempre uma vedação para escarificação ou guia de margem direita.** Isto melhora a precisão do corte e reduz as possibilidades de dobragem da lâmina.
7. **Utilize sempre lâminas com o tamanho e forma corretos (diamante em vez de redondo) dos orifícios de alojamento.** As lâminas que não correspondam ao hardware de instalação da serra funcionarão de forma descentrada, provocando uma perda de controle.
8. **Nunca utilize anilhas ou parafusos de lâmina danificados ou incorretos.** As anilhas e parafusos da lâmina foram concebidos especificamente para a sua serra, para uma utilização ideal e segurança de funcionamento.
3. **Quando reiniciar uma serra na peça de trabalho, centre a lâmina da serra no corte para que os dentes da serra não fiquem presos no material.** Se a lâmina da serra dobrar, poderá levantar o recuo da peça de trabalho, quando a serra é reiniciada.
4. **Dê suporte aos painéis de grandes dimensões, para minimizar o risco de atracar a lâmina e de recuo.** Os painéis de grandes dimensões tendem a abater sob o seu próprio peso. Os suportes devem ser colocados debaixo do painel em ambos os lados, perto da linha de corte e perto da margem da extremidade do painel. (Fig. 2 & 3)
5. **Não utilize lâminas rombas ou danificadas.** As lâminas rombas ou incorretamente configuradas produzem um corte estreito, causando fricção excessiva, atracamento da lâmina e recuo.
6. **As alavancas de regulação da profundidade da lâmina e bisel devem estar apertadas e fixas antes de cortar.** Se a regulação da lâmina mudar durante o corte, pode provocar a dobragem da lâmina e recuo.
7. **Tenha um cuidado especial quando serrar paredes existentes ou outras zonas cegas.** A lâmina saliente pode cortar objetos que provoquem recuo.
8. **Segure SEMPRE a ferramenta com firmeza, com as duas mãos. NUNCA coloque a mão, perna ou qualquer parte do corpo debaixo da base da ferramenta ou atrás da serra, especialmente quando fizer cortes transversais.** Se ocorrer recuo, a serra pode facilmente saltar para trás para cima da mão, provocando ferimentos graves. (Fig. 4)
9. **Nunca force a serra. Empurre a serra para a frente devagar, de forma a que a lâmina corte sem abrandar.** Forçar a serra pode causar cortes irregulares, perda de precisão e possível recuo.

Causas de recuos e avisos relacionados

- o recuo é uma reação súbita a uma lâmina de serra atarracada, encravada ou não alinhada, fazendo com que uma serra não controlada se levante para fora da peça de trabalho, na direção do operador;
- quando a lâmina está atarracada ou bastante encravada pelo corte a fechar, a lâmina para e a reação do motor atira a rapidamente a unidade na direção do operador.
- se a lâmina fica torta ou não alinhada no corte, os dentes na parte posterior da lâmina podem enterrar-se na superfície superior da madeira, fazendo com a lâmina suba para fora do corte e salte na direção do operador.

O recuo é o resultado da má utilização da serra e/ou procedimentos de funcionamento incorretos e pode ser evitado tomando as devidas precauções, tal como indicado em baixo.

1. **Agarre bem a serra com ambas as mãos e posicione os braços para resistir às forças de recuo. Posicione o seu corpo para um dos lados da lâmina, mas não alinhado com a lâmina.** O recuo pode fazer com que a lâmina salte para trás, mas as forças de recuo podem ser controladas pelo operador, se forem tomadas as devidas precauções.
2. **Quando a lâmina estiver a dobrar ou quando interromper um corte por qualquer razão, solte o gatilho e segure na serra sem a mexer no material, até que a lâmina pare completamente. Nunca tente remover a serra da peça de trabalho ou puxar a serra para trás enquanto a lâmina se estiver a mover, caso contrário, poderá ocorrer um recuo.** Investigue e tome ações corretivas para eliminar a causa do empeno da lâmina.

Função do resguardo

1. **Verifique se o resguardo fecha corretamente antes de cada utilização. Não acione a serra se o resguardo não se mover livremente e não se fechar imediatamente. Nunca prenda ou amarre o resguardo de forma a que a lâmina fique exposta.** Se a serra cair acidentalmente, o resguardo pode estar dobrado. Verifique se o resguardo se move livremente e não toca na lâmina ou qualquer outra parte, em todos os ângulos e profundidades de corte.
2. **Verifique o funcionamento e o estado da mola de retorno do resguardo. Se o resguardo e a mola não estiverem a funcionar corretamente, deve ser efetuada uma operação de manutenção antes de utilizar.** O resguardo pode funcionar de forma lenta devido a peças danificadas, depósitos aderentes ou acumulação de resíduos.
3. **Assegure que a placa base da serra não se desvia enquanto realiza o “corte de penetração”.** O desvio da lâmina na lateral causará a dobragem da lâmina e provavelmente o seu recuo.
4. **Verifique sempre se o resguardo está a cobrir a lâmina antes de apoiar a lâmina num banco ou chão.** Uma lâmina desprotegida e a abrandar fará com que a serra avance para trás, cortando tudo o que estiver no seu caminho. Tenha em conta o tempo que a lâmina demora a parar após o interruptor ser libertado.

Avisos de segurança adicionais

1. **Tenha muito cuidado quando cortar madeira húmida, madeira com tratamento de pressão ou madeira com nós.** Mantenha um avanço suave da ferramenta sem redução da velocidade da lâmina para evitar sobreaquecimento das pontas da lâmina e se cortar plásticos, para evitar derreter o plástico.
2. **Não tente remover material cortado quando a lâmina se estiver a mover.** Aguarde até que as lâminas parem antes de retirar material cortado. As lâminas continuam a funcionar após a desligação.
3. **Evite cortar pregos. Verifique e remova quaisquer pregos da madeira antes de cortar.**
4. **Coloque a parte mais larga da base da serra nessa parte da peça de trabalho que está bem apoiada e não na secção que cairá quando o corte for efetuado. Se a peça de trabalho for curta ou pequena, fixe-a. NÃO TENTE SEGURAR AS PEÇAS CURTAS COM A MÃO! (Fig. 5)**
5. **Antes de pousar a ferramenta após concluir um corte, certifique-se de que o resguardo está fechado e se a lâmina parou completamente.**
6. **Nunca tente serrar com a serra circular virada ao contrário num torno. Isto é extremamente perigoso e pode levar a acidentes graves. (Fig. 6)**
7. **Alguns materiais contêm químicos que podem ser tóxicos. Tenha cuidado para evitar a inalação e o contacto da pele com o pó produzido. Obedeça às instruções de segurança do fornecedor do material.**
8. **Não pare as lâminas utilizando pressão lateral na lâmina da serra.**
9. **Não utilize quaisquer rodas abrasivas.**
10. **Apenas utilize a lâmina da serra com o diâmetro assinalado na ferramenta ou especificado no manual.** A utilização de uma lâmina de tamanho incorreto pode afetar a proteção adequada da lâmina ou o funcionamento do resguardo, o que pode resultar em ferimentos pessoais graves.
11. **Mantenha a lâmina afiada e limpa.** A goma e nós da madeira duros nas lâminas abrandam a serra e aumentam o potencial de recuo. Mantenha a lâmina limpa removendo-a da ferramenta e limpando-a com removedor de goma e cruda, água quente ou querosene. Nunca utilize gasolina.
12. **Use uma máscara contra o pó e proteção para os ouvidos quando utilizar a ferramenta.**
13. **Utilize sempre a lâmina de serra prevista para cortar o material que está a cortar.**
14. **Utilize apenas lâminas de serra assinaladas com uma velocidade igual ou superior à velocidade assinalada na ferramenta.**
15. **(Apenas para os países europeus)** Utilize sempre uma lâmina em conformidade com a norma EN847-1.

GUARDE ESTAS INSTRUÇÕES.

⚠️ AVISO: NÃO deixe que o conforto ou familiaridade com o produto (obtida de uma utilização regular) substitua um cumprimento severo das regras de segurança do produto em causa. Uma UTILIZAÇÃO INCORRETA ou não cumprimento das regras de segurança indicadas neste manual de instruções podem provocar ferimentos pessoais graves.

DESCRIÇÃO DO FUNCIONAMENTO

PRECAUÇÃO:

- Certifique-se sempre de que a ferramenta está desligada e com o fio desligado da corrente antes de proceder a ajustamentos ou testar a ferramenta.

Regular a profundidade de corte (Fig. 7)

PRECAUÇÃO:

- Após regular a profundidade de corte, aperte sempre bem o parafuso de fixação. Solte o parafuso de fixação no guia de profundidade e mova o batente do limite inferior da lâmina para a profundidade pretendida na chapa de escala. Na profundidade de corte pretendida, aperte bem o parafuso de fixação. Para cortes mais limpos e seguros, defina a profundidade de corte de forma a que não mais de um dente de uma lâmina seja projectado abaixo da peça de trabalho. Utilizar uma profundidade de corte correcta reduz o potencial para RECUOS perigosos que podem causar ferimentos pessoais.

NOTA:

- Definir o batente do limite inferior da lâmina para a profundidade pretendida na chapa de escala permite a profundidade de corte de desbaste. Para uma profundidade de corte precisa, meça a protusão da lâmina de serra abaixo da base da ferramenta.

Botão de paragem rápida para profundidade de corte de 2 a 3 mm quando utilizar o carril de guia (Fig. 8 e 9)

Esta ferramenta possui um botão de paragem rápida para uma profundidade de corte de 2 a 3 mm no alojamento da engrenagem, ao lado da pega traseira quando utilizar o carril de guia. É utilizado quando pretender evitar farpas no corte da peça de trabalho. Efectue uma passagem de 2 a 3 mm para o primeiro corte e efectue outra passagem com um corte normal.

Para obter a profundidade de corte de 2 a 3 mm, prima o botão de paragem na direcção da lâmina de serra. Isto é conveniente para evitar farpas na peça de trabalho.

Para soltar a profundidade de corte desta posição para uma profundidade de corte livre, puxe o botão para trás.

Corte em bisel (Fig. 10)

Inclinar para a direita (Fig. 11 e 12)

Rode o batente positivo de forma a que a seta aponte para uma de duas posições (vertical para 22,5°, horizontal para 45°). Solte os parafusos de fixação atrás e à frente. De seguida, incline a base da ferramenta até que pare e fixe a base com os parafusos de fixação.

Para obter o ângulo de bisel de 48°, mova ao máximo a alavanca até à marca 48°. Rode o batente positivo, de forma a que a seta aponte para a posição horizontal. De seguida, incline a base da ferramenta até que pare e fixe a base com os parafusos de fixação.

Inclinar para a esquerda (Fig. 13)

A ferramenta pode ser inclinada para o ângulo esquerdo de bisel de 1°. Para ir para o ângulo esquerdo de bisel de

1°, solte os parafusos de fixação atrás e à frente, incline a pega da ferramenta ligeiramente para a direita e empurre ao mesmo tempo as duas alavancas de mudança do ângulo de bisel na direcção da seta que tem a marca -1. De seguida, incline o manípulo da ferramenta para a esquerda enquanto pressiona estas duas alavancas em simultâneo. Fixe a base com os parafusos de fixação.

NOTA:

- Regressar a lâmina para o ângulo direito faz com que a alavanca de mudança regresse a 0° por si só.

Alinhamento (Fig. 14)

Quando utilizar a ferramenta sem carril de guia (acessório)

Para cortes a direito, alinhe a posição A na frente da base com a linha de corte. Para cortes de bisel de 45°, alinhe-a com a posição B.

Quando utilizar a ferramenta com carril de guia (acessório)

Para cortes a direito e cortes de bisel a 45°, alinhe sempre a posição A na frente da base com a linha de corte.

O gatilho/interruptor (Fig. 15)

PRECAUÇÃO:

- Antes de inserir a ficha da ferramenta na tomada, verifique se o gatilho está a funcionar correctamente e se volta à posição "OFF" quando o solta.

Para evitar que o gatilho seja acidentalmente puxado, é fornecido botão de bloqueio. Para iniciar a ferramenta, pressione o botão de bloqueio e puxe o gatilho. Para parar a ferramenta, solte o gatilho.

Manípulo de regulação da velocidade (Fig. 16)

A velocidade da ferramenta pode ser ajustada rodando o manípulo de regulação. É obtida uma velocidade mais elevada quando o manípulo é rodado na direcção do número 6. É obtida uma velocidade mais baixa quando é rodado na direcção do número 1.

Consulte a tabela para seleccionar a velocidade adequada para a peça de trabalho a cortar. No entanto, a velocidade adequada poderá ser diferente consoante o tipo de espessura da peça de trabalho. De maneira geral, as velocidades mais altas permitirão que corte peças de trabalho mais rápido, mas a vida útil da lâmina será reduzida.

| Número | min ⁻¹ |
|--------|-------------------|
| 1 | 2.200 |
| 2 | 2.700 |
| 3 | 3.800 |
| 4 | 4.900 |
| 5 | 6.000 |
| 6 | 6.400 |

015770

PRECAUÇÃO:

- O manípulo de regulação da velocidade apenas pode ser rodado até 6 ou 1. Não o force para lá de 6 ou 1,

caso contrário a função de regulação da velocidade poderá deixar de funcionar.

- O manípulo de regulação da velocidade não se destina a utilizar lâminas indicadas para velocidades baixas, mas sim para obter uma velocidade que é adequada ao material da peça de trabalho. Use apenas lâminas de serra com, no mínimo, a classificação para a velocidade máxima sem carga indicada em ESPECIFICAÇÕES.

As ferramentas equipadas com funções electrónicas são fáceis de utilizar devido às seguintes funcionalidades.

Protector de sobrecarga

Quando a ferramenta é sobrecarregada e a corrente passa acima de um determinado nível, a ferramenta pára automaticamente para proteger o motor.

Controlo de velocidade constante

Controlo electrónico de velocidade para obter uma velocidade constante. É possível obter um acabamento fino, uma vez que a velocidade de rotação é mantida constante, mesmo em condições de carga.

Funcionalidade de arranque suave

Arranque suave devido à eliminação do choque de arranque.

MONTAGEM

PRECAUÇÃO:

- Certifique-se sempre de que a ferramenta está desligada e com o fio desligado da corrente antes de efectuar qualquer trabalho com a ferramenta.

Armazenamento da chave sextavada (Fig. 17)

A chave sextavada é guardada na ferramenta. Para remover a chave sextavada, basta retirá-la.

Para instalar a chave sextavada, coloque-a no punho e introduza-a ao máximo.

Remover ou instalar a lâmina da serra

PRECAUÇÃO:

- Não utilize lâminas de serra que não estejam em conformidade com as características especificadas nestas instruções.
- Use apenas lâminas de serra com, no mínimo, a classificação para a velocidade máxima sem carga indicada em ESPECIFICAÇÕES.
- Certifique-se de que a lâmina está instalada com os dentes a apontar para a frente da ferramenta.
- Utilize apenas uma chave Makita para instalar ou remover a lâmina.

Para retirar a lâmina, pressione o botão de desbloqueio para desbloquear o batente de limite superior. (Fig. 18) Rode a alavanca de bloqueio para bloquear a cabeça da serra para substituir uma lâmina. (Fig. 19)

Com o botão de desbloqueio pressionado e a alavanca de bloqueio rodada, baixe a alavanca de forma a que o pino de bloqueio encaixe na ranhura formada pela alavanca de bloqueio e o guia de profundidade com a chapa de escala. Certifique-se de que o pino de bloqueio encaixa na ranhura.

Prima totalmente o bloqueio do eixo, de forma a que a lâmina não possa rodar e utilize a chave para soltar o

parafuso sextavado no sentido contrário ao dos ponteiros do relógio. De seguida, remova o parafuso sextavado, flange exterior e lâmina. (Fig. 20)

Para instalar a lâmina, siga o procedimento inverso de remoção. CERTIFIQUE-SE DE QUE APERTA BEM O PARAFUSO SEXTAVADO NO SENTIDO DOS PONTEIROS DO RELÓGIO. (Fig. 21)

Limpeza do resguardo da lâmina

Ao substituir a lâmina da serra circular, certifique-se de que também limpa o resguardo da lâmina do serrim acumulado, conforme debatido na secção Manutenção. Tais esforços não substituem a necessidade de verificar o funcionamento do resguardo antes de cada utilização.

Ligar a um aspirador (Fig. 22)

Quando pretender efectuar uma operação de corte limpo, ligue um aspirador Makita à sua ferramenta. Ligue um tubo flexível do aspirador à porta de pó, tal como indicado na ilustração.

FUNCIONAMENTO

Corte de secções (serragem normal) (Fig. 23)

PRECAUÇÃO:

- Certifique-se de que move suavemente a ferramenta para a frente numa linha recta. Forçar ou torcer a ferramenta resultará num sobreaquecimento do motor e recuos perigosos, causando possivelmente ferimentos graves.
- Nunca aproxime qualquer parte do corpo debaixo da base da ferramenta quando efectuar um corte de secções, especialmente no início. Caso contrário, poderá sofrer ferimentos graves. A lâmina está exposta debaixo da base da ferramenta.

Segure bem na ferramenta. A ferramenta é fornecida com um apoio dianteiro e pega traseira. Utilize ambos para agarrar bem a ferramenta. Se ambas a mãos estiverem a segurar a serra, não podem ser cortadas pela lâmina. Defina a frente da base na peça de trabalho a cortar, sem que a lâmina faça qualquer contacto. De seguida, prima o botão de desbloqueio e ligue a ferramenta e aguarde até que a lâmina atinja a velocidade máxima. De seguida, prima lentamente a cabeça da serra para a profundidade de corte predefinida e mova a ferramenta para a frente sobre a superfície da peça de trabalho, mantendo-a plana e avançando suavemente, até que a serragem esteja concluída.

Para obter cortes limpos, mantenha a linha de serra a direito e a velocidade de avanço uniforme. Se o corte não seguir de forma adequada a linha de corte pretendida, não tente rodar ou forçar a ferramenta novamente para a linha de corte. Ao fazê-lo poderá dobrar a lâmina e levar a recuos perigosos e possíveis ferimentos graves. Solte o interruptor, aguarde que a lâmina pare e retire a ferramenta. Realinhe a ferramenta numa nova linha de corte e comece outra vez a cortar. Tente evitar um posicionamento que exponha o operador a farpas e serrim que são ejetados da serra. Use protecção para os olhos para ajudar a evitar ferimentos.

Quando utilizar a calha de guia (acessório) (Fig. 24 e 25)

Coloque a ferramenta na parte posterior da calha de guia. Rode dois parafusos de regulação na base da ferramenta, de forma a que a ferramenta deslize suavemente, sem ruído. Segure bem na ferramenta. A ferramenta é fornecida com um apoio dianteiro e pega traseira. Utilize ambos para agarrar bem a ferramenta. Ligue a ferramenta, pressione a ferramenta para a profundidade predefinida e corte a protecção contra protecção contra farpas ao longo do comprimento completo com um só movimento. A extremidade da protecção contra farpas corresponde à extremidade de corte.

Quando fizer um corte de bisel com o carril de guia, deslize a alavanca corrediça na base da ferramenta, de forma a que a ferramenta não caia de lado.

Mova a alavanca corrediça na base da ferramenta na direcção da seta, de forma a que accione a ranhura de sub-corte no carril de guia.

Vedação para escarificação (guia paralela) (Acessório opcional) (Fig. 26)

A vedação para escarificação permite que faça cortes a direito bastante precisos. Basta deslizar a vedação para escarificação ao longo da peça de trabalho e fixe-a com os parafusos na frente e atrás da base. Possibilita igualmente que faça cortes repetidos com larguras uniformes.

Virar ao contrário a vedação para escarificação (régua de guia) também funciona como uma sub-base para a ferramenta.

Corte a fundo (recortar) (Fig. 27)

AVISO:

- Para evitar recuo, certifique-se de que observa as seguintes instruções.

Quando utilizar a ferramenta sem carril de guia

Coloque a ferramenta na peça de trabalho com a extremidade traseira da base da ferramenta contra um batente fixo ou equivalente que seja criado pelo operador.

Quando utilizar a ferramenta com carril de guia

Coloque o carril de guia na peça de trabalho com a extremidade traseira da base da ferramenta contra um batente fixo ou equivalente que esteja fixo ao carril de guia.

Segure firmemente a ferramenta com uma mão no punho dianteiro e a outra na pega da ferramenta. De seguida, prima o botão de desbloqueio e ligue a ferramenta e aguarde até que a lâmina atinja a velocidade máxima. Pressione lentamente a cabeça de serra para a profundidade predefinida de corte e mova a ferramenta para a frente, para a posição de corte a fundo pretendida.

NOTA:

- As marcas na parte lateral da protecção da lâmina mostram os pontos de corte atrás e à frente da lâmina de serra (A para diâmetro de 160 mm e B para diâmetro de 165 mm), na profundidade máxima de corte e utilizando o carril de guia. (Fig. 28)

Dispositivo guia (acessórios)

Utilizando o medidor de corte angular (acessório) permite cortes de ângulo exactos, com ângulos e conectores. A utilização do grampo (acessório) garante uma fixação segura da peça de trabalho na mesa.

MANUTENÇÃO

PRECAUÇÃO:

- Certifique-se sempre de que a ferramenta está desligada e o fio desligado da corrente antes de inspeccionar ou fazer a manutenção da ferramenta.
- **Limpe o resguardo para garantir que não existe serrim acumulado que possa impedir o funcionamento do sistema de proteção inferior.** Um sistema de resguardo sujo pode limitar o funcionamento adequado, o que pode resultar em ferimentos pessoais graves. A forma mais eficiente de efetuar esta limpeza é com ar comprimido. **Se estiver a limpar o pó do resguardo, certifique-se de que utiliza proteção ocular e respiratória adequada.**
- Nunca utilize gasolina, benzina, diluente, álcool ou semelhante. Podem formar-se descolorações, deformações ou fissuras.

Regular para precisão de cortes a 90° e 45° (corte vertical e de 45°) (Fig. 29 e 30)

Esta regulação foi feita na fábrica. Mas se estiver incorrecta, ajuste os parafusos de regulação com uma chave sextavada enquanto inspecciona 90° ou 45° da lâmina com a base, utilizando uma régua triangular ou régua quadrada, etc.

NOTA:

- Não é possível ajustar para precisão de corte de 22.5°, 48° e -1°.

Substituir as escovas de carvão (Fig. 31 e 32)

Remova e verifique regularmente as escovas de carvão. Substitua-as quando o desgaste atingir a marca limite. Mantenha-as limpas para poderem deslizar no porta-escovas.

Substitua as duas ao mesmo tempo. Utilize unicamente escovas de carvão idênticas.

Utilize uma chave de parafusos para remover as tampas do porta-escovas.

Retire as escovas usadas, coloque umas novas e volte e fixe as tampas dos porta-escovas.

Para manter os níveis de SEGURANÇA e FIABILIDADE definidos para este produto, as reparações e os procedimentos de manutenção ou ajustes devem ser executados por centros de assistência Makita autorizados, utilizando sempre peças de substituição Makita.

ACESSÓRIOS OPCIONAIS

⚠ PRECAUÇÃO:

- Os seguintes acessórios ou extensões são os recomendados para utilizar com a ferramenta Makita especificada neste manual. A utilização de quaisquer outros acessórios poderá representar um risco de ferimento para as pessoas. Apenas utilize o acessório para o fim indicado.

Se precisar de informações adicionais relativas aos acessórios, contacte o centro local de assistência Makita.

- Lâminas da serra
- Carril de guia
- Vedação para escarificação (guia paralela)
- Medidor de corte angular
- Fixador
- Chave sextavada
- Conjunto de folhas para o carril de guia
- Conjunto de folhas de borracha para o carril de guia
- Conjunto de folhas de posição para o carril de guia

NOTA:

- Alguns itens na lista podem estar incluídos no pacote de ferramentas como acessórios de série. Podem diferir de país para país.

Ruído

ENG905-1

Os níveis acústicos ponderados A típicos foram determinados segundo a EN62841-2-5:

Nível de pressão sonora ($L_{p(A)}$): 95 dB (A)

Nível de potência sonora ($L_{w(A)}$): 103 dB (A)

Imprecisão (K): 3 dB (A)

ENG907-1

- O(s) valor(es) da emissão de ruído indicado(s) foi medido de acordo com um método de teste padrão e pode ser utilizado para comparar duas ferramentas.
- O(s) valor(es) da emissão de ruído indicado(s) pode também ser utilizado na avaliação preliminar da exposição.

⚠ AVISO:

- **Utilize protetores auriculares.**
- **A emissão de ruído durante a utilização real da ferramenta elétrica pode diferir do(s) valor(es) indicado(s), dependendo das formas como a ferramenta é utilizada, especialmente o tipo de peça de trabalho que é processada.**
- **Certifique-se de identificar as medidas de segurança para proteção do operador que sejam baseadas em uma estimativa de exposição em condições reais de utilização (considerando todas as partes do ciclo de operação, tal como quando a ferramenta está desligada e quando está a funcionar em marcha lenta além do tempo de acionamento).**

Vibração

ENG900-1

O valor total da vibração (soma triaxial de vectores) foi determinado segundo a EN62841-2-5:

Modo de trabalho: cortar madeira

Emissão de vibração ($a_{h, w}$): 2,5 m/s² ou menos

Imprecisão (K): 1,5 m/s²

Modo de trabalho: corte de metal

Emissão de vibração ($a_{h, M}$): 2,5 m/s² ou menos

Imprecisão (K): 1,5 m/s²

ENG901-2

- O(s) valor(es) total(ais) de vibração indicado(s) foi medido de acordo com um método de teste padrão e pode ser utilizado para comparar duas ferramentas.
- O(s) valor(es) total(ais) de vibração indicado(s) pode também ser utilizado na avaliação preliminar da exposição.

 **AVISO:**

- **A emissão de vibração durante a utilização real da ferramenta elétrica pode diferir do(s) valor(es) indicado(s), dependendo das formas como a ferramenta é utilizada, especialmente o tipo de peça de trabalho que é processada.**
- **Certifique-se de identificar as medidas de segurança para proteção do operador que sejam baseadas em uma estimativa de exposição em condições reais de utilização (considerando todas as partes do ciclo de operação, tal como quando a ferramenta está desligada e quando está a funcionar em marcha lenta além do tempo de acionamento).**

Declarações de conformidade

Apenas para os países europeus

As Declarações de conformidade estão incluídas no Anexo A deste manual de instruções.

DANSK (Originalvejledning)

Forklaring til generel oversigt

- | | | |
|---------------------------------------|---------------------------------------|---------------------------------|
| 1. Tilspændingsskrue | 11. Låseknop | 22. Støvport |
| 2. Nederste grænsestopper til klingen | 12. Kontaktgreb | 23. Justeringsskruer |
| 3. Hurtigstop-knop | 13. Drejeknop til hastighedsjustering | 24. Glidestang |
| 4. Tilspændingsskrue | 14. Unbrakonøgle | 25. Parallelanslag (styrepind) |
| 5. Værktøjets basis | 15. Låsearm | 26. Bagende på værktøjets basis |
| 6. Fast anslag | 16. Skaftlås | 27. Fast stop |
| 7. Håndtag | 17. Sekskantskrue | 28. Justeringsskrue til 90° |
| 8. Bevægearm til skråsnitsvinkel | 18. Udvendig flange | 29. Justeringsskrue til 45° |
| 9. Basis | 19. Savklinge | 30. Slidgrænse |
| 10. Skærelinj | 20. Indvendig flange | 31. Skruetrækker |
| | 21. Støvsuger | 32. Kulholderdæksel |

SPECIFIKATIONER

| | | |
|--|---------------|-------|
| Model | SP6000 | |
| Klangediameter | 165 mm | |
| Maks. skæredybde | ved 90° | 56 mm |
| | ved 45° | 40 mm |
| | ved 48° | 38 mm |
| Hastighed uden belastning (min ⁻¹) | 2.200 – 6.400 | |
| Længde i alt | 341 mm | |
| Nettovægt | 4,1 kg | |
| Sikkerhedsklasse | □/II | |

- På grund af vores løbende forsknings- og udviklingsprogram kan specifikationerne heri ændres uden forudgående varsel.
- Specifikationerne kan variere fra land til land.
- Vægten kan muligvis afvige afhængigt af tilbehøret. Den letteste og tungeste kombination, ifølge EPTA-procedure 01/2014, er vist i tabellen.

Tilsigtet brug

ENE067-2

Værktøjet er særligt beregnet til at udføre indstikssnit. Værktøjet er også beregnet til længdeskærings- eller tværsnit i træ. Hvis værktøjet er udstyret med en korrekt rundsavsklinge, kan værktøjet anvendes til aluminiumsplader, plastikplader, plader til udvendig beklædning vægpaneler af metal.

Strømforsyning

ENF002-2

Værktøjet bør kun sluttes til en strømforsyning med den spænding, der er angivet på mærkepladen, og det kan kun benyttes med enkeltfaset vekselstrøm. Det er dobbelt isoleret og kan derfor også sluttes til stikkontakter uden jordforbindelse.

Almindelige sikkerhedsregler for el-værktøj

GEA010-2

⚠ ADVARSEL: Læs alle de sikkerhedsadvarsler, instruktioner, illustrationer og specifikationer, der følger med denne maskine. Forsømmelse af at overholde alle nedenstående instruktioner kan medføre elektrisk stød, brand og/eller alvorlig personskade.

Gem alle advarsler og instruktioner til fremtidig reference.

Ordet "el-værktøj" i advarslerne henviser til det netforsynede (netledning) el-værktøj eller batteriforsynede (akku) el-værktøj.

SIKKERHEDSADVARSLER FOR RUNDSAV

GEB144-3

Saveprocedurer

1. **⚠ FARE: Hold hænderne på afstand af skæreamrådet og klingens. Hold den anden hånd på det ekstra håndtag eller på motorhuset.** Hvis begge hænder holder på saven, kan de ikke blive skåret af klingens.
2. **Ræk ikke ind under arbejdsemnet.** Skærmen kan ikke beskytte dig mod klingens under arbejdsemnet.
3. **Justér skæredybden efter arbejdsemnets tykkelse.** Der skal være mindre end en hel tand af klingetænderne synlig under arbejdsemnet.
4. **Hold aldrig arbejdsemnet i hænderne eller hen over benet mens der skæres. Fastgør arbejdsemnet til en stabil platform.** Det er vigtigt at støtte arbejdsemnet korrekt for at minimere risiko for

personskade, binding af klingen eller tab af kontrol. (Fig. 1)

5. **Hold el-værktøjet i de isolerede gribeblader, når du udfører arbejde, hvor skæreværktøjet kan komme i kontakt med skjulte ledninger eller værktøjets egen ledning.** Kontakt med en strømførende ledning gør også udsatte metaldele på el-værktøjet strømførende, hvorved operatøren muligvis kan få elektrisk stød.
6. **Ved flæksavning skal der altid benyttes et parallelanslag eller en lige kantstøtte.** Derved bliver snittet mere nøjagtigt, og risikoen for, at klingen binder, reduceres.
7. **Brug altid klinger med den korrekte størrelse og udformning (diamant versus rund) af akselhuller.** Klinger, der ikke modsvarer savens monteringsdele, roterer skævt, og du kan miste kontrollen.
8. **Brug aldrig beskadigede eller forkerte spændeskiver eller bolte til klingene.** Spændeskiverne og boltene til klingene er specielt udviklet til saven med henblik på optimal ydelse og driftsikkerhed.

Årsager til tilbageslag og relaterede advarsler

- Tilbageslag er en pludselig reaktion på en fastklemt, blokeret eller forkert justeret savklinge, som kan medføre, at en ukontrolleret sav løftes opad og ud af arbejdsområdet i retning mod operatøren.
- Når klingene kommer i klemme eller er voldsomt blokeret, fordi savsnittet lukkes sammen, stopper klingene, og motorreaktionen støder apparatet hurtigt tilbage mod operatøren.
- Hvis klingene bliver vredet eller sidder skævt i snittet, kan tænderne bag på klingene skære sig ned i træets øverste overflade, så klingene løftes ud af savsnittet og springer tilbage mod operatøren.

Tilbageslag skyldes forkert brug af saven og/eller forkerte betjeningsprocedurer eller betingelser og kan undgås ved at træffe de nødvendige forsigtighedsregler som beskrevet nedenfor.

1. **Hold godt fast i saven med begge hænder, og placer armene, så de kan modstå tilbageslag. Placer kroppen på siden af klingene, ikke på linje med klingene.** Tilbageslag kan få saven til at springe tilbage, men tilbageslagskræfterne kan kontrolleres af operatøren, hvis de korrekte forholdsregler tages.
2. **Når klingene binder, eller når et snit afbrydes af andre årsager, skal du slippe kontaktpunktet og holde saven stille, indtil klingene står helt stille. Forsøg aldrig at tage saven ud af arbejdsområdet eller at trække saven baglæns, mens klingene bevæger sig, da dette kan medføre tilbageslag.** Se efter og tag modforholdsregler imod årsager til, at klingene binder.
3. **Når saven startes igen i arbejdsområdet, skal du centrere savklingen i savsnittet, så savtænderne ikke sidder fast i emnet.** Hvis en savklinge binder, kan den bevæge sig opad eller slå tilbage fra arbejdsområdet, når saven startes igen.
4. **Understøt store paneler for at reducere risikoen for, at klingene klemmes fast og forårsager tilbageslag.** Store paneler har tendens til at bøje under deres egen vægt. Der skal placeres støtter under panelet i begge sider, i nærheden af skæringslinjen og nær panelets kanter. (Fig. 2 og 3)

5. **Undgå at bruge uskarpe eller beskadigede klinger.** Uskarpe eller forkert monterede klinger giver smalle skæresnit, der forårsager ekstra friktion, fastklemning af klingene og tilbageslag.
6. **Låsehåndtagene til klingebyrde og skråsnitsvinkel skal sidde stramt og sikkert, før du laver snittet.** Hvis klingene flytter sig under skæringen, kan klingene binde og forårsage tilbageslag.
7. **Vær ekstra forsigtig, når du saver i eksisterende vægge eller andre områder, du ikke kan se igennem.** Den fremskudte klinge kan skære i genstande, der kan forårsage tilbageslag.
8. **Hold ALTID godt fast i værktøjet med begge hænder. Placer ALDRIG hånden, benet eller nogen andre dele af kroppen under værktøjets basis eller bag ved saven.** Dette gælder især, når der laves tværsnit. Hvis der opstår tilbageslag, kan saven nemt springe bagud hen over hånden, hvilket kan forårsage alvorlig personskade. (Fig. 4)
9. **Tving aldrig saven frem. Skub saven fremad ved en hastighed, hvor klingene skærer uden at køre langsommere.** Brug af magt kan medføre ujævne skæringer, tab af præcision og risiko for tilbageslag.

Klingebeskytterfunktion

1. **Kontroller, at klingebeskytteren lukker korrekt før hver brug. Anvend ikke saven, hvis klingebeskytteren ikke bevæger sig frit og lukkes med det samme. Fastlås eller bind aldrig klingebeskytteren så klingene blottet.** Hvis du utilsigtet taber saven, kan klingebeskytteren blive bøjet. Kontrollér at klingebeskytteren bevæger sig frit og ikke berører klingene eller andre dele, uanset skæringsvinkel og -dybde.
2. **Kontroller funktionen og tilstanden af klingebeskytterens tilbagetræksfjeder. Hvis klingebeskytteren og fjederen ikke fungerer korrekt, skal de repareres, før saven anvendes.** Klingebeskytteren kan fungere dårligt på grund af beskadigede dele, fastsiddende gummi eller ophobning af snavs.
3. **Kontroller, at savens grundplade ikke flytter sig, når der udføres et "indstik".** Hvis klingene flytter sig sidelæns, vil det medføre binding og sandsynligvis tilbageslag.
4. **Se altid efter, om klingebeskytteren dækker klingene, før saven stilles på arbejdsbænken eller gulvet.** En ubeskyttet frit kørende klinge vil få saven til at bevæge sig baglæns, mens den skærer i alt, hvad den kommer i kontakt med. Vær opmærksom på den tid, det tager for klingene at stoppe, efter at kontakten slippes.

Yderligere sikkerhedsadvarsler

1. **Vær ekstra forsigtig ved skæring i vådt træ, trykbehandlet træ eller træ, der indeholder knaster.** Før værktøjet jævnt frem uden nedsættelse af klinge-hastigheden for at undgå overophedning af klingspidser og, hvis der saves i plastik, for at undgå smeltning af plastikken.
2. **Undgå at fjerne afskåret materiale, så længe klingene bevæger sig. Vent til klingene er stoppet, før du tager fat i det afskårne materiale.** Knivene bevæger sig et stykke tid efter slukning.
3. **Undgå at skære i søm. Se efter og fjern alle søm fra træet, før du skærer.**

4. Sæt den brede del af savens basis mod den del af arbejdsemnet, der er understøttet solidt, ikke mod den del, der falder af, når snittet er færdigt. Fastspænd arbejdsemnet, hvis det er kort eller lille. **DU MÅ IKKE HOLDE KORTE ARBEJDSEMNER I HÅNDEN!** (Fig. 5)
5. Før du stiller værktøjet fra dig efter at have foretaget en skæring, skal du sikre dig, at klingebeskytteren er lukket, og at klingen er stoppet helt.
6. Forsøg aldrig at save med rundsaven fastspændt med bunden i vejret i en skruestik. Dette er ekstremt farligt og kan medføre alvorlige uheld. (Fig. 6)
7. Nogle materialer indeholder kemikalier, som kan være giftige. Sørg for, at undgå indånding af støv og kontakt med huden. Følg materialeleverandørens sikkerhedsdata.
8. Stop ikke klingerne ved at trykke på siden af savklingen.
9. Brug ikke silbeskiver.
10. Brug kun en savklinge med den diameter, som er markeret på værktøjet eller anført i vejledningen. Brug af en forkert størrelse klinge kan indvirke på den korrekte beskyttelse af klingens eller klingebeskytterens funktion, hvilket kan medføre alvorlig personskade.
11. Hold klingens skarp og ren. Gummi og tjære, der hærdes mod klingen, gør saven langsommere og forøger risikoen for tilbageslag. Hold klingens ren ved først at fjerne den fra værktøjet og derefter rense den med gummi- og tjærefjerner, varmt vand eller petroleum. Brug ikke benzin.
12. Bær støvmaske og høreværn, når værktøjet anvendes.
13. Brug altid savklinger som er beregnet til savning i det materiale, som du skal til at skære i.
14. Brug kun savklinger som er markeret med en hastighed svarende til eller højere end den hastighed, som er markeret på værktøjet.
15. (Kun for lande i Europa)
Brug altid klinger som er i overensstemmelse med EN847-1.

GEM DISSE INSTRUKTIONER.

⚠ ADVARSEL: LAD IKKE tryghed eller kendskab til produktet (fra gentagen brug) føre til, at du ikke strengt overholder sikkerhedsreglerne for det gældende produkt. MISBRUG eller manglende overholdelse af sikkerhedsreglerne i denne brugsanvisning kan medføre alvorlig personskade.

FUNKTIONSBESKRIVELSE

FORSIGTIG:

- Sørg altid for, at værktøjet er slukket, og at stikket er taget ud af stikkontakten, før De justerer værktøjet eller kontrollerer dets funktion.

Indstilling af skæredybde (Fig. 7)

FORSIGTIG:

- Spænd altid tilspændingsskruen godt, når skæredybden er indstillet.

Løsn tilspændingsskruen på dybdeguiden, og indstil den nederste grænsestopper til klingens til den ønskede dybde på skalapladen. Stram tilspændingsskruen godt ved den ønskede skæredybde.

De opnår renere og sikrere snit ved at indstille skæredybden, så der ikke stikker mere end én klingetand ud under arbejdsemnet. Anvendelse af den korrekte skæredybde hjælper med at reducere risikoen for farlige TILBAGESLAG, som kan forårsage personskade.

BEMÆRK:

- Der er mulighed for grov skæredybde, når den nederste grænsestopper indstilles til den ønskede dybde på skalapladen.
Mål savklingens faktiske fremspring under værktøjets basis for at opnå en præcis skæredybde.

Hurtigstop-knappen til skæredybde på 2 til 3 mm, når støtteskinne anvendes (tilbehør) (Fig. 8 og 9)

Når støtteskinne anvendes, har dette værktøj hurtigstop-knappen til skæredybde på 2 til 3 mm på gearhuset ved siden af det bageste håndtag. Støttekanten anvendes for at undgå splinter på arbejdsemnet i snittet. Lav et spor for det første snit på 2 til 3 mm, og lav derefter et spor for normalt snit.

Tryk stopknappen ind mod savklingen for at opnå en skæredybde på 2 til 3 mm. Denne funktion er god til at undgå splinter på arbejdsemnet.

Træk blot knappen tilbage for at frigøre skæredybden fra denne position og opnå fri skæredybde.

Skråsnit (Fig. 10)

For at vinkle mod højre (Fig. 11 og 12)

Drej det faste anslag således, at pilen på det står i en af to positioner (vertikalt 22,5°, horisontalt 45°). Løsn tilspændingsskruerne foran og bagpå. Drej da værktøjet til det stopper, og fastgør værktøjet med tilspændingsskruerne.

Flyt bevægearmen til 48°-markeringen så langt som muligt for en skråsnitsvinkel på 48°. Drej det faste anslag således, at pilen står i horisontal position. Drej da værktøjet til det stopper og fastgør værktøjet med tilspændingsskruerne.

For at vinkle mod venstre (Fig. 13)

Værktøjet kan vinkles 1° mod venstre til skråsnitsvinkler.

For venstrevinklede skråsnit løsn tilspændingsskruerne foran og bagpå, drej håndtaget på værktøjet en anelse mod højre og skub to bevægearme samtidigt til skråsnitsvinkel i retning af pilen, der er markeret med -1. Og drej derefter håndtaget på værktøjet til venstre, mens du skubber disse to håndtag på samme tid. Fastgør værktøjet med tilspændingsskruerne.

BEMÆRK:

- Bevægearmen vender automatisk tilbage til 0°, når klingens drejningsretning til ret vinkel.

Indstilling (Fig. 14)

Ved brug af værktøjet uden støtteskinne (tilbehør)

Ved lige snit justeres positionen A forrest på basen med skærelinjen. For skråsnit på 45° justeres positionen B med den.

Ved brug af værktøjet med støtteskinne (tilbehør)

Både ved lige snit og vinkelsnit på 45° justeres positionen A altid forrest på basen med skærelinjen.

Betjening af kontakt (Fig. 15)

FORSIGTIG:

- Før værktøjet tilsluttes, skal De altid kontrollere, at kontaktgrebet reagerer korrekt og vender tilbage i "OFF"-stillingen, når De slipper det.

En låseknop forhindrer, at kontaktgrebet trækkes op ved et uheld. Værktøjet startes ved at trykke låseknappen ind og trække kontaktgrebet op.

Slip kontaktgrebet for at stoppe.

Drejeknap til hastighedsjustering (Fig. 16)

Værktøjets hastighed kan justeres ved at dreje på drejeknappen til justering. Der opnås en højere hastighed ved at dreje knappen mod tallet 6, og der opnås en lavere hastighed ved at dreje knappen mod tallet 1.

Se tabellen for at vælge den rette hastighed til at skære arbejdsemnet. Den rette hastighed kan dog variere i forhold til arbejdsemnets type og tykkelse. Generelt gør højere hastigheder det muligt at skære arbejdsemnerne hurtigere, men klingens levetid forkortes.

| Antal | min. ⁻¹ |
|-------|--------------------|
| 1 | 2.200 |
| 2 | 2.700 |
| 3 | 3.800 |
| 4 | 4.900 |
| 5 | 6.000 |
| 6 | 6.400 |

015770

FORSIGTIG:

- Drejeknappen til hastighedsjustering kan kun drejes op til 6 og tilbage til 1. Prøv ikke at tvinge den forbi 6 eller 1, da hastighedsjusteringen ellers kan gå i stykker.
- Knappen til hastighedsjustering er ikke til brug af savklinger, der er normeret til lave hastigheder, men til at opnå den hastighed, der egner sig til et pågældende arbejdsemnes materiale. Brug kun savklinger som mindst er normeret til den maksimale hastighed uden belastning, der er anført under SPECIFIKATIONER.

De værktøjer, som er forsynet med elektronisk funktionalitet er nemme at betjene, hvilket skyldes følgende funktioner.

Overbelastningsbeskyttelse

Når dette værktøj overbelastes, og strømmen overstiger et vist niveau, stopper værktøjet automatisk for at beskytte motoren.

Styring af konstant hastighed

Elektronisk styring af hastigheden gør det muligt at få en konstant hastighed. Det er muligt at få en pæn finish, fordi omdrejningshastigheden holdes konstant, selv når det er under en belastning.

Funktion til blød start

Blød start, fordi startvibrationen dæmpes.

MONTERING

FORSIGTIG:

- Sørg altid for, at værktøjet er slukket og taget ud af stikkontakten, før De udfører nogen form for arbejde på værktøjet.

Opbevaring af unbrakonøgle (Fig. 17)

Unbrakonøgle opbevares i værktøjet. Træk blot i unbrakonøglen for at tage den af.

For at montere unbrakonøglen skal den placeres på håndtaget og føres så langt ind, som den kan komme.

Afmontering eller montering af savklingen

FORSIGTIG:

- Brug ikke savklinger, som ikke er i overensstemmelse med de egenskaber, som er angivet i disse instruktioner.
- Brug kun savklinger som mindst er normeret til den maksimale hastighed uden belastning, der er anført under SPECIFIKATIONER.
- Sørg for, at klingens er monteret, så tænderne peger opad foran på værktøjet.
- Anvend kun den medfølgende Makita-skruenøgle til at montere eller afmontere klingens.

Fjern klingens ved at skubbe låseknappen, så den øvre grænsestopper låses op. (Fig. 18)

Drej låsehåndtaget for at låse savhovedet, når en klinge skal udskiftes. (Fig. 19)

Med låseknappen nede og låsehåndtaget drejet rundt skal håndtaget sænkes, så låsependen passer i den rille, som dannes af låsehåndtaget og dybdeguiden med skalaplade. Sørg for, at låsependen passer i rillen. Tryk skaftlåsen helt ned, så klingens ikke kan dreje, og anvend skruenøglen til at løse sekskantmøtrikken mod urets retning. Fjern derefter sekskantmøtrikken, den udvendige flange og klingens. (Fig. 20)

Følg fremgangsmåden til afmontering i omvendt rækkefølge for at montere klingens. SØRG FOR AT SPÆNDE SEKSKANTMØTRIKKEN FAST TIL IMOD URET. (Fig. 21)

Rengøring af beskyttelsesskærm

Når du skifter rundsavklingen, skal du sørge for også at rengøre beskyttelsesskærmen for ophobet savsmuld som nævnt i afsnittet Vedligeholdelse. Du skal stadig kontrollere skærmens funktion, hver gang maskinen skal anvendes.

Tilslutning til støvsuger (Fig. 22)

Hvis De vil skære og holde arbejdsområdet rent, kan De tilslutte en Makita-støvsuger til værktøjet. Slut derefter støvsugerslangen til støvporten som vist i figuren.

BETJENING

Sektionsudskæring (almindelig savning) (Fig. 23)

FORSIGTIG:

- Sørg for at flytte værktøjet lige fremad uden at bruge magt. Hvis værktøjet tvinges eller vrides, kan det

medføre overophedning af motoren og farligt tilbageslag, som kan føre til alvorlig personskade.

- Placer aldrig en del af din krop under værktøjets basis ved sektionsudskæring, og det gælder især i starten. Dette kan medføre alvorlig personskade. Klingen er blottet under værktøjets basis.

Hold godt fast i værktøjet. Værktøjet har både et greb foran og et håndtag bagpå. Hold værktøjet med begge hænder. Hvis begge hænder holder på saven, kan de ikke blive skåret af klingen. Placer fronten af basen på det arbejdsområde, der skal skæres i, uden at klingen berører arbejdsområdet. Skub derefter låseknappen ind, og tænd værktøjet og vent, indtil klingen når fuld hastighed. Tryk derefter savhovedet langsomt ned til den forindstillede skæredybde, og flyt derefter blot værktøjet fremad over arbejdsområdet, samtidig med at det holdes fladt og har en jævn fremadføring, indtil savningen er overstået.

De opnår rene snit ved at holde savelinjen lige og flytte værktøjet med jævn hastighed. Forsøg ikke at dreje eller tvinge værktøjet tilbage til skæringslinjen, hvis snittet ikke følger den ønskede skæringslinje. Hvis De gør dette, kan klingen komme i klemme, hvilket kan medføre farligt tilbageslag med risiko for alvorlig personskade. Slip kontakten, vent, til klingen er stoppet, og tag derefter værktøjet ud. Juster værktøjet med den nye skæringslinje, og start skæringen igen. Sørg for at placere dig, så du ikke bliver udsat for de spåner og støv, der udstødes fra saven. Bær øjenbeskyttelse for at undgå personskade.

Ved brug af støtteskinne (tilbehør) (Fig. 24 og 25)

Placer værktøjet i bagenden af støtteskinne. Drej to justeringskruer på værktøjets basis, så værktøjet glider jævnt uden at larme. Hold godt fast i værktøjet. Værktøjet har både et greb foran og et håndtag bagpå. Hold værktøjet med begge hænder. Drej værktøjet, hold værktøjet nede til den forindstillede skæredybde og skær splinterguard'en langs den fuld længde med et strøg. Kanten af splinterguard'en svarer til skærekanten. Når der skal skæres skævt med støtteskinne skal glidestanden på værktøjets basis skubbes, så værktøjet ikke falder ned på siden.

Flyt glidestanden på værktøjets basis i retning af pilen, så den går i indgreb med underskæringsrillen i støtteskinne.

Parallelanslag (styrepind) (Ekstratilbehør) (Fig. 26)

Med det praktiske parallelanslag kan De udføre ekstremt præcise lige skæringer. Skub parallelanslaget mod siden af arbejdsområdet, og fastgør det med skrueerne foran og bag på værktøjets basis. Det gør det også muligt at foretage flere skæringer med ens bredde.

Overdrejning af parallelanslag (styrepind) fungerer også som en underbasis for værktøjet.

Indstikssnit (udskæring) (Fig. 27)

ADVARSEL:

- For at undgå tilbageslag skal følgende instruktioner overholdes.

Ved brug af værktøjet uden støtteskinne

Placer værktøjet på arbejdsområdet med bagkanten af værktøjets basis mod et fast stop eller tilsvarende, som er lavet af brugeren.

Ved brug af værktøjet med støtteskinne

Placer værktøjet på støtteskinne med bagkanten af værktøjets basis mod et fast stop eller tilsvarende, som er sat fast på støtteskinne.

Hold godt fast i værktøjet med en hånd på grebet foran og den anden på værktøjshåndtaget. Skub derefter låseknappen ind, og tænd værktøjet og vent, indtil klingen når fuld hastighed. Tryk nu savhovedet langsomt ned til den forindstillede skæredybde, og flyt blot værktøjet fremad mod den ønskede indstikksposition.

BEMÆRK:

- Markeringerne på siden af klingebeskytteren viser savklængdens forreste og bageste skærepunkter (A for 160 mm i diameter og B for 165 mm i diameter) ved den maksimale skæredybde og ved hjælp af støtteskinne. (Fig. 28)

Støtteenhed (tilbehør)

Brug af geringskælen (tilbehør) gør det muligt at udføre præcise geringsnit med vinkler og monteringsarbejde. Brug af fastholderen (tilbehør) sikrer, at arbejdsområdet holdes godt fast på bordet.

VEDLIGEHOLDELSE

FORSIGTIG:

- Sørg altid for, at værktøjet er slukket, og at stikket er taget ud, før De forsøger at udføre inspektion eller vedligeholdelse.
- Rengør skærmen for at sikre, at der ikke har ophobet sig savsmuld, som muligvis kan være til hindring for funktionen af beskyttelsessystemet. Et beskidt beskyttelsessystem kan begrænse den korrekte funktion, hvilket kan medføre alvorlig personskade. Den mest effektive måde at foretage denne rengøring på, er at anvende trykluft. Hvis støvet blæses ud af skærmen, skal du sørge for at anvende ordentlig øjen- og åndedrætsbeskyttelse.
- Brug aldrig benzin, benzen, fortynder, alkohol eller lignende. Det kan muligvis medføre misfarvning, deformation eller revner.

Justering til nøjagtige skæringsvinkler på 90° og 45° (lodret og 45°-skæring) (Fig. 29 og 30)

Denne justering er udført på fabrikken. Hvis justeringen er unøjagtig, skal De indstille justeringskruerne med en unbrakonøgle, mens de 90° eller 45° kontrolleres med klingen og basis ved hjælp af en trekantlineal, en firkantlineal e.l.

BEMÆRK:

- Justering af nøjagtighed af snit på 22,5°, 48° og -1° kan ikke udføres.

Udskiftning af kulbørsterne (Fig. 31 og 32)

Tag regelmæssigt kulbørsterne af, og efterse dem. Udskift dem, når de er nedslidt til slidgrænsen. Hold kulbørsterne rene og frie til at glide i holderne. Begge kulbørster skal udskiftes samtidig. Brug altid identiske kulbørster. Brug en skruetrækker til at fjerne kulholderdækslerne. Tag de udslidte kulbørster ud, monter de nye, og fastgør kulholderdækslerne.

For at holde produktet SIKKERT og PÅLIDELIGT skal reparationer samt al anden vedligeholdelse eller justering udføres af autoriserede Makita-servicecentre, og der skal altid benyttes Makita-reservedele.

Usikkerhed (K): 1,5 m/s²

Arbejdstilstand: skæring i metal

Vibrationsemission ($a_{h,M}$): 2,5 m/s² eller mindre

Usikkerhed (K): 1,5 m/s²

EKSTRAUDSTYR

ENG901-2

⚠ FORSIGTIG:

- Dette tilbehør eller ekstraudstyr anbefales til brug med det Makita-værktøj, som er beskrevet i denne brugsanvisning. Brug af andet tilbehør eller ekstraudstyr kan forårsage personskade. Brug kun tilbehør eller ekstraudstyr til det formål, det er beregnet til.

Henvend dig til dit lokale Makita-servicecenter, hvis du har brug for hjælp eller yderligere oplysninger vedrørende tilbehøret.

- Savklinger
- Støtteskinne
- Parallellanslag (styrepind)
- Geringskala
- Fastholder
- Unbrakonøgle
- Pladesæt til støtteskinne
- Gummipladesæt til støtteskinne
- Placering af pladesæt til støtteskinne

BEMÆRK:

- Visse dele på listen er muligvis indeholdt maskinindpakningen som standardtilbehør. De kan variere fra land til land.

Støj

ENG905-1

Det typiske A-vægtede støjniveau bestemt i overensstemmelse med EN62841-2-5:

Lydtryksniveau (L_{pA}): 95 dB (A)

Lydeffektniveau (L_{WA}): 103 dB (A)

Usikkerhed (K): 3 dB (A)

ENG907-1

- De(n) angivne støjemissionsværdi(er) er målt i overensstemmelse med en standardtestmetode og kan anvendes til at sammenligne en maskine med en anden.
- De(n) angivne støjemissionsværdi(er) kan også anvendes i en præliminær eksponeringsvurdering.

⚠ ADVARSEL:

- **Bær høreværn.**
- **Støjemissionen under den faktiske anvendelse af maskinen kan være forskellig fra de(n) angivne værdi(er), afhængigt af den måde hvorpå maskinen anvendes, især den type arbejdsemne der behandles.**
- **Sørg for at identificere de sikkerhedsforskrifter til beskyttelse af operatøren, som er baseret på en vurdering af eksponering under de faktiske brugsforhold (med hensyntagen til alle dele i brugscyklussen, f.eks. de gange, hvor maskinen er slukket, og når den kører i tomgang i tilgift til afbrydertiden).**

Vibration

ENG900-1

Den samlede vibrationsværdi (treaksiel vektorsum)

bestemt i overensstemmelse med EN62841-2-5:

Arbejdstilstand: savning i træ

Vibrationsemission ($a_{h,W}$): 2,5 m/s² eller mindre

- De(n) angivne totalværdi(er) for vibration er målt i overensstemmelse med en standardtestmetode og kan anvendes til at sammenligne en maskine med en anden.
- De(n) angivne totalværdi(er) for vibration kan også anvendes i en præliminær eksponeringsvurdering.

⚠ ADVARSEL:

- **Vibrationsemissionen under den faktiske anvendelse af maskinen kan være forskellig fra de(n) angivne værdi(er), afhængigt af den måde hvorpå maskinen anvendes, især den type arbejdsemne der behandles.**
- **Sørg for at identificere de sikkerhedsforskrifter til beskyttelse af operatøren, som er baseret på en vurdering af eksponering under de faktiske brugsforhold (med hensyntagen til alle dele i brugscyklussen, f.eks. de gange, hvor maskinen er slukket, og når den kører i tomgang i tilgift til afbrydertiden).**

Overensstemmelseserklæringer

Kun for lande i Europa

Overensstemmelseserklæringerne er inkluderet i Bilag A i denne brugsanvisning.

ΕΛΛΗΝΙΚΑ (Πρωτογενείς οδηγίες)

Περιγραφή γενικής όψης

1. Βίδα συγκράτησης
2. Στοπ κάτω ορίου δίσκου
3. Κουμπί ταχείας διακοπής
4. Βίδες συγκράτησης
5. Βάση εργαλείου
6. Θετικό στοπ
7. Μοχλός
8. Μοχλός αλλαγής γωνίας λοξοτομής
9. Βάση
10. Γραμμή κοπής
11. Κουμπί ασφάλισης
12. Σκανδάλη-διακόπτης
13. Επιλογέας ρύθμισης ταχύτητας
14. Εξαγωνικό άλεν
15. Μοχλός κλειδώματος
16. Κλειδώμα άξονα
17. Εξαγωνικό μπουλόνι
18. Εξωτερική φλάντζα
19. Δίσκος
20. Εσωτερική φλάντζα
21. Ηλεκτρική σκούπα
22. Θύρα σκόνης
23. Βίδες ρύθμισης
24. Κυλιόμενος μοχλός
25. Οδηγός κομματιού (Οδηγός χάρακας)
26. Πίσω άκρο της βάσης εργαλείου
27. Σταθερό στοπ
28. Βίδα ρύθμισης για 90°
29. Βίδα ρύθμισης για 45°
30. Ένδειξη ορίου
31. Καταβίβι
32. Καπάκι υποδοχής για το καρβουνάκι

ΤΕΧΝΙΚΑ ΧΑΡΑΚΤΗΡΙΣΤΙΚΑ

| | | |
|--|----------|---------------|
| Μοντέλο | | SP6000 |
| Διάμετρος δίσκου | | 165 mm |
| Μέγιστο βάθος κοπής | στις 90° | 56 mm |
| | στις 45° | 40 mm |
| | στις 48° | 38 mm |
| Ταχύτητα χωρίς φορτίο (min ⁻¹) | | 2.200 - 6.400 |
| Ολικό μήκος | | 341 mm |
| Καθαρό βάρος | | 4,1 kg |
| Τάξη ασφάλειας | | II/III |

- Λόγω του συνεχόμενου προγράμματος που εφαρμόζουμε για έρευνα και ανάπτυξη, τα τεχνικά χαρακτηριστικά στο παρόν έντυπο υπόκεινται σε αλλαγή χωρίς προειδοποίηση.
- Τα τεχνικά χαρακτηριστικά ενδέχεται να διαφέρουν ανάλογα με τη χώρα.
- Το βάρος μπορεί να διαφέρει αναλόγως του προσαρτήματος(ων) Ο ελαφρύτερος και ο βαρύτερος συνδυασμός, σύμφωνα με τη Διαδικασία-ΕΡΤΑ 01/2014, εμφανίζονται στον πίνακα.

Προοριζόμενη χρήση

ENE067-2

Το εργαλείο προορίζεται ειδικά για την πραγματοποίηση βαθιών κοπών. Το εργαλείο προορίζεται επίσης για κατά μήκος και εγκάρσιες κοπές σε ξύλο. Εάν το εργαλείο είναι εξοπλισμένο με τον κατάλληλο κυκλικό δίσκο, το εργαλείο μπορεί να χρησιμοποιηθεί για φύλλα αλουμινίου, φύλλα πλαστικού, επιτοιχίες πλάκες, και μεταλλικές πλάκες τοίχων.

Ηλεκτρική παροχή

ENF002-2

Το εργαλείο πρέπει να συνδέεται μόνο σε ηλεκτρική παροχή της ίδιας τάσης με αυτήν που αναγράφεται στην πινακίδα ονομαστικών τιμών και μπορεί να λειτουργήσει μόνο με εναλλασσόμενο μονοφασικό ρεύμα. Τα εργαλεία αυτά διαθέτουν διπλή μόνωση και συνεπώς μπορούν να συνδεθούν με πρίζες χωρίς γείωση.

Γενικές προειδοποιήσεις ασφαλείας για το ηλεκτρικό εργαλείο

GEA010-2

⚠ ΠΡΟΕΙΔΟΠΟΙΗΣΗ: Διαβάστε όλες τις προειδοποιήσεις ασφαλείας, οδηγίες, εικονογραφήσεις και προδιαγραφές που παρέχονται με αυτό το ηλεκτρικό εργαλείο. Η μη τήρηση όλων των οδηγιών που αναγράφονται κατωτέρω μπορεί να

καταλήξει σε ηλεκτροπληξία, πυρκαγιά ή/και σοβαρό τραυματισμό.

Φυλάξτε όλες τις προειδοποιήσεις και τις οδηγίες για μελλοντική παραπομπή.

Στις προειδοποιήσεις, ο όρος “ηλεκτρικό εργαλείο” αναφέρεται σε ηλεκτρικό εργαλείο που τροφοδοτείται από την κύρια παροχή ηλεκτρικού ρεύματος (με ηλεκτρικό καλώδιο) ή σε ηλεκτρικό εργαλείο που τροφοδοτείται από μπαταρία (χωρίς ηλεκτρικό καλώδιο).

ΠΡΟΕΙΔΟΠΟΙΗΣΕΙΣ ΑΣΦΑΛΕΙΑΣ ΔΙΣΚΟΠΡΙΟΝΟΥ

GEB144-3

Διαδικασίες κοπής

1. **⚠ ΚΙΝΔΥΝΟΣ:** Να κρατάτε τα χέρια σας μακριά από την περιοχή κοπής και τον δίσκο. Να κρατάτε τη βοηθητική λαβή ή το περίβλημα του κινητήρα με το άλλο σας χέρι. Εάν κρατάτε το δισκοπρίονο και με τα δύο χέρια, δεν είναι δυνατόν να κοπούν από τον δίσκο.
2. **Μην πιάνετε το τεμάχιο εργασίας από την κάτω πλευρά.** Το προστατευτικό δεν σας παρέχει

προστασία από τον δίσκο κάτω από το τεμάχιο εργασίας.

- 3. Ρυθμίστε το βάθος κοπής ανάλογα με το πάχος του τεμαχίου εργασίας.** Δεν θα πρέπει να είναι ορατά ολόκληρα τα δόντια του δίσκου κάτω από το τεμάχιο εργασίας.
- 4. Μην κρατάτε ποτέ το τεμάχιο εργασίας στα χέρια σας ή πάνω στα πόδια σας κατά την κοπή. Ασφαλίστε το τεμάχιο εργασίας σε μια σταθερή βάση.** Είναι σημαντικό να στηρίζεται σωστά το τεμάχιο εργασίας για να ελαχιστοποιείται η έκθεση του σώματος, η παρεμπόδιση της κίνησης του δίσκου ή η απώλεια ελέγχου. (Εικ. 1)
- 5. Να κρατάτε το ηλεκτρικό εργαλείο από τις μονωμένες λαβές όταν εκτελείτε εργασίες κατά τις οποίες το κοπτικό εργαλείο μπορεί να έρθει σε επαφή με κρυμμένα καλώδια ή με το ίδιο του το καλώδιο.** Αν υπάρξει επαφή με κάποιο ηλεκτροφόρο καλώδιο, τα εκτεθειμένα μεταλλικά μέρη του ηλεκτρικού εργαλείου θα γίνουν κι αυτά ηλεκτροφόρα και μπορεί να προκληθεί ηλεκτροπληξία στο χειριστή.
- 6. Όταν εκτελείτε κατά μήκος κοπή, να χρησιμοποιείτε πάντοτε προστατευτικό κοπής ή οδηγό με ευθύγραμμη ακμή.** Έτσι, βελτιώνεται η ακρίβεια της κοπής και μειώνεται η πιθανότητα να παρεμποδιστεί η κίνηση του δίσκου.
- 7. Να χρησιμοποιείτε πάντοτε δίσκους με οπές στερέωσης σωστού μεγέθους και σχήματος (σχήμα διαμαντιού έναντι στρογγυλού σχήματος).** Οι δίσκοι που δεν ταιριάζουν με το σύστημα στερέωσης του δισκοπρίνου θα παρουσιάζουν έκκεντρη περιστροφή, προκαλώντας απώλεια ελέγχου.
- 8. Μη χρησιμοποιείτε ποτέ στο δίσκο ροδέλες ή μπουλόνια που είναι κατεστραμμένα ή λανθασμένου μεγέθους.** Οι ροδέλες και τα μπουλόνια του δίσκου είναι ειδικά σχεδιασμένα για το δισκοπρίνό σας, έτσι ώστε να παρέχουν βέλτιστη απόδοση και ασφάλεια λειτουργίας.

Αιτίες κλώσηματος και σχετικές προειδοποιήσεις

- το κλώσημα είναι μια ξαφνική αντίδραση που προκαλεί την ανεξέλεγκτη ανύψωση του δισκοπρίνου έξω από το τεμάχιο εργασίας και προς τον χειριστή, όταν ο δίσκος είναι μπλοκαρισμένος, σφηνωμένος ή έχει λανθασμένη ευθυγράμμιση,
- όταν ο δίσκος είναι μπλοκαρισμένος ή σφηνωμένος σφίχτα από την εγκοπή, ακινητοποιείται και η αντίδραση του μοτέρ οδηγεί το εργαλείο με ταχύτητα προς τα πίσω και προς τη μεριά του χειριστή,
- εάν ο δίσκος στρεβλώσει ή ευθυγραμμιστεί λάθος κατά την κοπή, τα δόντια στο πίσω μέρος του δίσκου μπορεί να σκάσουν μέσα στην επάνω επιφάνεια του ξύλου και έτσι ο δίσκος να βγει από την εγκοπή και να αναπηδήσει προς τη μεριά του χειριστή.

Το κλώσημα προκαλείται όταν το δισκοπρίνο χρησιμοποιείται λανθασμένα ή/και όταν οι διαδικασίες ή οι συνθήκες λειτουργίας είναι λανθασμένες και μπορεί να αποφευχθεί αν ληφθούν οι κατάλληλες προφυλάξεις που αναφέρονται παρακάτω.

- 1. Να κρατάτε το δισκοπρίνο γερά και με τα δύο χέρια και να τοποθετείτε τους βραχιόνες σας με τρόπο ώστε να αντιστέκονται στις δυνάμεις κλώσηματος. Να τοποθετείτε το σώμα στη μια από τις δυο πλευρές του δίσκου, αλλά όχι στην**

ίδια ευθεία με το δίσκο. Το κλώσημα μπορεί να προκαλέσει την αναπήδηση του δισκοπρίνου προς τα πίσω, αλλά ο χειριστής μπορεί να ελέγξει το κλώσημα αν λάβει τις κατάλληλες προφυλάξεις.

- 2. Όταν παρεμποδίζεται η κίνηση του δίσκου ή όταν διακόπτεται η κοπή για οποιοδήποτε λόγο, αφήστε τη σκανδάλη και κρατήστε ακίνητο το δισκοπρίνο μέσα στο υλικό έως ότου ακινητοποιηθεί ο δίσκος εντελώς. Μη δοκιμάσετε ποτέ να βγάλετε το δισκοπρίνο από το τεμάχιο εργασίας ούτε να το τραβήξετε προς τα πίσω όταν ο δίσκος κινείται, επειδή το εργαλείο μπορεί να κλωσήσει.** Διευρύνστε την αία για την οποία παρεμποδίζεται η κίνηση του δίσκου και λάβετε διορθωτικά μέτρα.
- 3. Όταν ξεκινάτε ξανά το δισκοπρίνο μέσα στο τεμάχιο εργασίας, κεντράρετε τον δίσκο στην εγκοπή έτσι ώστε τα δόντια του δίσκου δεν έρχονται σε επαφή με το υλικό.** Αν παρεμποδίζεται η κίνηση του δίσκου, το εργαλείο μπορεί να αναπηδήσει από το τεμάχιο εργασίας ή να κλωσήσει όταν το θέσετε ξανά σε λειτουργία.
- 4. Πρέπει να στηρίζετε κατάλληλα τα μεγάλα φύλλα για να ελαχιστοποιείτε τον κίνδυνο παρεμπόδισης της κίνησης του δίσκου και του κλωσήματος.** Τα μεγάλα φύλλα τείνουν να βαθουλώνουν από το ίδιο τους το βάρος. Πρέπει να τοποθετείτε στηρίγματα κάτω από τα φύλλα και στις δύο πλευρές, κοντά στη γραμμή κοπής και κοντά στην άκρη του φύλλου. (Εικ. 2 και 3)
- 5. Μη χρησιμοποιείτε δίσκους που δεν είναι κοφτεροί ή που είναι κατεστραμμένοι.** Οι δίσκοι που δεν είναι κοφτεροί ή που έχουν τοποθετηθεί λανθασμένα, δημιουργούν στενές εγκοπές, οι οποίες οδηγούν σε υπερβολική τριβή, παρεμπόδιση της κίνησης των δίσκων και κλώσημα.
- 6. Οι μοχλοί ασφάλισης του βάθους του δίσκου και της ρύθμισης της λοξοτομής πρέπει να είναι σφιγμένοι και ασφαλισμένοι πριν από την κοπή.** Αν η ρύθμιση του δίσκου μετακινήσει κατά το πρίονισμα, μπορεί να εμποδιστεί η κίνηση του δίσκου και να προκληθεί κλώσημα.
- 7. Δώστε ιδιαίτερη προσοχή κατά το πρίονισμα σε υπάρχοντες τοίχους ή σε άλλες περιοχές για τις οποίες δεν γνωρίζετε τι κρύβουν στο εσωτερικό τους.** Εάν ο δίσκος προεξέχει, μπορεί να κόψει αντικείμενα που μπορούν να οδηγήσουν σε κλώσημα.
- 8. Να κρατάτε ΠΑΝΤΑ το εργαλείο καλά και με τα δύο χέρια. Μην τοποθετείτε ΠΟΤΕ τα χέρια σας, τα πόδια σας ή οποιοδήποτε μέρος του σώματός σας κάτω από τη βάση εργαλείου ή πίσω από το δίσκο, ιδιαίτερα όταν κάνετε διαγώνιες κοπές.** Αν συμβεί κλώσημα, το δισκοπρίνο μπορεί να πεταχτεί προς τα πίσω και πάνω στο χέρι σας με πιθανότητα πρόκλησης σοβαρού τραυματισμού. (Εικ. 4)
- 9. Μη ζορίζετε ποτέ το δισκοπρίνο. Να σπρώχνετε το δισκοπρίνο προς τα μπροστά με τέτοια ταχύτητα ώστε ο δίσκος να κόβει χωρίς να επιβραδύνει.** Αν ζορίζετε το δισκοπρίνο μπορεί να προκληθούν ανομοιόμορφες κοπές, απώλεια ακρίβειας και πιθανώς κλώσημα.

Λειτουργία προστατευτικού

1. **Ελέγξτε αν το προστατευτικό κλείνει σωστά πριν από κάθε χρήση. Μη θέτετε σε λειτουργία το δισκοπρίονο αν το προστατευτικό δεν κινείται ελεύθερα και δεν περιβάλλει αμέσως το δίσκο. Μη συγκρατείτε και μη δένετε ποτέ το προστατευτικό για να είναι εκτεθειμένος ο δίσκος.** Αν το δισκοπρίονο πέσει κάτω κατά λάθος, το προστατευτικό μπορεί να λυγίσει. Ελέγξτε για να βεβαιωθείτε ότι το προστατευτικό κινείται ελεύθερα και δεν ακουμπά το δίσκο ή κάποιο άλλο μέρος, σε όλες τις γωνίες και βάθη κοπής.
2. **Ελέγξτε τη λειτουργία και την κατάσταση του ελατηρίου επιστροφής του προστατευτικού. Αν το προστατευτικό και το ελατήριο δεν λειτουργούν σωστά, πρέπει να επισκευαστούν πριν από τη χρήση.** Το προστατευτικό μπορεί να λειτουργεί με αργό ρυθμό αν υπάρχουν κατεστραμμένα μέρη, κολλώδεις εναποθέσεις ή συσσώρευση υπολειμμάτων κοπής.
3. **Βεβαιωθείτε ότι η πλάκα βάσης του πριονιού δεν θα μεταποτιστεί ενώ πραγματοποιείται “βαθιά κοπή”.** Η πλάγια μετατόπιση της λάμας θα προκαλέσει το πιάσιμό της και πιθανώς κλότσημα.
4. **Να παρατηρείτε πάντα ότι το προστατευτικό καλύπτει το δίσκο πριν τοποθετήσετε το δισκοπρίονο σε πάγκο ή στο πάτωμα.** Εάν ο δίσκος δεν προστατεύεται και κινείται ελεύθερα, το δισκοπρίονο θα κινηθεί προς τα πίσω, κόβοντας ό,τι βρεθεί στο δρόμο του. Λάβετε υπόψη σας το χρόνο που χρειάζεται ο δίσκος για να ακινητοποιηθεί αφότου ελευθερώσετε τον διακόπτη.

Επιπρόσθετες προειδοποιήσεις ασφαλείας

1. **Να προσέχετε ιδιαίτερα όταν κόβετε νωπό ξύλο, ξυλεία που έχει υποστεί επεξεργασία με πίεση ή ξύλο με ρόζους.** Προωθείτε ομαλά το εργαλείο χωρίς να μειώνεται η ταχύτητα του δίσκου για να μην υπερθερμαίνονται τα άκρα του δίσκου και στην περίπτωση που κόβετε πλαστικά να μην λιώσουν.
2. **Μην επιχειρήσετε να αφαιρέσετε το υλικό κοπής όταν ο δίσκος κινείται. Περιμένετε μέχρι να ακινητοποιηθεί ο δίσκος πριν πιάσετε τα κομμένα τμήματα.** Οι δίσκοι εξακολουθούν να περιστρέφονται μετά το σβήσιμο του εργαλείου.
3. **Να αποφύγετε την κοπή καρφιών. Ελέγξτε εάν υπάρχουν καρφιά στο ξύλο και αφαιρέστε τα όλα πριν από το κόψιμο.**
4. **Τοποθετήστε το πλατύτερο τμήμα της βάσης του δισκοπρίονου σε εκείνο το τμήμα του τεμαχίου εργασίας που στηρίζεται σταθερά και όχι στο τμήμα εκείνο που θα πέσει όταν θα εκτελεστεί η κοπή. Αν το τεμάχιο εργασίας είναι κοντό ή μικρό, στερεώστε το. ΜΗΝ ΠΡΟΣΠΑΘΗΣΕΤΕ ΝΑ ΚΡΑΤΗΣΕΤΕ ΜΙΚΡΑ ΚΟΜΜΑΤΙΑ ΜΕ ΤΟ ΧΕΡΙ!** (Εικ. 5)
5. **Πριν τοποθετήσετε κάτω το εργαλείο μετά το τέλος της κοπής, βεβαιωθείτε ότι έκλεισε το προστατευτικό και ακινητοποιήθηκε τελείως ο δίσκος.**
6. **Ποτέ μη δοκιμάσετε να πραγματοποιήσετε κοπή έχοντας το δισκοπρίονο στερεωμένο ανάποδα σε μέγανθη. Αυτό είναι εξαιρετικά επικίνδυνο και μπορεί να οδηγήσει σε σοβαρά ατυχήματα.** (Εικ. 6)

7. **Μερικά υλικά περιέχουν χημικές ουσίες που μπορεί να είναι τοξικές. Να προσέχετε ώστε να αποφεύγετε την εισπνοή της σκόνης και την επαφή με το δέρμα. Ακολουθείτε τα δεδομένα ασφαλείας του υλικού που παρέχονται από τον προμηθευτή.**
8. **Μη σταματάτε τους δίσκους με πλευρική πίεση στο δίσκο.**
9. **Μη χρησιμοποιείτε οποιοδήποτε λειαντικό δίσκο.**
10. **Χρησιμοποιήστε μόνο δίσκους που έχουν διάμετρο ίση με αυτή που αναγράφεται πάνω στο εργαλείο ή καθορίζεται στο εγχειρίδιο.** Η χρήση ενός δίσκου λανθασμένου μεγέθους μπορεί να επηρεάσει τη σωστή προστασία του δίσκου ή τη λειτουργία του προστατευτικού, πράγμα που θα μπορούσε να οδηγήσει σε σοβαρό ατομικό τραυματισμό.
11. **Να διατηρείτε τον δίσκο κοφτερό και καθαρό.** Η κόλλα και το ρετινό που έχουν ξεραθεί επάνω στους δίσκους επιβραδύνουν το δισκοπρίονο και αυξάνουν την πιθανότητα κλωστήματος. Διατηρείτε το δίσκο καθαρό βγάζοντάς τον από το εργαλείο, στη συνέχεια καθαρίζοντάς τον με προϊόντα αφαίρεσης κόλλας και ρετινιού, με ζεστό νερό ή κηροζίνη. Μη χρησιμοποιείτε ποτέ βενζίνη.
12. **Να φοράτε προσωπίδα κατά της σκόνης και υλοασπίδες όταν χρησιμοποιείτε το εργαλείο.**
13. **Χρησιμοποιείτε πάντα το δίσκο που προορίζεται για την κοπή του υλικού που πρόκειται να κοπεί.**
14. **Χρησιμοποιήστε μόνο δίσκους, οι οποίοι διαθέτουν σήμανση ταχύτητας ίσης ή μεγαλύτερης από την ταχύτητα που είναι επισημασμένη στο εργαλείο.**
15. **(Για τις Ευρωπαϊκές χώρες μόνο)** Χρησιμοποιείτε πάντοτε δίσκους που συμμορφώνονται με το πρότυπο EN847-1.

ΦΥΛΑΞΤΕ ΑΥΤΕΣ ΤΙΣ ΟΔΗΓΙΕΣ.

⚠️ ΠΡΟΕΙΔΟΠΟΙΗΣΗ: ΜΗΝ αφήσετε την άνεση ή την εξοικειώσή σας με το προϊόν (που αποκτήθηκε από επανειλημμένη χρήση) να αντικαταστήσει την αυστηρή προσήλωση στους κανόνες ασφαλείας του εν λόγω προϊόντος. Η ΛΑΝΘΑΣΜΕΝΗ ΧΡΗΣΗ ή η μη τήρηση των κανόνων ασφαλείας που διατυπώνονται στο παρόν εγχειρίδιο οδηγίων μπορεί να προκαλέσει σοβαρό ατομικό τραυματισμό.

ΠΕΡΙΓΡΑΦΗ ΛΕΙΤΟΥΡΓΙΑΣ

ΠΡΟΣΟΧΗ:

- Να βεβαιώνετε πάντοτε ότι το εργαλείο είναι σβηστό και αποσυνδεδεμένο από το ηλεκτρικό ρεύμα πριν ρυθμίζετε ή ελέγχετε κάποια λειτουργία του.

Ρύθμιση του βάθους κοπής (Εικ. 7)

ΠΡΟΣΟΧΗ:

- Μετά τη ρύθμιση του βάθους κοπής, πάντοτε να σφίγγετε καλά τη βίδα συγκράτησης. Χαλαρώστε τη βίδα συγκράτησης στον οδηγό βάθους και μετακινήστε το στοπ κάτω ορίου δίσκο στο επιθυμητό βάθος στην πλάκα κλίμακα. Στο επιθυμητό βάθος κοπής, σφίξτε καλά τη βίδα συγκράτησης.

Για καλύτερη και ασφαλέστερη κοπή, ρυθμίστε το βάθος κοπής ώστε μόνο ένα δόντι του δίσκου να προεξέχει κάτω από το τεμάχιο εργασίας. Η χρήση κατάλληλου βάθους κοπής συμβάλλει στη μείωση της πιθανότητας επικίνδυνου ΚΛΟΤΣΗΜΑΤΟΣ που μπορεί να προκαλέσει τραυματισμό.

ΠΑΡΑΤΗΡΗΣΗ:

- Η ρύθμιση του στοπ κάτω ορίου δίσκου στο επιθυμητό βάθος στην πλάκα κλίμακα επιτρέπει το πρόχειρο βάθος κοπής.
Για ακριβές βάθος κοπής, μετρήστε την πραγματική προέκταση του δισκοπρίονου κάτω από τη βάση του εργαλείου.

Κουμπί ταχείας διακοπής για βάθος κοπής 2 έως 3 χιλιοστά όταν χρησιμοποιείται ράγα οδήγησης (αξεσουάρ) (Εικ. 8 και 9)

Όταν χρησιμοποιείται ράγα οδήγησης, το εργαλείο αυτό διαθέτει κουμπί ταχείας διακοπής για βάθος κοπής 2 έως 3 χιλιοστά, στο περίβλημα γριναζιού δίπλα από την πίσω λαβή. Αυτό χρησιμοποιείται για να αποφευχθεί η δημιουργία σκλήθρων στο τεμάχιο εργασίας μέσα στην κοπή. Περάστε το τεμάχιο εργασίας μία φορά με αρχικό βάθος κοπής 2 έως 3 χιλιοστά και κατόπιν περάστε το ξανά για την κανονική κοπή.

Για να αποκτήσετε βάθος κοπής 2 έως 3 χιλιοστά, πιέστε το κουμπί διακοπής προς το δισκοπρίονο. Αυτός είναι ένας βολικός τρόπος για την αποφυγή της δημιουργίας σκλήθρων στο τεμάχιο εργασίας.

Για να απελευθερώσετε το βάθος κοπής από τη θέση αυτή για ελεύθερο βάθος κοπής, απλά τραβήξτε το κουμπί προς τα πίσω.

Λοξοτομή (Εικ. 10)

Γωνία προς τα δεξιά (Εικ. 11 και 12)

Περιστρέψτε το θετικό στοπ ώστε το βέλος του να είναι στραμμένο προς μία από τις δύο θέσεις (κάθετα για 22,5°, οριζόντια για 45°). Χαλαρώστε τις βίδες συγκράτησης στο μπροστινό και το πίσω μέρος. Κατόπιν, γείρτε τη βάση εργαλείου έως ότου σταματήσει και ασφαλίστε τη βάση με τις βίδες συγκράτησης.

Για να έχετε γωνία λοξοτομής 48°, μετακινήστε το μοχλό στην ένδειξη 48° έως το τέρμα. Περιστρέψτε το θετικό στοπ ώστε ότου το βέλος του να είναι στραμμένο προς την οριζόντια θέση. Κατόπιν, γείρτε τη βάση εργαλείου έως ότου σταματήσει και ασφαλίστε τη βάση με τις βίδες συγκράτησης.

Γωνία προς τα αριστερά (Εικ. 13)

Μπορείτε να γείρτε το εργαλείο προς τα αριστερά κατά γωνία λοξοτομής 1°. Για να έχετε γωνία λοξοτομής 1°, χαλαρώστε τις βίδες συγκράτησης στο μπροστινό και το πίσω μέρος, γείρτε τη λαβή εργαλείου λίγο προς τα δεξιά και σπρώξτε τους δύο μοχλούς αλλαγής γωνίας λοξοτομής ταυτόχρονα προς την κατεύθυνση του βέλους με την ένδειξη -1. Και κατόπιν γείρτε τη λαβή εργαλείου προς τα αριστερά ενώ πιέζετε αυτούς τους δύο μοχλούς ταυτόχρονα. Ασφαλίστε τη βάση με τις βίδες συγκράτησης.

ΠΑΡΑΤΗΡΗΣΗ:

- Εάν επιστρέψετε το δίσκο στη δεξιά γωνία, ο μοχλός αλλαγής εξαναγκάζεται να επιτρέψει αυτόματα στις 0°.

Επίβλεψη (Εικ. 14)

Όταν χρησιμοποιείτε το εργαλείο χωρίς ράγα οδήγησης (αξεσουάρ)

Για ευθείες κοπές, ευθυγραμμίστε τη θέση Α στο μπροστινό μέρος της βάσης με τη γραμμή κοπής. Για λοξοτομές 45°, ευθυγραμμίστε τη θέση Β με αυτήν.

Όταν χρησιμοποιείτε το εργαλείο με ράγα οδήγησης (αξεσουάρ)

Για ευθείες κοπές και λοξοτομές 45°, να ευθυγραμμίζετε πάντα τη θέση Α στο μπροστινό μέρος της βάσης με τη γραμμή κοπής.

Δράση διακόπτη (Εικ. 15)

ΠΡΟΣΟΧΗ:

- Πριν συνδέετε το εργαλείο, πάντοτε να ελέγχετε ότι η σκανδάλη-διακόπτης ενεργοποιείται κανονικά και επιστρέφει στη θέση OFF όταν την αφήνετε.

Για να μην πιέζεται η σκανδάλη-διακόπτης κατά λάθος, παρέχεται ένα κουμπί ασφάλισης. Για να ξεκινήσετε τη λειτουργία του εργαλείου, πιέστε το κουμπί ασφάλισης και πατήστε τη σκανδάλη-διακόπτης.

Για να σταματήσετε το εργαλείο, αφήστε τη σκανδάλη-διακόπτη.

Επιλογέας ρύθμισης ταχύτητας (Εικ. 16)

Η ταχύτητα του εργαλείου μπορεί να ρυθμιστεί περιστρέφοντας τον επιλογέα ρύθμισης. Λαμβάνετε υψηλότερη ταχύτητα όταν περιστρέψετε τον επιλογέα προς την κατεύθυνση του αριθμού 6, ενώ λαμβάνετε χαμηλότερη ταχύτητα όταν περιστρέψετε τον επιλογέα προς την κατεύθυνση του αριθμού 1. Ανατρέξτε στον πίνακα για να επιλέξετε τη σωστή ταχύτητα για το τεμάχιο εργασίας που θα κοπεί. Ωστόσο, η κατάλληλη ταχύτητα ενδεχομένως να διαφέρει ανάλογα με τον τύπο ή το πάχος του τεμαχίου εργασίας. Γενικά, οι υψηλότερες ταχύτητες σας επιτρέπουν να κόβετε τεμάχια εργασίας πιο γρήγορα, αλλά μειώνεται η διάρκεια ζωής του δίσκου.

| Αριθμός | min ⁻¹ |
|---------|-------------------|
| 1 | 2.200 |
| 2 | 2.700 |
| 3 | 3.800 |
| 4 | 4.900 |
| 5 | 6.000 |
| 6 | 6.400 |

015770

ΠΡΟΣΟΧΗ:

- Ο επιλογέας ρύθμισης ταχύτητας έχει τη δυνατότητα να περιστρέφεται έως το 6 και ξανά στο 1. Μην τον εξαναγκάσετε πέρα από το 6 ή το 1, αλλιώς μπορεί να μη λειτουργεί πλέον η ρύθμιση ταχύτητας.
- Ο επιλογέας ρύθμισης ταχύτητας δεν προορίζεται για τη χρήση δισκοπρίονων με προδιαγραφές χαμηλής ταχύτητας αλλά για την απόκτηση ταχύτητας που είναι κατάλληλη για το υλικό του τεμαχίου εργασίας. Χρησιμοποιείτε μόνο δίσκους οι οποίοι έχουν τουλάχιστον την ονομαστική μέγιστη ταχύτητα χωρίς φορτίο που αναφέρεται στα ΤΕΧΝΙΚΑ ΧΑΡΑΚΤΗΡΙΣΤΙΚΑ.

Τα εργαλεία που είναι εξοπλισμένα με ηλεκτρονική λειτουργία είναι εύκολα στη χρήση λόγω των ακόλουθων χαρακτηριστικών.

Προστατευτικό υπερφόρτωσης

Όταν υπερφορτώνεται το εργαλείο και το ηλεκτρικό ρεύμα βρίσκεται πάνω από ένα ορισμένο επίπεδο, το εργαλείο σταματά αυτόματα ώστε να προστατευτεί το μοτέρ.

Έλεγχος σταθερής ταχύτητας

Ο ηλεκτρονικός έλεγχος ταχύτητας χρησιμοποιείται για να έχετε σταθερή ταχύτητα. Είναι δυνατό να έχετε ένα καθαρό τελείωμα επειδή η ταχύτητα περιστροφής διατηρείται σταθερή ακόμη και κάτω από συνθήκες φόρτου.

Χαρακτηριστικό ομαλής εκκίνησης

Χρησιμοποιήστε την ομαλή εκκίνηση λόγω των απότομων κραδασμών κατά την εκκίνηση.

ΣΥΝΑΡΜΟΛΟΓΗΣΗ

ΠΡΟΣΟΧΗ:

- Να βεβαιώνετε πάντοτε ότι το εργαλείο είναι σβηστό και αποσυνδεδεμένο από το ηλεκτρικό ρεύμα πριν εκτελέσετε οποιαδήποτε εργασία σε αυτό.

Αποθήκευση εξαγωνικού άλεν (Εικ. 17)

Το εξαγωνικό άλεν βρίσκεται αποθηκευμένο στο εργαλείο. Για να βγάλετε το εξαγωνικό άλεν, απλά τραβήξτε το προς τα έξω.

Για να τοποθετήσετε το εξαγωνικό άλεν, τοποθετήστε το στη λαβή και εισάγετέ το όσο περισσότερο γίνεται.

Αφαίρεση ή τοποθέτηση του δίσκου

ΠΡΟΣΟΧΗ:

- Μη χρησιμοποιείτε δισκοπρίονα που δεν συμμορφώνονται με τα χαρακτηριστικά που καθορίζονται σε αυτές τις οδηγίες.
- Χρησιμοποιείτε μόνο δίσκους οι οποίοι έχουν τουλάχιστον την ονομαστική μέγιστη ταχύτητα χωρίς φορτίο που αναφέρεται στα ΤΕΧΝΙΚΑ ΧΑΡΑΚΤΗΡΙΣΤΙΚΑ.
- Βεβαιωθείτε ότι ο δίσκος είναι τοποθετημένος με τα δόντια στραμμένα προς τα πάνω στο μπροστινό μέρος του εργαλείου.
- Να χρησιμοποιείτε μόνο το παρεχόμενο άλεν της Makita για να τοποθετήσετε ή για να αφαιρέσετε το δίσκο.

Για να αφαιρέσετε το δίσκο, πιέστε το κουμπί ασφάλισης για να απασφαλίσετε το στοπ άνω ορίου. (Εικ. 18)

Περιστρέψτε το μοχλό κλειδώματος για να κλειδώσετε την κεφαλή του πριονιού για την αλλαγή ενός δίσκου.

(Εικ. 19)

Ενώ πατάτε το κουμπί ασφάλισης και περιστρέψτε το μοχλό κλειδώματος, χαμηλώστε τη λαβή ώστε η περόνη κλειδώματος να προσαρμοστεί στην εγκοπή που σχηματίζεται από το μοχλό κλειδώματος και τον οδηγό βάθους με την πλάκα κλίμακα. Βεβαιωθείτε ότι η περόνη κλειδώματος προσαρμόζεται στην εγκοπή.

Πιέστε πλήρως το κλειδίωμα άξονα ώστε να μην μπορεί να περιστραφεί ο δίσκος και χρησιμοποιήστε το άλεν για να χαλαρώσετε το εξαγωνικό μπουλόνι γυρίζοντάς το αριστερόστροφα. Κατόπιν, αφαιρέστε το εξαγωνικό μπουλόνι, την εξωτερική φλάντζα και το δίσκο. (Εικ. 20)

Για να τοποθετήσετε το δίσκο, ακολουθήστε τη διαδικασία αφαίρεσης με αντίστροφη σειρά. ΒΕΒΑΙΩΘΕΙΤΕ ΝΑ ΣΦΙΞΕΤΕ ΚΑΛΑ ΤΟ ΕΞΑΓΩΝΙΚΟ ΜΠΟΥΛΟΝΙ ΓΥΡΙΖΟΝΤΑΣ ΤΟ ΔΕΞΙΟΣΤΡΟΦΑ. (Εικ. 21)

Καθαρισμός προστατευτικού δίσκου

Κατά την αλλαγή του κυκλικού δίσκου, βεβαιωθείτε επίσης ότι έχετε καθαρίσει το προστατευτικό δίσκο από τα συσσωρευμένα πριονίδια, όπως αναφέρεται στην ενότητα Συντήρηση. Ωστόσο, οι ενέργειες αυτές δεν αντικαθιστούν την ανάγκη για έλεγχο της λειτουργίας του προστατευτικού πριν από κάθε χρήση.

Σύνδεση ηλεκτρικής σκούπας (Εικ. 22)

Όταν θέλετε να εκτελέσετε κοπές καθαρά, συνδέστε την ηλεκτρική σκούπα της Makita στο εργαλείο που διαθέτετε. Συνδέστε τον εύκαμπτο σωλήνα της ηλεκτρικής σκούπας στη θύρα σκόνης, όπως απεικονίζεται.

ΛΕΙΤΟΥΡΓΙΑ

Κοπή τομής (κανονικό πριόνισμα) (Εικ. 23)

ΠΡΟΣΟΧΗ:

- Βεβαιωθείτε να μετακινείτε ομαλά το εργαλείο προς τα μπροστά σε ευθεία γραμμή. Αν πιέσετε ή συστρέψετε το εργαλείο, θα έχει ως αποτέλεσμα την υπερθέρμανση του μοτέρ και επικίνδυνο κλότσημα, που πιθανώς να προκαλέσει σοβαρό τραυματισμό.
- Μην πλησιάζετε οποιοδήποτε μέρος του σώματός σας κάτω από τη βάση του εργαλείου όταν πραγματοποιείτε κοπή τομής, ιδιαίτερα κατά την εκκίνηση. Εάν κάνετε κάτι τέτοιο, μπορεί να προκληθούν σοβαροί προσωπικοί τραυματισμοί. Ο δίσκος είναι εκτεθειμένος κάτω από τη βάση εργαλείου.

Να κρατάτε το εργαλείο σταθερά. Το εργαλείο παρέχεται με μπροστινή και πίσω λαβή. Να χρησιμοποιείτε και τις δύο λαβές για να έχετε καλύτερο κράτημα του εργαλείου. Αν κρατάτε το δισκοπρίονο και με τα δύο χέρια, δεν είναι δυνατό να κοπούν από το δίσκο. Θέστε το μπροστινό μέρος της βάση στο τεμάχιο εργασίας που πρόκειται να κοπεί χωρίς ο δίσκος να ακουμπήσει καθόλου. Κατόπιν, ωθήστε το κουμπί ασφάλισης προς τα μέσα, ανάψτε το εργαλείο και περιμένετε έως ότου ο δίσκος να αποκτήσει την πλήρη ταχύτητα του. Τώρα, πιέστε προς τα κάτω την κεφαλή πριονιού αργά έως το προκαθορισμένο βάθος κοπής και απλά μετακινήστε το εργαλείο προς τα εμπρός πάνω στην επιφάνεια του τεμαχίου εργασίας, κρατώντας το επίπεδο και προωθώντας το ομαλά μέχρι να ολοκληρωθεί η κοπή.

Για να πετύχετε καθαρές κοπές, κρατήστε τη γραμμή κοπής ευθεία και την ταχύτητα προώθησης σταθερή. Αν η κοπή δεν ακολουθήσει σωστά την προοριζόμενη γραμμή κοπής, μην επιχειρήσετε να γυρίσετε ή να πιέσετε το εργαλείο ξανά στη γραμμή κοπής. Αυτό ενδεχομένως να προκαλέσει ο δίσκος να ακουμπήσει και να οδηγήσει σε επικίνδυνο κλότσημα και πιθανώς σοβαρό τραυματισμό. Αφήστε το διακόπτη, περιμένετε να ακινητοποιηθεί ο δίσκος και κατόπιν αποσύρτε το εργαλείο.

Ευθυγραμμίστε ξανά το εργαλείο σε καινούργια γραμμή κοπής και ξεκινήστε ξανά την κοπή. Προσπαθήστε να αποφύγετε τη θέση, η οποία αφήνει εκτεθειμένο το χειριστή σε θραύσματα που εκτοξεύονται από το

δισκοπρίνο. Χρησιμοποιήστε προστατευτικά ματιών για την αποφυγή τραυματισμού.

Όταν χρησιμοποιείτε ράγα οδήγησης (αξεσουάρ) (Εικ. 24 και 25)

Τοποθετήστε το εργαλείο στο πίσω άκρο της ράγας οδήγησης. Περιστρέψτε τις δύο βίδες ρύθμισης στη βάση εργαλείου ώστε το εργαλείο να ολισθαίνει ομαλά χωρίς εμπόδια. Να κρατάτε το εργαλείο σταθερά. Το εργαλείο παρέχεται με μπροστινή και πίσω λαβή. Να χρησιμοποιείτε και τις δύο λαβές για να έχετε καλύτερο κράτημα του εργαλείου. Ανάψτε το εργαλείο, πιέστε το προς τα κάτω στο προκαθορισμένο βάθος κοπής και κόψτε το προστατευτικό σκλήθρων κατά ολόκληρο το μήκος του με μία κίνηση. Το άκρο του προστατευτικού σκλήθρων αντιστοιχεί στο άκρο κοπής. Όταν πραγματοποιείτε λοξοτομή με τη ράγα οδήγησης, ολισθήστε το κυλιόμενο μοχλό στη βάση του εργαλείου με τον τρόπο ώστε να μην πέσει το εργαλείο στο πλαϊνό του. Μετακινήστε τον κυλιόμενο μοχλό στη βάση του εργαλείου προς την κατεύθυνση του βέλους ώστε να δεσμεύει την υποκείμενη εγκοπή στη ράγα οδήγησης.

Προστατευτικό κοπής (Προαιρετικό αξεσουάρ) (αξεσουάρ) (Εικ. 26)

Ο πρακτικός οδηγός κομματιού σας επιτρέπει να κάνετε ευθείες κοπές με μεγάλη ακρίβεια. Απλά ολισθήστε τον οδηγό κομματιού εφαρμοστά επάνω στη πλευρά του τεμαχίου εργασίας και ασφαλίστε τον στην κατάλληλη θέση με τις βίδες στο μπροστινό και το πίσω μέρος της βάσης. Αυτό κάνει επίσης δυνατή την επαναλαμβανόμενη κοπή κομματιών σταθερού πλάτους. Η αναστροφή του οδηγού κομματιού (οδηγός χάρακας) επίσης λειτουργεί ως δευτερεύουσα βάση για το εργαλείο.

Βαθιά κοπή (αποκοπή) (Εικ. 27)

ΠΡΟΕΙΔΟΠΟΙΗΣΗ:

- Για να αποφύγετε το κλότσημα, βεβαιωθείτε να τηρείτε τις ακόλουθες οδηγίες.

Όταν χρησιμοποιείτε το εργαλείο χωρίς ράγα οδήγησης

Τοποθετήστε το εργαλείο επάνω στο τεμάχιο εργασίας με το πίσω άκρο της βάσης εργαλείου επάνω σε σταθερό στοπ ή ισοδύναμο εξάρτημα του χειριστή.

Όταν χρησιμοποιείτε το εργαλείο με ράγα οδήγησης

Τοποθετήστε το εργαλείο επάνω στη ράγα οδήγησης με το πίσω άκρο της βάσης εργαλείου επάνω σε σταθερό στοπ ή ισοδύναμο εξάρτημα, το οποίο συγκρατείται επάνω στη ράγα οδήγησης. Να κρατάτε το εργαλείο σταθερά με το ένα χέρι στην μπροστινή λαβή και το άλλο χέρι στη λαβή του εργαλείου. Κατόπιν, ωθήστε το κουμπί απασφάλισης προς τα μέσα, ανάψτε το εργαλείο και περιμένετε έως ότου ο δίσκος να αποκτήσει την πλήρη ταχύτητά του. Τώρα, πιέστε προς τα κάτω την κεφαλή πριονιού αργά έως το καθορισμένο βάθος κοπής και απλά μετακινήστε το εργαλείο προς τα μπροστά έως την επιθυμητή θέση βαθιάς κοπής.

ΠΑΡΑΤΗΡΗΣΗ:

- Οι ενδείξεις στο πλαϊνό του προστατευτικού δίσκου δείχνουν το μπροστινό και το πίσω σημείο κοπής του δισκοπρίνου (Α για διάμετρο 160 mm και Β για

διάμετρο 165 mm) στο μέγιστο βάθος κοπής και με χρήση της ράγας οδήγησης. (Εικ. 28)

Διάταξη οδήγησης (αξεσουάρ)

Η χρήση του μετρητή απόκλισης (αξεσουάρ) επιτρέπει ακριβείς κοπές με γωνίες και εργασίες προσαρτήματος. Η χρήση της μέγκενης (αξεσουάρ) εξασφαλίζει τη σταθερή συγκράτηση του τεμαχίου εργασίας στον πάγκο.

ΣΥΝΤΗΡΗΣΗ

ΠΡΟΣΟΧΗ:

- Να βεβαιώνετε πάντοτε ότι το εργαλείο είναι σβηστό και αποσυνδεδεμένο από το ηλεκτρικό ρεύμα πριν εκτελέσετε οποιαδήποτε εργασία ελέγχου ή συντήρησης σε αυτό.
- **Καθαρίστε το προστατευτικό για να εξασφαλίσετε ότι δεν υπάρχει συσσωρευμένη πριονόσκονη, που ενδέχεται να παρεμποδίσει τη λειτουργία του προστατευτικού συστήματος.** Ένα βρώμικο προστατευτικό σύστημα μπορεί να μειώσει την εύρυθμη λειτουργία, πράγμα που θα μπορούσε να οδηγήσει σε σοβαρό τραυματισμό. Ο πιο αποτελεσματικός τρόπος για να επιτευχθεί αυτός ο καθαρισμός είναι η χρήση πεπιεσμένου αέρα. **Αν πετάγεται η σκόνη με τον αέρα έξω από το προστατευτικό φροντίστε να χρησιμοποιήσετε τα κατάλληλα προστατευτικά μέσα για την αναπνοή και τα μάτια.**
- Μην χρησιμοποιήσετε βενζίνη, βενζόλη, διαλυτικό, αλκοόλη ή κάτι παρόμοιο. Μπορεί να προκληθεί αποχρωματισμός, παραμόρφωση ή ρωγμές.

Ρύθμιση για ακρίβεια κοπής 90° και 45° (κάθετη κοπή και κοπή 45°) (Εικ. 29 και 30)

Αυτή η ρύθμιση έχει γίνει στο εργοστάσιο. Εάν όμως απορρυθμιστεί, μετακινήστε τις βίδες ρύθμισης με τη βοήθεια εξαγωνικού άλεν ενώ ελέγχετε ότι η γωνία μεταξύ της βάσης και του δίσκου είναι 90° ή 45° με τη χρήση γεωμετρικού τριγώνου, τετραγώνου χάρακα κτλ.

ΠΑΡΑΤΗΡΗΣΗ:

- Δεν είναι δυνατή η ρύθμιση για ακρίβεια κοπής 22,5°, 48° και -1°.

Αλλαγή καρβουνακίων (Εικ. 31 και 32)

Να αφαιρείτε και να ελέγχετε τακτικά τα καρβουνάκια. Να αντικαθιστάτε τα καρβουνάκια όταν έχουν φθαρεί έως την ένδειξη ορίου. Να διατηρείτε τα καρβουνάκια καθαρά και ελεύθερα για να γλιστρούν στις υποδοχές. Πρέπει να αλλάζετε ταυτόχρονα και τα δύο καρβουνάκια. Να χρησιμοποιείτε μόνο καρβουνάκια ίδιου τύπου. Με τη βοήθεια ενός κατασαβιδιού, βγάλτε τα καπάκια της υποδοχής για τα καρβουνάκια. Βγάλτε τα φθαμένα καρβουνάκια, τοποθετήστε τα καινούργια και ασφαλίστε τα καπάκια της υποδοχής για τα καρβουνάκια. Για να διατηρείται η ΑΣΦΑΛΕΙΑ και η ΑΞΙΟΠΙΣΤΙΑ του προϊόντος, οι εργασίες επισκευής, καθώς και οποιαδήποτε άλλη εργασία συντήρησης ή ρύθμισης, θα πρέπει να εκτελούνται σε εξουσιοδοτημένα κέντρα εξυπηρέτησης της Makita, και πάντοτε με τη χρήση ανταλλακτικών της Makita.

ΠΡΟΑΙΡΕΤΙΚΑ ΑΞΕΣΟΥΑΡ

ΠΡΟΣΟΧΗ:

- Συνιστάται η χρήση αυτών των αξεσουάρ ή εξαρτημάτων με το εργαλείο της Makita, όπως περιγράφεται στο παρόν εγχειρίδιο. Αν χρησιμοποιήσετε άλλα αξεσουάρ ή εξαρτήματα μπορεί να παρουσιαστεί κίνδυνος για πρόκληση τραυματισμού προσώπων. Να χρησιμοποιείτε τα αξεσουάρ και τα εξαρτήματα μόνο για το σκοπό για τον οποίο προορίζονται.

Αν χρειάζεστε κάποια βοήθεια ή περισσότερες πληροφορίες σχετικά με τα αξεσουάρ αυτά, απευθυνθείτε στο πλησιέστερο κέντρο εξυπηρέτησης της Makita.

- Δίσκοι
- Ράγα οδήγησης
- Οδηγός κομματιού (Οδηγός χάρακας)
- Μετρητής απόκλισης
- Μέγκενι
- Εξαγωνικό άλεν
- Σετ φύλλου για ράγα οδήγησης
- Σετ λαστιχένιου φύλλου για ράγα οδήγησης
- Σετ φύλλου θέσης για ράγα οδήγησης

ΣΗΜΕΙΩΣΗ:

- Ορισμένα από τα στοιχεία της λίστα μπορεί να περιέχονται στην συσκευασία του εργαλείου ως κανονικά αξεσουάρ. Αυτά ενδέχεται να διαφέρουν από χώρα σε χώρα.

Θορύβος

ENG905-1

Το σύνθηες σταθμισμένο επίπεδο θορύβου που έχει καθοριστεί σύμφωνα με την EN62841-2-5:

- Επίπεδο ηχητικής πίεσης (L_{pA}): 95 dB (A)
- Επίπεδο ηχητικής ισχύος (L_{WA}): 103 dB (A)
- Αβεβαιότητα (K): 3 dB (A)

ENG907-1

- Η δηλωμένη τιμή(ές) εκπομπής θορύβου έχει μετρηθεί σύμφωνα με την πρότυπη μέθοδο δοκιμής και μπορεί να χρησιμοποιηθεί για τη σύγκριση ενός εργαλείου με κάποιο άλλο.
- Η δηλωμένη τιμή(ές) εκπομπής θορύβου μπορεί να χρησιμοποιηθεί και στην προκαταρκτική αξιολόγηση της έκθεσης.

ΠΡΟΕΙΔΟΠΟΙΗΣΗ:

- **Να φοράτε ωτοασπίδες.**
- **Η εκπομπή θορύβου κατά τη χρήση του ηλεκτρικού εργαλείου σε πραγματικές συνθήκες μπορεί να διαφέρει από τη δηλωμένη τιμή(ές) ανάλογα με τους τρόπους χρήσης του εργαλείου, ιδιαίτερα το είδος του τεμαχίου εργασίας που υπόκειται επεξεργασία.**
- **Φροντίστε να λάβετε τα κατάλληλα μέτρα προστασίας του χειριστή βάσει ενός υπολογισμού της έκθεσης σε πραγματικές συνθήκες χρήσης (λαμβάνοντας υπόψη όλες τις συνιστώσες του κύκλου λειτουργίας όπως τους χρόνους που το εργαλείο είναι εκτός λειτουργίας και όταν βρίσκεται σε αδρανή λειτουργία πέραν του χρόνου ενεργοποίησης).**

Δόνηση

ENG900-1

Η συνολική τιμή δόνησης (διανυσματικό άθροισμα τριών αξόνων) που έχει καθοριστεί σύμφωνα με την EN62841-2-5:

Κατάσταση λειτουργίας: κοπή ξύλου
Εκπομπή δόνησης ($a_{h, w}$): 2,5 m/s² ή λιγότερο
Αβεβαιότητα (K): 1,5 m/s²

Κατάσταση λειτουργίας: κοπή μετάλλου
Εκπομπή δόνησης ($a_{h, m}$): 2,5 m/s² ή λιγότερο
Αβεβαιότητα (K): 1,5 m/s²

ENG901-2

- Η δηλωμένη τιμή(ές) συνολικών κραδασμών έχει μετρηθεί σύμφωνα με την πρότυπη μέθοδο δοκιμής και μπορεί να χρησιμοποιηθεί για τη σύγκριση ενός εργαλείου με κάποιο άλλο.
- Η δηλωμένη τιμή(ές) συνολικών κραδασμών μπορεί να χρησιμοποιηθεί και στην προκαταρκτική αξιολόγηση της έκθεσης.

ΠΡΟΕΙΔΟΠΟΙΗΣΗ:

- **Η εκπομπή κραδασμών κατά τη χρήση του ηλεκτρικού εργαλείου σε πραγματικές συνθήκες μπορεί να διαφέρει από τη δηλωμένη τιμή(ές) εκπομπής ανάλογα με τους τρόπους χρήσης του εργαλείου, ιδιαίτερα το είδος του τεμαχίου εργασίας που υπόκειται επεξεργασία.**
- **Φροντίστε να λάβετε τα κατάλληλα μέτρα προστασίας του χειριστή βάσει ενός υπολογισμού της έκθεσης σε πραγματικές συνθήκες χρήσης (λαμβάνοντας υπόψη όλες τις συνιστώσες του κύκλου λειτουργίας όπως τους χρόνους που το εργαλείο είναι εκτός λειτουργίας και όταν βρίσκεται σε αδρανή λειτουργία πέραν του χρόνου ενεργοποίησης).**

Δήλωση Συμμόρφωσης

Μόνο για χώρες της Ευρώπης

Οι Δηλώσεις Συμμόρφωσης περιλαμβάνονται στο Παράρτημα Α στο παρόν εγχειρίδιο οδηγιών.

Makita Europe N.V.

Jan-Baptist Vinkstraat 2, 3070 Kortenberg, Belgium

Makita Corporation

3-11-8, Sumiyoshi-cho, Anjo, Aichi 446-8502 Japan

www.makita.com

884683Q999

ALA

